

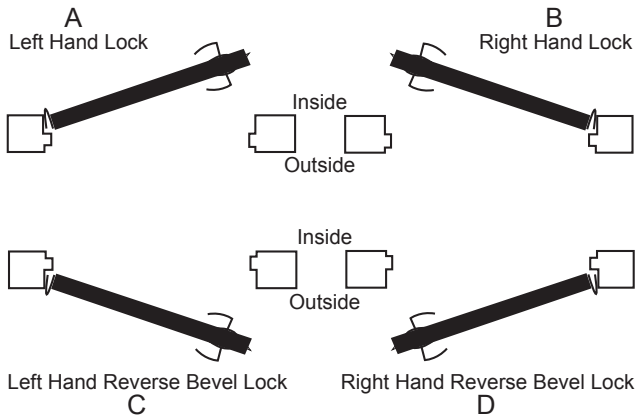
Bedford Heights
 26201 Richmond Rd.
 216-591-0150
 F. 216-591-0471

Mon.-Fri. 9-2, Tues. & Thurs. open til 8pm.



Crocker Park
 975 Crocker Rd.
 440-808-0315
 F. 440-808-8638
 Mon.-Fri. 9-2, Tues. open til 8pm.

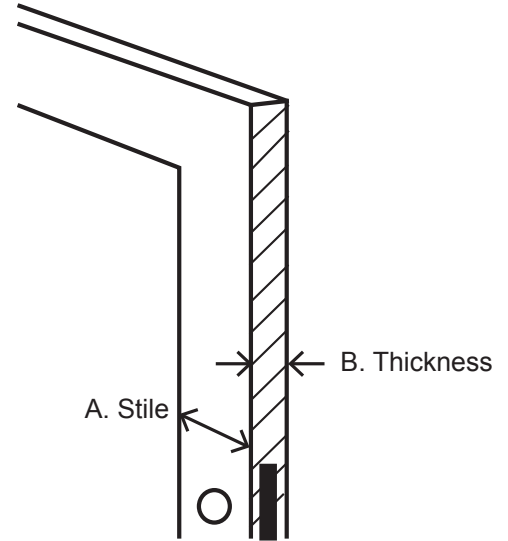
1. Door Handing



How does your door open?

A B C D

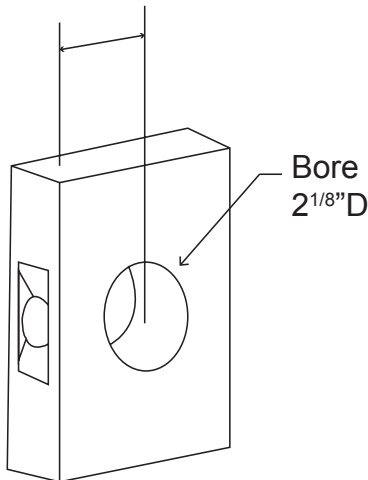
2. Thickness of Door & Stile



A. Stile Thickness _____

B. Door Thickness _____

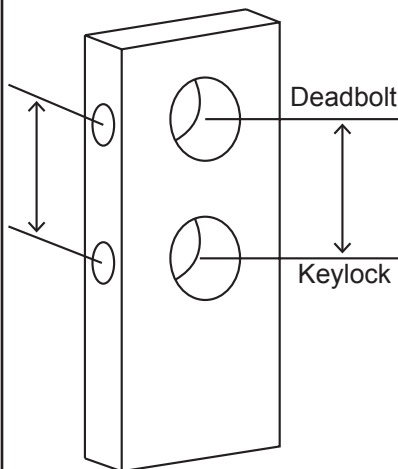
3. Backset



Measure edge of door to center of bore hole.

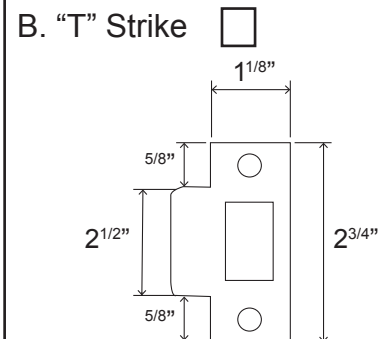
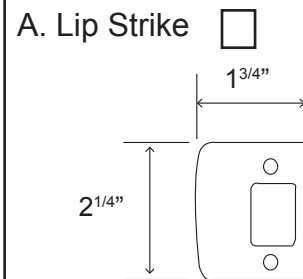
$2\frac{3}{8}$ " $2\frac{3}{4}$ "

4. Center to Center



Measure center to center. Deadbolt hole to keylock hole.

5. Strike



6. Type of Door:

Passage Entrance Closet Bathroom Double Patio Bedroom

Name: _____ Email: _____
 Address: _____ City: _____ Zip: _____
 Phone Number: _____