



FIBERGLASS TS 3660 60 X 36 X 76

One-piece, gelcoated fiberglass tub shower with 16" apron, 13" deep sump, two large top corner shelves, standard acrylic handle and wide soap dish. Right or left-hand drain, **optional wall reinforcement and/or grab bar**. Product also available with above-the-floor-rough feature.

No	Model	Dimensions in.	Approx. Weight lb	Pkg ft ³	List Price	
					Std Color(s)	Non-std Colors
141227-R-000	ONE-PIECE TUB SHOWER ^{1 2} Right-hand drain	59 7/8 X 35 7/8 X 76 5/8 Door opening: 56 x 59 1/8	N/A	N/A	\$ 695	\$ 895
141227-L-000	ONE-PIECE TUB SHOWER ^{1 2} Left-hand drain					

Water Capacity: N/A

HOMESTEAD WHIRLPOOL SYSTEM

No	Model	Dimensions in.	Approx. Weight lb	Pkg ft ³	List Price	
					Std Color(s)	Non-std Colors
141227-R-058	HOMESTEAD WHIRLPOOL w/AIR SWITCH ³ Right-hand drain	59 7/8 X 35 7/8 X 76 5/8 Door opening: 56 x 59 1/8	N/A	N/A	\$ 1,470	N/A
141227-L-058	HOMESTEAD WHIRLPOOL w/AIR SWITCH ³ Left-hand drain					

COMMON OPTIONS

No	Description	Dimensions in.	Approx. Weight lb	Pkg ft ³	List Price
OPT10109-084	12" Handle	N/A	N/A	N/A	\$ 98
OPT10109-105	Available finishes: Chrome (084) and Brushed Nickel (105)				
OPT20034-L-001	24 in. Vertical Straight Grab Bar with textured finish Left Wall ⁴	24 X 1 1/4	N/A	N/A	\$ 190
OPT20034-L-084	Available finishes: White (001), Chrome (084) and Stainless Steel (106)				
OPT20034-R-001	24 in. Vertical Straight Grab Bar with textured finish Right Wall ⁴				
OPT20034-R-084	Available finishes: White (001), Chrome (084) and Stainless Steel (106)				
OPT20034-R-106	Available finishes: White (001), Chrome (084) and Stainless Steel (106)				
OPT20035-B-001	18 in. Horizontal Straight Grab Bar with textured finish Back Wall ⁴				
OPT20035-B-084	Available finishes: White (001), Chrome (084) and Stainless Steel (106)				
OPT20035-L-001	18 in. Vertical Straight Grab Bar with textured finish Left Wall ⁴				
OPT20035-L-084	Available finishes: White (001), Chrome (084) and Stainless Steel (106)				
OPT20035-L-106	Available finishes: White (001), Chrome (084) and Stainless Steel (106)				
OPT20035-R-001	18 in. Vertical Straight Grab Bar with textured finish Right Wall ⁴				
OPT20035-R-084	Available finishes: White (001), Chrome (084) and Stainless Steel (106)				
OPT20035-R-106	Available finishes: White (001), Chrome (084) and Stainless Steel (106)				
OPT20197	Left Wall reinforcement for future grab bar installation ⁵	N/A	N/A	N/A	\$ 29
OPT20198	Right Wall reinforcement for future grab bar installation ⁵	N/A	N/A	N/A	\$ 29
OPT20199	Back Wall reinforcement for future grab bar installation ⁵	N/A	N/A	N/A	\$ 40

WHIRLPOOL OPTIONS

No	Description	Dimensions in.	Approx. Weight lb	Pkg ft ³	List Price
OPT10172	Factory-Installed In-Line Heater	N/A	N/A	N/A	\$ 387
OPT10174	MVPMP - Pump Opposite Std. Location	N/A	N/A	N/A	\$ 62



SESSION™ 59" - TWO-PANEL FRAMELESS SLIDING DOOR

No	Model	Finish	Approx. Weight lb	Pkg ft ³	List Price
105411-900-084	Clear tempered glass	Chrome	83	3.50	\$ 483
105411-900-171		Satin Nickel			\$ 530

Radius: N/A
Width: minimum: 54 in. maximum: 59 1/2 in.
Standard Height: 57 3/8 in.
Access:
Door Opening: Lateral
Adjustment: for out-of-square walls



MIKA™ 59" - TWO-PANEL SLIDING DOOR

No	Model	Finish	Approx. Weight lb	Pkg ft ³	List Price
105409-965-170	Aquatex	Mat Silver	45	N/A	\$ 236

Radius: N/A
Width: minimum: 54 in. maximum: 59 1/2 in.
Standard Height: 55 1/2 in.
Access:
Door Opening: Lateral
Adjustment: for out-of-square walls

1: This product is available with Above-the-floor-rough. Please specify ABFLR if applicable.

2: Handle for standard color tub showers are color-coordinated. Handles with metallic finish can be added (additional charge applies). For non-standard color tub showers, please specify handle color (additional charge applies for metallic finishes).

3: Components for standard color tub showers equipped with system are color-coordinated.

4: Please see technical drawings for grab bar positioning.

5: Please see technical drawings for reinforcement positioning and size.

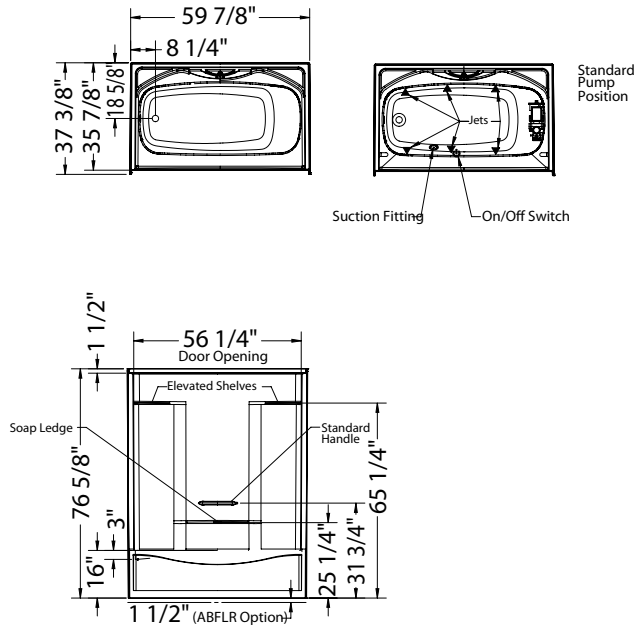


FILIGREE

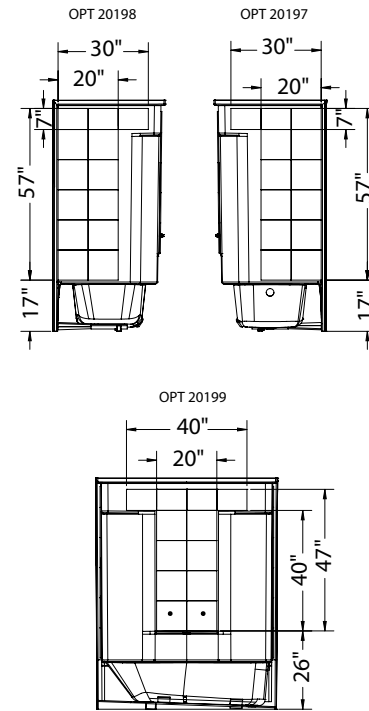
No	Model	Finish	Approx. Weight lb	Pkg ft ³	List Price
105477-900-084	Clear tempered glass	Chrome	N/A	N/A	\$ 462
105477-900-171		Satin Nickel			\$ 499

Radius: N/A
 Width: minimum: 54 in. maximum: 59 1/2 in.
 Standard Height: 57 3/8 in.
 Access:
 Door Opening: Lateral
 Adjustment: for out-of-square walls

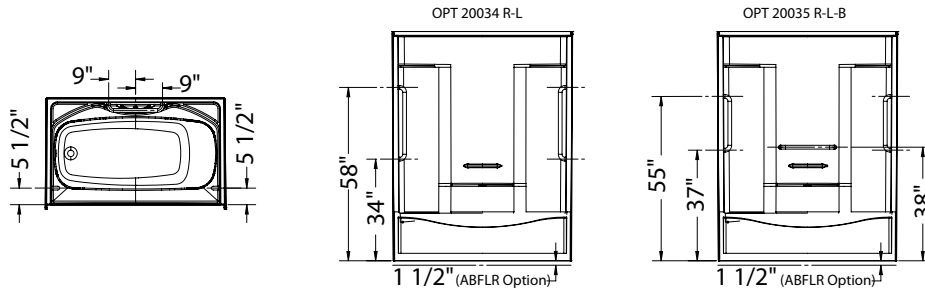
STANDARD



REINFORCEMENT BACKING



GRAB BARS



All dimensions are approximate. Structure measurements must be verified against the unit to ensure proper fit.