



September 20, 2011
No. 2011-03

TO: Zephyr Distribution
FROM: Jeremy Snider
SUBJECT: **RED006 AIRFLOW REDUCER**

Dear Distributor Partners,

With the advent of new CFM regulations we have received numerous requests for CFM reducers on key hood models. Some regions have CFM requirements of 599 CFM or less which is just below our popular 600 CFM models.

Therefore we are launching RED006 to reduce CFM by 25 in many of our hoods with 6" round blower collars. This easy-to-install airflow reducer sits on top of the blower collar and slightly reduces CFM making the hood compliant with this 599 CFM rule.

We understand RED006 may not solve all concerns in all markets so we are currently in the process of developing a more comprehensive passive make up air kit. This make up air kit will be compatible with all models for use in all markets. In the meantime, RED006 will address some of these needs.

The Zephyr Team

RED006 HOOD COMPATIBILITY AND AVAILABILITY

- All Arc and Cheng Collection hoods (*with a CBI-600A internal blower*)
- Wall & Under-Cabinet Hoods: AK70, AK75 (*with CBI-600B internal blower*), ZAG, ZAN, ZFI, ZRO
- Island Hoods: ZAZ, ZRM
- Power Packs: AK81, AK83 (*with CBI-600B blower*)
- Available now

FEATURES

- Rigid SPCC construction
- Aluminum butterfly damper
- Easy-to-install, slips on top of blower collar
- Reduces CFM by 25
- \$19.99 MSRP

PRODUCT LITERATURE

- Single page installation manual

PRICE SHEETS

- Pricing will be provided by your sales rep
- Product will be added to the next round of price sheets

ATTACHMENTS TO THIS BULLETIN

- Installation manual

Thank You!

Jeremy Snider

Director of Product Development

jeremys@zephyronline.com

415.282.1211 ext. 111

RED006

6" Round Airflow Reducer - 25 CFM Reduction

For use with the following models:

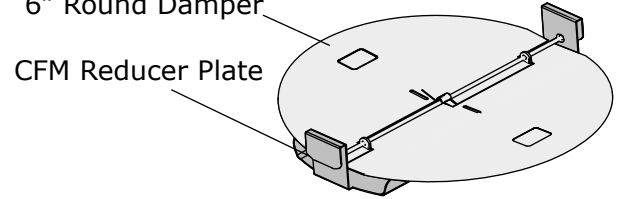
Arc and Cheng Collection (w/CBI-600A blower), AK75xxASX and AK8300ASX (w/CBI-600B blower), AK70xxAS, AK8100AS, ZAG-xxxAG, ZAN-xxxAS, ZAZ-xxxAS, ZSA-xxxBS, ZFI-M90BS, ZRM-xxxBS, ZRO-xxxBS.

Included Materials:

Installation Confirmation Sticker

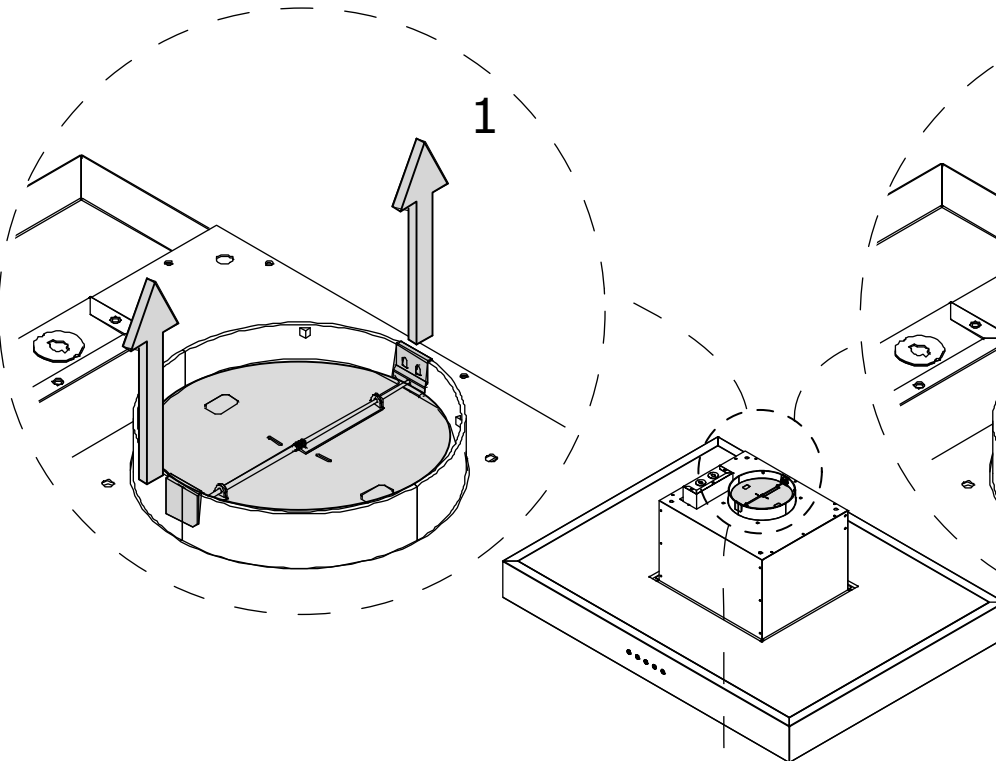
6" Round Damper

CFM Reducer Plate



1. Remove existing damper and damper clips from blower collar.

2. Position CFM reducer so that reducer clips hang over blower collar.



3. Firmly press down on CFM reducer clips to secure CFM reducer in place.

4. Attach reducer installation confirmation sticker to a conspicuous location on the interior back wall of the unit.

