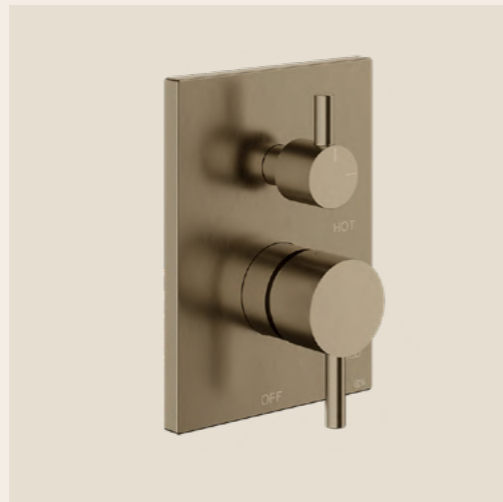
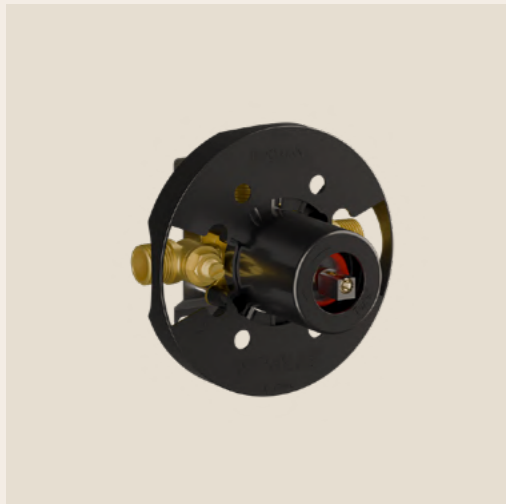


GESI

NORTH AMERICAN SHOWER VALVES

PRESSURE BALANCE VALVES

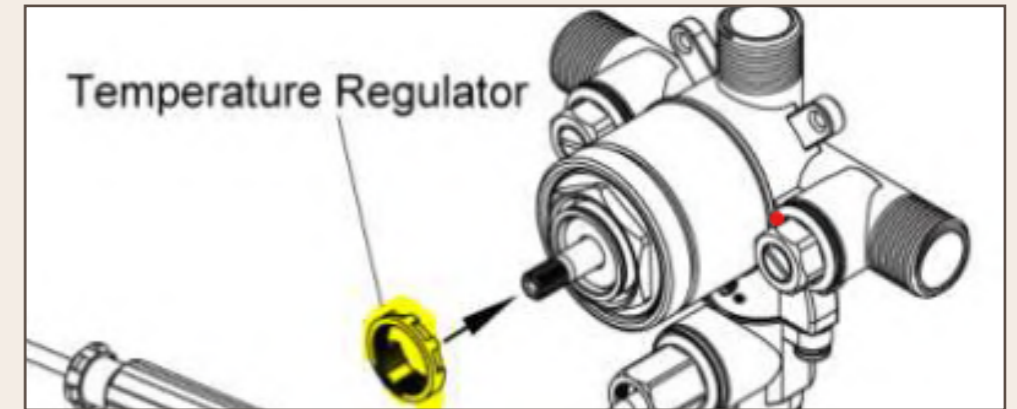
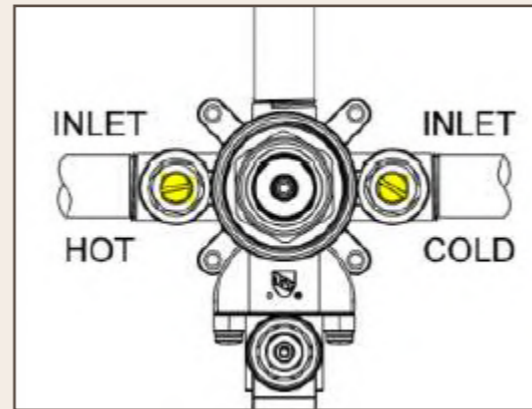
Art. 09372 & 09374 PBV/PBV+Diverter



Valves specification

Minimum operating pressure	20 psi (1.40 Kpa)
Maximum operating pressure	125 psi (1000 Kpa)
Max hot water inlet temperature	180°F / 80°C
Flow capacity	5.8 USGPM@ 50 psi 22 l/min@ 345 Kpa
Hot and cold water inlets	1/2" Male NPT
Shower outlet	1/2" Male NPT
Tub outlet	1/2" Male NPT
Center of outlet/inlet to finished wall	MIN 2" MAX 2-7/8"

* Cartridges and Service stops installed in rough

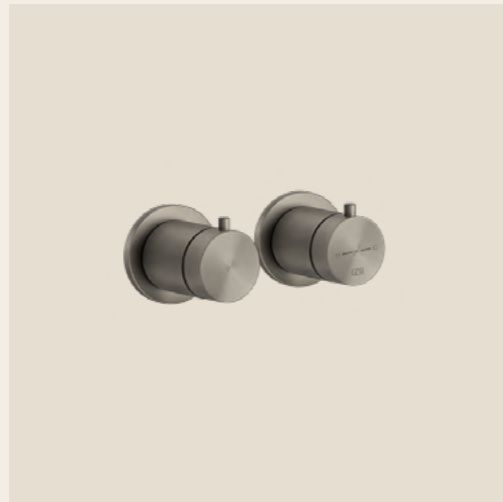
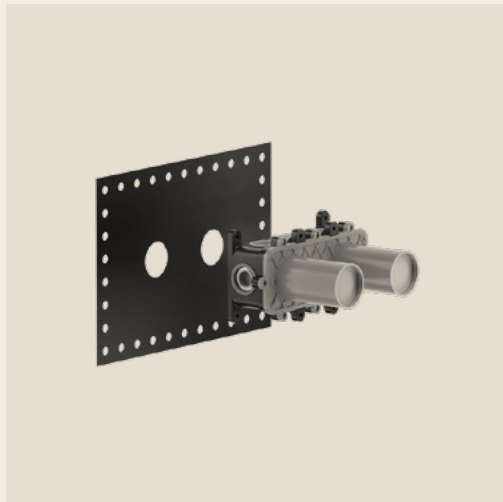


Pressure Balancing Shower Valve

- Durable Forgeo brass body abstain leal<age from h.lgh water pressure
- KEROX® ceramic cartridge
- Check-stops on both inlet
- Adjustable temperature limit stop for outlet supply
- ASSE1016 ASME A112.18.11 CSA 1B125 Certified
- Easy installation and servlceabilty
- Reversible for back-to-back. installation
- Factory assembledand tested
- Economy in cost (body with llghtweight)

THE THERMOSTATIC VALVES

Art. **54169** Thermostatic Valve

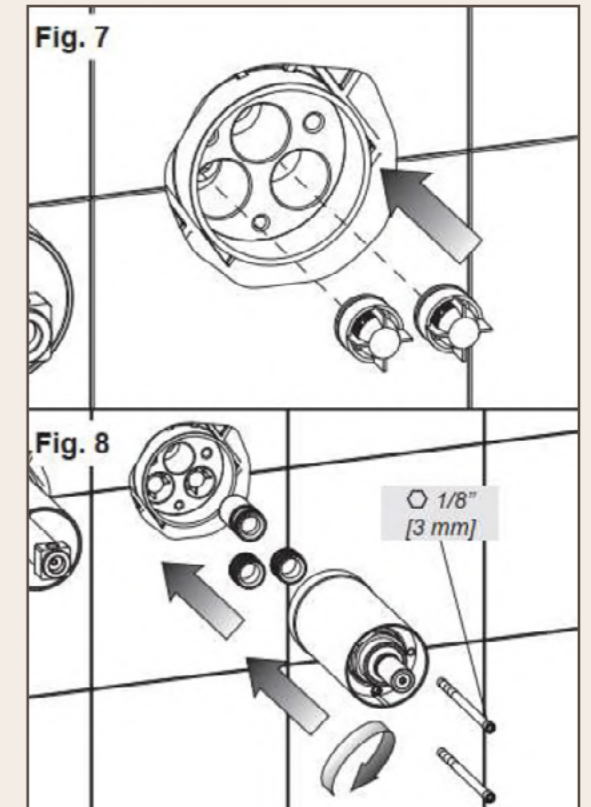
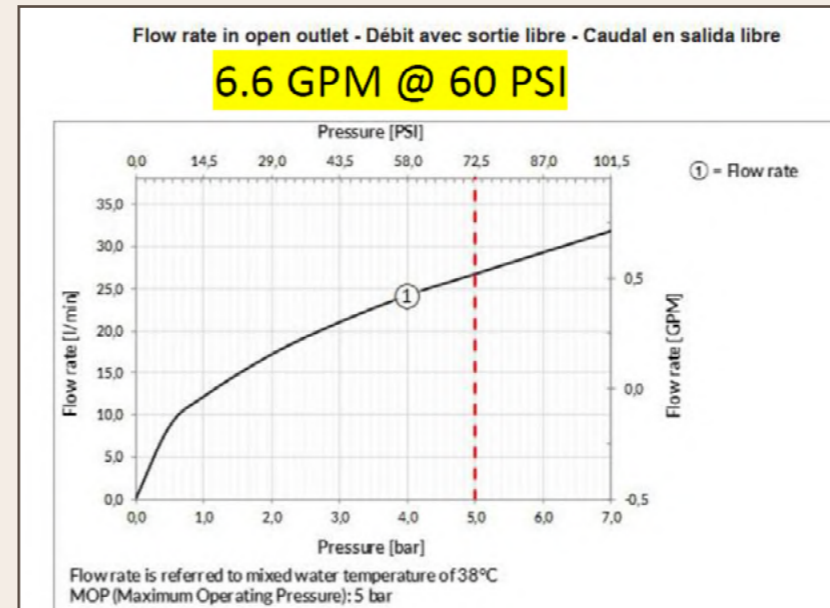


Valves specifications

- No service stops
- 1 / 2 / 3 functions
- Non-shared function
- Horizontal orientation

Available for:

- Gessi316, Anello, Ingranaggio, Incastri



Before installation and setting to work

Attention! The feeding pipes have to be rinsed carefully before the installation of the device so that there won't remain shavings, sealing or hemp residues, or other impurities inside the pipes. Through pipes not thoroughly rinsed or through the general water network, in the device foreign bodies can enter that could damage gaskets /o-ring. So filters should be installed also on the general system.

TECHNICAL FEATURES:

- Safety lock at 38 °C.
- Minimum working temperature 3 °C. - recommended 15 °C. - COLD.
- Maximum working temperature 80 °C. - recommended 65 °C. - HOT.
- Recommended thermal differential 50 °C.
- Safety system with flow stop in case of lack of one of the two waters.
- Maximum working pressure 5 bar
- Recommended working pressure 3 bar (in case of water pressure higher than 5 bar it is recommended to install pressure reducers)

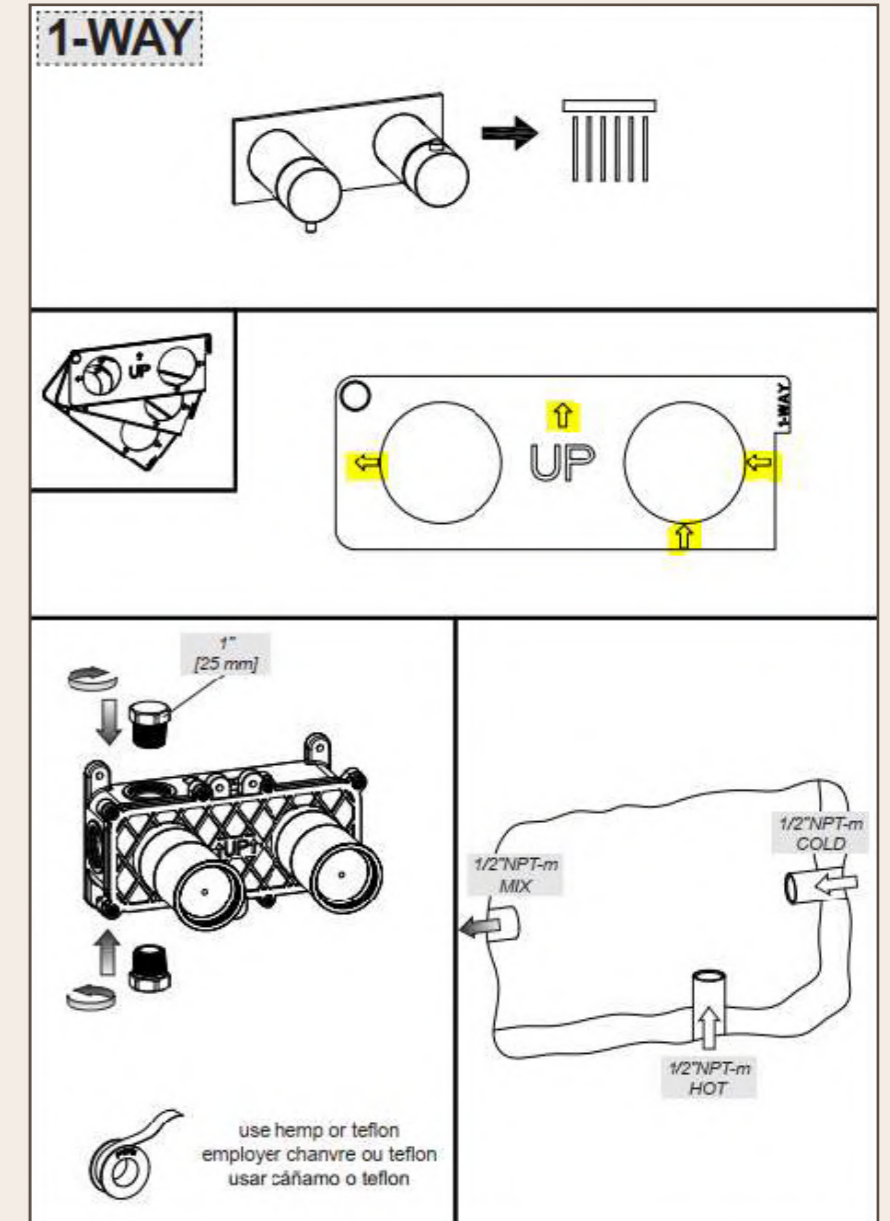
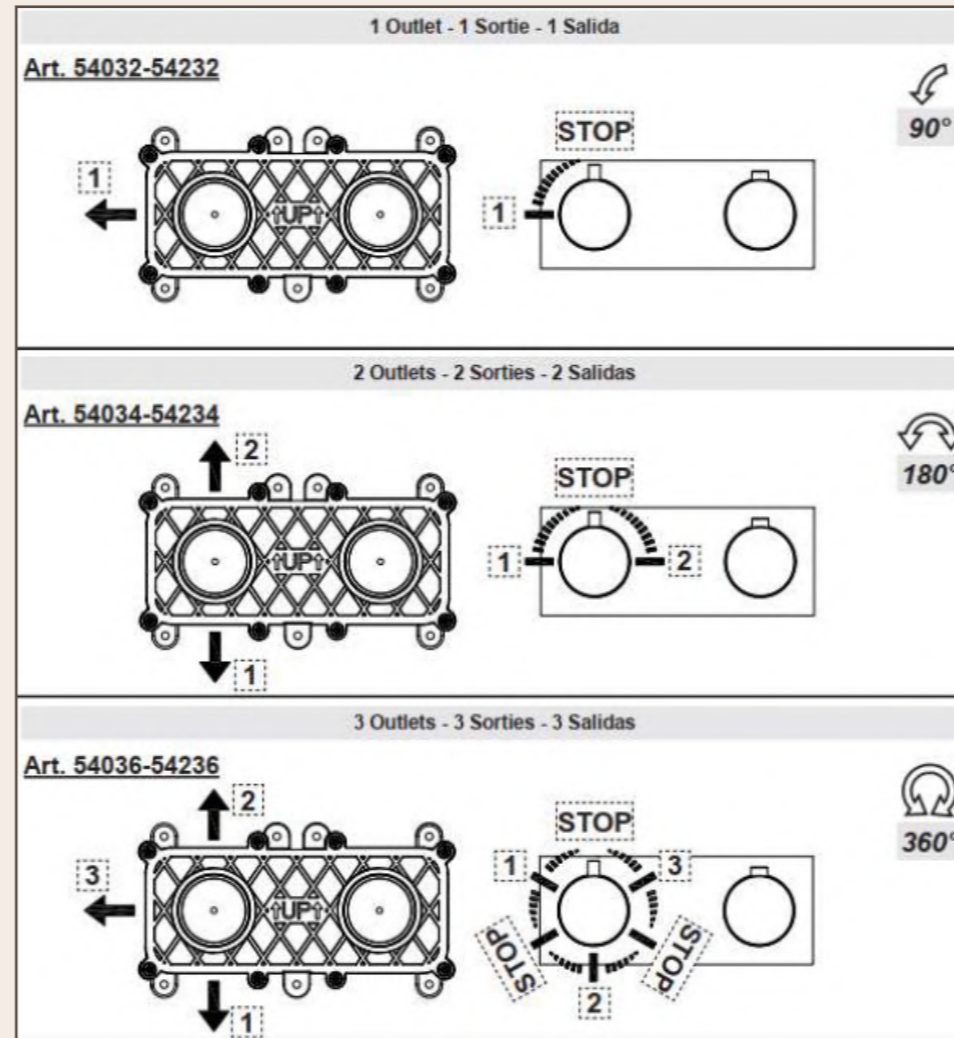
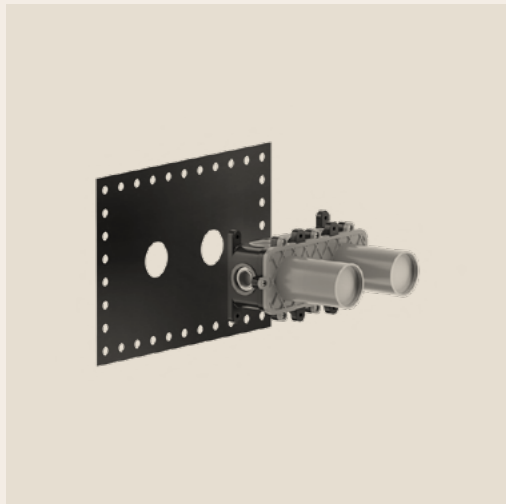
OPERATION:

- Either with gas or electric accumulation boilers.
- Centralised systems.
- Wall boilers.
- Filters for impurity holding.

Warning: contact the plumber for the choice of the best water heating device.

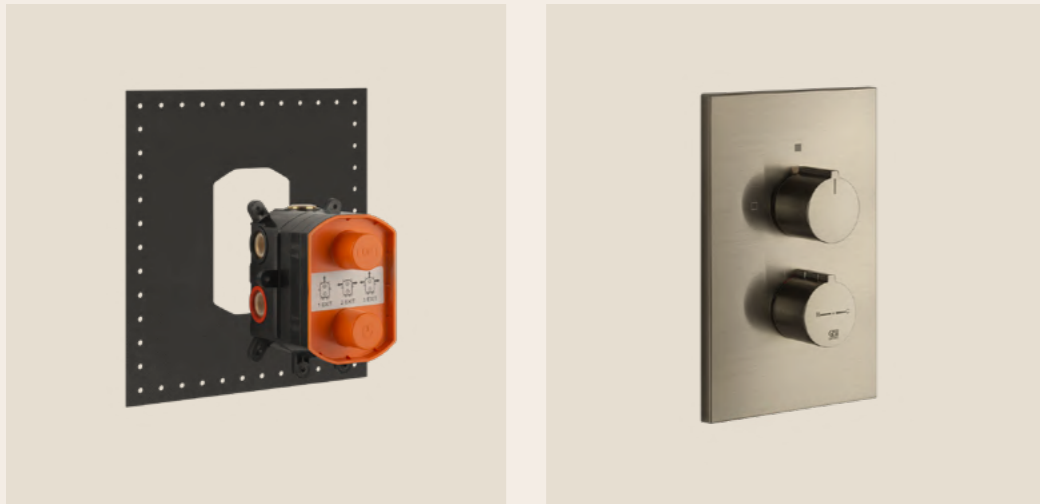
THE THERMOSTATIC VALVES

Art. **54169** Thermostatic Valve



THE THERMOSTATIC VALVES

Art. **09270** Thermostatic Valve



Valves specifications

In-wall thermostatic rough valve for 1/2/3-way diverter function

- 1/2" connections
- Vertical application
- Anti-scalding
- Non-Shared Function

Available for:

- Emporio

Technical data of the mixer

- Minimum working pressure 7,25 psi [0,5 bar]
- Maximum working pressure 72 psi [5 bar]
- Recommended working pressure 43,5 psi [3 bar] (in case of water pressure higher than 72 psi [5 bar] it is recommended to install pressure reducers)
- Maximum test installation pressure 116 psi [8 bar]
- Avoid major pressure differences between hot and cold water supply. Differences in pressure, water with high mineral content, and soapy substances can corrode the internal and external parts of the hoses and slowly weaken the materials thereby causing leakage
- Safety lock at 100°F [38°C]
- Safety lock for max temperature at 120°F [49°C]
- Mixer's minimum infeed operating temperature 37°F [3°C] - recommended 59 F [15°C] - COLD
- Mixer's maximum infeed operating temperature 176°F [80°C] - recommended 149°F [65°C] - HOT
- Recommended thermal differential 122°F [50°C]
- Safety system with flow stop in case of lack of one of the two waters

Operation:

- Either with gas or electric accumulation boilers
- Centralised systems
- Wall boilers
- Filters in stainless steel for the treatment of Impurities

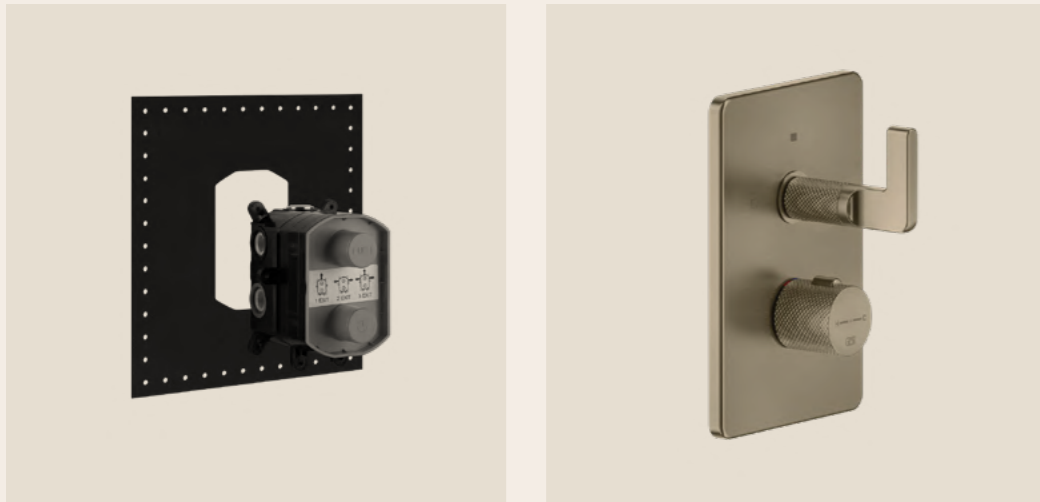
Warning:

contact the plumber for the choice of the best water heating device

OUTLETS	
Flow rate in open outlet - Débit avec sortie libre - Caudal en salida libre	
Psi [bar]	gmp [l/min]
7,25 [0,5]	2,72 [10,3]
14,5 [1]	1,32 [15]
29 [2]	5,65 [21,4]
43,5 [3]	6,92 [26,2]
58 [4]	8 [30,3]
72,5 [5]	8,92 [33,8]

THE THERMOSTATIC VALVES

Art. **09279** Thermostatic Valve



Valves specifications

In-wall thermostatic rough valve for 1/2/3-way diverter function

- 1/2" connections
- Vertical application
- Anti-scalding
- Non-Shared Function

Available for:

- Inciso, Rettangolo, Origini, Rilievo, Ventaglio, Inverso, Incastri, Goccia

Technical data of the mixer

- Minimum working pressure 7,25 psi [0,5 bar]
- Maximum working pressure 72 psi [5 bar]
- Recommended working pressure 43,5 psi [3 bar] (in case of water pressure higher than 72 psi (5 bar) it is recommended to install pressure reducers)
- Maximum test installation pressure 116 psi [8 bar]
- Avoid major pressure differences between hot and cold water supply. Differences in pressure, water with high mineral content, and soapy substances can corrode the internal and external parts of the hoses and slowly weaken the materials thereby causing leakage
- Safety lock at 100°F [38°C]
- Safety lock for max temperature at 120°F (49°C)
- Mixer's minimum infeed operating temperature 37°F [3°C] - recommended 59 F [15°C]- COLD
- Mixer's maximum infeed operating temperature 176°F [80°C] - recommended 149°F (65°C) - HOT
- Recommended thermal differential 122°F [50°C]
- Safety system with flow stop in case of lack of one of the two waters

Operation:

- Either with gas or electric accumulation boilers
- Centralised systems
- Wall boilers
- Filters in stainless steel for the treatment of Impurities

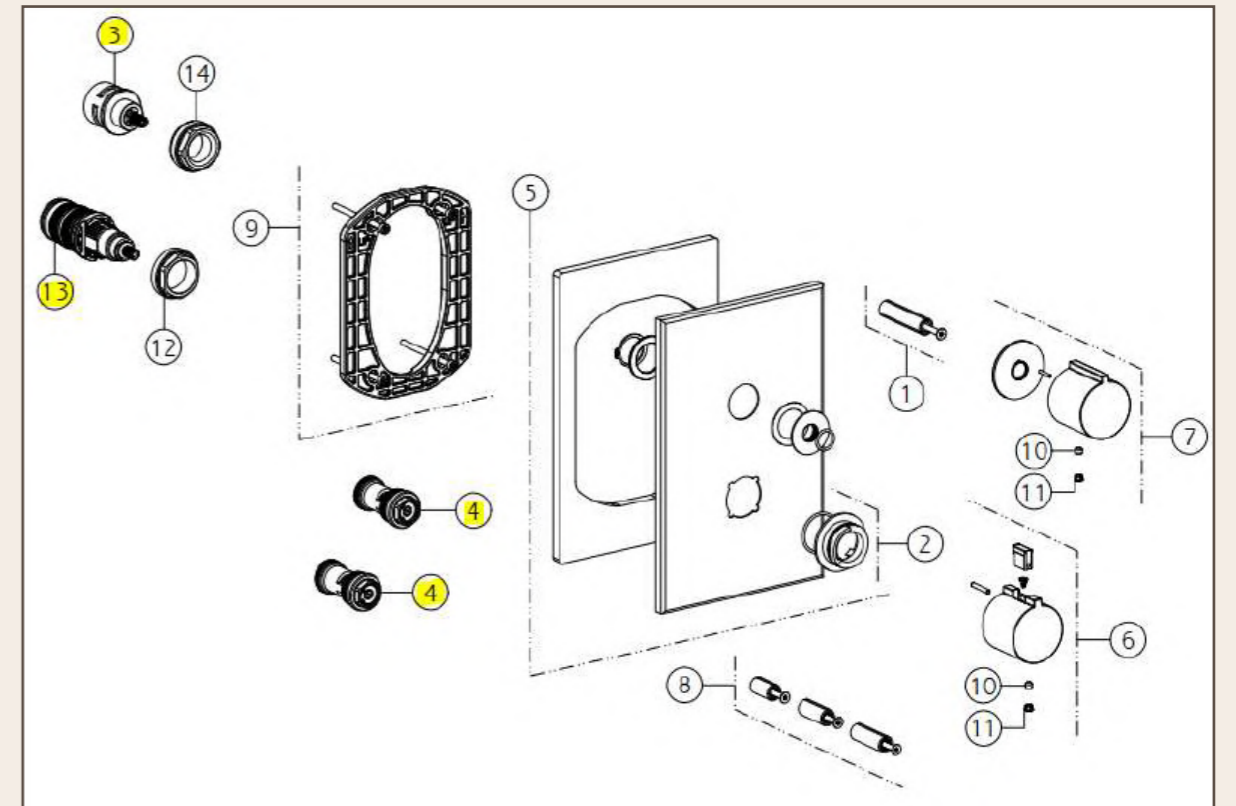
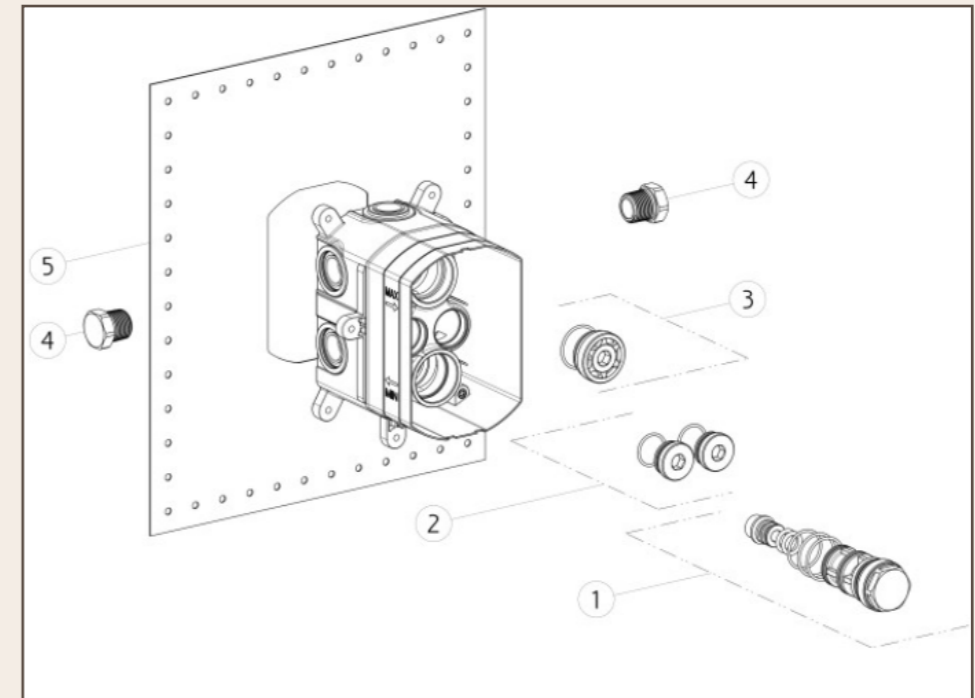
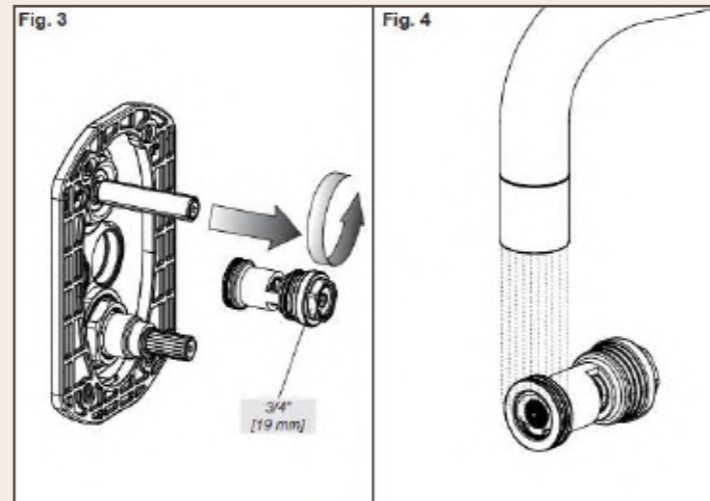
Warning:

contact the plumber for the choice of the best water heating device

OUTLETS	
Flow rate in open outlet - Débit avec sortie libre - Caudal en salida libre	
Psi [bar]	gmp [l/min]
7,25 [0,5]	2,72 [10,3]
14,5 [1]	1,32 [15]
29 [2]	5,65 [21,4]
43,5 [3]	6,92 [26,2]
58 [4]	8 [30,3]
72,5 [5]	8,92 [33,8]

THE THERMOSTATIC VALVES

Art. **09279** Thermostatic Valve

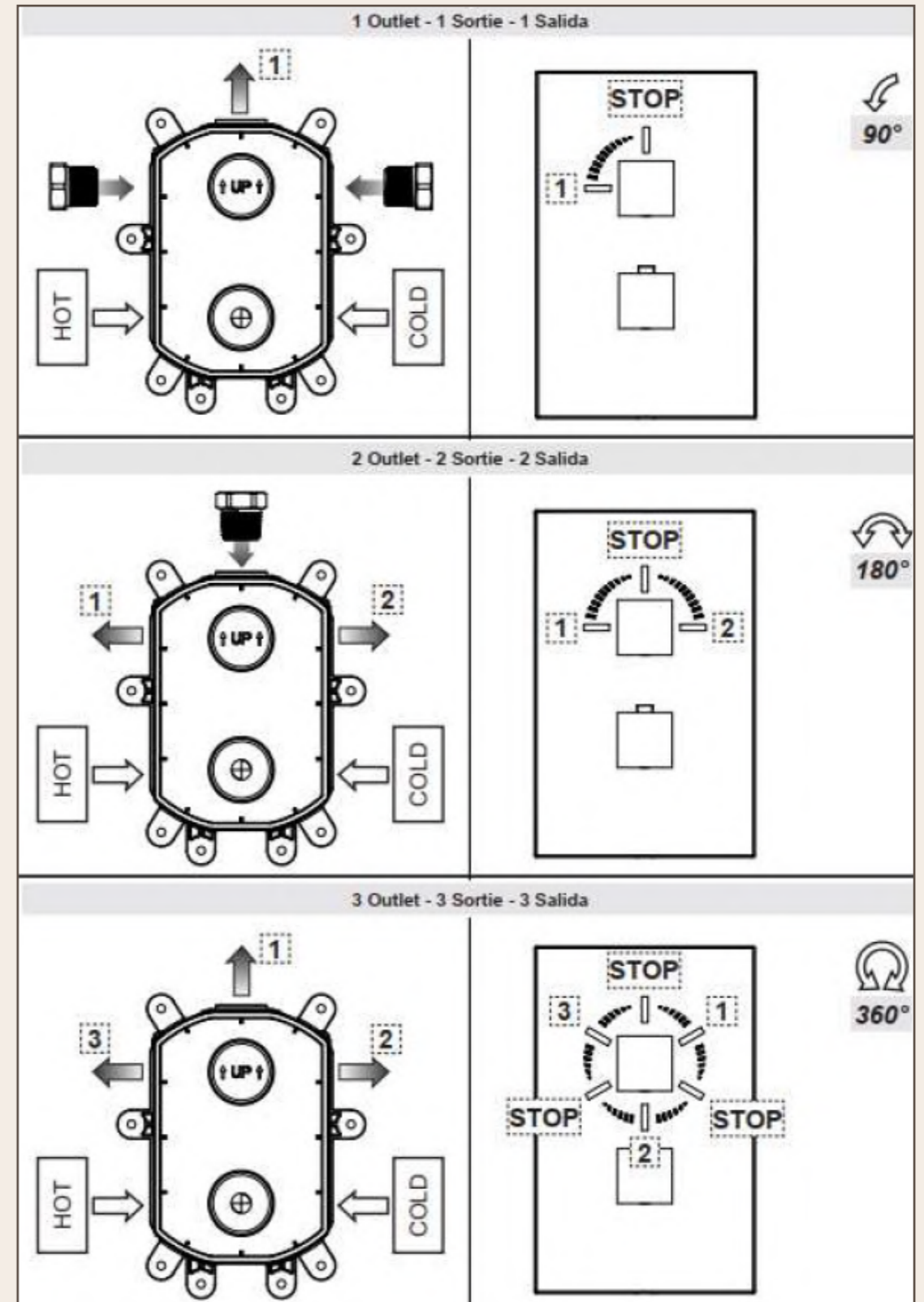


Valves specifications

- Has service stops (ship with trim)
- 1 / 2 / 3 functions
- Non-shared function
- Vertical orientation

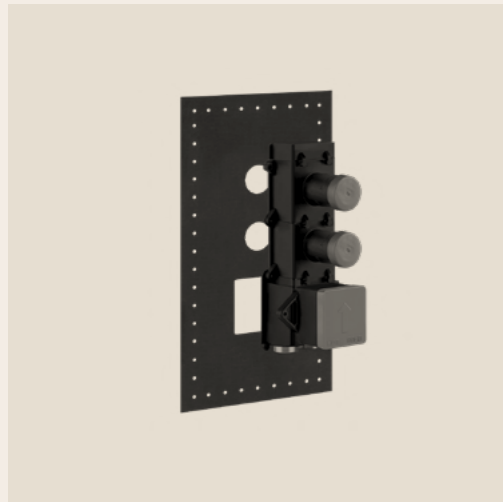
THE THERMOSTATIC VALVES

Art. **09279** Thermostatic Valve



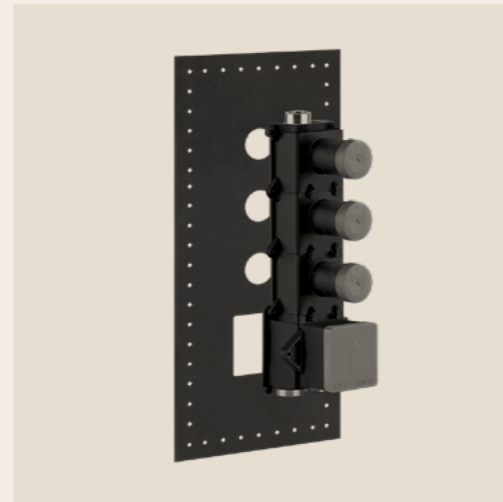
THE THERMOSTATIC VALVES

High capacity Thermostatic Valves



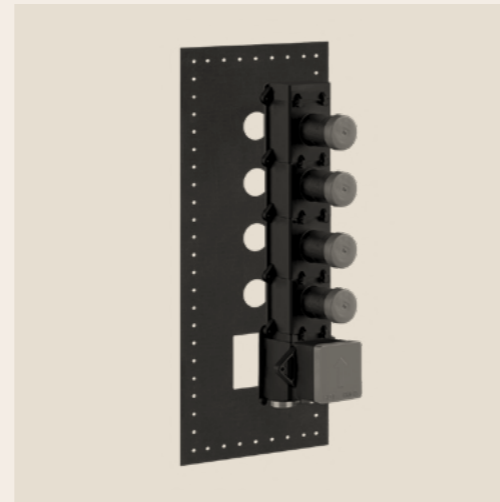
Art. 39693

In-wall thermostatic rough valve with 2 volume controls



Art. 39695

In-wall thermostatic rough valve with 3 volume controls

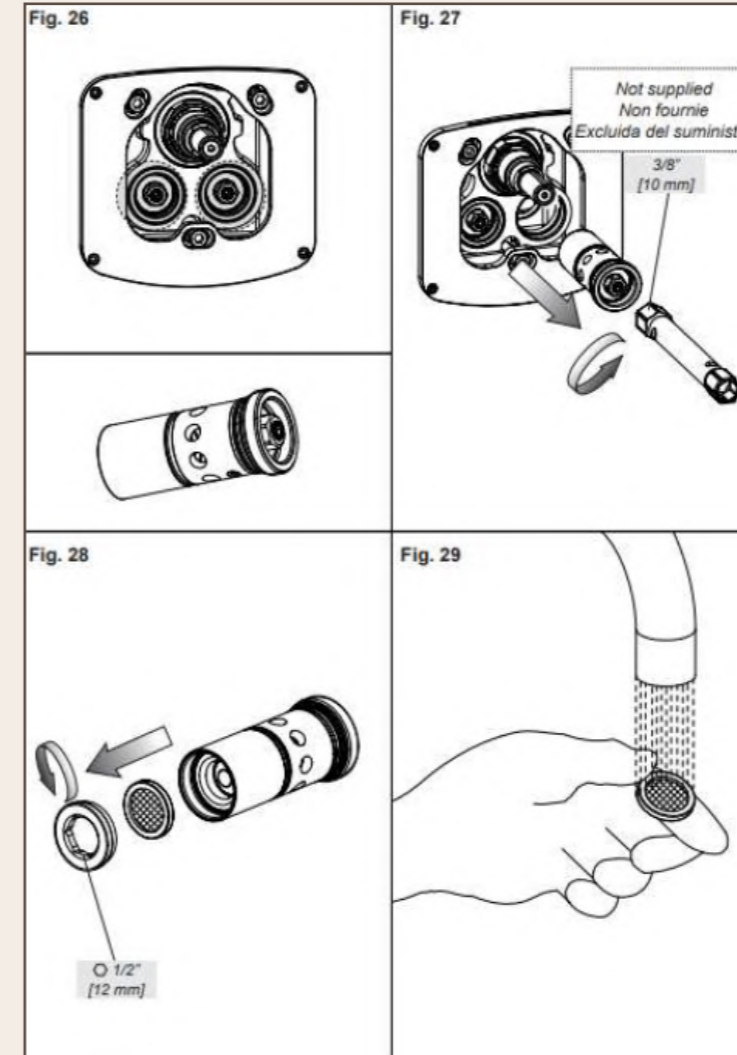


Art. 39699

In-wall thermostatic rough valve with 4 volume controls

Valves specifications

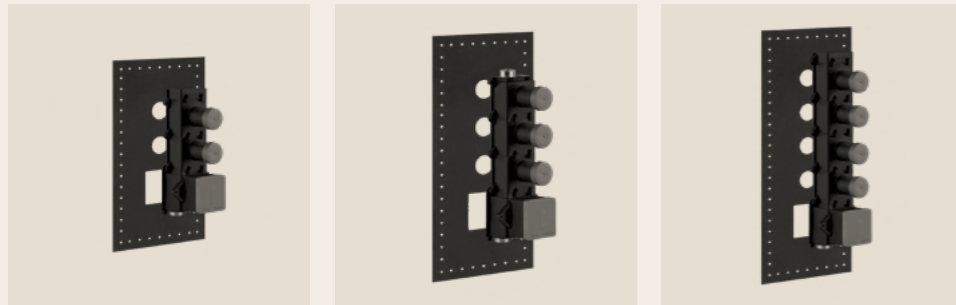
- High capacity
- 3/4" connections
- Vertical/Horizontal application
- Anti-scalding



Pressure [bar]	Outlet [l/min]			
	1	1+2	1+2+3	1+2+3+4
0.5	17.5	19	19.5	19
1	22.5	24	25.5	25.5
2	30	32.5	34.5	33.5
3	36.5	39.5	42	41.5
4	42	45	47.5	47.5
5	46.5	49.5	51	51.5

THE THERMOSTATIC VALVES

High capacity Thermostatic Valves

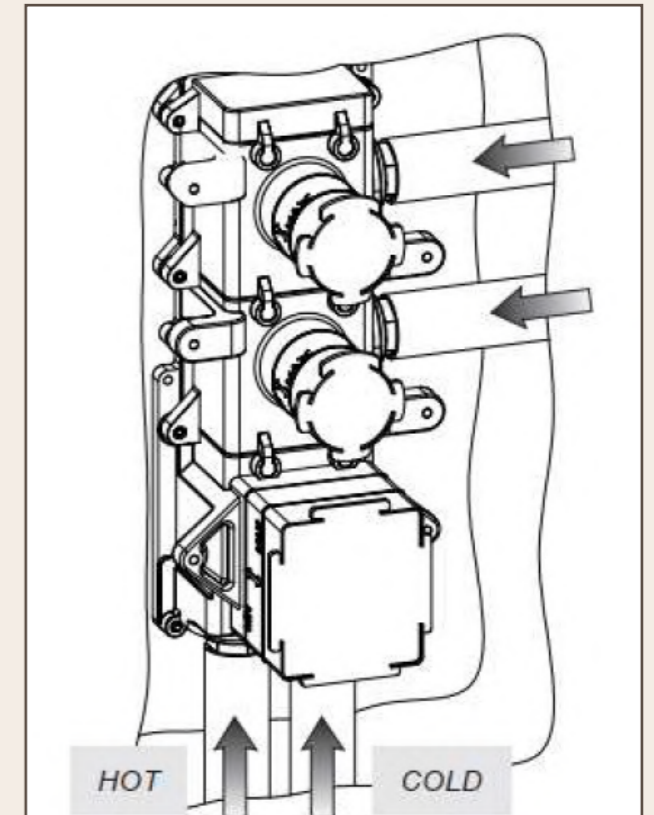
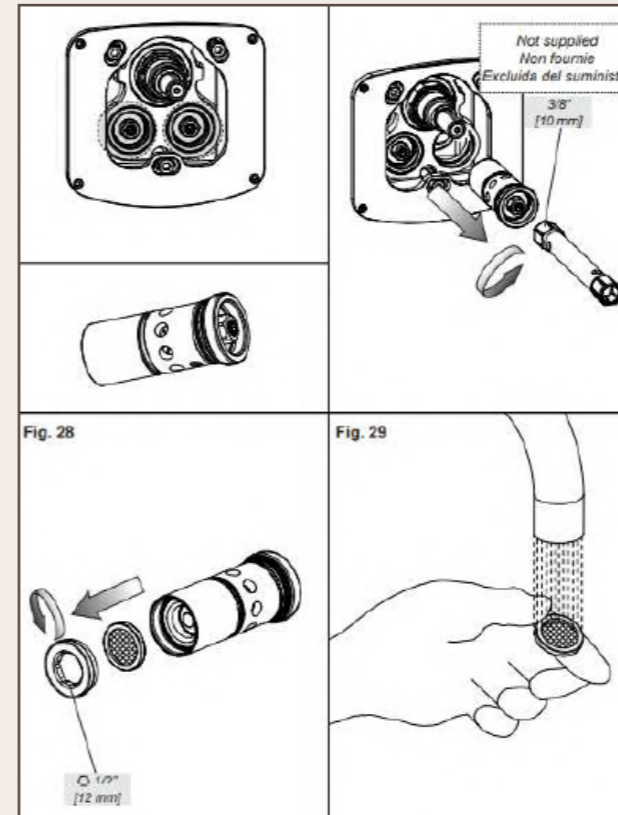
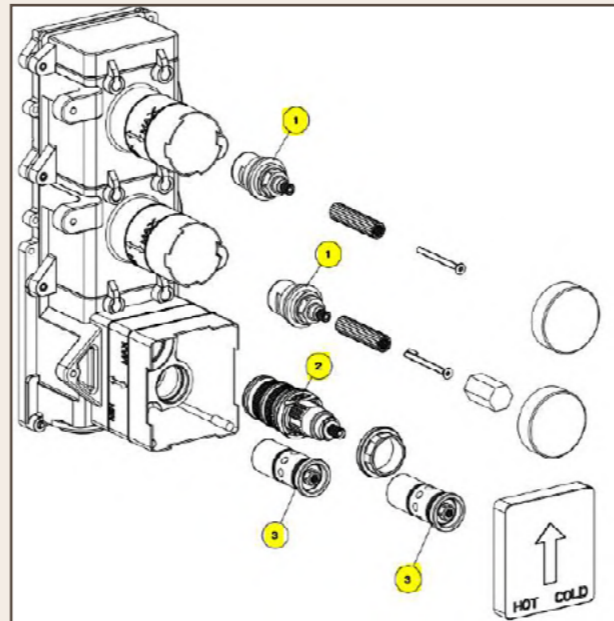


Characteristics:

- Cartridges and Service stops installed in rough
- One outlet position per VC
- Cannot add additional VC
- Filter screens on service stops

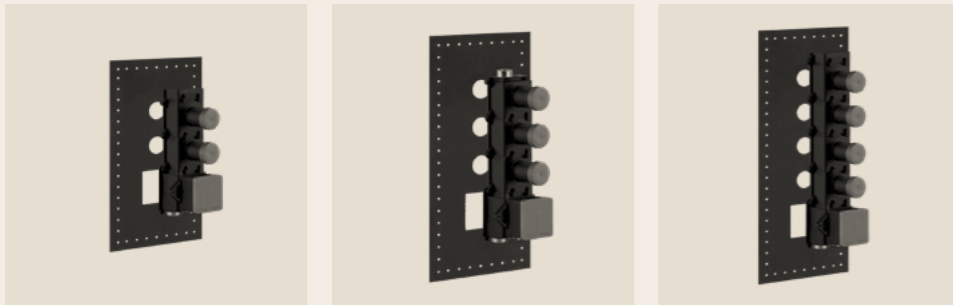
Available for:

- All Bathroom Collections

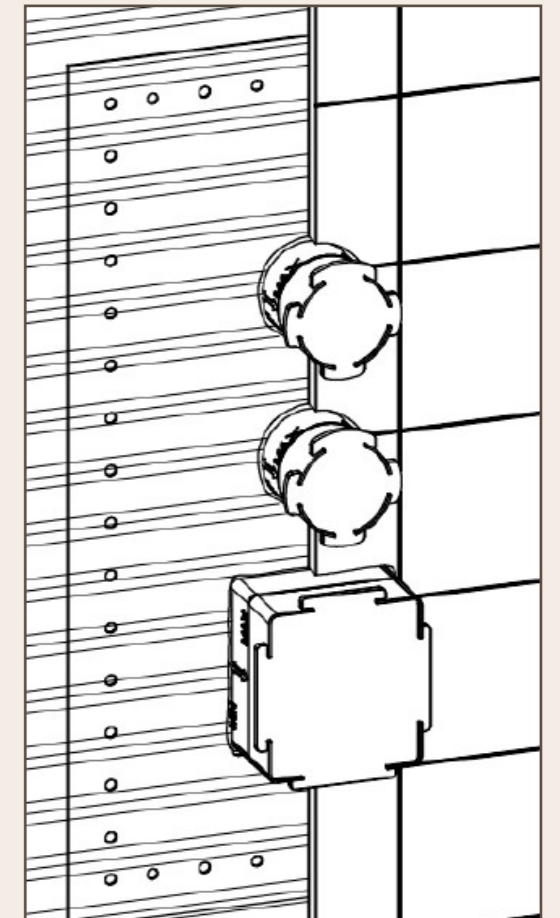
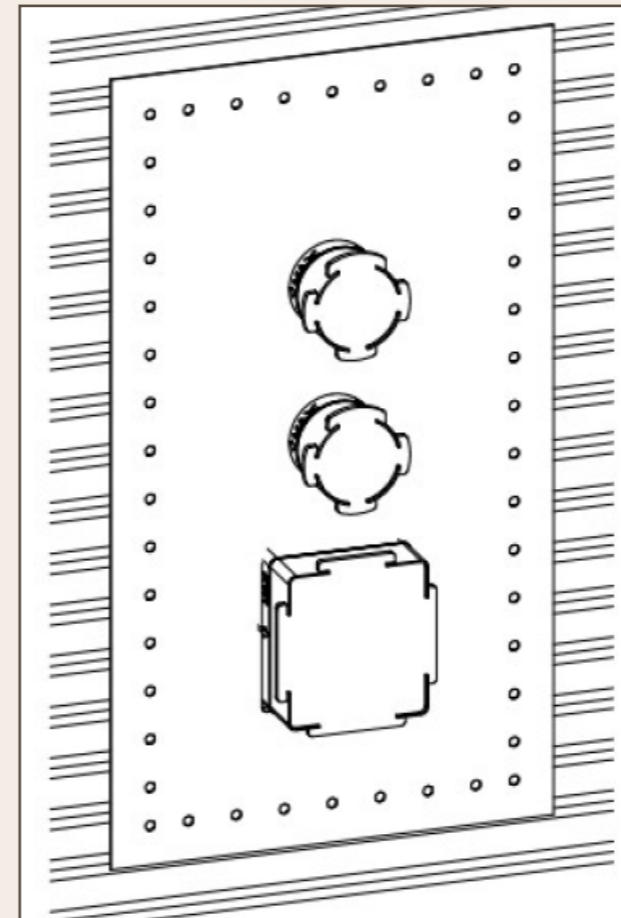
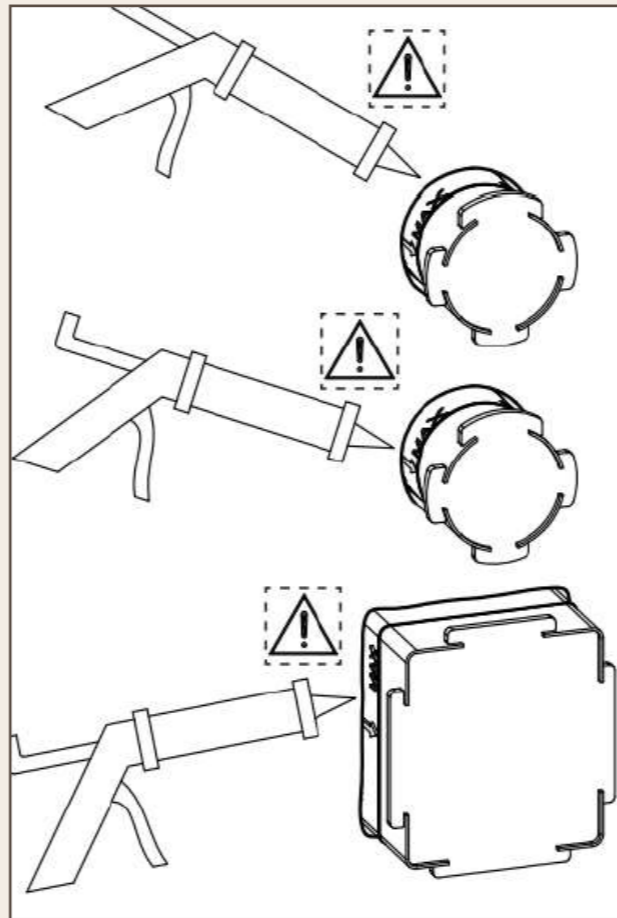


THE THERMOSTATIC VALVES

High capacity Thermostatic Valves

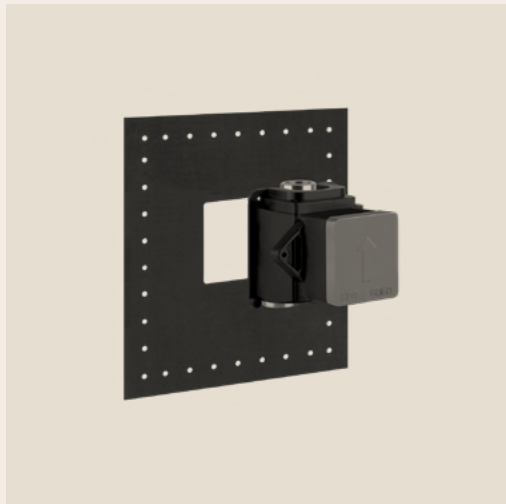


• Mud guards and waterproofing cloth



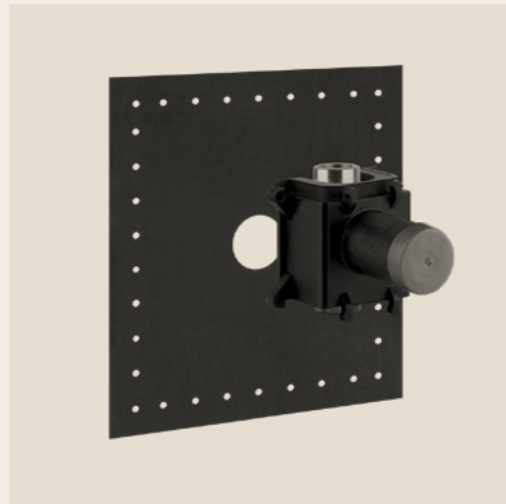
THE THERMOSTATIC VALVES

Separate Thermostat & Volume Controls



Art. 39681

In-wall thermostatic rough valve parts for individual mixer



Art. 39683

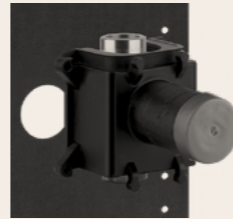
In-wall thermostatic rough valve parts for volume control

Valves specifications

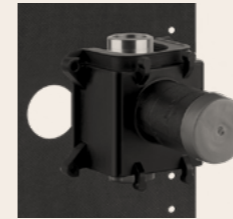
- High capacity
- 3/4" connections
- Vertical/Horizontal application
- Anti-scalding

- High capacity
- 3/4" connections
- Vertical/Horizontal application
- Anti-scalding

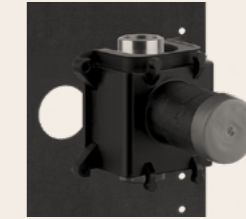
Art. 39683



Art. 39683



Art. 39683



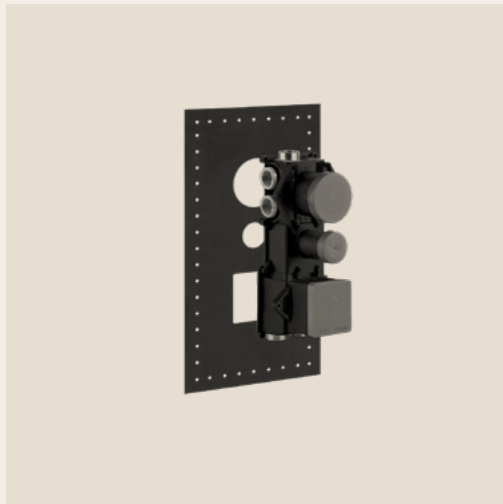
Art. 39681



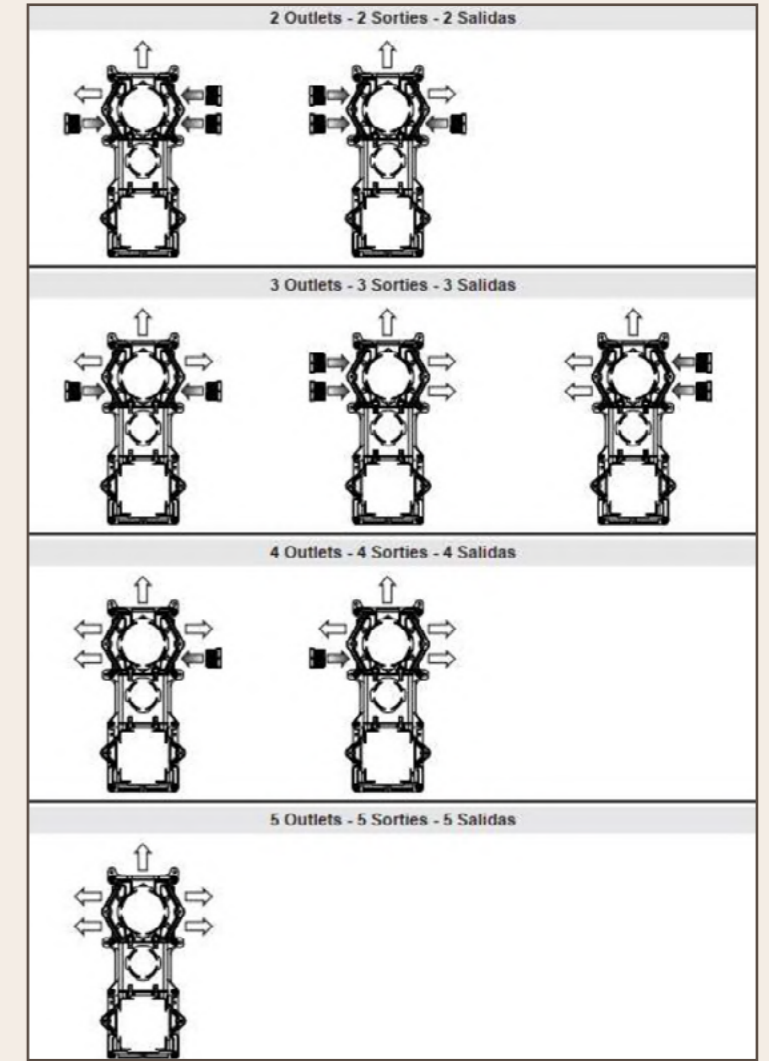
Pressure [bar]	Outlet [l/min]			
	1	1+2	1+2+3	1+2+3+4
0.5	17.5	19	19.5	19
1	22.5	24	25.5	25.5
2	30	32.5	34.5	33.5
3	36.5	39.5	42	41.5
4	42	45	47.5	47.5
5	46.5	49.5	51	51.5

THE THERMOSTATIC VALVES

Art. **39601** Thermostatic Valve



Includes indicators



Valves specifications

In-wall thermostatic rough valve with 5-way diverter

- High capacity
- 3/4" connections
- Vertical/Horizontal application
- Anti-scalding
- Non shared function
- Can be used as 2, 3 & 4-way diverter

Available for:

- Anello, Ingranaggio, Goccia, Inciso and Rettangolo

Pressione - Pressure [bar]	Uscita - Outlet [l/min]				
	1	2	3	4	5
0.5	7.5	7.5	7.5	7.5	7.5
1	15	13.5	14.5	13.5	14.5
2	22	22	22.5	22	22.5
3	28.5	28	28.5	28.5	28.5
4	33	33.5	34.5	33.5	34
5	37.5	37.5	39	37.5	39

THE HI-FI COLLECTION

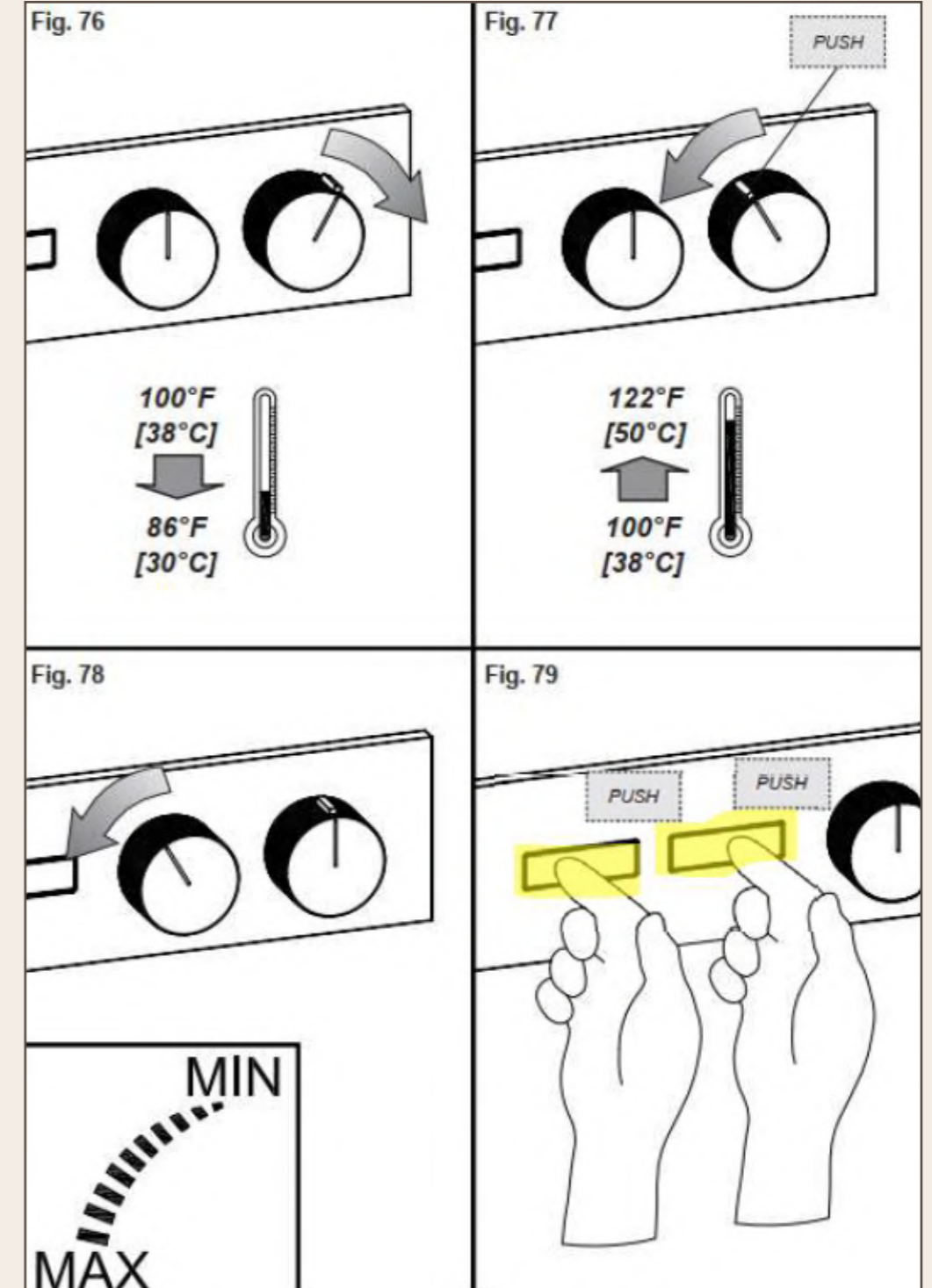
HI-FI Linear and Shelf



Flow rate in open outlet - Débit avec sortie libre - Caudal en salida libre				
PRESSURE	SINGLE WAY	1+2 WAYS	1+2+3 WAYS	1+2+3+4 WAYS
7,3 psi [0,5 bar]	2,5 gpm [9,3 l/min]	2,6 gpm [9,8 l/min]	2,7 gpm [10,2 l/min]	2,8 gpm [10,6 l/min]
14,5 psi [1 bar]	3,9 gpm [14,7 l/min]	4,7 gpm [17,9 l/min]	4,8 gpm [18,2 l/min]	4,8 gpm [18,2 l/min]
29 psi [2 bar]	5,5 gpm [20,8 l/min]	7,2 gpm [27,3 l/min]	7,4 gpm [28,1 l/min]	7,4 gpm [28,1 l/min]
43,5 psi [3 bar]	5,4 gpm [20,4 l/min]	8,8 gpm [33,5 l/min]	9,3 gpm [35,2 l/min]	9,4 gpm [35,5 l/min]
58 psi [4 bar]	6 gpm [22,6 l/min]	10,2 gpm [38,5 l/min]	10,7 gpm [40,5 l/min]	10,8 gpm [40,9 l/min]
72,2 psi [5 bar]	6,5 gpm [24,6 l/min]	11,2 gpm [42,3 l/min]	12 gpm [45,1 l/min]	12,1 gpm [45,8 l/min]

Allows multiple functions at once

How does it work?



THE HI-FI COLLECTION

HI-FI Linear and Shelf

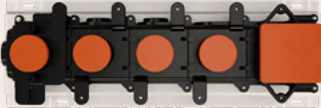
2 ways



2 ways



3 ways



3 ways



4 ways

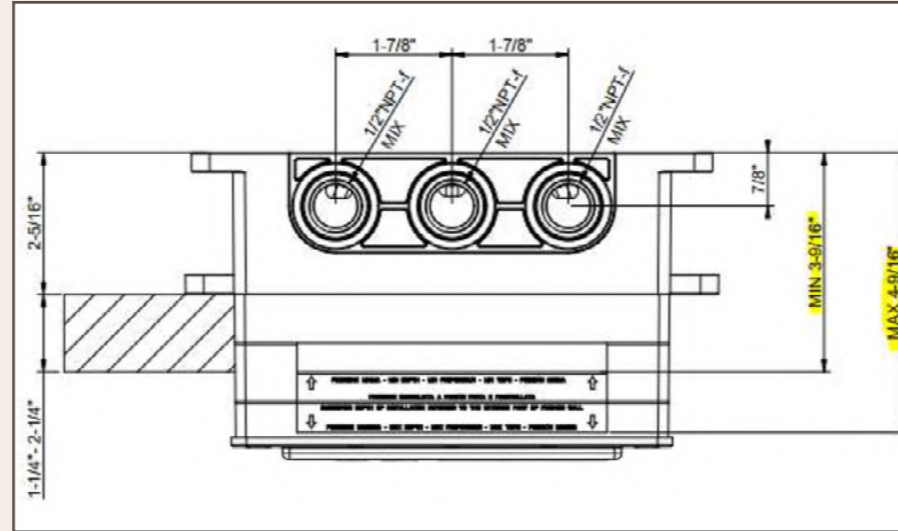


4 ways

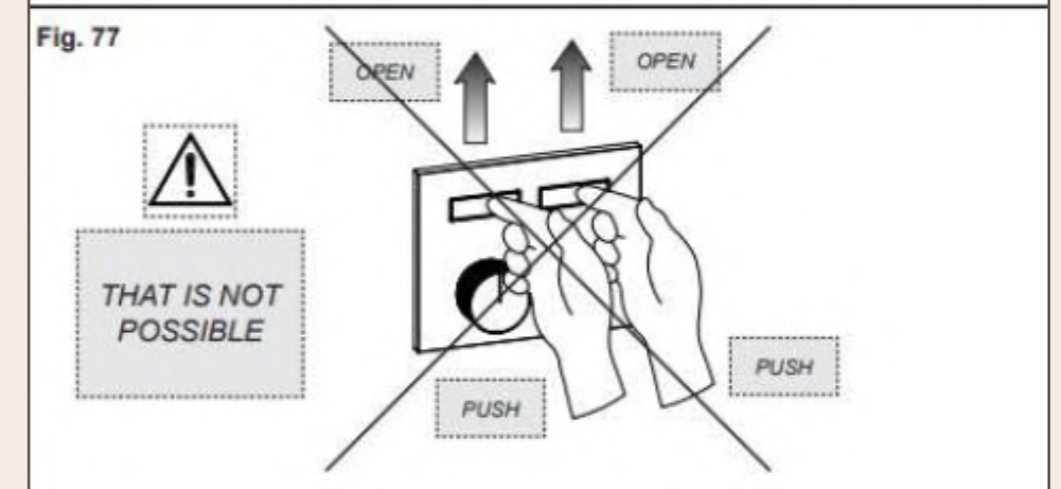
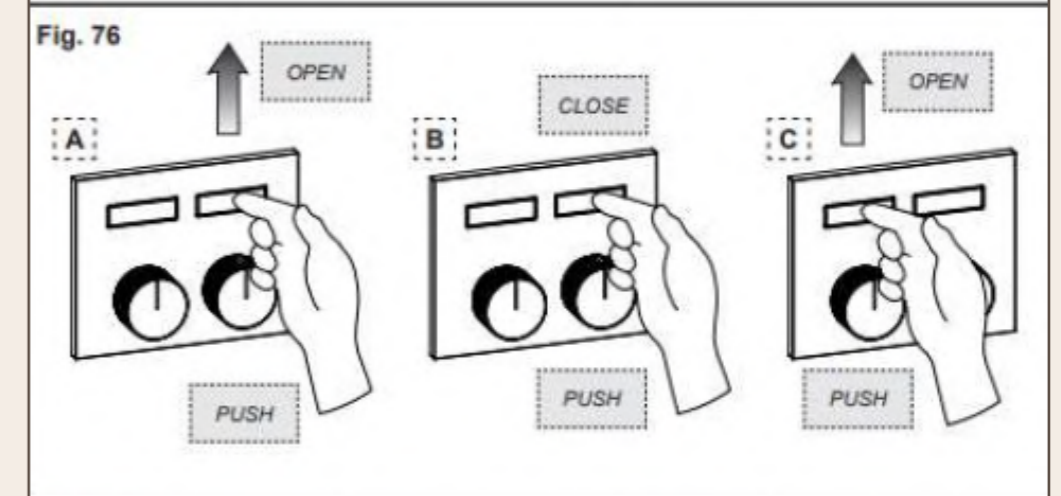
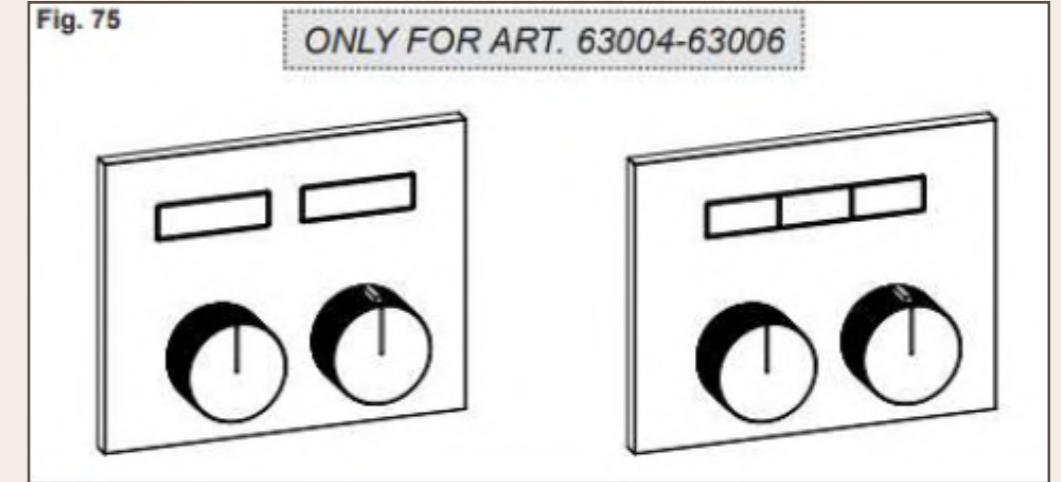


THE HI-FI COLLECTION

HI-FI Compact



How to operate it:



Valves specifications

- Single function at the time
- Wall thickness!

Strømningshastighet ved fri utgang - Fri flødes hastighet - Vapaa ulostulovirtaus - Strømning i frit udløb - Flow rate in open outlet - Portata in uscita libera

PRESSURE [bar]	SINGLE WAY [l/min]	1+2 WAYS [l/min]	1+2+3 WAYS [l/min]
0,5	9,3	9,9	8,7
1	14,7	17,8	18,1
2	20,8	26,1	27,4
3	20,4	31,9	35,2
4	22,6	36,5	40,8
5	24,4	40,2	44,5

THE HI-FI COLLECTION

HI-FI Compact

2 ways



3 ways



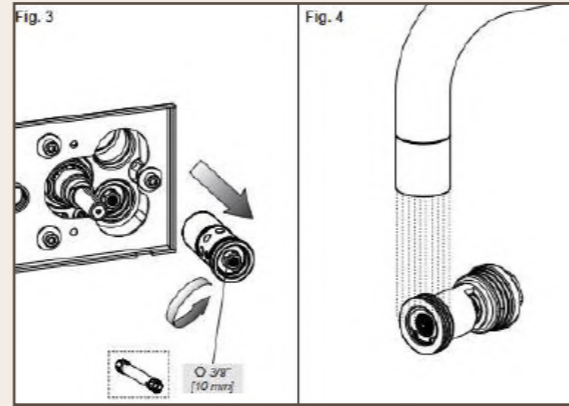
· **Conversion Kit SP04122** (to allow multi-function)



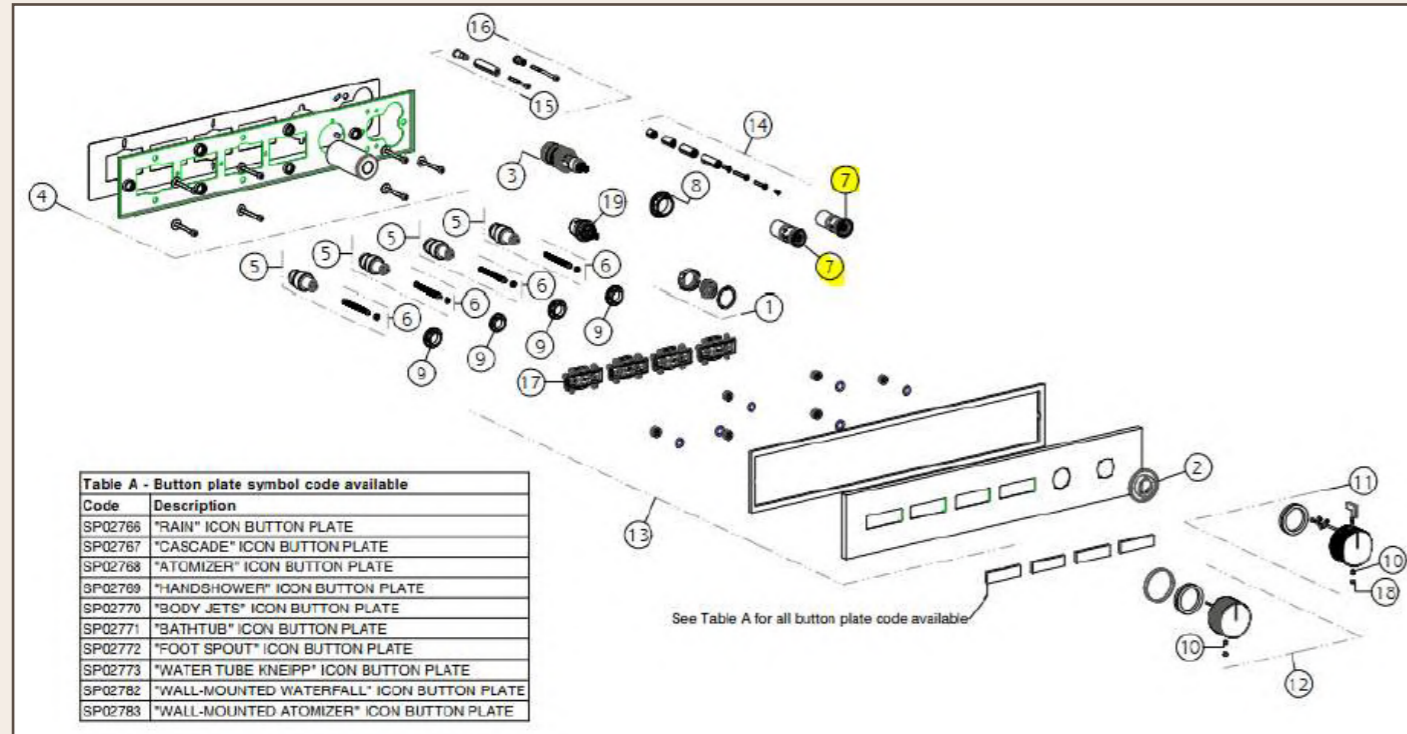
THE HI-FI COLLECTION

HI-FI Linear, Compact and Shelf

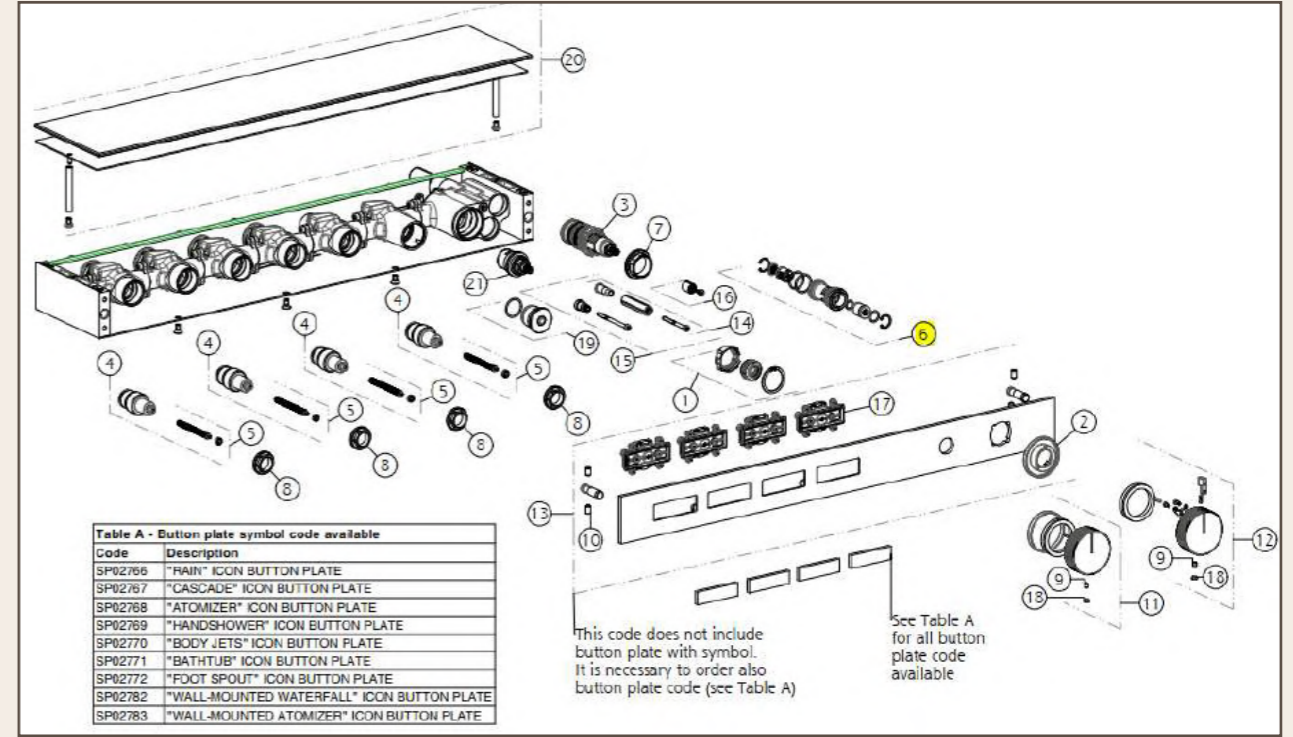
- All HIFI valves have service stops (come with trim)
- Filter screens on stops



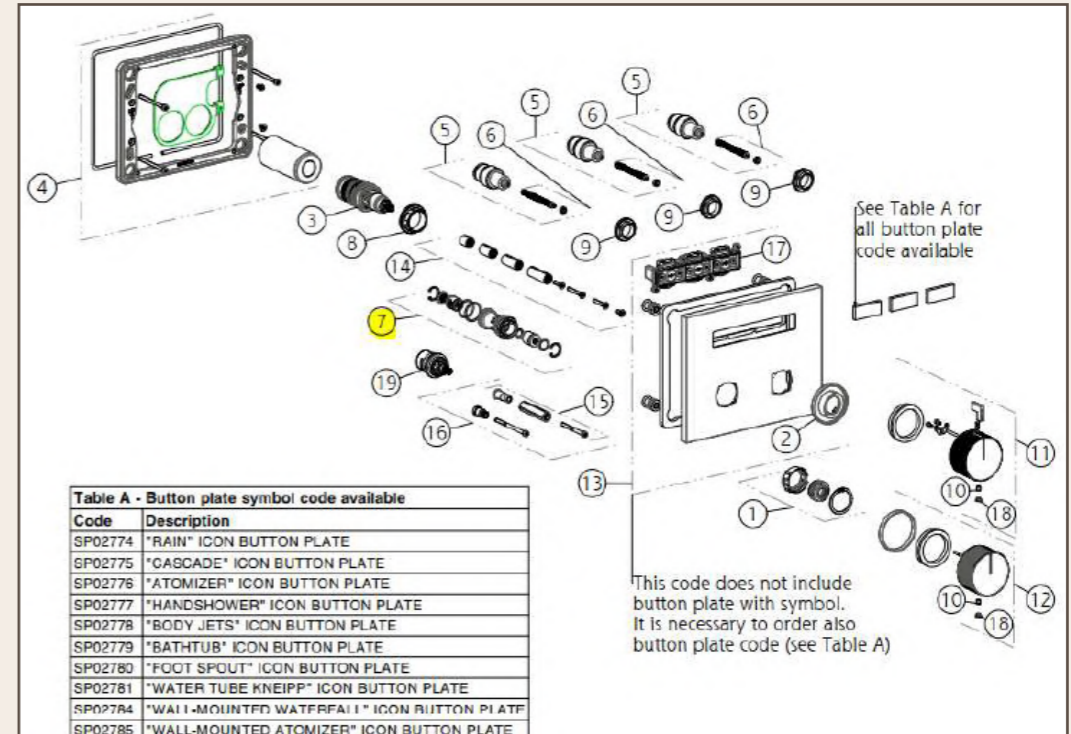
HI-FI Linear



HI-FI Shelf



HI-FI Compact



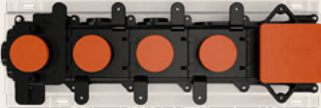
THE HI-FI COLLECTION

HI-FI Origini

2 ways



3 ways



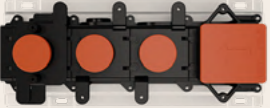
4 ways



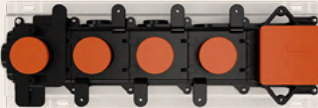
THE HI-FI COLLECTION

HI-FI Eclectic

2 ways



3 ways



4 ways



2 ways



3 ways



GISSI

THANK YOU