

2026 New Product Highlights



SINKS

VERTEX

A sophisticated homogeneous Microtexture finish features a diamond-pattern that delivers a professional look, gracefully concealing streaks and stains, while making scratches less visible compared to conventional stainless steel .

Characteristics



Scratch Resistant

Scratches are less visible as they are discontinuous on the relief surface, the micro texture helps to optically hide streaks and stains.



Hygienic and Cleanability

Even if the pattern has microcavities, the cleanability is high and the visual effect is of more homogenous look.



5 models with coordinating accessories

CABINET 21"



CUT 15"

Installation UM

CABINET 24"



CUT 20"

Installation UM

CABINET 33"



CUT 27"

Installation UM

CABINET 36"



CUT 30"

Installation UM

BOWL DIMENSION: 15", 20", 27", 30"

INSTALLATION: Undermount NTL

WASTE KIT: 3.5" WK

PLANT: FPR

NAKED SKUs 4

Go to Market: Q2 2026

Accessories



Bottom grids (one for each size)



Cutting board



Steel Colander



Rollmat

KUBUS

FRACERAM COLLECTION

Sleek Modern Design:

Clean lines and a minimalist profile that will seamlessly integrate with today's contemporary kitchens.

Durable Ceramic Finish

High-quality ceramic construction resists stains, and everyday wear for long lasting beauty.



Effortless Maintenance

Non-porous surface makes cleaning simple while maintaining a fresh polished look.

Elegant ceramic design meets eXceptional functionality

21" CABINET



KXK11016-GWH

24" CABINET



KXK11020-GWH

33" CABINET



KXK11028-GWH

BOWL DIMENSIONS: **22", 25", 28", 31", 34"**
L to R, all 7.5" deep

GO TO MARKET: **May 2026**

ACCESSORIES:



Bottom grids (one for each size)



Cutting board



Steel Colander



Rollmat

Built as a true workstation with integrated accessories for seamless meal prep



Dual Sided Functionality

Reversible design provide flexible installation and versatile style for any kitchen.



EPICURA WORKCENTER

Exceptional design that emphasizes contemporary elegance while also maintaining practical functionality.

36" CABINET



EPK71036-GWH-WKC
Y1 forecast = 700

BOWL DIMENSIONS: 34" L to R, 9" deep
DESIGN FEATURE: Dual sided/Reversible

GO TO MARKET: May 2026

Included Accessories



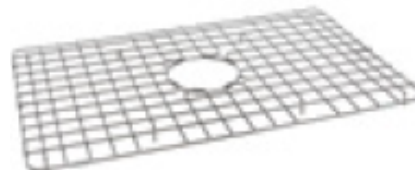
Cutting board



Steel Colander



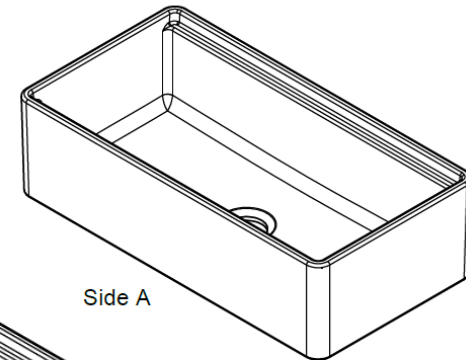
Rollmat



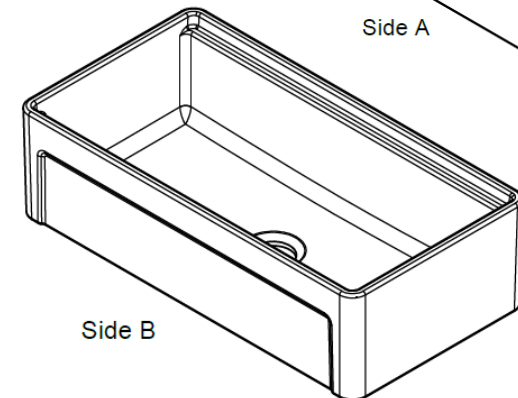
Bottom Grid



Waste Kit



Side A



Side B

CERANOVA



European Craftsmanship:

Crafted from premium European ceramic, renowned for its exceptional durability, flawless finish, and timeless elegance.



Superior Performance:

The dense high-fired material resists thermal shock, scratches, and stains, even under heavy daily use.



Non-Porous Surface:

Prevents absorption, ensuring hygienic and easy cleaning.



Heat Tolerance:

Handles extreme temperatures without compromising the integrity of the ceramic.



Uninterrupted Capacity:

One generous large bowl with no divider means more usable space for big tasks.



Minimalist Look:

Creates a sleek, uncluttered aesthetic to compliment any kitchen style



3-Way Install Flexibility:

Designed for undermount, flush-mount or proud apron front reveals to match any countertop any style detail.

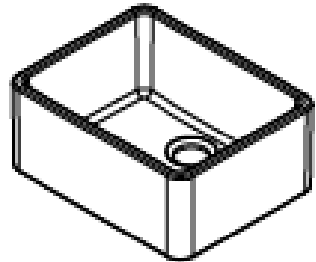


Fully Glazed:

Front, back, sides, and rim are finished so every installation looks intentional and premium.

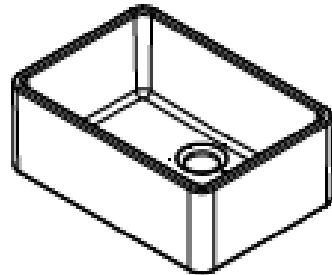
Spacious open bowl crafted from quality materials to simplify every step from prep to plates

24" CABINET



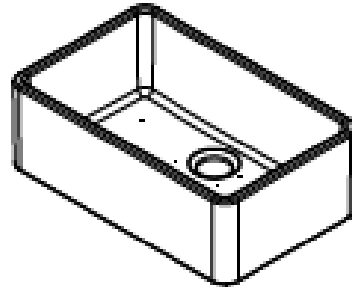
CRK71024-GWH

27" CABINET



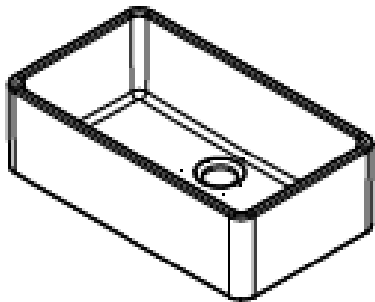
CRK71027-GWH

30" CABINET



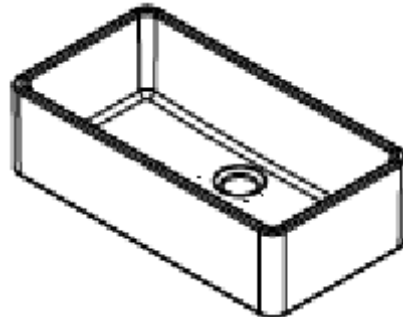
CRK71030-GWH

33" CABINET



CRK71033-GWH

36" CABINET



CRK71036-GWH

BOWL DIMENSIONS: 22", 25", 28", 31", 34"
L to R, all 9.1875" deep

GO TO MARKET: May 2026

ACCESSORIES: Cutting board and
Bottom grid (one for
each size)



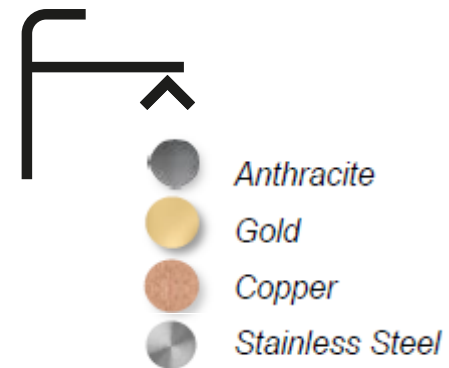
FAUCETS

PESCARA 2.0

May 2026

Precision Engineering

Crafted from 100% stainless steel, these faucets combine precision engineering with a slim contemporary body design. Available in 4 premium finishes.



MARIS STRIPES

July 2026

Harmonize Maris Stripes with Maris Fraganite sinks and coordinated accessories — soap dispenser, push-knob, waste kit and cover — in complementary or contrasting tones to compose a distinguished Franke kitchen system where personalized design and uncompromising performance define your space.







MYTHOS WATERHUB

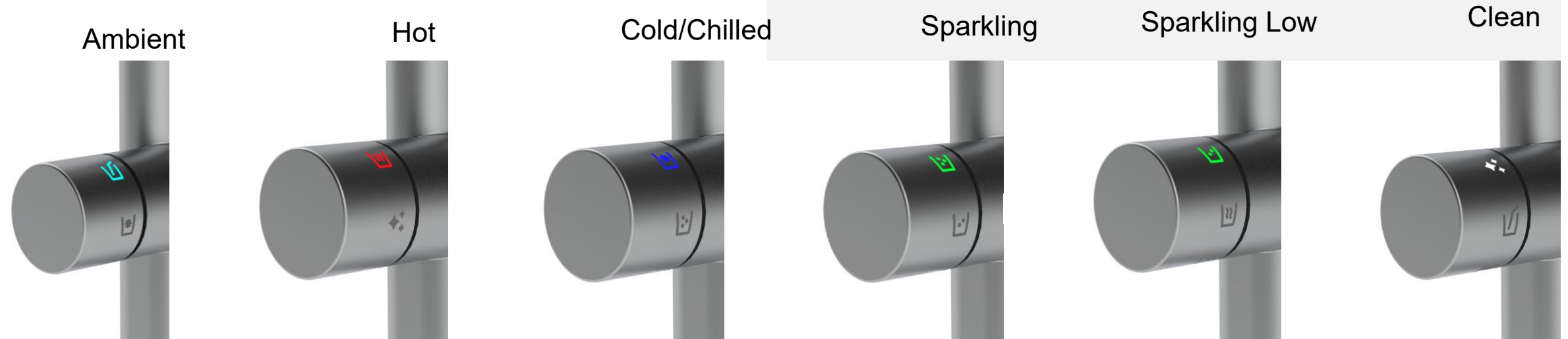
An innovative **6-in-1** home water solution that allows you to easily choose between hot or cold water and four special filtered water functions: instant hot, chilled, ambient, and sparkling.

No need to wait, with a touch of the faucet you can enjoy instant access to your preferred choice of water experience. Truly water your way.



Water your way

Intuitive control knob and new tap cleaning mode for safe maintenance



NEW features

Customize your water experience through a dedicated app and have an overview of usage as well as manage orders whenever is convenient for you

Multifunctional system and one box compact solution, for intuitive and easy handling, and can be easily installed underneath the sink



MYTHOS WATERHUB



MORE CHOICES

**A broader
selection of colors
and styles**



COMMERCIAL

NIGHTINGALE

ELITE

Patient room hand hygiene sink

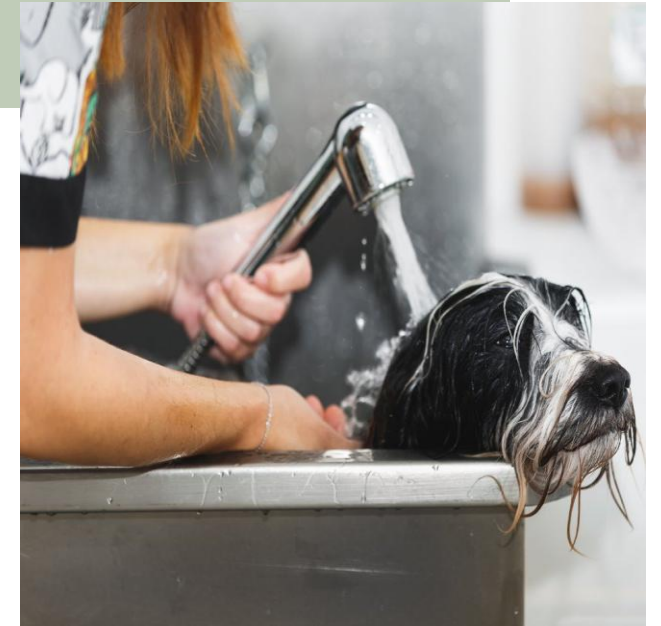
Larger capacity

- ⊕ Building on the success of the Nightingale Series, we're offering a larger capacity model
 - ⊕ Wheelchair accessible
 - ⊕ Solid surface material
 - ⊕ Antimicrobial resin
-



PET WASH STATION

For high-rise and multi-family projects



A dedicated pet wash fixture for residents to use to wash up their pets

**Thank you.
Questions?**

FRANKE

Contact