



POWERFULLY COLD.
PERFECTLY HIDDEN.



36"W. ALL REFRIGERATOR
INTEGRATED CUSTOM PANEL
FDREIC7360 (R/L)
\$9,499



30"W. ALL REFRIGERATOR
INTEGRATED CUSTOM PANEL
FDREIC7300 (R/L)
\$8,999



24"W. ALL REFRIGERATOR
INTEGRATED CUSTOM PANEL
FDREIC7240 (R/L)
\$8,499

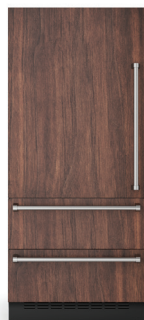


24"W. WINE COLUMN
INTEGRATED CUSTOM PANEL
FDWCIC7240 (R/L)
\$8,499

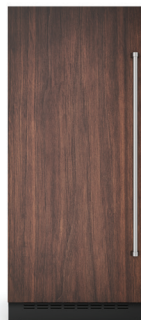


NEW

NEW 30"W. WINE COLUMN
INTEGRATED CUSTOM PANEL
FDWCIC7300 (R/L)
\$8,999



36"W. BOTTOM FREEZER
INTEGRATED CUSTOM PANEL
FDBMIC7360 (R/L)
\$10,299



36"W. ALL FREEZER
INTEGRATED CUSTOM PANEL
FDZIC7360 (R/L)
\$9,499



30"W. ALL FREEZER
INTEGRATED CUSTOM PANEL
FDZIC7300 (R/L)
\$8,999



24"W. ALL FREEZER
INTEGRATED CUSTOM PANEL
FDZIC7240 (R/L)
\$8,499



18"W. ALL FREEZER
INTEGRATED CUSTOM PANEL
FDZIC7180 (R/L)
\$7,999

ALL NEW INTEGRATED REFRIGERATION SALES QUALIFY FOR THE VIKING CONSUMER PROGRAM
TO RECEIVE A FREE PRODUCT OR \$1,000 ALLOWANCE. VISIT VIKINGRANGE.COM/PROMOTIONS



Plasmacluster

EXCLUSIVE! FILTER-FREE FRESHNESS

With exclusive technology only available in Viking Integrated Refrigerators, the **PlasmaCluster™ Ion Air Purifier** utilizes advanced ion technology to eliminate airborne bacteria, mold, and odors to enhance food preservation—keeping food fresher, longer. *Available on Bottom Freezer and All Refrigerators.*



INNOVATIVE INTEGRATION

The **Patented Double Pivot Hinge** allows units to be installed with as little as a **1/8" reveal**. Doors open inward, allowing for hinge-to-hinge installation and maximum accessibility.



CLEARLY INTUITIVE

Full Color Smart Touch TFT Display simplifies navigating through settings and features with clear visuals and intuitive controls.



SUPERIOR FOOD PRESERVATION

Lateral Cooling Technology ensures uniform air circulation and consistent temperatures across every compartment, preserving freshness and reducing spoilage.



BEAUTY AND CONVENIENCE

Stainless Steel Back Wall reflects top and side mounted **LED Lighting** which reduce energy consumption while enhancing visibility. **Repositionable shelves** and **door bins** adapt easily to your storage needs, without ever leaving the rails.



FRESHNESS EXTENDED

The **Low Temp Zone** operates at a temperature that is 2°F to 3°F lower than the rest of the refrigerator, providing the perfect location for meats and other foods that need lower temperature. **Antibacterial Stainless Steel Drawers** in this zone are bead-blasted to resist bacteria and germs. *Available on Bottom Freezer and All Refrigerators.*



PRESERVATION WITH PRESTIGE

Preserve up to 108 bottle of wine in 30" model (up to 72 bottles in 24" model) in the **Dual Zone Wine Column** complete with temperature adjustments from 39°F (4°C) to 64°F (18°C), a **Triple-Pane, Bronzed Glass Door** to protect from harmful UV rays and humidity controls of High/Medium/Low. Two active carbon filters ensure the compartment is free of odors that could enter the wine.

MAKE IT YOUR OWN
INTEGRATED PANEL OPTIONS



CUSTOM PANEL



PROFESSIONAL DOOR + HANDLE KIT



RVL BLACK GLASS DOOR + HANDLE KIT*

*BG not available for use on Wine Columns



RVL STAINLESS STEEL DOOR + HANDLE KIT

DESIGNER-CURATED
COLORS



CHOOSE THE PROFESSIONAL PANEL OPTION AND CUSTOMIZE YOUR KITCHEN WITH ONE OF 18 METICULOUSLY CRAFTED HUES.



ALL NEW INTEGRATED REFRIGERATION SALES QUALIFY FOR THE VIKING CONSUMER PROGRAM TO RECEIVE A FREE PRODUCT OR \$1,000 ALLOWANCE. VISIT VIKINGRANGE.COM/PROMOTIONS

CUTOUT DIMENSIONS

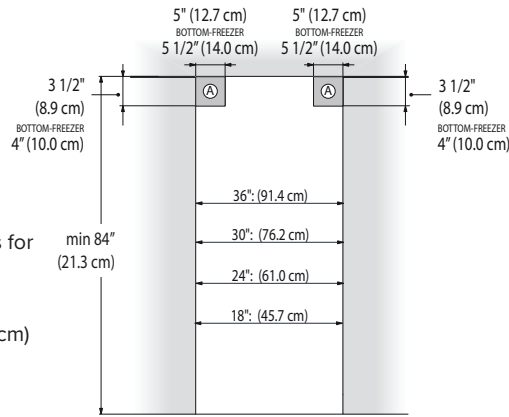
Minimum cutout height:
84" (21.3 cm)

Cutout width:
36" model: 36" (91.4 cm)
30" model: 30" (76.2 cm)
24" model: 24" (61.0 cm)
18" model: 18" (45.7 cm)

Minimum cutout depth:
24" (61.0 cm) + panel thickness for flush installation

Area to be left clear for the anti-tipping brackets: 5" (12.7 cm) for both right and left sides

Appliance height:
83 1/2" (212.0 cm) + 1" (2.5 cm)

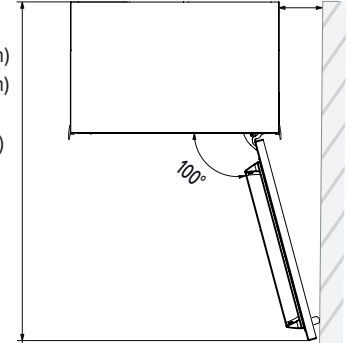


Door Swing Clearance

36" model: 58 5/8" (148.9 cm)
30" model: 52 5/8" (133.8 cm)
24" model: 46 3/4" (118.7 cm)
18" model: 40 3/4" (103.6 cm)

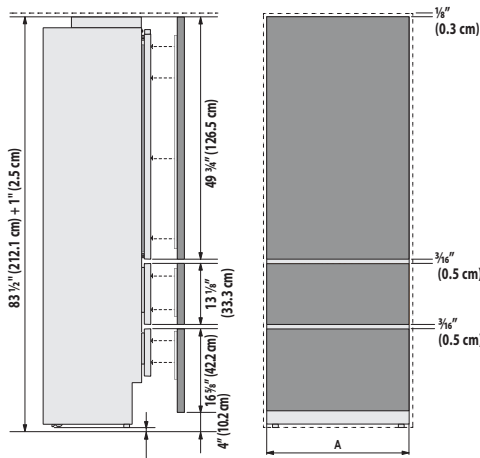
Minimum distance from the wall (hinge side)

36" model: 6 1/4" (15.9 cm)
30" model: 5 1/4" (13.2 cm)
24" model: 4 1/4" (10.8 cm)
18" model: 3 1/4" (8.2 cm)



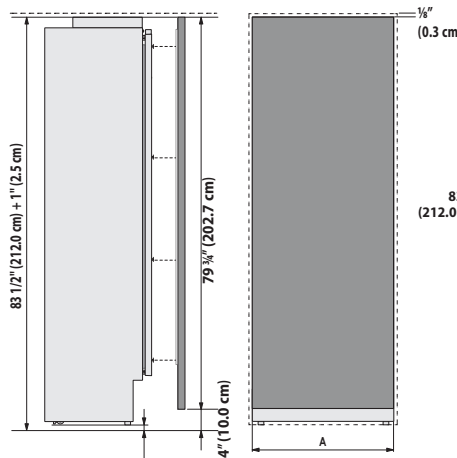
CUSTOM PANEL DIMENSIONS

Bottom-Freezer



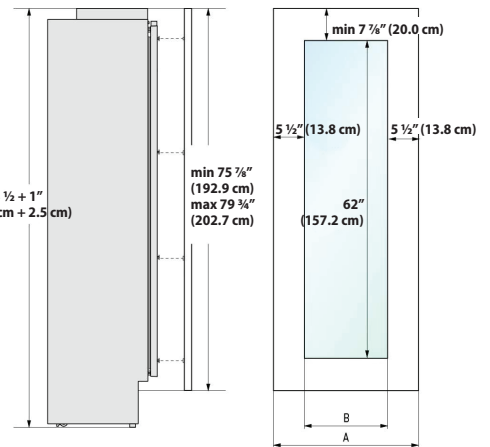
SIZE	A
36"	35 3/4"

Columns



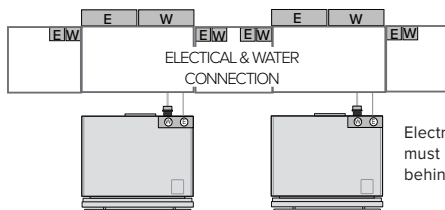
SIZE	A
18"	17 3/4"
24"	23 3/4"
30"	29 3/4"
36"	35 3/4"

Wine Column



SIZE	A	B
24"	23 3/4"	12 7/8"

OVERHEAD VIEW



Electrical or water connections located directly behind the appliance must be recessed. Do not put the water shut-off valve directly behind the appliance. It should be in an accessible location.

ALL NEW INTEGRATED REFRIGERATION SALES QUALIFY FOR THE VIKING CONSUMER PROGRAM TO RECEIVE A FREE PRODUCT OR \$1,000 ALLOWANCE. VISIT VIKINGRANGE.COM/PROMOTIONS