

## INSTALLATION

### Preparation

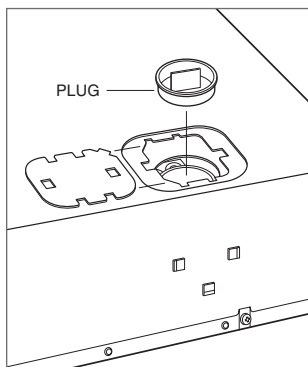
Remove and recycle packing materials. Do not discard the package containing the two screws provided for installation.

Install an anti-tip block against the rear cabinet wall. Verify the screws are adequately secured and do not penetrate electrical wiring or plumbing.

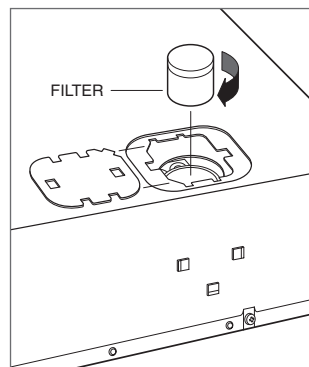
**IMPORTANT NOTE:** The installation hardware is provided with the accessory front panel.

### Installation

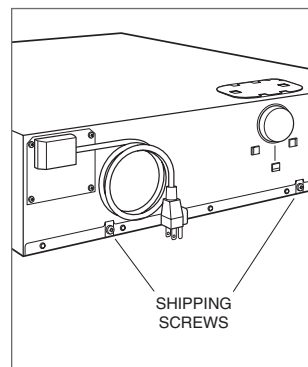
- 1 Place the unit on a protected work surface.
- 2 Slide the filter cover to the side and remove the plug. Refer to the illustration below.
- 3 Insert the filter and rotate clockwise. Refer to the illustration below.
- 4 Slide the cover over the filter.
- 5 Place the plug on the back of unit and remove the two shipping screws. Refer to the illustration below.
- 6 Install the side trim. Refer to the installation instructions provided with the accessory front panel.
- 7 Place the unit near the opening and plug the power cord into the receptacle.
- 8 Slide the unit into the opening.
- 9 Open the drawer to full extension.
- 10 Drill a pilot hole in each mounting hole location. Refer to the illustration below.
- 11 Secure the unit with the screws provided.
- 12 Turn on the electrical supply to the outlet and verify operation.



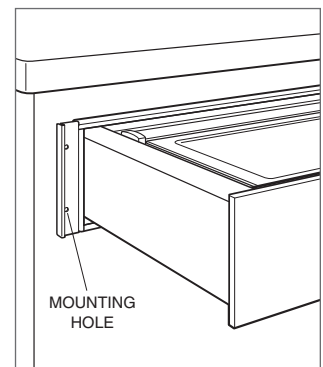
Plug removal



Filter installation



Shipping screw location



Mounting hole location