



## HIGH POWERED. HIGH DESIGN.

This new **Viking RVL Collection** bridges present and future with a fully integrated design that fits seamlessly into surrounding cabinetry. Although its sleek look is decidedly minimal, it boldly conveys Viking performance at a glance. And rest assured, no commercial cooking power was sacrificed for appearance sake. With streamlined silhouettes, a sleek user interface, transitional sizes, and outfitted in stunning black glass this collection gives you limitless contemporary design possibilities that will ignite your culinary passions.

## MODEL NUMBERS

**MVIDC6364BBG** – 36"W. Induction Cooktop with Downdraft

**MVIDC6485BBG** – 48"W. Induction Cooktop with Downdraft

## DESIGN AND INSTALLATION FEATURES

- All black glass front offers a sleek, modern aesthetic to complement any kitchen style
- Electronic touch control ensures effortless operation with a responsive, minimalist interface
- Can be installed flush or integrated, allowing for flexible design options to match any kitchen layout

## COOKING FEATURES

- MagneQuick Induction Elements use magnetic energy for superior power, rapid heat response, and enhanced energy efficiency
  - 30"W. Model – (4) 3,000 watt elements
  - 48"W. Model – (5) 3,000 watt elements
- Nine power levels plus double boost
- Simmer setting provides gentle, consistent heat, ideal for melting delicate ingredients or keeping food warm
- Power management system delivers an extra boost of power for faster boiling and reduced cooking time
- Element lights indicate active heating zones and hot surfaces, enhancing safety during cooking
- Sensor automatically turns off the element when cookware is not detected, preventing unnecessary energy use, while the pause function allows for easy cooking adjustments
- Two timer functions provide precise cooking control, with one dedicated to the cooktop element and another as a standalone timer for multitasking in the kitchen
- Automatic bridge function



**MVIDC6364BBG**



**MVIDC6485BBG**

## DOWNDRAFT FEATURES

- Variable blower speeds with three intense power settings
- Integrated downdraft seamlessly retracts, becoming flush with the cooktop when not in use.
- Variable downdraft heights
- Delay Off setting

## ACCESSORIES

- MVRK36 (GR/BK/WH) – 36"W. Recirculating Kit
- MVRK48 (GR/BK/WH) – 48"W. Recirculating Kit
- CF36IDC – 36" Charcoal Filter
- CF48IDC – 48" Charcoal Filter
- DAKIDC – Duct Adapter Kit

## WARRANTY

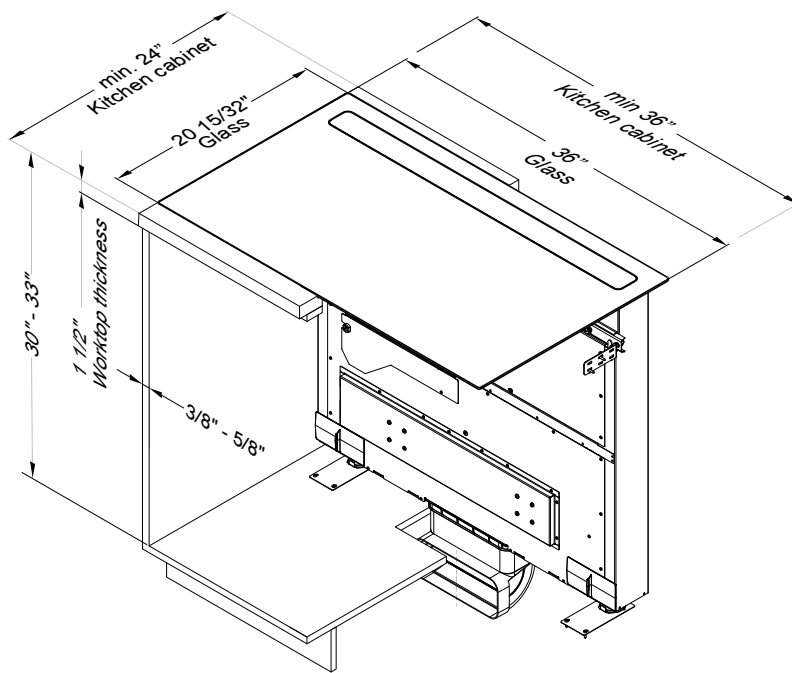
- 2-year full – complete product
- 90-day full – cosmetic parts such as glass, painted items and decorative items
- 5-year limited – induction element components and ventilator motor



Model	MVIDC6364B		MVIDC6485B	
	COOKTOP	DOWNDRAFT	COOKTOP	DOWNDRAFT
Overall Width	36" (91.4 cm)	32-3/8" (82.1 cm)	46-1/2" (118 cm)	43-5/16" (110 cm)
Overall Height	3-1/2" (9 cm)	30-33" (76.2 - 83.8 cm)	3-1/2" (9 cm)	30-33" (76.2-83.8 cm)
Overall Depth	20-1/2" (52 cm)	6-3/8" (16.2 cm)	20-1/2" (52 cm)	6-3/8" (16.2 cm)
Cutout Width	34-1/4" (87 cm)	See details below and in installation guide	45-11/16" (116 cm)	See details below and in installation guide
Cutout Depth	19-11/16" (50 cm)		19-5/16" (49 cm)	
Electrical Requirements	208-240V 2 phase 3X 8AWG conduit/50-60 Hz	110-130V 4' Type B 3 Prong Plug/50-60Hz	208-240V 2 phase 3X 8AWG conduit/50-60 Hz	110-130V 4' Type B 3 Prong Plug/50-60Hz
Max. Amp Usage	40	3.44	50	5.5
Surface Element Rating	(4) 2100/2300/3000w	-	"(4) 2100/2300/3000w (1) 2300/3000w"	-
CFM	-	114/304/444 (Low/Normal/Boost)	-	177/497/663 (Low/Normal/Boost)
Approximate Shipping Weight	32 lb. (14.4 kg)	79 lb. (36 kg)	39 lb. (17.6 kg)	142 lb. (64 kg)

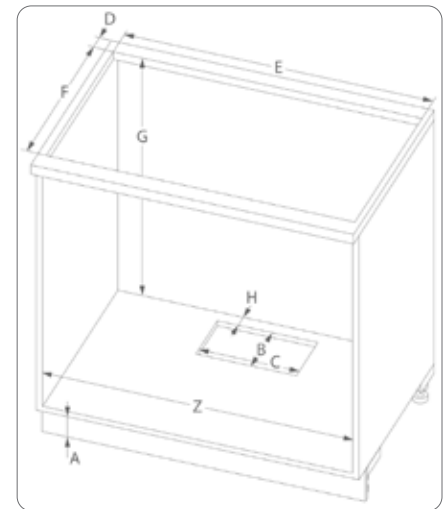
Please do not prepare installation from brochure data only. See installation instructions for important clearance/installation information.

36"W. COOKTOP WITH DOWNDRAFT

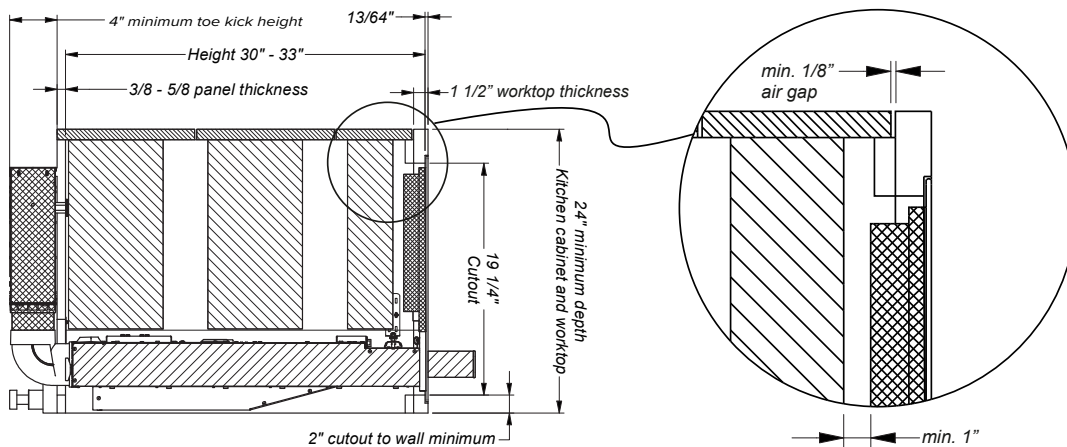


Surface Mounting

Surface mounting with internal height (G) ≥ 30" (≥ 762 mm): Make two cut-outs in bottom of cabinet.



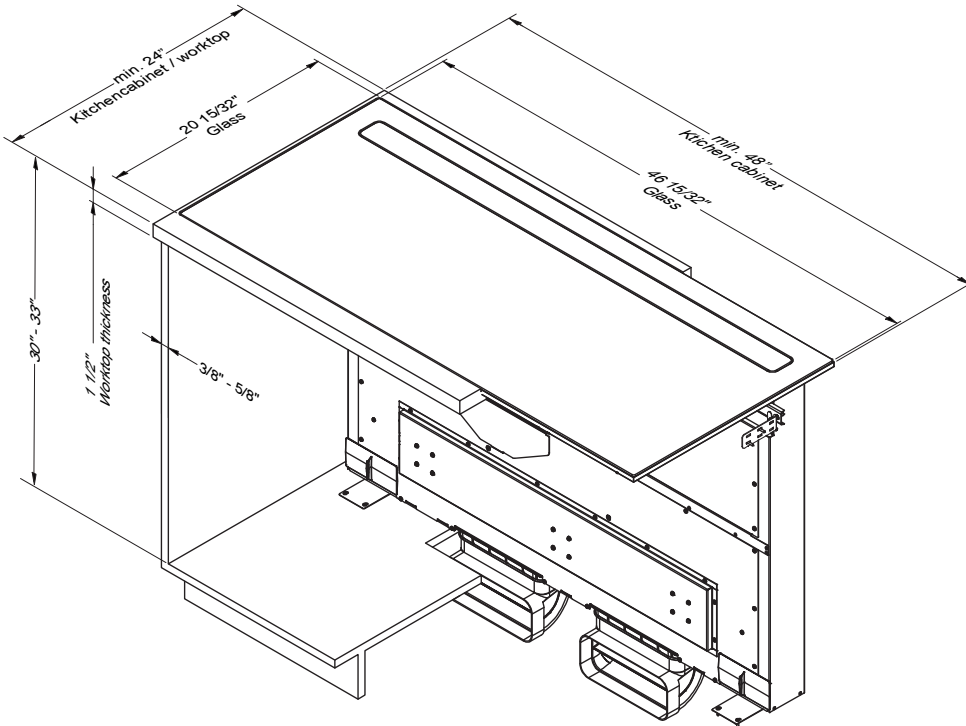
A	Min 4" (100 mm)	F	19-1/4" (489 mm)
B	6-5/16" (160 mm)	G	≥ 30" (≥ 762 mm)
C	11-1/16" (280 mm)	H	Min 2-3/16" (55 mm)
D	Min 2" (51 mm)	Z	Min 33-13/16" (858 mm)
E	33-13/16" (858 mm)		



- Cooktop
- Recirculation box
- Drawers of kitchen cabinet
- Panorama (inclusive tower)

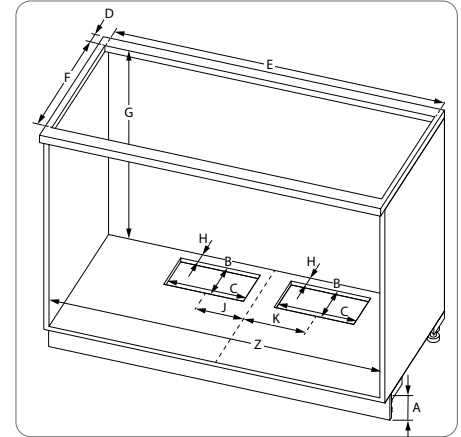


48"W. COOKTOP WITH DOWNDRAFT

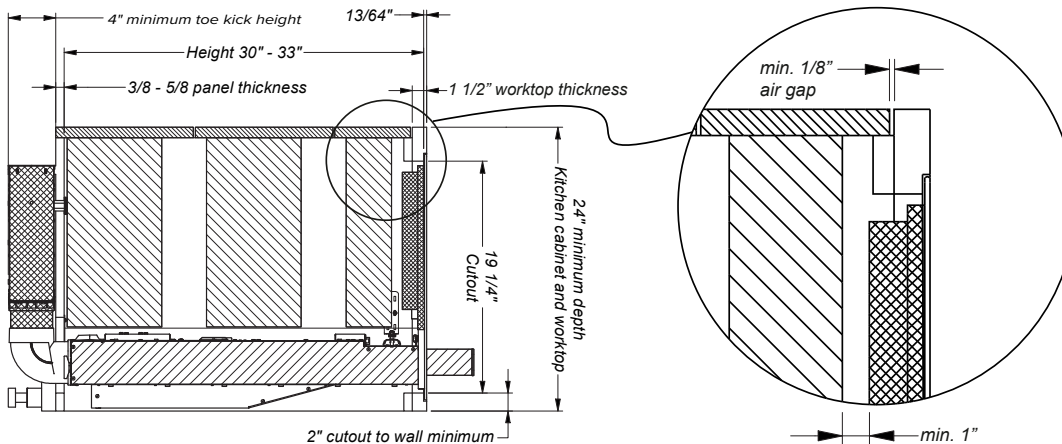


Surface Mounting

Surface mounting with internal height (G) ≥ 30" (≥ 762 mm): Make two cut-outs in bottom of cabinet.



A	Min 4" (100 mm)	H	Min 2-3/16" (55 mm)
B	6-7/8" (175 mm)	J	6-1/8" (155 mm)
C	11-1/16" (280 mm)	K	7-11/16" (195 mm)
D	Min 2" (51 mm)	S	46-5/8" (1184 mm)
E	45-5/8" (1158 mm)	T	20-3/4" (526 mm)
F	19-1/4" (489 mm)	Z	Min 45-5/8" (1158 mm)
G	≥ 30" (≥ 762 mm)		



FIND YOUR LOCAL DEALER AT [VIKINGRANGE.COM](http://VIKINGRANGE.COM)  
FOR PRODUCT INFORMATION, CALL 1-888-845-4641 OR VISIT OUR WEBSITE