

**NEW! VIKING INTEGRATED REFRIGERATION OPTIONS**  
**SEAMLESSLY STYLISH**



**36"W. ALL REFRIGERATOR**  
INTEGRATED CUSTOM PANEL  
**FDREIC7360** (R/L)  
**\$9,499**



**30"W. ALL REFRIGERATOR**  
INTEGRATED CUSTOM PANEL  
**FDREIC7300** (R/L)  
**\$8,999**



**24"W. ALL REFRIGERATOR**  
INTEGRATED CUSTOM PANEL  
**FDREIC7240** (R/L)  
**\$8,499**



**36"W. ALL FREEZER**  
INTEGRATED CUSTOM PANEL  
**FDZIC7360** (R/L)  
**\$9,499**



**30"W. ALL FREEZER**  
INTEGRATED CUSTOM PANEL  
**FDZIC7300** (R/L)  
**\$8,999**



**24"W. ALL FREEZER**  
INTEGRATED CUSTOM PANEL  
**FDZIC7240** (R/L)  
**\$8,499**



**18"W. ALL FREEZER**  
INTEGRATED CUSTOM PANEL  
**FDZIC7180** (R/L)  
**\$7,999**



**36"W. BOTTOM FREEZER**  
INTEGRATED CUSTOM PANEL  
**FDBMIC7360** (R/L)  
**\$10,299**



**24"W. WINE COLUMN**  
INTEGRATED CUSTOM PANEL  
**FDWCIC7240** (R/L)  
**\$8,499**

**ALL NEW INTEGRATED REFRIGERATION SALES QUALIFY FOR THE VIKING CONSUMER PROGRAM**  
TO RECEIVE A FREE PRODUCT OR \$1,000 ALLOWANCE. VISIT [VIKINGRANGE.COM/PROMOTIONS](http://VIKINGRANGE.COM/PROMOTIONS)

## **NEW!** INTEGRATED REFRIGERATION FEATURES

### **SUPERIOR FOOD PRESERVATION**

Uniform air circulation plays a significant role in maintaining consistent temperatures throughout. This consistency ensures that food stored in different compartments gets equal treatment, reducing the chances of spoilage and preserving the freshness of food.

### **FILTER-FREE FRESHNESS**

Exclusive to Viking Integrated Refrigerators, the PlasmaCluster™ Ion Air Purifier utilizes advanced ion technology to eliminate airborne bacteria, mold, and odors to enhance food preservation.

*Available on Bottom Freezer and All Refrigerators.*

### **ENHANCED LIGHTING AND VISIBILITY**

Top and side mounted Energy-efficient LED lighting enhances visibility, making it easier to see what you need. It also reduces energy consumption, which is a win for both convenience and the environment.

### **ANTIBACTERIAL STAINLESS STEEL INTERIOR DRAWERS**

The stainless steel non-porous surface resists bacteria and germs, creating a hygienic environment to keep food fresher for longer. By minimizing the risk of contamination and odor transfer, the surface helps maintain high food quality and shields against the spread of bacteria.

*Available on Bottom Freezer and All Refrigerators.*

### **SOFT-CLOSE SYSTEM**

State-of-the-art closing system ensures refrigerator crisper drawers close smoothly and quietly, while maintaining an airtight seal, which is crucial for keeping fruits and vegetables fresh and crisp.

### **LOW TEMP ZONE**

The crisper drawers operate at a temperature that is about 2 to 3 degrees Fahrenheit lower than the rest of the refrigerator.

*Available on Bottom Freezer and All Refrigerators.*

### **TRIPLE MODE CONVERTIBLE DRAWER**

Enjoy total flexibility with a bottom drawer that can switch between a refrigerator, fresh food space, or freezer, adding tremendous convenience. It allows for adaptation the storage based on your needs, whether hosting a party and needing extra fridge space or stocking up on frozen goods. The touch control display makes it simple to customize the temperature, providing easy control from one mode to another.

*Available on Bottom Freezer.*

### **WATER FILTER ON ALL UNITS**

Every unit comes standard with a water filter for pure water for ice production and internal water dispenser in the All Refrigerator models.

### **DUAL SIZE ICE MAKER AND SUPERICE**

Easily switching between medium and large ice cubes provides a valuable level of customization. Whether it's the perfect ice for a cocktail or a larger cube to keep a drink cold longer, the choice is yours. SuperIce Mode temporarily increase ice cube production for gatherings and parties for 24 hours.

*Available on Bottom Freezer and All Freezers.*

### **WINE COLUMN COMPLETES THE KITCHEN**

Two zone Wine Column maintains the preservation of wine through temperature, humidity control and low vibration. With temperatures from 39°F (4°C) to 64°F (18°C) and humidity controls of high/Medium/Low, store different types of wine in one place. Integrates seamlessly with other Viking Integrated Refrigeration Products to complete the Viking Kitchen.

### **WARRANTY**

- Two Year Full Warranty (Parts and Labor)
- Six Year Full Warranty (Parts and Labor)
  - Refrigeration Sealed System
- Twelve Year Limited Warranty (Parts Only)
  - Refrigeration Sealed System

## MODELS

MODEL	DESCRIPTION	PRICING	
<b>FULL HEIGHT INTEGRATED REFRIGERATION</b>		UMRP	
FDBMIC7360 (R/L)	36"W. Integrated Bottom Freezer - Custom Panel Right or Left Hinge	\$10,299	
FDFZIC7180 (R/L)	18"W. Integrated All Freezer - Custom Panel Right or Left Hinge	\$7,999	
FDFZIC7240 (R/L)	24"W. Integrated All Freezer - Custom Panel Right or Left Hinge	\$8,499	
FDFZIC7300 (R/L)	30"W. Integrated All Freezer - Custom Panel Right or Left Hinge	\$8,999	
FDFZIC7360 (R/L)	36"W. Integrated All Freezer - Custom Panel Right or Left Hinge	\$9,499	
FDREIC7240 (R/L)	24"W. Integrated All Refrigerator - Custom Panel Right or Left Hinge	\$8,499	
FDREIC7300 (R/L)	30"W. Integrated All Refrigerator - Custom Panel or Right Left Hinge	\$8,999	
FDREIC7360 (R/L)	36"W. Integrated All Refrigerator - Custom Panel Right or Left Hinge	\$9,499	
FDWCIC7240 (R/L)	24"W. Integrated Wine Column - Custom Panel Right or Left Hinge	\$8,499	
<b>FULL HEIGHT INTEGRATED DOOR PANELS</b>		SS	ECF*
VI736BDPR (add finish)	36"W. Integrated Bottom Freezer Door Panel - Right Hinge	\$1,299	\$2,899
VI736BDPL (add finish)	36"W. Integrated Bottom Freezer Door Panel - Left Hinge	\$1,299	\$2,899
VI718CDP (add finish)	18"W. Integrated Column Door Panel - Field Reversible	\$799	\$1,999
VI724CDP (add finish)	24"W. Integrated Column Door Panel - Field Reversible	\$899	\$2,299
VI730CDP (add finish)	30"W. Integrated Column Door Panel - Field Reversible	\$999	\$2,599
VI736CDP (add finish)	36"W. Integrated Column Door Panel - Field Reversible	\$1,099	\$2,699
VI724WDPR (add finish)	24"W. Integrated Wine Cellar Door Panel - Right Hinge	\$999	\$2,599
VI724WDPL (add finish)	24"W. Integrated Wine Cellar Door Panel - Left Hinge	\$999	\$2,599
<b>RVL INTEGRATED DOOR PANELS</b>		SS	BG*
MVI636BDP (R/L) (add finish)	36"W. Bottom Freezer Door Panel - Right or Left Hinge	\$1,299	\$5,299
MVI618CDP (R/L) (add finish)	18"W. Column Door Panel - Right or Left Hinge	\$799	\$2,699
MVI624CDP (R/L) (add finish)	24"W. Column Door Panel - Right or Left Hinge	\$899	\$3,099
MVI630CDP (R/L) (add finish)	30"W. Column Door Panel - Right or Left Hinge	\$999	\$3,499
MVI636CDP (R/L) (add finish)	36"W. Column Door Panel - Right or Left Hinge	\$1,099	\$3,899

\* When adding finish use BG for RVL Black Glass or the two character color code below for Exclusive Color Finishes

## DESIGNER-CURATED COLOR COLLECTION

Antique Bronze (AN), Blush (BH), Cast Black (CS), Damascus Gray (DG), Eucalyptus (EU), Ivy (IV), Martini (MA), November Sky (NS), Slate Blue (SB), Spiced Cider (SC), Splash (SP), Daffodil (DA), Golden Hour (GH), Nantucket (NA), Onyx (ON), Pure White (PW), Squall (SQ), Valentine (VA)



**ALL NEW INTEGRATED REFRIGERATION SALES QUALIFY FOR THE VIKING CONSUMER PROGRAM TO RECEIVE A FREE PRODUCT OR \$1,000 ALLOWANCE. VISIT [VIKINGRANGE.COM/PROMOTIONS](http://VIKINGRANGE.COM/PROMOTIONS)**

### CUTOUT DIMENSIONS

**Minimum cutout height:**

84" (21.3 cm)

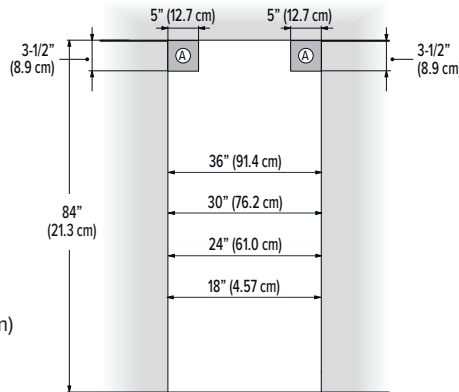
**Cutout width:**

36" model: 36" (91.4 cm)  
 30" model: 30" (76.2 cm)  
 24" model: 24" (61.0 cm)  
 18" model: 18" (45.7 cm)

**Minimum cutout depth:**

25" (63.5 cm)

**Area to be left clear for the anti-tipping brackets:** 5" (12.7 cm) for both right and left sides

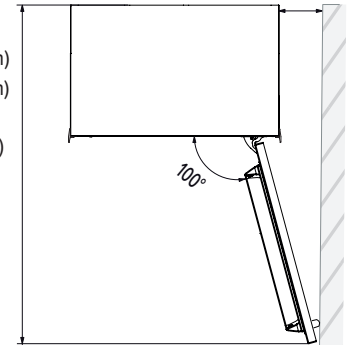


**Door Swing Clearance**

36" model: 58 5/8" (148.9 cm)  
 30" model: 52 5/8" (133.8 cm)  
 24" model: 46 3/4" (118.7 cm)  
 18" model: 40 3/4" (103.6 cm)

**Minimum distance from the wall (hinge side)**

36" model: 6 1/4" (15.8 cm)  
 30" model: 5 1/4" (13.2 cm)  
 24" model: 4 1/4" (10.8 cm)  
 18" model: 3 1/4" (8.2 cm)

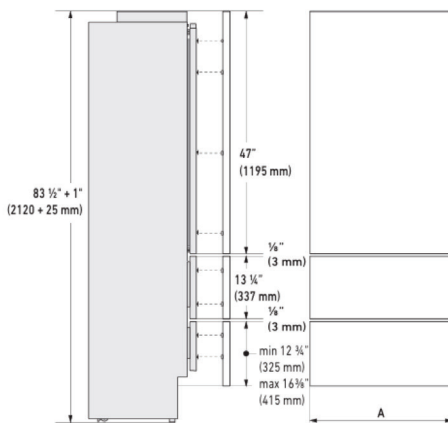


### CUSTOM PANEL DIMENSIONS

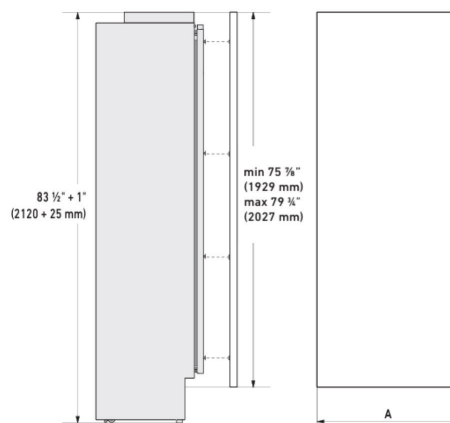
**Bottom-Freezer**

**Columns**

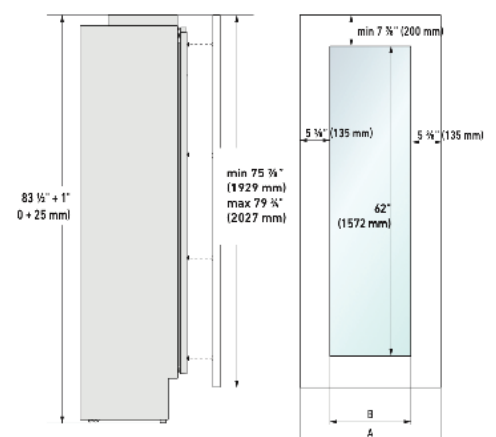
**Wine Column**



SIZE	A
36"	35 3/4"



SIZE	A
18"	17 3/4"
24"	23 3/4"
30"	29 3/4"
36"	35 3/4"



SIZE	A	B
24"	23 3/4"	12 7/8"