



HBN5 Series

Technology



True iQ Blower System, powered by TrueCFM technology, guarantees performance with automatic, real-time calibration; 620 or 1240 TrueCFM



Detects heat from the cooktop and automatically adjusts fan speed based on heat as well as humidity and VOC pollutants



Wi-Fi, Bluetooth and voice activation capabilities enable hands-free operation



Code Ready Technology® can limit airflow to 300, 400 or 600 CFM to comply with local make-up air code requirements



EZ Install bracket system allows for simplified installation

Features

- Less than 0.3 sones at low speed with True iQ Blower System
- Correlated Color Temperature (CCT) technology allows users to match range hood lighting with kitchen lighting from 2700K to 5000K



Compatible with the BEST Kitchen Mobile App

best®

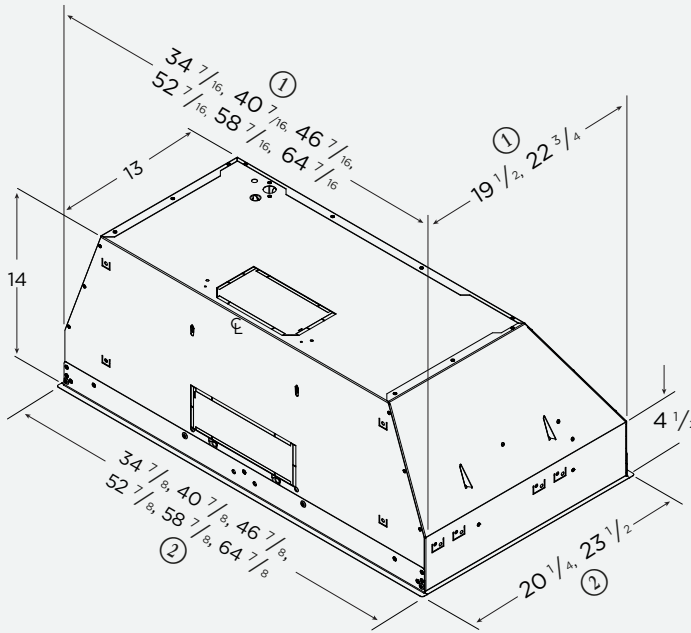
PERFORMANCE THAT INSPIRES

At **BEST**, we make high-performance range hoods that perform beautifully. Astonishingly quiet. Impressively effective. Remarkably efficient. And perfectly suited for the most distinguished kitchens.

Whether it's the centerpiece of the room or letting its surroundings shine, **BEST** is where high-end performance inspires.



Installation height above the cooking surface: 24"-30" *
Dimensions shown in inches.



Note: Specification drawing dimensions and cutout dimensions assume the use of all four trims around the unit. **Front and back trims can be removed. Side trims are not removable.**

- ① Top width and depth measurements on the specification drawing include the screws/rivets that hold the trims in place.
- ② Bottom width and depth measurements on the specification drawing include the trims and indicate the true width and depth of the entire unit.

* Exceeding 30" installation height is the installer's choice and may result in reduced capture. Add 100 CFM for every 3" above this height.



If needed, ask a recommended installer to limit discharge to 300, 400 or 600 CFM.

HOOD SIZES*

Internal Blower, Single - Depth: 20 1/4"

36" HBN53696SS

Internal Blower, Dual - Depth: 20 1/4"

36" HBN536912SS
42" HBN542912SS
48" HBN548912SS

Internal Blower, Dual - Depth: 23 1/2"

36" HBN536212SS**
48" HBN548212SS
54" HBN554212SS
60" HBN560212SS
66" HBN566212SS

* For exact dimensions, please refer to installation, use and care instructions.
** Coming Q3 2025

FEATURES

Finish	Brushed Stainless Steel (Grade 430)
Lighting Type	LED Modules (6W per module)
Number of Modules	2 (36" to 48" hoods) 4 (54" to 66" hoods)
Lighting Levels	8
Light Modules Included	Yes
Correlated Color Temperature (CCT)	8 color temperature options from 2700K to 5000K (more options in the BEST Kitchen app)
Control Type	8-speed Capacitive Touch Slider
Control Features	Heat Sentry™, Delay-off, Wi-Fi/Bluetooth Connectivity, Voice Control, SmartSense Pro, Filter Clean Reminder
Remote Control	BEST Kitchen app
Filter Type	Hybrid Baffle
Non-ducted Capability	No

HOOD BLOWER INCLUDED

TrueCFM	620 CFM (HBN53696SS) 1240 CFM (other models)
----------------	---

ACCESSORIES

ADA Kit	HAWRK5
Universal MUA Damper	MD8TU or MD10TU
Power Cord Kit	HCK44

INSTALLATION REQUIREMENTS

Amps @ 120V	5 (HBN53696SS) 7.5 (other models)
Electrical Connection	Direct Wire
Duct Size	8" or 3/4" x 10" (HBN53696SS) 10" (other models)
Duct Direction	Vertical (round) or Horizontal (rectangular only)
Backdraft Damper	Included

HBN5 SERIES CUTOUT DIMENSIONS

Model	Cutout W x D
HBN53696SS	34 1/2"W x 19 5/8"D
HBN536912SS	34 1/2"W x 19 5/8"D
HBN536212SS	34 1/2"W x 22 7/8"D
HBN542912SS	40 1/2"W x 19 5/8"D
HBN548912SS	46 1/2"W x 19 5/8"D
HBN548212SS	46 1/2"W x 22 7/8"D
HBN554212SS	52 1/2"W x 22 7/8"D
HBN560212SS	58 1/2"W x 22 7/8"D
HBN566212SS	64 1/2"W x 22 7/8"D

Note: For standard retrofit applications, HBN5 units should fit into existing cutouts of discontinued CP5 units. The height of HBN5 units is 14", which is 3" more than CP5 units.

HVI PERFORMANCE

Single Blower

Speed	SONES							
	1 (0.01 in. w.g.)	2*	3*	4*	5*	6*	7*	8 (0.1 in. w.g.)
8" round Vertical	< 0.3	< 0.3	0.4	1.4	3.0	4.0	6.5	8.5
3 3/4" x 10" Horizontal	< 0.3	0.4	1.0	2.0	4.0	5.0	7.5	10

Speed	CFM								
	1 (0.01 in. w.g.)	2*	3*	4*	5*	6*	7*	8 (0.25 in. w.g.)	8 (0.1 in. w.g.)
8" round Vertical	120	150	190	260	340	400	520	600	620
3 3/4" x 10" Horizontal	110	140	190	260	340	400	500	590	600

Dual Blower

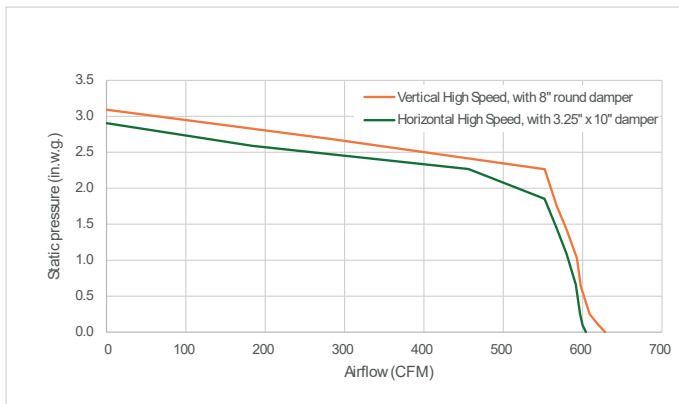
Speed	SONES							
	1 (0.01 in. w.g.)	2*	3*	4*	5*	6*	7*	8 (0.1 in. w.g.)
10" round Vertical	< 0.3	0.3	1.0	2.5	4.5	5.5	8.5	11.5

Speed	CFM								
	1 (0.01 in. w.g.)	2*	3*	4*	5*	6*	7*	8 (0.25 in. w.g.)	8 (0.1 in. w.g.)
10" round Vertical	200	320	410	560	730	830	1040	1235	1240

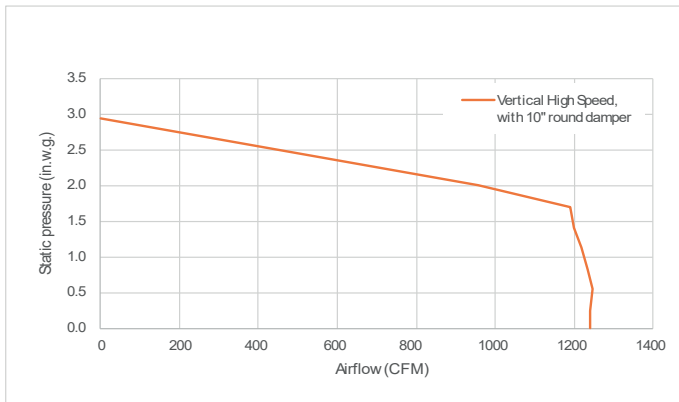
* Where noted performance rating is not HVI certified.

AIRFLOW PERFORMANCE

Single Blower



Dual Blower



HVI-2100 CERTIFIED RATINGS comply with new testing technologies and procedures prescribed by the Home Ventilating Institute, for off-the-shelf products, as they are available to consumers. Product performance is rated at .01 in. and 0.25 in. static pressure at high speed based on tests conducted in an HVI-approved state-of-the-art test laboratory. Sones are a measure of humanly-perceived loudness, based on laboratory measurements.



BESTRANGEHOODS.COM

USA 800-558-1711
CANADA 800-567-3855

1117503B 05/25

