

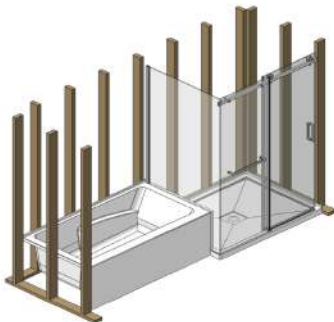
# oceania

PRICE LIST USA  
**2025**



# Bath index

Bath name	Dimensions	Shape*	Seat(s)	Alcove	Drop-in	Undermount	Freestanding	Low profile	Tile flange	Front skirt	Air System	Water Depth		
												Regular	overflow	Linear
Tahoe 55	55x31x23			✓	✓	✓	✓	✓	O	NA	✓	NA	15 3/4" 40 cm	50
Chilko 57	57x34x23						✓		NA	NA	✓	NA	15 1/4" 39 cm	5
Romy 59	59x31x27						✓		NA	NA	✓	NA	16" 41 cm	30
Minto 59	59x32x22						✓		NA	NA	✓	NA	16 1/8" 41 cm	21
Viele 28	60x28x21			✓					I	O	✓	NA	15 1/2" 39 cm	56
City6030	60x30x18			✓					I	I	✓	13" 33 cm	14" 35 cm	7
Pure 603016	60x30x16			✓					I	I		11 1/2" 29 cm	12 1/2" 32 cm	27
Pure 6030	60x30x18			✓					I	I	✓	13" 33 cm	14" 35 cm	26
Viele 6030	60x30x21			✓	✓	✓		✓	O	O	✓	NA	15 1/2" 39 cm	57
Sublime 6030	60x30x22			✓					I	O	✓	15 3/4" 40 cm	16 3/4" 43 cm	39
Urbania 6031	60x31x17,5			✓**					I	I		11 7/8" 28 cm	12 7/8" 30 cm	52
Loft 6031	60x31x22			✓**					I	I	✓	14 1/2" 37 cm	15 1/2" 39 cm	13
Suite 6031	60x31x22			✓**					I	I	✓	14 1/2" 37 cm	15 1/2" 39 cm	42
City 6032	60x32x18			✓					I	I	✓	13" 33 cm	14" 35 cm	8
Pure 6032	60x32x18			✓					I	I	✓	13" 33 cm	14" 35 cm	28
Viele 6032	60x32x21			✓	✓	✓		✓	O	O	✓	NA	15 1/2" 39 cm	57



**Optimale Series**  
Please refer to the online selector for configurations and list prices.  
<https://optimale.globalsecuresystem.com/us>

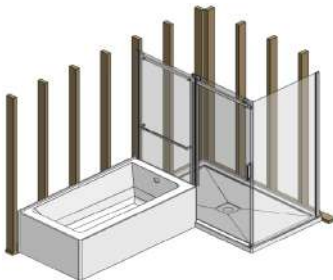
\*Drawings are for reference only and may not be to scale.

\*\*Other possible configurations.

I = Integrated O = Optional NA = Not available

# Bath index

Bath name	Dimensions	Shape*	Seat(s)	Alcove	Drop-in	Undermount	Freestanding	Low profile	Tile flange	Front skirt	Air System	Water Depth		
												Regular	overflow	Linear
<b>Sublime 6032</b>	60x32x22			✓	✓	✓		✓	O	O	✓	15 3/4" 40 cm	16 3/4" 43 cm	40
<b>Rose 60</b>	60x35x21				✓	✓			NA	NA	✓	15" 38 cm	NA	33
<b>Viele 6036</b>	60x36x21			✓	✓	✓		✓	O	O	✓	NA	15 1/2" 39 cm	58
<b>Rupert</b>	62x34x22						✓		NA	NA	✓	NA	16 3/4" 43 cm	34
<b>Sikome</b>	63x31x28						✓		NA	NA	✓	NA	15 3/4" 40 cm	36
<b>Mystic</b>	64x33x22						✓		NA	NA	✓	NA	16" 40,6 cm	23
<b>Chilko 64</b>	64x36x22						✓		NA	NA	✓	NA	15 1/2" 39 cm	6
<b>Minto 65</b>	65x34x22						✓		NA	NA	✓	NA	16 1/8" 41 cm	21
<b>Rose 65</b>	65x35x21				✓	✓			NA	NA	✓	15" 38 cm	NA	33
<b>Primrose 65</b>	65x30x27						✓		NA	NA	✓	NA	16 3/8" 41 cm	25
<b>Suite 6631</b>	66x31x22			✓**					I	I	✓	14 1/2" 37 cm	15 1/2" 39 cm	46
<b>Loft 6631</b>	66x31x22			✓**					I	I	✓	14 1/2" 37 cm	15 1/2" 39 cm	17
<b>Viele 6632</b>	66x32x21			✓	✓	✓		✓	O	O	✓	NA	15 1/2" 39 cm	58
<b>Pure 66</b>	66x32x18			✓					I	I	✓	13" 33 cm	14" 35 cm	29
<b>Sublime 6632</b>	66x32x21,5			✓					I	O	✓	15" 38 cm	16" 41 cm	41
<b>City 66</b>	66x34x20,5			✓					I	I	✓	14 1/2" 37 cm	15 1/2" 39 cm	9
<b>Sublime 6634</b>	66x34x21			✓	✓	✓			O	O	✓	15" 38 cm	16" 41 cm	40
<b>Kelowna</b>	66x34x22						✓		NA	NA	✓	NA	15" 38 cm	10



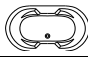


















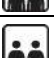


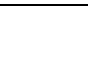

**Optimale Series**  
Please refer to the online selector for configurations and list prices.  
<https://optimale.globalsecuresystem.com/us>

\*Drawings are for reference only and may not be to scale.

\*\*Other possible configurations.

I = Integrated O = Optional NA = Not available

# Bath index

Bath name	Dimensions	Shape*	Seat(s)	Alcove	Drop-in	Undermount	Freestanding	Low profile	Tile flange	Front skirt	Air System	Water Depth		
												Regular	overflow	Linear
<b>Sophia 66</b>	66x36x23,5				✓	✓	✓		NA	NA	✓	17 1/8" 43,5 cm	18 1/8" 46 cm	37
<b>Tahoe 66</b>	66 x 36 x 25			✓	✓	✓	✓	✓	O	NA	✓	NA	18" 46 cm	51
<b>Romy 67</b>	67x34x28						✓		NA	NA	✓	NA	16" 40,6 cm	31
<b>Muskoka</b>	67x36x22						✓		NA	NA	✓	NA	15 1/4" 39 cm	22
<b>Primrose 70</b>	70x36x27						✓		NA	NA	✓	NA	16 3/8" 41 cm	25
<b>Legende</b>	71x41,5x24				✓		✓		NA	NA	✓	17 1/2" 44 cm	18 1/2" 47 cm	11
<b>Viele 7232</b>	72x32x21			✓	✓	✓		✓	O	O	✓	NA	15 1/2" 39 cm	59
<b>Liberty Relax</b>	72x32x22				✓	✓		✓	O	O	✓	15 1/2" 39 cm	16 1/2" 42 cm	12
<b>Freedom</b>	72x36x21			✓	✓	✓		✓	O	O	✓	15 1/2" 39 cm	16 1/2" 42 cm	10
<b>Viele 7236</b>	72x36x21			✓	✓	✓		✓	O	O	✓	NA	15 1/2" 39 cm	59
<b>Sophia 72</b>	72x41,5x23				✓	✓			NA	NA	✓	17 1/4" 44 cm	18 1/4" 46 cm	38
<b>Nature</b>	74x42x23				✓	✓			O	O	✓	17 1/4" 44 cm	18 1/4" 46 cm	24

## Table of contents for other sections

	Page
Tile flanges for baths	60
Corner showers	61
Shower bases and doors	63
Shower bases without flanges and doors	67
Shower Base Screens	68
Bath Screens	69
HYDRIA bathtub doors	69
Shower doors	70
Doors dimensions	73
Drains and overflows	75
General options	76
Color chart	78
Return of goods policy	79

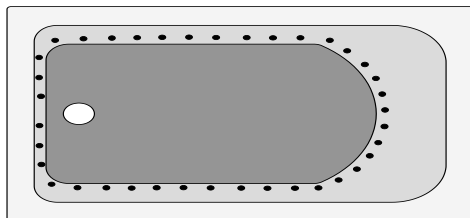
\*Drawings are for reference only and may not be to scale.

\*\*Other possible configurations.

I = Integrated O = Optional NA = Not available

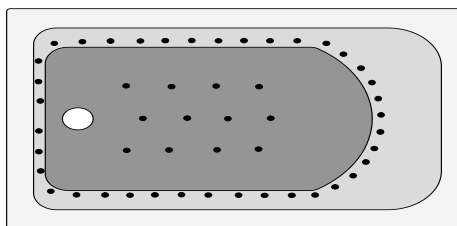
## Product features

### AeroMassage™



- 30 to 60 Easy Clean™ flush hot-air jets strategically placed along the lower perimeter of the tub.

### Super AeroMassage™



- AeroMassage™ system, with an extra 12 Easy Clean™ flush hot-air jets positioned on the bottom of the tub.

### Standard Features for Air Bath Systems

### AeroMassage™ and Super AeroMassage™

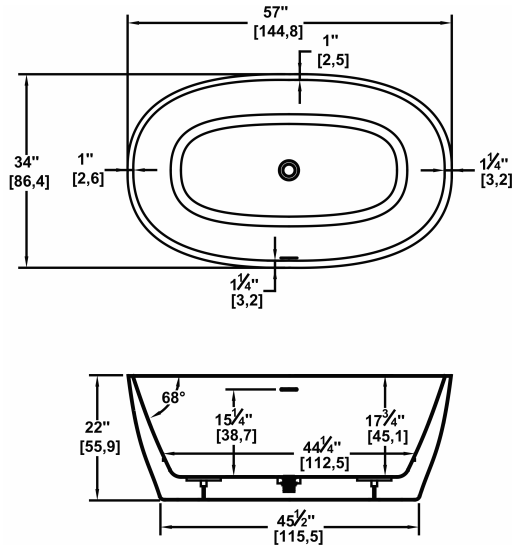
- ⇒ 1½ bhp SuperSilent™ Blower with a Tranquility Plus™ muffler (68 dB)
- ⇒ Electronic water sensors inside channels
- ⇒ 600W integrated ceramic heating element
- ⇒ Wave, pulsating and variable speed modes
- ⇒ Automatic water sensing Purge/Dry Cycle
- ⇒ Keypad is color coordinated to our standard bath color
- ⇒ Adjustable feet
- ⇒ 20 year limited warranty on structure, surface and blower
- ⇒ 5 year limited warranty on electronic keypad and remote control

## Chilko 57 Freestanding

### One-piece freestanding bath

57" x 34" x 22" [144,8 cm x 86,4 cm x 55,9 cm]  
48 IMP Gal. / 62.60 US Gal. / 218.20 Liters

#### Authentik Signature Series



Complete Technical specifications at [www.oceania-attitude.com](http://www.oceania-attitude.com) will prevail at all times

#### Retail price

Product Code	Model	Price
<b>CH57</b>	Soaker	<b>4,496 \$</b>
<b>CH57AM</b>	AeroMassage™	<b>8,262 \$</b>
<b>Not available</b>	Super AeroMassage™	<b>N/A</b>
<b>Not available</b>	Linear cutout	<b>N/A</b>

Standard color : White(01)

Returns accepted on white product only

#### Options\*\*

	Code	Add
Exterior MATTE BLACK finish	EXT48M	2490 \$
Exterior MATTE WHITE acrylic	EXT01M	1486 \$
Exterior MATTE CUSTOM COLOR	EXTXXM	2490 \$
Glossy black acrylic exterior	EXT48	1609 \$
Interior/Exterior MATTE WHITE acrylic	INT-EXT01M	1812 \$
Drain cover - White	INF101	INCL
Drain cover - Chrome	INF114	194 \$
Drain cover - Matte Black	INF148M	194 \$
Chromatherapy lights	MLC	1203 \$
Floor drain for freestanding baths	FBQD	416 \$
Heated backrest (one)	DCHB1	765 \$
Heated backrest (two)	DCHB2	1049 \$

**WARNING: The interior is available in white only.**

Default exterior finish : white acrylic. The overflow is factory installed, the white drain is included but not installed. When ordered with AeroMassage, blower must be remote mounted. If system, delivered with keypad not installed and remote control is included.

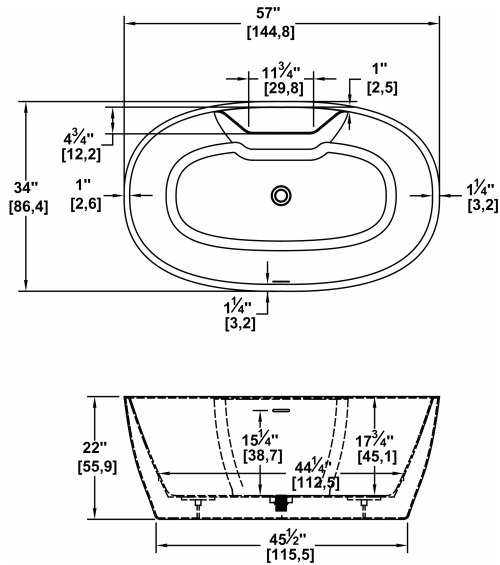
\*\*See the options chart on pages 75 to 78 of this document for all available colors and finishes.

## Chilko 57 with faucet deck

### One-piece freestanding bath

57" x 34" x 22" [144,8 cm x 86,4 cm x 55,9 cm]  
46 IMP Gal. / 60.00 US Gal. / 209.10 Liters

#### Authentik Signature Series



Complete Technical specifications at [www.oceania-attitude.com](http://www.oceania-attitude.com) will prevail at all times

#### Retail price

Product Code	Model	Price
<b>CH57DMF</b>	Soaker	<b>4,496 \$</b>
<b>CH57DMFAM</b>	AeroMassage™	<b>8,262 \$</b>
<b>Not available</b>	Super AeroMassage™	<b>N/A</b>
<b>Not available</b>	Linear cutout	<b>N/A</b>

Standard color : White(01)

Returns accepted on white product only

#### Options\*\*

	Code	Add
Exterior MATTE BLACK finish	EXT48M	2490 \$
Exterior MATTE WHITE acrylic	EXT01M	1486 \$
Exterior MATTE CUSTOM COLOR	EXTXXM	2490 \$
Glossy black acrylic exterior	EXT48	1609 \$
Interior/Exterior MATTE WHITE acrylic	INT-EXT01M	1812 \$
Drain cover - White	INF101	INCL
Drain cover - Chrome	INF114	194 \$
Drain cover - Matte Black	INF148M	194 \$
Chromatherapy lights	MLC	1203 \$
Floor drain for freestanding baths	FBQD	416 \$
Heated backrest (one)	DCHB1	765 \$
Heated backrest (two)	DCHB2	1049 \$

**WARNING: The interior is available in white only.**

Default exterior finish : white acrylic. The overflow is factory installed, the white drain is included but not installed. When ordered with AeroMassage, blower must be remote mounted. If system, delivered with keypad not installed and remote control is included.

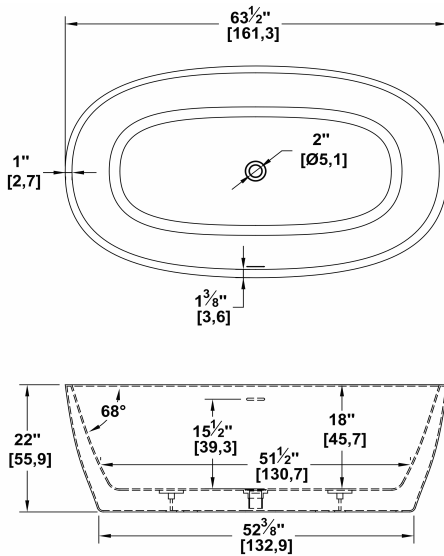
\*\*See the options chart on pages 75 to 78 of this document for all available colors and finishes.

# Chilko 64 Freestanding

## One-piece freestanding bath

64" x 36.5" x 22" [162,6 cm x 92,7 cm x 55,9 cm]  
55 IMP Gal. / 71.70 US Gal. / 250.00 Liters

### Authentik Signature Series



Complete Technical specifications at [www.oceania-attitude.com](http://www.oceania-attitude.com) will prevail at all times

#### Retail price

Product Code	Model	Price
<b>CH64</b>	Soaker	<b>4,587 \$</b>
<b>CH64AM</b>	AeroMassage™	<b>8,341 \$</b>
<b>Not available</b>	Super AeroMassage™	<b>N/A</b>
<b>Not available</b>	Linear cutout	<b>N/A</b>

Standard color : White(01)

Returns accepted on white product only

#### Options\*\*

	Code	Add
Exterior MATTE BLACK finish	EXT48M	2490 \$
Exterior MATTE WHITE acrylic	EXT01M	1486 \$
Exterior MATTE CUSTOM COLOR	EXTXXM	2490 \$
Glossy black acrylic exterior	EXT48	1609 \$
Interior/Exterior MATTE WHITE acrylic	INT-EXT01M	1812 \$
Drain cover - White	INF101	INCL
Drain cover - Chrome	INF114	194 \$
Drain cover - Matte Black	INF148M	194 \$
Chromatherapy lights	MLC	1203 \$
Floor drain for freestanding baths	FBQD	416 \$
Heated backrest (one)	DCHB1	765 \$
Heated backrest (two)	DCHB2	1049 \$

**WARNING: The interior is available in white only.**

*Default exterior finish : white acrylic. The overflow is factory installed, the white drain is included but not installed. When ordered with AeroMassage, blower must be remote mounted. If system, delivered with keypad not installed and remote control is included.*

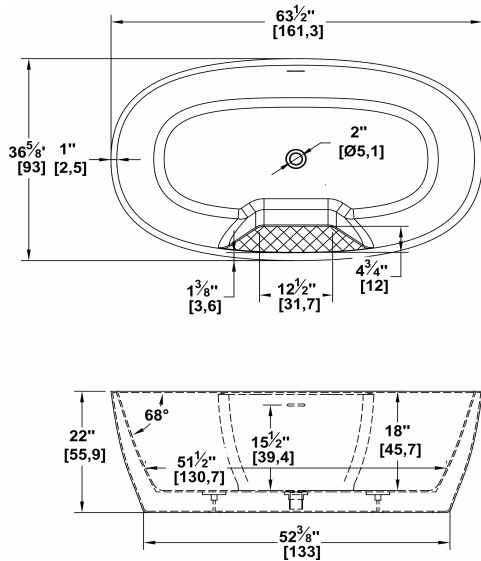
**\*\*See the options chart on pages 75 to 78 of this document for all available colors and finishes.**

# Chilko 64 with faucet deck

## One-piece freestanding bath

64" x 36.5" x 22" [162,6 cm x 92,7 cm x 55,9 cm]  
52 IMP Gal. / 67.80 US Gal. / 236.40 Liters

### Authentik Signature Series



Complete Technical specifications at [www.oceania-attitude.com](http://www.oceania-attitude.com) will prevail at all times

#### Retail price

Product Code	Model	Price
<b>CH64DMF</b>	Soaker	<b>4,587 \$</b>
<b>CH64DMFAM</b>	AeroMassage™	<b>8,341 \$</b>
<b>Not available</b>	Super AeroMassage™	<b>N/A</b>
<b>Not available</b>	Linear cutout	<b>N/A</b>

Standard color : White(01)

Returns accepted on white product only

#### Options\*\*

	Code	Add
Exterior MATTE BLACK finish	EXT48M	2490 \$
Exterior MATTE WHITE acrylic	EXT01M	1486 \$
Exterior MATTE CUSTOM COLOR	EXTXXM	2490 \$
Glossy black acrylic exterior	EXT48	1609 \$
Interior/Exterior MATTE WHITE acrylic	INT-EXT01M	1812 \$
Drain cover - White	INF101	INCL
Drain cover - Chrome	INF114	194 \$
Drain cover - Matte Black	INF148M	194 \$
Chromatherapy lights	MLC	1203 \$
Floor drain for freestanding baths	FBQD	416 \$
Heated backrest (one)	DCHB1	765 \$
Heated backrest (two)	DCHB2	1049 \$

**WARNING: The interior is available in white only.**

*Default exterior finish : white acrylic. The overflow is factory installed, the white drain is included but not installed. When ordered with AeroMassage, blower must be remote mounted. If system, delivered with keypad not installed and remote control is included.*

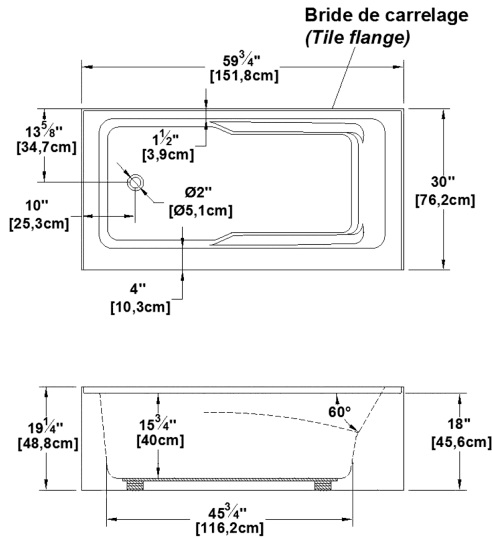
**\*\*See the options chart on pages 75 to 78 of this document for all available colors and finishes.**

## City 6030 (left hand drain)

Alcove installation, flanges on 3 sides

*Integrated front skirt*

60" x 30" x 18" [152,4 cm x 76,2 cm x 45,7 cm]  
33 IMP Gal. / 43.00 US Gal. / 150.00 Liters



Complete Technical specifications at [www.oceania-attitude.com](http://www.oceania-attitude.com) will prevail at all times

### Retail price

Product Code	Model	Price
<b>CI6030L</b>	Soaker	<b>1,762 \$</b>
<b>CI6030LAM</b>	AeroMassage™	<b>5,915 \$</b>
<b>Not available</b>	Super AeroMassage™	<b>N/A</b>
<b>CI6030LLI</b>	Linear cutout	<b>1,762 \$</b>

Standard color : White(01)

Returns accepted on white product only

### Options\*\*

	Code	Add
White acrylic grab bar (each)	G01	227 \$
Acrylic Biscuit Color	INT02	1609 \$
Acrylic Black Color	INT48	1609 \$
No front skirt, cut at 2" high	JC2	0 \$
Chromatherapy lights	MLC	1203 \$
White floating remote control	RC01	623 \$
Chrome Linear overflow and drain	BDW-114	377 \$
Drain & Overflow PVC / Chromed brass	WOCO14	390 \$
Heated backrest (one)	DCHB1	765 \$

*Integrated acrylic tile flanges. If system, delivered with keypad not installed. Only one grab bar can be factory installed.*

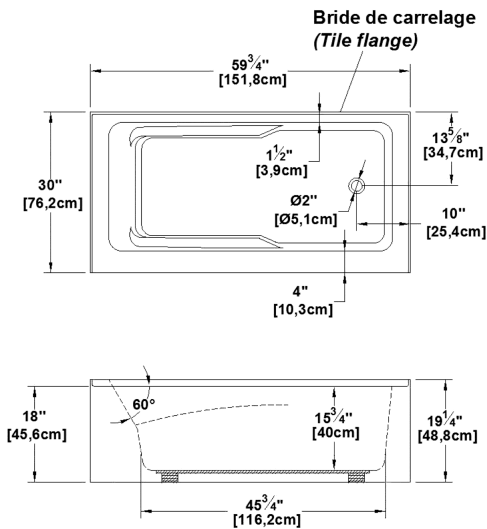
*\*\*See the options chart on pages 75 to 78 of this document for all available colors and finishes.*

## City 6030 (right hand drain)

Alcove installation, flanges on 3 sides

*Integrated front skirt*

60" x 30" x 18" [152,4 cm x 76,2 cm x 45,7 cm]  
33 IMP Gal. / 43.00 US Gal. / 150.00 Liters



Complete Technical specifications at [www.oceania-attitude.com](http://www.oceania-attitude.com) will prevail at all times

### Retail price

Product Code	Model	Price
<b>CI6030R</b>	Soaker	<b>1,762 \$</b>
<b>CI6030RAM</b>	AeroMassage™	<b>5,915 \$</b>
<b>Not available</b>	Super AeroMassage™	<b>N/A</b>
<b>CI6030RLI</b>	Linear cutout	<b>1,762 \$</b>

Standard color : White(01)

Returns accepted on white product only

### Options\*\*

	Code	Add
White acrylic grab bar (each)	G01	227 \$
Acrylic Biscuit Color	INT02	1609 \$
Acrylic Black Color	INT48	1609 \$
No front skirt, cut at 2" high	JC2	0 \$
Chromatherapy lights	MLC	1203 \$
White floating remote control	RC01	623 \$
Chrome Linear overflow and drain	BDW-114	377 \$
Drain & Overflow PVC / Chromed brass	WOCO14	390 \$
Heated backrest (one)	DCHB1	765 \$

*Integrated acrylic tile flanges. If system, delivered with keypad not installed. Only one grab bar can be factory installed.*

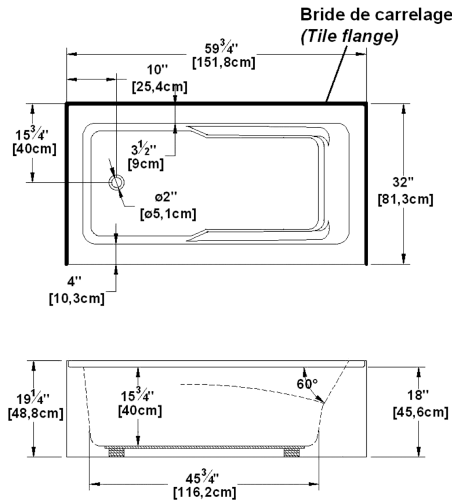
*\*\*See the options chart on pages 75 to 78 of this document for all available colors and finishes.*

## City 6032 (left hand drain)

Alcove installation, flanges on 3 sides

*Integrated front skirt*

60" x 32" x 18" [152,4 cm x 76,2 cm x 45,7 cm]  
33 IMP Gal. / 43.00 US Gal. / 150.00 Liters



Complete Technical specifications at [www.oceania-attitude.com](http://www.oceania-attitude.com) will prevail at all times

**Retail price**

Product Code	Model	Price
<b>CI60L</b>	Soaker	<b>1,762 \$</b>
<b>CI60LAM</b>	AeroMassage™	<b>5,915 \$</b>
<b>Not available</b>	Super AeroMassage™	<b>N/A</b>
<b>CI60LLI</b>	Linear cutout	<b>1,762 \$</b>

Standard color : White(01)

Returns accepted on white product only

**Options\*\***

	Code	Add
White acrylic grab bar (each)	G01	227 \$
Acrylic Biscuit Color	INT02	1609 \$
Acrylic Black Color	INT48	1609 \$
No front skirt, cut at 2" high	JC2	0 \$
Chromatherapy lights	MLC	1203 \$
White floating remote control	RC01	623 \$
Chrome Linear overflow and drain	BDW-114	377 \$
Drain & Overflow PVC / Chromed brass	WOCO14	390 \$
Heated backrest (one)	DCHB1	765 \$

*Integrated acrylic tiles flanges. If system, delivered with keypad not installed. Only one grab bar can be factory installed.*

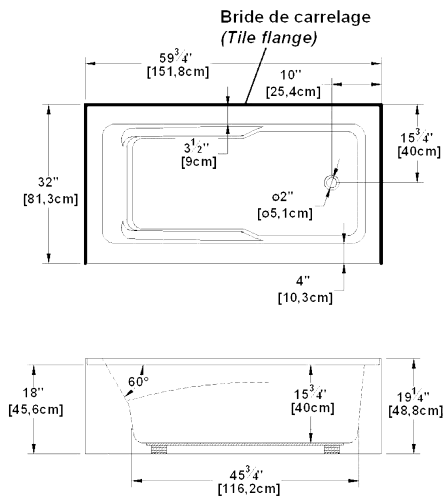
**\*\*See the options chart on pages 75 to 78 of this document for all available colors and finishes.**

## City 6032 (right hand drain)

Alcove installation, flanges on 3 sides

*Integrated front skirt*

60" x 32" x 18" [152,4 cm x 76,2 cm x 45,7 cm]  
33 IMP Gal. / 43.00 US Gal. / 150.00 Liters



Complete Technical specifications at [www.oceania-attitude.com](http://www.oceania-attitude.com) will prevail at all times

**Retail price**

Product Code	Model	Price
<b>CI60R</b>	Soaker	<b>1,762 \$</b>
<b>CI60RAM</b>	AeroMassage™	<b>5,915 \$</b>
<b>Not available</b>	Super AeroMassage™	<b>N/A</b>
<b>CI60RLI</b>	Linear cutout	<b>1,762 \$</b>

Standard color : White(01)

Returns accepted on white product only

**Options\*\***

	Code	Add
White acrylic grab bar (each)	G01	227 \$
Acrylic Biscuit Color	INT02	1609 \$
Acrylic Black Color	INT48	1609 \$
No front skirt, cut at 2" high	JC2	0 \$
Chromatherapy lights	MLC	1203 \$
White floating remote control	RC01	623 \$
Chrome Linear overflow and drain	BDW-114	377 \$
Drain & Overflow PVC / Chromed brass	WOCO14	390 \$
Heated backrest (one)	DCHB1	765 \$

*Integrated acrylic tiles flanges. If system, delivered with keypad not installed. Only one grab bar can be factory installed.*

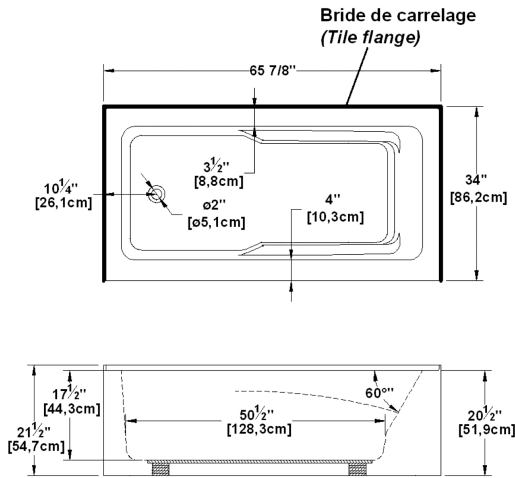
**\*\*See the options chart on pages 75 to 78 of this document for all available colors and finishes.**

## City 66 (left hand drain)

Alcove installation, flanges on 3 sides

### Integrated front skirt

66" x 34" x 20.5" [167,6 cm x 86,4 cm x 52,1 cm]  
57 IMP Gal. / 74.30 US Gal. / 259.10 Liters



#### Retail price

Product Code	Model	Price
<b>CI66L</b>	Soaker	<b>2,312 \$</b>
<b>CI66LAM</b>	AeroMassage™	<b>6,636 \$</b>
<b>CI66LSA</b>	Super AeroMassage™	<b>7,674 \$</b>
<b>CI66LLI</b>	Linear cutout	<b>2,312 \$</b>

Standard color : White(01)

Returns accepted on white product only

#### Options\*\*

	Code	Add
White acrylic grab bar (each)	G01	227 \$
Acrylic Biscuit Color	INT02	1609 \$
Acrylic Black Color	INT48	1609 \$
No front skirt, cut at 2" high	JC2	0 \$
Chromatherapy lights	MLC	1203 \$
White floating remote control	RC01	623 \$
Chrome Linear overflow and drain	BDW-114	377 \$
Drain & Overflow PVC / Chromed brass	WOCO14	390 \$
Heated backrest (one)	DCHB1	765 \$

Complete Technical specifications at [www.oceania-attitude.com](http://www.oceania-attitude.com) will prevail at all times

Integrated acrylic tiles flanges. If system, delivered with keypad not installed. Only one grab bar can be factory installed.

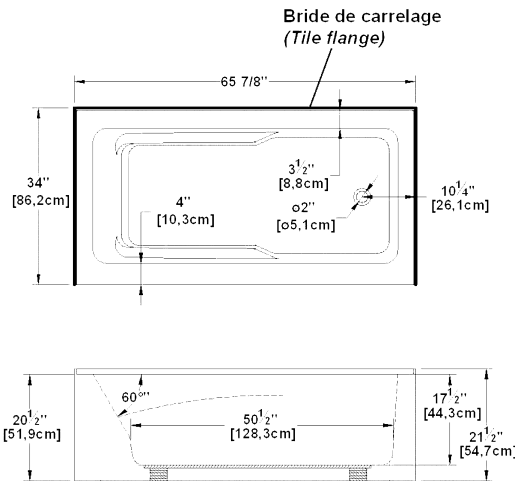
\*\*See the options chart on pages 75 to 78 of this document for all available colors and finishes.

## City 66 (right hand drain)

Alcove installation, flanges on 3 sides

### Integrated front skirt

66" x 34" x 20.5" [167,6 cm x 86,4 cm x 52,1 cm]  
57 IMP Gal. / 74.30 US Gal. / 259.10 Liters



#### Retail price

Product Code	Model	Price
<b>CI66R</b>	Soaker	<b>2,312 \$</b>
<b>CI66RAM</b>	AeroMassage™	<b>6,636 \$</b>
<b>CI66RSA</b>	Super AeroMassage™	<b>7,674 \$</b>
<b>CI66RLI</b>	Linear cutout	<b>2,312 \$</b>

Standard color : White(01)

Returns accepted on white product only

#### Options\*\*

	Code	Add
White acrylic grab bar (each)	G01	227 \$
Acrylic Biscuit Color	INT02	1609 \$
Acrylic Black Color	INT48	1609 \$
No front skirt, cut at 2" high	JC2	0 \$
Chromatherapy lights	MLC	1203 \$
White floating remote control	RC01	623 \$
Chrome Linear overflow and drain	BDW-114	377 \$
Drain & Overflow PVC / Chromed brass	WOCO14	390 \$
Heated backrest (one)	DCHB1	765 \$

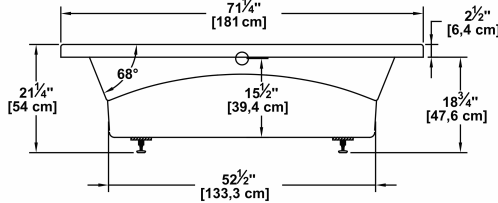
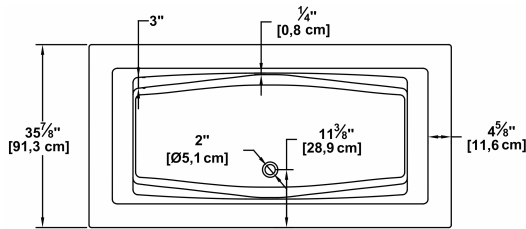
Complete Technical specifications at [www.oceania-attitude.com](http://www.oceania-attitude.com) will prevail at all times

Integrated acrylic tiles flanges. If system, delivered with keypad not installed. Only one grab bar can be factory installed.

\*\*See the options chart on pages 75 to 78 of this document for all available colors and finishes.

# Freedom

72" x 36" x 21.5" [182,9 cm x 91,4 cm x 54,6 cm]  
52 IMP Gal. / 67.80 US Gal. / 236.40 Liters



Complete Technical specifications at [www.oceania-attitude.com](http://www.oceania-attitude.com) will prevail at all times

### Retail price

Product Code	Model	Price
<b>FR72AR</b>	Soaker	<b>3,310 \$</b>
<b>FR72ARAM</b>	AeroMassage™	<b>6,271 \$</b>
<b>FR72ARSA</b>	Super AeroMassage™	<b>8,308 \$</b>
<b>FR72ARLI</b>	Linear cutout	<b>3,310 \$</b>

Standard color : White(01)

Returns accepted on white product only

### Options\*\*

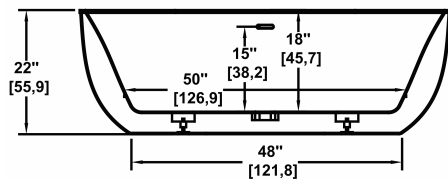
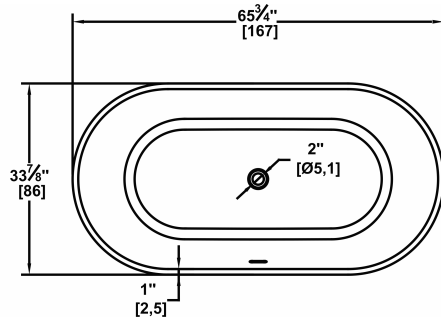
	Code	Add
White acrylic grab bar (each)	G01	227 \$
Acrylic Biscuit Color	INT02	1609 \$
Acrylic Black Color	INT48	1609 \$
Removable White Skirt Panel for 72" baths	JA72	1352 \$
Low-Profile bath lip	LP	346 \$
Chromatherapy lights	MLC	1203 \$
White floating remote control	RC01	623 \$
Tile flange for baths, see page 60	TF	240 \$
Chrome Linear overflow and drain	BDW-114	377 \$
Drain & Overflow PVC / Chromed brass	WOCO14	390 \$
Heated backrest (one)	DCHB1	765 \$
Heated backrest (two)	DCHB2	1049 \$

*Keypad supplied but not installed when ordered with tiles flanges or remote control.*

**\*\*See the options chart on pages 75 to 78 of this document for all available colors and finishes.**

## Kelowna 66 Freestanding

### Authentik Signature Series



Complete Technical specifications at [www.oceania-attitude.com](http://www.oceania-attitude.com) will prevail at all times

### One-piece freestanding bath

66" x 34" x 22" [167,0 cm x 86,4 cm x 55,9 cm]  
49 IMP Gal. / 63.90 US Gal. / 222.70 Liters

### Retail price

Product Code	Model	Price
<b>KE66</b>	Soaker	<b>4,940 \$</b>
<b>KE66AM</b>	AeroMassage™	<b>8,814 \$</b>
<b>Not available</b>	Super AeroMassage™	<b>N/A</b>
<b>Not available</b>	Linear cutout	<b>N/A</b>

Standard color : White(01)

Returns accepted on white product only

### Options\*\*

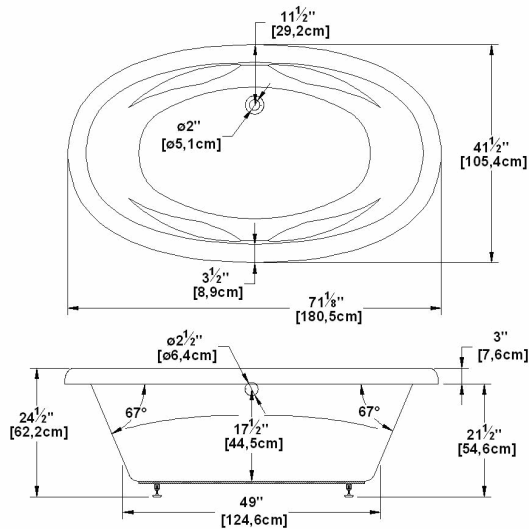
	Code	Add
Glossy black acrylic exterior	EXT48	1609 \$
Exterior MATTE WHITE acrylic	EXT01M	1486 \$
Exterior MATTE BLACK finish	EXT48M	2490 \$
Exterior MATTE CUSTOM COLOR	EXTXXM	2490 \$
Interior/Exterior MATTE WHITE acrylic	INT-EXT01M	1812 \$
Drain cover - White	INF101	INCL
Drain cover - Chrome	INF114	194 \$
Drain cover - Matte Black	INF148M	194 \$
Chromatherapy lights	MLC	1203 \$
Floor drain for freestanding baths	FBQD	416 \$
Heated backrest (one)	DCHB1	765 \$
Heated backrest (two)	DCHB2	1049 \$

**WARNING: The interior is available in white only.**

*Default exterior finish : white acrylic. The overflow is factory installed, the white drain is included but not installed. When ordered with AeroMassage, blower must be remote mounted. If system, delivered with keypad not installed and remote control is included.*

**\*\*See the options chart on pages 75 to 78 of this document for all available colors and finishes.**

71" x 41.5" x 24" [180,3 cm x 105,4 cm x 61,0 cm]  
66 IMP Gal. / 86.10 US Gal. / 300.00 Liters



Complete Technical specifications at [www.oceania-attitude.com](http://www.oceania-attitude.com) will prevail at all times

### Retail price

Product Code	Model	Price
<b>LE42</b>	Soaker	<b>3,310 \$</b>
<b>LE42AM</b>	AeroMassage™	<b>6,112 \$</b>
<b>LE42SA</b>	Super AeroMassage™	<b>7,647 \$</b>
<b>LE42LI</b>	Linear cutout	<b>3,310 \$</b>

Standard color : White(01)

Returns accepted on white product only

### Options\*\*

	Code	Add
White acrylic grab bar (each)	G01	227 \$
Acrylic Biscuit Color	INT02	1609 \$
Acrylic Black Color	INT48	1609 \$
Chromatherapy lights	MLC	1203 \$
Chrome Linear overflow and drain	BDW-114	377 \$
Drain & Overflow PVC / Chromed brass	WOCO14	390 \$
Heated backrest (one)	DCHB1	765 \$
Heated backrest (two)	DCHB2	1049 \$

**WARNING: Faucets must be installed on the wall or floor (not on bath).**

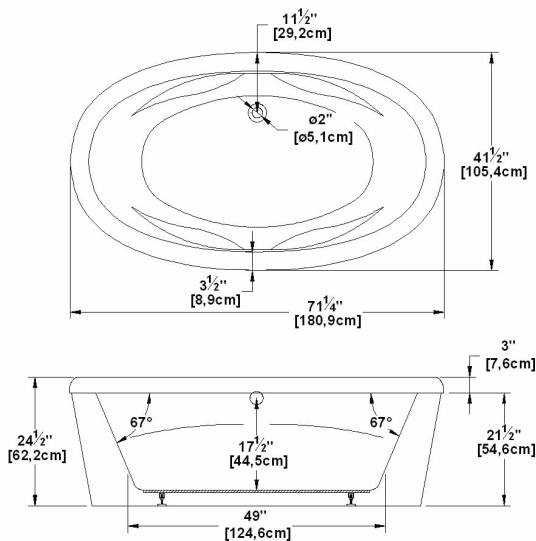
*If equipped with an air bath system, delivered with keypad not installed and remote control is included. The Chromatherapy option is only available with the AeroMassage and Super AeroMassage options.*

**\*\*See the options chart on pages 75 to 78 of this document for all available colors and finishes.**

## Legende Freestanding

without pedestal

71" x 41.5" x 24" [180,3 cm x 105,4 cm x 61,0 cm]  
66 IMP Gal. / 86.10 US Gal. / 300.00 Liters



Complete Technical specifications at [www.oceania-attitude.com](http://www.oceania-attitude.com) will prevail at all times

### Retail price

Product Code	Model	Price
<b>LE42FS</b>	Soaker	<b>6,064 \$</b>
<b>LE42FSAM</b>	AeroMassage™	<b>8,111 \$</b>
<b>LE42FSSA</b>	Super AeroMassage™	<b>9,382 \$</b>
<b>LE42FSLI</b>	Linear cutout	<b>6,064 \$</b>

Standard color : White(01)

Returns accepted on white product only

### Options\*\*

	Code	Add
White acrylic grab bar (each)	G01	227 \$
Glossy black acrylic exterior	EXT48	1609 \$
Chromatherapy lights	MLC	1203 \$
Floor drain for freestanding baths	FBQD	416 \$
Chrome Linear overflow and drain	BDW-114	377 \$
Flexible Drain & Overflow / Chromed brass	WOCOSBS14	620 \$
Heated backrest (one)	DCHB1	765 \$
Heated backrest (two)	DCHB2	1049 \$

**WARNING: Faucets must be installed on the wall or floor (not on bath). The interior is available in white only.**

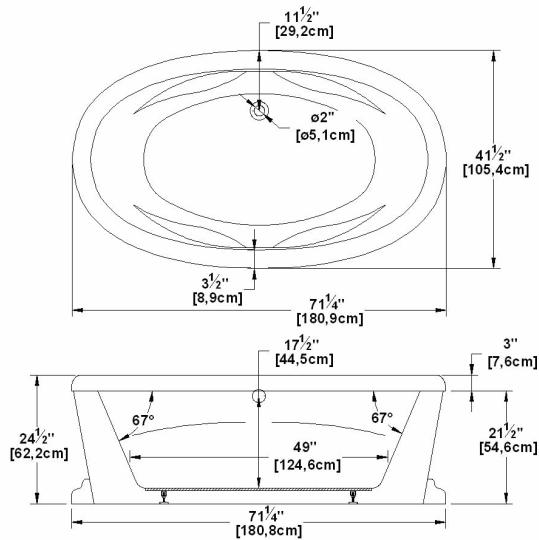
*Default exterior finish : white acrylic. Over-flow must be installed with flexible piping. If equipped with an air bath system, delivered with keypad not installed and remote control is included. When ordered with air jet system, blower must be remote mounted.*

**\*\*See the options chart on pages 75 to 78 of this document for all available colors and finishes.**

# Legende Freestanding

71" x 41.5" x 24" [180,3 cm x 105,4 cm x 61,0 cm]  
66 IMP Gal. / 86.10 US Gal. / 300.00 Liters

with pedestal



Complete Technical specifications at [www.oceania-attitude.com](http://www.oceania-attitude.com) will prevail at all times

Product Code	Model	Price
LE42PD	Soaker	6,754 \$
LE42PDAM	AeroMassage™	8,720 \$
LE42PDSA	Super AeroMassage™	9,995 \$
LE42PDLI	Linear cutout	6,754 \$

Standard color : White(01) Returns accepted on white product only

Options**	Code	Add
White acrylic grab bar (each)	G01	227 \$
Chromatherapy lights	MLC	1203 \$
Floor drain for freestanding baths	FBQD	416 \$
Chrome Linear overflow and drain	BDW-114	377 \$
Flexible Drain & Overflow / Chromed brass	WOCOSBS14	620 \$
Heated backrest (one)	DCHB1	765 \$
Heated backrest (two)	DCHB2	1049 \$

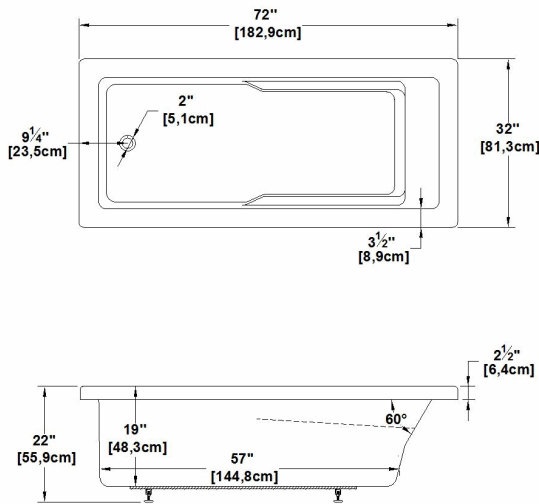
**WARNING: Faucets must be installed on the wall or floor (not on bath). Available in white only.**

*Over-flow must be installed with flexible piping. If equipped with an air bath system, delivered with keypad not installed and remote control is included. When ordered with air jet system, blower must be remote mounted.*

**\*\*See the options chart on pages 75 to 78 of this document for all available colors and finishes.**

# Liberty relax

72" x 32" x 22" [182,9 cm x 81,3 cm x 55,9 cm]  
54 IMP Gal. / 70.40 US Gal. / 245.50 Liters



Complete Technical specifications at [www.oceania-attitude.com](http://www.oceania-attitude.com) will prevail at all times

Product Code	Model	Price
LC72	Soaker	3,369 \$
LC72AM	AeroMassage™	6,389 \$
LC72SA	Super AeroMassage™	7,405 \$
LC72LI	Linear cutout	3,369 \$

Standard color : White(01) Returns accepted on white product only

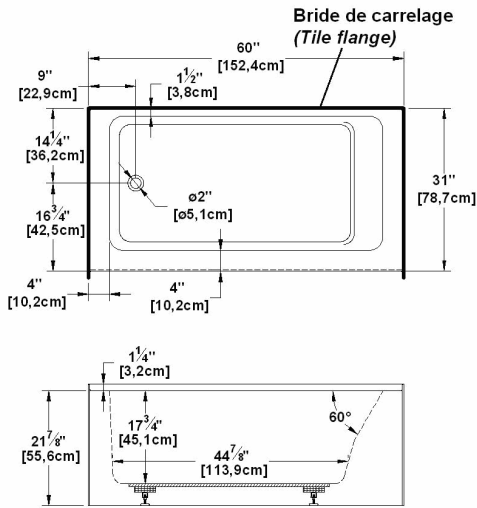
Options**	Code	Add
White acrylic grab bar (each)	G01	227 \$
Acrylic Biscuit Color	INT02	1609 \$
Acrylic Black Color	INT48	1609 \$
Removable White Skirt Panel for 72" baths	JA72	1352 \$
Low-Profile bath lip	LP	346 \$
Chromatherapy lights	MLC	1203 \$
White floating remote control	RC01	623 \$
Tile flange for baths, see page 60	TF	240 \$
Chrome Linear overflow and drain	BDW-114	377 \$
Drain & Overflow PVC / Chromed brass	WOCO14	390 \$
Heated backrest (one)	DCHB1	765 \$

**Keypad supplied but not installed when ordered with tile flanges or remote control.**

**\*\*See the options chart on pages 75 to 78 of this document for all available colors and finishes.**

## Loft 6031 L-SF

### Left hand drain, 1 Skirt (Front)



### 1 integrated skirt

60" x 31" x 22" [152,4 cm x 78,7 cm x 55,9 cm]  
42 IMP Gal. / 54.80 US Gal. / 190.90 Liters

#### Retail price

Product Code	Model	Price
LO6031LSF	Soaker	2,691 \$
LO6031LSFAM	AeroMassage™	7,117 \$
LO6031LSFSA	Super AeroMassage™	9,017 \$
LO6031LSFLI	Linear cutout	2,691 \$

Standard color : White(01)

Returns accepted on white product only

#### Options\*\*

	Code	Add
White acrylic grab bar (each)	G01	227 \$
Chromatherapy lights	MLC	1203 \$
White floating remote control	RC01	623 \$
Chrome Linear overflow and drain	BDW-114	377 \$
Drain & Overflow PVC / Chromed brass	WOCO14	390 \$
Heated backrest (one)	DCHB1	765 \$

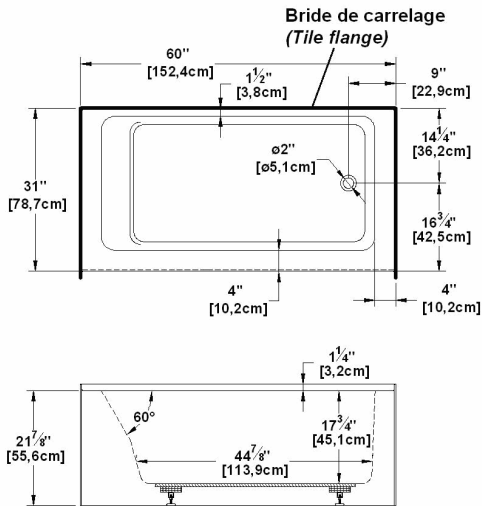
Complete Technical specifications at [www.oceania-attitude.com](http://www.oceania-attitude.com) will prevail at all times

**Integrated acrylic tile flanges. If system, delivered with keypad not installed. Available in white only. Only one grab bar can be factory installed.**

**\*\*See the options chart on pages 75 to 78 of this document for all available colors and finishes.**

## Loft 6031 R-SF

### Right hand drain, 1 Skirt (Front)



### 1 integrated skirt

60" x 31" x 22" [152,4 cm x 78,7 cm x 55,9 cm]  
42 IMP Gal. / 54.80 US Gal. / 190.90 Liters

#### Retail price

Product Code	Model	Price
LO6031RSF	Soaker	2,691 \$
LO6031RSFAM	AeroMassage™	7,117 \$
LO6031RSFSA	Super AeroMassage™	9,017 \$
LO6031RSFLI	Linear cutout	2,691 \$

Standard color : White(01)

Returns accepted on white product only

#### Options\*\*

	Code	Add
White acrylic grab bar (each)	G01	227 \$
Chromatherapy lights	MLC	1203 \$
White floating remote control	RC01	623 \$
Chrome Linear overflow and drain	BDW-114	377 \$
Drain & Overflow PVC / Chromed brass	WOCO14	390 \$
Heated backrest (one)	DCHB1	765 \$

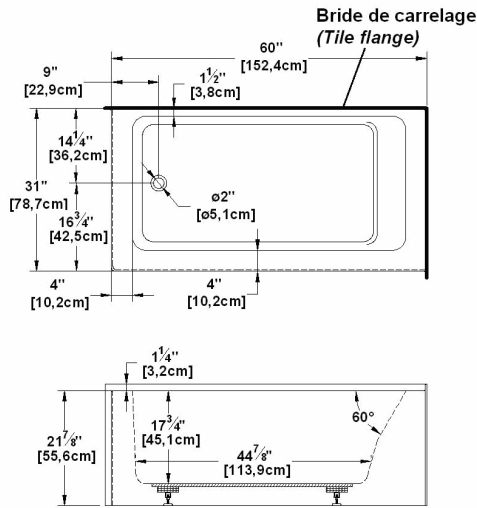
Complete Technical specifications at [www.oceania-attitude.com](http://www.oceania-attitude.com) will prevail at all times

**Integrated acrylic tile flanges. If system, delivered with keypad not installed. Available in white only. Only one grab bar can be factory installed.**

**\*\*See the options chart on pages 75 to 78 of this document for all available colors and finishes.**

## Loft 6031LSFL (left drain)

Authentik Signature Series



Complete Technical specifications at [www.oceania-attitude.com](http://www.oceania-attitude.com) will prevail at all times

**WARNING:** The installation panel TI-DR is mandatory with the BDW series of drains.

*Integrated acrylic tile flanges. If system, delivered with keypad not installed and blower must be remote mounted. Available in white only. Only one grab bar can be factory installed. Special Finish not available when ordered with installation panel.*

**\*\*See the options chart on pages 75 to 78 of this document for all available colors and finishes.**

## 2 Skirts (Front and Left)

60" x 31" x 22" [152,4 cm x 78,7 cm x 55,9 cm]  
42 IMP Gal. / 54.80 US Gal. / 190.90 Liters

Retail price

Product Code	Model	Price
LO6031LSFL	Soaker	3,614 \$
LO6031LSFLAM	AeroMassage™	7,747 \$
LO6031LSFLSA	Super AeroMassage™	9,646 \$
LO6031LSFLLI	Linear cutout	3,614 \$

Standard color : White(01)

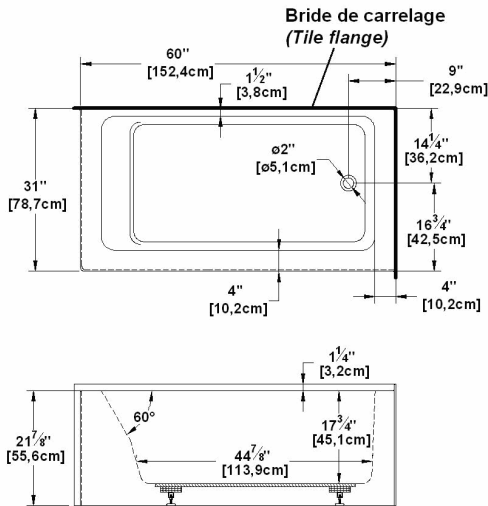
Returns accepted on white product only

Options\*\*

	Code	Add
Exterior MATTE CUSTOM COLOR	EXTXXM	2490 \$
Exterior MATTE BLACK finish	EXT48M	2490 \$
White acrylic grab bar (each)	G01	227 \$
Chromatherapy lights	MLC	1203 \$
White floating remote control	RC01	623 \$
Installation panel DRAIN side	TI-DR	425 \$
Floor drain for freestanding baths	FBQD	416 \$
Chrome Linear overflow and drain	BDW-114	377 \$
Flexible Drain & Overflow / Chromed brass	WOCOSBS14	620 \$
Heated backrest (one)	DCHB1	765 \$

## Loft 6031RSFL (right drain)

Authentik Signature Series



Complete Technical specifications at [www.oceania-attitude.com](http://www.oceania-attitude.com) will prevail at all times

*Integrated acrylic tile flanges. If system, delivered with keypad not installed and blower must be remote mounted. Available in white only. Only one grab bar can be factory installed. Special Finish not available when ordered with installation panel.*

**\*\*See the options chart on pages 75 to 78 of this document for all available colors and finishes.**

## 2 Skirts (Front and Left)

60" x 31" x 22" [152,4 cm x 78,7 cm x 55,9 cm]  
42 IMP Gal. / 54.80 US Gal. / 190.90 Liters

Retail price

Product Code	Model	Price
LO6031RSFL	Soaker	3,614 \$
LO6031RSFLAM	AeroMassage™	7,747 \$
LO6031RSFLSA	Super AeroMassage™	9,646 \$
LO6031RSFLLI	Linear cutout	3,614 \$

Standard color : White(01)

Returns accepted on white product only

Options\*\*

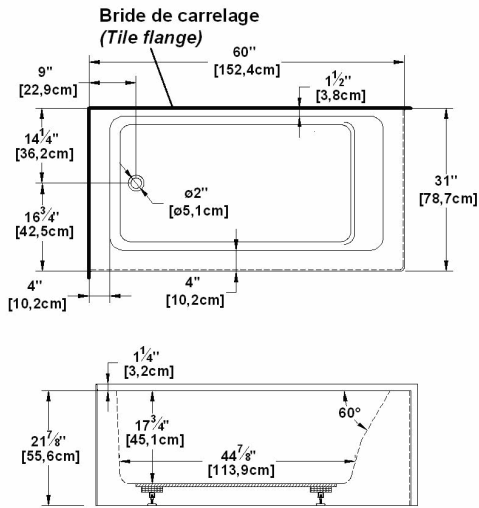
	Code	Add
Exterior MATTE CUSTOM COLOR	EXTXXM	2490 \$
Exterior MATTE BLACK finish	EXT48M	2490 \$
White acrylic grab bar (each)	G01	227 \$
Chromatherapy lights	MLC	1203 \$
White floating remote control	RC01	623 \$
Installation panel BACK REST side	TI-DO	425 \$
Chrome Linear overflow and drain	BDW-114	377 \$
Drain & Overflow PVC / Chromed brass	WOCO14	390 \$
Heated backrest (one)	DCHB1	765 \$

## Loft 6031LSFR (left drain)

Authentik Signature Series

2 Skirts (Front and Right)

60" x 31" x 22" [152,4 cm x 78,7 cm x 55,9 cm]  
42 IMP Gal. / 54,78 US Gal. / 190,93 Liters



### Retail price

Product Code	Model	Price
<b>LO6031LSFR</b>	Soaker	<b>3,614 \$</b>
<b>LO6031LSFRAM</b>	AeroMassage™	<b>7,747 \$</b>
<b>LO6031LSFRSA</b>	Super AeroMassage™	<b>9,646 \$</b>
<b>LO6031LSFRLI</b>	Linear cutout	<b>3,614 \$</b>

Standard color : White(01)

Returns accepted on white product only

### Options\*\*

	Code	Add
Exterior MATTE CUSTOM COLOR	EXTXXM	2490 \$
Exterior MATTE BLACK finish	EXT48M	2490 \$
White acrylic grab bar (each)	G01	227 \$
Chromatherapy lights	MLC	1203 \$
White floating remote control	RC01	623 \$
Installation panel BACK REST side	TI-DO	425 \$
Chrome Linear overflow and drain	BDW-114	377 \$
Drain & Overflow PVC / Chromed brass	WOCO14	390 \$
Heated backrest (one)	DCHB1	765 \$

Complete Technical specifications at [www.oceania-attitude.com](http://www.oceania-attitude.com) will prevail at all times

**Integrated acrylic tile flanges. If system, delivered with keypad not installed and blower must be remote mounted. Available in white only. Only one grab bar can be factory installed. Special Finish not available when ordered with installation panel.**

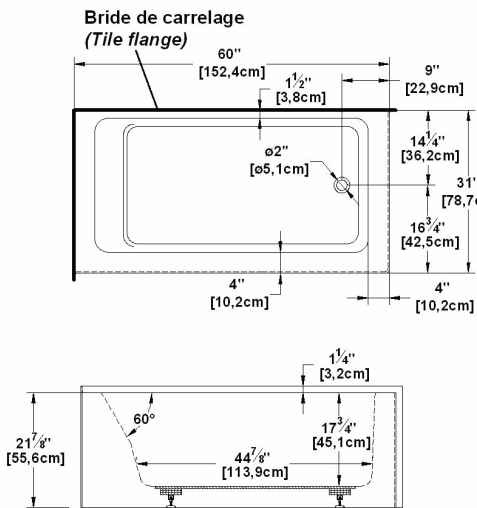
**\*\*See the options chart on pages 75 to 78 of this document for all available colors and finishes.**

## Loft 6031RSFR (right drain)

Authentik Signature Series

2 Skirts (Front and Right)

60" x 31" x 22" [152,4 cm x 78,7 cm x 55,9 cm]  
42 IMP Gal. / 54,80 US Gal. / 190,90 Liters



### Retail price

Product Code	Model	Price
<b>LO6031RSFR</b>	Soaker	<b>3,614 \$</b>
<b>LO6031RSFRAM</b>	AeroMassage™	<b>7,747 \$</b>
<b>LO6031RSFRSA</b>	Super AeroMassage™	<b>9,646 \$</b>
<b>LO6031RSFRLI</b>	Linear cutout	<b>3,614 \$</b>

Standard color : White(01)

Returns accepted on white product only

### Options\*\*

	Code	Add
Exterior MATTE CUSTOM COLOR	EXTXXM	2490 \$
Exterior MATTE BLACK finish	EXT48M	2490 \$
White acrylic grab bar (each)	G01	227 \$
Chromatherapy lights	MLC	1203 \$
White floating remote control	RC01	623 \$
Installation panel DRAIN side	TI-DR	425 \$
Chrome Linear overflow and drain	BDW-114	377 \$
Flexible Drain & Overflow / Chromed brass	WOCOSBS14	620 \$
Heated backrest (one)	DCHB1	765 \$

Complete Technical specifications at [www.oceania-attitude.com](http://www.oceania-attitude.com) will prevail at all times

**WARNING: The installation panel TI-DR is mandatory with the BDW series of drains.**

**Integrated acrylic tile flanges. If system, delivered with keypad not installed and blower must be remote mounted. Available in white only. Only one grab bar can be factory installed. Special Finish not available when ordered with installation panel.**

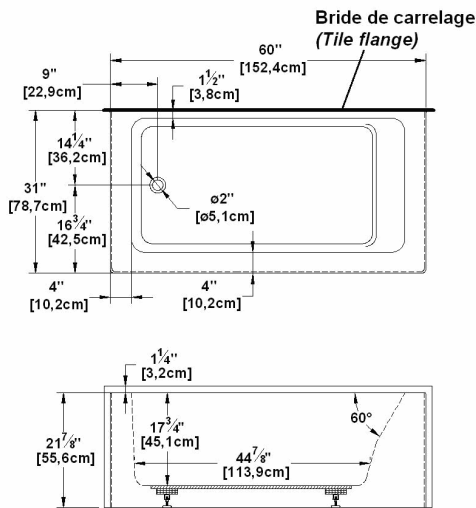
**\*\*See the options chart on pages 75 to 78 of this document for all available colors and finishes.**

## Loft 6031LSFLR (left drain)

3 Skirts (Front, Left and Right)

60" x 31" x 22" [152,4 cm x 78,7 cm x 55,9 cm]  
42 IMP Gal. / 54.80 US Gal. / 190.90 Liters

### Authentik Signature Series



#### Retail price

Product Code	Model	Price
<b>LO6031LSFLR</b>	Soaker	<b>4,234 \$</b>
<b>LO6031LSFLRAM</b>	AeroMassage™	<b>8,449 \$</b>
<b>LO6031LSFLRSA</b>	Super AeroMassage™	<b>10,347 \$</b>
<b>LO6031LSFLRLI</b>	Linear cutout	<b>4,234 \$</b>

Standard color : White(01)

Returns accepted on white product only

#### Options\*\*

	Code	Add
Exterior MATTE CUSTOM COLOR	EXTXXM	2490 \$
White acrylic grab bar (each)	G01	227 \$
Chromatherapy lights	MLC	1203 \$
White floating remote control	RC01	623 \$
Installation panel BACK REST side	TI-DO	425 \$
Installation panel DRAIN side	TI-DR	425 \$
Floor drain for freestanding baths	FBQD	416 \$
Chrome Linear overflow and drain	BDW-114	377 \$
Flexible Drain & Overflow / Chromed brass	WOCOSBS14	620 \$
Heated backrest (one)	DCHB1	765 \$

Complete Technical specifications at [www.oceania-attitude.com](http://www.oceania-attitude.com) will prevail at all times

**WARNING: The installation panel TI-DR is mandatory with the BDW series of drains.**

*Integrated acrylic tile flanges. If system, delivered with keypad not installed and blower must be remote mounted. Available in white only. Only one grab bar can be factory installed. Special Finish not available when ordered with installation panel.*

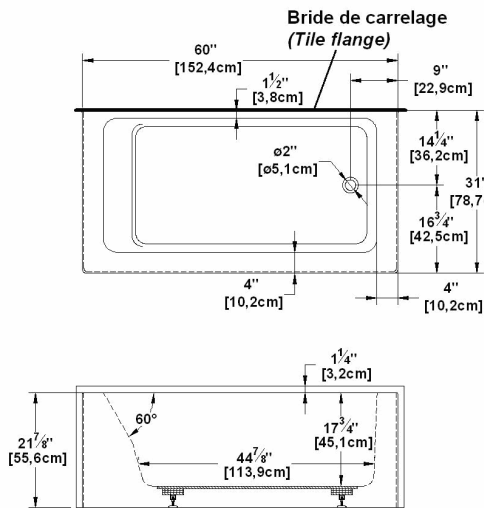
\*\*See the options chart on pages 75 to 78 of this document for all available colors and finishes.

## Loft 6031RSFLR (right drain)

3 Skirts (Front, Left and Right)

60" x 31" x 22" [152,4 cm x 78,7 cm x 55,9 cm]  
42 IMP Gal. / 54.80 US Gal. / 190.90 Liters

### Authentik Signature Series



#### Retail price

Product Code	Model	Price
<b>LO6031RSFLR</b>	Soaker	<b>4,234 \$</b>
<b>LO6031RSFLRAM</b>	AeroMassage™	<b>8,449 \$</b>
<b>LO6031RSFLRSA</b>	Super AeroMassage™	<b>10,347 \$</b>
<b>LO6031RSFLRLI</b>	Linear cutout	<b>4,234 \$</b>

Standard color : White(01)

Returns accepted on white product only

#### Options\*\*

	Code	Add
Exterior MATTE CUSTOM COLOR	EXTXXM	2490 \$
White acrylic grab bar (each)	G01	227 \$
Chromatherapy lights	MLC	1203 \$
White floating remote control	RC01	623 \$
Installation panel BACK REST side	TI-DO	425 \$
Installation panel DRAIN side	TI-DR	425 \$
Floor drain for freestanding baths	FBQD	416 \$
Chrome Linear overflow and drain	BDW-114	377 \$
Flexible Drain & Overflow / Chromed brass	WOCOSBS14	620 \$
Heated backrest (one)	DCHB1	765 \$

Complete Technical specifications at [www.oceania-attitude.com](http://www.oceania-attitude.com) will prevail at all times

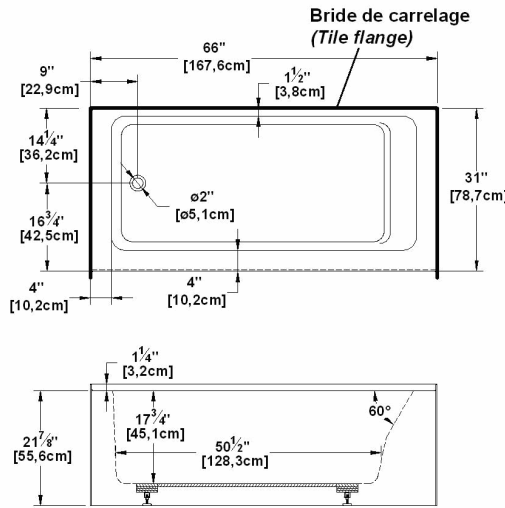
**WARNING: The installation panel TI-DR is mandatory with the BDW series of drains.**

*Integrated acrylic tile flanges. If system, delivered with keypad not installed and blower must be remote mounted. Available in white only. Only one grab bar can be factory installed. Special Finish not available when ordered with installation panel.*

\*\*See the options chart on pages 75 to 78 of this document for all available colors and finishes.

## Loft 6631 L-SF

### Left hand drain, 1 Skirt (Front)



### 1 integrated skirt

66" x 31" x 22" [167,6 cm x 78,7 cm x 55,9 cm]  
46 IMP Gal. / 60.00 US Gal. / 209.10 Liters

#### Retail price

Product Code	Model	Price
LO6631LSF	Soaker	4,151 \$
LO6631LSFAM	AeroMassage™	7,677 \$
LO6631LSFSA	Super AeroMassage™	9,306 \$
LO6631LSFLI	Linear cutout	4,151 \$

Standard color : White(01)

Returns accepted on white product only

#### Options\*\*

	Code	Add
White acrylic grab bar (each)	G01	227 \$
Chromatherapy lights	MLC	1203 \$
White floating remote control	RC01	623 \$
Chrome Linear overflow and drain	BDW-114	377 \$
Drain & Overflow PVC / Chromed brass	WOCO14	390 \$
Heated backrest (one)	DCHB1	765 \$

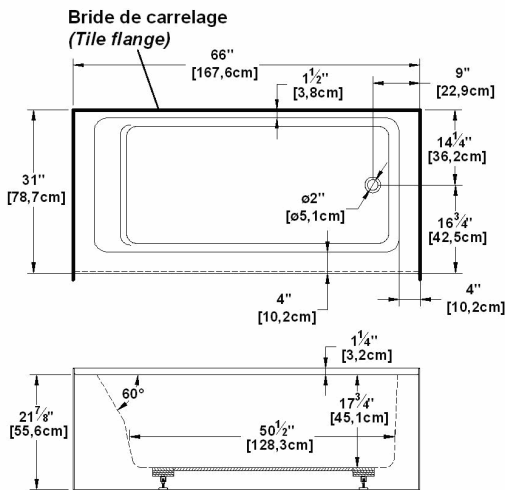
Complete Technical specifications at [www.oceania-attitude.com](http://www.oceania-attitude.com) will prevail at all times

**Integrated acrylic tile flanges. If system, delivered with keypad not installed. Available in white only. Only one grab bar can be factory installed.**

**\*\*See the options chart on pages 75 to 78 of this document for all available colors and finishes.**

## Loft 6631 R-SF

### Right hand drain, 1 Skirt (Front)



### 1 integrated skirt

66" x 31" x 22" [167,6 cm x 78,7 cm x 55,9 cm]  
46 IMP Gal. / 60.00 US Gal. / 209.10 Liters

#### Retail price

Product Code	Model	Price
LO6631RSF	Soaker	4,151 \$
LO6631RSFAM	AeroMassage™	7,677 \$
LO6631RSFSA	Super AeroMassage™	9,306 \$
LO6631RSFLI	Linear cutout	4,151 \$

Standard color : White(01)

Returns accepted on white product only

#### Options\*\*

	Code	Add
White acrylic grab bar (each)	G01	227 \$
Chromatherapy lights	MLC	1203 \$
White floating remote control	RC01	623 \$
Chrome Linear overflow and drain	BDW-114	377 \$
Drain & Overflow PVC / Chromed brass	WOCO14	390 \$
Heated backrest (one)	DCHB1	765 \$

Complete Technical specifications at [www.oceania-attitude.com](http://www.oceania-attitude.com) will prevail at all times

**Integrated acrylic tile flanges. If system, delivered with keypad not installed. Available in white only. Only one grab bar can be factory installed.**

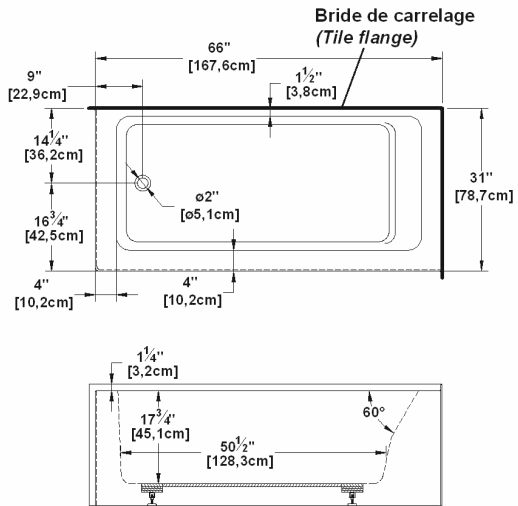
**\*\*See the options chart on pages 75 to 78 of this document for all available colors and finishes.**

## Loft 6631LSFL (left drain)

Authentik Signature Series

2 Skirts (Front and Left)

66" x 31" x 22" [167,6 cm x 78,7 cm x 55,9 cm]  
46 IMP Gal. / 60.00 US Gal. / 209.10 Liters



### Retail price

Product Code	Model	Price
LO6631LSFL	Soaker	4,989 \$
LO6631LSFLAM	AeroMassage™	8,359 \$
LO6631LSFLSA	Super AeroMassage™	9,993 \$
LO6631LSFLLI	Linear cutout	4,989 \$

Standard color : White(01)

Returns accepted on white product only

### Options\*\*

Options**	Code	Add
Exterior MATTE CUSTOM COLOR	EXTXXM	2490 \$
Exterior MATTE BLACK finish	EXT48M	2490 \$
White acrylic grab bar (each)	G01	227 \$
Chromatherapy lights	MLC	1203 \$
White floating remote control	RC01	623 \$
Installation panel DRAIN side	TI-DR	425 \$
Floor drain for freestanding baths	FBQD	416 \$
Chrome Linear overflow and drain	BDW-114	377 \$
Flexible Drain & Overflow / Chromed brass	WOCOSBS14	620 \$
Heated backrest (one)	DCHB1	765 \$

Complete Technical specifications at [www.oceania-attitude.com](http://www.oceania-attitude.com) will prevail at all times

**WARNING: The installation panel TI-DR is mandatory with the BDW series of drains.**

*Integrated acrylic tile flanges. If system, delivered with keypad not installed and blower must be remote mounted. Available in white only. Only one grab bar can be factory installed. Special Finish not available when ordered with installation panel.*

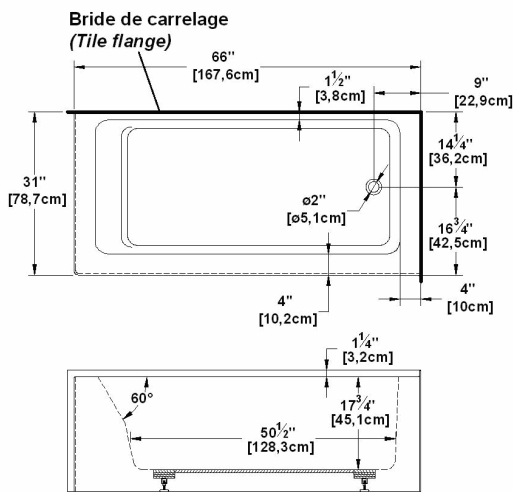
\*\*See the options chart on pages 75 to 78 of this document for all available colors and finishes.

## Loft 6631RSFL (right drain)

Authentik Signature Series

2 Skirts (Front and Left)

66" x 31" x 22" [167,6 cm x 78,7 cm x 55,9 cm]  
46 IMP Gal. / 60.00 US Gal. / 209.10 Liters



### Retail price

Product Code	Model	Price
LO6631RSFL	Soaker	4,989 \$
LO6631RSFLAM	AeroMassage™	8,359 \$
LO6631RSFLSA	Super AeroMassage™	9,993 \$
LO6631RSFLLI	Linear cutout	4,989 \$

Standard color : White(01)

Returns accepted on white product only

### Options\*\*

Options**	Code	Add
Exterior MATTE CUSTOM COLOR	EXTXXM	2490 \$
Exterior MATTE BLACK finish	EXT48M	2490 \$
White acrylic grab bar (each)	G01	227 \$
Chromatherapy lights	MLC	1203 \$
White floating remote control	RC01	623 \$
Installation panel BACK REST side	TI-DO	425 \$
Chrome Linear overflow and drain	BDW-114	377 \$
Drain & Overflow PVC / Chromed brass	WOCO14	390 \$
Heated backrest (one)	DCHB1	765 \$

Complete Technical specifications at [www.oceania-attitude.com](http://www.oceania-attitude.com) will prevail at all times

*Integrated acrylic tile flanges. If system, delivered with keypad not installed and blower must be remote mounted. Available in white only. Only one grab bar can be factory installed. Special Finish not available when ordered with installation panel.*

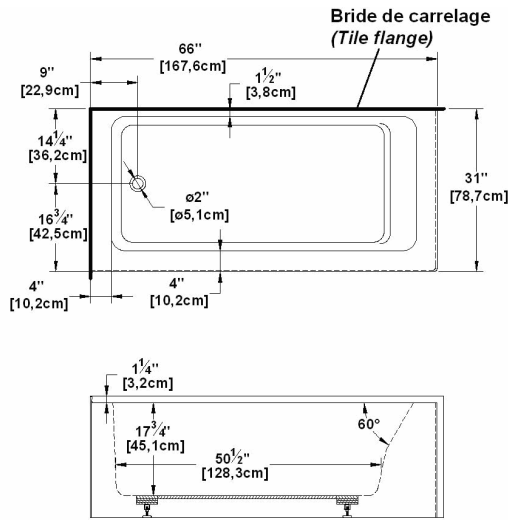
\*\*See the options chart on pages 75 to 78 of this document for all available colors and finishes.

## Loft 6631LSFR (left drain)

### 2 Skirts (Front and Right)

66" x 31" x 22" [167,6 cm x 78,7 cm x 55,9 cm]  
46 IMP Gal. / 60.00 US Gal. / 209.10 Liters

#### Authentik Signature Series



#### Retail price

Product Code	Model	Price
<b>LO6631LSFR</b>	Soaker	<b>4,989 \$</b>
<b>LO6631LSFRAM</b>	AeroMassage™	<b>8,359 \$</b>
<b>LO6631LSFRSA</b>	Super AeroMassage™	<b>9,993 \$</b>
<b>LO6631LSFRLI</b>	Linear cutout	<b>4,989 \$</b>

Standard color : White(01)

Returns accepted on white product only

#### Options\*\*

	Code	Add
Exterior MATTE CUSTOM COLOR	EXTXXM	2490 \$
Exterior MATTE BLACK finish	EXT48M	2490 \$
White acrylic grab bar (each)	G01	227 \$
Chromatherapy lights	MLC	1203 \$
White floating remote control	RC01	623 \$
Installation panel BACK REST side	TI-DO	425 \$
Chrome Linear overflow and drain	BDW-114	377 \$
Drain & Overflow PVC / Chromed brass	WOCO14	390 \$
Heated backrest (one)	DCHB1	765 \$

Complete Technical specifications at [www.oceania-attitude.com](http://www.oceania-attitude.com) will prevail at all times

**Integrated acrylic tile flanges. If system, delivered with keypad not installed and blower must be remote mounted. Available in white only. Only one grab bar can be factory installed. Special Finish not available when ordered with installation panel.**

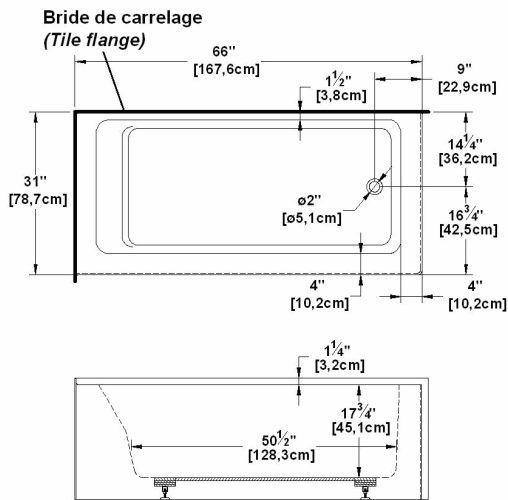
**\*\*See the options chart on pages 75 to 78 of this document for all available colors and finishes.**

## Loft 6631RSFR (right drain)

### 2 Skirts (Front and Right)

66" x 31" x 22" [167,6 cm x 78,7 cm x 55,9 cm]  
46 IMP Gal. / 60.00 US Gal. / 209.10 Liters

#### Authentik Signature Series



#### Retail price

Product Code	Model	Price
<b>LO6631RSFR</b>	Soaker	<b>4,989 \$</b>
<b>LO6631RSFRAM</b>	AeroMassage™	<b>8,359 \$</b>
<b>LO6631RSFRSA</b>	Super AeroMassage™	<b>9,993 \$</b>
<b>LO6631RSFRLI</b>	Linear cutout	<b>4,989 \$</b>

Standard color : White(01)

Returns accepted on white product only

#### Options\*\*

	Code	Add
Exterior MATTE CUSTOM COLOR	EXTXXM	2490 \$
Exterior MATTE BLACK finish	EXT48M	2490 \$
White acrylic grab bar (each)	G01	227 \$
Chromatherapy lights	MLC	1203 \$
White floating remote control	RC01	623 \$
Installation panel DRAIN side	TI-DR	425 \$
Floor drain for freestanding baths	FBQD	416 \$
Chrome Linear overflow and drain	BDW-114	377 \$
Flexible Drain & Overflow / Chromed brass	WOCOSBS14	620 \$
Heated backrest (one)	DCHB1	765 \$

Complete Technical specifications at [www.oceania-attitude.com](http://www.oceania-attitude.com) will prevail at all times

**WARNING: The installation panel TI-DR is mandatory with the BDW series of drains.**

**Integrated acrylic tile flanges. If system, delivered with keypad not installed and blower must be remote mounted. Available in white only. Only one grab bar can be factory installed. Special Finish not available when ordered with installation panel.**

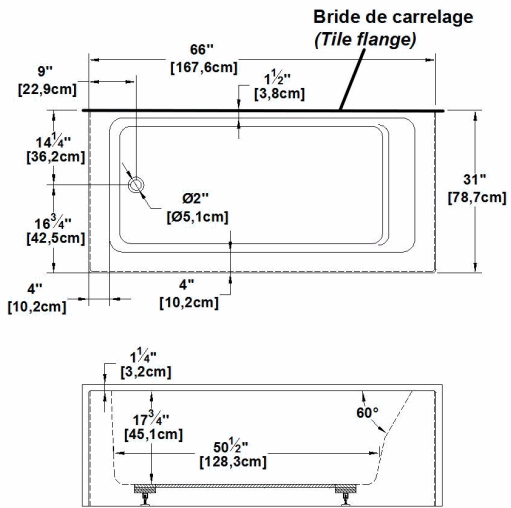
**\*\*See the options chart on pages 75 to 78 of this document for all available colors and finishes.**

## Loft 6631LSFLR (left drain)

3 Skirts (Front, Left and Right)

66" x 31" x 22" [167,6 cm x 78,7 cm x 55,9 cm]  
46 IMP Gal. / 60.00 US Gal. / 209.10 Liters

### Authentik Signature Series



#### Retail price

Product Code	Model	Price
<b>LO6631LSFLR</b>	Soaker	<b>5,383 \$</b>
<b>LO6631LSFLRAM</b>	AeroMassage™	<b>8,785 \$</b>
<b>LO6631LSFLRSA</b>	Super AeroMassage™	<b>10,683 \$</b>
<b>LO6631LSFLRLI</b>	Linear cutout	<b>5,383 \$</b>

Standard color : White(01)

Returns accepted on white product only

#### Options\*\*

Options**	Code	Add
Exterior MATTE CUSTOM COLOR	EXTXXM	2490 \$
White acrylic grab bar (each)	G01	227 \$
Chromatherapy lights	MLC	1203 \$
White floating remote control	RC01	623 \$
Installation panel BACK REST side	TI-DO	425 \$
Installation panel DRAIN side	TI-DR	425 \$
Floor drain for freestanding baths	FBQD	416 \$
Chrome Linear overflow and drain	BDW-114	377 \$
Flexible Drain & Overflow / Chromed brass	WOCOSBS14	620 \$
Heated backrest (one)	DCHB1	765 \$

Complete Technical specifications at [www.oceania-attitude.com](http://www.oceania-attitude.com) will prevail at all times

**WARNING: The installation panel TI-DR is mandatory with the BDW series of drains.**

*Integrated acrylic tile flanges. If system, delivered with keypad not installed and blower must be remote mounted. Available in white only. Only one grab bar can be factory installed. Special Finish not available when ordered with installation panel.*

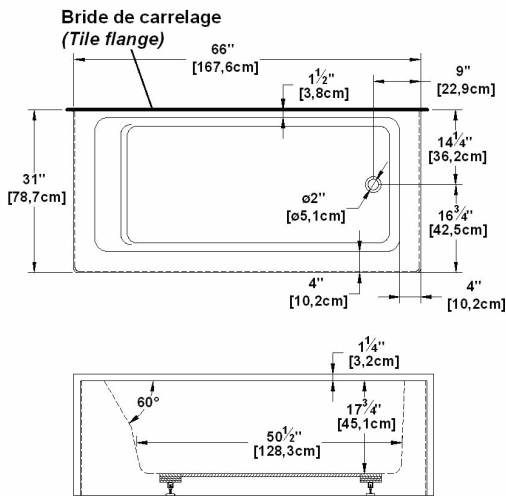
\*\*See the options chart on pages 75 to 78 of this document for all available colors and finishes.

## Loft 6631RSFLR (right drain)

3 Skirts (Front, Left and Right)

66" x 31" x 22" [167,6 cm x 78,7 cm x 55,9 cm]  
46 IMP Gal. / 60.00 US Gal. / 209.10 Liters

### Authentik Signature Series



#### Retail price

Product Code	Model	Price
<b>LO6631RSFLR</b>	Soaker	<b>5,383 \$</b>
<b>LO6631RSFLRAM</b>	AeroMassage™	<b>8,785 \$</b>
<b>LO6631RSFLRSA</b>	Super AeroMassage™	<b>10,683 \$</b>
<b>LO6631RSFLRLI</b>	Linear cutout	<b>5,383 \$</b>

Standard color : White(01)

Returns accepted on white product only

#### Options\*\*

Options**	Code	Add
Exterior MATTE CUSTOM COLOR	EXTXXM	2490 \$
White acrylic grab bar (each)	G01	227 \$
Chromatherapy lights	MLC	1203 \$
White floating remote control	RC01	623 \$
Installation panel BACK REST side	TI-DO	425 \$
Installation panel DRAIN side	TI-DR	425 \$
Floor drain for freestanding baths	FBQD	416 \$
Chrome Linear overflow and drain	BDW-114	377 \$
Flexible Drain & Overflow / Chromed brass	WOCOSBS14	620 \$
Heated backrest (one)	DCHB1	765 \$

Complete Technical specifications at [www.oceania-attitude.com](http://www.oceania-attitude.com) will prevail at all times

**WARNING: The installation panel TI-DR is mandatory with the BDW series of drains.**

*Integrated acrylic tile flanges. If system, delivered with keypad not installed and blower must be remote mounted. Available in white only. Only one grab bar can be factory installed. Special Finish not available when ordered with installation panel.*

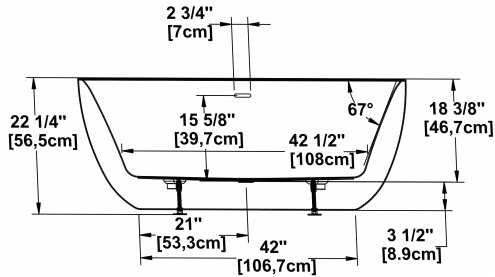
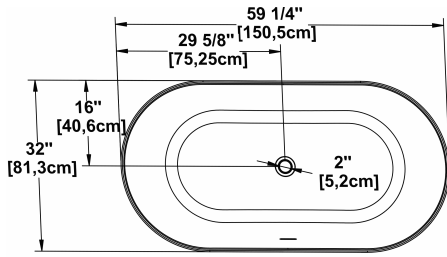
\*\*See the options chart on pages 75 to 78 of this document for all available colors and finishes.

## Minto 59 Freestanding

### One-piece freestanding bath

59" x 32" x 22" [150,5 cm x 81,3 cm x 55,9 cm]  
53 IMP Gal. / 63.65 US Gal. / 240.94 Liters

#### Authentik Signature Series



Complete Technical specifications at [www.oceania-attitude.com](http://www.oceania-attitude.com) will prevail at all times

#### Retail price

Product Code	Model	Price
<b>MI59</b>	Soaker	<b>4,496 \$</b>
<b>MI59AM</b>	AeroMassage™	<b>8,262 \$</b>
<b>Not available</b>	Super AeroMassage™	<b>N/A</b>
<b>Not available</b>	Linear cutout	<b>N/A</b>

Standard color : White(01)

Returns accepted on white product only

#### Options\*\*

	Code	Add
Exterior MATTE BLACK finish	EXT48M	2490 \$
Exterior MATTE WHITE acrylic	EXT01M	1486 \$
Glossy black acrylic exterior	EXT48	1609 \$
Exterior MATTE CUSTOM COLOR	EXTXXM	2490 \$
Interior/Exterior MATTE WHITE acrylic	INT-EXT01M	1812 \$
Drain cover - White	INF101	INCL
Drain cover - Chrome	INF114	194 \$
Drain cover - Matte Black	INF148M	194 \$
Chromatherapy lights	MLC	1203 \$
Floor drain for freestanding baths	FBQD	416 \$
Heated backrest (one)	DCHB1	765 \$
Heated backrest (two)	DCHB2	1049 \$

**WARNING: The interior is available in white only.**

*Default exterior finish : white acrylic. The overflow is factory installed, the white drain is included but not installed. When ordered with AeroMassage, blower must be remote mounted. If system, delivered with keypad not installed and remote control is included.*

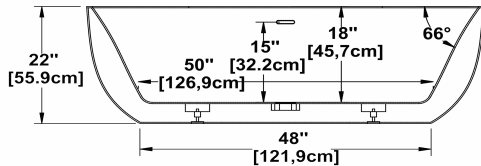
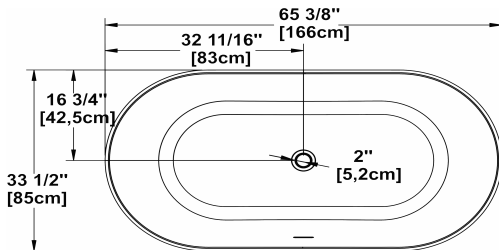
**\*\*See the options chart on pages 75 to 78 of this document for all available colors and finishes.**

## Minto 65 Freestanding

### One-piece freestanding bath

65" x 34" x 22" [167,0 cm x 86,4 cm x 55,9 cm]  
49 IMP Gal. / 63.90 US Gal. / 222.70 Liters

#### Authentik Signature Series



Complete Technical specifications at [www.oceania-attitude.com](http://www.oceania-attitude.com) will prevail at all times

#### Retail price

Product Code	Model	Price
<b>MI65</b>	Soaker	<b>4,940 \$</b>
<b>MI65AM</b>	AeroMassage™	<b>8,814 \$</b>
<b>Not available</b>	Super AeroMassage™	<b>N/A</b>
<b>Not available</b>	Linear cutout	<b>N/A</b>

Standard color : White(01)

Returns accepted on white product only

#### Options\*\*

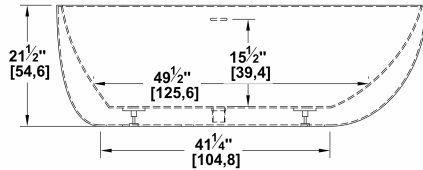
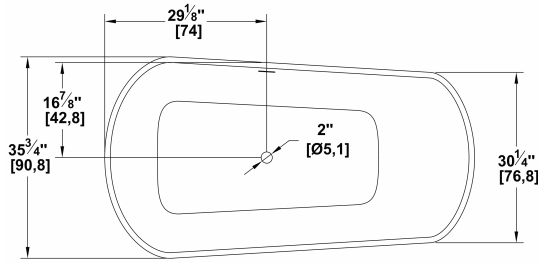
	Code	Add
Exterior MATTE BLACK finish	EXT48M	2490 \$
Exterior MATTE WHITE acrylic	EXT01M	1486 \$
Glossy black acrylic exterior	EXT48	1609 \$
Exterior MATTE CUSTOM COLOR	EXTXXM	2490 \$
Interior/Exterior MATTE WHITE acrylic	INT-EXT01M	1812 \$
Drain cover - White	INF101	INCL
Drain cover - Chrome	INF114	194 \$
Drain cover - Matte Black	INF148M	194 \$
Chromatherapy lights	MLC	1203 \$
Floor drain for freestanding baths	FBQD	416 \$
Heated backrest (one)	DCHB1	765 \$
Heated backrest (two)	DCHB2	1049 \$

**WARNING: The interior is available in white only.**

*Default exterior finish : white acrylic. The overflow is factory installed, the white drain is included but not installed. When ordered with AeroMassage, blower must be remote mounted. If system, delivered with keypad not installed and remote control is included.*

**\*\*See the options chart on pages 75 to 78 of this document for all available colors and finishes.**

Authentik Signature Series



Complete Technical specifications at [www.oceania-attitude.com](http://www.oceania-attitude.com) will prevail at all times

Retail price

Product Code	Model	Price
<b>MU67</b>	Soaker	<b>4,940 \$</b>
<b>MU67AM</b>	AeroMassage™	<b>8,814 \$</b>
<b>Not available</b>	Super AeroMassage™	<b>N/A</b>
<b>Not available</b>	Linear cutout	<b>N/A</b>

Standard color : White(01)

Returns accepted on white product only

Options\*\*

	Code	Add
Exterior MATTE BLACK finish	EXT48M	2490 \$
Exterior MATTE WHITE acrylic	EXT01M	1486 \$
Glossy black acrylic exterior	EXT48	1609 \$
Exterior MATTE CUSTOM COLOR	EXTXXM	2490 \$
Interior/Exterior MATTE WHITE acrylic	INT-EXT01M	1812 \$
Drain cover - White	INF101	INCL
Drain cover - Chrome	INF114	194 \$
Drain cover - Matte Black	INF148M	194 \$
Chromatherapy lights	MLC	1203 \$
Floor drain for freestanding baths	FBQD	416 \$
Heated backrest (one)	DCHB1	765 \$
Heated backrest (two)	DCHB2	1049 \$

**WARNING: The interior is available in white only.**

*Default exterior finish : white acrylic. The overflow is factory installed, the white drain is included but not installed. When ordered with AeroMassage, blower must be remote mounted. If system, delivered with keypad not installed and remote control is included. The Chromatherapy option is only available with the AeroMassage option.*

**\*\*See the options chart on pages 75 to 78 of this document for all available colors and finishes.**

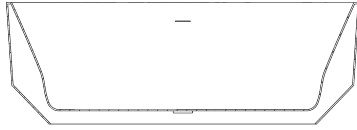
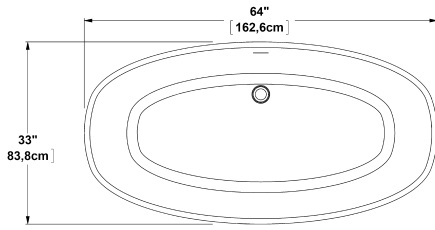
oceania  
water • attitude

## Mystic 64 Freestanding

Authentik Signature Series

## One-piece freestanding bath

64" x 33" x 22" [162,6 cm x 83,8 cm x 55,9 cm]  
0 IMP Gal. / 0.00 US Gal. / 0.00 Liters



Complete Technical specifications at [www.oceania-attitude.com](http://www.oceania-attitude.com) will prevail at all times

### Retail price

Product Code	Model	Price
<b>MY64</b>	Soaker	<b>4,587 \$</b>
<b>MY64AM</b>	AeroMassage™	<b>8,341 \$</b>
<b>Not available</b>	Super AeroMassage™	<b>N/A</b>
<b>Not available</b>	Linear cutout	<b>N/A</b>

Standard color : White(01)

Returns accepted on white product only

Available Winter 2025

### Options\*\*

	Code	Add
Exterior MATTE BLACK finish	EXT48M	2490 \$
Exterior MATTE WHITE acrylic	EXT01M	1486 \$
Glossy black acrylic exterior	EXT48	1609 \$
Exterior MATTE CUSTOM COLOR	EXTXXM	2490 \$
Drain cover - White	INF101	INCL
Interior/Exterior MATTE WHITE acrylic	INT-EXT01M	1812 \$
Drain cover - Chrome	INF114	194 \$
Drain cover - Matte Black	INF148M	194 \$
Chromatherapy lights	MLC	1203 \$
Floor drain for freestanding baths	FBQD	416 \$
Heated backrest (one)	DCHB1	765 \$
Heated backrest (two)	DCHB2	1049 \$

**WARNING: The interior is available in white only.**

*Default exterior finish : white acrylic. The overflow is factory installed, the white drain is included but not installed. When ordered with AeroMassage, blower must be remote mounted. If system, delivered with keypad not installed and remote control is included.*

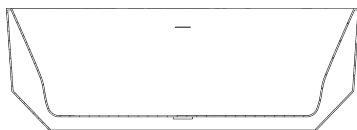
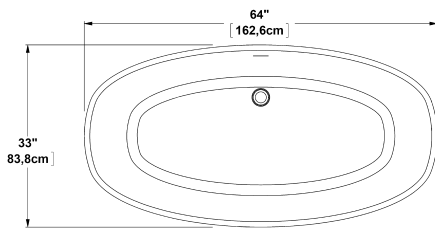
**\*\*See the options chart on pages 75 to 78 of this document for all available colors and finishes.**

## Mystic Striped 64 Freestanding

Authentik Signature Series

## One-piece freestanding bath

64" x 33" x 22" [162,6 cm x 83,8 cm x 55,9 cm]  
0 IMP Gal. / 0.00 US Gal. / 0.00 Liters



Complete Technical specifications at [www.oceania-attitude.com](http://www.oceania-attitude.com) will prevail at all times

### Retail price

Product Code	Model	Price
<b>MYS64</b>	Soaker	<b>4,940 \$</b>
<b>MYS64AM</b>	AeroMassage™	<b>8,814 \$</b>
<b>Not available</b>	Super AeroMassage™	<b>N/A</b>
<b>Not available</b>	Linear cutout	<b>N/A</b>

Standard color : White(01)

Returns accepted on white product only

Available Winter 2025

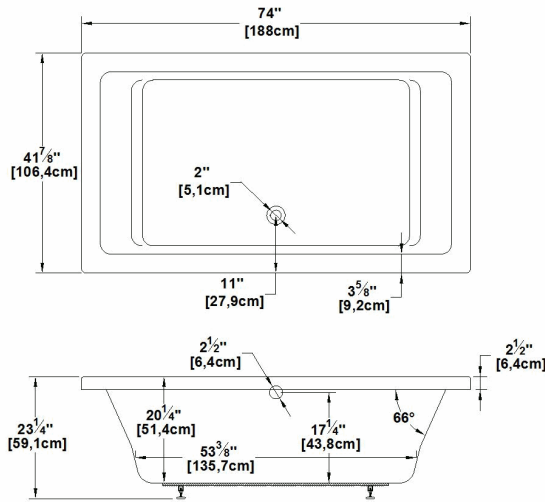
### Options\*\*

	Code	Add
Exterior MATTE BLACK finish	EXT48M	2490 \$
Exterior MATTE WHITE acrylic	EXT01M	1486 \$
Glossy black acrylic exterior	EXT48	1609 \$
Exterior MATTE CUSTOM COLOR	EXTXXM	2490 \$
Interior/Exterior MATTE WHITE acrylic	INT-EXT01M	1812 \$
Drain cover - White	INF101	INCL
Drain cover - Chrome	INF114	194 \$
Drain cover - Matte Black	INF148M	194 \$
Chromatherapy lights	MLC	1203 \$
Floor drain for freestanding baths	FBQD	416 \$
Heated backrest (one)	DCHB1	765 \$
Heated backrest (two)	DCHB2	1049 \$

**WARNING: The interior is available in white only.**

*Default exterior finish : white acrylic. The overflow is factory installed, the white drain is included but not installed. When ordered with AeroMassage, blower must be remote mounted. If system, delivered with keypad not installed and remote control is included.*

**\*\*See the options chart on pages 75 to 78 of this document for all available colors and finishes.**



Complete Technical specifications at [www.oceania-attitude.com](http://www.oceania-attitude.com) will prevail at all times

Retail price

Product Code	Model	Price
<b>NA24</b>	Soaker	<b>3,833 \$</b>
<b>NA24AM</b>	AeroMassage™	<b>7,104 \$</b>
<b>NA24SA</b>	Super AeroMassage™	<b>9,276 \$</b>
<b>NA24LI</b>	Linear cutout	<b>3,833 \$</b>

Standard color : White(01)

Returns accepted on white product only

Options\*\*

	Code	Add
White acrylic grab bar (each)	G01	227 \$
Acrylic Biscuit Color	INT02	1609 \$
Acrylic Black Color	INT48	1609 \$
Removable White Skirt Panel for bath XL	JAXL	1352 \$
Low-Profile bath lip	LP	346 \$
Chromatherapy lights	MLC	1203 \$
White floating remote control	RC01	623 \$
Tile flange for baths, see page 60	TF	240 \$
Chrome Linear overflow and drain	BDW-114	377 \$
Drain & Overflow PVC / Chromed brass	WOCO14	390 \$
Heated backrest (one)	DCHB1	765 \$
Heated backrest (two)	DCHB2	1049 \$

Keypad supplied but not installed when ordered with tile flanges or remote control.

\*\*See the options chart on pages 75 to 78 of this document for all available colors and finishes.

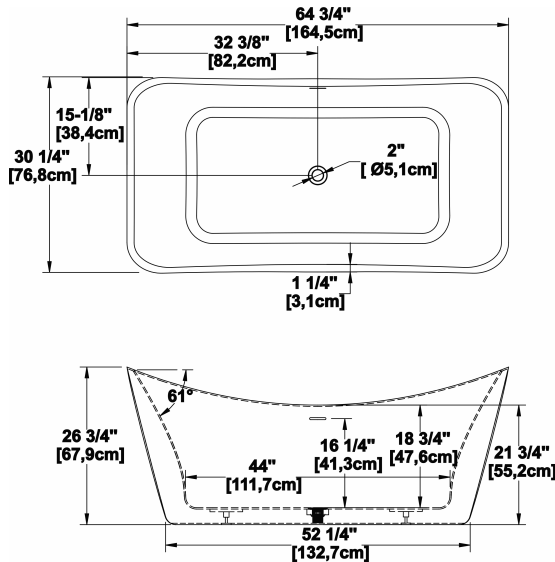
oceania  
water • attitude

## Primrose 65 Freestanding

### One-piece freestanding bath

65" x 30" x 27" [164.5 cm x 76.2 cm x 68.9]  
55 IMP Gal. / 71.70 US Gal. / 250.00 Liters

#### Authentik Signature Series



Complete Technical specifications at [www.oceania-attitude.com](http://www.oceania-attitude.com) will prevail at all times

#### Retail price

Product Code	Model	Price
<b>PR65</b>	Soaker	<b>4,940 \$</b>
<b>PR65AM</b>	AeroMassage™	<b>8,814 \$</b>
<b>Not available</b>	Super AeroMassage™	<b>N/A</b>
<b>Not available</b>	Linear cutout	<b>N/A</b>

Standard color : White(01)

Returns accepted on white product only

#### Options\*\*

	Code	Add
Exterior MATTE BLACK finish	EXT48M	2490 \$
Exterior MATTE WHITE acrylic	EXT01M	1486 \$
Glossy black acrylic exterior	EXT48	1609 \$
Exterior MATTE CUSTOM COLOR	EXTXXM	2490 \$
Interior/Exterior MATTE WHITE acrylic	INT-EXT01M	1812 \$
Drain cover - Chrome	INF114	194 \$
Drain cover - White	INF101	INCL
Drain cover - Matte Black	INF148M	194 \$
Chromatherapy lights	MLC	1203 \$
Floor drain for freestanding baths	FBQD	416 \$
Heated backrest (one)	DCHB1	765 \$
Heated backrest (two)	DCHB2	1049 \$

**WARNING: The interior is available in white only.**

Default exterior finish : white acrylic. The overflow is factory installed, the white drain is included but not installed. When ordered with AeroMassage, blower must be remote mounted. If system, delivered with keypad not installed and remote control is included.

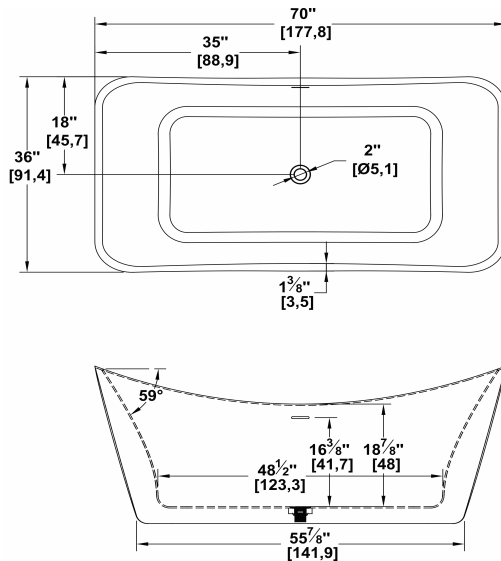
\*\*See the options chart on pages 75 to 78 of this document for all available colors and finishes.

## Primrose 70 Freestanding

### One-piece freestanding bath

70" x 36" x 27" [177.8 cm x 91.4 cm x 68.9]  
60 IMP Gal. / 78.20 US Gal. / 272.70 Liters

#### Authentik Signature Series



Complete Technical specifications at [www.oceania-attitude.com](http://www.oceania-attitude.com) will prevail at all times

#### Retail price

Product Code	Model	Price
<b>PR70</b>	Soaker	<b>5,266 \$</b>
<b>PR70AM</b>	AeroMassage™	<b>8,882 \$</b>
<b>Not available</b>	Super AeroMassage™	<b>N/A</b>
<b>Not available</b>	Linear cutout	<b>N/A</b>

Standard color : White(01)

Returns accepted on white product only

#### Options\*\*

	Code	Add
Exterior MATTE BLACK finish	EXT48M	2490 \$
Exterior MATTE WHITE acrylic	EXT01M	1486 \$
Glossy black acrylic exterior	EXT48	1609 \$
Exterior MATTE CUSTOM COLOR	EXTXXM	2490 \$
Interior/Exterior MATTE WHITE acrylic	INT-EXT01M	1812 \$
Drain cover - Chrome	INF114	194 \$
Drain cover - White	INF101	INCL
Drain cover - Matte Black	INF148M	194 \$
Chromatherapy lights	MLC	1203 \$
Floor drain for freestanding baths	FBQD	416 \$
Heated backrest (one)	DCHB1	765 \$
Heated backrest (two)	DCHB2	1049 \$

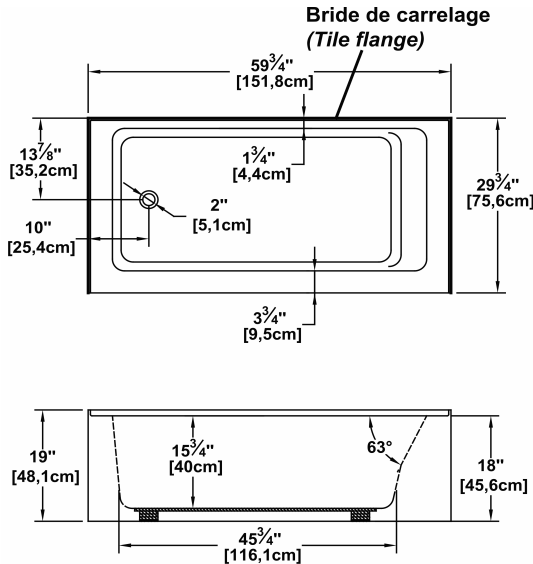
**WARNING: The interior is available in white only.**

Default exterior finish : white acrylic. The overflow is factory installed, the white drain is included but not installed. When ordered with AeroMassage, blower must be remote mounted. If system, delivered with keypad not installed and remote control is included.

\*\*See the options chart on pages 75 to 78 of this document for all available colors and finishes.

## Pure 6030 (left hand drain)

Alcove installation, flanges on 3 sides



Complete Technical specifications at [www.oceania-attitude.com](http://www.oceania-attitude.com) will prevail at all times

## Integrated front skirt

60" x 30" x 18" [152,4 cm x 76,2 cm x 45,7 cm]  
35 IMP Gal. / 45.70 US Gal. / 159.10 Liters

### Retail price

Product Code	Model	Price
<b>PU6030L</b>	Soaker	<b>1,868 \$</b>
<b>PU6030LAM</b>	AeroMassage™	<b>5,997 \$</b>
<b>Not available</b>	Super AeroMassage™	<b>N/A</b>
<b>PU6030LLI</b>	Linear cutout	<b>1,868 \$</b>

Standard color : White(01)

Returns accepted on white product only

### Options\*\*

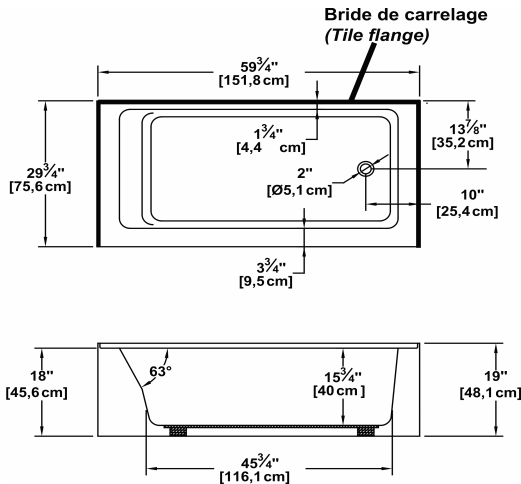
	Code	Add
White acrylic grab bar (each)	G01	227 \$
Acrylic Biscuit Color	INT02	1609 \$
Acrylic Black Color	INT48	1609 \$
No front skirt, cut at 2" high	JC2	0 \$
Chromatherapy lights	MLC	1203 \$
White floating remote control	RC01	623 \$
Chrome Linear overflow and drain	BDW-114	377 \$
Drain & Overflow PVC / Chromed brass	WOCO14	390 \$
Heated backrest (one)	DCHB1	765 \$

Integrated acrylic tile flanges. If system, delivered with keypad not installed. Only one grab bar can be factory installed.

\*\*See the options chart on pages 75 to 78 of this document for all available colors and finishes.

## Pure 6030 (right hand drain)

Alcove installation, flanges on 3 sides



Complete Technical specifications at [www.oceania-attitude.com](http://www.oceania-attitude.com) will prevail at all times

## Integrated front skirt

60" x 30" x 18" [152,4 cm x 76,2 cm x 45,7 cm]  
35 IMP Gal. / 45.70 US Gal. / 159.10 Liters

### Retail price

Product Code	Model	Price
<b>PU6030R</b>	Soaker	<b>1,868 \$</b>
<b>PU6030RAM</b>	AeroMassage™	<b>5,997 \$</b>
<b>Not available</b>	Super AeroMassage™	<b>N/A</b>
<b>PU6030RLI</b>	Linear cutout	<b>1,868 \$</b>

Standard color : White(01)

Returns accepted on white product only

### Options\*\*

	Code	Add
White acrylic grab bar (each)	G01	227 \$
Acrylic Biscuit Color	INT02	1609 \$
Acrylic Black Color	INT48	1609 \$
No front skirt, cut at 2" high	JC2	0 \$
Chromatherapy lights	MLC	1203 \$
White floating remote control	RC01	623 \$
Chrome Linear overflow and drain	BDW-114	377 \$
Drain & Overflow PVC / Chromed brass	WOCO14	390 \$
Heated backrest (one)	DCHB1	765 \$

Integrated acrylic tile flanges. If system, delivered with keypad not installed. Only one grab bar can be factory installed.

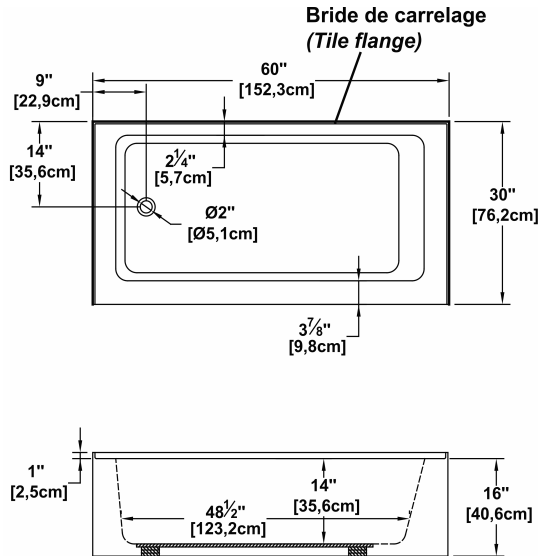
\*\*See the options chart on pages 75 to 78 of this document for all available colors and finishes.

## Pure 603016 (left hand drain)

### Integrated front skirt

60" x 30" x 16" [152,3 cm x 76,2 cm x 40,6 cm]  
30 IMP Gal. / 39.10 US Gal. / 136.40 Liters

#### Alcove installation, flanges on 3 sides



#### Retail price

Product Code	Model	Price
<b>PU603016L</b>	Soaker	<b>1,868 \$</b>
<b>Not available</b>	AeroMassage™	<b>N/A</b>
<b>Not available</b>	Super AeroMassage™	<b>N/A</b>
<b>PU603016LLI</b>	Linear cutout	<b>1,868 \$</b>

Standard color : White(01)

Returns accepted on white product only

#### Options\*\*

	Code	Add
White acrylic grab bar (each)	G01	227 \$
Acrylic Biscuit Color	INT02	1609 \$
Acrylic Black Color	INT48	1609 \$
No front skirt, cut at 2" high	JC2	0 \$
Chromatherapy lights	MLC	1203 \$
Chrome Linear overflow and drain	BDW-114	377 \$
Drain & Overflow PVC / Chromed brass	WOCO14	390 \$
Heated backrest (one)	DCHB1	765 \$

Complete Technical specifications at [www.oceania-attitude.com](http://www.oceania-attitude.com) will prevail at all times

Integrated acrylic tile flanges. Only one grab bar can be factory installed.

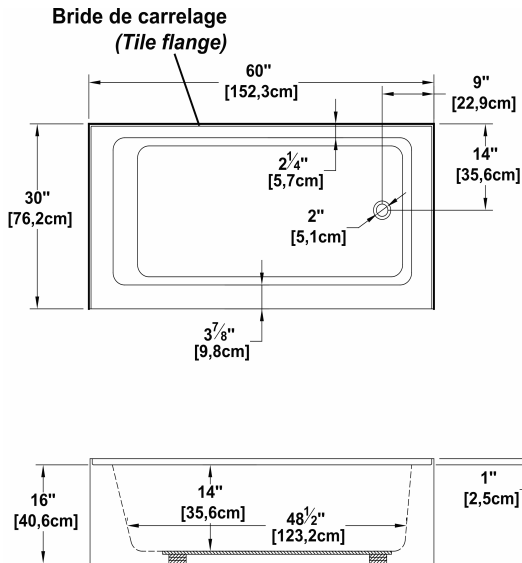
\*\*See the options chart on pages 75 to 78 of this document for all available colors and finishes.

## Pure 603016 (right hand drain)

### Integrated front skirt

60" x 30" x 16" [152,3 cm x 76,2 cm x 40,6 cm]  
30 IMP Gal. / 39.10 US Gal. / 136.40 Liters

#### Alcove installation, flanges on 3 sides



#### Retail price

Product Code	Model	Price
<b>PU603016R</b>	Soaker	<b>1,868 \$</b>
<b>Not available</b>	AeroMassage™	<b>N/A</b>
<b>Not available</b>	Super AeroMassage™	<b>N/A</b>
<b>PU603016RLI</b>	Linear cutout	<b>1,868 \$</b>

Standard color : White(01)

Returns accepted on white product only

#### Options\*\*

	Code	Add
White acrylic grab bar (each)	G01	227 \$
Acrylic Biscuit Color	INT02	1609 \$
Acrylic Black Color	INT48	1609 \$
No front skirt, cut at 2" high	JC2	0 \$
Chromatherapy lights	MLC	1203 \$
Chrome Linear overflow and drain	BDW-114	377 \$
Drain & Overflow PVC / Chromed brass	WOCO14	390 \$
Heated backrest (one)	DCHB1	765 \$

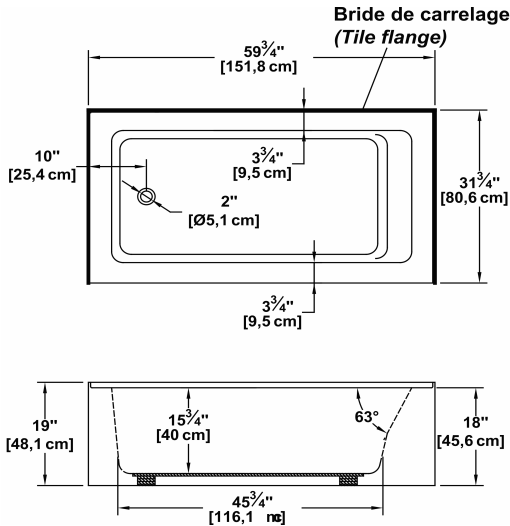
Complete Technical specifications at [www.oceania-attitude.com](http://www.oceania-attitude.com) will prevail at all times

Integrated acrylic tile flanges. Only one grab bar can be factory installed.

\*\*See the options chart on pages 75 to 78 of this document for all available colors and finishes.

## Pure 6032 (left hand drain)

Alcove installation, flanges on 3 sides



Complete Technical specifications at [www.oceania-attitude.com](http://www.oceania-attitude.com) will prevail at all times

## Integrated front skirt

60" x 32" x 18" [152,4 cm x 81,3 cm x 45,7 cm]  
35 IMP Gal. / 45.70 US Gal. / 159.10 Liters

### Retail price

Product Code	Model	Price
<b>PU6032L</b>	Soaker	<b>1,868 \$</b>
<b>PU6032LAM</b>	AeroMassage™	<b>5,997 \$</b>
<b>Not available</b>	Super AeroMassage™	<b>N/A</b>
<b>PU6032LLI</b>	Linear cutout	<b>1,868 \$</b>

Standard color : White(01)

Returns accepted on white product only

### Options\*\*

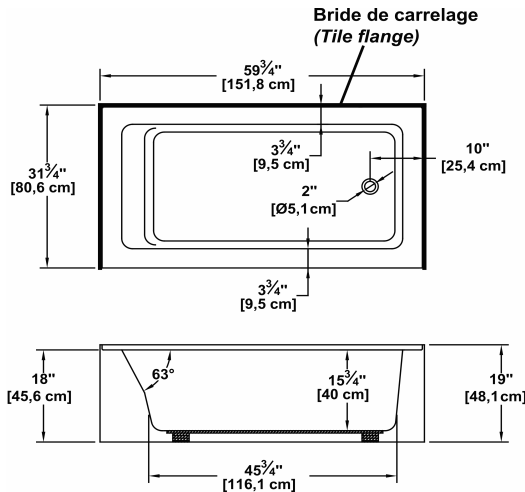
	Code	Add
White acrylic grab bar (each)	G01	227 \$
Acrylic Biscuit Color	INT02	1609 \$
Acrylic Black Color	INT48	1609 \$
No front skirt, cut at 2" high	JC2	0 \$
Chromatherapy lights	MLC	1203 \$
White floating remote control	RC01	623 \$
Chrome Linear overflow and drain	BDW-114	377 \$
Drain & Overflow PVC / Chromed brass	WOCO14	390 \$
Heated backrest (one)	DCHB1	765 \$

Integrated acrylic tile flanges. If system, delivered with keypad not installed. Only one grab bar can be factory installed.

\*\*See the options chart on pages 75 to 78 of this document for all available colors and finishes.

## Pure 6032 (right hand drain)

Alcove installation, flanges on 3 sides



Complete Technical specifications at [www.oceania-attitude.com](http://www.oceania-attitude.com) will prevail at all times

## Integrated front skirt

60" x 32" x 18" [152,4 cm x 81,3 cm x 45,7 cm]  
35 IMP Gal. / 45.70 US Gal. / 159.10 Liters

### Retail price

Product Code	Model	Price
<b>PU6032R</b>	Soaker	<b>1,868 \$</b>
<b>PU6032RAM</b>	AeroMassage™	<b>5,997 \$</b>
<b>Not available</b>	Super AeroMassage™	<b>N/A</b>
<b>PU6032RLI</b>	Linear cutout	<b>1,868 \$</b>

Standard color : White(01)

Returns accepted on white product only

### Options\*\*

	Code	Add
White acrylic grab bar (each)	G01	227 \$
Acrylic Biscuit Color	INT02	1609 \$
Acrylic Black Color	INT48	1609 \$
No front skirt, cut at 2" high	JC2	0 \$
Chromatherapy lights	MLC	1203 \$
White floating remote control	RC01	623 \$
Chrome Linear overflow and drain	BDW-114	377 \$
Drain & Overflow PVC / Chromed brass	WOCO14	390 \$
Heated backrest (one)	DCHB1	765 \$

Integrated acrylic tile flanges. If system, delivered with keypad not installed. Only one grab bar can be factory installed.

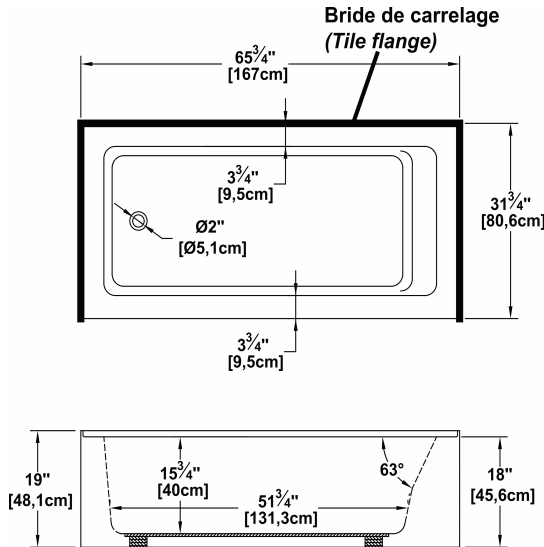
\*\*See the options chart on pages 75 to 78 of this document for all available colors and finishes.

## Pure 6632 (left hand drain)

### Integrated front skirt

66" x 32" x 18" [167,6 cm x 81,3 cm x 45,7 cm]  
41 IMP Gal. / 53.47 US Gal. / 186.38 Liters

#### Alcove installation, flanges on 3 sides



#### Retail price

Product Code	Model	Price
<b>PU6632L</b>	Soaker	<b>2,432 \$</b>
<b>PU6632LAM</b>	AeroMassage™	<b>6,735 \$</b>
<b>PU6632LSA</b>	Super AeroMassage™	<b>7,775 \$</b>
<b>PU6632LLI</b>	Linear cutout	<b>2,432 \$</b>

Standard color : White(01)

Returns accepted on white product only

#### Options\*\*

	Code	Add
White acrylic grab bar (each)	G01	227 \$
Acrylic Biscuit Color	INT02	1609 \$
Acrylic Black Color	INT48	1609 \$
No front skirt, cut at 2" high	JC2	0 \$
Chromatherapy lights	MLC	1203 \$
White floating remote control	RC01	623 \$
Chrome Linear overflow and drain	BDW-114	377 \$
Drain & Overflow PVC / Chromed brass	WOCO14	390 \$
Heated backrest (one)	DCHB1	765 \$

Complete Technical specifications at [www.oceania-attitude.com](http://www.oceania-attitude.com) will prevail at all times

Integrated acrylic tile flanges. If system, delivered with keypad not installed. Only one grab bar can be factory installed.

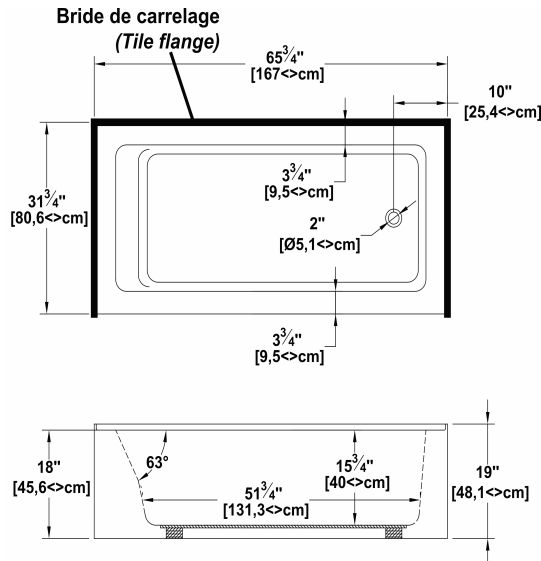
\*\*See the options chart on pages 75 to 78 of this document for all available colors and finishes.

## Pure 6632 (right hand drain)

### Integrated front skirt

66" x 32" x 18" [167,6 cm x 81,3 cm x 45,7 cm]  
41 IMP Gal. / 53.47 US Gal. / 186.38 Liters

#### Alcove installation, flanges on 3 sides



#### Retail price

Product Code	Model	Price
<b>PU6632R</b>	Soaker	<b>2,432 \$</b>
<b>PU6632RAM</b>	AeroMassage™	<b>6,735 \$</b>
<b>PU6632RSA</b>	Super AeroMassage™	<b>7,775 \$</b>
<b>PU6632RLI</b>	Linear cutout	<b>2,432 \$</b>

Standard color : White(01)

Returns accepted on white product only

#### Options\*\*

	Code	Add
White acrylic grab bar (each)	G01	227 \$
Acrylic Biscuit Color	INT02	1609 \$
Acrylic Black Color	INT48	1609 \$
No front skirt, cut at 2" high	JC2	0 \$
Chromatherapy lights	MLC	1203 \$
White floating remote control	RC01	623 \$
Chrome Linear overflow and drain	BDW-114	377 \$
Drain & Overflow PVC / Chromed brass	WOCO14	390 \$
Heated backrest (one)	DCHB1	765 \$

Complete Technical specifications at [www.oceania-attitude.com](http://www.oceania-attitude.com) will prevail at all times

Integrated acrylic tile flanges. If system, delivered with keypad not installed. Only one grab bar can be factory installed.

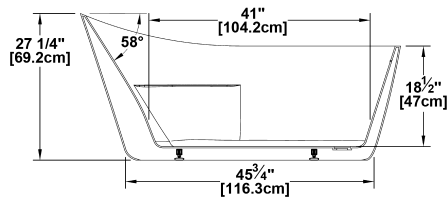
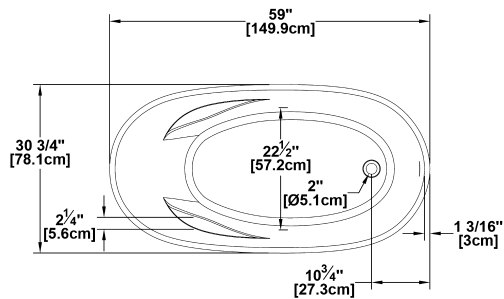
\*\*See the options chart on pages 75 to 78 of this document for all available colors and finishes.

# Romy 59 Freestanding

## One-piece freestanding bath

59" x 31" x 27" [150,5 cm x 81,3 cm x 55,9 cm]  
51 IMP Gal. / 63.65 US Gal. / 240.94 Liters

### Authentik Signature Series



Complete Technical specifications at [www.oceania-attitude.com](http://www.oceania-attitude.com) will prevail at all times

#### Retail price

Product Code	Model	Price
<b>RO59</b>	Soaker	<b>4,496 \$</b>
<b>RO59AM</b>	AeroMassage™	<b>8,262 \$</b>
<b>Not available</b>	Super AeroMassage™	<b>N/A</b>
<b>Not available</b>	Linear cutout	<b>N/A</b>

Standard color : White(01)

Returns accepted on white product only

#### Options\*\*

	Code	Add
Exterior MATTE BLACK finish	EXT48M	2490 \$
Exterior MATTE WHITE acrylic	EXT01M	1486 \$
Glossy black acrylic exterior	EXT48	1609 \$
Exterior MATTE CUSTOM COLOR	EXTXXM	2490 \$
Interior/Exterior MATTE WHITE acrylic	INT-EXT01M	1812 \$
Drain cover - White	INF101	INCL
Drain cover - Chrome	INF114	194 \$
Drain cover - Matte Black	INF148M	194 \$
Chromatherapy lights	MLC	1203 \$
Floor drain for freestanding baths	FBQD	416 \$
Heated backrest (one)	DCHB1	765 \$

**WARNING: The interior is available in white only.**

*Default exterior finish : white acrylic. The overflow is factory installed, the white drain is included but not installed. When ordered with AeroMassage, blower must be remote mounted. If system, delivered with keypad not installed and remote control is included.*

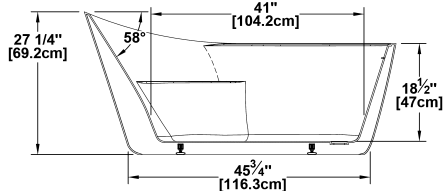
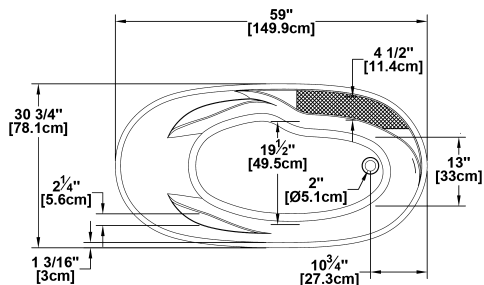
**\*\*See the options chart on pages 75 to 78 of this document for all available colors and finishes.**

# Romy 59 with faucet deck type A

## One-piece freestanding bath

59" x 31" x 27" [150,5 cm x 81,3 cm x 55,9 cm]  
51 IMP Gal. / 63.65 US Gal. / 240.94 Liters

### Authentik Signature Series



Complete Technical specifications at [www.oceania-attitude.com](http://www.oceania-attitude.com) will prevail at all times

#### Retail price

Product Code	Model	Price
<b>RO59DMFA</b>	Soaker	<b>4,496 \$</b>
<b>RO59DMFAAM</b>	AeroMassage™	<b>8,262 \$</b>
<b>Not available</b>	Super AeroMassage™	<b>N/A</b>
<b>Not available</b>	Linear cutout	<b>N/A</b>

Standard color : White(01)

Returns accepted on white product only

#### Options\*\*

	Code	Add
Exterior MATTE BLACK finish	EXT48M	2490 \$
Exterior MATTE WHITE acrylic	EXT01M	1486 \$
Glossy black acrylic exterior	EXT48	1609 \$
Exterior MATTE CUSTOM COLOR	EXTXXM	2490 \$
Interior/Exterior MATTE WHITE acrylic	INT-EXT01M	1812 \$
Drain cover - White	INF101	INCL
Drain cover - Chrome	INF114	194 \$
Drain cover - Matte Black	INF148M	194 \$
Chromatherapy lights	MLC	1203 \$
Floor drain for freestanding baths	FBQD	416 \$
Heated backrest (one)	DCHB1	765 \$

**WARNING: The interior is available in white only.**

*Default exterior finish : white acrylic. The overflow is factory installed, the white drain is included but not installed. When ordered with AeroMassage, blower must be remote mounted. If system, delivered with keypad not installed and remote control is included.*

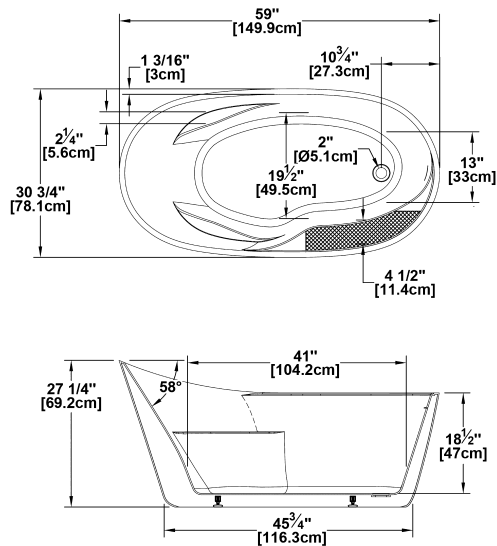
**\*\*See the options chart on pages 75 to 78 of this document for all available colors and finishes.**

## Romy 59 with faucet deck type B

### One-piece freestanding bath

59" x 31" x 27" [150,5 cm x 81,3 cm x 55,9 cm]  
51 IMP Gal. / 63.65 US Gal. / 240.94 Liters

#### Authentik Signature Series



Complete Technical specifications at [www.oceania-attitude.com](http://www.oceania-attitude.com) will prevail at all times

#### Retail price

Product Code	Model	Price
<b>RO59DMFB</b>	Soaker	<b>4,496 \$</b>
<b>RO59DMFBAM</b>	AeroMassage™	<b>8,262 \$</b>
<b>Not available</b>	Super AeroMassage™	<b>N/A</b>
<b>Not available</b>	Linear cutout	<b>N/A</b>

Standard color : White(01)

Returns accepted on white product only

#### Options\*\*

	Code	Add
Exterior MATTE BLACK finish	EXT48M	2490 \$
Exterior MATTE WHITE acrylic	EXT01M	1486 \$
Glossy black acrylic exterior	EXT48	1609 \$
Exterior MATTE CUSTOM COLOR	EXTXXM	2490 \$
Interior/Exterior MATTE WHITE acrylic	INT-EXT01M	1812 \$
Drain cover - White	INF101	INCL
Drain cover - Chrome	INF114	194 \$
Drain cover - Matte Black	INF148M	194 \$
Chromatherapy lights	MLC	1203 \$
Floor drain for freestanding baths	FBQD	416 \$
Heated backrest (one)	DCHB1	765 \$

**WARNING: The interior is available in white only.**

*Default exterior finish : white acrylic. The overflow is factory installed, the white drain is included but not installed. When ordered with AeroMassage, blower must be remote mounted. If system, delivered with keypad not installed and remote control is included.*

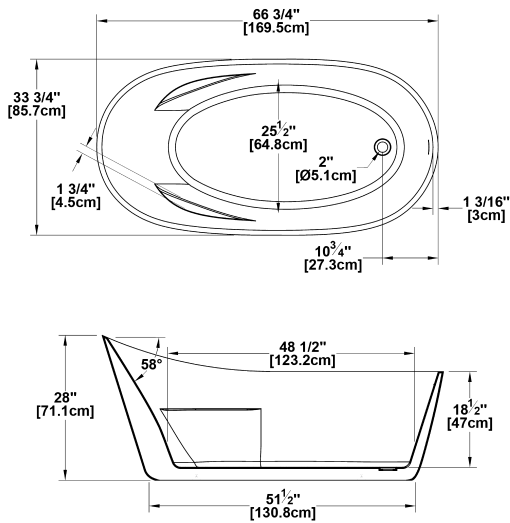
**\*\*See the options chart on pages 75 to 78 of this document for all available colors and finishes.**

## Romy 67 Freestanding

### One-piece freestanding bath

67" x 34" x 28" [169,5 cm x 85,7 cm x 71,1 cm]  
66 IMP Gal. / 86.00 US Gal. / 300.00 Liters

#### Authentik Signature Series



Complete Technical specifications at [www.oceania-attitude.com](http://www.oceania-attitude.com) will prevail at all times

#### Retail price

Product Code	Model	Price
<b>RO67</b>	Soaker	<b>4,940 \$</b>
<b>RO67AM</b>	AeroMassage™	<b>8,814 \$</b>
<b>Not available</b>	Super AeroMassage™	<b>N/A</b>
<b>Not available</b>	Linear cutout	<b>N/A</b>

Standard color : White(01)

Returns accepted on white product only

#### Options\*\*

	Code	Add
Exterior MATTE BLACK finish	EXT48M	2490 \$
Exterior MATTE WHITE acrylic	EXT01M	1486 \$
Glossy black acrylic exterior	EXT48	1609 \$
Exterior MATTE CUSTOM COLOR	EXTXXM	2490 \$
Interior/Exterior MATTE WHITE acrylic	INT-EXT01M	1812 \$
Drain cover - White	INF101	INCL
Drain cover - Chrome	INF114	194 \$
Drain cover - Matte Black	INF148M	194 \$
Chromatherapy lights	MLC	1203 \$
Floor drain for freestanding baths	FBQD	416 \$
Heated backrest (one)	DCHB1	765 \$

**WARNING: The interior is available in white only.**

*Default exterior finish : white acrylic. The overflow is factory installed, the white drain is included but not installed. When ordered with AeroMassage, blower must be remote mounted. If system, delivered with keypad not installed and remote control is included.*

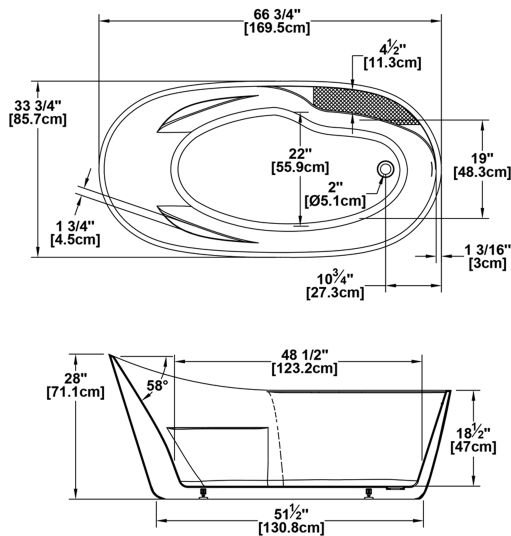
**\*\*See the options chart on pages 75 to 78 of this document for all available colors and finishes.**

## Romy 67 with faucet deck type A

### One-piece freestanding bath

67" x 34" x 28" [169,5 cm x 85,7 cm x 71,1 cm]  
61.8 IMP Gal. / 74.30 US Gal. / 281.20 Liters

#### Authentik Signature Series



Complete Technical specifications at [www.oceania-attitude.com](http://www.oceania-attitude.com) will prevail at all times

#### Retail price

Product Code	Model	Price
RO67DMFA	Soaker	4,940 \$
RO67DMFAAM	AeroMassage™	8,814 \$
Not available	Super AeroMassage™	N/A
Not available	Linear cutout	N/A

Standard color : White(01)

Returns accepted on white product only

#### Options\*\*

	Code	Add
Exterior MATTE BLACK finish	EXT48M	2490 \$
Exterior MATTE WHITE acrylic	EXT01M	1486 \$
Glossy black acrylic exterior	EXT48	1609 \$
Exterior MATTE CUSTOM COLOR	EXTXXM	2490 \$
Interior/Exterior MATTE WHITE acrylic	INT-EXT01M	1812 \$
Drain cover - White	INF101	INCL
Drain cover - Chrome	INF114	194 \$
Drain cover - Matte Black	INF148M	194 \$
Chromatherapy lights	MLC	1203 \$
Floor drain for freestanding baths	FBQD	416 \$
Heated backrest (one)	DCHB1	765 \$

**WARNING: The interior is available in white only.**

Default exterior finish : white acrylic. The overflow is factory installed, the white drain is included but not installed. When ordered with AeroMassage, blower must be remote mounted. If system, delivered with keypad not installed and remote control is included.

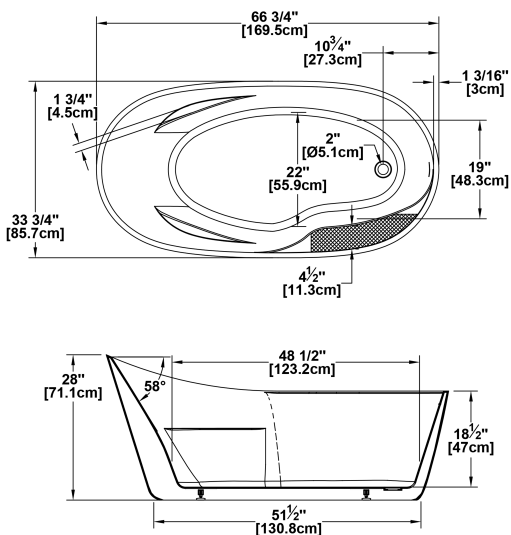
\*\*See the options chart on pages 75 to 78 of this document for all available colors and finishes.

## Romy 67 with faucet deck type B

### One-piece freestanding bath

67" x 34" x 28" [169,5 cm x 85,7 cm x 71,1 cm]  
61.8 IMP Gal. / 74.30 US Gal. / 281.20 Liters

#### Authentik Signature Series



Complete Technical specifications at [www.oceania-attitude.com](http://www.oceania-attitude.com) will prevail at all times

#### Retail price

Product Code	Model	Price
RO67DMFB	Soaker	4,940 \$
RO67DMFBAM	AeroMassage™	8,814 \$
Not available	Super AeroMassage™	N/A
Not available	Linear cutout	N/A

Standard color : White(01)

Returns accepted on white product only

#### Options\*\*

	Code	Add
Exterior MATTE BLACK finish	EXT48M	2490 \$
Exterior MATTE WHITE acrylic	EXT01M	1486 \$
Glossy black acrylic exterior	EXT48	1609 \$
Exterior MATTE CUSTOM COLOR	EXTXXM	2490 \$
Interior/Exterior MATTE WHITE acrylic	INT-EXT01M	1812 \$
Drain cover - White	INF101	INCL
Drain cover - Chrome	INF114	194 \$
Drain cover - Matte Black	INF148M	194 \$
Chromatherapy lights	MLC	1203 \$
Floor drain for freestanding baths	FBQD	416 \$
Heated backrest (one)	DCHB1	765 \$

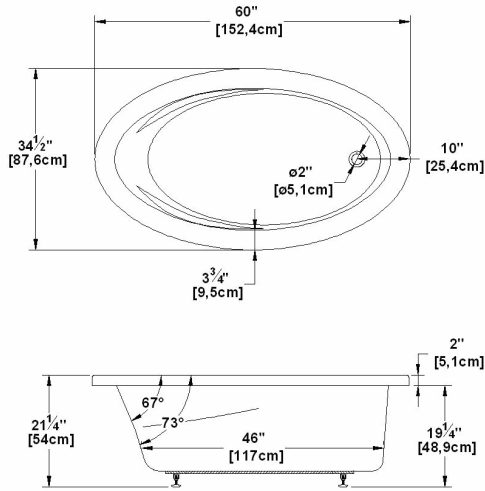
**WARNING: The interior is available in white only.**

Default exterior finish : white acrylic. The overflow is factory installed, the white drain is included but not installed. When ordered with AeroMassage, blower must be remote mounted. If system, delivered with keypad not installed and remote control is included.

\*\*See the options chart on pages 75 to 78 of this document for all available colors and finishes.

## Rose 60

60" x 35" x 21" [152,4 cm x 88,9 cm x 53,3 cm]  
41 IMP Gal. / 53.50 US Gal. / 186.40 Liters



Complete Technical specifications at [www.oceania-attitude.com](http://www.oceania-attitude.com) will prevail at all times

### Retail price

Product Code	Model	Price
<b>RO60</b>	Soaker	<b>2,485 \$</b>
<b>RO60AM</b>	AeroMassage™	<b>5,725 \$</b>
<b>Not available</b>	Super AeroMassage™	<b>N/A</b>
<b>Not available</b>	Linear cutout	<b>N/A</b>

Standard color : White(01)

Returns accepted on white product only

### Options\*\*

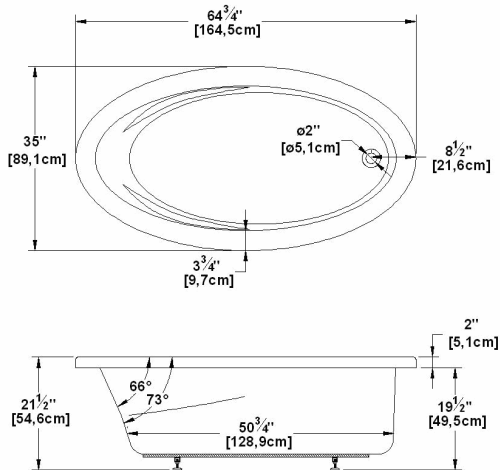
	Code	Add
White acrylic grab bar (each)	G01	227 \$
Acrylic Biscuit Color	INT02	1609 \$
Acrylic Black Color	INT48	1609 \$
Chromatherapy lights	MLC	1203 \$
White floating remote control	RC01	623 \$
Drain & Overflow PVC / Chromed brass	WOCO14	390 \$
Heated backrest (one)	DCHB1	765 \$

*Keypad not installed when ordered with remote control.*

**\*\*See the options chart on pages 75 to 78 of this document for all available colors and finishes.**

## Rose 65

65" x 35" x 21" [165,1 cm x 88,9 cm x 53,3 cm]  
45 IMP Gal. / 58.70 US Gal. / 204.60 Liters



Complete Technical specifications at [www.oceania-attitude.com](http://www.oceania-attitude.com) will prevail at all times

### Retail price

Product Code	Model	Price
<b>RO65</b>	Soaker	<b>2,786 \$</b>
<b>RO65AM</b>	AeroMassage™	<b>5,715 \$</b>
<b>Not available</b>	Super AeroMassage™	<b>N/A</b>
<b>Not available</b>	Linear cutout	<b>N/A</b>

Standard color : White(01)

Returns accepted on white product only

### Options\*\*

	Code	Add
White acrylic grab bar (each)	G01	227 \$
Acrylic Biscuit Color	INT02	1609 \$
Acrylic Black Color	INT48	1609 \$
Chromatherapy lights	MLC	1203 \$
White floating remote control	RC01	623 \$
Drain & Overflow PVC / Chromed brass	WOCO14	390 \$
Heated backrest (one)	DCHB1	765 \$

*Keypad not installed when ordered with remote control.*

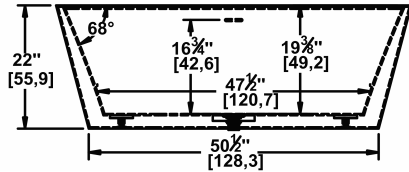
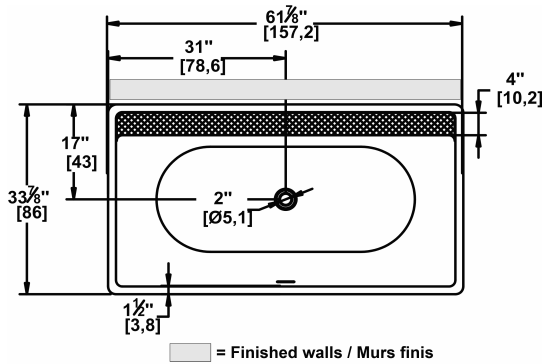
**\*\*See the options chart on pages 75 to 78 of this document for all available colors and finishes.**

# Rupert 62 Freestanding

One-piece freestanding bath

62" x 34" x 22" [157,5 cm x 86,4 cm x 55,9 cm]  
46 IMP Gal. / 59.99 US Gal. / 209.12 Liters

## Authentik Signature Series



Complete Technical specifications at [www.oceania-attitude.com](http://www.oceania-attitude.com) will prevail at all times

### Retail price

Product Code	Model	Price
<b>RU62</b>	Soaker	<b>4,587 \$</b>
<b>RU62AM</b>	AeroMassage™	<b>8,341 \$</b>
<b>Not available</b>	Super AeroMassage™	<b>N/A</b>
<b>Not available</b>	Linear cutout	<b>N/A</b>

Standard color : White(01)

Returns accepted on white product only

### Options\*\*

	Code	Add
Exterior MATTE BLACK finish	EXT48M	2490 \$
Exterior MATTE WHITE acrylic	EXT01M	1486 \$
Glossy black acrylic exterior	EXT48	1609 \$
Exterior MATTE CUSTOM COLOR	EXTXXM	2490 \$
Interior/Exterior MATTE WHITE acrylic	INT-EXT01M	1812 \$
Drain cover - White	INF101	INCL
Drain cover - Chrome	INF114	194 \$
Drain cover - Matte Black	INF148M	194 \$
Chromatherapy lights	MLC	1203 \$
Floor drain for freestanding baths	FBQD	416 \$
Heated backrest (one)	DCHB1	765 \$
Heated backrest (two)	DCHB2	1049 \$

**WARNING: The interior is available in white only.**

*Default exterior finish : white acrylic. The overflow is factory installed, the white drain is included but not installed. When ordered with AeroMassage, blower must be remote mounted. If system, delivered with keypad not installed and remote control is included. The Chromatherapy option is only available with the AeroMassage option.*

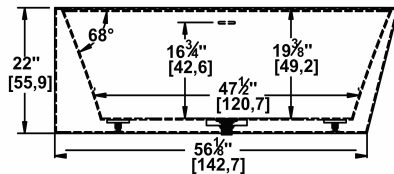
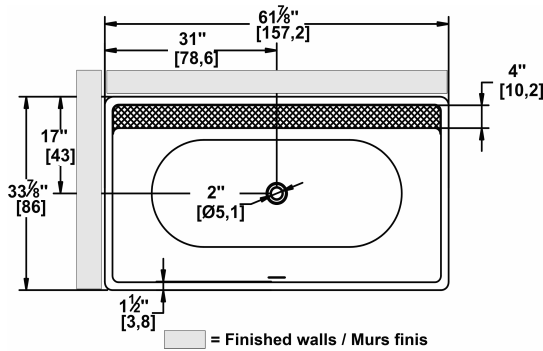
**\*\*See the options chart on pages 75 to 78 of this document for all available colors and finishes.**

# oceania

water • attitude

## Rupert 62 SFR

Authentik Signature Series



Complete Technical specifications at [www.oceania-attitude.com](http://www.oceania-attitude.com) will prevail at all times

## Left corner installation

62" x 34" x 22" [157,5 cm x 86,4 cm x 55,9 cm]  
46 IMP Gal. / 59.99 US Gal. / 209.12 Liters

### Retail price

Product Code	Model	Price
<b>RU62SFR</b>	Soaker	<b>4,587 \$</b>
<b>RU62SFRAM</b>	AeroMassage™	<b>8,341 \$</b>
<b>Not available</b>	Super AeroMassage™	<b>N/A</b>
<b>Not available</b>	Linear cutout	<b>N/A</b>

Standard color : White(01)

Returns accepted on white product only

### Options\*\*

	Code	Add
Exterior MATTE BLACK finish	EXT48M	2490 \$
Exterior MATTE WHITE acrylic	EXT01M	1486 \$
Glossy black acrylic exterior	EXT48	1609 \$
Exterior MATTE CUSTOM COLOR	EXTXXM	2490 \$
Interior/Exterior MATTE WHITE acrylic	INT-EXT01M	1812 \$
Drain cover - White	INF101	INCL
Drain cover - Chrome	INF114	194 \$
Drain cover - Matte Black	INF148M	194 \$
Chromatherapy lights	MLC	1203 \$
Floor drain for freestanding baths	FBQD	416 \$
Heated backrest (one)	DCHB1	765 \$
Heated backrest (two)	DCHB2	1049 \$

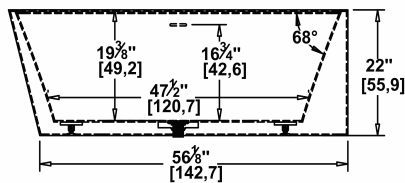
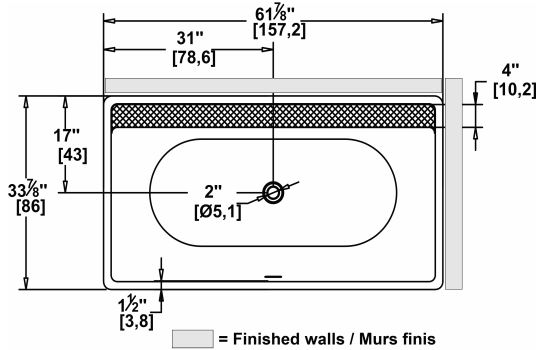
**WARNING: The interior is available in white only.**

Default exterior finish : white acrylic. The overflow is factory installed, the white drain is included but not installed. When ordered with AeroMassage, blower must be remote mounted. If system, delivered with keypad not installed and remote control is included.

\*\*See the options chart on pages 75 to 78 of this document for all available colors and finishes.

## Rupert 62 SFL

Authentik Signature Series



Complete Technical specifications at [www.oceania-attitude.com](http://www.oceania-attitude.com) will prevail at all times

## Right corner installation

62" x 34" x 22" [157,5 cm x 86,4 cm x 55,9 cm]  
46 IMP Gal. / 59.99 US Gal. / 209.12 Liters

### Retail price

Product Code	Model	Price
<b>RU62SFL</b>	Soaker	<b>4,587 \$</b>
<b>RU62SFLAM</b>	AeroMassage™	<b>8,341 \$</b>
<b>Not available</b>	Super AeroMassage™	<b>N/A</b>
<b>Not available</b>	Linear cutout	<b>N/A</b>

Standard color : White(01)

Returns accepted on white product only

### Options\*\*

	Code	Add
Exterior MATTE BLACK finish	EXT48M	2490 \$
Exterior MATTE WHITE acrylic	EXT01M	1486 \$
Glossy black acrylic exterior	EXT48	1609 \$
Exterior MATTE CUSTOM COLOR	EXTXXM	2490 \$
Interior/Exterior MATTE WHITE acrylic	INT-EXT01M	1812 \$
Drain cover - White	INF101	INCL
Drain cover - Chrome	INF114	194 \$
Drain cover - Matte Black	INF148M	194 \$
Chromatherapy lights	MLC	1203 \$
Floor drain for freestanding baths	FBQD	416 \$
Heated backrest (one)	DCHB1	765 \$
Heated backrest (two)	DCHB2	1049 \$

**WARNING: The interior is available in white only.**

Default exterior finish : white acrylic. The overflow is factory installed, the white drain is included but not installed. When ordered with AeroMassage, blower must be remote mounted. If system, delivered with keypad not installed and remote control is included.

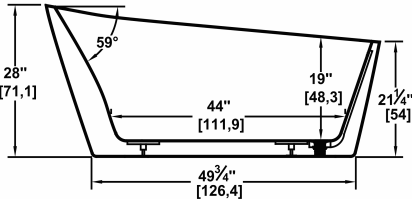
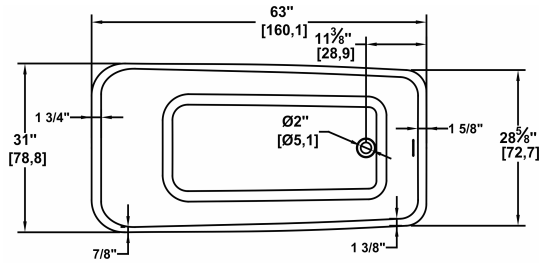
\*\*See the options chart on pages 75 to 78 of this document for all available colors and finishes.

# Sikome 63 Freestanding

## One-piece freestanding bath

63" x 31" x 28" [160,0 cm x 78,7 cm x 71,1 cm]  
58,5 IMP Gal. / 75.65 US Gal. / 263.67 Liters

### Authentik Signature Series



Complete Technical specifications at [www.oceania-attitude.com](http://www.oceania-attitude.com) will prevail at all times

### Retail price

Product Code	Model	Price
<b>SI63</b>	Soaker	<b>4,587 \$</b>
<b>SI63AM</b>	AeroMassage™	<b>8,341 \$</b>
<b>Not available</b>	Super AeroMassage™	<b>N/A</b>
<b>Not available</b>	Linear cutout	<b>N/A</b>

Standard color : White(01)

Returns accepted on white product only

### Options\*\*

	Code	Add
Exterior MATTE BLACK finish	EXT48M	2490 \$
Exterior MATTE WHITE acrylic	EXT01M	1486 \$
Glossy black acrylic exterior	EXT48	1609 \$
Exterior MATTE CUSTOM COLOR	EXTXXM	2490 \$
Interior/Exterior MATTE WHITE acrylic	INT-EXT01M	1812 \$
Drain cover - White	INF101	INCL
Drain cover - Chrome	INF114	194 \$
Drain cover - Matte Black	INF148M	194 \$
Chromatherapy lights	MLC	1203 \$
Floor drain for freestanding baths	FBQD	416 \$
Heated backrest (one)	DCHB1	765 \$

**WARNING: The interior is available in white only.**

*Default exterior finish : white acrylic. The overflow is factory installed, the white drain is included but not installed. When ordered with AeroMassage, blower must be remote mounted. If system, delivered with keypad not installed and remote control is included.*

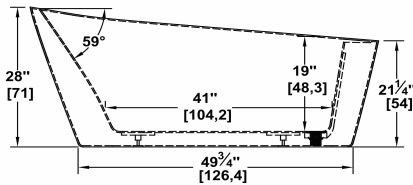
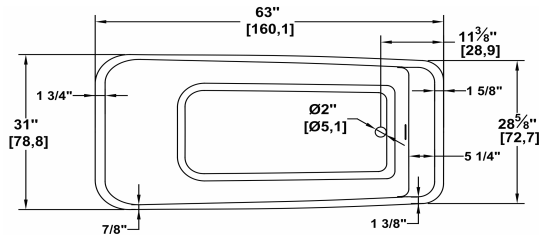
**\*\*See the options chart on pages 75 to 78 of this document for all available colors and finishes.**

# Sikome 63 with faucet deck

## One-piece freestanding bath

63" x 31" x 28" [160,0 cm x 78,7 cm x 71,1 cm]  
55 IMP Gal. / 71.73 US Gal. / 250.03 Liters

### Authentik Signature Series



Complete Technical specifications at [www.oceania-attitude.com](http://www.oceania-attitude.com) will prevail at all times

### Retail price

Product Code	Model	Price
<b>SI63DMF</b>	Soaker	<b>4,587 \$</b>
<b>SI63DMFAM</b>	AeroMassage™	<b>8,341 \$</b>
<b>Not available</b>	Super AeroMassage™	<b>N/A</b>
<b>Not available</b>	Linear cutout	<b>N/A</b>

Standard color : White(01)

Returns accepted on white product only

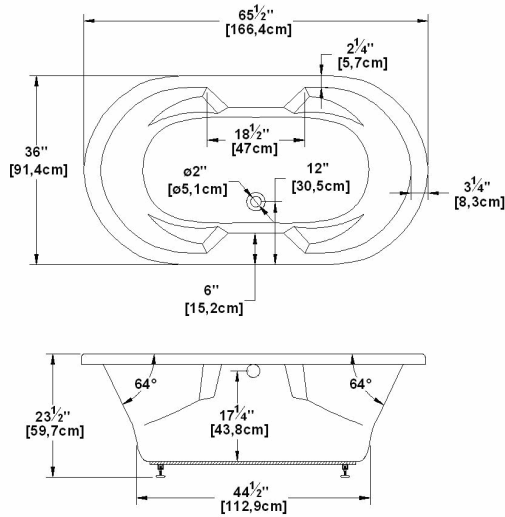
### Options\*\*

	Code	Add
Exterior MATTE BLACK finish	EXT48M	2490 \$
Exterior MATTE WHITE acrylic	EXT01M	1486 \$
Glossy black acrylic exterior	EXT48	1609 \$
Exterior MATTE CUSTOM COLOR	EXTXXM	2490 \$
Interior/Exterior MATTE WHITE acrylic	INT-EXT01M	1812 \$
Drain cover - White	INF101	INCL
Drain cover - Chrome	INF114	194 \$
Drain cover - Matte Black	INF148M	194 \$
Chromatherapy lights	MLC	1203 \$
Floor drain for freestanding baths	FBQD	416 \$
Heated backrest (one)	DCHB1	765 \$

**WARNING: The interior is available in white only.**

*Default exterior finish : white acrylic. The overflow is factory installed, the white drain is included but not installed. When ordered with AeroMassage, blower must be remote mounted. If system, delivered with keypad not installed and remote control is included.*

**\*\*See the options chart on pages 75 to 78 of this document for all available colors and finishes.**



Complete Technical specifications at [www.oceania-attitude.com](http://www.oceania-attitude.com) will prevail at all times

Retail price

Product Code	Model	Price
SO66	Soaker	2,734 \$
SO66AM	AeroMassage™	5,581 \$
SO66SA	Super AeroMassage™	6,909 \$
SO66LI	Linear cutout	2,734 \$

Standard color : White(01)

Returns accepted on white product only

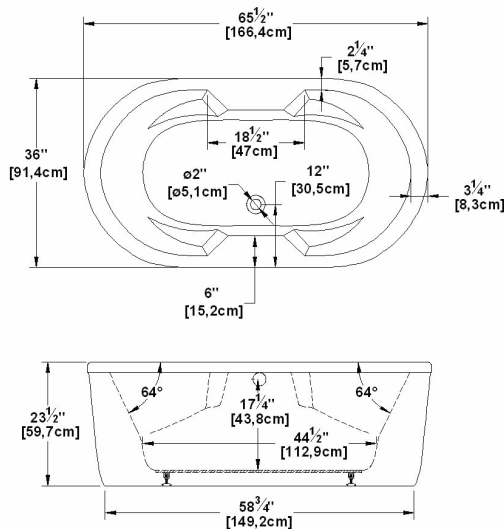
Options\*\*

	Code	Add
White acrylic grab bar (each)	G01	227 \$
Acrylic Biscuit Color	INT02	1609 \$
Acrylic Black Color	INT48	1609 \$
Chromatherapy lights	MLC	1203 \$
White floating remote control	RC01	623 \$
Chrome Linear overflow and drain	BDW-114	377 \$
Drain & Overflow PVC / Chromed brass	WOCO14	390 \$
Heated backrest (one)	DCHB1	765 \$
Heated backrest (two)	DCHB2	1049 \$

Keypad not installed when ordered with remote control. Only one grab bar can be factory installed.

\*\*See the options chart on pages 75 to 78 of this document for all available colors and finishes.

Sophia 66 Freestanding



Complete Technical specifications at [www.oceania-attitude.com](http://www.oceania-attitude.com) will prevail at all times

Retail price

Product Code	Model	Price
SO66FS	Soaker	4,415 \$
SO66FSAM	AeroMassage™	6,540 \$
SO66FSSA	Super AeroMassage™	8,411 \$
SO66FSLI	Linear cutout	4,415 \$

Standard color : White(01)

Returns accepted on white product only

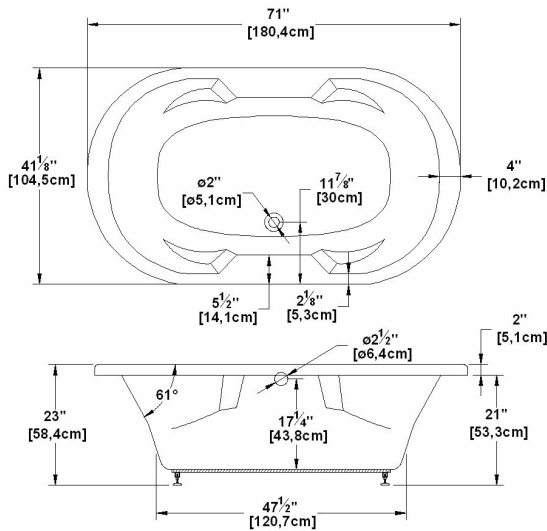
Options\*\*

	Code	Add
White acrylic grab bar (each)	G01	227 \$
Glossy black acrylic exterior	EXT48	1609 \$
Exterior MATTE WHITE acrylic	EXT01M	1486 \$
Chromatherapy lights	MLC	1203 \$
White floating remote control	RC01	623 \$
Floor drain for freestanding baths	FBQD	416 \$
Chrome Linear overflow and drain	BDW-114	377 \$
Flexible Drain & Overflow / Chromed brass	WOCOSBS14	620 \$
Heated backrest (one)	DCHB1	765 \$
Heated backrest (two)	DCHB2	1049 \$

WARNING: The interior is available in white only.

Default exterior finish : white acrylic. Over-flow must be installed with flexible piping. When ordered with AeroMassage or Super AeroMassage, blower must be remote mounted. Keypad not installed when ordered with remote control. Only one grab bar can be factory installed.

\*\*See the options chart on pages 75 to 78 of this document for all available colors and finishes.



Retail price

Product Code	Model	Price
<b>SO72</b>	Soaker	<b>2,896 \$</b>
<b>SO72AM</b>	AeroMassage™	<b>5,825 \$</b>
<b>SO72SA</b>	Super AeroMassage™	<b>7,055 \$</b>
<b>SO72LI</b>	Linear cutout	<b>2,896 \$</b>

Standard color : White(01)

Returns accepted on white product only

Options\*\*

	Code	Add
White acrylic grab bar (each)	G01	227 \$
Acrylic Biscuit Color	INT02	1609 \$
Acrylic Black Color	INT48	1609 \$
Chromatherapy lights	MLC	1203 \$
White floating remote control	RC01	623 \$
Chrome Linear overflow and drain	BDW-114	377 \$
Drain & Overflow PVC / Chromed brass	WOCO14	390 \$
Heated backrest (one)	DCHB1	765 \$
Heated backrest (two)	DCHB2	1049 \$

Complete Technical specifications at [www.oceania-attitude.com](http://www.oceania-attitude.com) will prevail at all times

**Keypad not installed when ordered with remote control. Only one grab bar can be factory installed.**

**\*\*See the options chart on pages 75 to 78 of this document for all available colors and finishes.**

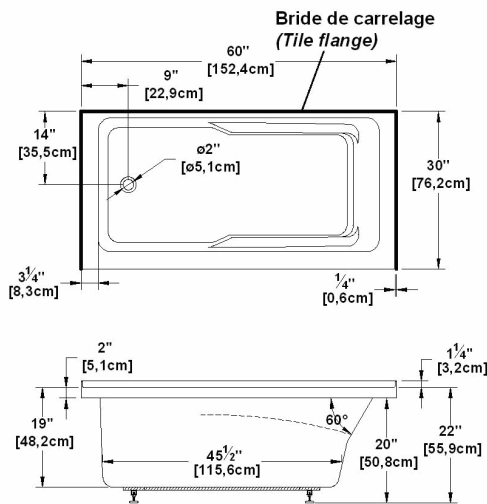
oceania  
water • attitude

## Sublime 6030 (left hand drain)

Integrated tile flanges on 3 sides

60" x 30" x 22" [152,4 cm x 76,2 cm x 55,9 cm]  
45 IMP Gal. / 58.69 US Gal. / 204.57 Liters

Alcove installation, flanges on 3 sides



Retail price

Product Code	Model	Price
SU6030L	Soaker	1,894 \$
SU6030LAM	AeroMassage™	6,041 \$
SU6030LSA	Super AeroMassage™	7,839 \$
SU6030LLI	Linear cutout	1,894 \$

Standard color : White(01)

Returns accepted on white product only

Options\*\*

	Code	Add
White acrylic grab bar (each)	G01	227 \$
Acrylic Biscuit Color	INT02	1609 \$
Acrylic Black Color	INT48	1609 \$
Removable White Skirt Panel for 60" baths	JA60	1225 \$
Chromatherapy lights	MLC	1203 \$
White floating remote control	RC01	623 \$
Chrome Linear overflow and drain	BDW-114	377 \$
Drain & Overflow PVC / Chromed brass	WOCO14	390 \$
Heated backrest (one)	DCHB1	765 \$

Complete Technical specifications at [www.oceania-attitude.com](http://www.oceania-attitude.com) will prevail at all times

**WARNING: If this bath is multiple ordered nested, its height will be about 1-1/2" lower and will not have adjustable feet.**

*Integrated acrylic tile flanges. If system, delivered with keypad not installed.*

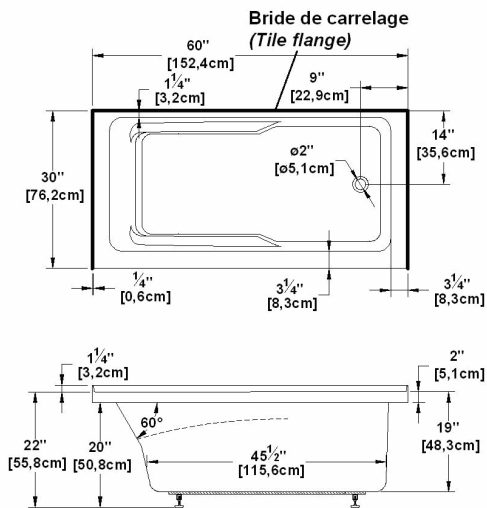
\*\*See the options chart on pages 75 to 78 of this document for all available colors and finishes.

## Sublime 6030 (right hand drain)

Integrated tile flanges on 3 sides

60" x 30" x 22" [152,4 cm x 76,2 cm x 55,9 cm]  
45 IMP Gal. / 58.69 US Gal. / 204.57 Liters

Alcove installation, flanges on 3 sides



Retail price

Product Code	Model	Price
SU6030R	Soaker	1,894 \$
SU6030RAM	AeroMassage™	6,041 \$
SU6030RSA	Super AeroMassage™	7,839 \$
SU6030RLI	Linear cutout	1,894 \$

Standard color : White(01)

Returns accepted on white product only

Options\*\*

	Code	Add
White acrylic grab bar (each)	G01	227 \$
Acrylic Biscuit Color	INT02	1609 \$
Acrylic Black Color	INT48	1609 \$
Removable White Skirt Panel for 60" baths	JA60	1225 \$
Chromatherapy lights	MLC	1203 \$
White floating remote control	RC01	623 \$
Chrome Linear overflow and drain	BDW-114	377 \$
Drain & Overflow PVC / Chromed brass	WOCO14	390 \$
Heated backrest (one)	DCHB1	765 \$

Complete Technical specifications at [www.oceania-attitude.com](http://www.oceania-attitude.com) will prevail at all times

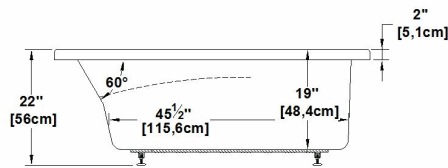
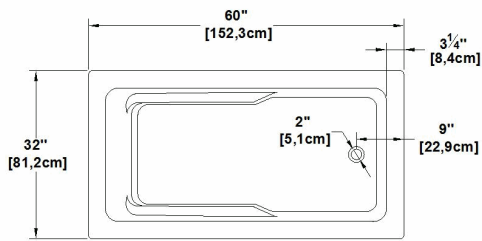
**WARNING: If this bath is multiple ordered nested, its height will be about 1-1/2" lower and will not have adjustable feet.**

*Integrated acrylic tile flanges. If system, delivered with keypad not installed.*

\*\*See the options chart on pages 75 to 78 of this document for all available colors and finishes.

## Sublime 6032

60" x 32" x 22" [152,4 cm x 81,3 cm x 55,9 cm]  
45 IMP Gal. / 58.70 US Gal. / 204.60 Liters



Complete Technical specifications at [www.oceania-attitude.com](http://www.oceania-attitude.com) will prevail at all times

### Retail price

Product Code	Model	Price
<b>SU6032</b>	Soaker	<b>1,894 \$</b>
<b>SU6032AM</b>	AeroMassage™	<b>6,041 \$</b>
<b>SU6032SA</b>	Super AeroMassage™	<b>7,839 \$</b>
<b>SU6032LI</b>	Linear cutout	<b>1,894 \$</b>

Standard color : White(01)

Returns accepted on white product only

### Options\*\*

	Code	Add
White acrylic grab bar (each)	G01	227 \$
Acrylic Biscuit Color	INT02	1609 \$
Acrylic Black Color	INT48	1609 \$
Removable White Skirt Panel for 60" baths	JA60	1225 \$
Low-Profile bath lip	LP	346 \$
Chromatherapy lights	MLC	1203 \$
White floating remote control	RC01	623 \$
Tile flange for baths, see page 60	TF	240 \$
Chrome Linear overflow and drain	BDW-114	377 \$
Drain & Overflow PVC / Chromed brass	WOCO14	390 \$
Heated backrest (one)	DCHB1	765 \$

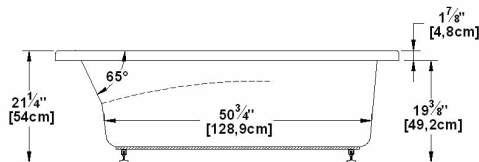
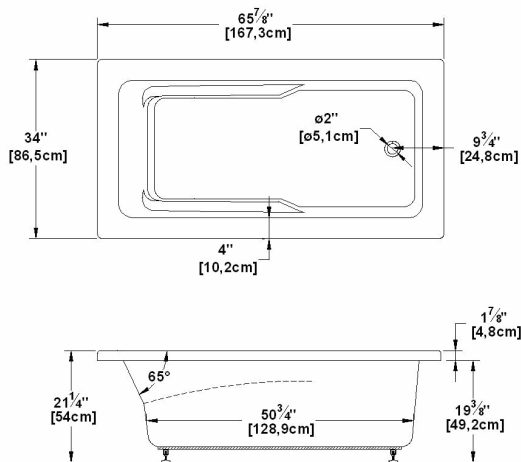
**WARNING: If this bath is multiple ordered nested, its height will be about 1-1/2" lower and will not have adjustable feet.**

*Keypad supplied but not installed when ordered with tile flanges or remote control.*

**\*\*See the options chart on pages 75 to 78 of this document for all available colors and finishes.**

## Sublime 6634

66" x 34" x 21" [167,6 cm x 86,4 cm x 53,3 cm]  
46 IMP Gal. / 59.99 US Gal. / 209.12 Liters



Complete Technical specifications at [www.oceania-attitude.com](http://www.oceania-attitude.com) will prevail at all times

### Retail price

Product Code	Model	Price
<b>SU6634</b>	Soaker	<b>2,078 \$</b>
<b>SU6634AM</b>	AeroMassage™	<b>6,872 \$</b>
<b>SU6634SA</b>	Super AeroMassage™	<b>8,245 \$</b>
<b>SU6634LI</b>	Linear cutout	<b>2,078 \$</b>

Standard color : White(01)

Returns accepted on white product only

### Options\*\*

	Code	Add
White acrylic grab bar (each)	G01	227 \$
Acrylic Biscuit Color	INT02	1609 \$
Acrylic Black Color	INT48	1609 \$
Removable White Skirt Panel for 66" baths	JA66	1284 \$
Low-Profile bath lip	LP	346 \$
Chromatherapy lights	MLC	1203 \$
White floating remote control	RC01	623 \$
Tile flange for baths, see page 60	TF	240 \$
Chrome Linear overflow and drain	BDW-114	377 \$
Drain & Overflow PVC / Chromed brass	WOCO14	390 \$
Heated backrest (one)	DCHB1	765 \$

**WARNING: If this bath is multiple ordered nested, its height will be about 1-1/2" lower and will not have adjustable feet.**

*Keypad supplied but not installed when ordered with tile flanges or remote control.*

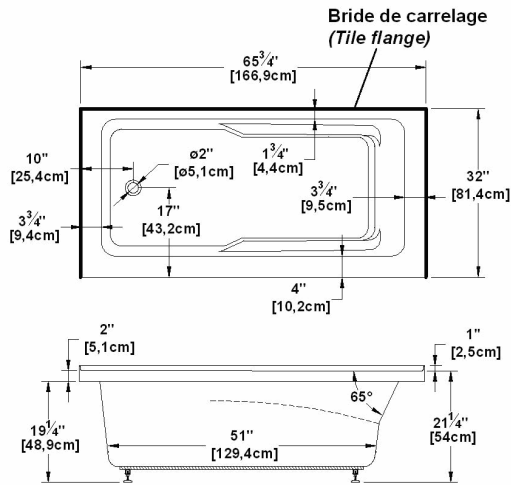
**\*\*See the options chart on pages 75 to 78 of this document for all available colors and finishes.**

## Sublime 6632 (left hand drain)

Integrated tile flanges on 3 sides

66" x 32" x 21.5" [167,6 cm x 81,3 cm x 54,6 cm]  
46 IMP Gal. / 60.00 US Gal. / 209.10 Liters

Alcove installation, flanges on 3 sides



Retail price

Product Code	Model	Price
<b>SU6632L</b>	Soaker	<b>2,078 \$</b>
<b>SU6632LAM</b>	AeroMassage™	<b>6,872 \$</b>
<b>SU6632LSA</b>	Super AeroMassage™	<b>8,245 \$</b>
<b>SU6632LLI</b>	Linear cutout	<b>2,078 \$</b>

Standard color : White(01)

Returns accepted on white product only

Options\*\*

	Code	Add
White acrylic grab bar (each)	G01	227 \$
Acrylic Biscuit Color	INT02	1609 \$
Acrylic Black Color	INT48	1609 \$
Removable White Skirt Panel for 66" baths	JA66	1284 \$
Chromotherapy lights	MLC	1203 \$
White floating remote control	RC01	623 \$
Chrome Linear overflow and drain	BDW-114	377 \$
Drain & Overflow PVC / Chromed brass	WOCO14	390 \$
Heated backrest (one)	DCHB1	765 \$

Complete Technical specifications at [www.oceania-attitude.com](http://www.oceania-attitude.com) will prevail at all times

**WARNING: If this bath is multiple ordered nested, its height will be about 1-1/2" lower and will not have adjustable feet.**

*Integrated acrylic tile flanges. If system, delivered with keypad not installed.*

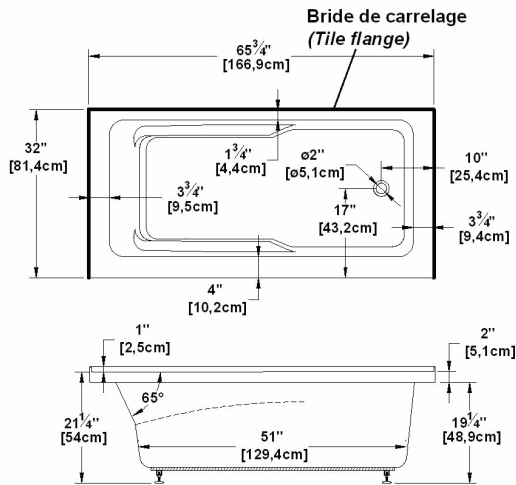
**\*\*See the options chart on pages 75 to 78 of this document for all available colors and finishes.**

## Sublime 6632 (right hand drain)

Integrated tile flanges on 3 sides

66" x 32" x 21.5" [167,6 cm x 81,3 cm x 54,6 cm]  
46 IMP Gal. / 60.00 US Gal. / 209.10 Liters

Alcove installation, flanges on 3 sides



Retail price

Product Code	Model	Price
<b>SU6632R</b>	Soaker	<b>2,078 \$</b>
<b>SU6632RAM</b>	AeroMassage™	<b>6,872 \$</b>
<b>SU6632RSA</b>	Super AeroMassage™	<b>8,245 \$</b>
<b>SU6632RLI</b>	Linear cutout	<b>2,078 \$</b>

Standard color : White(01)

Returns accepted on white product only

Options\*\*

	Code	Add
White acrylic grab bar (each)	G01	227 \$
Acrylic Biscuit Color	INT02	1609 \$
Acrylic Black Color	INT48	1609 \$
Removable White Skirt Panel for 66" baths	JA66	1284 \$
Chromotherapy lights	MLC	1203 \$
White floating remote control	RC01	623 \$
Chrome Linear overflow and drain	BDW-114	377 \$
Drain & Overflow PVC / Chromed brass	WOCO14	390 \$
Heated backrest (one)	DCHB1	765 \$

Complete Technical specifications at [www.oceania-attitude.com](http://www.oceania-attitude.com) will prevail at all times

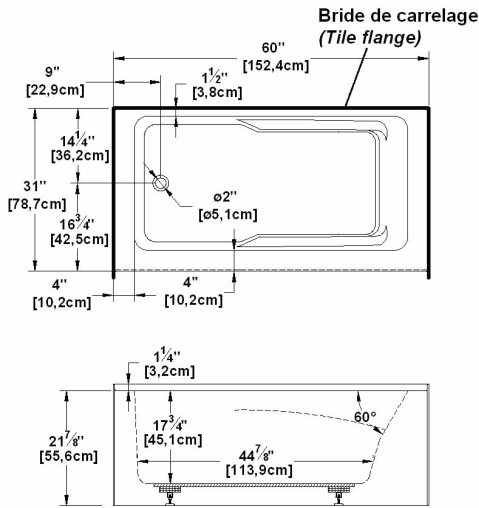
**WARNING: If this bath is multiple ordered nested, its height will be about 1-1/2" lower and will not have adjustable feet.**

*Integrated acrylic tile flanges. If system, delivered with keypad not installed.*

**\*\*See the options chart on pages 75 to 78 of this document for all available colors and finishes.**

## Suite 6031 L-SF

### Left hand drain, 1 Skirt (Front)



Complete Technical specifications at [www.oceania-attitude.com](http://www.oceania-attitude.com) will prevail at all times

### 1 integrated skirt

60" x 31" x 22" [152,4 cm x 78,7 cm x 55,9 cm]  
40 IMP Gal. / 52.17 US Gal. / 181.84 Liters

#### Retail price

Product Code	Model	Price
SU6031LSF	Soaker	2,691 \$
SU6031LSFAM	AeroMassage™	7,117 \$
SU6031LSFSA	Super AeroMassage™	9,017 \$
SU6031LSFLI	Linear cutout	2,691 \$

Standard color : White(01)

Returns accepted on white product only

#### Options\*\*

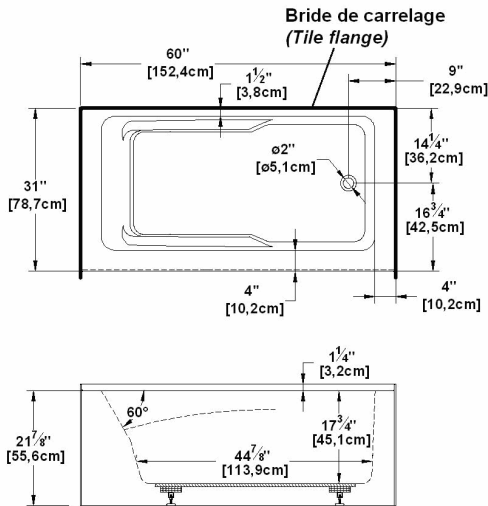
	Code	Add
White acrylic grab bar (each)	G01	227 \$
Chromatherapy lights	MLC	1203 \$
White floating remote control	RC01	623 \$
Chrome Linear overflow and drain	BDW-114	377 \$
Drain & Overflow PVC / Chromed brass	WOCO14	390 \$
Heated backrest (one)	DCHB1	765 \$

*Integrated acrylic tile flanges. If system, delivered with keypad not installed. Available in white only. Only one grab bar can be factory installed.*

**\*\*See the options chart on pages 75 to 78 of this document for all available colors and finishes.**

## Suite 6031 R-SF

### Right hand drain, 1 Skirt (Front)



Complete Technical specifications at [www.oceania-attitude.com](http://www.oceania-attitude.com) will prevail at all times

### 1 integrated skirt

60" x 31" x 22" [152,4 cm x 78,7 cm x 55,9 cm]  
40 IMP Gal. / 52.17 US Gal. / 181.84 Liters

#### Retail price

Product Code	Model	Price
SU6031RSF	Soaker	2,691 \$
SU6031RSFAM	AeroMassage™	7,117 \$
SU6031RSFSA	Super AeroMassage™	9,017 \$
SU6031RSFLI	Linear cutout	2,691 \$

Standard color : White(01)

Returns accepted on white product only

#### Options\*\*

	Code	Add
White acrylic grab bar (each)	G01	227 \$
Chromatherapy lights	MLC	1203 \$
White floating remote control	RC01	623 \$
Chrome Linear overflow and drain	BDW-114	377 \$
Drain & Overflow PVC / Chromed brass	WOCO14	390 \$
Heated backrest (one)	DCHB1	765 \$

*Integrated acrylic tile flanges. If system, delivered with keypad not installed. Available in white only. Only one grab bar can be factory installed.*

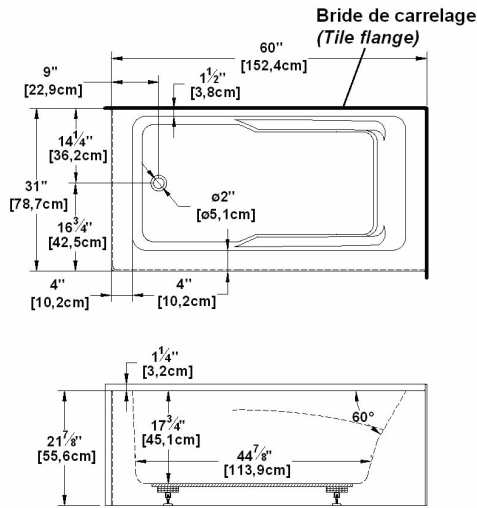
**\*\*See the options chart on pages 75 to 78 of this document for all available colors and finishes.**

## Suite 6031LSFL (left drain)

2 Skirts (Front and Left)

60" x 31" x 22" [152,4 cm x 78,7 cm x 55,9 cm]  
40 IMP Gal. / 52.17 US Gal. / 181.84 Liters

### Authentik Signature Series



#### Retail price

Product Code	Model	Price
<b>SU6031LSFL</b>	Soaker	<b>3,614 \$</b>
<b>SU6031LSFLAM</b>	AeroMassage™	<b>7,747 \$</b>
<b>SU6031LSFLSA</b>	Super AeroMassage™	<b>9,646 \$</b>
<b>SU6031LSFLLI</b>	Linear cutout	<b>3,614 \$</b>

Standard color : White(01)

Returns accepted on white product only

#### Options\*\*

	Code	Add
Exterior MATTE CUSTOM COLOR	EXTXXM	2490 \$
Exterior MATTE BLACK finish	EXT48M	2490 \$
White acrylic grab bar (each)	G01	227 \$
Chromatherapy lights	MLC	1203 \$
White floating remote control	RC01	623 \$
Installation panel DRAIN side	TI-DR	425 \$
Floor drain for freestanding baths	FBQD	416 \$
Chrome Linear overflow and drain	BDW-114	377 \$
Flexible Drain & Overflow / Chromed brass	WOCOSBS14	620 \$
Heated backrest (one)	DCHB1	765 \$

Complete Technical specifications at [www.oceania-attitude.com](http://www.oceania-attitude.com) will prevail at all times

**WARNING: The installation panel TI-DR is mandatory with the BDW series of drains.**

*Integrated acrylic tile flanges. If system, delivered with keypad not installed and blower must be remote mounted. Available in white only. Only one grab bar can be factory installed. Special Finish not available when ordered with installation panel.*

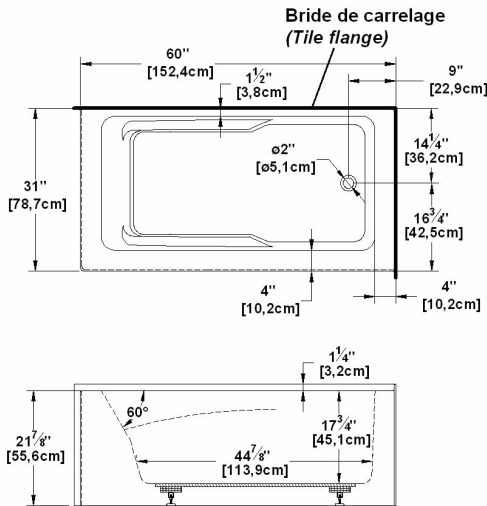
**\*\*See the options chart on pages 75 to 78 of this document for all available colors and finishes.**

## Suite 6031RSFL (right drain)

2 Skirts (Front and Left)

60" x 31" x 22" [152,4 cm x 78,7 cm x 55,9 cm]  
40 IMP Gal. / 52.20 US Gal. / 181.80 Liters

### Authentik Signature Series



#### Retail price

Product Code	Model	Price
<b>SU6031RSFL</b>	Soaker	<b>3,614 \$</b>
<b>SU6031RSFLAM</b>	AeroMassage™	<b>7,747 \$</b>
<b>SU6031RSFLSA</b>	Super AeroMassage™	<b>9,646 \$</b>
<b>SU6031RSFLLI</b>	Linear cutout	<b>3,614 \$</b>

Standard color : White(01)

Returns accepted on white product only

#### Options\*\*

	Code	Add
Exterior MATTE CUSTOM COLOR	EXTXXM	2490 \$
Exterior MATTE BLACK finish	EXT48M	2490 \$
White acrylic grab bar (each)	G01	227 \$
Chromatherapy lights	MLC	1203 \$
White floating remote control	RC01	623 \$
Installation panel BACK REST side	TI-DO	425 \$
Chrome Linear overflow and drain	BDW-114	377 \$
Drain & Overflow PVC / Chromed brass	WOCO14	390 \$
Heated backrest (one)	DCHB1	765 \$

Complete Technical specifications at [www.oceania-attitude.com](http://www.oceania-attitude.com) will prevail at all times

*Integrated acrylic tile flanges. If system, delivered with keypad not installed and blower must be remote mounted. Available in white only. Only one grab bar can be factory installed. Special Finish not available when ordered with installation panel.*

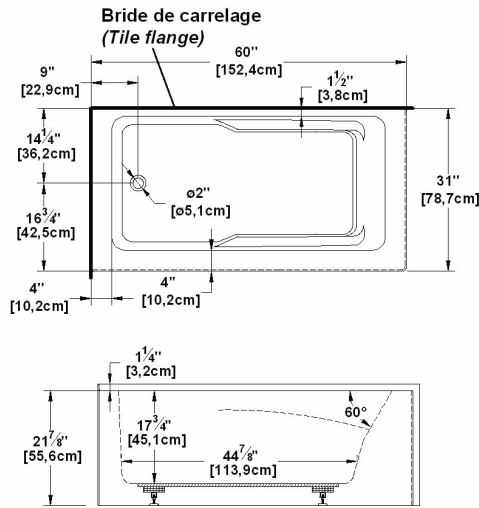
**\*\*See the options chart on pages 75 to 78 of this document for all available colors and finishes.**

## Suite 6031LSFR (left drain)

Authentik Signature Series

2 Skirts (Front and Right)

60" x 31" x 22" [152,4 cm x 78,7 cm x 55,9 cm]  
40 IMP Gal. / 52.20 US Gal. / 181.80 Liters



### Retail price

Product Code	Model	Price
<b>SU6031LSFR</b>	Soaker	<b>3,614 \$</b>
<b>SU6031LSFRAM</b>	AeroMassage™	<b>7,747 \$</b>
<b>SU6031LSFRSA</b>	Super AeroMassage™	<b>9,646 \$</b>
<b>SU6031LSFRLI</b>	Linear cutout	<b>3,614 \$</b>

Standard color : White(01)

Returns accepted on white product only

### Options\*\*

Options**	Code	Add
Exterior MATTE CUSTOM COLOR	EXTXXM	2490 \$
Exterior MATTE BLACK finish	EXT48M	2490 \$
White acrylic grab bar (each)	G01	227 \$
Chromatherapy lights	MLC	1203 \$
White floating remote control	RC01	623 \$
Installation panel BACK REST side	TI-DO	425 \$
Chrome Linear overflow and drain	BDW-114	377 \$
Drain & Overflow PVC / Chromed brass	WOCO14	390 \$
Heated backrest (one)	DCHB1	765 \$

Complete Technical specifications at [www.oceania-attitude.com](http://www.oceania-attitude.com) will prevail at all times

**Integrated acrylic tile flanges. If system, delivered with keypad not installed and blower must be remote mounted. Available in white only. Only one grab bar can be factory installed. Special Finish not available when ordered with installation panel.**

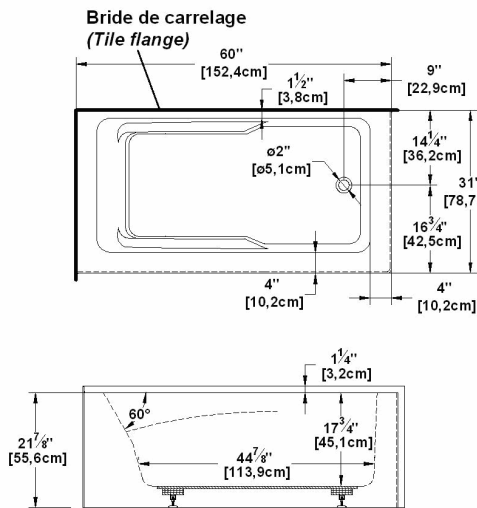
**\*\*See the options chart on pages 75 to 78 of this document for all available colors and finishes.**

## Suite 6031RSFR (right drain)

Authentik Signature Series

2 Skirts (Front and Right)

60" x 31" x 22" [152,4 cm x 78,7 cm x 55,9 cm]  
40 IMP Gal. / 52.20 US Gal. / 181.80 Liters



### Retail price

Product Code	Model	Price
<b>SU6031RSFR</b>	Soaker	<b>3,614 \$</b>
<b>SU6031RSFRAM</b>	AeroMassage™	<b>7,747 \$</b>
<b>SU6031RSFRSA</b>	Super AeroMassage™	<b>9,646 \$</b>
<b>SU6031RSFRLI</b>	Linear cutout	<b>3,614 \$</b>

Standard color : White(01)

Returns accepted on white product only

### Options\*\*

Options**	Code	Add
Exterior MATTE CUSTOM COLOR	EXTXXM	2490 \$
Exterior MATTE BLACK finish	EXT48M	2490 \$
White acrylic grab bar (each)	G01	227 \$
Chromatherapy lights	MLC	1203 \$
White floating remote control	RC01	623 \$
Installation panel DRAIN side	TI-DR	425 \$
Floor drain for freestanding baths	FBQD	416 \$
Chrome Linear overflow and drain	BDW-114	377 \$
Flexible Drain & Overflow / Chromed brass	WOCOSBS14	620 \$
Heated backrest (one)	DCHB1	765 \$

Complete Technical specifications at [www.oceania-attitude.com](http://www.oceania-attitude.com) will prevail at all times

**WARNING: The installation panel TI-DR is mandatory with the BDW series of drains.**

**Integrated acrylic tile flanges. If system, delivered with keypad not installed and blower must be remote mounted. Available in white only. Only one grab bar can be factory installed. Special Finish not available when ordered with installation panel.**

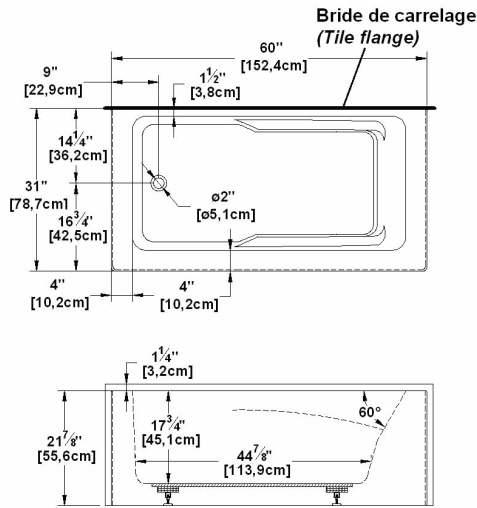
**\*\*See the options chart on pages 75 to 78 of this document for all available colors and finishes.**

## Suite 6031LSFLR (left drain)

3 Skirts (Front, Left and Right)

60" x 31" x 22" [152,4 cm x 78,7 cm x 55,9 cm]  
40 IMP Gal. / 52.17 US Gal. / 181.84 Liters

### Authentik Signature Series



#### Retail price

Product Code	Model	Price
<b>SU6031LSFLR</b>	Soaker	<b>4,234 \$</b>
<b>SU6031LSFLRAM</b>	AeroMassage™	<b>8,449 \$</b>
<b>SU6031LSFLRSA</b>	Super AeroMassage™	<b>10,347 \$</b>
<b>SU6031LSFLRLI</b>	Linear cutout	<b>4,234 \$</b>

Standard color : White(01)

Returns accepted on white product only

#### Options\*\*

	Code	Add
Exterior MATTE CUSTOM COLOR	EXTXXM	2490 \$
White acrylic grab bar (each)	G01	227 \$
Chromatherapy lights	MLC	1203 \$
White floating remote control	RC01	623 \$
Installation panel BACK REST side	TI-DO	425 \$
Installation panel DRAIN side	TI-DR	425 \$
Floor drain for freestanding baths	FBQD	416 \$
Flexible Drain & Overflow / Chromed brass	WOCOSBS14	620 \$
Chrome Linear overflow and drain	BDW-114	377 \$
Heated backrest (one)	DCHB1	765 \$

Complete Technical specifications at [www.oceania-attitude.com](http://www.oceania-attitude.com) will prevail at all times

**WARNING: The installation panel TI-DR is mandatory with the BDW series of drains.**

*Integrated acrylic tile flanges. If system, delivered with keypad not installed and blower must be remote mounted. Available in white only. Only one grab bar can be factory installed. Special Finish not available when ordered with installation panel.*

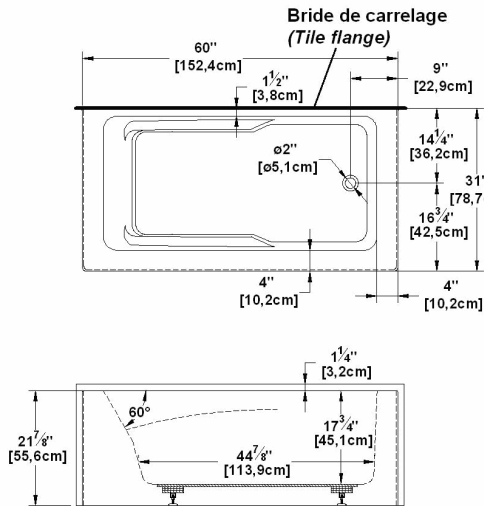
\*\*See the options chart on pages 75 to 78 of this document for all available colors and finishes.

## Suite 6031RSFLR (right drain)

3 Skirts (Front, Left and Right)

60" x 31" x 22" [152,4 cm x 78,7 cm x 55,9 cm]  
40 IMP Gal. / 52.20 US Gal. / 181.80 Liters

### Authentik Signature Series



#### Retail price

Product Code	Model	Price
<b>SU6031RSFLR</b>	Soaker	<b>4,234 \$</b>
<b>SU6031RSFLRAM</b>	AeroMassage™	<b>8,449 \$</b>
<b>SU6031RSFLRSA</b>	Super AeroMassage™	<b>10,347 \$</b>
<b>SU6031RSFLRLI</b>	Linear cutout	<b>4,234 \$</b>

Standard color : White(01)

Returns accepted on white product only

#### Options\*\*

	Code	Add
Exterior MATTE CUSTOM COLOR	EXTXXM	2490 \$
White acrylic grab bar (each)	G01	227 \$
Chromatherapy lights	MLC	1203 \$
White floating remote control	RC01	623 \$
Installation panel BACK REST side	TI-DO	425 \$
Installation panel DRAIN side	TI-DR	425 \$
Floor drain for freestanding baths	FBQD	416 \$
Flexible Drain & Overflow / Chromed brass	WOCOSBS14	620 \$
Chrome Linear overflow and drain	BDW-114	377 \$
Heated backrest (one)	DCHB1	765 \$

Complete Technical specifications at [www.oceania-attitude.com](http://www.oceania-attitude.com) will prevail at all times

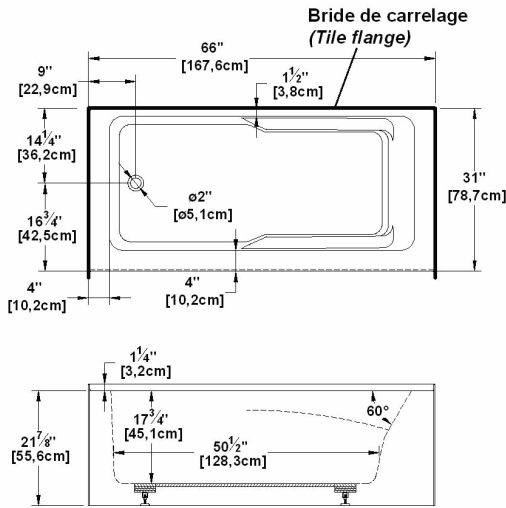
**WARNING: The installation panel TI-DR is mandatory with the BDW series of drains.**

*Integrated acrylic tile flanges. If system, delivered with keypad not installed and blower must be remote mounted. Available in white only. Only one grab bar can be factory installed. Special Finish not available when ordered with installation panel.*

\*\*See the options chart on pages 75 to 78 of this document for all available colors and finishes.

## Suite 6631 L-SF

Left hand drain, 1 Skirt (Front)



1 integrated skirt

66" x 31" x 22" [167,6 cm x 78,7 cm x 55,9 cm]  
44 IMP Gal. / 57.40 US Gal. / 200.00 Liters

**Retail price**

Product Code	Model	Price
SU6631LSF	Soaker	4,151 \$
SU6631LSFAM	AeroMassage™	7,677 \$
SU6631LSFSA	Super AeroMassage™	9,306 \$
SU6631LSFLI	Linear cutout	4,151 \$

Standard color : White(01)

Returns accepted on white product only

**Options\*\***

	Code	Add
White acrylic grab bar (each)	G01	227 \$
Chromatherapy lights	MLC	1203 \$
White floating remote control	RC01	623 \$
Chrome Linear overflow and drain	BDW-114	377 \$
Drain & Overflow PVC / Chromed brass	WOCO14	390 \$
Heated backrest (one)	DCHB1	765 \$

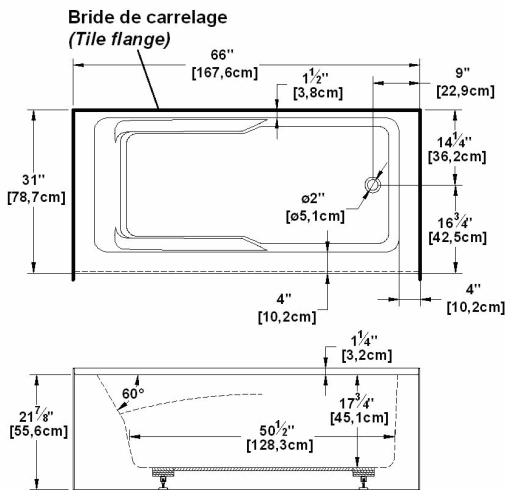
Complete Technical specifications at [www.oceania-attitude.com](http://www.oceania-attitude.com) will prevail at all times

*Integrated acrylic tile flanges. If system, delivered with keypad not installed. Available in white only. Only one grab bar can be factory installed.*

**\*\*See the options chart on pages 75 to 78 of this document for all available colors and finishes.**

## Suite 6631 R-SF

Right hand drain, 1 Skirt (Front)



1 integrated skirt

66" x 31" x 22" [167,6 cm x 78,7 cm x 55,9 cm]  
44 IMP Gal. / 57.40 US Gal. / 200.00 Liters

**Retail price**

Product Code	Model	Price
SU6631RSF	Soaker	4,151 \$
SU6631RSFAM	AeroMassage™	7,677 \$
SU6631RSFSA	Super AeroMassage™	9,306 \$
SU6631RSFLI	Linear cutout	4,151 \$

Standard color : White(01)

Returns accepted on white product only

**Options\*\***

	Code	Add
White acrylic grab bar (each)	G01	227 \$
Chromatherapy lights	MLC	1203 \$
White floating remote control	RC01	623 \$
Chrome Linear overflow and drain	BDW-114	377 \$
Drain & Overflow PVC / Chromed brass	WOCO14	390 \$
Heated backrest (one)	DCHB1	765 \$

Complete Technical specifications at [www.oceania-attitude.com](http://www.oceania-attitude.com) will prevail at all times

*Integrated acrylic tile flanges. If system, delivered with keypad not installed. Available in white only. Only one grab bar can be factory installed.*

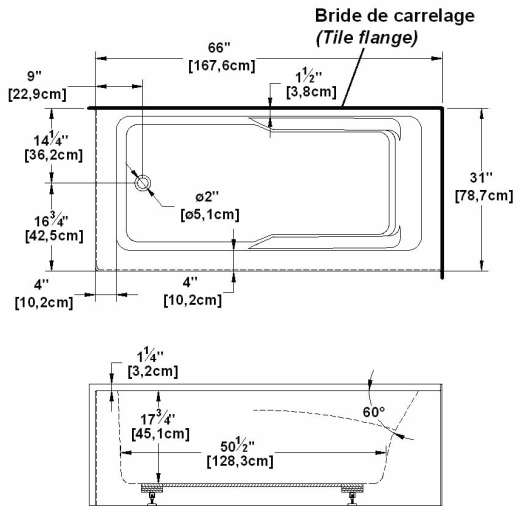
**\*\*See the options chart on pages 75 to 78 of this document for all available colors and finishes.**

## Suite 6631LSFL (left drain)

Authentik Signature Series

2 Skirts (Front and Left)

66" x 31" x 22" [167,6 cm x 78,7 cm x 55,9 cm]  
44 IMP Gal. / 57.40 US Gal. / 200.00 Liters



Retail price

Product Code	Model	Price
<b>SU6631LSFL</b>	Soaker	<b>4,989 \$</b>
<b>SU6631LSFLAM</b>	AeroMassage™	<b>8,359 \$</b>
<b>SU6631LSFLSA</b>	Super AeroMassage™	<b>9,993 \$</b>
<b>SU6631LSFLLI</b>	Linear cutout	<b>4,989 \$</b>

Standard color : White(01)

Returns accepted on white product only

Options\*\*

	Code	Add
Exterior MATTE CUSTOM COLOR	EXTXXM	2490 \$
Exterior MATTE BLACK finish	EXT48M	2490 \$
White acrylic grab bar (each)	G01	227 \$
Chromatherapy lights	MLC	1203 \$
White floating remote control	RC01	623 \$
Installation panel DRAIN side	TI-DR	425 \$
Floor drain for freestanding baths	FBQD	416 \$
Chrome Linear overflow and drain	BDW-114	377 \$
Flexible Drain & Overflow / Chromed brass	WOCOSBS14	620 \$
Heated backrest (one)	DCHB1	765 \$

Complete Technical specifications at [www.oceania-attitude.com](http://www.oceania-attitude.com) will prevail at all times

**WARNING: The installation panel TI-DR is mandatory with the BDW series of drains.**

*Integrated acrylic tile flanges. If system, delivered with keypad not installed and blower must be remote mounted. Available in white only. Only one grab bar can be factory installed. Special Finish not available when ordered with installation panel.*

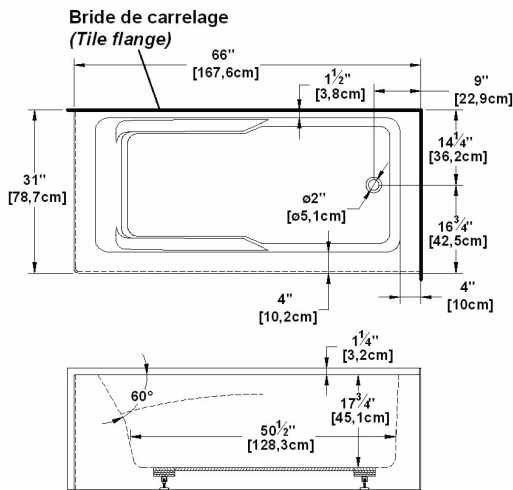
\*\*See the options chart on pages 75 to 78 of this document for all available colors and finishes.

## Suite 6631RSFL (right drain)

Authentik Signature Series

2 Skirts (Front and Left)

66" x 31" x 22" [167,6 cm x 78,7 cm x 55,9 cm]  
44 IMP Gal. / 57.40 US Gal. / 200.00 Liters



Retail price

Product Code	Model	Price
<b>SU6631RSFL</b>	Soaker	<b>4,989 \$</b>
<b>SU6631RSFLAM</b>	AeroMassage™	<b>8,359 \$</b>
<b>SU6631RSFLSA</b>	Super AeroMassage™	<b>9,993 \$</b>
<b>SU6631RSFLLI</b>	Linear cutout	<b>4,989 \$</b>

Standard color : White(01)

Returns accepted on white product only

Options\*\*

	Code	Add
Exterior MATTE CUSTOM COLOR	EXTXXM	2490 \$
Exterior MATTE BLACK finish	EXT48M	2490 \$
White acrylic grab bar (each)	G01	227 \$
Chromatherapy lights	MLC	1203 \$
White floating remote control	RC01	623 \$
Installation panel BACK REST side	TI-DO	425 \$
Chrome Linear overflow and drain	BDW-114	377 \$
Drain & Overflow PVC / Chromed brass	WOCO14	390 \$
Heated backrest (one)	DCHB1	765 \$

Complete Technical specifications at [www.oceania-attitude.com](http://www.oceania-attitude.com) will prevail at all times

*Integrated acrylic tile flanges. If system, delivered with keypad not installed and blower must be remote mounted. Available in white only. Only one grab bar can be factory installed. Special Finish not available when ordered with installation panel.*

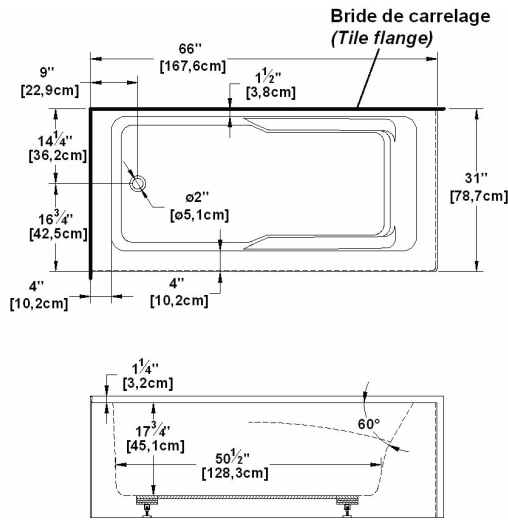
\*\*See the options chart on pages 75 to 78 of this document for all available colors and finishes.

## Suite 6631LSFR (left drain)

2 Skirts (Front and Right)

66" x 31" x 22" [167,6 cm x 78,7 cm x 55,9 cm]  
44 IMP Gal. / 57.40 US Gal. / 200.00 Liters

### Authentik Signature Series



#### Retail price

Product Code	Model	Price
<b>SU6631LSFR</b>	Soaker	<b>4,989 \$</b>
<b>SU6631LSFRAM</b>	AeroMassage™	<b>8,359 \$</b>
<b>SU6631LSFRSA</b>	Super AeroMassage™	<b>9,993 \$</b>
<b>SU6631LSFRLI</b>	Linear cutout	<b>4,989 \$</b>

Standard color : White(01)

Returns accepted on white product only

#### Options\*\*

	Code	Add
Exterior MATTE CUSTOM COLOR	EXTXXM	2490 \$
Exterior MATTE BLACK finish	EXT48M	2490 \$
White acrylic grab bar (each)	G01	227 \$
Chromatherapy lights	MLC	1203 \$
White floating remote control	RC01	623 \$
Installation panel BACK REST side	TI-DO	425 \$
Chrome Linear overflow and drain	BDW-114	377 \$
Drain & Overflow PVC / Chromed brass	WOCO14	390 \$
Heated backrest (one)	DCHB1	765 \$

Complete Technical specifications at [www.oceania-attitude.com](http://www.oceania-attitude.com) will prevail at all times

**Integrated acrylic tile flanges. If system, delivered with keypad not installed and blower must be remote mounted. Available in white only. Only one grab bar can be factory installed. Special Finish not available when ordered with installation panel.**

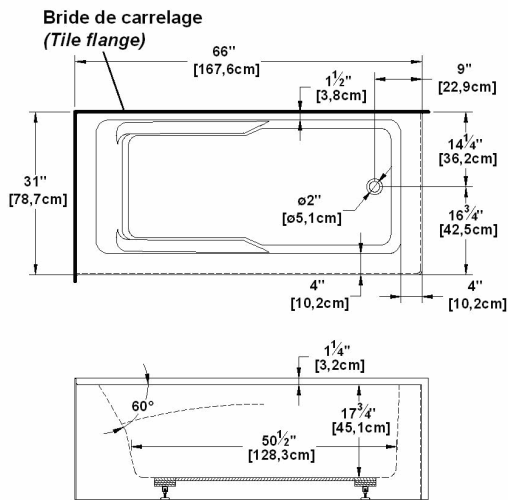
**\*\*See the options chart on pages 75 to 78 of this document for all available colors and finishes.**

## Suite 6631RSFR (right drain)

2 Skirts (Front and Right)

66" x 31" x 22" [167,6 cm x 78,7 cm x 55,9 cm]  
44 IMP Gal. / 57.40 US Gal. / 200.00 Liters

### Authentik Signature Series



#### Retail price

Product Code	Model	Price
<b>SU6631RSFR</b>	Soaker	<b>4,989 \$</b>
<b>SU6631RSFRAM</b>	AeroMassage™	<b>8,359 \$</b>
<b>SU6631RSFRSA</b>	Super AeroMassage™	<b>9,993 \$</b>
<b>SU6631RSFRLI</b>	Linear cutout	<b>4,989 \$</b>

Standard color : White(01)

Returns accepted on white product only

#### Options\*\*

	Code	Add
Exterior MATTE CUSTOM COLOR	EXTXXM	2490 \$
Exterior MATTE BLACK finish	EXT48M	2490 \$
White acrylic grab bar (each)	G01	227 \$
Chromatherapy lights	MLC	1203 \$
White floating remote control	RC01	623 \$
Installation panel DRAIN side	TI-DR	425 \$
Floor drain for freestanding baths	FBQD	416 \$
Chrome Linear overflow and drain	BDW-114	377 \$
Flexible Drain & Overflow / Chromed brass	WOCOSBS14	620 \$
Heated backrest (one)	DCHB1	765 \$

Complete Technical specifications at [www.oceania-attitude.com](http://www.oceania-attitude.com) will prevail at all times

**WARNING: The installation panel TI-DR is mandatory with the BDW series of drains.**

**Integrated acrylic tile flanges. If system, delivered with keypad not installed and blower must be remote mounted. Available in white only. Only one grab bar can be factory installed. Special Finish not available when ordered with installation panel.**

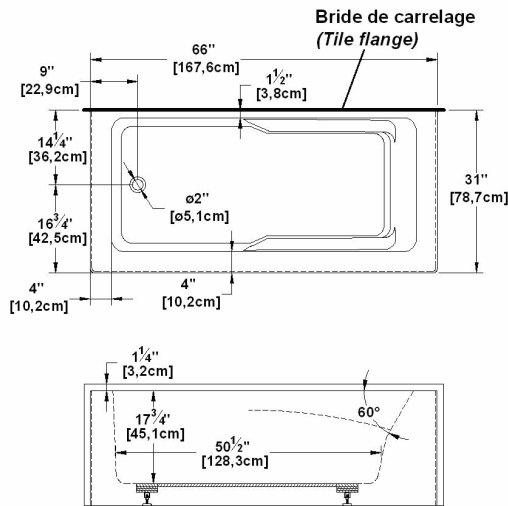
**\*\*See the options chart on pages 75 to 78 of this document for all available colors and finishes.**

## Suite 6631LSFLR (left drain)

3 Skirts (Front, Left and Right)

66" x 31" x 22" [167,6 cm x 78,7 cm x 55,9 cm]  
44 IMP Gal. / 57,40 US Gal. / 200,00 Liters

### Authentik Signature Series



#### Retail price

Product Code	Model	Price
<b>SU6631LSFLR</b>	Soaker	<b>5,383 \$</b>
<b>SU6631LSFLRAM</b>	AeroMassage™	<b>8,785 \$</b>
<b>SU6631LSFLRSA</b>	Super AeroMassage™	<b>10,683 \$</b>
<b>SU6631LSFLRLI</b>	Linear cutout	<b>5,383 \$</b>

Standard color : White(01)

Returns accepted on white product only

#### Options\*\*

	Code	Add
Exterior MATTE CUSTOM COLOR	EXTXXM	2490 \$
White acrylic grab bar (each)	G01	227 \$
Chromatherapy lights	MLC	1203 \$
White floating remote control	RC01	623 \$
Installation panel BACK REST side	TI-DO	425 \$
Installation panel DRAIN side	TI-DR	425 \$
Floor drain for freestanding baths	FBQD	416 \$
Chrome Linear overflow and drain	BDW-114	377 \$
Flexible Drain & Overflow / Chromed brass	WOCOSBS14	620 \$
Heated backrest (one)	DCHB1	765 \$

Complete Technical specifications at [www.oceania-attitude.com](http://www.oceania-attitude.com) will prevail at all times

**WARNING: The installation panel TI-DR is mandatory with the BDW series of drains.**

*Integrated acrylic tile flanges. If system, delivered with keypad not installed and blower must be remote mounted. Available in white only. Only one grab bar can be factory installed. Special Finish not available when ordered with installation panel.*

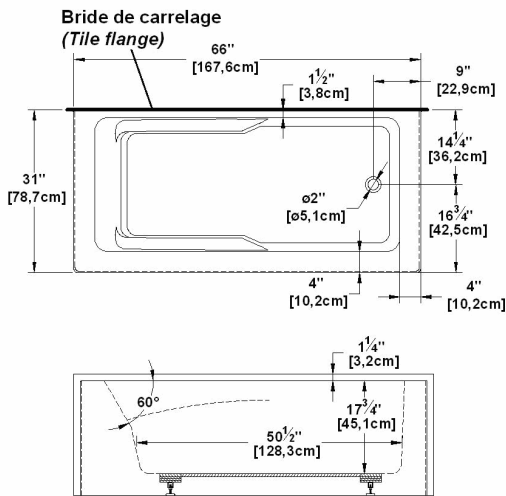
\*\*See the options chart on pages 75 to 78 of this document for all available colors and finishes.

## Suite 6631RSFLR (right drain)

3 Skirts (Front, Left and Right)

66" x 31" x 22" [167,6 cm x 78,7 cm x 55,9 cm]  
44 IMP Gal. / 57,40 US Gal. / 200,00 Liters

### Authentik Signature Series



#### Retail price

Product Code	Model	Price
<b>SU6631RSFLR</b>	Soaker	<b>5,383 \$</b>
<b>SU6631RSFLRAM</b>	AeroMassage™	<b>8,785 \$</b>
<b>SU6631RSFLRSA</b>	Super AeroMassage™	<b>10,683 \$</b>
<b>SU6631RSFLRLI</b>	Linear cutout	<b>5,383 \$</b>

Standard color : White(01)

Returns accepted on white product only

#### Options\*\*

	Code	Add
Exterior MATTE CUSTOM COLOR	EXTXXM	2490 \$
White acrylic grab bar (each)	G01	227 \$
Chromatherapy lights	MLC	1203 \$
White floating remote control	RC01	623 \$
Installation panel BACK REST side	TI-DO	425 \$
Installation panel DRAIN side	TI-DR	425 \$
Floor drain for freestanding baths	FBQD	416 \$
Chrome Linear overflow and drain	BDW-114	377 \$
Flexible Drain & Overflow / Chromed brass	WOCOSBS14	620 \$
Heated backrest (one)	DCHB1	765 \$

Complete Technical specifications at [www.oceania-attitude.com](http://www.oceania-attitude.com) will prevail at all times

**WARNING: The installation panel TI-DR is mandatory with the BDW series of drains.**

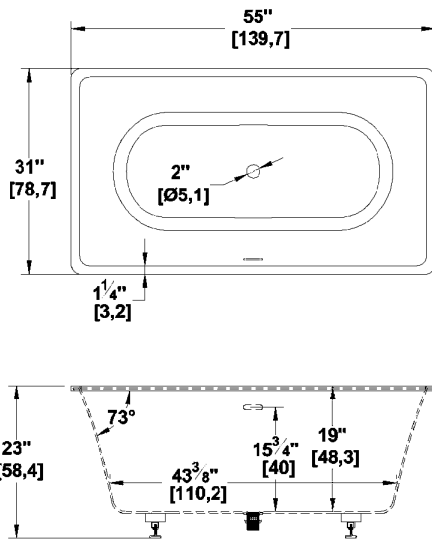
*Integrated acrylic tile flanges. If system, delivered with keypad not installed and blower must be remote mounted. Available in white only. Only one grab bar can be factory installed. Special Finish not available when ordered with installation panel.*

\*\*See the options chart on pages 75 to 78 of this document for all available colors and finishes.

## Tahoe 55 Podium

Authentik Signature Series

55" x 31" x 23" [167,0 cm x 91,4 cm x 63,5 cm]  
47 IMP Gal. / 61.30 US Gal. / 213.66 Liters



Complete Technical specifications at [www.oceania-attitude.com](http://www.oceania-attitude.com) will prevail at all times

**WARNING: Faucets must be installed on the wall, deck or floor (not on bath).**

*The overflow is factory installed, white drain included but not installed. If system, delivered with keypad not installed and remote control is included.*

**\*\*See the options chart on pages 75 to 78 of this document for all available colors and finishes.**

### Retail price

Product Code	Model	Price
<b>TAP55</b>	Soaker	<b>1,885 \$</b>
<b>TAP55AM</b>	AeroMassage™	<b>5,633 \$</b>
<b>Not available</b>	Super AeroMassage™	<b>N/A</b>
<b>Not available</b>	Linear cutout	<b>N/A</b>

Standard color : White(01)

Returns accepted on white product only

### Options\*\*

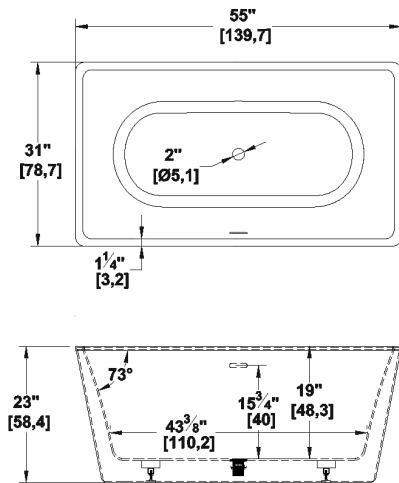
	Code	Add
Acrylic Biscuit Color	INT02	1609 \$
Acrylic Black Color	INT48	1609 \$
Tile flange for baths, see page 60	TF	240 \$
Drain cover - White	INF101	INCL
Drain cover - Chrome	INF114	194 \$
Drain cover - Matte Black	INF148M	194 \$
Chromatherapy lights	MLC	1203 \$
Heated backrest (one)	DCHB1	765 \$
Heated backrest (two)	DCHB2	1049 \$

## Tahoe 55 Freestanding

Authentik Signature Series

### One-piece freestanding bath

55" x 31" x 23" [139,7 cm x 78,7 cm x 58,4 cm]  
47 IMP Gal. / 61.30 US Gal. / 213.66 Liters



Complete Technical specifications at [www.oceania-attitude.com](http://www.oceania-attitude.com) will prevail at all times

**WARNING: The interior is available in white only.**

*Default exterior finish : white acrylic. The overflow is factory installed, white drain included but not installed. When ordered with AeroMassage, blower must be remote mounted. If system, delivered with keypad not installed and remote control is included.*

**\*\*See the options chart on pages 75 to 78 of this document for all available colors and finishes.**

### Retail price

Product Code	Model	Price
<b>TA55</b>	Soaker	<b>4,496 \$</b>
<b>TA55AM</b>	AeroMassage™	<b>8,262 \$</b>
<b>Not available</b>	Super AeroMassage™	<b>N/A</b>
<b>Not available</b>	Linear cutout	<b>N/A</b>

Standard color : White(01)

Returns accepted on white product only

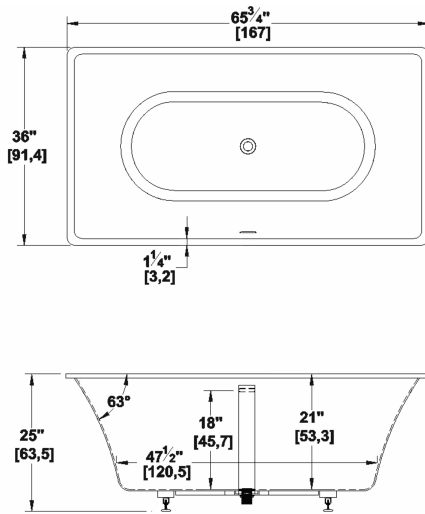
### Options\*\*

	Code	Add
Exterior MATTE BLACK finish	EXT48M	2490 \$
Exterior MATTE WHITE acrylic	EXT01M	1486 \$
Glossy black acrylic exterior	EXT48	1609 \$
Exterior MATTE CUSTOM COLOR	EXTXXM	2490 \$
Interior/Exterior MATTE WHITE acrylic	INT-EXT01M	1812 \$
Drain cover - White	INF101	INCL
Drain cover - Chrome	INF114	194 \$
Drain cover - Matte Black	INF148M	194 \$
Chromatherapy lights	MLC	1203 \$
Floor drain for freestanding baths	FBQD	416 \$
Heated backrest (one)	DCHB1	765 \$
Heated backrest (two)	DCHB2	1049 \$

## Tahoe 66 Podium

Authentik Signature Series

65,75" x 36" x 25" [167,0 cm x 91,4 cm x 63,5 cm]  
72 IMP Gal. / 93.91 US Gal. / 327.31 Liters



Complete Technical specifications at [www.oceania-attitude.com](http://www.oceania-attitude.com) will prevail at all times

### Retail price

Product Code	Model	Price
<b>TAP66</b>	Soaker	<b>2,681 \$</b>
<b>TAP66AM</b>	AeroMassage™	<b>7,117 \$</b>
<b>Not available</b>	Super AeroMassage™	<b>N/A</b>
<b>Not available</b>	Linear cutout	<b>N/A</b>

Standard color : White(01)

Returns accepted on white product only

### Options\*\*

	Code	Add
Acrylic Biscuit Color	INT02	1609 \$
Acrylic Black Color	INT48	1609 \$
Tile flange for baths, see page 60	TF	240 \$
Drain cover - White	INF101	INCL
Drain cover - Chrome	INF114	194 \$
Drain cover - Matte Black	INF148M	194 \$
Chromatherapy lights	MLC	1203 \$
Heated backrest (one)	DCHB1	765 \$
Heated backrest (two)	DCHB2	1049 \$

**WARNING: Faucets must be installed on the wall, deck or floor (not on bath).**

*The overflow is factory installed, the white drain is included but not installed. If system, delivered with keypad not installed and remote control is included.*

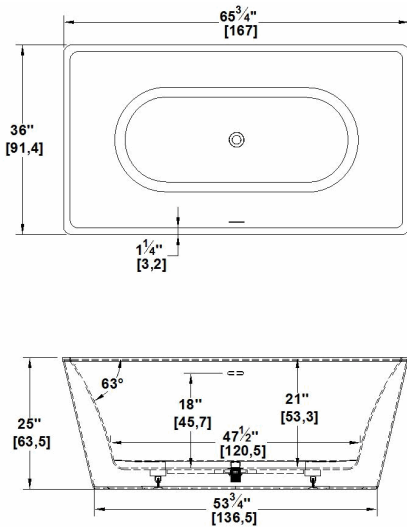
**\*\*See the options chart on pages 75 to 78 of this document for all available colors and finishes.**

## Tahoe 66 Freestanding

Authentik Signature Series

### One-piece freestanding bath

65,75" x 36" x 25" [167,0 cm x 91,4 cm x 63,5 cm]  
72 IMP Gal. / 93.91 US Gal. / 327.31 Liters



Complete Technical specifications at [www.oceania-attitude.com](http://www.oceania-attitude.com) will prevail at all times

### Retail price

Product Code	Model	Price
<b>TA66</b>	Soaker	<b>4,940 \$</b>
<b>TA66AM</b>	AeroMassage™	<b>8,814 \$</b>
<b>Not available</b>	Super AeroMassage™	<b>N/A</b>
<b>Not available</b>	Linear cutout	<b>N/A</b>

Standard color : White(01)

Returns accepted on white product only

### Options\*\*

	Code	Add
Exterior MATTE BLACK finish	EXT48M	2490 \$
Exterior MATTE WHITE acrylic	EXT01M	1486 \$
Glossy black acrylic exterior	EXT48	1609 \$
Exterior MATTE CUSTOM COLOR	EXTXXM	2490 \$
Interior/Exterior MATTE WHITE acrylic	INT-EXT01M	1812 \$
Drain cover - White	INF101	INCL
Drain cover - Chrome	INF114	194 \$
Drain cover - Matte Black	INF148M	194 \$
Chromatherapy lights	MLC	1203 \$
Floor drain for freestanding baths	FBQD	416 \$
Heated backrest (one)	DCHB1	765 \$
Heated backrest (two)	DCHB2	1049 \$

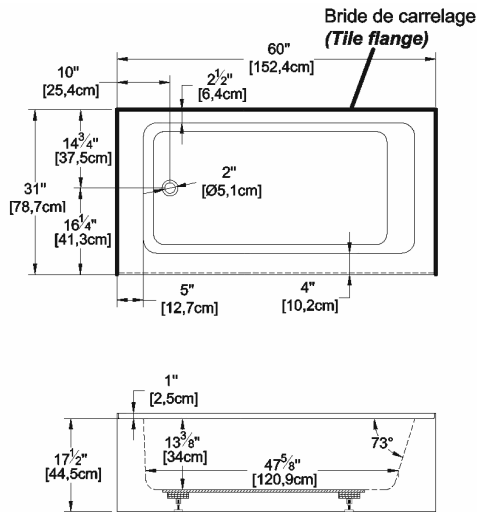
**WARNING: The interior is available in white only.**

*Default exterior finish : white acrylic. The overflow is factory installed, white drain included but not installed. When ordered with AeroMassage, blower must be remote mounted. If system, delivered with keypad not installed and remote control is included.*

**\*\*See the options chart on pages 75 to 78 of this document for all available colors and finishes.**

## Urbania 6031 L-SF

Left hand drain, 1 Skirt (Front)



Complete Technical specifications at [www.oceania-attitude.com](http://www.oceania-attitude.com) will prevail at all times

1 integrated skirt

60" x 31" x 17,5" [152,4 cm x 78,7 cm x 44,5 cm]  
28.5 IMP Gal. / 36.52 US Gal. / 127.29 Liters

**Retail price**

Product Code	Model	Price
<b>UR6031LSF</b>	Soaker	<b>2,490 \$</b>
<b>Not available</b>	AeroMassage™	<b>N/A</b>
<b>Not available</b>	Super AeroMassage™	<b>N/A</b>
<b>UR6031LSFLI</b>	Linear cutout	<b>2,490 \$</b>

Standard color : White(01)

Returns accepted on white product only

**Options\*\***

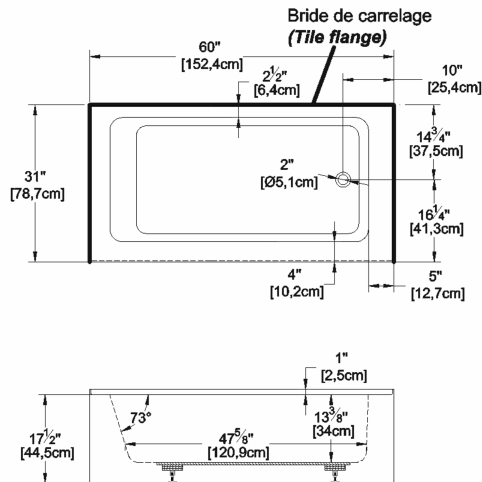
	Code	Add
White acrylic grab bar (each)	G01	227 \$
Chromatherapy lights	MLC	1203 \$
Chrome Linear overflow and drain	BDW-114	377 \$
Drain & Overflow PVC / Chromed brass	WOCO14	390 \$
Heated backrest (one)	DCHB1	765 \$

*Integrated acrylic tile flanges. Available in white only. Only one grab bar can be factory installed.*

*\*\*See the options chart on pages 75 to 78 of this document for all available colors and finishes.*

## Urbania 6031 R-SF

Right hand drain, 1 Skirt (Front)



Complete Technical specifications at [www.oceania-attitude.com](http://www.oceania-attitude.com) will prevail at all times

1 integrated skirt

60" x 31" x 17,5" [152,4 cm x 78,7 cm x 44,5 cm]  
28.5 IMP Gal. / 36.52 US Gal. / 127.29 Liters

**Retail price**

Product Code	Model	Price
<b>UR6031RSF</b>	Soaker	<b>2,490 \$</b>
<b>Not available</b>	AeroMassage™	<b>N/A</b>
<b>Not available</b>	Super AeroMassage™	<b>N/A</b>
<b>UR6031RSFLI</b>	Linear cutout	<b>2,490 \$</b>

Standard color : White(01)

Returns accepted on white product only

**Options\*\***

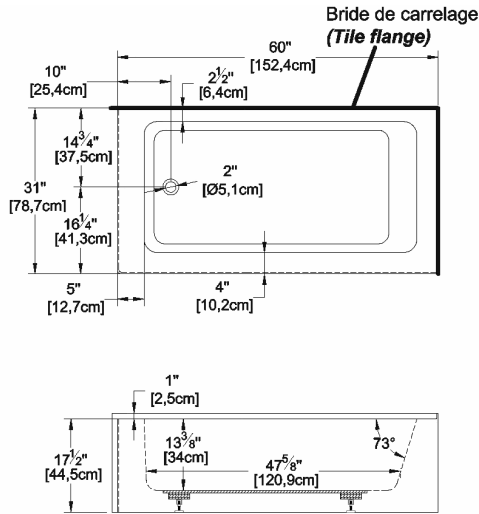
	Code	Add
White acrylic grab bar (each)	G01	227 \$
Chromatherapy lights	MLC	1203 \$
Chrome Linear overflow and drain	BDW-114	377 \$
Drain & Overflow PVC / Chromed brass	WOCO14	390 \$
Heated backrest (one)	DCHB1	765 \$

*Integrated acrylic tile flanges. Available in white only. Only one grab bar can be factory installed.*

*\*\*See the options chart on pages 75 to 78 of this document for all available colors and finishes.*

## Urbania 6031 L-SFL

### Left hand drain, 2 Skirts (Front and Left)



## 2 integrated skirts

60" x 31" x 17,5" [152,4 cm x 78,7 cm x 44,5 cm]  
28.5 IMP Gal. / 36.52 US Gal. / 127.29 Liters

### Retail price

Product Code	Model	Price
<b>UR6031LSFL</b>	Soaker	<b>3,614 \$</b>
<b>Not available</b>	AeroMassage™	<b>N/A</b>
<b>Not available</b>	Super AeroMassage™	<b>N/A</b>
<b>UR6031LSFLLI</b>	Linear cutout	<b>3,614 \$</b>

Standard color : White(01)

Returns accepted on white product only

### Options\*\*

	Code	Add
White acrylic grab bar (each)	G01	227 \$
Chromatherapy lights	MLC	1203 \$
Installation panel DRAIN side - for Urbania	TI-UR-DR	425 \$
Floor drain for freestanding baths	FBQD	416 \$
Chrome Linear overflow and drain	BDW-114	377 \$
Flexible Drain & Overflow / Chromed brass	WOCOSBS14	620 \$
Heated backrest (one)	DCHB1	765 \$

Complete Technical specifications at [www.oceania-attitude.com](http://www.oceania-attitude.com) will prevail at all times

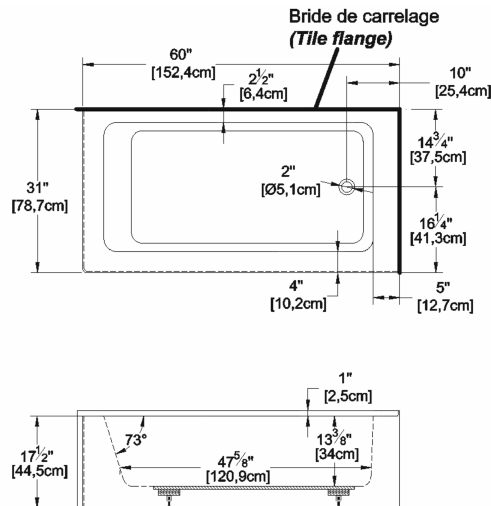
**WARNING: The installation panel TI-UR-DR is mandatory with the BDW series of drains.**

*Integrated acrylic tile flanges. Available in white only. Only one grab bar can be factory installed.*

**\*\*See the options chart on pages 75 to 78 of this document for all available colors and finishes.**

## Urbania 6031 R-SFL

### Right hand drain, 2 Skirts (Front and Left)



## 2 integrated skirts

60" x 31" x 17,5" [152,4 cm x 78,7 cm x 44,5 cm]  
28.5 IMP Gal. / 36.52 US Gal. / 127.29 Liters

### Retail price

Product Code	Model	Price
<b>UR6031RSFL</b>	Soaker	<b>3,614 \$</b>
<b>Not available</b>	AeroMassage™	<b>N/A</b>
<b>Not available</b>	Super AeroMassage™	<b>N/A</b>
<b>UR6031RSFLLI</b>	Linear cutout	<b>3,614 \$</b>

Standard color : White(01)

Returns accepted on white product only

### Options\*\*

	Code	Add
White acrylic grab bar (each)	G01	227 \$
Chromatherapy lights	MLC	1203 \$
Floor drain for freestanding baths	FBQD	416 \$
Chrome Linear overflow and drain	BDW-114	377 \$
Drain & Overflow PVC / Chromed brass	WOCO14	390 \$
Heated backrest (one)	DCHB1	765 \$

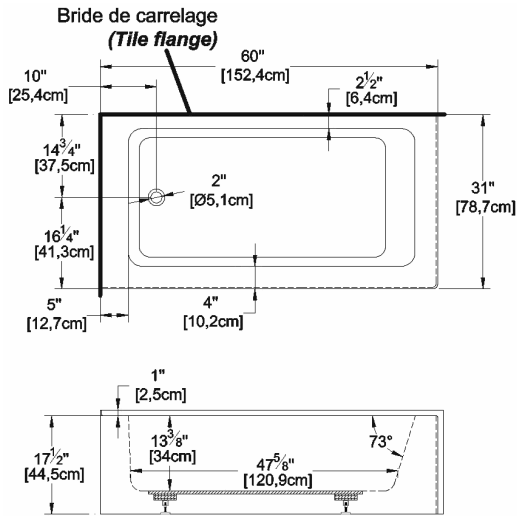
Complete Technical specifications at [www.oceania-attitude.com](http://www.oceania-attitude.com) will prevail at all times

*Integrated acrylic tile flanges. Available in white only. Only one grab bar can be factory installed.*

**\*\*See the options chart on pages 75 to 78 of this document for all available colors and finishes.**

## Urbania 6031 L-SFR

### Left hand drain, 2 Skirts (Front and Right)



Complete Technical specifications at [www.oceania-attitude.com](http://www.oceania-attitude.com) will prevail at all times

## 2 integrated skirts

60" x 31" x 17,5" [152,4 cm x 78,7 cm x 44,5 cm]  
28.5 IMP Gal. / 36.52 US Gal. / 127.29 Liters

#### Retail price

Product Code	Model	Price
<b>UR6031LSFR</b>	Soaker	<b>3,614 \$</b>
<b>Not available</b>	AeroMassage™	<b>N/A</b>
<b>Not available</b>	Super AeroMassage™	<b>N/A</b>
<b>UR6031LSFRLI</b>	Linear cutout	<b>3,614 \$</b>

Standard color : White(01)

Returns accepted on white product only

#### Options\*\*

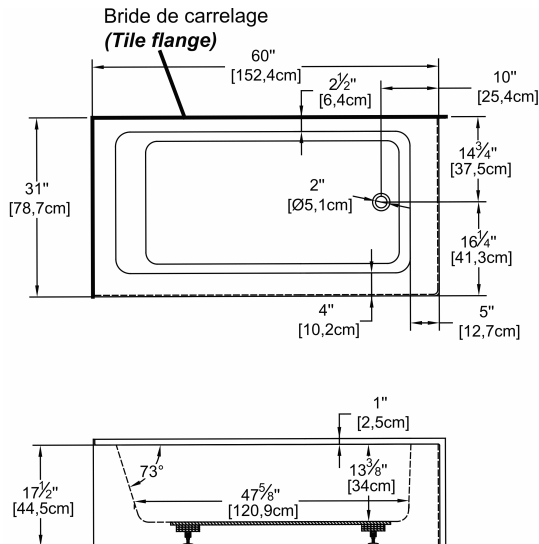
	Code	Add
White acrylic grab bar (each)	G01	227 \$
Chromatherapy lights	MLC	1203 \$
Floor drain for freestanding baths	FBQD	416 \$
Chrome Linear overflow and drain	BDW-114	377 \$
Drain & Overflow PVC / Chromed brass	WOCO14	390 \$
Heated backrest (one)	DCHB1	765 \$

*Integrated acrylic tile flanges. Available in white only. Only one grab bar can be factory installed.*

*\*\*See the options chart on pages 75 to 78 of this document for all available colors and finishes.*

## Urbania 6031 R-SFR

### Right hand drain, 2 Skirts (Front and Right)



Complete Technical specifications at [www.oceania-attitude.com](http://www.oceania-attitude.com) will prevail at all times

## 2 integrated skirts

60" x 31" x 17,5" [152,4 cm x 78,7 cm x 44,5 cm]  
28.5 IMP Gal. / 36.52 US Gal. / 127.29 Liters

#### Retail price

Product Code	Model	Price
<b>UR6031RSFR</b>	Soaker	<b>3,614 \$</b>
<b>Not available</b>	AeroMassage™	<b>N/A</b>
<b>Not available</b>	Super AeroMassage™	<b>N/A</b>
<b>UR6031RSFRLI</b>	Linear cutout	<b>3,614 \$</b>

Standard color : White(01)

Returns accepted on white product only

#### Options\*\*

	Code	Add
White acrylic grab bar (each)	G01	227 \$
Chromatherapy lights	MLC	1203 \$
Installation panel DRAIN side - for Urbania	TI-UR-DR	425 \$
Floor drain for freestanding baths	FBQD	416 \$
Chrome Linear overflow and drain	BDW-114	377 \$
Flexible Drain & Overflow / Chromed brass	WOCOSBS14	620 \$
Heated backrest (one)	DCHB1	765 \$

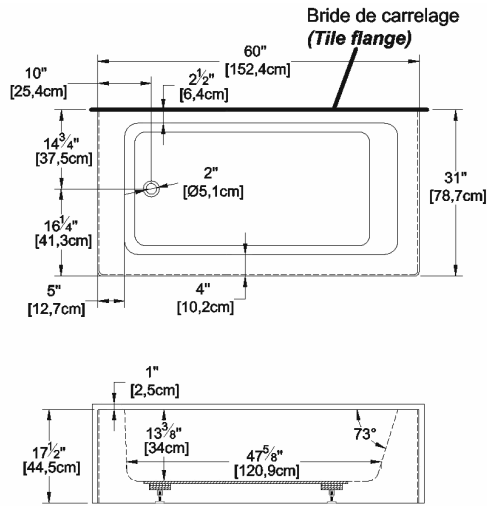
**WARNING: The installation panel TI-UR-DR is mandatory with the BDW series of drains.**

*Integrated acrylic tile flanges. Available in white only. Only one grab bar can be factory installed.*

*\*\*See the options chart on pages 75 to 78 of this document for all available colors and finishes.*

## Urbania 6031 L-SFLR

Left hand drain, 3 Skirts (Front, Left & Right)



Complete Technical specifications at [www.oceania-attitude.com](http://www.oceania-attitude.com) will prevail at all times

**WARNING: The installation panel TI-UR-DR is mandatory with the BDW series of drains.**

*Integrated acrylic tile flanges. Available in white only. Only one grab bar can be factory installed.*

**\*\*See the options chart on pages 75 to 78 of this document for all available colors and finishes.**

3 integrated skirts

60" x 31" x 17.5" [152,4 cm x 78,7 cm x 44,5 cm]  
28.5 IMP Gal. / 36.52 US Gal. / 127.29 Liters

Retail price

Product Code	Model	Price
<b>UR6031LSFLR</b>	Soaker	<b>4,234 \$</b>
<b>Not available</b>	AeroMassage™	<b>N/A</b>
<b>Not available</b>	Super AeroMassage™	<b>N/A</b>
<b>UR6031LSFLRLI</b>	Linear cutout	<b>4,234 \$</b>

Standard color : White(01)

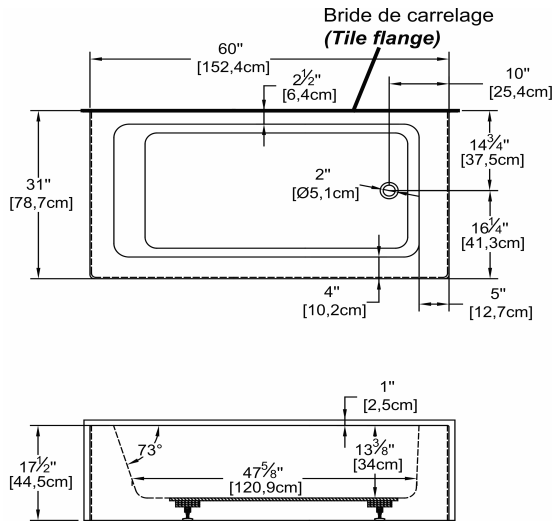
Returns accepted on white product only

Options\*\*

	Code	Add
White acrylic grab bar (each)	G01	227 \$
Chromatherapy lights	MLC	1203 \$
Installation panel DRAIN side - for Urbania	TI-UR-DR	425 \$
Floor drain for freestanding baths	FBQD	416 \$
Chrome Linear overflow and drain	BDW-114	377 \$
Flexible Drain & Overflow / Chromed brass	WOCOSBS14	620 \$
Heated backrest (one)	DCHB1	765 \$

## Urbania 6031 R-SFLR

Right hand drain, 3 Skirts (Front, Left & Right)



Complete Technical specifications at [www.oceania-attitude.com](http://www.oceania-attitude.com) will prevail at all times

**WARNING: The installation panel TI-UR-DR is mandatory with the BDW series of drains.**

*Integrated acrylic tile flanges. Available in white only. Only one grab bar can be factory installed.*

**\*\*See the options chart on pages 75 to 78 of this document for all available colors and finishes.**

3 integrated skirts

60" x 31" x 17.5" [152,4 cm x 78,7 cm x 44,5 cm]  
28.5 IMP Gal. / 36.52 US Gal. / 127.29 Liters

Retail price

Product Code	Model	Price
<b>UR6031RSFLR</b>	Soaker	<b>4,234 \$</b>
<b>Not available</b>	AeroMassage™	<b>N/A</b>
<b>Not available</b>	Super AeroMassage™	<b>N/A</b>
<b>UR6031RSFLRLI</b>	Linear cutout	<b>4,234 \$</b>

Standard color : White(01)

Returns accepted on white product only

Options\*\*

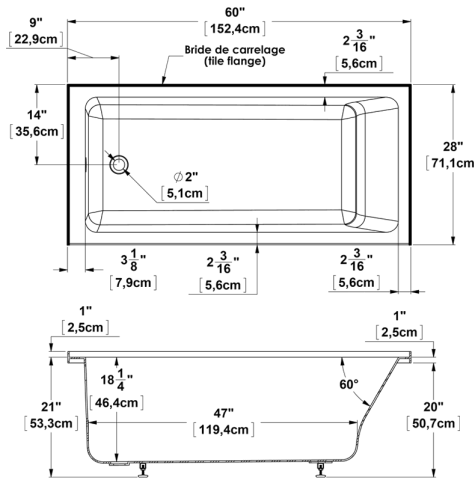
	Code	Add
White acrylic grab bar (each)	G01	227 \$
Chromatherapy lights	MLC	1203 \$
Installation panel DRAIN side - for Urbania	TI-UR-DR	425 \$
Floor drain for freestanding baths	FBQD	416 \$
Chrome Linear overflow and drain	BDW-114	377 \$
Flexible Drain & Overflow / Chromed brass	WOCOSBS14	620 \$
Heated backrest (one)	DCHB1	765 \$

## Viele 6028 (left hand drain)

Integrated tile flanges on 3 sides

60" x 28" x 21" [152,4 cm x 71,1 cm x 53,3 cm]  
58 IMP Gal. / 75.65 US Gal. / 263.67 Liters

Linear overflow and white drain included



Retail price

Product Code	Model	Price
<b>VI6028L</b>	Soaker	<b>1,885 \$</b>
<b>VI6028LAM</b>	AeroMassage™	<b>5,633 \$</b>
<b>Not available</b>	Super AeroMassage™	<b>N/A</b>
<b>Not available</b>	Linear cutout	<b>N/A</b>

Standard color : White(01)

Returns accepted on white product only

Options\*\*

	Code	Add
White acrylic grab bar (each)	G01	227 \$
Acrylic Biscuit Color	INT02	1609 \$
Acrylic Black Color	INT48	1609 \$
Removable White Skirt Panel for 60" baths	JA60	1225 \$
Chromatherapy lights	MLC	1203 \$
Drain cover - White	INF101	INCL
Drain cover - Chrome	INF114	194 \$
Drain cover - Matte Black	INF148M	194 \$
Heated backrest (one)	DCHB1	765 \$

Complete Technical specifications at [www.oceania-attitude.com](http://www.oceania-attitude.com) will prevail at all times

**WARNING: Faucets must be installed on the wall, deck or floor (not on bath).**

*Integrated acrylic tile flanges. The overflow is factory installed, the white drain is included but not installed. If system, delivered with keypad not installed and remote control is included.*

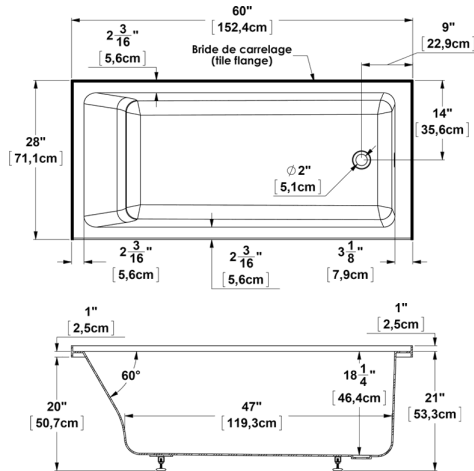
\*\*See the options chart on pages 75 to 78 of this document for all available colors and finishes.

## Viele 6028 (right hand drain)

Integrated tile flanges on 3 sides

60" x 28" x 21" [152,4 cm x 71,1 cm x 53,3 cm]  
58 IMP Gal. / 75.65 US Gal. / 263.67 Liters

Linear overflow and white drain included



Retail price

Product Code	Model	Price
<b>VI6028R</b>	Soaker	<b>1,885 \$</b>
<b>VI6028RAM</b>	AeroMassage™	<b>5,633 \$</b>
<b>Not available</b>	Super AeroMassage™	<b>N/A</b>
<b>Not available</b>	Linear cutout	<b>N/A</b>

Standard color : White(01)

Returns accepted on white product only

Options\*\*

	Code	Add
White acrylic grab bar (each)	G01	227 \$
Acrylic Biscuit Color	INT02	1609 \$
Acrylic Black Color	INT48	1609 \$
Removable White Skirt Panel for 60" baths	JA60	1225 \$
Chromatherapy lights	MLC	1203 \$
Drain cover - White	INF101	INCL
Drain cover - Chrome	INF114	194 \$
Drain cover - Matte Black	INF148M	194 \$
Heated backrest (one)	DCHB1	765 \$

Complete Technical specifications at [www.oceania-attitude.com](http://www.oceania-attitude.com) will prevail at all times

**WARNING: Faucets must be installed on the wall, deck or floor (not on bath).**

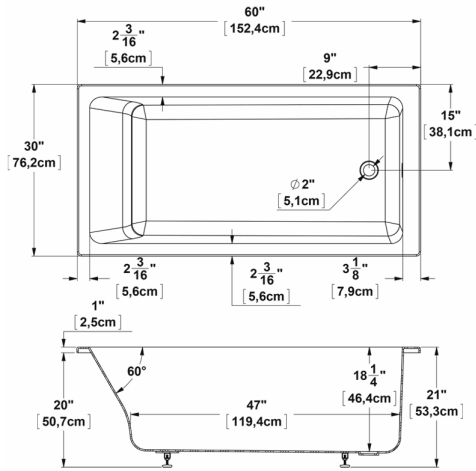
*Integrated acrylic tile flanges. The overflow is factory installed, the white drain is included but not installed. If system, delivered with keypad not installed and remote control is included.*

\*\*See the options chart on pages 75 to 78 of this document for all available colors and finishes.

## Viele 6030

60" x 30" x 21" [152,4 cm x 76,2 cm x 53,3 cm]  
63 IMP Gal. / 82.10 US Gal. / 286.40 Liters

Linear overflow and white drain included



Retail price

Product Code	Model	Price
<b>VI6030</b>	Soaker	<b>1,885 \$</b>
<b>VI6030AM</b>	AeroMassage™	<b>5,633 \$</b>
<b>VI6030SA</b>	Super AeroMassage™	<b>6,658 \$</b>
<b>Not available</b>	Linear cutout	<b>N/A</b>

Standard color : White(01)

Returns accepted on white product only

Options\*\*

	Code	Add
White acrylic grab bar (each)	G01	227 \$
Acrylic Biscuit Color	INT02	1609 \$
Acrylic Black Color	INT48	1609 \$
Removable White Skirt Panel for 60" baths	JA60	1225 \$
Chromatherapy lights	MLC	1203 \$
Tile flange for baths, see page 60	TF	240 \$
Drain cover - White	INF101	INCL
Drain cover - Chrome	INF114	194 \$
Drain cover - Matte Black	INF148M	194 \$
Heated backrest (one)	DCHB1	765 \$

Complete Technical specifications at [www.oceania-attitude.com](http://www.oceania-attitude.com) will prevail at all times

**WARNING: Faucets must be installed on the wall, deck or floor (not on bath).**

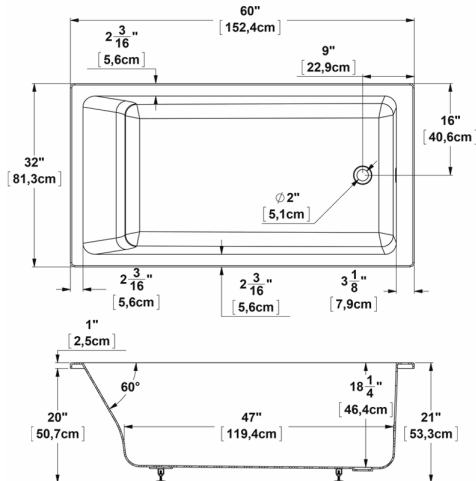
*The overflow is factory installed, the white drain is included but not installed. If system, delivered with keypad not installed and remote control is included.*

\*\*See the options chart on pages 75 to 78 of this document for all available colors and finishes.

## Viele 6032

60" x 32" x 21" [152,4 cm x 81,3 cm x 53,3 cm]  
69 IMP Gal. / 89.90 US Gal. / 313.60 Liters

Linear overflow and white drain included



Retail price

Product Code	Model	Price
<b>VI6032</b>	Soaker	<b>1,885 \$</b>
<b>VI6032AM</b>	AeroMassage™	<b>5,633 \$</b>
<b>VI6032SA</b>	Super AeroMassage™	<b>6,658 \$</b>
<b>Not available</b>	Linear cutout	<b>N/A</b>

Standard color : White(01)

Returns accepted on white product only

Options\*\*

	Code	Add
White acrylic grab bar (each)	G01	227 \$
Acrylic Biscuit Color	INT02	1609 \$
Acrylic Black Color	INT48	1609 \$
Removable White Skirt Panel for 60" baths	JA60	1225 \$
Chromatherapy lights	MLC	1203 \$
Tile flange for baths, see page 60	TF	240 \$
Drain cover - White	INF101	INCL
Drain cover - Chrome	INF114	194 \$
Drain cover - Matte Black	INF148M	194 \$
Heated backrest (one)	DCHB1	765 \$

Complete Technical specifications at [www.oceania-attitude.com](http://www.oceania-attitude.com) will prevail at all times

**WARNING: Faucets must be installed on the wall, deck or floor (not on bath).**

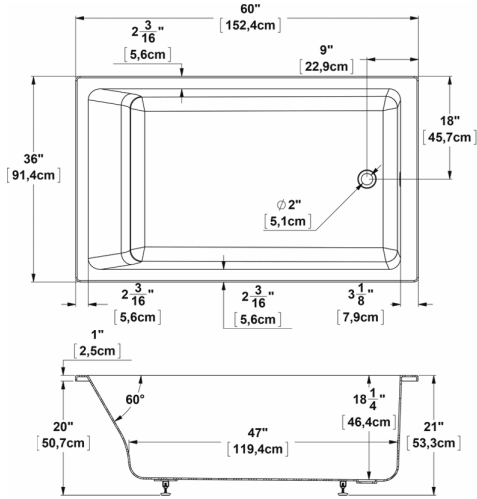
*The overflow is factory installed, the white drain is included but not installed. If system, delivered with keypad not installed and remote control is included.*

\*\*See the options chart on pages 75 to 78 of this document for all available colors and finishes.

## Viele 6036

60" x 36" x 21" [152,4 cm x 9,4 cm x 53,3 cm]  
80 IMP Gal. / 104.30 US Gal. / 363.60 Liters

### Linear overflow and white drain included



### Retail price

Product Code	Model	Price
<b>VI6036</b>	Soaker	<b>1,885 \$</b>
<b>VI6036AM</b>	AeroMassage™	<b>5,633 \$</b>
<b>VI6036SA</b>	Super AeroMassage™	<b>6,658 \$</b>
<b>Not available</b>	Linear cutout	<b>N/A</b>

Standard color : White(01)

Returns accepted on white product only

### Options\*\*

	Code	Add
White acrylic grab bar (each)	G01	227 \$
Acrylic Biscuit Color	INT02	1609 \$
Acrylic Black Color	INT48	1609 \$
Removable White Skirt Panel for 60" baths	JA60	1225 \$
Chromatherapy lights	MLC	1203 \$
Tile flange for baths, see page 60	TF	240 \$
Drain cover - White	INF101	INCL
Drain cover - Chrome	INF114	194 \$
Drain cover - Matte Black	INF148M	194 \$
Heated backrest (one)	DCHB1	765 \$

Complete Technical specifications at [www.oceania-attitude.com](http://www.oceania-attitude.com) will prevail at all times

**WARNING: Faucets must be installed on the wall, deck or floor (not on bath).**

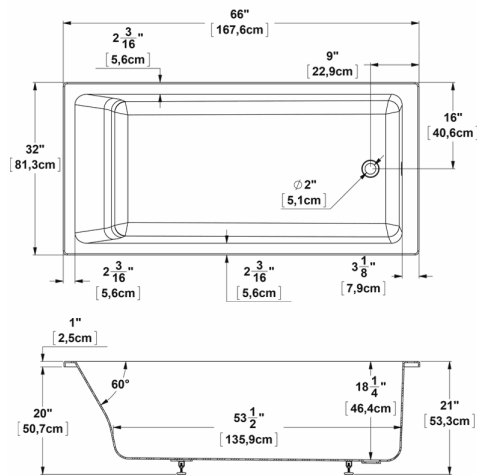
*The overflow is factory installed, the white drain is included but not installed. If system, delivered with keypad not installed and remote control is included.*

**\*\*See the options chart on pages 75 to 78 of this document for all available colors and finishes.**

## Viele 6632

66" x 32" x 21" [167,6cm x 81,3 cm x 53,3 cm]  
78 IMP Gal. / 101.70 US Gal. / 354.50 Liters

### Linear overflow and white drain included



### Retail price

Product Code	Model	Price
<b>VI6632</b>	Soaker	<b>2,277 \$</b>
<b>VI6632AM</b>	AeroMassage™	<b>6,015 \$</b>
<b>VI6632SA</b>	Super AeroMassage™	<b>7,040 \$</b>
<b>Not available</b>	Linear cutout	<b>N/A</b>

Standard color : White(01)

Returns accepted on white product only

### Options\*\*

	Code	Add
White acrylic grab bar (each)	G01	227 \$
Acrylic Biscuit Color	INT02	1609 \$
Acrylic Black Color	INT48	1609 \$
Removable White Skirt Panel for 66" baths	JA66	1284 \$
Chromatherapy lights	MLC	1203 \$
Tile flange for baths, see page 60	TF	240 \$
Drain cover - White	INF101	INCL
Drain cover - Chrome	INF114	194 \$
Drain cover - Matte Black	INF148M	194 \$
Heated backrest (one)	DCHB1	765 \$

Complete Technical specifications at [www.oceania-attitude.com](http://www.oceania-attitude.com) will prevail at all times

**WARNING: Faucets must be installed on the wall, deck or floor (not on bath).**

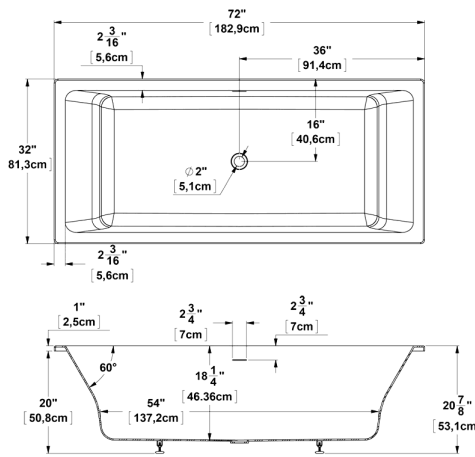
*The overflow is factory installed, the white drain is included but not installed. If system, delivered with keypad not installed and remote control is included.*

**\*\*See the options chart on pages 75 to 78 of this document for all available colors and finishes.**

## Viele 7232

72" x 32" x 21" [182,2cm x 81,3 cm x 53,3 cm]  
82 IMP Gal. / 106.90 US Gal. / 372.70 Liters

Linear overflow and white drain included



Complete Technical specifications at [www.oceania-attitude.com](http://www.oceania-attitude.com) will prevail at all times

### Retail price

Product Code	Model	Price
<b>VI7232</b>	Soaker	<b>2,802 \$</b>
<b>VI7232AM</b>	AeroMassage™	<b>6,528 \$</b>
<b>VI7232SA</b>	Super AeroMassage™	<b>7,553 \$</b>
<b>Not available</b>	Linear cutout	<b>N/A</b>

Standard color : White(01)

Returns accepted on white product only

### Options\*\*

	Code	Add
White acrylic grab bar (each)	G01	227 \$
Acrylic Biscuit Color	INT02	1609 \$
Acrylic Black Color	INT48	1609 \$
Removable White Skirt Panel for 72" Viele baths	JA72VI	1352 \$
Chromatherapy lights	MLC	1203 \$
Tile flange for baths, see page 60	TF	240 \$
Drain cover - White	INF101	INCL
Drain cover - Chrome	INF114	194 \$
Drain cover - Matte Black	INF148M	194 \$
Heated backrest (one)	DCHB1	765 \$
Heated backrest (two)	DCHB2	1049 \$

**WARNING: Faucets must be installed on the wall, deck or floor (not on bath).**

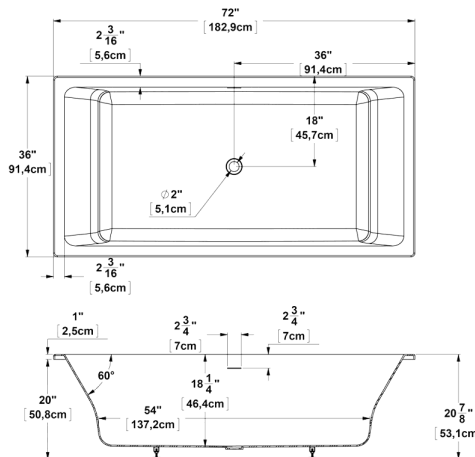
*The overflow is factory installed, the white drain is included but not installed. If system, delivered with keypad not installed and remote control is included.*

\*\*See the options chart on pages 75 to 78 of this document for all available colors and finishes.

## Viele 7236

72" x 36" x 21" [182,2cm x 91,4 cm x 53,1 cm]  
95 IMP Gal. / 123.90 US Gal. / 438.80 Liters

Linear overflow and white drain included



Complete Technical specifications at [www.oceania-attitude.com](http://www.oceania-attitude.com) will prevail at all times

### Retail price

Product Code	Model	Price
<b>VI7236</b>	Soaker	<b>2,802 \$</b>
<b>VI7236AM</b>	AeroMassage™	<b>6,528 \$</b>
<b>VI7236SA</b>	Super AeroMassage™	<b>7,553 \$</b>
<b>Not available</b>	Linear cutout	<b>N/A</b>

Standard color : White(01)

Returns accepted on white product only

### Options\*\*

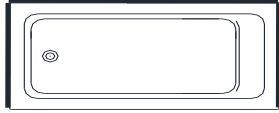
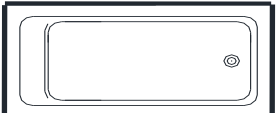

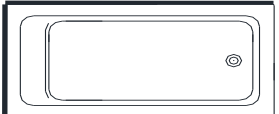
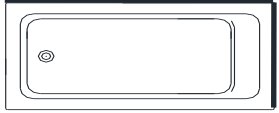

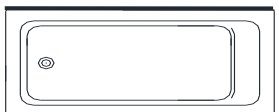
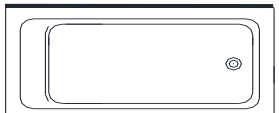
	Code	Add
White acrylic grab bar (each)	G01	227 \$
Acrylic Biscuit Color	INT02	1609 \$
Acrylic Black Color	INT48	1609 \$
Removable White Skirt Panel for 72" Viele baths	JA72VI	1352 \$
Chromatherapy lights	MLC	1203 \$
Tile flange for baths, see page 60	TF	240 \$
Drain cover - White	INF101	INCL
Drain cover - Chrome	INF114	194 \$
Drain cover - Matte Black	INF148M	194 \$
Heated backrest (one)	DCHB1	765 \$
Heated backrest (two)	DCHB2	1049 \$

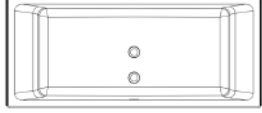

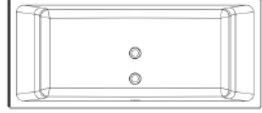
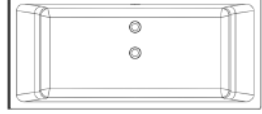



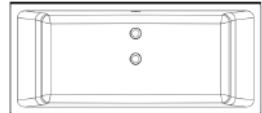
**WARNING: Faucets must be installed on the wall, deck or floor (not on bath).**

*The overflow is factory installed, the white drain is included but not installed. If system, delivered with keypad not installed and remote control is included.*

\*\*See the options chart on pages 75 to 78 of this document for all available colors and finishes.

## Tile flanges for baths

<b>TFL</b>		<u>Flanges</u> Back Left Right	<u>Drain</u> Left
<b>TFR</b>		<u>Flanges</u> Back Left Right	<u>Drain</u> Right
<b>TFLBL</b>		<u>Flanges</u> Back Left	<u>Drain</u> Left
<b>TFRBL</b>		<u>Flanges</u> Back Left	<u>Drain</u> Right 728 999
<b>TFLBR</b>		<u>Flanges</u> Back Right	<u>Drain</u> Left
<b>TFRBR</b>		<u>Flanges</u> Back Right	<u>Drain</u> Right
<b>TFLB</b>		<u>Flanges</u> Back	<u>Drain</u> Left
<b>TFRB</b>		<u>Flanges</u> Back	<u>Drain</u> Right

<b>TFDF</b>		<u>Flanges</u> Back Left Right	<u>Drain</u> Front or Front overflow Center drain
<b>TFDB</b>		<u>Flanges</u> Back Left Right	<u>Drain</u> Back or Back overflow Center drain
<b>TFDFBL</b>		<u>Flanges</u> Back Left	<u>Drain</u> Front or Front overflow Center drain
<b>TFDBBL</b>		<u>Flanges</u> Back Left	<u>Drain</u> Back or Back overflow Centre drain
<b>TFDFBR</b>		<u>Flanges</u> Back Right	<u>Drain</u> Front or Front overflow Center drain
<b>TFDBBR</b>		<u>Flanges</u> Back Right	<u>Drain</u> Back or Back overflow Center drain
<b>TFDFB</b>		<u>Flanges</u> Back	<u>Drain</u> Front or Front overflow Center drain
<b>TFDBB</b>		<u>Flanges</u> Back	<u>Drain</u> Back or Back overflow Center drain

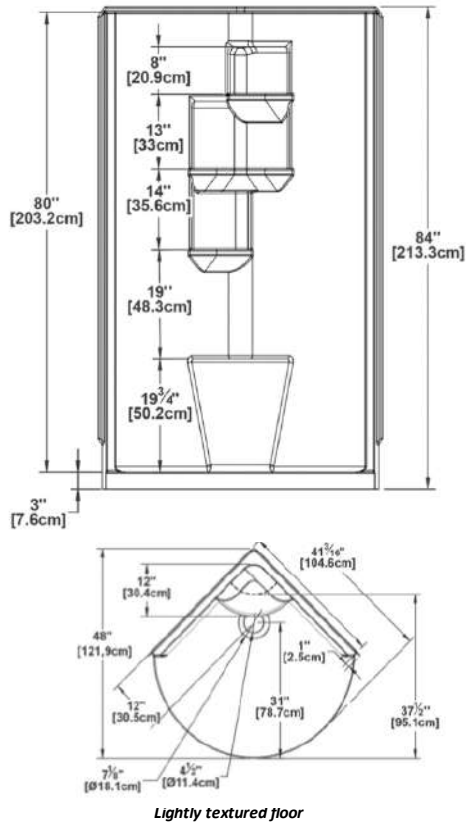
**Installation cost (includes tile flanges & installation):**

**240 \$**



# Reality 34

34" x 34" x 84" [86,4 cm x 86,4 cm x 213,4 cm]



## Retail price

Product code	Description	Price
RE34	Shower only	3 326 \$

## Color - Available in white only

White (standard)	0 \$
------------------	------

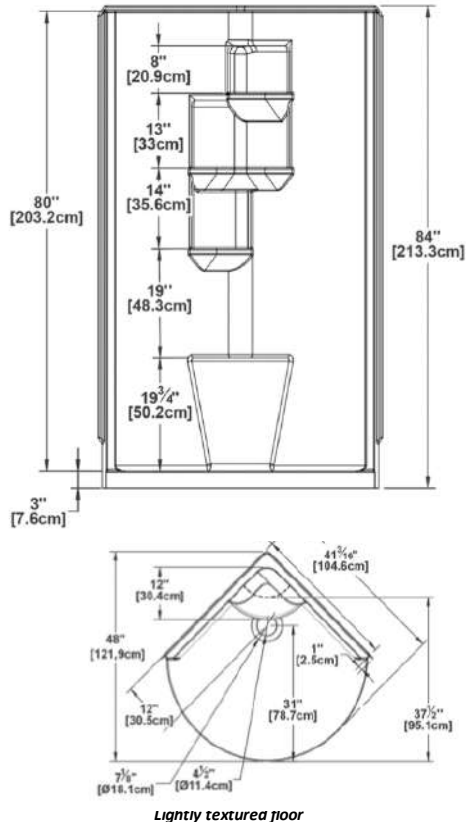
## Options

Description	Code	Price
PRE 34 door with 6mm clear glass - chrome	PRE3440	1 510 \$
PRE 34 door with 6mm frosted glass - chrome	PRE3450	1 691 \$
PRE 34 door with 6mm clear glass - matte black	PRE3440BK	1 510 \$

## Reality 34 (2 sections)

2 sections

34" x 34" x 84" [86,4 cm x 86,4 cm x 213,4 cm]



## Retail price

Product code	Description	Price
RE342S	Shower only	3 738 \$

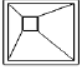
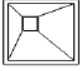

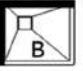



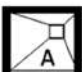



## Color - Available in white only



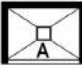
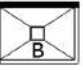
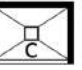

White (standard)	0 \$
------------------	------



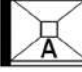
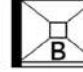







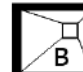

## Options

Description	Code	Price
PRE 34 door with 6mm clear glass - chrome	PRE3440	1 510 \$
PRE 34 door with 6mm frosted glass - chrome	PRE3450	1 691 \$
PRE 34 door with 6mm clear glass - matte black	PRE3440BK	1 510 \$

SHOWER BASES WITH INTEGRATED TILE FLANGES AND DOORS

34" X 32"						
BASES		Description	Code	Available tile flanges	Price	
					White (01)	Color
BASES		square drain cover drain 12 x 12 left corner	SB34L3212	   	1 657 \$	Available in white only
		square drain cover drain 12 x 12 right corner	SB34R3212	   	1 657 \$	
DOORS	Installation type		Code	Description	Price	Tile flange (for base)
	Alcove	opening on side 34"	FP34	CALIFORNIA with pivots 1 side 34"	2 401 \$	A
		opening on side 32"	FP32	CALIFORNIA with pivots 1 side 32"	2 243 \$	X*
	Corner	opening on side 34"	FP34R32	CALIFORNIA with pivots 2 sides 34"x 32"	3 069 \$	B or C
opening on side 32"		FP32R34	CALIFORNIA with pivots 2 sides 32"x 34"	3 069 \$		

36" X 32"						
BASES		Description	Code	Available tile flanges	Price	
					White (01)	Color
BASES		square drain cover centered drain	SB3632	   	1 657 \$	Available in white only
DOORS	Installation type		Code	Description	Price	Tile flange (for base)
	Alcove	opening on side 36"	PB136 <sup>+</sup>	CALIFORNIA hinged door 1 side 36"	2 157 \$	A
		opening on side 32"	FP32	CALIFORNIA with pivots 1 side 32"	2 243 \$	X*
	Corner	opening on side 36"	PB23632 <sup>+</sup>	CALIFORNIA hinged door 2 sides 36"x 32"	2 934 \$	B or C
opening on side 32"		FP32R36	CALIFORNIA with pivots 2 sides 32"x 36"	3 069 \$		

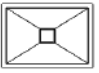

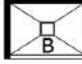
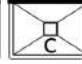

36" X 36"						
BASES		Description	Code	Available tile flanges	Price	
					White (01)	Color
BASES		square drain cover centered drain	SB3636	  	1 687 \$	Available in white only
		square drain cover drain 12 x 12 left corner	SB36L3612	  	1 687 \$	Available in white only
		square drain cover drain 12 x 12 right corner	SB36R3612	  	1 687 \$	
DOORS	Installation type		Code	Description	Price	Tile flange (for base)
	Alcove	opening on side 36"	PB136 <sup>+</sup>	CALIFORNIA hinged door 1 side 36"	2 157 \$	A
	Corner		PB23636 <sup>+</sup>	CALIFORNIA hinged door 2 sides 36"x 36"	2 934 \$	B or C

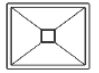
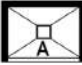
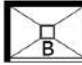
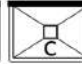
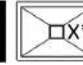
\*This configuration has no tiling flange. **The aluminum tile flanges are provided, but not factory installed.**

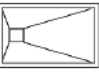

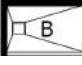
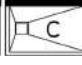
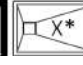
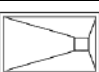

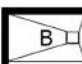


+Also available with Matte Black finish (Code + BK). See pages 70 to 72 for all options.

When ordering, please mention shower base code + tile flange code. Standard color is white (01) (ex : SB36L3412-B-01).

Replacement drain cover available. Price on demand.

42" X 32"						
BASES		Description	Code	Available tile flanges	Price	
					White (01)	Color
		square drain cover centered drain	SB4232	   	1 750 \$	Available in white only
DOORS	Installation type		Code	Description	Price	Tile flange (for base)
	Alcove	opening on side 42"	PB142 <sup>+</sup>	CALIFORNIA hinged door 1 side 42"	2 271 \$	A
		opening on side 32"	FP32	CALIFORNIA with pivots 1 side 32"	2 243 \$	X*
	Corner	opening on side 42"	PB24232 <sup>+</sup>	CALIFORNIA hinged door 2 sides 42"x 32"	3 421 \$	B or C
opening on side 32"		FP32R42	CALIFORNIA with pivots 2 sides 32"x 42"	3 501 \$		

42" X 36"						
BASES		Description	Code	Available tile flanges	Price	
					White (01)	Color
		square drain cover centered drain	SB4236	   	1 780 \$	Available in white only
DOORS	Installation type		Code	Description	Price	Tile flange (for base)
	Alcove	opening on side 42"	PB142 <sup>+</sup>	CALIFORNIA hinged door 1 side 42"	2 271 \$	A
		opening on side 36"	PB136 <sup>+</sup>	CALIFORNIA hinged door 1 side 36"	2 157 \$	X*
	Corner	opening on side 42"	PB24236 <sup>+</sup>	CALIFORNIA hinged door 2 sides 42"x 36"	3 421 \$	B or C
opening on side 36"		PR23642 <sup>+</sup>	CALIFORNIA hinged door 2 sides 36"x 42"	3 421 \$		

48" X 32"							
BASES		Description	Code	Available tile flanges	Price		
					White (01)	Color	
		square drain cover left hand drain	SB48L32	   	1 780 \$	Available in white only	
		square drain cover right hand drain	SB48R32	   	1 780 \$		
DOORS	Installation type		Code	Description	Price	Tile flange (for base)	
	Alcove	opening on side 48"	EKO48	EKO sliding door 1 side 48"	1 817 \$	A	
			PB148 <sup>+</sup>	CALIFORNIA hinged door 1 side 48"	2 385 \$		
			PBSD48 <sup>++</sup>	MARELIA sliding door 1 side 48"	2 678 \$		
	Corner	opening on side 32"	FP32	CALIFORNIA with pivots 1 side 32"	2 243 \$	X*	
			opening on side 48"	EKO48R32	EKO sliding door 2 sides 48"x 32"	2 659 \$	B or C
				PB24832 <sup>+</sup>	CALIFORNIA hinged door 2 sides 48"x 32"	3 609 \$	
PBSD48R32 <sup>++</sup>				MARELIA sliding door 2 sides 48"x 32"	3 615 \$		
Side wall	opening on side 48"	FP32R48	CALIFORNIA with pivots 2 sides 32"x 48"	3 687 \$			
		PBSD48R232 <sup>++</sup>	MARELIA sliding door 3 sides 48"x 32"	5 076 \$	X*		


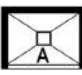
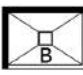
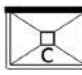

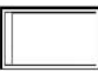

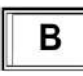

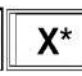
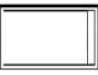



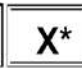
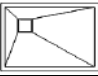
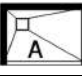
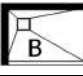
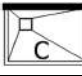
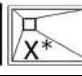
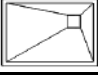
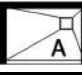
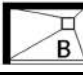
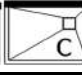
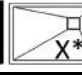
\*This configuration has no tiling flange. **The aluminum tile flanges are provided, but not factory installed.**

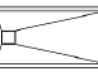
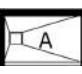
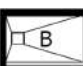
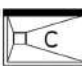
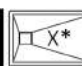
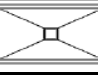
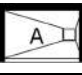
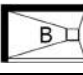
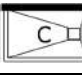
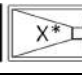

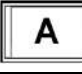

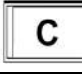
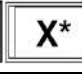





+Also available with Matte Black finish (Code + BK). See pages 70 to 72 for all options.

++Also available with Matte Black finish (Code + BK) or Brushed Nickel (Code + BN). See pages 70 to 72 for all options.

When ordering, please mention shower base code + tile flange code. Standard color is white (01) (ex : SB4236-A-01).

Replacement drain cover available. Price on demand.

48" X 36"							
		Description	Code	Available tile flanges	Price		
					White (01)	Color	
BASES		square drain cover centered drain	SB4836	   	1 780 \$	Available in white only	
		rectangular drain cover left hand drain	SB48L36LI	   	1 959 \$	Available in white only	
		rectangular drain cover right hand drain	SB48R36LI	   	1 959 \$		
		square drain cover drain 12 x 12 left corner	SB48L3612	   	1 780 \$	Available in white only	
		square drain cover drain 12 x 12 right corner	SB48R3612	   	1 780 \$		
DOORS	Installation type		Code	Description	Price	Tile flange (for base)	
	Alcove	opening on side 48"	EKO48	EKO sliding door 1 side 48"	1 817 \$	A	
			PB148 <sup>+</sup>	CALIFORNIA hinged door 1 side 48"	2 385 \$		
			PBSD48 <sup>++</sup>	MARELIA sliding door 1 side 48"	2 678 \$		
	Corner	opening on side 48"	PB136 <sup>+</sup>	CALIFORNIA hinged door 1 side 36"	2 157 \$	X*	
			opening on side 36"	EKO48R36	EKO sliding door 2 sides 48"x 36"	2 659 \$	B or C
				PB24836 <sup>+</sup>	CALIFORNIA hinged door 2 sides 48"x 36"	3 609 \$	
				PBSD48R36 <sup>++</sup>	MARELIA sliding door 2 sides 48"x 36"	3 615 \$	
Side wall	opening on side 48"	PR23648 <sup>+</sup>	CALIFORNIA hinged door 2 sides 36"x 48"	3 609 \$			
		PBSD48R236 <sup>++</sup>	MARELIA sliding door 3 sides 48"x 36"	5 076 \$	X*		

60" X 32"						
		Description	Code	Available tile flanges	Price	
					White (01)	Color
BASES		square drain cover left hand drain	SB60L32	   	2 023 \$	Available in white only
		square drain cover right hand drain	SB60R32	   	2 023 \$	
		rectangular drain cover left hand drain	SB60L32LI	   	2 201 \$	Available in white only
		rectangular drain cover right hand drain	SB60R32LI	   	2 201 \$	
DOORS	Installation type		Code	Description	Price	Tile flange (for base)
	Alcove	opening on side 60"	EKO60	EKO sliding door 1 side 60"	1 988 \$	A
			PBSD60 <sup>++</sup>	MARELIA sliding door 1 side 60"	2 886 \$	
			FP32	CALIFORNIA with pivots 1 side 32"	2 243 \$	
	Corner	opening on side 60"	PBSD60R32 <sup>++</sup>	MARELIA sliding door 2 sides 60"x 32"	3 876 \$	B or C
			EKO60R32	EKO sliding door 2 sides 60"x 32"	2 824 \$	
Side wall	opening on side 60"	PBSD60R232 <sup>++</sup>	MARELIA sliding door 3 sides 60"x 32"	5 730 \$	X*	

\*This configuration has no tiling flange. **The aluminum tile flanges are provided, but not factory installed.**

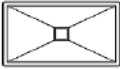
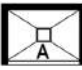
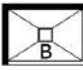
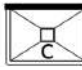


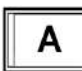


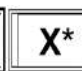

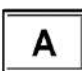
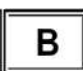
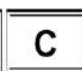
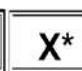
+Also available with Matte Black finish (Code + BK). See pages 70 to 72 for all options.


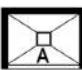
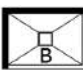
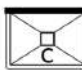

++Also available with Matte Black finish (Code + BK) or Brushed Nickel (Code + BN). See pages 70 to 72 for all options.

When ordering, please mention shower base code + tile flange code. Standard color is white (01) (ex : SB4236-A-01).

Replacement drain cover available. Price on demand.

SHOWER BASES WITH INTEGRATED TILE FLANGES AND DOORS

60" X 36"						
BASES	Image	Description	Code	Available tile flanges	Price	
					White (01)	Color
BASES		square drain cover centered drain	SB6036	   	2 023 \$	Available in white only
		rectangular drain cover left hand drain	SB60L36LI	   	2 201 \$	Available in white only
		rectangular drain cover right hand drain	SB60R36LI	   	2 201 \$	
Installation type		Code	Description	Price	Tile flange (for base)	
DOORS	Alcove	opening on side 60"	EKO60	EKO sliding door 1 side 60"	1 988 \$	A
		opening on side 36"	PBSD60 <sup>++</sup>	MARELIA sliding door 1 side 60"	2 886 \$	
			PB136 <sup>+</sup>	CALIFORNIA hinged door 1 side 36"	2 157 \$	X*
	Corner	opening on side 60"	EKO60R36	EKO sliding door 2 sides 60"x 36"	2 824 \$	B or C
			PBSD60R36 <sup>++</sup>	MARELIA sliding door 2 sides 60"x 36"	3 911 \$	
	Side wall	opening on side 60"	PBSD60R236 <sup>++</sup>	MARELIA sliding door 3 sides 60"x 36"	5 730 \$	X*

60" X 42"						
BASES	Image	Description	Code	Available tile flanges	Price	
					White (01)	Color
BASES		square drain cover centered drain	SB6042	   	2 046 \$	Available in white only
Installation type		Code	Description	Price	Tile flange (for base)	
DOORS	Alcove	opening on side 60"	EKO60	EKO sliding door 1 side 60"	1 988 \$	A
		opening on side 42"	PBSD60 <sup>++</sup>	MARELIA sliding door 1 side 60"	2 886 \$	
			PB142 <sup>+</sup>	CALIFORNIA hinged door 1 side 42"	2 271 \$	X*
	Corner	opening on side 60"	PBSD60R42 <sup>++</sup>	MARELIA sliding door 2 sides 60"x 42"	4 021 \$	B or C
	Side wall	opening on side 60"	PBSD60R242 <sup>++</sup>	MARELIA sliding door 3 sides 60"x 42"	5 830 \$	X*

\*This configuration has no tiling flange. **The aluminum tile flanges are provided, but not factory installed.**


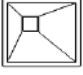
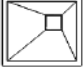
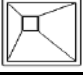


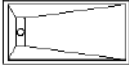
+Also available with Matte Black finish (Code + BK). See pages 70 to 72 for all options.

++Also available with Matte Black finish (Code + BK) or Brushed Nickel (Code + BN). See pages 70 to 72 for all options.

When ordering, please mention shower base code + tile flange code. Standard color is white (01) (ex : SB4236-A-01).

Replacement drain cover available. Price on demand.

SHOWER BASES WITHOUT FLANGES AND DOORS  
ALUMINUM FLANGES SUPPLIED BUT NOT INSTALLED

BASES				COMPATIBLE DOORS		
	Code	Description	Price	Door code	Door description	Door price
	SB323212X	square drain cover, corner drain 12 x 12	1 657 \$	FP32	CALIFORNIA with pivots 1 side 32"	2 243 \$
				FP32R32	CALIFORNIA with pivots 2 sides 32"x 32"	3 044 \$
	SB36L3412X	square drain cover, corner drain 12 x 12	1 687 \$	PB136 <sup>+</sup>	CALIFORNIA hinged door 1 side 36"	2 157 \$
				FP34	CALIFORNIA with pivots 1 side 34"	2 401 \$
	SB36R3412X	square drain cover, corner drain 12 x 12	1 687 \$	PB23634 <sup>+</sup>	CALIFORNIA hinged door 2 sides 36"x 34"	2 934 \$
				FP34R36	CALIFORNIA with pivots 2 sides 34"x 36"	3 069 \$
	SB424212X	square drain cover, corner drain 12 x 12	1 780 \$	PB142 <sup>+</sup>	CALIFORNIA hinged door 1 side 42"	2 271 \$
				PB24242 <sup>+</sup>	CALIFORNIA hinged door 2 sides 42"x 42"	3 567 \$
	SB4842X	square drain cover centered drain	1 926 \$	EKO48	EKO sliding door 1 side 48"	1 817 \$
				PB148 <sup>+</sup>	CALIFORNIA hinged door 1 side 48"	2 385 \$
				PBSD48 <sup>++</sup>	MARELIA sliding door 1 side 48"	2 678 \$
				PB142 <sup>+</sup>	CALIFORNIA hinged door 1 side 42"	2 271 \$
				PB24842 <sup>+</sup>	CALIFORNIA hinged door 2 sides 48"x 42"	3 679 \$
				PBSD48R42 <sup>++</sup>	MARELIA sliding door 2 sides 48"x 42"	3 809 \$
				PR24248 <sup>+</sup>	CALIFORNIA hinged door 2 sides 42"x 48"	3 679 \$
PBSD48R242 <sup>++</sup>	MARELIA sliding door 3 sides 48"x 42"	5 730 \$				
	SB6048X	square drain cover centered drain	2 242 \$	EKO60	EKO sliding door 1 side 60"	1 988 \$
				PBSD60 <sup>++</sup>	MARELIA sliding door 1 side 60"	2 886 \$
				EKO48	EKO sliding door 1 side 48"	1 817 \$
				PB148 <sup>+</sup>	CALIFORNIA hinged door 1 side 48"	2 385 \$
				PBSD48 <sup>++</sup>	MARELIA sliding door 1 side 48"	2 678 \$
				PBSD60R48 <sup>++</sup>	MARELIA sliding door 2 sides 60"x 48"	4 161 \$
				PBSD60R248 <sup>++</sup>	MARELIA sliding door 3 sides 60"x 48"	6 275 \$
	SB6636X	rectangular drain cover	2 201 \$	PBSD66 <sup>+</sup>	MARELIA sliding door 1 side 66"	3 308 \$
				PB136 <sup>+</sup>	CALIFORNIA hinged door 1 side 36"	2 157 \$
				PBSD66R36 <sup>+</sup>	MARELIA sliding door 2 sides 66"x 36"	4 433 \$
				PBSD66R236 <sup>+</sup>	MARELIA sliding door 3 sides 66"x 36"	6 252 \$

\*This configuration has no tiling flange. **The aluminum tile flanges are provided, but not factory installed.**

+Also available with Matte Black finish (Code + BK). See pages 70 to 72 for all options.

++Also available with Matte Black finish (Code + BK) or Brushed Nickel (Code + BN). See pages 70 to 72 for all options.

When ordering, please mention shower base code + tile flange code. Standard color is white (01) (ex : SB4236-A-01).

Replacement drain cover available. Price on demand.

## Shower Base Screens - 78<sup>3</sup>/<sub>4</sub>" height

Fixed shower screens allowing a multitude of possibilities and arrangements according to your needs.

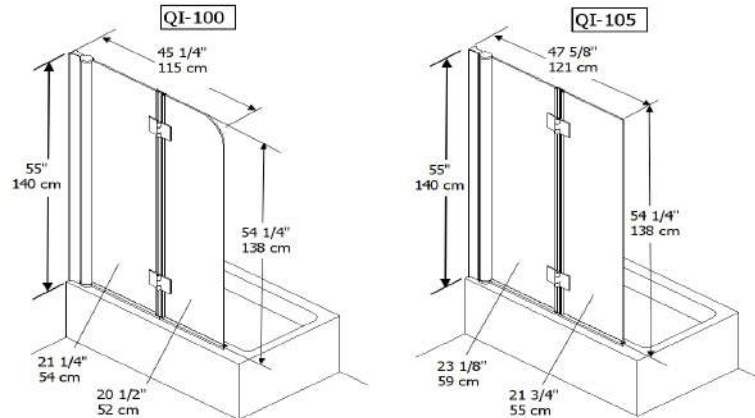
Clear 8mm glass, ClearView™ treated, reversible installation, available in chrome and Matte Black.

Dimensions		Code	Price	
Front	Maximum		Chrome	Matte Black (Code + BK)
29"	29 <sup>1</sup> / <sub>4</sub> "	R32	1 244 \$	1 774 \$
31"	31 <sup>1</sup> / <sub>4</sub> "	R34	1 301 \$	1 838 \$
33"	33 <sup>1</sup> / <sub>4</sub> "	R36	1 301 \$	1 838 \$
39"	39 <sup>1</sup> / <sub>4</sub> "	R42	1 445 \$	1 935 \$
45"	45 <sup>1</sup> / <sub>4</sub> "	R48	1 482 \$	2 026 \$



## Bath Screens

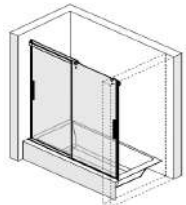
Code	Description	Price
QI100	Bath screen (round corner)	1 403 \$
QI105	Bath screen (square corner)	1 403 \$
QI105BK	Bath screen (square corner) - Black matte finish	1 562 \$
QI105BN	Bath screen (square corner) - Brushed Nickel finish	2 007 \$
QI105W	Bath screen (square corner) - White finish	1 562 \$



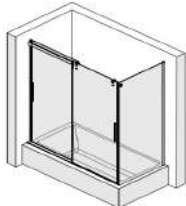
The Frameless Clear Glass Shower Panel has a thickness of 6mm. Contemporary in look with a high-design, leak-proof support that allows the glass door panel to pivot 180 degrees. The entire glass panel folds together 180 degrees allowing full and easy access to faucets. When folding the glass panels together, the wall mounted hinges are designed to lift the door slightly preventing scratching of the acrylic bath surface. Reversible by design, the QI Glass Shower Panels can be installed either left hand or right hand. Can be installed on any bath with flat surface. Treated on both sides with ClearView™, Oceania's Water Repellent Technology, minimal maintenance is required.

## HYDRIA bathtub doors - 64" height


The Hydria bathtub door is all about transparency and simplicity. With its double bidirectional sliding panels, it allows faucet and bathtub access. Other features : Magnets on each end for a perfect seal, 8 mm tempered glass with Oceania Clear View™ treatment, acrylic door seals, chrome finish.

ALCOVE Installation*	Dimensions			Code	Price		
	Front	Side panel	Door opening		Chrome	Matte Black (Code + BK)	
	60"	N/A	28 3/8" to 29 1/8"		HY60	2 450 \$	
66"	N/A	31 1/8" to 32 1/8"	HY66	2 598 \$	3 132 \$		

CORNER Installation**	Dimensions			Code	Price		
	Front	Side panel	Door opening		Chrome	Matte Black (Code + BK)	
	60"	31"	28 3/8" to 29 1/8"		HY60R31	3 376 \$	
66"	31"	31 1/8" to 32 1/8"	HY66R31	3 661 \$	4 251 \$		

SIDE WALL Installation**	Dimensions			Code	Price		
	Front	Side panel	Door opening		Chrome	Matte Black (Code + BK)	
	60"	31"	28 3/8" to 29 1/8"		HY60R231	4 304 \$	
66"	31"	31 1/8" to 32 1/8"	HY66R231	4 727 \$	5 360 \$		

Option	Description	Code	Price
	Wall jamb extension 3/4" (for 32" baths)	WJEXT75	255 \$


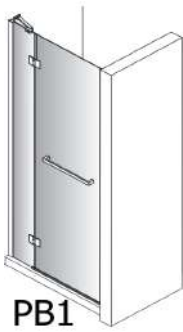
\*Installation on bathtubs having a top side of at least 3 1/4" wide.

\*\* Designed to be installed on Suite, Loft and Urbania bathtubs (60x31 or 66x31).


OCEANIA SHOWER DOORS

Clear 8mm glass, ClearView™ treated, all doors can be installed left or right hand side, standard chrome hardware and trims (some series offered with Matte Black or Brushed Nickel finish).


<b>"CALIFORNIA" SERIES</b>						
<b>Shower doors - with pivots (FP) and hinged (PB1)</b>						
Dimensions			Code	Price		
Front	Side (return)	Door opening		Chrome	Matte Black (Code + BK)	
32"		25" to 26"	FP32	2 243 \$	Not available	
34"		27" to 28"	FP34	2 401 \$	Not available	
36"		23¾"	PB136	2 157 \$	2 386 \$	
42"			PB142	2 271 \$	2 501 \$	
48"			PB148	2 385 \$	2 614 \$	

**ALCOVE Installation**	**"MARELIA" SERIES**						
**Sliding shower doors (PBSD)**							
Dimensions			Code	Price			
Front	Side (return)	Door opening	Chrome	Matte Black (Code + BK)	Brushed Nickel (Code + BN)		
48"		19" to 20"	PBSD48	2 678 \$	3 416 \$	3 416 \$	
60"		25" to 26"	PBSD60	2 886 \$	3 584 \$	3 584 \$	
66"		PBSD66	3 308 \$	4 109 \$	Not available		

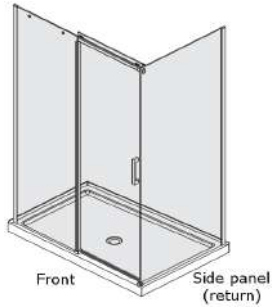


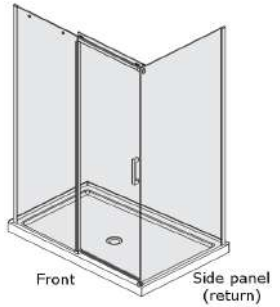
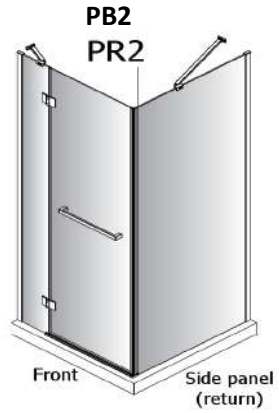
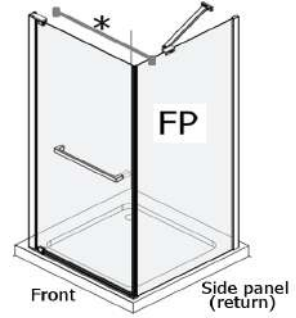
	**"EKO" SERIES**						
**Sliding shower doors (EKO)**							
Dimensions			Code	Price			
Front	Side (return)	Door opening					
48"		18¼" to 19¼"	EKO48	1 817 \$			
60"		24¼" to 25¼"	EKO60	1 988 \$			



OCEANIA SHOWER DOORS

Clear 8mm glass, ClearView™ treated, all doors can be installed left or right hand side, standard chrome hardware and trims (some series offered with Matte Black or Brushed Nickel finish).

<b>"CALIFORNIA" SERIES</b>					
Shower doors - with pivots (FP) and hinged (P)			728	Price	
Dimensions			999	Price	
Front	Side (return)	Door opening		Chrome	Matte Black (Code + BK)
32"	32"	25" to 26"	FP32R32*	3 044 \$	Not available
34"	32"	27" to 28"	FP34R32*	3 069 \$	Not available
36"	32"	24"	PB23632	2 934 \$	3 541 \$
36"	34"		PB23634	2 934 \$	3 541 \$
36"	36"		PB23636	2 934 \$	3 541 \$
42"	32"		PB24232	3 421 \$	4 029 \$
42"	36"		PB24236	3 421 \$	4 029 \$
42"	42"		PB24242	3 567 \$	4 174 \$
48"	32"		PB24832	3 609 \$	4 216 \$
48"	36"		PB24836	3 609 \$	4 216 \$
48"	42"	PB24842	3 679 \$	4 286 \$	
* Optional transversal support			STFP32 or STFP34	200 \$	Not available
<b>"EKO" SERIES</b>					
Shower doors - with pivots (FP) and hinged (PR2) - opening on SHORT side					
Dimensions			Code	Price	
Front	Side (return)	Door opening		Chrome	Matte Black (Code + BK)
32"	34"	25" to 26"	FP32R34*	3 069 \$	Not available
32"	36"		FP32R36*	3 069 \$	Not available
32"	42"		FP32R42*	3 501 \$	Not available
32"	48"		FP32R48*	3 687 \$	Not available
34"	36"	27" to 28"	FP34R36*	3 069 \$	Not available
36"	42"	24"	PR23642	3 421 \$	4 029 \$
36"	48"		PR23648	3 609 \$	4 216 \$
42"	48"		PR24248	3 679 \$	4 286 \$
* Optional transversal support			STFP32 or STFP34	200 \$	Not available
<b>"EKO" SERIES</b>					
Corner sliding shower doors (EKO)					
Dimensions			Code	Price	
Front	Side (return)	Door opening			
48"	32"	18¼" to 19¼"	EKO48R32	2 659 \$	
48"	36"		EKO48R36	2 659 \$	
60"	32"	24¼" to 25¼"	EKO60R32	2 824 \$	
60"	36"		EKO60R36	2 824 \$	

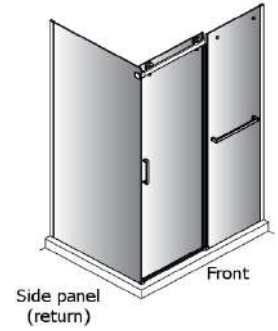


CORNER Installation

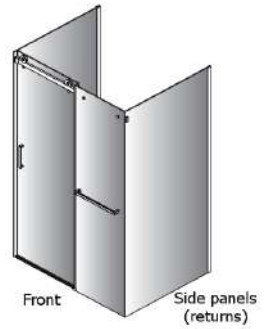
OCEANIA SHOWER DOORS

Clear 8mm glass, ClearView™ treated, all doors can be installed left or right hand side, standard chrome hardware and trims (some series offered with Matte Black or Brushed Nickel finish).

"MARELIA" SERIES							
CORNER Installation	Corner sliding shower doors (PBSDR)						
	Dimensions			Code	Price		
	Front	Side (return)	Door opening		Chrome	Matte Black (Code + BK)	Brushed Nickel (Code + BN)
	48"	32"	19" to 20"	PBSD48R32	3 615 \$	4 358 \$	4 358 \$
	48"	36"		PBSD48R36	3 615 \$	4 358 \$	4 358 \$
	48"	42"		PBSD48R42	3 809 \$	4 514 \$	4 514 \$
	60"	32"	25" to 26"	PBSD60R32	3 876 \$	4 569 \$	4 569 \$
	60"	36"		PBSD60R36	3 911 \$	4 596 \$	4 596 \$
	60"	42"		PBSD60R42	4 021 \$	4 688 \$	4 688 \$
	60"	48"		PBSD60R48	4 161 \$	4 801 \$	4 801 \$
66"	36"	PBSD66R36		4 433 \$	5 101 \$	Not available	



"MARELIA" SERIES							
SIDE WALL Installation	Sliding shower doors (PBSDR2)						
	Dimensions			Code	Price		
	Front	Sides (returns)	Door opening		Chrome	Matte Black (Code + BK)	Brushed Nickel (Code + BN)
	48"	32"	19" to 20"	PBSD48R232	5 076 \$	5 774 \$	5 774 \$
	48"	36"		PBSD48R236	5 076 \$	5 774 \$	5 774 \$
	48"	42"		PBSD48R242	5 730 \$	6 304 \$	6 304 \$
	60"	32"	25" to 26"	PBSD60R232	5 730 \$	6 304 \$	6 304 \$
	60"	36"		PBSD60R236	5 730 \$	6 304 \$	6 304 \$
	60"	42"		PBSD60R242	5 830 \$	6 384 \$	6 384 \$
	60"	48"		PBSD60R248	6 275 \$	6 749 \$	6 749 \$
66"	36"	PBSD66R236		6 252 \$	6 808 \$	Not available	



CORNER SHOWER DOORS

Corner shower doors (PD) - Avalanche

Dimensions	Code	Description	Price
Sides			
36"	PD3640	PD36 clear glass 6 mm	1 629 \$
	PD3650	PD36 6 mm Discretion glass	1 655 \$
	PD3640BK	PD36 door with 6mm clear glass - matte black	1 629 \$



Corner shower doors (PRE) - Reality

Dimensions	Code	Description	Price
Sides			
34"	PRE3440	PRE 34 door with 6mm clear glass - chrome	1 510 \$
	PRE3450	PRE 34 door with 6mm frosted glass - chrome	1 691 \$
	PRE3440BK	PRE 34 door with 6mm clear glass - matte black	1 510 \$

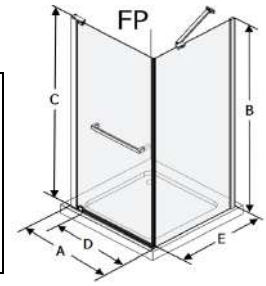


## Doors dimensions

### FP doors - California

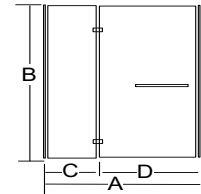
Code	A (min)	A (max)	B	C	D (min)	D(max)	E (min)	E (max)
FP32	29¼"	30½"	78¾"	79½"	25"	26"		
FP34	31¼"	32½"			27"	28"		
FP32R32	29¾"	30¾"	78¾"	79½"	25"	26"	29¾"	30¾"
FP32R34							31¾"	32¾"
FP32R36							33¾"	34¾"
FP32R42							39¾"	40¾"
FP32R48							45¾"	46¾"
FP34R32	31¾"	32¾"	78¾"	79½"	27"	28"	29¾"	30¾"
FP34R36							33¾"	34¾"

1 side panel  
(return)



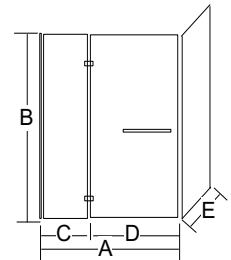
### PB1 doors - California (front only)

Code	A (min)	A (max)	B	C	D
PB136	33¾"	34¼"	78¾"	8"	23¾"
PB142	39¾"	40¾"		14"	
PB148	45¾"	46¾"		20"	



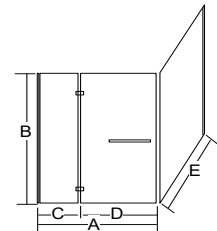
### PB2 doors - California (long side opening + 1 side panel)

Code	A (min)	A (max)	B	C	D	E (min)	E (max)
PB23632	33¾"	34¾"	78¾"	8"	24"	29½"	30¾"
PB23634						31½"	32½"
PB23636						33½"	34¾"
PB24232	39¾"	40¾"	78¾"	14"	24"	29½"	30¾"
PB24236						33½"	34¾"
PB24242						39½"	40¾"
PB24832	45¾"	46¾"	78¾"	20"	24"	29½"	30¾"
PB24836						33½"	34¾"
PB24842						39½"	40¾"



### PR2 doors - California (short side opening + 1 return panel)

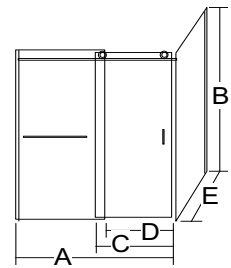
Code	A (min)	A (max)	B	C	D	E (min)	E (max)
PR23642	33¾"	34¾"	78¾"	14"	24"	39½"	40¾"
PR23648						45½"	46¾"
PR24248	39¾"	40¾"	78¾"	14"	24"	45½"	46¾"



## Doors dimensions

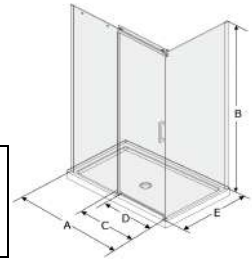
### PBSD doors - Marelia

Code	A (min)	A (max)	B	C	D (min)	D(max)	E (min)	E (max)	
PBSD48	45 $\frac{1}{8}$ "	46 $\frac{1}{8}$ "	78 $\frac{3}{4}$ "	25 $\frac{1}{4}$ "	19"	20"			1 side panel (return)
PBSD60	57 $\frac{7}{8}$ "	58 $\frac{7}{8}$ "		31 $\frac{1}{4}$ "	25"	26"			
PBSD66	63 $\frac{3}{8}$ "	64 $\frac{3}{8}$ "		31 $\frac{1}{4}$ "	25"	26"			
PBSD48R32	46"	46 $\frac{3}{4}$ "	78 $\frac{3}{4}$ "	25 $\frac{1}{4}$ "	19"	20"	30 $\frac{1}{4}$ "	30 $\frac{3}{4}$ "	
PBSD48R36							34 $\frac{1}{4}$ "	34 $\frac{5}{8}$ "	
PBSD48R42							40 $\frac{3}{8}$ "	40 $\frac{3}{4}$ "	
PBSD60R32	58"	58 $\frac{3}{4}$ "	78 $\frac{3}{4}$ "	31 $\frac{1}{4}$ "	25"	26"	30 $\frac{1}{4}$ "	30 $\frac{3}{4}$ "	
PBSD60R36							34 $\frac{1}{4}$ "	34 $\frac{5}{8}$ "	
PBSD60R42							40 $\frac{3}{8}$ "	40 $\frac{3}{4}$ "	
PBSD60R48							46 $\frac{1}{4}$ "	46 $\frac{3}{4}$ "	
PBSD66R36	64"	64 $\frac{3}{4}$ "	78 $\frac{3}{4}$ "	31 $\frac{1}{4}$ "	25"	26"	34 $\frac{1}{4}$ "	34 $\frac{5}{8}$ "	
PBSD48R232	46 $\frac{3}{8}$ "	46 $\frac{3}{8}$ "	78 $\frac{3}{4}$ "	25 $\frac{1}{4}$ "	19"	20"	30 $\frac{1}{4}$ "	30 $\frac{3}{4}$ "	
PBSD48R236							34 $\frac{1}{4}$ "	34 $\frac{5}{8}$ "	
PBSD48R242							40 $\frac{3}{8}$ "	40 $\frac{3}{4}$ "	
PBSD60R232	58 $\frac{3}{4}$ "	58 $\frac{5}{8}$ "	78 $\frac{3}{4}$ "	31 $\frac{1}{4}$ "	25"	26"	30 $\frac{1}{4}$ "	30 $\frac{3}{4}$ "	
PBSD60R236							34 $\frac{1}{4}$ "	34 $\frac{5}{8}$ "	
PBSD60R242							40 $\frac{3}{8}$ "	40 $\frac{3}{4}$ "	
PBSD60R248							46 $\frac{1}{4}$ "	46 $\frac{3}{4}$ "	
PBSD66R236	64 $\frac{1}{4}$ "	64 $\frac{3}{8}$ "	78 $\frac{3}{4}$ "	31 $\frac{1}{4}$ "	25"	26"	34 $\frac{1}{4}$ "	34 $\frac{3}{4}$ "	



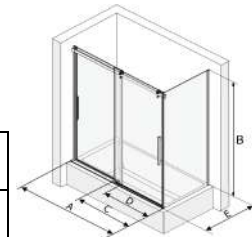
### EKO doors

Code	A (min)	A (max)	B	C	D (min)	D(max)	E (min)	E (max)	
EKO48	45 $\frac{1}{2}$ "	46"	78 $\frac{3}{4}$ "	23 $\frac{3}{4}$ "	18 $\frac{1}{4}$ "	19 $\frac{1}{4}$ "			1 side panel (return)
EKO60	57 $\frac{1}{2}$ "	58"		29 $\frac{3}{4}$ "	24 $\frac{1}{4}$ "	25 $\frac{1}{4}$ "			
EKO48R32	45 $\frac{1}{2}$ "	46"	78 $\frac{3}{4}$ "	23 $\frac{3}{4}$ "	18 $\frac{1}{4}$ "	19 $\frac{1}{4}$ "	29 $\frac{3}{4}$ "	30 $\frac{1}{4}$ "	
EKO48R36							33 $\frac{3}{4}$ "	34 $\frac{1}{4}$ "	
EKO60R32	57 $\frac{1}{2}$ "	58"	78 $\frac{3}{4}$ "	29 $\frac{3}{4}$ "	24 $\frac{1}{4}$ "	25 $\frac{1}{4}$ "	29 $\frac{3}{4}$ "	30 $\frac{1}{4}$ "	
EKO60R36							33 $\frac{3}{4}$ "	34 $\frac{1}{4}$ "	



### HYDRIA doors (installed on a bathtub)

Code	A (min)	A (max)	B	C	D (min)	D(max)	E (min)	E (max)	
HY60*	57 $\frac{3}{8}$ "	58 $\frac{3}{8}$ "	64"	29 $\frac{1}{4}$ "	28 $\frac{3}{8}$ "	29 $\frac{1}{8}$ "			1 side panel (return)
HY66*	63 $\frac{3}{8}$ "	64 $\frac{3}{8}$ "		32 $\frac{1}{4}$ "	31 $\frac{3}{8}$ "	32 $\frac{1}{8}$ "			
HY60R31**	57 $\frac{3}{8}$ "	58 $\frac{3}{8}$ "	64"	29 $\frac{1}{4}$ "	28 $\frac{3}{8}$ "	29 $\frac{1}{8}$ "	28 $\frac{3}{4}$ "	29 $\frac{1}{4}$ "	
HY66R31**	63 $\frac{3}{8}$ "	64 $\frac{3}{8}$ "		32 $\frac{1}{4}$ "	31 $\frac{3}{8}$ "	32 $\frac{1}{8}$ "	28 $\frac{3}{4}$ "	29 $\frac{1}{4}$ "	
HY60R231**	57 $\frac{3}{8}$ "	58 $\frac{3}{8}$ "	64"	29 $\frac{1}{4}$ "	28 $\frac{3}{8}$ "	29 $\frac{1}{8}$ "	28 $\frac{3}{4}$ "	29 $\frac{1}{4}$ "	
HY66R231**	63 $\frac{3}{8}$ "	64 $\frac{3}{8}$ "		32 $\frac{1}{4}$ "	31 $\frac{3}{8}$ "	32 $\frac{1}{8}$ "	28 $\frac{3}{4}$ "	29 $\frac{1}{4}$ "	



\*Installation on bathtubs having a top side of at least 3 $\frac{3}{4}$ " wide.

\*\*Designed to be installed on Suite, Loft and Urbania bathtubs (60x31 or 66x31).

## Drains and overflows


### Drain and overflow - Cable activated 40"

Material(s)	Code	Color	Price
PVC / solid brass trim	WOCO14	Chrome	390 \$
	WOCO16	Brushed nickel	390 \$
	WOCO17	Polished nickel	482 \$
PVC / molded plastic trim	WOCOMP01	White	308 \$
	WOCOMP02	Biscuit	308 \$

### Drain and overflow - Cable activated 20"

Material(s)	Code	Color	Price
Flexible brass / solid brass trim	WOCOSBS14	Chrome	620 \$
	WOCOSBS16	Brushed nickel	833 \$
	WOCOSBS17	Polished nickel	966 \$

### Adaptor for Freestanding tubs drain

Image	Code	Price
	FBQD	416 \$

### Drain cover for Authentik Signature Series

Material(s)	Code	Color	Price
Plated brass	INF114	Chrome	194 \$
	INF116	Brushed nickel	194 \$
	INF117	Polished nickel	194 \$
Powder coated brass*	INF101	White	194 \$
	INF148M	Matte Black	194 \$

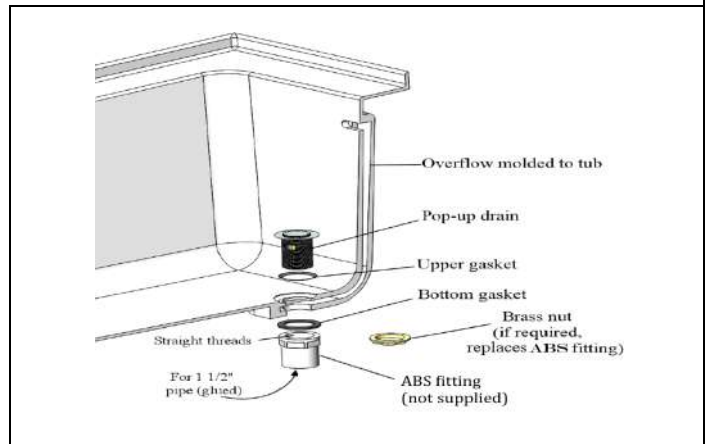
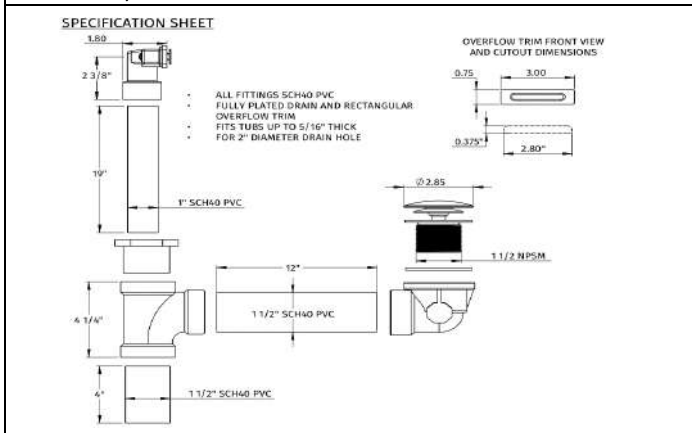
\*No warranty offered on Matte Black and White finishes.

### Linear overflow and drain

The overflow is factory installed, drain is included but not installed.

Material(s)	Code	Color	Price
Plated brass	BDW-114	Chrome	377 \$
	BDW-116	Brushed nickel	397 \$
	BDW-117	Polished nickel	397 \$
Powder coated brass*	BDW-101	White	397 \$
	BDW-148M	Matte Black	397 \$

\*No warranty offered on Matte Black and White finishes.



## General options

### Solid acrylic grab bar

Code	Color	Price
G01	White	227 \$
G02	Biscuit	227 \$



### Clear acrylic grab bar

Code	Insert	Price
G14	Chrome	287 \$
G12	Gold	287 \$



### Chromatherapy light<sup>1</sup>

Code	Color	Price
MLC	Variable LED	1 203 \$



<sup>1</sup> Not available if ordered with Comfort Air system.

### Floating remote control<sup>2</sup>

Code	Color	Price
RC01	White	623 \$
RC02	Biscuit	623 \$

<sup>2</sup> Keyboard is delivered but not installed if a remote control is ordered

Floating remote control for AeroMassage, Super AeroMassage with chromatherapy and/or heated backrest (s).



Floating remote control for AeroMassage or Super AeroMassage



### Removable skirt panel "JA", white acrylic only

Code	Type	Length (BETWEEN 2 FINISHED WALLS)	Skirt height	Price
JA60S	60" low profile	57¼" to 59"	18¾"	1 225 \$
JA60	60"	57¼" to 59"	20½"	1 225 \$
JA66	66"	63¾" to 65½"	19½"	1 284 \$
JA72	72"	69½" to 71¼"	19"	1 352 \$
JA72VI	72"	69½" to 71¼"	19"	1 352 \$
JAXL	XL	71½" to 73¼"	21¼"	1 352 \$

To be installed behind tub lip, between 2 finished walls, on a finished floor.

It is possible to cut the skirt panel if required ( up to 6" less in length, up to 3" less in Tile Flanges not included, see p.55 for flanges for bath configurations.



### Keypad options

Color	Code	Price
White	C01	included*
Biscuit	C02	included*
Chrome**	C14	223 \$
Brushed nickel	C16	223 \$

\*No charge with product of same color

\*\*No charge on special color

Keypad for AeroMassage, Super AeroMassage with chromatherapy and/or heated backrest (s).

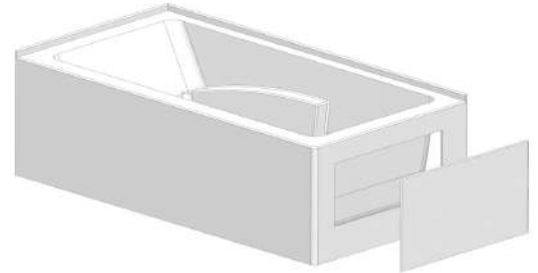


### Installation panel for SUITE et LOFT bathtubs

Code	Description	Price
TI-DR	Installation panel - DRAIN SIDE (shown here)	425 \$
TI-DO	Installation panel - BACK REST SIDE	425 \$

Opening dimension : 22" x 11 $\frac{3}{4}$ "

Installation panel dimension : 26" x 17 $\frac{1}{4}$ "



### Installation panel for URBANIA bathtubs

Code	Description	Price
TI-UR-DR	Installation panel for Urbania- DRAIN SIDE (shown here)	425 \$
TI-UR-DO	Installation panel for Urbania - BACK REST SIDE	425 \$

Opening dimension : 22" x 7  $\frac{3}{8}$ "

Installation panel dimension : 26" x 12  $\frac{3}{8}$ "

\* Replacement installation panel available. Price on demand.

### Thermotherapy- Heated Backrest

Code	Description	Price
DCHB1	Heated backrest (one)	765 \$
DCHB2	Heated backrest (two)	1 049 \$



Heated backrest  
(s) keypad

## Color chart

Oceania products color				Equivalents*	
Code	Color	Acrylic code	Lucite	Kohler	American Standard
<b>01</b>	<b>White</b>	WT6064	White	White	
<b>02</b>	<b>Biscuit</b>	BN6528	Biscuit	Biscuit	Linen
<b>48</b>	<b>Black</b>	BK6252	Black		

\*Equivalents correspond to Lucite, Kohler and American Standard matching Oceania products colors

### Special acrylic colors for alcove and deck-mounted bathtubs

Code	Description	Price
<b>INT02</b>	Interior BISCUIT	1 609 \$
<b>INT48</b>	Interior BLACK	1 609 \$

Non-returnable products

### Special acrylic colors and finishes for freestanding bathtubs EXTERIOR(skirt).

Code	Description	Price
<b>EXT01M</b>	Exterior matte WHITE	1 487 \$
<b>EXT48</b>	Exterior BLACK glossy acrylic	1 609 \$
<b>EXT48M*</b>	Exterior matte BLACK	1 609 \$
<b>INT-EXT01M</b>	INTERIOR and EXTERIOR matte WHITE	1 812 \$
<b>EXTXXM*</b>	Exterior matte CUSTOM COLOR <sup>†</sup>	1 609 \$

Non-returnable products

\*This finish is covered by a 1-year warranty against all manufacturing defects.

<sup>†</sup>Benjamin Moore color code required (only Benjamin Moore accepted)

## Return of goods policy

Return of goods for repair, warranty claims, credit or any other reason will not be accepted without a RETURN GOODS AUTHORIZATION (RGA) number. Such number can be obtained from the Oceania Baths Customer Care Team upon request, provided that all of the necessary information is available regarding the proposed return. Defective goods will be repaired, replaced or credited, at the discretion of Oceania Baths, at no additional charge.

A 10% inspection and repackaging fee applies on all returns, plus a minimum of 15% restocking charge applies to all non-defective products returned for credit within the first 60 days after purchase. Thereafter, a larger restocking charge will be applied based upon the date of original shipment. Products will not be accepted for return 120 days after their original ship date. Oceania Baths additionally reserves the right to impose a repair charge when products are returned damaged and cannot be directly resold.

RGA will be issued on acrylic white products only and without special finishes.

Below items are NOT RETURNABLE:

- Any bathtub equipped with any type of system, chromatherapy, aluminum tile flange and/or linear overflow.
- Any product that is any other color than acrylic white or with special finishes
- Any Optimale configuration
- Any discontinued product

All items to be returned must be sent back to Oceania Baths via pre-paid freight, with the RETURN GOODS AUTHORIZATION (RGA) form on the carton or with the packing slip. No freight collect shipments will be accepted as well as unauthorized returns.

It is the shipper's responsibility to provide adequate packaging to protect the product being returned. Oceania Baths reserves the right to accept or reject the returned product subject to an inspection upon receipt. Products that are returned damaged will be rejected and therefore will not qualify for return credit.

The following chart defines the inspection and minimum restocking charge that will be applied for goods accepted for return by Oceania Baths. It does not include any additional charge that may apply for damaged products or those needing rework.

Inspection and repackaging fees (Applies to all returns)	10%
<b>DAYS SINCE SHIPPING</b>	<b>RESTOCKING CHARGE</b>
0-60	15%
60-120	30%
121+	RETURNS NOT ACCEPTED

### Special note for shower doors

Shower doors packaging must be impeccable to justify a credit. A flat rate of 20% for inspection and restocking will be charged. If the door box is damaged, if parts are missing or damaged, no credit will be issued.

If you have any questions concerning this return policy please contact Oceania Baths Customer Care Team at 1-877-332-4224.