

2024

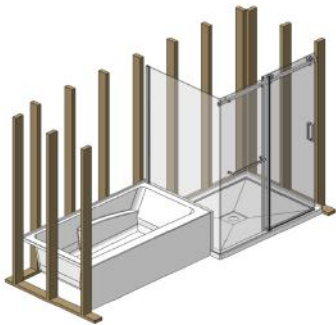
PRICE  
LIST  
USA



oceania.

# Bath index

Bath name	Dimensions	Shape*	Seat(s)	Alcove	Drop-in	Undermount	Freestanding	Low profile	Tile flange	Front skirt	Air System	Water Depth		
												Regular	overflow	Linear
<b>Tahoe 55</b>	55x31x23						✓		NA	NA	✓	NA	15 3/4" 40 cm	47
<b>Chilko 57</b>	57x34x23						✓		NA	NA	✓	NA	15 1/4" 39 cm	5
<b>Minto 59</b>	59x32x22						✓		NA	NA	✓	NA	16 1/8" 41 cm	22
<b>Unity 28</b>	60x28x22			✓					I	O	✓	15 1/2" 39 cm	16 1/2" 42 cm	49
<b>Viele 28</b>	60x28x21			✓					I	O	✓	NA	15 1/2" 39 cm	55
<b>City6030</b> Textured floor	60x30x18			✓					I	I	✓	13" 33 cm	14" 35 cm	7
<b>Pure 603016</b>	60x30x16			✓					I	I		11 1/2" 29 cm	12 1/2" 32 cm	26
<b>Pure 6030</b>	60x30x18			✓					I	I	✓	13" 33 cm	14" 35 cm	25
<b>Viele 6030</b>	60x30x21			✓	✓	✓		✓	O	O	✓	NA	15 1/2" 39 cm	56
<b>Unity 30</b>	60x30x22			✓	✓	✓		✓	O	O	✓	15 1/2" 39 cm	16 1/2" 42 cm	50
<b>Sublime 6030</b>	60x30x22			✓					I	O	✓	15 3/4" 40 cm	16 3/4" 43 cm	35
<b>Urbania 6031</b>	60x31x17,5			✓**					I	I		11 7/8" 28 cm	12 7/8" 30 cm	51
<b>Loft 6031</b>	60x31x22			✓**					I	I	✓	14 1/2" 37 cm	15 1/2" 39 cm	14
<b>Suite 6031</b>	60x31x22			✓**					I	I	✓	14 1/2" 37 cm	15 1/2" 39 cm	39
<b>City 6032</b> Textured floor	60x32x18			✓					I	I	✓	13" 33 cm	14" 35 cm	8
<b>Pure 6032</b>	60x32x18			✓					I	I	✓	13" 33 cm	14" 35 cm	27
<b>Viele 6032</b>	60x32x21			✓	✓	✓		✓	O	O	✓	NA	15 1/2" 39 cm	56



### Optimale Series

Please refer to the following address for available configurations and list prices.

<https://optimale.globalsecuresystem.com/us>

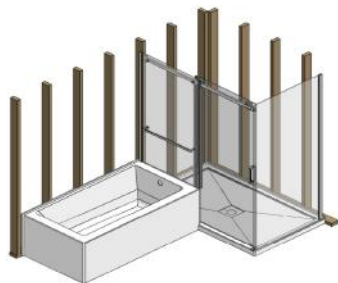
\*Drawings are for reference only and may not be to scale.

\*\*Other possible configurations.

I = Integrated O = Optional NA = Not available

# Bath index

Bath name	Dimensions	Shape*	Seat(s)	Alcove	Drop-in	Undermount	Freestanding	Low profile	Tile flange	Front skirt	Air System	Water Depth			page
												Regular	overflow	Linear	
<b>Sublime 6032</b>	60x32x22			✓	✓	✓		✓	O	O	✓	15 3/4" 40 cm	16 3/4" 43 cm	36	
<b>Unity 32</b>	60x32x22			✓	✓	✓		✓	O	O	✓	15 1/2" 39 cm	16 1/2" 42 cm	50	
<b>Rose 60</b>	60x35x21				✓	✓			NA	NA	✓	15" 38 cm	NA	29	
<b>Viele 6036</b>	60x36x21			✓	✓	✓		✓	O	O	✓	NA	15 1/2" 39 cm	57	
<b>Rupert</b>	62x34x22						✓		NA	NA	✓	NA	16 3/4" 43 cm	30	
<b>Sikome</b>	63x31x28						✓		NA	NA	✓	NA	15 3/4" 40 cm	32	
<b>Chilko 64</b>	64x36x22						✓		NA	NA	✓	NA	15 1/2" 39 cm	6	
<b>Minto 65</b>	65x34x22						✓		NA	NA		NA	16 1/8" 41 cm	22	
<b>Rose 65</b>	65x35x21				✓	✓			NA	NA	✓	15" 38 cm	NA	29	
<b>Primrose 65</b>	65x30x27						✓		NA	NA	✓	NA	16 3/8" 41 cm	24	
<b>Suite 6631</b>	66x31x22			✓**					I	I	✓	14 1/2" 37 cm	15 1/2" 39 cm	43	
<b>Loft 6631</b>	66x31x22			✓**					I	I	✓	14 1/2" 37 cm	15 1/2" 39 cm	18	
<b>Viele 6632</b>	66x32x21			✓	✓	✓		✓	O	O	✓	NA	15 1/2" 39 cm	57	
<b>Pure 66</b>	66x32x18			✓					I	I	✓	13" 33 cm	14" 35 cm	28	
<b>Sublime 6632</b>	66x32x21,5			✓					I	O	✓	15" 38 cm	16" 41 cm	37	
<b>City 66</b> Textured floor	66x34x20,5			✓					I	I	✓	14 1/2" 37 cm	15 1/2" 39 cm	9	
<b>Sublime 6634</b>	66x34x21			✓	✓	✓			O	O	✓	15" 38 cm	16" 41 cm	38	
<b>Kelowna</b>	66x34x22						✓		NA	NA	✓	NA	15" 38 cm	10	



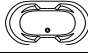



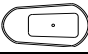









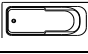

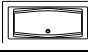





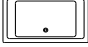

**Optimale Series**  
Please refer to the following address for available configurations and list prices.  
<https://optimale.globalsecuresystem.com/us>

\*Drawings are for reference only and may not be to scale.

\*\*Other possible configurations.

I = Integrated O = Optional NA = Not available

# Bath index

Bath name	Dimensions	Shape*	Seat(s)	Alcove	Drop-in	Undermount	Freestanding	Low profile	Tile flange	Front skirt	Air System	Water Depth			page
												Regular	overflow	Linear	
<b>Sophia 66</b>	66x36x23,5				✓	✓	✓		NA	NA	✓	17 1/8" 43,5 cm	18 1/8" 46 cm		33
<b>Tahoe 66</b>	66 x 36 x 25				✓	✓	✓		NA	NA	✓	NA	18" 46 cm		48
<b>Muskoka</b>	67x36x22						✓		NA	NA	✓	NA	15 1/4" 39 cm		23
<b>Primrose 70</b>	70x36x27						✓		NA	NA	✓	NA	16 3/8" 41 cm		24
<b>Legende</b>	71x41,5x24				✓		✓		NA	NA	✓	17 1/2" 44 cm	18 1/2" 47 cm		11
<b>Viele 7232</b>	72x32x21			✓	✓	✓		✓	O	O	✓	NA	15 1/2" 39 cm		58
<b>Liberty</b>	72x32x22			✓	✓	✓		✓	O	O	✓	15 1/2" 39 cm	16 1/2" 42 cm		12
<b>Liberty Relax</b>	72x32x22			✓	✓	✓		✓	O	O	✓	15 1/2" 39 cm	16 1/2" 42 cm		13
<b>Freedom</b>	72x36x21			✓	✓	✓		✓	O	O	✓	15 1/2" 39 cm	16 1/2" 42 cm		10
<b>Viele 7236</b>	72x36x21			✓	✓	✓		✓	O	O	✓	NA	15 1/2" 39 cm		58
<b>Sophia 72</b>	72x41,5x23				✓	✓			NA	NA	✓	17 1/4" 44 cm	18 1/4" 46 cm		34
<b>Nature</b>	74x42x23				✓	✓			O	O	✓	17 1/4" 44 cm	18 1/4" 46 cm		23

## Table of contents for other sections

	Page
Tile flanges for baths	59
Corner showers	60
Shower bases and doors	61
Shower bases without flanges and doors	66
Shower Base Screens	67
Bath Screens	68
HYDRIA bathtub doors	68
Shower doors	69
Doors dimensions	72
Drains and overflows	74
General options	76
Color chart	77
Return of goods policy	79

\*Drawings are for reference only and may not be to scale.

\*\*Other possible configurations.

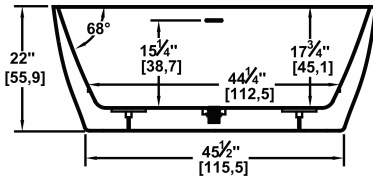
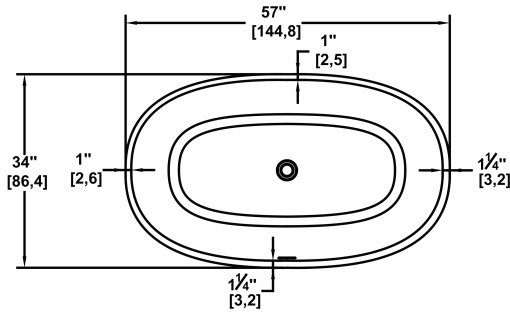
I = Integrated O = Optional NA = Not available

## Chilko 57 Freestanding

### One-piece freestanding bath

57" x 34" x 22" [144,8 cm x 86,4 cm x 55,9 cm]  
48 IMP Gal. / 62.60 US Gal. / 218.20 Liters

#### Authentik Signature Series



Complete Technical specifications at [www.oceania-attitude.com](http://www.oceania-attitude.com) will prevail at all times

#### Retail price

Product Code	Model	Price
<b>CH57</b>	Soaker	<b>4,281 \$</b>
<b>Not available</b>	Comfort air™	<b>N/A</b>
<b>CH57AM</b>	AeroMassage™	<b>8,060 \$</b>
<b>Not available</b>	Super AeroMassage™	<b>N/A</b>
<b>Not available</b>	Linear cutout	<b>N/A</b>

Standard color : White(01)

Returns accepted on white product only

#### Options\*\*

	Code	Add
Glossy black acrylic exterior	EXT48	1532 \$
Exterior MATTE WHITE acrylic	EXT01M	1415 \$
Exterior MATTE CUSTOM COLOR	EXTXXM	2371 \$
Interior/Exterior MATTE WHITE acrylic	INT-EXT01M	1725 \$
Special Exterior Finish see Page 73	SWXX	2963 \$
Drain cover - Chrome	INF114	184 \$
Drain cover - White	INF101	0 \$
Drain cover - Matte Black	INF148M	184 \$
Chromatherapy lights	MLC	1145 \$
Floor drain for freestanding baths	FBQD	396 \$

**WARNING: The interior is available in white only.**

*Default exterior finish : white acrylic. The overflow is factory installed, the chrome drain is included but not installed. When ordered with AeroMassage, blower must be remote mounted. If system, delivered with keypad not installed and remote control is included. The Chromatherapy option is only available with the AeroMassage option.*

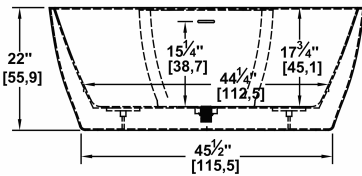
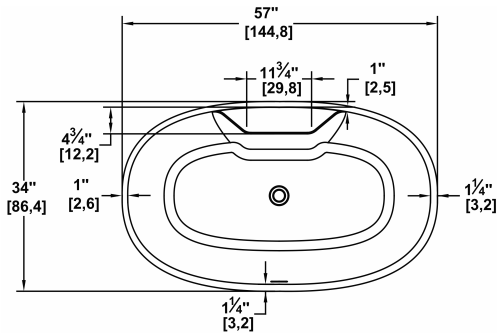
**\*\*See the options chart on pages 70 to 73 of this document for all available colors and finishes**

## Chilko 57 deck mount faucets

### One-piece freestanding bath

57" x 34" x 22" [144,8 cm x 86,4 cm x 55,9 cm]  
46 IMP Gal. / 60.00 US Gal. / 209.10 Liters

#### Authentik Signature Series



Complete Technical specifications at [www.oceania-attitude.com](http://www.oceania-attitude.com) will prevail at all times

#### Retail price

Product Code	Model	Price
<b>CH57DMF</b>	Soaker	<b>4,281 \$</b>
<b>Not available</b>	Comfort air™	<b>N/A</b>
<b>CH57DMFAM</b>	AeroMassage™	<b>8,060 \$</b>
<b>Not available</b>	Super AeroMassage™	<b>N/A</b>
<b>Not available</b>	Linear cutout	<b>N/A</b>

Standard color : White(01)

Returns accepted on white product only

#### Options\*\*

	Code	Add
Glossy black acrylic exterior	EXT48	1532 \$
Exterior MATTE WHITE acrylic	EXT01M	1415 \$
Exterior MATTE CUSTOM COLOR	EXTXXM	2371 \$
Interior/Exterior MATTE WHITE acrylic	INT-EXT01M	1725 \$
Special Exterior Finish see Page 73	SWXX	2963 \$
Drain cover - Chrome	INF114	184 \$
Drain cover - White	INF101	0 \$
Drain cover - Matte Black	INF148M	184 \$
Chromatherapy lights	MLC	1145 \$
Floor drain for freestanding baths	FBQD	396 \$

**WARNING: The interior is available in white only.**

*Default exterior finish : white acrylic. The overflow is factory installed, the chrome drain is included but not installed. When ordered with AeroMassage, blower must be remote mounted. If system, delivered with keypad not installed and remote control is included. The Chromatherapy option is only available with the AeroMassage option.*

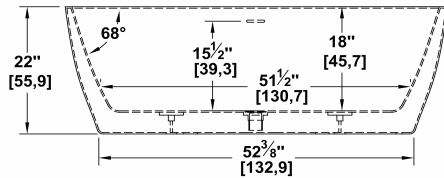
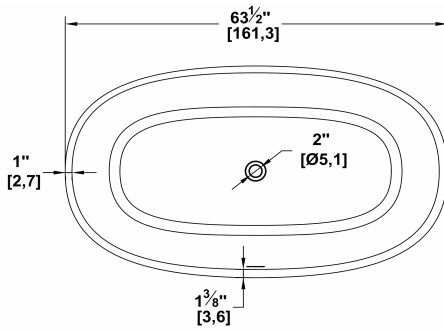
**\*\*See the options chart on pages 70 to 73 of this document for all available colors and finishes**

# Chilko 64 Freestanding

## One-piece freestanding bath

64" x 36.5" x 22" [162,6 cm x 92,7 cm x 55,9 cm]  
55 IMP Gal. / 71.70 US Gal. / 250.00 Liters

### Authentik Signature Series



Complete Technical specifications at [www.oceania-attitude.com](http://www.oceania-attitude.com) will prevail at all times

#### Retail price

Product Code	Model	Price
<b>CH64</b>	Soaker	<b>4,368 \$</b>
<b>Not available</b>	Comfort air™	<b>N/A</b>
<b>CH64AM</b>	AeroMassage™	<b>8,137 \$</b>
<b>Not available</b>	Super AeroMassage™	<b>N/A</b>
<b>Not available</b>	Linear cutout	<b>N/A</b>

Standard color : White(01)

Returns accepted on white product only

#### Options\*\*

	Code	Add
Glossy black acrylic exterior	EXT48	1532 \$
Exterior MATTE WHITE acrylic	EXT01M	1415 \$
Exterior MATTE CUSTOM COLOR	EXTXXM	2371 \$
Interior/Exterior MATTE WHITE acrylic	INT-EXT01M	1725 \$
Special Exterior Finish see Page 73	SWXX	2963 \$
Drain cover - Chrome	INF114	184 \$
Drain cover - White	INF101	0 \$
Drain cover - Matte Black	INF148M	184 \$
Chromatherapy lights	MLC	1145 \$
Floor drain for freestanding baths	FBQD	396 \$

**WARNING: The interior is available in white only.**

*Default exterior finish : white acrylic. The overflow is factory installed, the chrome drain is included but not installed. When ordered with AeroMassage, blower must be remote mounted. If system, delivered with keypad not installed and remote control is included. The Chromatherapy option is only available with the AeroMassage option.*

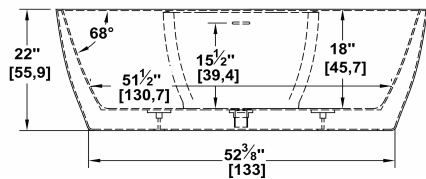
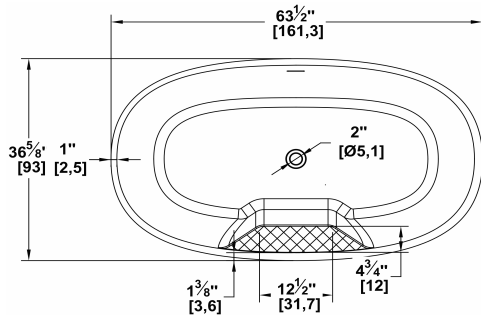
**\*\*See the options chart on pages 70 to 73 of this document for all available colors and finishes**

# Chilko 64 deck mount faucets

## One-piece freestanding bath

64" x 36.5" x 22" [162,6 cm x 92,7 cm x 55,9 cm]  
52 IMP Gal. / 67.80 US Gal. / 236.40 Liters

### Authentik Signature Series



Complete Technical specifications at [www.oceania-attitude.com](http://www.oceania-attitude.com) will prevail at all times

#### Retail price

Product Code	Model	Price
<b>CH64DMF</b>	Soaker	<b>4,368 \$</b>
<b>Not available</b>	Comfort air™	<b>N/A</b>
<b>CH64DMFAM</b>	AeroMassage™	<b>8,137 \$</b>
<b>Not available</b>	Super AeroMassage™	<b>N/A</b>
<b>Not available</b>	Linear cutout	<b>N/A</b>

Standard color : White(01)

Returns accepted on white product only

#### Options\*\*

	Code	Add
Glossy black acrylic exterior	EXT48	1532 \$
Exterior MATTE WHITE acrylic	EXT01M	1415 \$
Exterior MATTE CUSTOM COLOR	EXTXXM	2371 \$
Interior/Exterior MATTE WHITE acrylic	INT-EXT01M	1725 \$
Special Exterior Finish see Page 73	SWXX	2963 \$
Drain cover - Chrome	INF114	184 \$
Drain cover - White	INF101	0 \$
Drain cover - Matte Black	INF148M	184 \$
Chromatherapy lights	MLC	1145 \$
Floor drain for freestanding baths	FBQD	396 \$

**WARNING: The interior is available in white only.**

*Default exterior finish : white acrylic. The overflow is factory installed, the chrome drain is included but not installed. When ordered with AeroMassage, blower must be remote mounted. If system, delivered with keypad not installed and remote control is included. The Chromatherapy option is only available with the AeroMassage option.*

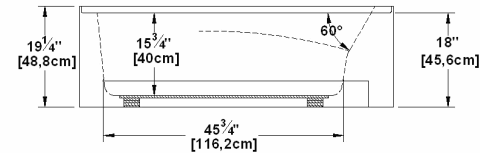
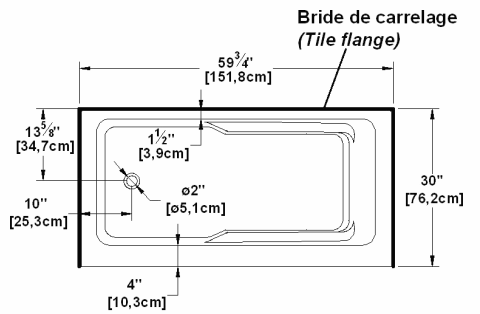
**\*\*See the options chart on pages 70 to 73 of this document for all available colors and finishes**

## City 6030 (left hand drain)

Textured floor, integrated front skirt

60" x 30" x 18" [152,4 cm x 76,2 cm x 45,7 cm]  
33 IMP Gal. / 43.00 US Gal. / 150.00 Liters

Alcove installation, flanges on 3 sides



Complete Technical specifications at [www.oceania-attitude.com](http://www.oceania-attitude.com) will prevail at all times

Retail price

Product Code	Model	Price
<b>CI6030L</b>	Soaker	<b>1,762 \$</b>
<b>CI6030LCA</b>	Comfort air™	<b>4,757 \$</b>
<b>CI6030LAM</b>	AeroMassage™	<b>5,915 \$</b>
<b>Not available</b>	Super AeroMassage™	<b>N/A</b>
<b>CI6030LLI</b>	Linear cutout	<b>1,762 \$</b>

Standard color : White(01)

Returns accepted on white product only

Options\*\*

	Code	Add
White acrylic grab bar (each)	G01	216 \$
Acrylic Biscuit Color	INT02	1532 \$
Acrylic Black Color	INT48	1532 \$
No front skirt, cut at 2" high	JC2	0 \$
Chromatherapy lights	MLC	1145 \$
White floating remote control	RC01	593 \$
Chrome Linear overflow and drain	BDW-114	359 \$
Drain & Overflow PVC / Chromed brass	WOCO14	371 \$

Integrated acrylic tile flanges. If system, delivered with keypad not installed. Only one grab bar can be factory installed.

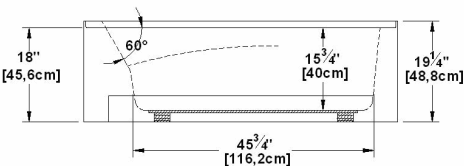
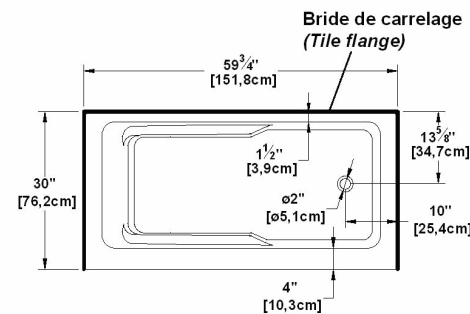
\*\*See the options chart on pages 70 to 73 of this document for all available colors and finishes

## City 6030 (right hand drain)

Textured floor, integrated front skirt

60" x 30" x 18" [152,4 cm x 76,2 cm x 45,7 cm]  
33 IMP Gal. / 43.00 US Gal. / 150.00 Liters

Alcove installation, flanges on 3 sides



Complete Technical specifications at [www.oceania-attitude.com](http://www.oceania-attitude.com) will prevail at all times

Retail price

Product Code	Model	Price
<b>CI6030R</b>	Soaker	<b>1,762 \$</b>
<b>CI6030RCA</b>	Comfort air™	<b>4,757 \$</b>
<b>CI6030RAM</b>	AeroMassage™	<b>5,915 \$</b>
<b>Not available</b>	Super AeroMassage™	<b>N/A</b>
<b>CI6030RLI</b>	Linear cutout	<b>1,762 \$</b>

Standard color : White(01)

Returns accepted on white product only

Options\*\*

	Code	Add
White acrylic grab bar (each)	G01	216 \$
Acrylic Biscuit Color	INT02	1532 \$
Acrylic Black Color	INT48	1532 \$
No front skirt, cut at 2" high	JC2	0 \$
Chromatherapy lights	MLC	1145 \$
White floating remote control	RC01	593 \$
Chrome Linear overflow and drain	BDW-114	359 \$
Drain & Overflow PVC / Chromed brass	WOCO14	371 \$

Integrated acrylic tile flanges. If system, delivered with keypad not installed. Only one grab bar can be factory installed.

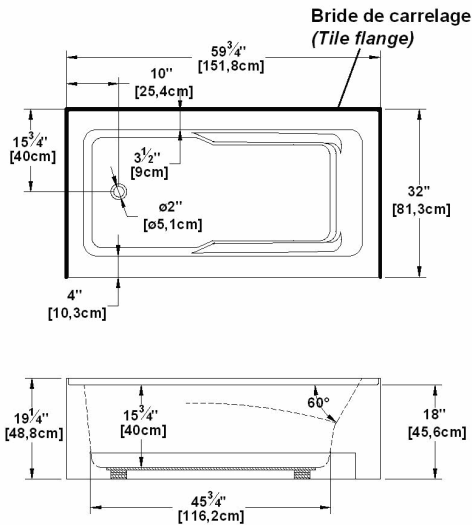
\*\*See the options chart on pages 70 to 73 of this document for all available colors and finishes

## City 6032 (left hand drain)

Textured floor, integrated front skirt

60" x 32" x 18" [152,4 cm x 76,2 cm x 45,7 cm]  
33 IMP Gal. / 43.00 US Gal. / 150.00 Liters

Alcove installation, flanges on 3 sides



Complete Technical specifications at [www.oceania-attitude.com](http://www.oceania-attitude.com) will prevail at all times

Retail price

Product Code	Model	Price
<b>CI60L</b>	Soaker	<b>1,762 \$</b>
<b>CI60LCA</b>	Comfort air™	<b>4,757 \$</b>
<b>CI60LAM</b>	AeroMassage™	<b>5,915 \$</b>
<b>Not available</b>	Super AeroMassage™	<b>N/A</b>
<b>CI60LLI</b>	Linear cutout	<b>1,762 \$</b>

Standard color : White(01)

Returns accepted on white product only

Options\*\*

	Code	Add
White acrylic grab bar (each)	G01	216 \$
Acrylic Biscuit Color	INT02	1532 \$
Acrylic Black Color	INT48	1532 \$
No front skirt, cut at 2" high	JC2	0 \$
Chromatherapy lights	MLC	1145 \$
White floating remote control	RC01	593 \$
Chrome Linear overflow and drain	BDW-114	359 \$
Drain & Overflow PVC / Chromed brass	WOCO14	371 \$

Integrated acrylic tiles flanges. If system, delivered with keypad not installed. Only one grab bar can be factory installed.

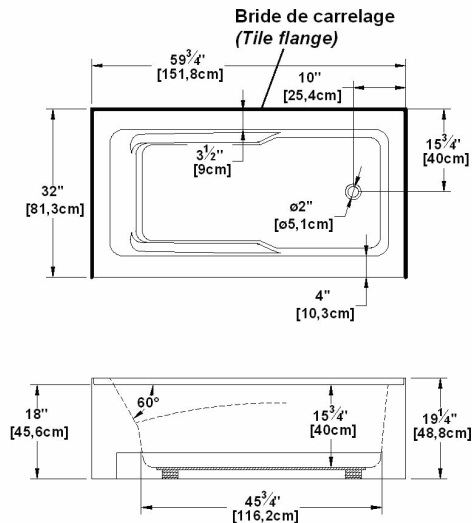
\*\*See the options chart on pages 70 to 73 of this document for all available colors and finishes

## City 6032 (right hand drain)

Textured floor, integrated front skirt

60" x 32" x 18" [152,4 cm x 76,2 cm x 45,7 cm]  
33 IMP Gal. / 43.00 US Gal. / 150.00 Liters

Alcove installation, flanges on 3 sides



Complete Technical specifications at [www.oceania-attitude.com](http://www.oceania-attitude.com) will prevail at all times

Retail price

Product Code	Model	Price
<b>CI60R</b>	Soaker	<b>1,762 \$</b>
<b>CI60RCA</b>	Comfort air™	<b>4,757 \$</b>
<b>CI60RAM</b>	AeroMassage™	<b>5,915 \$</b>
<b>Not available</b>	Super AeroMassage™	<b>N/A</b>
<b>CI60RLI</b>	Linear cutout	<b>1,762 \$</b>

Standard color : White(01)

Returns accepted on white product only

Options\*\*

	Code	Add
White acrylic grab bar (each)	G01	216 \$
Acrylic Biscuit Color	INT02	1532 \$
Acrylic Black Color	INT48	1532 \$
No front skirt, cut at 2" high	JC2	0 \$
Chromatherapy lights	MLC	1145 \$
White floating remote control	RC01	593 \$
Chrome Linear overflow and drain	BDW-114	359 \$
Drain & Overflow PVC / Chromed brass	WOCO14	371 \$

Integrated acrylic tiles flanges. If system, delivered with keypad not installed. Only one grab bar can be factory installed.

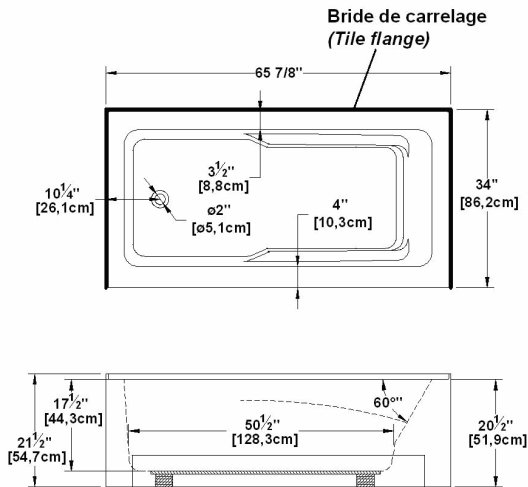
\*\*See the options chart on pages 70 to 73 of this document for all available colors and finishes

## City 66 (left hand drain)

Alcove installation, flanges on 3 sides

Textured floor, integrated front skirt

66" x 34" x 20.5" [167,6 cm x 86,4 cm x 52,1 cm]  
57 IMP Gal. / 74.30 US Gal. / 259.10 Liters



Complete Technical specifications at [www.oceania-attitude.com](http://www.oceania-attitude.com) will prevail at all times

### Retail price

Product Code	Model	Price
<b>CI66L</b>	Soaker	<b>2,312 \$</b>
<b>CI66LCA</b>	Comfort air™	<b>5,420 \$</b>
<b>CI66LAM</b>	AeroMassage™	<b>6,636 \$</b>
<b>CI66LSA</b>	Super AeroMassage™	<b>7,674 \$</b>
<b>CI66LLI</b>	Linear cutout	<b>2,312 \$</b>

Standard color : White(01)

Returns accepted on white product only

### Options\*\*

	Code	Add
White acrylic grab bar (each)	G01	216 \$
Acrylic Biscuit Color	INT02	1532 \$
Acrylic Black Color	INT48	1532 \$
No front skirt, cut at 2" high	JC2	0 \$
Chromatherapy lights	MLC	1145 \$
White floating remote control	RC01	593 \$
Chrome Linear overflow and drain	BDW-114	359 \$
Drain & Overflow PVC / Chromed brass	WOCO14	371 \$

*Integrated acrylic tiles flanges. If system, delivered with keypad not installed. Only one grab bar can be factory installed.*

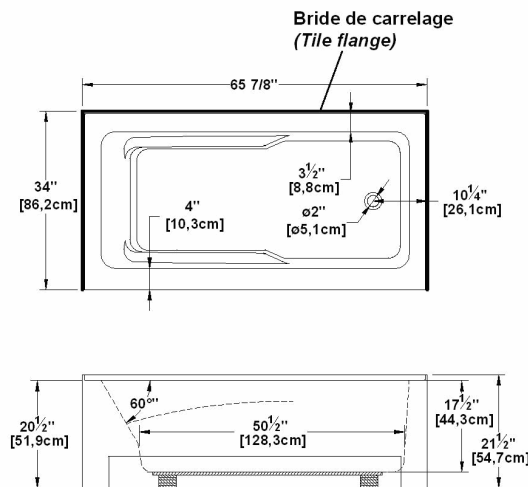
*\*\*See the options chart on pages 70 to 73 of this document for all available colors and finishes*

## City 66 (right hand drain)

Alcove installation, flanges on 3 sides

Textured floor, integrated front skirt

66" x 34" x 20.5" [167,6 cm x 86,4 cm x 52,1 cm]  
57 IMP Gal. / 74.30 US Gal. / 259.10 Liters



Complete Technical specifications at [www.oceania-attitude.com](http://www.oceania-attitude.com) will prevail at all times

### Retail price

Product Code	Model	Price
<b>CI66R</b>	Soaker	<b>2,312 \$</b>
<b>CI66RCA</b>	Comfort air™	<b>5,420 \$</b>
<b>CI66RAM</b>	AeroMassage™	<b>6,636 \$</b>
<b>CI66RSA</b>	Super AeroMassage™	<b>7,674 \$</b>
<b>CI66RLI</b>	Linear cutout	<b>2,312 \$</b>

Standard color : White(01)

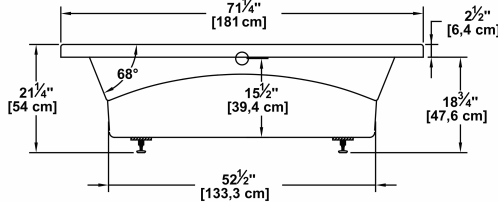
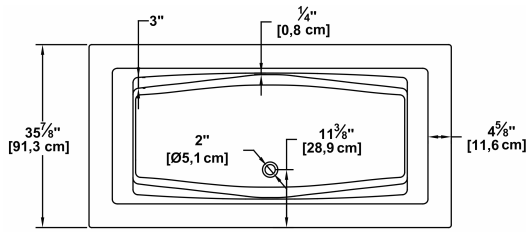
Returns accepted on white product only

### Options\*\*

	Code	Add
White acrylic grab bar (each)	G01	216 \$
Acrylic Biscuit Color	INT02	1532 \$
Acrylic Black Color	INT48	1532 \$
No front skirt, cut at 2" high	JC2	0 \$
Chromatherapy lights	MLC	1145 \$
White floating remote control	RC01	593 \$
Chrome Linear overflow and drain	BDW-114	359 \$
Drain & Overflow PVC / Chromed brass	WOCO14	371 \$

*Integrated acrylic tiles flanges. If system, delivered with keypad not installed. Only one grab bar can be factory installed.*

*\*\*See the options chart on pages 70 to 73 of this document for all available colors and finishes*



Complete Technical specifications at [www.oceania-attitude.com](http://www.oceania-attitude.com) will prevail at all times

Retail price

Product Code	Model	Price
<b>FR72AR</b>	Soaker	<b>3,152 \$</b>
<b>FR72ARCA</b>	Comfort air™	<b>5,307 \$</b>
<b>FR72ARAM</b>	AeroMassage™	<b>6,118 \$</b>
<b>FR72ARSA</b>	Super AeroMassage™	<b>8,105 \$</b>
<b>FR72ARLI</b>	Linear cutout	<b>3,152 \$</b>

Standard color : White(01)

Returns accepted on white product only

Options\*\*

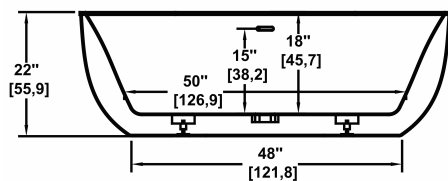
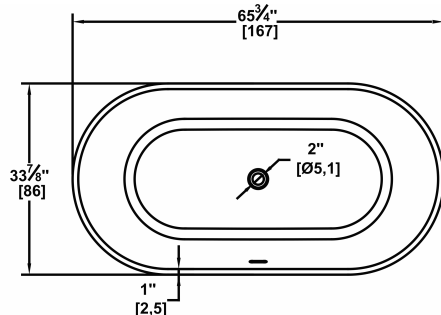
	Code	Add
White acrylic grab bar (each)	G01	216 \$
Acrylic Biscuit Color	INT02	1532 \$
Acrylic Black Color	INT48	1532 \$
Removable White Skirt Panel for 72" baths	JA72	1287 \$
Low-Profile bath lip	LP	329 \$
Chromatherapy lights	MLC	1145 \$
White floating remote control	RC01	593 \$
Tile flange for baths, see page 55	TF	228 \$
Chrome Linear overflow and drain	BDW-114	359 \$
Drain & Overflow PVC / Chromed brass	WOCO14	371 \$

Keypad supplied but not installed when ordered with tiles flanges or remote control.

\*\*See the options chart on pages 70 to 73 of this document for all available colors and finishes

Kelowna 66 Freestanding

Authentik Signature Series



Complete Technical specifications at [www.oceania-attitude.com](http://www.oceania-attitude.com) will prevail at all times

One-piece freestanding bath

66" x 34" x 22" [167,0 cm x 86,4 cm x 55,9 cm]  
0 IMP Gal. / 0.00 US Gal. / 0.00 Liters

Retail price

Product Code	Model	Price
<b>KE66</b>	Soaker	<b>4,704 \$</b>
<b>Not available</b>	Comfort air™	<b>N/A</b>
<b>KE66AM</b>	AeroMassage™	<b>8,599 \$</b>
<b>Not available</b>	Super AeroMassage™	<b>N/A</b>
<b>Not available</b>	Linear cutout	<b>N/A</b>

Standard color : White(01)

Returns accepted on white product only

Options\*\*

	Code	Add
Glossy black acrylic exterior	EXT48	1532 \$
Exterior MATTE WHITE acrylic	EXT01M	1415 \$
Exterior MATTE CUSTOM COLOR	EXTXXM	2371 \$
Interior/Exterior MATTE WHITE acrylic	INT-EXT01M	1725 \$
Drain cover - Chrome	INF114	184 \$
Drain cover - White	INF101	0 \$
Drain cover - Matte Black	INF148M	184 \$
Chromatherapy lights	MLC	1145 \$
Floor drain for freestanding baths	FBQD	396 \$

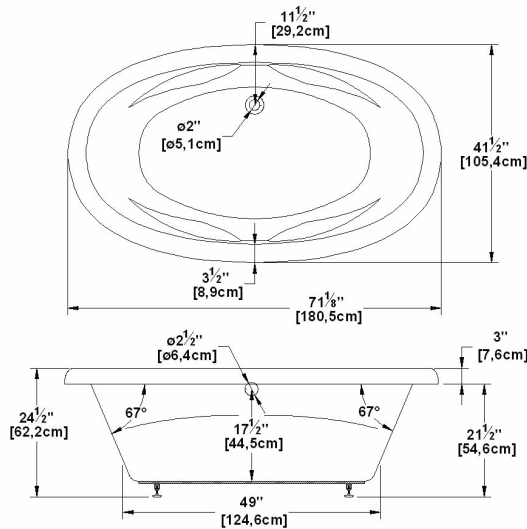
**WARNING: The interior is available in white only. SW option not available on this model.**

Default exterior finish : white acrylic. The overflow is factory installed, the drain is included but not installed. When ordered with AeroMassage, blower must be remote mounted. If system, delivered with keypad not installed and remote control is included. The Chromatherapy option is only available with the AeroMassage option.

\*\*See the options chart on pages 70 to 73 of this document for all available colors and finishes

# Legende

71" x 41.5" x 24" [180,3 cm x 105,4 cm x 61,0 cm]  
66 IMP Gal. / 86.10 US Gal. / 300.00 Liters



Complete Technical specifications at [www.oceania-attitude.com](http://www.oceania-attitude.com) will prevail at all times

### Retail price

Product Code	Model	Price
<b>LE42</b>	Soaker	<b>3,152 \$</b>
<b>Not available</b>	Comfort air™	<b>N/A</b>
<b>LE42AM</b>	AeroMassage™	<b>5,962 \$</b>
<b>LE42SA</b>	Super AeroMassage™	<b>7,460 \$</b>
<b>LE42LI</b>	Linear cutout	<b>3,152 \$</b>

Standard color : White(01)

Returns accepted on white product only

### Options\*\*

	Code	Add
White acrylic grab bar (each)	G01	216 \$
Acrylic Biscuit Color	INT02	1532 \$
Acrylic Black Color	INT48	1532 \$
Chromatherapy lights	MLC	1145 \$
Chrome Linear overflow and drain	BDW-114	359 \$
Drain & Overflow PVC / Chromed brass	WOCO14	371 \$

**WARNING: Faucets must be installed on the wall or floor (not on bath).**

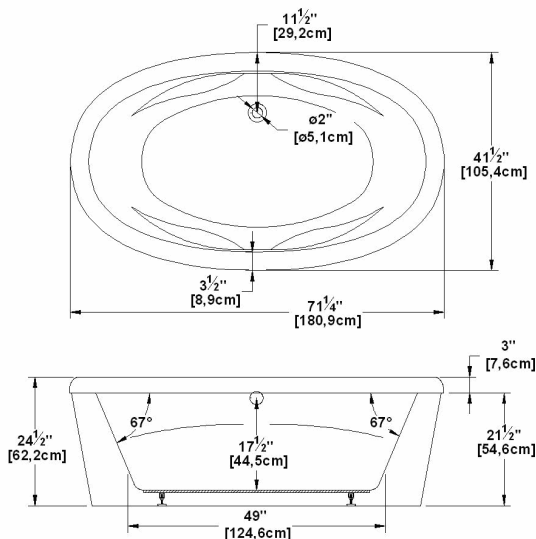
*If equipped with an air bath system, delivered with keypad not installed and remote control is included.  
The Chromatherapy option is only available with the AeroMassage and Super AeroMassage options.*

**\*\*See the options chart on pages 70 to 73 of this document for all available colors and finishes**

# Legende Freestanding

without pedestal

71" x 41.5" x 24" [180,3 cm x 105,4 cm x 61,0 cm]  
66 IMP Gal. / 86.10 US Gal. / 300.00 Liters



Complete Technical specifications at [www.oceania-attitude.com](http://www.oceania-attitude.com) will prevail at all times

### Retail price

Product Code	Model	Price
<b>LE42FS</b>	Soaker	<b>5,775 \$</b>
<b>Not available</b>	Comfort air™	<b>N/A</b>
<b>LE42FSAM</b>	AeroMassage™	<b>7,913 \$</b>
<b>LE42FSSA</b>	Super AeroMassage™	<b>9,153 \$</b>
<b>LE42FSLI</b>	Linear cutout	<b>5,775 \$</b>

Standard color : White(01)

Returns accepted on white product only

### Options\*\*

	Code	Add
White acrylic grab bar (each)	G01	216 \$
Glossy black acrylic exterior	EXT48	1532 \$
Chromatherapy lights	MLC	1145 \$
White floating remote control	RC01	593 \$
Floor drain for freestanding baths	FBQD	396 \$
Chrome Linear overflow and drain	BDW-114	359 \$
Flexible Drain & Overflow / Chromed brass	WOCOSBS14	590 \$

**WARNING: Faucets must be installed on the wall or floor (not on bath). The interior is available in white only.**

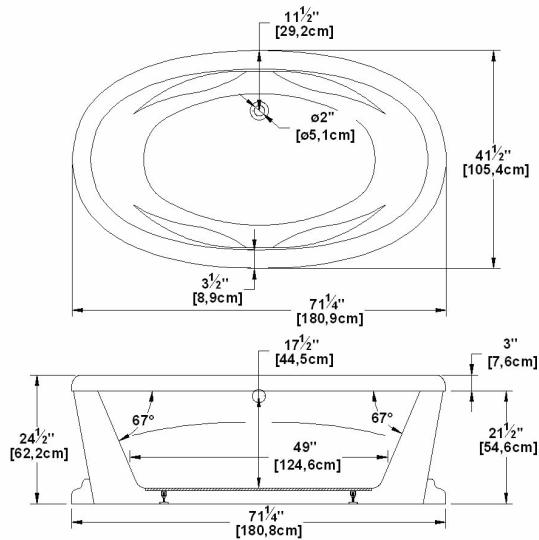
*Default exterior finish : white acrylic. Over-flow must be installed with flexible piping. If equipped with an air bath system, delivered with keypad not installed and remote control is included.  
The Chromatherapy option is only available with the AeroMassage and Super AeroMassage options.*

**\*\*See the options chart on pages 70 to 73 of this document for all available colors and finishes**

# Legende Freestanding

71" x 41.5" x 24" [180,3 cm x 105,4 cm x 61,0 cm]  
66 IMP Gal. / 86.10 US Gal. / 300.00 Liters

with pedestal



Complete Technical specifications at [www.oceania-attitude.com](http://www.oceania-attitude.com) will prevail at all times

## Retail price

Product Code	Model	Price
LE42PD	Soaker	6,432 \$
Not available	Comfort air™	N/A
LE42PDAM	AeroMassage™	8,507 \$
LE42PDSA	Super AeroMassage™	9,751 \$
LE42PDLI	Linear cutout	6,432 \$

Standard color : White(01)

Returns accepted on white product only

## Options\*\*

	Code	Add
White acrylic grab bar (each)	G01	216 \$
Chromatherapy lights	MLC	1145 \$
White floating remote control	RC01	593 \$
Floor drain for freestanding baths	FBQD	396 \$
Chrome Linear overflow and drain	BDW-114	359 \$
Flexible Drain & Overflow / Chromed brass	WOCOSBS14	590 \$

**WARNING: Faucets must be installed on the wall or floor (not on bath). Available in white only.**

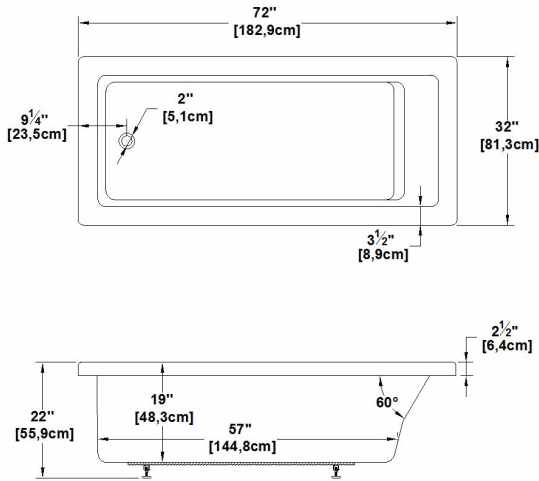
**Over-flow must be installed with flexible piping. If equipped with an air bath system, delivered with keypad not installed and remote control is included.**

**The Chromatherapy option is only available with the AeroMassage and Super AeroMassage options.**

**\*\*See the options chart on pages 70 to 73 of this document for all available colors and finishes**

# Liberty

72" x 32" x 22" [182,9 cm x 81,3 cm x 55,9 cm]  
58 IMP Gal. / 75.70 US Gal. / 263.70 Liters



Complete Technical specifications at [www.oceania-attitude.com](http://www.oceania-attitude.com) will prevail at all times

## Retail price

Product Code	Model	Price
LI72	Soaker	3,208 \$
LI72CA	Comfort air™	5,239 \$
LI72AM	AeroMassage™	6,233 \$
LI72SA	Super AeroMassage™	7,224 \$
LI72LI	Linear cutout	3,208 \$

Standard color : White(01)

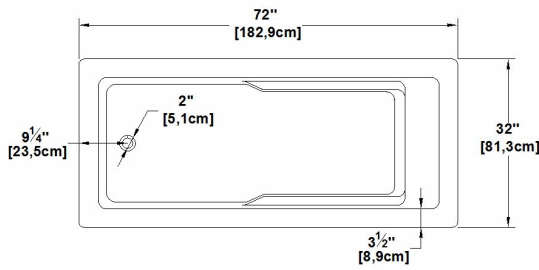
Returns accepted on white product only

## Options\*\*

	Code	Add
White acrylic grab bar (each)	G01	216 \$
Acrylic Biscuit Color	INT02	1532 \$
Acrylic Black Color	INT48	1532 \$
Removable White Skirt Panel for 72" baths	JA72	1287 \$
Low-Profile bath lip	LP	329 \$
Chromatherapy lights	MLC	1145 \$
White floating remote control	RC01	593 \$
Tile flange for baths, see page 55	TF	228 \$
Chrome Linear overflow and drain	BDW-114	359 \$
Drain & Overflow PVC / Chromed brass	WOCO14	371 \$

**Keypad supplied but not installed when ordered with tile flanges or remote control.**

**\*\*See the options chart on pages 70 to 73 of this document for all available colors and finishes**

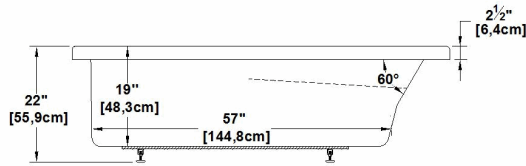


Retail price

Product Code	Model	Price
LC72	Soaker	3,208 \$
LC72CA	Comfort air™	5,239 \$
LC72AM	AeroMassage™	6,233 \$
LC72SA	Super AeroMassage™	7,224 \$
LC72LI	Linear cutout	3,208 \$

Standard color : White(01)

Returns accepted on white product only



Complete Technical specifications at [www.oceania-attitude.com](http://www.oceania-attitude.com) will prevail at all times

Options\*\*

	Code	Add
White acrylic grab bar (each)	G01	216 \$
Acrylic Biscuit Color	INT02	1532 \$
Acrylic Black Color	INT48	1532 \$
Removable White Skirt Panel for 72" baths	JA72	1287 \$
Low-Profile bath lip	LP	329 \$
Chromatherapy lights	MLC	1145 \$
White floating remote control	RC01	593 \$
Tile flange for baths, see page 55	TF	228 \$
Chrome Linear overflow and drain	BDW-114	359 \$
Drain & Overflow PVC / Chromed brass	WOCO14	371 \$

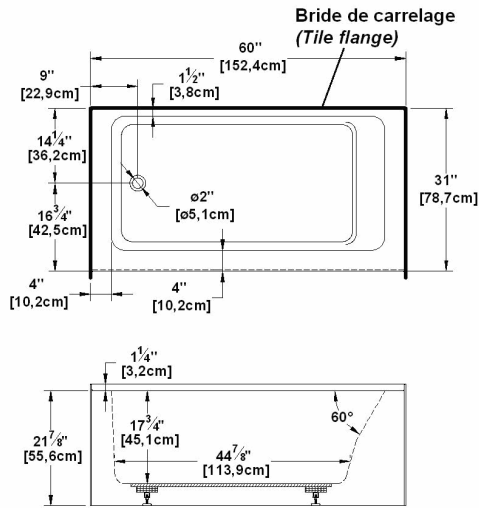
Keypad supplied but not installed when ordered with tile flanges or remote control.

\*\*See the options chart on pages 70 to 73 of this document for all available colors and finishes

oceania  
water • attitude

## Loft 6031 L-SF

### Left hand drain, 1 Skirt (Front)



Complete Technical specifications at [www.oceania-attitude.com](http://www.oceania-attitude.com) will prevail at all times

## 1 integrated skirt

60" x 31" x 22" [152,4 cm x 78,7 cm x 55,9 cm]  
42 IMP Gal. / 54.80 US Gal. / 190.90 Liters

#### Retail price

Product Code	Model	Price
LO6031LSF	Soaker	<b>2,562 \$</b>
LO6031LSFCA	Comfort air™	<b>6,305 \$</b>
LO6031LSFAM	AeroMassage™	<b>6,943 \$</b>
LO6031LSFSA	Super AeroMassage™	<b>8,797 \$</b>
LO6031LSFLI	Linear cutout	<b>2,562 \$</b>

Standard color : White(01)

Returns accepted on white product only

#### Options\*\*

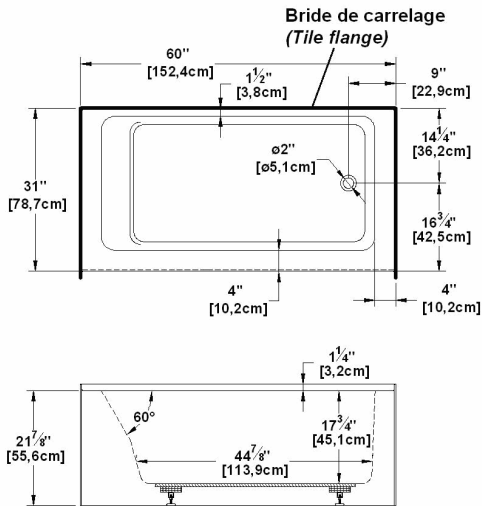
	Code	Add
White acrylic grab bar (each)	G01	216 \$
Chromatherapy lights	MLC	1145 \$
White floating remote control	RC01	593 \$
Chrome Linear overflow and drain	BDW-114	359 \$
Drain & Overflow PVC / Chromed brass	WOCO14	371 \$

**Integrated acrylic tile flanges. If system, delivered with keypad not installed. Available in white only. Only one grab bar can be factory installed.**

**\*\*See the options chart on pages 70 to 73 of this document for all available colors and finishes**

## Loft 6031 R-SF

### Right hand drain, 1 Skirt (Front)



Complete Technical specifications at [www.oceania-attitude.com](http://www.oceania-attitude.com) will prevail at all times

## 1 integrated skirt

60" x 31" x 22" [152,4 cm x 78,7 cm x 55,9 cm]  
42 IMP Gal. / 54.80 US Gal. / 190.90 Liters

#### Retail price

Product Code	Model	Price
LO6031RSF	Soaker	<b>2,562 \$</b>
LO6031RSFCA	Comfort air™	<b>6,305 \$</b>
LO6031RSFAM	AeroMassage™	<b>6,943 \$</b>
LO6031RSFSA	Super AeroMassage™	<b>8,797 \$</b>
LO6031RSFLI	Linear cutout	<b>2,562 \$</b>

Standard color : White(01)

Returns accepted on white product only

#### Options\*\*

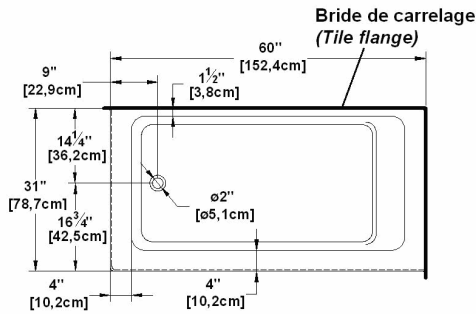
	Code	Add
White acrylic grab bar (each)	G01	216 \$
Chromatherapy lights	MLC	1145 \$
White floating remote control	RC01	593 \$
Chrome Linear overflow and drain	BDW-114	359 \$
Drain & Overflow PVC / Chromed brass	WOCO14	371 \$

**Integrated acrylic tile flanges. If system, delivered with keypad not installed. Available in white only. Only one grab bar can be factory installed.**

**\*\*See the options chart on pages 70 to 73 of this document for all available colors and finishes**

## Loft 6031LSFL (left drain)

Authentik Signature Series



Complete Technical specifications at [www.oceania-attitude.com](http://www.oceania-attitude.com) will prevail at all times

2 Skirts (Front and Left)

60" x 31" x 22" [152,4 cm x 78,7 cm x 55,9 cm]  
42 IMP Gal. / 54.80 US Gal. / 190.90 Liters

### Retail price

Product Code	Model	Price
LO6031LSFL	Soaker	3,441 \$
LO6031LSFLCA	Comfort air™	6,999 \$
LO6031LSFLAM	AeroMassage™	7,558 \$
LO6031LSFLSA	Super AeroMassage™	9,410 \$
LO6031LSFLLI	Linear cutout	3,441 \$

Standard color : White(01)

Returns accepted on white product only

### Options\*\*

	Code	Add
Exterior MATTE CUSTOM COLOR	EXTXXM	2371 \$
Special Exterior Finish see Page 73	SWXX	2963 \$
White acrylic grab bar (each)	G01	216 \$
Chromatherapy lights	MLC	1145 \$
White floating remote control	RC01	593 \$
Installation panel DRAIN side	TI-DR	404 \$
Floor drain for freestanding baths	FBQD	396 \$
Chrome Linear overflow and drain	BDW-114	359 \$
Flexible Drain & Overflow / Chromed brass	WOCOSBS14	590 \$

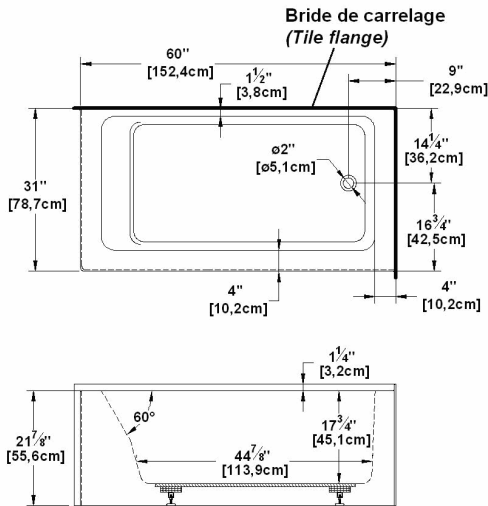
**WARNING: The installation panel TI-DR is mandatory with the BDW series of drains.**

*Integrated acrylic tile flanges. If system, delivered with keypad not installed and blower must be remote mounted. Available in white only. Only one grab bar can be factory installed. Special Finish not available when ordered with installation panel.*

\*\*See the options chart on pages 70 to 73 of this document for all available colors and finishes

## Loft 6031RSFL (right drain)

Authentik Signature Series



Complete Technical specifications at [www.oceania-attitude.com](http://www.oceania-attitude.com) will prevail at all times

2 Skirts (Front and Left)

60" x 31" x 22" [152,4 cm x 78,7 cm x 55,9 cm]  
42 IMP Gal. / 54.80 US Gal. / 190.90 Liters

### Retail price

Product Code	Model	Price
LO6031RSFL	Soaker	3,441 \$
LO6031RSFLCA	Comfort air™	6,999 \$
LO6031RSFLAM	AeroMassage™	7,558 \$
LO6031RSFLSA	Super AeroMassage™	9,410 \$
LO6031RSFLLI	Linear cutout	3,441 \$

Standard color : White(01)

Returns accepted on white product only

### Options\*\*

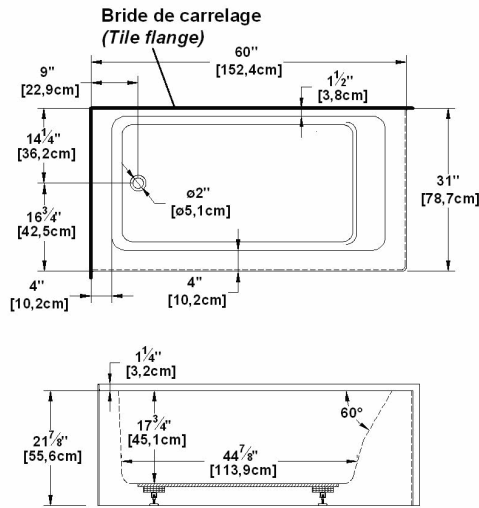
	Code	Add
Exterior MATTE CUSTOM COLOR	EXTXXM	2371 \$
Special Exterior Finish see Page 73	SWXX	2963 \$
White acrylic grab bar (each)	G01	216 \$
Chromatherapy lights	MLC	1145 \$
White floating remote control	RC01	593 \$
Installation panel BACK REST side	TI-DO	404 \$
Chrome Linear overflow and drain	BDW-114	359 \$
Drain & Overflow PVC / Chromed brass	WOCO14	371 \$

*Integrated acrylic tile flanges. If system, delivered with keypad not installed and blower must be remote mounted. Available in white only. Only one grab bar can be factory installed. Special Finish not available when ordered with installation panel.*

\*\*See the options chart on pages 70 to 73 of this document for all available colors and finishes

## Loft 6031LSFR (left drain)

Authentik Signature Series



Complete Technical specifications at [www.oceania-attitude.com](http://www.oceania-attitude.com) will prevail at all times

## 2 Skirts (Front and Right)

60" x 31" x 22" [152,4 cm x 78,7 cm x 55,9 cm]  
42 IMP Gal. / 54.80 US Gal. / 190.90 Liters

### Retail price

Product Code	Model	Price
LO6031LSFR	Soaker	3,441 \$
LO6031LSFRCA	Comfort air™	6,999 \$
LO6031LSFRAM	AeroMassage™	7,558 \$
LO6031LSFRSA	Super AeroMassage™	9,410 \$
LO6031LSFRLI	Linear cutout	3,441 \$

Standard color : White(01)

Returns accepted on white product only

### Options\*\*

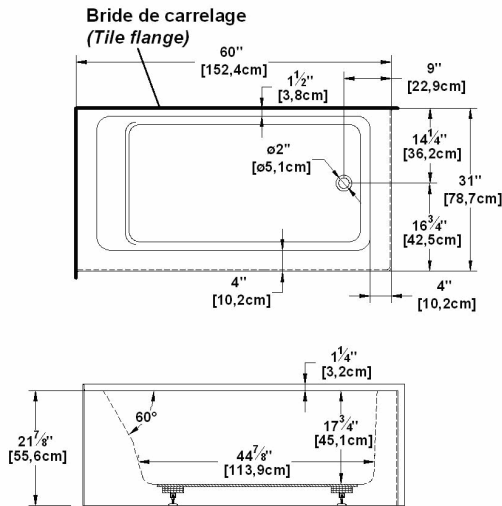
	Code	Add
Exterior MATTE CUSTOM COLOR	EXTXXM	2371 \$
Special Exterior Finish see Page 73	SWXX	2963 \$
White acrylic grab bar (each)	G01	216 \$
Chromatherapy lights	MLC	1145 \$
White floating remote control	RC01	593 \$
Installation panel BACK REST side	TI-DO	404 \$
Chrome Linear overflow and drain	BDW-114	359 \$
Drain & Overflow PVC / Chromed brass	WOCO14	371 \$

**Integrated acrylic tile flanges. If system, delivered with keypad not installed and blower must be remote mounted. Available in white only. Only one grab bar can be factory installed. Special Finish not available when ordered with installation panel.**

\*\*See the options chart on pages 70 to 73 of this document for all available colors and finishes

## Loft 6031RSFR (right drain)

Authentik Signature Series



Complete Technical specifications at [www.oceania-attitude.com](http://www.oceania-attitude.com) will prevail at all times

## 2 Skirts (Front and Right)

60" x 31" x 22" [152,4 cm x 78,7 cm x 55,9 cm]  
42 IMP Gal. / 54.80 US Gal. / 190.90 Liters

### Retail price

Product Code	Model	Price
LO6031RSFR	Soaker	3,441 \$
LO6031RSFRCA	Comfort air™	6,999 \$
LO6031RSFRAM	AeroMassage™	7,558 \$
LO6031RSFRSA	Super AeroMassage™	9,410 \$
LO6031RSFRLI	Linear cutout	3,441 \$

Standard color : White(01)

Returns accepted on white product only

### Options\*\*

	Code	Add
Exterior MATTE CUSTOM COLOR	EXTXXM	2371 \$
Special Exterior Finish see Page 73	SWXX	2963 \$
White acrylic grab bar (each)	G01	216 \$
Chromatherapy lights	MLC	1145 \$
White floating remote control	RC01	593 \$
Installation panel DRAIN side	TI-DR	404 \$
Chrome Linear overflow and drain	BDW-114	359 \$
Flexible Drain & Overflow / Chromed brass	WOCOSBS14	590 \$

**WARNING: The installation panel TI-DR is mandatory with the BDW series of drains.**

**Integrated acrylic tile flanges. If system, delivered with keypad not installed and blower must be remote mounted. Available in white only. Only one grab bar can be factory installed. Special Finish not available when ordered with installation panel.**

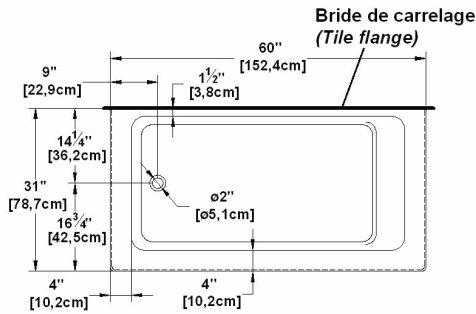
\*\*See the options chart on pages 70 to 73 of this document for all available colors and finishes

## Loft 6031LSFLR (left drain)

3 Skirts (Front, Left and Right)

60" x 31" x 22" [152,4 cm x 78,7 cm x 55,9 cm]  
42 IMP Gal. / 54.80 US Gal. / 190.90 Liters

### Authentik Signature Series



Complete Technical specifications at [www.oceania-attitude.com](http://www.oceania-attitude.com) will prevail at all times

#### Retail price

Product Code	Model	Price
<b>LO6031LSFLR</b>	Soaker	<b>4,032 \$</b>
<b>LO6031LSFLRCA</b>	Comfort air™	<b>7,763 \$</b>
<b>LO6031LSFLRAM</b>	AeroMassage™	<b>8,242 \$</b>
<b>LO6031LSFLRSA</b>	Super AeroMassage™	<b>10,094 \$</b>
<b>LO6031LSFLRLI</b>	Linear cutout	<b>4,032 \$</b>

Standard color : White(01)

Returns accepted on white product only

#### Options\*\*

	Code	Add
Exterior MATTE CUSTOM COLOR	EXTXXM	2371 \$
Special Exterior Finish see Page 73	SWXX	2963 \$
White acrylic grab bar (each)	G01	216 \$
Chromatherapy lights	MLC	1145 \$
White floating remote control	RC01	593 \$
Installation panel BACK REST side	TI-DO	404 \$
Installation panel DRAIN side	TI-DR	404 \$
Floor drain for freestanding baths	FBQD	396 \$
Chrome Linear overflow and drain	BDW-114	359 \$
Flexible Drain & Overflow / Chromed brass	WOCOSBS14	590 \$

**WARNING: The installation panel TI-DR is mandatory with the BDW series of drains.**

*Integrated acrylic tile flanges. If system, delivered with keypad not installed and blower must be remote mounted. Available in white only. Only one grab bar can be factory installed. Special Finish not available when ordered with installation panel.*

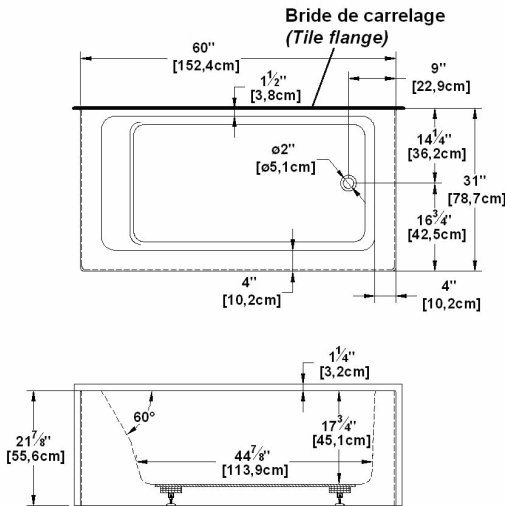
\*\*See the options chart on pages 70 to 73 of this document for all available colors and finishes

## Loft 6031RSFLR (right drain)

3 Skirts (Front, Left and Right)

60" x 31" x 22" [152,4 cm x 78,7 cm x 55,9 cm]  
42 IMP Gal. / 54.80 US Gal. / 190.90 Liters

### Authentik Signature Series



Complete Technical specifications at [www.oceania-attitude.com](http://www.oceania-attitude.com) will prevail at all times

#### Retail price

Product Code	Model	Price
<b>LO6031RSFLR</b>	Soaker	<b>4,032 \$</b>
<b>LO6031RSFLRCA</b>	Comfort air™	<b>7,763 \$</b>
<b>LO6031RSFLRAM</b>	AeroMassage™	<b>8,242 \$</b>
<b>LO6031RSFLRSA</b>	Super AeroMassage™	<b>10,094 \$</b>
<b>LO6031RSFLRLI</b>	Linear cutout	<b>4,032 \$</b>

Standard color : White(01)

Returns accepted on white product only

#### Options\*\*

	Code	Add
Exterior MATTE CUSTOM COLOR	EXTXXM	2371 \$
Special Exterior Finish see Page 73	SWXX	2963 \$
White acrylic grab bar (each)	G01	216 \$
Chromatherapy lights	MLC	1145 \$
White floating remote control	RC01	593 \$
Installation panel BACK REST side	TI-DO	404 \$
Installation panel DRAIN side	TI-DR	404 \$
Floor drain for freestanding baths	FBQD	396 \$
Chrome Linear overflow and drain	BDW-114	359 \$
Flexible Drain & Overflow / Chromed brass	WOCOSBS14	590 \$

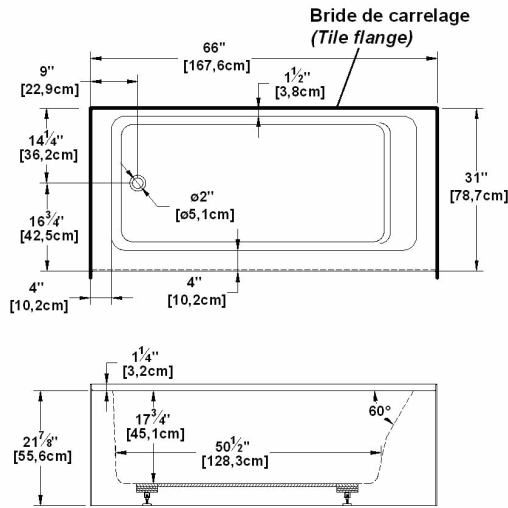
**WARNING: The installation panel TI-DR is mandatory with the BDW series of drains.**

*Integrated acrylic tile flanges. If system, delivered with keypad not installed and blower must be remote mounted. Available in white only. Only one grab bar can be factory installed. Special Finish not available when ordered with installation panel.*

\*\*See the options chart on pages 70 to 73 of this document for all available colors and finishes

## Loft 6631 L-SF

### Left hand drain, 1 Skirt (Front)



### 1 integrated skirt

66" x 31" x 22" [167,6 cm x 78,7 cm x 55,9 cm]  
46 IMP Gal. / 60.00 US Gal. / 209.10 Liters

#### Retail price

Product Code	Model	Price
LO6631LSF	Soaker	3,953 \$
LO6631LSFCA	Comfort air™	6,776 \$
LO6631LSFAM	AeroMassage™	7,489 \$
LO6631LSFSA	Super AeroMassage™	9,079 \$
LO6631LSFLI	Linear cutout	3,953 \$

Standard color : White(01)

Returns accepted on white product only

#### Options\*\*

	Code	Add
White acrylic grab bar (each)	G01	216 \$
Chromatherapy lights	MLC	1145 \$
White floating remote control	RC01	593 \$
Chrome Linear overflow and drain	BDW-114	359 \$
Drain & Overflow PVC / Chromed brass	WOCO14	371 \$

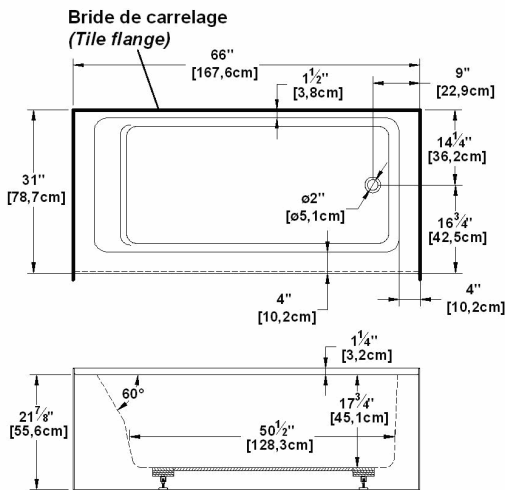
Complete Technical specifications at [www.oceania-attitude.com](http://www.oceania-attitude.com) will prevail at all times

**Integrated acrylic tile flanges. If system, delivered with keypad not installed. Available in white only. Only one grab bar can be factory installed.**

**\*\*See the options chart on pages 70 to 73 of this document for all available colors and finishes**

## Loft 6631 R-SF

### Right hand drain, 1 Skirt (Front)



### 1 integrated skirt

66" x 31" x 22" [167,6 cm x 78,7 cm x 55,9 cm]  
46 IMP Gal. / 60.00 US Gal. / 209.10 Liters

#### Retail price

Product Code	Model	Price
LO6631RSF	Soaker	3,953 \$
LO6631RSFCA	Comfort air™	6,776 \$
LO6631RSFAM	AeroMassage™	7,489 \$
LO6631RSFSA	Super AeroMassage™	9,079 \$
LO6631RSFLI	Linear cutout	3,953 \$

Standard color : White(01)

Returns accepted on white product only

#### Options\*\*

	Code	Add
White acrylic grab bar (each)	G01	216 \$
Chromatherapy lights	MLC	1145 \$
White floating remote control	RC01	593 \$
Chrome Linear overflow and drain	BDW-114	359 \$
Drain & Overflow PVC / Chromed brass	WOCO14	371 \$

Complete Technical specifications at [www.oceania-attitude.com](http://www.oceania-attitude.com) will prevail at all times

**Integrated acrylic tile flanges. If system, delivered with keypad not installed. Available in white only. Only one grab bar can be factory installed.**

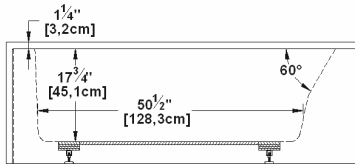
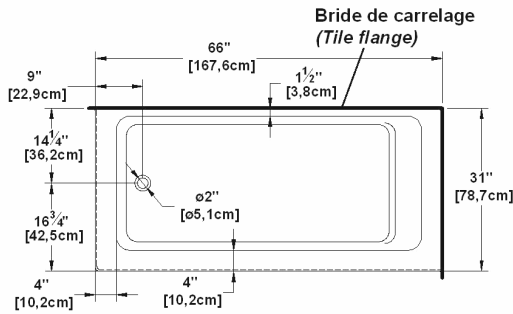
**\*\*See the options chart on pages 70 to 73 of this document for all available colors and finishes**

## Loft 6631LSFL (left drain)

Authentik Signature Series

2 Skirts (Front and Left)

66" x 31" x 22" [167,6 cm x 78,7 cm x 55,9 cm]  
46 IMP Gal. / 60.00 US Gal. / 209.10 Liters



Complete Technical specifications at [www.oceania-attitude.com](http://www.oceania-attitude.com) will prevail at all times

### Retail price

Product Code	Model	Price
LO6631LSFL	Soaker	4,751 \$
LO6631LSFLCA	Comfort air™	7,529 \$
LO6631LSFLAM	AeroMassage™	8,155 \$
LO6631LSFLSA	Super AeroMassage™	9,749 \$
LO6631LSFLLI	Linear cutout	4,751 \$

Standard color : White(01)

Returns accepted on white product only

### Options\*\*

	Code	Add
Exterior MATTE CUSTOM COLOR	EXTXXM	2371 \$
Special Exterior Finish see Page 73	SWXX	2963 \$
White acrylic grab bar (each)	G01	216 \$
Chromatherapy lights	MLC	1145 \$
White floating remote control	RC01	593 \$
Installation panel DRAIN side	TI-DR	404 \$
Floor drain for freestanding baths	FBQD	396 \$
Chrome Linear overflow and drain	BDW-114	359 \$
Flexible Drain & Overflow / Chromed brass	WOCOSBS14	590 \$

**WARNING: The installation panel TI-DR is mandatory with the BDW series of drains.**

*Integrated acrylic tile flanges. If system, delivered with keypad not installed and blower must be remote mounted. Available in white only. Only one grab bar can be factory installed. Special Finish not available when ordered with installation panel.*

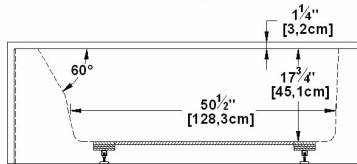
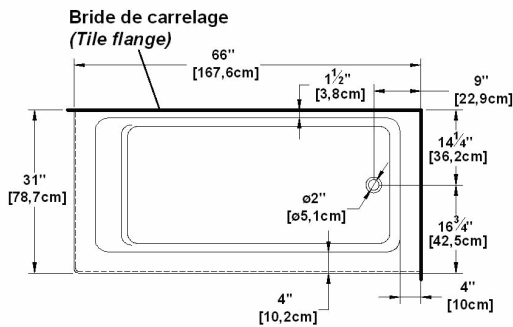
\*\*See the options chart on pages 70 to 73 of this document for all available colors and finishes

## Loft 6631RSFL (right drain)

Authentik Signature Series

2 Skirts (Front and Left)

66" x 31" x 22" [167,6 cm x 78,7 cm x 55,9 cm]  
46 IMP Gal. / 60.00 US Gal. / 209.10 Liters



Complete Technical specifications at [www.oceania-attitude.com](http://www.oceania-attitude.com) will prevail at all times

### Retail price

Product Code	Model	Price
LO6631RSFL	Soaker	4,751 \$
LO6631RSFLCA	Comfort air™	7,529 \$
LO6631RSFLAM	AeroMassage™	8,155 \$
LO6631RSFLSA	Super AeroMassage™	9,749 \$
LO6631RSFLLI	Linear cutout	4,751 \$

Standard color : White(01)

Returns accepted on white product only

### Options\*\*

	Code	Add
Exterior MATTE CUSTOM COLOR	EXTXXM	2371 \$
Special Exterior Finish see Page 73	SWXX	2963 \$
White acrylic grab bar (each)	G01	216 \$
Chromatherapy lights	MLC	1145 \$
White floating remote control	RC01	593 \$
Installation panel BACK REST side	TI-DO	404 \$
Chrome Linear overflow and drain	BDW-114	359 \$
Drain & Overflow PVC / Chromed brass	WOCO14	371 \$

*Integrated acrylic tile flanges. If system, delivered with keypad not installed and blower must be remote mounted. Available in white only. Only one grab bar can be factory installed. Special Finish not available when ordered with installation panel.*

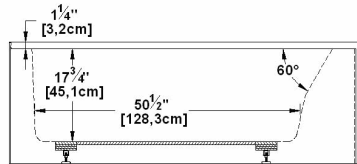
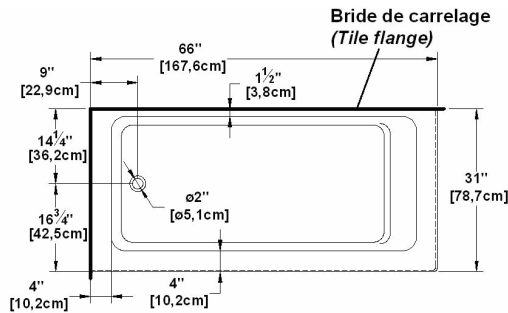
\*\*See the options chart on pages 70 to 73 of this document for all available colors and finishes

## Loft 6631LSFR (left drain)

2 Skirts (Front and Right)

66" x 31" x 22" [167,6 cm x 78,7 cm x 55,9 cm]  
46 IMP Gal. / 60.00 US Gal. / 209.10 Liters

### Authentik Signature Series



Complete Technical specifications at [www.oceania-attitude.com](http://www.oceania-attitude.com) will prevail at all times

#### Retail price

Product Code	Model	Price
LO6631LSFR	Soaker	4,751 \$
LO6631LSFRCA	Comfort air™	7,529 \$
LO6631LSFRAM	AeroMassage™	8,155 \$
LO6631LSFRSA	Super AeroMassage™	9,749 \$
LO6631LSFRLI	Linear cutout	4,751 \$

Standard color : White(01)

Returns accepted on white product only

#### Options\*\*

	Code	Add
Exterior MATTE CUSTOM COLOR	EXTXXM	2371 \$
Special Exterior Finish see Page 73	SWXX	2963 \$
White acrylic grab bar (each)	G01	216 \$
Chromatherapy lights	MLC	1145 \$
White floating remote control	RC01	593 \$
Installation panel BACK REST side	TI-DO	404 \$
Chrome Linear overflow and drain	BDW-114	359 \$
Drain & Overflow PVC / Chromed brass	WOCO14	371 \$

**Integrated acrylic tile flanges. If system, delivered with keypad not installed and blower must be remote mounted. Available in white only. Only one grab bar can be factory installed. Special Finish not available when ordered with installation panel.**

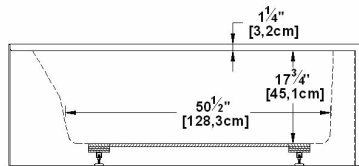
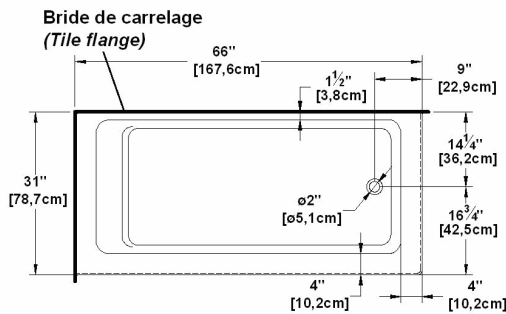
\*\*See the options chart on pages 70 to 73 of this document for all available colors and finishes

## Loft 6631RSFR (right drain)

2 Skirts (Front and Right)

66" x 31" x 22" [167,6 cm x 78,7 cm x 55,9 cm]  
46 IMP Gal. / 60.00 US Gal. / 209.10 Liters

### Authentik Signature Series



Complete Technical specifications at [www.oceania-attitude.com](http://www.oceania-attitude.com) will prevail at all times

#### Retail price

Product Code	Model	Price
LO6631RSFR	Soaker	4,751 \$
LO6631RSFRCA	Comfort air™	7,529 \$
LO6631RSFRAM	AeroMassage™	8,155 \$
LO6631RSFRSA	Super AeroMassage™	9,749 \$
LO6631RSFRLI	Linear cutout	4,751 \$

Standard color : White(01)

Returns accepted on white product only

#### Options\*\*

	Code	Add
Exterior MATTE CUSTOM COLOR	EXTXXM	2371 \$
Special Exterior Finish see Page 73	SWXX	2963 \$
White acrylic grab bar (each)	G01	216 \$
Chromatherapy lights	MLC	1145 \$
White floating remote control	RC01	593 \$
Installation panel DRAIN side	TI-DR	404 \$
Floor drain for freestanding baths	FBQD	396 \$
Chrome Linear overflow and drain	BDW-114	359 \$
Flexible Drain & Overflow / Chromed brass	WOCOSBS14	590 \$

**WARNING: The installation panel TI-DR is mandatory with the BDW series of drains.**

**Integrated acrylic tile flanges. If system, delivered with keypad not installed and blower must be remote mounted. Available in white only. Only one grab bar can be factory installed. Special Finish not available when ordered with installation panel.**

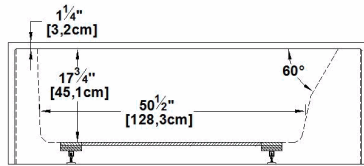
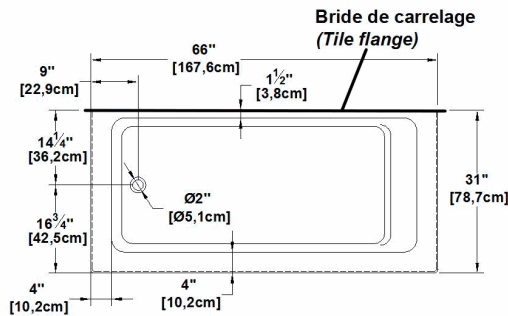
\*\*See the options chart on pages 70 to 73 of this document for all available colors and finishes

## Loft 6631LSFLR (left drain)

3 Skirts (Front, Left and Right)

66" x 31" x 22" [167,6 cm x 78,7 cm x 55,9 cm]  
46 IMP Gal. / 60.00 US Gal. / 209.10 Liters

### Authentik Signature Series



Complete Technical specifications at [www.oceania-attitude.com](http://www.oceania-attitude.com) will prevail at all times

#### Retail price

Product Code	Model	Price
LO6631LSFLR	Soaker	5,126 \$
LO6631LSFLRCA	Comfort air™	7,996 \$
LO6631LSFLRAM	AeroMassage™	8,570 \$
LO6631LSFLRSA	Super AeroMassage™	10,124 \$
LO6631LSFLRLI	Linear cutout	5,126 \$

Standard color : White(01)

Returns accepted on white product only

#### Options\*\*

	Code	Add
Exterior MATTE CUSTOM COLOR	EXTXXM	2371 \$
Special Exterior Finish see Page 73	SWXX	2963 \$
White acrylic grab bar (each)	G01	216 \$
Chromatherapy lights	MLC	1145 \$
White floating remote control	RC01	593 \$
Installation panel BACK REST side	TI-DO	404 \$
Installation panel DRAIN side	TI-DR	404 \$
Floor drain for freestanding baths	FBQD	396 \$
Chrome Linear overflow and drain	BDW-114	359 \$
Flexible Drain & Overflow / Chromed brass	WOCOSBS14	590 \$

**WARNING: The installation panel TI-DR is mandatory with the BDW series of drains.**

*Integrated acrylic tile flanges. If system, delivered with keypad not installed and blower must be remote mounted. Available in white only. Only one grab bar can be factory installed. Special Finish not available when ordered with installation panel.*

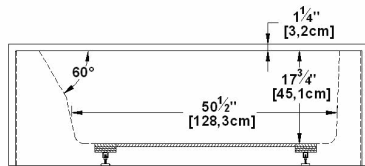
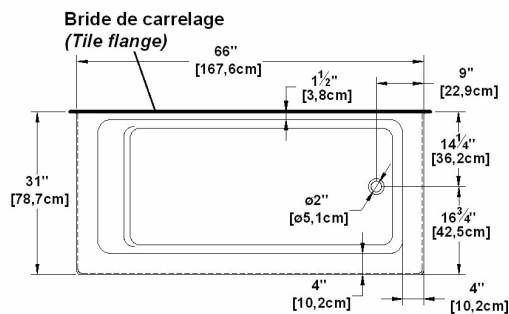
\*\*See the options chart on pages 70 to 73 of this document for all available colors and finishes

## Loft 6631RSFLR (right drain)

3 Skirts (Front, Left and Right)

66" x 31" x 22" [167,6 cm x 78,7 cm x 55,9 cm]  
46 IMP Gal. / 60.00 US Gal. / 209.10 Liters

### Authentik Signature Series



Complete Technical specifications at [www.oceania-attitude.com](http://www.oceania-attitude.com) will prevail at all times

#### Retail price

Product Code	Model	Price
LO6631RSFLR	Soaker	5,126 \$
LO6631RSFLRCA	Comfort air™	7,996 \$
LO6631RSFLRAM	AeroMassage™	8,570 \$
LO6631RSFLRSA	Super AeroMassage™	10,124 \$
LO6631RSFLRLI	Linear cutout	5,126 \$

Standard color : White(01)

Returns accepted on white product only

#### Options\*\*

	Code	Add
Exterior MATTE CUSTOM COLOR	EXTXXM	2371 \$
Special Exterior Finish see Page 73	SWXX	2963 \$
White acrylic grab bar (each)	G01	216 \$
Chromatherapy lights	MLC	1145 \$
White floating remote control	RC01	593 \$
Installation panel BACK REST side	TI-DO	404 \$
Installation panel DRAIN side	TI-DR	404 \$
Floor drain for freestanding baths	FBQD	396 \$
Chrome Linear overflow and drain	BDW-114	359 \$
Flexible Drain & Overflow / Chromed brass	WOCOSBS14	590 \$

**WARNING: The installation panel TI-DR is mandatory with the BDW series of drains.**

*Integrated acrylic tile flanges. If system, delivered with keypad not installed and blower must be remote mounted. Available in white only. Only one grab bar can be factory installed. Special Finish not available when ordered with installation panel.*

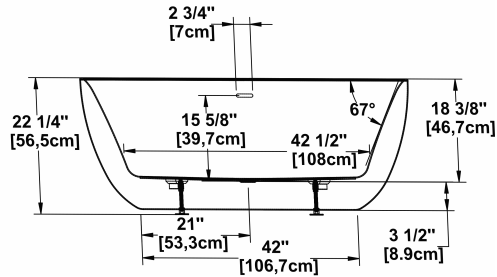
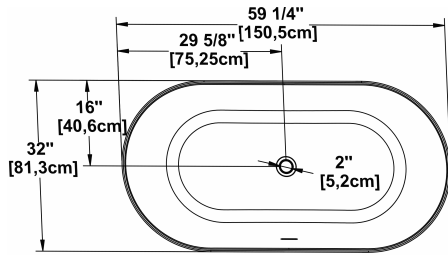
\*\*See the options chart on pages 70 to 73 of this document for all available colors and finishes

## Minto 59 Freestanding

### One-piece freestanding bath

59" x 32" x 22" [150,5 cm x 81,3 cm x 55,9 cm]  
53 IMP Gal. / 63.65 US Gal. / 240.94 Liters

#### Authentik Signature Series



Complete Technical specifications at [www.oceania-attitude.com](http://www.oceania-attitude.com) will prevail at all times

#### Retail price

Product Code	Model	Price
<b>MI59</b>	Soaker	<b>4,281 \$</b>
<b>Not available</b>	Comfort air™	<b>N/A</b>
<b>MI59AM</b>	AeroMassage™	<b>8,060 \$</b>
<b>Not available</b>	Super AeroMassage™	<b>N/A</b>
<b>Not available</b>	Linear cutout	<b>N/A</b>

Standard color : White(01)

Returns accepted on white product only

#### Options\*\*

	Code	Add
Glossy black acrylic exterior	EXT48	1532 \$
Exterior MATTE WHITE acrylic	EXT01M	1415 \$
Exterior MATTE CUSTOM COLOR	EXTXXM	2371 \$
Interior/Exterior MATTE WHITE acrylic	INT-EXT01M	1725 \$
Drain cover - Chrome	INF114	184 \$
Drain cover - White	INF101	0 \$
Drain cover - Matte Black	INF148M	184 \$
Chromatherapy lights	MLC	1145 \$
Floor drain for freestanding baths	FBQD	396 \$

**WARNING: The interior is available in white only. SW option not available on this model.**

*Default exterior finish : white acrylic. The overflow is factory installed, the chrome drain is included but not installed. When ordered with AeroMassage, blower must be remote mounted. If system, delivered with keypad not installed and remote control is included. The Chromatherapy option is only available with the AeroMassage option.*

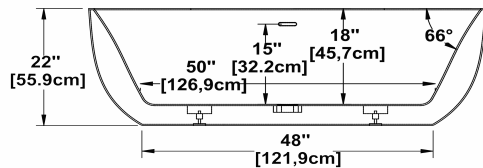
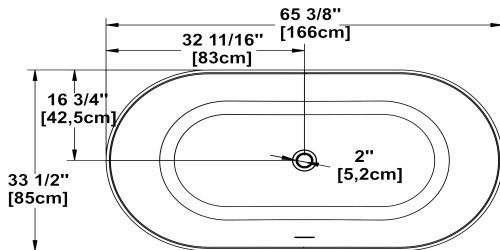
\*\*See the options chart on pages 70 to 73 of this document for all available colors and finishes

## Minto 65 Freestanding

### One-piece freestanding bath

65" x 34" x 22" [167,0 cm x 86,4 cm x 55,9 cm]  
49 IMP Gal. / 63.90 US Gal. / 222.70 Liters

#### Authentik Signature Series



Complete Technical specifications at [www.oceania-attitude.com](http://www.oceania-attitude.com) will prevail at all times

#### Retail price

Product Code	Model	Price
<b>MI65</b>	Soaker	<b>4,704 \$</b>
<b>Not available</b>	Comfort air™	<b>N/A</b>
<b>MI65AM</b>	AeroMassage™	<b>8,599 \$</b>
<b>Not available</b>	Super AeroMassage™	<b>N/A</b>
<b>Not available</b>	Linear cutout	<b>N/A</b>

Standard color : White(01)

Returns accepted on white product only

#### Options\*\*

	Code	Add
Glossy black acrylic exterior	EXT48	1532 \$
Exterior MATTE WHITE acrylic	EXT01M	1415 \$
Exterior MATTE CUSTOM COLOR	EXTXXM	2371 \$
Interior/Exterior MATTE WHITE acrylic	INT-EXT01M	1725 \$
Drain cover - Chrome	INF114	184 \$
Drain cover - White	INF101	0 \$
Drain cover - Matte Black	INF148M	184 \$
Chromatherapy lights	MLC	1145 \$
Floor drain for freestanding baths	FBQD	396 \$

**WARNING: The interior is available in white only. SW option not available on this model.**

*Default exterior finish : white acrylic. The overflow is factory installed, the drain is included but not installed. When ordered with AeroMassage, blower must be remote mounted. If system, delivered with keypad not installed and remote control is included. The Chromatherapy option is only available with the AeroMassage option.*

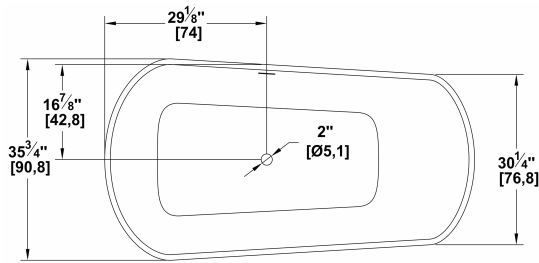
\*\*See the options chart on pages 70 to 73 of this document for all available colors and finishes

# Muskoka 67 Freestanding

One-piece freestanding bath

67" x 36" x 22" [170,2 cm x 91,4 cm x 55,9 cm]  
69 IMP Gal. / 90.00 US Gal. / 3,137.00 Liters

## Authentik Signature Series

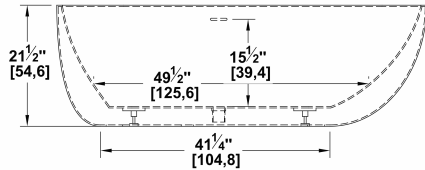


### Retail price

Product Code	Model	Price
<b>MU67</b>	Soaker	<b>4,704 \$</b>
<b>Not available</b>	Comfort air™	<b>N/A</b>
<b>MU67AM</b>	AeroMassage™	<b>8,599 \$</b>
<b>Not available</b>	Super AeroMassage™	<b>N/A</b>
<b>Not available</b>	Linear cutout	<b>N/A</b>

Standard color : White(01)

Returns accepted on white product only



Complete Technical specifications at [www.oceania-attitude.com](http://www.oceania-attitude.com) will prevail at all times

### Options\*\*

	Code	Add
Glossy black acrylic exterior	EXT48	1532 \$
Exterior MATTE WHITE acrylic	EXT01M	1415 \$
Exterior MATTE CUSTOM COLOR	EXTXXM	2371 \$
Interior/Exterior MATTE WHITE acrylic	INT-EXT01M	1725 \$
Drain cover - Chrome	INF114	184 \$
Drain cover - White	INF101	0 \$
Drain cover - Matte Black	INF148M	184 \$
Chromatherapy lights	MLC	1145 \$
Floor drain for freestanding baths	FBQD	396 \$

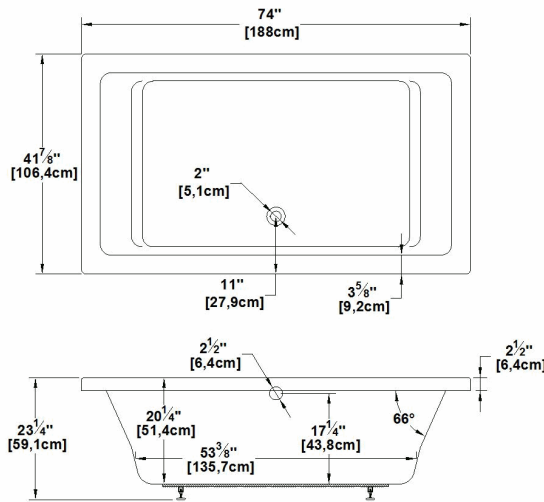
**WARNING: The interior is available in white only. SW option not available on this model.**

*Default exterior finish : white acrylic. The overflow is factory installed, the chrome drain is included but not installed. When ordered with AeroMassage, blower must be remote mounted. If system, delivered with keypad not installed and remote control is included. The Chromatherapy option is only available with the AeroMassage option.*

**\*\*See the options chart on pages 70 to 73 of this document for all available colors and finishes**

# Nature

74" x 42" x 23" [188,0 cm x 106,7 cm x 58,4 cm]  
94 IMP Gal. / 122.60 US Gal. / 427.30 Liters



Complete Technical specifications at [www.oceania-attitude.com](http://www.oceania-attitude.com) will prevail at all times

### Retail price

Product Code	Model	Price
<b>NA24</b>	Soaker	<b>3,650 \$</b>
<b>NA24CA</b>	Comfort air™	<b>6,249 \$</b>
<b>NA24AM</b>	AeroMassage™	<b>6,930 \$</b>
<b>NA24SA</b>	Super AeroMassage™	<b>9,049 \$</b>
<b>NA24LI</b>	Linear cutout	<b>3,650 \$</b>

Standard color : White(01)

Returns accepted on white product only

### Options\*\*

	Code	Add
White acrylic grab bar (each)	G01	216 \$
Acrylic Biscuit Color	INT02	1532 \$
Acrylic Black Color	INT48	1532 \$
Removable White Skirt Panel for bath XL	JAXL	1287 \$
Low-Profile bath lip	LP	329 \$
Chromatherapy lights	MLC	1145 \$
White floating remote control	RC01	593 \$
Tile flange for baths, see page 55	TF	228 \$
Chrome Linear overflow and drain	BDW-114	359 \$
Drain & Overflow PVC / Chromed brass	WOCO14	371 \$

**Keypad supplied but not installed when ordered with tile flanges or remote control.**

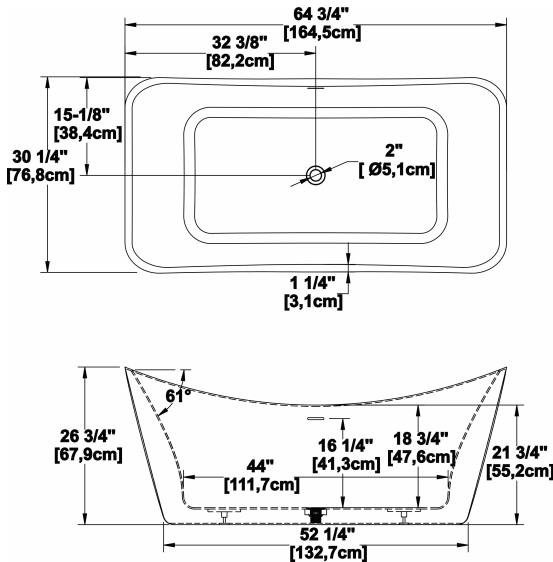
**\*\*See the options chart on pages 70 to 73 of this document for all available colors and finishes**

## Primrose 65 Freestanding

### One-piece freestanding bath

65" x 30" x 27" [164.5 cm x 76.2 cm x 68.9]  
55 IMP Gal. / 71.70 US Gal. / 250.00 Liters

#### Authentik Signature Series



Complete Technical specifications at [www.oceania-attitude.com](http://www.oceania-attitude.com) will prevail at all times

#### Retail price

Product Code	Model	Price
<b>PR65</b>	Soaker	<b>4,704 \$</b>
<b>Not available</b>	Comfort air™	<b>N/A</b>
<b>PR65AM</b>	AeroMassage™	<b>8,599 \$</b>
<b>Not available</b>	Super AeroMassage™	<b>N/A</b>
<b>Not available</b>	Linear cutout	<b>N/A</b>

Standard color : White(01)

Returns accepted on white product only

#### Options\*\*

	Code	Add
Glossy black acrylic exterior	EXT48	1532 \$
Exterior MATTE WHITE acrylic	EXT01M	1415 \$
Exterior MATTE CUSTOM COLOR	EXTXXM	2371 \$
Interior/Exterior MATTE WHITE acrylic	INT-EXT01M	1725 \$
Special Exterior Finish see Page 73	SWXX	2963 \$
Drain cover - Chrome	INF114	184 \$
Drain cover - White	INF101	0 \$
Drain cover - Matte Black	INF148M	184 \$
Chromatherapy lights	MLC	1145 \$
Floor drain for freestanding baths	FBQD	396 \$

**WARNING: The interior is available in white only.**

*Default exterior finish : white acrylic. The overflow is factory installed, the chrome drain is included but not installed. When ordered with AeroMassage, blower must be remote mounted. If system, delivered with keypad not installed and remote control is included. The Chromatherapy option is only available with the AeroMassage option.*

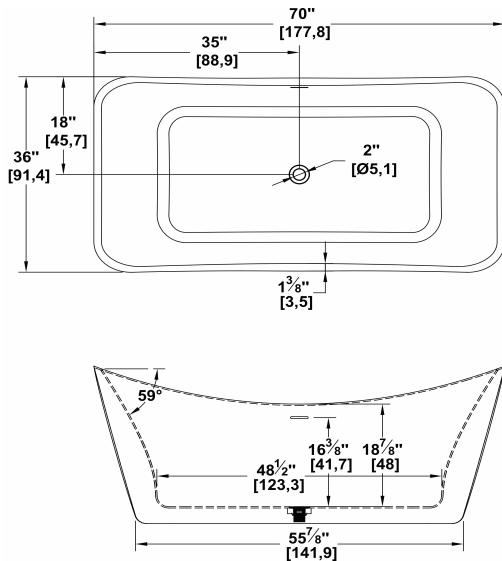
\*\*See the options chart on pages 70 to 73 of this document for all available colors and finishes

## Primrose 70 Freestanding

### One-piece freestanding bath

70" x 36" x 27" [177.8 cm x 91.4 cm x 68.9]  
60 IMP Gal. / 78.20 US Gal. / 272.70 Liters

#### Authentik Signature Series



Complete Technical specifications at [www.oceania-attitude.com](http://www.oceania-attitude.com) will prevail at all times

#### Retail price

Product Code	Model	Price
<b>PR70</b>	Soaker	<b>5,015 \$</b>
<b>Not available</b>	Comfort air™	<b>N/A</b>
<b>PR70AM</b>	AeroMassage™	<b>8,665 \$</b>
<b>Not available</b>	Super AeroMassage™	<b>N/A</b>
<b>Not available</b>	Linear cutout	<b>N/A</b>

Standard color : White(01)

Returns accepted on white product only

#### Options\*\*

	Code	Add
Glossy black acrylic exterior	EXT48	1532 \$
Exterior MATTE WHITE acrylic	EXT01M	1415 \$
Exterior MATTE CUSTOM COLOR	EXTXXM	2371 \$
Interior/Exterior MATTE WHITE acrylic	INT-EXT01M	1725 \$
Special Exterior Finish see Page 73	SWXX	2963 \$
Drain cover - Chrome	INF114	184 \$
Drain cover - White	INF101	0 \$
Drain cover - Matte Black	INF148M	184 \$
Chromatherapy lights	MLC	1145 \$
Floor drain for freestanding baths	FBQD	396 \$

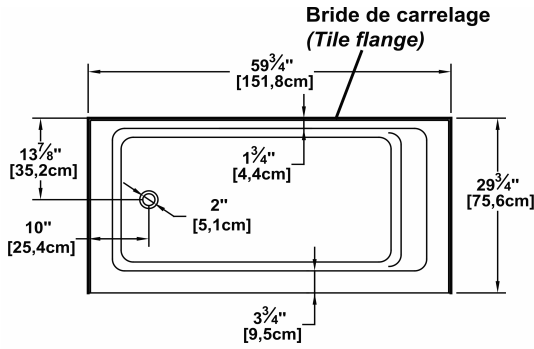
**WARNING: The interior is available in white only.**

*Default exterior finish : white acrylic. The overflow is factory installed, the chrome drain is included but not installed. When ordered with AeroMassage, blower must be remote mounted. If system, delivered with keypad not installed and remote control is included. The Chromatherapy option is only available with the AeroMassage option.*

\*\*See the options chart on pages 70 to 73 of this document for all available colors and finishes

## Pure 6030 (left hand drain)

Alcove installation, flanges on 3 sides



Complete Technical specifications at [www.oceania-attitude.com](http://www.oceania-attitude.com) will prevail at all times

## Integrated front skirt

60" x 30" x 18" [152,4 cm x 76,2 cm x 45,7 cm]  
35 IMP Gal. / 45.70 US Gal. / 159.10 Liters

### Retail price

Product Code	Model	Price
<b>PU6030L</b>	Soaker	<b>1,868 \$</b>
<b>PU6030LCA</b>	Comfort air™	<b>4,848 \$</b>
<b>PU6030LAM</b>	AeroMassage™	<b>5,997 \$</b>
<b>Not available</b>	Super AeroMassage™	<b>N/A</b>
<b>PU6030LLI</b>	Linear cutout	<b>1,868 \$</b>

Standard color : White(01)

Returns accepted on white product only

### Options\*\*

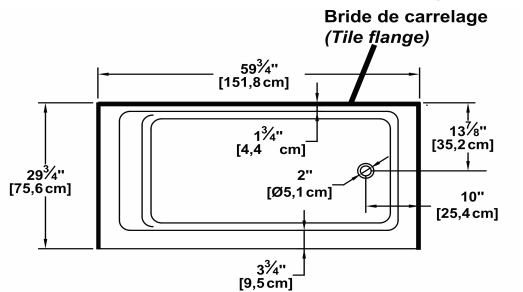
	Code	Add
White acrylic grab bar (each)	G01	216 \$
Acrylic Biscuit Color	INT02	1532 \$
Acrylic Black Color	INT48	1532 \$
No front skirt, cut at 2" high	JC2	0 \$
Chromatherapy lights	MLC	1145 \$
White floating remote control	RC01	593 \$
Chrome Linear overflow and drain	BDW-114	359 \$
Drain & Overflow PVC / Chromed brass	WOCO14	371 \$

Integrated acrylic tile flanges. If system, delivered with keypad not installed. Only one grab bar can be factory installed.

\*\*See the options chart on pages 70 to 73 of this document for all available colors and finishes

## Pure 6030 (right hand drain)

Alcove installation, flanges on 3 sides



Complete Technical specifications at [www.oceania-attitude.com](http://www.oceania-attitude.com) will prevail at all times

## Integrated front skirt

60" x 30" x 18" [152,4 cm x 76,2 cm x 45,7 cm]  
35 IMP Gal. / 45.70 US Gal. / 159.10 Liters

### Retail price

Product Code	Model	Price
<b>PU6030R</b>	Soaker	<b>1,868 \$</b>
<b>PU6030RCA</b>	Comfort air™	<b>4,848 \$</b>
<b>PU6030RAM</b>	AeroMassage™	<b>5,997 \$</b>
<b>Not available</b>	Super AeroMassage™	<b>N/A</b>
<b>PU6030RLI</b>	Linear cutout	<b>1,868 \$</b>

Standard color : White(01)

Returns accepted on white product only

### Options\*\*

	Code	Add
White acrylic grab bar (each)	G01	216 \$
Acrylic Biscuit Color	INT02	1532 \$
Acrylic Black Color	INT48	1532 \$
No front skirt, cut at 2" high	JC2	0 \$
Chromatherapy lights	MLC	1145 \$
White floating remote control	RC01	593 \$
Chrome Linear overflow and drain	BDW-114	359 \$
Drain & Overflow PVC / Chromed brass	WOCO14	371 \$

Integrated acrylic tile flanges. If system, delivered with keypad not installed. Only one grab bar can be factory installed.

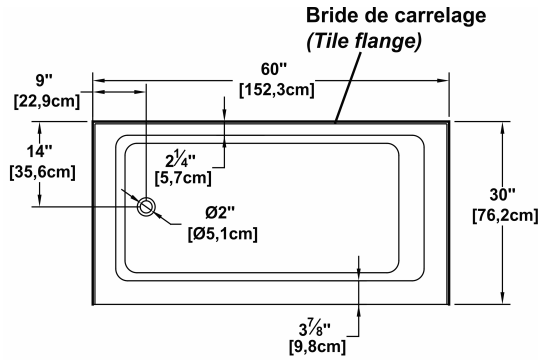
\*\*See the options chart on pages 70 to 73 of this document for all available colors and finishes

## Pure 603016 (left hand drain)

### Integrated front skirt

60" x 30" x 16" [152,3 cm x 76,2 cm x 40,6 cm]  
30 IMP Gal. / 39.10 US Gal. / 136.40 Liters

#### Alcove installation, flanges on 3 sides



#### Retail price

Product Code	Model	Price
<b>PU603016L</b>	Soaker	<b>1,868 \$</b>
<b>Not available</b>	Comfort air™	<b>N/A</b>
<b>Not available</b>	AeroMassage™	<b>N/A</b>
<b>Not available</b>	Super AeroMassage™	<b>N/A</b>
<b>PU603016LLI</b>	Linear cutout	<b>1,868 \$</b>

Standard color : White(01)

Returns accepted on white product only

#### Options\*\*

	Code	Add
White acrylic grab bar (each)	G01	216 \$
Acrylic Biscuit Color	INT02	1532 \$
Acrylic Black Color	INT48	1532 \$
No front skirt, cut at 2" high	JC2	0 \$
Chromatherapy lights	MLC	1145 \$
Chrome Linear overflow and drain	BDW-114	359 \$
Drain & Overflow PVC / Chromed brass	WOCO14	371 \$

Complete Technical specifications at [www.oceania-attitude.com](http://www.oceania-attitude.com) will prevail at all times

Integrated acrylic tile flanges. Only one grab bar can be factory installed.

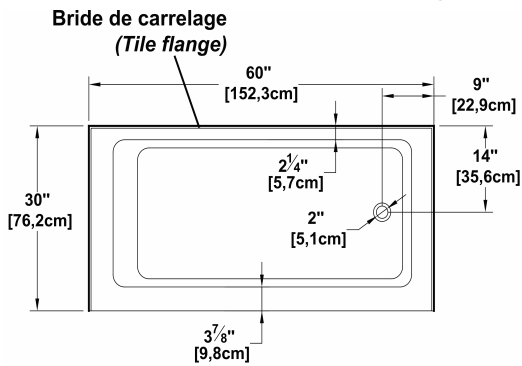
\*\*See the options chart on pages 70 to 73 of this document for all available colors and finishes

## Pure 603016 (right hand drain)

### Integrated front skirt

60" x 30" x 16" [152,3 cm x 76,2 cm x 40,6 cm]  
30 IMP Gal. / 39.10 US Gal. / 136.40 Liters

#### Alcove installation, flanges on 3 sides



#### Retail price

Product Code	Model	Price
<b>PU603016R</b>	Soaker	<b>1,868 \$</b>
<b>Not available</b>	Comfort air™	<b>N/A</b>
<b>Not available</b>	AeroMassage™	<b>N/A</b>
<b>Not available</b>	Super AeroMassage™	<b>N/A</b>
<b>PU603016RLI</b>	Linear cutout	<b>1,868 \$</b>

Standard color : White(01)

Returns accepted on white product only

#### Options\*\*

	Code	Add
White acrylic grab bar (each)	G01	216 \$
Acrylic Biscuit Color	INT02	1532 \$
Acrylic Black Color	INT48	1532 \$
No front skirt, cut at 2" high	JC2	0 \$
Chromatherapy lights	MLC	1145 \$
Chrome Linear overflow and drain	BDW-114	359 \$
Drain & Overflow PVC / Chromed brass	WOCO14	371 \$

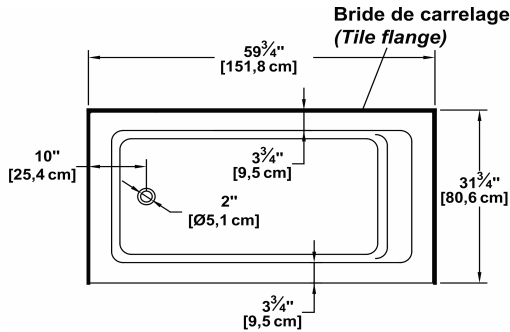
Complete Technical specifications at [www.oceania-attitude.com](http://www.oceania-attitude.com) will prevail at all times

Integrated acrylic tile flanges. Only one grab bar can be factory installed.

\*\*See the options chart on pages 70 to 73 of this document for all available colors and finishes

## Pure 6032 (left hand drain)

Alcove installation, flanges on 3 sides



Complete Technical specifications at [www.oceania-attitude.com](http://www.oceania-attitude.com) will prevail at all times

## Integrated front skirt

60" x 32" x 18" [152,4 cm x 81,3 cm x 45,7 cm]  
35 IMP Gal. / 45.70 US Gal. / 159.10 Liters

### Retail price

Product Code	Model	Price
<b>PU6032L</b>	Soaker	<b>1,868 \$</b>
<b>PU6032LCA</b>	Comfort air™	<b>4,848 \$</b>
<b>PU6032LAM</b>	AeroMassage™	<b>5,997 \$</b>
<b>Not available</b>	Super AeroMassage™	<b>N/A</b>
<b>PU6032LLI</b>	Linear cutout	<b>1,868 \$</b>

Standard color : White(01)

Returns accepted on white product only

### Options\*\*

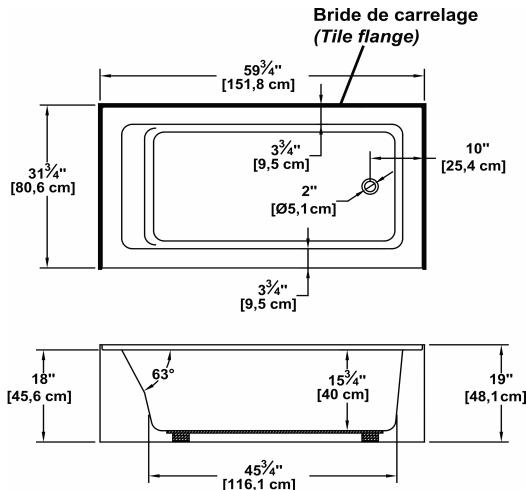
	Code	Add
White acrylic grab bar (each)	G01	216 \$
Acrylic Biscuit Color	INT02	1532 \$
Acrylic Black Color	INT48	1532 \$
No front skirt, cut at 2" high	JC2	0 \$
Chromatherapy lights	MLC	1145 \$
White floating remote control	RC01	593 \$
Chrome Linear overflow and drain	BDW-114	359 \$
Drain & Overflow PVC / Chromed brass	WOCO14	371 \$

Integrated acrylic tile flanges. If system, delivered with keypad not installed. Only one grab bar can be factory installed.

\*\*See the options chart on pages 70 to 73 of this document for all available colors and finishes

## Pure 6032 (right hand drain)

Alcove installation, flanges on 3 sides



Complete Technical specifications at [www.oceania-attitude.com](http://www.oceania-attitude.com) will prevail at all times

## Integrated front skirt

60" x 32" x 18" [152,4 cm x 81,3 cm x 45,7 cm]  
35 IMP Gal. / 45.70 US Gal. / 159.10 Liters

### Retail price

Product Code	Model	Price
<b>PU6032R</b>	Soaker	<b>1,868 \$</b>
<b>PU6032RCA</b>	Comfort air™	<b>4,848 \$</b>
<b>PU6032RAM</b>	AeroMassage™	<b>5,997 \$</b>
<b>Not available</b>	Super AeroMassage™	<b>N/A</b>
<b>PU6032RLI</b>	Linear cutout	<b>1,868 \$</b>

Standard color : White(01)

Returns accepted on white product only

### Options\*\*

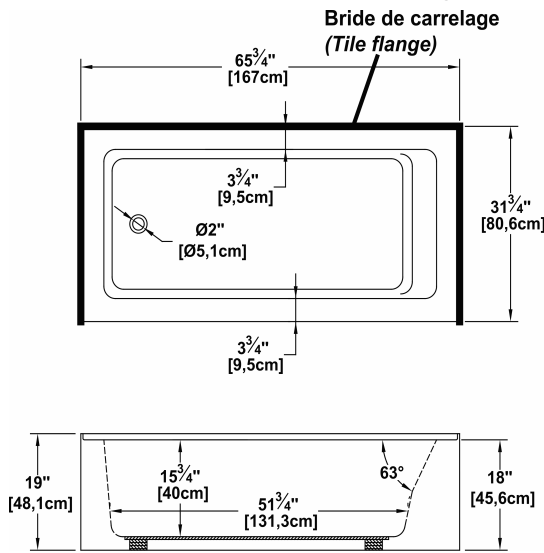
	Code	Add
White acrylic grab bar (each)	G01	216 \$
Acrylic Biscuit Color	INT02	1532 \$
Acrylic Black Color	INT48	1532 \$
No front skirt, cut at 2" high	JC2	0 \$
Chromatherapy lights	MLC	1145 \$
White floating remote control	RC01	593 \$
Chrome Linear overflow and drain	BDW-114	359 \$
Drain & Overflow PVC / Chromed brass	WOCO14	371 \$

Integrated acrylic tile flanges. If system, delivered with keypad not installed. Only one grab bar can be factory installed.

\*\*See the options chart on pages 70 to 73 of this document for all available colors and finishes

## Pure 6632 (left hand drain)

Alcove installation, flanges on 3 sides



Complete Technical specifications at [www.oceania-attitude.com](http://www.oceania-attitude.com) will prevail at all times

## Integrated front skirt

66" x 32" x 18" [167,6 cm x 81,3 cm x 45,7 cm]  
41 IMP Gal. / 535.00 US Gal. / 1,864.00 Liters

Retail price

Product Code	Model	Price
<b>PU6632L</b>	Soaker	<b>2,432 \$</b>
<b>PU6632LCA</b>	Comfort air™	<b>5,534 \$</b>
<b>PU6632LAM</b>	AeroMassage™	<b>6,735 \$</b>
<b>PU6632LSA</b>	Super AeroMassage™	<b>7,775 \$</b>
<b>PU6632LLI</b>	Linear cutout	<b>2,432 \$</b>

Standard color : White(01)

Returns accepted on white product only

Options\*\*

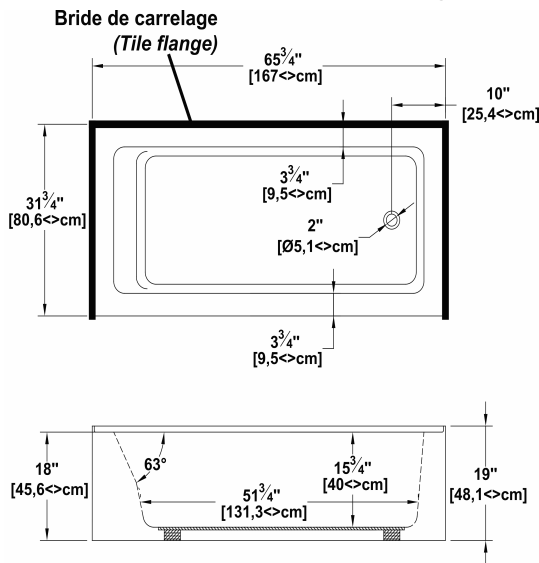
	Code	Add
White acrylic grab bar (each)	G01	216 \$
Acrylic Biscuit Color	INT02	1532 \$
Acrylic Black Color	INT48	1532 \$
No front skirt, cut at 2" high	JC2	0 \$
Chromatherapy lights	MLC	1145 \$
White floating remote control	RC01	593 \$
Chrome Linear overflow and drain	BDW-114	359 \$
Drain & Overflow PVC / Chromed brass	WOCO14	371 \$

Integrated acrylic tile flanges. If system, delivered with keypad not installed. Only one grab bar can be factory installed.

\*\*See the options chart on pages 70 to 73 of this document for all available colors and finishes

## Pure 6632 (right hand drain)

Alcove installation, flanges on 3 sides



Complete Technical specifications at [www.oceania-attitude.com](http://www.oceania-attitude.com) will prevail at all times

## Integrated front skirt

66" x 32" x 18" [167,6 cm x 81,3 cm x 45,7 cm]  
41 IMP Gal. / 535.00 US Gal. / 1,844.00 Liters

Retail price

Product Code	Model	Price
<b>PU6632R</b>	Soaker	<b>2,432 \$</b>
<b>PU6632RCA</b>	Comfort air™	<b>5,534 \$</b>
<b>PU6632RAM</b>	AeroMassage™	<b>6,735 \$</b>
<b>PU6632RSA</b>	Super AeroMassage™	<b>7,775 \$</b>
<b>PU6632RLI</b>	Linear cutout	<b>2,432 \$</b>

Standard color : White(01)

Returns accepted on white product only

Options\*\*

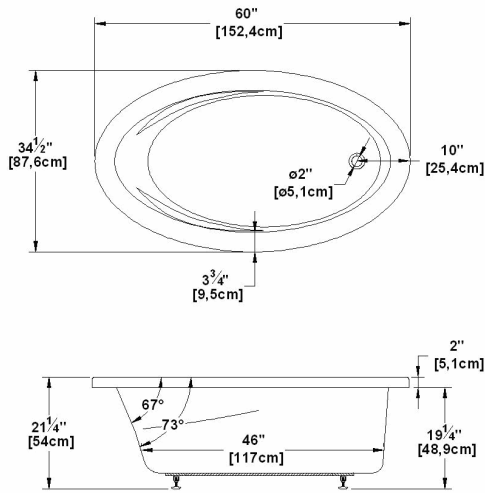
	Code	Add
White acrylic grab bar (each)	G01	216 \$
Acrylic Biscuit Color	INT02	1532 \$
Acrylic Black Color	INT48	1532 \$
No front skirt, cut at 2" high	JC2	0 \$
Chromatherapy lights	MLC	1145 \$
White floating remote control	RC01	593 \$
Chrome Linear overflow and drain	BDW-114	359 \$
Drain & Overflow PVC / Chromed brass	WOCO14	371 \$

Integrated acrylic tile flanges. If system, delivered with keypad not installed. Only one grab bar can be factory installed.

\*\*See the options chart on pages 70 to 73 of this document for all available colors and finishes

## Rose 60

60" x 35" x 21" [152,4 cm x 88,9 cm x 53,3 cm]  
41 IMP Gal. / 53.50 US Gal. / 186.40 Liters



Complete Technical specifications at [www.oceania-attitude.com](http://www.oceania-attitude.com) will prevail at all times

### Retail price

Product Code	Model	Price
<b>RO60</b>	Soaker	<b>2,366 \$</b>
<b>RO60CA</b>	Comfort air™	<b>4,332 \$</b>
<b>RO60AM</b>	AeroMassage™	<b>5,585 \$</b>
<b>Not available</b>	Super AeroMassage™	<b>N/A</b>
<b>Not available</b>	Linear cutout	<b>N/A</b>

Standard color : White(01)

Returns accepted on white product only

### Options\*\*

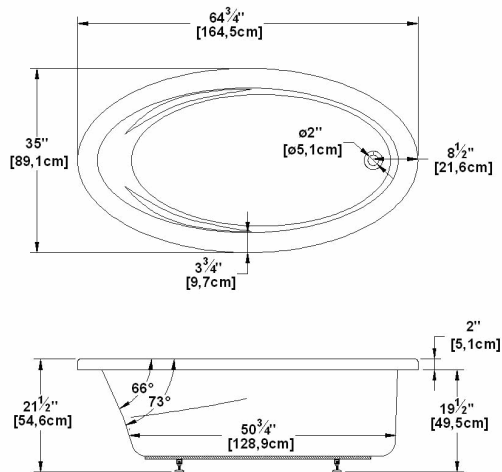
	Code	Add
White acrylic grab bar (each)	G01	216 \$
Acrylic Biscuit Color	INT02	1532 \$
Acrylic Black Color	INT48	1532 \$
Chromatherapy lights	MLC	1145 \$
White floating remote control	RC01	593 \$
Drain & Overflow PVC / Chromed brass	WOCO14	371 \$

*Keypad not installed when ordered with remote control.*

**\*\*See the options chart on pages 70 to 73 of this document for all available colors and finishes**

## Rose 65

65" x 35" x 21" [165,1 cm x 88,9 cm x 53,3 cm]  
45 IMP Gal. / 58.70 US Gal. / 204.60 Liters



Complete Technical specifications at [www.oceania-attitude.com](http://www.oceania-attitude.com) will prevail at all times

### Retail price

Product Code	Model	Price
<b>RO65</b>	Soaker	<b>2,653 \$</b>
<b>RO65CA</b>	Comfort air™	<b>4,583 \$</b>
<b>RO65AM</b>	AeroMassage™	<b>5,575 \$</b>
<b>Not available</b>	Super AeroMassage™	<b>N/A</b>
<b>Not available</b>	Linear cutout	<b>N/A</b>

Standard color : White(01)

Returns accepted on white product only

### Options\*\*

	Code	Add
White acrylic grab bar (each)	G01	216 \$
Acrylic Biscuit Color	INT02	1532 \$
Acrylic Black Color	INT48	1532 \$
Chromatherapy lights	MLC	1145 \$
White floating remote control	RC01	593 \$
Drain & Overflow PVC / Chromed brass	WOCO14	371 \$

*Keypad not installed when ordered with remote control.*

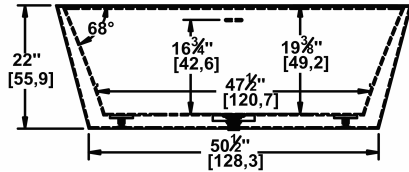
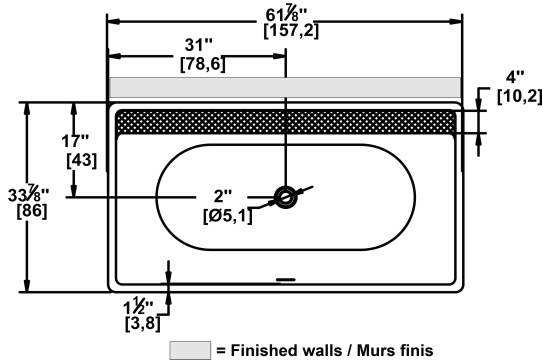
**\*\*See the options chart on pages 70 to 73 of this document for all available colors and finishes**

# Rupert 62 Freestanding

One-piece freestanding bath

62" x 34" x 22" [157,5 cm x 86,4 cm x 55,9 cm]  
46 IMP Gal. / 60.00 US Gal. / 2,091.00 Liters

## Authentik Signature Series



Complete Technical specifications at [www.oceania-attitude.com](http://www.oceania-attitude.com) will prevail at all times

### Retail price

Product Code	Model	Price
<b>RU62</b>	Soaker	<b>4,368 \$</b>
<b>Not available</b>	Comfort air™	<b>N/A</b>
<b>RU62AM</b>	AeroMassage™	<b>8,137 \$</b>
<b>Not available</b>	Super AeroMassage™	<b>N/A</b>
<b>Not available</b>	Linear cutout	<b>N/A</b>

Standard color : White(01)

Returns accepted on white product only

### Options\*\*

	Code	Add
Glossy black acrylic exterior	EXT48	1532 \$
Exterior MATTE WHITE acrylic	EXT01M	1415 \$
Exterior MATTE CUSTOM COLOR	EXTXXM	2371 \$
Interior/Exterior MATTE WHITE acrylic	INT-EXT01M	1725 \$
Special Exterior Finish see Page 73	SWXX	2963 \$
Drain cover - Chrome	INF114	184 \$
Drain cover - White	INF101	0 \$
Drain cover - Matte Black	INF148M	184 \$
Chromatherapy lights	MLC	1145 \$
Floor drain for freestanding baths	FBQD	396 \$

**WARNING: The interior is available in white only.**

*Default exterior finish : white acrylic. The overflow is factory installed, the chrome drain is included but not installed. When ordered with AeroMassage, blower must be remote mounted. If system, delivered with keypad not installed and remote control is included. The Chromatherapy option is only available with the AeroMassage option.*

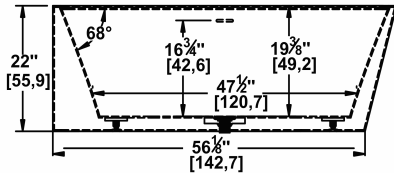
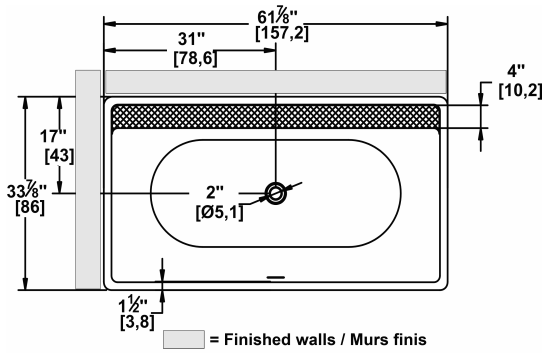
**\*\*See the options chart on pages 70 to 73 of this document for all available colors and finishes**

# oceania

water • attitude

## Rupert 62 SFR

Authentik Signature Series



Complete Technical specifications at [www.oceania-attitude.com](http://www.oceania-attitude.com) will prevail at all times

## Left corner installation

62" x 34" x 22" [157,5 cm x 86,4 cm x 55,9 cm]  
46 IMP Gal. / 60.00 US Gal. / 2,091.00 Liters

### Retail price

Product Code	Model	Price
<b>RU62SFR</b>	Soaker	<b>4,368 \$</b>
<b>Not available</b>	Comfort air™	<b>N/A</b>
<b>RU62SFRAM</b>	AeroMassage™	<b>8,137 \$</b>
<b>Not available</b>	Super AeroMassage™	<b>N/A</b>
<b>Not available</b>	Linear cutout	<b>N/A</b>

Standard color : White(01)

Returns accepted on white product only

### Options\*\*

	Code	Add
Glossy black acrylic exterior	EXT48	1532 \$
Exterior MATTE WHITE acrylic	EXT01M	1415 \$
Exterior MATTE CUSTOM COLOR	EXTXXM	2371 \$
Interior/Exterior MATTE WHITE acrylic	INT-EXT01M	1725 \$
Special Exterior Finish see Page 73	SWXX	2963 \$
Drain cover - Chrome	INF114	184 \$
Drain cover - White	INF101	0 \$
Drain cover - Matte Black	INF148M	184 \$
Chromatherapy lights	MLC	1145 \$
Floor drain for freestanding baths	FBQD	396 \$

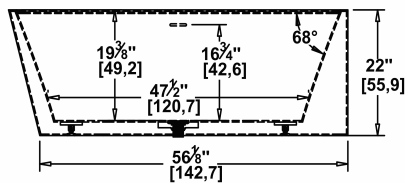
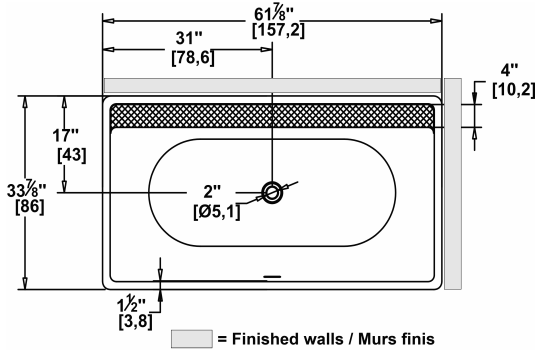
**WARNING: The interior is available in white only.**

*Default exterior finish : white acrylic. The overflow is factory installed, the chrome drain is included but not installed. When ordered with AeroMassage, blower must be remote mounted. If system, delivered with keypad not installed and remote control is included. The Chromatherapy option is only available with the AeroMassage option.*

**\*\*See the options chart on pages 70 to 73 of this document for all available colors and finishes**

## Rupert 62 SFL

Authentik Signature Series



Complete Technical specifications at [www.oceania-attitude.com](http://www.oceania-attitude.com) will prevail at all times

## Right corner installation

62" x 34" x 22" [157,5 cm x 86,4 cm x 55,9 cm]  
46 IMP Gal. / 60.00 US Gal. / 2,091.00 Liters

### Retail price

Product Code	Model	Price
<b>RU62SFL</b>	Soaker	<b>4,368 \$</b>
<b>Not available</b>	Comfort air™	<b>N/A</b>
<b>RU62SFLAM</b>	AeroMassage™	<b>8,137 \$</b>
<b>Not available</b>	Super AeroMassage™	<b>N/A</b>
<b>Not available</b>	Linear cutout	<b>N/A</b>

Standard color : White(01)

Returns accepted on white product only

### Options\*\*

	Code	Add
Glossy black acrylic exterior	EXT48	1532 \$
Exterior MATTE WHITE acrylic	EXT01M	1415 \$
Exterior MATTE CUSTOM COLOR	EXTXXM	2371 \$
Interior/Exterior MATTE WHITE acrylic	INT-EXT01M	1725 \$
Special Exterior Finish see Page 73	SWXX	2963 \$
Drain cover - Chrome	INF114	184 \$
Drain cover - White	INF101	0 \$
Drain cover - Matte Black	INF148M	184 \$
Chromatherapy lights	MLC	1145 \$
Floor drain for freestanding baths	FBQD	396 \$

**WARNING: The interior is available in white only.**

*Default exterior finish : white acrylic. The overflow is factory installed, the chrome drain is included but not installed. When ordered with AeroMassage, blower must be remote mounted. If system, delivered with keypad not installed and remote control is included. The Chromatherapy option is only available with the AeroMassage option.*

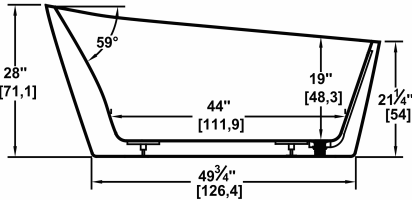
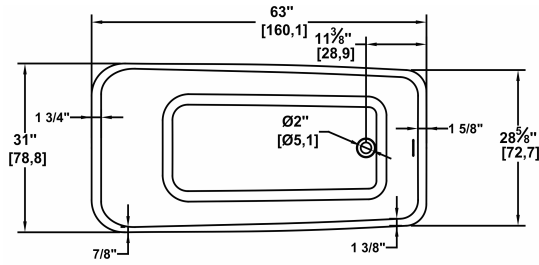
**\*\*See the options chart on pages 70 to 73 of this document for all available colors and finishes**

# Sikome 63 Freestanding

## One-piece freestanding bath

63" x 31" x 28" [160,0 cm x 78,7 cm x 71,1 cm]  
58,5 IMP Gal. / 76.30 US Gal. / 265.30 Liters

### Authentik Signature Series



Complete Technical specifications at [www.oceania-attitude.com](http://www.oceania-attitude.com) will prevail at all times

Product Code	Model	Price
<b>SI63</b>	Soaker	<b>4,368 \$</b>
<b>Not available</b>	Comfort air™	<b>N/A</b>
<b>SI63AM</b>	AeroMassage™	<b>8,137 \$</b>
<b>Not available</b>	Super AeroMassage™	<b>N/A</b>
<b>Not available</b>	Linear cutout	<b>N/A</b>

Standard color : White(01)

Returns accepted on white product only

Options**	Code	Add
Glossy black acrylic exterior	EXT48	1532 \$
Exterior MATTE WHITE acrylic	EXT01M	1415 \$
Exterior MATTE CUSTOM COLOR	EXTXXM	2371 \$
Interior/Exterior MATTE WHITE acrylic	INT-EXT01M	1725 \$
Special Exterior Finish see Page 73	SWXX	2963 \$
Drain cover - Chrome	INF114	184 \$
Drain cover - White	INF101	0 \$
Drain cover - Matte Black	INF148M	184 \$
Chromatherapy lights	MLC	1145 \$
Floor drain for freestanding baths	FBQD	396 \$

**WARNING: The interior is available in white only.**

*Default exterior finish : white acrylic. The overflow is factory installed, the chrome drain is included but not installed. When ordered with AeroMassage, blower must be remote mounted. If system, delivered with keypad not installed and remote control is included. The Chromatherapy option is only available with the AeroMassage option.*

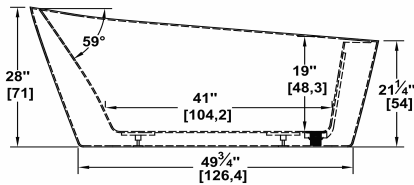
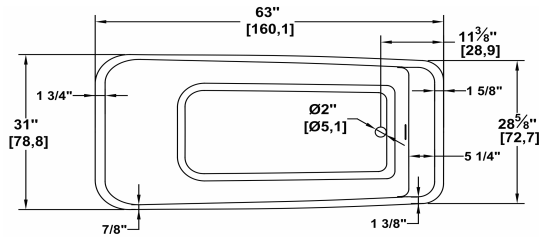
**\*\*See the options chart on pages 70 to 73 of this document for all available colors and finishes**

# Sikome 63 deck mount faucets

## One-piece freestanding bath

63" x 31" x 28" [160,0 cm x 78,7 cm x 71,1 cm]  
55 IMP Gal. / 71.70 US Gal. / 250.00 Liters

### Authentik Signature Series



Complete Technical specifications at [www.oceania-attitude.com](http://www.oceania-attitude.com) will prevail at all times

Product Code	Model	Price
<b>SI63DMF</b>	Soaker	<b>4,368 \$</b>
<b>Not available</b>	Comfort air™	<b>N/A</b>
<b>SI63DMFAM</b>	AeroMassage™	<b>8,137 \$</b>
<b>Not available</b>	Super AeroMassage™	<b>N/A</b>
<b>Not available</b>	Linear cutout	<b>N/A</b>

Standard color : White(01)

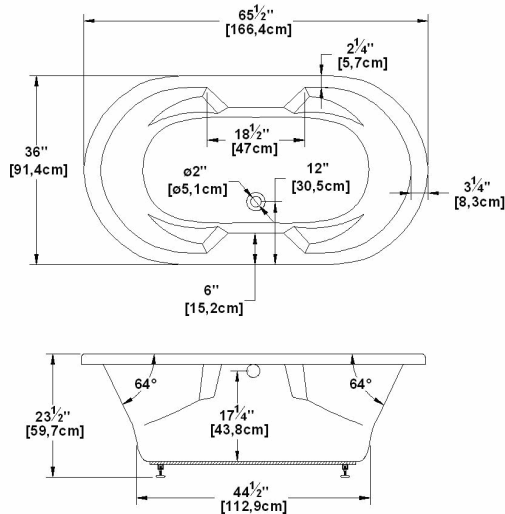
Returns accepted on white product only

Options**	Code	Add
Glossy black acrylic exterior	EXT48	1532 \$
Exterior MATTE WHITE acrylic	EXT01M	1415 \$
Exterior MATTE CUSTOM COLOR	EXTXXM	2371 \$
Interior/Exterior MATTE WHITE acrylic	INT-EXT01M	1725 \$
Special Exterior Finish see Page 73	SWXX	2963 \$
Drain cover - Chrome	INF114	184 \$
Drain cover - White	INF101	0 \$
Drain cover - Matte Black	INF148M	184 \$
Chromatherapy lights	MLC	1145 \$
Floor drain for freestanding baths	FBQD	396 \$

**WARNING: The interior is available in white only.**

*Default exterior finish : white acrylic. The overflow is factory installed, the chrome drain is included but not installed. When ordered with AeroMassage, blower must be remote mounted. If system, delivered with keypad not installed and remote control is included. The Chromatherapy option is only available with the AeroMassage option.*

**\*\*See the options chart on pages 70 to 73 of this document for all available colors and finishes**



Complete Technical specifications at [www.oceania-attitude.com](http://www.oceania-attitude.com) will prevail at all times

Retail price

Product Code	Model	Price
<b>SO66</b>	Soaker	<b>2,603 \$</b>
<b>SO66CA</b>	Comfort air™	<b>4,337 \$</b>
<b>SO66AM</b>	AeroMassage™	<b>5,444 \$</b>
<b>SO66SA</b>	Super AeroMassage™	<b>6,740 \$</b>
<b>SO66LI</b>	Linear cutout	<b>2,603 \$</b>

Standard color : White(01)

Returns accepted on white product only

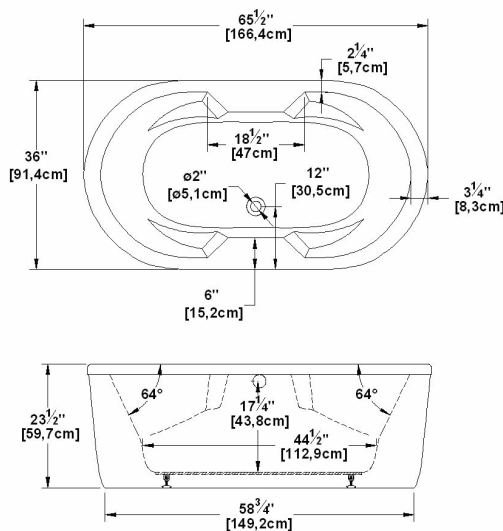
Options\*\*

	Code	Add
White acrylic grab bar (each)	G01	216 \$
Acrylic Biscuit Color	INT02	1532 \$
Acrylic Black Color	INT48	1532 \$
Chromatherapy lights	MLC	1145 \$
White floating remote control	RC01	593 \$
Chrome Linear overflow and drain	BDW-114	359 \$
Drain & Overflow PVC / Chromed brass	WOCO14	371 \$

**Keypad not installed when ordered with remote control. Only one grab bar can be factory installed.**

**\*\*See the options chart on pages 70 to 73 of this document for all available colors and finishes**

Sophia 66 Freestanding



Complete Technical specifications at [www.oceania-attitude.com](http://www.oceania-attitude.com) will prevail at all times

Retail price

Product Code	Model	Price
<b>SO66FS</b>	Soaker	<b>4,204 \$</b>
<b>Not available</b>	Comfort air™	<b>N/A</b>
<b>SO66FSAM</b>	AeroMassage™	<b>6,380 \$</b>
<b>SO66FSSA</b>	Super AeroMassage™	<b>8,205 \$</b>
<b>SO66FSLI</b>	Linear cutout	<b>4,204 \$</b>

Standard color : White(01)

Returns accepted on white product only

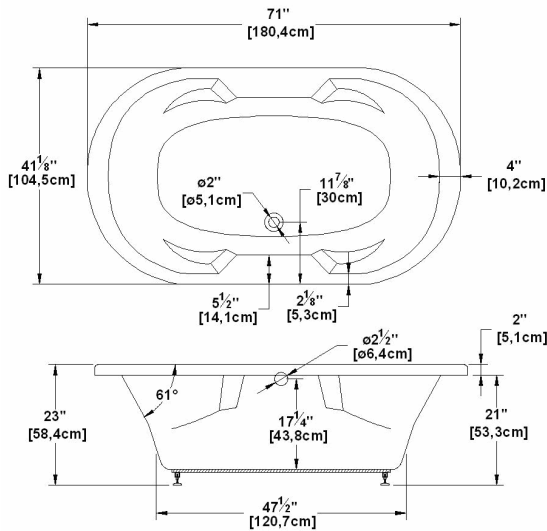
Options\*\*

	Code	Add
White acrylic grab bar (each)	G01	216 \$
Glossy black acrylic exterior	EXT48	1532 \$
Exterior MATTE WHITE acrylic	EXT01M	1415 \$
Chromatherapy lights	MLC	1145 \$
White floating remote control	RC01	593 \$
Floor drain for freestanding baths	FBQD	396 \$
Chrome Linear overflow and drain	BDW-114	359 \$
Flexible Drain & Overflow / Chromed brass	WOCOSBS14	590 \$

**WARNING: The interior is available in white only.**

**Default exterior finish : white acrylic. Over-flow must be installed with flexible piping. When ordered with AeroMassage or Super AeroMassage, blower must be remote mounted. Keypad not installed when ordered with remote control. Only one grab bar can be factory installed.**

**\*\*See the options chart on pages 70 to 73 of this document for all available colors and finishes**



Retail price

Product Code	Model	Price
<b>SO72</b>	Soaker	<b>2,758 \$</b>
<b>SO72CA</b>	Comfort air™	<b>4,679 \$</b>
<b>SO72AM</b>	AeroMassage™	<b>5,682 \$</b>
<b>SO72SA</b>	Super AeroMassage™	<b>6,882 \$</b>
<b>SO72LI</b>	Linear cutout	<b>2,758 \$</b>

Standard color : White(01)

Returns accepted on white product only

Options\*\*

	Code	Add
White acrylic grab bar (each)	G01	216 \$
Acrylic Biscuit Color	INT02	1532 \$
Acrylic Black Color	INT48	1532 \$
Chromatherapy lights	MLC	1145 \$
White floating remote control	RC01	593 \$
Chrome Linear overflow and drain	BDW-114	359 \$
Drain & Overflow PVC / Chromed brass	WOCO14	371 \$

Complete Technical specifications at [www.oceania-attitude.com](http://www.oceania-attitude.com) will prevail at all times

**Keypad not installed when ordered with remote control. Only one grab bar can be factory installed.**

**\*\*See the options chart on pages 70 to 73 of this document for all available colors and finishes**

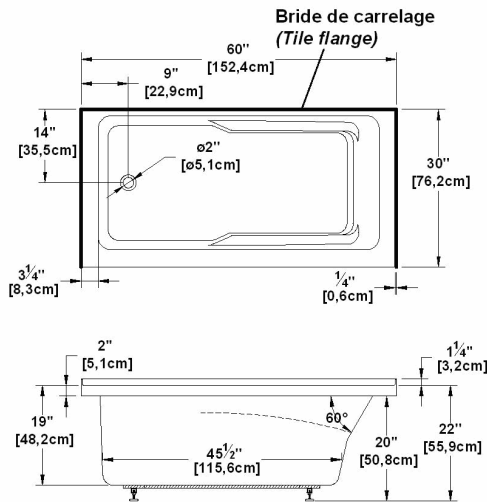
oceania  
water • attitude

## Sublime 6030 (left hand drain)

Integrated tile flanges on 3 sides

60" x 30" x 22" [152,4 cm x 76,2 cm x 55,9 cm]  
45 IMP Gal. / 58.70 US Gal. / 204.60 Liters

Alcove installation, flanges on 3 sides



Retail price

Product Code	Model	Price
SU6030L	Soaker	1,894 \$
SU6030LCA	Comfort air™	5,289 \$
SU6030LAM	AeroMassage™	6,041 \$
SU6030LSA	Super AeroMassage™	7,839 \$
SU6030LLI	Linear cutout	1,894 \$

Standard color : White(01)

Returns accepted on white product only

Options\*\*

	Code	Add
White acrylic grab bar (each)	G01	216 \$
Acrylic Biscuit Color	INT02	1532 \$
Acrylic Black Color	INT48	1532 \$
Removable White Skirt Panel for 60" baths	JA60	1166 \$
Chromatherapy lights	MLC	1145 \$
White floating remote control	RC01	593 \$
Chrome Linear overflow and drain	BDW-114	359 \$
Drain & Overflow PVC / Chromed brass	WOCO14	371 \$

Complete Technical specifications at [www.oceania-attitude.com](http://www.oceania-attitude.com) will prevail at all times

**WARNING: If this bath is multiple ordered nested, its height will be about 1-1/2" lower and will not have adjustable feet.**

*Integrated acrylic tile flanges. If system, delivered with keypad not installed.*

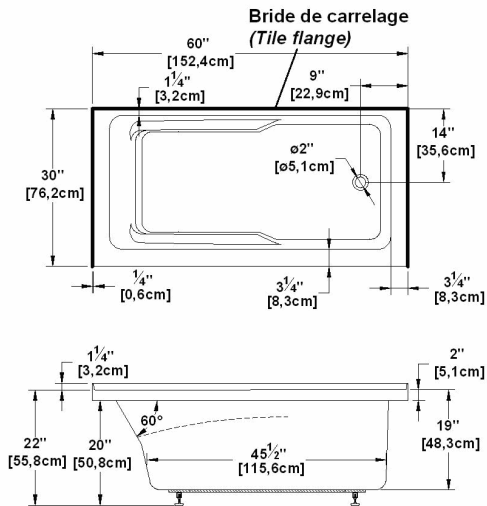
\*\*See the options chart on pages 70 to 73 of this document for all available colors and finishes

## Sublime 6030 (right hand drain)

Integrated tile flanges on 3 sides

60" x 30" x 22" [152,4 cm x 76,2 cm x 55,9 cm]  
45 IMP Gal. / 58.70 US Gal. / 204.60 Liters

Alcove installation, flanges on 3 sides



Retail price

Product Code	Model	Price
SU6030R	Soaker	1,894 \$
SU6030RCA	Comfort air™	5,289 \$
SU6030RAM	AeroMassage™	6,041 \$
SU6030RSA	Super AeroMassage™	7,839 \$
SU6030RLI	Linear cutout	1,894 \$

Standard color : White(01)

Returns accepted on white product only

Options\*\*

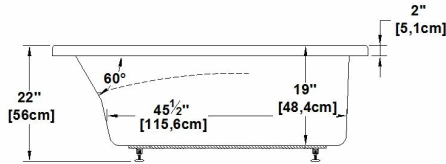
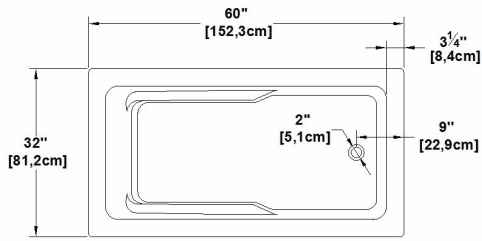
	Code	Add
White acrylic grab bar (each)	G01	216 \$
Acrylic Biscuit Color	INT02	1532 \$
Acrylic Black Color	INT48	1532 \$
Removable White Skirt Panel for 60" baths	JA60	1166 \$
Chromatherapy lights	MLC	1145 \$
White floating remote control	RC01	593 \$
Chrome Linear overflow and drain	BDW-114	359 \$
Drain & Overflow PVC / Chromed brass	WOCO14	371 \$

Complete Technical specifications at [www.oceania-attitude.com](http://www.oceania-attitude.com) will prevail at all times

**WARNING: If this bath is multiple ordered nested, its height will be about 1-1/2" lower and will not have adjustable feet.**

*Integrated acrylic tile flanges. If system, delivered with keypad not installed.*

\*\*See the options chart on pages 70 to 73 of this document for all available colors and finishes



Complete Technical specifications at [www.oceania-attitude.com](http://www.oceania-attitude.com) will prevail at all times

Retail price

Product Code	Model	Price
SU6032	Soaker	1,894 \$
SU6032CA	Comfort air™	5,087 \$
SU6032AM	AeroMassage™	6,041 \$
SU6032SA	Super AeroMassage™	7,890 \$
SU6032LI	Linear cutout	1,894 \$

Standard color : White(01)

Returns accepted on white product only

Options\*\*

	Code	Add
White acrylic grab bar (each)	G01	216 \$
Acrylic Biscuit Color	INT02	1532 \$
Acrylic Black Color	INT48	1532 \$
Removable White Skirt Panel for 60" baths	JA60	1166 \$
Low-Profile bath lip	LP	329 \$
Chromatherapy lights	MLC	1145 \$
White floating remote control	RC01	593 \$
Tile flange for baths, see page 55	TF	228 \$
Chrome Linear overflow and drain	BDW-114	359 \$
Drain & Overflow PVC / Chromed brass	WOCO14	371 \$

**WARNING: If this bath is multiple ordered nested, its height will be about 1-1/2" lower and will not have adjustable feet.**

*Keypad supplied but not installed when ordered with tile flanges or remote control.*

**\*\*See the options chart on pages 70 to 73 of this document for all available colors and finishes**

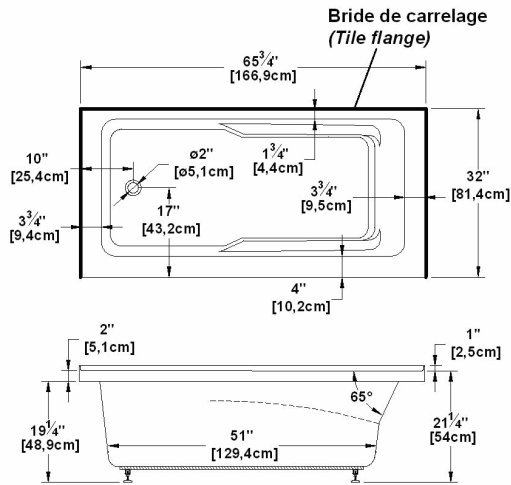
oceania  
water • attitude

## Sublime 6632 (left hand drain)

Integrated tile flanges on 3 sides

66" x 32" x 21.5" [167,6 cm x 81,3 cm x 54,6 cm]  
46 IMP Gal. / 60.00 US Gal. / 209.10 Liters

Alcove installation, flanges on 3 sides



Retail price

Product Code	Model	Price
SU6632L	Soaker	2,078 \$
SU6632LCA	Comfort air™	5,358 \$
SU6632LAM	AeroMassage™	6,872 \$
SU6632LSA	Super AeroMassage™	8,245 \$
SU6632LLI	Linear cutout	2,078 \$

Standard color : White(01)

Returns accepted on white product only

Complete Technical specifications at [www.oceania-attitude.com](http://www.oceania-attitude.com) will prevail at all times

Options\*\*

	Code	Add
White acrylic grab bar (each)	G01	216 \$
Acrylic Biscuit Color	INT02	1532 \$
Acrylic Black Color	INT48	1532 \$
Removable White Skirt Panel for 66" baths	JA66	1222 \$
Chromatherapy lights	MLC	1145 \$
White floating remote control	RC01	593 \$
Chrome Linear overflow and drain	BDW-114	359 \$
Drain & Overflow PVC / Chromed brass	WOCO14	371 \$

**WARNING: If this bath is multiple ordered nested, its height will be about 1-1/2" lower and will not have adjustable feet.**

*Integrated acrylic tile flanges. If system, delivered with keypad not installed.*

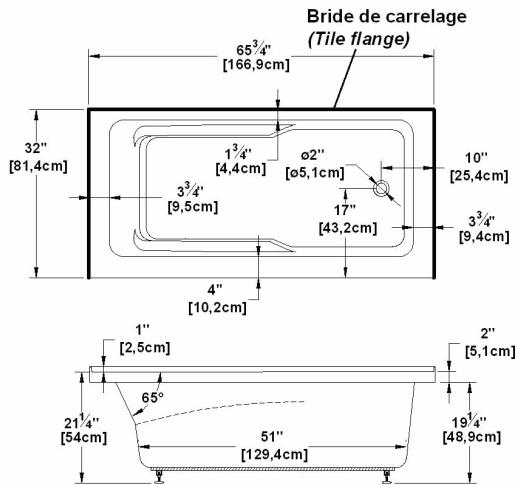
\*\*See the options chart on pages 70 to 73 of this document for all available colors and finishes

## Sublime 6632 (right hand drain)

Integrated tile flanges on 3 sides

66" x 32" x 21.5" [167,6 cm x 81,3 cm x 54,6 cm]  
46 IMP Gal. / 60.00 US Gal. / 209.10 Liters

Alcove installation, flanges on 3 sides



Retail price

Product Code	Model	Price
SU6632R	Soaker	2,078 \$
SU6632RCA	Comfort air™	5,358 \$
SU6632RAM	AeroMassage™	6,872 \$
SU6632RSA	Super AeroMassage™	8,245 \$
SU6632RLI	Linear cutout	2,078 \$

Standard color : White(01)

Returns accepted on white product only

Complete Technical specifications at [www.oceania-attitude.com](http://www.oceania-attitude.com) will prevail at all times

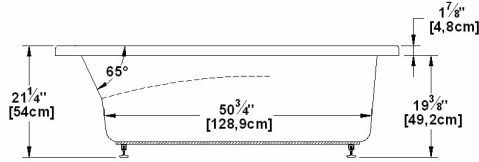
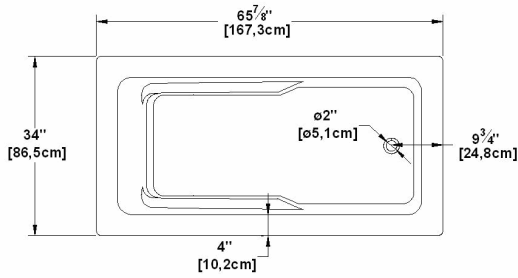
Options\*\*

	Code	Add
White acrylic grab bar (each)	G01	216 \$
Acrylic Biscuit Color	INT02	1532 \$
Acrylic Black Color	INT48	1532 \$
Removable White Skirt Panel for 66" baths	JA66	1222 \$
Chromatherapy lights	MLC	1145 \$
White floating remote control	RC01	593 \$
Chrome Linear overflow and drain	BDW-114	359 \$
Drain & Overflow PVC / Chromed brass	WOCO14	371 \$

**WARNING: If this bath is multiple ordered nested, its height will be about 1-1/2" lower and will not have adjustable feet.**

*Integrated acrylic tile flanges. If system, delivered with keypad not installed.*

\*\*See the options chart on pages 70 to 73 of this document for all available colors and finishes



Complete Technical specifications at [www.oceania-attitude.com](http://www.oceania-attitude.com) will prevail at all times

Retail price

Product Code	Model	Price
<b>SU6634</b>	Soaker	<b>2,078 \$</b>
<b>SU6634CA</b>	Comfort air™	<b>5,358 \$</b>
<b>SU6634AM</b>	AeroMassage™	<b>6,872 \$</b>
<b>SU6634SA</b>	Super AeroMassage™	<b>8,245 \$</b>
<b>SU6634LI</b>	Linear cutout	<b>2,078 \$</b>

Standard color : White(01)

Returns accepted on white product only

Options\*\*

	Code	Add
White acrylic grab bar (each)	G01	216 \$
Acrylic Biscuit Color	INT02	1532 \$
Acrylic Black Color	INT48	1532 \$
Removable White Skirt Panel for 66" baths	JA66	1222 \$
Low-Profile bath lip	LP	329 \$
Chromatherapy lights	MLC	1145 \$
White floating remote control	RC01	593 \$
Tile flange for baths, see page 55	TF	228 \$
Chrome Linear overflow and drain	BDW-114	359 \$
Drain & Overflow PVC / Chromed brass	WOCO14	371 \$

**WARNING: If this bath is multiple ordered nested, its height will be about 1-1/2" lower and will not have adjustable feet.**

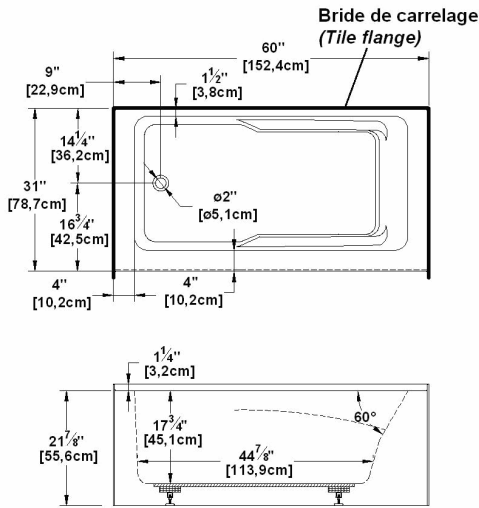
*Keypad supplied but not installed when ordered with tile flanges or remote control.*

**\*\*See the options chart on pages 70 to 73 of this document for all available colors and finishes**

oceania  
water • attitude

## Suite 6031 L-SF

### Left hand drain, 1 Skirt (Front)



Complete Technical specifications at [www.oceania-attitude.com](http://www.oceania-attitude.com) will prevail at all times

## 1 integrated skirt

60" x 31" x 22" [152,4 cm x 78,7 cm x 55,9 cm]  
40 IMP Gal. / 522.00 US Gal. / 1,818.00 Liters

### Retail price

Product Code	Model	Price
SU6031LSF	Soaker	2,562 \$
SU6031LSFCA	Comfort air™	6,305 \$
SU6031LSFAM	AeroMassage™	6,943 \$
SU6031LSFSA	Super AeroMassage™	8,797 \$
SU6031LSFLI	Linear cutout	2,562 \$

Standard color : White(01)

Returns accepted on white product only

### Options\*\*

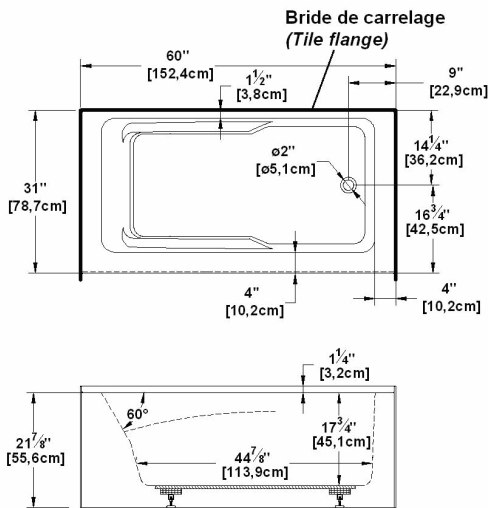
	Code	Add
White acrylic grab bar (each)	G01	216 \$
Chromatherapy lights	MLC	1145 \$
White floating remote control	RC01	593 \$
Chrome Linear overflow and drain	BDW-114	359 \$
Drain & Overflow PVC / Chromed brass	WOCO14	371 \$

**Integrated acrylic tile flanges. If system, delivered with keypad not installed. Available in white only. Only one grab bar can be factory installed.**

**\*\*See the options chart on pages 70 to 73 of this document for all available colors and finishes**

## Suite 6031 R-SF

### Right hand drain, 1 Skirt (Front)



Complete Technical specifications at [www.oceania-attitude.com](http://www.oceania-attitude.com) will prevail at all times

## 1 integrated skirt

60" x 31" x 22" [152,4 cm x 78,7 cm x 55,9 cm]  
40 IMP Gal. / 522.00 US Gal. / 1,818.00 Liters

### Retail price

Product Code	Model	Price
SU6031RSF	Soaker	2,562 \$
SU6031RSFCA	Comfort air™	6,305 \$
SU6031RSFAM	AeroMassage™	6,943 \$
SU6031RSFSA	Super AeroMassage™	8,797 \$
SU6031RSFLI	Linear cutout	2,562 \$

Standard color : White(01)

Returns accepted on white product only

### Options\*\*

	Code	Add
White acrylic grab bar (each)	G01	216 \$
Chromatherapy lights	MLC	1145 \$
White floating remote control	RC01	593 \$
Chrome Linear overflow and drain	BDW-114	359 \$
Drain & Overflow PVC / Chromed brass	WOCO14	371 \$

**Integrated acrylic tile flanges. If system, delivered with keypad not installed. Available in white only. Only one grab bar can be factory installed.**

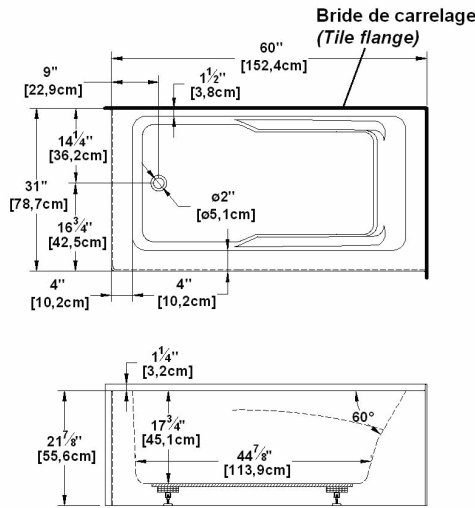
**\*\*See the options chart on pages 70 to 73 of this document for all available colors and finishes**

## Suite 6031LSFL (left drain)

2 Skirts (Front and Left)

60" x 31" x 22" [152,4 cm x 78,7 cm x 55,9 cm]  
40 IMP Gal. / 52.20 US Gal. / 181.80 Liters

### Authentik Signature Series



Complete Technical specifications at [www.oceania-attitude.com](http://www.oceania-attitude.com) will prevail at all times

#### Retail price

Product Code	Model	Price
<b>SU6031LSFL</b>	Soaker	<b>3,441 \$</b>
<b>SU6031LSFLCA</b>	Comfort air™	<b>6,999 \$</b>
<b>SU6031LSFLAM</b>	AeroMassage™	<b>7,558 \$</b>
<b>SU6031LSFLSA</b>	Super AeroMassage™	<b>9,410 \$</b>
<b>SU6031LSFLLI</b>	Linear cutout	<b>3,441 \$</b>

Standard color : White(01)

Returns accepted on white product only

#### Options\*\*

	Code	Add
Exterior MATTE CUSTOM COLOR	EXTXXM	2371 \$
Special Exterior Finish see Page 73	SWXX	2963 \$
White acrylic grab bar (each)	G01	216 \$
Chromatherapy lights	MLC	1145 \$
White floating remote control	RC01	593 \$
Installation panel DRAIN side	TI-DR	404 \$
Floor drain for freestanding baths	FBQD	396 \$
Chrome Linear overflow and drain	BDW-114	359 \$
Flexible Drain & Overflow / Chromed brass	WOCOSBS14	590 \$

**WARNING: The installation panel TI-DR is mandatory with the BDW series of drains.**

*Integrated acrylic tile flanges. If system, delivered with keypad not installed and blower must be remote mounted. Available in white only. Only one grab bar can be factory installed. Special Finish not available when ordered with installation panel.*

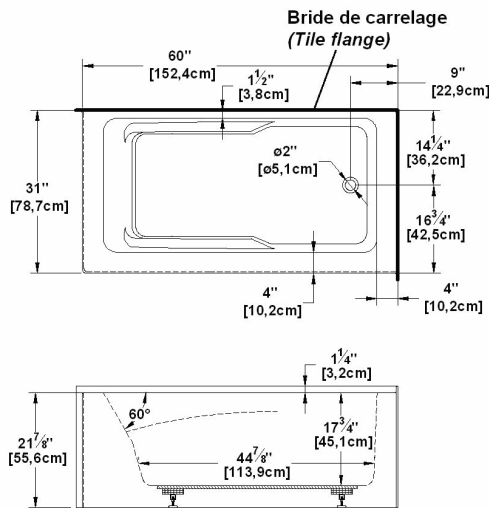
\*\*See the options chart on pages 70 to 73 of this document for all available colors and finishes

## Suite 6031RSFL (right drain)

2 Skirts (Front and Left)

60" x 31" x 22" [152,4 cm x 78,7 cm x 55,9 cm]  
40 IMP Gal. / 52.20 US Gal. / 181.80 Liters

### Authentik Signature Series



Complete Technical specifications at [www.oceania-attitude.com](http://www.oceania-attitude.com) will prevail at all times

#### Retail price

Product Code	Model	Price
<b>SU6031RSFL</b>	Soaker	<b>3,441 \$</b>
<b>SU6031RSFLCA</b>	Comfort air™	<b>6,999 \$</b>
<b>SU6031RSFLAM</b>	AeroMassage™	<b>7,558 \$</b>
<b>SU6031RSFLSA</b>	Super AeroMassage™	<b>9,410 \$</b>
<b>SU6031RSFLLI</b>	Linear cutout	<b>3,441 \$</b>

Standard color : White(01)

Returns accepted on white product only

#### Options\*\*

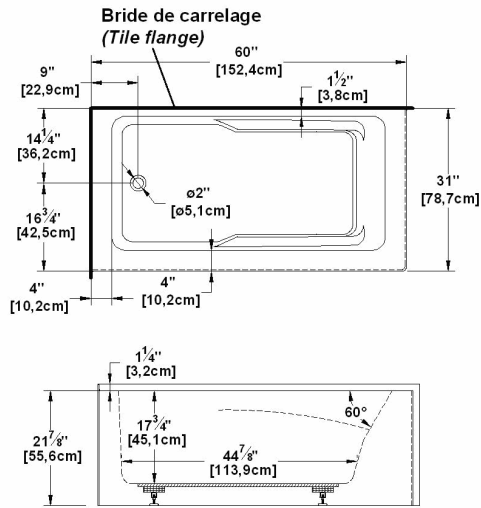
	Code	Add
Exterior MATTE CUSTOM COLOR	EXTXXM	2371 \$
Special Exterior Finish see Page 73	SWXX	2963 \$
White acrylic grab bar (each)	G01	216 \$
Chromatherapy lights	MLC	1145 \$
White floating remote control	RC01	593 \$
Installation panel BACK REST side	TI-DO	404 \$
Chrome Linear overflow and drain	BDW-114	359 \$
Drain & Overflow PVC / Chromed brass	WOCO14	371 \$

*Integrated acrylic tile flanges. If system, delivered with keypad not installed and blower must be remote mounted. Available in white only. Only one grab bar can be factory installed. Special Finish not available when ordered with installation panel.*

\*\*See the options chart on pages 70 to 73 of this document for all available colors and finishes

## Suite 6031LSFR (left drain)

### Authentik Signature Series



Complete Technical specifications at [www.oceania-attitude.com](http://www.oceania-attitude.com) will prevail at all times

## 2 Skirts (Front and Right)

60" x 31" x 22" [152,4 cm x 78,7 cm x 55,9 cm]  
40 IMP Gal. / 52.20 US Gal. / 181.80 Liters

#### Retail price

Product Code	Model	Price
<b>SU6031LSFR</b>	Soaker	<b>3,441 \$</b>
<b>SU6031LSFRCA</b>	Comfort air™	<b>6,999 \$</b>
<b>SU6031LSFRAM</b>	AeroMassage™	<b>7,558 \$</b>
<b>SU6031LSFRSA</b>	Super AeroMassage™	<b>9,410 \$</b>
<b>SU6031LSFRLI</b>	Linear cutout	<b>3,441 \$</b>

Standard color : White(01)

Returns accepted on white product only

#### Options\*\*

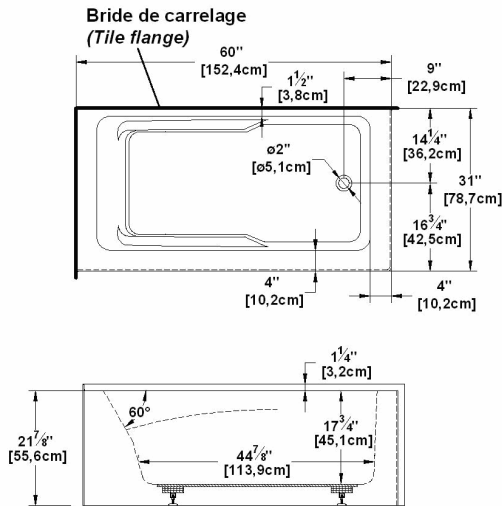
	Code	Add
Exterior MATTE CUSTOM COLOR	EXTXXM	2371 \$
Special Exterior Finish see Page 73	SWXX	2963 \$
White acrylic grab bar (each)	G01	216 \$
Chromatherapy lights	MLC	1145 \$
White floating remote control	RC01	593 \$
Installation panel BACK REST side	TI-DO	404 \$
Chrome Linear overflow and drain	BDW-114	359 \$
Drain & Overflow PVC / Chromed brass	WOCO14	371 \$

**Integrated acrylic tile flanges. If system, delivered with keypad not installed and blower must be remote mounted. Available in white only. Only one grab bar can be factory installed. Special Finish not available when ordered with installation panel.**

**\*\*See the options chart on pages 70 to 73 of this document for all available colors and finishes**

## Suite 6031RSFR (right drain)

### Authentik Signature Series



Complete Technical specifications at [www.oceania-attitude.com](http://www.oceania-attitude.com) will prevail at all times

## 2 Skirts (Front and Right)

60" x 31" x 22" [152,4 cm x 78,7 cm x 55,9 cm]  
40 IMP Gal. / 52.20 US Gal. / 181.80 Liters

#### Retail price

Product Code	Model	Price
<b>SU6031RSFR</b>	Soaker	<b>3,441 \$</b>
<b>SU6031RSFRCA</b>	Comfort air™	<b>6,999 \$</b>
<b>SU6031RSFRAM</b>	AeroMassage™	<b>7,558 \$</b>
<b>SU6031RSFRSA</b>	Super AeroMassage™	<b>9,410 \$</b>
<b>SU6031RSFRLI</b>	Linear cutout	<b>3,441 \$</b>

Standard color : White(01)

Returns accepted on white product only

#### Options\*\*

	Code	Add
Exterior MATTE CUSTOM COLOR	EXTXXM	2371 \$
Special Exterior Finish see Page 73	SWXX	2963 \$
White acrylic grab bar (each)	G01	216 \$
Chromatherapy lights	MLC	1145 \$
White floating remote control	RC01	593 \$
Installation panel DRAIN side	TI-DR	404 \$
Floor drain for freestanding baths	FBQD	396 \$
Chrome Linear overflow and drain	BDW-114	359 \$
Flexible Drain & Overflow / Chromed brass	WOCOSBS14	590 \$

**WARNING: The installation panel TI-DR is mandatory with the BDW series of drains.**

**Integrated acrylic tile flanges. If system, delivered with keypad not installed and blower must be remote mounted. Available in white only. Only one grab bar can be factory installed. Special Finish not available when ordered with installation panel.**

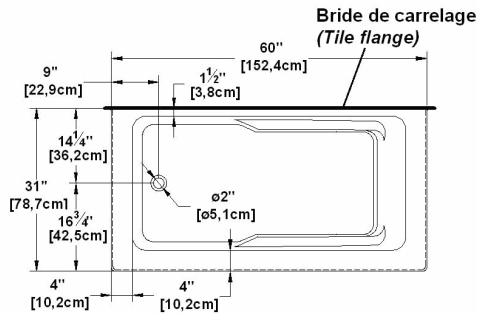
**\*\*See the options chart on pages 70 to 73 of this document for all available colors and finishes**

## Suite 6031LSFLR (left drain)

3 Skirts (Front, Left and Right)

60" x 31" x 22" [152,4 cm x 78,7 cm x 55,9 cm]  
40 IMP Gal. / 52.20 US Gal. / 181.80 Liters

### Authentik Signature Series



Complete Technical specifications at [www.oceania-attitude.com](http://www.oceania-attitude.com) will prevail at all times

#### Retail price

Product Code	Model	Price
<b>SU6031LSFLR</b>	Soaker	<b>4,032 \$</b>
<b>SU6031LSFLRCA</b>	Comfort air™	<b>7,763 \$</b>
<b>SU6031LSFLRAM</b>	AeroMassage™	<b>8,242 \$</b>
<b>SU6031LSFLRSA</b>	Super AeroMassage™	<b>10,094 \$</b>
<b>SU6031LSFLRLI</b>	Linear cutout	<b>4,032 \$</b>

Standard color : White(01)

Returns accepted on white product only

#### Options\*\*

	Code	Add
Exterior MATTE CUSTOM COLOR	EXTXXM	2371 \$
Special Exterior Finish see Page 73	SWXX	2963 \$
White acrylic grab bar (each)	G01	216 \$
Chromatherapy lights	MLC	1145 \$
White floating remote control	RC01	593 \$
Installation panel BACK REST side	TI-DO	404 \$
Installation panel DRAIN side	TI-DR	404 \$
Floor drain for freestanding baths	FBQD	396 \$
Flexible Drain & Overflow / Chromed brass	WOCOSBS14	590 \$
Chrome Linear overflow and drain	BDW-114	359 \$

**WARNING: The installation panel TI-DR is mandatory with the BDW series of drains.**

*Integrated acrylic tile flanges. If system, delivered with keypad not installed and blower must be remote mounted. Available in white only. Only one grab bar can be factory installed. Special Finish not available when ordered with installation panel.*

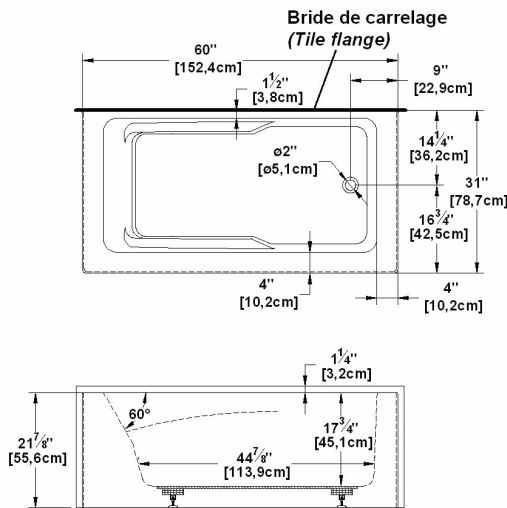
\*\*See the options chart on pages 70 to 73 of this document for all available colors and finishes

## Suite 6031RSFLR (right drain)

3 Skirts (Front, Left and Right)

60" x 31" x 22" [152,4 cm x 78,7 cm x 55,9 cm]  
40 IMP Gal. / 52.20 US Gal. / 181.80 Liters

### Authentik Signature Series



Complete Technical specifications at [www.oceania-attitude.com](http://www.oceania-attitude.com) will prevail at all times

#### Retail price

Product Code	Model	Price
<b>SU6031RSFLR</b>	Soaker	<b>4,032 \$</b>
<b>SU6031RSFLRCA</b>	Comfort air™	<b>7,763 \$</b>
<b>SU6031RSFLRAM</b>	AeroMassage™	<b>8,242 \$</b>
<b>SU6031RSFLRSA</b>	Super AeroMassage™	<b>10,094 \$</b>
<b>SU6031RSFLRLI</b>	Linear cutout	<b>4,032 \$</b>

Standard color : White(01)

Returns accepted on white product only

#### Options\*\*

	Code	Add
Exterior MATTE CUSTOM COLOR	EXTXXM	2371 \$
Special Exterior Finish see Page 73	SWXX	2963 \$
White acrylic grab bar (each)	G01	216 \$
Chromatherapy lights	MLC	1145 \$
White floating remote control	RC01	593 \$
Installation panel BACK REST side	TI-DO	404 \$
Installation panel DRAIN side	TI-DR	404 \$
Floor drain for freestanding baths	FBQD	396 \$
Flexible Drain & Overflow / Chromed brass	WOCOSBS14	590 \$
Chrome Linear overflow and drain	BDW-114	359 \$

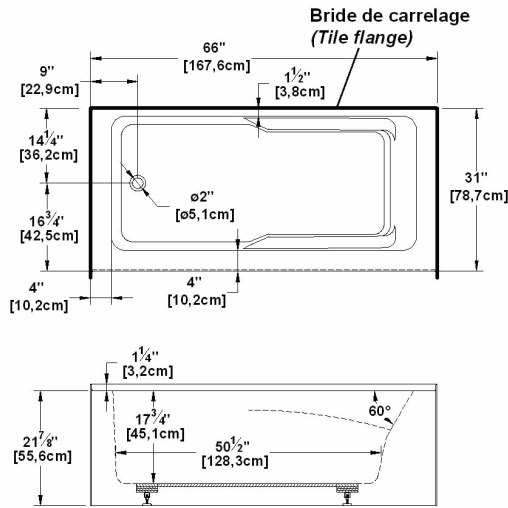
**WARNING: The installation panel TI-DR is mandatory with the BDW series of drains.**

*Integrated acrylic tile flanges. If system, delivered with keypad not installed and blower must be remote mounted. Available in white only. Only one grab bar can be factory installed. Special Finish not available when ordered with installation panel.*

\*\*See the options chart on pages 70 to 73 of this document for all available colors and finishes

## Suite 6631 L-SF

Left hand drain, 1 Skirt (Front)



Complete Technical specifications at [www.oceania-attitude.com](http://www.oceania-attitude.com) will prevail at all times

1 integrated skirt

66" x 31" x 22" [167,6 cm x 78,7 cm x 55,9 cm]  
44 IMP Gal. / 57.40 US Gal. / 200.00 Liters

### Retail price

Product Code	Model	Price
SU6631LSF	Soaker	3,953 \$
SU6631LSFCA	Comfort air™	6,776 \$
SU6631LSFAM	AeroMassage™	7,489 \$
SU6631LSFSA	Super AeroMassage™	9,079 \$
SU6631LSFLI	Linear cutout	3,953 \$

Standard color : White(01)

Returns accepted on white product only

### Options\*\*

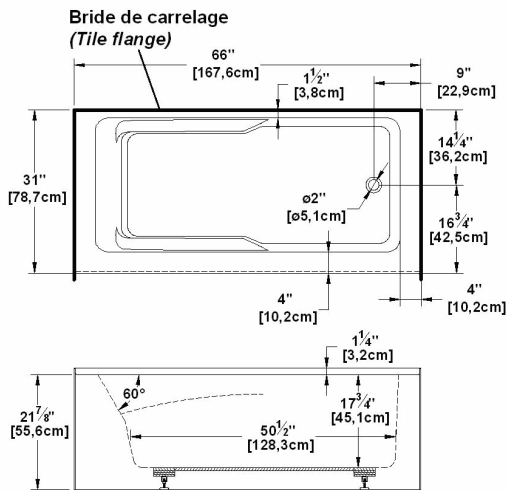
	Code	Add
White acrylic grab bar (each)	G01	216 \$
Chromatherapy lights	MLC	1145 \$
White floating remote control	RC01	593 \$
Chrome Linear overflow and drain	BDW-114	359 \$
Drain & Overflow PVC / Chromed brass	WOCO14	371 \$

*Integrated acrylic tile flanges. If system, delivered with keypad not installed. Available in white only. Only one grab bar can be factory installed.*

**\*\*See the options chart on pages 70 to 73 of this document for all available colors and finishes**

## Suite 6631 R-SF

Right hand drain, 1 Skirt (Front)



Complete Technical specifications at [www.oceania-attitude.com](http://www.oceania-attitude.com) will prevail at all times

1 integrated skirt

66" x 31" x 22" [167,6 cm x 78,7 cm x 55,9 cm]  
44 IMP Gal. / 57.40 US Gal. / 200.00 Liters

### Retail price

Product Code	Model	Price
SU6631RSF	Soaker	3,953 \$
SU6631RSFCA	Comfort air™	6,776 \$
SU6631RSFAM	AeroMassage™	7,489 \$
SU6631RSFSA	Super AeroMassage™	9,079 \$
SU6631RSFLI	Linear cutout	3,953 \$

Standard color : White(01)

Returns accepted on white product only

### Options\*\*

	Code	Add
White acrylic grab bar (each)	G01	216 \$
Chromatherapy lights	MLC	1145 \$
White floating remote control	RC01	593 \$
Chrome Linear overflow and drain	BDW-114	359 \$
Drain & Overflow PVC / Chromed brass	WOCO14	371 \$

*Integrated acrylic tile flanges. If system, delivered with keypad not installed. Available in white only. Only one grab bar can be factory installed.*

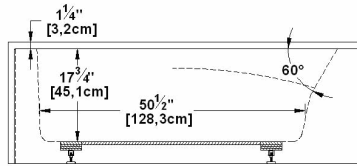
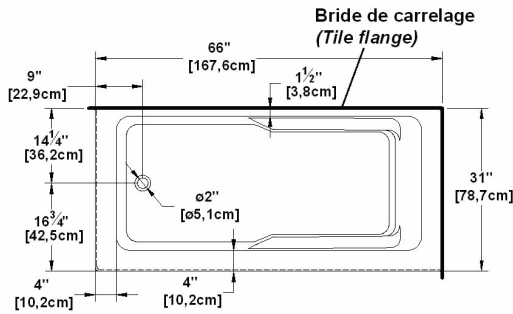
**\*\*See the options chart on pages 70 to 73 of this document for all available colors and finishes**

## Suite 6631LSFL (left drain)

Authentik Signature Series

2 Skirts (Front and Left)

66" x 31" x 22" [167,6 cm x 78,7 cm x 55,9 cm]  
44 IMP Gal. / 57.40 US Gal. / 200.00 Liters



Complete Technical specifications at [www.oceania-attitude.com](http://www.oceania-attitude.com) will prevail at all times

### Retail price

Product Code	Model	Price
SU6631LSFL	Soaker	4,751 \$
SU6631LSFLCA	Comfort air™	7,529 \$
SU6631LSFLAM	AeroMassage™	8,155 \$
SU6631LSFLSA	Super AeroMassage™	9,749 \$
SU6631LSFLLI	Linear cutout	4,751 \$

Standard color : White(01)

Returns accepted on white product only

### Options\*\*

	Code	Add
Exterior MATTE CUSTOM COLOR	EXTXXM	2371 \$
Special Exterior Finish see Page 73	SWXX	2963 \$
White acrylic grab bar (each)	G01	216 \$
Chromatherapy lights	MLC	1145 \$
White floating remote control	RC01	593 \$
Installation panel DRAIN side	TI-DR	404 \$
Floor drain for freestanding baths	FBQD	396 \$
Chrome Linear overflow and drain	BDW-114	359 \$
Flexible Drain & Overflow / Chromed brass	WOCOSBS14	590 \$

**WARNING: The installation panel TI-DR is mandatory with the BDW series of drains.**

*Integrated acrylic tile flanges. If system, delivered with keypad not installed and blower must be remote mounted. Available in white only. Only one grab bar can be factory installed. Special Finish not available when ordered with installation panel.*

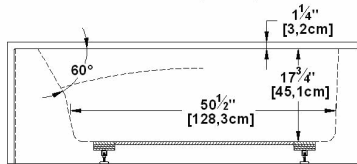
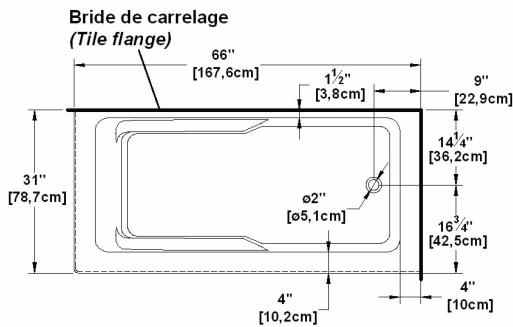
\*\*See the options chart on pages 70 to 73 of this document for all available colors and finishes

## Suite 6631RSFL (right drain)

Authentik Signature Series

2 Skirts (Front and Left)

66" x 31" x 22" [167,6 cm x 78,7 cm x 55,9 cm]  
44 IMP Gal. / 57.40 US Gal. / 200.00 Liters



Complete Technical specifications at [www.oceania-attitude.com](http://www.oceania-attitude.com) will prevail at all times

### Retail price

Product Code	Model	Price
SU6631RSFL	Soaker	4,751 \$
SU6631RSFLCA	Comfort air™	7,529 \$
SU6631RSFLAM	AeroMassage™	8,155 \$
SU6631RSFLSA	Super AeroMassage™	9,749 \$
SU6631RSFLLI	Linear cutout	4,751 \$

Standard color : White(01)

Returns accepted on white product only

### Options\*\*

	Code	Add
Exterior MATTE CUSTOM COLOR	EXTXXM	2371 \$
Special Exterior Finish see Page 73	SWXX	2963 \$
White acrylic grab bar (each)	G01	216 \$
Chromatherapy lights	MLC	1145 \$
White floating remote control	RC01	593 \$
Installation panel BACK REST side	TI-DO	404 \$
Chrome Linear overflow and drain	BDW-114	359 \$
Drain & Overflow PVC / Chromed brass	WOCO14	371 \$

*Integrated acrylic tile flanges. If system, delivered with keypad not installed and blower must be remote mounted. Available in white only. Only one grab bar can be factory installed. Special Finish not available when ordered with installation panel.*

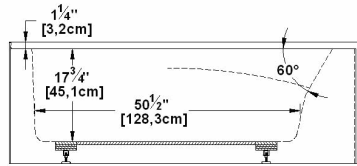
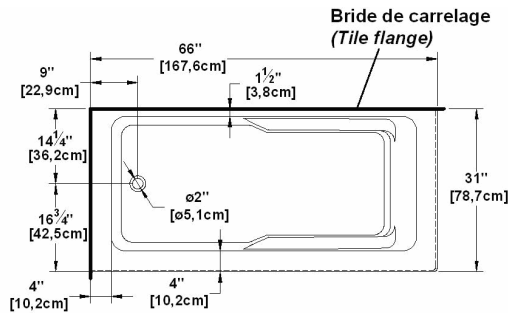
\*\*See the options chart on pages 70 to 73 of this document for all available colors and finishes

## Suite 6631LSFR (left drain)

2 Skirts (Front and Right)

66" x 31" x 22" [167,6 cm x 78,7 cm x 55,9 cm]  
44 IMP Gal. / 57.40 US Gal. / 200.00 Liters

### Authentik Signature Series



Complete Technical specifications at [www.oceania-attitude.com](http://www.oceania-attitude.com) will prevail at all times

#### Retail price

Product Code	Model	Price
<b>SU6631LSFR</b>	Soaker	<b>4,751 \$</b>
<b>SU6631LSFRCA</b>	Comfort air™	<b>7,529 \$</b>
<b>SU6631LSFRAM</b>	AeroMassage™	<b>8,155 \$</b>
<b>SU6631LSFRSA</b>	Super AeroMassage™	<b>9,749 \$</b>
<b>SU6631LSFRLI</b>	Linear cutout	<b>4,751 \$</b>

Standard color : White(01)

Returns accepted on white product only

#### Options\*\*

	Code	Add
Exterior MATTE CUSTOM COLOR	EXTXXM	2371 \$
Special Exterior Finish see Page 73	SWXX	2963 \$
White acrylic grab bar (each)	G01	216 \$
Chromatherapy lights	MLC	1145 \$
White floating remote control	RC01	593 \$
Installation panel BACK REST side	TI-DO	404 \$
Chrome Linear overflow and drain	BDW-114	359 \$
Drain & Overflow PVC / Chromed brass	WOCO14	371 \$

**Integrated acrylic tile flanges. If system, delivered with keypad not installed and blower must be remote mounted. Available in white only. Only one grab bar can be factory installed. Special Finish not available when ordered with installation panel.**

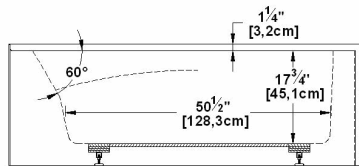
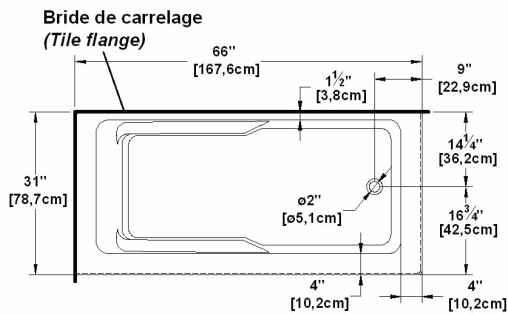
**\*\*See the options chart on pages 70 to 73 of this document for all available colors and finishes**

## Suite 6631RSFR (right drain)

2 Skirts (Front and Right)

66" x 31" x 22" [167,6 cm x 78,7 cm x 55,9 cm]  
44 IMP Gal. / 57.40 US Gal. / 200.00 Liters

### Authentik Signature Series



Complete Technical specifications at [www.oceania-attitude.com](http://www.oceania-attitude.com) will prevail at all times

#### Retail price

Product Code	Model	Price
<b>SU6631RSFR</b>	Soaker	<b>4,751 \$</b>
<b>SU6631RSFRCA</b>	Comfort air™	<b>7,529 \$</b>
<b>SU6631RSFRAM</b>	AeroMassage™	<b>8,155 \$</b>
<b>SU6631RSFRSA</b>	Super AeroMassage™	<b>9,749 \$</b>
<b>SU6631RSFRLI</b>	Linear cutout	<b>4,751 \$</b>

Standard color : White(01)

Returns accepted on white product only

#### Options\*\*

	Code	Add
Exterior MATTE CUSTOM COLOR	EXTXXM	2371 \$
Special Exterior Finish see Page 73	SWXX	2963 \$
White acrylic grab bar (each)	G01	216 \$
Chromatherapy lights	MLC	1145 \$
White floating remote control	RC01	593 \$
Installation panel DRAIN side	TI-DR	404 \$
Floor drain for freestanding baths	FBQD	396 \$
Chrome Linear overflow and drain	BDW-114	359 \$
Flexible Drain & Overflow / Chromed brass	WOCOSBS14	590 \$

**WARNING: The installation panel TI-DR is mandatory with the BDW series of drains.**

**Integrated acrylic tile flanges. If system, delivered with keypad not installed and blower must be remote mounted. Available in white only. Only one grab bar can be factory installed. Special Finish not available when ordered with installation panel.**

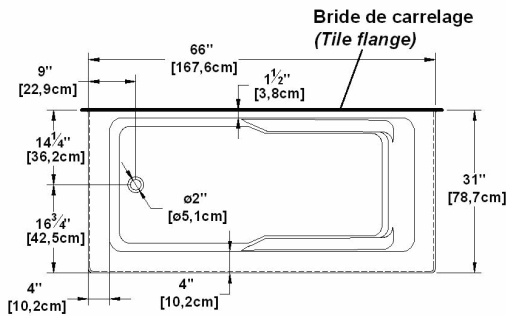
**\*\*See the options chart on pages 70 to 73 of this document for all available colors and finishes**

## Suite 6631LSFLR (left drain)

3 Skirts (Front, Left and Right)

66" x 31" x 22" [167,6 cm x 78,7 cm x 55,9 cm]  
44 IMP Gal. / 57.40 US Gal. / 200.00 Liters

### Authentik Signature Series



Complete Technical specifications at [www.oceania-attitude.com](http://www.oceania-attitude.com) will prevail at all times

#### Retail price

Product Code	Model	Price
<b>SU6631LSFLR</b>	Soaker	<b>5,126 \$</b>
<b>SU6631LSFLRCA</b>	Comfort air™	<b>7,996 \$</b>
<b>SU6631LSFLRAM</b>	AeroMassage™	<b>8,570 \$</b>
<b>SU6631LSFLRSA</b>	Super AeroMassage™	<b>10,124 \$</b>
<b>SU6631LSFLRLI</b>	Linear cutout	<b>5,126 \$</b>

Standard color : White(01)

Returns accepted on white product only

#### Options\*\*

	Code	Add
Exterior MATTE CUSTOM COLOR	EXTXXM	2371 \$
Special Exterior Finish see Page 73	SWXX	2963 \$
White acrylic grab bar (each)	G01	216 \$
Chromatherapy lights	MLC	1145 \$
White floating remote control	RC01	593 \$
Installation panel BACK REST side	TI-DO	404 \$
Installation panel DRAIN side	TI-DR	404 \$
Floor drain for freestanding baths	FBQD	396 \$
Chrome Linear overflow and drain	BDW-114	359 \$
Flexible Drain & Overflow / Chromed brass	WOCOSBS14	590 \$

**WARNING: The installation panel TI-DR is mandatory with the BDW series of drains.**

*Integrated acrylic tile flanges. If system, delivered with keypad not installed and blower must be remote mounted. Available in white only. Only one grab bar can be factory installed. Special Finish not available when ordered with installation panel.*

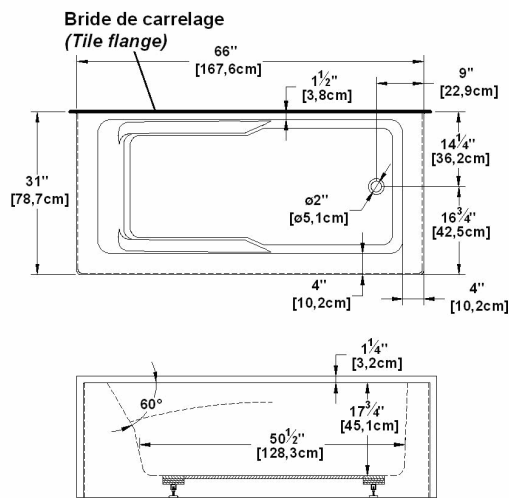
\*\*See the options chart on pages 70 to 73 of this document for all available colors and finishes

## Suite 6631RSFLR (right drain)

3 Skirts (Front, Left and Right)

66" x 31" x 22" [167,6 cm x 78,7 cm x 55,9 cm]  
44 IMP Gal. / 57.40 US Gal. / 200.00 Liters

### Authentik Signature Series



Complete Technical specifications at [www.oceania-attitude.com](http://www.oceania-attitude.com) will prevail at all times

#### Retail price

Product Code	Model	Price
<b>SU6631RSFLR</b>	Soaker	<b>5,126 \$</b>
<b>SU6631RSFLRCA</b>	Comfort air™	<b>7,996 \$</b>
<b>SU6631RSFLRAM</b>	AeroMassage™	<b>8,570 \$</b>
<b>SU6631RSFLRSA</b>	Super AeroMassage™	<b>10,124 \$</b>
<b>SU6631RSFLRLI</b>	Linear cutout	<b>5,126 \$</b>

Standard color : White(01)

Returns accepted on white product only

#### Options\*\*

	Code	Add
Exterior MATTE CUSTOM COLOR	EXTXXM	2371 \$
Special Exterior Finish see Page 73	SWXX	2963 \$
White acrylic grab bar (each)	G01	216 \$
Chromatherapy lights	MLC	1145 \$
White floating remote control	RC01	593 \$
Installation panel BACK REST side	TI-DO	404 \$
Installation panel DRAIN side	TI-DR	404 \$
Floor drain for freestanding baths	FBQD	396 \$
Chrome Linear overflow and drain	BDW-114	359 \$
Flexible Drain & Overflow / Chromed brass	WOCOSBS14	590 \$

**WARNING: The installation panel TI-DR is mandatory with the BDW series of drains.**

*Integrated acrylic tile flanges. If system, delivered with keypad not installed and blower must be remote mounted. Available in white only. Only one grab bar can be factory installed. Special Finish not available when ordered with installation panel.*

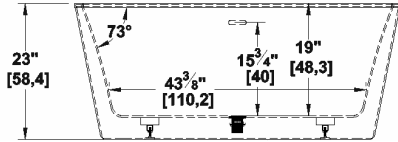
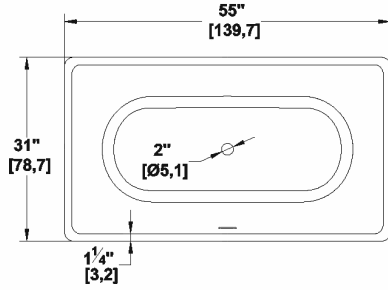
\*\*See the options chart on pages 70 to 73 of this document for all available colors and finishes

# Tahoe 55 Freestanding

Authentik Signature Series

One-piece freestanding bath

55" x 31" x 23" [139,7 cm x 78,7 cm x 58,4 cm]  
47 IMP Gal. / 61.30 US Gal. / 213.70 Liters



Complete Technical specifications at [www.oceania-attitude.com](http://www.oceania-attitude.com) will prevail at all times

Retail price

Product Code	Model	Price
<b>TA55</b>	Soaker	<b>4,281 \$</b>
<b>Not available</b>	Comfort air™	<b>N/A</b>
<b>TA55AM</b>	AeroMassage™	<b>8,060 \$</b>
<b>Not available</b>	Super AeroMassage™	<b>N/A</b>
<b>Not available</b>	Linear cutout	<b>N/A</b>

Standard color : White(01)

Returns accepted on white product only

Options\*\*

	Code	Add
Glossy black acrylic exterior	EXT48	1532 \$
Exterior MATTE WHITE acrylic	EXT01M	1415 \$
Exterior MATTE CUSTOM COLOR	EXTXXM	2371 \$
Interior/Exterior MATTE WHITE acrylic	INT-EXT01M	1725 \$
Special Exterior Finish see Page 73	SWXX	2963 \$
Drain cover - Chrome	INF114	184 \$
Drain cover - White	INF101	0 \$
Drain cover - Matte Black	INF148M	184 \$
Chromatherapy lights	MLC	1145 \$
Floor drain for freestanding baths	FBQD	396 \$

**WARNING: The interior is available in white only.**

*Default exterior finish : white acrylic. The overflow is factory installed, the chrome drain is included but not installed. When ordered with AeroMassage, blower must be remote mounted. If system, delivered with keypad not installed and remote control is included. The Chromatherapy option is only available with the AeroMassage option.*

**\*\*See the options chart on pages 70 to 73 of this document for all available colors and finishes**

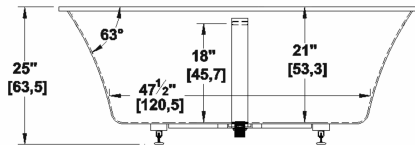
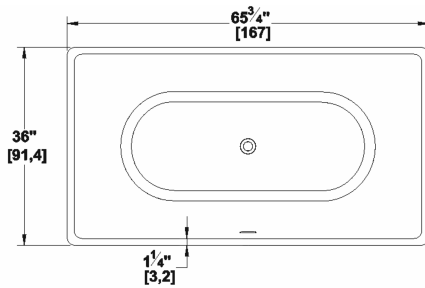
# oceania

water • attitude

# Tahoe 66 Podium

Authentik Signature Series

65,75" x 36" x 25" [167,0 cm x 91,4 cm x 63,5 cm]  
72 IMP Gal. / 93.90 US Gal. / 327.30 Liters



Complete Technical specifications at [www.oceania-attitude.com](http://www.oceania-attitude.com) will prevail at all times

**WARNING: Faucets must be installed on the wall, deck or floor (not on bath).**

*The overflow is factory installed, the chrome drain is included but not installed. When ordered with AeroMassage, blower must be remote mounted. If system, delivered with keypad not installed and remote control is included. The Chromotherapy option is only available with the AeroMassage option.*

**\*\*See the options chart on pages 70 to 73 of this document for all available colors and finishes**

## Retail price

Product Code	Model	Price
<b>TAP66</b>	Soaker	<b>2,553 \$</b>
<b>Not available</b>	Comfort air™	<b>N/A</b>
<b>TAP66AM</b>	AeroMassage™	<b>6,943 \$</b>
<b>Not available</b>	Super AeroMassage™	<b>N/A</b>
<b>Not available</b>	Linear cutout	<b>N/A</b>

Standard color : White(01)

Returns accepted on white product only

## Options\*\*

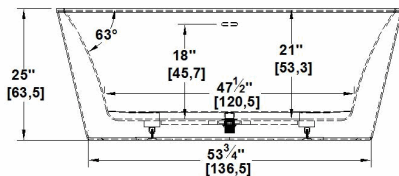
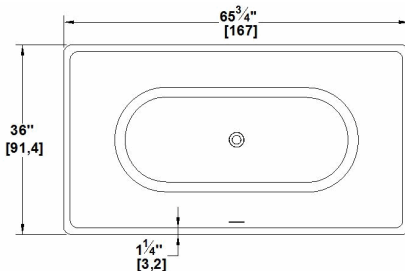
	Code	Add
Acrylic Biscuit Color	INT02	1532 \$
Acrylic Black Color	INT48	1532 \$
Drain cover - Chrome	INF114	184 \$
Drain cover - White	INF101	0 \$
Drain cover - Matte Black	INF148M	184 \$
Chromotherapy lights	MLC	1145 \$

# Tahoe 66 Freestanding

Authentik Signature Series

## One-piece freestanding bath

65,75" x 36" x 25" [167,0 cm x 91,4 cm x 63,5 cm]  
72 IMP Gal. / 93.90 US Gal. / 327.30 Liters



Complete Technical specifications at [www.oceania-attitude.com](http://www.oceania-attitude.com) will prevail at all times

**WARNING: The interior is available in white only.**

*Default exterior finish : white acrylic. The overflow is factory installed, the chrome drain is included but not installed. When ordered with AeroMassage, blower must be remote mounted. If system, delivered with keypad not installed and remote control is included. The Chromotherapy option is only available with the AeroMassage option.*

**\*\*See the options chart on pages 70 to 73 of this document for all available colors and finishes**

## Retail price

Product Code	Model	Price
<b>TA66</b>	Soaker	<b>4,704 \$</b>
<b>Not available</b>	Comfort air™	<b>N/A</b>
<b>TA66AM</b>	AeroMassage™	<b>8,599 \$</b>
<b>Not available</b>	Super AeroMassage™	<b>N/A</b>
<b>Not available</b>	Linear cutout	<b>N/A</b>

Standard color : White(01)

Returns accepted on white product only

## Options\*\*

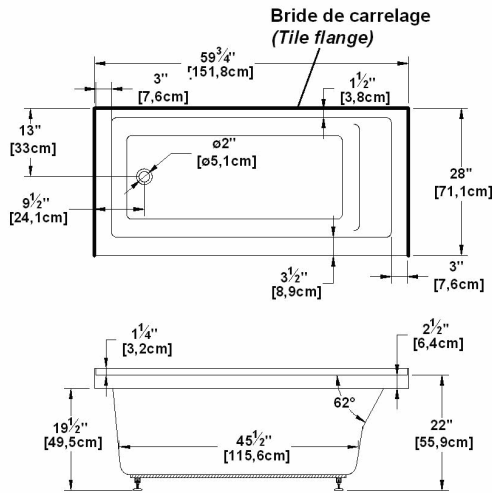
	Code	Add
Glossy black acrylic exterior	EXT48	1532 \$
Exterior MATTE WHITE acrylic	EXT01M	1415 \$
Exterior MATTE CUSTOM COLOR	EXTXXM	2371 \$
Interior/Exterior MATTE WHITE acrylic	INT-EXT01M	1725 \$
Special Exterior Finish see Page 73	SWXX	2963 \$
Drain cover - Chrome	INF114	184 \$
Drain cover - White	INF101	0 \$
Drain cover - Matte Black	INF148M	184 \$
Chromotherapy lights	MLC	1145 \$
Floor drain for freestanding baths	FBQD	396 \$

## Unity 28 (left hand drain)

Alcove installation, flanges on 3 sides

Integrated tile flanges on 3 sides

60" x 28" x 22" [152,4 cm x 71,1 cm x 55,9 cm]  
45 IMP Gal. / 58.70 US Gal. / 204.60 Liters



Complete Technical specifications at [www.oceania-attitude.com](http://www.oceania-attitude.com) will prevail at all times

Product Code	Model	Price
<b>UN28L</b>	Soaker	<b>1,894 \$</b>
<b>UN28LCA</b>	Comfort air™	<b>4,774 \$</b>
<b>UN28LAM</b>	AeroMassage™	<b>5,808 \$</b>
<b>Not available</b>	Super AeroMassage™	<b>N/A</b>
<b>UN28LLI</b>	Linear cutout	<b>1,894 \$</b>

Standard color : White(01)

Returns accepted on white product only

Options**	Code	Add
White acrylic grab bar (each)	G01	216 \$
Acrylic Biscuit Color	INT02	1532 \$
Acrylic Black Color	INT48	1532 \$
Removable White Skirt Panel for 60" baths	JA60	1166 \$
Chromatherapy lights	MLC	1145 \$
White floating remote control	RC01	593 \$
Chrome Linear overflow and drain	BDW-114	359 \$
Drain & Overflow PVC / Chromed brass	WOCO14	371 \$

Integrated acrylic tile flanges. If system, delivered with keypad not installed.

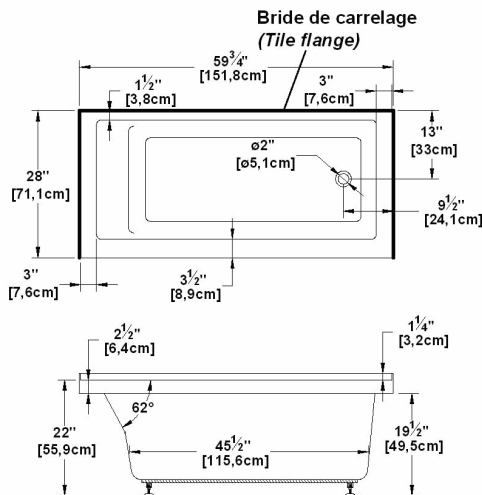
\*\*See the options chart on pages 70 to 73 of this document for all available colors and finishes

## Unity 28 (right hand drain)

Alcove installation, flanges on 3 sides

Integrated tile flanges on 3 sides

60" x 28" x 22" [152,4 cm x 71,1 cm x 55,9 cm]  
45 IMP Gal. / 58.70 US Gal. / 204.60 Liters



Complete Technical specifications at [www.oceania-attitude.com](http://www.oceania-attitude.com) will prevail at all times

Product Code	Model	Price
<b>UN28R</b>	Soaker	<b>1,894 \$</b>
<b>UN28RCA</b>	Comfort air™	<b>4,774 \$</b>
<b>UN28RAM</b>	AeroMassage™	<b>5,808 \$</b>
<b>Not available</b>	Super AeroMassage™	<b>N/A</b>
<b>UN28RLI</b>	Linear cutout	<b>1,894 \$</b>

Standard color : White(01)

Returns accepted on white product only

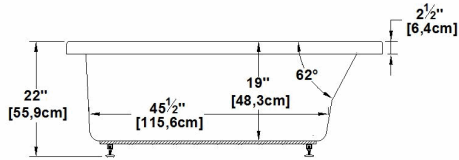
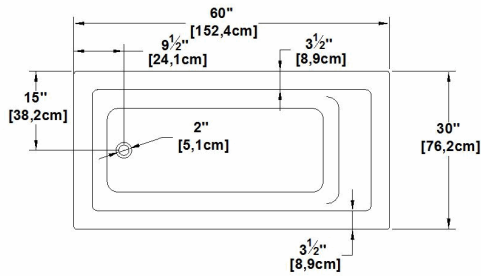
Options**	Code	Add
White acrylic grab bar (each)	G01	216 \$
Acrylic Biscuit Color	INT02	1532 \$
Acrylic Black Color	INT48	1532 \$
Removable White Skirt Panel for 60" baths	JA60	1166 \$
Chromatherapy lights	MLC	1145 \$
White floating remote control	RC01	593 \$
Chrome Linear overflow and drain	BDW-114	359 \$
Drain & Overflow PVC / Chromed brass	WOCO14	371 \$

Integrated acrylic tile flanges. If system, delivered with keypad not installed.

\*\*See the options chart on pages 70 to 73 of this document for all available colors and finishes

## Unity 30

60" x 30" x 22" [152,4 cm x 76,2 cm x 55,9 cm]  
45 IMP Gal. / 58.70 US Gal. / 204.60 Liters



Complete Technical specifications at [www.oceania-attitude.com](http://www.oceania-attitude.com) will prevail at all times

### Retail price

Product Code	Model	Price
<b>UN30</b>	Soaker	<b>1,894 \$</b>
<b>UN30CA</b>	Comfort air™	<b>4,774 \$</b>
<b>UN30AM</b>	AeroMassage™	<b>5,808 \$</b>
<b>UN30SA</b>	Super AeroMassage™	<b>7,735 \$</b>
<b>UN30LI</b>	Linear cutout	<b>1,894 \$</b>

Standard color : White(01)

Returns accepted on white product only

### Options\*\*

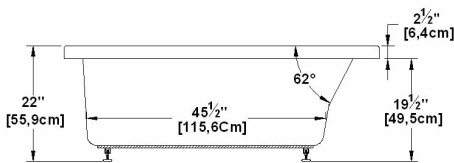
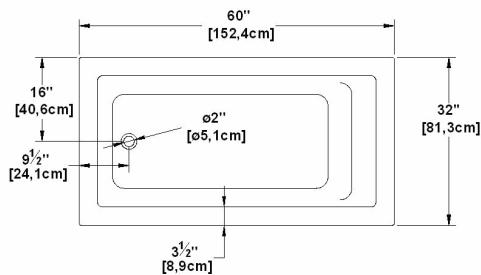
	Code	Add
White acrylic grab bar (each)	G01	216 \$
Acrylic Biscuit Color	INT02	1532 \$
Acrylic Black Color	INT48	1532 \$
Removable White Skirt Panel for 60" baths	JA60	1166 \$
Low-Profile bath lip	LP	329 \$
Chromatherapy lights	MLC	1145 \$
White floating remote control	RC01	593 \$
Tile flange for baths, see page 55	TF	228 \$
Chrome Linear overflow and drain	BDW-114	359 \$
Drain & Overflow PVC / Chromed brass	WOCO14	371 \$

**Keypad supplied but not installed when ordered with tile flanges or remote control.**

**\*\*See the options chart on pages 70 to 73 of this document for all available colors and finishes**

## Unity 32

60" x 32" x 22" [152,4 cm x 81,3 cm x 55,9 cm]  
47 IMP Gal. / 61.30 US Gal. / 213.70 Liters



Complete Technical specifications at [www.oceania-attitude.com](http://www.oceania-attitude.com) will prevail at all times

### Retail price

Product Code	Model	Price
<b>UN32</b>	Soaker	<b>1,894 \$</b>
<b>UN32CA</b>	Comfort air™	<b>4,774 \$</b>
<b>UN32AM</b>	AeroMassage™	<b>5,808 \$</b>
<b>UN32SA</b>	Super AeroMassage™	<b>7,735 \$</b>
<b>UN32LI</b>	Linear cutout	<b>1,894 \$</b>

Standard color : White(01)

Returns accepted on white product only

### Options\*\*

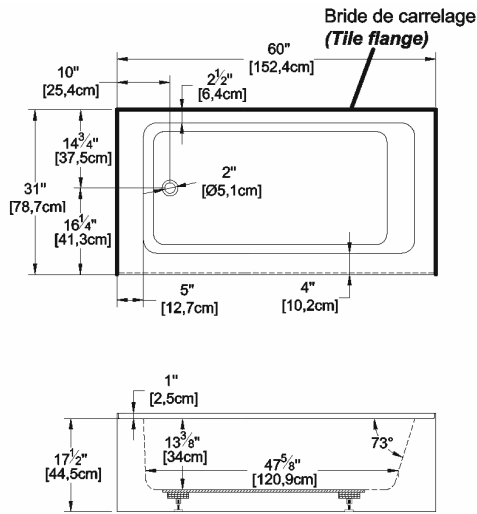
	Code	Add
White acrylic grab bar (each)	G01	216 \$
Acrylic Biscuit Color	INT02	1532 \$
Acrylic Black Color	INT48	1532 \$
Removable White Skirt Panel for 60" baths	JA60	1166 \$
Low-Profile bath lip	LP	329 \$
Chromatherapy lights	MLC	1145 \$
White floating remote control	RC01	593 \$
Tile flange for baths, see page 55	TF	228 \$
Chrome Linear overflow and drain	BDW-114	359 \$
Drain & Overflow PVC / Chromed brass	WOCO14	371 \$

**Keypad supplied but not installed when ordered with tile flanges or remote control.**

**\*\*See the options chart on pages 70 to 73 of this document for all available colors and finishes**

## Urbania 6031 L-SF

Left hand drain, 1 Skirt (Front)



Complete Technical specifications at [www.oceania-attitude.com](http://www.oceania-attitude.com) will prevail at all times

1 integrated skirt

60" x 31" x 17,5" [152,4 cm x 78,7 cm x 44,5 cm]  
28.5 IMP Gal. / 37.20 US Gal. / 129.60 Liters

### Retail price

Product Code	Model	Price
<b>UR6031LSF</b>	Soaker	<b>2,371 \$</b>
<b>Not available</b>	Comfort air™	<b>N/A</b>
<b>Not available</b>	AeroMassage™	<b>N/A</b>
<b>Not available</b>	Super AeroMassage™	<b>N/A</b>
<b>UR6031LSFLI</b>	Linear cutout	<b>2,371 \$</b>

Standard color : White(01)

Returns accepted on white product only

### Options\*\*

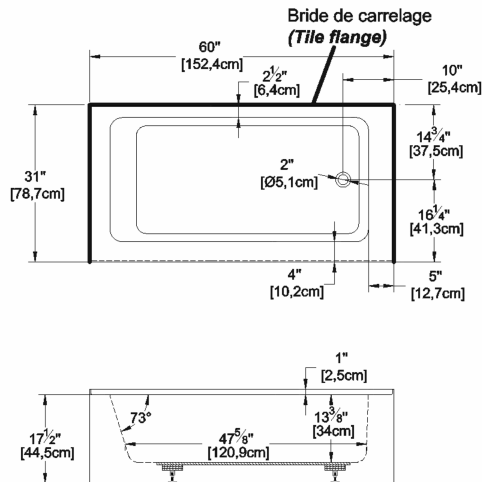
	Code	Add
White acrylic grab bar (each)	G01	216 \$
Chromatherapy lights	MLC	1145 \$
Chrome Linear overflow and drain	BDW-114	359 \$
Drain & Overflow PVC / Chromed brass	WOCO14	371 \$

*Integrated acrylic tile flanges. Available in white only. Only one grab bar can be factory installed.*

**\*\*See the options chart on pages 70 to 73 of this document for all available colors and finishes**

## Urbania 6031 R-SF

Right hand drain, 1 Skirt (Front)



Complete Technical specifications at [www.oceania-attitude.com](http://www.oceania-attitude.com) will prevail at all times

1 integrated skirt

60" x 31" x 17,5" [152,4 cm x 78,7 cm x 44,5 cm]  
28.5 IMP Gal. / 37.20 US Gal. / 129.60 Liters

### Retail price

Product Code	Model	Price
<b>UR6031RSF</b>	Soaker	<b>2,371 \$</b>
<b>Not available</b>	Comfort air™	<b>N/A</b>
<b>Not available</b>	AeroMassage™	<b>N/A</b>
<b>Not available</b>	Super AeroMassage™	<b>N/A</b>
<b>UR6031RSFLI</b>	Linear cutout	<b>2,371 \$</b>

Standard color : White(01)

Returns accepted on white product only

### Options\*\*

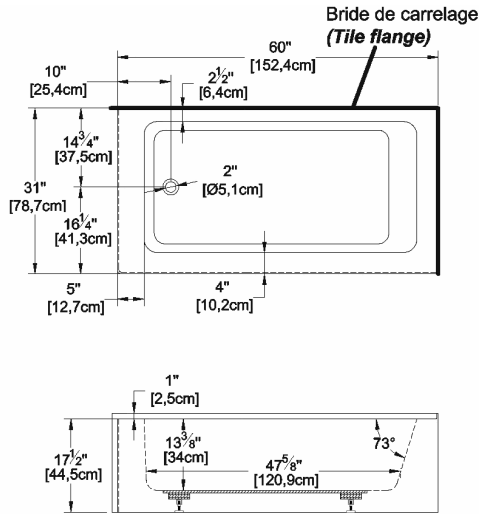
	Code	Add
White acrylic grab bar (each)	G01	216 \$
Chromatherapy lights	MLC	1145 \$
Chrome Linear overflow and drain	BDW-114	359 \$
Drain & Overflow PVC / Chromed brass	WOCO14	371 \$

*Integrated acrylic tile flanges. Available in white only. Only one grab bar can be factory installed.*

**\*\*See the options chart on pages 70 to 73 of this document for all available colors and finishes**

## Urbania 6031 L-SFL

### Left hand drain, 2 Skirts (Front and Left)



Complete Technical specifications at [www.oceania-attitude.com](http://www.oceania-attitude.com) will prevail at all times

**WARNING:** The installation panel TI-UR-DR is mandatory with the BDW series of drains.

*Integrated acrylic tile flanges. Available in white only. Only one grab bar can be factory installed.*

**\*\*See the options chart on pages 70 to 73 of this document for all available colors and finishes**

### 2 integrated skirts

60" x 31" x 17,5" [152,4 cm x 78,7 cm x 44,5 cm]  
28.5 IMP Gal. / 37.20 US Gal. / 129.60 Liters

#### Retail price

Product Code	Model	Price
<b>UR6031LSFL</b>	Soaker	<b>3,441 \$</b>
<b>Not available</b>	Comfort air™	<b>N/A</b>
<b>Not available</b>	AeroMassage™	<b>N/A</b>
<b>Not available</b>	Super AeroMassage™	<b>N/A</b>
<b>UR6031LSFLLI</b>	Linear cutout	<b>3,441 \$</b>

Standard color : White(01)

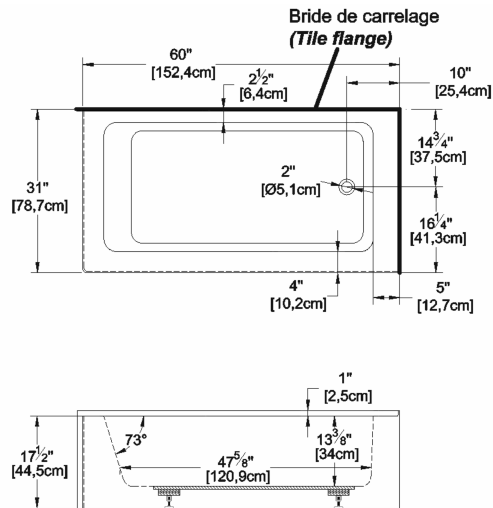
Returns accepted on white product only

#### Options\*\*

	Code	Add
White acrylic grab bar (each)	G01	216 \$
Chromatherapy lights	MLC	1145 \$
Installation panel DRAIN side - for Urbania	TI-UR-DR	404 \$
Floor drain for freestanding baths	FBQD	396 \$
Chrome Linear overflow and drain	BDW-114	359 \$
Flexible Drain & Overflow / Chromed brass	WOCOSBS14	590 \$

## Urbania 6031 R-SFL

### Right hand drain, 2 Skirts (Front and Left)



Complete Technical specifications at [www.oceania-attitude.com](http://www.oceania-attitude.com) will prevail at all times

*Integrated acrylic tile flanges. Available in white only. Only one grab bar can be factory installed.*

**\*\*See the options chart on pages 70 to 73 of this document for all available colors and finishes**

### 2 integrated skirts

60" x 31" x 17,5" [152,4 cm x 78,7 cm x 44,5 cm]  
28.5 IMP Gal. / 37.20 US Gal. / 129.60 Liters

#### Retail price

Product Code	Model	Price
<b>UR6031RSFL</b>	Soaker	<b>3,441 \$</b>
<b>Not available</b>	Comfort air™	<b>N/A</b>
<b>Not available</b>	AeroMassage™	<b>N/A</b>
<b>Not available</b>	Super AeroMassage™	<b>N/A</b>
<b>UR6031RSFLLI</b>	Linear cutout	<b>3,441 \$</b>

Standard color : White(01)

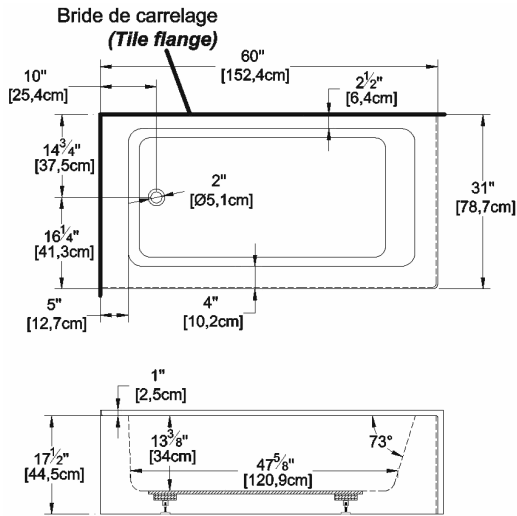
Returns accepted on white product only

#### Options\*\*

	Code	Add
White acrylic grab bar (each)	G01	216 \$
Chromatherapy lights	MLC	1145 \$
Floor drain for freestanding baths	FBQD	396 \$
Chrome Linear overflow and drain	BDW-114	359 \$
Drain & Overflow PVC / Chromed brass	WOCO14	371 \$

## Urbania 6031 L-SFR

### Left hand drain, 2 Skirts (Front and Right)



Complete Technical specifications at [www.oceania-attitude.com](http://www.oceania-attitude.com) will prevail at all times

## 2 integrated skirts

60" x 31" x 17.5" [152,4 cm x 78,7 cm x 44,5 cm]  
28.5 IMP Gal. / 37.20 US Gal. / 129.60 Liters

#### Retail price

Product Code	Model	Price
<b>UR6031LSFR</b>	Soaker	<b>3,441 \$</b>
<b>Not available</b>	Comfort air™	<b>N/A</b>
<b>Not available</b>	AeroMassage™	<b>N/A</b>
<b>Not available</b>	Super AeroMassage™	<b>N/A</b>
<b>UR6031LSFRLI</b>	Linear cutout	<b>3,441 \$</b>

Standard color : White(01)

Returns accepted on white product only

#### Options\*\*

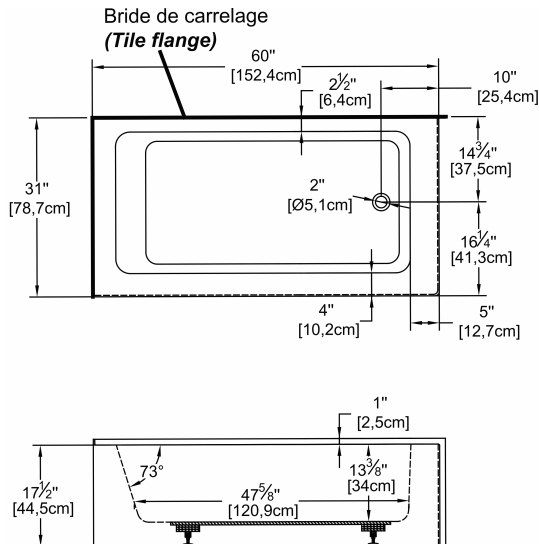
	Code	Add
White acrylic grab bar (each)	G01	216 \$
Chromatherapy lights	MLC	1145 \$
Floor drain for freestanding baths	FBQD	396 \$
Chrome Linear overflow and drain	BDW-114	359 \$
Drain & Overflow PVC / Chromed brass	WOCO14	371 \$

*Integrated acrylic tile flanges. Available in white only. Only one grab bar can be factory installed.*

*\*\*See the options chart on pages 70 to 73 of this document for all available colors and finishes*

## Urbania 6031 R-SFR

### Right hand drain, 2 Skirts (Front and Right)



Complete Technical specifications at [www.oceania-attitude.com](http://www.oceania-attitude.com) will prevail at all times

## 2 integrated skirts

60" x 31" x 17.5" [152,4 cm x 78,7 cm x 44,5 cm]  
28.5 IMP Gal. / 37.20 US Gal. / 129.60 Liters

#### Retail price

Product Code	Model	Price
<b>UR6031RSFR</b>	Soaker	<b>3,441 \$</b>
<b>Not available</b>	Comfort air™	<b>N/A</b>
<b>Not available</b>	AeroMassage™	<b>N/A</b>
<b>Not available</b>	Super AeroMassage™	<b>N/A</b>
<b>UR6031RSFRLI</b>	Linear cutout	<b>3,441 \$</b>

Standard color : White(01)

Returns accepted on white product only

#### Options\*\*

	Code	Add
White acrylic grab bar (each)	G01	216 \$
Chromatherapy lights	MLC	1145 \$
Installation panel DRAIN side - for Urbania	TI-UR-DR	404 \$
Floor drain for freestanding baths	FBQD	396 \$
Chrome Linear overflow and drain	BDW-114	359 \$
Flexible Drain & Overflow / Chromed brass	WOCOSBS14	590 \$

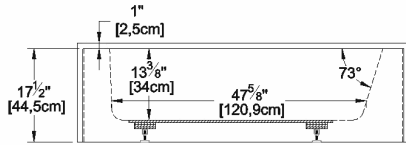
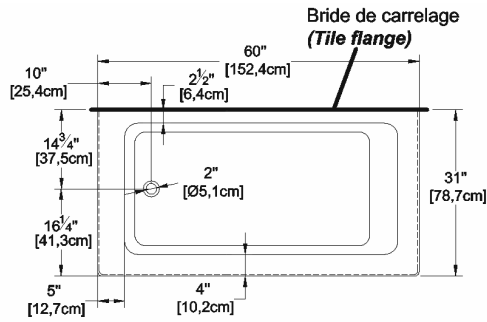
**WARNING: The installation panel TI-UR-DR is mandatory with the BDW series of drains.**

*Integrated acrylic tile flanges. Available in white only. Only one grab bar can be factory installed.*

*\*\*See the options chart on pages 70 to 73 of this document for all available colors and finishes*

## Urbania 6031 L-SFLR

Left hand drain, 3 Skirts (Front, Left & Right)



Complete Technical specifications at [www.oceania-attitude.com](http://www.oceania-attitude.com) will prevail at all times

**WARNING: The installation panel TI-UR-DR is mandatory with the BDW series of drains.**

*Integrated acrylic tile flanges. Available in white only. Only one grab bar can be factory installed.*

**\*\*See the options chart on pages 70 to 73 of this document for all available colors and finishes**

3 integrated skirts

60" x 31" x 17.5" [152,4 cm x 78,7 cm x 44,5 cm]  
28.5 IMP Gal. / 37.20 US Gal. / 129.60 Liters

Retail price

Product Code	Model	Price
<b>UR6031LSFLR</b>	Soaker	<b>4,032 \$</b>
<b>Not available</b>	Comfort air™	<b>N/A</b>
<b>Not available</b>	AeroMassage™	<b>N/A</b>
<b>Not available</b>	Super AeroMassage™	<b>N/A</b>
<b>UR6031LSFLRLI</b>	Linear cutout	<b>4,032 \$</b>

Standard color : White(01)

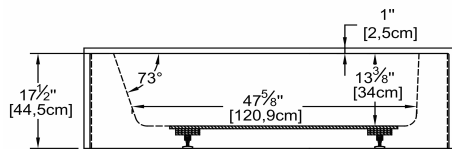
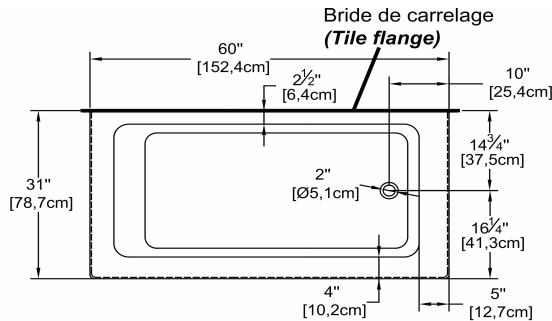
Returns accepted on white product only

Options\*\*

	Code	Add
White acrylic grab bar (each)	G01	216 \$
Chromatherapy lights	MLC	1145 \$
Installation panel DRAIN side - for Urbania	TI-UR-DR	404 \$
Floor drain for freestanding baths	FBQD	396 \$
Chrome Linear overflow and drain	BDW-114	359 \$
Flexible Drain & Overflow / Chromed brass	WOCOSBS14	590 \$

## Urbania 6031 R-SFLR

Right hand drain, 3 Skirts (Front, Left & Right)



Complete Technical specifications at [www.oceania-attitude.com](http://www.oceania-attitude.com) will prevail at all times

**WARNING: The installation panel TI-UR-DR is mandatory with the BDW series of drains.**

*Integrated acrylic tile flanges. Available in white only. Only one grab bar can be factory installed.*

**\*\*See the options chart on pages 70 to 73 of this document for all available colors and finishes**

3 integrated skirts

60" x 31" x 17.5" [152,4 cm x 78,7 cm x 44,5 cm]  
28.5 IMP Gal. / 37.20 US Gal. / 129.60 Liters

Retail price

Product Code	Model	Price
<b>UR6031RSFLR</b>	Soaker	<b>4,032 \$</b>
<b>Not available</b>	Comfort air™	<b>N/A</b>
<b>Not available</b>	AeroMassage™	<b>N/A</b>
<b>Not available</b>	Super AeroMassage™	<b>N/A</b>
<b>UR6031RSFLRLI</b>	Linear cutout	<b>4,032 \$</b>

Standard color : White(01)

Returns accepted on white product only

Options\*\*

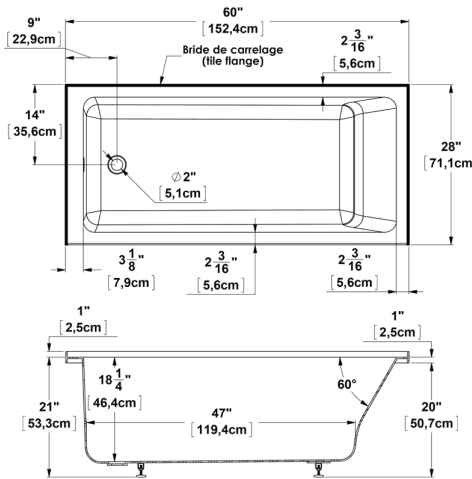
	Code	Add
White acrylic grab bar (each)	G01	216 \$
Chromatherapy lights	MLC	1145 \$
Installation panel DRAIN side - for Urbania	TI-UR-DR	404 \$
Floor drain for freestanding baths	FBQD	396 \$
Chrome Linear overflow and drain	BDW-114	359 \$
Flexible Drain & Overflow / Chromed brass	WOCOSBS14	590 \$

## Viele 6028 (left hand drain)

Integrated tile flanges on 3 sides

60" x 28" x 21" [152,4 cm x 71,1 cm x 53,3 cm]  
58 IMP Gal. / 75.60 US Gal. / 263.60 Liters

Linear overflow and white drain included



### Retail price

Product Code	Model	Price
<b>VI6028L</b>	Soaker	<b>1,795 \$</b>
<b>Not available</b>	Comfort air™	<b>N/A</b>
<b>VI6028LAM</b>	AeroMassage™	<b>5,495 \$</b>
<b>Not available</b>	Super AeroMassage™	<b>N/A</b>
<b>Not available</b>	Linear cutout	<b>N/A</b>

Standard color : White(01)

Returns accepted on white product only

### Options\*\*

	Code	Add
White acrylic grab bar (each)	G01	216 \$
Acrylic Biscuit Color	INT02	1532 \$
Acrylic Black Color	INT48	1532 \$
Removable White Skirt Panel for 60" baths	JA60	1166 \$
Chromatherapy lights	MLC	1145 \$
Drain cover - White	INF101	0 \$
Drain cover - Chrome	INF114	184 \$
Drain cover - Matte Black	INF148M	184 \$

Complete Technical specifications at [www.oceania-attitude.com](http://www.oceania-attitude.com) will prevail at all times

**WARNING: Faucets must be installed on the wall, deck or floor (not on bath).**

*Integrated acrylic tile flanges. The overflow is factory installed, the white drain is included but not installed. If system, delivered with keypad not installed and remote control is included.*

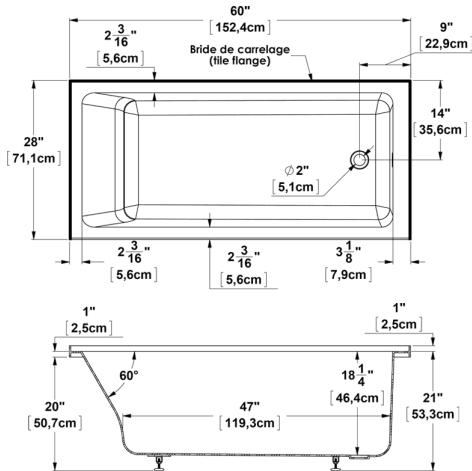
\*\*See the options chart on pages 70 to 73 of this document for all available colors and finishes

## Viele 6028 (right hand drain)

Integrated tile flanges on 3 sides

60" x 28" x 21" [152,4 cm x 71,1 cm x 53,3 cm]  
58 IMP Gal. / 75.60 US Gal. / 263.60 Liters

Linear overflow and white drain included



### Retail price

Product Code	Model	Price
<b>VI6028R</b>	Soaker	<b>1,795 \$</b>
<b>Not available</b>	Comfort air™	<b>N/A</b>
<b>VI6028RAM</b>	AeroMassage™	<b>5,495 \$</b>
<b>Not available</b>	Super AeroMassage™	<b>N/A</b>
<b>Not available</b>	Linear cutout	<b>N/A</b>

Standard color : White(01)

Returns accepted on white product only

### Options\*\*

	Code	Add
White acrylic grab bar (each)	G01	216 \$
Acrylic Biscuit Color	INT02	1532 \$
Acrylic Black Color	INT48	1532 \$
Removable White Skirt Panel for 60" baths	JA60	1166 \$
Chromatherapy lights	MLC	1145 \$
Drain cover - White	INF101	0 \$
Drain cover - Chrome	INF114	184 \$
Drain cover - Matte Black	INF148M	184 \$

Complete Technical specifications at [www.oceania-attitude.com](http://www.oceania-attitude.com) will prevail at all times

**WARNING: Faucets must be installed on the wall, deck or floor (not on bath).**

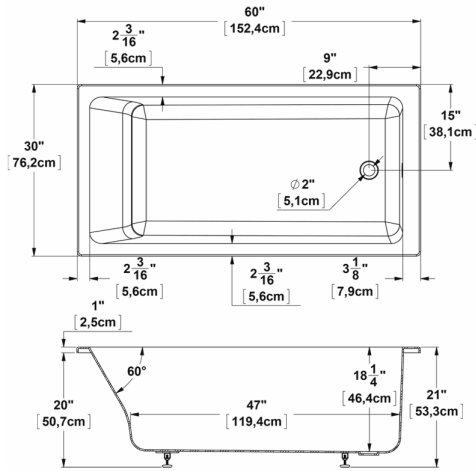
*Integrated acrylic tile flanges. The overflow is factory installed, the white drain is included but not installed. If system, delivered with keypad not installed and remote control is included.*

\*\*See the options chart on pages 70 to 73 of this document for all available colors and finishes

## Viele 6030

60" x 30" x 21" [152,4 cm x 76,2 cm x 53,3 cm]  
63 IMP Gal. / 82.10 US Gal. / 286.40 Liters

Linear overflow and white drain included



Complete Technical specifications at [www.oceania-attitude.com](http://www.oceania-attitude.com) will prevail at all times

### Retail price

Product Code	Model	Price
<b>VI6030</b>	Soaker	<b>1,795 \$</b>
<b>Not available</b>	Comfort air™	<b>N/A</b>
<b>VI6030AM</b>	AeroMassage™	<b>5,495 \$</b>
<b>VI6030SA</b>	Super AeroMassage™	<b>6,495 \$</b>
<b>Not available</b>	Linear cutout	<b>N/A</b>

Standard color : White(01)

Returns accepted on white product only

### Options\*\*

	Code	Add
White acrylic grab bar (each)	G01	216 \$
Acrylic Biscuit Color	INT02	1532 \$
Acrylic Black Color	INT48	1532 \$
Removable White Skirt Panel for 60" baths	JA60	1166 \$
Chromatherapy lights	MLC	1145 \$
Tile flange for baths, see page 55	TF	228 \$
Drain cover - White	INF101	0 \$
Drain cover - Chrome	INF114	184 \$
Drain cover - Matte Black	INF148M	184 \$

**WARNING: Faucets must be installed on the wall, deck or floor (not on bath).**

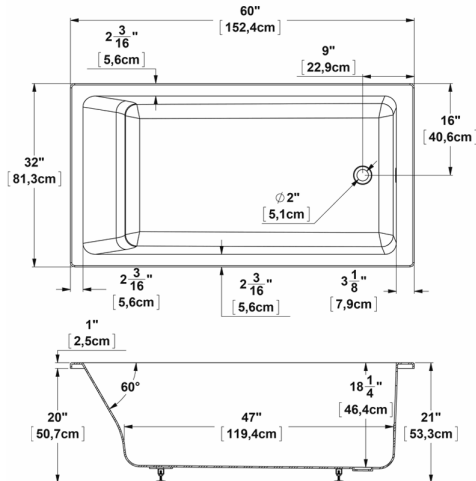
*The overflow is factory installed, the white drain is included but not installed. If system, delivered with keypad not installed and remote control is included.*

**\*\*See the options chart on pages 70 to 73 of this document for all available colors and finishes**

## Viele 6032

60" x 32" x 21" [152,4 cm x 81,3 cm x 53,3 cm]  
69 IMP Gal. / 89.90 US Gal. / 313.60 Liters

Linear overflow and white drain included



Complete Technical specifications at [www.oceania-attitude.com](http://www.oceania-attitude.com) will prevail at all times

### Retail price

Product Code	Model	Price
<b>VI6032</b>	Soaker	<b>1,795 \$</b>
<b>Not available</b>	Comfort air™	<b>N/A</b>
<b>VI6032AM</b>	AeroMassage™	<b>5,495 \$</b>
<b>VI6032SA</b>	Super AeroMassage™	<b>6,495 \$</b>
<b>Not available</b>	Linear cutout	<b>N/A</b>

Standard color : White(01)

Returns accepted on white product only

### Options\*\*

	Code	Add
White acrylic grab bar (each)	G01	216 \$
Acrylic Biscuit Color	INT02	1532 \$
Acrylic Black Color	INT48	1532 \$
Removable White Skirt Panel for 60" baths	JA60	1166 \$
Chromatherapy lights	MLC	1145 \$
Tile flange for baths, see page 55	TF	228 \$
Drain cover - White	INF101	0 \$
Drain cover - Chrome	INF114	184 \$
Drain cover - Matte Black	INF148M	184 \$

**WARNING: Faucets must be installed on the wall, deck or floor (not on bath).**

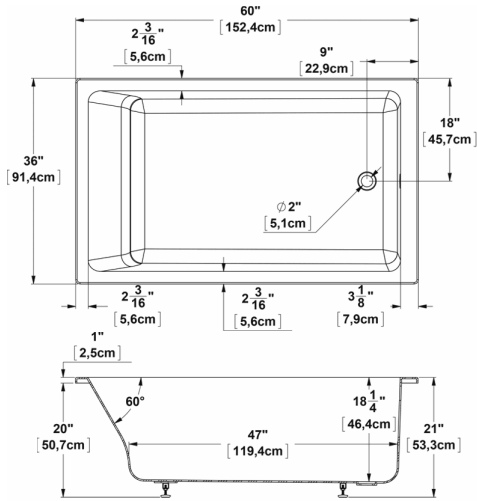
*The overflow is factory installed, the white drain is included but not installed. If system, delivered with keypad not installed and remote control is included.*

**\*\*See the options chart on pages 70 to 73 of this document for all available colors and finishes**

## Viele 6036

60" x 36" x 21" [152,4 cm x 9,4 cm x 53,3 cm]  
80 IMP Gal. / 104.30 US Gal. / 363.60 Liters

### Linear overflow and white drain included



Complete Technical specifications at [www.oceania-attitude.com](http://www.oceania-attitude.com) will prevail at all times

### Retail price

Product Code	Model	Price
<b>VI6036</b>	Soaker	<b>1,795 \$</b>
<b>Not available</b>	Comfort air™	<b>N/A</b>
<b>VI6036AM</b>	AeroMassage™	<b>5,495 \$</b>
<b>VI6036SA</b>	Super AeroMassage™	<b>6,495 \$</b>
<b>Not available</b>	Linear cutout	<b>N/A</b>

Standard color : White(01)

Returns accepted on white product only

### Options\*\*

	Code	Add
White acrylic grab bar (each)	G01	216 \$
Acrylic Biscuit Color	INT02	1532 \$
Acrylic Black Color	INT48	1532 \$
Removable White Skirt Panel for 60" baths	JA60	1166 \$
Chromatherapy lights	MLC	1145 \$
Tile flange for baths, see page 55	TF	228 \$
Drain cover - White	INF101	0 \$
Drain cover - Chrome	INF114	184 \$
Drain cover - Matte Black	INF148M	184 \$

**WARNING: Faucets must be installed on the wall, deck or floor (not on bath).**

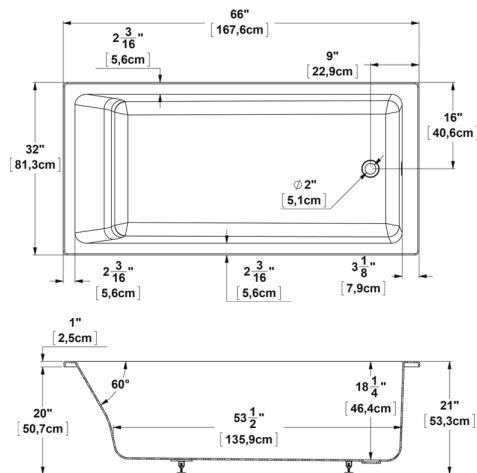
*The overflow is factory installed, the white drain is included but not installed. If system, delivered with keypad not installed and remote control is included.*

\*\*See the options chart on pages 70 to 73 of this document for all available colors and finishes

## Viele 6632

66" x 32" x 21" [167,6cm x 81,3 cm x 53,3 cm]  
78 IMP Gal. / 101.70 US Gal. / 354.50 Liters

### Linear overflow and white drain included



Complete Technical specifications at [www.oceania-attitude.com](http://www.oceania-attitude.com) will prevail at all times

### Retail price

Product Code	Model	Price
<b>VI6632</b>	Soaker	<b>2,168 \$</b>
<b>Not available</b>	Comfort air™	<b>N/A</b>
<b>VI6632AM</b>	AeroMassage™	<b>5,868 \$</b>
<b>VI6632SA</b>	Super AeroMassage™	<b>6,868 \$</b>
<b>Not available</b>	Linear cutout	<b>N/A</b>

Standard color : White(01)

Returns accepted on white product only

### Options\*\*

	Code	Add
White acrylic grab bar (each)	G01	216 \$
Acrylic Biscuit Color	INT02	1532 \$
Acrylic Black Color	INT48	1532 \$
Removable White Skirt Panel for 66" baths	JA66	1222 \$
Chromatherapy lights	MLC	1145 \$
Tile flange for baths, see page 55	TF	228 \$
Drain cover - White	INF101	0 \$
Drain cover - Chrome	INF114	184 \$
Drain cover - Matte Black	INF148M	184 \$

**WARNING: Faucets must be installed on the wall, deck or floor (not on bath).**

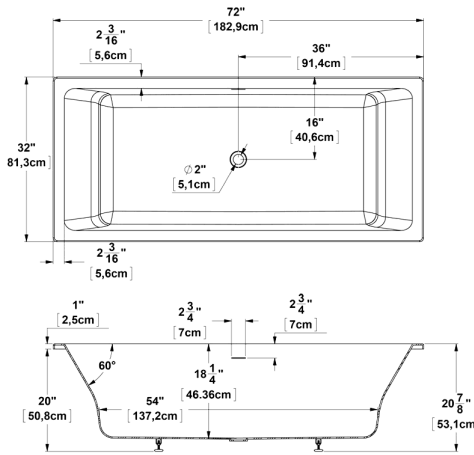
*The overflow is factory installed, the white drain is included but not installed. If system, delivered with keypad not installed and remote control is included.*

\*\*See the options chart on pages 70 to 73 of this document for all available colors and finishes

## Viele 7232

72" x 32" x 21" [182,2cm x 81,3 cm x 53,3 cm]  
82 IMP Gal. / 106.90 US Gal. / 372.70 Liters

Linear overflow and white drain included



Complete Technical specifications at [www.oceania-attitude.com](http://www.oceania-attitude.com) will prevail at all times

Product Code	Model	Price
<b>VI7232</b>	Soaker	<b>2,668 \$</b>
<b>Not available</b>	Comfort air™	<b>N/A</b>
<b>VI7232AM</b>	AeroMassage™	<b>6,368 \$</b>
<b>VI7232SA</b>	Super AeroMassage™	<b>7,368 \$</b>
<b>Not available</b>	Linear cutout	<b>N/A</b>

Standard color : White(01)

Returns accepted on white product only

Options**	Code	Add
White acrylic grab bar (each)	G01	216 \$
Acrylic Biscuit Color	INT02	1532 \$
Acrylic Black Color	INT48	1532 \$
Removable White Skirt Panel for 72" baths	JA72	1287 \$
Chromatherapy lights	MLC	1145 \$
Tile flange for baths, see page 55	TF	228 \$
Drain cover - White	INF101	0 \$
Drain cover - Chrome	INF114	184 \$
Drain cover - Matte Black	INF148M	184 \$

**WARNING: Faucets must be installed on the wall, deck or floor (not on bath).**

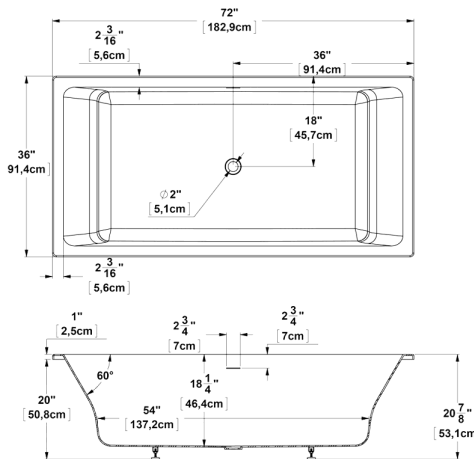
*The overflow is factory installed, the white drain is included but not installed. If system, delivered with keypad not installed and remote control is included.*

\*\*See the options chart on pages 70 to 73 of this document for all available colors and finishes

## Viele 7236

72" x 36" x 21" [182,2cm x 91,4 cm x 53,1 cm]  
95 IMP Gal. / 123.90 US Gal. / 438.80 Liters

Linear overflow and white drain included



Complete Technical specifications at [www.oceania-attitude.com](http://www.oceania-attitude.com) will prevail at all times

Product Code	Model	Price
<b>VI7236</b>	Soaker	<b>2,668 \$</b>
<b>Not available</b>	Comfort air™	<b>N/A</b>
<b>VI7236AM</b>	AeroMassage™	<b>6,368 \$</b>
<b>VI7236SA</b>	Super AeroMassage™	<b>7,368 \$</b>
<b>Not available</b>	Linear cutout	<b>N/A</b>

Standard color : White(01)

Returns accepted on white product only

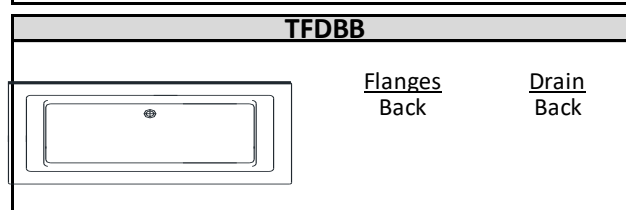
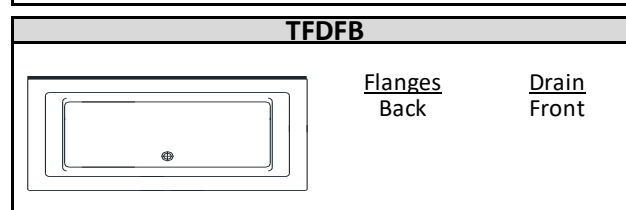
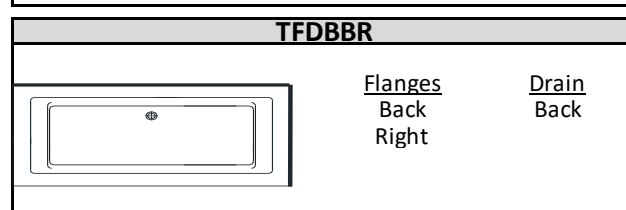
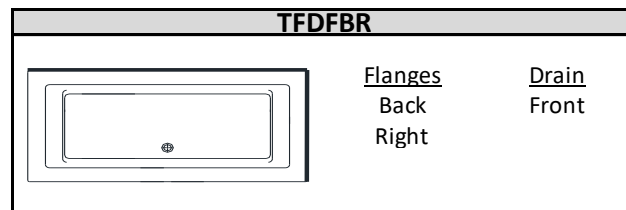
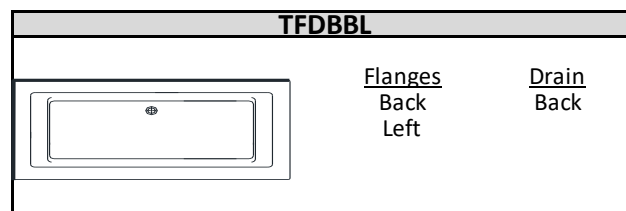
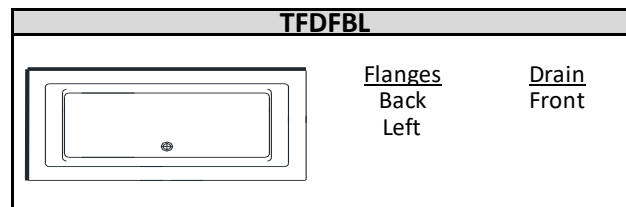
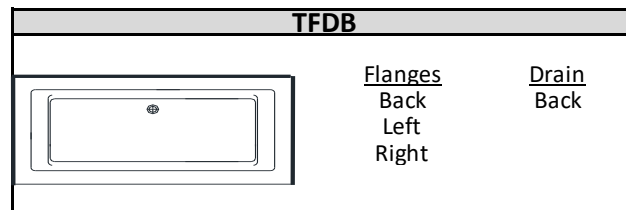
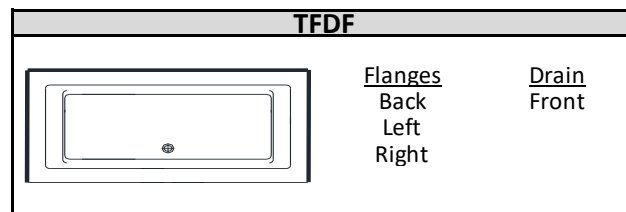
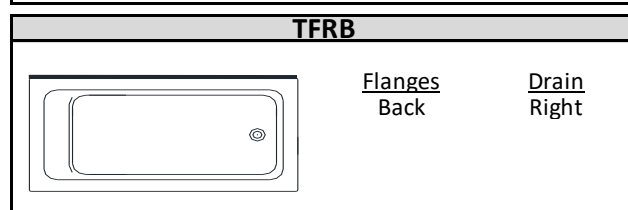
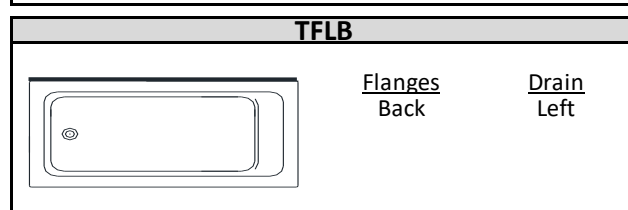
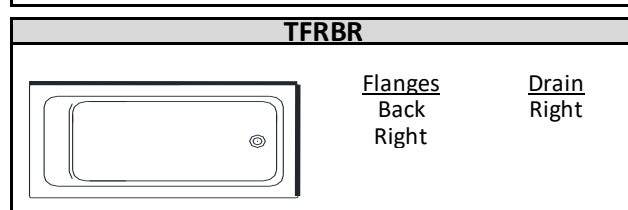
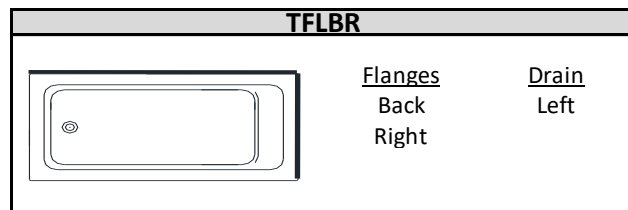
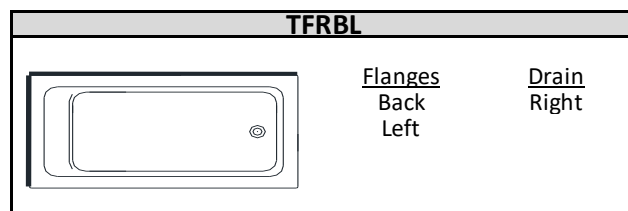
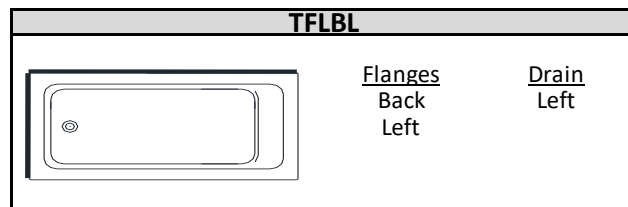
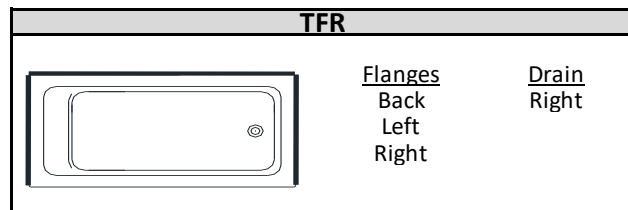
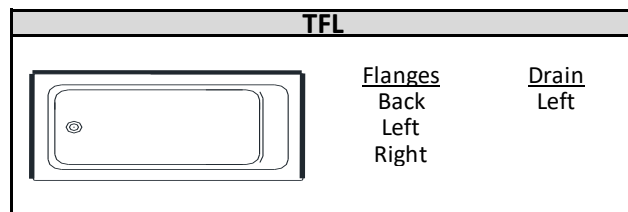
Options**	Code	Add
White acrylic grab bar (each)	G01	216 \$
Acrylic Biscuit Color	INT02	1532 \$
Acrylic Black Color	INT48	1532 \$
Removable White Skirt Panel for 72" baths	JA72	1287 \$
Chromatherapy lights	MLC	1145 \$
Tile flange for baths, see page 55	TF	228 \$
Drain cover - White	INF101	0 \$
Drain cover - Chrome	INF114	184 \$
Drain cover - Matte Black	INF148M	184 \$

**WARNING: Faucets must be installed on the wall, deck or floor (not on bath).**

*The overflow is factory installed, the white drain is included but not installed. If system, delivered with keypad not installed and remote control is included.*

\*\*See the options chart on pages 70 to 73 of this document for all available colors and finishes

## Tile flanges for baths

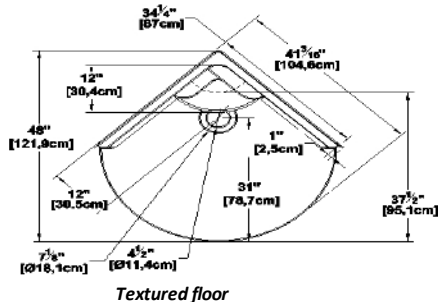
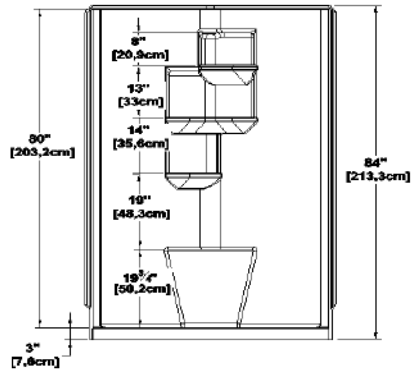


Installation cost (includes tile flanges & installation): 228 \$

# Reality 34

Available winter 2023

34" x 34" x 84" [86,4 cm x 86,4 cm x 213,4 cm]



## Retail price

Product code	Description	Price
RE34	Shower only	3 167 \$

## Color - Available in white only

White (standard)	0 \$
------------------	------

## Options

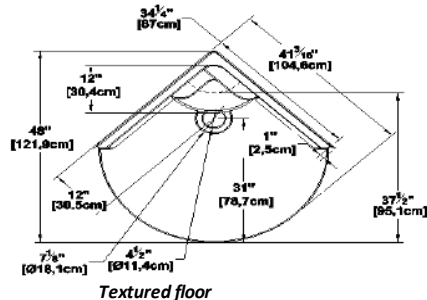
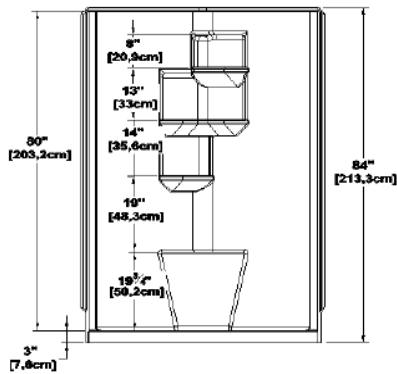
Description	Code	Price
PRE 34 door with 6mm clear glass - chrome	PRE3440	1 438 \$
PRE 34 door with 6mm frosted glass - chrome	PRE3450	1 610 \$
PRE 34 door with 6mm clear glass - matte black	PRE3440BK	1 438 \$

# Reality 34 (2 sections)

2 sections

Available winter 2023

34" x 34" x 84" [86,4 cm x 86,4 cm x 213,4 cm]



## Retail price

Product code	Description	Price
RE34	Shower only	3 560 \$

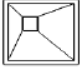

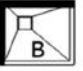



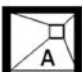



## Color - Available in white only


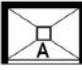
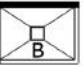
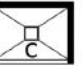

White (standard)	0 \$
------------------	------









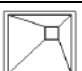

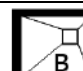

## Options

Description	Code	Price
PRE 34 door with 6mm clear glass - chrome	PRE3440	1 438 \$
PRE 34 door with 6mm frosted glass - chrome	PRE3450	1 610 \$
PRE 34 door with 6mm clear glass - matte black	PRE3440BK	1 438 \$

SHOWER BASES WITH INTEGRATED TILE FLANGES AND DOORS

34" X 32"						
BASES	Description	Code	Available tile flanges	Price		
				White (01)	Color	
BASES	 square drain cover drain 12 x 12 left corner	SB34L3212	   	1 578 \$	Available in white only	
	 square drain cover drain 12 x 12 right corner	SB34R3212	   	1 578 \$		
DOORS	Installation type		Code	Description	Price	Tile flange (for base)
	Alcove	opening on side 34"	FP34	CALIFORNIA with pivots 1 side 34"	2 286 \$	A
		opening on side 32"	FP32	CALIFORNIA with pivots 1 side 32"	2 136 \$	X*
	Corner	opening on side 34"	FP34R32	CALIFORNIA with pivots 2 sides 34"x 32"	2 922 \$	B or C
opening on side 32"		FP32R34	CALIFORNIA with pivots 2 sides 32"x 34"	2 922 \$		

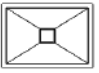
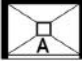
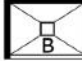
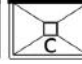

36" X 32"						
BASES	Description	Code	Available tile flanges	Price		
				White (01)	Color	
BASES	 square drain cover centered drain	SB3632	   	1 578 \$	Available in white only	
DOORS	Installation type		Code	Description	Price	Tile flange (for base)
	Alcove	opening on side 36"	PB136 <sup>+</sup>	CALIFORNIA hinged door 1 side 36"	2 054 \$	A
		opening on side 32"	FP32	CALIFORNIA with pivots 1 side 32"	2 136 \$	X*
	Corner	opening on side 36"	PB23632 <sup>+</sup>	CALIFORNIA hinged door 2 sides 36"x 32"	2 794 \$	B or C
opening on side 32"		FP32R36	CALIFORNIA with pivots 2 sides 32"x 36"	2 922 \$		

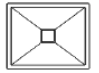
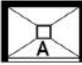
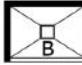
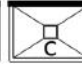

36" X 36"						
BASES	Description	Code	Available tile flanges	Price		
				White (01)	Color	
BASES	 square drain cover centered drain	SB3636	  	1 606 \$	Available in white only	
	 square drain cover drain 12 x 12 left corner	SB36L3612	  	1 606 \$	Available in white only	
	 square drain cover drain 12 x 12 right corner	SB36R3612	  	1 606 \$		
DOORS	Installation type		Code	Description	Price	Tile flange (for base)
	Alcove	opening on side 36"	PB136 <sup>+</sup>	CALIFORNIA hinged door 1 side 36"	2 054 \$	A
	Corner		PB23636 <sup>+</sup>	CALIFORNIA hinged door 2 sides 36"x 36"	2 794 \$	B or C

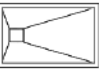

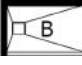

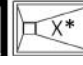
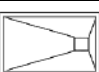

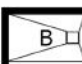

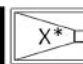
\*This configuration has no tiling flange. **The aluminum tile flanges are provided, but not factory installed.**

+Also available with Matte Black finish (Code + BK). See pages 69 to 71 for all options.

When ordering, please mention shower base code + tile flange code. Standard color is white (01) (ex : SB36L3412-B-01).

42" X 32"						
BASES		Description	Code	Available tile flanges	Price	
					White (01)	Color
		square drain cover centered drain	SB4232	   	1 666 \$	Available in white only
DOORS	Installation type		Code	Description	Price	Tile flange (for base)
	Alcove	opening on side 42"	PB142 <sup>+</sup>	CALIFORNIA hinged door 1 side 42"	2 162 \$	A
		opening on side 32"	FP32	CALIFORNIA with pivots 1 side 32"	2 136 \$	X*
	Corner	opening on side 42"	PB24232 <sup>+</sup>	CALIFORNIA hinged door 2 sides 42"x 32"	3 258 \$	B or C
opening on side 32"		FP32R42	CALIFORNIA with pivots 2 sides 32"x 42"	3 334 \$		

42" X 36"						
BASES		Description	Code	Available tile flanges	Price	
					White (01)	Color
		square drain cover centered drain	SB4236	   	1 695 \$	Available in white only
DOORS	Installation type		Code	Description	Price	Tile flange (for base)
	Alcove	opening on side 42"	PB142 <sup>+</sup>	CALIFORNIA hinged door 1 side 42"	2 162 \$	A
		opening on side 36"	PB136 <sup>+</sup>	CALIFORNIA hinged door 1 side 36"	2 054 \$	X*
	Corner	opening on side 42"	PB24236 <sup>+</sup>	CALIFORNIA hinged door 2 sides 42"x 36"	3 258 \$	B or C
opening on side 36"		PR23642 <sup>+</sup>	CALIFORNIA hinged door 2 sides 36"x 42"	3 258 \$		


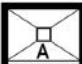
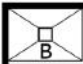
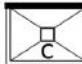





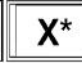




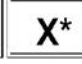
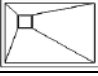

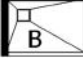


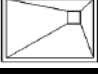




48" X 32"							
BASES		Description	Code	Available tile flanges	Price		
					White (01)	Color	
		square drain cover left hand drain	SB48L32	   	1 695 \$	Available in white only	
		square drain cover right hand drain	SB48R32	   	1 695 \$		
DOORS	Installation type		Code	Description	Price	Tile flange (for base)	
	Alcove	opening on side 48"	EKO48	EKO sliding door 1 side 48"	1 730 \$	A	
			PB148 <sup>+</sup>	CALIFORNIA hinged door 1 side 48"	2 271 \$		
			PBSD48 <sup>++</sup>	MARELIA sliding door 1 side 48"	2 550 \$		
	Corner	opening on side 32"	FP32	CALIFORNIA with pivots 1 side 32"	2 136 \$	X*	
			opening on side 48"	EKO48R32	EKO sliding door 2 sides 48"x 32"	2 532 \$	B or C
				PB24832 <sup>+</sup>	CALIFORNIA hinged door 2 sides 48"x 32"	3 437 \$	
PBSD48R32 <sup>++</sup>				MARELIA sliding door 2 sides 48"x 32"	3 442 \$		
Side wall	opening on side 48"	FP32R48	CALIFORNIA with pivots 2 sides 32"x 48"	3 511 \$	X*		
		PBSD48R232 <sup>++</sup>	MARELIA sliding door 3 sides 48"x 32"	4 834 \$			

\*This configuration has no tiling flange. **The aluminum tile flanges are provided, but not factory installed.**

+Also available with Matte Black finish (Code + BK). See pages 69 to 71 for all options.

++Also available with Matte Black finish (Code + BK) or Brushed Nickel (Code + BN). See pages 69 to 71 for all options.

When ordering, please mention shower base code + tile flange code. Standard color is white (01) (ex : SB4236-A-01).





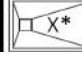
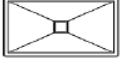



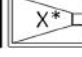

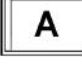

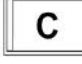
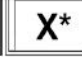






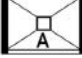
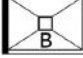
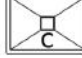


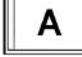
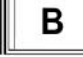
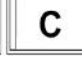
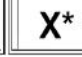




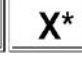
48" X 36"						
		Description	Code	Available tile flanges	Price	
					White (01)	Color
BASES		square drain cover centered drain	SB4836	   	1 695 \$	Available in white only
		rectangular drain cover left hand drain	SB48L36LI	   	1 865 \$	Available in white only
		rectangular drain cover right hand drain	SB48R36LI	   	1 865 \$	
		square drain cover drain 12 x 12 left corner	SB48L3612	   	1 695 \$	Available in white only
		square drain cover drain 12 x 12 right corner	SB48R3612	   	1 695 \$	
DOORS	Installation type		Code	Description	Price	Tile flange (for base)
	Alcove	opening on side 48"	EKO48	EKO sliding door 1 side 48"	1 730 \$	A
			PB148 <sup>+</sup>	CALIFORNIA hinged door 1 side 48"	2 271 \$	
			PBSD48 <sup>++</sup>	MARELIA sliding door 1 side 48"	2 550 \$	
	Corner	opening on side 48"	PB136 <sup>+</sup>	CALIFORNIA hinged door 1 side 36"	2 054 \$	X*
			EKO48R36	EKO sliding door 2 sides 48"x 36"	2 532 \$	B or C
		opening on side 36"	PB24836 <sup>+</sup>	CALIFORNIA hinged door 2 sides 48"x 36"	3 437 \$	
			PBSD48R36 <sup>++</sup>	MARELIA sliding door 2 sides 48"x 36"	3 442 \$	
	Side wall	opening on side 48"	PR23648 <sup>+</sup>	CALIFORNIA hinged door 2 sides 36"x 48"	3 437 \$	X*
		PBSD48R236 <sup>++</sup>	MARELIA sliding door 3 sides 48"x 36"	4 834 \$		

\*This configuration has no tiling flange. **The aluminum tile flanges are provided, but not factory installed.**

+Also available with Matte Black finish (Code + BK). See pages 69 to 71 for all options.

++Also available with Matte Black finish (Code + BK) or Brushed Nickel (Code + BN). See pages 69 to 71 for all options.

When ordering, please mention shower base code + tile flange code. Standard color is white (01) (ex : SB4836-A-01).

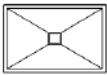
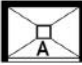
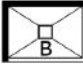
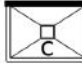

60" X 32"						
		Description	Code	Available tile flanges	Price	
					White (01)	Color
BASES		square drain cover left hand drain	SB60L32	   	1 926 \$	Available in white only
		square drain cover right hand drain	SB60R32	   	1 926 \$	
		rectangular drain cover left hand drain	SB60L32LI	   	2 096 \$	Available in white only
		rectangular drain cover right hand drain	SB60R32LI	   	2 096 \$	
DOORS	Installation type		Code	Description	Price	Tile flange (for base)
	Alcove	opening on side 60"	EKO60	EKO sliding door 1 side 60"	1 893 \$	A
			PBSD60 <sup>++</sup>	MARELIA sliding door 1 side 60"	2 748 \$	
		opening on side 32"	FP32	CALIFORNIA with pivots 1 side 32"	2 136 \$	X*
	Corner	opening on side 60"	PBSD60R32 <sup>++</sup>	MARELIA sliding door 2 sides 60"x 32"	3 691 \$	B or C
			EKO60R32	EKO sliding door 2 sides 60"x 32"	2 689 \$	
	Side wall	opening on side 60"	PBSD60R232 <sup>++</sup>	MARELIA sliding door 3 sides 60"x 32"	5 457 \$	X*
60" X 36"						
		Description	Code	Available tile flanges	Price	
					White (01)	Color
BASES		square drain cover centered drain	SB6036	   	1 926 \$	Available in white only
		rectangular drain cover left hand drain	SB60L36LI	   	2 096 \$	Available in white only
		rectangular drain cover right hand drain	SB60R36LI	   	2 096 \$	
DOORS	Installation type		Code	Description	Price	Tile flange (for base)
	Alcove	opening on side 60"	EKO60	EKO sliding door 1 side 60"	1 893 \$	A
			PBSD60 <sup>++</sup>	MARELIA sliding door 1 side 60"	2 748 \$	
		opening on side 36"	PB136 <sup>+</sup>	CALIFORNIA hinged door 1 side 36"	2 054 \$	X*
	Corner	opening on side 60"	EKO60R36	EKO sliding door 2 sides 60"x 36"	2 689 \$	B or C
			PBSD60R36 <sup>++</sup>	MARELIA sliding door 2 sides 60"x 36"	3 724 \$	
Side wall	opening on side 60"	PBSD60R236 <sup>++</sup>	MARELIA sliding door 3 sides 60"x 36"	5 457 \$	X*	

\*This configuration has no tiling flange. **The aluminum tile flanges are provided, but not factory installed.**

+Also available with Matte Black finish (Code + BK). See pages 69 to 71 for all options.

++Also available with Matte Black finish (Code + BK) or Brushed Nickel (Code + BN). See pages 69 to 71 for all options.

When ordering, please mention shower base code + tile flange code. Standard color is white (01) (ex : SB6030-A-01).

60" X 42"						
BASES		Description	Code	Available tile flanges    	Price	
					White (01)	Color
		square drain cover centered drain	SB6042		1 948 \$	Available in white only
DOORS	Installation type		Code	Description	Price	Tile flange (for base)
	Alcove	opening on side 60"	EKO60	EKO sliding door 1 side 60"	1 893 \$	A
			PBSD60 <sup>++</sup>	MARELIA sliding door 1 side 60"	2 748 \$	
		opening on side 42"	PB142 <sup>+</sup>	CALIFORNIA hinged door 1 side 42"	2 162 \$	X*
	Corner	opening on side 60"	PBSD60R42 <sup>++</sup>	MARELIA sliding door 2 sides 60"x 42"	3 829 \$	B or C
Side wall	opening on side 60"	PBSD60R242 <sup>++</sup>	MARELIA sliding door 3 sides 60"x 42"	5 552 \$	X*	










\*This configuration has no tiling flange. **The aluminum tile flanges are provided, but not factory installed.**

+Also available with Matte Black finish (Code + BK). See pages 69 to 71 for all options.

++Also available with Matte Black finish (Code + BK) or Brushed Nickel (Code + BN). See pages 69 to 71 for all options.

When ordering, please mention shower base code + tile flange code. Standard color is white (01) (ex : SB6636-B-01).

SHOWER BASES WITHOUT FLANGES AND DOORS  
ALUMINUM FLANGES SUPPLIED BUT NOT INSTALLED

BASES				COMPATIBLE DOORS		
	Code	Description	Price	Door code	Door description	Door price
	SB32L3212X	square drain cover drain 12 x 12 left corner	1 578 \$	FP32	CALIFORNIA with pivots 1 side 32"	2 136 \$
	SB32R3212X	square drain cover drain 12 x 12 right corner		FP32R32	CALIFORNIA with pivots 2 sides 32"x 32"	2 899 \$
	SB36L3412X	square drain cover drain 12 x 12 left corner	1 606 \$	PB136 <sup>+</sup>	CALIFORNIA hinged door 1 side 36"	2 054 \$
				FP34	CALIFORNIA with pivots 1 side 34"	2 286 \$
	SB36R3412X	square drain cover drain 12 x 12 right corner		PB23634 <sup>+</sup>	CALIFORNIA hinged door 2 sides 36"x 34"	2 794 \$
				FP34R36	CALIFORNIA with pivots 2 sides 34"x 36"	2 922 \$
	SB42L4212X	square drain cover drain 12 x 12 left corner	1 695 \$	PB142 <sup>+</sup>	CALIFORNIA hinged door 1 side 42"	2 162 \$
	SB42R4212X	square drain cover drain 12 x 12 right corner		PB24242 <sup>+</sup>	CALIFORNIA hinged door 2 sides 42"x 42"	3 397 \$
	SB4842X	square drain cover centered drain	1 834 \$	EKO48	EKO sliding door 1 side 48"	1 730 \$
				PB148 <sup>+</sup>	CALIFORNIA hinged door 1 side 48"	2 271 \$
				PBSD48 <sup>++</sup>	MARELIA sliding door 1 side 48"	2 550 \$
				PB142 <sup>+</sup>	CALIFORNIA hinged door 1 side 42"	2 162 \$
				PB24842 <sup>+</sup>	CALIFORNIA hinged door 2 sides 48"x 42"	3 503 \$
				PBSD48R42 <sup>++</sup>	MARELIA sliding door 2 sides 48"x 42"	3 627 \$
				PR24248 <sup>+</sup>	CALIFORNIA hinged door 2 sides 42"x 48"	3 503 \$
				PBSD48R242 <sup>++</sup>	MARELIA sliding door 3 sides 48"x 42"	5 457 \$
	SB6048X	square drain cover centered drain	2 135 \$	EKO60	EKO sliding door 1 side 60"	1 893 \$
				PBSD60 <sup>++</sup>	MARELIA sliding door 1 side 60"	2 748 \$
				EKO48	EKO sliding door 1 side 48"	1 730 \$
				PB148 <sup>+</sup>	CALIFORNIA hinged door 1 side 48"	2 271 \$
				PBSD48 <sup>++</sup>	MARELIA sliding door 1 side 48"	2 550 \$
				PBSD60R48 <sup>++</sup>	MARELIA sliding door 2 sides 60"x 48"	3 962 \$
				PBSD60R248 <sup>++</sup>	MARELIA sliding door 3 sides 60"x 48"	5 976 \$
	SB6636X	rectangular drain cover	2 096 \$	PBSD66 <sup>+</sup>	MARELIA sliding door 1 side 66"	3 150 \$
				PB136 <sup>+</sup>	CALIFORNIA hinged door 1 side 36"	2 054 \$
				PBSD66R36 <sup>+</sup>	MARELIA sliding door 2 sides 66"x 36"	4 221 \$
				PBSD66R236 <sup>+</sup>	MARELIA sliding door 3 sides 66"x 36"	5 954 \$

These bases have no tiling flange installed. **The aluminum tile flanges are provided, but not factory installed.**

+Also available with Matte Black finish (Code + BK). See pages 69 to 71 for all options.

++Also available with Matte Black finish (Code + BK) or Brushed Nickel (Code + BN). See pages 69 to 71 for all options.

When ordering, please mention the base code and the standard color white (01) (ex: SB6636X01).

All bases are available in white only.

## Shower Base Screens - 78<sup>3</sup>/<sub>4</sub>" height

Fixed shower screens allowing a multitude of possibilities and arrangements according to your needs.

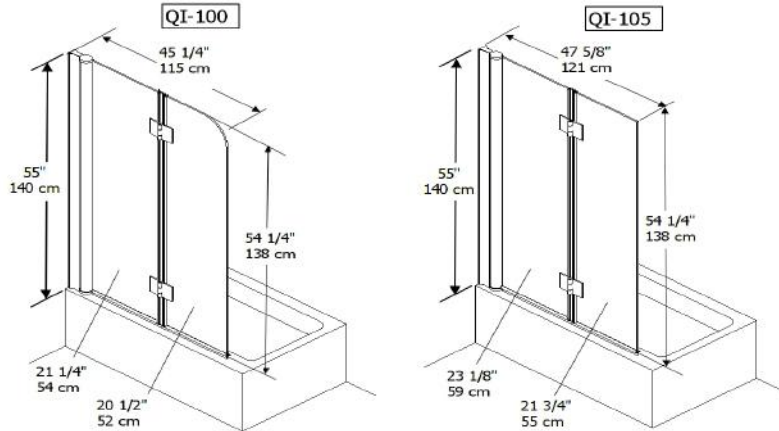
Clear 8mm glass, ClearView™ treated, reversible installation, available in chrome and Matte Black.

Dimensions		Code	Price	
Front	Maximum		Chrome	Matte Black (Code + BK)
29"	29 <sup>1</sup> / <sub>4</sub> "	R32	1 184 \$	1 689 \$
31"	31 <sup>1</sup> / <sub>4</sub> "	R34	1 239 \$	1 750 \$
33"	33 <sup>1</sup> / <sub>4</sub> "	R36	1 239 \$	1 750 \$
39"	39 <sup>1</sup> / <sub>4</sub> "	R42	1 376 \$	1 842 \$
45"	45 <sup>1</sup> / <sub>4</sub> "	R48	1 411 \$	1 929 \$



## Bath Screens

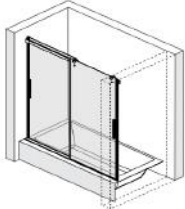

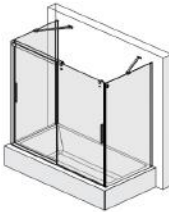
Code	Description	Price
QI100	Bath screen (round corner)	1 336 \$
QI105	Bath screen (square corner)	1 336 \$
QI105BK	Bath screen (square corner) - Black matte finish	1 487 \$
QI105BN	Bath screen (square corner) - Brushed Nickel finish	1 911 \$



The Frameless Clear Glass Shower Panel has a thickness of 6mm. Contemporary in look with a high-design, leak-proof support that allows the glass door panel to pivot 180 degrees. The entire glass panel folds together 180 degrees allowing full and easy access to faucets. When folding the glass panels together, the wall mounted hinges are designed to lift the door slightly preventing scratching of the acrylic bath surface. Reversible by design, the QI Glass Shower Panels can be installed either left hand or right hand. Can be installed on any bath with flat surface. Treated on both sides with ClearView™, Oceania's Water Repellent Technology, minimal maintenance is required.

## HYDRIA bathtub doors - 64" height

The Hydria bathtub door is all about transparency and simplicity. With its double bidirectional sliding panels, it allows faucet and bathtub access. Other features : Magnets on each end for a perfect seal, 8 mm tempered glass with Oceania Clear View™ treatment, acrylic door seals, chrome finish.

ALCOVE Installation*	Dimensions			Code	Price		
	Front	Side panel	Door opening		Chrome	Matte Black (Code + BK)	
	60"	N/A	28 <sup>3</sup> / <sub>8</sub> " to 29 <sup>7</sup> / <sub>8</sub> "		HY60	2 333 \$	
66"	N/A	31 <sup>3</sup> / <sub>8</sub> " to 32 <sup>7</sup> / <sub>8</sub> "	HY66	2 474 \$	2 982 \$		
CORNER Installation**	Dimensions			Code	Price		
	Front	Side panel	Door opening		Chrome	Matte Black (Code + BK)	
	60"	31"	28 <sup>3</sup> / <sub>8</sub> " to 29 <sup>7</sup> / <sub>8</sub> "		HY60R31	3 215 \$	
66"	31"	31 <sup>3</sup> / <sub>8</sub> " to 32 <sup>7</sup> / <sub>8</sub> "	HY66R31	3 486 \$	4 048 \$		
SIDE WALL Installation**	Dimensions			Code	Price		
	Front	Side panel	Door opening		Chrome	Matte Black (Code + BK)	
	60"	31"	28 <sup>3</sup> / <sub>8</sub> " to 29 <sup>7</sup> / <sub>8</sub> "		HY60R231	4 099 \$	
66"	31"	31 <sup>3</sup> / <sub>8</sub> " to 32 <sup>7</sup> / <sub>8</sub> "	HY66R231	4 501 \$	5 104 \$		
Option	Wall jamb extension 3/4 " (for 32" baths)			WJEXT75	242 \$		

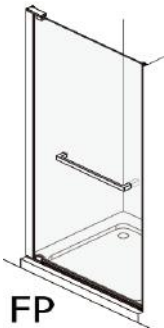
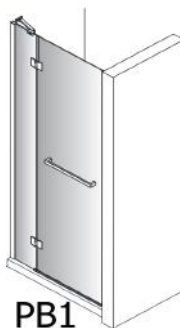
\*Installation on bathtubs having a top side of at least 3<sup>3</sup>/<sub>4</sub>" wide.

\*\* Designed to be installed on Suite, Loft and Urbania bathtubs (60x31 or 66x31).

## OCEANIA SHOWER DOORS


Clear 8mm glass, ClearView™ treated, all doors can be installed left or right hand side, standard chrome hardware and trims (some series offered with Matte Black or Brushed Nickel finish).

<b>"CALIFORNIA" SERIES</b>						
<b>Shower doors - with pivots (FP) and hinged (PB1)</b>						
Dimensions			Code	Price		
Front	Side (return)	Door opening		Chrome	Matte Black (Code + BK)	
32"		25" to 26"	FP32	2 136 \$	Not available	
34"		27" to 28"	FP34	2 286 \$	Not available	
36"		23 $\frac{3}{8}$ "	PB136	2 054 \$	2 272 \$	
42"			PB142	2 162 \$	2 381 \$	
48"			PB148	2 271 \$	2 489 \$	





FP
PB1

**"MARELIA" SERIES**						
**Sliding shower doors (PBSD)**						
Dimensions			Code	Price		
Front	Side (return)	Door opening	Chrome	Matte Black (Code + BK)	Brushed Nickel (Code + BN)	
48"		19" to 20"	PBSD48	2 550 \$	3 253 \$	3 253 \$
60"		25" to 26"	PBSD60	2 748 \$	3 413 \$	3 413 \$
66"		PBSD66	3 150 \$	3 913 \$	Not available	



**"EKO" SERIES**						
**Sliding shower doors (EKO)**						
Dimensions			Code	Price		
Front	Side (return)	Door opening				
48"		18 $\frac{1}{4}$ " to 19 $\frac{1}{4}$ "	EKO48	1 730 \$		
60"		24 $\frac{1}{4}$ " to 25 $\frac{1}{4}$ "	EKO60	1 893 \$		

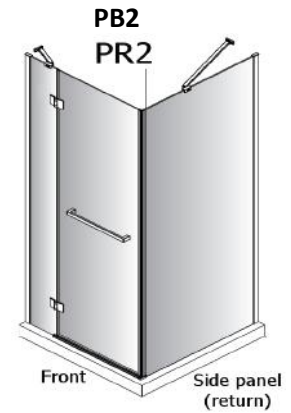
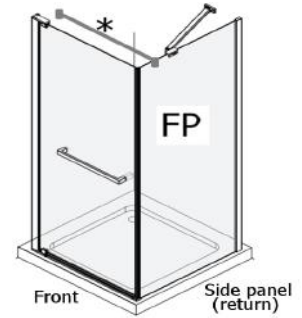


ALCOVE Installation

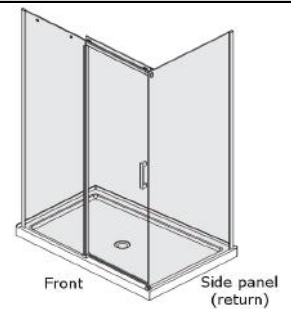
OCEANIA SHOWER DOORS

Clear 8mm glass, ClearView™ treated, all doors can be installed left or right hand side, standard chrome hardware and trims (some series offered with Matte Black or Brushed Nickel finish).

<b>"CALIFORNIA" SERIES</b>						
Shower doors - with pivots (FP) and hinged (PB2) - opening on LONG side						
Dimensions			Code	Price		
Front	Side (return)	Door opening		Chrome	Matte Black (Code + BK)	
32"	32"	25" to 26"	FP32R32*	2 899 \$	Not available	
34"	32"	27" to 28"	FP34R32*	2 922 \$	Not available	
36"	32"	24"	PB23632	2 794 \$	3 372 \$	
36"	34"		PB23634	2 794 \$	3 372 \$	
36"	36"		PB23636	2 794 \$	3 372 \$	
42"	32"		PB24232	3 258 \$	3 837 \$	
42"	36"		PB24236	3 258 \$	3 837 \$	
42"	42"		PB24242	3 397 \$	3 975 \$	
48"	32"		PB24832	3 437 \$	4 015 \$	
48"	36"		PB24836	3 437 \$	4 015 \$	
48"	42"	PB24842	3 503 \$	4 081 \$		
* Optional transversal support			STFP32 or STFP34	190 \$	Not available	
Shower doors - with pivots (FP) and hinged (PR2) - opening on SHORT side						
Dimensions			Code	Price		
Front	Side (return)	Door opening		Chrome	Matte Black (Code + BK)	
32"	34"	25" to 26"	FP32R34*	2 922 \$	Not available	
32"	36"		FP32R36*	2 922 \$	Not available	
32"	42"		FP32R42*	3 334 \$	Not available	
32"	48"		FP32R48*	3 511 \$	Not available	
34"	36"	27" to 28"	FP34R36*	2 922 \$	Not available	
36"	42"	24"	PR23642	3 258 \$	3 837 \$	
36"	48"		PR23648	3 437 \$	4 015 \$	
42"	48"		PR24248	3 503 \$	4 081 \$	
* Optional transversal support			STFP32 or STFP34	190 \$	Not available	
<b>"EKO" SERIES</b>						
Corner sliding shower doors (EKO)						
Dimensions			Code	Price		
Front	Side (return)	Door opening				
48"	32"	18¼" to 19¼"	EKO48R32	2 532 \$		
48"	36"		EKO48R36	2 532 \$		
60"	32"	24¼" to 25¼"	EKO60R32	2 689 \$		
60"	36"		EKO60R36	2 689 \$		



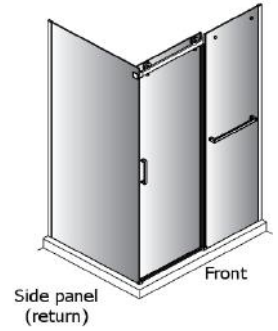
CORNER Installation



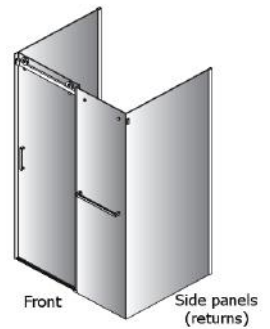
## OCEANIA SHOWER DOORS

Clear 8mm glass, ClearView™ treated, all doors can be installed left or right hand side, standard chrome hardware and trims (some series offered with Matte Black or Brushed Nickel finish).

<b>"MARELIA" SERIES</b>							
<b>CORNER Installation</b>	<b>Corner sliding shower doors (PBSDR)</b>						
	Dimensions			Code	Price		
	Front	Side (return)	Door opening		Chrome	Matte Black (Code + BK)	Brushed Nickel (Code + BN)
	48"	32"	19" to 20"	PBSD48R32	3 442 \$	4 150 \$	4 150 \$
	48"	36"		PBSD48R36	3 442 \$	4 150 \$	4 150 \$
	48"	42"		PBSD48R42	3 627 \$	4 299 \$	4 299 \$
	60"	32"	25" to 26"	PBSD60R32	3 691 \$	4 351 \$	4 351 \$
	60"	36"		PBSD60R36	3 724 \$	4 377 \$	4 377 \$
	60"	42"		PBSD60R42	3 829 \$	4 464 \$	4 464 \$
	60"	48"		PBSD60R48	3 962 \$	4 572 \$	4 572 \$
66"	36"	PBSD66R36		4 221 \$	4 858 \$	Not available	



<b>"MARELIA" SERIES</b>							
<b>SIDE WALL Installation</b>	<b>Sliding shower doors (PBSDR2)</b>						
	Dimensions			Code	Price		
	Front	Sides (returns)	Door opening		Chrome	Matte Black (Code + BK)	Brushed Nickel (Code + BN)
	48"	32"	19" to 20"	PBSD48R232	4 834 \$	5 499 \$	5 499 \$
	48"	36"		PBSD48R236	4 834 \$	5 499 \$	5 499 \$
	48"	42"		PBSD48R242	5 457 \$	6 003 \$	6 003 \$
	60"	32"	25" to 26"	PBSD60R232	5 457 \$	6 003 \$	6 003 \$
	60"	36"		PBSD60R236	5 457 \$	6 003 \$	6 003 \$
	60"	42"		PBSD60R242	5 552 \$	6 080 \$	6 080 \$
	60"	48"		PBSD60R248	5 976 \$	6 427 \$	6 427 \$
66"	36"	PBSD66R236		5 954 \$	6 483 \$	Not available	



## CORNER SHOWER DOORS

### Corner shower doors (PRE) - Reality

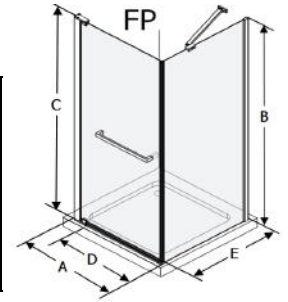
Dimensions	Code	Description	Price
Sides			
34"	PRE3440	PRE 34 door with 6mm clear glass - chrome	1 438 \$
	PRE3450	PRE 34 door with 6mm frosted glass - chrome	1 610 \$
	PRE3440BK	PRE 34 door with 6mm clear glass - matte black	1 438 \$



## Doors dimensions

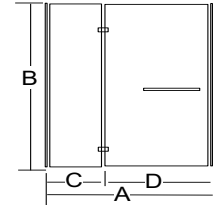
### FP doors - California

Code	A (min)	A (max)	B	C	D (min)	D(max)	E (min)	E (max)
FP32	29¼"	30½"	78¾"	79½"	25"	26"		
FP34	31¼"	32½"			27"	28"		
FP32R32	29⅞"	30⅞"	78¾"	79½"	25"	26"		
FP32R34							31¼"	32⅞"
FP32R36							33⅞"	34⅞"
FP32R42							39⅞"	40⅞"
FP32R48							45⅞"	46⅞"
FP34R32	31⅞"	32⅞"	78¾"	79½"	27"	28"	29⅞"	30⅞"
FP34R36							33⅞"	34⅞"



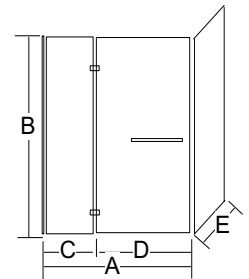
### PB1 doors - California (front only)

Code	A (min)	A (max)	B	C	D
PB136	33⅞"	34¼"	78¾"	8"	23⅞"
PB142	39⅞"	40⅞"		14"	
PB148	45⅞"	46⅞"		20"	



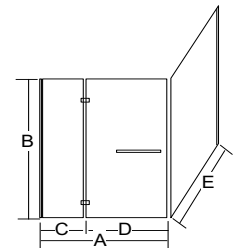
### PB2 doors - California (long side opening + 1 side panel)

Code	A (min)	A (max)	B	C	D	E (max)
PB23632	33⅞"	34⅞"	78¾"	8"	24"	29½"
PB23634						31½"
PB23636						33½"
PB24232	39⅞"	40⅞"	78¾"	14"	24"	29½"
PB24236						33½"
PB24242						39½"
PB24832	45⅞"	46⅞"	78¾"	20"	24"	29½"
PB24836						33½"
PB24842						39½"



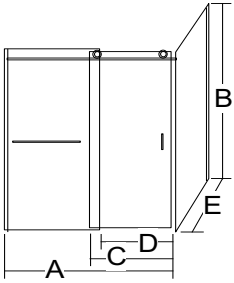
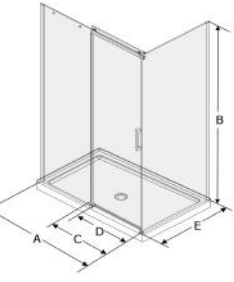
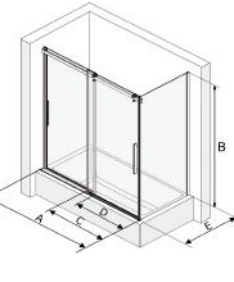
### PR2 doors - California (short side opening + 1 return panel)

Code	A (min)	A (max)	B	C	D	E (min)	E (max)
PR23642	33⅞"	34⅞"	78¾"	8"	24"	39½"	40⅞"
PR23648						45½"	46⅞"
PR24248	39⅞"	40⅞"	78¾"	14"	24"	45½"	46⅞"

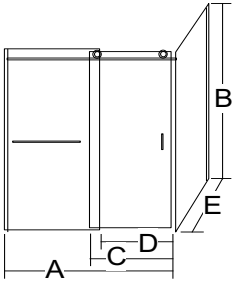
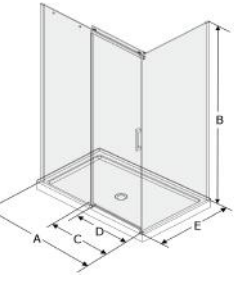


## Doors dimensions

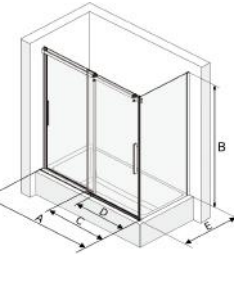
### PBSD doors - Marelia

Code	A (min)	A (max)	B	C	D (min)	D(max)	E (min)	E (max)			
PBSD48	45 $\frac{7}{8}$ "	46 $\frac{5}{8}$ "	78 $\frac{3}{4}$ "	25 $\frac{1}{4}$ "	19"	20"					
PBSD60	57 $\frac{7}{8}$ "	58 $\frac{5}{8}$ "		31 $\frac{1}{4}$ "	25"	26"					
PBSD66	63 $\frac{7}{8}$ "	64 $\frac{5}{8}$ "		31 $\frac{1}{4}$ "	25"	26"					
PBSD48R32	46"	46 $\frac{3}{4}$ "	78 $\frac{3}{4}$ "	25 $\frac{1}{4}$ "	19"	20"	30 $\frac{3}{4}$ "	30 $\frac{3}{4}$ "			
PBSD48R36							34 $\frac{1}{4}$ "	34 $\frac{5}{8}$ "			
PBSD48R42							40 $\frac{3}{8}$ "	40 $\frac{3}{4}$ "			
PBSD60R32	58"	58 $\frac{3}{4}$ "	78 $\frac{3}{4}$ "	31 $\frac{1}{4}$ "	25"	26"	30 $\frac{3}{4}$ "	30 $\frac{3}{4}$ "			
PBSD60R36							34 $\frac{1}{4}$ "	34 $\frac{5}{8}$ "			
PBSD60R42							40 $\frac{3}{8}$ "	40 $\frac{3}{4}$ "			
PBSD60R48							46 $\frac{1}{4}$ "	46 $\frac{1}{4}$ "			
PBSD66R36	64"	64 $\frac{3}{4}$ "	78 $\frac{3}{4}$ "	31 $\frac{1}{4}$ "	25"	26"	34 $\frac{1}{4}$ "	34 $\frac{5}{8}$ "			
PBSD48R232	46 $\frac{5}{8}$ "	46 $\frac{5}{8}$ "	78 $\frac{3}{4}$ "	25 $\frac{1}{4}$ "	19"	20"	30 $\frac{3}{4}$ "	30 $\frac{3}{4}$ "			
PBSD48R236							34 $\frac{1}{4}$ "	34 $\frac{5}{8}$ "			
PBSD48R242							40 $\frac{3}{8}$ "	40 $\frac{3}{4}$ "			
PBSD60R232	58 $\frac{3}{4}$ "	58 $\frac{3}{4}$ "	78 $\frac{3}{4}$ "	31 $\frac{1}{4}$ "	25"	26"	30 $\frac{3}{4}$ "	30 $\frac{3}{4}$ "			
PBSD60R236							34 $\frac{1}{4}$ "	34 $\frac{5}{8}$ "			
PBSD60R242							40 $\frac{3}{8}$ "	40 $\frac{3}{4}$ "			
PBSD60R248							46 $\frac{1}{4}$ "	46 $\frac{1}{4}$ "			
PBSD66R236	64 $\frac{3}{8}$ "	64 $\frac{3}{8}$ "	78 $\frac{3}{4}$ "	31 $\frac{1}{4}$ "	25"	26"	34 $\frac{1}{4}$ "	34 $\frac{5}{8}$ "			

### EKO doors

Code	A (min)	A (max)	B	C	D (min)	D(max)	E (min)	E (max)		
EKO48	45 $\frac{1}{2}$ "	46"	78 $\frac{3}{4}$ "	23 $\frac{3}{4}$ "	18 $\frac{1}{4}$ "	19 $\frac{1}{4}$ "				
EKO60	57 $\frac{1}{2}$ "	58"		29 $\frac{5}{8}$ "	24 $\frac{1}{4}$ "	25 $\frac{1}{4}$ "				
EKO48R32	45 $\frac{1}{2}$ "	46"	78 $\frac{3}{4}$ "	23 $\frac{3}{4}$ "	18 $\frac{1}{4}$ "	19 $\frac{1}{4}$ "	29 $\frac{3}{4}$ "	30 $\frac{1}{4}$ "		
EKO48R36							33 $\frac{3}{4}$ "	34 $\frac{1}{4}$ "		
EKO60R32	57 $\frac{1}{2}$ "	58"	78 $\frac{3}{4}$ "	29 $\frac{5}{8}$ "	24 $\frac{1}{4}$ "	25 $\frac{1}{4}$ "	29 $\frac{3}{4}$ "	30 $\frac{1}{4}$ "		
EKO60R36							33 $\frac{3}{4}$ "	34 $\frac{1}{4}$ "		

### HYDRIA doors (installed on a bathtub)

Code	A (min)	A (max)	B	C	D (min)	D(max)	E (min)	E (max)	
HY60*	57 $\frac{7}{8}$ "	58 $\frac{5}{8}$ "	64"	29 $\frac{1}{4}$ "	28 $\frac{3}{8}$ "	29 $\frac{5}{8}$ "			
HY66*	63 $\frac{7}{8}$ "	64 $\frac{5}{8}$ "		32 $\frac{1}{4}$ "	31 $\frac{1}{8}$ "	32 $\frac{1}{8}$ "			
HY60R31**	57 $\frac{7}{8}$ "	58 $\frac{5}{8}$ "	64"	29 $\frac{1}{4}$ "	28 $\frac{3}{8}$ "	29 $\frac{5}{8}$ "	28 $\frac{3}{4}$ "	29 $\frac{1}{4}$ "	
HY66R31**	63 $\frac{7}{8}$ "	64 $\frac{5}{8}$ "		32 $\frac{1}{4}$ "	31 $\frac{1}{8}$ "	32 $\frac{1}{8}$ "	28 $\frac{3}{4}$ "	29 $\frac{1}{4}$ "	
HY60R231**	57 $\frac{7}{8}$ "	58 $\frac{5}{8}$ "	64"	29 $\frac{1}{4}$ "	28 $\frac{3}{8}$ "	29 $\frac{5}{8}$ "	28 $\frac{3}{4}$ "	29 $\frac{1}{4}$ "	
HY66R231**	63 $\frac{7}{8}$ "	64 $\frac{5}{8}$ "		32 $\frac{1}{4}$ "	31 $\frac{1}{8}$ "	32 $\frac{1}{8}$ "	28 $\frac{3}{4}$ "	29 $\frac{1}{4}$ "	

\*Installation on bathtubs having a top side of at least 3 $\frac{3}{4}$ " wide.

\*\*Designed to be installed on Suite, Loft and Urbania bathtubs (60x31 or 66x31).

## Drains and overflows


### Drain and overflow - Cable activated 40"

Material(s)	Code	Color	Price
PVC / solid brass trim	<b>WOCO14</b>	Chrome	<b>371 \$</b>
	<b>WOCO12</b>	Gold	<b>371 \$</b>
	<b>WOCO16</b>	Brushed nickel	<b>371 \$</b>
	<b>WOCO17</b>	Polished nickel	<b>459 \$</b>
PVC / molded plastic trim	<b>WOCOMP01</b>	White	<b>293 \$</b>
	<b>WOCOMP02</b>	Biscuit	<b>293 \$</b>

### Drain and overflow - Cable activated 20"

Material(s)	Code	Color	Price
Flexible brass / solid brass trim	<b>WOCOSBS14</b>	Chrome	<b>590 \$</b>
	<b>WOCOSBS12</b>	Gold	<b>920 \$</b>
	<b>WOCOSBS16</b>	Brushed nickel	<b>793 \$</b>
	<b>WOCOSBS17</b>	Polished nickel	<b>920 \$</b>

### Adaptor for Freestanding tubs drain

Image	Code	Price
	<b>FBQD</b>	<b>396 \$</b>

### Drain cover for Authentik Signature Series

Material(s)	Code	Color	Price
Plated brass	<b>INF114</b>	Chrome	<b>184 \$</b>
	<b>INF116</b>	Brushed nickel	<b>184 \$</b>
	<b>INF117</b>	Polished nickel	<b>184 \$</b>
Powder coated brass*	<b>INF101</b>	White	<b>184 \$</b>
	<b>INF148M</b>	Matte Black	<b>184 \$</b>

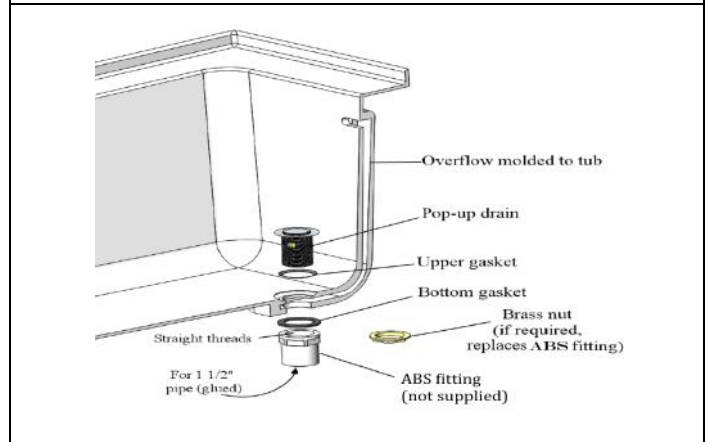
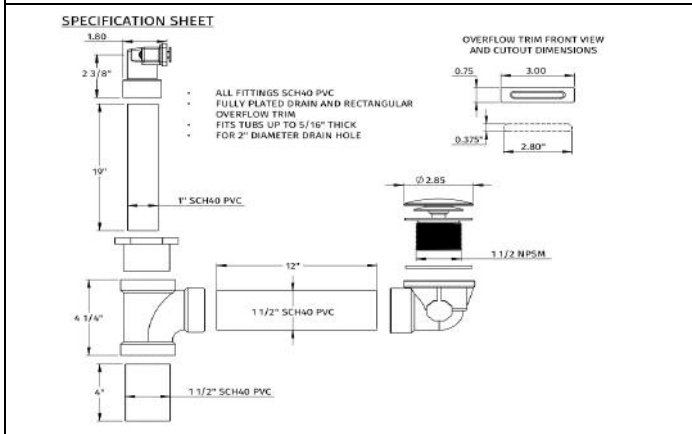
\*No warranty offered on these special finishes

### Linear overflow and drain

The overflow is factory installed, drain is included but not installed.

Material(s)	Code	Color	Price
Plated brass	<b>BDW-114</b>	Chrome	<b>359 \$</b>
	<b>BDW-116</b>	Brushed nickel	<b>378 \$</b>
	<b>BDW-117</b>	Polished nickel	<b>378 \$</b>
Powder coated brass*	<b>BDW-101</b>	White	<b>378 \$</b>
	<b>BDW-148M</b>	Matte Black	<b>378 \$</b>

\*No warranty offered on these special finishes



## General options

### Solid acrylic grab bar

Code	Color	Price
G01	White	216 \$
G02	Biscuit	216 \$



### Clear acrylic grab bar

Code	Insert	Price
G14	Chrome	273 \$
G12	Gold	273 \$



### Chromatherapy light<sup>1</sup>

Code	Color	Price
MLC	Variable LED	1 145 \$



<sup>1</sup> Not available if ordered with Comfort Air system.

### Floating remote control<sup>2</sup>

Code	Color	Price
RC01	White	593 \$
RC02	Biscuit	593 \$



<sup>2</sup> Keyboard is delivered but not installed if a remote control is ordered

### Removable skirt panel "JA", white acrylic only

Code	Type	Length (BETWEEN 2 FINISHED WALLS)	Skirt height	Price
JA60S	60" low profile	57¼" to 59"	18¼"	1 166 \$
JA60	60"	57¼" to 59"	20½"	1 166 \$
JA66	66"	63¾" to 65½"	19½"	1 222 \$
JA72	72"	69½" to 71¼"	19½"	1 287 \$
JAXL	XL	71½" to 73¼"	21¼"	1 287 \$

To be installed behind tub lip, between 2 finished walls, on a finished floor.  
It is possible to cut the skirt panel if required ( up to 6" less in length, up to 3" less in Tile Flanges not included, see p.55 for flanges for bath configurations.



### Keypad options

Color	Code	Price
White	C01	included*
Biscuit	C02	included*
Gold	C12	212 \$
Chrome**	C14	212 \$
Brushed nickel	C16	212 \$

\*No charge with product of same color

\*\*No charge on special color

#### Keypad for AeroMassage and Super AeroMassage



#### Keypad for Comfort Air

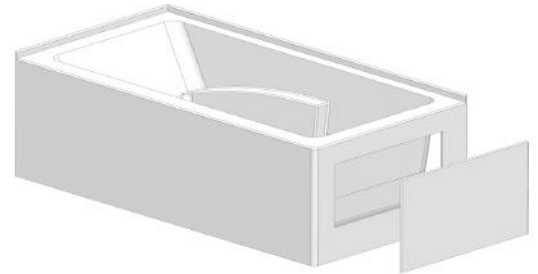


### Installation panel for SUITE et LOFT bathtubs

Code	Description	Price
TI-DR	Installation panel - DRAIN SIDE (shown here)	404 \$
TI-DO	Installation panel - BACK REST SIDE	404 \$

Opening dimension : 22" x 11 $\frac{3}{4}$ "

Installation panel dimension : 26" x 17 $\frac{1}{4}$ "



### Installation panel for URBANIA bathtubs

Code	Description	Price
TI-UR-DR	Installation panel for Urbania- DRAIN SIDE (shown here)	404 \$
TI-UR-DO	Installation panel for Urbania - BACK REST SIDE	404 \$

Opening dimension : 22" x 7 $\frac{3}{4}$ "

Installation panel dimension : 26" x 12 $\frac{3}{4}$ "

## Color chart

Oceania products color				Equivalents*	
Code	Color	Acrylic code	Lucite	Kohler	American Standard
<b>01</b>	<b>White</b>	WT6064	White	White	
<b>02</b>	<b>Biscuit</b>	BN6528	Biscuit	Biscuit	Linen
<b>48</b>	<b>Black</b>	BK6252	Black		

\*Equivalents correspond to Lucite, Kohler and American Standard matching Oceania products colors

### Special acrylic colors for alcove and deck-mounted bathtubs

Code	Description	Price
<b>INT02</b>	Interior BISCUIT	1 532 \$
<b>INT48</b>	Interior BLACK	1 532 \$

Non-returnable products

### Special acrylic colors and finishes for freestanding bathtubs EXTERIOR(skirt).

Code	Description	Price
<b>EXT01M</b>	Exterior matte WHITE	1 416 \$
<b>EXT48</b>	Exterior BLACK glossy acrylic	1 532 \$
<b>INT-EXT01M</b>	INTERIOR and EXTERIOR matte WHITE	1 725 \$
<b>EXTXXM*</b>	Exterior matte CUSTOM COLOR <sup>+</sup>	1 532 \$

Non-returnable products

\*This finish is covered by a 1-year warranty against all manufacturing defects.

<sup>+</sup>Benjamin Moore color code required (only Benjamin Moore accepted)

### Special Finish - Exclusively available on our Authentic Signature freestanding bathtubs.

Code	Description	Price
<b>SW101</b>	Black Carbon Fiber Finish	2 963 \$
<b>SW102</b>	Gray Carbon Fiber Finish	2 963 \$
<b>SW103</b>	Desert Gold Carbon Fiber Finish	2 963 \$
<b>SW104</b>	Concrete Finish	2 963 \$
<b>SW105</b>	Brushed Aluminum Finish	2 963 \$

Non-returnable products



## Return of goods policy

Return of goods for repair, warranty claims, credit or any other reason will not be accepted without a RETURN GOODS AUTHORIZATION (RGA) number. Such number can be obtained from the Oceania Baths Customer Care Team upon request, provided that all of the necessary information is available regarding the proposed return. Defective goods will be repaired, replaced or credited, at the discretion of Oceania Baths, at no additional charge.

A 10% inspection and repackaging fee applies on all returns, plus a minimum of 15% restocking charge applies to all non-defective products returned for credit within the first 60 days after purchase. Thereafter, a larger restocking charge will be applied based upon the date of original shipment. Products will not be accepted for return 120 days after their original ship date. Oceania Baths additionally reserves the right to impose a repair charge when products are returned damaged and cannot be directly resold.

RGA will be issued on acrylic white products only and without special finishes.

Below items are NOT RETURNABLE:

- Any bathtub equipped with any type of system, chromatherapy, aluminum tile flange and/or linear overflow.
- Any product that is any other color than acrylic white or with special finishes
- Any Optimale configuration
- Any discontinued product

All items to be returned must be sent back to Oceania Baths via pre-paid freight, with the RETURN GOODS AUTHORIZATION (RGA) form on the carton or with the packing slip. No freight collect shipments will be accepted as well as unauthorized returns.

It is the shipper's responsibility to provide adequate packaging to protect the product being returned. Oceania Baths reserves the right to accept or reject the returned product subject to an inspection upon receipt. Products that are returned damaged will be rejected and therefore will not qualify for return credit.

The following chart defines the inspection and minimum restocking charge that will be applied for goods accepted for return by Oceania Baths. It does not include any additional charge that may apply for damaged products or those needing rework.

Inspection and repackaging fees (Applies to all returns)	10%
<b>DAYS SINCE SHIPPING</b>	<b>RESTOCKING CHARGE</b>
0-60	15%
60-120	30%
121+	RETURNS NOT ACCEPTED

### Special note for shower doors

Shower doors packaging must be impeccable to justify a credit. A flat rate of 20% for inspection and restocking will be charged. If the door box is damaged, if parts are missing or damaged, no credit will be issued.

If you have any questions concerning this return policy please contact Oceania Baths Customer Care Team at 1-877-332-4224.