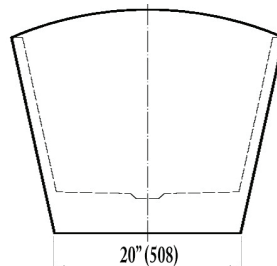
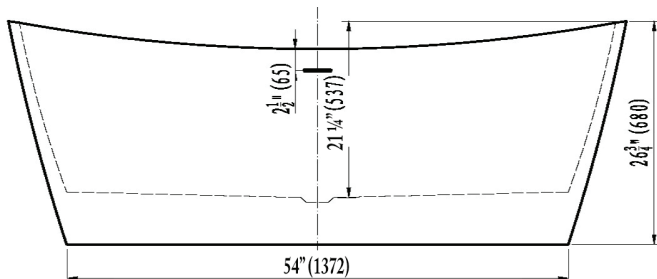
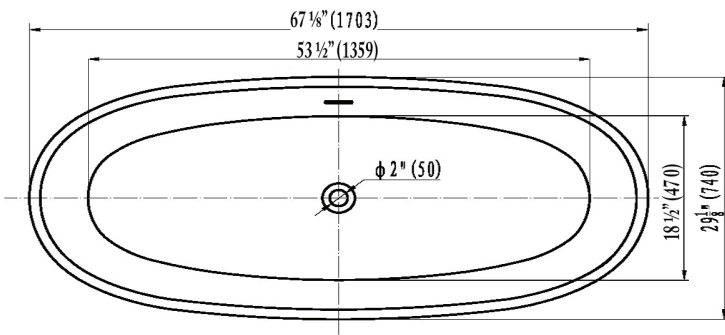




D3067F

67.2" x 29.2" x 26.75"



Features:

- Sleek, one-piece design
- Reinforced acrylic bath mounted on concealed adjustable legs for ease of leveling during installation
- Includes White center toe-tap drain assembly and built-in integral overflow
- Certified to CSA B45.5 / IAPMO Z124
- One-Year Limited Warranty
- List Price: \$1600.00
- Standard Multiplier Applies
- Project Quotes available upon request

Overflow Cap: 66 Gal.

Available Hydrotherapy: