

2023

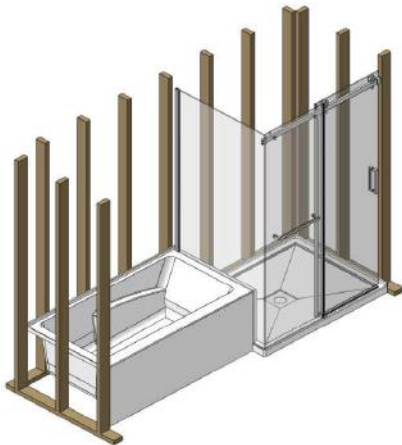
PRICE
LIST
USA



oceania.
water • attitude

Bath index

Bath name	Dimensions	Shape*	Seat(s)	Alcove	Drop-in	Undermount	Freestanding	Low profile	Tile flange	Front skirt	Air System	Water Depth		Page
												Regular overflow	Linear overflow	
Tahoe 55	55x31x23						✓		NA	NA	✓	NA	15 3/4" 40 cm	47
Chilko 57	57x34x23						✓		NA	NA	✓	NA	15 1/4" 39 cm	5
Minto 59	59x32x22						✓		NA	NA	✓	NA	16 1/8" 41 cm	22
Unity 28	60x28x22			✓					I	O	✓	15 1/2" 39 cm	16 1/2" 42 cm	49
City6030 Textured floor	60x30x18			✓					I	I	✓	13" 33 cm	14" 35 cm	7
Pure 603016	60x30x16			✓					I	I		11 1/2" 29 cm	12 1/2" 32 cm	26
Pure 6030	60x30x18			✓					I	I	✓	13" 33 cm	14" 35 cm	25
Unity 30	60x30x22			✓	✓	✓		✓	O	O	✓	15 1/2" 39 cm	16 1/2" 42 cm	50
Sublime 6030	60x30x22			✓					I	O	✓	15 3/4" 40 cm	16 3/4" 43 cm	35
Urbania 6031	60x31x17,5			✓**					I	I		11 7/8" 28 cm	12 7/8" 30 cm	51
Loft 6031	60x31x22			✓**					I	I	✓	14 1/2" 37 cm	15 1/2" 39 cm	14
Suite 6031	60x31x22			✓**					I	I	✓	14 1/2" 37 cm	15 1/2" 39 cm	39
City 6032 Textured floor	60x32x18			✓					I	I	✓	13" 33 cm	14" 35 cm	8
Pure 6032	60x32x18			✓					I	I	✓	13" 33 cm	14" 35 cm	27



Optimale Series

Please refer to the following address for available configurations and list prices.

<https://optimale.globalsecuresystem.com/us>

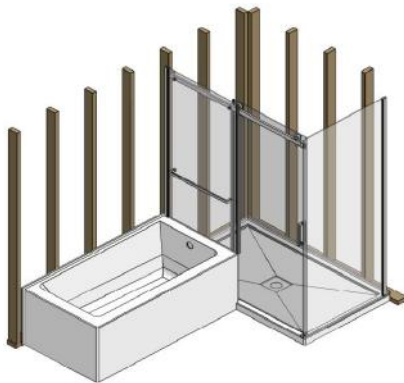
*Drawings are for reference only and may not be to scale.

**Other possible configurations.

I = Integrated O = Optional NA = Not available

Bath index

Bath name	Dimensions	Shape*	Seat(s)	Alcove	Drop-in	Undermount	Freestanding	Low profile	Tile flange	Front skirt	Air System	Water Depth		Page
												Regular	overflow	
Sublime 6032	60x32x22			✓	✓	✓		✓	O	O	✓	15 3/4" 40 cm	16 3/4" 43 cm	36
Unity 32	60x32x22			✓	✓	✓		✓	O	O	✓	15 1/2" 39 cm	16 1/2" 42 cm	50
Rose 60	60x35x21				✓	✓			NA	NA	✓	15" 38 cm	NA	29
Rupert 62	62x34x22						✓		NA	NA	✓	NA	16 3/4" 43 cm	30
Sikome	63x31x28						✓		NA	NA	✓	NA	15 3/4" 40 cm	32
Chilko 64	64x36x22						✓		NA	NA	✓	NA	15 1/2" 39 cm	6
Minto 65	65x34x22						✓		NA	NA		NA	16 1/8" 41 cm	22
Rose 65	65x35x21				✓	✓			NA	NA	✓	15" 38 cm	NA	29
Primrose 65	65x30x27						✓		NA	NA	✓	NA	16 3/8" 41 cm	24
Suite 6631	66x31x22			✓**					I	I	✓	14 1/2" 37 cm	15 1/2" 39 cm	43
Loft 6631	66x31x22			✓**					I	I	✓	14 1/2" 37 cm	15 1/2" 39 cm	18
Pure 66	66x32x18			✓					I	I	✓	13" 33 cm	14" 35 cm	28
Sublime 6632	66x32x21,5			✓					I	O	✓	15" 38 cm	16" 41 cm	37
City 66 Textured floor	66x34x20,5			✓					I	I	✓	14 1/2" 37 cm	15 1/2" 39 cm	9
Sublime 6634	66x34x21			✓	✓	✓			O	O	✓	15" 38 cm	16" 41 cm	38
Kelowna	66x34x22						✓		NA	NA	✓	NA	15" 38 cm	10



Optimale Series

Please refer to the following address for available configurations and list prices.

<https://optimale.globalsecuresystem.com/us>

*Drawings are for reference only and may not be to scale.

**Other possible configurations.

I = Integrated O = Optional NA = Not available

Bath index

Bath name	Dimensions	Shape*	Seat(s)	Alcove	Drop-in	Undermount	Freestanding	Low profile	Tile flange	Front skirt	Air System	Water Depth		Page
												Regular overflow	Linear overflow	
Sophia 66	66x36x23,5				✓	✓	✓		NA	NA	✓	17 1/8" 43,5 cm	18 1/8" 46 cm	33
Tahoe 66	66 x 36 x 25				✓	✓	✓		NA	NA	✓	NA	18" 46 cm	48
Muskoka	67x36x22						✓		NA	NA	✓	NA	15 1/4" 39 cm	23
Primrose 70	70x36x27						✓		NA	NA	✓	NA	16 3/8" 41 cm	24
Legende	71x41,5x24				✓		✓		NA	NA	✓	17 1/2" 44 cm	18 1/2" 47 cm	11
Liberty	72x32x22			✓	✓	✓		✓	O	O	✓	15 1/2" 39 cm	16 1/2" 42 cm	12
Liberty Relax	72x32x22			✓	✓	✓		✓	O	O	✓	15 1/2" 39 cm	16 1/2" 42 cm	13
Freedom	72x36x21			✓	✓	✓		✓	O	O	✓	15 1/2" 39 cm	16 1/2" 42 cm	10
Sophia 72	72x41,5x23				✓	✓			NA	NA	✓	17 1/4" 44 cm	18 1/4" 46 cm	34
Nature	74x42x23				✓	✓			O	O	✓	17 1/4" 44 cm	18 1/4" 46 cm	23

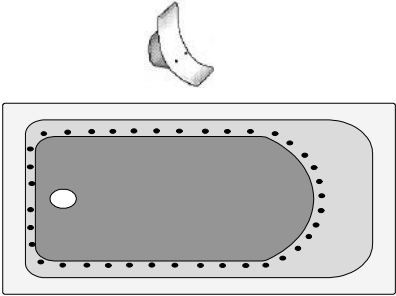
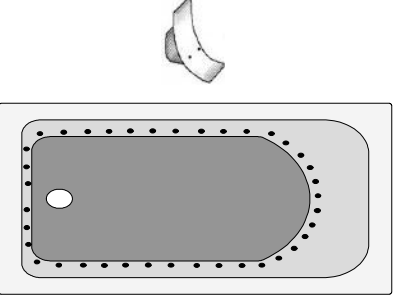
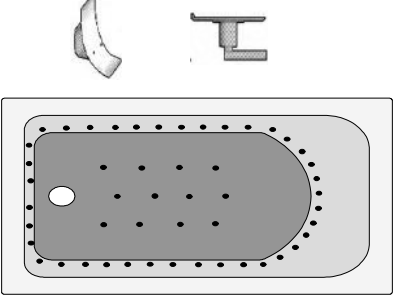
Table of contents for other sections	Page
Tile flanges for baths	55
Corner showers	56
Shower bases and doors	57
Shower bases without flanges and doors	62
Shower Base Screens	63
Bath Screens	64
HYDRIA bathtub doors	64
Shower doors	65
Doors dimensions	68
Drains and overflows	70
General options	71
Color chart	73
Return of goods policy	75

*Drawings are for reference only and may not be to scale.

**Other possible configurations.

I = Integrated O = Optional NA = Not available

Product features

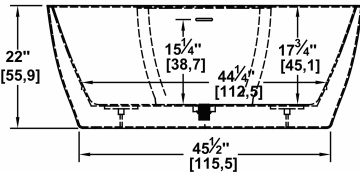
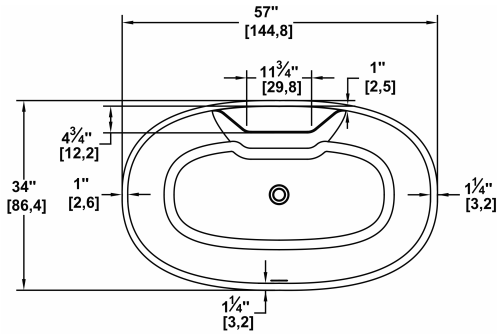
Comfort Air™	AeroMassage™	Super AeroMassage™
 <ul style="list-style-type: none"> • 32 to 60 Easy Clean™ flush hot-air jets 	 <ul style="list-style-type: none"> • 30 to 60 Easy Clean™ flush hot-air jets strategically placed along the lower perimeter of the tub. 	 <ul style="list-style-type: none"> • AeroMassage™ system, with an extra 12 Easy Clean™ flush hot-air jets positioned on the bottom of the tub.
Standard Features for Air Bath Systems		
Comfort Air™	AeroMassage™ and Super AeroMassage™	
<ul style="list-style-type: none"> ⇒ 1½ bhp blower ⇒ 300W integrated heating element ⇒ *Available in white only* ⇒ Automatic Purge/Dry Cycle ⇒ Wave and variable speed mode ⇒ Adjustable feet ⇒ Only option available: tile flange ⇒ Chromatherapy light not available ⇒ 5 year limited warranty 	<ul style="list-style-type: none"> ⇒ 1½ bhp SuperSilent™ Blower with a Tranquility Plus™ muffler (68 dB) ⇒ Electronic water sensors inside channels ⇒ 600W integrated ceramic heating element ⇒ Wave, pulsating and variable speed modes ⇒ Automatic water sensing Purge/Dry Cycle ⇒ Keypad is color coordinated to our standard bath color ⇒ Adjustable feet ⇒ 20 year limited warranty on structure, surface and blower ⇒ 5 year limited warranty on electronic controls 	

Chilko 57 deck mount faucets

One-piece freestanding bath

57" x 34" x 22" [144,8 cm x 86,4 cm x 55,9 cm]
46 IMP Gal. / 60.00 US Gal. / 209.10 Liters

Authentik Signature Series



Complete Technical specifications at www.oceania-attitude.com will prevail at all times

Retail price

Product Code	Model	Price
CH57DMF	Soaker	4,281 \$
Not available	Comfort air™	N/A
CH57DMFAM	AeroMassage™	8,060 \$
Not available	Super AeroMassage™	N/A
Not available	Linear cutout	N/A

Standard color : White(01)

Returns accepted on white product only

Options**

	Code	Add
Glossy black acrylic exterior	EXT48	1532 \$
Exterior MATTE WHITE acrylic	EXT01M	1415 \$
Exterior MATTE CUSTOM COLOR	EXTXXM	2371 \$
Special Exterior Finish see Page 73	SWXX	2963 \$
Drain cover - Chrome	INF114	0 \$
Drain cover - White	INF101	184 \$
Drain cover - Matte Black	INF148M	184 \$
Chromatherapy lights	MLC	1145 \$
Floor drain for freestanding baths	FBQD	396 \$

WARNING: The interior is available in white only.

Default exterior finish : white acrylic. The overflow is factory installed, the chrome drain is included but not installed. When ordered with AeroMassage, blower must be remote mounted. If system, delivered with keypad not installed and remote control is included. The Chromatherapy option is only available with the AeroMassage option.

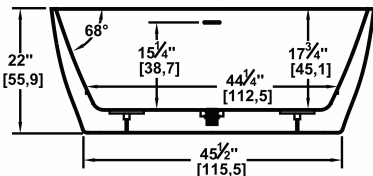
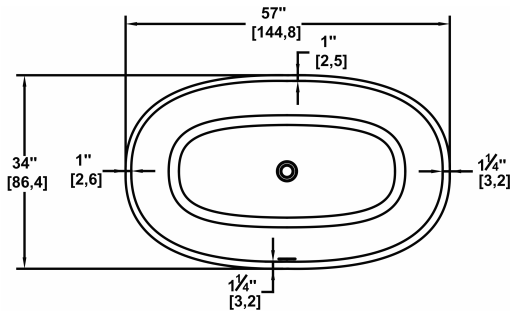
****See the options chart on pages 70 to 73 of this document for all available colors and finishes**

Chilko 57 Freestanding

One-piece freestanding bath

57" x 34" x 22" [144,8 cm x 86,4 cm x 55,9 cm]
48 IMP Gal. / 62.60 US Gal. / 218.20 Liters

Authentik Signature Series



Complete Technical specifications at www.oceania-attitude.com will prevail at all times

Retail price

Product Code	Model	Price
CH57	Soaker	4,281 \$
Not available	Comfort air™	N/A
CH57AM	AeroMassage™	8,060 \$
Not available	Super AeroMassage™	N/A
Not available	Linear cutout	N/A

Standard color : White(01)

Returns accepted on white product only

Options**

	Code	Add
Glossy black acrylic exterior	EXT48	1532 \$
Exterior MATTE WHITE acrylic	EXT01M	1415 \$
Exterior MATTE CUSTOM COLOR	EXTXXM	2371 \$
Special Exterior Finish see Page 73	SWXX	2963 \$
Drain cover - Chrome	INF114	0 \$
Drain cover - White	INF101	184 \$
Drain cover - Matte Black	INF148M	184 \$
Chromatherapy lights	MLC	1145 \$
Floor drain for freestanding baths	FBQD	396 \$

WARNING: The interior is available in white only.

Default exterior finish : white acrylic. The overflow is factory installed, the chrome drain is included but not installed. When ordered with AeroMassage, blower must be remote mounted. If system, delivered with keypad not installed and remote control is included. The Chromatherapy option is only available with the AeroMassage option.

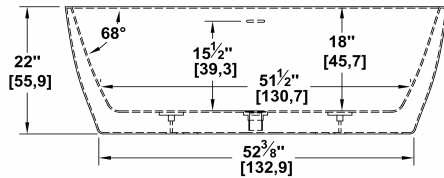
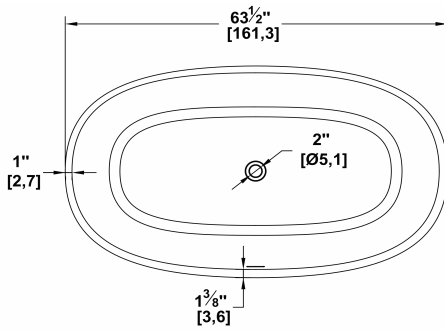
****See the options chart on pages 70 to 73 of this document for all available colors and finishes**

Chilko 64 Freestanding

One-piece freestanding bath

64" x 36.5" x 22" [162,6 cm x 92,7 cm x 55,9 cm]
55 IMP Gal. / 71.70 US Gal. / 250.00 Liters

Authentik Signature Series



Complete Technical specifications at www.oceania-attitude.com will prevail at all times

Product Code	Model	Price
CH64	Soaker	4,368 \$
Not available	Comfort air™	N/A
CH64AM	AeroMassage™	8,137 \$
Not available	Super AeroMassage™	N/A
Not available	Linear cutout	N/A

Standard color : White(01)

Returns accepted on white product only

Options**	Code	Add
Glossy black acrylic exterior	EXT48	1532 \$
Exterior MATTE WHITE acrylic	EXT01M	1415 \$
Exterior MATTE CUSTOM COLOR	EXTXXM	2371 \$
Special Exterior Finish see Page 73	SWXX	2963 \$
Drain cover - Chrome	INF114	0 \$
Drain cover - White	INF101	184 \$
Drain cover - Matte Black	INF148M	184 \$
Chromatherapy lights	MLC	1145 \$
Floor drain for freestanding baths	FBQD	396 \$

WARNING: The interior is available in white only.

Default exterior finish : white acrylic. The overflow is factory installed, the chrome drain is included but not installed. When ordered with AeroMassage, blower must be remote mounted. If system, delivered with keypad not installed and remote control is included. The Chromatherapy option is only available with the AeroMassage option.

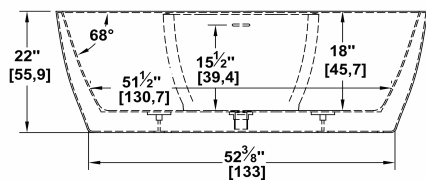
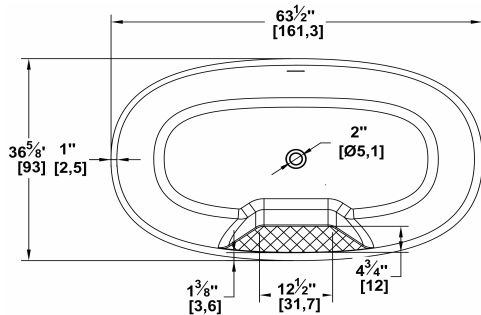
****See the options chart on pages 70 to 73 of this document for all available colors and finishes**

Chilko 64 deck mount faucets

One-piece freestanding bath

64" x 36.5" x 22" [162,6 cm x 92,7 cm x 55,9 cm]
52 IMP Gal. / 67.80 US Gal. / 236.40 Liters

Authentik Signature Series



Complete Technical specifications at www.oceania-attitude.com will prevail at all times

Product Code	Model	Price
CH64DMF	Soaker	4,368 \$
Not available	Comfort air™	N/A
CH64DMFAM	AeroMassage™	8,137 \$
Not available	Super AeroMassage™	N/A
Not available	Linear cutout	N/A

Standard color : White(01)

Returns accepted on white product only

Options**	Code	Add
Glossy black acrylic exterior	EXT48	1532 \$
Exterior MATTE WHITE acrylic	EXT01M	1415 \$
Exterior MATTE CUSTOM COLOR	EXTXXM	2371 \$
Special Exterior Finish see Page 73	SWXX	2963 \$
Drain cover - Chrome	INF114	0 \$
Drain cover - White	INF101	184 \$
Drain cover - Matte Black	INF148M	184 \$
Chromatherapy lights	MLC	1145 \$
Floor drain for freestanding baths	FBQD	396 \$

WARNING: The interior is available in white only.

Default exterior finish : white acrylic. The overflow is factory installed, the chrome drain is included but not installed. When ordered with AeroMassage, blower must be remote mounted. If system, delivered with keypad not installed and remote control is included. The Chromatherapy option is only available with the AeroMassage option.

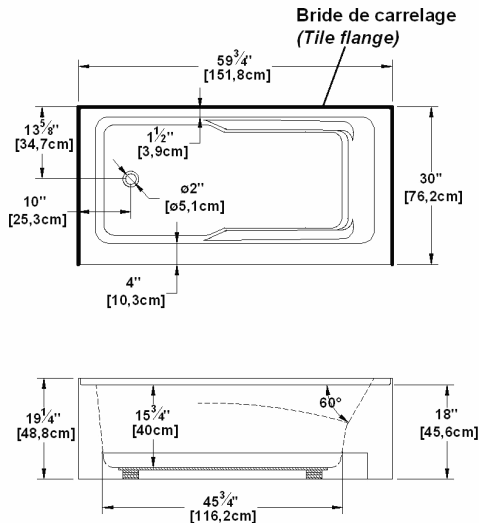
****See the options chart on pages 70 to 73 of this document for all available colors and finishes**

City 6030 (left hand drain)

Textured floor, integrated front skirt

60" x 30" x 18" [152,4 cm x 76,2 cm x 45,7 cm]
33 IMP Gal. / 43.00 US Gal. / 150.00 Liters

Alcove installation, flanges on 3 sides



Complete Technical specifications at www.oceania-attitude.com will prevail at all times

Retail price

Product Code	Model	Price
CI6030L	Soaker	1,762 \$
CI6030LCA	Comfort air™	4,757 \$
CI6030LAM	AeroMassage™	5,915 \$
Not available	Super AeroMassage™	N/A
CI6030LLI	Linear cutout	1,762 \$

Standard color : White(01)

Returns accepted on white product only

Options**

	Code	Add
White acrylic grab bar (each)	G01	216 \$
Acrylic Biscuit Color	INT02	1532 \$
Acrylic Black Color	INT48	1532 \$
No front skirt, cut at 2" high	JC2	0 \$
Chromatherapy lights	MLC	1145 \$
White floating remote control	RC01	593 \$
Chrome Linear overflow and drain	BDW-114	359 \$
Drain & Overflow PVC / Chromed brass	WOCO14	371 \$

Integrated acrylic tile flanges. If system, delivered with keypad not installed. Only one grab bar can be factory installed.

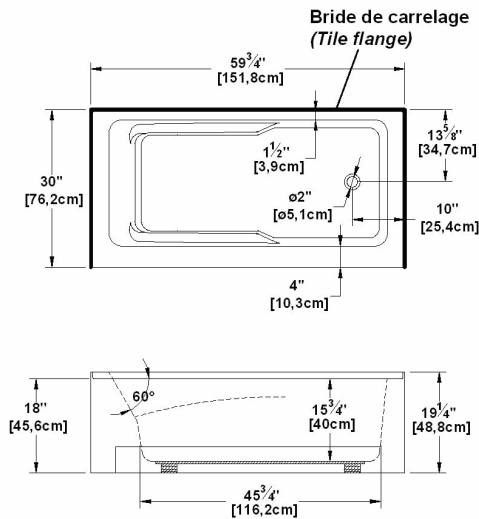
**See the options chart on pages 70 to 73 of this document for all available colors and finishes

City 6030 (right hand drain)

Textured floor, integrated front skirt

60" x 30" x 18" [152,4 cm x 76,2 cm x 45,7 cm]
33 IMP Gal. / 43.00 US Gal. / 150.00 Liters

Alcove installation, flanges on 3 sides



Complete Technical specifications at www.oceania-attitude.com will prevail at all times

Retail price

Product Code	Model	Price
CI6030R	Soaker	1,762 \$
CI6030RCA	Comfort air™	4,757 \$
CI6030RAM	AeroMassage™	5,915 \$
Not available	Super AeroMassage™	N/A
CI6030RLI	Linear cutout	1,762 \$

Standard color : White(01)

Returns accepted on white product only

Options**

	Code	Add
White acrylic grab bar (each)	G01	216 \$
Acrylic Biscuit Color	INT02	1532 \$
Acrylic Black Color	INT48	1532 \$
No front skirt, cut at 2" high	JC2	0 \$
Chromatherapy lights	MLC	1145 \$
White floating remote control	RC01	593 \$
Chrome Linear overflow and drain	BDW-114	359 \$
Drain & Overflow PVC / Chromed brass	WOCO14	371 \$

Integrated acrylic tile flanges. If system, delivered with keypad not installed. Only one grab bar can be factory installed.

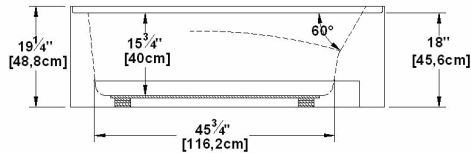
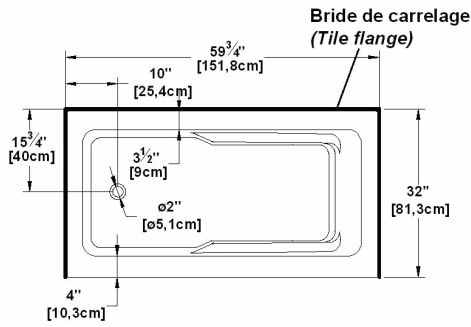
**See the options chart on pages 70 to 73 of this document for all available colors and finishes

City 6032 (left hand drain)

Textured floor, integrated front skirt

60" x 32" x 18" [152,4 cm x 76,2 cm x 45,7 cm]
33 IMP Gal. / 43.00 US Gal. / 150.00 Liters

Alcove installation, flanges on 3 sides



Complete Technical specifications at www.oceania-attitude.com will prevail at all times

Retail price

Product Code	Model	Price
CI60L	Soaker	1,762 \$
CI60LCA	Comfort air™	4,757 \$
CI60LAM	AeroMassage™	5,915 \$
Not available	Super AeroMassage™	N/A
CI60LLI	Linear cutout	1,762 \$

Standard color : White(01)

Returns accepted on white product only

Options**

	Code	Add
White acrylic grab bar (each)	G01	216 \$
Acrylic Biscuit Color	INT02	1532 \$
Acrylic Black Color	INT48	1532 \$
No front skirt, cut at 2" high	JC2	0 \$
Chromatherapy lights	MLC	1145 \$
White floating remote control	RC01	593 \$
Chrome Linear overflow and drain	BDW-114	359 \$
Drain & Overflow PVC / Chromed brass	WOCO14	371 \$

Integrated acrylic tiles flanges. If system, delivered with keypad not installed. Only one grab bar can be factory installed.

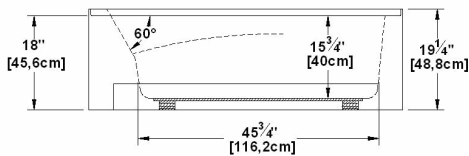
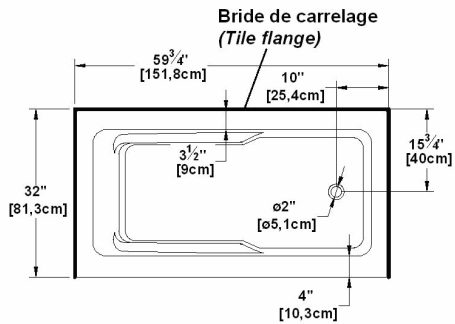
****See the options chart on pages 70 to 73 of this document for all available colors and finishes**

City 6032 (right hand drain)

Textured floor, integrated front skirt

60" x 32" x 18" [152,4 cm x 76,2 cm x 45,7 cm]
33 IMP Gal. / 43.00 US Gal. / 150.00 Liters

Alcove installation, flanges on 3 sides



Complete Technical specifications at www.oceania-attitude.com will prevail at all times

Retail price

Product Code	Model	Price
CI60R	Soaker	1,762 \$
CI60RCA	Comfort air™	4,757 \$
CI60RAM	AeroMassage™	5,915 \$
Not available	Super AeroMassage™	N/A
CI60RLI	Linear cutout	1,762 \$

Standard color : White(01)

Returns accepted on white product only

Options**

	Code	Add
White acrylic grab bar (each)	G01	216 \$
Acrylic Biscuit Color	INT02	1532 \$
Acrylic Black Color	INT48	1532 \$
No front skirt, cut at 2" high	JC2	0 \$
Chromatherapy lights	MLC	1145 \$
White floating remote control	RC01	593 \$
Chrome Linear overflow and drain	BDW-114	359 \$
Drain & Overflow PVC / Chromed brass	WOCO14	371 \$

Integrated acrylic tiles flanges. If system, delivered with keypad not installed. Only one grab bar can be factory installed.

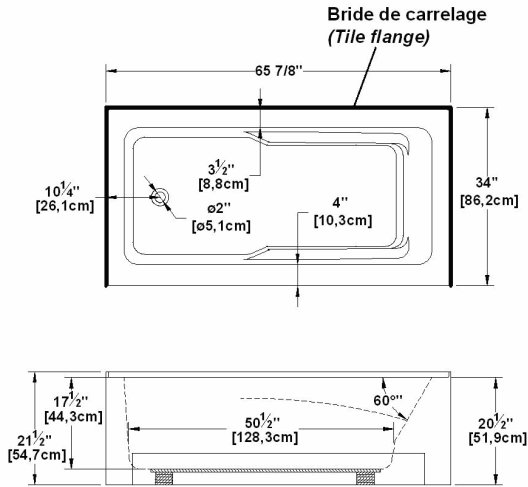
****See the options chart on pages 70 to 73 of this document for all available colors and finishes**

City 66 (left hand drain)

Alcove installation, flanges on 3 sides

Textured floor, integrated front skirt

66" x 34" x 20.5" [167,6 cm x 86,4 cm x 52,1 cm]
57 IMP Gal. / 74.30 US Gal. / 259.10 Liters



Complete Technical specifications at www.oceania-attitude.com will prevail at all times

Retail price

Product Code	Model	Price
CI66L	Soaker	2,312 \$
CI66LCA	Comfort air™	5,420 \$
CI66LAM	AeroMassage™	6,636 \$
CI66LSA	Super AeroMassage™	7,674 \$
CI66LLI	Linear cutout	2,312 \$

Standard color : White(01)

Returns accepted on white product only

Options**

	Code	Add
White acrylic grab bar (each)	G01	216 \$
Acrylic Biscuit Color	INT02	1532 \$
Acrylic Black Color	INT48	1532 \$
No front skirt, cut at 2" high	JC2	0 \$
Chromatherapy lights	MLC	1145 \$
White floating remote control	RC01	593 \$
Chrome Linear overflow and drain	BDW-114	359 \$
Drain & Overflow PVC / Chromed brass	WOCO14	371 \$

Integrated acrylic tiles flanges. If system, delivered with keypad not installed. Only one grab bar can be factory installed.

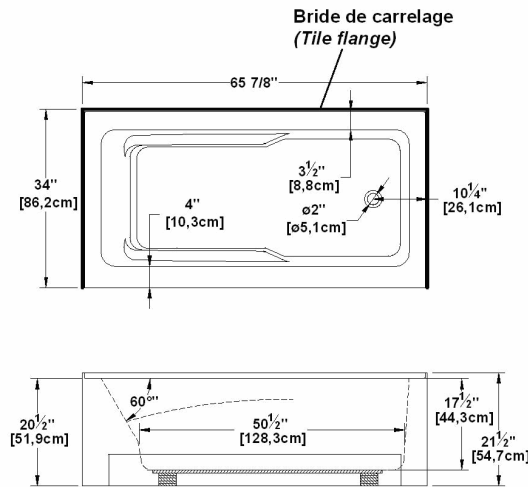
****See the options chart on pages 70 to 73 of this document for all available colors and finishes**

City 66 (right hand drain)

Alcove installation, flanges on 3 sides

Textured floor, integrated front skirt

66" x 34" x 20.5" [167,6 cm x 86,4 cm x 52,1 cm]
57 IMP Gal. / 74.30 US Gal. / 259.10 Liters



Complete Technical specifications at www.oceania-attitude.com will prevail at all times

Retail price

Product Code	Model	Price
CI66R	Soaker	2,312 \$
CI66RCA	Comfort air™	5,420 \$
CI66RAM	AeroMassage™	6,636 \$
CI66RSA	Super AeroMassage™	7,674 \$
CI66RLI	Linear cutout	2,312 \$

Standard color : White(01)

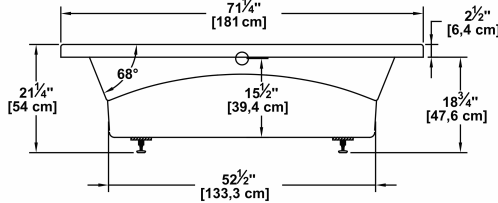
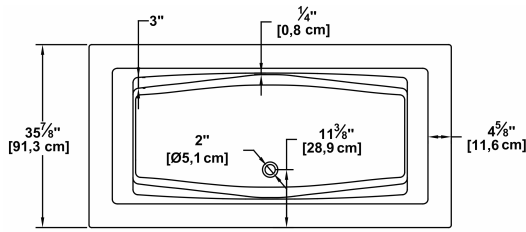
Returns accepted on white product only

Options**

	Code	Add
White acrylic grab bar (each)	G01	216 \$
Acrylic Biscuit Color	INT02	1532 \$
Acrylic Black Color	INT48	1532 \$
No front skirt, cut at 2" high	JC2	0 \$
Chromatherapy lights	MLC	1145 \$
White floating remote control	RC01	593 \$
Chrome Linear overflow and drain	BDW-114	359 \$
Drain & Overflow PVC / Chromed brass	WOCO14	371 \$

Integrated acrylic tiles flanges. If system, delivered with keypad not installed. Only one grab bar can be factory installed.

****See the options chart on pages 70 to 73 of this document for all available colors and finishes**



Complete Technical specifications at www.oceania-attitude.com will prevail at all times

Retail price

Product Code	Model	Price
FR72AR	Soaker	3,152 \$
FR72ARCA	Comfort air™	5,307 \$
FR72ARAM	AeroMassage™	6,118 \$
FR72ARSA	Super AeroMassage™	8,105 \$
FR72ARLI	Linear cutout	3,152 \$

Standard color : White(01)

Returns accepted on white product only

Options**

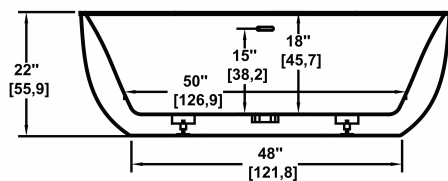
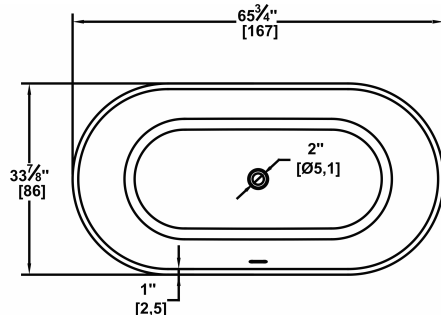
	Code	Add
White acrylic grab bar (each)	G01	216 \$
Acrylic Biscuit Color	INT02	1532 \$
Acrylic Black Color	INT48	1532 \$
Removable White Skirt Panel for 72" baths	JA72	1287 \$
Low-Profile bath lip	LP	329 \$
Chromatherapy lights	MLC	1145 \$
White floating remote control	RC01	593 \$
Tile flange for baths, see page 55	TF	228 \$
Chrome Linear overflow and drain	BDW-114	359 \$
Drain & Overflow PVC / Chromed brass	WOCO14	371 \$

Keypad supplied but not installed when ordered with tiles flanges or remote control.

****See the options chart on pages 70 to 73 of this document for all available colors and finishes**

Kelowna 66 Freestanding

Authentik Signature Series



Complete Technical specifications at www.oceania-attitude.com will prevail at all times

One-piece freestanding bath

66" x 34" x 22" [167,0 cm x 86,4 cm x 55,9 cm]
0 IMP Gal. / 0.00 US Gal. / 0.00 Liters

Retail price

Product Code	Model	Price
KE66	Soaker	4,704 \$
Not available	Comfort air™	N/A
KE66AM	AeroMassage™	8,599 \$
Not available	Super AeroMassage™	N/A
Not available	Linear cutout	N/A

Standard color : White(01)

Returns accepted on white product only

Options**

	Code	Add
Glossy black acrylic exterior	EXT48	1532 \$
Exterior MATTE WHITE acrylic	EXT01M	1415 \$
Exterior MATTE CUSTOM COLOR	EXTXXM	2371 \$
Drain cover - Chrome	INF114	0 \$
Drain cover - White	INF101	184 \$
Drain cover - Matte Black	INF148M	184 \$
Chromatherapy lights	MLC	1145 \$
Floor drain for freestanding baths	FBQD	396 \$

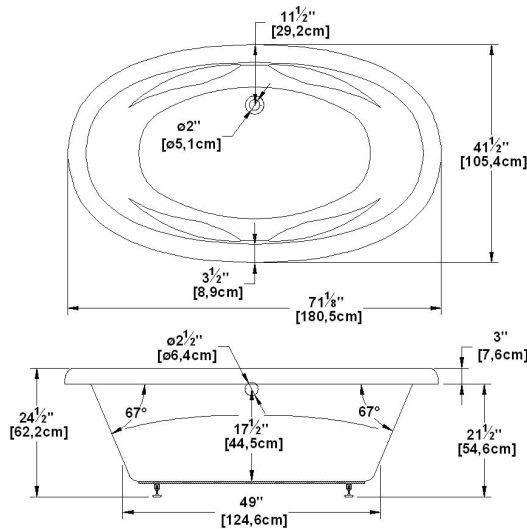
WARNING: The interior is available in white only. SW option not available on this model.

Default exterior finish : white acrylic. The overflow is factory installed, the drain is included but not installed. When ordered with AeroMassage, blower must be remote mounted. If system, delivered with keypad not installed and remote control is included. The Chromatherapy option is only available with the AeroMassage option.

****See the options chart on pages 70 to 73 of this document for all available colors and finishes**

Legende

71" x 41.5" x 24" [180,3 cm x 105,4 cm x 61,0 cm]
66 IMP Gal. / 86.10 US Gal. / 300.00 Liters



Complete Technical specifications at www.oceania-attitude.com will prevail at all times

Retail price

Product Code	Model	Price
LE42	Soaker	3,152 \$
Not available	Comfort air™	N/A
LE42AM	AeroMassage™	5,962 \$
LE42SA	Super AeroMassage™	7,460 \$
LE42LI	Linear cutout	3,152 \$

Standard color : White(01)

Returns accepted on white product only

Options**

	Code	Add
White acrylic grab bar (each)	G01	216 \$
Acrylic Biscuit Color	INT02	1532 \$
Acrylic Black Color	INT48	1532 \$
Chromatherapy lights	MLC	1145 \$
Chrome Linear overflow and drain	BDW-114	359 \$
Drain & Overflow PVC / Chromed brass	WOCO14	371 \$

WARNING: Faucets must be installed on the wall or floor (not on bath).

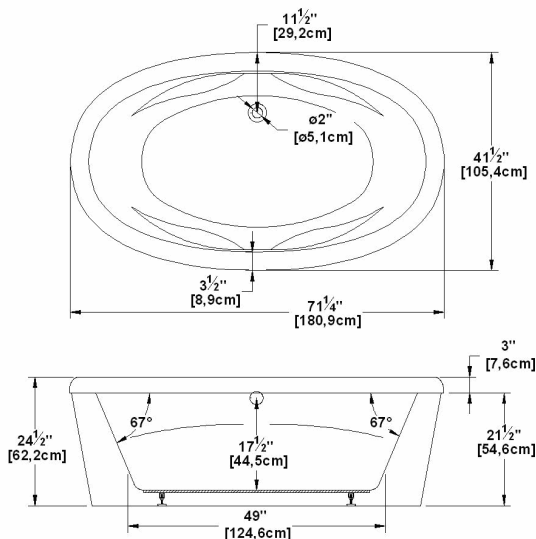
*If equipped with an air bath system, delivered with keypad not installed and remote control is included.
The Chromatherapy option is only available with the AeroMassage and Super AeroMassage options.*

****See the options chart on pages 70 to 73 of this document for all available colors and finishes**

Legende Freestanding

without pedestal

71" x 41.5" x 24" [180,3 cm x 105,4 cm x 61,0 cm]
66 IMP Gal. / 86.10 US Gal. / 300.00 Liters



Complete Technical specifications at www.oceania-attitude.com will prevail at all times

Retail price

Product Code	Model	Price
LE42FS	Soaker	5,775 \$
Not available	Comfort air™	N/A
LE42FSAM	AeroMassage™	7,913 \$
LE42FSSA	Super AeroMassage™	9,153 \$
LE42FSLI	Linear cutout	5,775 \$

Standard color : White(01)

Returns accepted on white product only

Options**

	Code	Add
White acrylic grab bar (each)	G01	216 \$
Glossy black acrylic exterior	EXT48	1532 \$
Chromatherapy lights	MLC	1145 \$
White floating remote control	RC01	593 \$
Floor drain for freestanding baths	FBQD	396 \$
Chrome Linear overflow and drain	BDW-114	359 \$
Flexible Drain & Overflow / Chromed brass	WOCOSBS14	590 \$

WARNING: Faucets must be installed on the wall or floor (not on bath). The interior is available in white only.

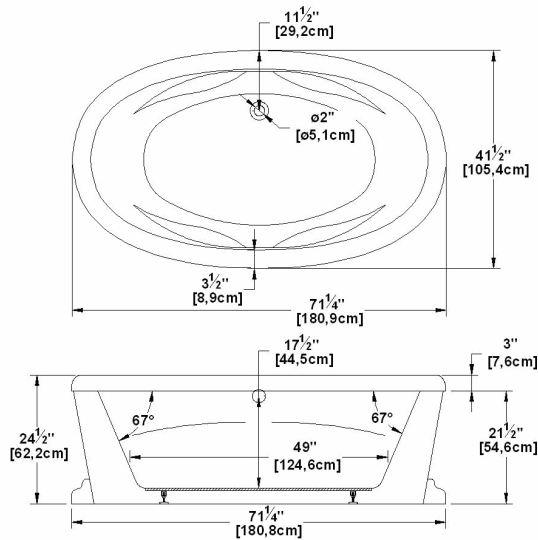
*Default exterior finish : white acrylic. Over-flow must be installed with flexible piping. If equipped with an air bath system, delivered with keypad not installed and remote control is included.
The Chromatherapy option is only available with the AeroMassage and Super AeroMassage options.*

****See the options chart on pages 70 to 73 of this document for all available colors and finishes**

Legende Freestanding

71" x 41.5" x 24" [180,3 cm x 105,4 cm x 61,0 cm]
66 IMP Gal. / 86.10 US Gal. / 300.00 Liters

with pedestal



Complete Technical specifications at www.oceania-attitude.com will prevail at all times

Retail price

Product Code	Model	Price
LE42PD	Soaker	6,432 \$
Not available	Comfort air™	N/A
LE42PDAM	AeroMassage™	8,507 \$
LE42PDSA	Super AeroMassage™	9,751 \$
LE42PDLI	Linear cutout	6,432 \$

Standard color : White(01)

Returns accepted on white product only

Options**

	Code	Add
White acrylic grab bar (each)	G01	216 \$
Chromatherapy lights	MLC	1145 \$
White floating remote control	RC01	593 \$
Floor drain for freestanding baths	FBQD	396 \$
Chrome Linear overflow and drain	BDW-114	359 \$
Flexible Drain & Overflow / Chromed brass	WOCOSBS14	590 \$

WARNING: Faucets must be installed on the wall or floor (not on bath). Available in white only.

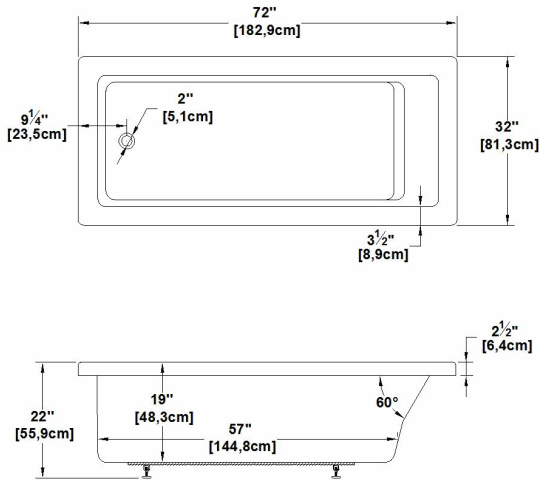
Over-flow must be installed with flexible piping. If equipped with an air bath system, delivered with keypad not installed and remote control is included.

The Chromatherapy option is only available with the AeroMassage and Super AeroMassage options.

****See the options chart on pages 70 to 73 of this document for all available colors and finishes**

Liberty

72" x 32" x 22" [182,9 cm x 81,3 cm x 55,9 cm]
58 IMP Gal. / 75.70 US Gal. / 263.70 Liters



Complete Technical specifications at www.oceania-attitude.com will prevail at all times

Retail price

Product Code	Model	Price
LI72	Soaker	3,208 \$
LI72CA	Comfort air™	5,239 \$
LI72AM	AeroMassage™	6,233 \$
LI72SA	Super AeroMassage™	7,224 \$
LI72LI	Linear cutout	3,208 \$

Standard color : White(01)

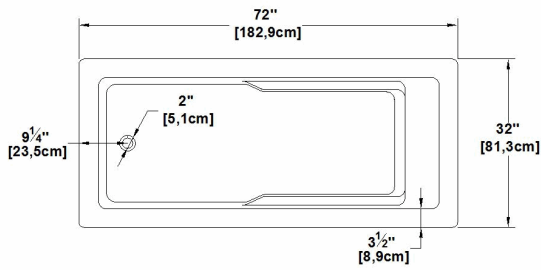
Returns accepted on white product only

Options**

	Code	Add
White acrylic grab bar (each)	G01	216 \$
Acrylic Biscuit Color	INT02	1532 \$
Acrylic Black Color	INT48	1532 \$
Removable White Skirt Panel for 72" baths	JA72	1287 \$
Low-Profile bath lip	LP	329 \$
Chromatherapy lights	MLC	1145 \$
White floating remote control	RC01	593 \$
Tile flange for baths, see page 55	TF	228 \$
Chrome Linear overflow and drain	BDW-114	359 \$
Drain & Overflow PVC / Chromed brass	WOCO14	371 \$

Keypad supplied but not installed when ordered with tile flanges or remote control.

****See the options chart on pages 70 to 73 of this document for all available colors and finishes**

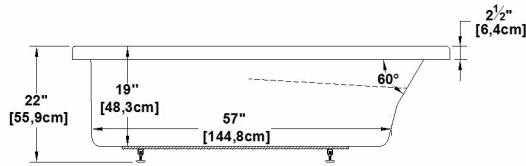


Retail price

Product Code	Model	Price
LC72	Soaker	3,208 \$
LC72CA	Comfort air™	5,239 \$
LC72AM	AeroMassage™	6,233 \$
LC72SA	Super AeroMassage™	7,224 \$
LC72LI	Linear cutout	3,208 \$

Standard color : White(01)

Returns accepted on white product only



Complete Technical specifications at www.oceania-attitude.com will prevail at all times

Options**

	Code	Add
White acrylic grab bar (each)	G01	216 \$
Acrylic Biscuit Color	INT02	1532 \$
Acrylic Black Color	INT48	1532 \$
Removable White Skirt Panel for 72" baths	JA72	1287 \$
Low-Profile bath lip	LP	329 \$
Chromatherapy lights	MLC	1145 \$
White floating remote control	RC01	593 \$
Tile flange for baths, see page 55	TF	228 \$
Chrome Linear overflow and drain	BDW-114	359 \$
Drain & Overflow PVC / Chromed brass	WOCO14	371 \$

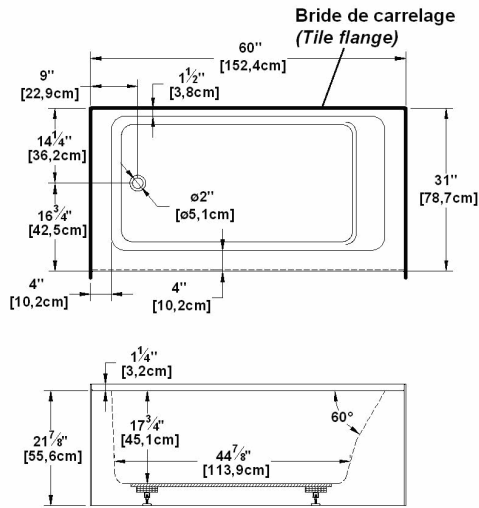
Keypad supplied but not installed when ordered with tile flanges or remote control.

**See the options chart on pages 70 to 73 of this document for all available colors and finishes

oceania
water • attitude

Loft 6031 L-SF

Left hand drain, 1 Skirt (Front)



Complete Technical specifications at www.oceania-attitude.com will prevail at all times

1 integrated skirt

60" x 31" x 22" [152,4 cm x 78,7 cm x 55,9 cm]
42 IMP Gal. / 54.80 US Gal. / 190.90 Liters

Retail price

Product Code	Model	Price
LO6031LSF	Soaker	2,562 \$
LO6031LSFCA	Comfort air™	6,305 \$
LO6031LSFAM	AeroMassage™	6,943 \$
LO6031LSFSA	Super AeroMassage™	8,797 \$
LO6031LSFLI	Linear cutout	2,562 \$

Standard color : White(01)

Returns accepted on white product only

Options**

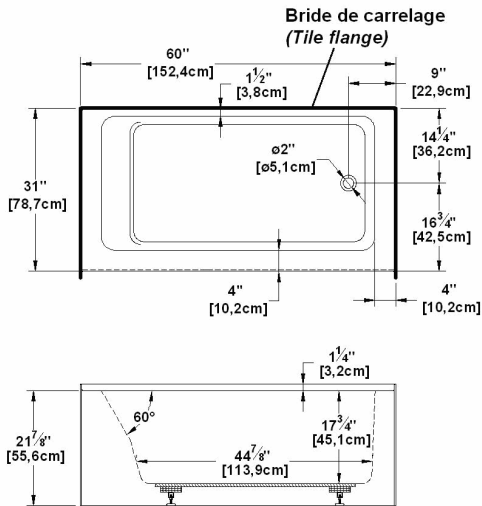
	Code	Add
White acrylic grab bar (each)	G01	216 \$
Chromatherapy lights	MLC	1145 \$
White floating remote control	RC01	593 \$
Chrome Linear overflow and drain	BDW-114	359 \$
Drain & Overflow PVC / Chromed brass	WOCO14	371 \$

Integrated acrylic tile flanges. If system, delivered with keypad not installed. Available in white only. Only one grab bar can be factory installed.

****See the options chart on pages 70 to 73 of this document for all available colors and finishes**

Loft 6031 R-SF

Right hand drain, 1 Skirt (Front)



Complete Technical specifications at www.oceania-attitude.com will prevail at all times

1 integrated skirt

60" x 31" x 22" [152,4 cm x 78,7 cm x 55,9 cm]
42 IMP Gal. / 54.80 US Gal. / 190.90 Liters

Retail price

Product Code	Model	Price
LO6031RSF	Soaker	2,562 \$
LO6031RSFCA	Comfort air™	6,305 \$
LO6031RSFAM	AeroMassage™	6,943 \$
LO6031RSFSA	Super AeroMassage™	8,797 \$
LO6031RSFLI	Linear cutout	2,562 \$

Standard color : White(01)

Returns accepted on white product only

Options**

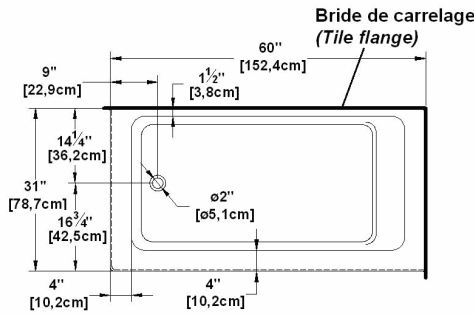
	Code	Add
White acrylic grab bar (each)	G01	216 \$
Chromatherapy lights	MLC	1145 \$
White floating remote control	RC01	593 \$
Chrome Linear overflow and drain	BDW-114	359 \$
Drain & Overflow PVC / Chromed brass	WOCO14	371 \$

Integrated acrylic tile flanges. If system, delivered with keypad not installed. Available in white only. Only one grab bar can be factory installed.

****See the options chart on pages 70 to 73 of this document for all available colors and finishes**

Loft 6031LSFL (left drain)

Authentik Signature Series



Complete Technical specifications at www.oceania-attitude.com will prevail at all times

2 Skirts (Front and Left)

60" x 31" x 22" [152,4 cm x 78,7 cm x 55,9 cm]
42 IMP Gal. / 54.80 US Gal. / 190.90 Liters

Retail price

Product Code	Model	Price
LO6031LSFL	Soaker	3,441 \$
LO6031LSFLCA	Comfort air™	6,999 \$
LO6031LSFLAM	AeroMassage™	7,558 \$
LO6031LSFLSA	Super AeroMassage™	9,410 \$
LO6031LSFLLI	Linear cutout	3,441 \$

Standard color : White(01)

Returns accepted on white product only

Options**

	Code	Add
Exterior MATTE CUSTOM COLOR	EXTXXM	2371 \$
Special Exterior Finish see Page 73	SWXX	2963 \$
White acrylic grab bar (each)	G01	216 \$
Chromatherapy lights	MLC	1145 \$
White floating remote control	RC01	593 \$
Installation panel DRAIN side	TI-DR	404 \$
Floor drain for freestanding baths	FBQD	396 \$
Chrome Linear overflow and drain	BDW-114	359 \$
Flexible Drain & Overflow / Chromed brass	WOCOSBS14	590 \$

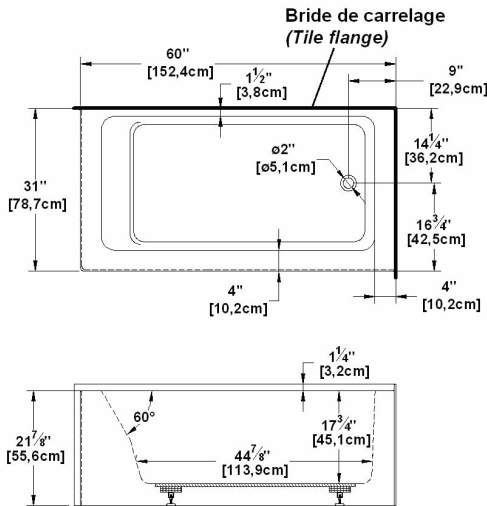
WARNING: The installation panel TI-DR is mandatory with the BDW series of drains.

Integrated acrylic tile flanges. If system, delivered with keypad not installed and blower must be remote mounted. Available in white only. Only one grab bar can be factory installed. Special Finish not available when ordered with installation panel.

**See the options chart on pages 70 to 73 of this document for all available colors and finishes

Loft 6031RSFL (right drain)

Authentik Signature Series



Complete Technical specifications at www.oceania-attitude.com will prevail at all times

2 Skirts (Front and Left)

60" x 31" x 22" [152,4 cm x 78,7 cm x 55,9 cm]
42 IMP Gal. / 54.80 US Gal. / 190.90 Liters

Retail price

Product Code	Model	Price
LO6031RSFL	Soaker	3,441 \$
LO6031RSFLCA	Comfort air™	6,999 \$
LO6031RSFLAM	AeroMassage™	7,558 \$
LO6031RSFLSA	Super AeroMassage™	9,410 \$
LO6031RSFLLI	Linear cutout	3,441 \$

Standard color : White(01)

Returns accepted on white product only

Options**

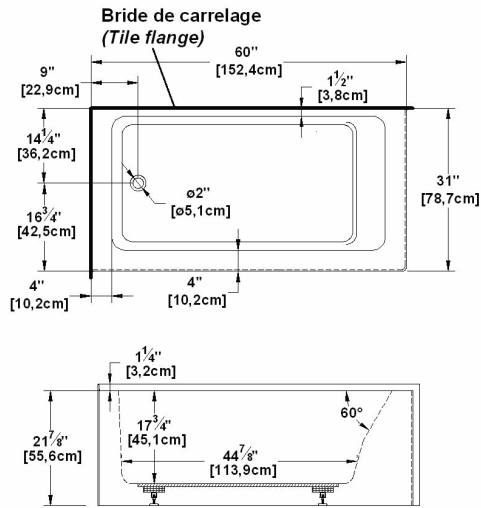
	Code	Add
Exterior MATTE CUSTOM COLOR	EXTXXM	2371 \$
Special Exterior Finish see Page 73	SWXX	2963 \$
White acrylic grab bar (each)	G01	216 \$
Chromatherapy lights	MLC	1145 \$
White floating remote control	RC01	593 \$
Installation panel BACK REST side	TI-DO	404 \$
Chrome Linear overflow and drain	BDW-114	359 \$
Drain & Overflow PVC / Chromed brass	WOCO14	371 \$

Integrated acrylic tile flanges. If system, delivered with keypad not installed and blower must be remote mounted. Available in white only. Only one grab bar can be factory installed. Special Finish not available when ordered with installation panel.

**See the options chart on pages 70 to 73 of this document for all available colors and finishes

Loft 6031LSFR (left drain)

Authentik Signature Series



Complete Technical specifications at www.oceania-attitude.com will prevail at all times

2 Skirts (Front and Right)

60" x 31" x 22" [152,4 cm x 78,7 cm x 55,9 cm]
42 IMP Gal. / 54.80 US Gal. / 190.90 Liters

Retail price

Product Code	Model	Price
LO6031LSFR	Soaker	3,441 \$
LO6031LSFRCA	Comfort air™	6,999 \$
LO6031LSFRAM	AeroMassage™	7,558 \$
LO6031LSFRSA	Super AeroMassage™	9,410 \$
LO6031LSFRLI	Linear cutout	3,441 \$

Standard color : White(01)

Returns accepted on white product only

Options**

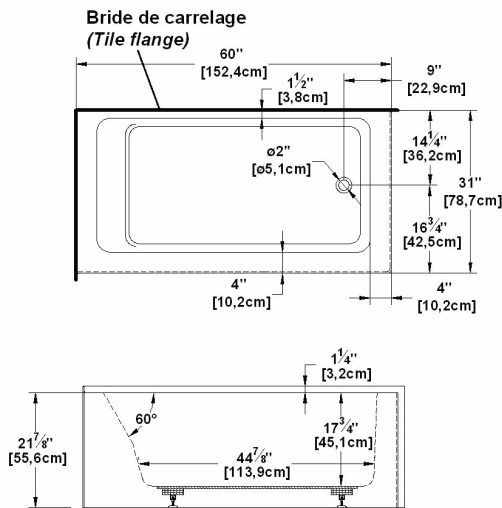
	Code	Add
Exterior MATTE CUSTOM COLOR	EXTXXM	2371 \$
Special Exterior Finish see Page 73	SWXX	2963 \$
White acrylic grab bar (each)	G01	216 \$
Chromatherapy lights	MLC	1145 \$
White floating remote control	RC01	593 \$
Installation panel BACK REST side	TI-DO	404 \$
Chrome Linear overflow and drain	BDW-114	359 \$
Drain & Overflow PVC / Chromed brass	WOCO14	371 \$

Integrated acrylic tile flanges. If system, delivered with keypad not installed and blower must be remote mounted. Available in white only. Only one grab bar can be factory installed. Special Finish not available when ordered with installation panel.

**See the options chart on pages 70 to 73 of this document for all available colors and finishes

Loft 6031RSFR (right drain)

Authentik Signature Series



Complete Technical specifications at www.oceania-attitude.com will prevail at all times

2 Skirts (Front and Right)

60" x 31" x 22" [152,4 cm x 78,7 cm x 55,9 cm]
42 IMP Gal. / 54.80 US Gal. / 190.90 Liters

Retail price

Product Code	Model	Price
LO6031RSFR	Soaker	3,441 \$
LO6031RSFRCA	Comfort air™	6,999 \$
LO6031RSFRAM	AeroMassage™	7,558 \$
LO6031RSFRSA	Super AeroMassage™	9,410 \$
LO6031RSFRLI	Linear cutout	3,441 \$

Standard color : White(01)

Returns accepted on white product only

Options**

	Code	Add
Exterior MATTE CUSTOM COLOR	EXTXXM	2371 \$
Special Exterior Finish see Page 73	SWXX	2963 \$
White acrylic grab bar (each)	G01	216 \$
Chromatherapy lights	MLC	1145 \$
White floating remote control	RC01	593 \$
Installation panel DRAIN side	TI-DR	404 \$
Chrome Linear overflow and drain	BDW-114	359 \$
Flexible Drain & Overflow / Chromed brass	WOCOSBS14	590 \$

WARNING: The installation panel TI-DR is mandatory with the BDW series of drains.

Integrated acrylic tile flanges. If system, delivered with keypad not installed and blower must be remote mounted. Available in white only. Only one grab bar can be factory installed. Special Finish not available when ordered with installation panel.

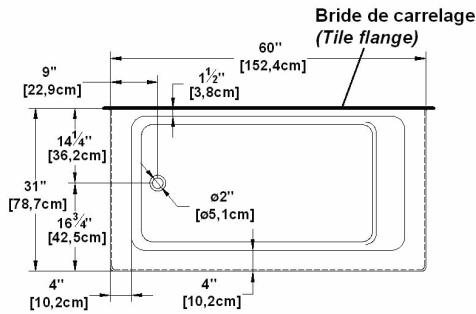
**See the options chart on pages 70 to 73 of this document for all available colors and finishes

Loft 6031LSFLR (left drain)

3 Skirts (Front, Left and Right)

60" x 31" x 22" [152,4 cm x 78,7 cm x 55,9 cm]
42 IMP Gal. / 54.80 US Gal. / 190.90 Liters

Authentik Signature Series



Complete Technical specifications at www.oceania-attitude.com will prevail at all times

Retail price

Product Code	Model	Price
LO6031LSFLR	Soaker	4,032 \$
LO6031LSFLRCA	Comfort air™	7,763 \$
LO6031LSFLRAM	AeroMassage™	8,242 \$
LO6031LSFLRSA	Super AeroMassage™	10,094 \$
LO6031LSFLRLI	Linear cutout	4,032 \$

Standard color : White(01)

Returns accepted on white product only

Options**

	Code	Add
Exterior MATTE CUSTOM COLOR	EXTXXM	2371 \$
Special Exterior Finish see Page 73	SWXX	2963 \$
White acrylic grab bar (each)	G01	216 \$
Chromatherapy lights	MLC	1145 \$
White floating remote control	RC01	593 \$
Installation panel BACK REST side	TI-DO	404 \$
Installation panel DRAIN side	TI-DR	404 \$
Floor drain for freestanding baths	FBQD	396 \$
Chrome Linear overflow and drain	BDW-114	359 \$
Flexible Drain & Overflow / Chromed brass	WOCOSBS14	590 \$

WARNING: The installation panel TI-DR is mandatory with the BDW series of drains.

Integrated acrylic tile flanges. If system, delivered with keypad not installed and blower must be remote mounted. Available in white only. Only one grab bar can be factory installed. Special Finish not available when ordered with installation panel.

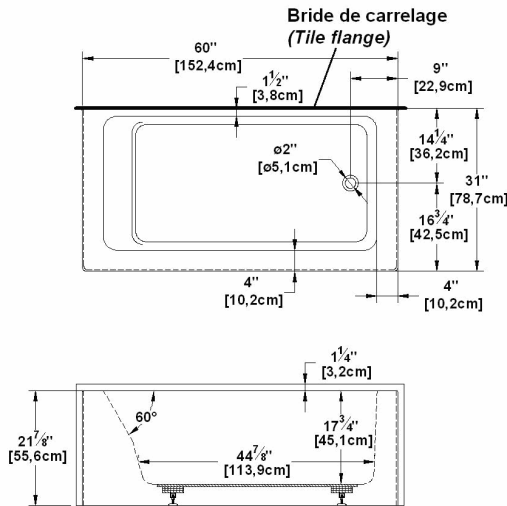
**See the options chart on pages 70 to 73 of this document for all available colors and finishes

Loft 6031RSFLR (right drain)

3 Skirts (Front, Left and Right)

60" x 31" x 22" [152,4 cm x 78,7 cm x 55,9 cm]
42 IMP Gal. / 54.80 US Gal. / 190.90 Liters

Authentik Signature Series



Complete Technical specifications at www.oceania-attitude.com will prevail at all times

Retail price

Product Code	Model	Price
LO6031RSFLR	Soaker	4,032 \$
LO6031RSFLRCA	Comfort air™	7,763 \$
LO6031RSFLRAM	AeroMassage™	8,242 \$
LO6031RSFLRSA	Super AeroMassage™	10,094 \$
LO6031RSFLRLI	Linear cutout	4,032 \$

Standard color : White(01)

Returns accepted on white product only

Options**

	Code	Add
Exterior MATTE CUSTOM COLOR	EXTXXM	2371 \$
Special Exterior Finish see Page 73	SWXX	2963 \$
White acrylic grab bar (each)	G01	216 \$
Chromatherapy lights	MLC	1145 \$
White floating remote control	RC01	593 \$
Installation panel BACK REST side	TI-DO	404 \$
Installation panel DRAIN side	TI-DR	404 \$
Floor drain for freestanding baths	FBQD	396 \$
Chrome Linear overflow and drain	BDW-114	359 \$
Flexible Drain & Overflow / Chromed brass	WOCOSBS14	590 \$

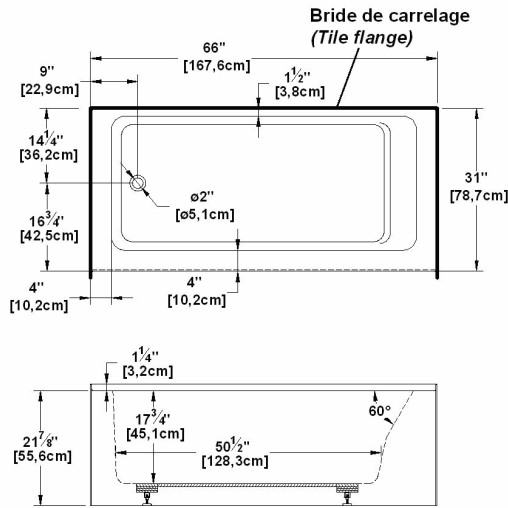
WARNING: The installation panel TI-DR is mandatory with the BDW series of drains.

Integrated acrylic tile flanges. If system, delivered with keypad not installed and blower must be remote mounted. Available in white only. Only one grab bar can be factory installed. Special Finish not available when ordered with installation panel.

**See the options chart on pages 70 to 73 of this document for all available colors and finishes

Loft 6631 L-SF

Left hand drain, 1 Skirt (Front)



1 integrated skirt

66" x 31" x 22" [167,6 cm x 78,7 cm x 55,9 cm]
46 IMP Gal. / 60.00 US Gal. / 209.10 Liters

Retail price

Product Code	Model	Price
LO6631LSF	Soaker	3,953 \$
LO6631LSFCA	Comfort air™	6,776 \$
LO6631LSFAM	AeroMassage™	7,489 \$
LO6631LSFSA	Super AeroMassage™	9,079 \$
LO6631LSFLI	Linear cutout	3,953 \$

Standard color : White(01)

Returns accepted on white product only

Options**

	Code	Add
White acrylic grab bar (each)	G01	216 \$
Chromatherapy lights	MLC	1145 \$
White floating remote control	RC01	593 \$
Chrome Linear overflow and drain	BDW-114	359 \$
Drain & Overflow PVC / Chromed brass	WOCO14	371 \$

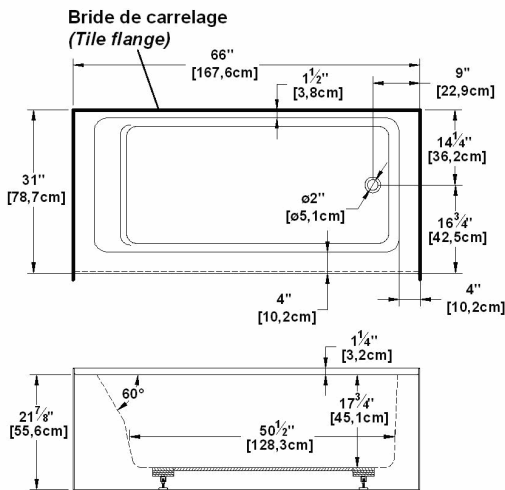
Complete Technical specifications at www.oceania-attitude.com will prevail at all times

Integrated acrylic tile flanges. If system, delivered with keypad not installed. Available in white only. Only one grab bar can be factory installed.

****See the options chart on pages 70 to 73 of this document for all available colors and finishes**

Loft 6631 R-SF

Right hand drain, 1 Skirt (Front)



1 integrated skirt

66" x 31" x 22" [167,6 cm x 78,7 cm x 55,9 cm]
46 IMP Gal. / 60.00 US Gal. / 209.10 Liters

Retail price

Product Code	Model	Price
LO6631RSF	Soaker	3,953 \$
LO6631RSFCA	Comfort air™	6,776 \$
LO6631RSFAM	AeroMassage™	7,489 \$
LO6631RSFSA	Super AeroMassage™	9,079 \$
LO6631RSFLI	Linear cutout	3,953 \$

Standard color : White(01)

Returns accepted on white product only

Options**

	Code	Add
White acrylic grab bar (each)	G01	216 \$
Chromatherapy lights	MLC	1145 \$
White floating remote control	RC01	593 \$
Chrome Linear overflow and drain	BDW-114	359 \$
Drain & Overflow PVC / Chromed brass	WOCO14	371 \$

Complete Technical specifications at www.oceania-attitude.com will prevail at all times

Integrated acrylic tile flanges. If system, delivered with keypad not installed. Available in white only. Only one grab bar can be factory installed.

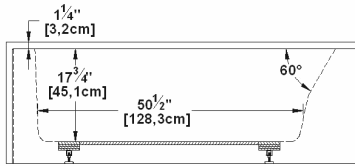
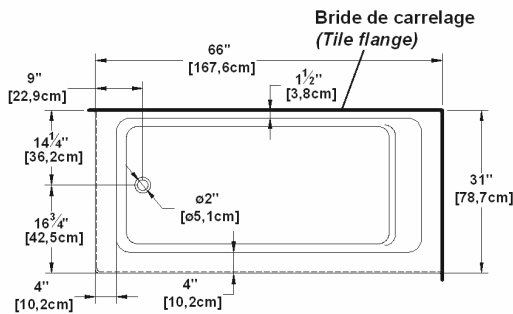
****See the options chart on pages 70 to 73 of this document for all available colors and finishes**

Loft 6631LSFL (left drain)

Authentik Signature Series

2 Skirts (Front and Left)

66" x 31" x 22" [167,6 cm x 78,7 cm x 55,9 cm]
46 IMP Gal. / 60.00 US Gal. / 209.10 Liters



Complete Technical specifications at www.oceania-attitude.com will prevail at all times

Retail price

Product Code	Model	Price
LO6631LSFL	Soaker	4,751 \$
LO6631LSFLCA	Comfort air™	7,529 \$
LO6631LSFLAM	AeroMassage™	8,155 \$
LO6631LSFLSA	Super AeroMassage™	9,749 \$
LO6631LSFLLI	Linear cutout	4,751 \$

Standard color : White(01)

Returns accepted on white product only

Options**

	Code	Add
Exterior MATTE CUSTOM COLOR	EXTXXM	2371 \$
Special Exterior Finish see Page 73	SWXX	2963 \$
White acrylic grab bar (each)	G01	216 \$
Chromatherapy lights	MLC	1145 \$
White floating remote control	RC01	593 \$
Installation panel DRAIN side	TI-DR	404 \$
Floor drain for freestanding baths	FBQD	396 \$
Chrome Linear overflow and drain	BDW-114	359 \$
Flexible Drain & Overflow / Chromed brass	WOCOSBS14	590 \$

WARNING: The installation panel TI-DR is mandatory with the BDW series of drains.

Integrated acrylic tile flanges. If system, delivered with keypad not installed and blower must be remote mounted. Available in white only. Only one grab bar can be factory installed. Special Finish not available when ordered with installation panel.

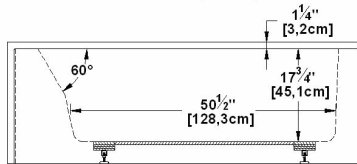
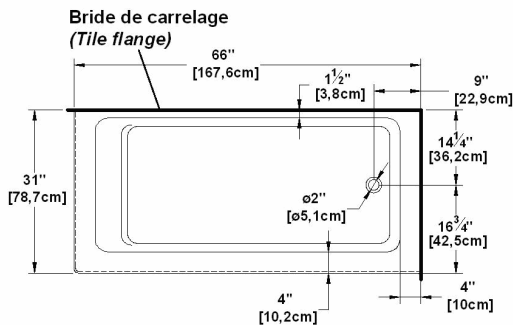
**See the options chart on pages 70 to 73 of this document for all available colors and finishes

Loft 6631RSFL (right drain)

Authentik Signature Series

2 Skirts (Front and Left)

66" x 31" x 22" [167,6 cm x 78,7 cm x 55,9 cm]
46 IMP Gal. / 60.00 US Gal. / 209.10 Liters



Complete Technical specifications at www.oceania-attitude.com will prevail at all times

Retail price

Product Code	Model	Price
LO6631RSFL	Soaker	4,751 \$
LO6631RSFLCA	Comfort air™	7,529 \$
LO6631RSFLAM	AeroMassage™	8,155 \$
LO6631RSFLSA	Super AeroMassage™	9,749 \$
LO6631RSFLLI	Linear cutout	4,751 \$

Standard color : White(01)

Returns accepted on white product only

Options**

	Code	Add
Exterior MATTE CUSTOM COLOR	EXTXXM	2371 \$
Special Exterior Finish see Page 73	SWXX	2963 \$
White acrylic grab bar (each)	G01	216 \$
Chromatherapy lights	MLC	1145 \$
White floating remote control	RC01	593 \$
Installation panel BACK REST side	TI-DO	404 \$
Chrome Linear overflow and drain	BDW-114	359 \$
Drain & Overflow PVC / Chromed brass	WOCO14	371 \$

Integrated acrylic tile flanges. If system, delivered with keypad not installed and blower must be remote mounted. Available in white only. Only one grab bar can be factory installed. Special Finish not available when ordered with installation panel.

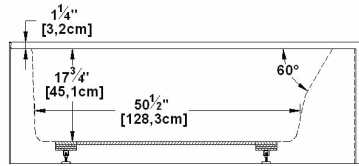
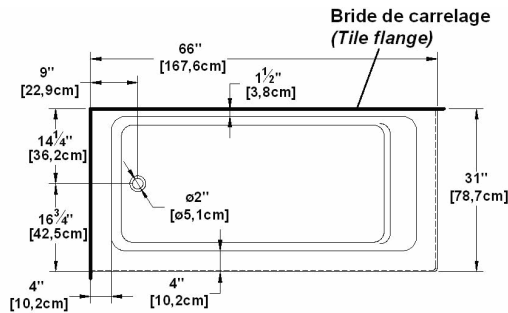
**See the options chart on pages 70 to 73 of this document for all available colors and finishes

Loft 6631LSFR (left drain)

2 Skirts (Front and Right)

66" x 31" x 22" [167,6 cm x 78,7 cm x 55,9 cm]
46 IMP Gal. / 60.00 US Gal. / 209.10 Liters

Authentik Signature Series



Complete Technical specifications at www.oceania-attitude.com will prevail at all times

Retail price

Product Code	Model	Price
LO6631LSFR	Soaker	4,751 \$
LO6631LSFRCA	Comfort air™	7,529 \$
LO6631LSFRAM	AeroMassage™	8,155 \$
LO6631LSFRSA	Super AeroMassage™	9,749 \$
LO6631LSFRLI	Linear cutout	4,751 \$

Standard color : White(01)

Returns accepted on white product only

Options**

	Code	Add
Exterior MATTE CUSTOM COLOR	EXTXXM	2371 \$
Special Exterior Finish see Page 73	SWXX	2963 \$
White acrylic grab bar (each)	G01	216 \$
Chromatherapy lights	MLC	1145 \$
White floating remote control	RC01	593 \$
Installation panel BACK REST side	TI-DO	404 \$
Chrome Linear overflow and drain	BDW-114	359 \$
Drain & Overflow PVC / Chromed brass	WOCO14	371 \$

Integrated acrylic tile flanges. If system, delivered with keypad not installed and blower must be remote mounted. Available in white only. Only one grab bar can be factory installed. Special Finish not available when ordered with installation panel.

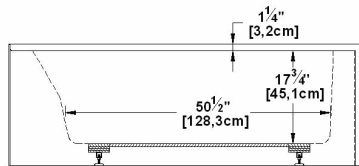
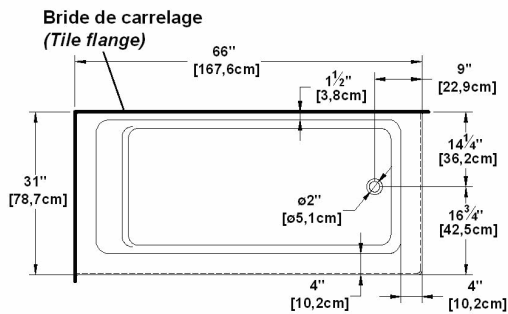
**See the options chart on pages 70 to 73 of this document for all available colors and finishes

Loft 6631RSFR (right drain)

2 Skirts (Front and Right)

66" x 31" x 22" [167,6 cm x 78,7 cm x 55,9 cm]
46 IMP Gal. / 60.00 US Gal. / 209.10 Liters

Authentik Signature Series



Complete Technical specifications at www.oceania-attitude.com will prevail at all times

Retail price

Product Code	Model	Price
LO6631RSFR	Soaker	4,751 \$
LO6631RSFRCA	Comfort air™	7,529 \$
LO6631RSFRAM	AeroMassage™	8,155 \$
LO6631RSFRSA	Super AeroMassage™	9,749 \$
LO6631RSFRLI	Linear cutout	4,751 \$

Standard color : White(01)

Returns accepted on white product only

Options**

	Code	Add
Exterior MATTE CUSTOM COLOR	EXTXXM	2371 \$
Special Exterior Finish see Page 73	SWXX	2963 \$
White acrylic grab bar (each)	G01	216 \$
Chromatherapy lights	MLC	1145 \$
White floating remote control	RC01	593 \$
Installation panel DRAIN side	TI-DR	404 \$
Floor drain for freestanding baths	FBQD	396 \$
Chrome Linear overflow and drain	BDW-114	359 \$
Flexible Drain & Overflow / Chromed brass	WOCOSBS14	590 \$

WARNING: The installation panel TI-DR is mandatory with the BDW series of drains.

Integrated acrylic tile flanges. If system, delivered with keypad not installed and blower must be remote mounted. Available in white only. Only one grab bar can be factory installed. Special Finish not available when ordered with installation panel.

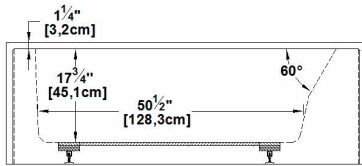
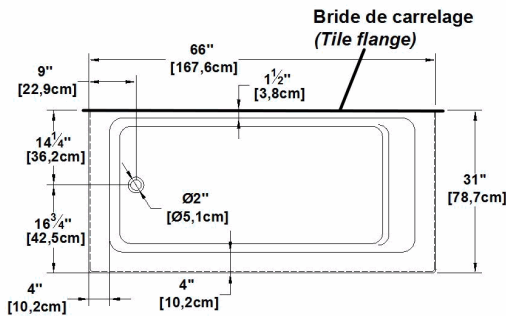
**See the options chart on pages 70 to 73 of this document for all available colors and finishes

Loft 6631LSFLR (left drain)

3 Skirts (Front, Left and Right)

66" x 31" x 22" [167,6 cm x 78,7 cm x 55,9 cm]
46 IMP Gal. / 60.00 US Gal. / 209.10 Liters

Authentik Signature Series



Complete Technical specifications at www.oceania-attitude.com will prevail at all times

Retail price

Product Code	Model	Price
LO6631LSFLR	Soaker	5,126 \$
LO6631LSFLRCA	Comfort air™	7,996 \$
LO6631LSFLRAM	AeroMassage™	8,570 \$
LO6631LSFLRSA	Super AeroMassage™	10,124 \$
LO6631LSFLRLI	Linear cutout	5,126 \$

Standard color : White(01)

Returns accepted on white product only

Options**

	Code	Add
Exterior MATTE CUSTOM COLOR	EXTXXM	2371 \$
Special Exterior Finish see Page 73	SWXX	2963 \$
White acrylic grab bar (each)	G01	216 \$
Chromatherapy lights	MLC	1145 \$
White floating remote control	RC01	593 \$
Installation panel BACK REST side	TI-DO	404 \$
Installation panel DRAIN side	TI-DR	404 \$
Floor drain for freestanding baths	FBQD	396 \$
Chrome Linear overflow and drain	BDW-114	359 \$
Flexible Drain & Overflow / Chromed brass	WOCOSBS14	590 \$

WARNING: The installation panel TI-DR is mandatory with the BDW series of drains.

Integrated acrylic tile flanges. If system, delivered with keypad not installed and blower must be remote mounted. Available in white only. Only one grab bar can be factory installed. Special Finish not available when ordered with installation panel.

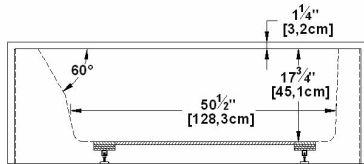
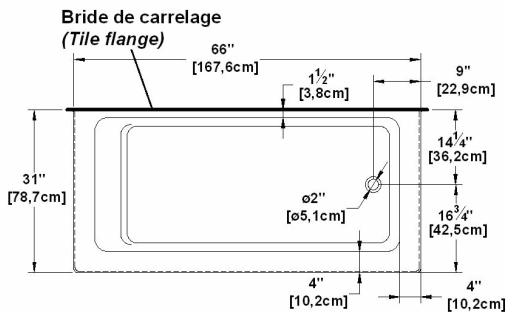
**See the options chart on pages 70 to 73 of this document for all available colors and finishes

Loft 6631RSFLR (right drain)

3 Skirts (Front, Left and Right)

66" x 31" x 22" [167,6 cm x 78,7 cm x 55,9 cm]
46 IMP Gal. / 60.00 US Gal. / 209.10 Liters

Authentik Signature Series



Complete Technical specifications at www.oceania-attitude.com will prevail at all times

Retail price

Product Code	Model	Price
LO6631RSFLR	Soaker	5,126 \$
LO6631RSFLRCA	Comfort air™	7,996 \$
LO6631RSFLRAM	AeroMassage™	8,570 \$
LO6631RSFLRSA	Super AeroMassage™	10,124 \$
LO6631RSFLRLI	Linear cutout	5,126 \$

Standard color : White(01)

Returns accepted on white product only

Options**

	Code	Add
Exterior MATTE CUSTOM COLOR	EXTXXM	2371 \$
Special Exterior Finish see Page 73	SWXX	2963 \$
White acrylic grab bar (each)	G01	216 \$
Chromatherapy lights	MLC	1145 \$
White floating remote control	RC01	593 \$
Installation panel BACK REST side	TI-DO	404 \$
Installation panel DRAIN side	TI-DR	404 \$
Floor drain for freestanding baths	FBQD	396 \$
Chrome Linear overflow and drain	BDW-114	359 \$
Flexible Drain & Overflow / Chromed brass	WOCOSBS14	590 \$

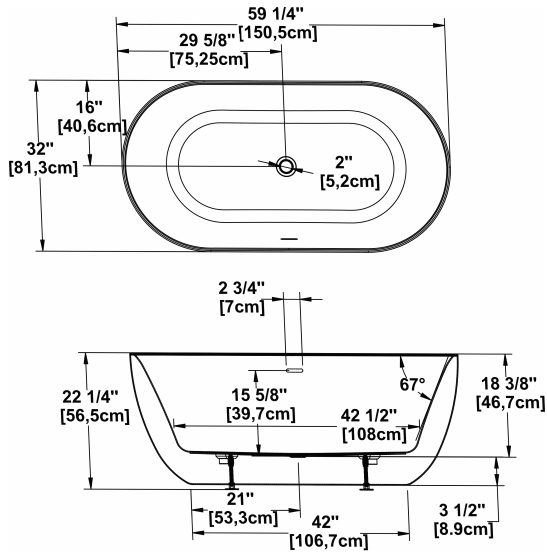
WARNING: The installation panel TI-DR is mandatory with the BDW series of drains.

Integrated acrylic tile flanges. If system, delivered with keypad not installed and blower must be remote mounted. Available in white only. Only one grab bar can be factory installed. Special Finish not available when ordered with installation panel.

**See the options chart on pages 70 to 73 of this document for all available colors and finishes

Minto 59 Freestanding

Authentik Signature Series



Complete Technical specifications at www.oceania-attitude.com will prevail at all times

WARNING: The interior is available in white only. SW option not available on this model.

Default exterior finish : white acrylic. The overflow is factory installed, the chrome drain is included but not installed. When ordered with AeroMassage, blower must be remote mounted. If system, delivered with keypad not installed and remote control is included. The Chromatherapy option is only available with the AeroMassage option.

**See the options chart on pages 70 to 73 of this document for all available colors and finishes

One-piece freestanding bath

59" x 32" x 22" [150,5 cm x 81,3 cm x 55,9 cm]
53 IMP Gal. / 63.65 US Gal. / 240.94 Liters

Retail price

Product Code	Model	Price
MI59	Soaker	4,281 \$
Not available	Comfort air™	N/A
MI59AM	AeroMassage™	8,060 \$
Not available	Super AeroMassage™	N/A
Not available	Linear cutout	N/A

Standard color : White(01)

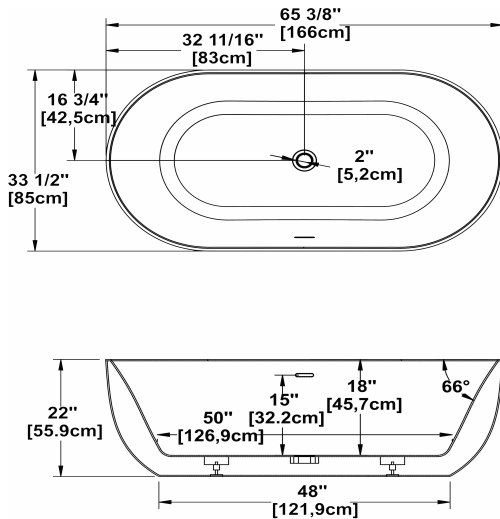
Returns accepted on white product only

Options**

	Code	Add
Glossy black acrylic exterior	EXT48	1532 \$
Exterior MATTE WHITE acrylic	EXT01M	1415 \$
Exterior MATTE CUSTOM COLOR	EXTXXM	2371 \$
Drain cover - Chrome	INF114	0 \$
Drain cover - White	INF101	184 \$
Drain cover - Matte Black	INF148M	184 \$
Chromatherapy lights	MLC	1145 \$
Floor drain for freestanding baths	FBQD	396 \$

Minto 65 Freestanding

Authentik Signature Series



Complete Technical specifications at www.oceania-attitude.com will prevail at all times

WARNING: The interior is available in white only. SW option not available on this model.

Default exterior finish : white acrylic. The overflow is factory installed, the drain is included but not installed. When ordered with AeroMassage, blower must be remote mounted. If system, delivered with keypad not installed and remote control is included. The Chromatherapy option is only available with the AeroMassage option.

**See the options chart on pages 70 to 73 of this document for all available colors and finishes

One-piece freestanding bath

65" x 34" x 22" [167,0 cm x 86,4 cm x 55,9 cm]
49 IMP Gal. / 63.90 US Gal. / 222.70 Liters

Retail price

Product Code	Model	Price
MI65	Soaker	4,704 \$
Not available	Comfort air™	N/A
MI65AM	AeroMassage™	8,599 \$
Not available	Super AeroMassage™	N/A
Not available	Linear cutout	N/A

Standard color : White(01)

Returns accepted on white product only

Options**

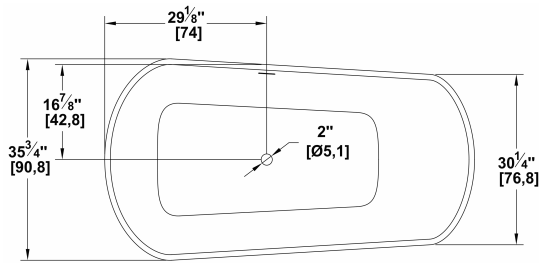
	Code	Add
Glossy black acrylic exterior	EXT48	1532 \$
Exterior MATTE WHITE acrylic	EXT01M	1415 \$
Exterior MATTE CUSTOM COLOR	EXTXXM	2371 \$
Drain cover - Chrome	INF114	0 \$
Drain cover - White	INF101	184 \$
Drain cover - Matte Black	INF148M	184 \$
Chromatherapy lights	MLC	1145 \$
Floor drain for freestanding baths	FBQD	396 \$

Muskoka 67 Freestanding

One-piece freestanding bath

67" x 36" x 22" [170,2 cm x 91,4 cm x 55,9 cm]
69 IMP Gal. / 90.00 US Gal. / 3,137.00 Liters

Authentik Signature Series

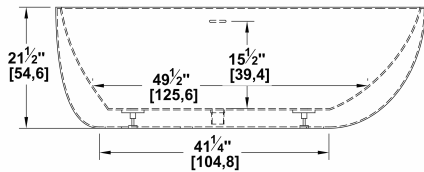


Retail price

Product Code	Model	Price
MU67	Soaker	4,704 \$
Not available	Comfort air™	N/A
MU67AM	AeroMassage™	8,599 \$
Not available	Super AeroMassage™	N/A
Not available	Linear cutout	N/A

Standard color : White(01)

Returns accepted on white product only



Complete Technical specifications at www.oceania-attitude.com will prevail at all times

Options**

	Code	Add
Glossy black acrylic exterior	EXT48	1532 \$
Exterior MATTE WHITE acrylic	EXT01M	1415 \$
Exterior MATTE CUSTOM COLOR	EXTXXM	2371 \$
Drain cover - Chrome	INF114	0 \$
Drain cover - White	INF101	184 \$
Drain cover - Matte Black	INF148M	184 \$
Chromatherapy lights	MLC	1145 \$
Floor drain for freestanding baths	FBQD	396 \$

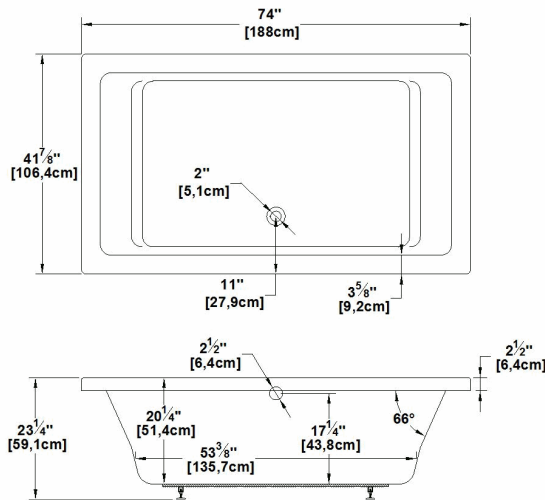
WARNING: The interior is available in white only. SW option not available on this model.

Default exterior finish : white acrylic. The overflow is factory installed, the chrome drain is included but not installed. When ordered with AeroMassage, blower must be remote mounted. If system, delivered with keypad not installed and remote control is included. The Chromatherapy option is only available with the AeroMassage option.

****See the options chart on pages 70 to 73 of this document for all available colors and finishes**

Nature

74" x 42" x 23" [188,0 cm x 106,7 cm x 58,4 cm]
94 IMP Gal. / 122.60 US Gal. / 427.30 Liters



Retail price

Product Code	Model	Price
NA24	Soaker	3,650 \$
NA24CA	Comfort air™	6,249 \$
NA24AM	AeroMassage™	6,930 \$
NA24SA	Super AeroMassage™	9,049 \$
NA24LI	Linear cutout	3,650 \$

Standard color : White(01)

Returns accepted on white product only

Options**

	Code	Add
White acrylic grab bar (each)	G01	216 \$
Acrylic Biscuit Color	INT02	1532 \$
Acrylic Black Color	INT48	1532 \$
Removable White Skirt Panel for bath XL	JAXL	1287 \$
Low-Profile bath lip	LP	329 \$
Chromatherapy lights	MLC	1145 \$
White floating remote control	RC01	593 \$
Tile flange for baths, see page 55	TF	228 \$
Chrome Linear overflow and drain	BDW-114	359 \$
Drain & Overflow PVC / Chromed brass	WOCO14	371 \$

Complete Technical specifications at www.oceania-attitude.com will prevail at all times

Keypad supplied but not installed when ordered with tile flanges or remote control.

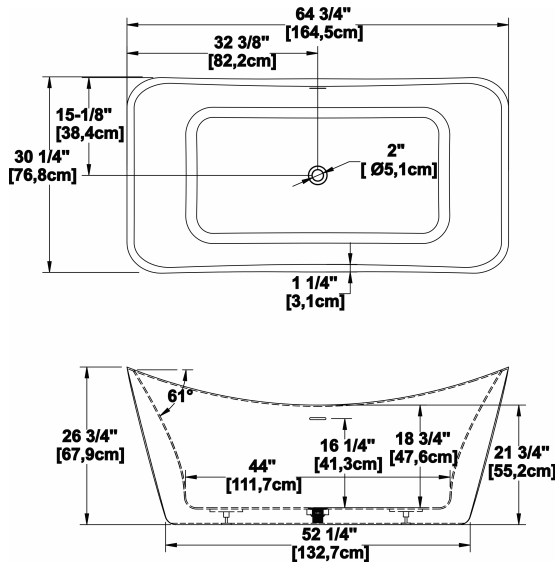
****See the options chart on pages 70 to 73 of this document for all available colors and finishes**

Primrose 65 Freestanding

One-piece freestanding bath

65" x 30" x 27" [164.5 cm x 76.2 cm x 68.9]
55 IMP Gal. / 71.70 US Gal. / 250.00 Liters

Authentik Signature Series



Complete Technical specifications at www.oceania-attitude.com will prevail at all times

Retail price

Product Code	Model	Price
PR65	Soaker	4,704 \$
Not available	Comfort air™	N/A
PR65AM	AeroMassage™	8,599 \$
Not available	Super AeroMassage™	N/A
Not available	Linear cutout	N/A

Standard color : White(01)

Returns accepted on white product only

Options**

	Code	Add
Glossy black acrylic exterior	EXT48	1532 \$
Exterior MATTE WHITE acrylic	EXT01M	1415 \$
Exterior MATTE CUSTOM COLOR	EXTXXM	2371 \$
Special Exterior Finish see Page 73	SWXX	2963 \$
Drain cover - Chrome	INF114	0 \$
Drain cover - White	INF101	184 \$
Drain cover - Matte Black	INF148M	184 \$
Chromatherapy lights	MLC	1145 \$
Floor drain for freestanding baths	FBQD	396 \$

WARNING: The interior is available in white only.

Default exterior finish : white acrylic. The overflow is factory installed, the chrome drain is included but not installed. When ordered with AeroMassage, blower must be remote mounted. If system, delivered with keypad not installed and remote control is included. The Chromatherapy option is only available with the AeroMassage option.

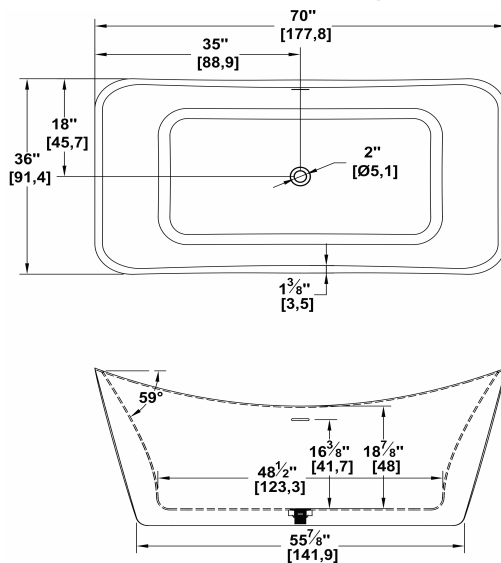
**See the options chart on pages 70 to 73 of this document for all available colors and finishes

Primrose 70 Freestanding

One-piece freestanding bath

70" x 36" x 27" [177.8 cm x 91.4 cm x 68.9]
60 IMP Gal. / 78.20 US Gal. / 272.70 Liters

Authentik Signature Series



Complete Technical specifications at www.oceania-attitude.com will prevail at all times

Retail price

Product Code	Model	Price
PR70	Soaker	5,015 \$
Not available	Comfort air™	N/A
PR70AM	AeroMassage™	8,665 \$
Not available	Super AeroMassage™	N/A
Not available	Linear cutout	N/A

Standard color : White(01)

Returns accepted on white product only

Options**

	Code	Add
Glossy black acrylic exterior	EXT48	1532 \$
Exterior MATTE WHITE acrylic	EXT01M	1415 \$
Exterior MATTE CUSTOM COLOR	EXTXXM	2371 \$
Special Exterior Finish see Page 73	SWXX	2963 \$
Drain cover - Chrome	INF114	0 \$
Drain cover - White	INF101	184 \$
Drain cover - Matte Black	INF148M	184 \$
Chromatherapy lights	MLC	1145 \$
Floor drain for freestanding baths	FBQD	396 \$

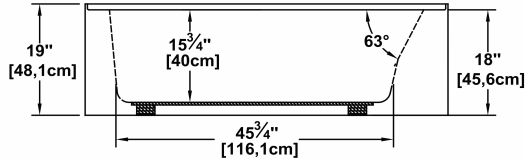
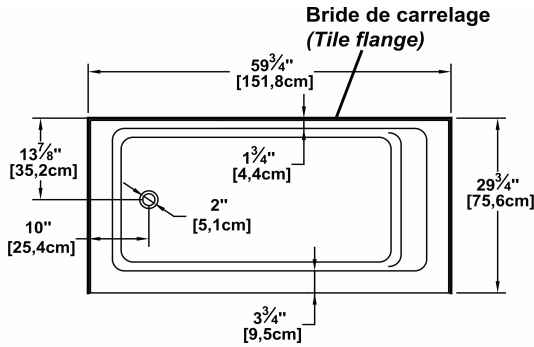
WARNING: The interior is available in white only.

Default exterior finish : white acrylic. The overflow is factory installed, the chrome drain is included but not installed. When ordered with AeroMassage, blower must be remote mounted. If system, delivered with keypad not installed and remote control is included. The Chromatherapy option is only available with the AeroMassage option.

**See the options chart on pages 70 to 73 of this document for all available colors and finishes

Pure 6030 (left hand drain)

Alcove installation, flanges on 3 sides



Complete Technical specifications at www.oceania-attitude.com will prevail at all times

Integrated front skirt

60" x 30" x 18" [152,4 cm x 76,2 cm x 45,7 cm]
35 IMP Gal. / 45.70 US Gal. / 159.10 Liters

Retail price

Product Code	Model	Price
PU6030L	Soaker	1,868 \$
PU6030LCA	Comfort air™	4,848 \$
PU6030LAM	AeroMassage™	5,997 \$
Not available	Super AeroMassage™	N/A
PU6030LLI	Linear cutout	1,868 \$

Standard color : White(01)

Returns accepted on white product only

Options**

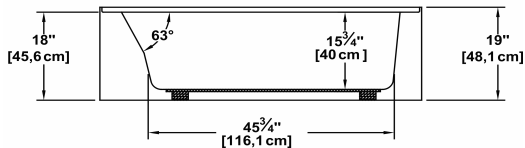
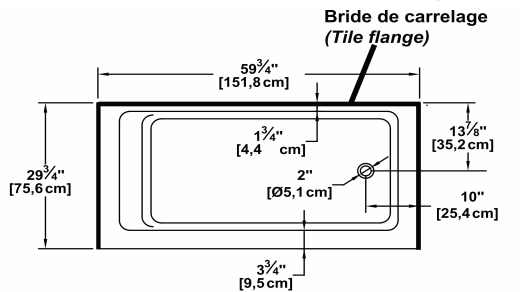
	Code	Add
White acrylic grab bar (each)	G01	216 \$
Acrylic Biscuit Color	INT02	1532 \$
Acrylic Black Color	INT48	1532 \$
No front skirt, cut at 2" high	JC2	0 \$
Chromatherapy lights	MLC	1145 \$
White floating remote control	RC01	593 \$
Chrome Linear overflow and drain	BDW-114	359 \$
Drain & Overflow PVC / Chromed brass	WOCO14	371 \$

Integrated acrylic tile flanges. If system, delivered with keypad not installed. Only one grab bar can be factory installed.

**See the options chart on pages 70 to 73 of this document for all available colors and finishes

Pure 6030 (right hand drain)

Alcove installation, flanges on 3 sides



Complete Technical specifications at www.oceania-attitude.com will prevail at all times

Integrated front skirt

60" x 30" x 18" [152,4 cm x 76,2 cm x 45,7 cm]
35 IMP Gal. / 45.70 US Gal. / 159.10 Liters

Retail price

Product Code	Model	Price
PU6030R	Soaker	1,868 \$
PU6030RCA	Comfort air™	4,848 \$
PU6030RAM	AeroMassage™	5,997 \$
Not available	Super AeroMassage™	N/A
PU6030RLI	Linear cutout	1,868 \$

Standard color : White(01)

Returns accepted on white product only

Options**

	Code	Add
White acrylic grab bar (each)	G01	216 \$
Acrylic Biscuit Color	INT02	1532 \$
Acrylic Black Color	INT48	1532 \$
No front skirt, cut at 2" high	JC2	0 \$
Chromatherapy lights	MLC	1145 \$
White floating remote control	RC01	593 \$
Chrome Linear overflow and drain	BDW-114	359 \$
Drain & Overflow PVC / Chromed brass	WOCO14	371 \$

Integrated acrylic tile flanges. If system, delivered with keypad not installed. Only one grab bar can be factory installed.

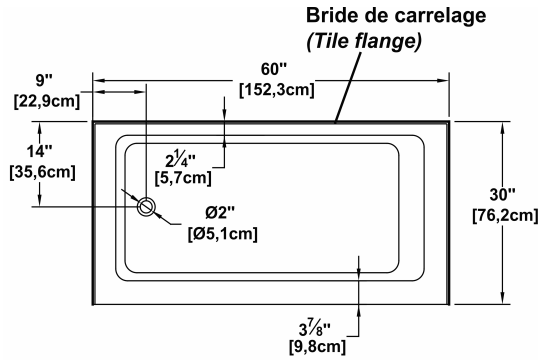
**See the options chart on pages 70 to 73 of this document for all available colors and finishes

Pure 603016 (left hand drain)

Integrated front skirt

60" x 30" x 16" [152,3 cm x 76,2 cm x 40,6 cm]
30 IMP Gal. / 39.10 US Gal. / 136.40 Liters

Alcove installation, flanges on 3 sides



Retail price

Product Code	Model	Price
PU603016L	Soaker	1,868 \$
Not available	Comfort air™	N/A
Not available	AeroMassage™	N/A
Not available	Super AeroMassage™	N/A
PU603016LLI	Linear cutout	1,868 \$

Standard color : White(01)

Returns accepted on white product only

Options**

	Code	Add
White acrylic grab bar (each)	G01	216 \$
Acrylic Biscuit Color	INT02	1532 \$
Acrylic Black Color	INT48	1532 \$
No front skirt, cut at 2" high	JC2	0 \$
Chromatherapy lights	MLC	1145 \$
Chrome Linear overflow and drain	BDW-114	359 \$
Drain & Overflow PVC / Chromed brass	WOCO14	371 \$

Complete Technical specifications at www.oceania-attitude.com will prevail at all times

Integrated acrylic tile flanges. Only one grab bar can be factory installed.

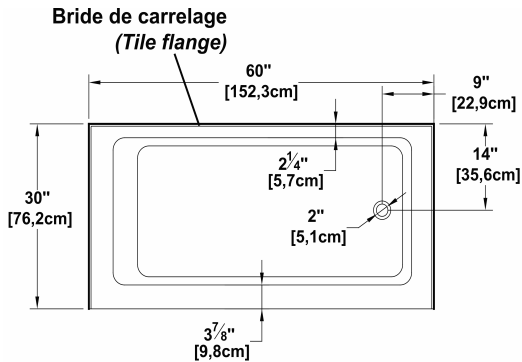
**See the options chart on pages 70 to 73 of this document for all available colors and finishes

Pure 603016 (right hand drain)

Integrated front skirt

60" x 30" x 16" [152,3 cm x 76,2 cm x 40,6 cm]
30 IMP Gal. / 39.10 US Gal. / 136.40 Liters

Alcove installation, flanges on 3 sides



Retail price

Product Code	Model	Price
PU603016R	Soaker	1,868 \$
Not available	Comfort air™	N/A
Not available	AeroMassage™	N/A
Not available	Super AeroMassage™	N/A
PU603016RLI	Linear cutout	1,868 \$

Standard color : White(01)

Returns accepted on white product only

Options**

	Code	Add
White acrylic grab bar (each)	G01	216 \$
Acrylic Biscuit Color	INT02	1532 \$
Acrylic Black Color	INT48	1532 \$
No front skirt, cut at 2" high	JC2	0 \$
Chromatherapy lights	MLC	1145 \$
Chrome Linear overflow and drain	BDW-114	359 \$
Drain & Overflow PVC / Chromed brass	WOCO14	371 \$

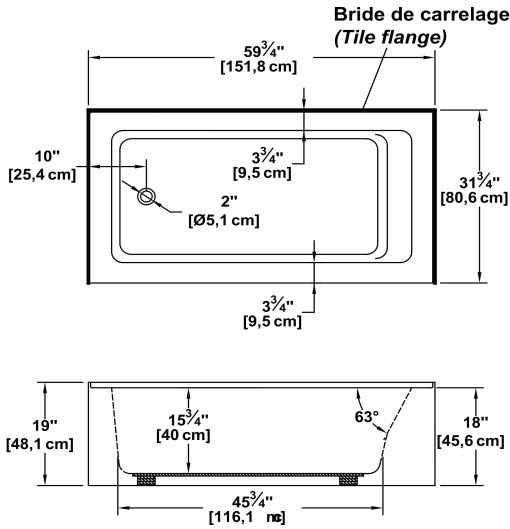
Complete Technical specifications at www.oceania-attitude.com will prevail at all times

Integrated acrylic tile flanges. Only one grab bar can be factory installed.

**See the options chart on pages 70 to 73 of this document for all available colors and finishes

Pure 6032 (left hand drain)

Alcove installation, flanges on 3 sides



Complete Technical specifications at www.oceania-attitude.com will prevail at all times

Integrated front skirt

60" x 32" x 18" [152,4 cm x 81,3 cm x 45,7 cm]
35 IMP Gal. / 45.70 US Gal. / 159.10 Liters

Retail price

Product Code	Model	Price
PU6032L	Soaker	1,868 \$
PU6032LCA	Comfort air™	4,848 \$
PU6032LAM	AeroMassage™	5,997 \$
Not available	Super AeroMassage™	N/A
PU6032LLI	Linear cutout	1,868 \$

Standard color : White(01)

Returns accepted on white product only

Options**

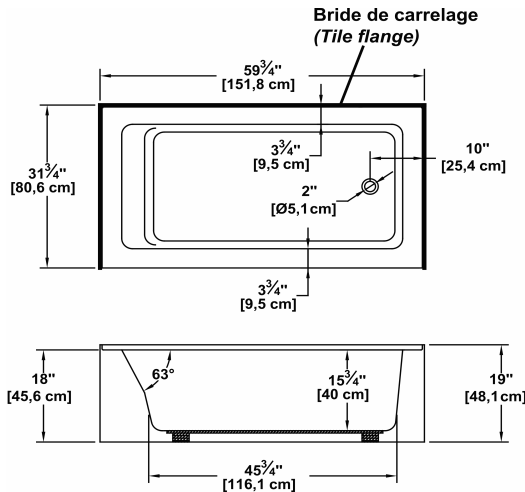
	Code	Add
White acrylic grab bar (each)	G01	216 \$
Acrylic Biscuit Color	INT02	1532 \$
Acrylic Black Color	INT48	1532 \$
No front skirt, cut at 2" high	JC2	0 \$
Chromatherapy lights	MLC	1145 \$
White floating remote control	RC01	593 \$
Chrome Linear overflow and drain	BDW-114	359 \$
Drain & Overflow PVC / Chromed brass	WOCO14	371 \$

Integrated acrylic tile flanges. If system, delivered with keypad not installed. Only one grab bar can be factory installed.

**See the options chart on pages 70 to 73 of this document for all available colors and finishes

Pure 6032 (right hand drain)

Alcove installation, flanges on 3 sides



Complete Technical specifications at www.oceania-attitude.com will prevail at all times

Integrated front skirt

60" x 32" x 18" [152,4 cm x 81,3 cm x 45,7 cm]
35 IMP Gal. / 45.70 US Gal. / 159.10 Liters

Retail price

Product Code	Model	Price
PU6032R	Soaker	1,868 \$
PU6032RCA	Comfort air™	4,848 \$
PU6032RAM	AeroMassage™	5,997 \$
Not available	Super AeroMassage™	N/A
PU6032RLI	Linear cutout	1,868 \$

Standard color : White(01)

Returns accepted on white product only

Options**

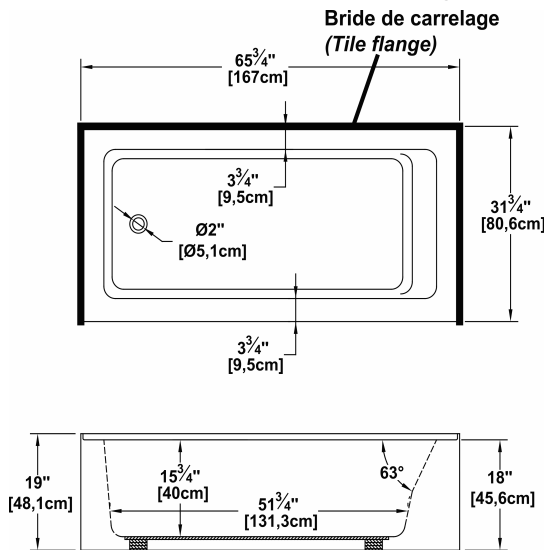
	Code	Add
White acrylic grab bar (each)	G01	216 \$
Acrylic Biscuit Color	INT02	1532 \$
Acrylic Black Color	INT48	1532 \$
No front skirt, cut at 2" high	JC2	0 \$
Chromatherapy lights	MLC	1145 \$
White floating remote control	RC01	593 \$
Chrome Linear overflow and drain	BDW-114	359 \$
Drain & Overflow PVC / Chromed brass	WOCO14	371 \$

Integrated acrylic tile flanges. If system, delivered with keypad not installed. Only one grab bar can be factory installed.

**See the options chart on pages 70 to 73 of this document for all available colors and finishes

Pure 6632 (left hand drain)

Alcove installation, flanges on 3 sides



Complete Technical specifications at www.oceania-attitude.com will prevail at all times

Integrated front skirt

66" x 32" x 18" [167,6 cm x 81,3 cm x 45,7 cm]
41 IMP Gal. / 535.00 US Gal. / 1,864.00 Liters

Retail price

Product Code	Model	Price
PU6632L	Soaker	2,432 \$
PU6632LCA	Comfort air™	5,534 \$
PU6632LAM	AeroMassage™	6,735 \$
PU6632LSA	Super AeroMassage™	7,775 \$
PU6632LLI	Linear cutout	2,432 \$

Standard color : White(01)

Returns accepted on white product only

Options**

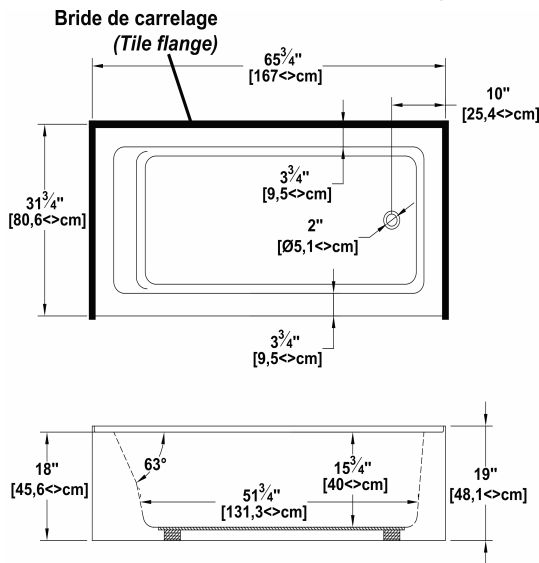
	Code	Add
White acrylic grab bar (each)	G01	216 \$
Acrylic Biscuit Color	INT02	1532 \$
Acrylic Black Color	INT48	1532 \$
No front skirt, cut at 2" high	JC2	0 \$
Chromatherapy lights	MLC	1145 \$
White floating remote control	RC01	593 \$
Chrome Linear overflow and drain	BDW-114	359 \$
Drain & Overflow PVC / Chromed brass	WOCO14	371 \$

Integrated acrylic tile flanges. If system, delivered with keypad not installed. Only one grab bar can be factory installed.

**See the options chart on pages 70 to 73 of this document for all available colors and finishes

Pure 6632 (right hand drain)

Alcove installation, flanges on 3 sides



Complete Technical specifications at www.oceania-attitude.com will prevail at all times

Integrated front skirt

66" x 32" x 18" [167,6 cm x 81,3 cm x 45,7 cm]
41 IMP Gal. / 535.00 US Gal. / 1,844.00 Liters

Retail price

Product Code	Model	Price
PU6632R	Soaker	2,432 \$
PU6632RCA	Comfort air™	5,534 \$
PU6632RAM	AeroMassage™	6,735 \$
PU6632RSA	Super AeroMassage™	7,775 \$
PU6632RLI	Linear cutout	2,432 \$

Standard color : White(01)

Returns accepted on white product only

Options**

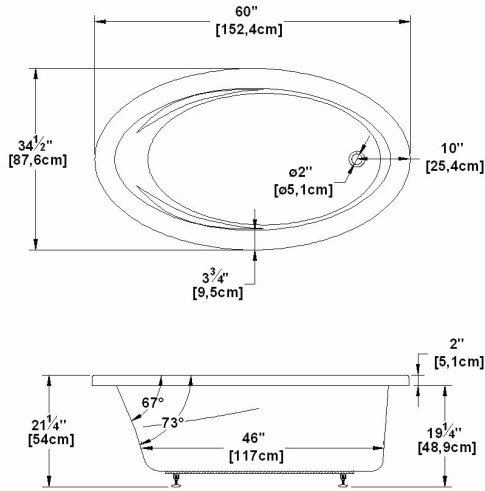
	Code	Add
White acrylic grab bar (each)	G01	216 \$
Acrylic Biscuit Color	INT02	1532 \$
Acrylic Black Color	INT48	1532 \$
No front skirt, cut at 2" high	JC2	0 \$
Chromatherapy lights	MLC	1145 \$
White floating remote control	RC01	593 \$
Chrome Linear overflow and drain	BDW-114	359 \$
Drain & Overflow PVC / Chromed brass	WOCO14	371 \$

Integrated acrylic tile flanges. If system, delivered with keypad not installed. Only one grab bar can be factory installed.

**See the options chart on pages 70 to 73 of this document for all available colors and finishes

Rose 60

60" x 35" x 21" [152,4 cm x 88,9 cm x 53,3 cm]
41 IMP Gal. / 53.50 US Gal. / 186.40 Liters



Retail price

Product Code	Model	Price
RO60	Soaker	2,366 \$
RO60CA	Comfort air™	4,332 \$
RO60AM	AeroMassage™	5,585 \$
Not available	Super AeroMassage™	N/A
Not available	Linear cutout	N/A

Standard color : White(01)

Returns accepted on white product only

Options**

	Code	Add
White acrylic grab bar (each)	G01	216 \$
Acrylic Biscuit Color	INT02	1532 \$
Acrylic Black Color	INT48	1532 \$
Chromatherapy lights	MLC	1145 \$
White floating remote control	RC01	593 \$
Drain & Overflow PVC / Chromed brass	WOCO14	371 \$

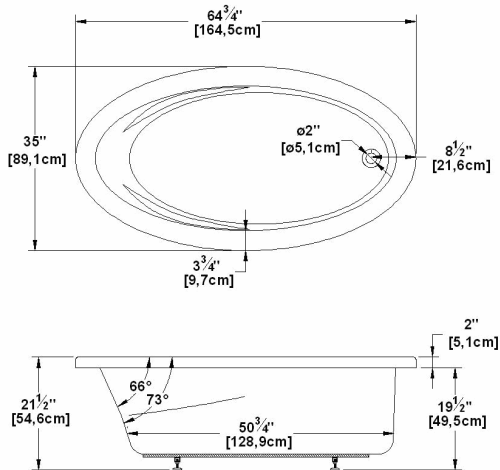
Complete Technical specifications at www.oceania-attitude.com will prevail at all times

Keypad not installed when ordered with remote control.

****See the options chart on pages 70 to 73 of this document for all available colors and finishes**

Rose 65

65" x 35" x 21" [165,1 cm x 88,9 cm x 53,3 cm]
45 IMP Gal. / 58.70 US Gal. / 204.60 Liters



Retail price

Product Code	Model	Price
RO65	Soaker	2,653 \$
RO65CA	Comfort air™	4,583 \$
RO65AM	AeroMassage™	5,575 \$
Not available	Super AeroMassage™	N/A
Not available	Linear cutout	N/A

Standard color : White(01)

Returns accepted on white product only

Options**

	Code	Add
White acrylic grab bar (each)	G01	216 \$
Acrylic Biscuit Color	INT02	1532 \$
Acrylic Black Color	INT48	1532 \$
Chromatherapy lights	MLC	1145 \$
White floating remote control	RC01	593 \$
Drain & Overflow PVC / Chromed brass	WOCO14	371 \$

Complete Technical specifications at www.oceania-attitude.com will prevail at all times

Keypad not installed when ordered with remote control.

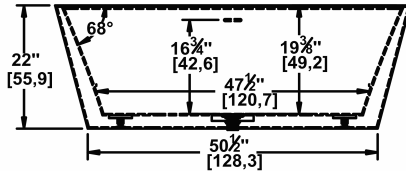
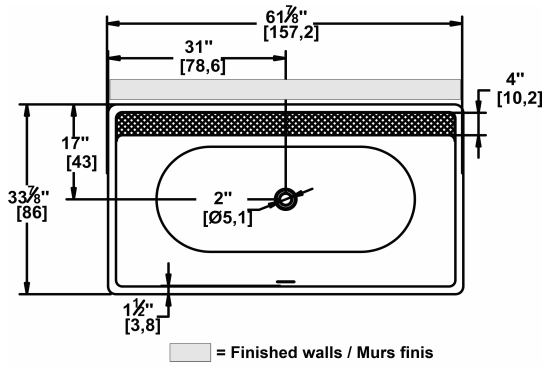
****See the options chart on pages 70 to 73 of this document for all available colors and finishes**

Rupert 62 Freestanding

One-piece freestanding bath

62" x 34" x 22" [157,5 cm x 86,4 cm x 55,9 cm]
46 IMP Gal. / 60.00 US Gal. / 2,091.00 Liters

Authentik Signature Series



Complete Technical specifications at www.oceania-attitude.com will prevail at all times

Retail price

Product Code	Model	Price
RU62	Soaker	4,368 \$
Not available	Comfort air™	N/A
RU62AM	AeroMassage™	8,137 \$
Not available	Super AeroMassage™	N/A
Not available	Linear cutout	N/A

Standard color : White(01)

Returns accepted on white product only

Options**

	Code	Add
Glossy black acrylic exterior	EXT48	1532 \$
Exterior MATTE WHITE acrylic	EXT01M	1415 \$
Exterior MATTE CUSTOM COLOR	EXTXXM	2371 \$
Special Exterior Finish see Page 73	SWXX	2963 \$
Drain cover - Chrome	INF114	0 \$
Drain cover - White	INF101	184 \$
Drain cover - Matte Black	INF148M	184 \$
Chromatherapy lights	MLC	1145 \$
Floor drain for freestanding baths	FBQD	396 \$

WARNING: The interior is available in white only.

Default exterior finish : white acrylic. The overflow is factory installed, the chrome drain is included but not installed. When ordered with AeroMassage, blower must be remote mounted. If system, delivered with keypad not installed and remote control is included. The Chromatherapy option is only available with the AeroMassage option.

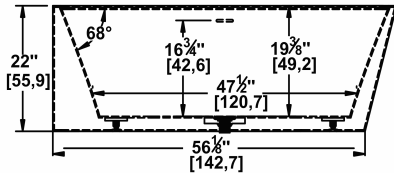
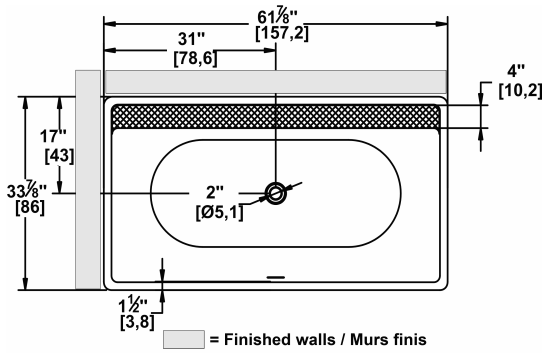
****See the options chart on pages 70 to 73 of this document for all available colors and finishes**

oceania

water • attitude

Rupert 62 SFR

Authentik Signature Series



Complete Technical specifications at www.oceania-attitude.com will prevail at all times

Left corner installation

62" x 34" x 22" [157,5 cm x 86,4 cm x 55,9 cm]
46 IMP Gal. / 60.00 US Gal. / 2,091.00 Liters

Retail price

Product Code	Model	Price
RU62SFR	Soaker	4,368 \$
Not available	Comfort air™	N/A
RU62SFRAM	AeroMassage™	8,137 \$
Not available	Super AeroMassage™	N/A
Not available	Linear cutout	N/A

Standard color : White(01)

Returns accepted on white product only

Options**

	Code	Add
Glossy black acrylic exterior	EXT48	1532 \$
Exterior MATTE WHITE acrylic	EXT01M	1415 \$
Exterior MATTE CUSTOM COLOR	EXTXXM	2371 \$
Special Exterior Finish see Page 73	SWXX	2963 \$
Drain cover - Chrome	INF114	0 \$
Drain cover - White	INF101	184 \$
Drain cover - Matte Black	INF148M	184 \$
Chromatherapy lights	MLC	1145 \$
Floor drain for freestanding baths	FBQD	396 \$

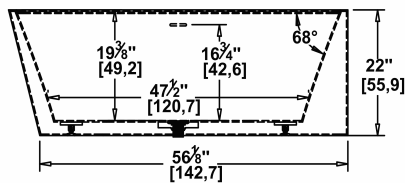
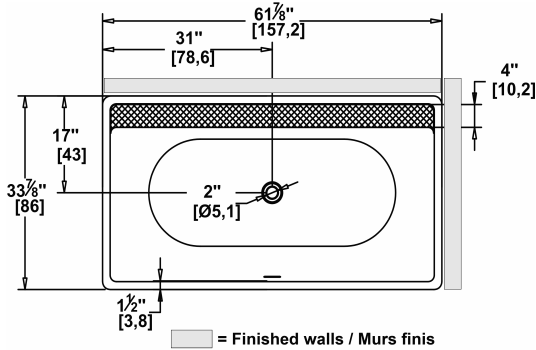
WARNING: The interior is available in white only.

Default exterior finish : white acrylic. The overflow is factory installed, the chrome drain is included but not installed. When ordered with AeroMassage, blower must be remote mounted. If system, delivered with keypad not installed and remote control is included. The Chromatherapy option is only available with the AeroMassage option.

**See the options chart on pages 70 to 73 of this document for all available colors and finishes

Rupert 62 SFL

Authentik Signature Series



Complete Technical specifications at www.oceania-attitude.com will prevail at all times

Right corner installation

62" x 34" x 22" [157,5 cm x 86,4 cm x 55,9 cm]
46 IMP Gal. / 60.00 US Gal. / 2,091.00 Liters

Retail price

Product Code	Model	Price
RU62SFL	Soaker	4,368 \$
Not available	Comfort air™	N/A
RU62SFLAM	AeroMassage™	8,137 \$
Not available	Super AeroMassage™	N/A
Not available	Linear cutout	N/A

Standard color : White(01)

Returns accepted on white product only

Options**

	Code	Add
Glossy black acrylic exterior	EXT48	1532 \$
Exterior MATTE WHITE acrylic	EXT01M	1415 \$
Exterior MATTE CUSTOM COLOR	EXTXXM	2371 \$
Special Exterior Finish see Page 73	SWXX	2963 \$
Drain cover - Chrome	INF114	0 \$
Drain cover - White	INF101	184 \$
Drain cover - Matte Black	INF148M	184 \$
Chromatherapy lights	MLC	1145 \$
Floor drain for freestanding baths	FBQD	396 \$

WARNING: The interior is available in white only.

Default exterior finish : white acrylic. The overflow is factory installed, the chrome drain is included but not installed. When ordered with AeroMassage, blower must be remote mounted. If system, delivered with keypad not installed and remote control is included. The Chromatherapy option is only available with the AeroMassage option.

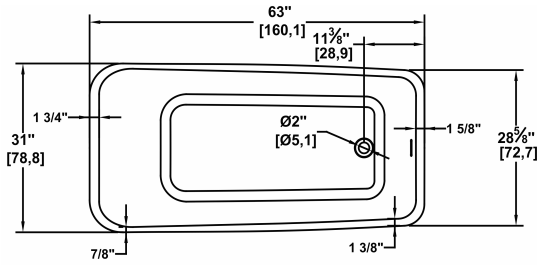
**See the options chart on pages 70 to 73 of this document for all available colors and finishes

Sikome 63 Freestanding

One-piece freestanding bath

63" x 31" x 28" [160,0 cm x 78,7 cm x 71,1 cm]
58,5 IMP Gal. / 76.30 US Gal. / 265.30 Liters

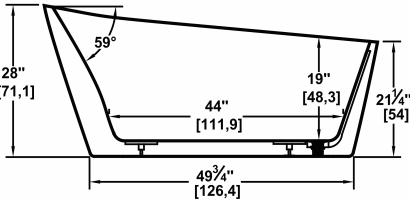
Authentik Signature Series



Product Code	Model	Price
SI63	Soaker	4,368 \$
Not available	Comfort air™	N/A
SI63AM	AeroMassage™	8,137 \$
Not available	Super AeroMassage™	N/A
Not available	Linear cutout	N/A

Standard color : White(01)

Returns accepted on white product only



Complete Technical specifications at www.oceania-attitude.com will prevail at all times

Options**	Code	Add
Glossy black acrylic exterior	EXT48	1532 \$
Exterior MATTE WHITE acrylic	EXT01M	1415 \$
Exterior MATTE CUSTOM COLOR	EXTXXM	2371 \$
Special Exterior Finish see Page 73	SWXX	2963 \$
Drain cover - Chrome	INF114	0 \$
Drain cover - White	INF101	184 \$
Drain cover - Matte Black	INF148M	184 \$
Chromatherapy lights	MLC	1145 \$
Floor drain for freestanding baths	FBQD	396 \$

WARNING: The interior is available in white only.

Default exterior finish : white acrylic. The overflow is factory installed, the chrome drain is included but not installed. When ordered with AeroMassage, blower must be remote mounted. If system, delivered with keypad not installed and remote control is included. The Chromatherapy option is only available with the AeroMassage option.

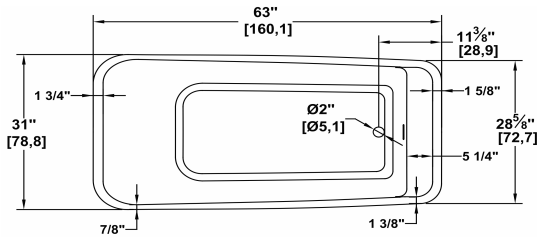
****See the options chart on pages 70 to 73 of this document for all available colors and finishes**

Sikome 63 deck mount faucets

One-piece freestanding bath

63" x 31" x 28" [160,0 cm x 78,7 cm x 71,1 cm]
55 IMP Gal. / 71.70 US Gal. / 250.00 Liters

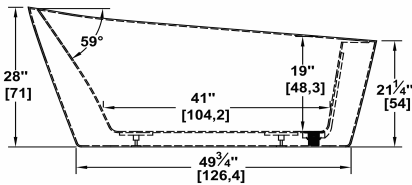
Authentik Signature Series



Product Code	Model	Price
SI63DMF	Soaker	4,368 \$
Not available	Comfort air™	N/A
SI63DMFAM	AeroMassage™	8,137 \$
Not available	Super AeroMassage™	N/A
Not available	Linear cutout	N/A

Standard color : White(01)

Returns accepted on white product only



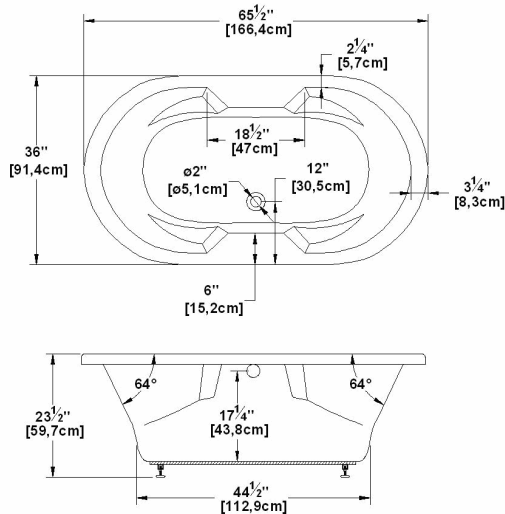
Complete Technical specifications at www.oceania-attitude.com will prevail at all times

Options**	Code	Add
Glossy black acrylic exterior	EXT48	1532 \$
Exterior MATTE WHITE acrylic	EXT01M	1415 \$
Exterior MATTE CUSTOM COLOR	EXTXXM	2371 \$
Special Exterior Finish see Page 73	SWXX	2963 \$
Drain cover - Chrome	INF114	0 \$
Drain cover - White	INF101	184 \$
Drain cover - Matte Black	INF148M	184 \$
Chromatherapy lights	MLC	1145 \$
Floor drain for freestanding baths	FBQD	396 \$

WARNING: The interior is available in white only.

Default exterior finish : white acrylic. The overflow is factory installed, the chrome drain is included but not installed. When ordered with AeroMassage, blower must be remote mounted. If system, delivered with keypad not installed and remote control is included. The Chromatherapy option is only available with the AeroMassage option.

****See the options chart on pages 70 to 73 of this document for all available colors and finishes**



Complete Technical specifications at www.oceania-attitude.com will prevail at all times

Retail price

Product Code	Model	Price
SO66	Soaker	2,603 \$
SO66CA	Comfort air™	4,337 \$
SO66AM	AeroMassage™	5,444 \$
SO66SA	Super AeroMassage™	6,740 \$
SO66LI	Linear cutout	2,603 \$

Standard color : White(01)

Returns accepted on white product only

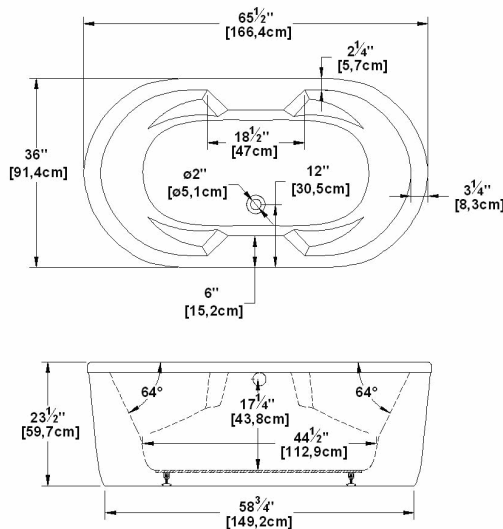
Options**

	Code	Add
White acrylic grab bar (each)	G01	216 \$
Acrylic Biscuit Color	INT02	1532 \$
Acrylic Black Color	INT48	1532 \$
Chromatherapy lights	MLC	1145 \$
White floating remote control	RC01	593 \$
Chrome Linear overflow and drain	BDW-114	359 \$
Drain & Overflow PVC / Chromed brass	WOCO14	371 \$

Keypad not installed when ordered with remote control. Only one grab bar can be factory installed.

**See the options chart on pages 70 to 73 of this document for all available colors and finishes

Sophia 66 Freestanding



Complete Technical specifications at www.oceania-attitude.com will prevail at all times

Retail price

Product Code	Model	Price
SO66FS	Soaker	4,204 \$
Not available	Comfort air™	N/A
SO66FSAM	AeroMassage™	6,380 \$
SO66FSSA	Super AeroMassage™	8,205 \$
SO66FSLI	Linear cutout	4,204 \$

Standard color : White(01)

Returns accepted on white product only

Options**

	Code	Add
White acrylic grab bar (each)	G01	216 \$
Glossy black acrylic exterior	EXT48	1532 \$
Exterior MATTE WHITE acrylic	EXT01M	1415 \$
Chromatherapy lights	MLC	1145 \$
White floating remote control	RC01	593 \$
Floor drain for freestanding baths	FBQD	396 \$
Chrome Linear overflow and drain	BDW-114	359 \$
Flexible Drain & Overflow / Chromed brass	WOCOSBS14	590 \$

WARNING: The interior is available in white only.

Default exterior finish : white acrylic. Over-flow must be installed with flexible piping. When ordered with AeroMassage or Super AeroMassage, blower must be remote mounted. Keypad not installed when ordered with remote control. Only one grab bar can be factory installed.

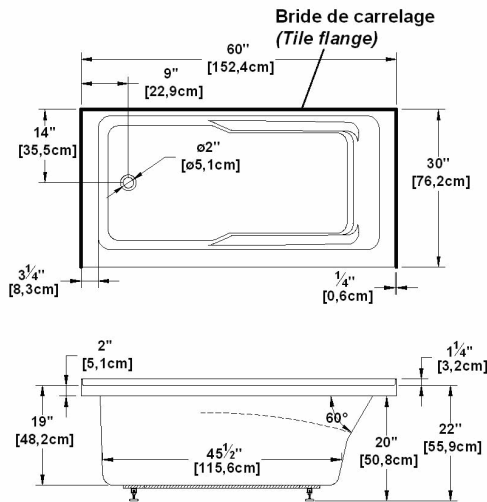
**See the options chart on pages 70 to 73 of this document for all available colors and finishes

Sublime 6030 (left hand drain)

Integrated tile flanges on 3 sides

60" x 30" x 22" [152,4 cm x 76,2 cm x 55,9 cm]
45 IMP Gal. / 58.70 US Gal. / 204.60 Liters

Alcove installation, flanges on 3 sides



Retail price

Product Code	Model	Price
SU6030L	Soaker	1,894 \$
SU6030LCA	Comfort air™	5,289 \$
SU6030LAM	AeroMassage™	6,041 \$
SU6030LSA	Super AeroMassage™	7,839 \$
SU6030LLI	Linear cutout	1,894 \$

Standard color : White(01)

Returns accepted on white product only

Complete Technical specifications at www.oceania-attitude.com will prevail at all times

Options**

	Code	Add
White acrylic grab bar (each)	G01	216 \$
Acrylic Biscuit Color	INT02	1532 \$
Acrylic Black Color	INT48	1532 \$
Removable White Skirt Panel for 60" baths	JA60	1166 \$
Chromatherapy lights	MLC	1145 \$
White floating remote control	RC01	593 \$
Chrome Linear overflow and drain	BDW-114	359 \$
Drain & Overflow PVC / Chromed brass	WOCO14	371 \$

WARNING: If this bath is multiple ordered nested, its height will be about 1-1/2" lower and will not have adjustable feet.

Integrated acrylic tile flanges. If system, delivered with keypad not installed.

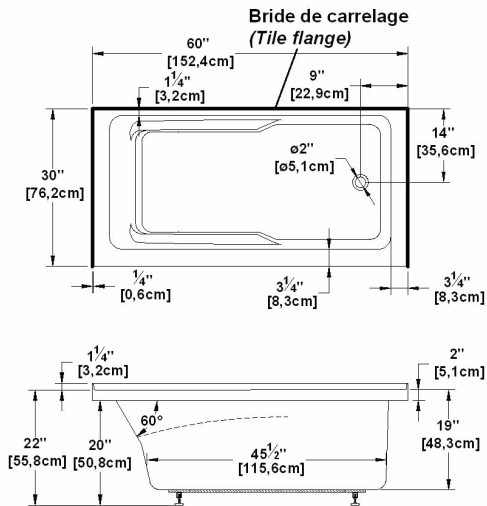
**See the options chart on pages 70 to 73 of this document for all available colors and finishes

Sublime 6030 (right hand drain)

Integrated tile flanges on 3 sides

60" x 30" x 22" [152,4 cm x 76,2 cm x 55,9 cm]
45 IMP Gal. / 58.70 US Gal. / 204.60 Liters

Alcove installation, flanges on 3 sides



Retail price

Product Code	Model	Price
SU6030R	Soaker	1,894 \$
SU6030RCA	Comfort air™	5,289 \$
SU6030RAM	AeroMassage™	6,041 \$
SU6030RSA	Super AeroMassage™	7,839 \$
SU6030RLI	Linear cutout	1,894 \$

Standard color : White(01)

Returns accepted on white product only

Complete Technical specifications at www.oceania-attitude.com will prevail at all times

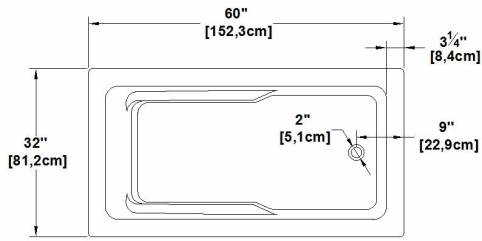
Options**

	Code	Add
White acrylic grab bar (each)	G01	216 \$
Acrylic Biscuit Color	INT02	1532 \$
Acrylic Black Color	INT48	1532 \$
Removable White Skirt Panel for 60" baths	JA60	1166 \$
Chromatherapy lights	MLC	1145 \$
White floating remote control	RC01	593 \$
Chrome Linear overflow and drain	BDW-114	359 \$
Drain & Overflow PVC / Chromed brass	WOCO14	371 \$

WARNING: If this bath is multiple ordered nested, its height will be about 1-1/2" lower and will not have adjustable feet.

Integrated acrylic tile flanges. If system, delivered with keypad not installed.

**See the options chart on pages 70 to 73 of this document for all available colors and finishes

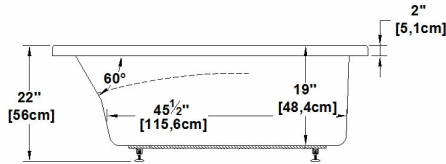


Retail price

Product Code	Model	Price
SU6032	Soaker	1,894 \$
SU6032CA	Comfort air™	5,087 \$
SU6032AM	AeroMassage™	6,041 \$
SU6032SA	Super AeroMassage™	7,890 \$
SU6032LI	Linear cutout	1,894 \$

Standard color : White(01)

Returns accepted on white product only



Complete Technical specifications at www.oceania-attitude.com will prevail at all times

Options**

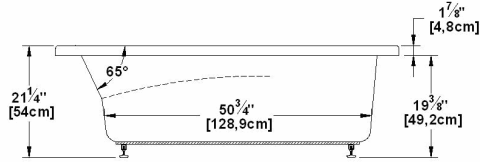
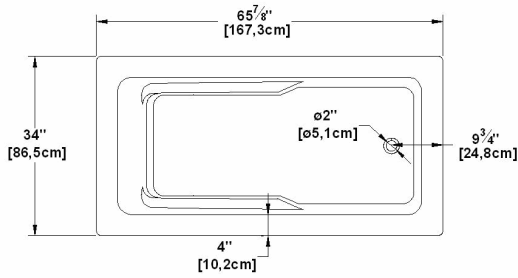
	Code	Add
White acrylic grab bar (each)	G01	216 \$
Acrylic Biscuit Color	INT02	1532 \$
Acrylic Black Color	INT48	1532 \$
Removable White Skirt Panel for 60" baths	JA60	1166 \$
Low-Profile bath lip	LP	329 \$
Chromatherapy lights	MLC	1145 \$
White floating remote control	RC01	593 \$
Tile flange for baths, see page 55	TF	228 \$
Chrome Linear overflow and drain	BDW-114	359 \$
Drain & Overflow PVC / Chromed brass	WOCO14	371 \$

WARNING: If this bath is multiple ordered nested, its height will be about 1-1/2" lower and will not have adjustable feet.

Keypad supplied but not installed when ordered with tile flanges or remote control.

**See the options chart on pages 70 to 73 of this document for all available colors and finishes

oceania
water • attitude



Complete Technical specifications at www.oceania-attitude.com will prevail at all times

Retail price

Product Code	Model	Price
SU6634	Soaker	2,078 \$
SU6634CA	Comfort air™	5,358 \$
SU6634AM	AeroMassage™	6,872 \$
SU6634SA	Super AeroMassage™	8,245 \$
SU6634LI	Linear cutout	2,078 \$

Standard color : White(01)

Returns accepted on white product only

Options**

	Code	Add
White acrylic grab bar (each)	G01	216 \$
Acrylic Biscuit Color	INT02	1532 \$
Acrylic Black Color	INT48	1532 \$
Removable White Skirt Panel for 66" baths	JA66	1222 \$
Low-Profile bath lip	LP	329 \$
Chromatherapy lights	MLC	1145 \$
White floating remote control	RC01	593 \$
Tile flange for baths, see page 55	TF	228 \$
Chrome Linear overflow and drain	BDW-114	359 \$
Drain & Overflow PVC / Chromed brass	WOCO14	371 \$

WARNING: If this bath is multiple ordered nested, its height will be about 1-1/2" lower and will not have adjustable feet.

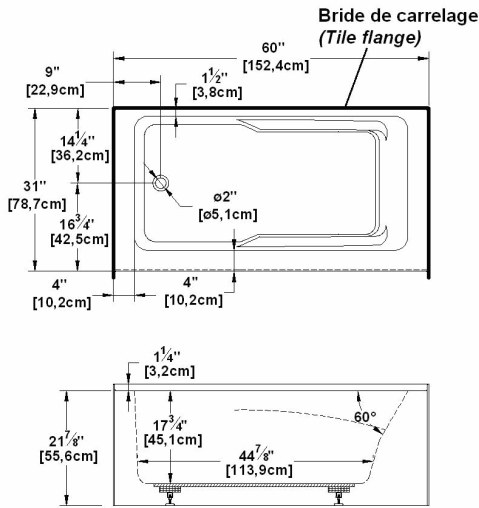
Keypad supplied but not installed when ordered with tile flanges or remote control.

****See the options chart on pages 70 to 73 of this document for all available colors and finishes**

oceania
water • attitude

Suite 6031 L-SF

Left hand drain, 1 Skirt (Front)



Complete Technical specifications at www.oceania-attitude.com will prevail at all times

1 integrated skirt

60" x 31" x 22" [152,4 cm x 78,7 cm x 55,9 cm]
40 IMP Gal. / 522.00 US Gal. / 1,818.00 Liters

Retail price

Product Code	Model	Price
SU6031LSF	Soaker	2,562 \$
SU6031LSFCA	Comfort air™	6,305 \$
SU6031LSFAM	AeroMassage™	6,943 \$
SU6031LSFSA	Super AeroMassage™	8,797 \$
SU6031LSFLI	Linear cutout	2,562 \$

Standard color : White(01)

Returns accepted on white product only

Options**

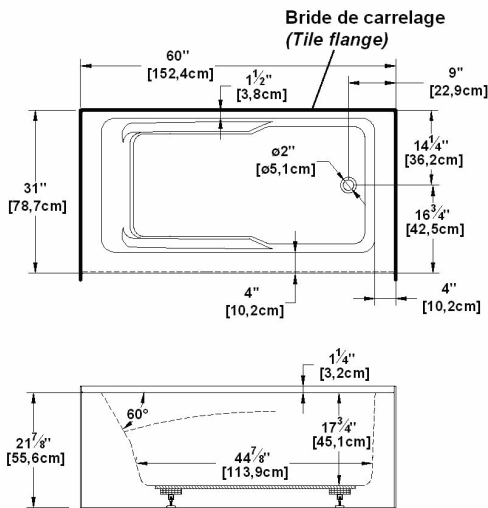
	Code	Add
White acrylic grab bar (each)	G01	216 \$
Chromatherapy lights	MLC	1145 \$
White floating remote control	RC01	593 \$
Chrome Linear overflow and drain	BDW-114	359 \$
Drain & Overflow PVC / Chromed brass	WOCO14	371 \$

Integrated acrylic tile flanges. If system, delivered with keypad not installed. Available in white only. Only one grab bar can be factory installed.

****See the options chart on pages 70 to 73 of this document for all available colors and finishes**

Suite 6031 R-SF

Right hand drain, 1 Skirt (Front)



Complete Technical specifications at www.oceania-attitude.com will prevail at all times

1 integrated skirt

60" x 31" x 22" [152,4 cm x 78,7 cm x 55,9 cm]
40 IMP Gal. / 522.00 US Gal. / 1,818.00 Liters

Retail price

Product Code	Model	Price
SU6031RSF	Soaker	2,562 \$
SU6031RSFCA	Comfort air™	6,305 \$
SU6031RSFAM	AeroMassage™	6,943 \$
SU6031RSFSA	Super AeroMassage™	8,797 \$
SU6031RSFLI	Linear cutout	2,562 \$

Standard color : White(01)

Returns accepted on white product only

Options**

	Code	Add
White acrylic grab bar (each)	G01	216 \$
Chromatherapy lights	MLC	1145 \$
White floating remote control	RC01	593 \$
Chrome Linear overflow and drain	BDW-114	359 \$
Drain & Overflow PVC / Chromed brass	WOCO14	371 \$

Integrated acrylic tile flanges. If system, delivered with keypad not installed. Available in white only. Only one grab bar can be factory installed.

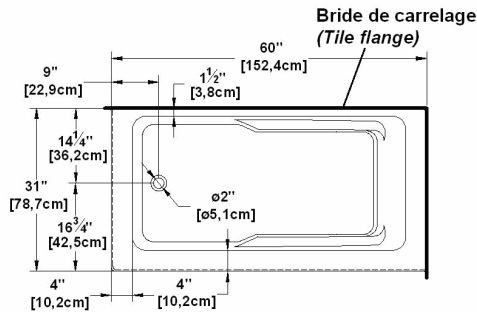
****See the options chart on pages 70 to 73 of this document for all available colors and finishes**

Suite 6031LSFL (left drain)

Authentik Signature Series

2 Skirts (Front and Left)

60" x 31" x 22" [152,4 cm x 78,7 cm x 55,9 cm]
40 IMP Gal. / 52.20 US Gal. / 181.80 Liters



Complete Technical specifications at www.oceania-attitude.com will prevail at all times

Retail price

Product Code	Model	Price
SU6031LSFL	Soaker	3,441 \$
SU6031LSFLCA	Comfort air™	6,999 \$
SU6031LSFLAM	AeroMassage™	7,558 \$
SU6031LSFLSA	Super AeroMassage™	9,410 \$
SU6031LSFLLI	Linear cutout	3,441 \$

Standard color : White(01)

Returns accepted on white product only

Options**

	Code	Add
Exterior MATTE CUSTOM COLOR	EXTXXM	2371 \$
Special Exterior Finish see Page 73	SWXX	2963 \$
White acrylic grab bar (each)	G01	216 \$
Chromatherapy lights	MLC	1145 \$
White floating remote control	RC01	593 \$
Installation panel DRAIN side	TI-DR	404 \$
Floor drain for freestanding baths	FBQD	396 \$
Chrome Linear overflow and drain	BDW-114	359 \$
Flexible Drain & Overflow / Chromed brass	WOCOSBS14	590 \$

WARNING: The installation panel TI-DR is mandatory with the BDW series of drains.

Integrated acrylic tile flanges. If system, delivered with keypad not installed and blower must be remote mounted. Available in white only. Only one grab bar can be factory installed. Special Finish not available when ordered with installation panel.

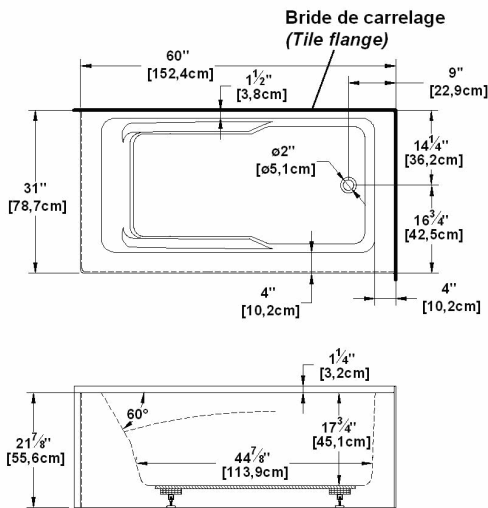
**See the options chart on pages 70 to 73 of this document for all available colors and finishes

Suite 6031RSFL (right drain)

Authentik Signature Series

2 Skirts (Front and Left)

60" x 31" x 22" [152,4 cm x 78,7 cm x 55,9 cm]
40 IMP Gal. / 52.20 US Gal. / 181.80 Liters



Complete Technical specifications at www.oceania-attitude.com will prevail at all times

Retail price

Product Code	Model	Price
SU6031RSFL	Soaker	3,441 \$
SU6031RSFLCA	Comfort air™	6,999 \$
SU6031RSFLAM	AeroMassage™	7,558 \$
SU6031RSFLSA	Super AeroMassage™	9,410 \$
SU6031RSFLLI	Linear cutout	3,441 \$

Standard color : White(01)

Returns accepted on white product only

Options**

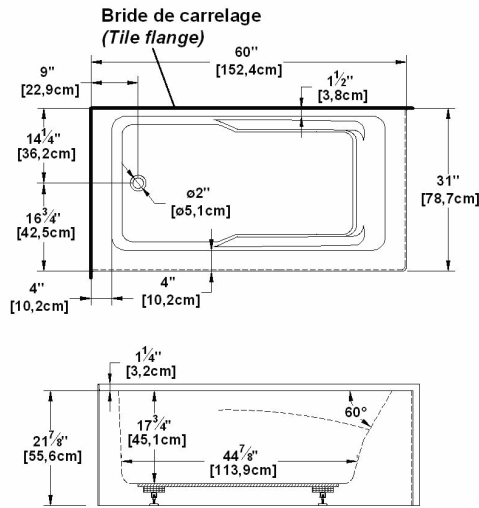
	Code	Add
Exterior MATTE CUSTOM COLOR	EXTXXM	2371 \$
Special Exterior Finish see Page 73	SWXX	2963 \$
White acrylic grab bar (each)	G01	216 \$
Chromatherapy lights	MLC	1145 \$
White floating remote control	RC01	593 \$
Installation panel BACK REST side	TI-DO	404 \$
Chrome Linear overflow and drain	BDW-114	359 \$
Drain & Overflow PVC / Chromed brass	WOCO14	371 \$

Integrated acrylic tile flanges. If system, delivered with keypad not installed and blower must be remote mounted. Available in white only. Only one grab bar can be factory installed. Special Finish not available when ordered with installation panel.

**See the options chart on pages 70 to 73 of this document for all available colors and finishes

Suite 6031LSFR (left drain)

Authentik Signature Series



Complete Technical specifications at www.oceania-attitude.com will prevail at all times

2 Skirts (Front and Right)

60" x 31" x 22" [152.4 cm x 78.7 cm x 55.9 cm]
40 IMP Gal. / 52.20 US Gal. / 181.80 Liters

Retail price

Product Code	Model	Price
SU6031LSFR	Soaker	3,441 \$
SU6031LSFRCA	Comfort air™	6,999 \$
SU6031LSFRAM	AeroMassage™	7,558 \$
SU6031LSFRSA	Super AeroMassage™	9,410 \$
SU6031LSFRLI	Linear cutout	3,441 \$

Standard color : White(01)

Returns accepted on white product only

Options**

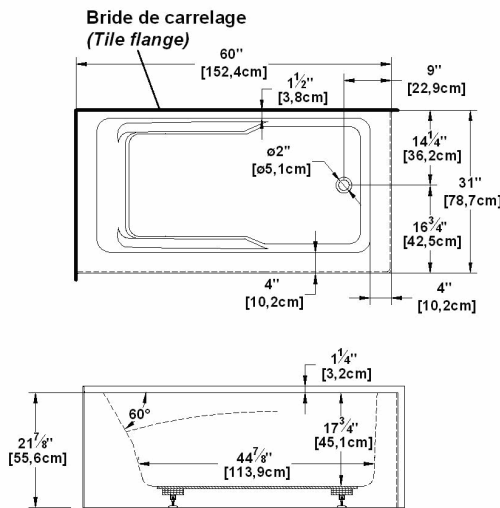
	Code	Add
Exterior MATTE CUSTOM COLOR	EXTXXM	2371 \$
Special Exterior Finish see Page 73	SWXX	2963 \$
White acrylic grab bar (each)	G01	216 \$
Chromatherapy lights	MLC	1145 \$
White floating remote control	RC01	593 \$
Installation panel BACK REST side	TI-DO	404 \$
Chrome Linear overflow and drain	BDW-114	359 \$
Drain & Overflow PVC / Chromed brass	WOCO14	371 \$

Integrated acrylic tile flanges. If system, delivered with keypad not installed and blower must be remote mounted. Available in white only. Only one grab bar can be factory installed. Special Finish not available when ordered with installation panel.

****See the options chart on pages 70 to 73 of this document for all available colors and finishes**

Suite 6031RSFR (right drain)

Authentik Signature Series



Complete Technical specifications at www.oceania-attitude.com will prevail at all times

2 Skirts (Front and Right)

60" x 31" x 22" [152.4 cm x 78.7 cm x 55.9 cm]
40 IMP Gal. / 52.20 US Gal. / 181.80 Liters

Retail price

Product Code	Model	Price
SU6031RSFR	Soaker	3,441 \$
SU6031RSFRCA	Comfort air™	6,999 \$
SU6031RSFRAM	AeroMassage™	7,558 \$
SU6031RSFRSA	Super AeroMassage™	9,410 \$
SU6031RSFRLI	Linear cutout	3,441 \$

Standard color : White(01)

Returns accepted on white product only

Options**

	Code	Add
Exterior MATTE CUSTOM COLOR	EXTXXM	2371 \$
Special Exterior Finish see Page 73	SWXX	2963 \$
White acrylic grab bar (each)	G01	216 \$
Chromatherapy lights	MLC	1145 \$
White floating remote control	RC01	593 \$
Installation panel DRAIN side	TI-DR	404 \$
Floor drain for freestanding baths	FBQD	396 \$
Chrome Linear overflow and drain	BDW-114	359 \$
Flexible Drain & Overflow / Chromed brass	WOCOSBS14	590 \$

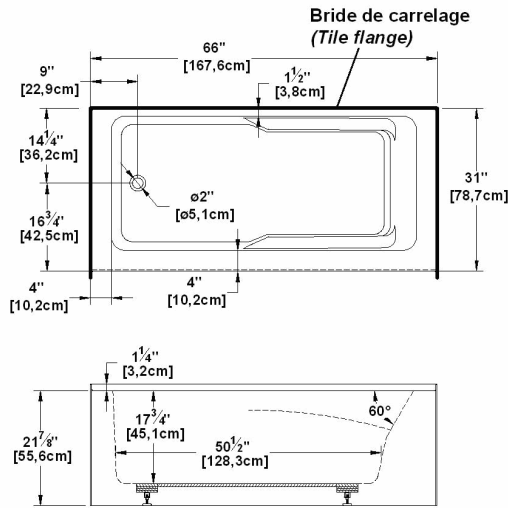
WARNING: The installation panel TI-DR is mandatory with the BDW series of drains.

Integrated acrylic tile flanges. If system, delivered with keypad not installed and blower must be remote mounted. Available in white only. Only one grab bar can be factory installed. Special Finish not available when ordered with installation panel.

****See the options chart on pages 70 to 73 of this document for all available colors and finishes**

Suite 6631 L-SF

Left hand drain, 1 Skirt (Front)



1 integrated skirt

66" x 31" x 22" [167,6 cm x 78,7 cm x 55,9 cm]
44 IMP Gal. / 57.40 US Gal. / 200.00 Liters

Retail price

Product Code	Model	Price
SU6631LSF	Soaker	3,953 \$
SU6631LSFCA	Comfort air™	6,776 \$
SU6631LSFAM	AeroMassage™	7,489 \$
SU6631LSFSA	Super AeroMassage™	9,079 \$
SU6631LSFLI	Linear cutout	3,953 \$

Standard color : White(01)

Returns accepted on white product only

Options**

	Code	Add
White acrylic grab bar (each)	G01	216 \$
Chromatherapy lights	MLC	1145 \$
White floating remote control	RC01	593 \$
Chrome Linear overflow and drain	BDW-114	359 \$
Drain & Overflow PVC / Chromed brass	WOCO14	371 \$

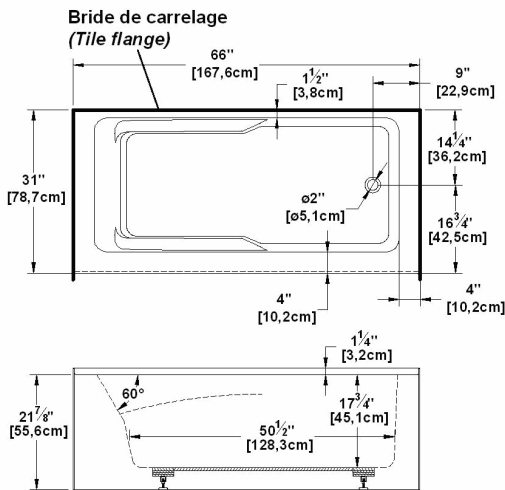
Complete Technical specifications at www.oceania-attitude.com will prevail at all times

Integrated acrylic tile flanges. If system, delivered with keypad not installed. Available in white only. Only one grab bar can be factory installed.

****See the options chart on pages 70 to 73 of this document for all available colors and finishes**

Suite 6631 R-SF

Right hand drain, 1 Skirt (Front)



1 integrated skirt

66" x 31" x 22" [167,6 cm x 78,7 cm x 55,9 cm]
44 IMP Gal. / 57.40 US Gal. / 200.00 Liters

Retail price

Product Code	Model	Price
SU6631RSF	Soaker	3,953 \$
SU6631RSFCA	Comfort air™	6,776 \$
SU6631RSFAM	AeroMassage™	7,489 \$
SU6631RSFSA	Super AeroMassage™	9,079 \$
SU6631RSFLI	Linear cutout	3,953 \$

Standard color : White(01)

Returns accepted on white product only

Options**

	Code	Add
White acrylic grab bar (each)	G01	216 \$
Chromatherapy lights	MLC	1145 \$
White floating remote control	RC01	593 \$
Chrome Linear overflow and drain	BDW-114	359 \$
Drain & Overflow PVC / Chromed brass	WOCO14	371 \$

Complete Technical specifications at www.oceania-attitude.com will prevail at all times

Integrated acrylic tile flanges. If system, delivered with keypad not installed. Available in white only. Only one grab bar can be factory installed.

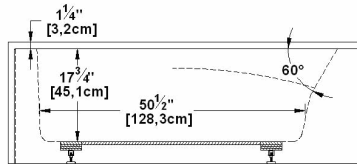
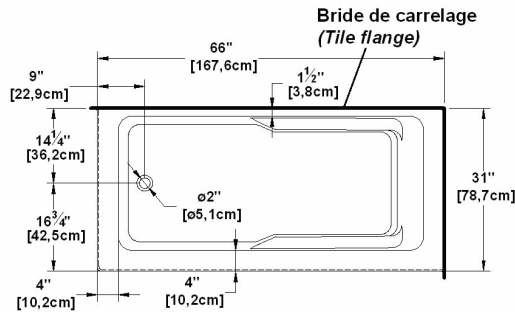
****See the options chart on pages 70 to 73 of this document for all available colors and finishes**

Suite 6631LSFL (left drain)

2 Skirts (Front and Left)

66" x 31" x 22" [167,6 cm x 78,7 cm x 55,9 cm]
44 IMP Gal. / 57.40 US Gal. / 200.00 Liters

Authentik Signature Series



Complete Technical specifications at www.oceania-attitude.com will prevail at all times

Retail price

Product Code	Model	Price
SU6631LSFL	Soaker	4,751 \$
SU6631LSFLCA	Comfort air™	7,529 \$
SU6631LSFLAM	AeroMassage™	8,155 \$
SU6631LSFLSA	Super AeroMassage™	9,749 \$
SU6631LSFLLI	Linear cutout	4,751 \$

Standard color : White(01)

Returns accepted on white product only

Options**

	Code	Add
Exterior MATTE CUSTOM COLOR	EXTXXM	2371 \$
Special Exterior Finish see Page 73	SWXX	2963 \$
White acrylic grab bar (each)	G01	216 \$
Chromatherapy lights	MLC	1145 \$
White floating remote control	RC01	593 \$
Installation panel DRAIN side	TI-DR	404 \$
Floor drain for freestanding baths	FBQD	396 \$
Chrome Linear overflow and drain	BDW-114	359 \$
Flexible Drain & Overflow / Chromed brass	WOCOSBS14	590 \$

WARNING: The installation panel TI-DR is mandatory with the BDW series of drains.

Integrated acrylic tile flanges. If system, delivered with keypad not installed and blower must be remote mounted. Available in white only. Only one grab bar can be factory installed. Special Finish not available when ordered with installation panel.

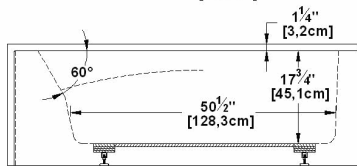
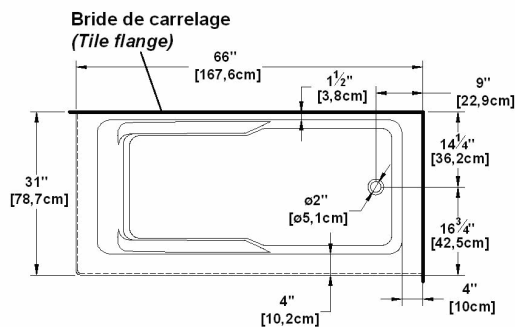
**See the options chart on pages 70 to 73 of this document for all available colors and finishes

Suite 6631RSFL (right drain)

2 Skirts (Front and Left)

66" x 31" x 22" [167,6 cm x 78,7 cm x 55,9 cm]
44 IMP Gal. / 57.40 US Gal. / 200.00 Liters

Authentik Signature Series



Complete Technical specifications at www.oceania-attitude.com will prevail at all times

Retail price

Product Code	Model	Price
SU6631RSFL	Soaker	4,751 \$
SU6631RSFLCA	Comfort air™	7,529 \$
SU6631RSFLAM	AeroMassage™	8,155 \$
SU6631RSFLSA	Super AeroMassage™	9,749 \$
SU6631RSFLLI	Linear cutout	4,751 \$

Standard color : White(01)

Returns accepted on white product only

Options**

	Code	Add
Exterior MATTE CUSTOM COLOR	EXTXXM	2371 \$
Special Exterior Finish see Page 73	SWXX	2963 \$
White acrylic grab bar (each)	G01	216 \$
Chromatherapy lights	MLC	1145 \$
White floating remote control	RC01	593 \$
Installation panel BACK REST side	TI-DO	404 \$
Chrome Linear overflow and drain	BDW-114	359 \$
Drain & Overflow PVC / Chromed brass	WOCO14	371 \$

Integrated acrylic tile flanges. If system, delivered with keypad not installed and blower must be remote mounted. Available in white only. Only one grab bar can be factory installed. Special Finish not available when ordered with installation panel.

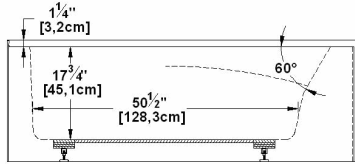
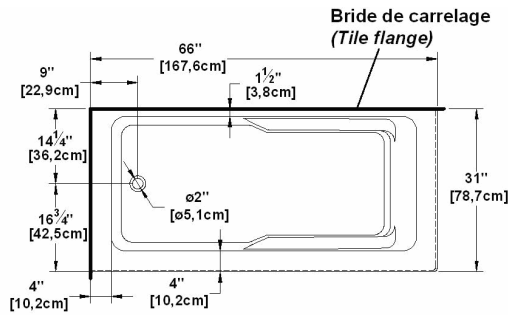
**See the options chart on pages 70 to 73 of this document for all available colors and finishes

Suite 6631LSFR (left drain)

2 Skirts (Front and Right)

66" x 31" x 22" [167,6 cm x 78,7 cm x 55,9 cm]
44 IMP Gal. / 57.40 US Gal. / 200.00 Liters

Authentik Signature Series



Complete Technical specifications at www.oceania-attitude.com will prevail at all times

Retail price

Product Code	Model	Price
SU6631LSFR	Soaker	4,751 \$
SU6631LSFRCA	Comfort air™	7,529 \$
SU6631LSFRAM	AeroMassage™	8,155 \$
SU6631LSFRSA	Super AeroMassage™	9,749 \$
SU6631LSFRLI	Linear cutout	4,751 \$

Standard color : White(01)

Returns accepted on white product only

Options**

	Code	Add
Exterior MATTE CUSTOM COLOR	EXTXXM	2371 \$
Special Exterior Finish see Page 73	SWXX	2963 \$
White acrylic grab bar (each)	G01	216 \$
Chromatherapy lights	MLC	1145 \$
White floating remote control	RC01	593 \$
Installation panel BACK REST side	TI-DO	404 \$
Chrome Linear overflow and drain	BDW-114	359 \$
Drain & Overflow PVC / Chromed brass	WOCO14	371 \$

Integrated acrylic tile flanges. If system, delivered with keypad not installed and blower must be remote mounted. Available in white only. Only one grab bar can be factory installed. Special Finish not available when ordered with installation panel.

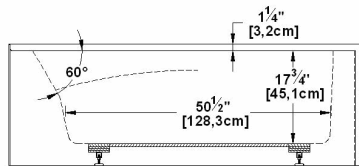
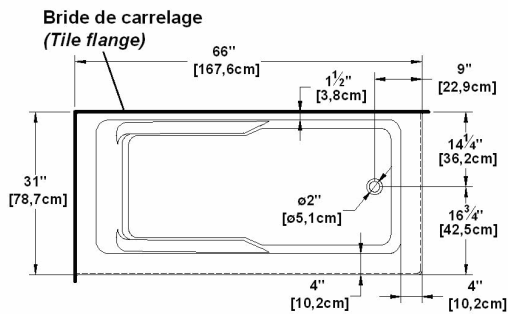
****See the options chart on pages 70 to 73 of this document for all available colors and finishes**

Suite 6631RSFR (right drain)

2 Skirts (Front and Right)

66" x 31" x 22" [167,6 cm x 78,7 cm x 55,9 cm]
44 IMP Gal. / 57.40 US Gal. / 200.00 Liters

Authentik Signature Series



Complete Technical specifications at www.oceania-attitude.com will prevail at all times

Retail price

Product Code	Model	Price
SU6631RSFR	Soaker	4,751 \$
SU6631RSFRCA	Comfort air™	7,529 \$
SU6631RSFRAM	AeroMassage™	8,155 \$
SU6631RSFRSA	Super AeroMassage™	9,749 \$
SU6631RSFRLI	Linear cutout	4,751 \$

Standard color : White(01)

Returns accepted on white product only

Options**

	Code	Add
Exterior MATTE CUSTOM COLOR	EXTXXM	2371 \$
Special Exterior Finish see Page 73	SWXX	2963 \$
White acrylic grab bar (each)	G01	216 \$
Chromatherapy lights	MLC	1145 \$
White floating remote control	RC01	593 \$
Installation panel DRAIN side	TI-DR	404 \$
Floor drain for freestanding baths	FBQD	396 \$
Chrome Linear overflow and drain	BDW-114	359 \$
Flexible Drain & Overflow / Chromed brass	WOCOSBS14	590 \$

WARNING: The installation panel TI-DR is mandatory with the BDW series of drains.

Integrated acrylic tile flanges. If system, delivered with keypad not installed and blower must be remote mounted. Available in white only. Only one grab bar can be factory installed. Special Finish not available when ordered with installation panel.

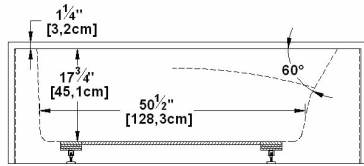
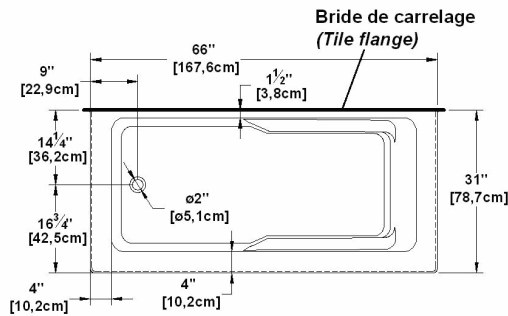
****See the options chart on pages 70 to 73 of this document for all available colors and finishes**

Suite 6631LSFLR (left drain)

3 Skirts (Front, Left and Right)

66" x 31" x 22" [167,6 cm x 78,7 cm x 55,9 cm]
44 IMP Gal. / 57.40 US Gal. / 200.00 Liters

Authentik Signature Series



Complete Technical specifications at www.oceania-attitude.com will prevail at all times

Retail price

Product Code	Model	Price
SU6631LSFLR	Soaker	5,126 \$
SU6631LSFLRCA	Comfort air™	7,996 \$
SU6631LSFLRAM	AeroMassage™	8,570 \$
SU6631LSFLRSA	Super AeroMassage™	10,124 \$
SU6631LSFLRLI	Linear cutout	5,126 \$

Standard color : White(01)

Returns accepted on white product only

Options**

	Code	Add
Exterior MATTE CUSTOM COLOR	EXTXXM	2371 \$
Special Exterior Finish see Page 73	SWXX	2963 \$
White acrylic grab bar (each)	G01	216 \$
Chromatherapy lights	MLC	1145 \$
White floating remote control	RC01	593 \$
Installation panel BACK REST side	TI-DO	404 \$
Installation panel DRAIN side	TI-DR	404 \$
Floor drain for freestanding baths	FBQD	396 \$
Chrome Linear overflow and drain	BDW-114	359 \$
Flexible Drain & Overflow / Chromed brass	WOCOSBS14	590 \$

WARNING: The installation panel TI-DR is mandatory with the BDW series of drains.

Integrated acrylic tile flanges. If system, delivered with keypad not installed and blower must be remote mounted. Available in white only. Only one grab bar can be factory installed. Special Finish not available when ordered with installation panel.

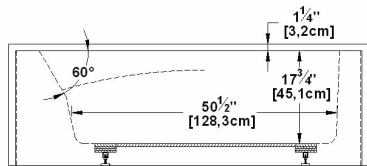
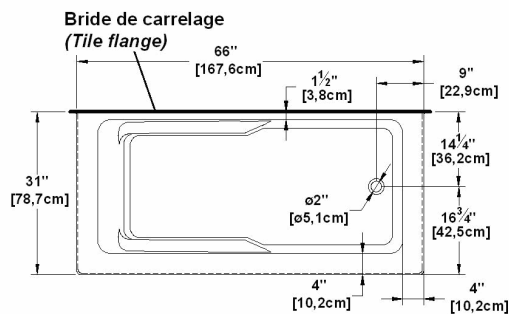
**See the options chart on pages 70 to 73 of this document for all available colors and finishes

Suite 6631RSFLR (right drain)

3 Skirts (Front, Left and Right)

66" x 31" x 22" [167,6 cm x 78,7 cm x 55,9 cm]
44 IMP Gal. / 57.40 US Gal. / 200.00 Liters

Authentik Signature Series



Complete Technical specifications at www.oceania-attitude.com will prevail at all times

Retail price

Product Code	Model	Price
SU6631RSFLR	Soaker	5,126 \$
SU6631RSFLRCA	Comfort air™	7,996 \$
SU6631RSFLRAM	AeroMassage™	8,570 \$
SU6631RSFLRSA	Super AeroMassage™	10,124 \$
SU6631RSFLRLI	Linear cutout	5,126 \$

Standard color : White(01)

Returns accepted on white product only

Options**

	Code	Add
Exterior MATTE CUSTOM COLOR	EXTXXM	2371 \$
Special Exterior Finish see Page 73	SWXX	2963 \$
White acrylic grab bar (each)	G01	216 \$
Chromatherapy lights	MLC	1145 \$
White floating remote control	RC01	593 \$
Installation panel BACK REST side	TI-DO	404 \$
Installation panel DRAIN side	TI-DR	404 \$
Floor drain for freestanding baths	FBQD	396 \$
Chrome Linear overflow and drain	BDW-114	359 \$
Flexible Drain & Overflow / Chromed brass	WOCOSBS14	590 \$

WARNING: The installation panel TI-DR is mandatory with the BDW series of drains.

Integrated acrylic tile flanges. If system, delivered with keypad not installed and blower must be remote mounted. Available in white only. Only one grab bar can be factory installed. Special Finish not available when ordered with installation panel.

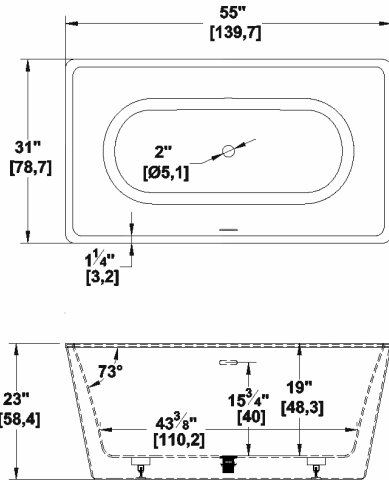
**See the options chart on pages 70 to 73 of this document for all available colors and finishes

Tahoe 55 Freestanding

Authentik Signature Series

One-piece freestanding bath

55" x 31" x 23" [139,7 cm x 78,7 cm x 58,4 cm]
47 IMP Gal. / 61.30 US Gal. / 213.70 Liters



Complete Technical specifications at www.oceania-attitude.com will prevail at all times

Retail price

Product Code	Model	Price
TA55	Soaker	4,281 \$
Not available	Comfort air™	N/A
TA55AM	AeroMassage™	8,060 \$
Not available	Super AeroMassage™	N/A
Not available	Linear cutout	N/A

Standard color : White(01)

Returns accepted on white product only

Options**

	Code	Add
Glossy black acrylic exterior	EXT48	1532 \$
Exterior MATTE WHITE acrylic	EXT01M	1415 \$
Exterior MATTE CUSTOM COLOR	EXTXXM	2371 \$
Special Exterior Finish see Page 73	SWXX	2963 \$
Drain cover - Chrome	INF114	0 \$
Drain cover - White	INF101	184 \$
Drain cover - Matte Black	INF148M	184 \$
Chromatherapy lights	MLC	1145 \$
Floor drain for freestanding baths	FBQD	396 \$

WARNING: The interior is available in white only.

Default exterior finish : white acrylic. The overflow is factory installed, the chrome drain is included but not installed. When ordered with AeroMassage, blower must be remote mounted. If system, delivered with keypad not installed and remote control is included. The Chromatherapy option is only available with the AeroMassage option.

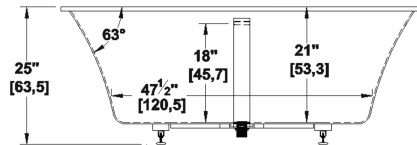
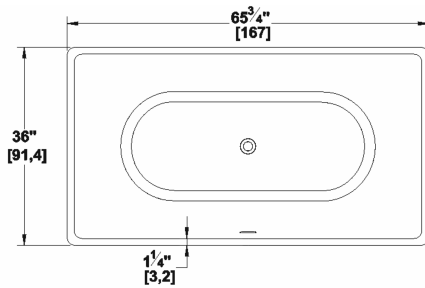
****See the options chart on pages 70 to 73 of this document for all available colors and finishes**

oceania
water • attitude

Tahoe 66 Podium

Authentik Signature Series

65,75" x 36" x 25" [167,0 cm x 91,4 cm x 63,5 cm]
72 IMP Gal. / 93.90 US Gal. / 327.30 Liters



Complete Technical specifications at www.oceania-attitude.com will prevail at all times

WARNING: Faucets must be installed on the wall, deck or floor (not on bath).

The overflow is factory installed, the chrome drain is included but not installed. When ordered with AeroMassage, blower must be remote mounted. If system, delivered with keypad not installed and remote control is included. The Chromotherapy option is only available with the AeroMassage option.

****See the options chart on pages 70 to 73 of this document for all available colors and finishes**

Retail price

Product Code	Model	Price
TAP66	Soaker	2,553 \$
Not available	Comfort air™	N/A
TAP66AM	AeroMassage™	6,943 \$
Not available	Super AeroMassage™	N/A
Not available	Linear cutout	N/A

Standard color : White(01)

Returns accepted on white product only

Options**

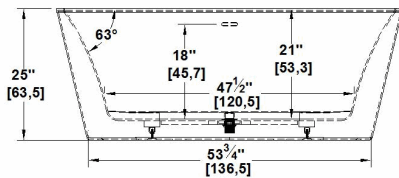
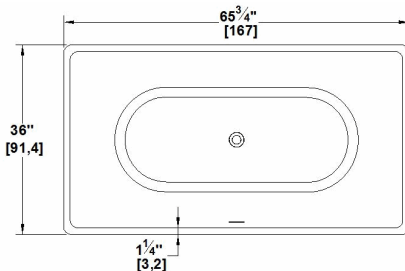
	Code	Add
Acrylic Biscuit Color	INT02	1532 \$
Acrylic Black Color	INT48	1532 \$
Drain cover - Chrome	INF114	0 \$
Drain cover - White	INF101	184 \$
Drain cover - Matte Black	INF148M	184 \$
Chromotherapy lights	MLC	1145 \$

Tahoe 66 Freestanding

Authentik Signature Series

One-piece freestanding bath

65,75" x 36" x 25" [167,0 cm x 91,4 cm x 63,5 cm]
72 IMP Gal. / 93.90 US Gal. / 327.30 Liters



Complete Technical specifications at www.oceania-attitude.com will prevail at all times

WARNING: The interior is available in white only.

Default exterior finish : white acrylic. The overflow is factory installed, the chrome drain is included but not installed. When ordered with AeroMassage, blower must be remote mounted. If system, delivered with keypad not installed and remote control is included. The Chromotherapy option is only available with the AeroMassage option.

****See the options chart on pages 70 to 73 of this document for all available colors and finishes**

Retail price

Product Code	Model	Price
TA66	Soaker	4,704 \$
Not available	Comfort air™	N/A
TA66AM	AeroMassage™	8,599 \$
Not available	Super AeroMassage™	N/A
Not available	Linear cutout	N/A

Standard color : White(01)

Returns accepted on white product only

Options**

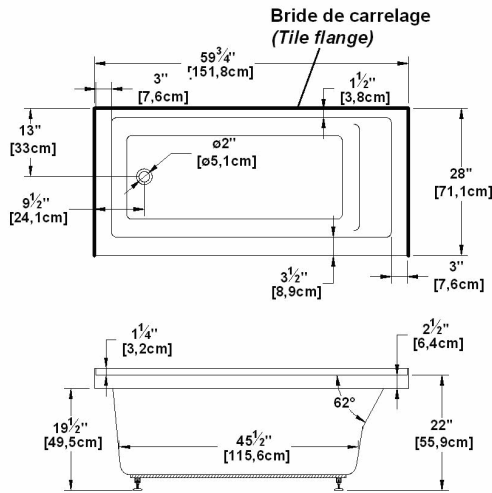
	Code	Add
Glossy black acrylic exterior	EXT48	1532 \$
Exterior MATTE WHITE acrylic	EXT01M	1415 \$
Exterior MATTE CUSTOM COLOR	EXTXXM	2371 \$
Special Exterior Finish see Page 73	SWXX	2963 \$
Drain cover - Chrome	INF114	0 \$
Drain cover - White	INF101	184 \$
Drain cover - Matte Black	INF148M	184 \$
Chromotherapy lights	MLC	1145 \$
Floor drain for freestanding baths	FBQD	396 \$

Unity 28 (left hand drain)

Alcove installation, flanges on 3 sides

Integrated tile flanges on 3 sides

60" x 28" x 22" [152,4 cm x 71,1 cm x 55,9 cm]
45 IMP Gal. / 58.70 US Gal. / 204.60 Liters



Retail price

Product Code	Model	Price
UN28L	Soaker	1,894 \$
UN28LCA	Comfort air™	4,774 \$
UN28LAM	AeroMassage™	5,808 \$
Not available	Super AeroMassage™	N/A
UN28LLI	Linear cutout	1,894 \$

Standard color : White(01)

Returns accepted on white product only

Options**

	Code	Add
White acrylic grab bar (each)	G01	216 \$
Acrylic Biscuit Color	INT02	1532 \$
Acrylic Black Color	INT48	1532 \$
Removable White Skirt Panel for 60" baths	JA60	1166 \$
Chromatherapy lights	MLC	1145 \$
White floating remote control	RC01	593 \$
Chrome Linear overflow and drain	BDW-114	359 \$
Drain & Overflow PVC / Chromed brass	WOCO14	371 \$

Complete Technical specifications at www.oceania-attitude.com will prevail at all times

Integrated acrylic tile flanges. If system, delivered with keypad not installed.

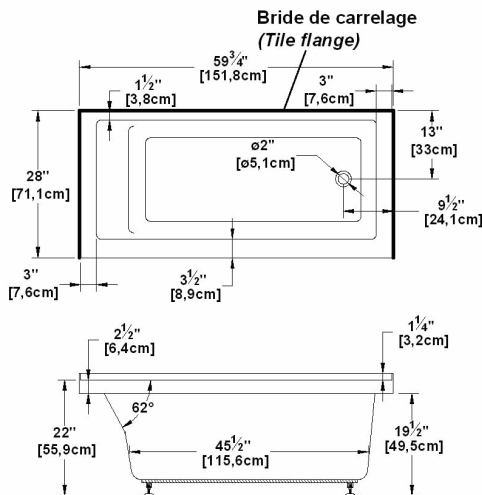
**See the options chart on pages 70 to 73 of this document for all available colors and finishes

Unity 28 (right hand drain)

Alcove installation, flanges on 3 sides

Integrated tile flanges on 3 sides

60" x 28" x 22" [152,4 cm x 71,1 cm x 55,9 cm]
45 IMP Gal. / 58.70 US Gal. / 204.60 Liters



Retail price

Product Code	Model	Price
UN28R	Soaker	1,894 \$
UN28RCA	Comfort air™	4,774 \$
UN28RAM	AeroMassage™	5,808 \$
Not available	Super AeroMassage™	N/A
UN28RLI	Linear cutout	1,894 \$

Standard color : White(01)

Returns accepted on white product only

Options**

	Code	Add
White acrylic grab bar (each)	G01	216 \$
Acrylic Biscuit Color	INT02	1532 \$
Acrylic Black Color	INT48	1532 \$
Removable White Skirt Panel for 60" baths	JA60	1166 \$
Chromatherapy lights	MLC	1145 \$
White floating remote control	RC01	593 \$
Chrome Linear overflow and drain	BDW-114	359 \$
Drain & Overflow PVC / Chromed brass	WOCO14	371 \$

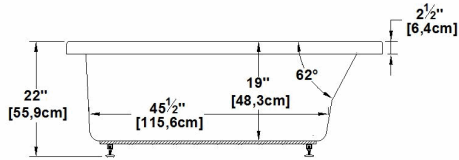
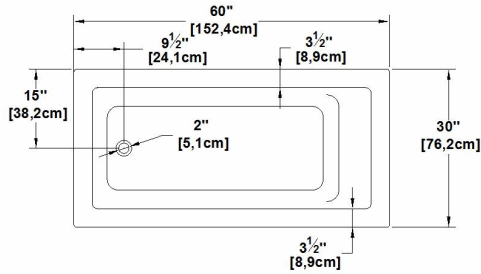
Complete Technical specifications at www.oceania-attitude.com will prevail at all times

Integrated acrylic tile flanges. If system, delivered with keypad not installed.

**See the options chart on pages 70 to 73 of this document for all available colors and finishes

Unity 30

60" x 30" x 22" [152,4 cm x 76,2 cm x 55,9 cm]
45 IMP Gal. / 58.70 US Gal. / 204.60 Liters



Complete Technical specifications at www.oceania-attitude.com will prevail at all times

Retail price

Product Code	Model	Price
UN30	Soaker	1,894 \$
UN30CA	Comfort air™	4,774 \$
UN30AM	AeroMassage™	5,808 \$
UN30SA	Super AeroMassage™	7,735 \$
UN30LI	Linear cutout	1,894 \$

Standard color : White(01)

Returns accepted on white product only

Options**

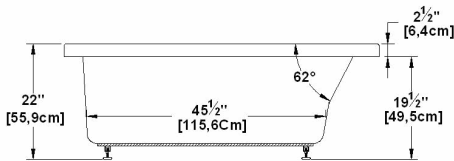
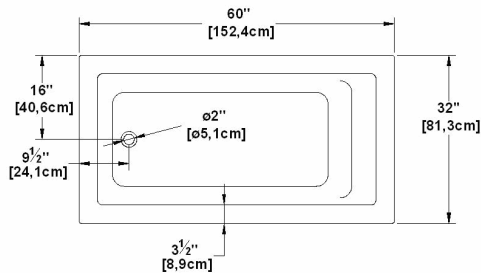
	Code	Add
White acrylic grab bar (each)	G01	216 \$
Acrylic Biscuit Color	INT02	1532 \$
Acrylic Black Color	INT48	1532 \$
Removable White Skirt Panel for 60" baths	JA60	1166 \$
Low-Profile bath lip	LP	329 \$
Chromatherapy lights	MLC	1145 \$
White floating remote control	RC01	593 \$
Tile flange for baths, see page 55	TF	228 \$
Chrome Linear overflow and drain	BDW-114	359 \$
Drain & Overflow PVC / Chromed brass	WOCO14	371 \$

Keypad supplied but not installed when ordered with tile flanges or remote control.

****See the options chart on pages 70 to 73 of this document for all available colors and finishes**

Unity 32

60" x 32" x 22" [152,4 cm x 81,3 cm x 55,9 cm]
47 IMP Gal. / 61.30 US Gal. / 213.70 Liters



Complete Technical specifications at www.oceania-attitude.com will prevail at all times

Retail price

Product Code	Model	Price
UN32	Soaker	1,894 \$
UN32CA	Comfort air™	4,774 \$
UN32AM	AeroMassage™	5,808 \$
UN32SA	Super AeroMassage™	7,735 \$
UN32LI	Linear cutout	1,894 \$

Standard color : White(01)

Returns accepted on white product only

Options**

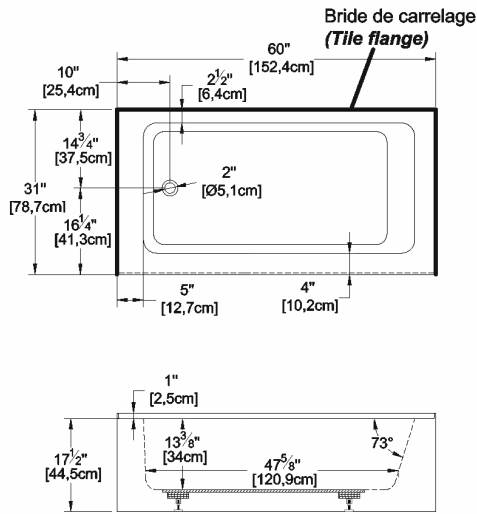
	Code	Add
White acrylic grab bar (each)	G01	216 \$
Acrylic Biscuit Color	INT02	1532 \$
Acrylic Black Color	INT48	1532 \$
Removable White Skirt Panel for 60" baths	JA60	1166 \$
Low-Profile bath lip	LP	329 \$
Chromatherapy lights	MLC	1145 \$
White floating remote control	RC01	593 \$
Tile flange for baths, see page 55	TF	228 \$
Chrome Linear overflow and drain	BDW-114	359 \$
Drain & Overflow PVC / Chromed brass	WOCO14	371 \$

Keypad supplied but not installed when ordered with tile flanges or remote control.

****See the options chart on pages 70 to 73 of this document for all available colors and finishes**

Urbania 6031 L-SF

Left hand drain, 1 Skirt (Front)



Complete Technical specifications at www.oceania-attitude.com will prevail at all times

1 integrated skirt

60" x 31" x 17,5" [152,4 cm x 78,7 cm x 44,5 cm]
28.5 IMP Gal. / 37.20 US Gal. / 129.60 Liters

Retail price

Product Code	Model	Price
UR6031LSF	Soaker	2,371 \$
Not available	Comfort air™	N/A
Not available	AeroMassage™	N/A
Not available	Super AeroMassage™	N/A
UR6031LSFLI	Linear cutout	2,371 \$

Standard color : White(01)

Returns accepted on white product only

Options**

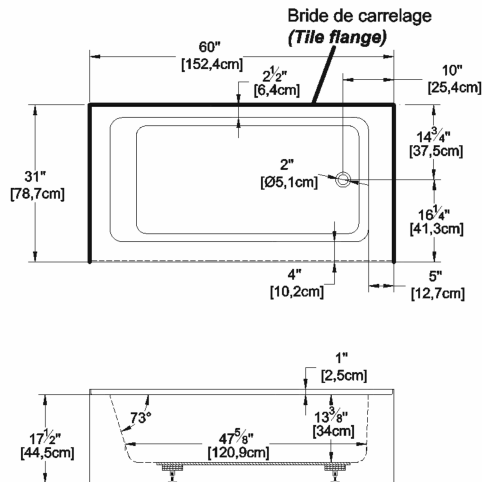
	Code	Add
White acrylic grab bar (each)	G01	216 \$
Chromatherapy lights	MLC	1145 \$
Chrome Linear overflow and drain	BDW-114	359 \$
Drain & Overflow PVC / Chromed brass	WOCO14	371 \$

Integrated acrylic tile flanges. Available in white only. Only one grab bar can be factory installed.

****See the options chart on pages 70 to 73 of this document for all available colors and finishes**

Urbania 6031 R-SF

Right hand drain, 1 Skirt (Front)



Complete Technical specifications at www.oceania-attitude.com will prevail at all times

1 integrated skirt

60" x 31" x 17,5" [152,4 cm x 78,7 cm x 44,5 cm]
28.5 IMP Gal. / 37.20 US Gal. / 129.60 Liters

Retail price

Product Code	Model	Price
UR6031RSF	Soaker	2,371 \$
Not available	Comfort air™	N/A
Not available	AeroMassage™	N/A
Not available	Super AeroMassage™	N/A
UR6031RSFLI	Linear cutout	2,371 \$

Standard color : White(01)

Returns accepted on white product only

Options**

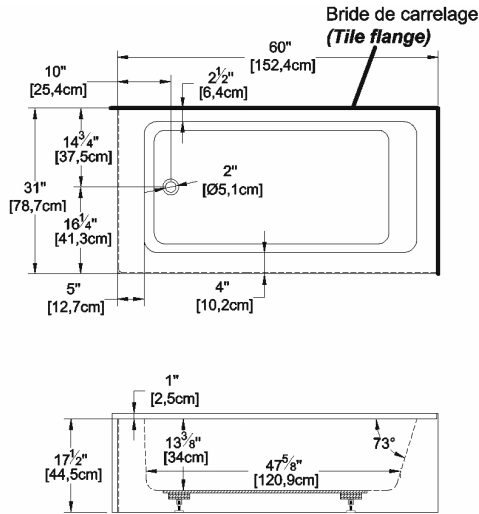
	Code	Add
White acrylic grab bar (each)	G01	216 \$
Chromatherapy lights	MLC	1145 \$
Chrome Linear overflow and drain	BDW-114	359 \$
Drain & Overflow PVC / Chromed brass	WOCO14	371 \$

Integrated acrylic tile flanges. Available in white only. Only one grab bar can be factory installed.

****See the options chart on pages 70 to 73 of this document for all available colors and finishes**

Urbania 6031 L-SFL

Left hand drain, 2 Skirts (Front and Left)



Complete Technical specifications at www.oceania-attitude.com will prevail at all times

WARNING: The installation panel TI-UR-DR is mandatory with the BDW series of drains.

Integrated acrylic tile flanges. Available in white only. Only one grab bar can be factory installed.

****See the options chart on pages 70 to 73 of this document for all available colors and finishes**

2 integrated skirts

60" x 31" x 17,5" [152,4 cm x 78,7 cm x 44,5 cm]
28.5 IMP Gal. / 37.20 US Gal. / 129.60 Liters

Retail price

Product Code	Model	Price
UR6031LSFL	Soaker	3,441 \$
Not available	Comfort air™	N/A
Not available	AeroMassage™	N/A
Not available	Super AeroMassage™	N/A
UR6031LSFLLI	Linear cutout	3,441 \$

Standard color : White(01)

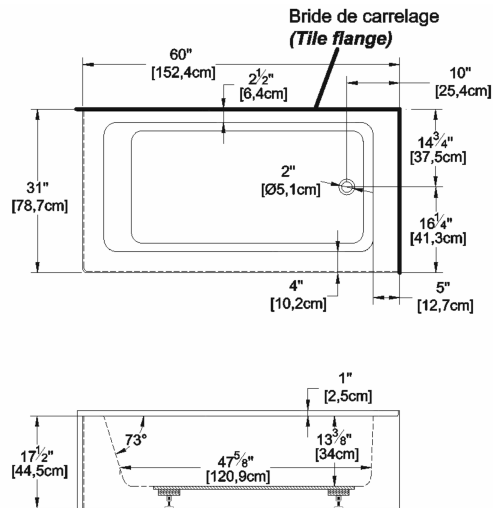
Returns accepted on white product only

Options**

	Code	Add
White acrylic grab bar (each)	G01	216 \$
Chromatherapy lights	MLC	1145 \$
Installation panel DRAIN side - for Urbania	TI-UR-DR	404 \$
Floor drain for freestanding baths	FBQD	396 \$
Chrome Linear overflow and drain	BDW-114	359 \$
Flexible Drain & Overflow / Chromed brass	WOCOSBS14	590 \$

Urbania 6031 R-SFL

Right hand drain, 2 Skirts (Front and Left)



Complete Technical specifications at www.oceania-attitude.com will prevail at all times

Integrated acrylic tile flanges. Available in white only. Only one grab bar can be factory installed.

****See the options chart on pages 70 to 73 of this document for all available colors and finishes**

2 integrated skirts

60" x 31" x 17,5" [152,4 cm x 78,7 cm x 44,5 cm]
28.5 IMP Gal. / 37.20 US Gal. / 129.60 Liters

Retail price

Product Code	Model	Price
UR6031RSFL	Soaker	3,441 \$
Not available	Comfort air™	N/A
Not available	AeroMassage™	N/A
Not available	Super AeroMassage™	N/A
UR6031RSFLLI	Linear cutout	3,441 \$

Standard color : White(01)

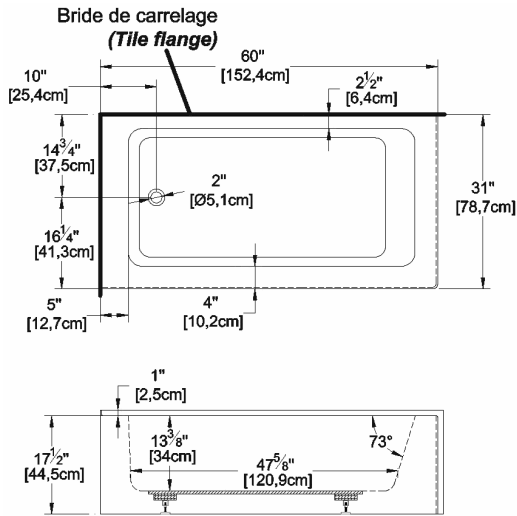
Returns accepted on white product only

Options**

	Code	Add
White acrylic grab bar (each)	G01	216 \$
Chromatherapy lights	MLC	1145 \$
Floor drain for freestanding baths	FBQD	396 \$
Chrome Linear overflow and drain	BDW-114	359 \$
Drain & Overflow PVC / Chromed brass	WOCO14	371 \$

Urbania 6031 L-SFR

Left hand drain, 2 Skirts (Front and Right)



Complete Technical specifications at www.oceania-attitude.com will prevail at all times

2 integrated skirts

60" x 31" x 17.5" [152,4 cm x 78,7 cm x 44,5 cm]
28.5 IMP Gal. / 37.20 US Gal. / 129.60 Liters

Retail price

Product Code	Model	Price
UR6031LSFR	Soaker	3,441 \$
Not available	Comfort air™	N/A
Not available	AeroMassage™	N/A
Not available	Super AeroMassage™	N/A
UR6031LSFRLI	Linear cutout	3,441 \$

Standard color : White(01)

Returns accepted on white product only

Options**

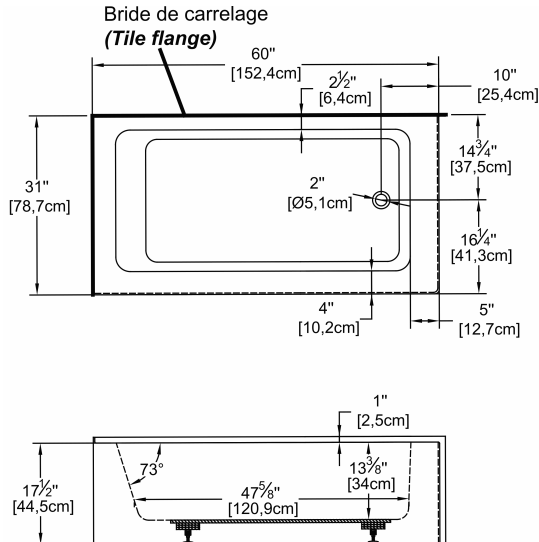
	Code	Add
White acrylic grab bar (each)	G01	216 \$
Chromatherapy lights	MLC	1145 \$
Floor drain for freestanding baths	FBQD	396 \$
Chrome Linear overflow and drain	BDW-114	359 \$
Drain & Overflow PVC / Chromed brass	WOCO14	371 \$

Integrated acrylic tile flanges. Available in white only. Only one grab bar can be factory installed.

****See the options chart on pages 70 to 73 of this document for all available colors and finishes**

Urbania 6031 R-SFR

Right hand drain, 2 Skirts (Front and Right)



Complete Technical specifications at www.oceania-attitude.com will prevail at all times

2 integrated skirts

60" x 31" x 17.5" [152,4 cm x 78,7 cm x 44,5 cm]
28.5 IMP Gal. / 37.20 US Gal. / 129.60 Liters

Retail price

Product Code	Model	Price
UR6031RSFR	Soaker	3,441 \$
Not available	Comfort air™	N/A
Not available	AeroMassage™	N/A
Not available	Super AeroMassage™	N/A
UR6031RSFRLI	Linear cutout	3,441 \$

Standard color : White(01)

Returns accepted on white product only

Options**

	Code	Add
White acrylic grab bar (each)	G01	216 \$
Chromatherapy lights	MLC	1145 \$
Installation panel DRAIN side - for Urbania	TI-UR-DR	404 \$
Floor drain for freestanding baths	FBQD	396 \$
Chrome Linear overflow and drain	BDW-114	359 \$
Flexible Drain & Overflow / Chromed brass	WOCOSBS14	590 \$

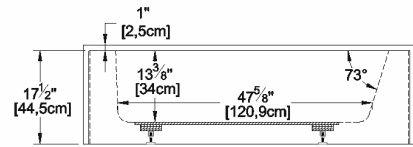
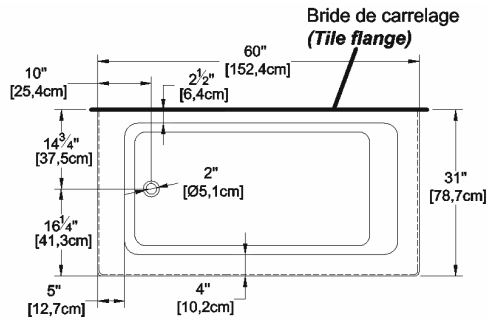
WARNING: The installation panel TI-UR-DR is mandatory with the BDW series of drains.

Integrated acrylic tile flanges. Available in white only. Only one grab bar can be factory installed.

****See the options chart on pages 70 to 73 of this document for all available colors and finishes**

Urbania 6031 L-SFLR

Left hand drain, 3 Skirts (Front, Left & Right)



Complete Technical specifications at www.oceania-attitude.com will prevail at all times

WARNING: The installation panel TI-UR-DR is mandatory with the BDW series of drains.

Integrated acrylic tile flanges. Available in white only. Only one grab bar can be factory installed.

****See the options chart on pages 70 to 73 of this document for all available colors and finishes**

3 integrated skirts

60" x 31" x 17,5" [152,4 cm x 78,7 cm x 44,5 cm]
28.5 IMP Gal. / 37.20 US Gal. / 129.60 Liters

Retail price

Product Code	Model	Price
UR6031LSFLR	Soaker	4,032 \$
Not available	Comfort air™	N/A
Not available	AeroMassage™	N/A
Not available	Super AeroMassage™	N/A
UR6031LSFLRLI	Linear cutout	4,032 \$

Standard color : White(01)

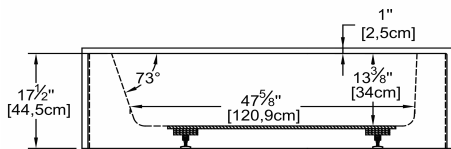
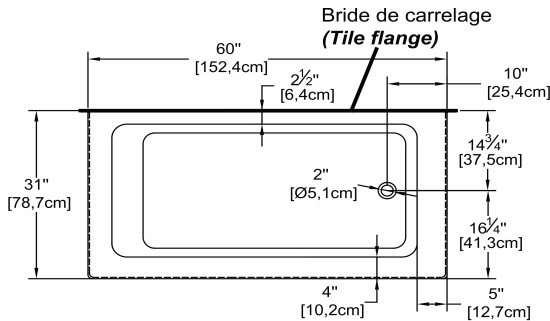
Returns accepted on white product only

Options**

	Code	Add
White acrylic grab bar (each)	G01	216 \$
Chromatherapy lights	MLC	1145 \$
Installation panel DRAIN side - for Urbania	TI-UR-DR	404 \$
Floor drain for freestanding baths	FBQD	396 \$
Chrome Linear overflow and drain	BDW-114	359 \$
Flexible Drain & Overflow / Chromed brass	WOCOSBS14	590 \$

Urbania 6031 R-SFLR

Right hand drain, 3 Skirts (Front, Left & Right)



Complete Technical specifications at www.oceania-attitude.com will prevail at all times

WARNING: The installation panel TI-UR-DR is mandatory with the BDW series of drains.

Integrated acrylic tile flanges. Available in white only. Only one grab bar can be factory installed.

****See the options chart on pages 70 to 73 of this document for all available colors and finishes**

3 integrated skirts

60" x 31" x 17,5" [152,4 cm x 78,7 cm x 44,5 cm]
28.5 IMP Gal. / 37.20 US Gal. / 129.60 Liters

Retail price

Product Code	Model	Price
UR6031RSFLR	Soaker	4,032 \$
Not available	Comfort air™	N/A
Not available	AeroMassage™	N/A
Not available	Super AeroMassage™	N/A
UR6031RSFLRLI	Linear cutout	4,032 \$

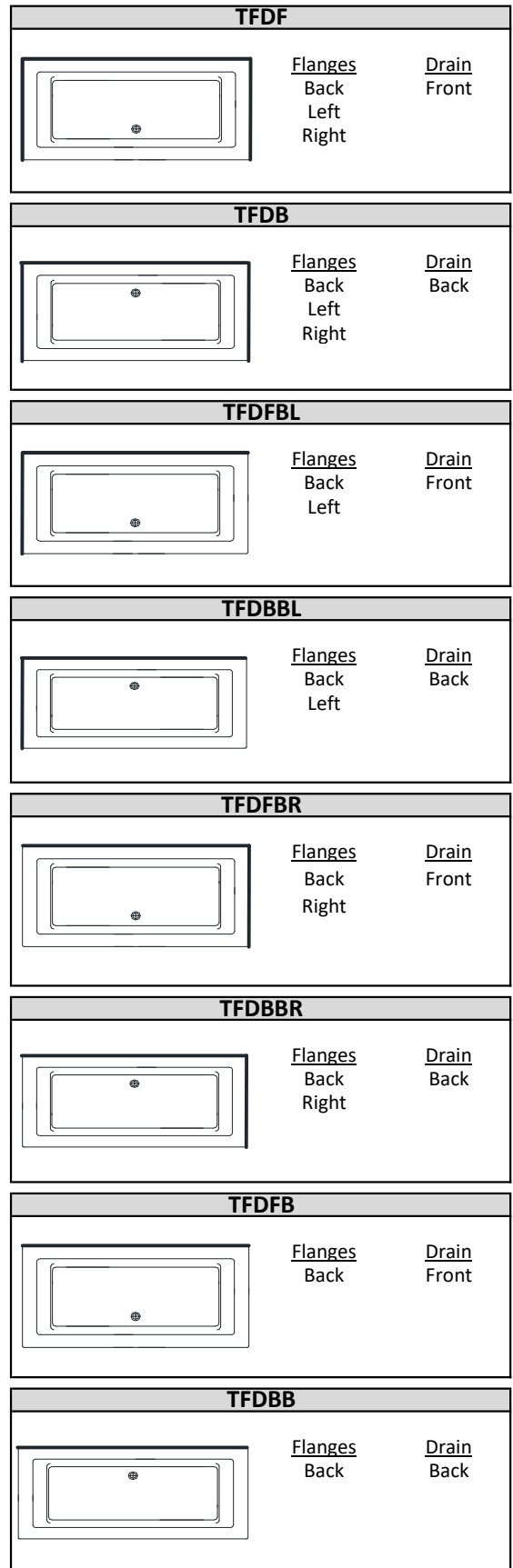
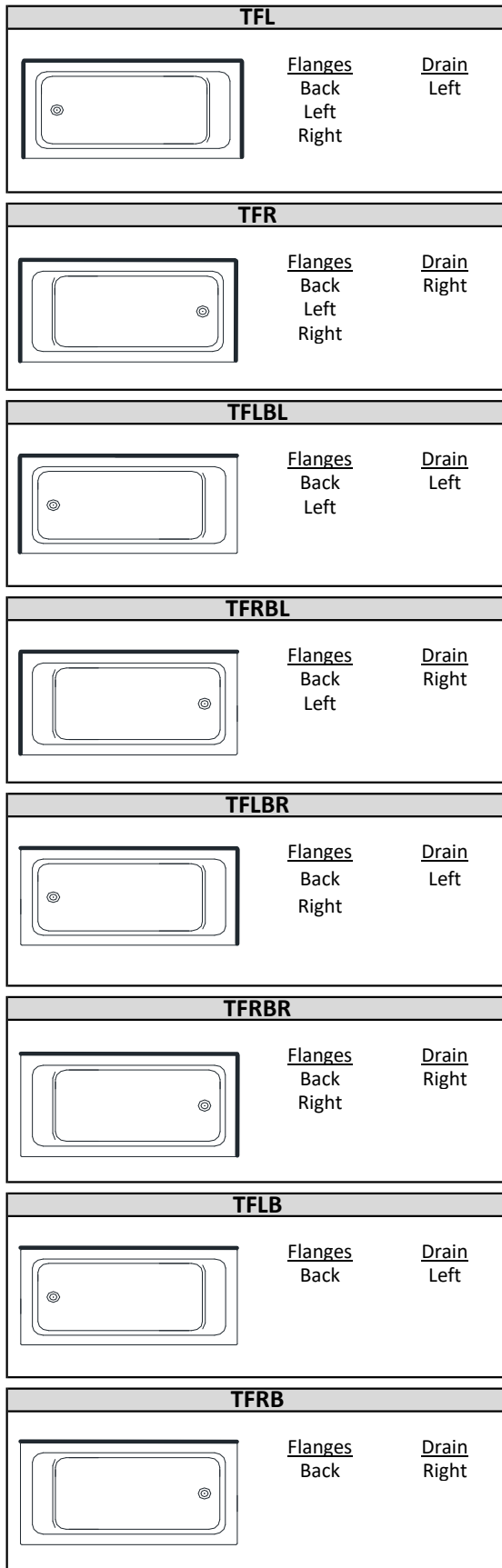
Standard color : White(01)

Returns accepted on white product only

Options**

	Code	Add
White acrylic grab bar (each)	G01	216 \$
Chromatherapy lights	MLC	1145 \$
Installation panel DRAIN side - for Urbania	TI-UR-DR	404 \$
Floor drain for freestanding baths	FBQD	396 \$
Chrome Linear overflow and drain	BDW-114	359 \$
Flexible Drain & Overflow / Chromed brass	WOCOSBS14	590 \$

Tile flanges for baths



Installation cost (includes tile flanges & installation): 228 \$

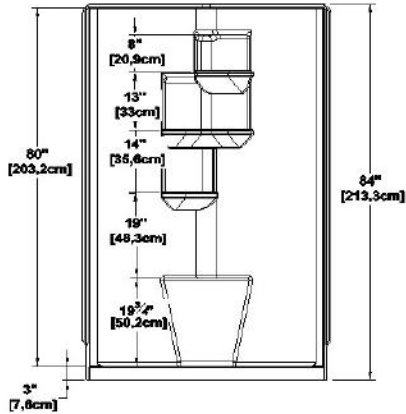
Informations and prices are subject to change. Visit our website www.oceania-attitude.com for up-to-date information.

Information on the website is always up-to-date.

Reality 34

Available winter 2023

34" x 34" x 84" [86,4 cm x 86,4 cm x 213,4 cm]

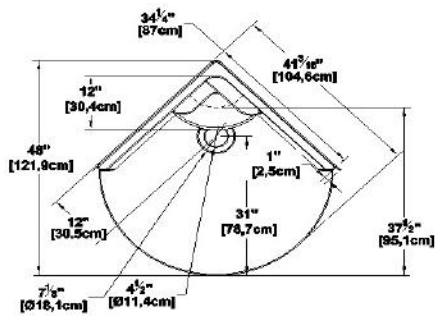


Retail price

Product code	Description	Price
RE34	Shower only	3 167 \$

Color - Available in white only

White (standard)	0 \$
------------------	------



Textured floor

Options

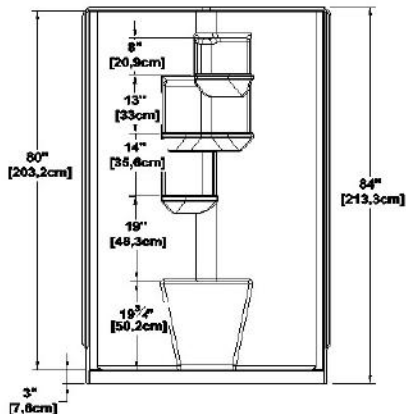
Description	Code	Price
PRE 34 door with 6mm clear glass - chrome	PRE3440	Coming soon
PRE 34 door with 6mm frosted glass - chrome	PRE3450	
PRE 34 door with 6mm clear glass - matte black	PRE3440BK	

Reality 34 (2 sections)

2 sections

Available winter 2023

34" x 34" x 84" [86,4 cm x 86,4 cm x 213,4 cm]

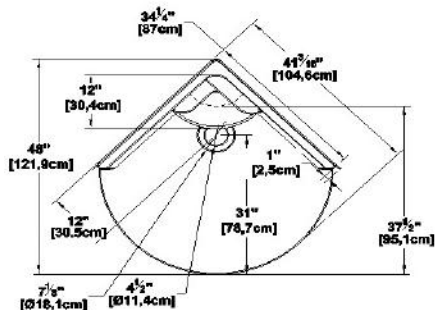


Retail price

Product code	Description	Price
RE34	Shower only	3 560 \$

Color - Available in white only

White (standard)	0 \$
------------------	------

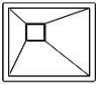

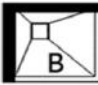
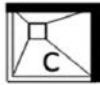
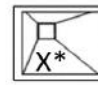
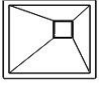
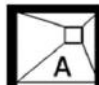
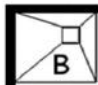
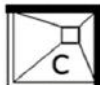
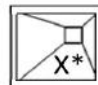


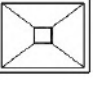
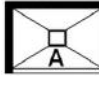
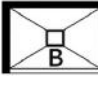
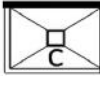
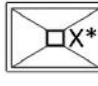
Textured floor

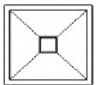
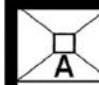
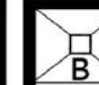

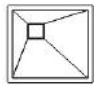
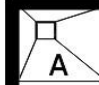


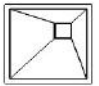
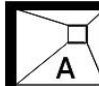

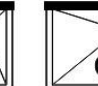
Options

Description	Code	Price
PRE 34 door with 6mm clear glass - chrome	PRE3440	Coming soon
PRE 34 door with 6mm frosted glass - chrome	PRE3450	
PRE 34 door with 6mm clear glass - matte black	PRE3440BK	

SHOWER BASES WITH INTEGRATED TILE FLANGES AND DOORS

34" X 32"						
BASES	Description	Code	Available tile flanges	Price		
				White (01)	Color	
BASES	 square drain cover drain 12 x 12 left corner	SB34L3212	   	1 578 \$	Available in white only	
	 square drain cover drain 12 x 12 right corner	SB34R3212	   	1 578 \$		
DOORS	Installation type		Code	Description	Price	Tile flange (for base)
	Alcove	opening on side 34"	FP34	CALIFORNIA with pivots 1 side 34"	2 286 \$	A
		opening on side 32"	FP32	CALIFORNIA with pivots 1 side 32"	2 136 \$	X*
	Corner	opening on side 34"	FP34R32	CALIFORNIA with pivots 2 sides 34"x 32"	2 922 \$	B or C
opening on side 32"		FP32R34	CALIFORNIA with pivots 2 sides 32"x 34"	2 922 \$		

36" X 32"						
BASES	Description	Code	Available tile flanges	Price		
				White (01)	Color	
BASES	 square drain cover centered drain	SB3632	   	1 578 \$	Available in white only	
DOORS	Installation type		Code	Description	Price	Tile flange (for base)
	Alcove	opening on side 36"	PB136 ⁺	CALIFORNIA hinged door 1 side 36"	2 054 \$	A
		opening on side 32"	FP32	CALIFORNIA with pivots 1 side 32"	2 136 \$	X*
	Corner	opening on side 36"	PB23632 ⁺	CALIFORNIA hinged door 2 sides 36"x 32"	2 794 \$	B or C
opening on side 32"		FP32R36	CALIFORNIA with pivots 2 sides 32"x 36"	2 922 \$		

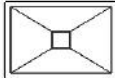
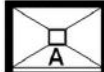
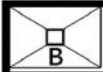
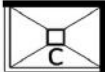
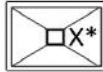
36" X 36"						
BASES	Description	Code	Available tile flanges	Price		
				White (01)	Color	
BASES	 square drain cover centered drain	SB3636	  	1 606 \$	Available in white only	
	 square drain cover drain 12 x 12 left corner	SB36L3612	  	1 606 \$	Available in white only	
	 square drain cover drain 12 x 12 right corner	SB36R3612	  	1 606 \$		
DOORS	Installation type		Code	Description	Price	Tile flange (for base)
	Alcove	opening on side 36"	PB136 ⁺	CALIFORNIA hinged door 1 side 36"	2 054 \$	A
Corner	opening on side 36"		PB23636 ⁺	CALIFORNIA hinged door 2 sides 36"x 36"	2 794 \$	B or C

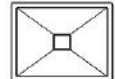
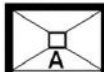
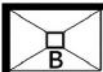
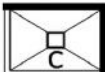
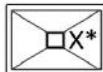
*This configuration has no tiling flange. **The aluminum tile flanges are provided, but not factory installed.**

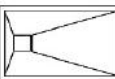

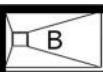
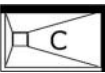
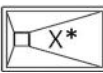
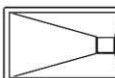

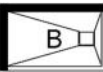

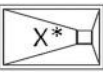
+Also available with Matte Black finish (Code + BK). See pages 65 to 67 for all options.

When ordering, please mention shower base code + tile flange code. Standard color is white (01) (ex : SB36L3412-B-01).

SHOWER BASES WITH INTEGRATED TILE FLANGES AND DOORS

42" X 32"						
BASES		Description	Code	Available tile flanges	Price	
					White (01)	Color
		square drain cover centered drain	SB4232	   	1 666 \$	Available in white only
DOORS	Installation type		Code	Description	Price	Tile flange (for base)
	Alcove	opening on side 42"	PB142 ⁺	CALIFORNIA hinged door 1 side 42"	2 162 \$	A
		opening on side 32"	FP32	CALIFORNIA with pivots 1 side 32"	2 136 \$	X*
	Corner	opening on side 42"	PB24232 ⁺	CALIFORNIA hinged door 2 sides 42"x 32"	3 258 \$	B or C
opening on side 32"		FP32R42	CALIFORNIA with pivots 2 sides 32"x 42"	3 334 \$		

42" X 36"						
BASES		Description	Code	Available tile flanges	Price	
					White (01)	Color
		square drain cover centered drain	SB4236	   	1 695 \$	Available in white only
DOORS	Installation type		Code	Description	Price	Tile flange (for base)
	Alcove	opening on side 42"	PB142 ⁺	CALIFORNIA hinged door 1 side 42"	2 162 \$	A
		opening on side 36"	PB136 ⁺	CALIFORNIA hinged door 1 side 36"	2 054 \$	X*
	Corner	opening on side 42"	PB24236 ⁺	CALIFORNIA hinged door 2 sides 42"x 36"	3 258 \$	B or C
opening on side 36"		PR23642 ⁺	CALIFORNIA hinged door 2 sides 36"x 42"	3 258 \$		

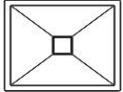
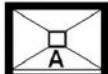
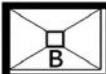
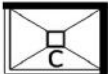

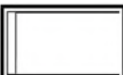







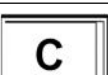
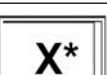
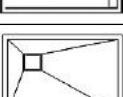



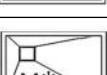
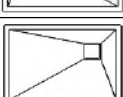

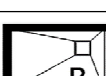
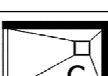
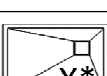
48" X 32"							
BASES		Description	Code	Available tile flanges	Price		
					White (01)	Color	
		square drain cover left hand drain	SB48L32	   	1 695 \$	Available in white only	
		square drain cover right hand drain	SB48R32	   	1 695 \$		
DOORS	Installation type		Code	Description	Price	Tile flange (for base)	
	Alcove	opening on side 48"	EKO48	EKO sliding door 1 side 48"	1 730 \$	A	
			PB148 ⁺	CALIFORNIA hinged door 1 side 48"	2 271 \$		
			PBSD48 ⁺⁺	MARELIA sliding door 1 side 48"	2 550 \$		
	Corner	opening on side 32"	FP32	CALIFORNIA with pivots 1 side 32"	2 136 \$	X*	
			opening on side 48"	EKO48R32	EKO sliding door 2 sides 48"x 32"		2 532 \$
				PB24832 ⁺	CALIFORNIA hinged door 2 sides 48"x 32"		3 437 \$
PBSD48R32 ⁺⁺				MARELIA sliding door 2 sides 48"x 32"	3 442 \$		
Side wall	opening on side 48"	FP32R48	CALIFORNIA with pivots 2 sides 32"x 48"	3 511 \$	B or C		
	opening on side 48"	PBSD48R232 ⁺⁺	MARELIA sliding door 3 sides 48"x 32"	4 834 \$		X*	

*This configuration has no tiling flange. **The aluminum tile flanges are provided, but not factory installed.**

+Also available with Matte Black finish (Code + BK). See pages 65 to 67 for all options.

++Also available with Matte Black finish (Code + BK) or Brushed Nickel (Code + BN). See pages 65 to 67 for all options.

When ordering, please mention shower base code + tile flange code. Standard color is white (01) (ex : SB4236-A-01).

48" X 36"						
		Description	Code	Available tile flanges	Price	
					White (01)	Color
BASES		square drain cover centered drain	SB4836	   	1 695 \$	Available in white only
		rectangular drain cover left hand drain	SB48L36LI	   	1 865 \$	Available in white only
		rectangular drain cover right hand drain	SB48R36LI	   	1 865 \$	
		square drain cover drain 12 x 12 left corner	SB48L3612	   	1 695 \$	Available in white only
		square drain cover drain 12 x 12 right corner	SB48R3612	   	1 695 \$	
DOORS	Installation type		Code	Description	Price	Tile flange (for base)
	Alcove	opening on side 48"	EKO48	EKO sliding door 1 side 48"	1 730 \$	A
			PB148 ⁺	CALIFORNIA hinged door 1 side 48"	2 271 \$	
			PBSD48 ⁺⁺	MARELIA sliding door 1 side 48"	2 550 \$	
	Corner	opening on side 48"	PB136 ⁺	CALIFORNIA hinged door 1 side 36"	2 054 \$	X*
			EKO48R36	EKO sliding door 2 sides 48"x 36"	2 532 \$	B or C
			PB24836 ⁺	CALIFORNIA hinged door 2 sides 48"x 36"	3 437 \$	
	Side wall	opening on side 48"	PBSD48R36 ⁺⁺	MARELIA sliding door 2 sides 48"x 36"	3 442 \$	
			PR23648 ⁺	CALIFORNIA hinged door 2 sides 36"x 48"	3 437 \$	
			PBSD48R236 ⁺⁺	MARELIA sliding door 3 sides 48"x 36"	4 834 \$	X*






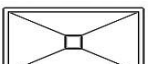



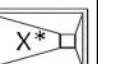


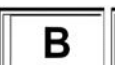


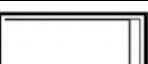




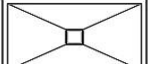














*This configuration has no tiling flange. **The aluminum tile flanges are provided, but not factory installed.**

+Also available with Matte Black finish (Code + BK). See pages 65 to 67 for all options.

++Also available with Matte Black finish (Code + BK) or Brushed Nickel (Code + BN). See pages 65 to 67 for all options.

When ordering, please mention shower base code + tile flange code. Standard color is white (01) (ex : SB4836-A-01).

SHOWER BASES WITH INTEGRATED TILE FLANGES AND DOORS

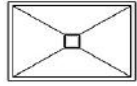
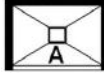
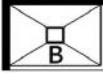
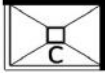
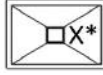
60" X 32"						
		Description	Code	Available tile flanges	Price	
					White (01)	Color
BASES		square drain cover left hand drain	SB60L32	   	1 926 \$	Available in white only
		square drain cover right hand drain	SB60R32	   	1 926 \$	
		rectangular drain cover left hand drain	SB60L32LI	   	2 096 \$	Available in white only
		rectangular drain cover right hand drain	SB60R32LI	   	2 096 \$	
DOORS	Installation type		Code	Description	Price	Tile flange (for base)
	Alcove	opening on side 60"	EKO60	EKO sliding door 1 side 60"	1 893 \$	A
			PBSD60 ⁺⁺	MARELIA sliding door 1 side 60"	2 748 \$	
		opening on side 32"	FP32	CALIFORNIA with pivots 1 side 32"	2 136 \$	X*
	Corner	opening on side 60"	PBSD60R32 ⁺⁺	MARELIA sliding door 2 sides 60"x 32"	3 691 \$	B or C
			EKO60R32	EKO sliding door 2 sides 60"x 32"	2 689 \$	
Side wall	opening on side 60"	PBSD60R232 ⁺⁺	MARELIA sliding door 3 sides 60"x 32"	5 457 \$	X*	
60" X 36"						
		Description	Code	Available tile flanges	Price	
					White (01)	Color
BASES		square drain cover centered drain	SB6036	   	1 926 \$	Available in white only
		rectangular drain cover left hand drain	SB60L36LI	   	2 096 \$	Available in white only
		rectangular drain cover right hand drain	SB60R36LI	   	2 096 \$	
DOORS	Installation type		Code	Description	Price	Tile flange (for base)
	Alcove	opening on side 60"	EKO60	EKO sliding door 1 side 60"	1 893 \$	A
			PBSD60 ⁺⁺	MARELIA sliding door 1 side 60"	2 748 \$	
		opening on side 36"	PB136 ⁺	CALIFORNIA hinged door 1 side 36"	2 054 \$	X*
	Corner	opening on side 60"	EKO60R36	EKO sliding door 2 sides 60"x 36"	2 689 \$	B or C
			PBSD60R36 ⁺⁺	MARELIA sliding door 2 sides 60"x 36"	3 724 \$	
Side wall	opening on side 60"	PBSD60R236 ⁺⁺	MARELIA sliding door 3 sides 60"x 36"	5 457 \$	X*	

*This configuration has no tiling flange. **The aluminum tile flanges are provided, but not factory installed.**

+Also available with Matte Black finish (Code + BK). See pages 65 to 67 for all options.

++Also available with Matte Black finish (Code + BK) or Brushed Nickel (Code + BN). See pages 65 to 67 for all options.

When ordering, please mention shower base code + tile flange code. Standard color is white (01) (ex : SB6030-A-01).

60" X 42"						
BASES		Description	Code	Available tile flanges	Price	
					White (01)	Color
		square drain cover centered drain	SB6042	   	1 948 \$	Available in white only
DOORS	Installation type		Code	Description	Price	Tile flange (for base)
	Alcove	opening on side 60"	EKO60	EKO sliding door 1 side 60"	1 893 \$	A
			PBSD60 ⁺⁺	MARELIA sliding door 1 side 60"	2 748 \$	
		opening on side 42"	PB142 ⁺	CALIFORNIA hinged door 1 side 42"	2 162 \$	X*
	Corner	opening on side 60"	PBSD60R42 ⁺⁺	MARELIA sliding door 2 sides 60"x 42"	3 829 \$	B or C
Side wall	opening on side 60"	PBSD60R242 ⁺⁺	MARELIA sliding door 3 sides 60"x 42"	5 552 \$	X*	

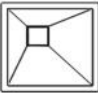
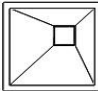
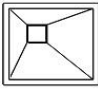
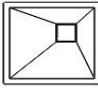
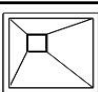
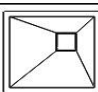


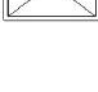

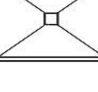
*This configuration has no tiling flange. **The aluminum tile flanges are provided, but not factory installed.**

+Also available with Matte Black finish (Code + BK). See pages 65 to 67 for all options.

++Also available with Matte Black finish (Code + BK) or Brushed Nickel (Code + BN). See pages 65 to 67 for all options.

When ordering, please mention shower base code + tile flange code. Standard color is white (01) (ex : SB6636-B-01).

SHOWER BASES WITHOUT FLANGES AND DOORS
ALUMINUM FLANGES SUPPLIED BUT NOT INSTALLED

BASES				COMPATIBLE DOORS		
	Code	Description	Price	Door code	Door description	Door price
	SB32L3212X	square drain cover drain 12 x 12 left corner	1 578 \$	FP32	CALIFORNIA with pivots 1 side 32"	2 136 \$
		square drain cover drain 12 x 12 right corner		FP32R32	CALIFORNIA with pivots 2 sides 32"x 32"	2 899 \$
	SB36L3412X	square drain cover drain 12 x 12 left corner	1 606 \$	PB136 ⁺	CALIFORNIA hinged door 1 side 36"	2 054 \$
		square drain cover drain 12 x 12 right corner		FP34	CALIFORNIA with pivots 1 side 34"	2 286 \$
	SB36R3412X	square drain cover drain 12 x 12 left corner	1 695 \$	PB23634 ⁺	CALIFORNIA hinged door 2 sides 36"x 34"	2 794 \$
		square drain cover drain 12 x 12 right corner		FP34R36	CALIFORNIA with pivots 2 sides 34"x 36"	2 922 \$
	SB42L4212X	square drain cover drain 12 x 12 left corner	1 834 \$	PB142 ⁺	CALIFORNIA hinged door 1 side 42"	2 162 \$
		square drain cover drain 12 x 12 right corner		PB24242 ⁺	CALIFORNIA hinged door 2 sides 42"x 42"	3 397 \$
	SB4842X	square drain cover centered drain	1 834 \$	EKO48	EKO sliding door 1 side 48"	1 730 \$
				PB148 ⁺	CALIFORNIA hinged door 1 side 48"	2 271 \$
				PBSD48 ⁺⁺	MARELIA sliding door 1 side 48"	2 550 \$
				PB142 ⁺	CALIFORNIA hinged door 1 side 42"	2 162 \$
				PB24842 ⁺	CALIFORNIA hinged door 2 sides 48"x 42"	3 503 \$
				PBSD48R42 ⁺⁺	MARELIA sliding door 2 sides 48"x 42"	3 627 \$
				PR24248 ⁺	CALIFORNIA hinged door 2 sides 42"x 48"	3 503 \$
	PBSD48R242 ⁺⁺	MARELIA sliding door 3 sides 48"x 42"	5 457 \$			
	SB6048X	square drain cover centered drain	2 135 \$	EKO60	EKO sliding door 1 side 60"	1 893 \$
				PBSD60 ⁺⁺	MARELIA sliding door 1 side 60"	2 748 \$
				EKO48	EKO sliding door 1 side 48"	1 730 \$
				PB148 ⁺	CALIFORNIA hinged door 1 side 48"	2 271 \$
				PBSD48 ⁺⁺	MARELIA sliding door 1 side 48"	2 550 \$
				PBSD60R48 ⁺⁺	MARELIA sliding door 2 sides 60"x 48"	3 962 \$
				PBSD60R248 ⁺⁺	MARELIA sliding door 3 sides 60"x 48"	5 976 \$
	SB6636X	rectangular drain cover	2 096 \$	PBSD66 ⁺	MARELIA sliding door 1 side 66"	3 150 \$
				PB136 ⁺	CALIFORNIA hinged door 1 side 36"	2 054 \$
				PBSD66R36 ⁺	MARELIA sliding door 2 sides 66"x 36"	4 221 \$
				PBSD66R236 ⁺	MARELIA sliding door 3 sides 66"x 36"	5 954 \$

These bases have no tiling flange installed. **The aluminum tile flanges are provided, but not factory installed.**

+Also available with Matte Black finish (Code + BK). See pages 65 to 67 for all options.

++Also available with Matte Black finish (Code + BK) or Brushed Nickel (Code + BN). See pages 65 to 67 for all options.

When ordering, please mention the base code and the standard color white (01) (ex: SB6636X01).

All bases are available in white only.

Shower Base Screens - 78¾" height

Fixed shower screens allowing a multitude of possibilities and arrangements according to your needs.

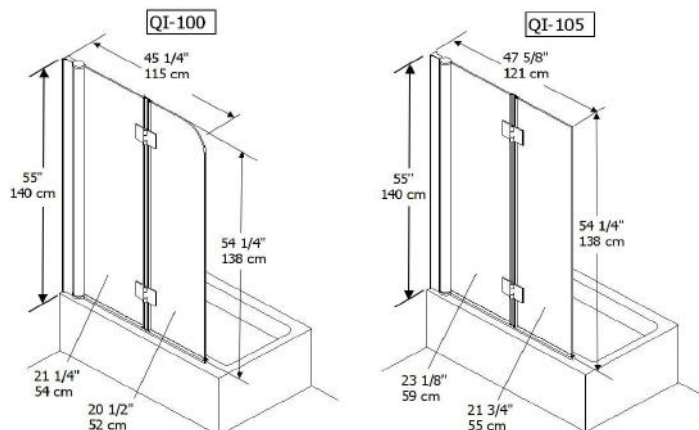
Clear 8mm glass, ClearView™ treated, reversible installation, available in chrome and Matte Black.

Dimensions		Code	Price	
Front	Maximum		Chrome	Matte Black (Code + BK)
29"	29¼"	R32	1 184 \$	1 689 \$
31"	31¼"	R34	1 239 \$	1 750 \$
33"	33¼"	R36	1 239 \$	1 750 \$
39"	39¼"	R42	1 376 \$	1 842 \$
45"	45¼"	R48	1 411 \$	1 929 \$



Bath Screens

Code	Description	Price
QI100	Bath screen (round corner)	1 336 \$
QI105	Bath screen (square corner)	1 336 \$
QI105BK	Bath screen (square corner) - Black matte finish	1 487 \$
QI105BN	Bath screen (square corner) - Brushed Nickel finish	1 911 \$



The Frameless Clear Glass Shower Panel has a thickness of 6mm. Contemporary in look with a high-design, leak-proof support that allows the glass door panel to pivot 180 degrees. The entire glass panel folds together 180 degrees allowing full and easy access to faucets. When folding the glass panels together, the wall mounted hinges are designed to lift the door slightly preventing scratching of the acrylic bath surface. Reversible by design, the QI Glass Shower Panels can be installed either left hand or right hand. Can be installed on any bath with flat surface. Treated on both sides with ClearView™, Oceania's Water Repellent Technology, minimal maintenance is required.

HYDRIA bathtub doors - 64" height

The Hydria bathtub door is all about transparency and simplicity. With its double bidirectional sliding panels, it allows faucet and bathtub access. Other features : Magnets on each end for a perfect seal, 8 mm tempered glass with Oceania Clear View™ treatment, acrylic door seals, chrome finish.

ALCOVE Installation*	Dimensions			Code	Price		
	Front	Side panel	Door opening		Chrome	Matte Black (Code + BK)	
	60"	N/A	28 3/8" to 29 1/8"		HY60	2 333 \$	
66"	N/A	31 1/8" to 32 1/8"	HY66	2 474 \$	2 982 \$		

CORNER Installation**	Dimensions			Code	Price		
	Front	Side panel	Door opening		Chrome	Matte Black (Code + BK)	
	60"	31"	28 3/8" to 29 1/8"		HY60R31	3 215 \$	
66"	31"	31 1/8" to 32 1/8"	HY66R31	3 486 \$	4 048 \$		

SIDE WALL Installation**	Dimensions			Code	Price		
	Front	Side panel	Door opening		Chrome	Matte Black (Code + BK)	
	60"	31"	28 3/8" to 29 1/8"		HY60R231	4 099 \$	
66"	31"	31 1/8" to 32 1/8"	HY66R231	4 501 \$	5 104 \$		

Option	Wall jamb extension 3/4" (for 32" baths)	WJEXT75	242 \$
--------	--	---------	--------


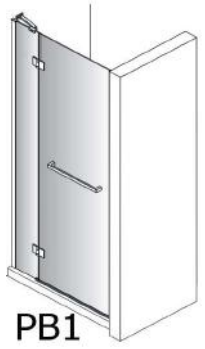
*Installation on bathtubs having a top side of at least 3 1/4" wide.

** Designed to be installed on Suite, Loft and Urbania bathtubs (60x31 or 66x31).


OCEANIA SHOWER DOORS

Clear 8mm glass, ClearView™ treated, all doors can be installed left or right hand side, standard chrome hardware and trims (some series offered with Matte Black or Brushed Nickel finish).


"CALIFORNIA" SERIES						
Shower doors - with pivots (FP) and hinged (PB1)						
Dimensions			Code	Price		
Front	Side (return)	Door opening		Chrome	Matte Black (Code + BK)	
32"		25" to 26"	FP32	2 136 \$	Not available	
34"		27" to 28"	FP34	2 286 \$	Not available	
36"		23 ³ / ₈ "	PB136	2 054 \$	2 272 \$	
42"			PB142	2 162 \$	2 381 \$	
48"			PB148	2 271 \$	2 489 \$	

"MARELIA" SERIES						
Sliding shower doors (PBSD)						
Dimensions			Code	Price		
Front	Side (return)	Door opening	Chrome	Matte Black (Code + BK)	Brushed Nickel (Code + BN)	
48"		19" to 20"	PBSD48	2 550 \$	3 253 \$	3 253 \$
60"		25" to 26"	PBSD60	2 748 \$	3 413 \$	3 413 \$
66"		PBSD66	3 150 \$	3 913 \$	Not available	



"EKO" SERIES						
Sliding shower doors (EKO)						
Dimensions			Code	Price		
Front	Side (return)	Door opening				
48"		18¹/₄" to 19¹/₄"	EKO48	1 730 \$		
60"		24¹/₄" to 25¹/₄"	EKO60	1 893 \$		



ALCOVE Installation

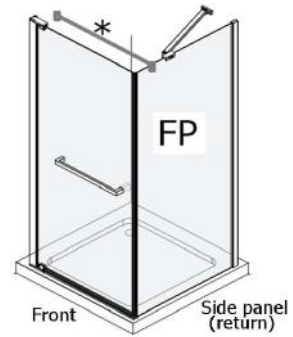
OCEANIA SHOWER DOORS

Clear 8mm glass, ClearView™ treated, all doors can be installed left or right hand side, standard chrome hardware and trims (some series offered with Matte Black or Brushed Nickel finish).

"CALIFORNIA" SERIES

Shower doors - with pivots (FP) and hinged (PB2) - opening on LONG side

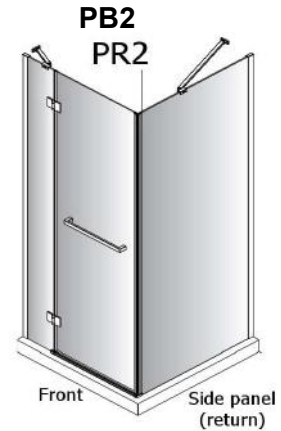
Dimensions			Code	Price	
Front	Side (return)	Door opening		Chrome	Matte Black (Code + BK)
32"	32"	25" to 26"	FP32R32*	2 899 \$	Not available
34"	32"	27" to 28"	FP34R32*	2 922 \$	Not available
36"	32"	24"	PB23632	2 794 \$	3 372 \$
36"	34"		PB23634	2 794 \$	3 372 \$
36"	36"		PB23636	2 794 \$	3 372 \$
42"	32"		PB24232	3 258 \$	3 837 \$
42"	36"		PB24236	3 258 \$	3 837 \$
42"	42"		PB24242	3 397 \$	3 975 \$
48"	32"		PB24832	3 437 \$	4 015 \$
48"	36"		PB24836	3 437 \$	4 015 \$
48"	42"		PB24842	3 503 \$	4 081 \$
* Optional transversal support			STFP32 or STFP34	190 \$	Not available



CORNER Installation

Shower doors - with pivots (FP) and hinged (PR2) - opening on SHORT side

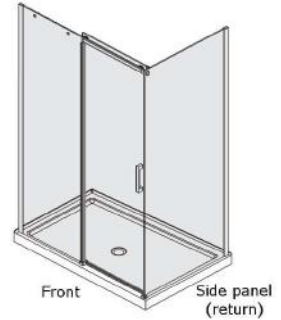
Dimensions			Code	Price	
Front	Side (return)	Door opening		Chrome	Matte Black (Code + BK)
32"	34"	25" to 26"	FP32R34*	2 922 \$	Not available
32"	36"		FP32R36*	2 922 \$	Not available
32"	42"		FP32R42*	3 334 \$	Not available
32"	48"		FP32R48*	3 511 \$	Not available
34"	36"	27" to 28"	FP34R36*	2 922 \$	Not available
36"	42"	24"	PR23642	3 258 \$	3 837 \$
36"	48"		PR23648	3 437 \$	4 015 \$
42"	48"		PR24248	3 503 \$	4 081 \$
* Optional transversal support			STFP32 or STFP34	190 \$	Not available



"EKO" SERIES

Corner sliding shower doors (EKO)

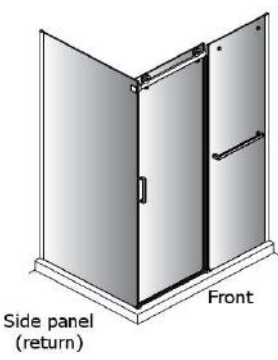
Dimensions			Code	Price
Front	Side (return)	Door opening		
48"	32"	18¼" to 19¼"	EKO48R32	2 532 \$
48"	36"		EKO48R36	2 532 \$
60"	32"	24¼" to 25¼"	EKO60R32	2 689 \$
60"	36"		EKO60R36	2 689 \$



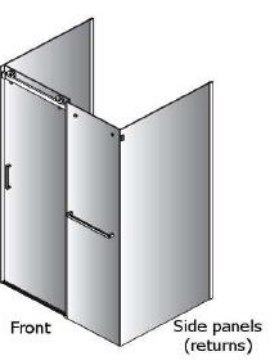
OCEANIA SHOWER DOORS

Clear 8mm glass, ClearView™ treated, all doors can be installed left or right hand side, standard chrome hardware and trims (some series offered with Matte Black or Brushed Nickel finish).

"MARELIA" SERIES							
CORNER Installation	Corner sliding shower doors (PBSDR)						
	Dimensions			Code	Price		
	Front	Side (return)	Door opening		Chrome	Matte Black (Code + BK)	Brushed Nickel (Code + BN)
	48"	32"	19" to 20"	PBSD48R32	3 442 \$	4 150 \$	4 150 \$
	48"	36"		PBSD48R36	3 442 \$	4 150 \$	4 150 \$
	48"	42"		PBSD48R42	3 627 \$	4 299 \$	4 299 \$
	60"	32"	25" to 26"	PBSD60R32	3 691 \$	4 351 \$	4 351 \$
	60"	36"		PBSD60R36	3 724 \$	4 377 \$	4 377 \$
	60"	42"		PBSD60R42	3 829 \$	4 464 \$	4 464 \$
	60"	48"		PBSD60R48	3 962 \$	4 572 \$	4 572 \$
66"	36"	PBSD66R36		4 221 \$	4 858 \$	Not available	



"MARELIA" SERIES							
SIDE WALL Installation	Sliding shower doors (PBSDR2)						
	Dimensions			Code	Price		
	Front	Sides (returns)	Door opening		Chrome	Matte Black (Code + BK)	Brushed Nickel (Code + BN)
	48"	32"	19" to 20"	PBSD48R232	4 834 \$	5 499 \$	5 499 \$
	48"	36"		PBSD48R236	4 834 \$	5 499 \$	5 499 \$
	48"	42"		PBSD48R242	5 457 \$	6 003 \$	6 003 \$
	60"	32"	25" to 26"	PBSD60R232	5 457 \$	6 003 \$	6 003 \$
	60"	36"		PBSD60R236	5 457 \$	6 003 \$	6 003 \$
	60"	42"		PBSD60R242	5 552 \$	6 080 \$	6 080 \$
	60"	48"		PBSD60R248	5 976 \$	6 427 \$	6 427 \$
66"	36"	PBSD66R236		5 954 \$	6 483 \$	Not available	



CORNER SHOWER DOORS

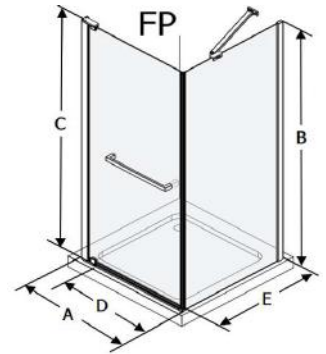
Corner shower doors (PRE) - Reality

Dimensions	Code	Description	Price
34"	PRE3440	PRE 34 door with 6mm clear glass - chrome	Coming soon
	PRE3450	PRE 34 door with 6mm frosted glass - chrome	
	PRE3440BK	PRE 34 door with 6mm clear glass - matte black	

Doors dimensions

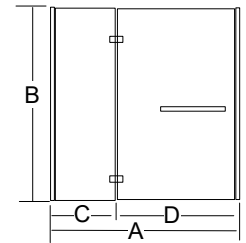
FP doors - California

Code	A (min)	A (max)	B	C	D (min)	D(max)	E (min)	E (max)
FP32	29 $\frac{3}{8}$ "	30 $\frac{1}{2}$ "	78 $\frac{3}{4}$ "	79 $\frac{1}{2}$ "	25"	26"		
FP34	31 $\frac{1}{4}$ "	32 $\frac{1}{2}$ "			27"	28"		
FP32R32	29 $\frac{3}{8}$ "	30 $\frac{3}{8}$ "	78 $\frac{3}{4}$ "	79 $\frac{1}{2}$ "	25"	26"	29 $\frac{7}{8}$ "	30 $\frac{3}{8}$ "
FP32R34							31 $\frac{3}{4}$ "	32 $\frac{3}{8}$ "
FP32R36							33 $\frac{7}{8}$ "	34 $\frac{3}{8}$ "
FP32R42							39 $\frac{3}{4}$ "	40 $\frac{3}{8}$ "
FP32R48							45 $\frac{7}{8}$ "	46 $\frac{3}{8}$ "
FP34R32	31 $\frac{3}{8}$ "	32 $\frac{3}{8}$ "	78 $\frac{3}{4}$ "	79 $\frac{1}{2}$ "	27"	28"	29 $\frac{7}{8}$ "	30 $\frac{3}{8}$ "
FP34R36							33 $\frac{7}{8}$ "	34 $\frac{3}{8}$ "



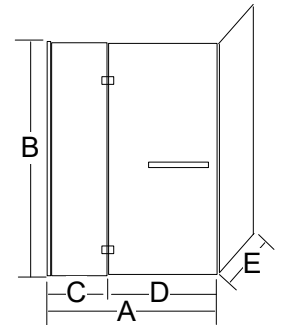
PB1 doors - California (front only)

Code	A (min)	A (max)	B	C	D
PB136	33 $\frac{5}{8}$ "	34 $\frac{1}{4}$ "	78 $\frac{3}{4}$ "	8"	23 $\frac{3}{8}$ "
PB142	39 $\frac{5}{8}$ "	40 $\frac{3}{8}$ "		14"	
PB148	45 $\frac{5}{8}$ "	46 $\frac{5}{8}$ "		20"	



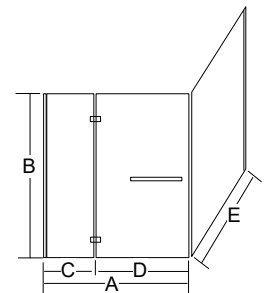
PB2 doors - California (long side opening + 1 side panel)

Code	A (min)	A (max)	B	C	D	E (max)
PB23632	33 $\frac{5}{8}$ "	34 $\frac{3}{8}$ "	78 $\frac{3}{4}$ "	8"	24"	29 $\frac{1}{2}$ "
PB23634						31 $\frac{1}{2}$ "
PB23636						33 $\frac{1}{2}$ "
PB24232	39 $\frac{5}{8}$ "	40 $\frac{3}{8}$ "	78 $\frac{3}{4}$ "	14"	24"	29 $\frac{1}{2}$ "
PB24236						33 $\frac{1}{2}$ "
PB24242						39 $\frac{1}{2}$ "
PB24832	45 $\frac{5}{8}$ "	46 $\frac{3}{8}$ "	78 $\frac{3}{4}$ "	20"	24"	29 $\frac{1}{2}$ "
PB24836						33 $\frac{1}{2}$ "
PB24842						39 $\frac{1}{2}$ "



PR2 doors - California (short side opening + 1 return panel)

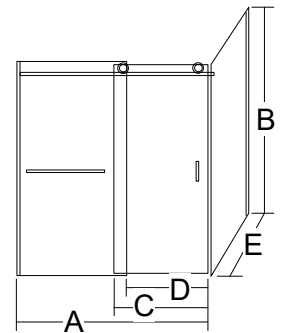
Code	A (min)	A (max)	B	C	D	E (min)	E (max)
PR23642	33 $\frac{5}{8}$ "	34 $\frac{3}{8}$ "	78 $\frac{3}{4}$ "	8"	24"	39 $\frac{1}{2}$ "	40 $\frac{5}{8}$ "
PR23648						45 $\frac{1}{2}$ "	46 $\frac{5}{8}$ "
PR24248	39 $\frac{5}{8}$ "	40 $\frac{3}{8}$ "	78 $\frac{3}{4}$ "	14"	24"	45 $\frac{1}{2}$ "	46 $\frac{5}{8}$ "



Doors dimensions

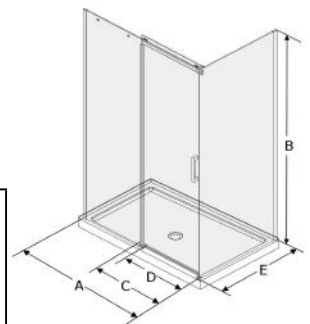
PBSD doors - Marelia

Code	A (min)	A (max)	B	C	D (min)	D(max)	E (min)	E (max)
PBSD48	45 $\frac{7}{8}$ "	46 $\frac{5}{8}$ "	78 $\frac{3}{4}$ "	25 $\frac{1}{4}$ "	19"	20"		
PBSD60	57 $\frac{7}{8}$ "	58 $\frac{5}{8}$ "		31 $\frac{1}{4}$ "	25"	26"		
PBSD66	63 $\frac{7}{8}$ "	64 $\frac{5}{8}$ "		31 $\frac{1}{4}$ "	25"	26"		
PBSD48R32	46"	46 $\frac{3}{4}$ "	78 $\frac{3}{4}$ "	25 $\frac{1}{4}$ "	19"	20"	30 $\frac{1}{4}$ "	30 $\frac{3}{4}$ "
PBSD48R36							34 $\frac{1}{4}$ "	34 $\frac{5}{8}$ "
PBSD48R42							40 $\frac{3}{8}$ "	40 $\frac{3}{4}$ "
PBSD60R32	58"	58 $\frac{3}{4}$ "	78 $\frac{3}{4}$ "	31 $\frac{1}{4}$ "	25"	26"	30 $\frac{1}{4}$ "	30 $\frac{3}{4}$ "
PBSD60R36							34 $\frac{1}{4}$ "	34 $\frac{5}{8}$ "
PBSD60R42							40 $\frac{3}{8}$ "	40 $\frac{3}{4}$ "
PBSD60R48							46 $\frac{1}{4}$ "	46 $\frac{3}{4}$ "
PBSD66R36	64"	64 $\frac{1}{4}$ "	78 $\frac{3}{4}$ "	31 $\frac{1}{4}$ "	25"	26"	34 $\frac{1}{4}$ "	34 $\frac{5}{8}$ "
PBSD48R232	46 $\frac{5}{8}$ "	46 $\frac{5}{8}$ "	78 $\frac{3}{4}$ "	25 $\frac{1}{4}$ "	19"	20"	30 $\frac{1}{4}$ "	30 $\frac{3}{4}$ "
PBSD48R236							34 $\frac{1}{4}$ "	34 $\frac{5}{8}$ "
PBSD48R242							40 $\frac{3}{8}$ "	40 $\frac{3}{4}$ "
PBSD60R232	58 $\frac{3}{4}$ "	58 $\frac{5}{8}$ "	78 $\frac{3}{4}$ "	31 $\frac{1}{4}$ "	25"	26"	30 $\frac{1}{4}$ "	30 $\frac{3}{4}$ "
PBSD60R236							34 $\frac{1}{4}$ "	34 $\frac{5}{8}$ "
PBSD60R242							40 $\frac{3}{8}$ "	40 $\frac{3}{4}$ "
PBSD60R248							46 $\frac{1}{4}$ "	46 $\frac{3}{4}$ "
PBSD66R236	64 $\frac{1}{8}$ "	64 $\frac{5}{8}$ "	78 $\frac{3}{4}$ "	31 $\frac{1}{4}$ "	25"	26"	34 $\frac{1}{4}$ "	34 $\frac{5}{8}$ "



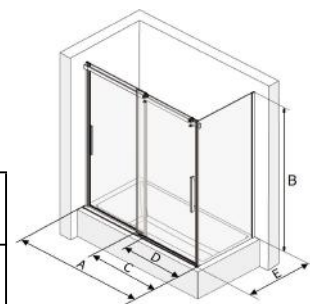
EKO doors

Code	A (min)	A (max)	B	C	D (min)	D(max)	E (min)	E (max)
EKO48	45 $\frac{1}{2}$ "	46"	78 $\frac{3}{4}$ "	23 $\frac{3}{4}$ "	18 $\frac{1}{4}$ "	19 $\frac{1}{4}$ "		
EKO60	57 $\frac{1}{2}$ "	58"		29 $\frac{5}{8}$ "	24 $\frac{1}{4}$ "	25 $\frac{1}{4}$ "		
EKO48R32	45 $\frac{1}{2}$ "	46"	78 $\frac{3}{4}$ "	23 $\frac{3}{4}$ "	18 $\frac{1}{4}$ "	19 $\frac{1}{4}$ "	29 $\frac{3}{4}$ "	30 $\frac{1}{4}$ "
EKO48R36							33 $\frac{3}{4}$ "	34 $\frac{1}{4}$ "
EKO60R32	57 $\frac{1}{2}$ "	58"	78 $\frac{3}{4}$ "	29 $\frac{5}{8}$ "	24 $\frac{1}{4}$ "	25 $\frac{1}{4}$ "	29 $\frac{3}{4}$ "	30 $\frac{1}{4}$ "
EKO60R36							33 $\frac{3}{4}$ "	34 $\frac{1}{4}$ "



HYDRIA doors (installed on a bathtub)

Code	A (min)	A (max)	B	C	D (min)	D(max)	E (min)	E (max)
HY60*	57 $\frac{5}{8}$ "	58 $\frac{3}{8}$ "	64"	29 $\frac{1}{4}$ "	28 $\frac{3}{8}$ "	29 $\frac{5}{8}$ "		
HY66*	63 $\frac{5}{8}$ "	64 $\frac{3}{8}$ "		32 $\frac{1}{4}$ "	31 $\frac{3}{8}$ "	32 $\frac{5}{8}$ "		
HY60R31**	57 $\frac{5}{8}$ "	58 $\frac{3}{8}$ "	64"	29 $\frac{1}{4}$ "	28 $\frac{3}{8}$ "	29 $\frac{5}{8}$ "	28 $\frac{3}{4}$ "	29 $\frac{1}{4}$ "
HY66R31**	63 $\frac{5}{8}$ "	64 $\frac{3}{8}$ "		32 $\frac{1}{4}$ "	31 $\frac{3}{8}$ "	32 $\frac{5}{8}$ "	28 $\frac{3}{4}$ "	29 $\frac{1}{4}$ "
HY60R231**	57 $\frac{5}{8}$ "	58 $\frac{3}{8}$ "	64"	29 $\frac{1}{4}$ "	28 $\frac{3}{8}$ "	29 $\frac{5}{8}$ "	28 $\frac{3}{4}$ "	29 $\frac{1}{4}$ "
HY66R231**	63 $\frac{5}{8}$ "	64 $\frac{3}{8}$ "		32 $\frac{1}{4}$ "	31 $\frac{3}{8}$ "	32 $\frac{5}{8}$ "	28 $\frac{3}{4}$ "	29 $\frac{1}{4}$ "



*Installation on bathtubs having a top side of at least 3 $\frac{1}{4}$ " wide.

**Designed to be installed on Suite, Loft and Urbania bathtubs (60x31 or 66x31).

Drains and overflows


Drain and overflow - Cable activated 40"

Material(s)	Code	Color	Price
PVC / solid brass trim	WOCO14	Chrome	371 \$
	WOCO12	Gold	371 \$
	WOCO16	Brushed nickel	371 \$
	WOCO17	Polished nickel	459 \$
PVC / molded plastic trim	WOCOMP01	White	293 \$
	WOCOMP02	Biscuit	293 \$

Drain and overflow - Cable activated 20"

Material(s)	Code	Color	Price
Flexible brass / solid brass trim	WOCOSBS14	Chrome	590 \$
	WOCOSBS12	Gold	920 \$
	WOCOSBS16	Brushed nickel	793 \$
	WOCOSBS17	Polished nickel	920 \$

Adaptor for Freestanding tubs drain

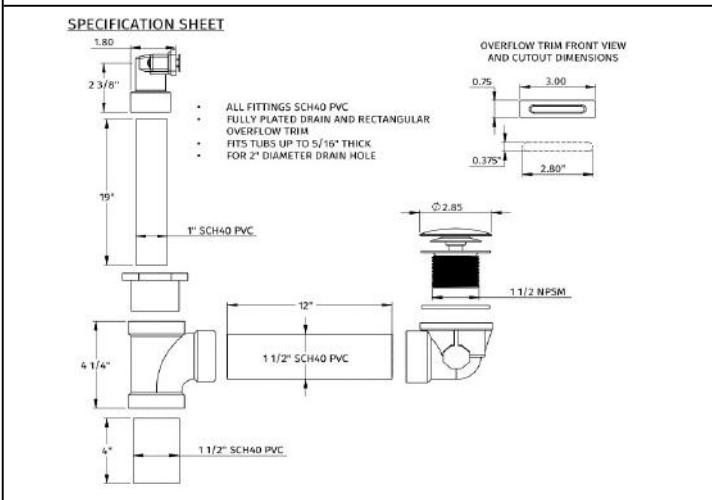
Image	Code	Price
	FBQD	396 \$

Linear overflow and drain

The overflow is factory installed, drain is included but not installed.

Material(s)	Code	Color	Price
Plated brass	BDW-114	Chrome	359 \$
	BDW-116	Brushed nickel	378 \$
	BDW-117	Polished nickel	378 \$
Powder coated brass*	BDW-101	White	378 \$
	BDW-148M	Matte Black	378 \$

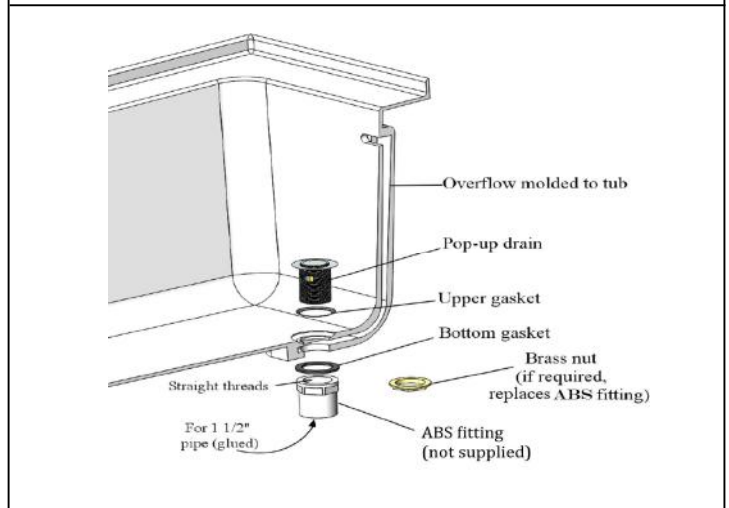
*No warranty offered on these special finishes



Drain cover for Authentik Signature Series

Material(s)	Code	Color	Price
Plated brass	INF114	Chrome	184 \$
	INF116	Brushed nickel	184 \$
	INF117	Polished nickel	184 \$
Powder coated brass*	INF101	White	184 \$
	INF148M	Matte Black	184 \$

*No warranty offered on these special finishes



Solid acrylic grab bar

Code	Color	Price
G01	White	216 \$
G02	Biscuit	216 \$



Clear acrylic grab bar

Code	Insert	Price
G14	Chrome	273 \$
G12	Gold	273 \$



Chromatherapy light¹

Code	Color	Price
MLC	Variable LED	1 145 \$

¹ Not available if ordered with Comfort Air system.



Floating remote control²

Code	Color	Price
RC01	White	593 \$
RC02	Biscuit	593 \$

² Keyboard is delivered but not installed if a remote control is ordered



Removable skirt panel "JA", white acrylic only

Code	Type	Length (BETWEEN 2 FINISHED WALLS)	Skirt height	Price
JA60S	60" low profile	57¼" to 59"	18¾"	1 166 \$
JA60	60"	57¼" to 59"	20½"	1 166 \$
JA66	66"	63¾" to 65½"	19½"	1 222 \$
JA72	72"	69½" to 71¼"	19¾"	1 287 \$
JAXL	XL	71½" to 73¼"	21¼"	1 287 \$

To be installed behind tub lip, between 2 finished walls, on a finished floor.

It is possible to cut the skirt panel if required (up to 6" less in length, up to 3" less in Tile Flanges not included, see p.55 for flanges for bath configurations.



Keypad options

Color	Code	Price
White	C01	included*
Biscuit	C02	included*
Gold	C12	212 \$
Chrome**	C14	212 \$
Brushed nickel	C16	212 \$

*No charge with product of same color

**No charge on special color

Keypad for AeroMassage and Super AeroMassage



Keypad for Comfort Air

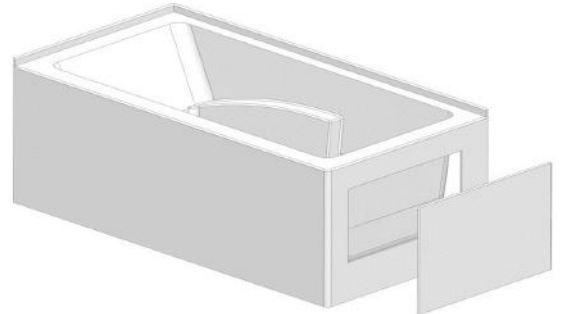


Installation panel for SUITE et LOFT bathtubs

Code	Description	Price
TI-DR	Installation panel - DRAIN SIDE (shown here)	404 \$
TI-DO	Installation panel - BACK REST SIDE	404 \$

Opening dimension : 22" x 11 $\frac{3}{4}$ "

Installation panel dimension : 26" x 17 $\frac{1}{4}$ "



Installation panel for URBANIA bathtubs

Code	Description	Price
TI-UR-DR	Installation panel for Urbania- DRAIN SIDE (shown here)	404 \$
TI-UR-DO	Installation panel for Urbania - BACK REST SIDE	404 \$

Opening dimension : 22" x 7 $\frac{3}{8}$ "

Installation panel dimension : 26" x 12 $\frac{3}{8}$ "

Color chart

Oceania products color				Equivalents*	
Code	Color	Acrylic code	Lucite	Kohler	American Standard
01	White	WT6064	White	White	
02	Biscuit	BN6528	Biscuit	Biscuit	Linen
48	Black	BK6252	Black		

*Equivalents correspond to Lucite, Kohler and American Standard matching Oceania products colors

Special acrylic colors for alcove and deck-mounted bathtubs

Code	Description	Price
INT02	Interior BISCUIT	1 532 \$
INT48	Interior BLACK	1 532 \$

Non-returnable products

Special acrylic colors and finishes for freestanding bathtubs EXTERIOR(skirt).

Code	Description	Price
EXT01M	Exterior matte WHITE	1 416 \$
EXT48	Exterior BLACK glossy acrylic	1 532 \$
EXTXXM*	Exterior matte CUSTOM COLOR ⁺	2 371 \$

Non-returnable products

*This finish is covered by a 1-year warranty against all manufacturing defects.

⁺Benjamin Moore color code required (only Benjamin Moore accepted)

Special Finish - Exclusively available on our Authentic Signature freestanding bathtubs.

Code	Description	Price
SW101	Black Carbon Fiber Finish	2 963 \$
SW102	Gray Carbon Fiber Finish	2 963 \$
SW103	Desert Gold Carbon Fiber Finish	2 963 \$
SW104	Concrete Finish	2 963 \$
SW105	Brushed Aluminum Finish	2 963 \$

Non-returnable products

Return of goods policy

Return of goods for repair, warranty claims, credit or any other reason will not be accepted without a RETURN GOODS AUTHORIZATION (RGA) number. Such number can be obtained from the Oceania Baths Customer Care Team upon request, provided that all of the necessary information is available regarding the proposed return. Defective goods will be repaired, replaced or credited, at the discretion of Oceania Baths, at no additional charge.

A 10% inspection and repackaging fee applies on all returns, plus a minimum of 15% restocking charge applies to all non-defective products returned for credit within the first 60 days after purchase. Thereafter, a larger restocking charge will be applied based upon the date of original shipment. Products will not be accepted for return 120 days after their original ship date. Oceania Baths additionally reserves the right to impose a repair charge when products are returned damaged and cannot be directly resold.

RGA will be issued on acrylic white products only and without special finishes.

Below items are NOT RETURNABLE:

- Any bathtub equipped with any type of system, chromotherapy, aluminum tile flange and/or linear overflow.
- Any product that is any other color than acrylic white or with special finishes
- Any Optimale configuration
- Any discontinued product

All items to be returned must be sent back to Oceania Baths via pre-paid freight, with the RETURN GOODS AUTHORIZATION (RGA) form on the carton or with the packing slip. No freight collect shipments will be accepted as well as unauthorized returns.

It is the shipper's responsibility to provide adequate packaging to protect the product being returned. Oceania Baths reserves the right to accept or reject the returned product subject to an inspection upon receipt. Products that are returned damaged will be rejected and therefore will not qualify for return credit.

The following chart defines the inspection and minimum restocking charge that will be applied for goods accepted for return by Oceania Baths. It does not include any additional charge that may apply for damaged products or those needing rework.

Inspection and repackaging fees (Applies to all returns)	10%
DAYS SINCE SHIPPING	RESTOCKING CHARGE
0-60	15%
60-120	30%
121+	RETURNS NOT ACCEPTED

Special note for shower doors

Shower doors packaging must be impeccable to justify a credit. A flat rate of 20% for inspection and restocking will be charged. If the door box is damaged, if parts are missing or damaged, no credit will be issued.

If you have any questions concerning this return policy please contact Oceania Baths Customer Care Team at 1-877-332-4224.

PRICE
LIST
USA

20
23

Bains Oceania

591, avenue des Entreprises
Thetford Mines (Québec)
Canada G6H 4B2

Head Office, Order Desk
& Technical Support

T 1 877 332-4224
F 1 866 460-4334

oceania-attitude.com

20
23

LUCITE[®]
cast acrylic

