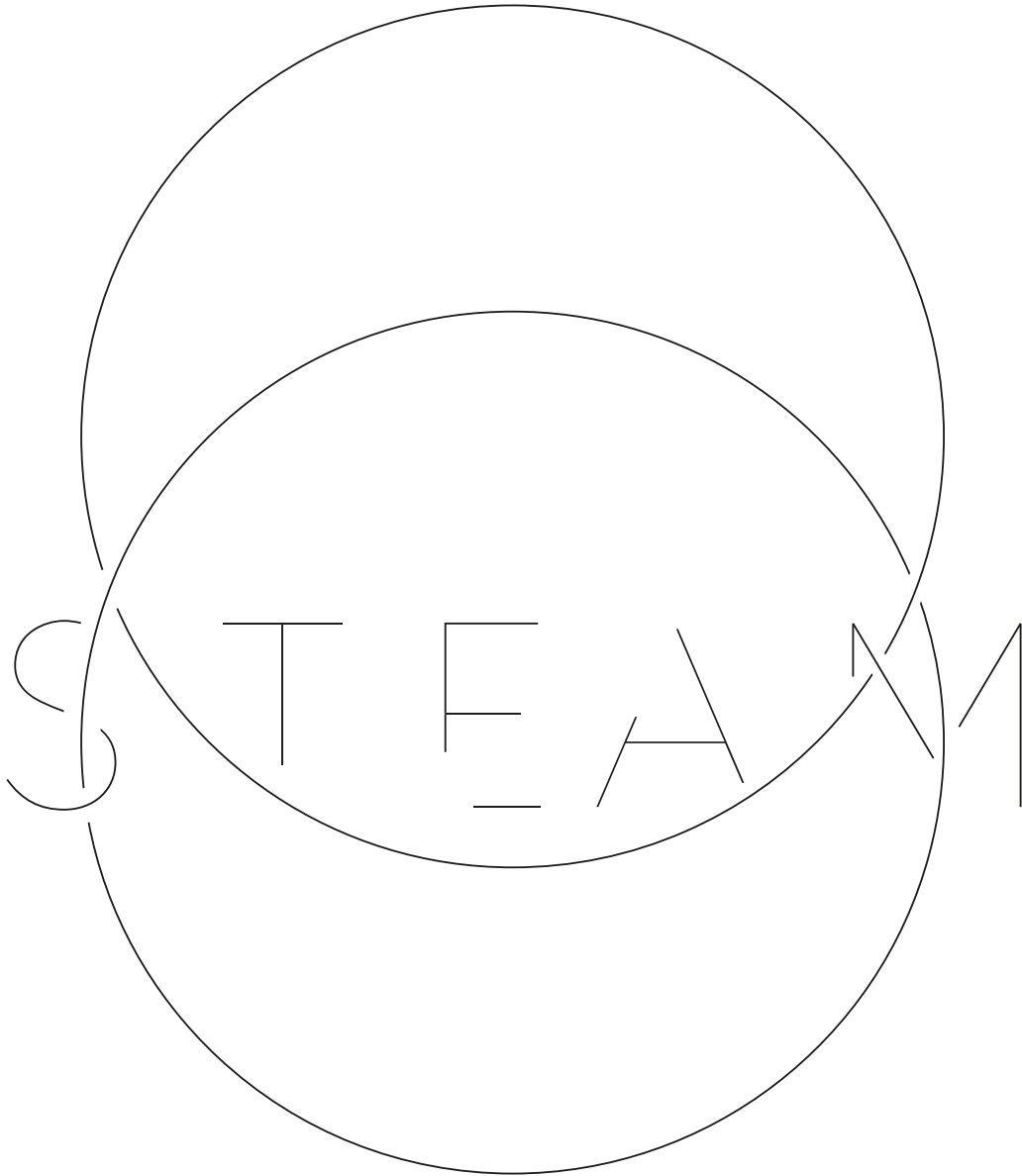


# effe

PERFECT WELLNESS  
BY EFFEGIBI



Perfect   
Wellness

PRICE LIST  
2022/2023

This price list is available in digital,  
interactive format to make it easier to consult,  
Download it at the link on the private area:  
<https://www.perfectwellnessgroup.com>

## **Hammam:**

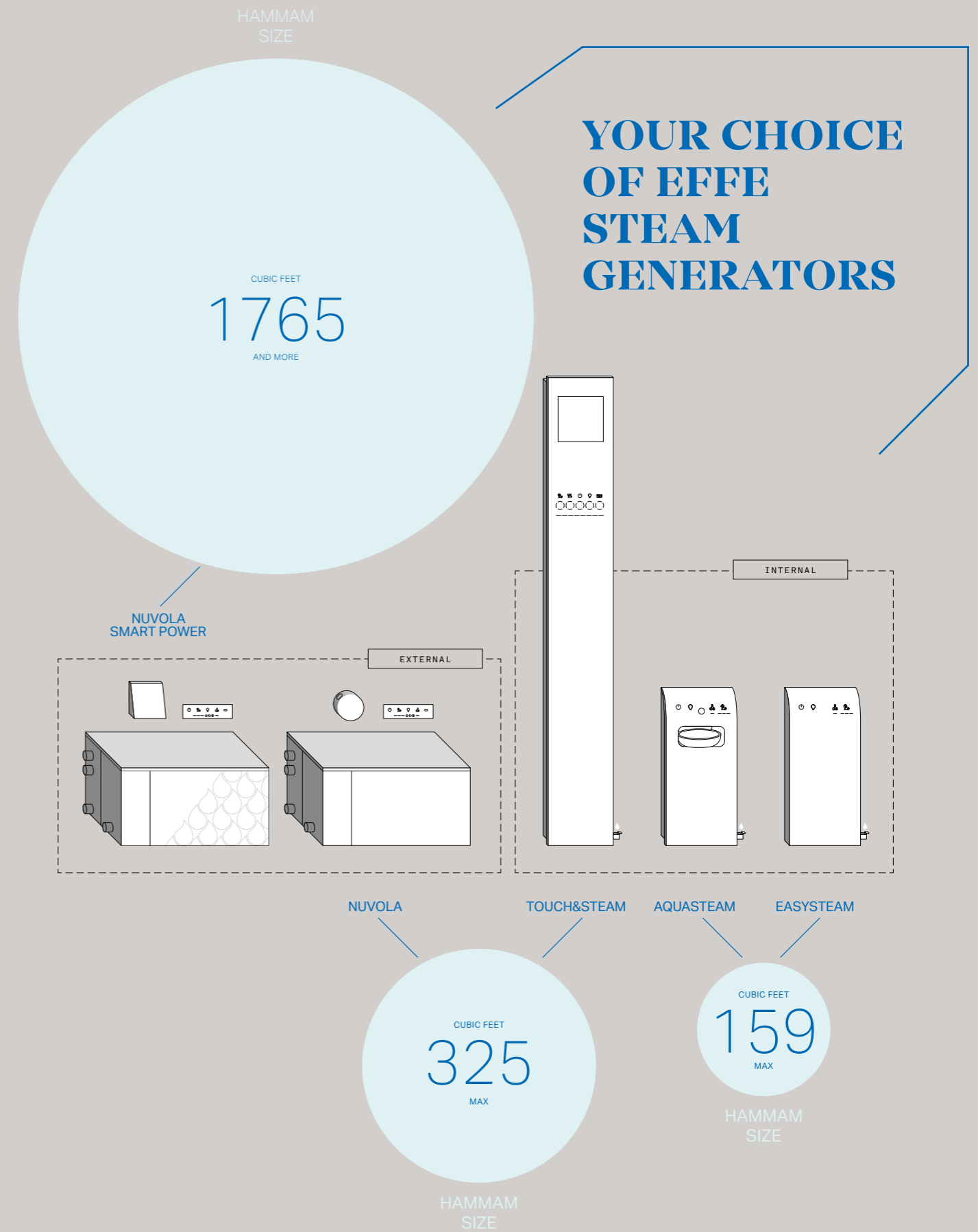
### Steam generators:

16	Nuvola
22	Nuvola Smart Power
34	Easystem
40	Aquasteam
46	Touch&Steam

### Related products:

52	FitBox
56	Doors and glass panels
68	Insulation Kit
70	Fittings
76	General Terms and Condition of Sale

# How to choose the right generator



# GENERATOR SIZE

To have the correct amount of steam for your new home spa experience, use the equation below to determine the correct steam generator model.

Measure length, width and height of the steam enclosure (in feet):

Multiply the **Length** x **Width** x **Height** = **Room volume**

Please, check **ROW 1** if you use a 1/2" insulation kit (recommended but not mandatory)

or **ROW 2** if you don't use one.



Visit [perfectwellnessgroup.com](https://perfectwellnessgroup.com), it will take you step-by-step through the steam generator selection process.

ROW 1	MAX SPACE VOLUME (CUBIC FT) WITH USE OF 1/2" INSULATION KIT	00-88.28	88.28-123.6	123.6-158.92	158.92-194.23	194.23-254.26	254.26-325	325-423.77	423.77-529.72	529.72-882.86	882.86-1236	1236-1765.7
ROW 2	MAX SPACE VOLUME (CUBIC FT) WITHOUT USE OF 1/2" INSULATION KIT	/	/	0-115	115-140	140-170	170-220	220-400	400-500	500-700	700-950	950-1300
NAME OF UNIT												
EXTERNAL STEAM GENERATORS	NUVOLA SMART POWER 25	.										
	NUVOLA SMART POWER 30		.									
	NUVOLA 45 / NUVOLA SMART POWER 45			.								
	NUVOLA SMART POWER 55				.							
	NUVOLA 70 / NUVOLA SMART POWER 70					.						
	NUVOLA 90 / NUVOLA SMART POWER 90						.					
	NUVOLA SMART POWER 110							.				
	NUVOLA SMART POWER 140								.			
	NUVOLA SMART POWER 180									.		
	NUVOLA SMART POWER 250										.	
NUVOLA SMART POWER 360											.	
INTERNAL STEAM GENERATORS	EASYSTEAM 30											
	EASYSTEAM 45			.								
	AQUASTEAM 30											
	AQUASTEAM 45			.								
	TOUCH&STEAM 30											
	TOUCH&STEAM 45			.								
	TOUCH&STEAM 60				.							
	TOUCH&STEAM 90						.					

	NAME OF UNIT	INTERNAL CONTROL PANEL	ADDITIONAL EXTERNAL CONTROL PANEL	DIFFUSERS/ STEAM HEAD	RGB LIGHT WITH BLUETOOTH SPEAKERS	RGB LIGHT WITH PASSIVE SPEAKERS	ADDITIONAL CHROMOTHERAPY LIGHT	WHITE LIGHT ONLY
EXTERNAL STEAM GENERATORS	<b>NUVOLA SMART POWER 25</b>	INCLUDED	CH90000182 + ME60000042	INCLUDED	CH90000174 + HA70100008	CH90000174 + HA70100005	CH90000174 + HA70100005	CH90000174 + HA70000009
	<b>NUVOLA SMART POWER 30</b>	INCLUDED	CH90000182 + ME60000042	INCLUDED	CH90000174 + HA70100008	CH90000174 + HA70100005	CH90000174 + HA70100005	CH90000174 + HA70000009
	<b>NUVOLA 45 / NUVOLA SMART POWER 45</b>	INCLUDED	CH90000182 + ME60000042	INCLUDED	CH90000174 + HA70100008	CH90000174 + HA70100005	CH90000174 + HA70100005	CH90000174 + HA70000009
	<b>NUVOLA SMART POWER 55</b>	INCLUDED	CH90000182 + ME60000042	INCLUDED	CH90000174 + HA70100008	CH90000174 + HA70100005	CH90000174 + HA70100005	CH90000174 + HA70000009
	<b>NUVOLA 70 / NUVOLA SMART POWER 70</b>	INCLUDED	CH90000182 + ME60000042	INCLUDED	CH90000174 + HA70100008	CH90000174 + HA70100005	CH90000174 + HA70100005	CH90000174 + HA70000009
	<b>NUVOLA 90 / NUVOLA SMART POWER 90</b>	INCLUDED	CH90000182 + ME60000042	INCLUDED	CH90000174 + HA70100008	CH90000174 + HA70100005	CH90000174 + HA70100005	CH90000174 + HA70000009
	<b>NUVOLA SMART POWER 110</b>	INCLUDED	CH90000182 + ME60000042	INCLUDED	CH90000174 + HA70100008	CH90000174 + HA70100005	CH90000174 + HA70100005	CH90000174 + HA70000009
	<b>NUVOLA SMART POWER 140</b>	INCLUDED	CH90000182 + ME60000042	INCLUDED	CH90000174 + HA70100008	CH90000174 + HA70100005	CH90000174 + HA70100005	CH90000174 + HA70000009
	<b>NUVOLA SMART POWER 180</b>	INCLUDED	CH90000182 + ME60000042	INCLUDED	CH90000174 + HA70100008	CH90000174 + HA70100005	CH90000174 + HA70100005	CH90000174 + HA70000009
	<b>NUVOLA SMART POWER 250</b>	INCLUDED	CH90000182 + ME60000042	INCLUDED	CH90000174 + HA70100008	CH90000174 + HA70100005	CH90000174 + HA70100005	CH90000174 + HA70000009
<b>NUVOLA SMART POWER 360</b>	INCLUDED	CH90000182 + ME60000042	INCLUDED	CH90000174 + HA70100008	CH90000174 + HA70100005	CH90000174 + HA70100005	CH90000174 + HA70000009	
INTERNAL STEAM GENERATORS	<b>EASYSTEAM 30</b>	INCLUDED	CH90000172 + ME60000033	INCLUDED	CH90000174 + HA70100008	CH90000174 + HA70100005	CH90000174 + HA70100005	CH90000174 + HA70000009
	<b>EASYSTEAM 45</b>	INCLUDED	CH90000172 + ME60000033	INCLUDED	CH90000174 + HA70100008	CH90000174 + HA70100005	CH90000174 + HA70100005	CH90000174 + HA70000009
	<b>AQUASTEAM 30</b>	INCLUDED	CH90000172 + ME60000033	INCLUDED	CH90000174 + HA70100008	CH90000174 + HA70100005	CH90000174 + HA70100005	CH90000174 + HA70000009
	<b>AQUASTEAM 45</b>	INCLUDED	CH90000172 + ME60000033	INCLUDED	CH90000174 + HA70100008	CH90000174 + HA70100005	CH90000174 + HA70100005	CH90000174 + HA70000009
	<b>TOUCH&amp;STEAM 30</b>	INCLUDED	CH90000172 + ME60000033	INCLUDED	INCLUDED	INCLUDED	CH90000174 + HA70100005	CH90000174 + HA70000009
	<b>TOUCH&amp;STEAM 45</b>	INCLUDED	CH90000172 + ME60000033	INCLUDED	INCLUDED	INCLUDED	CH90000174 + HA70100005	CH90000174 + HA70000009
	<b>TOUCH&amp;STEAM 60</b>	INCLUDED	CH90000172 + ME60000033	INCLUDED	INCLUDED	INCLUDED	CH90000174 + HA70100005	CH90000174 + HA70000009
<b>TOUCH&amp;STEAM 90</b>	INCLUDED	CH90000172 + ME60000033	INCLUDED	INCLUDED	INCLUDED	CH90000174 + HA70100005	CH90000174 + HA70000009	

# Steam Generators

## EXTERNAL STEAM GENERATORS

	kW	Volt	Amps	Wire Size (AWG)	Water Usage Gallons/h	Shipping Wt. (lbs)
<b>Nuvola Smart Power 25</b>	2.5	208 1Ph	12.02	8	1	38
		208 3Ph*	6.94			
		240 1Ph	10.42			
<b>Nuvola Smart Power 30</b>	3	208 1Ph	14.42	8	1.3	38
		208 3Ph*	8.34			
		240 1Ph	12.5			
<b>Nuvola Smart Power 45 / Nuvola 45</b>	4.5	208 1Ph	21.63	8	1.9	38
		208 3Ph*	12.49			
		240 1Ph	18.75			

	kW	Volt	Amps	Wire Size (AWG)	Water Usage Gallons/h	Shipping Wt. (lbs)
<b>Nuvola Smart Power 55</b>	5.2	208 1Ph	25	8	2.3	40
	5.2	208 3Ph*	14.43	8		
	5.5	240 1Ph	22.92	8		
<b>Nuvola Smart Power 70 / Nuvola 70</b>	6.7	208 1Ph	32.21	8	2.9	40
	6.7	208 3Ph*	18,6	8		
	7	240 1Ph	29.20	8		
<b>Nuvola Smart Power 90 / Nuvola 90</b>	9	208 1Ph	43.30	8	3.8	40
	9	208 3Ph*	24.10	8		
	9	240 1Ph	37.50	8		

	kW	Volt	Amps	Wire Size (AWG)	Water Usage Gallons/h	Shipping Wt. (lbs)
<b>Nuvola Smart Power 110</b>	10.4	208 1Ph	50.00	6	4.6	47
	10.4	208 3Ph*	28.87	8		
	11	240 1Ph	45.83	6		
<b>Nuvola Smart Power 140</b>	13.4	208 1Ph	64.42	4	6	47
	13.4	208 3Ph*	37.19	8		
	14	240 1Ph	58.40	4		
<b>Nuvola Smart Power 180</b>	18	208 1Ph	86.54	3	7.5	47
	18	208 3Ph*	49.96	8		
	18	240 1Ph	75	3		

	Total kW	Partial kW	Volt	Amps	Wire Size (AWG)	Water Usage Gallons/h	Shipping Wt. (lbs)
<b>Nuvola Smart Power 250</b>	25	10.4	208 1Ph	50	6	4.6	47
		10.4	208 3Ph*	28.87	8		
		11	240 1Ph	45.83	6		
		13.4	208 1Ph	64.42	4	4.6	47
		13.4	208 3Ph*	37.19	8		
		14	240 1Ph	58.33	4		

	Total kW	Partial kW	Volt	Amps	Wire Size (AWG)	Water Usage Gallons/h	Shipping Wt. (lbs)
<b>Nuvola Smart Power 360</b>	36	18	208 1Ph	86.54	3	7.5	47
			208 3Ph *	49.96	8		
			240 1Ph	75	3		
		18	208 1Ph	86.54	3	7.5	47
			208 3Ph *	49.96	8		
			240 1Ph	75	3		

\*Check availability with the company

# Steam Generators

SURFACE MOUNTED STEAM GENERATORS

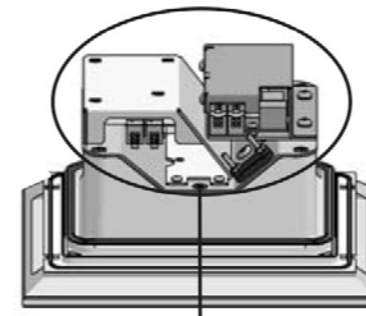
	kW	Volt	Amps	Wire Size (AWG)	Water Usage Gallons/h	Shipping Wt. (lbs)
<b>Easystem 30</b>	3	208 1Ph	14.42	8	1.3	27
		240 1Ph	12.5			
<b>Easystem 45</b>	4.5	208 1Ph	21.63	8	1.9	27
		240 1Ph	18.75			

	kW	Volt	Amps	Wire Size (AWG)	Water Usage Gallons/h	Shipping Wt. (lbs)
<b>Aquasteam 30</b>	3	208 1Ph	14.42	8	1.3	27
		240 1Ph	12.5			
<b>Aquasteam 45</b>	4.5	208 1Ph	21.63	8	1.9	27
		240 1Ph	18.75			

	kW	Volt	Amps	Wire Size (AWG)	Water Usage Gallons/h	Shipping Wt. (lbs)
<b>Touch&amp;Steam 30</b>	3	208 1Ph	14.42	8	1.3	44
		240 1Ph	12.5			
<b>Touch&amp;Steam 45</b>	4.5	208 1Ph	21.63	8	1.9	44
		240 1Ph	18.75			
<b>Touch&amp;Steam 60</b>	6	208 1Ph	29	8	2.4	44
		240 1Ph	25			
<b>Touch&amp;Steam 90</b>	9	208 1Ph	43.30	8	3.8	44
		240 1Ph	37.50			

# Chromotherapy and sound system options

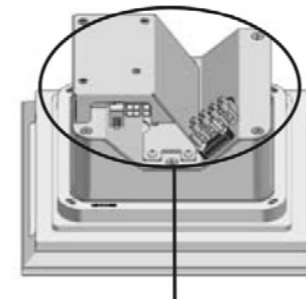
## HA70100008 (ESS With Bluetooth Speakers)



**POWER SIDE:**  
it is powered by the steam generator with a BUS. Eventually it can be powered through another bus accessory (like a light) directly connected to the steam generator.

**SOUND SIDE:**  
this item has an integrate Bluetooth amplifier. This means that IT DOESN'T need an external amplifier (like Sonos™, Control4™ or similar music system) to play the music. Any Bluetooth device can find it and associated just with a simple pairing process. This amplifier has a stereo output in order to connect another PASSIVE speaker (for instance item HA70100005)

## HA70100005 (Chromotherapy with passive Speakers)



**POWER SIDE:**  
it is powered by the steam generator with a BUS. Eventually it can be powered through another bus accessory (Like a light) directly connected to the steam generator.

**SOUND SIDE:**  
this item has 2 integrated PASSIVE SPEAKERS. This means that IT DOES need an external amplifier (like Sonos™ amp, Control4™ or similar music system) to receive the music. Those speakers can be connected with the item HA70100008 with any audio wire (provided by others) – 4 wires (2x Single Channel)

## ME99000421 (Home automation Device)

This is an additional device to control the functions of the steam generator through any smart home system (like Control 4, Lutron, Siemens, etc etc) however it doesn't interact with any sound output/Speakers. In order to have Control 4 or a smart home system controlling the speakers you need to connect the smart home system directly to the passive speakers.

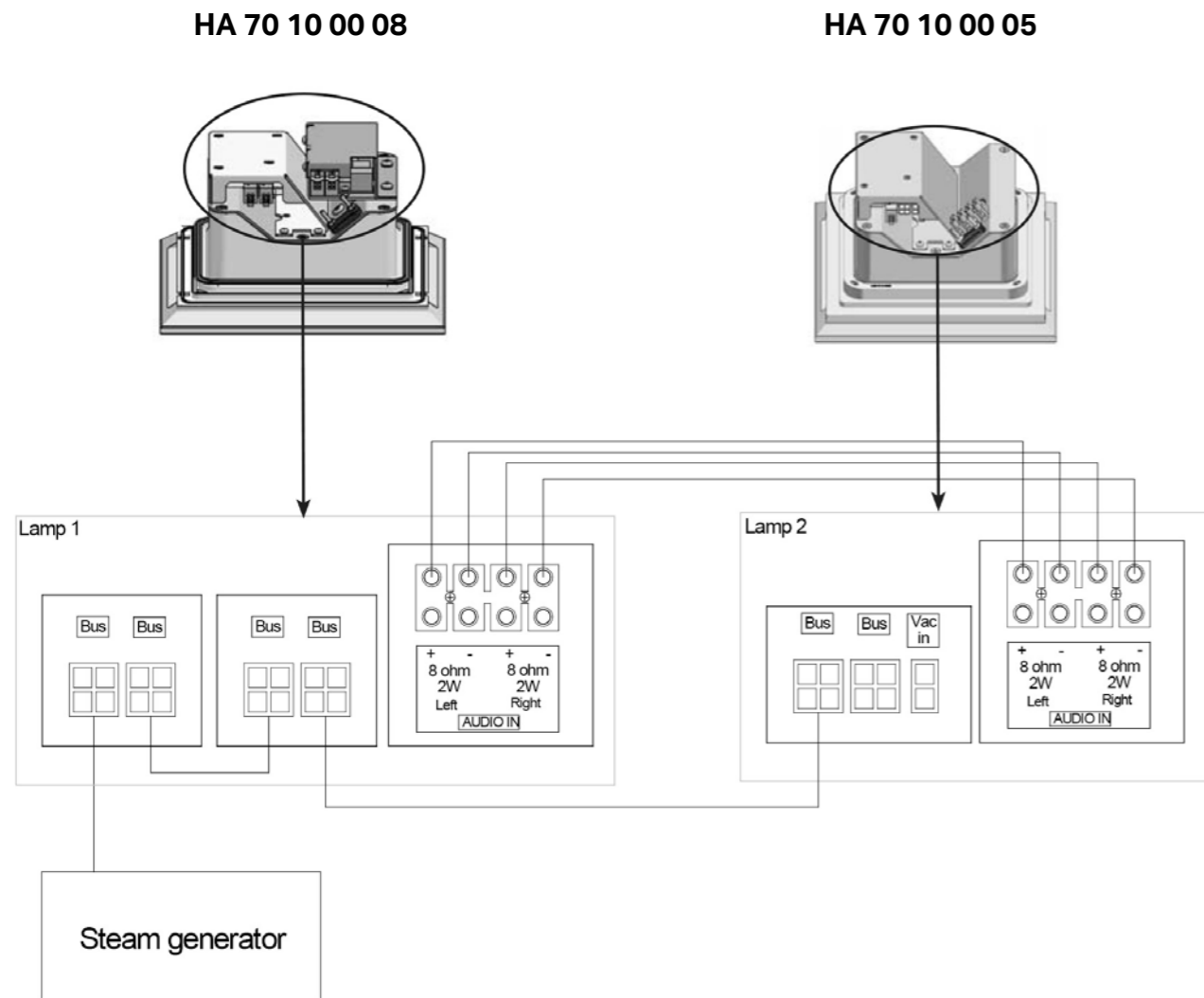
# Lights with integrated speakers

## possible installation options when 2 lights are required

### Option A - Bluetooth music source

To create a music systems controlled by a Bluetooth device you need to order HA70100008 and HA70100005. The Music will be controlled through the Bluetooth device who is connected wireless to the lights. Installer must provide and install a 4 audio wires between the connection the back of HA70100008 to the speakers of HA70100005 (Wire provided by others);

Wires to connect the Chromotherapy lights to the steam generator and to each other are included with the lights; No additional amplifier or transformer is required

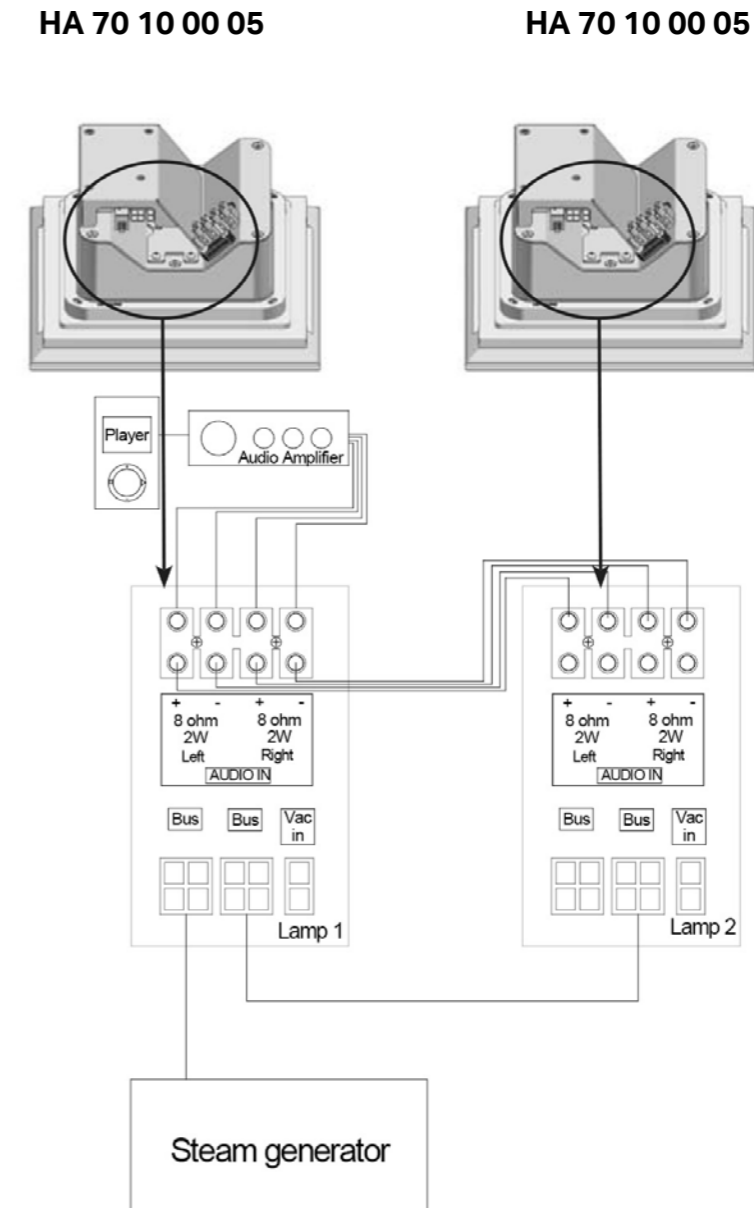


### Option B - External Amplifier

If you want to connect your home music system (For Instance: Sonos Amp/Control 4 Sound System/Bose or any amplified system) to the EFFE Chromotherapy lights with speakers you need to order 2x HA70100005. Each HA70100005 has 2 integrated passive speakers for a stereo experience.

Installer must provide and install an audio wires between the connection the back of HA70100005 to the speakers of HA70100005 (Wire provided by others);

Wires to connect the Chromotherapy lights to the steam generator and to each other are included with the items; Music will be controlled directly from the music system



# Nuvola



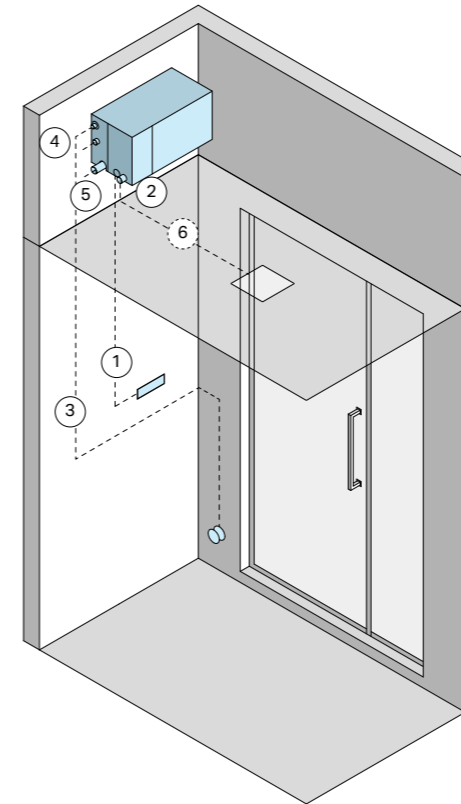
## Nuvola

Insulation Kit is recommended but not mandatory

with the use of 1/2" thick insulation kit	space volume (cubic feet)	power (kW)	without the use of 1/2" thick insulation kit	space volume (cubic feet)	power (kW)
45	123.60 - 158.92	4.5	45	72 - 115	4.5
70	194.23 - 254.26	7	70	140 - 170	7
90	254.26 - 325	9	90	170 - 220	9

# Technical information

More information: [www.effe.it](http://www.effe.it)



- ① Connection between Nuvola and the control panel
- ② Electric power supply
- ③ Steam piping
- ④ Water inlet
- ⑤ Water outlet
- ⑥ Options connection

All work must be carried out by qualified personnel or by one of our Service Centres, based on local and international standards – CEI 64.8 (IEC 364 – 1). Make sure that the electric and plumbing connections for the steam generator have been correctly set up (water line with closing gate valve, outlet siphon, power line with suitable magnetothermal residual current device, etc.) according to the related technical specifications. Connect all piping in such a way that it may be disconnected (in the event of removal of the generator for maintenance). Use brass or copper piping only. Do not use galvanised or black PVC piping.

- ① Connection between Nuvola and the control panel: Set up an electric sheath (Ø 1") (max 16' 4 27/32") to connect the steam generator to the control panel. The control panel will be placed inside the Turkish bath, at a height of about 5' 2 63/64" mm from the floor.
- ② Electric power supply: set up a power cable of suitable cross-section.
- ③ Steam piping (max 16' 4 27/32"): Lay an insulated copper pipe (Ø 55/64") without creating siphons. On the generator side, set up the piping mounted flush with the wall with a 1/2" female thread. For steam generator from 5.5, 7 and 9 kW set up two insulated copper pipings.
- ④ Water inlet: set up the piping mounted flush with the wall with a 1/2" female thread. Hook up only cold water (max 77°F). The incoming water pressure must be at least 0.2bar and not above 8bar (116PSI). For best operation, water pressure should be max. 1.5 ÷ 2 bar (21.5 ÷ 29 PSI). CAUTION: if the water is medium hard or hard, it is recommended to install a softener upstream of the generator. Otherwise, the generator boiler may be subject to significant wear and tear.
- ⑤ Water outlet: Lay a pre-siphoned heat resistant (up to 212°F) piping with a diameter of 1-1/4". The entrance to the pipe must be below the water outlet of the steam generator. To guarantee correct water flow, we recommend the piping must have a downward slope of at least 41°.
- ⑥ Sheath Ø 1" for connecting the options.

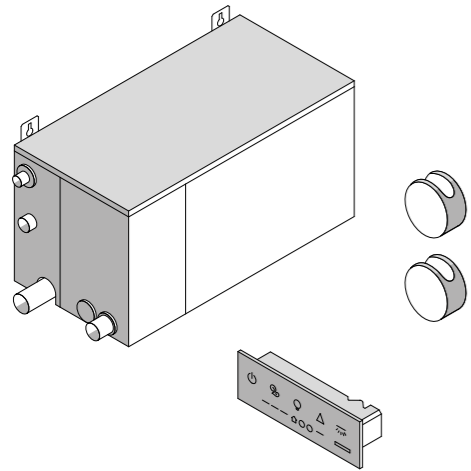
Drip Pan and autoflush valve are included in all models and are part of the SBC Package (Standard for all Nuvola Smart Power and Nuvola units)



# NUVOLA 45 - 70 - 90



Online Steam shower sizing



## NUVOLA 45

Space volume (cubic feet): 123.60 - 158.92  
 Power: 4,5 kW max - 208Vac 1PH 60Hz - 240Vac 1PH 60Hz  
 Steam generation: 14.55 lb/h max  
 (1 diffuser)

Nuvola 45 - 208V 1Ph	HK 50 51 1003	\$ 4,250.00
Nuvola 45 - 240V 1Ph	HU 50 51 1003	\$ 4,250.00

[Technical card download](#)

## NUVOLA 70

Space volume (cubic feet): 194.23 - 254.26 (\*\*)  
 Power: 7,0 kW max - 208Vac 1PH 60Hz - 240Vac 1PH 60Hz  
 Steam generation: 22.48 lb/h max  
 (2 diffusers)

Nuvola 70 - 208V 1Ph	HK 50 51 1005	\$ 4,890.00
Nuvola 70 - 240V 1Ph	HU 50 51 1005	\$ 4,890.00

[Technical card download](#)

## NUVOLA 90

Space volume (cubic feet): 254.26 - 325 (\*\*)  
 Power: 9,0 kW max - 208Vac 1PH 60Hz - 240Vac 1PH 60Hz  
 Steam generation: 28.88 lb/h max  
 (2 diffusers)

Nuvola 90 - 208V 1PH	HK 50 51 1006	\$ 4,950.00
Nuvola 90 - 240V 1Ph	HU 50 51 1006	\$ 4,950.00

[Technical card download](#)

(\*) The price is for the complete set: generator, control panel and steam diffuser.

(\*\*) With the use of 1/2" insulation kit

### STEAM GENERATOR DIMENSIONS

cm 52 x 26 x 27 h 1' 8 15/32" x 10 15/64" x 10 5/8" h

### CONTROL PANEL DIMENSIONS

Mounting box: cm 19 x 8 x 4,3 h 7 31/64" x 3 5/32" x 1' 11/16" h  
 Control Panel: cm 18 x 6 h 7 3/32" x 2' 23/64" h

\*Included 17' long wire.  
 For additional extension check page 20

### STEAM DIFFUSER DIMENSIONS

cm Ø5 x 3,5 Ø1 31/32" x 1 3/8"

## Price includes:

### 1. STEAM GENERATOR

- **RWF** Regulating water flow - Can work on a wide range of water systems with different pressures
- **SWF** Smart Water Filling - Optimised management of boiler filling
- **SBC** Smart Boiler Cleaning - Dilution and intermediate rinsing processes not time controlled but based on real need.  
**Autoflush** is included
- **SEC** Smart Energy Control - Evenly spaced on/off periods fro theheating elements
- **ODS** Open Door Sensor - Open Door Sensor

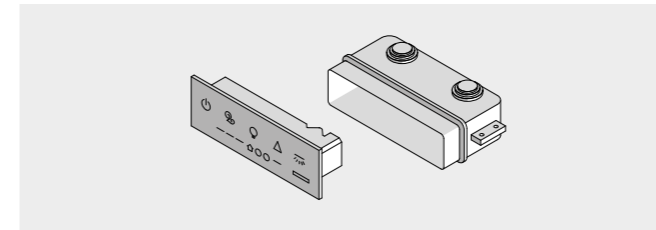
### 2. STEAM DIFFUSER (1 piece for Nuvola 45, 2 pieces for Nuvola 70 and 90) with essential oils container. Standard finish provided with the steam generator: **Polished Chrome**.

### 3. TOUCH-SCREEN CONTROL PANEL with backlit icons and temperature gauge

### 4. CONTROL PANEL MOUNTING BOX

# Options

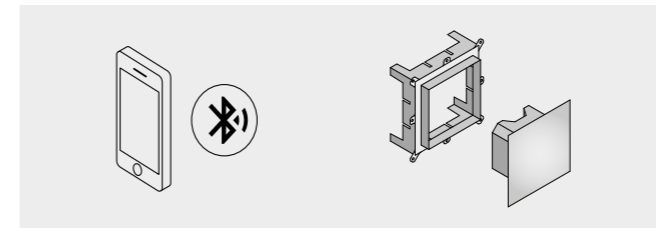
NOTE: NUVOLA 45 - 70 - 90 CAN POWER UP TO 2 OPTIONAL CEILING LIGHT FITTINGS OF YOUR CHOICE FROM THE ESS - EFFE SOUND SYSTEM, CHROMOTHERAPY AND WHITE LIGHT.



### Remote touch-screen control panel

Control panel dimensions: 6 1/2 x 1 31/32"  
 Mounting box dimensions: 6 19/64 x 2 3/4 x 1 49/64" h with Schlüter waterproofing mat. Bus wire ( 16.40' - 5mt) included.

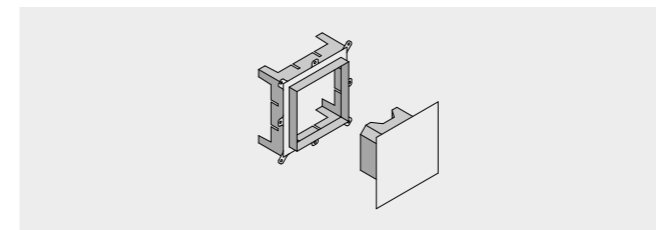
Mounting box	CH 90 00 0182	\$ 30.00
Remote touch-screen control panel	ME 60 00 0042	\$ 720.00
<b>Total Price</b>		<b>\$ 750.00</b>



### ESS - Effe Sound System Kit with Chromotherapy, white light and Bluetooth speakers

Light fixture dimensions: 7 7/8 x 7 7/8 x 25/32"  
 Mounting box dimensions: 8 5/64 x 8 5/64 x 4 11/64" h with Schlüter waterproofing mat  
 IP X5 class - Built-in loudspeakers, each 2W - 8 Ohm  
 Bus wire ( 16.40' - 5mt) Included  
[More information](#)

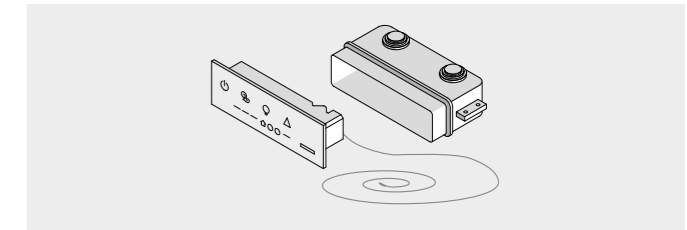
Mounting box	CH 90 00 0174	\$ 175.00
ESS kit with ceiling light fitting	HA 70 10 0008	\$ 2,360.00
<b>Total Price</b>		<b>\$ 2,535.00</b>



### White light fixture

Light fixture dimensions: 7 7/8 x 7 7/8 x 25/32"  
 Mounting box dimensions: 8 5/64 x 8 5/64 x 4 11/64" h with Schlüter waterproofing mat IP X5 class  
 Bus wire ( 16.40' - 5mt) Included

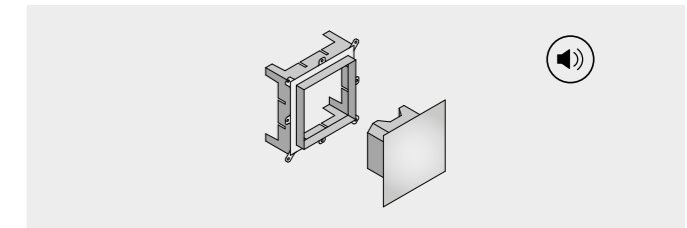
Mounting box	CH 90 00 0174	\$ 175,00
White light fixture	HA 70 00 0009	\$ 690,00
<b>Total Price</b>		<b>\$ 865,00</b>



### Remote control panel with remote temperature probe

Control panel dimensions: 6 1/2 x 1 31/32"  
 Mounting box dimensions: 6 19/64 x 2 3/4 x 1 49/64" h with Schlüter waterproofing mat  
 Price for the replacement of the internal standard control panel  
 Bus wire ( 16.40' - 5mt) included.

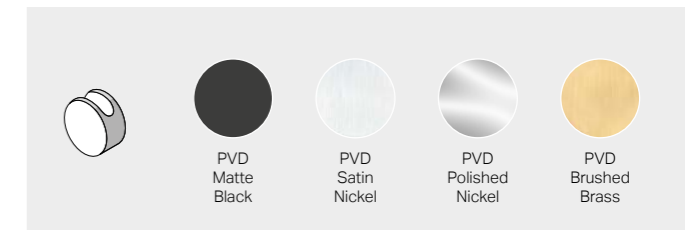
Mounting box	CH 90 00 0182	\$ 30.00
Remote touch-screen control panel	ME 60 00 0049	\$ 720.00
<b>Total Price</b>		<b>\$ 750.00</b>



### Light fixture with Chromotherapy, white light and loudspeakers

Light fixture dimensions: 7 7/8 x 7 7/8 x 25/32"  
 Mounting box dimensions: 8 5/64 x 8 5/64 x 4 11/64" h with Schlüter waterproofing mat  
 IP X5 class - Built-in loudspeakers, each 2W - 8 Ohm  
 Bus wire ( 16.40' - 5mt) Included  
[More information](#)

Mounting box	CH 90 00 0174	\$ 175.00
Chromotherapy and loudspeakers	HA 70 10 0005	\$ 1,750.00
<b>Total Price</b>		<b>\$ 1,925.00</b>



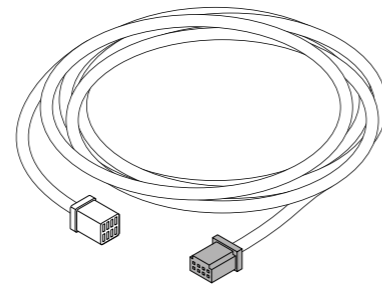
### Steam diffusers finishes

Steam diffusers with PVD finishes. Replaces the standard polished chrome diffusers provided with initial steam generator kit. One piece per item code.

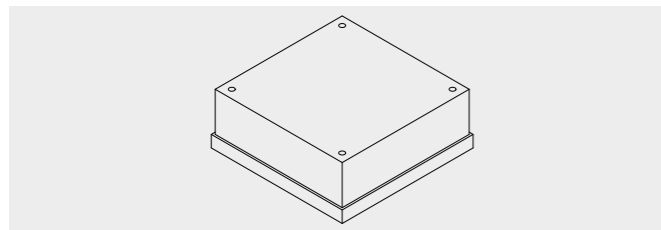
PVD Matte Black	CH 75 00 0038	\$ 250.00
PVD Satin Nickel	CH 75 00 0039	\$ 250.00
PVD Polished Nickel	CH 75 00 0040	\$ 250.00
PVD Brushed Brass	CH 75 00 0041	\$ 250.00

# WIRE EXTENSIONS FOR NUVOLA

	CODE	PRICE	COMPATIBILI	USE
<b>Extension cable for control panel 19' 8 7/32" (6 mt)</b>	Cod: ME 82 00 0126	\$ 96.00	NUVOLA	CONTROL PANEL
<b>Extension cable for control panel 49' 2 35/64" (15mt)</b>	Cod: ME 82 00 0132	\$ 152.00	NUVOLA	CONTROL PANEL
<b>Bus cable 22' 11 19/32" (7mt)</b>	Cod: ME 82 00 0053	\$ 80.00	NUVOLA	LIGHTS
<b>Extension bus cable 16' 4 24/32" (5mt)</b>	Cod: ME 82 00 0058	\$ 92.00	NUVOLA	LIGHTS



## COMPATIBLE OPTIONS FOR ALL NUVOLA MODELS



### Controller for AROMA/VENTILATION/INTAKE AIR DUMPERS

This interface allows the user to have Nuvola Smart Power controlling up to 3 devices: Aroma Pump / Ventilation Dumper / Intake Air Dumper. Dupers and aroma pump not included.

ME 99 00 0431 \$ 1,450.00

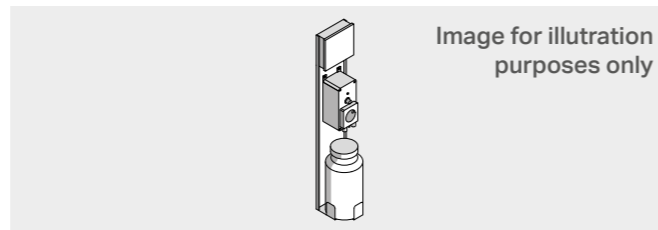


Image for illustration purposes only

### FRAGRANCE METERING PUMP

The Fragrance metering pump creates the perfect steam aroma therapy experience, especially in commercial installation. We recommend to buy the pump in combination with item code CH15000034.

PWAROMA \$ 1,450.00

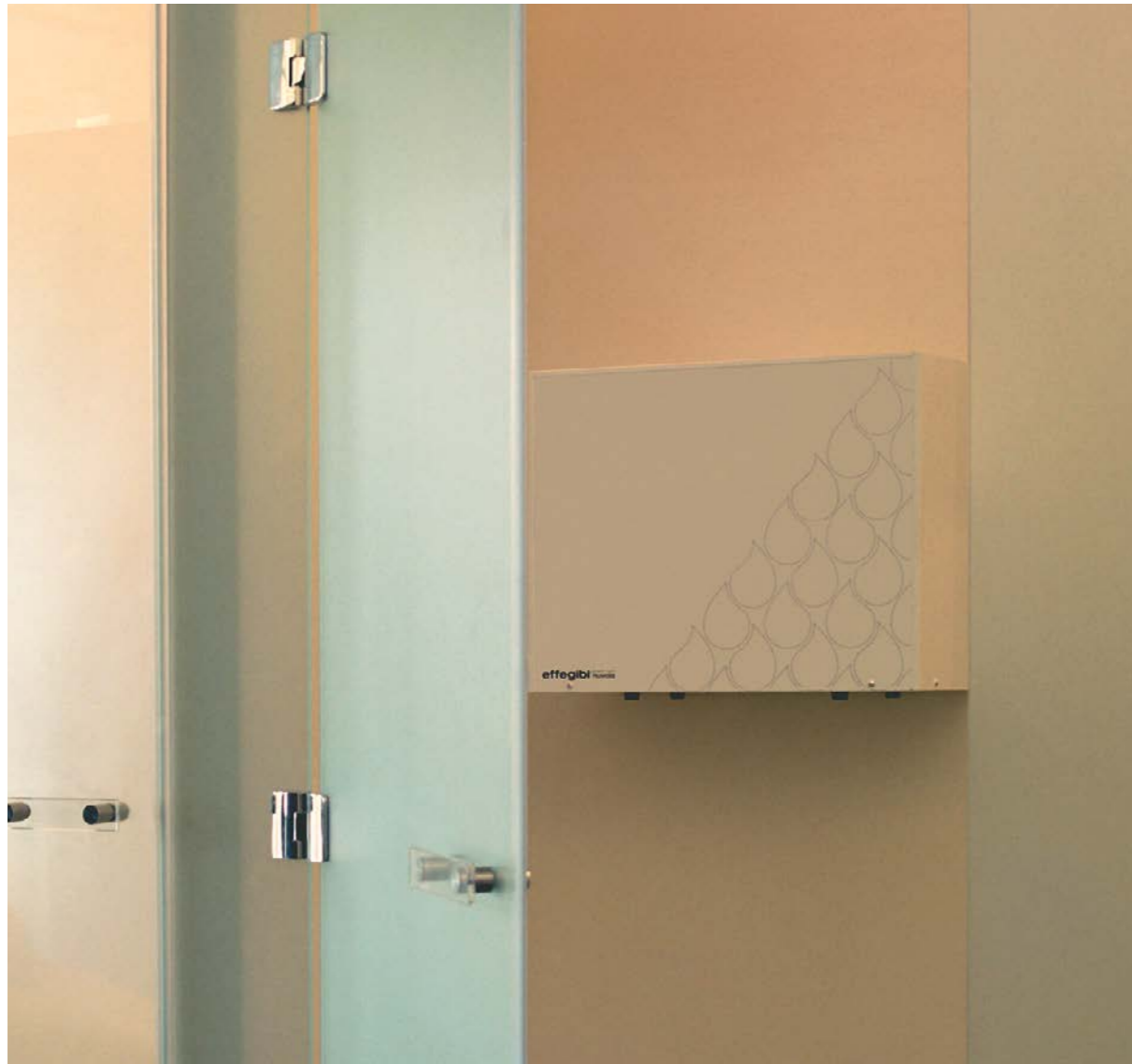
# NUVOLA

Quote request form hammam with Nuvola for Turkish baths with space volume from 0 to 325 cubic feet

<b>Customer</b>	<b>Showroom Sales Assistant</b>
<b>Date</b>	<b>Contact</b>
<b>Town</b>	<b>Local Agency</b>
<b>Thelophone</b>	<b>Steam bath dimensions - cm</b> SPECIFY THE SIDE THE DOOR IS LOCATED ON
<b>E-mail</b>	<b>Electrical power available - kW</b>
<b>Fax</b>	<b>Possibility to increase power</b> <input type="checkbox"/> YES <input type="checkbox"/> NO
<b>DOORS AND GLASS PANELS</b> <input type="checkbox"/> Fit <input type="checkbox"/> Tuttovetro Inside <input type="checkbox"/> Tuttovetro Contour	<b>FITTINGS</b> Indicate the series (Mini, Linea ALU, Topkapi, Logica, bench ready for the covering) the finishing and the colour.  <b>OPTIONS</b> <input type="checkbox"/> Remote control panel <input type="checkbox"/> Remote control panel with remote temperature probe <input type="checkbox"/> ESS - Effe Sound System <input type="checkbox"/> Light fixture with colour therapy and loudspeakers <input type="checkbox"/> White light fixture

PLAN

# Nuvola Smart Power



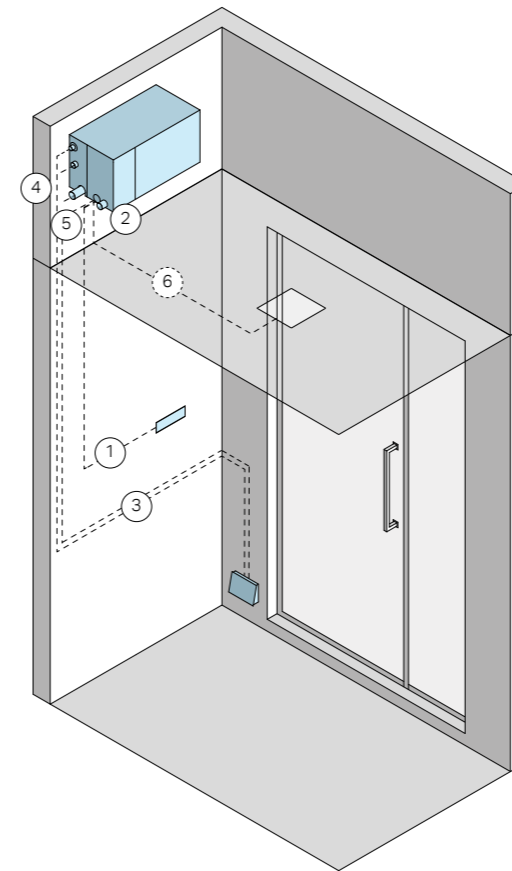
## Nuvola Smart Power

Insulation Kit is recommended but not mandatory

with the use of 1/2" thick insulation kit	space volume (cubic feet)	power (kW)	without the use of 1/2" thick insulation kit	space volume (cubic feet)	power (kW)
25	0.00 - 88.28	2.5	25	-	-
30	88.28 - 123.60	3.5	30	-	-
45	123.60 - 158.92	4.5	45	72 - 115	4.5
55	158.92 - 194.23	5.5	55	115 - 140	5.5
70	194.23 - 254.26	7	70	140 - 170	7
90	254.26 - 325	9	90	170 - 220	9
110	325 - 423.77	11	110	220 - 400	11
140	423.77 - 529.72	14	140	400 - 500	14
180	529.72 - 882.86	18	180	500 - 700	18
250	882.86 - 1236	25	250	700 - 950	25
360	1236 - 1765.7	36	360	950 - 1300	36

# Technical information

More information: [www.effe.it](http://www.effe.it)



- ① Connection between Nuvola Smart Power and the control panel
- ② Electric power supply
- ③ Steam piping
- ④ Water inlet
- ⑤ Drain
- ⑥ Options connection

All work must be carried out by qualified personnel or by one of our Service Centres, based on local and international standards – CEI 64.8 (IEC 364 – 1). Make sure that the electric and plumbing connections for the steam generator have been correctly set up (water line with closing gate valve, outlet siphon, power line with suitable magnetothermal residual current device, etc.) according to the related technical specifications. Connect all piping in such a way that it may be disconnected (in the event of removal of the generator for maintenance). Use brass or copper piping only. Do not use galvanised or black PVC piping.

① Connection between Nuvola Smart Power and the control panel: set up an electric sheath (Ø 1") (max 16' 4 27/32") to connect the steam generator to the control panel. The control panel will be placed inside the Turkish bath, at a height of about 5' 2 63/64" from the floor, do not place the control panel above the steam diffuser.

② Electric power supply: set up a power cable of suitable cross-section.

③ A - Steam piping (max 16' 4 27/32"): set up an insulated copper piping (Ø 55/64") without siphons. On the generator side, set up the piping mounted flush with the wall with a 1/2" female thread. B - Electric power supply steam diffuser: set up an electric sheath (Ø 1") from steam generator to steam diffuser.

④ Water inlet: set up the piping mounted flush with the wall with a 1/2" female thread. Hook up only cold water (max 77 °F). Inlet water pressure must not exceed 8 bar (116PSI). For best operation, water pressure should be max. 1.5 ÷ 2 bar (21.5 ÷ 29 PSI).

CAUTION: if the water is medium hard or hard, it is recommended to install a softener upstream of the generator. Otherwise, the generator boiler may be subject to significant wear and tear.

⑤ Water outlet: set up 1/2" female, heat resistant (up to 212 °F) siphoned piping mounted flush with the wall; the outlet pipe must ensure correct water outflow, therefore, a downward slope of at least 41° is recommended.

⑥ Sheath Ø 1" for connecting the options.

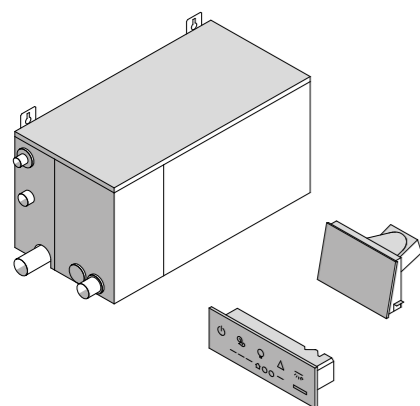
Drip Pan and autoflush valve are included in all models and are part of the SBC Package (Standard for all Nuvola Smart Power and Nuvola units)



# NUVOLA SMART POWER 25 - 30 - 45



Online Steam shower sizing



## NUVOLA SMART POWER 25

Space volume (cubic feet): 0.00 - 88.28 (\*\*)  
 Power: 2,5 kW max - 208Vac 1Ph 60Hz - 240Vac 1Ph 60Hz  
 Steam generation: 8.15 lb/h max

Control panel mounting box	CH 90 00 0182	\$ 30.00
Steam diffuser counterbox	CH 90 00 0194	\$ 175.00
Nuvola Smart Power 25-208Vac	HK 50 52 0001	(\$ 5,800.00)
Nuvola Smart Power 25-240Vac	HU 50 52 0001	
<b>Total Price</b>		<b>\$ 6,005.00</b>

[Technical card download](#)

## NUVOLA SMART POWER 30

Space volume (cubic feet): 88.28 - 123.60 (\*\*)  
 Power: 3 kW max - 208Vac 1PH 60Hz - 240Vac 1PH 60Hz  
 Steam generation: 9.7 lb/h max

Control panel mounting box	CH 90 00 0182	\$ 30.00
Steam diffuser counterbox	CH 90 00 0194	\$ 175.00
Nuvola Smart Power 30-208Vac	HK 50 52 0002	(\$ 5,800.00)
Nuvola Smart Power 30-240Vac	HU 50 52 0002	
<b>Total Price</b>		<b>\$ 6,005.00</b>

[Technical card download](#)

## NUVOLA SMART POWER 45

Space volume (cubic feet): 123.60 - 158.92 (\*\*)  
 Power: 4,5 kW max - 208Vac 1PH 60Hz - 240Vac 1PH 60Hz  
 Steam generation: 14.55 lb/h max

Control panel mounting box	CH 90 00 0182	\$ 30.00
Steam diffuser counterbox	CH 90 00 0194	\$ 175.00
Nuvola Smart Power 45-208Vac	HK 50 52 0003	(\$ 5,800.00)
Nuvola Smart Power 45-240Vac	HU 50 52 0003	
<b>Total Price</b>		<b>\$ 6,005.00</b>

[Technical card download](#)

(\*) The price is for the complete set: generator, control panel and steam diffuser.

(\*\*) With the use of 1/2" insulation kit

### STEAM GENERATOR DIMENSIONS

cm 52 x 26 x 27 h 1' 8 15/32" x 10 15/64" x 10 5/8" h

### CONTROL PANEL DIMENSIONS

Mounting box: cm 19 x 8 x 4,3 h 7 31/64" x 3 5/32" x 1 11/16" h  
 Control Panel: cm 18 x 6 h 7 3/32" x 2 23/64" h

\*Included 17' long wire. For additional extension check page 32

### STEAM DIFFUSER DIMENSIONS

Mounting box: cm 18 x 10 x 15,2 h 7 3/32" x 3 15/16" x 5 63/64" h  
 Diffuser: cm 18,2 x 4,5 x 12,3 h 7 11/64" x 1 49/64" x 4 27/32" h

\*Included 17' long wire. For additional extension check page 32

## Price includes

### 1. STEAM GENERATOR

- › **RWF** Regulating water flow - Can work on a wide range of water systems with different pressures
- › **SWF** Smart Water Filling - Optimised management of boiler filling
- › **SBC** Smart Boiler Cleaning - Dilution and intermediate rinsing processes not time controlled but based on real need  
Autoflush and Drip pan are included
- › **SEC** Smart Energy Control - Evenly spaced on/off periods for the heating elements
- › **ODS** Open Door Sensor - Open Door Sensor
- › **ECC - EFFE Comfort Control** - This system is incorporated into every Effe steam generator so that the turkish bath can be remotely controlled, just download the app Effe experience to your tablet or smartphone. Available on iOS and Android.



- › Diverter carrying water to the outlet

### 2. STEAM DIFFUSER

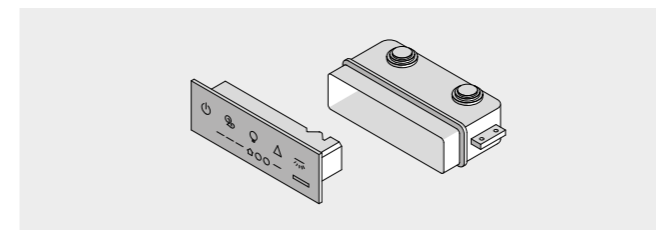
- Adjustable flaps to control the outgoing steam direction
- Cubicle air-recirculation system built into the water-resistant fan
- Essential oils container
- Steam output led light
- Additional temperature probe inside the diffuser

### 3. TOUCH-SCREEN CONTROL PANEL

- with backlit icons and temperature gauge

# Options

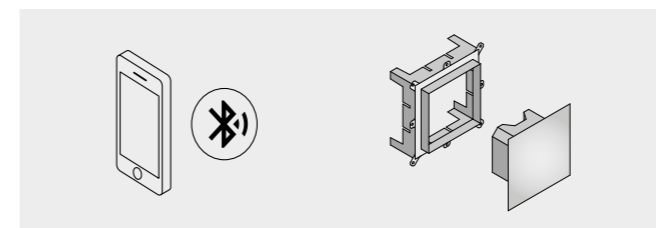
NOTE: NUVOLA SMART POWER 25 - 30 -45 CAN POWER UP TO 2 OPTIONAL CEILING LIGHT FITTINGS OF YOUR CHOICE FROM THE ESS - EFFE SOUND SYSTEM, CHROMOTHERAPY AND WHITE LIGHT.



### Remote touch-screen control panel

Control panel dimensions: cm 18 x 6  
 7 3/32" x 2 23/64"  
 Mounting box dimensions: cm 19 x 8 x 4,3 h  
 7 31/64" x 3 5/32" x 1 11/16" h  
 Bus wire (16.40' - 5mt) Included

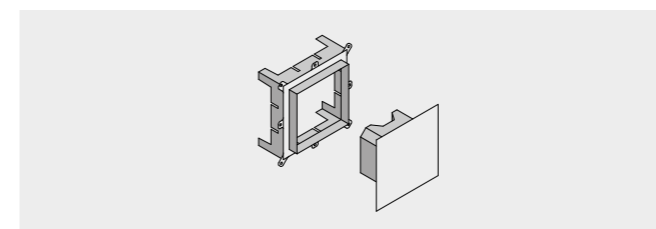
Mounting box	CH 90 00 0182	\$ 30.00
Remote touch control panel	ME 60 00 0042	\$ 720.00
<b>Total Price</b>		<b>\$ 750.00</b>



### ESS - Effe Sound System Kit with Chromotherapy, white light and Bluetooth speakers

Light fixture dimensions: 7 7/8 x 7 7/8 x 25/32"  
 Mounting box dimensions: 8 5/64 x 8 5/64 x 4 11/64" h  
 with Schlüter waterproofing mat  
 IP X5 class - Built-in loudspeakers, each 2W - 8 Ohm  
 Bus wire (16.40' - 5mt) Included  
[More information](#)

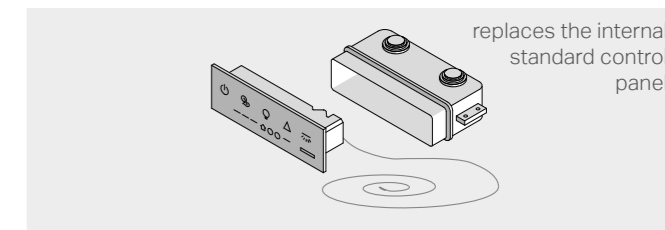
Mounting box	CH 90 00 0174	\$ 175.00
ESS kit with ceiling light fitting	HA 70 10 0008	\$ 2,360.00
<b>Total Price</b>		<b>\$ 2,535.00</b>



### White light fixture

Light fixture dimensions: cm 20 x 20 x 2  
 7 7/8" x 7 7/8" x 25/32"  
 Mounting box dimensions: cm 20,5 x 20,5 x 10,6 h  
 8 5/64" x 8 5/64" x 4 11/64" h  
 Bus wire (16.40' - 5mt) Included

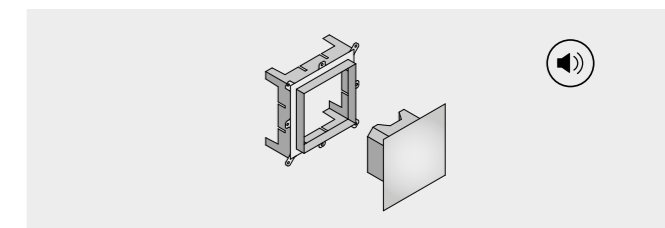
Mounting box	CH 90 00 0174	\$ 175.00
White light fixture	HA 70 00 0009	\$ 690.00
<b>Total Price</b>		<b>\$ 865.00</b>



### Remote control panel with remote temperature probe

Control panel dimensions: cm 18 x 6  
 7 3/32" x 2 23/64"  
 Mounting box dimensions: cm 19 x 8 x 4,3 h  
 7 31/64" x 3 5/32" x 1 11/16" h  
 Bus wire (16.40' - 5mt) Included

Mounting box	CH 90 00 0182	\$ 30.00
Remote touch control panel	ME 60 00 0049	\$ 720.00
<b>Total Price</b>		<b>\$ 750.00</b>



### Light fixture with Chromotherapy, white light and loudspeakers

Light fixture dimensions: 7 7/8 x 7 7/8 x 25/32"  
 Mounting box dimensions: 8 5/64 x 8 5/64 x 4 11/64" h  
 with Schlüter waterproofing mat  
 IP X5 class - Built-in loudspeakers, each 2W - 8 Ohm  
 Bus wire (16.40' - 5mt) Included  
[More information](#)

Mounting box	CH 90 00 0174	\$ 175.00
Chromotherapy and loudspeakers	HA 70 10 0005	\$ 1,750.00
<b>Total Price</b>		<b>\$ 1,925.00</b>

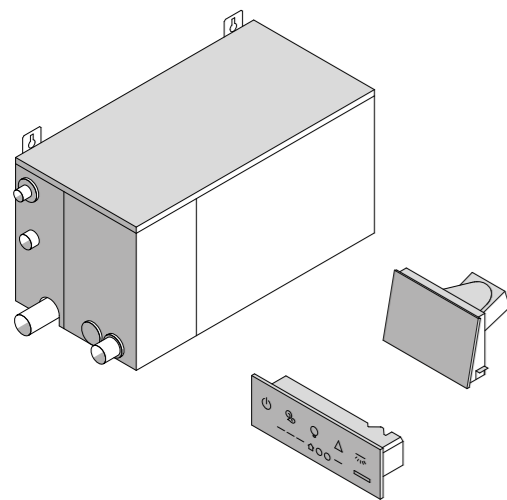


### Multifunctional Home-Automation Device.

Device for managing such additional functions as fan, extractor or essential oils pump.  
 Enables the product to be connected to and integrated with home-automation systems.

Home-Automation Device	ME 99 00 0421	\$ 1,100.00
------------------------	---------------	-------------

# NUVOLA SMART POWER 55 - 70 - 90



## STEAM GENERATOR DIMENSIONS

cm 52 x 26 x 27 h 1' 8 15/32" x 10 15/64" x 10 5/8" h

## CONTROL PANEL DIMENSIONS

Mounting box: cm 19 x 8 x 4,3 h 7 31/64" x 3 5/32" x 1 11/16" h

Control Panel: cm 18 x 6 h 7 3/32" x 2 23/64" h

\*Included 17' long wire. For additional extension check page 32

## STEAM DIFFUSER DIMENSIONS

Mounting box: cm 18 x 10 x 15,2 h 7 3/32" x 3 15/16" x 5 63/64" h

Diffuser: cm 18,2 x 4,5 x 12,3 h 7 11/64" x 1 49/64" x 4 27/32" h

\*Included 17' long wire. For additional extension check page 32

## NUVOLA SMART POWER 55

Space volume (cubic feet): 158.92 - 194.23 (\*\*)  
Power: 5,5 kW max - 208Vac 1Ph 60Hz - 240Vac 1Ph 60Hz  
Steam generation: 17.85 lb/h max

Control panel mounting box	CH 90 00 0182	\$ 30.00
Steam diffuser counterbox	CH 90 00 0194	\$ 175.00
Nuvola Smart Power 55-208Vac	HK 50 52 0004	†) \$ 6,440.00
Nuvola Smart Power 55-240Vac	HU 50 52 0004	
<b>Total Price</b>		<b>\$ 6,645.00</b>

[Technical card download](#)

## NUVOLA SMART POWER 70

Space volume (cubic feet): 194.23 - 254.26 (\*\*)  
Power: 3 kW max - 208Vac 1PH 60Hz - 240Vac 1PH 60Hz  
Steam generation: 22.48 lb/h max

Control panel mounting box	CH 90 00 0182	\$ 30.00
Steam diffuser counterbox	CH 90 00 0194	\$ 175.00
Nuvola Smart Power 70-208Vac	HK 50 52 0005	†) \$ 6,440.00
Nuvola Smart Power 70-240Vac	HU 50 52 0005	
<b>Total Price</b>		<b>\$ 6,645.00</b>

[Technical card download](#)

## NUVOLA SMART POWER 90

Space volume (cubic feet): 254.26 - 325 (\*\*)  
Power: 4,5 kW max - 208Vac 1PH 60Hz - 240Vac 1PH 60Hz  
Steam generation: 28.88 lb/h max

Control panel mounting box	CH 90 00 0182	\$ 30.00
Steam diffuser counterbox	CH 90 00 0194	\$ 175.00
Nuvola Smart Power 90-208Vac	HK 50 52 0006	†) \$ 6,440.00
Nuvola Smart Power 90-240Vac	HU 50 52 0006	
<b>Total Price</b>		<b>\$ 6,645.00</b>

[Technical card download](#)

(\*) The price is for the complete set: generator, control panel and steam diffuser.

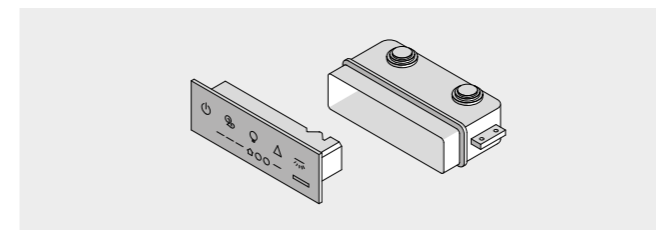
(\*\*) With the use of 1/2" insulation kit



Online Steam shower sizing

# Options

NOTE: NUVOLA SMART POWER 55 - 70 - 90 CAN POWER UP TO 2 OPTIONAL CEILING LIGHT FITTINGS OF YOUR CHOICE FROM THE ESS - EFFE SOUND SYSTEM, CHROMOTHERAPY AND WHITE LIGHT.



## Remote touch-screen control panel

Control panel dimensions: cm 18 x 6

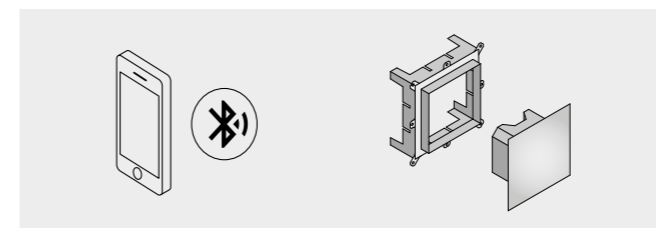
7 3/32" x 2 23/64"

Mounting box dimensions: cm 19 x 8 x 4,3 h

7 31/64" x 3 5/32" x 1 11/16" h

Bus wire (16.40' - 5mt) Included

Mounting box	CH 90 00 0182	\$ 30.00
Remote touch control panel	ME 60 00 0042	\$ 720.00
<b>Total Price</b>		<b>\$ 750.00</b>



## ESS - Effe Sound System

### Kit with Chromotherapy, white light and Bluetooth speakers

Light fixture dimensions: 7 7/8 x 7 7/8 x 25/32"

Mounting box dimensions: 8 5/64 x 8 5/64 x 4 11/64" h

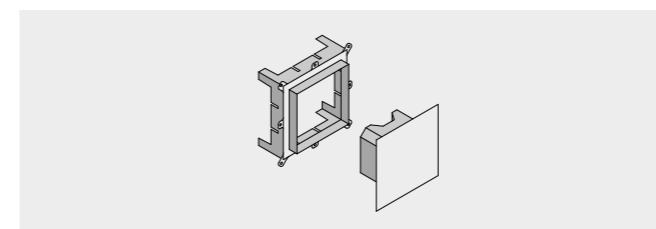
with Schlüter waterproofing mat

IP X5 class - Built-in loudspeakers, each 2W - 8 Ohm

Bus wire (16.40' - 5mt) Included

[More information](#)

Mounting box	CH 90 00 0174	\$ 175.00
ESS kit with ceiling light fitting	HA 70 10 0008	\$ 2,360.00
<b>Total Price</b>		<b>\$ 2,535.00</b>



## White light fixture

Light fixture dimensions: cm 20 x 20 x 2

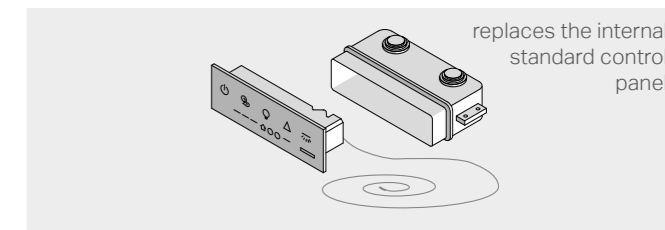
7 7/8" x 7 7/8" x 25/32"

Mounting box dimensions: cm 20,5 x 20,5 x 10,6 h

8 5/64" x 8 5/64" x 4 11/64" h

Bus wire (16.40' - 5mt) Included

Mounting box	CH 90 00 0174	\$ 175.00
White light fixture	HA 70 00 0009	\$ 690.00
<b>Total Price</b>		<b>\$ 865.00</b>



## Remote control panel with remote temperature probe

Control panel dimensions: cm 18 x 6

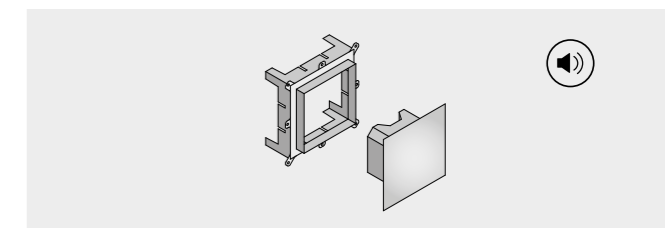
7 3/32" x 2 23/64"

Mounting box dimensions: cm 19 x 8 x 4,3 h

7 31/64" x 3 5/32" x 1 11/16" h

Bus wire (16.40' - 5mt) Included

Mounting box	CH 90 00 0182	\$ 30.00
Remote touch control panel	ME 60 00 0049	\$ 720.00
<b>Total Price</b>		<b>\$ 750.00</b>



## Light fixture with Chromotherapy, white light and loudspeakers

Light fixture dimensions: 7 7/8 x 7 7/8 x 25/32"

Mounting box dimensions: 8 5/64 x 8 5/64 x 4 11/64" h

with Schlüter waterproofing mat

IP X5 class - Built-in loudspeakers, each 2W - 8 Ohm

Bus wire (16.40' - 5mt) Included

[More information](#)

Mounting box	CH 90 00 0174	\$ 175.00
Chromotherapy and loudspeakers	HA 70 10 0005	\$ 1,750.00
<b>Total Price</b>		<b>\$ 1,925.00</b>



## Multifunctional Home-Automation Device.

Device for managing such additional functions as fan, extractor or essential oils pump.

Enables the product to be connected to and integrated with home-automation systems.

Home-Automation Device	ME 99 00 0421	\$ 1,100.00
------------------------	---------------	-------------

## Price includes

### 1. STEAM GENERATOR

- › **RWF** Regulating water flow - Can work on a wide range of water systems with different pressures
- › **SWF** Smart Water Filling - Optimised management of boiler filling
- › **SBC** Smart Boiler Cleaning - Dilution and intermediate rinsing processes not time controlled but based on real need  
Autoflush and Drip pan are included
- › **SEC** Smart Energy Control - Evenly spaced on/off periods for the heating elements
- › **ODS** Open Door Sensor - Open Door Sensor
- › **ECC - EFFE Comfort Control** - This system is incorporated into every Effe steam generator so that the turkish bath can be remotely controlled, just download the app Effe experience to your tablet or smartphone. Available on iOS and Android.



- › Diverter carrying water to the outlet

### 2. STEAM DIFFUSER

- Adjustable flaps to control the outgoing steam direction
- Cubicle air-recirculation system built into the water-resistant fan
- Essential oils container
- Steam output led light
- Additional temperature probe inside the diffuser

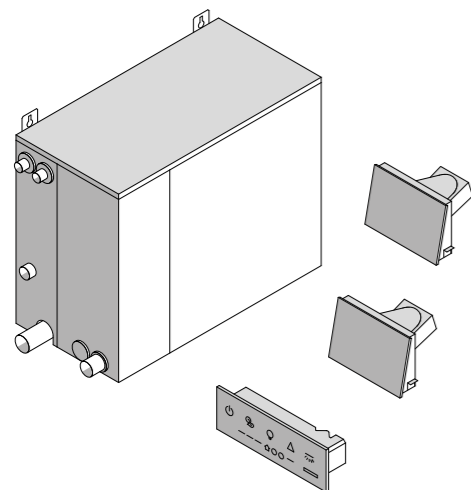
### 3. TOUCH-SCREEN CONTROL PANEL

- with backlit icons and temperature gauge

# NUVOLA SMART POWER 110 - 140 - 180



Online Steam shower sizing



## NUVOLA SMART POWER 110

Space volume (cubic feet): 324.89 - 423.77 (\*\*)  
 Power: 11,0 kW max - 208Vac 1PH 60Hz - 240Vac 1PH 60Hz  
 Steam generation: 35.71 lb/h max

Control panel mounting box	CH 90 00 0182	\$ 30.00
Steam diffuser counterbox	CH 90 00 0194 x 2	\$ 175.00 \$ 175.00
Nuvola Smart Power 110-208Vac	HK 50 52 0007	(\$ 8,995.00)
Nuvola Smart Power 110-240Vac	HU 50 52 0007	
<b>Total Price</b>		<b>\$ 9,375.00</b>

[Technical card download](#)

### STEAM GENERATOR DIMENSIONS

cm 52 x 26 x 45 h 1' 8 15/32" x 10 15/64" x 1' 5 23/32" h

### CONTROL PANEL DIMENSIONS

Mounting box: cm 19 x 8 x 4,3 h 7 31/64" x 3 5/32" x 1 11/16" h

Control Panel: cm 18 x 6 h 7 3/32" x 2 23/64" h

\*Included 17' long wire. For additional extension check page 32

### STEAM DIFFUSER DIMENSIONS

Mounting box: cm 18 x 10 x 15,2 h 7 3/32" x 3 15/16" x 5 63/64" h

Diffuser: cm 18,2 x 4,5 x 12,3 h 7 11/64" x 1 49/64" x 4 27/32" h

\*Included 17' long wire. For additional extension check page 32

## NUVOLA SMART POWER 140

Space volume (cubic feet): 423.77 - 529.72 (\*\*)  
 Power: 14,0 kW max - 208Vac 1PH 60Hz - 240Vac 1PH 60Hz  
 Steam generation: 45.63 lb/h max

Control panel mounting box	CH 90 00 0182	\$ 30.00
Steam diffuser counterbox	CH 90 00 0194 x 2	\$ 175.00 \$ 175.00
Nuvola Smart Power 140-208Vac	HK 50 52 0008	(\$ 8,995.00)
Nuvola Smart Power 140-240Vac	HU 50 52 0008	
<b>Total Price</b>		<b>\$ 9,375.00</b>

[Technical card download](#)

## NUVOLA SMART POWER 180

Space volume (cubic feet): 529.72 - 882.86 (\*\*)  
 Power: 18,0 kW max - 208Vac 1PH 60Hz - 240Vac 1PH 60Hz  
 Steam generation: 57.76 lb/h max

Control panel mounting box	CH 90 00 0182	\$ 30.00
Steam diffuser counterbox	CH 90 00 0194 x 2	\$ 175.00 \$ 175.00
Nuvola Smart Power 180-208Vac	HK 50 52 0009	(\$ 8,995.00)
Nuvola Smart Power 180-240Vac	HU 50 52 0009	
<b>Total Price</b>		<b>\$ 9,375.00</b>

[Technical card download](#)

(\*) The price is for the complete set: generator, control panel and steam diffuser.

(\*\*) With the use of 1/2" insulation kit

## Price includes

### 1. STEAM GENERATOR

- › **RWF** Regulating water flow - Can work on a wide range of water systems with different pressures
- › **SWF** Smart Water Filling - Optimised management of boiler filling
- › **SBC** Smart Boiler Cleaning - Dilution and intermediate rinsing processes not time controlled but based on real need  
Autoflush and Drip pan are included
- › **SEC** Smart Energy Control - Evenly spaced on/off periods for the heating elements
- › **ODS** Open Door Sensor - Open Door Sensor
- › **ECC - EFFE Comfort Control** - This system is incorporated into every Effe steam generator so that the turkish bath can be remotely controlled, just download the app Effe experience to your tablet or smartphone. Available on iOS and Android.



- › Diverter carrying water to the outlet

### 2. STEAM DIFFUSER

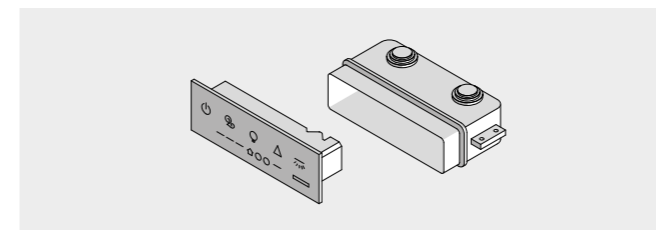
- Adjustable flaps to control the outgoing steam direction
- Cubicle air-recirculation system built into the water-resistant fan
- Essential oils container
- Steam output led light
- Additional temperature probe inside the diffuser

### 3. TOUCH-SCREEN CONTROL PANEL

- with backlit icons and temperature gauge

# Options

NOTE: NUVOLA SMART POWER 110 - 140 - 180 CAN POWER UP TO 2 OPTIONAL CEILING LIGHT FITTINGS OF YOUR CHOICE FROM THE ESS - EFFE SOUND SYSTEM, CHROMOTHERAPY AND WHITE LIGHT.



### Remote touch-screen control panel

Control panel dimensions: cm 18 x 6

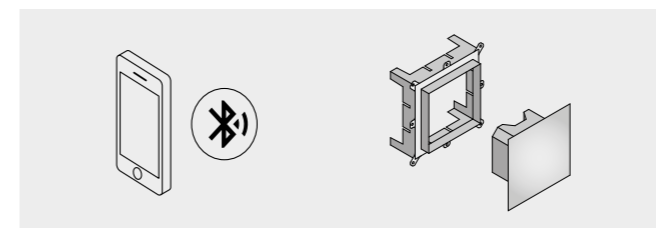
7 3/32" x 2 23/64"

Mounting box dimensions: cm 19 x 8 x 4,3 h

7 31/64" x 3 5/32" x 1 11/16" h

Bus wire (16.40' - 5mt) Included

Mounting box	CH 90 00 0182	\$ 30.00
Remote touch control panel	ME 60 00 0042	\$ 720.00
<b>Total Price</b>		<b>\$ 750.00</b>



### ESS - Effe Sound System

#### Kit with Chromotherapy, white light and Bluetooth speakers

Light fixture dimensions: 7 7/8 x 7 7/8 x 25/32"

Mounting box dimensions: 8 5/64 x 8 5/64 x 4 11/64" h

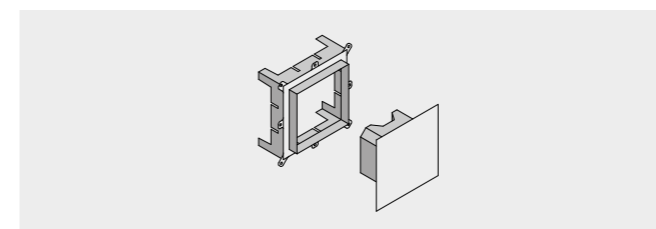
with Schlüter waterproofing mat

IP X5 class - Built-in loudspeakers, each 2W - 8 Ohm

Bus wire (16.40' - 5mt) Included

[More information](#)

Mounting box	CH 90 00 0174	\$ 175.00
ESS kit with ceiling light fitting	HA 70 10 0008	\$ 2.360.00
<b>Total Price</b>		<b>\$ 2,535.00</b>



### White light fixture

Light fixture dimensions: cm 20 x 20 x 2

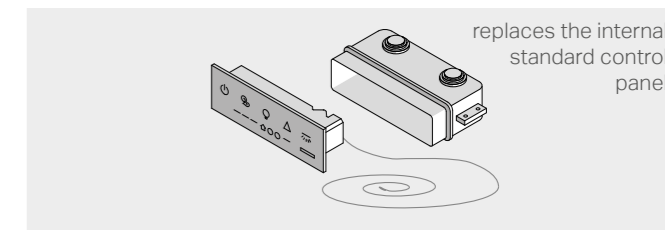
7 7/8" x 7 7/8" x 25/32"

Mounting box dimensions: cm 20,5 x 20,5 x 10,6 h

8 5/64" x 8 5/64" x 4 11/64" h

Bus wire (16.40' - 5mt) Included

Mounting box	CH 90 00 0174	\$ 175.00
White light fixture	HA 70 00 0009	\$ 690.00
<b>Total Price</b>		<b>\$ 865.00</b>



### Remote control panel with remote temperature probe

Control panel dimensions: cm 18 x 6

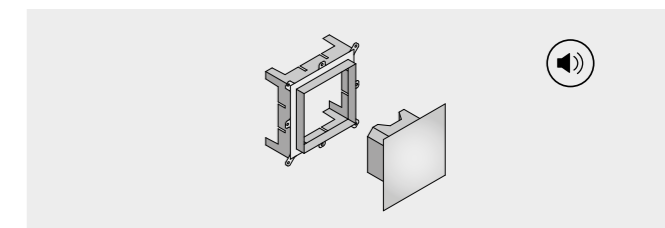
7 3/32" x 2 23/64"

Mounting box dimensions: cm 19 x 8 x 4,3 h

7 31/64" x 3 5/32" x 1 11/16" h

Bus wire (16.40' - 5mt) Included

Mounting box	CH 90 00 0182	\$ 30.00
Remote touch control panel	ME 60 00 0049	\$ 720.00
<b>Total Price</b>		<b>\$ 750.00</b>



### Light fixture with Chromotherapy, white light and loudspeakers

Light fixture dimensions: 7 7/8 x 7 7/8 x 25/32"

Mounting box dimensions: 8 5/64 x 8 5/64 x 4 11/64" h

with Schlüter waterproofing mat

IP X5 class - Built-in loudspeakers, each 2W - 8 Ohm

Bus wire (16.40' - 5mt) Included

[More information](#)

Mounting box	CH 90 00 0174	\$ 175.00
Chromotherapy and loudspeakers	HA 70 10 0005	\$ 1.750.00
<b>Total Price</b>		<b>\$ 1,925.00</b>



### Multifunctional Home-Automation Device.

Device for managing such additional functions as fan, extractor or essential oils pump.

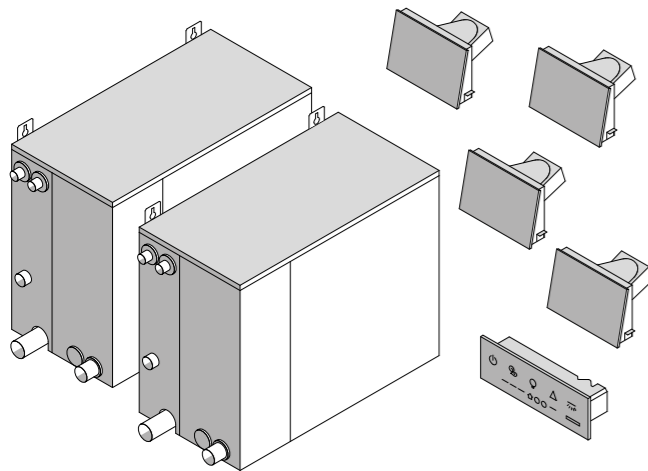
Enables the product to be connected to and integrated with home-automation systems.

Home-Automation Device	ME 99 00 0421	\$ 1,100.00
------------------------	---------------	-------------

# NUVOLA SMART POWER 250 - 360



Online Steam shower sizing



### STEAM GENERATOR DIMENSIONS

cm 52 x 26 x 45 h 1' 8 15/32" x 10 15/64" x 1' 5 23/32" h

### CONTROL PANEL DIMENSIONS

Mounting box: cm 19 x 8 x 4,3 h 7 31/64" x 3 5/32" x 1 11/16" h

Control Panel: cm 18 x 6 h 7 3/32" x 2 23/64" h

\*Included 17' long wire. For additional extension check page 36

### STEAM DIFFUSER DIMENSIONS

Mounting box: cm 18 x 10 x 15,2 h 7 3/32" x 3 15/16" x 5 63/64" h

Diffuser: cm 18,2 x 4,5 x 12,3 h 7 11/64" x 1 49/64" x 4 27/32" h

\*Included 17' long wire. For additional extension check page 36

## NUVOLA SMART POWER 250

Space volume (cubic feet): 882.86 - 1236 (\*\*)  
Power: 25,0 kW max - 208Vac 1PH 60Hz - 240Vac 1PH 60Hz  
Steam generation: 81,5 lb

Control panel mounting box	CH 90 00 0182	\$ 30.00
Steam diffuser counterbox	CH 90 00 0194 x 4	\$ 175.00 \$ 175.00 \$ 175.00 \$ 175.00
Nuvola Smart Power 250 25 kW 208Vac 1Ph	HK 50 52 0033	
Nuvola Smart Power 250 25 kW 208Vac 3Ph*	HK 50 52 0034	Ⓜ \$ 18,200.00
Nuvola Smart Power 250 25 kW 240Vac 1Ph	HU 50 52 0021	
<b>Total Price</b>		<b>Ⓜ \$ 18,930.00</b>

## NUVOLA SMART POWER 360

Space volume (cubic feet): 1236 - 1765.73 (\*\*)  
Power: 36,0 kW max - 208Vac 1PH 60Hz - 240Vac 1PH 60Hz  
Steam generation: 115,5 lb

Control panel mounting box	CH 90 00 0182	\$ 30.00
Steam diffuser counterbox	CH 90 00 0194 x 4	\$ 175.00 \$ 175.00 \$ 175.00 \$ 175.00
Nuvola Smart Power 360 36kW 208Vac 1Ph	HK 50 52 0035	
Nuvola Smart Power 360 36kW 208Vac 3Ph*	HK 50 52 0036	Ⓜ \$ 18,200.00
Nuvola Smart Power 360 36kW 240Vac 1Ph	HU 50 52 0022	
<b>Total Price</b>		<b>Ⓜ \$ 18,930.00</b>

\* Check availability with the company

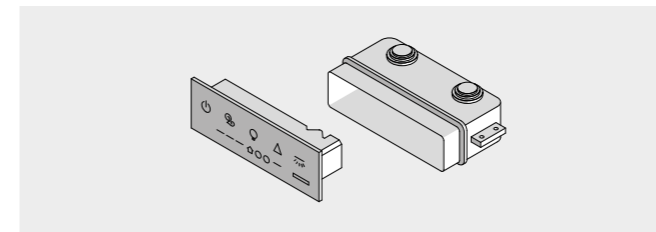
**ATTENTION:**  
On request, EFFE can support of steam generators for more than 1765 cuft volume.

(\*) The price is for the complete set: generator, control panel and steam diffuser.

(\*\*) With the use of 1/2" insulation kit

# Options

NOTE: NUVOLA SMART POWER 250 - 360 CAN POWER UP TO 2 OPTIONAL CEILING LIGHT FITTINGS OF YOUR CHOICE FROM THE ESS - EFFE SOUND SYSTEM, CHROMOTHERAPY AND WHITE LIGHT.



### Remote touch-screen control panel

Control panel dimensions: cm 18 x 6

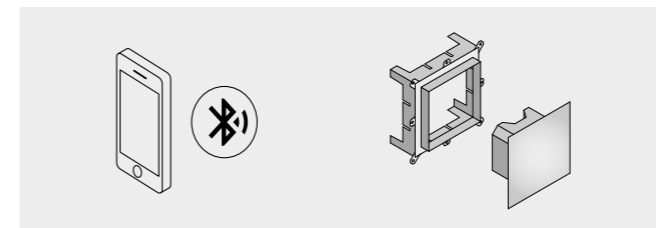
7 3/32" x 2 23/64"

Mounting box dimensions: cm 19 x 8 x 4,3 h

7 31/64" x 3 5/32" x 1 11/16" h

Bus wire (16.40' - 5mt) Included

Mounting box	CH 90 00 0182	\$ 30.00
Remote touch control panel	ME 60 00 0042	\$ 720.00
<b>Total Price</b>		<b>\$ 750.00</b>



### ESS - Effe Sound System Kit with Chromotherapy, white light and Bluetooth speakers

Light fixture dimensions: 7 7/8 x 7 7/8 x 25/32"

Mounting box dimensions: 8 5/64 x 8 5/64 x 4 11/64" h

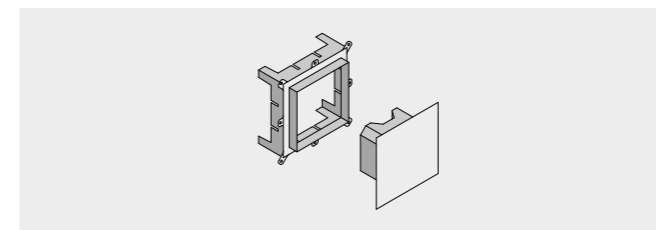
with Schlüter waterproofing mat

IP X5 class - Built-in loudspeakers, each 2W - 8 Ohm

Bus wire (16.40' - 5mt) Included

[More information](#)

Mounting box	CH 90 00 0174	\$ 175.00
ESS kit with ceiling light fitting	HA 70 10 0008	\$ 2,360.00
<b>Total Price</b>		<b>\$ 2,535.00</b>



### White light fixture

Light fixture dimensions: cm 20 x 20 x 2

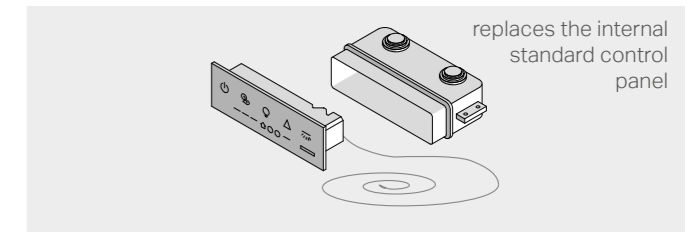
7 7/8" x 7 7/8" x 25/32"

Mounting box dimensions: cm 20,5 x 20,5 x 10,6 h

8 5/64" x 8 5/64" x 4 11/64" h

Bus wire (16.40' - 5mt) Included

Mounting box	CH 90 00 0174	\$ 175.00
White light fixture	HA 70 00 0009	\$ 690.00
<b>Total Price</b>		<b>\$ 865.00</b>



### Remote control panel with remote temperature probe

Control panel dimensions: cm 18 x 6

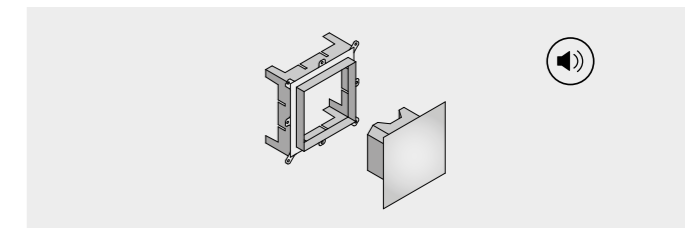
7 3/32" x 2 23/64"

Mounting box dimensions: cm 19 x 8 x 4,3 h

7 31/64" x 3 5/32" x 1 11/16" h

Bus wire (16.40' - 5mt) Included

Mounting box	CH 90 00 0182	\$ 30.00
Remote touch control panel	ME 60 00 0049	\$ 720.00
<b>Total Price</b>		<b>\$ 750.00</b>



### Light fixture with Chromotherapy, white light and loudspeakers

Light fixture dimensions: 7 7/8 x 7 7/8 x 25/32"

Mounting box dimensions: 8 5/64 x 8 5/64 x 4 11/64" h

with Schlüter waterproofing mat

IP X5 class - Built-in loudspeakers, each 2W - 8 Ohm

Bus wire (16.40' - 5mt) Included

[More information](#)

Mounting box	CH 90 00 0174	\$ 175.00
Chromotherapy and loudspeakers	HA 70 10 0005	\$ 1,750.00
<b>Total Price</b>		<b>\$ 1,925.00</b>



### Multifunctional Home-Automation Device.

Device for managing such additional functions as fan, extractor or essential oils pump.

Enables the product to be connected to and integrated with home-automation systems.

Home-Automation Device	ME 99 00 0421	\$ 1,100.00
------------------------	---------------	-------------

## Price includes

### 1. STEAM GENERATOR

- › **RWF** Regulating water flow - Can work on a wide range of water systems with different pressures
- › **SWF** Smart Water Filling - Optimised management of boiler filling
- › **SBC** Smart Boiler Cleaning - Dilution and intermediate rinsing processes not time controlled but based on real need  
Autoflush and Drip pan are included
- › **SEC** Smart Energy Control - Evenly spaced on/off periods for the heating elements
- › **ODS** Open Door Sensor - Open Door Sensor
- › **ECC - EFFE Comfort Control** - This system is incorporated into every Effe steam generator so that the turkish bath can be remotely controlled, just download the app Effe experience to your tablet or smartphone. Available on iOS and Android.



- › Diverter carrying water to the outlet

### 2. STEAM DIFFUSER

- Adjustable flaps to control the outgoing steam direction
- Cubicle air-recirculation system built into the water-resistant fan
- Essential oils container
- Steam output led light
- Additional temperature probe inside the diffuser

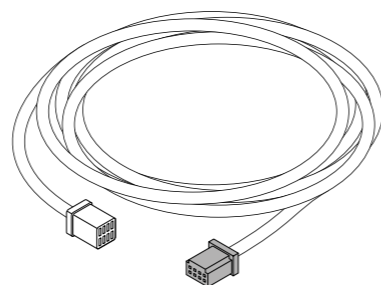
### 3. TOUCH-SCREEN CONTROL PANEL

- with backlit icons and temperature gauge

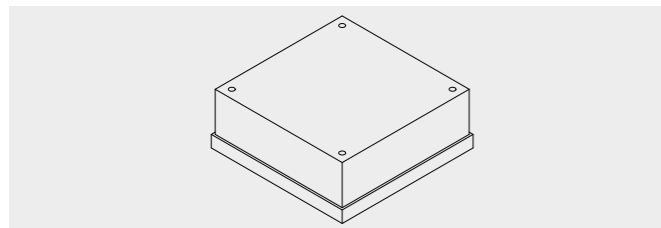
# WIRE EXTENSIONS FOR NUVOLA SMART POWER

	CODE	PRICE	COMPATIBILY	USE
<b>Extension cable for control panel 19' 8 7/32" (6 mt)</b>	Cod: ME 82 00 0126	\$ 96.00	NUVOLA SMART POWER	CONTROL PANEL
<b>Extension cable for control panel 49' 2 35/64" (15mt)</b>	Cod: ME 82 00 0132	\$ 152.00	NUVOLA SMART POWER	CONTROL PANEL
<b>Bus cable 22' 11 19/32" (7mt)</b>	Cod: ME 82 00 0053	\$ 80.00	NUVOLA SMART POWER	LIGHTS
<b>Extension bus cable 16' 4 27/32" (5mt)</b>	Cod: ME 82 00 0058	\$ 92.00	NUVOLA SMART POWER	LIGHTS/HOME AUTOMATION/MOOD LIGHT
<b>Longer extension bus cable for steam diffuser connection 19' 8 7/32" (6 mt)</b>	Cod: ME 82 00 0115	\$ 100.00	NUVOLA SMART POWER	STEAM HEAD/DIFFUSER
<b>Longer extension bus cable for steam diffuser connection 26' 2 61/64" (8mt)*</b>	Cod: ME 82 00 0121	\$ 128.00	NUVOLA SMART POWER	STEAM HEAD / DIFFUSER
<b>Longer extension bus cable for steam diffuser connection 32' 9 45/64" (10mt)*</b>	Cod: ME 82 00 0124	\$ 152.00	NUVOLA SMART POWER	STEAM HEAD / DIFFUSER

(\*) It replaces the original standard wire supplied with the unit.



## COMPATIBLE OPTIONS FOR ALL NUVOLA SMART POWER MODELS



### Controller for AROMA/VENTILATION/INTAKE AIR DUMPERS

This interface allows the user to have Nuvola Smart Power controlling up to 3 devices: Aroma Pump / Ventilation Dumper / Intake Air Dumper. Dupers and aroma pump not included.

ME 99 00 0431 \$ 1,450.00

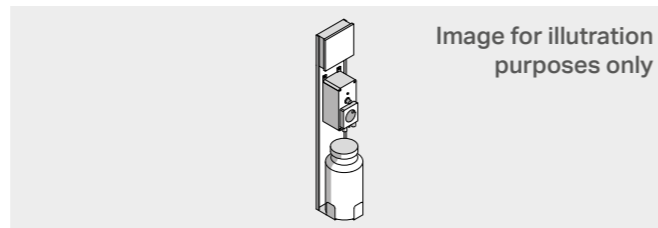


Image for illustration purposes only

### FRAGRANCE METERING PUMP

The Fragrance metering pump creates the perfect steam aroma therapy experience, especially in commercial installation. We recommend to buy the pump in combination with item code CH15000034.

PWAROMA \$ 1,450.00

# NUVOLA SMART POWER

Quote request form hamam with Nuvola Smart Power for turkish bath with space volume from 0 to 1.765 cubic feet

ATTENTION: On request, Effe can support of steam generators for more than 1.765 cu. ft volumes.

<b>Customer</b>	<b>Showroom Sales Assistant</b>
<b>Date</b>	<b>Contact</b>
<b>Town</b>	<b>Local Agency</b>
<b>Thelophone</b>	<b>Steam bath dimensions - cm</b> SPECIFY THE SIDE THE DOOR IS LOCATED ON
<b>E-mail</b>	<b>Electrical power available - kW</b>
<b>Fax</b>	<b>Possibility to increase power</b> <input type="checkbox"/> YES <input type="checkbox"/> NO
<b>DOORS AND GLASS PANELS</b> <input type="checkbox"/> Fit <input type="checkbox"/> Tuttovetro Inside <input type="checkbox"/> Tuttovetro Contour	<b>FITTINGS</b> Indicate the series (Mini, Linea ALU, Topkapi, Logica, bench ready for the covering) the finishing and the colour.  <b>OPTIONS</b> <input type="checkbox"/> Remote control panel <input type="checkbox"/> Remote control panel with remote temperature probe <input type="checkbox"/> ESS - Effe Sound System <input type="checkbox"/> Light fixture with colour therapy and loudspeakers <input type="checkbox"/> White light fixture <input type="checkbox"/> Home-Automation Device

PLAN

# Easystem



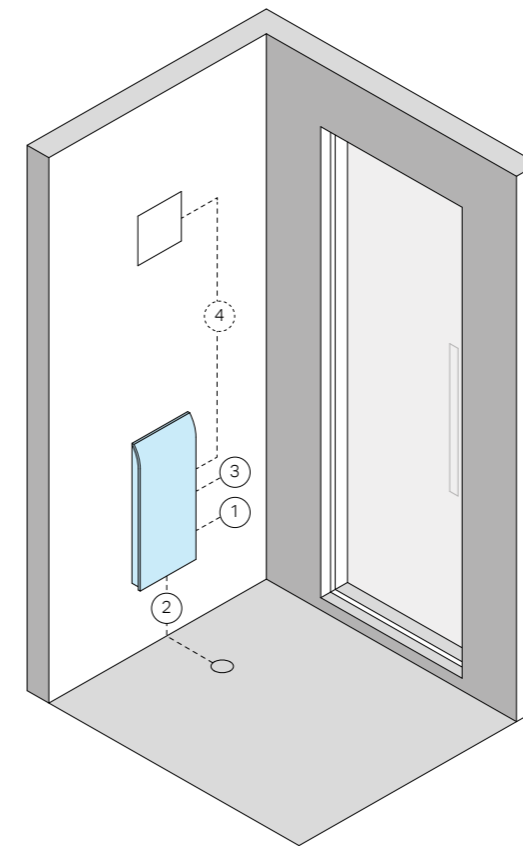
## Easystem

Insulation Kit is recommended but not mandatory

with the use of 1/2" thick insulation kit	space volume (cubic feet)	power (kW)	without the use of 1/2" thick insulation kit	space volume (cubic feet)	power (kW)
30	0 - 123.60	3	30	-	-
45	123.60 - 158.92	4.5	45	72 - 115	4.5

# Technical information

More information: [www.effe.it](http://www.effe.it)



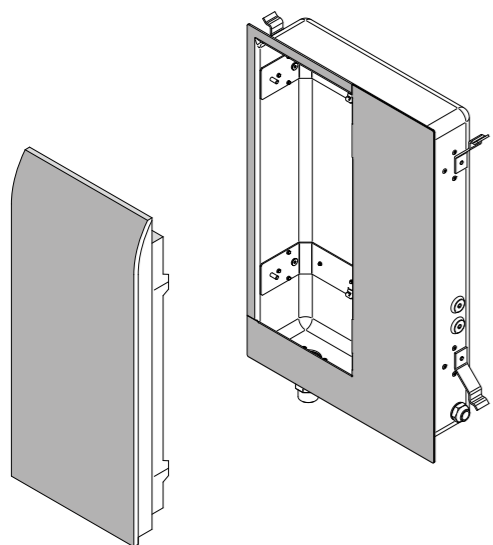
- ① Water inlet
- ② Drain
- ③ Electric power supply
- ④ Options connection

All work must be carried out by qualified personnel or by one of our Service Centres, based on local and international standards – CEI 64.8 (IEC 364 – 1). Make sure that the electric and plumbing connections for the steam generator have been correctly set up (water line with closing gate valve, outlet siphon, power line with suitable magnetothermal residual current device, etc.) according to the related technical specifications. Connect all piping in such a way that it may be disconnected (in the event of removal of the generator for maintenance). Use brass or copper piping only. Do not use galvanised or black PVC piping.  
A space of 1' 2 61/64" X 1' 9 29/64" and at least 3 5/64" deep must be available to house the Easystem device.

- ① Water inlet: set up the piping mounted flush with the casing with a 1/2" female thread. Hook up only cold water (max 77 °F). Inlet water pressure must not exceed 8 bar (8 bar/116 PSI). For best operation, water pressure should be max. 1.5 ÷ 2 bar (21.5 ÷ 29 PSI). CAUTION: if the water is medium hard or hard, it is recommended to install a softener upstream of the generator. Otherwise, the generator boiler may be subject to significant wear and tear.
- ② Water outlet: set up 1/2" female, heat resistant (up to 212 °F) siphoned piping mounted flush with the casing. The outlet pipe must ensure correct water outflow, therefore, a downward slope of at least 41° is recommended.
- ③ Sheath Ø 1" for the electric power supply: set up a power cable of suitable cross-section.
- ④ Sheath Ø 1" for connecting the options.



# EASYSTEAM



## DIMENSIONS

cm 25 x 3,7 x 57 h

9 27/32" X 1 29/64" X 1' 10 7/16" h

## COUNTERBOX DIMENSIONS

cm 37 x 10 x 54 h

1' 2 9/16" X 3 15/16" X 1' 9 17/64" h

## MATERIALS

Curved silk-screen printed glass panel  
Painted aluminium RAL 9003

## Price includes

### 1. BUILT IN STEAM GENERATOR

- › automatic boiler cleaning system
- › water flow rate control system
- › automatic water drainage system
- › Automatic energy-saving function
- › **ECC - EFFE Comfort Control** - This system is incorporated into every EFFE steam generator so that the turkish bath can be remotely controlled, just download the app EFFE experience to your tablet or smartphone. Available on iOS and Android.
- › **ODS** Open Door Sensor - Open Door Sensor



### 2. TOUCH-SCREEN CONTROL PANEL INTEGRATED ON THE UNIT

with backlit icons and temperature gauge

### 3. CONTAINERS FOR ESSENTIAL OILS

[More information](#)



Online Steam shower sizing

## EASYSTEAM 30

Space volume (cubic feet): 0 - 123.60 (\*\*)  
Power: 3,0 kW max - 208Vac 1PH 60Hz - 240Vac 1PH 60Hz  
Steam generation: 9.7 lb/h max

Counterbox	CH 90 00 0177	\$ 600.00
Easystem 30 - 208Vac	HA CM ES 0005	\$ 6,815.00
Easystem 30 - 240Vac	HA CM ES 0003	
<b>Total Price</b>		<b>\$ 7,415.00</b>

[Technical card download](#)

## EASYSTEAM 45

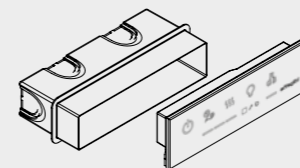
Space volume (cubic feet): 123.60 - 158.92 (\*\*)  
Power: 4,5 kW max - 208Vac 1PH 60Hz - 240Vac 1PH 60Hz  
Steam generation: 14.55 lb/h max

Counterbox	CH 90 00 0177	\$ 600.00
Easystem 45 - 208Vac	HA CM ES 0006	\$ 6,815.00
Easystem 45 - 240Vac	HA CM ES 0004	
<b>Total Price</b>		<b>\$ 7,415.00</b>

[Technical card download](#)

# Options

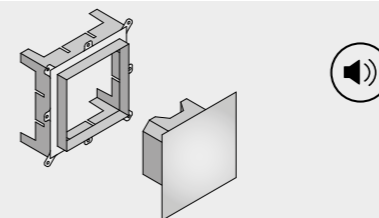
NOTE: EASYSTEAM CAN POWER ONLY 1 OPTIONAL CEILING LIGHT FITTING OF YOUR CHOICE FROM THE ESS - EFFE SOUND SYSTEM, CHROMOTHERAPY AND WHITE LIGHT OPTIONS



## Remote touch-screen control panel

Control panel dimensions: cm 16,5 x 5  
6 1/2" x 1 31/32"  
Mounting box dimensions: cm 16 x 7 x 4,5 h  
6 19/64" x 2 3/4" x 1 49/64" h  
Bus wire ( 16.40' - 5mt) Included

Mounting box	CH 90 00 0172	\$ 30.00
Remote touch control panel	ME 60 00 0033	\$ 800.00
<b>Total Price</b>		<b>\$ 830.00</b>



## Light fixture with Chromotherapy, white light and loudspeakers

Light fixture dimensions: cm 20 x 20 x 2  
7 7/8" x 7 7/8" x 25/32"  
Mounting box dimensions: cm 20,5 x 20,5 x 10,6 h  
8 5/64" x 8 5/64" x 4 11/64" h  
Bus wire ( 16.40' - 5mt) Included

[More information](#)

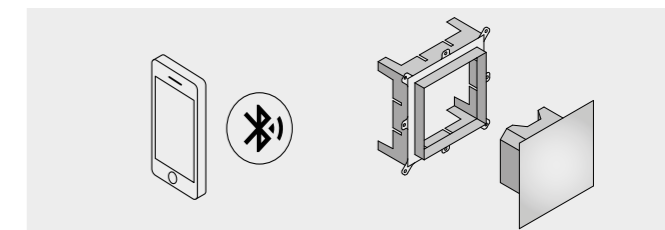
Mounting box	CH 90 00 0174	\$ 175.00
Chromotherapy and loudspeakers	HA 70 10 0005	\$ 1750.00
<b>Total Price</b>		<b>\$ 1,925.00</b>



## Multifunctional Home-Automation Device.

Device for managing such additional functions as fan, extractor or essential oils pump.  
Enables the product to be connected to and integrated with home-automation systems.

Multifunctional Home-Automation	ME 99 00 0421	\$ 1,100.00
---------------------------------	---------------	-------------

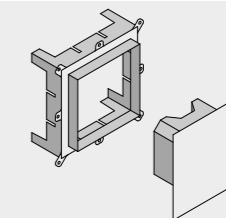


## ESS - EFFE Sound System Kit with Chromotherapy, white light and Bluetooth speakers.

Light fixture dimensions: cm 20 x 20 x 2 - 7 7/8" x 7 7/8" x 25/32"  
Mounting box dimensions: cm 20,5 x 20,5 x 10,6 h  
8 5/64" x 8 5/64" x 4 11/64" h  
Bus wire ( 16.40' - 5mt) Included

[More information](#)

Mounting box	CH 90 00 0174	\$ 175.00
ESS light fixture kit	HA 70 10 0008	\$ 2,360.00
<b>Total Price</b>		<b>\$ 2,535.00</b>



## White light fixture

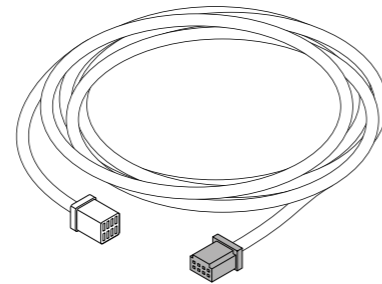
Light fixture dimensions: cm 20 x 20 x 2  
7 7/8" x 7 7/8" x 25/32"  
Mounting box dimensions: cm 20,5 x 20,5 x 10,6 h  
8 5/64" x 8 5/64" x 4 11/64" h  
Bus wire ( 16.40' - 5mt) Included

Mounting box	CH 90 00 0174	\$ 175.00
White light fixture	HA 70 00 0009	\$ 690.00
<b>Total Price</b>		<b>\$ 865.00</b>

(\*\*) With the use of 1/2" insulation kit

# WIRE EXTENSIONS FOR EASYSTEAM

	CODE	PRICE	COMPATIBILY	USE
<b>Bus cable 22' 11" 19/37 (7mt)</b>	Cod: ME 82 00 0053	\$ 80.00	EASYSTEAM	LIGHTS / CONTROL PANEL
<b>Extension bus cable 26' 2" 61/64 (8mt)</b>	Cod: ME 82 00 0058	\$ 92.00	EASYSTEAM	LIGHTS / CONTROL PANEL
<b>Bus splitter cable (female thread-male thread-female thread)</b>	Cod: ME 82 00 0113	\$ 24.00	EASYSTEAM	LIGHTS / CONTROL PANEL - NB: REQUIRED WHEN BOTH ARE ORDERED



# EASYSTEAM

Quote request form hammam  
with Easystem for Turkish baths  
with a volume from 0 to 158.91 cubic feet

<b>Customer</b>	<b>Showroom Sales Assistant</b>	
<b>Date</b>	<b>Contact</b>	
<b>Town</b>	<b>Local Agency</b>	
<b>Thelophone</b>	<b>Steam bath dimensions - cm</b> SPECIFY THE SIDE THE DOOR IS LOCATED ON	
<b>E-mail</b>	<b>Electrical power available - kW</b>	
<b>Fax</b>	<b>Possibility to increase power</b> <input type="checkbox"/> YES <input type="checkbox"/> NO	
<b>DOORS AND GLASS PANELS</b>	<b>FITTINGS</b> Indicate the series (Mini, Linea ALU, Topkapi, Logica, bench ready for the covering) the finishing and the colour.	<b>OPTIONS</b>
<input type="checkbox"/> Fit <input type="checkbox"/> Tuttovetro Inside <input type="checkbox"/> Tuttovetro Contour		<input type="checkbox"/> Remote control panel <input type="checkbox"/> ESS - Effe Sound System <input type="checkbox"/> Light fixture with colour therapy and loudspeakers <input type="checkbox"/> White light fixture
<b>PLAN</b>		

# Aquasteam



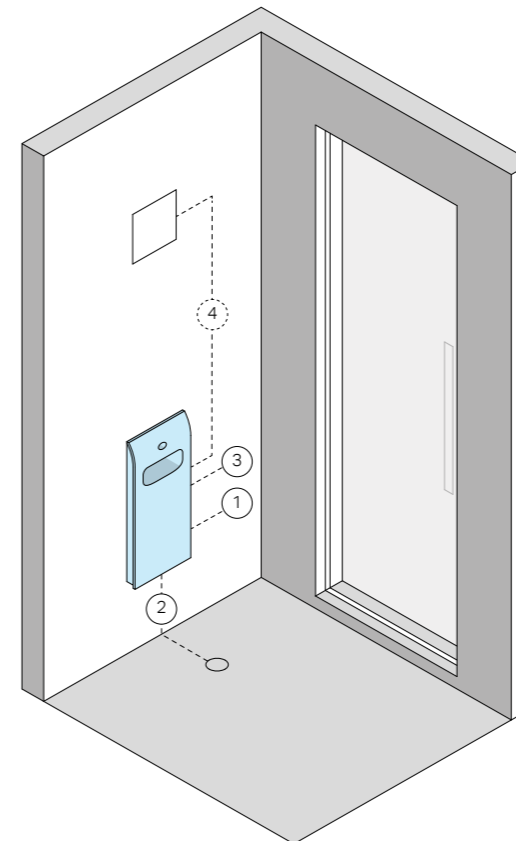
## Aquasteam

Insulation Kit is recommended but not mandatory

with the use of 1/2" thick insulation kit	space volume (cubic feet)	power (kW)	without the use of 1/2" thick insulation kit	space volume (cubic feet)	power (kW)
30	0 - 123.60	3	30	-	-
45	123.60 - 158.92	4.5	45	72 - 115	4.5

# Technical information

More information: [www.effe.it](http://www.effe.it)



- ① Water inlet
- ② Drain
- ③ Electric power supply
- ④ Options connection

All work must be carried out by qualified personnel or by one of our Service Centres, based on local and international standards – CEI 64.8 (IEC 364 – 1). Make sure that the electric and plumbing connections for the steam generator have been correctly set up (water line with closing gate valve, outlet siphon, power line with suitable magnetothermal residual current device, etc.) according to the related technical specifications. Connect all piping in such a way that it may be disconnected (in the event of removal of the generator for maintenance). Use brass or copper piping only. Do not use galvanised or black PVC piping.  
A space of 1' 2 61/64" X 1' 9 29/64" and at least 3 5/64" deep must be available to house the Aquasteam device;

① Water inlet: set up the piping mounted flush with the casing with a 1/2" female thread. Hook up only cold water (max 77 °F). Inlet water pressure must not exceed 8 bar (8 bar/116 PSI). For best operation, water pressure should be max. 1.5 ÷ 2 bar (21.5 ÷ 29 PSI).

CAUTION: if the water is medium hard or hard, it is recommended to install a softener upstream of the generator. Otherwise, the generator boiler may be subject to significant wear and tear.

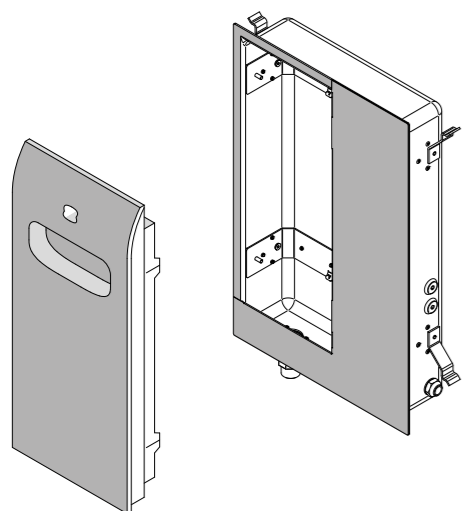
② Water outlet: set up 1/2" female, heat resistant (up to 212 °F) siphoned piping mounted flush with the casing. The outlet pipe must ensure correct water outflow, therefore, a downward slope of at least 41° is recommended.

③ Sheath Ø 1" for the electric power supply: set up a power cable of suitable cross-section.

④ Sheath Ø 1" for connecting the options.



# AQUASTEAM



Online Steam shower sizing

## AQUASTEAM 30

Space volume (cubic feet): 0 - 123.60 (\*\*)  
Power: 3,0 kW max - 208Vac 1PH 60Hz - 240Vac 1PH 60Hz  
Steam generation: 9.7 lb/h max

Counterbox	CH 90 00 0177	\$ 600.00
Aquasteam 30 - 208Vac	HA CM AS 0005	\$ 7,755.00
Aquasteam 30 - 240Vac	HA CM AS 0003	
<b>Total Price</b>		<b>\$ 8,355.00</b>

[Technical card download](#)

## AQUASTEAM 45

Space volume (cubic feet): 123.60 - 158.92 (\*\*)  
Power: 4,5 kW max - 208Vac 1PH 60Hz - 240Vac 1PH 60Hz  
Steam generation: 14.55 lb/h max

Counterbox	CH 90 00 0177	\$ 600.00
Aquasteam 45 - 208Vac	HA CM AS 0006	\$ 7,755.00
Aquasteam 45 - 240Vac	HA CM AS 0004	
<b>Total Price</b>		<b>\$ 8,355.00</b>

[Technical card download](#)

### DIMENSIONS

cm 25 x 3,7 x 57 h 9 27/32" x 1 29/64" x 1' 10 7/16" h

### COUNTERBOX DIMENSIONS

cm 37 x 10 x 54 h 1' 2 9/16" x 3 15/16" x 1' 9 17/64" h

### MATERIALS

Curved silk-screen printed glass panel  
Painted aluminium RAL 9003

## Price includes

### 1. BUILT IN STEAM GENERATOR

- › automatic boiler cleaning system
- › water flow rate control system
- › automatic water drainage system
- › Automatic energy-saving function
- › **ECC - EFFE Comfort Control** - This system is incorporated into every EFFE steam generator so that the turkish bath can be remotely controlled, just download the app EFFE experience to your tablet or smartphone. Available on iOS and Android.
- › **ODS** Open Door Sensor - Open Door Sensor



### 2. TOUCH-SCREEN CONTROL PANEL INTEGRATED ON THE UNIT

with backlit icons and temperature gauge

### 3. WATERFALL SPRING

with controlled backlit water flow  
Bowl in white resin

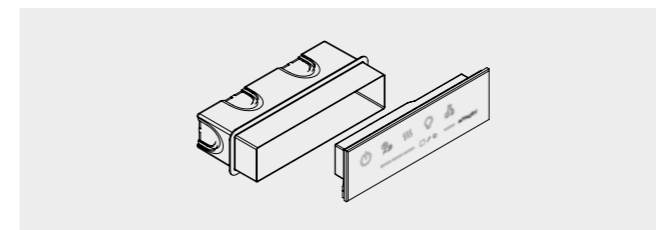
### 4. CONTAINERS FOR ESSENTIAL OILS

[More information](#)

(\*\*) With the use of 1/2" insulation kit

# Options

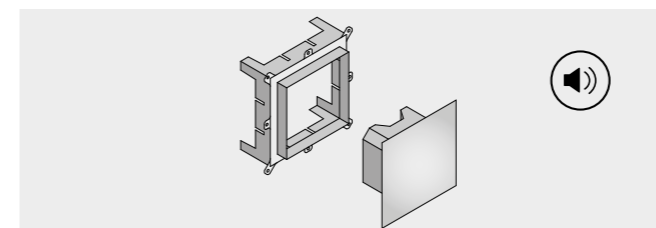
NOTE: EASYSTEAM CAN POWER ONLY 1 OPTIONAL CEILING LIGHT FITTING OF YOUR CHOICE FROM THE ESS - EFFE SOUND SYSTEM, CHROMOTHERAPY AND WHITE LIGHT OPTIONS



### Remote touch-screen control panel

Control panel dimensions: cm 16,5 x 5  
6 1/2" x 1 31/32"  
Mounting box dimensions: cm 16 x 7 x 4,5 h  
6 19/64" x 2 3/4" x 1 49/64"  
Bus wire ( 16.40' - 5mt) Included

Mounting box	CH 90 00 0172	\$ 30.00
Remote touch control panel	ME 60 00 0033	\$ 800.00
<b>Total Price</b>		<b>\$ 830.00</b>



### Light fixture with Chromotherapy, white light and loudspeakers

Light fixture dimensions: cm 20 x 20 x 2  
7 7/8" x 7 7/8" x 25/32"  
Mounting box dimensions: cm 20,5 x 20,5 x 10,6 h  
8 5/64" x 8 5/64" x 4 11/64" h  
Bus wire ( 16.40' - 5mt) Included

[More information](#)

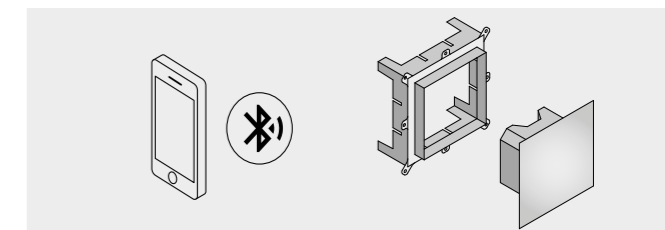
Mounting box	CH 90 00 0174	\$ 175.00
Chromotherapy and loudspeakers	HA 70 10 0005	\$ 1,750.00
<b>Total Price</b>		<b>\$ 1,925.00</b>



### Multifunctional Home-Automation Device.

Device for managing such additional functions as fan, extractor or essential oils pump.  
Enables the product to be connected to and integrated with home-automation systems.

Multifunctional Home-Automation	ME 99 00 0421	\$ 1,100.00
---------------------------------	---------------	-------------

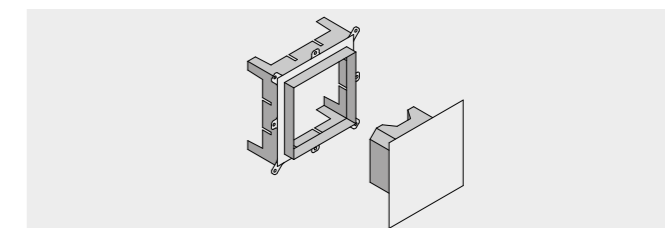


### ESS - EFFE Sound System Kit with Chromotherapy, white light and Bluetooth speakers.

Light fixture dimensions: cm 20 x 20 x 2 - 7 7/8" x 7 7/8" x 25/32"  
Mounting box dimensions: cm 20,5 x 20,5 x 10,6 h  
8 5/64" x 8 5/64" x 4 11/64" h  
Bus wire ( 16.40' - 5mt) Included

[More information](#)

Mounting box	CH 90 00 0174	\$ 175.00
ESS light fixture kit	HA 70 10 0008	\$ 2,360.00
<b>Total Price</b>		<b>\$ 2,535.00</b>



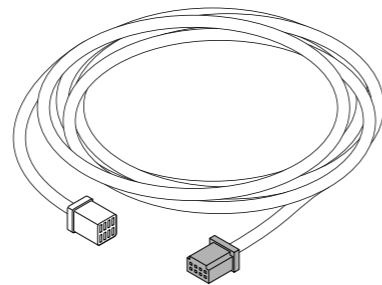
### White light fixture

Light fixture dimensions: cm 20 x 20 x 2  
7 7/8" x 7 7/8" x 25/32"  
Mounting box dimensions: cm 20,5 x 20,5 x 10,6 h  
8 5/64" x 8 5/64" x 4 11/64" h  
Bus wire ( 16.40' - 5mt) Included

Mounting box	CH 90 00 0174	\$ 175.00
White light fixture	HA 70 00 0009	\$ 690.00
<b>Total Price</b>		<b>\$ 865.00</b>

# WIRE EXTENSIONS FOR AQUASTEAM

	CODE	PRICE	COMPATIBILY	USE
<b>Bus cable 22' 11" 19/37 (7mt)</b>	Cod: ME 82 00 0053	\$ 80.00	AQUASTEAM	LIGHTS / CONTROL PANEL
<b>Extension bus cable 26' 2" 61/64 (8mt)</b>	Cod: ME 82 00 0058	\$ 92.00	AQUASTEAM	LIGHTS / CONTROL PANEL
<b>Bus splitter cable (female thread-male thread-female thread)</b>	Cod: ME 82 00 0113	\$ 24.00	AQUASTEAM	LIGHTS / CONTROL PANEL - NB: REQUIRED WHEN BOTH ARE ORDERED



# AQUASTEAM

Quote request form hammam with Aquasteam for Turkish baths with a volume from 0 to 158.91 cubic feet

<b>Customer</b>	<b>Showroom Sales Assistant</b>	
<b>Date</b>	<b>Contact</b>	
<b>Town</b>	<b>Local Agency</b>	
<b>Thelophone</b>	<b>Steam bath dimensions - cm</b> <small>SPECIFY THE SIDE THE DOOR IS LOCATED ON</small>	
<b>E-mail</b>	<b>Electrical power available - kW</b>	
<b>Fax</b>	<b>Possibility to increase power</b> <input type="checkbox"/> YES <input type="checkbox"/> NO	
<b>DOORS AND GLASS PANELS</b>	<b>FITTINGS</b> <small>Indicate the series (Mini, Linea ALU, Topkapi, Logica, bench ready for the covering) the finishing and the colour.</small>	<b>OPTIONS</b>
<input type="checkbox"/> <b>Fit</b> <input type="checkbox"/> <b>Tuttovetro Inside</b> <input type="checkbox"/> <b>Tuttovetro Contour</b>		<input type="checkbox"/> Remote control panel <input type="checkbox"/> ESS - Effe Sound System <input type="checkbox"/> Light fixture with colour therapy and loudspeakers <input type="checkbox"/> White light fixture
<b>PLAN</b>		

# Touch&Steam



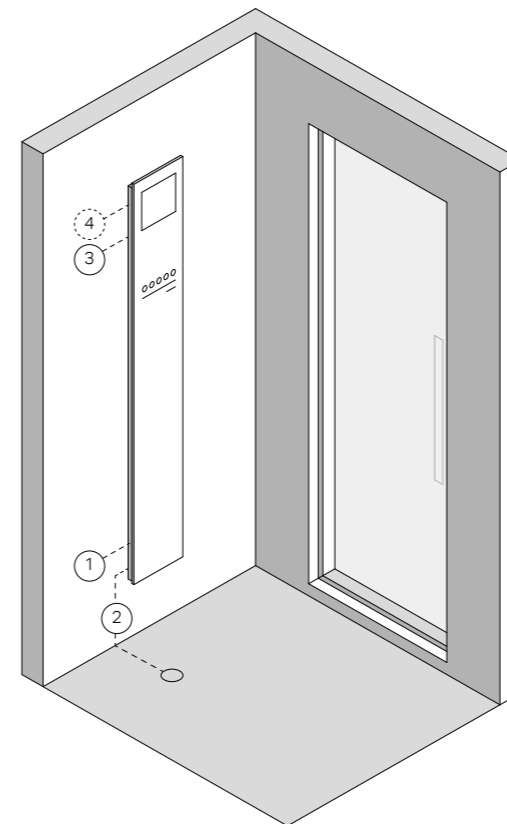
## Touch&Steam

Insulation Kit is recommended but not mandatory

with the use of 1/2" thick insulation kit*	space volume (cubic feet)	power (kW)	without the use of 1/2" thick insulation kit	space volume (cubic feet)	power (kW)
30	0 - 123.60	3	30	-	3
45	123.60 - 158.92	4.5	45	72 - 115	4.5
60	158.92 - 218.95	6	60	115 - 160	6
90	218.95 - 325.00	9	90	160 - 220	9

# Technical information

More information: [www.effe.it](http://www.effe.it)



- ① Water inlet
- ② Drain
- ③ Electric power supply
- ④ Options connection

All work must be carried out by qualified personnel or by one of our Service Centres, based on local and international standards – CEI 64.8 (IEC 364 – 1). Make sure that the electric and plumbing connections for the steam generator have been correctly set up (water line with closing gate valve, outlet siphon, power line with suitable magnetothermal residual current device, etc.) according to the related technical specifications. Connect all piping in such a way that it may be disconnected (in the event of removal of the generator for maintenance). Use brass or copper piping only. Do not use galvanised or black PVC piping.

Create a space of 1' 3 3/4" x 5' 8 1/2", for installation of the Touch&Steam device.

① Water inlet: set up the piping mounted flush with the casing with a 1/2" female thread. Hook up only cold water (max 77 °F). Inlet water pressure must not exceed 8 bar (8 bar/116 PSI). For best operation, water pressure should be max. 1.5 ÷ 2 bar (21.5 ÷ 29 PSI).

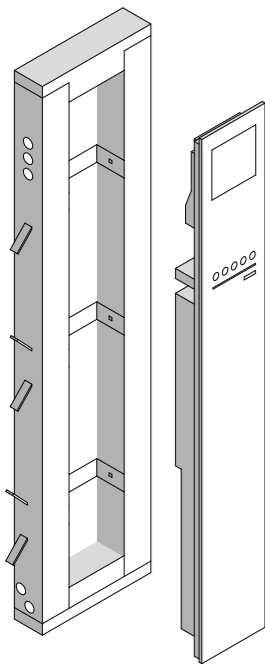
CAUTION: if the water is medium hard or hard, it is recommended to install a softener upstream of the generator. Otherwise, the generator boiler may be subject to significant wear and tear.

② Water outlet: set up 1/2" female, heat resistant (up to 212°F) siphoned piping mounted flush with the casing. The outlet pipe must ensure correct water outflow, therefore, a downward slope of at least 41° is recommended.

③ Sheath Ø 1" for the electric power supply: set up a power cable of suitable cross-section.

④ Sheath Ø 1" for connecting the options.

# TOUCH&STEAM



Online Steam shower sizing

## DIMENSIONS

cm 23 x 3,7 x 165 h  
9 1/16" x 1 1/2" x 5' 5" h

## COUNTERBOX DIMENSIONS

cm 40 x 10 x 173 h  
1' 3 3/4" x 3 15/16" x 5' 8 7/64" h

## MATERIALS

Screen-printed tempered glass panel  
Painted aluminium RAL 9003

## TOUCH&STEAM 30

Space volume (cubic feet): 0 - 123.60 (\*\*)  
Power: 3,0 kW max - 208Vac 1PH 60Hz - 240Vac 1PH 60Hz  
Steam generation: 9.7 lb/h max

Counterbox	CH 90 00 0176	\$ 750.00
Touch&Steam 30 - 208Vac	HA CM TS 0012	\$ 15,890.00
Touch&Steam 30 - 240Vac	HA CM TS 0009	
<b>Total Price</b>		<b>\$ 16,640.00</b>

[Technical card download](#)

## TOUCH&STEAM 45

Space volume (cubic feet): 123.60 - 158.92 (\*\*)  
Power: 4,5 kW max - 208Vac 1PH 60Hz - 240Vac 1PH 60Hz  
Steam generation: 14.55 lb/h max

Counterbox	CH 90 00 0176	\$ 750.00
Touch&Steam 45 - 208Vac	HA CM TS 0013	\$ 16,095.00
Touch&Steam 45 - 240Vac	HA CM TS 0010	
<b>Total Price</b>		<b>\$ 16,845.00</b>

[Technical card download](#)

## TOUCH&STEAM 60

Space volume (cubic feet): 158.92 - 218.95 (\*\*)  
Power: 6,0 kW max - 208Vac 1PH 60Hz - 240Vac 1PH 60Hz  
Steam generation: 19.62 lb/h max

Counterbox	CH 90 00 0176	\$ 750.00
Touch&Steam 60 - 208Vac	HA CM TS 0014	\$ 16,300.00
Touch&Steam 60 - 240Vac	HA CM TS 0011	
<b>Total Price</b>		<b>\$ 17,050.00</b>

[Technical card download](#)

## TOUCH&STEAM 90

Space volume (cubic feet): 218.95 - 325 (\*\*)  
Power: 9,0 kW max - 208Vac 1PH 60Hz - 240Vac 1PH 60Hz  
Steam generation: 28.88 lb/h max

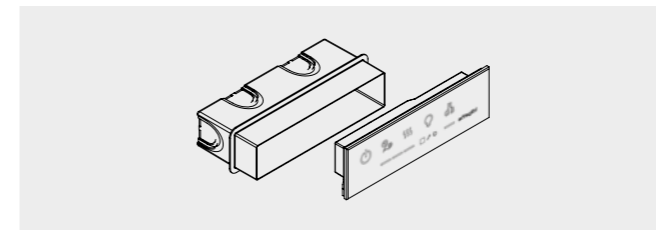
Counterbox	CH 90 00 0176	\$ 750.00
Touch&Steam 90 - 208Vac	HA CM TS 0024	\$ 16,710.00
Touch&Steam 90 - 240Vac	HA CM TS 0025	
<b>Total Price</b>		<b>\$ 17,460.00</b>

[Technical card download](#)

(\*\*) With the use of 1/2" insulation kit

# Options

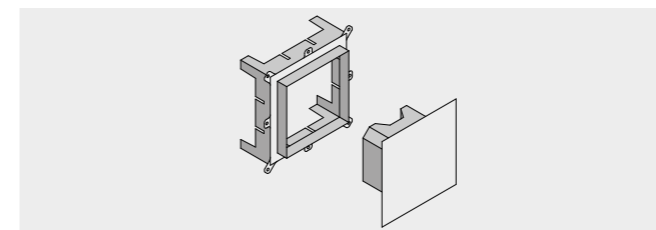
NOTE: EASYSTEAM CAN POWER ONLY 1 OPTIONAL CEILING LIGHT FITTING OF YOUR CHOICE FROM THE ESS - EFFE SOUND SYSTEM, CHROMOTHERAPY AND WHITE LIGHT OPTIONS



## Remote touch-screen control panel

Control panel dimensions: cm 16,5 x 5  
6 1/2" x 1 31/32"  
Mounting box dimensions: cm 16 x 7 x 4,5 h  
6 19/64" x 2 3/4" x 1 49/64"  
Bus wire ( 16.40' - 5mt) Included

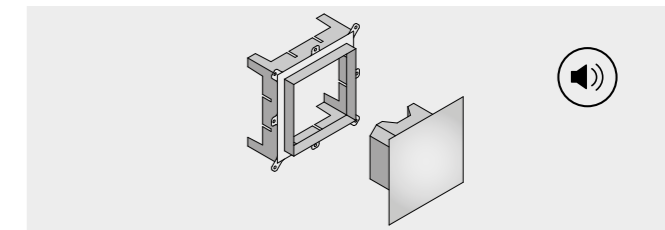
Mounting box	CH 90 00 0172	\$ 30.00
Remote touch control panel	ME 60 00 0033	\$ 800.00
<b>Total Price</b>		<b>\$ 830.00</b>



## White light fixture

Light fixture dimensions: cm 20 x 20 x 2  
7 7/8" x 7 7/8" x 25/32"  
Mounting box dimensions: cm 20,5 x 20,5 x 10,6 h  
8 5/64" x 8 5/64" x 4 11/64" h  
Bus wire ( 16.40' - 5mt) Included

Mounting box	CH 90 00 0174	\$ 175.00
White light fixture	HA 70 00 0009	\$ 690.00
<b>Total Price</b>		<b>\$ 865.00</b>



## Light fixture with Chromotherapy, white light and loudspeakers

Light fixture dimensions: cm 20 x 20 x 2  
7 7/8" x 7 7/8" x 25/32"  
Mounting box dimensions: cm 20,5 x 20,5 x 10,6 h  
8 5/64" x 8 5/64" x 4 11/64" h  
Bus wire ( 16.40' - 5mt) Included

[More information](#)

Mounting box	CH 90 00 0174	\$ 175.00
Chromotherapy and loudspeakers	HA 70 10 0005	\$ 1,750.00
<b>Total Price</b>		<b>\$ 1,925.00</b>

## Price includes

### 1. BUILT IN STEAM GENERATOR

- › automatic boiler cleaning system
- › water flow rate control system
- › automatic water drainage system
- › Automatic energy-saving function
- › **ECC - EFFE Comfort Control** - This system is incorporated into every EFFE steam generator so that the turkish bath can be remotely controlled, just download the app EFFE experience to your tablet or smartphone. Available on iOS and Android
- › **ODS** Open Door Sensor - Open Door Sensor



### 2. TOUCH-SCREEN CONTROL PANEL INTEGRATED ON THE UNIT

with backlit icons and temperature gauge

### 3. POWER STEAM FUNCTION

Steam diffusion and forced ventilation heating system

### 4. WARM AIR FUNCTION

Unit pre-heating function with forced ventilation heating system

### 5. CONTAINERS FOR ESSENTIAL OILS

### 6. LIGHTING SYSTEM WITH LED RGB CHROMOTHERAPY

5 fixed colours, 4 dynamic cycles and white light

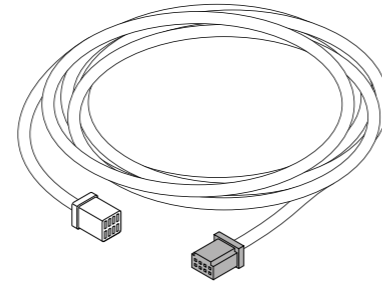
### 7. ESS - EFFE SOUND SYSTEM

The Touch&Steam can be connected to any tablet or smartphone via bluetooth so you can listen to your favourite music inside the Hammam. The sound inside the Hammam is transmitted by a loudspeaker placed inside the Touch&Steam unit.

[More information](#)

# WIRE EXTENSIONS FOR TOUCH&STEAM

	CODE	PRICE	COMPATIBILI	USE
<b>Bus cable 22' 11" 19/37 (7mt)</b>	Cod: ME 82 00 0053	\$ 80.00	TOUCH&STEAM	LIGHTS / CONTROL PANEL
<b>Extension bus cable 26' 2" 61/64 (8mt)</b>	Cod: ME 82 00 0058	\$ 92.00	TOUCH&STEAM	LIGHTS / CONTROL PANEL
<b>Bus splitter cable (female thread-male thread-female thread)</b>	Cod: ME 82 00 0113	\$ 24.00	TOUCH&STEAM	LIGHTS / CONTROL PANEL - NB: REQUIRED WHEN BOTH ARE ORDERED



# TOUCH&STEAM

Quote request form hammam  
with Touch&steam for Turkish baths  
with a volume from 0 to 325 cubic feet

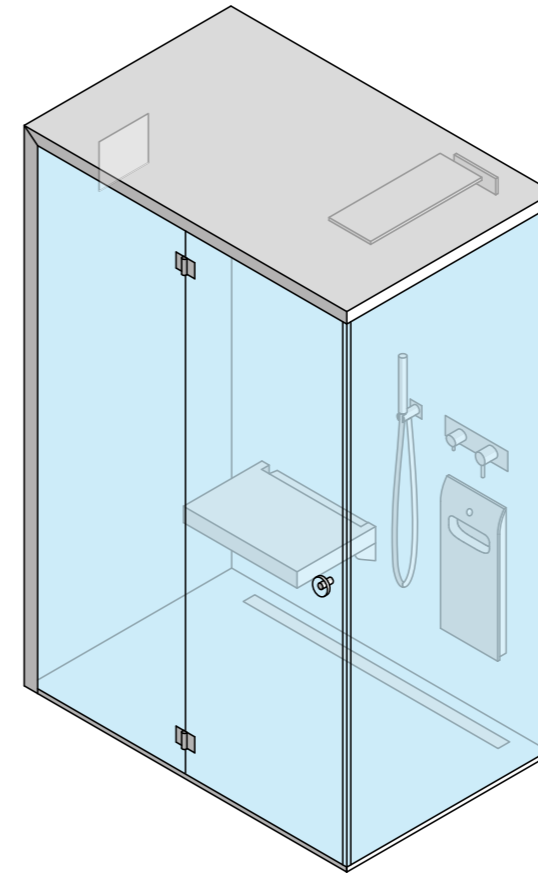
<b>Customer</b>	<b>Showroom Sales Assistant</b>	
<b>Date</b>	<b>Contact</b>	
<b>Town</b>	<b>Local Agency</b>	
<b>Thelophone</b>	<b>Steam bath dimensions - cm</b> SPECIFY THE SIDE THE DOOR IS LOCATED ON	
<b>E-mail</b>	<b>Electrical power available - kW</b>	
<b>Fax</b>	<b>Possibility to increase power</b> <input type="checkbox"/> YES <input type="checkbox"/> NO	
<b>DOORS AND GLASS PANELS</b>	<b>FITTINGS</b> Indicate the series (Mini, Linea ALU, Topkapi, Logica, bench ready for the covering) the finishing and the colour.	<b>OPTIONS</b>
<input type="checkbox"/> <b>Fit</b> <input type="checkbox"/> <b>Tuttovetro Inside</b> <input type="checkbox"/> <b>Tuttovetro Contour</b>		<input type="checkbox"/> Remote control panel <input type="checkbox"/> Light fixture with colour therapy and loudspeakers <input type="checkbox"/> White light fixture
<b>PLAN</b>		

# FitBox



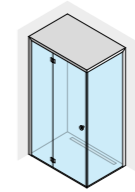
## Information

More information: [www.effe.it](http://www.effe.it)

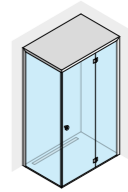


Steam generator, taps, drain and furnishings are not included in the price.

FitBox 120x80

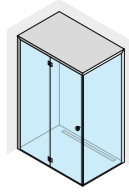


(RIGHT-HAND CORNER)

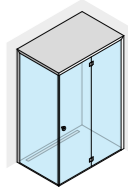


(LEFT-HAND CORNER)

FitBox 140x90



(RIGHT-HAND CORNER)



(LEFT-HAND CORNER)



**ALUMINIUM**  
edges in brushed-finish aluminium



**BLACK**  
edges in aluminium with a brushed black anodised finish

# FITBOX 120X80

Door hinges on glass

70,6  
ft<sup>3</sup>

**MEASUREMENTS**

cm 119 x 79 x 220 h  
3'10 7/8" x 2'-7 1/8" x 7'2 5/8" h

**MATERIALS**

Aluminium frame  
Transparent 3/8 tempered glass  
Ceiling in satin-finish 3/8" layered glass

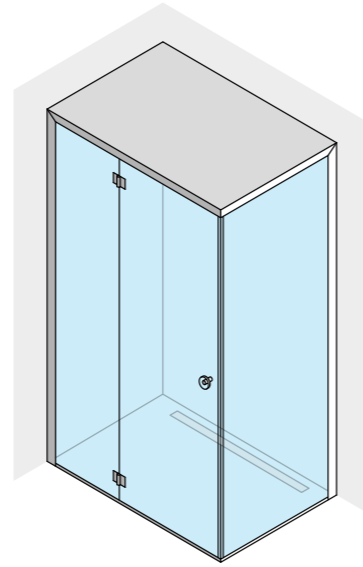
**FINISH**

Brushed aluminium finish edges

**FEATURES**

Width and depth adjustment ± 13/64"  
Glass door with hinges on the upright  
Right or left-opening options  
Door-opening radius 2' - 3" 11/64"  
Lower ventilation

Steam generator, taps, drain and furnishings are not included in the price.



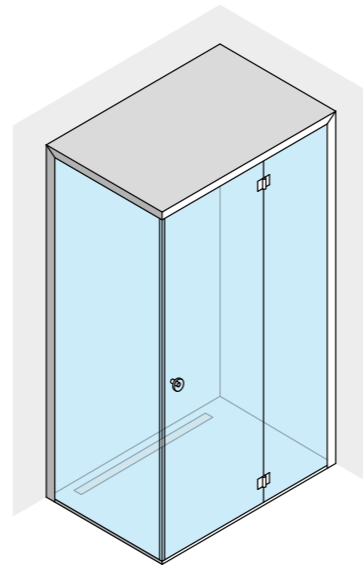
Fitbox 120x80 Right-hand corner

**FITBOX 120x80 BRUSHED ALUMINIUM**

Right-hand corner	Cod: FB 10 01 0004	\$ 10,610.00
Left-hand corner	Cod: FB 10 01 0003	\$ 10,610.00

**FITBOX 120x80 ANODISED BLACK**

Right-hand corner	Cod: FB 10 02 0004	\$ 13,015.00
Left-hand corner	Cod: FB 10 02 0003	\$ 13,015.00



FitBox 120x80 Left-hand corner

# FITBOX 140X90

Door hinges on glass

95,35  
ft<sup>3</sup>

**MEASUREMENTS**

cm 139 x 89 x 220 h  
4'-6 6/8" x 2'-11" x 7'-2 5/8" h

**MATERIALS**

Aluminium frame  
Transparent 3/8" tempered glass  
Ceiling in satin-finish 1/8" + 1/8" layered glass

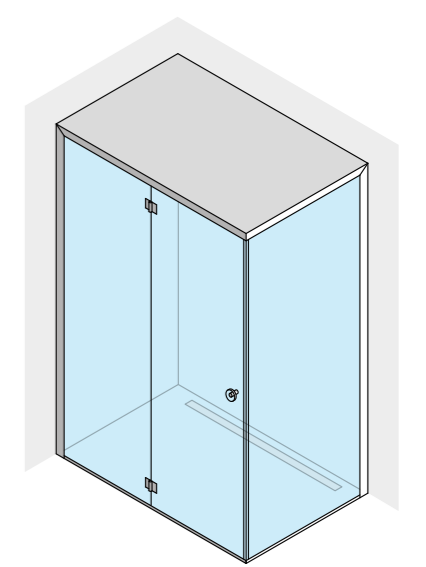
**FINISH**

Brushed aluminium finish edges

**FEATURES**

Width and depth adjustment ± 13/64"  
Glass door with hinges on the upright  
Right or left-opening options  
Door-opening radius 2'-3 11/64"  
Lower ventilation

Steam generators, taps, drain and furnishings are not included in the price.



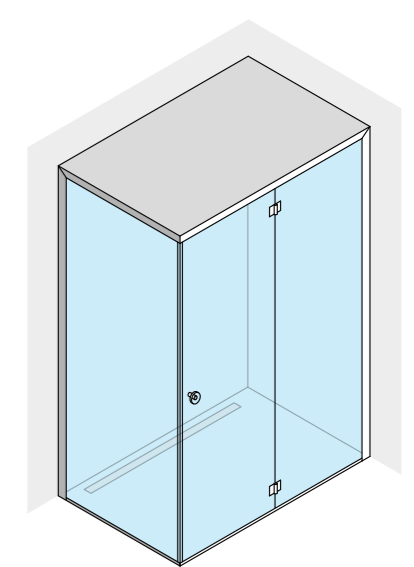
Fitbox 140x90 Right-hand corner

**FITBOX 140x90 BRUSHED ALUMINIUM**

Right-hand corner	Cod: FB 10 01 0008	\$ 11,265.00
Left-hand corner	Cod: FB 10 01 0007	\$ 11,265.00

**FITBOX 140x90 ANODISED BLACK**

Right-hand corner	Cod: FB 10 02 0008	\$ 13,670.00
Left-hand corner	Cod: FB 10 02 0007	\$ 13,670.00



FitBox 140x90 Left-hand corner

# Doors and glass panels



Fit door



Tuttovetro Contour door

- 58 **Fit**  
Aluminium  
door can be made to measure
- 64 **Tuttovetro Inside**  
Aluminium  
door can be made to measure
- 66 **Tuttovetro Contour**  
Aluminium  
door can be made to measure

# FIT65

## MEASUREMENTS

cm 65 x 190 h  
 2' 1 5/8" x 6' 2 6/8"  
 Width 2' 1 5/8" ± 3/8"  
 Height 6' 2 6/8" ± 2/8"

## MATERIALS

Aluminium frame  
 Transparent 3/8" tempered glass

## FINISH

Brushed aluminium finish edges

## FEATURES

Width ± 3/8" and height ± 3/8" + 3/8" adjustment  
 Glass door with hinges on the upright, handle included  
 Right or left-opening options  
 Lower ventilation

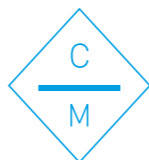
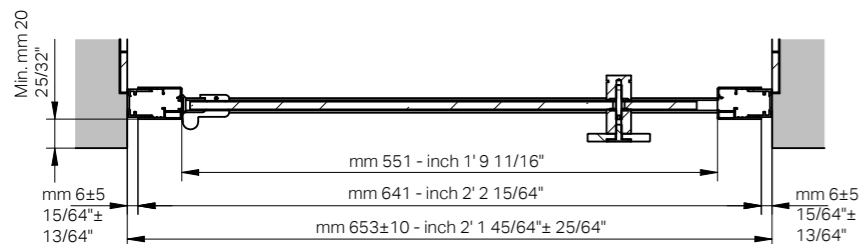
### FIT65 RIGHT-HAND

Brushed alluminium	Cod: HP 10 01 0008	\$ 3,295.00
Anodised black	Cod: HP 10 02 0008	\$ 5,695.00

### FIT65 LEFT-HAND

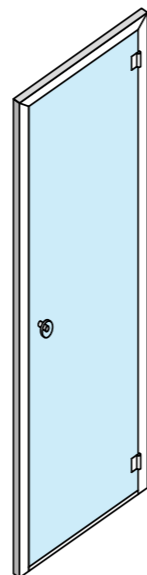
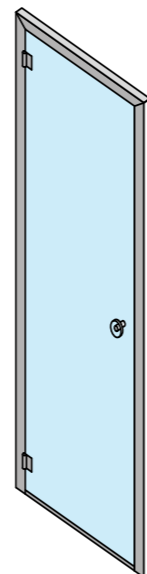
Brushed alluminium	Cod: HP 10 01 0007	\$ 3,295.00
Anodised black	Cod: HP 10 02 0007	\$ 5,695.00

[Technical card download](#)



Fit 65 door can be customized to the centimetre/inch.

30% INCREASE ON LIST PRICE



# FIT 80

## MEASUREMENTS

cm 80 x 210 h  
 2' 7 4/8" x 6' 10 5/8"  
 Width 2' 7 5/8" ± 3/8"  
 Height 6' 10 7/8" ± 2/8"

## MATERIALS

Aluminium frame  
 Transparent 3/8" tempered glass

## FINISH

Brushed aluminium finish edges

## FEATURES

Width ± 3/8" and height ± 2/8" adjustment  
 Flush with the flooring  
 Glass door with hinges on the upright, handle included  
 Right or left-opening options  
 Lower ventilation.

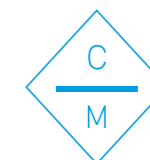
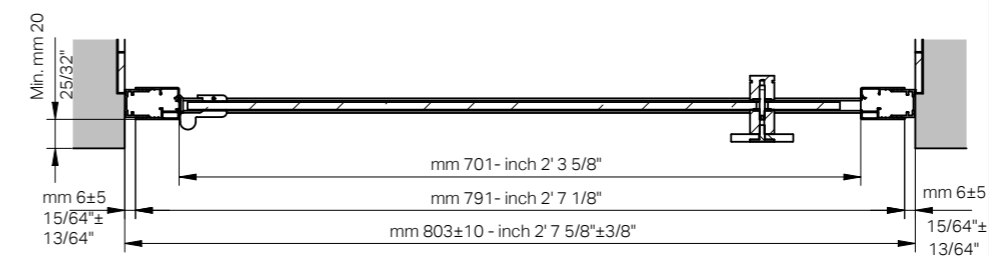
### FIT 80 RIGHT-HAND

Brushed alluminium	Cod: HP 10 01 0001	\$ 4,475.00
Anodised black	Cod: HP 10 02 0001	\$ 6,275.00

### FIT 80 LEFT-HAND

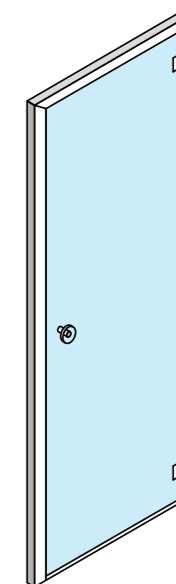
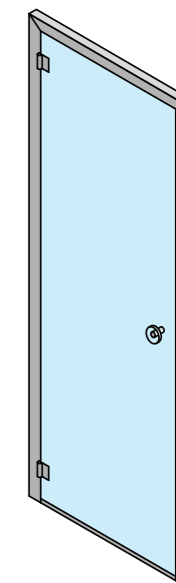
Brushed alluminium	Cod: HP 10 01 0002	\$ 4,475.00
Anodised black	Cod: HP 10 02 0002	\$ 6,275.00

[Technical card download](#)



Fit 80 door can be customized to the centimetre/inch.

30% INCREASE ON LIST PRICE



# FIT 120

## MEASUREMENTS

cm 120 x 210 h  
 3' 11 2/8" x 6' 10 5/8"  
 Width 3' 11 3/8" ± 3/8"  
 Height 6' 10 7/8" ± 2/8"

## MATERIALS

Aluminium frame  
 Transparent 3/8" tempered glass

## FINISH

Brushed aluminium finish edges

## FEATURES

Width ± 3/8" and height ± 2/8" adjustment  
 Flush with the flooring  
 Glass door with hinges on the glass, handle included  
 Right or left-opening options  
 Lower ventilation

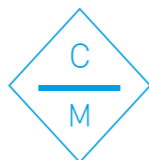
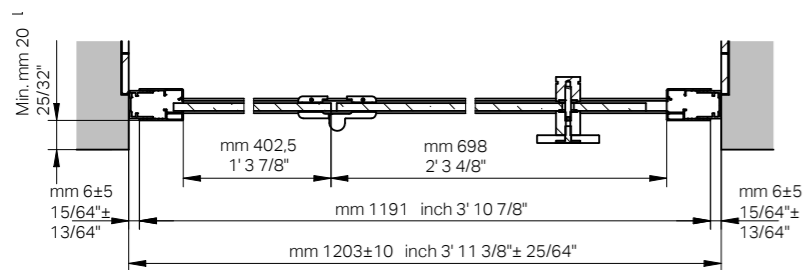
### FIT 120 RIGHT-HAND

Brushed alluminium	Cod: HP 10 01 0006	\$ 5,480.00
Anodised black	Cod: HP 10 02 0006	\$ 7,115.00

### FIT 120 LEFT-HAND

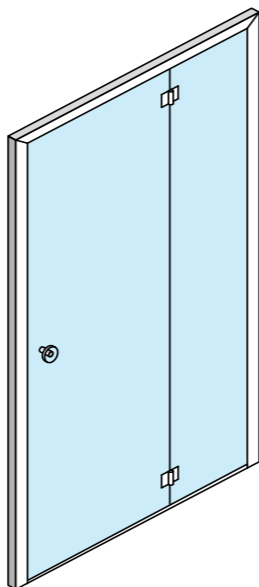
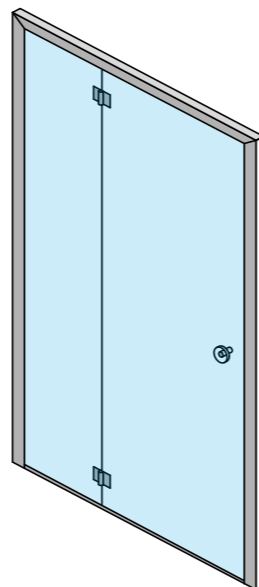
Brushed alluminium	Cod: HP 10 01 0005	\$ 5,480.00
Anodised black	Cod: HP 10 02 0005	\$ 7,115.00

[Technical card download](#)



Fit/B 120 door can be customized to the centimetre/inch.

30% INCREASE ON LIST PRICE



# FIT 50 GLASS PANEL

## MEASUREMENTS

cm 50 x 210 h  
 1' 7 5/8" x 6' 10 5/8"  
 Width 1' 7 6/8" ± 3/8"  
 Height 6' 10 7/8" ± 2/8"

## MATERIALS

Aluminium frame  
 Transparent 3/8" tempered glass

## FINISH

Brushed aluminium finish edges

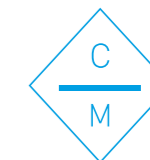
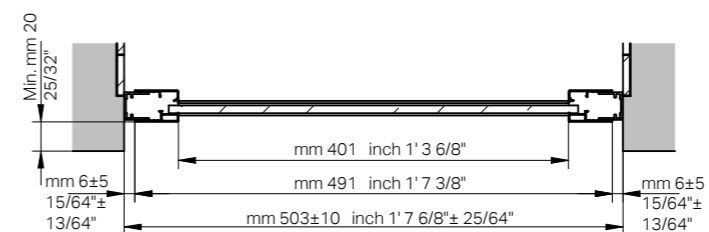
## FEATURES

Width ± 3/8" and height ± 2/8" adjustment  
 Flush with the flooring

### FIT 50 GLASS PANEL

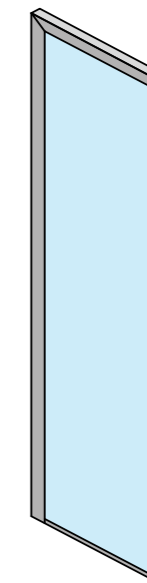
Brushed alluminium	Cod: HF 10 01 0001	\$ 3,275.00
Anodised black	Cod: HF 10 02 0001	\$ 4,600.00

[Technical card download](#)




Fit glass panel can be customized to the centimetre/inch.

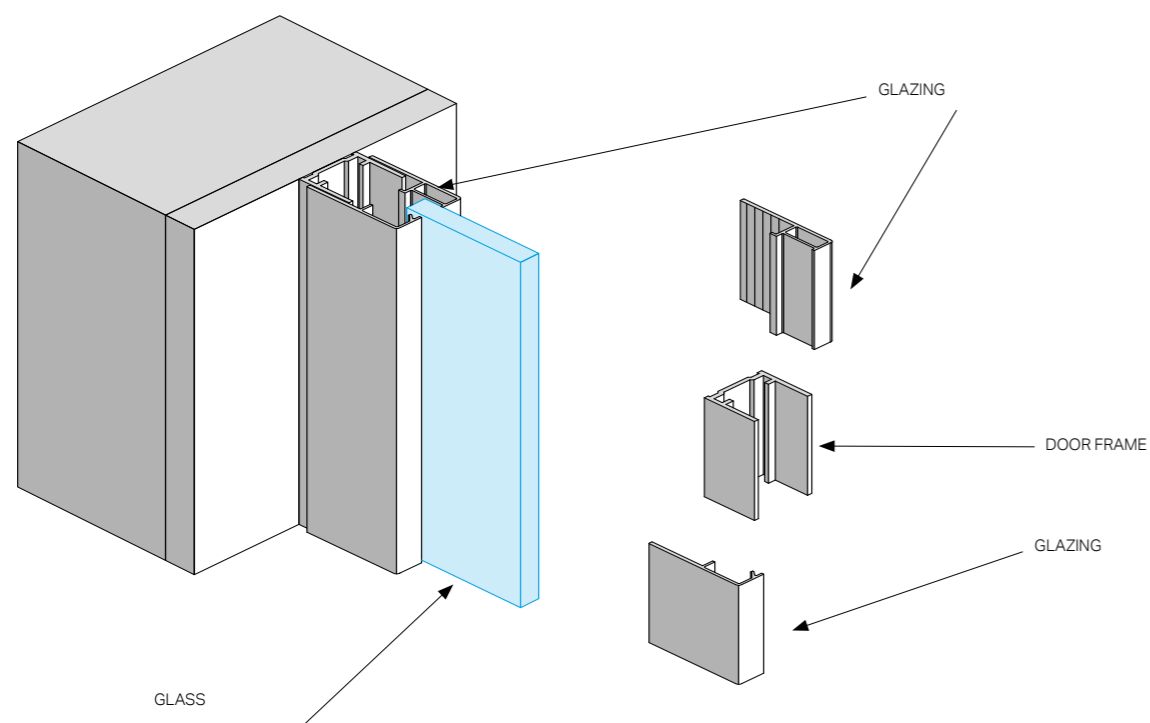
30% INCREASE ON LIST PRICE



# DOORS AND GLASS PANELS FIT

## Technical information

[Technical card download](#) 



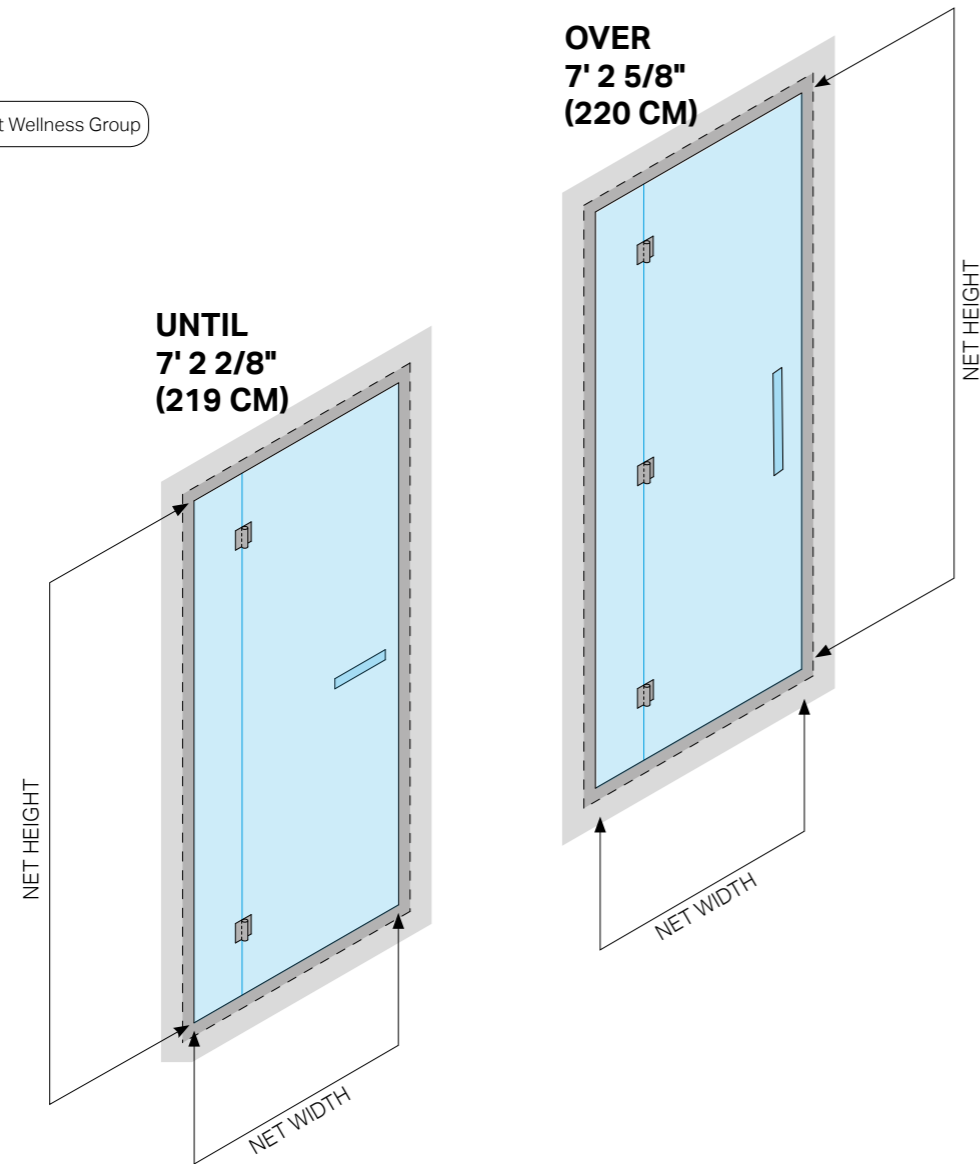
# TUTTOVETRO INSIDE

## MATERIALS / FEATURES

5/16" (8 mm) clear tempered glass;  
 heights above 7'-2 5/8" (220 cm) - glass thickness 25/64"  
 (10 mm)  
 aluminium frame  
 polished aluminium glass-stop edge  
 shiny chrome locking hinge, glass-on-glass type at 180°

Maximum height :  
 until 7'-2 2/8" (219 cm) with 2 hinges  
 over 7'-2 5/8" (220 cm) until 8'-2 3/8" with 3 hinges

\* For larger sizes contact Perfect Wellness Group



Net width / Net height =  
 size of the finished and tiled wall

PRICE ON REQUEST

## AVAILABLE FORMATS

- A**  
Door

---

- B**  
Glass panel - door

---

- C**  
Glass panel - door - glass panel

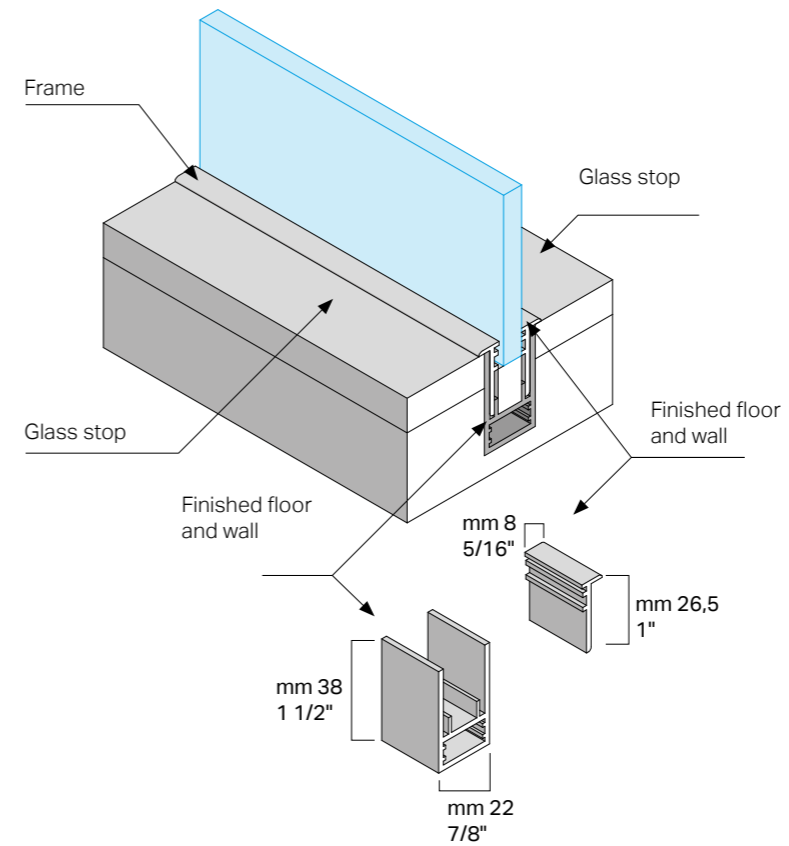
---

- D**  
Corner glass panel - door - glass panel

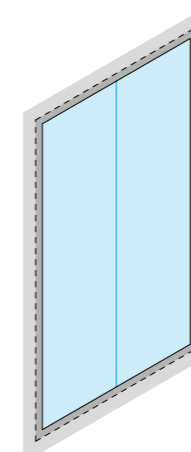
---

- E**  
Glass panel

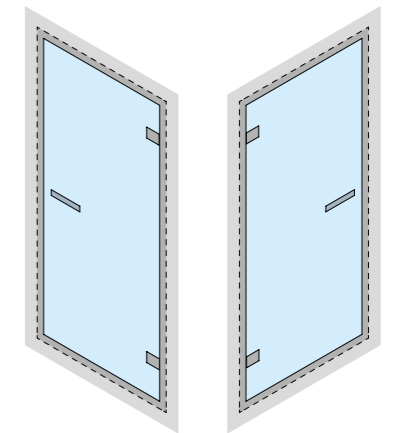
## SECTION



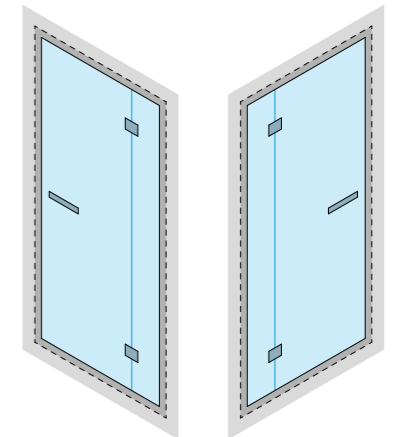
**E**



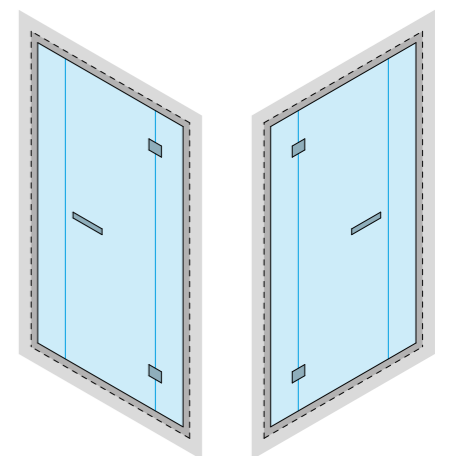
**A**



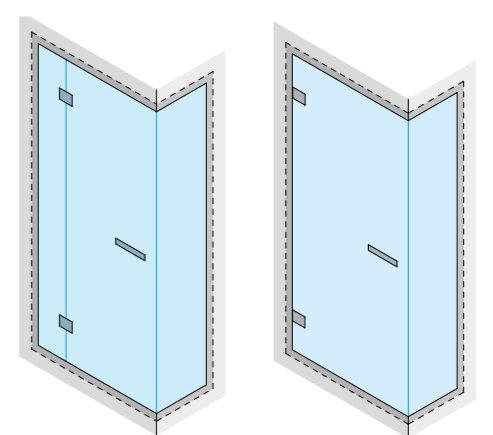
**B**



**C**



**D**



# TUTTOVETRO CONTOUR

## MATERIALS / FEATURES

5/16" (8 mm) clear tempered glass;  
 heights above 7'-2 5/8" (220 cm) glass thickness 25/64" (10 mm)  
 aluminium frame  
 polished aluminium glass-stop edge  
 shiny chrome locking hinge, glass-on-glass type at 180°

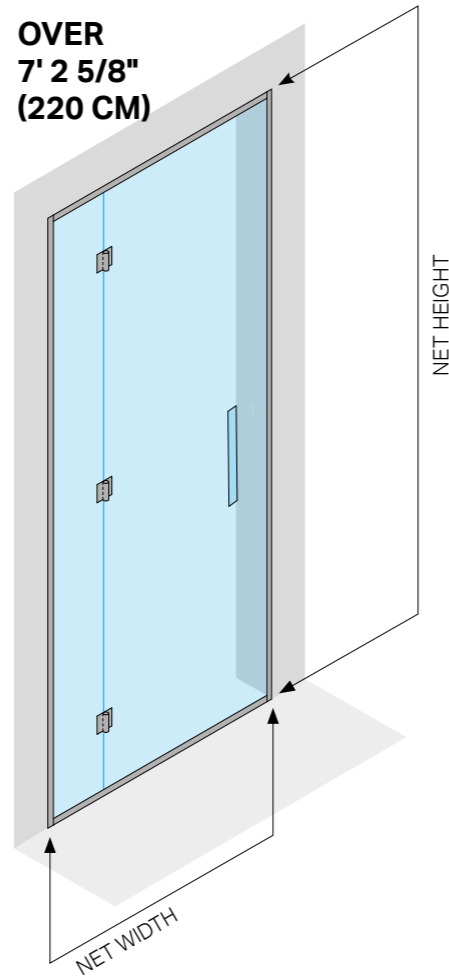
## MINIMUM AND MAXIMUM DIMENSIONS

Minimum width : 2'-9 15/32" (85 cm)  
 Maximum width\*: 7'-2 5/8" (250 cm)

Maximum height :  
 until 7'-2 2/8" (219 cm) with 2 hinges  
 over 7'-2 5/8" (220 cm) until 8'-2 3/8" with 3 hinges

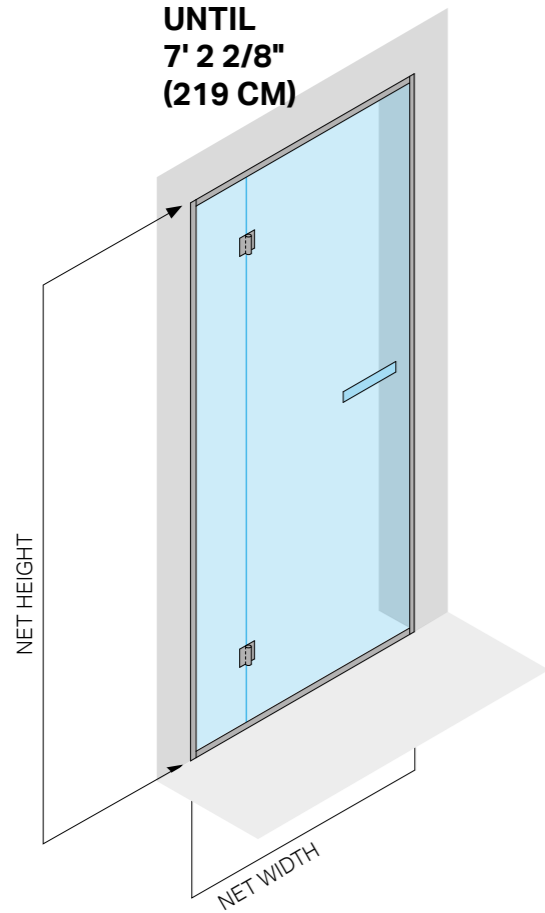
Net width / Net height =  
 size of the finished and tiled wall

**OVER**  
**7' 2 5/8"**  
**(220 CM)**



\* For larger sizes contact Perfect Wellness Group

**UNTIL**  
**7' 2 2/8"**  
**(219 CM)**



PRICE ON REQUEST

## AVAILABLE FORMATS

- A**  
Glass panel - door

---

- B**  
Glass panel - door - glass

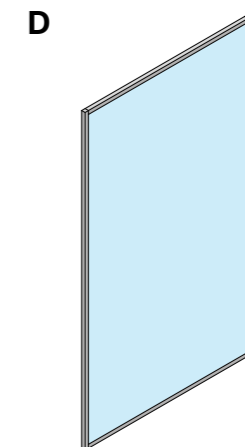
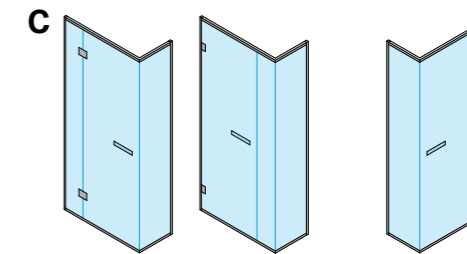
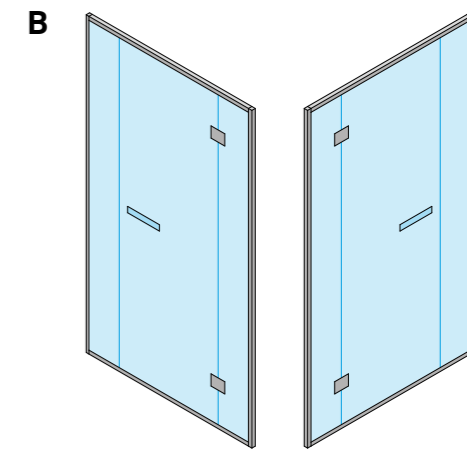
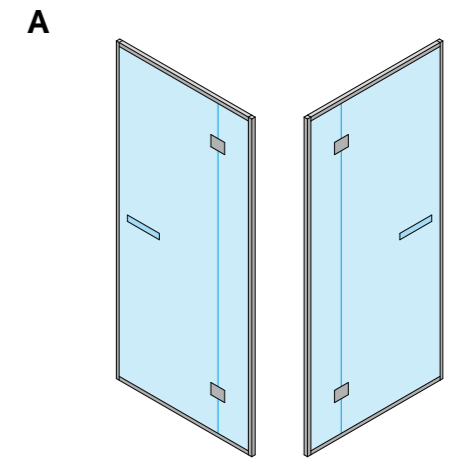
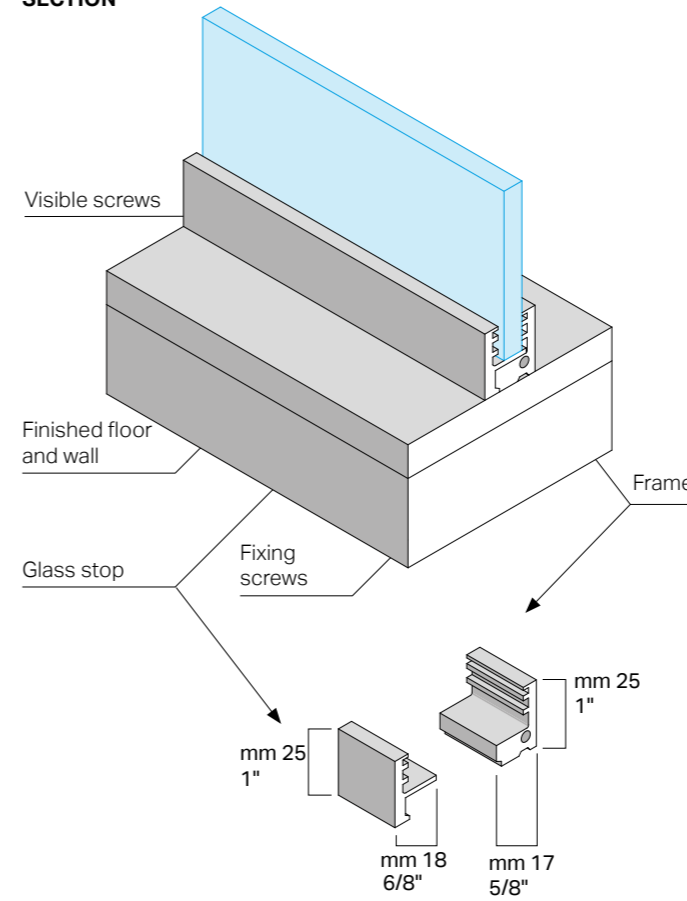
---

- C**  
Corner glass panel - door

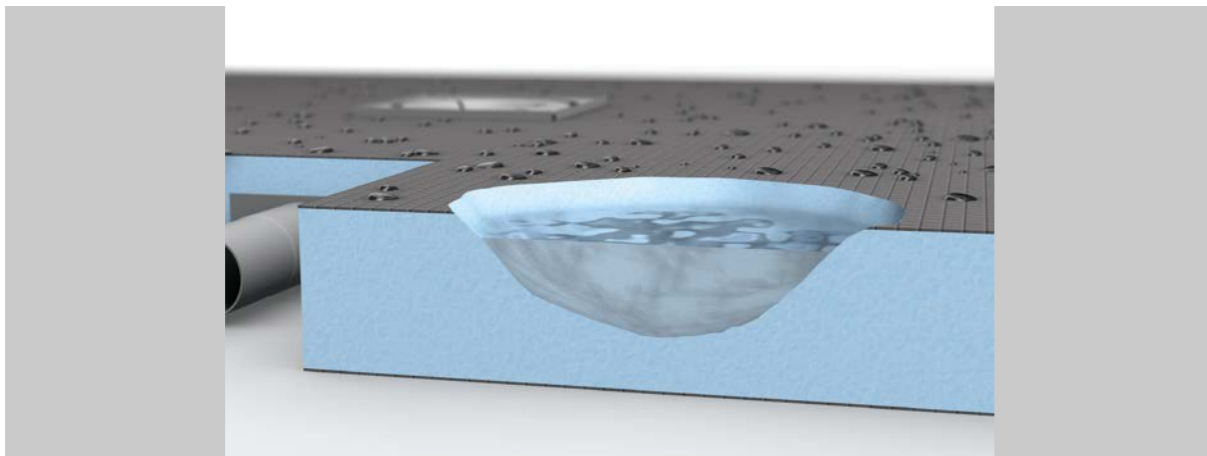
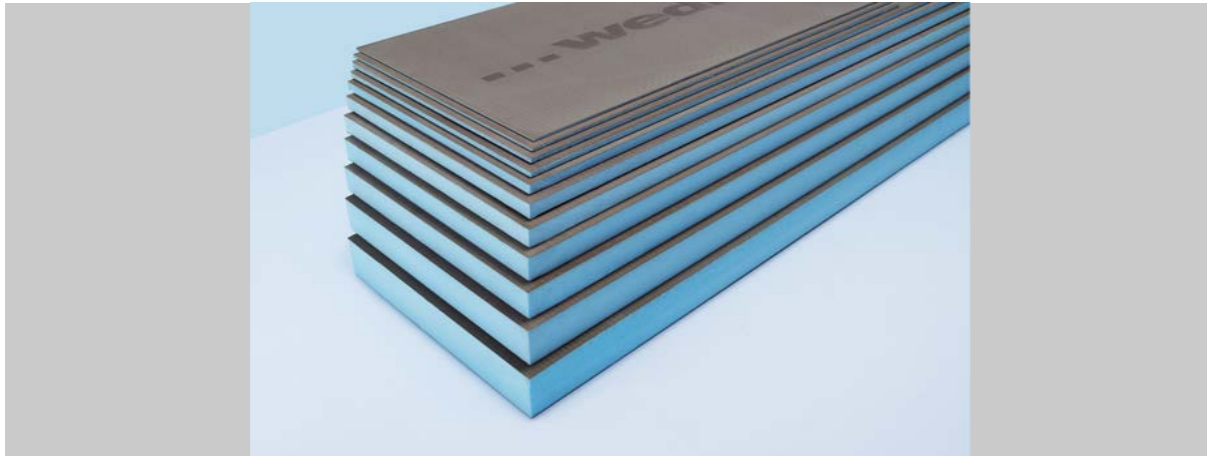
---

- D**  
Glass panel

## SECTION



# Insulation kit



71

## Insulation kit

model	surface sqft	surface m <sup>2</sup>	panels (nr)
01	128	12	8
02	192	18	12
03	288	27	18

# INSULATION KIT

## Technical information

**EACH KIT INCLUDES:**

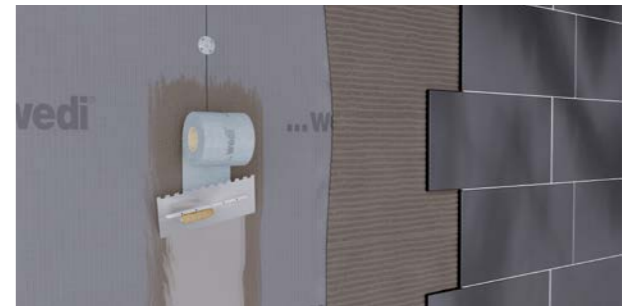
- panels size mm 600x1500 x 12.5 / 2' x 8' x 1/2"  
 Sandwich panels with extruded polystyrene core with mortar reinforced with fiberglass mesh on both sides, can be covered with tiles equipped with fischer wall plugs and includes:
- Vapor 85 by Wedi;
  - Screws and Washers;
  - Sealing Tape;
  - Wedi 620 Sealant;
  - Subliner Dry inside corner;
  - Fexi collar;
  - Sealing Collar.

**INSULATION KIT**

(PANELS + SCREW/WASHER + GLUE + VAPOR BARRIER)\*

01 - UP TO 128 SQFT	Cod: PW900128	\$ 2,625.00
02 - UP TO 192 SQFT	Cod: PW900192	\$ 3,550.00
03 - UP TO 288 SQFT	Cod: PW900228	\$ 4,650.00

\* Please indicate on PO if screws must be for wood or metal studs. If no indication we will provide screws for metal studs.



# Fittings



71 **Mini**

72 **Linea Alu**

74 **Topkapi**

75 **Logica**

# MINI

### DIMENSIONS

cm 48 x 36  
1' 6 57/64" x 1' 2 11/64"

### MATERIALS

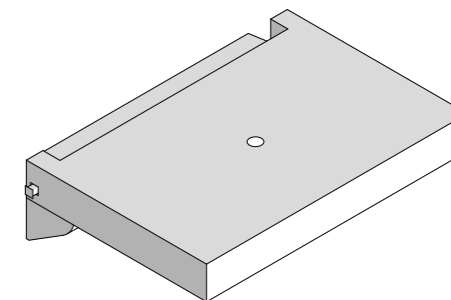
Polished stainless steel  
Teak  
Colored amber resin  
White Cristalplant

### FEATURES

Foldaway seat

#### MINI SEAT

TEAK	Cod: HA 65 10 0001	\$ 1,030.00
CRISTALPLANT	Cod: HA 65 00 0032	\$ 1,030.00



### DIMENSIONS

cm 48 x 20  
1' 6 57/64" x 7 7/8"

### MATERIALS

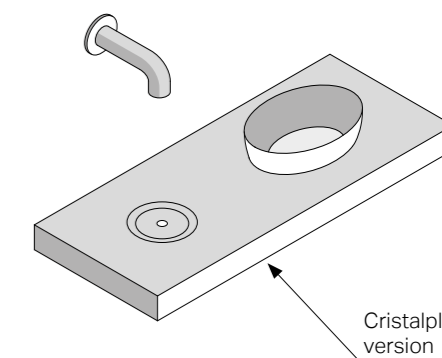
Teak  
White Cristalplant

### FEATURES

Free-flowing outlet and siphon  
Spout  
Bowl

#### MINI SPRING

TEAK	Cod: HA 67 10 0006	\$ 1,110.00
CRISTALPLANT	Cod: HA 67 00 0012	\$ 965.00



# LINEA ALU

## DIMENSIONS

cm 27 x 48 x 45 h  
10 5/8" x 1' 6 57/64" x 1'-5 23/32" h

## MATERIALS

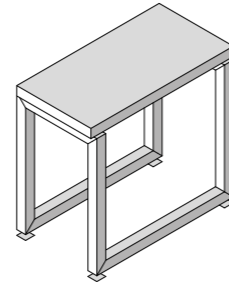
Polished aluminium  
Teak  
Colored amber resin  
White Cristalplant

## FEATURES

Adjustable feet

### LINEA ALU 1 MODULE BENCH

TEAK	Cod: HA 65 10 0007	\$ 1,740.00
CRISTALPLANT	Cod: HA 65 00 0033	\$ 1,575.00



## DIMENSIONS

cm 54 x 48 x 45 h  
1' 9 17/64" x 1' 6 57/64" x 1' 5 23/32" h

## MATERIALS

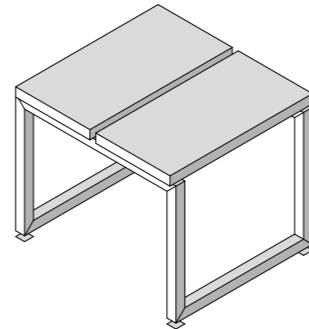
Polished aluminium  
Teak  
Colored amber resin  
White Cristalplant

## FEATURES

Adjustable feet

### LINEA ALU 2 MODULE BENCH

TEAK	Cod: HA 65 10 0006	\$ 2,870.00
CRISTALPLANT	Cod: HA 65 00 0034	\$ 2,515.00



## DIMENSIONS

cm 81 x 48 x 45 h  
2' 7 57/64" x 1' 6 57/64" x 1' 5 23/32" h

## MATERIALS

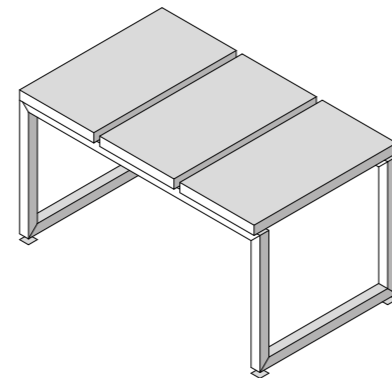
Polished aluminium  
Teak  
Colored amber resin  
White Cristalplant

## FEATURES

Adjustable feet

### LINEA ALU 3 MODULE BENCH

TEAK	Cod: HA 65 10 0005	\$ 3,710.00
CRISTALPLANT	Cod: HA 65 00 0035	\$ 3,225.00



# LINEA ALU

## DIMENSIONS

cm 76 x 76 x 45 h  
2' 5 59/64" x 2' 5 59/64" x 1' 5 23/32" h

## MATERIALS

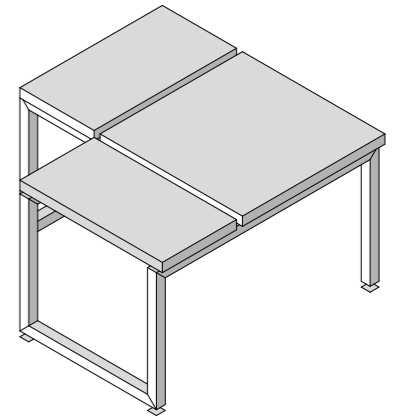
Polished aluminium  
Teak  
Colored amber resin  
White Cristalplant

## FEATURES

Adjustable feet

### LINEA ALU CORNER BENCH

TEAK	Cod: HA 65 10 0008	\$ 4,230.00
CRISTALPLANT	Cod: HA 65 00 0036	\$ 3,875.00



# TOPKAPI

## DIMENSIONS

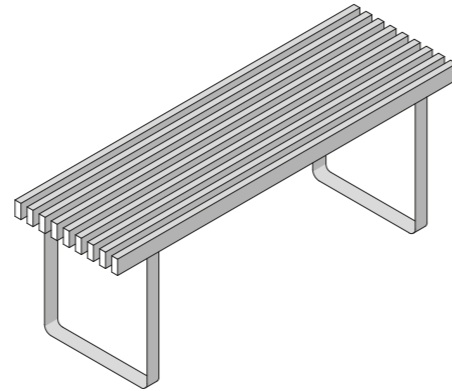
cm 115 x 35 x 44 h  
3' 9 9/32" x 1' 1 23/32" x 1' 5 21/64" h

## MATERIALS

316 stainless steel support  
Seat in natural finish Burmese teak

### TOPKAPI 115 SEAT

Cod: HA 65 10 0021	\$ 4,100.00
--------------------	-------------



## DIMENSIONS

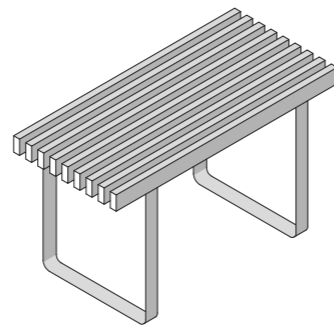
cm 75 x 35 x 44 h  
2 61/64" x 1' 1 25/32" x 1' 5 21/64" h

## MATERIALS

316 stainless steel support  
Seat in natural finish Burmese teak

### TOPKAPI 75 SEAT

Cod: HA 65 10 0020	\$ 3,650.00
--------------------	-------------



# LOGICA

## DIMENSIONS

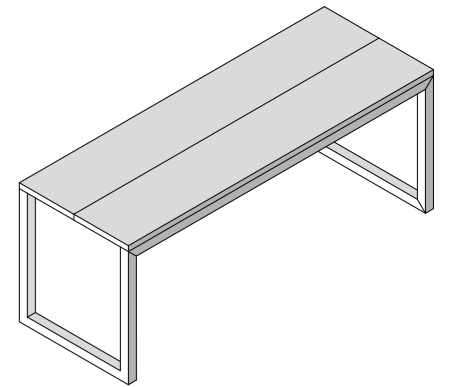
cm 114 x 41 x 45 h  
3' 8 7/8" x 1 39/64" x 1' 5 23/32" h

## MATERIALS

9/64" laminated gres porcelain  
fitted to 19/32" tempered glass

### LOGICA 114 SEAT

SAND	Cod: AS 10 01 1397	\$ 2,950.00
CLOUD	Cod: AS 10 02 1397	\$ 2,950.00
STONE	Cod: AS 10 03 1397	\$ 2,950.00



## DIMENSIONS

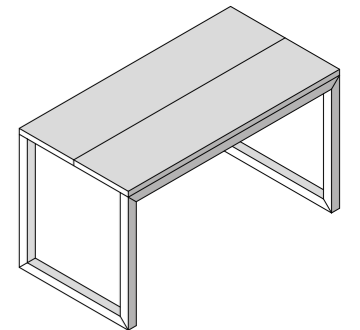
cm 79 x 41 x 45 h  
2' 3 11/64" x 1 39/64" x 1' 5 23/32" h

## MATERIALS

9/64" laminated gres porcelain  
fitted to 19/32" tempered glass

### LOGICA 79 SEAT

SAND	Cod: AS 10 01 1401	\$ 2,690.00
CLOUD	Cod: AS 10 02 1401	\$ 2,690.00
STONE	Cod: AS 10 03 1401	\$ 2,690.00



## DIMENSIONS

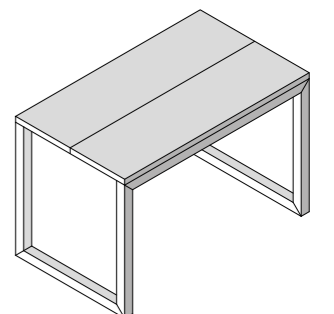
cm 69 x 41 x 45 h  
2' 3 11/64" x 1 39/64" x 1' 5 23/32" h

## MATERIALS

9/64" laminated gres porcelain  
fitted to 19/32" tempered glass

### LOGICA 69 SEAT

SAND	Cod: AS 10 01 1400	\$ 2,490.00
CLOUD	Cod: AS 10 02 1400	\$ 2,490.00
STONE	Cod: AS 10 03 1400	\$ 2,490.00



# PURCHASE TERMS (PERFECT WELLNESS GROUP INC/EFFE PRICELIST STEAM)

## ORDERS

Once an order is placed, the customer has accepted all following conditions and cannot be cancelled prior to written agreement with Perfect Wellness Group Inc.

## PRICES

Prices shown in this price book are effective October 1st, 2022 and may be subject to change without notice.

## PAYMENTS

Payment is due at the order or if the account has approved credit at 30 days from receipt of merchandise. Overdue invoices will result in the account to be 'frozen'. Therefore, all pending shipments will be held, and new orders will not be processed until the account is current.

## FREIGHT

All shipments are FOB out of New Jersey (NJ) and Los Angeles (CA). Customer may either pick up the items from our warehouse at no additional cost or Perfect Wellness Group Inc will ship the item(s) at the current market rate with UPS Ground or similar service. Orders less than \$1,000.00 will incur an additional \$70.00 handling fee. Any special requests such as delivery to final customer or carrier/service type must be discussed with a Perfect Wellness Group Inc representative and/or customer service.

## DELAYS

Perfect Wellness Group Inc will not be held not responsible for any delay due to condition(s) beyond its control. These may include strikes, fires, floods, material shortage, transportation accidents, natural disasters and/ or any other unforeseen circumstance.

## DAMAGE OR LOSS

Once the carrier has taken possession of the goods, it is their responsibility to deliver in the same conditions as dispatched by Perfect Wellness Group Inc. Any loss or damage in transit must be reported within 48 hours to the carrier by the customer. Perfect Wellness Group Inc will not be held responsible for any damage or loss claims if the customer fails to follow the above procedure.

## CLAIMS

Shortages, defective and/or incorrect material received, will be considered a claim. In that event, all details must be noted on the bill of lading/delivery receipt and are

to be reported to Perfect Wellness Group Inc within 5 business days. Customers are responsible for inspection

of goods at the time of delivery. A clear, signed bill of lading/delivery receipt will constitute full acceptance by the customer and claims will not be accepted afterwards.

## LABOR

Perfect Wellness Group Inc will not cover any labor charges resulting from the sale, installation, use, or replacement of its products.

## RETURNS

Non-damaged merchandised may be returned after prior written authorization and inspection by Perfect Wellness Group Inc within 120 days of receipt. All returns require a Return Goods Authorization (RGA). Any discontinued product(s) in a non-resalable condition will not be accepted. It is the customer's responsibility to organize return of goods to Perfect Wellness Group Inc, prepay freight, and to include all related paperwork (RGA, copy of the invoice, and packing list). ALL RETURNS ARE SUBJECT TO A 25% RESTOCKING FEE. CUSTOMERS ARE RESPONSIBLE FOR ALL SHIPPING CHARGES TO AND FROM OUR FACILITY. The RGA number must be clearly noted outside the parcel. Upon receipt and final inspection, Perfect Wellness Group Inc will post a credit memo to the customer's account, less a 25% restocking fee. Special or custom orders are non-returnable. Please note that Perfect Wellness Group Inc does not issue reimbursement checks for approved returns.

## WARRANTY

Perfect Wellness Group Inc products carry the following limited warranty:

### 1. LIMITED WARRANTY

**1.1** PERFECT WELLNESS GROUP INC/EFFE warrants that the "EFFE" product (hereafter "Product") in relation to which this Limited Warranty is provided is free from defects in materials and workmanship for 2 (two) years from the date of activation of this Limited Warranty by the Purchaser.

**1.2** This Limited Warranty is the sole warranty issued by Perfect Wellness Group Inc/EFFE in relation to the Product.

In no case, shall any other representation or warranty of third parties be binding on PERFECT WELLNESS GROUP INC/ EFFE.

## 2. WARRANTY EXCLUSIONS AND LIMITATIONS

**2.1** This Limited Warranty does not cover:

a) Removable components of the Products, including but not limited to knobs, handles, lamps, mirrors, external piping and other accessories.

b) Consumable materials and Products' components subject to wear due to usage, including but not limited to filters, seals, boilers for steam generators, valves, heater elements, filters, gaskets, pipes.

c) Products which PERFECT WELLNESS GROUP INC/EFFE determines to have been tampered with or whose serial number has been modified, removed, altered or otherwise rendered illegible.

d) Products which have been assembled, installed, connected to the power supply systems, commissioned, repaired or modified by personnel not qualified or authorized by PERFECT WELLNESS GROUP INC/EFFE, even if the repair or modification work was carried out using original spare parts.

**2.2** This Limited Warranty does not apply if the defect is not directly attributable to PERFECT WELLNESS GROUP INC/EFFE including, without limitation, all cases where the defect has been caused by:

a) Damage incurred during transportation (scratches, dents, faults, etc.).

b) Assembly, installation, connection to the power supply systems or commissioning of the Product performed incorrectly or not performed in accordance with the instructions provided by PERFECT WELLNESS GROUP INC/EFFE.

c) Any use that is not in accordance with the instructions provided by PERFECT WELLNESS GROUP INC/EFFE or, in any event, for purposes or in manners other than those for which the Product is specifically intended.

d) Normal wear and tear of the Product due to use or non-use.

e) Problems in the surface layer of the Product due to dirt, lime scale, scratches or abrasions, which have arisen during usage of the Product or due to direct exposure to atmospheric agents, or due to the use of unsuitable cleaning products and/or abrasive products.

f) Lack of or insufficient and proper maintenance, or maintenance not carried out in accordance with

the instructions provided by PERFECT WELLNESS GROUP INC/EFFE and/or the diligence required

by the nature of the Product.

g) Other causes that are not ascribable to PERFECT WELLNESS GROUP INC/EFFE including, but not limited to repairs or modifications made by the Purchaser, tampering, knocks, vandalism, misuse, accidents, or acts of God.

## 3. ACTIVATION OF THE LIMITED WARRANTY

In order to benefit this Limited Warranty, the Purchaser shall activate it no later than 15 (fifteen) days from the date of purchase of the Product. Attached form must be completed and received by email at support@perfectwellness-group.com, inclusive of the following information: name of the Purchaser, address of Product installation, Product serial number, and purchase date.

## 4. WARRANTY SERVICE AVAILABLE UNDER THE LIMITED WARRANTY

**4.1** In order to obtain warranty service under this Limited Warranty, the Purchaser shall notify the defect directly to PERFECT WELLNESS GROUP INC/ EFFE or to any PERFECT WELLNESS GROUP INC/ EFFE authorized service center, the details of which are available on the website www.perfectwellnessgroup.com .

**4.2** In case the defect notified by the Purchaser is ascertained by PERFECT WELLNESS GROUP INC/ EFFE as covered by this Limited Warranty, PERFECT WELLNESS GROUP INC/EFFE will issue a service order number, and at its sole discretion will exclusively repair or replace the defective Product or Product's components at no costs to the Purchaser. PERFECT WELLNESS GROUP INC/EFFE shall provide no warranty service to the Purchaser in the absence of a regularly issued authorized service order number.

**4.3** Should the Product be installed in locations which are hardly reachable or along with rare or valuable materials, the Purchaser shall bear any and all labor charges in addition to other charges incurred by PERFECT WELLNESS GROUP INC/EFFE to remove, transport, and reposition the Product in its original place of installation.

**4.4** All warranty services shall be performed by PERFECT WELLNESS GROUP INC/EFFE, or by its designated appointees using original spare parts that will be provided to the Purchaser and subject to availability. PERFECT WELLNESSGROUP INC/ EFFE cannot guarantee that the



This price list is available in digital,  
interactive format to make it easier to consult,  
Download it at the link on the private area:  
<https://www.perfectwellnessgroup.com>



Via Gallo 769  
47522 Cesena (FC)  
Italy

tel +39 0547 372881

[www.effe.it](http://www.effe.it)  
[info@effegibi.it](mailto:info@effegibi.it)



**PERFECT WELLNESS GROUP**

**North America**

225 Broadway, Unit # 860  
10007 New York, NY  
T. 917.671.0300  
[www.perfectwellnessgroup.com](http://www.perfectwellnessgroup.com)

Customer service:  
[contact@perfectwellnessgroup.com](mailto:contact@perfectwellnessgroup.com)