

H|S



MADRID™



FEATURES

Made of Hydroluxe SS™

A high-performance blend of ground natural minerals and man-made composites, that provides added durability, insulation, and protection against scratches, stains, bacteria, mold and mildew.

Linear Integral Drain

Standard inclusion, comes color matched to tub unless specified otherwise. Available in a wide array of color/finish choices.

Drain included

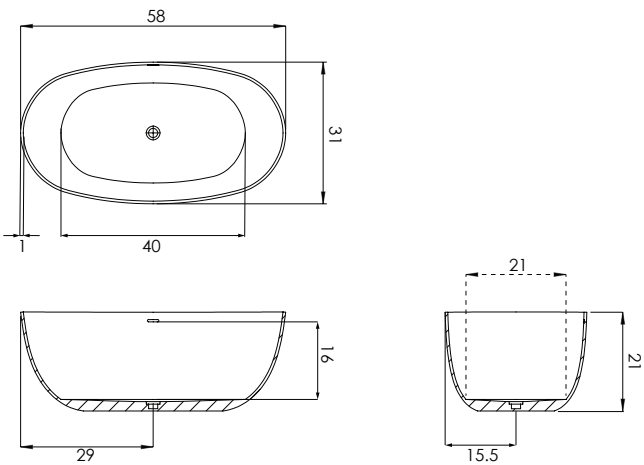
Ability to add thermal air system, which includes the HydrOzone for free.



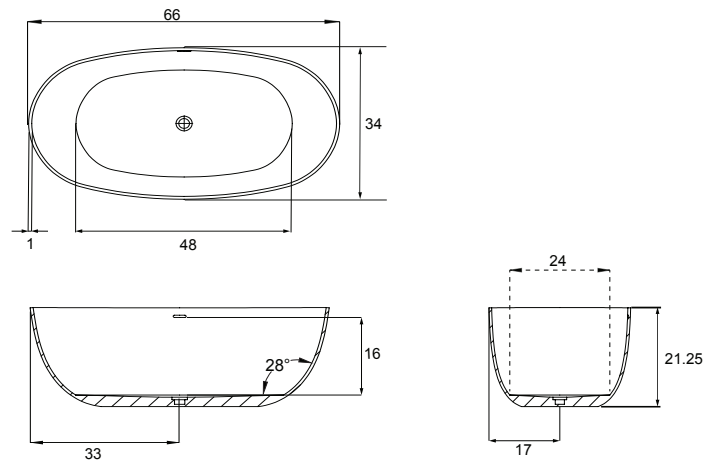
FORTE
GROUP



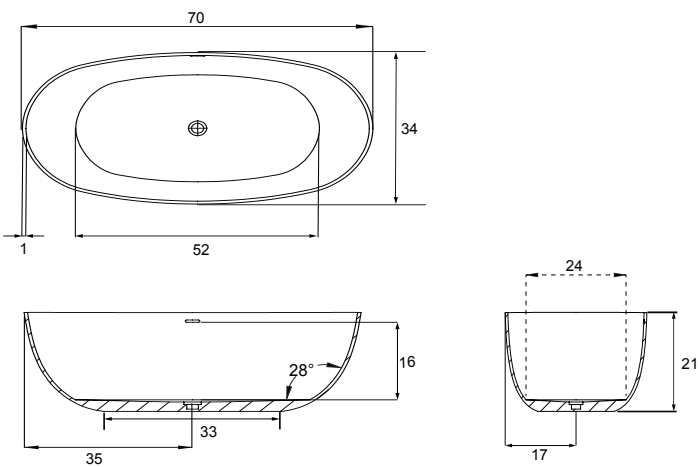
58"L x 31"W x 21"D



66"L x 34"W x 21"D



70"L x 34"W x 21"D



	NET PRICE
HSMAD5831HTO	\$2,680
HSMAD6634HTO	\$2,770
HSMAD7034HTO	\$2,865
Matte Finish	\$ 250
Premium Color Upgrade (matte or gloss)	\$ 825
Thermal Air	\$2,100
Linear Integral Drain	Included

All Madrid tubs will ship FFA.



FORTE GROUP