




ami



**MADE IN
OHIO SINCE
1980**



AMERICAN MARBLE INDUSTRIES

2022-2023 PRODUCT CATALOG

www.amisurfaces.com

CONTENT & DISCLAIMER PAGE

PLEASE NOTE: COLOR & DESIGN WILL VARY

Standard Vanity Tops / pages 1 - 2

Custom Vanity Tops / page 3

Special Edges / pages 4

Bowl Selections & Specs / pages 5 - 6

Custom Bases & Thresholds / page 7

Standard Bases / page 8

Molded & Acrylic Tubs / page 9

Trim & Molding & Backsplashes / page 10

Accessories / pages 11- 12

Premium Drains / pages 13

Standard Tub & Shower Kits / pages 14 - 16

Madera Wood / pages 17 - 18

Tyvarian / pages 19 - 22

Solid Surface / pages 23 - 24

Commercial Projects / pages 25

Our Vendors / pages 26

**PLEASE NOTE:
STORAGE FEES MAY APPLY IF
AMERICAN MARBLE IS TO
STORE ANY ORDERS PAST
THEIR DATE OF
MANUFACTURING
COMPELTEION. RATES ARE
SUBJECT TO CHANGE WITH
OR WITHOUT NOTICE.**

ALL PRODUCTS ARE MANUFACTURED WITHIN A +/- 1/4" TOLERANCE

Terms and Conditions:

Terms are net 30 days with an established account. All others are C.O.D. All prices are F.O.B. canton factory unless other arrangements have been previously made. Prices are subject to change without notice.

Shipment Damage:

We are not responsible for any damage incurred after a shipment has been delivered to you by our truck or after it has been picked up by a carrier. Therefore, all claims should be made to the carrier for damaged or lost merchandise.

Defective Merchandise:

Once we have received and inspected the merchandise, we will either:

- A. Repair and return to you at no cost.
- B. Replace and return to you at no cost.
- C. Issue credit for the full amount of the merchandise.
- D. If the merchandise is found to have no defects it will be returned to you on the next regular shipment.

If the merchandise cannot be returned until a replacement is on the jobsite, we will either:

- 1. Remake make and send a replacement to you as a regular shipment. We will invoice you for the merchandise and any shipping and handling charges. When we receive and inspect the defective merchandise, we will issue you credit for the same. If there is no defect, there will be no credit issued and the merchandise will be returned to you in the next shipment.
- 2. Repair the merchandise by factory personnel or we will have a factory authorized person repair the merchandise and send the bill to us.

Incorrect Merchandise:

On custom sizes, custom colors, or any custom merchandise, no returns or credits will be authorized unless a written confirmation is sent to us

before the merchandise is manufactured and the merchandise is not made to the specifications of the confirmation. We cannot guarantee size, color, etc., without a written purchase order and confirmation.

Replacements without confirmation will be invoiced. In the result of merchandise incorrectly manufactured with the proper purchase order, we will either:

- A. Replace and return to you. We will invoice you for the merchandise and any shipping and handling charges. When the incorrect merchandise is received back we will issue credit for the same.
- B. Remake and exchange at no charge.
- C. Pick-up incorrect merchandise and issue a full credit.

Storage of AMI Product:

AMI includes clear instructions of proper storage for all products. AMI is not responsible for warped or damaged product due to improper storage. If product is damaged after delivery due to incorrect storage, impact, or other circumstances, AMI can repair or replace the product at a cost subject to review.

Cancellations:

All AMI product is made-to-order. Customer requests must be received through email and is not guaranteed. Cancellation requests for orders that have not begun the manufacturing process will be allowed with no charges. If an order is already in production, your request will be denied and still require payment.

Return, Repair, and Restocking Policy:

We will not accept any returns or repair any merchandise unless and authorized number has been issued by Kephaco American Marble Industries before hand.

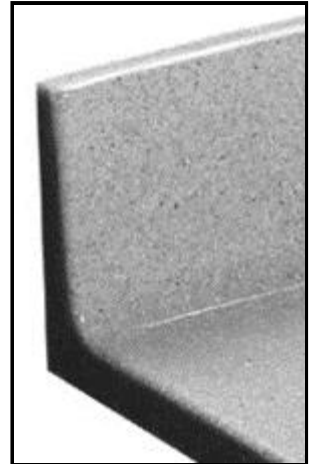
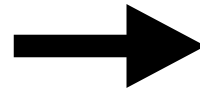
STANDARD VANITY TOPS

What you can expect with our **standard** molded vanity tops:

- ★ Our Standard tops are beloved for their faster turn around time and affordable cost!

What features do they come with?

- Includes a 4" integral back splash
- Bowl location is centered
- No drip front and side edges
- Recessed oval or Shell bowl option
- Choice of single, 4", or 8" faucet drills
- Choice of gloss or matte finish
- End splashes available upon ordering



STANDARD TOP SIZES

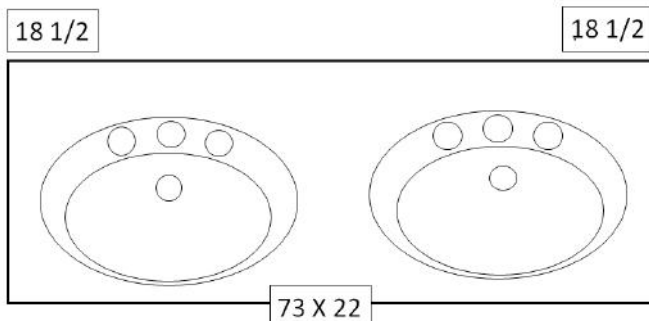
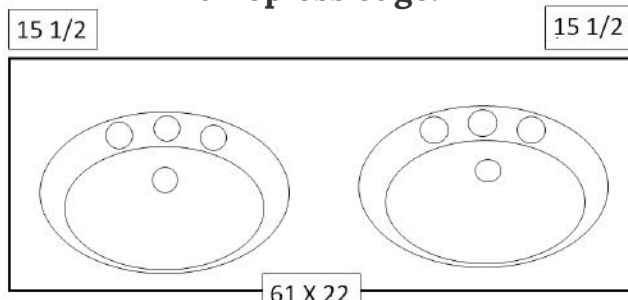
Marble or Solid Marble Category 1	Alabaster Category 2	Ironstone Category 3
25 x 22 Recessed Oval or Shell Bowl		
31 x 22 Recessed Oval or Shell Bowl		
37 x 22 Recessed Oval or Shell Bowl		
43 x 22 Recessed Oval or Shell Bowl		
49 x 22 Recessed Oval or Shell Bowl		
61 x 22 Recessed Oval or Shell Bowl		
25 x 19 Recessed Oval bowl Only		
31 x 19 Recessed Oval bowl Only		
37 x 19 Recessed Oval bowl Only		
49 x 19 Recessed Oval bowl Only		
19 x 17 **Backsplash will be 3 3/4" high overall on this top** Oval Bowl Only		
61 x 22 Double Recessed Oval Bowl Only		
73 x 22 Double Recessed Oval Bowl Only		

Please see our bowl pages for additional information.



Recessed Oval

Both standard double bowl vanity tops come with a 3/4" thick eased edge only, on three sides. Not a driopless edge.



CUSTOM VANITY TOPS

PLEASE NOTE: COLOR & DESIGN WILL VARY



Custom tops have lesser restrictions and greater flexibility in feature options. What you can customize:

- Length and depth
- Bowl type and placement
- Quantity of bowls
- Overall vanity shape
- Backsplash type
- Add Banjo arms, angles, radius', etc.
- And ***MORE!***

**SEE BOWL
TYPES & SPECS
ON PAGE 5 - 6**



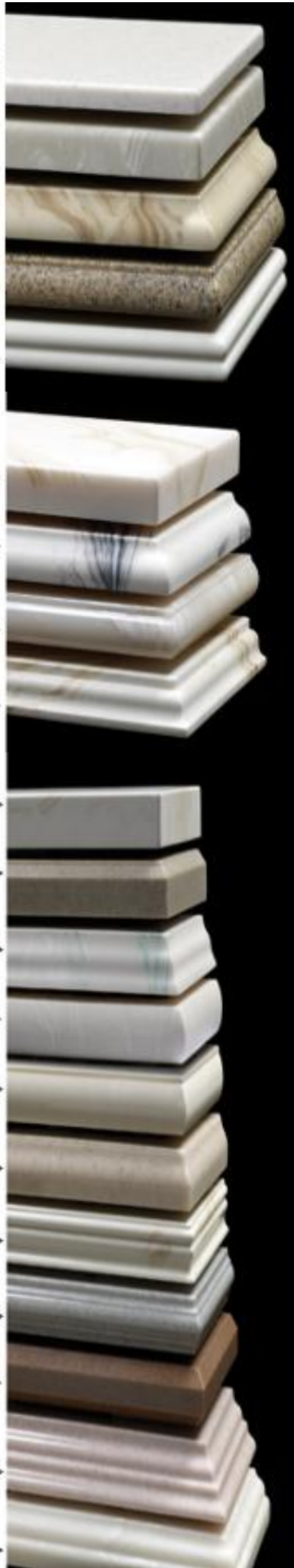
Exclusive, integral
molded edge
treatments are priced
per linear inch

Specialty
EDGES
CUSTOMIZE YOUR TOP

These edges may
only be done in
cultured marble
material.



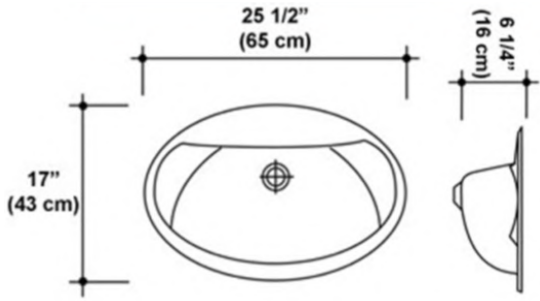
- 3/8" Wall Panel NC per inch →
- #1002 3/4" Edge Standard Thickness →
- #1003 3/4" Edge →
- #1013 3/4" Edge →
- #1020 3/4" Edge →
- #1004 1" Edge →
- #1005 1" Edge →
- #1014 1" Edge →
- #1017 1" Edge →
- #1006 1-1/2" Edge →
- #1006.5 2" Edge →
- #1007 1-1/2" Edge →
- #1009 1-1/2" Edge →
- #1012 1-1/2" Edge →
- #1015 1-1/2" Edge →
- #1018 1-1/2" Edge →
- #1021 1-1/2" Edge →
- #1022 1-1/2" Edge →
- #1023 1-1/2" Edge →
- #1024 1-1/2" Edge →
- #1025 1-1/2" Edge →



PREMIUM BOWL SPECS



Classic

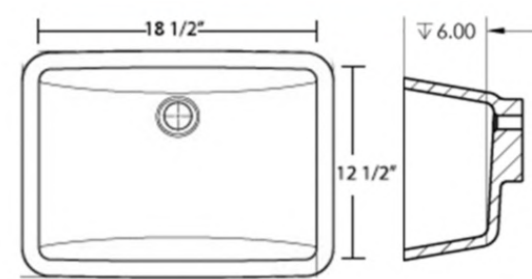


Premium Classic Bowl

All premium bowls need to be on 22" or deeper vanity tops



Neuvo Undermount



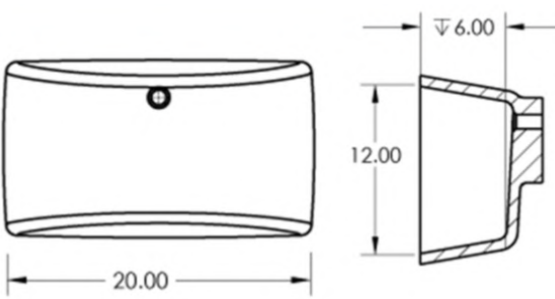
Premium Neuvo China Undermount



EASED EDGE



Wave



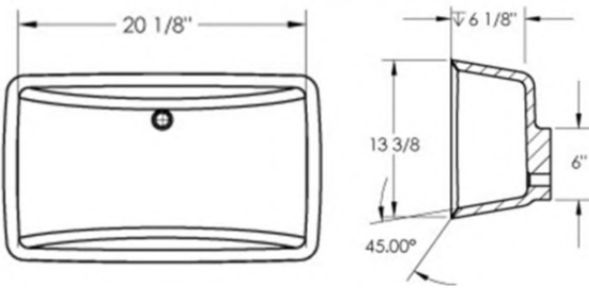
Premium Wave Bowl



OGEE EDGE



Contemporary

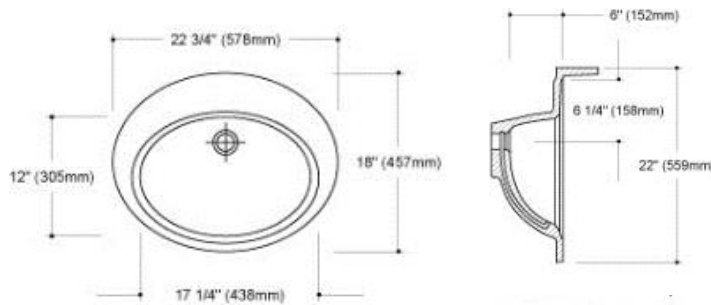


Premium Contemporary Bowl

STANDARD BOWL SPECS



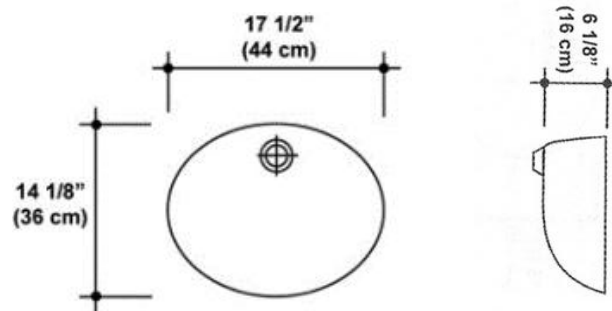
Recessed Oval



RECESSED OVAL
22" or deeper



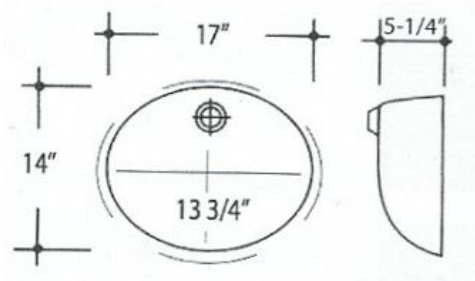
CAMEO



CAMEO BOWL
22" or deeper



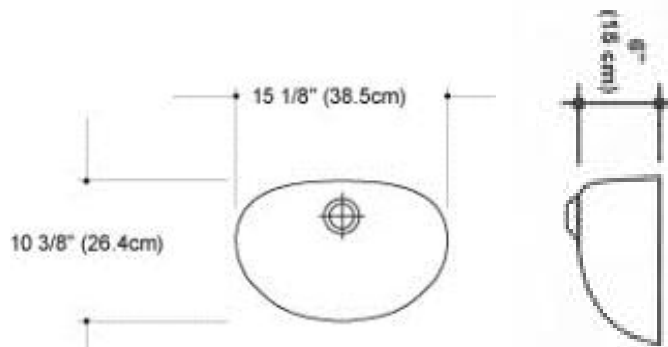
Deco Undermount



DECO CHINA
UNDERMOUNT BOWL
22" or deeper



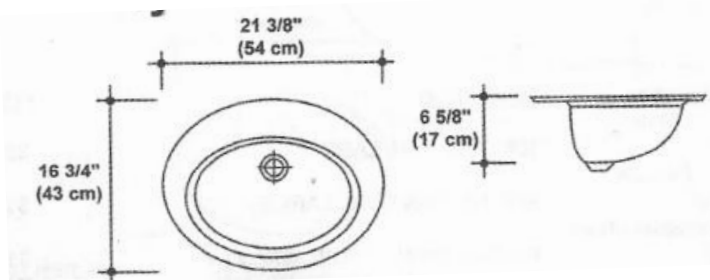
Mini Oval



MINI OVAL
17" or deeper

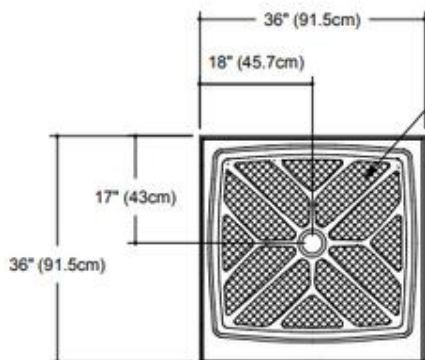


Smaller Recessed Oval

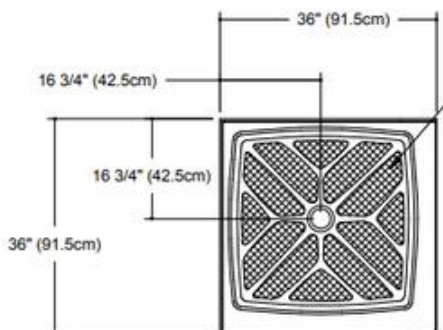


Smaller
Recessed Oval
19" or deeper

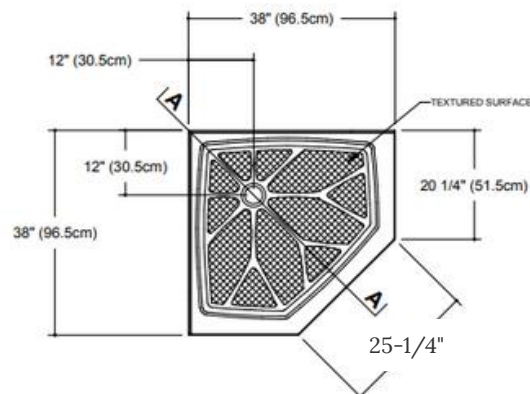
STANDARD BASES



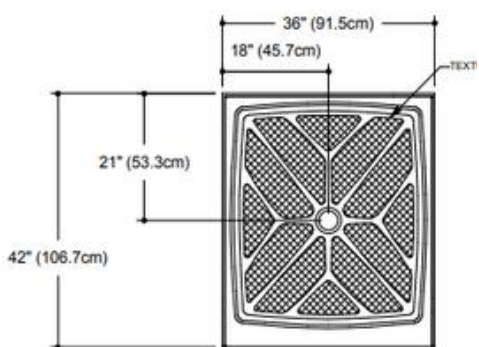
36" x 36"



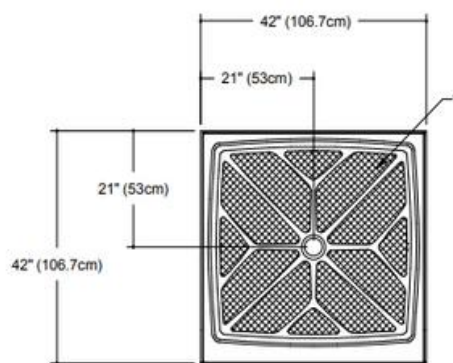
**36" x 36" Corner
Double Threshold**



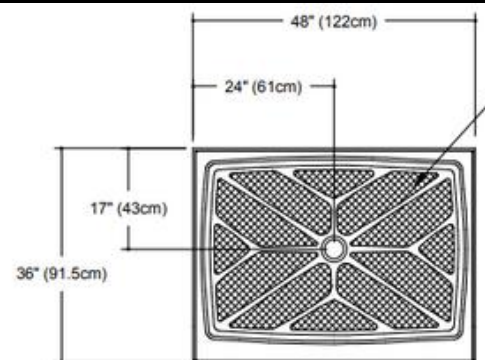
38" x 38" Neo



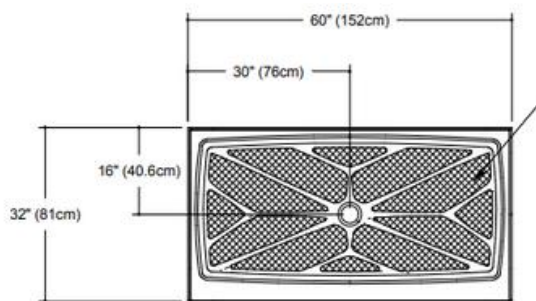
36" x 42"



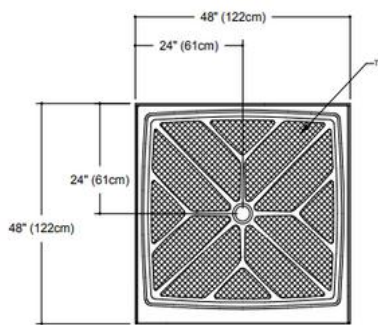
42" x 42"



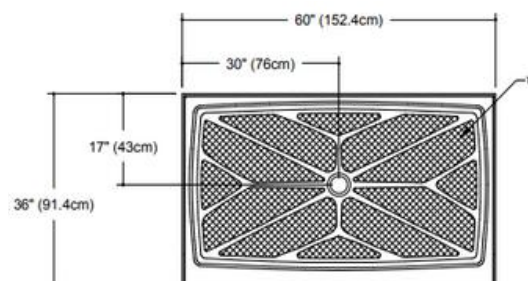
48" x 36"



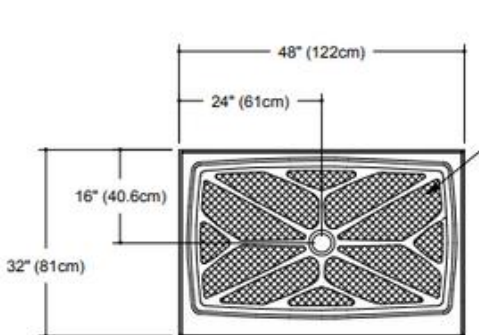
60" x 32"



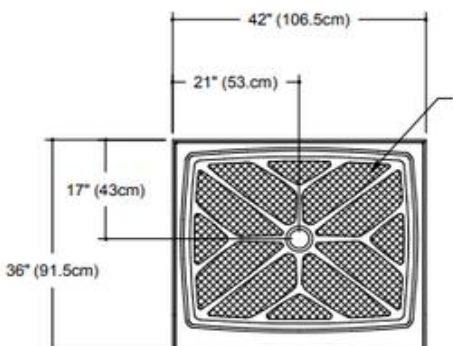
48" x 48"



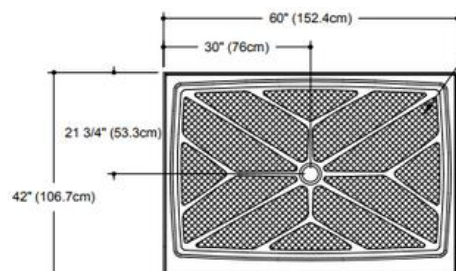
60" x 36"



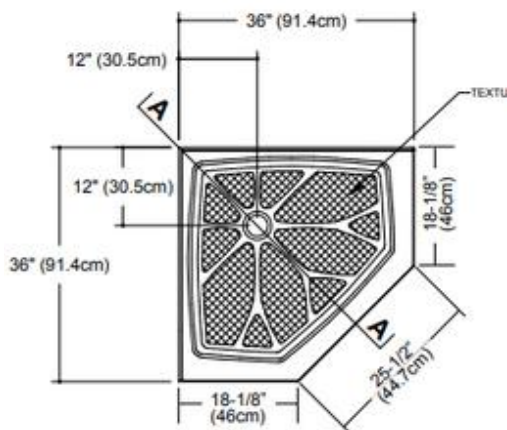
48" x 32"



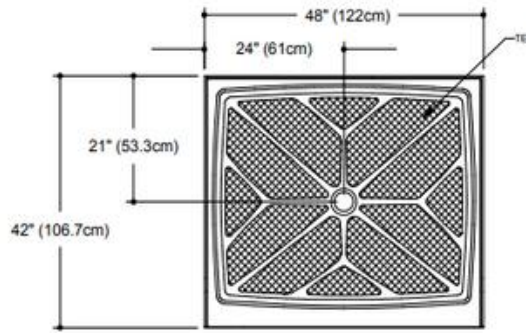
42" x 36"



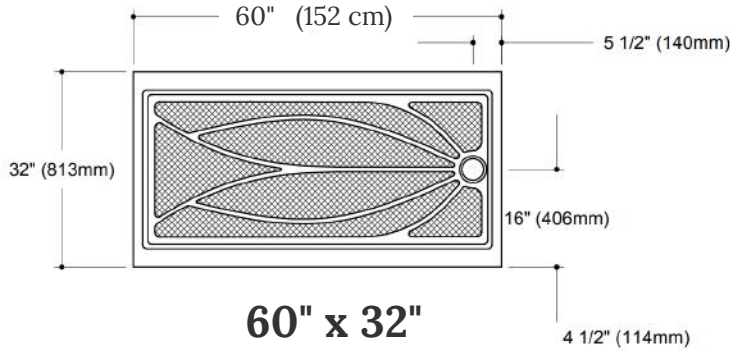
60" x 42"



36" x 36" Neo



48" x 42"



60" x 32"

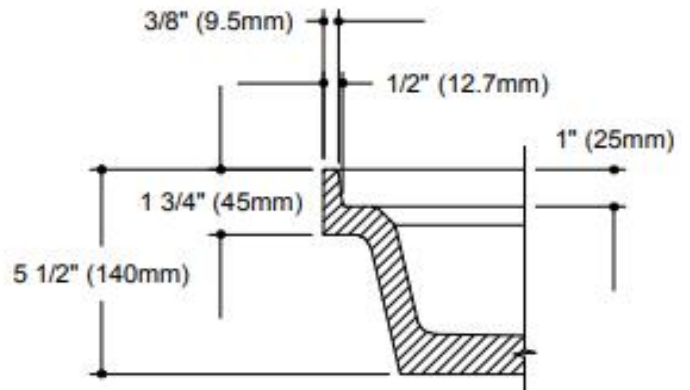
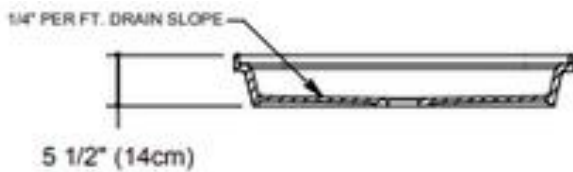
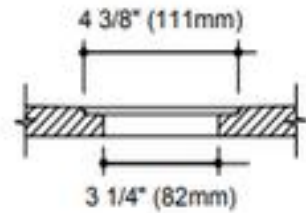
Tub Replacement

Right or left hand drain

Can be cut down to a minimum 58-1/2" x 30"

Rubber water barrier on this base

Standard bases instantly come with an integral threshold, non-adjustable drain placements, and non-adjustable sizes. The only exception is the Tub Replacement base. See spec for details.



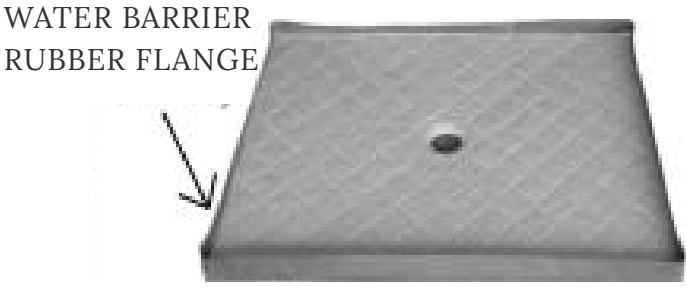
CUSTOM BASES

Custom shower bases are made to your specs. Each base is made with a 1/4" per foot slope to the drain location. Each base has a water barrier rubber flange attached.

There is no threshold attached--you must order this piece separately!



REGULAR TEXTURE OPTION



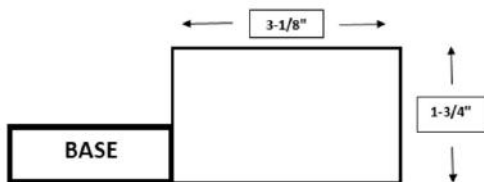
NO GROUT TILE OPTION



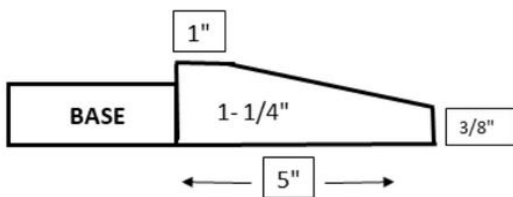
Rough opening size is stud wall to stud wall. You can make a custom base as large as 120" x 96"!

THRESHOLDS

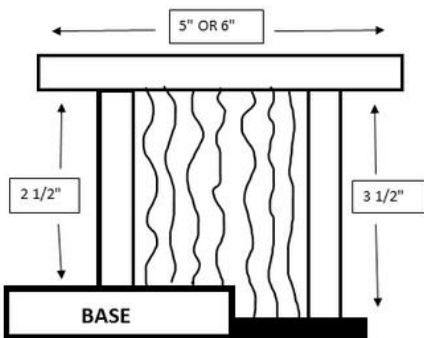
When ordering your custom shower base, please account for threshold. Otherwise shower may exceed the desired finished size. See below for each deduction you would need to make.



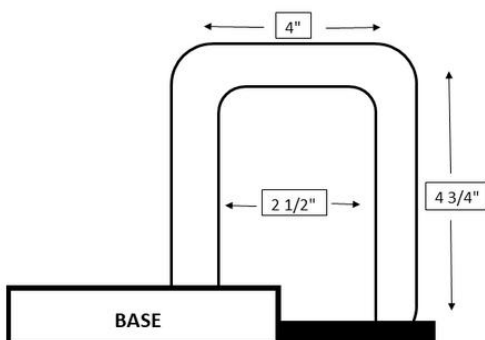
LOW BLOCK THRESHOLD
DEDUCT 3-1/8"



HANDICAP THRESHOLD
DEDUCTION IS
DEPENDENT ON
PLACEMENT



**THREE-PIECE
THRESHOLD**
DEDUCT 3-3/8"



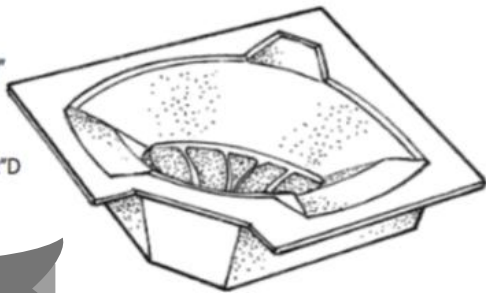
**ONE-PIECE
THRESHOLD**
DEDUCT 2"

MOLDED TUBS

**FOR TUB
REQUESTS, PLEASE
CALL THE OFFICE
FOR AVAILABILITY.**

ACRYLIC TUBS

STEVEN 5'-6" x 5'-6"
105 Gallon
Tub Size
66"W x 66" L x 20-1/2"D



Beijing Tub

67" Long x 29 1/2" Wide x 22 7/8" High
Requires Deck Mount or
Freestanding Faucet (Not Included)



Paris Tub

67" Long x 31 1/2" Wide x 26 3/4" High
Requires Freestanding Faucet (Not Included)



London Tub

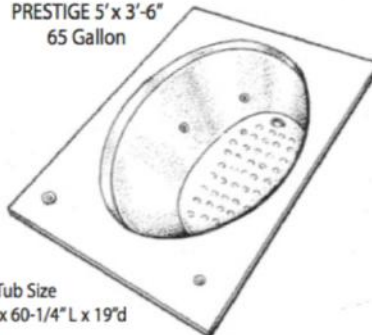
67" Long x 31 1/2" Wide x 23" High
Requires Freestanding Faucet (Not Included)



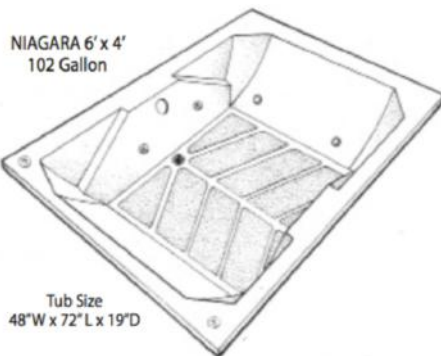
Sydney Tub

67" Long x 30 1/2" Wide x 28 1/2" High
Requires Deck Mount or
Freestanding Faucet (Not Included)

PRESTIGE 5' x 3'-6"
65 Gallon



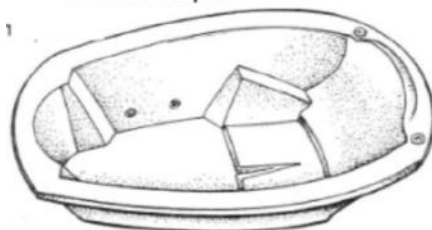
Tub Size
42-1/4"W x 60-1/4" L x 19"d



NIAGARA 6' x 4'
102 Gallon

Tub Size
48"W x 72" L x 19"D

SENSATE 5'-8" x 3'-6"
65 Gallon Drop-In



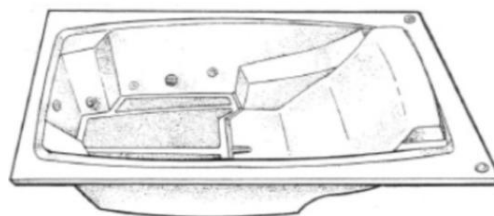
Tub Size 42"W x 68" L x 21"D

ASTRO 5' x 2'-6"
48 Gallon



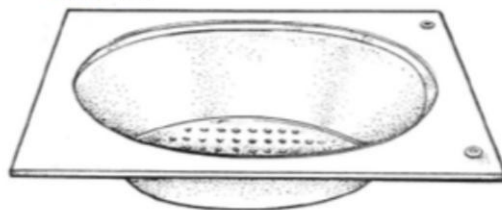
Tub Size
31"W x 61" L x 16 1/2"D

APOLLO 6' x 3'-6"
62 Gallon



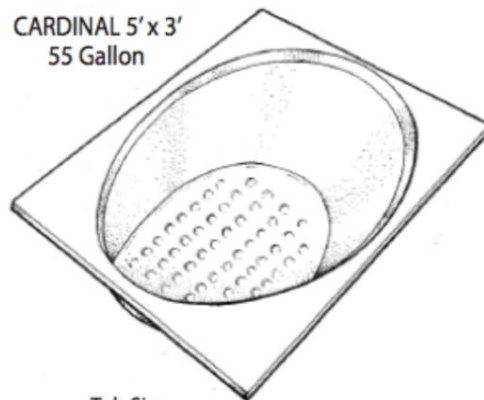
Tub Size 42"W x 72" L x 19"D

CLASSIC 6' x 3'
68 Gallon



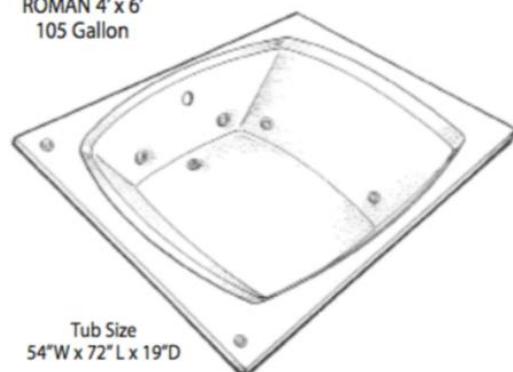
Tub Size 36-1/4"W x 73" L x 19"d

CARDINAL 5' x 3'
55 Gallon



Tub Size
36-1/4"W x 60-1/4" L x 19"D

ROMAN 4' x 6'
105 Gallon



Tub Size
54"W x 72" L x 19"D

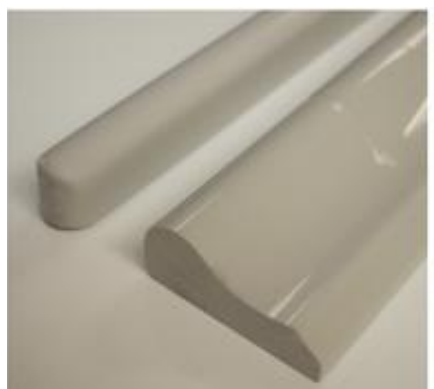
TRIM, MOLDING, & BACKSPLASH

"A" molds come in 10' lengths and all other molds come in 8' lengths.

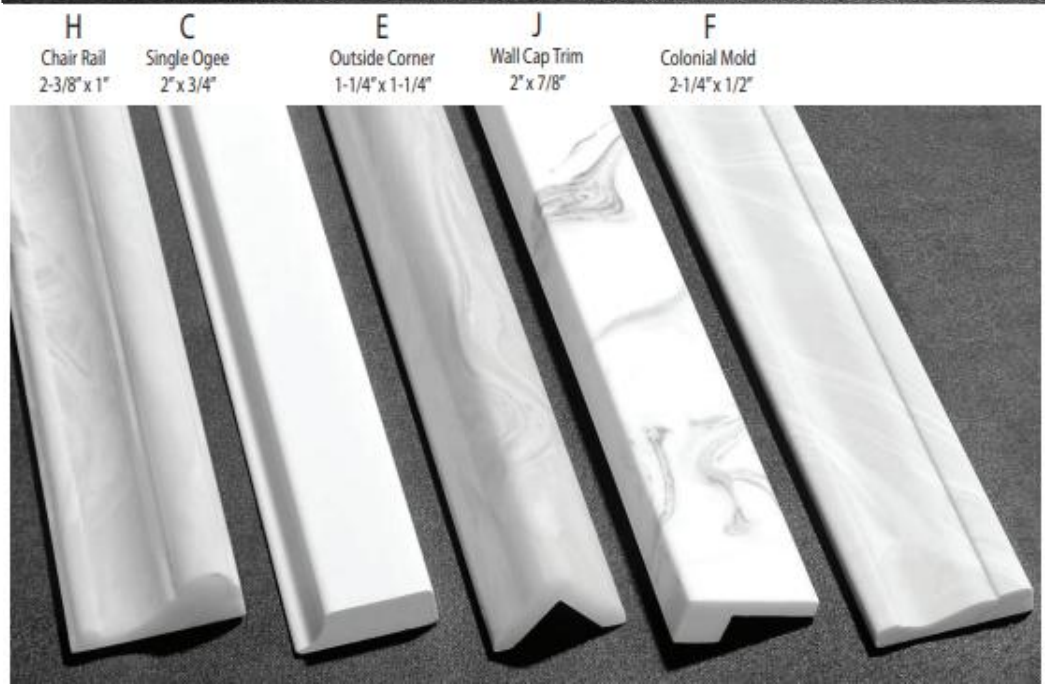
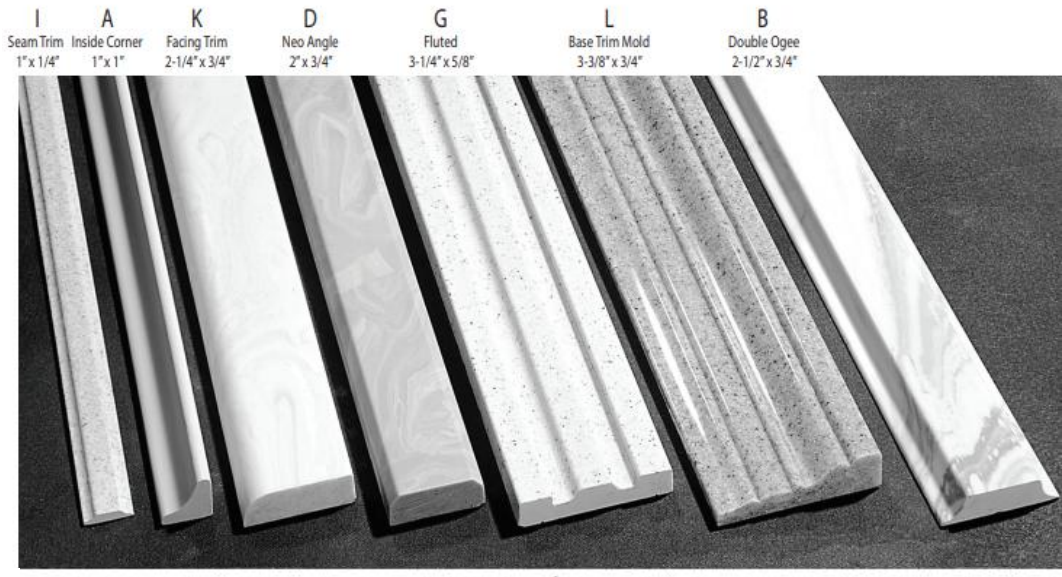
Rope Band
7-1/4" x 96"



Pencil Trim
143-1/2" x 3/4" x 3/4"



Chair Rail
108" x 2-3/8"



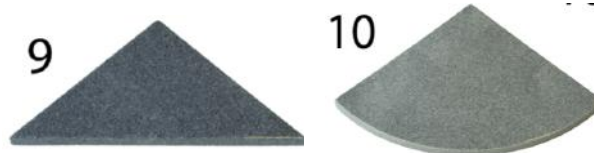
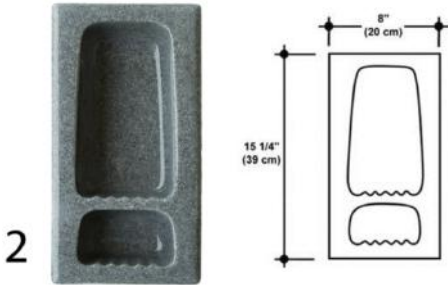
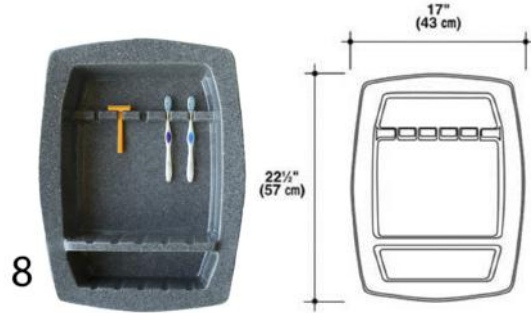
Herringbone Backsplash Full Size 144 x 20



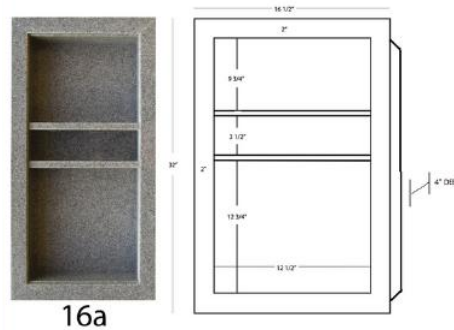
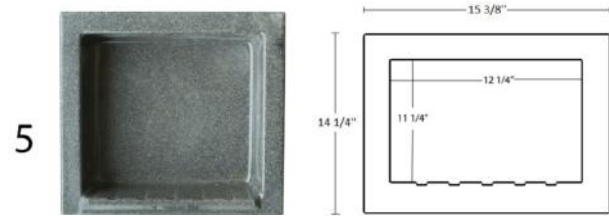
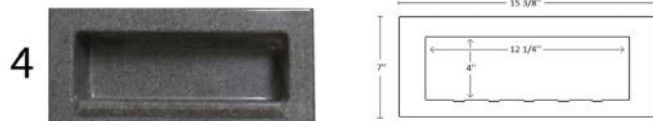
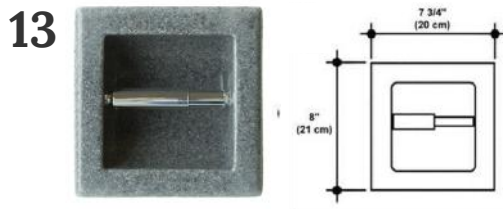
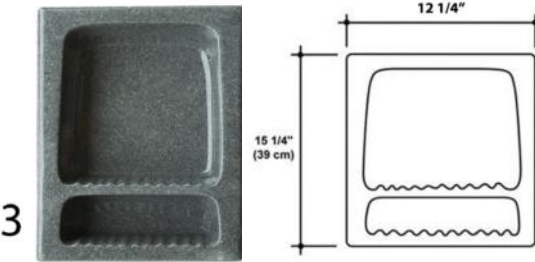
Subway Tile Backsplash Full Size 143 1/2 x 21



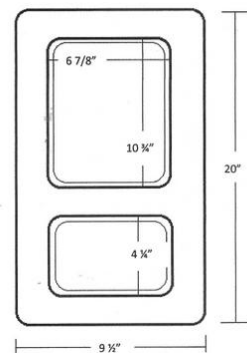
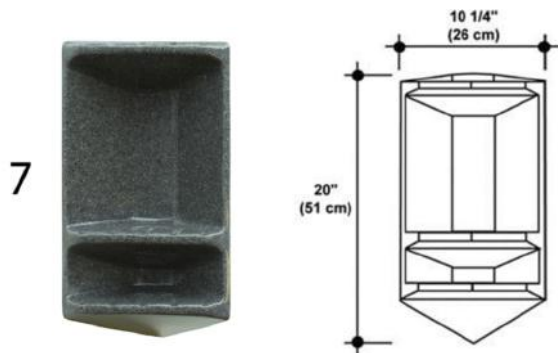
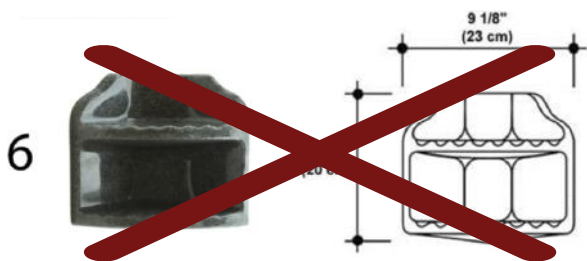
ACCESSORIES



Shelves #9 & #10 come up to 12" x 12".
Please specify size upon ordering.



3/4" shelves can be moved or removed by request for the Grand Daddy Caddy



ACCESSORY OPTIONS - GLOSS OR MATTE FINISH	
1. Single Recessed Soap Dish	
2. Recessed Soap and Shampoo Dish	
3. Double Recessed Soap and Shampoo Dish	
4. Soap Box	
5. Shampoo Box	
6. Small Corner Caddy	DISCONTINUED
7. Corner Soap and Shampoo Caddy	
8. Big Daddy Caddy	
9. Straight Front Corner Shelf ¾" Thick with Support Screws	
10. Curved Front Corner Shelf 1" thick with Support Screws	
11. Flat Corner Seat 1" Thick with Supports	
12. Contoured Corner Seat	
13. Recessed Toilet Paper Holder	
14. Chrome Towel Ring	
15. Towel Bar Ends Clear Acrylic Bar 24" or 30"	
16a. Grand Daddy Caddy - Vertical with Shelves	
16b. Grand Daddy Caddy - Horizontal with no Shelves	<input type="checkbox"/>
17. Duo Recessed Soap and Shampoo Dish	

PLEASE NOTE: COLOR & DESIGN WILL VARY

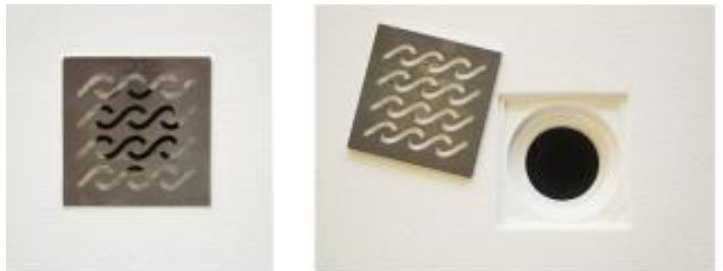
SHOWER ACCESSORIES CAN BE MADE IN ANY MARBLE, ALABASTER, OR IRONSTONE COLOR; AND A SELECT FEW CAN BE MADE IN TYVARIAN. SEE THE TYVARIAN PAGE FOR TYVARIAN OPTIONS.

PREMIUM SHOWER DRAINS

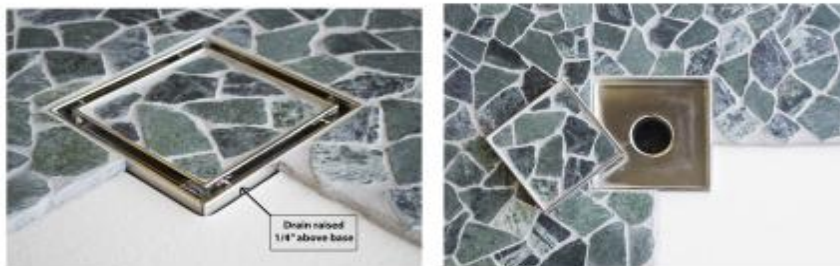
Drain Assemblies are NOT Included, these will need to be custom selected if desired.



Basic Square Drain
5 - 7/8" x 5 - 3/8"



Hawaii Square Drain
5 - 1/2" x 5 - 1/2"



All Stainless Tile Ready Square Drain
5 - 7/8" x 5 - 7/8"



All Stainless Square Drain
5 - 7/8" x 5 - 7/8"

3" SHOWER DRAIN



ONLY AVAILABLE IN SATIN CHAMPAGNE

STANDARD TUB WALL KITS

#1 Standard Tub Surround Kit

- (2) 29" x 60" x 3/8" Back Wall Panels
- (2) 30" x 60" x 3/8" End Wall Panels
- (1) 2" x 60" x 3/8" Batton Strip

#1.5 Standard Tub Surround Kit

- (1) 60 x 60 x 3/8 Back Wall Panel
- (2) 30 x 60 x 3/8 End Wall Panels

#2 Standard Tub Surround Kit

- (2) 29" x 60" x 3/8" Back Wall Panels
- (2) 32" X 60" X 3/8" End Wall Panels
- (1) 2" x 60" x 3/8" Batton Strip

#2.5 Standard Tub Surround Kit

- (1) 60" x 60" x 3/8" Back Wall Panel
- (2) 32" x 60" x 3/8" End Wall Panels

#3 Standard Tub Surround Kit

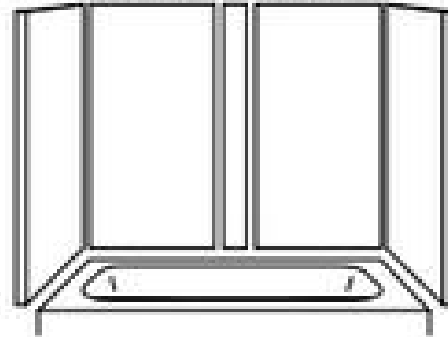
- (2) 29" x 60" x 3/8" Back Wall Panels
- (2) 32" x 60" x 3/8" End Wall Panels
- (1) 2" x 60" x 3/8" Batton Strip
- (2) 60" x 1" x 1" Inside Corner Molding

#3.5 Standard Tub Surround Kit

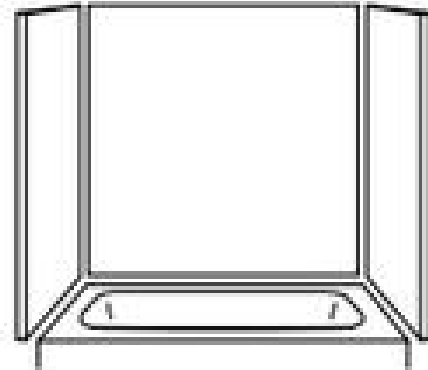
- (1) 60" x 60" x 3/8" Back Wall Panel
- (2) 29" x 60" x 3/8" End Wall Panels
- (2) 60" x 1" x 1" Inside Corner Molding

Kits are available with smooth walls ONLY.

Two-piece Back Wall with Batton and Two End Walls

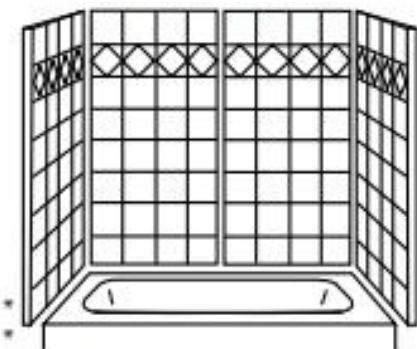


One-piece Back Wall and Two End Walls



8" x 8" Tile Simplicity Tub or Shower Surround Kit

Two-piece Back Wall and Two End Walls

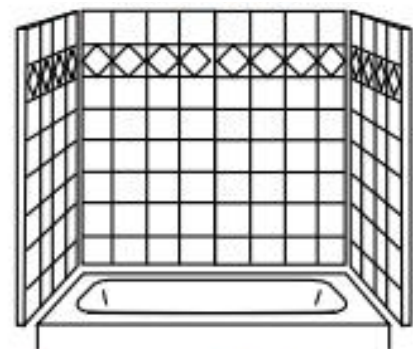


- (2) 32" X 72" X 3/8" Back Wall Panels
- (2) 32" X 72" X 3/8" End Wall Panels



Gloss Finish ONLY

One-piece Back Wall and Two End Walls



- (1) 64" X 72" X 3/8" Back Wall Panel
- (2) 32" X 72" X 3/8" End Wall Panels

PLEASE NOTE: COLOR & DESIGN WILL VARY

STANDARD SHOWER KITS

Shower bases include a molds threshold and side curbs. Kits are available in smooth walls only.

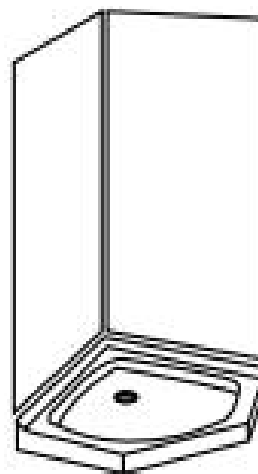
Gloss or Matte finish

#4) Corner Shower Kit - Base and Two Walls

- 4A: (1) 36" x 36" Neo Angle Base
(2) 35 1/2" x 72" x 3/8" Wall Panels

- 4B: (1) 36" x 36" Double Threshold Base
(2) 35 1/2" x 72" x 3/8" Wall Panels

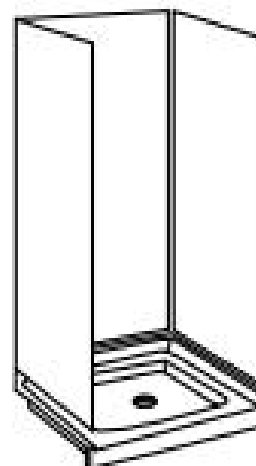
- 4C: (1) 38" x 38" Neo Angle Base
(2) 37 1/2" x 72" x 3/8" Wall Panels



#5) Shower Kit - Base and Three Walls

- 5A: (1) 36" x 36" Base
(1) 35" x 72" x 3/8" Back Wall Panel
(2) 35 1/2" x 72" x 3/8" End Wall Panels

- 5B: (1) 42" x 36" Base
(1) 41" x 72" x 3/8" Rear Wall Panel
(2) 35 1/2" x 72" x 3/8" End Wall Panels

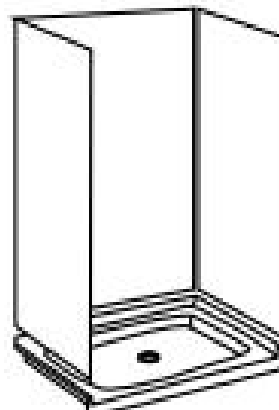


#6) Shower Kit - Base and Three Walls

- 6A: (1) 48" x 36" Base
(1) 47" x 2" x 3/8" Back Wall Panel
(2) 35 1/2" x 72" x 3/8" End Wall Panels

- 6B: (1) 48" x 42" Base
(1) 47" x 72" x 3/8" Back Wall Panel
(2) 41 1/2" x 72" x 3/8" End Wall Panels

- 6C: (1) 48" x 32" Base
(1) 47" x 72" x 3/8" Back Wall Panel
(2) 31 1/2" x 72" x 3/8" End Wall Panels



STANDARD SHOWER KITS

Shower bases include a molds threshold and side curbs. Kits are available in smooth walls only.

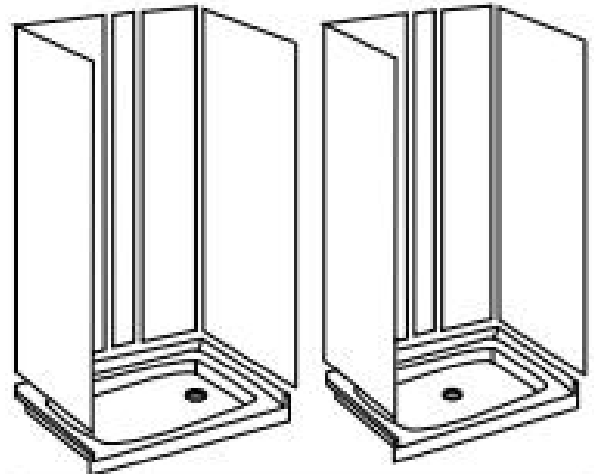
Gloss or Matte finish

#7) Shower Kit - Base and Five Piece Wall Panels

- 7A: (1) 60" x 36" Center drain Base
(2) 29" x 72" x 3/8" Back Wall Panels
(1) 2" x 72" x 3/8" Back Wall Batton Strip
(2) 35 1/2" x 72" x 3/8" End Wall Panels

- 7B: (1) 60" x 32" Center Drain Base
(2) 29" x 72" x 3/8" Back Wall Panels
(1) 2" x 72" x 3/8" Back Wall Batton Strip
(2) 31 1/2" x 72" x 3/8" End Wall Panels

- 7C: (1) 60" x 32" Tub Replacement Base [Left or Right Hand Drain]
(2) 29" x 72" x 3/8" Back Wall Panels
(1) 2" x 72" x 3/8" Back Wall Batton Strip
(2) 31 1/2" x 72" x 3/8" End Wall Panels

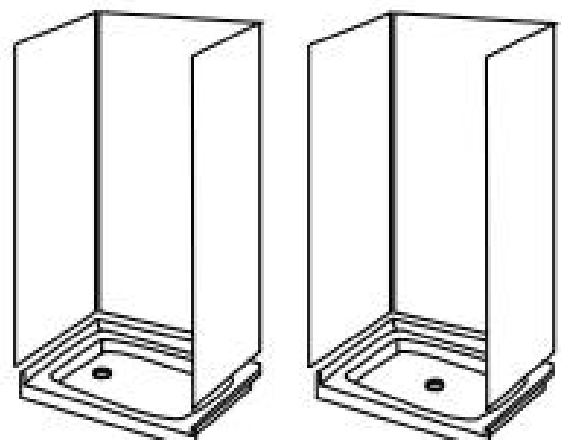


#8) Shower Kit - Base and Three Walls

- 8A: (1) 60" x 36" Center Drain Base
(1) 59" x 72" x 3/8" Back Wall Panel
(2) 35 1/2" x 72" x 3/8" End Wall Panels

- 8B: (1) 60" x 32" Center Drain Base
(1) 59" x 72" x 3/8" Back Wall Panel
(2) 31 1/2" x 72" x 3/8" End Wall Panels

- 8C: (1) 60" x 32" Tub Replacement Base [Left or Right Hand Drain]
(1) 59" x 72" x 3/8" Back Wall Panel
(2) 31 1/2" x 72" x 3/8" End Wall Panels

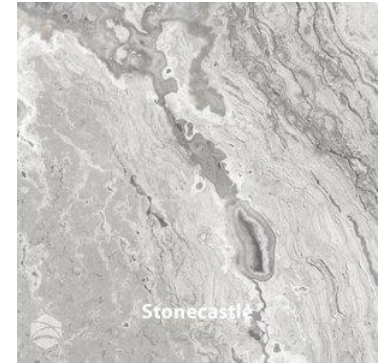


PLEASE NOTE: COLOR & DESIGN WILL VARY

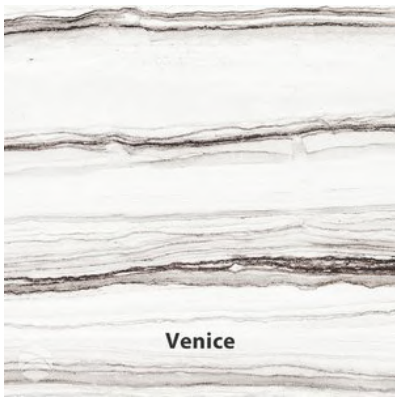
TOP TYVARIAN COLORS



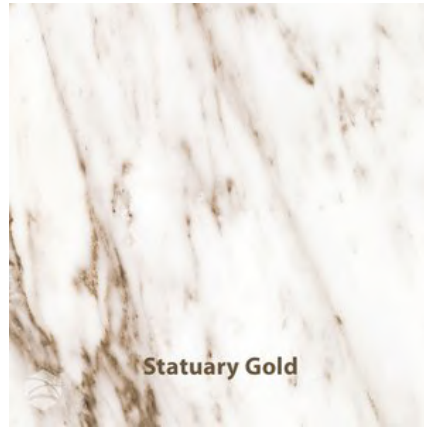
Satin



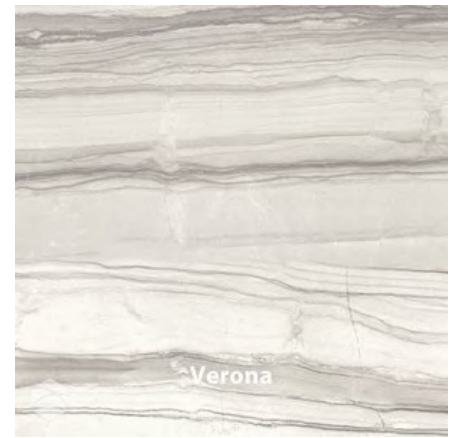
Stonecastle



Venice



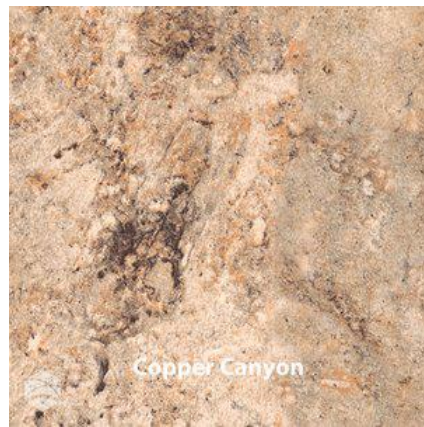
Statuary Gold



Verona



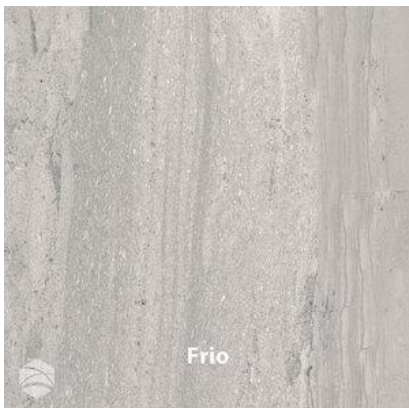
Beach



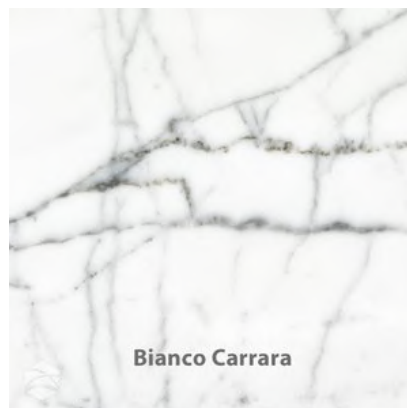
Copper Canyon



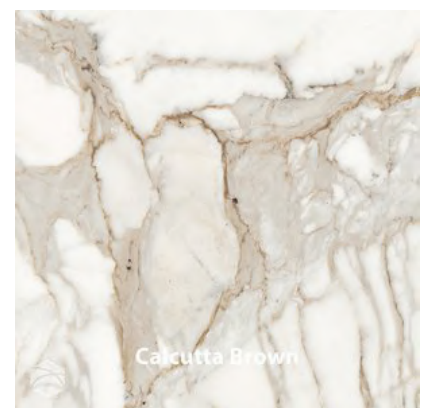
Stratus White



Frio

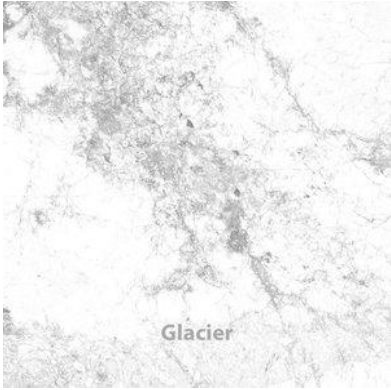


Bianco Carrara

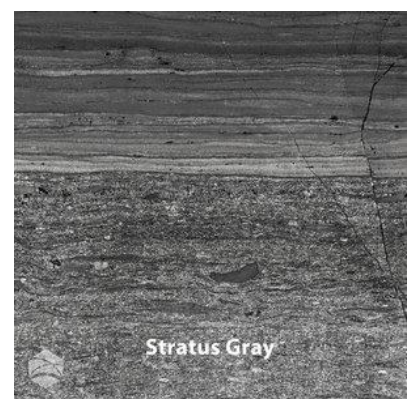
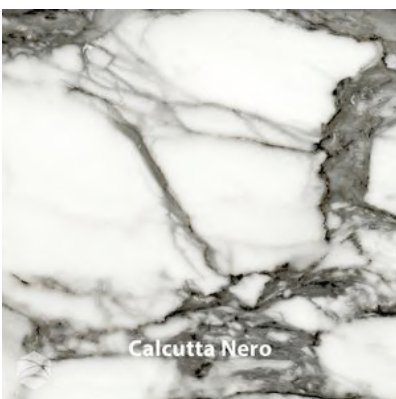
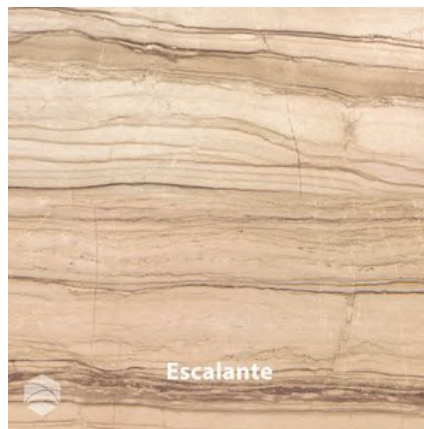
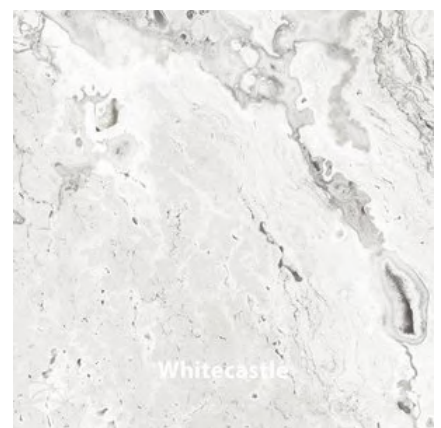
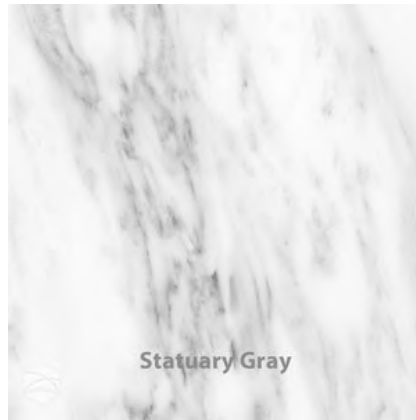
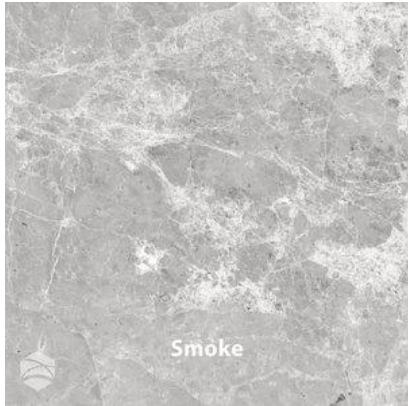


Calcutta Brown

For a complete list of colors, go to: www.tyvarian.com/available-colors-2022



AND.. THERE'S *MORE!*




TYVARIAN



Mixed Pattern Option



Vanity Tops



Reach out to your dealer today! Don't have one? Visit our website to find the closest ones near you!

Showers



Accent Panels

For a complete list of colors, go to: www.tyvarian.com/available-colors-2022

 **Tyvarian**[®]
endless possibilities.™

OPTIONS

Tyvarian shower bases are a great way to complete a look to a shower. Check out our hexagon pattern that can be put over any tyvarian color:



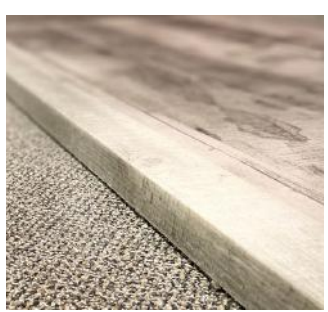
THRESHOLDS



ONE - PIECE THRESHOLD



THREE - PIECE THRESHOLD



LOW BLOCK THRESHOLD

PREMIUM DRAIN OPTIONS

Tyvarian bases come with a 2" standard drain.



The ACO square system will fit over the standard drain assembly



(Bottom of Shower Base)

With this square drain there will need to be an 8"x8" square opening in the sub floor to accept the bottom of the shower base around the drain



ACO Square Shower Drain with Tyvarian Shower Base



The opening will accept a standard shower strainer for a complete seal

ACCESSORIES



CURVED CORNER SHELF



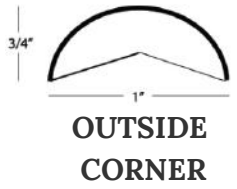
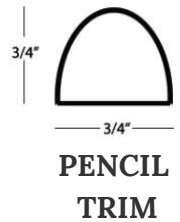
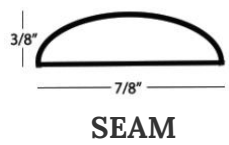
STRAIGHT FRONT CORNER SHELF



12 X 12 FLAT CORNER SEAT W/ SUPPORTS

We offer custom flat stock pieces in 3/8", 3/4", and 1" thick; and can make the piece as large as 140" x 60"

TRIM / MOLD OPTIONS





**CHOOSE TYVARIAN
FOR YOUR MOST
UNIQUE IDEAS**





**DESIGN
WITHOUT
LIMITS,
BECAUSE
CREATIVITY IS
GUARENTEED
HERE.**

SOLID SURFACE & IT'S POSSIBILITIES

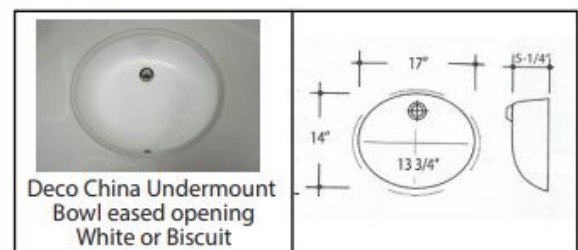
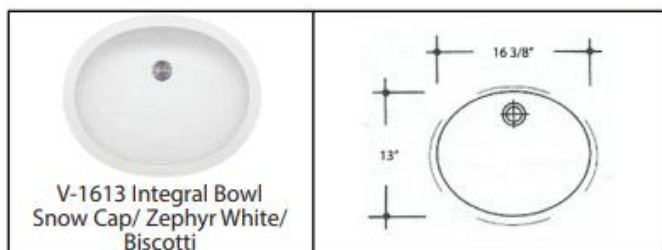
Pricing includes the following:

- 1" thick double round over edge
- Integral backsplash (with a choice of a separate backsplash for an upcharge)
- One regular, integral or undermount bowl with overflow (includes factory installation).

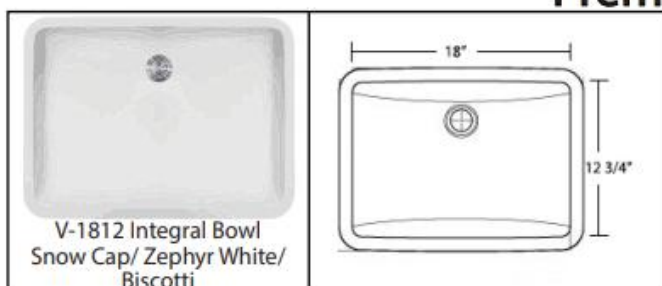
Premium bowls are an upcharge. Please reach out to your dealer for pricing information.



Standard Bowls:



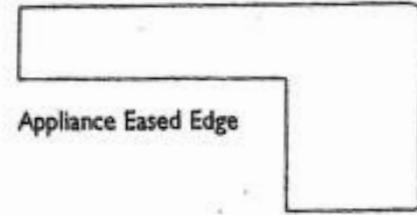
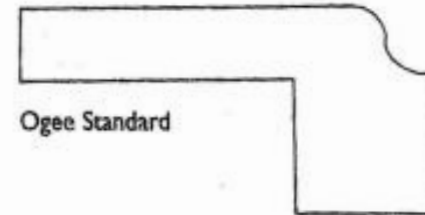
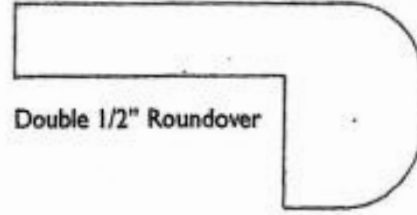
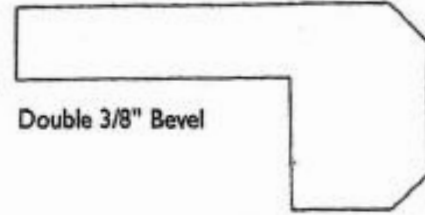
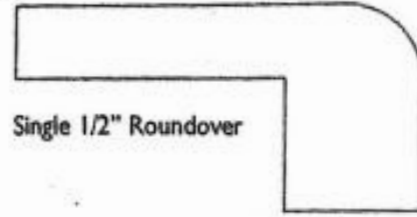
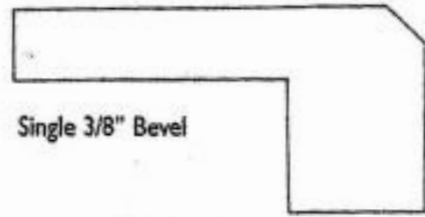
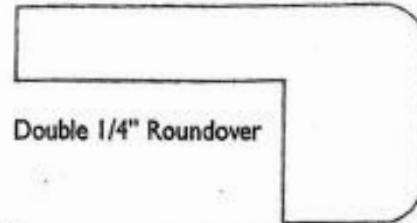
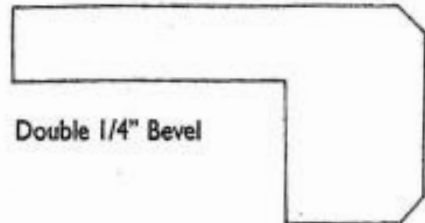
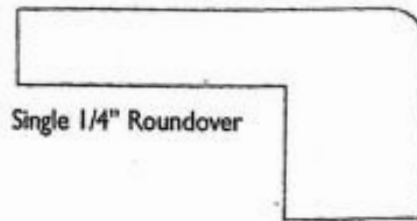
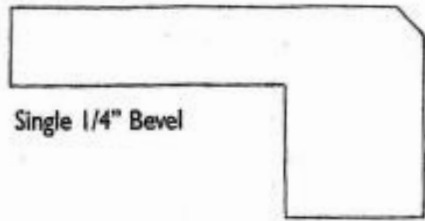
Premium Bowls:



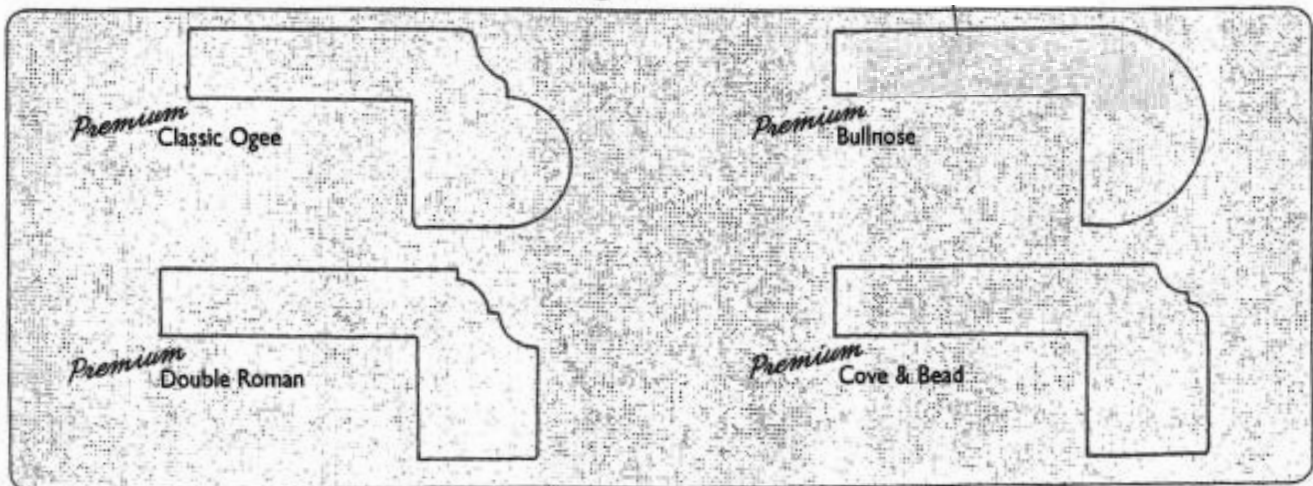


SOLID SURFACE SPECIAL EDGING

Solid Surface *Standard* Edges



Solid Surface *Premium* Edges



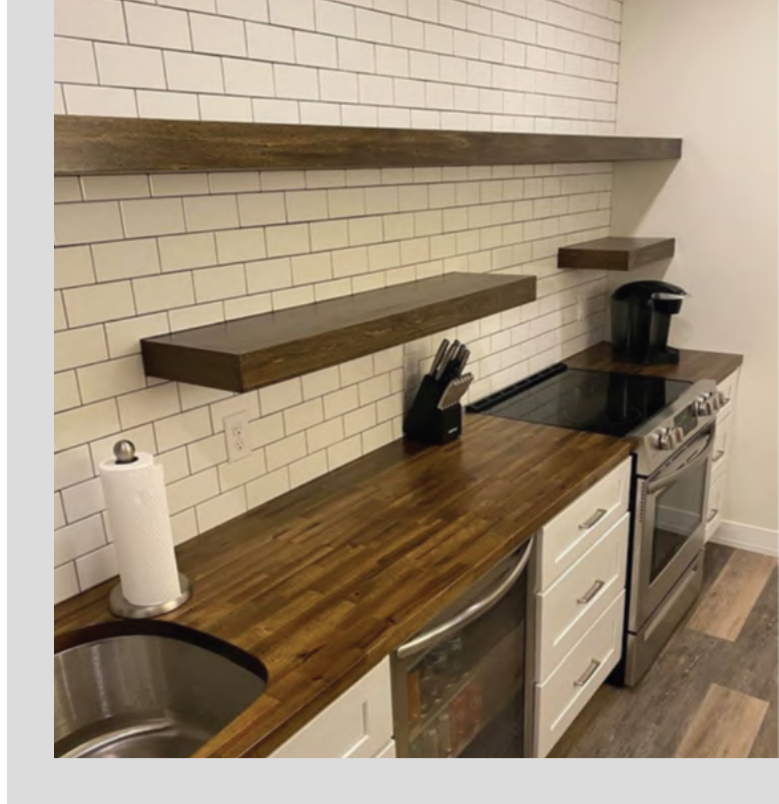


The image features a background of vertical wood grain in various shades of brown. A white hexagonal frame is centered on the page, containing the following text:

GET
COMFORTABLE
IN YOUR
HOME WITH
STYLE

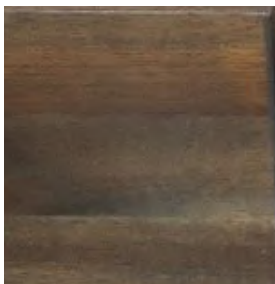


- Tops can be 19 - 25" in depth
- Will have a 1.5" deck with pencil finished edges
- Bowls must be under mount or drop in
- Back splashes are separate, and included in the price

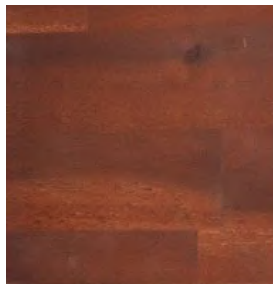


MADERA WOOD

FOUR BEAUTIFUL COLORS IN A SEMI-GLOSS FINISH



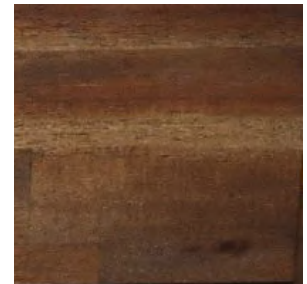
ASHEN



CHERRY



NATURAL



COFFEE

COMMERCIAL PROJECTS



Yes-we do more than just residential work, and yes- we do more than just kitchens and bathrooms! Not sure if we can do it? Reach out! We love creativity!



OUR VENDORS



LAMINATE



SOLID SURFACE



KITCHEN SINKS OFFERED BY AMI



50/50 Stainless Steel



60/40 Stainless Steel



BLANCO
Karran®



American Marble



Have any questions on our product? Reach out! We would love to have the opportunity to assist you in any of your kitchen, bath, or home needs.



American Marble Industries
2700 Atlantic Blvd. NE, Canton, OH, 44705

Orders@amitops.com

Tel: (330) 453 - 8437

Quotes@amitops.com

Fax: (330) 453 - 4913