
Product Guide 2021

LIEBHERR

Refrigeration Specialists



Effective
November 2021



Global Success: The Liebherr Group

Liebherr is a third-generation, family-owned company founded by Hans Liebherr in 1949 with the creation of the first ever tower crane.

With 70 years of success, Liebherr has become synonymous with the equipment needed to build homes and businesses, as well as the appliances within them. One of the world's largest manufacturers of construction machinery, Liebherr has expanded to eleven divisions with a wide array of product ranges, including earthmoving, mining, mobile cranes, tower cranes, concrete technology, maritime cranes, aerospace and transportation systems, gear technology and automation systems, components, hotels and domestic appliances.

The company currently employs over 46,000 persons in more than 130 companies in over 50 countries worldwide. Liebherr Appliances is Europe's largest privately owned manufacturer of fridges and freezers for residential and commercial use, with an annual production of more than 2.1 million units.

Earthmoving



Mining



Mobile Cranes



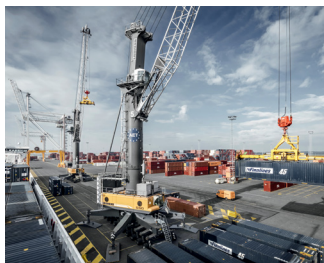
Tower Cranes



Concrete Technology



Maritime Cranes



Aerospace and Transportation Systems



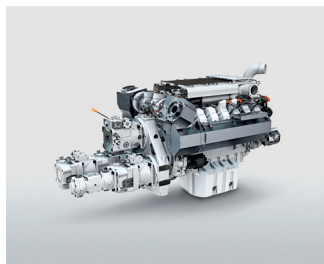
Gear Technology and Automation Systems



Domestic Appliances



Components



Hotels



Lienz



Ochsenhausen



Radinovo



Kluang



Aurangabad



Why Liebherr?



German Quality & Heritage

Liebherr is a world leader in developing premium quality cooling and refrigeration technologies. Our German engineered products are acclaimed for advanced food preservation, design flexibility, maximum energy efficiency and ease of use. Headquartered in Germany since 1954, Liebherr Appliances distributes the widest range of European refrigeration and freezing solutions around the globe. Liebherr continues to research and develop products that match or exceed not only the standards we set for ourselves, but also the quality our loyal customers have come to expect.



Silent Operation

Liebherr appliances are some of the quietest in the industry – as quiet as a library. Variable speed compressors are always operating at optimal capacity, ensuring maximum food preservation with quiet operation. Combined with soft-start technology, these compressors offer quiet operation and minimal electrical surge at start-up. Every new product is tested in our professional sound chambers to ensure that noise levels are kept to a minimum.



ActiveGreen Initiative

Energy efficiency is at the heart of our ActiveGreen commitment, and it is reflected in every aspect of our design and manufacturing process. An industry trailblazer in green manufacturing, Liebherr utilizes progressive practices such as recovering and reutilizing energy to heat buildings, using 100% recyclable packaging, and using purified water to ensure that production is pollution-free, all with the goal of having the least damaging effect on the environment.



Diverse Design Options

Liebherr appliances are designed to inspire awe and integrate seamlessly into your kitchen. Multiple size configurations, installation options, and choice of stainless steel or personalized finishes allow for perfect integration into your dream kitchen. From refrigerators, to wine cabinets, to outdoor appliances, Liebherr Appliances offer a diverse range of refrigeration and freezing solutions for your home.



Better Use of Space

Our innovative food storage features allow for the optimal storing of products, for quick and easy access to your favorite foods while reducing food waste. Divisible glass shelves, interchangeable glass and bottle shelves, FlexSystem, VarioSpace, and gallon storage on the door are just some of the ways in which Liebherr refrigerators fit more cubic feet into your everyday life.



Advanced Food Preservation

With Liebherr, foods are preserved in ideal storage temperatures and combined with perfect air humidity that maximizes their shelf-life and preserves their vitamins, nutrients and flavors. Liebherr's advanced food preservation technologies guarantee the perfect environments for all kinds of foods. BioFresh, SuperCool, SuperFrost and DuoCooling are just a few examples of performance enhancing features that contribute to superior, long-lasting food freshness.

Icon Features

ADA Compliant

ADA compliant, designed to fit under counter heights between 32" and 34".

Ice Maker

Ice Maker automatic with fixed water connection produces perfect half-moon crescent ice cubes and keeps a constant supply on hand.

LED

LED lighting is energy efficient, long-lasting, and maintenance-free. It illuminates the refrigerator to ensure that your foods are visible.

Telescopic Rails

Telescopic rails a self-closing system for drawers ensures easy and convenient handling.

Soft System

SoftSystem integrated into the appliance door, cushions the door closure, thus eliminating slamming, even when the shelves are fully loaded.

Soft-Telescopic

SoftTelescopic a highly practical self-retracting, self-closing feature - makes daily use convenient and secure.

Duo Cooling

DuoCooling independent refrigeration systems provide precise temperature control and superior performance, efficiency and food preservation.

Tip Open

TipOpen technology is the perfect answer for hands-free kitchen designs. Tap lightly and the glass door partially opens.

Bio Fresh

BioFresh technology guarantees the perfect climate for superior, long-lasting freshness.

Bio Cool

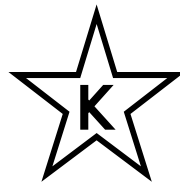
BioCool regulates humidity to keep fruits and vegetables fresher for longer.

Smart Steel

SmartSteel finish significantly reduces the visibility of fingerprints, is easy to clean, and is scratch resistant.



Energy Star certified product, meaning it meets the strict energy efficiency criteria set by the US Environmental Protection Agency and the Department of Energy.



Star-K, certain models are certified as Sabbath compliant by the Star-K organization. Designed to meet the needs of all Kosher users.

Industry Leading Product Warranty



Full Two-Year Warranty

For two (2) years from the date of original purchase, your Liebherr warranty covers all parts and labor to repair or replace any part of the product which proves to be defective in materials or workmanship.



Full Five-Year Warranty

For five (5) years from the date of original purchase, your Liebherr warranty covers all parts and labor to repair or replace any components that prove to be defective in materials or workmanship in the Sealed System. The Sealed System refers to only the compressor, condenser, evaporator, drier and connecting tubing.



Limited 6–12 Year Warranty

From the sixth (6th) through the twelfth (12th) year from the date of original purchase, your Liebherr warranty covers all parts that prove to be defective in materials or workmanship in the Sealed System (parts only).

Table of Contents

Freestanding / Semi Built-in	9
Freestanding / Semi Built In Accessories	16
Ventilation Requirements For Pantry Models	18
Pantry Models	19
Full Integrated	22
Pantry / Fully Integrated Accessories	26
Undercounter Refrigeration	27
Undercounter Freezer	32
Undercounter Wine Cabinets	34
Pantry Wine Cabinets	36
Free Standing Wine Cabinets	39
Wine Cabinets/ Undercounter Accessories	40
Typology	42
Warranty	43

Pricing, Terms and Conditions are subject to change without notice.

Not responsible for errors or omissions.

MAP pricing is pursuant to Liebherr MAP policy guidelines.

Retailers set their own pricing.

Freestanding



CS 1400R

Freestanding/Semi Built-in



CS 1210 Comfort

← 24" → 72"    



CS 1360B Comfort

← 24" → 80"     

Features

Sound rating dB(A) **	42	42
Refrigerator capacity cu.ft. (l)	7.8 (220)	9.4 (267)
Freezer capacity cu.ft. (l)	3.3 (94)	3.3 (94)
Number of shelves / Number of door racks	4 / 4	5 / 4
Number of FrostSafe drawers	3	3
Number of fruit and vegetable drawers	2 with LED lighting	2 with LED lighting
Refrigerator temperature range °F (°C)***	+36°F to +45°F (+2°C to +7°C)	+36°F to +45°F (+2°C to +7°C)
Freezer temperature range °F (°C)	+7°F to -17°F (-14°C to -27°C)	+7°F to -17°F (-14°C to -27°C)
Interior light	LED ceiling lighting	LED ceiling lighting
Ice Maker	No	Yes
Door Hinges	right, reversible	right, reversible
Product dimensions (H/W/D) in. (cm)	71 11/16" / 23 5/8" / 24 13/16" (182/60/63)	79 9/16" / 23 5/8" / 24 13/16" (202/60/63)
Cut out dimensions (H/W/D) in. (cm)	73" / 24 1/16" / 24 1/16" (185.4/61/61)	80" / 24 1/16" / 24 1/16" (203.2/61/61)

Available Accessories

9901555	Side-by-Side Kit	Side-by-Side Kit
9096034		Aftermarket External Water Filter Kit
7440002 / 9880980		Water Filter

Freestanding/Semi Built-in



CS 1321 Premium



CBS 1360 Premium



Features

Sound rating dB(A) **	42	41
Refrigerator capacity cu.ft. (l)	9.4 (267)	8.7 (246)
BioFresh comp. cu.ft. (l)	N/A	3.0 (85)
Freezer capacity cu.ft. (l)	3.3 (94)	3.3 (94)
Number of shelves / Number of door racks	5 / 4	4 / 3
Number of FrostSafe drawers	3 with LED lighting	3 with LED lighting
Number of BioFresh drawers	N/A	2 with LED lighting
Number of fruit and vegetable drawers	1 with LED lighting	N/A
Refrigerator temperature range °F (°C)***	+36°F to +45°F (+2°C to +7°C)	+36°F to +45°F (+2°C to +7°C)
Freezer temperature range °F (°C)	+7°F to -17°F (-14°C to -27°C)	+7°F to -17°F (-14°C to -27°C)
Interior light	LED light column on both sides	LED light column on both sides
Ice Maker	No	Yes
Door Hinges	left, reversible	left, reversible
Product dimensions (H/W/D) in. (cm)	79 9/16" / 23 5/8" / 24 13/16" (202/60/63)	79 9/16" / 23 5/8" / 24 13/16" (202/60/63)
Cut out dimensions (H/W/D) in. (cm)	80" / 24 1/16" / 24 1/16" (203.2/61/61)	80" / 24 1/16" / 24 1/16" (203.2/61/61)
Possible Side-by-Side combination	CS 1321 & CBS 1360	CS 1321 & CBS 1360

Available Accessories

9901555	Side-by-Side Kit	Side-by-Side Kit
9900368	Top ventilation grill 84" cabinets, 48" Side-by-Side	Top ventilation grill 84" cabinets, 48" Side-by-Side
9096034		Aftermarket External water filter
7440002 / 9880980		Water Filter

Freestanding/Semi Built-in



CS 1400R Comfort



CS 1400R-IM/ CS 1401R-IM Comfort



Features

Sound rating dB(A) **	42	42
Refrigerator capacity cu.ft. (l)	9.8 (277)	9.8 (277)
Freezer capacity cu.ft. (l)	3.0 (86)	3.0 (86)
Number of shelves / Number of door racks	4 / 4	4 / 4
Number of FrostSafe drawers	2	3
Number of fruit and vegetable drawers	2 with LED lighting	2 with LED lighting
Refrigerator temperature range °F (°C)***	+36°F to +45°F (+2°C to +7°C)	+36°F to +45°F (+2°C to +7°C)
Freezer temperature range °F (°C)	+7°F to -17°F (-14°C to -27°C)	+7°F to -17°F (-14°C to -27°C)
Interior light	LED ceiling lighting	LED ceiling lighting
Ice Maker	No	Yes
Door Hinges	right, reversible	Left: CS-1401R-IM, Right: CS 1400R-IM
Product dimensions (H/W/D) in. (cm)	66 3/16" / 29 9/16" / 24 13/16" (168/75/63)	66 3/16" / 29 9/16" / 24 13/16" (168/75/63)
Cut out dimensions (H/W/D) in. (cm)	67" / 30" / 24 1/16" (170.1/76.2/61)	67" / 30" / 24 1/16" (170.1/76.2/61)

Available Accessories

9901555	Side-by-Side Kit	Side-by-Side Kit
9901521	Top grill for 67" to 72", Side-by-Side 60"	Top grill for 67" to 72", Side-by-Side 60"
9096034		Aftermarket External Water Filter Kit
7440002 / 9880980		Water Filter

Freestanding/Semi Built-in



CS 1410 Comfort

← 30" → ↑ 74" ↓









CS 1640B Comfort

← 30" → ↑ 80" ↓








Features

Sound rating dB(A) **	42	42
Refrigerator capacity cu.ft. (l)	11.7 (331)	11.7 (331)
Freezer capacity cu.ft. (l)	3.0 (86)	4.3 (121)
Number of shelves / Number of door racks	4 / 4	4 / 4
Number of FrostSafe drawers	2	4
Number of fruit and vegetable drawers	2 with LED lighting	2 with LED lighting
Refrigerator temperature range °F (°C)***	+36°F to +45°F (+2°C to +7°C)	+36°F to +45°F (+2°C to +7°C)
Freezer temperature range °F (°C)	+7°F to -17°F (-14°C to -27°C)	+7°F to -17°F (-14°C to -27°C)
Interior light	LED ceiling lighting	LED ceiling lighting
Ice Maker	No	Yes/ Water Tank No Water Connection
Door Hinges	right, reversible	right, reversible
Product dimensions (H/W/D) in. (cm)	73 1/4" / 29 9/16" / 24 13/16" (186/75/63)	79 9/16" / 29 9/16" / 24 13/16" (202/75/63)
Cut out dimensions (H/W/D) in. (cm)	73 13/16" / 30" / 24 1/16" (187.4/76.2/61)	80" / 30" / 24 1/16" (203.2/76.2/61)

Available Accessories

9901555	Side-by-Side Kit	Side-by-Side Kit
---------	------------------	------------------

Freestanding/Semi Built-in



CBS 1660/ CBS 1661 Premium

CS 2080/CS 2081 PremiumPlus



Features

Sound rating dB(A) **	41	45
Refrigerator capacity cu.ft. (l)	10.7 (303)	13.5 (382)
BioFresh comp. cu.ft. (l)	3.6 (103)	N/A
Freezer capacity cu.ft. (l)	4.3 (121)	6.0 (170)
Number of shelves / Number of door racks	4 / 3	3 / 6
Number of FrostSafe drawers	4 with LED lighting	2 with LED lighting
Number of BioFresh drawers	2 with LED lighting	N/A
Number of fruit and vegetable drawers	N/A	3 with LED lighting
Refrigerator temperature range °F (°C)***	+36°F to +45°F (+2°C to +7°C)	+36°F to +45°F (+2°C to +7°C)
Freezer temperature range °F (°C)	+7°F to -17°F (-14°C to -27°C)	+7°F to -17°F (-14°C to -27°C)
Interior light	LED light column on both sides	LED light column and LED ceiling lighting
Water filter	N/A	yes
Ice Maker	Yes	Yes
Door Hinges	Left: CBS-1661, Right: CBS-1660	Left: CS-2081, Right: CS-2080
Product dimensions (H/W/D) in. (cm)	79 9/16" / 29 9/16" / 24 13/16" (202/75/63)	79 13/16" / 35 7/8" / 24 1/4" (202.7/91/61.5)
Cut out dimensions (H/W/D) in. (cm)	80" / 30" / 24 1/16" (203.2/76.2/61)	80" / 35 7/8" / 24 1/16" (203.2/91/61)

Available Accessories

9900277		Top Ventilation grill 84" cabinets, single unit
9901555	Side-by-Side Kit	
7440002 / 9880980	Water Filter	Water Filter
9096034	Aftermarket External Water Filter Kit	

Freestanding/Semi Built-in



CS 2082 PremiumPlus



CBS 2082 PremiumPlus



Features

Sound rating dB(A) **	44	44
Refrigerator capacity cu.ft. (l)	13.5 (382)	12.8 (365)
BioFresh comp. cu.ft. (l)	N/A	2.5 (69)
Freezer capacity cu.ft. (l)	6.0 (170)	6.0 (170)
Number of shelves / Number of door racks	3 / 6	4 / 6
Number of FrostSafe drawers	2 with LED lighting	2 with LED lighting
Number of BioFresh drawers	N/A	2 with LED lighting
Number of fruit and vegetable drawers	3 with LED lighting	N/A
Refrigerator temperature range °F (°C)***	+36°F to +45°F (+2°C to +7°C)	+36°F to +45°F (+2°C to +7°C)
Freezer temperature range °F (°C)	+7°F to -17°F (-14°C to -27°C)	+7°F to -17°F (-14°C to -27°C)
Interior light	LED light column and LED ceiling lighting	LED light column and LED ceiling lighting
Water filter	Yes	Yes
Ice Maker	Yes	Yes
Door Hinges	left/right	left/right
Product dimensions (H/W/D) in. (cm)	80 5/16" / 35 7/8" / 24 1/4" (203.9/91/61.5)	80 5/16" / 35 7/8" / 24 1/4" (203.9/91/61.5)
Cut out dimensions (H/W/D) in. (cm)	80 9/16" / 36 1/16" / 24 1/16" (204.5/91.5/61)	80 9/16" / 36 1/16" / 24 1/16" (204.5/91.5/61)

Available Accessories

9900199	Top ventilation grill 84" cabinets, single unit	Top ventilation grill 84" cabinets, single unit
7440002 / 9880980	Water Filter	Water Filter

Free Standing Semi-Built In Accessories

Category	Models	Accessory
Side By Side Kits	Side by Side kit (CS 1210, CS 1360B, CS 1321, CBS 1360, CS 1400R, CS 1400R-IM, CS 1401R-IM, CS 1410, CS 1640B, CBS 1660, CBS 1661)	9901555
Top Ventilation Grills	Top grill for 67" to 72", Side-by-Side 60" (CS 1400R, CS 1400R-IM, CS 1401R-IM)	9901521
	Top ventilation grill 84" cabinets, 48" Side-by-Side (CS 1321, CBS 1360)	9900368
	Top ventilation grill 84" cabinets, single unit (CS 2080, CS 2081)	9900277
	Top ventilation grill 84" cabinets, single unit (CS 2082, CBS 2082)	9900199
After market external water filter	After market external water filter (CS 1360B, CBS 1360, CS 1400R-IM, CS 1401R-IM, CBS 1660, CBS 1661)	9096034
Water Filter	Water Filter (CS 1360B, CBS 1360, CS 1400R-IM, CS 1401R-IM, CBS 1660, CBS 1661, CS 2080, CS 2081, CS 2082, CBS 2082)	7440002 / 9880980

Fully Integrated and Pantry Models



Ventilation Requirements for Pantry Models

Ventilation Requirements

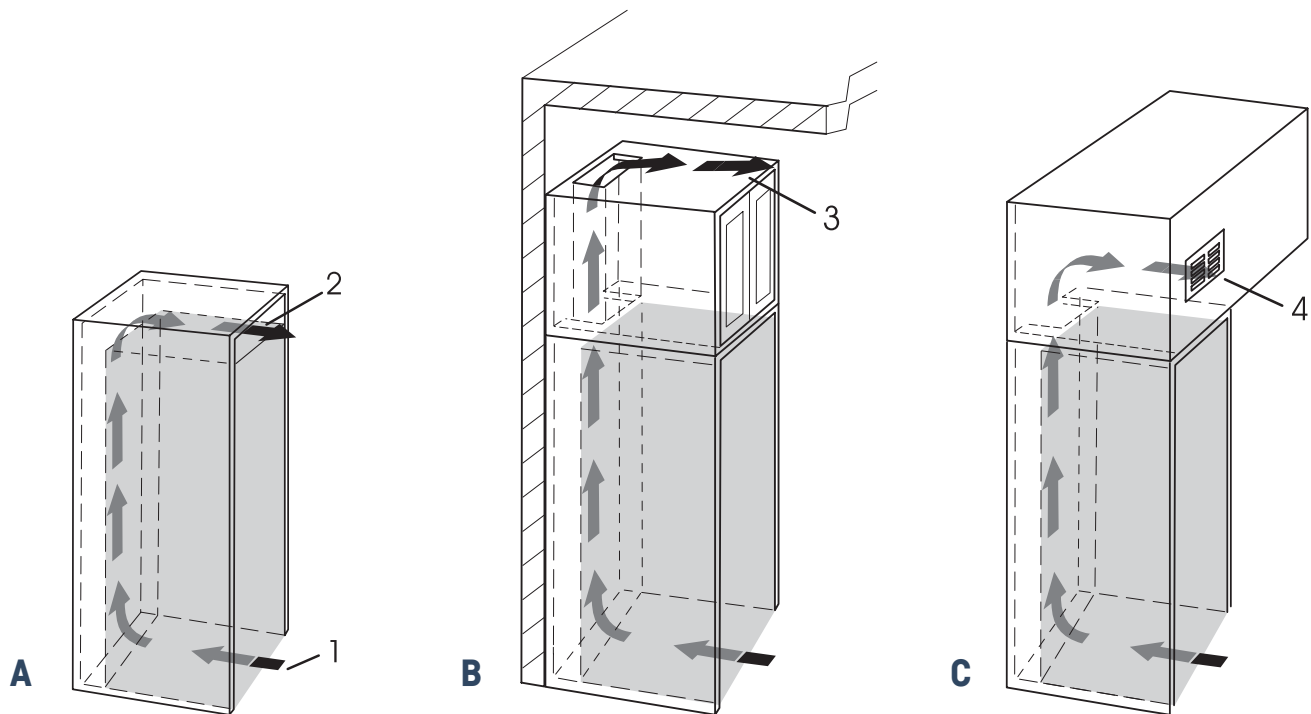
This is a fully integrated refrigerator-freezer which means that it is fully enclosed by a kitchen cabinet. This type of cabinet must be carefully constructed using the correct dimensions, and it must provide suitable ventilation to ensure proper appliance operation.

Kitchen Cabinet Airflow Creates Near Silent Operation

The following ventilation dimensions must be observed: There must be a ventilation space at least 31 in. (200 cm) at the airflow inlet (1) and at the airflow outlet (2).

The top ventilation space can be directed in one of the following ways:

- Directly over the appliance (2) with a custom made vent.
- Above the cabinet and below the ceiling (3).



Applies to Models:

HC 1030

HC 1050B

HCB 1060

HRB 1120

HF 861

HW4 800

HWgb 8300

HWgb 5100

HW 8000

Pantry Models



HC 1030 Comfort



HC 1050B Comfort



Features

Sound rating dB(A) **	38	44
Refrigerator capacity cu.ft. (l)	7.0 (199)	12.8 (365)
Freezer capacity cu.ft. (l)	2.4 (68)	6.0 (170)
Number of shelves / Number of door racks	5/3	4 / 6
Number of FrostSafe drawers	3	2 with LED lighting
Number of BioCool drawers	1	2 with LED lighting
Refrigerator temperature range °F (°C)***	+34 °F to +45 °F (+1 °C to +7 °C)	+36°F to +45°F (+2°C to +7°C)
Freezer temperature range °F (°C)	+5 °F to -15 °F (-15 °C to -26 °C)	+7°F to -17°F (-14°C to -27°C)
Interior light	LED lighting	LED light column and LED ceiling lighting
Ice Maker	No	Yes
Door Hinges	right, reversible	right, reversible
Product dimensions (H/W/D) in. (cm)	69 11/16" +11/16" / 22 1/16" / 21 7/16" (177 +1.6/55.9/54.4)	69 11/16"+11/16" / 22 1/16" / 21 7/16" (177 +1.6/55.9/54.4)
Cut out dimensions (H/W/D) in. (cm)	69 13/16" -70 7/16" / 22 1/16"-22 13/16" / 21 11/16" (177.2-178 8/56-57.8/55)	69 13/16" -70 7/16" / 22 1/16"-22 13/16" / 21 11/16" (177.2-178 8/56-57.8/55)

Available Accessories

9096214	Door Stopper 90°	Door Stopper 90°
---------	------------------	------------------

Estimated energy cost will depend on utility rates and use. Estimated energy cost based on a national average electricity cost of 12 cents per kWh. Noise output – according to EN 60704-3. BioFresh bins temperatures 32°F (0°C).

Pantry Models



HCB 1060 Premium



Features

Sound rating dB(A) **	38
Refrigerator capacity cu.ft. (l)	8.7(179)
Freezer capacity cu.ft. (l)	2.4 (68)
Number of shelves / Number of door racks	4/2
Number of FrostSafe drawers	4 with LED lighting
Number of BioCool drawers	2
Refrigerator temperature range °F (°C)***	+34 °F to +45 °F (+1 °C to +7 °C) +37 °F to +48 °F
Freezer temperature range °F (°C)	+7 °F to -15 °F (-14 °C to -26 °C)
Interior light	LED lighting
Ice Maker	Yes
Door Hinges	right, reversible
Product dimensions (H/W/D) in. (cm)	69 11/16"+11 1/16"/22"/21 7/16" (177+1.6/55.9/54.4)
Cut out dimensions (H/W/D) in. (cm)	69 3/4"-70 3/8"/22"-22 3/4"/22" (177.2-178.8/56-57.8/56)

Available Accessories

9096214	Door Stopper 90°
---------	------------------

Pantry Models



HF 861 Premium



HRB 1120 Premium



Features

Sound rating dB(A) **	38	33
Refrigerator capacity cu.ft. (l)	N/A	10.9 (308)
Freezer capacity cu.ft. (l)	7.8 (220)	0.6 (16)
BioFresh comp. cu.ft. (l)	N/A	3.2 (92)
Number of shelves / Number of door racks	N/A	8 / 5
Number of FrostSafe drawers / BioCool drawers	9/0	0/3 with LED lighting
Number of fruit and vegetable drawers	N/A	1
Refrigerator temperature range °F (°C)	N/A	+37°F to +48°F (+3°C to +9°C)
Freezer temperature range °F (°C)	+7°F to -18°F (-14°C to -28°C)	N/A
Interior light	LED lighting	LED light column on both sides
Ice Maker	Yes	N/A
Door Hinges	left, reversible	right, reversible
Product dimensions (H/W/D) in. (cm)	69 11/16"+11/16" / 22 1/16" / 21 7/16" (177+1.6/55.9/54.4)	69 11/16" + 11/16" / 22 1/16" / 21 7/16" (177+1.6/55.6/54.4)
Cut out dimensions (H/W/D) in. (cm) ****	69 13/16"-70 7/16" / 22 1/16"-22 13/16" / 21 11/16" (177.2-178.8/56-57.8/55)	69 13/16" -70 7/16" / 22 1/16" -22 13/16" / 21 11/16" (177.2-178.8/56-57.8/55)
Possible Side-by-Side Combination	HF 861 & HRB 1120 / Possible trio HF 861 & HW 8000 & HRB 1120	HF 861 & HRB 1120 / Possible trio HF 861 & HW 8000 & HRB 1120

Available Accessories

9096212	Door Stopper 90°	Door Stopper 90°
9902007	Stainless steel panel with handle	Stainless steel panel with handle
7440002 / 9880980	Water Filter	

Fully Integrated



HC 1550/1551 Premium



HC 1540/1541 Premium



Features

Sound rating dB(A) **	42	42
Refrigerator capacity cu.ft. (l)	6.9 (196)	9.8 (278)
Freezer capacity cu.ft. (l)	2.4 (68)	4.3 (122)
BioFresh comp. cu.ft. (l)	N/A	N/A
Number of shelves / Number of door racks	3 / 3	3 / 3
Number of freezer drawers	2	2
Number of BioFresh drawers	N/A	N/A
Number of fruit and vegetable drawers	2	2
Refrigerator temperature range °F (°C)	+34°F to +45°F (+1°C to +7°C)	+36°F to +43°F (+2°C to +6°C)
Freezer temperature range °F (°C)	+5°F to -15°F (-15°C to -26°C)	+7°F to -17°F (-14°C to -27°C)
Interior light	LED lighting	LED lighting
Water Filter	Yes	Yes
Ice Maker	Yes	Yes/Water Tank No Water Connection
Door Hinges	Left: HC 1551, Right: HC 1550	Left: HC 1541, Right: HC 1540
Product dimensions (H/W/D) in. (cm)	79 13/16" / 29 13/16" / 24 1/16" (202.7/75.7/61)	79 13/16" / 29 13/16" / 24 1/16" (202.7/75.7/61)
Cut out dimensions (H/W/D) in. (cm)	80"-81 5/8" / 30" / 24 1/16" (203.2-207.2/76.2/61)	80"-81 5/8" / 30" / 24 1/16" (203.2-207.2/76.2/61)

Available Accessories

9900283	Stainless steel panels freezers	Stainless steel panels freezers
9900287	Stainless steel panels refrigerator 80"	Stainless steel panels refrigerator 80"
9900285	Stainless steel panels refrigerator 84"	Stainless steel panels refrigerator 84"
9900279	Stainless steel round handles kit	Stainless steel round handles kit
9900281	Brushed aluminum square handle kit	Brushed aluminum square handle kit
9900219		Side by Side Kit

Fully Integrated



HCB 1580/1581 PremiumPlus



Features

Sound rating dB(A) **	42
Refrigerator capacity cu.ft. (l)	9.8 (278)
Freezer capacity cu.ft. (l)	4.3 (122)
Number of shelves / Number of door racks	4 / 3
BioFresh comp. cu.ft. (l)	2.1 (66)
Number of freezer drawers	2 with LED lighting
Number of BioFresh drawers	2 with LED lighting
Number of fruit and vegetable drawers	N/A
Refrigerator temperature range °F (°C)***	+37°F to +45°F (+3°C to +7°C)
Freezer temperature range °F (°C)	+7°F to -17°F (-14°C to -27°C)
Interior light	LED light column on both sides
Water Filter	Yes
Ice Maker	Yes
Door Hinges	Left: HCB 1581 / Right: HC 1580
Product dimensions (H/W/D) in. (cm)	79 11/16" / 29 13/16" / 24 1/16" (202.4/75.7/61)
Cut out dimensions (H/W/D) in. (cm)	80"-81 5/8" / 30" / 24 1/16" (203.2-207.2/76.2/61)

Available Accessories

9900283	Stainless steel panels freezers
9900287	Stainless steel panels refrigerator 80"
9900285	Stainless steel panels refrigerator 84"
9900279	Stainless steel round handles
9900281	Brushed aluminum square handle
9900219	Side by Side Kit

Fully Integrated



HC 2080/HC-2081 Premium



HCB 2080/HCB-2081 Premium



Features

Sound rating dB(A) **	44	43
Refrigerator capacity cu.ft. (l)	13.5 (382)	12.9 (365)
Freezer capacity cu.ft. (l)	6.0 (170)	6.0 (170)
BioFresh comp. cu.ft. (l)	N/A	2.4 (69)
Number of shelves / Number of door racks	3 / 7	4 / 6
Number of freezer drawers	2 with LED lighting	2 with LED lighting
Number of BioFresh drawers	N/A	2 with LED lighting
Number of fruit and vegetable drawers	3 with LED lighting	2 BioFresh drawers
Refrigerator temperature range °F (°C)	+36°F to +43°F (+2°C to +6°C)	+37°F to +45°F (+3°C to +7°C)
Freezer temperature range °F (°C)	+7°F to -17°F (-14°C to -27°C)	+7°F to -17°F (-14°C to -27°C)
Interior light	LED light column and LED ceiling lighting	LED light column and LED ceiling lighting
Water Filter	Yes	Yes
Ice Maker	Yes	Yes
Door Hinges	Left: HC-2081, Right: HC-2080	Left: HCB-2081, Right: HCB-2080
Product dimensions (H/W/D) in. (cm)	79 13/16" / 35 7/8" / 24 1/16" (202.7/91/61)	79 13/16" / 35 7/8" / 24 1/16" (202.7/91/61)
Cut out dimensions (H/W/D) in. (cm)	80"-81 5/8" / 36 1/16" / 24 5/8" (203.2-207.2/91.5/62.5)	80"-81 5/8" / 36 1/16" / 24 5/8" (203.2-207.2/91.5/62.5)

Available Accessories

9900323	Stainless steel panels freezers	Stainless steel panels freezers
9900333	Stainless steel panels refrigerator 80"	Stainless steel panels refrigerator 80"
9900331	Stainless steel panels refrigerator 84"	Stainless steel panels refrigerator 84"
9900327	Stainless steel round handles	Stainless steel round handles
9900329	Brushed aluminum square handle	
9900183	Side-by-Side Kit	Side-by-Side Kit
7440002 / 9880980	Water Filter	Water Filter

Fully Integrated



HC 2082 PremiumPlus



HCB 2082 PremiumPlus



Features

Sound rating dB(A) **	44	43
Refrigerator capacity cu.ft. (l)	13.5 (382)	12.9 (365)
Freezer capacity cu.ft. (l)	6.0 (170)	6.0 (170)
BioFresh comp. cu.ft. (l)	N/A	2.4 (69)
Number of shelves / Number of door racks	3/8	4 / 6
Number of freezer drawers	2 with LED lighting	2 with LED lighting
Number of BioFresh drawers	2 with LED lighting	2 with LED lighting
Number of fruit and vegetable drawers	3 with LED lighting	2 BioFresh drawers
Refrigerator temperature range °F (°C)	+36°F to +43°F (+2°C to +6°C)	+37°F to +45°F (+3°C to +7°C)
Freezer temperature range °F (°C)	+7°F to -17°F (-14°C to -27°C)	+7°F to -17°F (-14°C to -27°C)
Interior light	LED light column and LED ceiling lighting	LED light column and LED ceiling lighting
Ice Maker	Yes	Yes
Water Filter	Yes	Yes
Door Hinges	left, right	left, right
Product dimensions (H/W/D) in. (cm)	79 13/16" / 36" / 24 1/16" (202.7/91.4/61)	79 13/16" / 35 7/8" / 24 1/16" (202.7/91/61)
Cut out dimensions (H/W/D) in. (cm) ****	80"/- 81 5/8" / 36" / 24 5/8" (203.2-207.2/91.44/62.5)	80"-81 5/8" / 36 1/16" / 24 5/8" (203.2-207.2/91.5/62.5)

Available Accessories

9900323	Stainless steel panels freezers	Stainless steel panels freezers
9900337	Stainless steel panels refrigerator 80"	Stainless steel panels refrigerator 80"
9900335	Stainless steel panels refrigerator 84"	Stainless steel panels refrigerator 84"
9900339	Stainless steel round handles	Stainless steel round handles
9900513	Brushed aluminum square handle	
7440002 / 9880980	Water Filter	Water Filter

Fully Integrated Accessories

Category	Models	Accessory
Side By Side Kits	Side-by-Side kit (HC 1540, HC 1541, HCB 1580, HCB 1581)	9900219
	Side-by-Side kit (HC 2080, HC 2081, HCB 2080, HCB 2081)	9900183
Stainless Steel Panels	Stainless steel panels freezers (HC 1550, HC 1540, HC 1541, HCB 1580, HCB 1581)	9900283
	Stainless steel panels freezers (HC 2080, HC 2081, HCB 2080, HCB 2081, HC 2082, HCB 2082)	9900323
	Stainless steel panels refrigerator 80" (HC 1550, HC 1540, HC 1541, HCB 1580, HCB 1581)	9900287
	Stainless steel panels refrigerator 80" (HC 2080, HC 2081, HCB 2080, HCB 2081)	9900333
	Stainless steel panels refrigerator 80" (HC 2082, HCB 2082)	9900337
	Stainless steel panels refrigerator 84" (HC 1550, HC 1540, HC 1541, HCB 1580, HCB 1581)	9900285
	Stainless steel panels refrigerator 84" (HC 2080, HC 2081, HCB 2080, HCB 2081)	9900331
	Stainless steel panels refrigerator 84" (HC 2082, HCB 2082)	9900335
	Stainless Steel panel with handle (HRB 1120, HF 861)	9902007
	Handles	Stainless Steel Round Handles (HC 1550, HC 1540, HC 1541, HC 1580, HCB 1581)
Stainless Steel Round Handles (HC 2080, HC 2081, HCB 2080, HCB 2081)		9900327
Stainless Steel Round Handles (HC 2082, HCB 2082)		9900339
Brushed aluminum square handle (HC 1550, HC 1540, HC 1541, HCB 1580, HCB 1581)		9900281
Brushed aluminum square handle (HC 2080, HC 2081, HCB 2080, HCB 2081)		9900329
Brushed aluminum square handle (HC 2082, HCB 2082)		9900513
Door Stop	Door Stopper 90 (HC 1030, HC 1050B, HC 1070, HC 1080, HCB 1060)	9096214
	Hinge Pin For Door Limitation (HC 1550, HC 1540, HC 1541, HCB 1580, HCB 1581, HC 2080, HC 2081, HCB 2080, HCB 2081)	9096699
	Hinge Pin for Door Limitation (HRB 1120, HF 861)	9096212
Water Filter	Water Filter (HF 861, HC 1550, HC 1551, HCB 1580, HCB 1581, HC 2080, HC 2081, HCB 2080, HCB 2081, HC 2082, HCB 2082)	7440002 / 9880980

Undercounter



Undercounter Refrigeration



RO 510 (Outdoor)

← 24" → 32-34" LED Telescopic Rails ADA Compliant 



RU 510 GrandCru

← 24" → 32-34" LED Telescopic Rails ADA Compliant 

Features

Sound rating dB(A) **	39	39
Total capacity cu.ft. (l)	3.7 (104)	3.8 (108)
Number of shelves	4	4
Shelves on telescopic rails	3	3
Shelf material	glass	glass
Temperature range °F (°C)	+36°F to +68°F (+2°C to +20°C)	+36°F to +68°F (+2°C to +20°C)
Temperature zones	1	1
Interior light	LED interior lighting	LED lighting permanently on
Door alarm	acoustic	acoustic
Safety thermostat	Yes	Yes
Activated Charcoal filter	Yes	Yes
Door type / Integrated lock	full door / yes	glass door with stainless steel frame / yes
Door Hinges	right, reversible	right, reversible
Product dimensions (H/W/D) in. (cm)	32 1/4" / 23 9/16" / 22 3/4" (81.8/59.7/57.7)	32 1/4" / 23 9/16" / 22 3/4" (81.8/59.7/57.7)
Cut out dimensions (H/W/D) in. (cm)	32 5/16"-34 5/16" / 23 5/8" / 21 11/16" (82-87/60/55)	32 5/16"-34 5/16" / 23 5/8" / 21 11/16" (82-87/60/55)

Available Accessories

9902272		Side-by-Side kit
9590131	Under-counter Overlay Kit	

Undercounter Refrigeration



UPR 513 Premium



Features

Sound rating dB(A) **	37
Total capacity cu.ft. (l)	4.4 (124)
Number of shelves	2
Number of fruit and vegetable drawers	1
Temperature range °F (°C) ***	+34°F to +48°F (+1°C to +9°C)
Interior light	LED lighting
Door alarm	N/A
Door type	Panel ready or stainless steel panel as accessory
SoftSystem	Yes
Door Hinges	pullout
Product dimensions (H/W/D) in. (cm)	32 5/16" +2 / 23 9/16" / 21 11/16" (81.95+5/59.7/55)
Cut out dimensions (H/W/D) in. (cm)	32 5/16"-34 11/16" / 23 5/8" / 21 11/16" (82-88/60/55)

Available Accessories

9901561	Brushed aluminum square handle
9902833	SS panel with pre-drilled holes horizontal handle

Undercounter Refrigeration



UR 500 Premium



Features

Sound rating dB(A) **	37
Refrigerator capacity cu.ft. (l)	4.8 (136)
BioFresh comp. cu.ft. (l)	N/A
Number of shelves / Number of door racks	3 / 2
Number of BioFresh drawers	N/A
Number of fruit and vegetable drawers	1
Refrigerator temperature range °F (°C) ***	+36°F to +48°F (+2°C to +9°C)
Interior light	LED lighting
Door alarm	visual and acoustic
Gallon storage	yes
Door type	panel ready or stainless steel panel as accessory
SoftSystem	yes
Door Hinges	right, reversible
Product dimensions (H/W/D) in. (cm)	32 5/16"-34 11/16" / 23 9/16" / 21 11/16" (82-88/59.7/55)
Cut out dimensions (H/W/D) in. (cm)	32 5/16"-34 11/16" / 23 5/8" / 21 11/16" (82-88/60/55)

Available Accessories

9901561	Brushed aluminum square handle
9902830	SS Panel with pre-drilled holes vertical handles

Undercounter Refrigeration



UB 501 Premium



Features

Sound rating dB(A) **	38
Refrigerator capacity cu.ft. (l)	2.8 (80)
BioFresh comp. cu.ft. (l)	2.8 (80)
Number of shelves / Number of door racks	2 / -
Number of BioFresh drawers	3 with LED lighting
Number of fruit and vegetable drawers	N/A
Refrigerator temperature range °F (°C) ***	+32°F (0°C)
Interior light	N/A
Door alarm	visual and acoustic
Gallon storage	yes
Door type	panel ready or stainless steel panel as accessory
SoftSystem	yes
Door Hinges	left, reversible
Product dimensions (H/W/D) in. (cm)	32 5/16"-34 11/16" / 23 9/16" / 21 11/16" (82-88/59.7/55)
Cut out dimensions (H/W/D) in. (cm)	32 5/16"-34 11/16" / 23 5/8" / 21 11/16" (82-88/60/55)

Available Accessories

9901561	Brushed aluminum square handle
9902830	SS panel w/ pre drilled holes vertical handle

Undercounter Freezer



UF 501 Premium



Features

Sound rating dB(A) **	38
Freezer capacity cu.ft. (l)	2.8 (79)
Number of FrostSafe drawers	3
Freezer temperature range °F (°C)	+7°F to -18°F (-14°C to -28°C)
Interior light	LED lighting
Door alarm	visual and acoustic
Door type	panel ready or stainless steel panel as accessory
SoftSystem	yes
Door Hinges	left, reversible
Product dimensions (H/W/D) in. (cm)	32 5/16"-34 11/16" / 23 9/16" / 21 11/16" (82-88/59.7/55)
Cut out dimensions (H/W/D) in. (cm)	32 5/16"-34 11/16" / 23 5/8" / 21 11/16" (82-88/60/55)

Available Accessories

9901561	Brushed aluminum square handle
9902830	SS panel w/ pre drilled holes vertical handle

Wine Cabinets



WU 4500

Undercounter Wine Cabinets



WU 3400 Vinidor



WUgb 3400 Vinidor



Features

Sound rating dB(A) *	39	38
Total capacity cu.ft. (l)	3.3 (94)	3.3 (94)
Max. No. of Bordeaux bottles (0.75 l)	34	34
Number of shelves / Shelves on telescopic rails	5 / 3	5 / 3
Shelf material	beech wood shelves	beech wood shelves
Temperature range °F (°C)	+41°F to +68°F (+5°C to +20°C)	+41°F to +68°F (+5°C to +20°C)
Temperature zones	2	2
Temperature alarm	acoustic	acoustic
Interior light	LED lighting permanently on, dimmable	LED lighting permanently on, dimmable
Door alarm	acoustic	acoustic
Safety thermostat	yes	yes
Activated Charcoal filter	yes	yes
Door type	glass door with stainless steel frame	black insulated glass door
Integrated lock	yes	N/A
SoftSystem	N/A	yes
Door Hinges	right, reversible	right, reversible
Product dimensions (H/W/D) in. (cm)	32 1/4" / 23 9/16" / 22 11/16" (81.8/59.7/57.5)	32 1/4" / 23 9/16" / 22 11/16" (81.8/59.7/57.5)
Cut out dimensions (H/W/D) in. (cm)	32 5/16"-34 5/16" / 23 5/8" / 22 7/8" (82-87/60/58)	32 5/16"-34 5/16" / 23 5/8" / 22 7/8" (82-87/60/58)

Available Accessories

9902272	Side-by-Side Kit	Side-by-Side Kit
7434557	Charcoal Filter	Charcoal Filter
9590131	Under-counter Overlay Kit	Under-counter Overlay Kit

Undercounter Wine Cabinets



WU 4500 GrandCru



Features

Sound rating dB(A) **	39
Total capacity cu.ft. (l)	3.9 (110)
Max. No. of Bordeaux bottles (0.75 l)	46
Number of shelves / Shelves on telescopic rails	4 / 3
Shelf material	beech wood shelves
Temperature range °F (°C)	+41°F to +68°F (+5°C to +20°C)
Temperature zones	1
Temperature alarm	acoustic
Interior light	LED interior lighting
Door alarm	acoustic
Safety thermostat	yes
Activated Charcoal filter	yes
Door type	glass door with stainless steel frame
Integrated lock	yes
Door Hinges	right, reversible
Product dimensions (H/W/D) in. (cm)	32 1/4" / 23 9/16" / 22 3/4" (81.8/59.7/57.7)
Cut out dimensions (H/W/D) in. (cm)	32 5/16"-34 5/16" / 23 5/8" / 22 7/8" (82-87/60/58)

Available Accessories

9902272	Side-by-Side Kit
7434557	Charcoal Filter
9590131	Under-counter Overlay Kit

Pantry Wine Cabinet



HW 8000 Vinidor



HWgb 8300 Vinidor



Features

Sound rating dB(A) *	36	36
Total capacity cu.ft. (l)	9.0 (254)	9.5 (271)
Max. No. of Bordeaux bottles (0.75 l)	80	83
Number of shelves / Shelves on telescopic rails	10 / 8	10 / 8
Shelf material	beech wood shelves	beech wood shelves
Presentation shelf	1	1
Temperature range °F (°C)	+41°F to +68°F (+5°C to +20°C)	+41°F to +68°F (+5°C to +20°C)
Temperature zones	2	2
Temperature alarm	acoustic	acoustic
Interior light	LED lighting permanently on, dimmable	LED lighting permanently on, dimmable
Door alarm	acoustic	acoustic
Safety thermostat	yes	yes
Activated Charcoal filter	yes	yes
Door type	panel ready or stainless steel panel as accessory	black insulated glass door, handle and frame free
SoftSystem	yes	yes
Door Hinges	right, reversible	right, reversible
Product dimensions (H/W/D) in. (cm)	69 11/16" / 21 15/16" / 21 13/16" (177/55.7/55.3)	69 11/16" / 21 15/16" / 22 9/16" (177/55.7/57.2)
Cut out dimensions (H/W/D) in. (cm)	70 1/8" / 22 1/16" / 21 11/16" (178/56/55)	70 1/8" / 22 1/16" / 21 11/16" (178/56/55)

Available Accessories

9901561	Brushed aluminum square handle	
9901573	Stainless steel panel, profile frame and handle	
9901080	Brushed aluminum profile frame 3/4"	
7427640	Ventilation grill	Ventilation grill
7434557	Charcoal Filter	Charcoal Filter

Pantry Wine Cabinet



HW 4800 Vinidor

← 24" →
↑ 50" ↓



HWgb 5100 Vinidor

← 24" →
↑ 50" ↓



Features

Sound rating dB(A) *	36	36
Total capacity cu.ft. (l)	5.6 (158)	6.0 (169)
Max. No. of Bordeaux bottles (0.75 l)	48	51
Number of shelves / Shelves on telescopic rails	6 / 4	6 / 4
Shelf material	beech wood shelves	beech wood shelves
Presentation shelf	1	1
Temperature range °F (°C)	+41°F to +68°F (+5°C to +20°C)	+41°F to +68°F (+5°C to +20°C)
Temperature zones	2	2
Temperature alarm	acoustic	acoustic
Interior light	LED lighting permanently on, dimmable	LED lighting permanently on, dimmable
Door alarm	acoustic	acoustic
Safety thermostat	yes	yes
Activated Charcoal filter	yes	yes
Door type	panel ready or stainless steel panel as accessory	black insulated glass door, handle and frame free
SoftSystem	yes	yes
Door Hinges	right, reversible	right, reversible
Product dimensions (H/W/D) in. (cm)	48" / 21 15/16" / 21 13/16" (121.8/55.7/55.3)	48" / 21 15/16" / 22 9/16" (121.8/55.7/57.2)
Cut out dimensions (H/W/D) in. (cm)	48 1/16" / 22 1/16" / 21 11/16" (122/56/55)	48 1/16" / 22 1/16" / 21 11/16" (122/56/55)

Available Accessories

9901561	Brushed aluminum square handle	
9901575	Stainless steel panel, profile frame and handle	
9901079	Brushed aluminum profile frame 3/4"	
7427640	Ventilation grill	Ventilation grill
7434557	Charcoal Filter	Charcoal Filter

Pantry Wine Cabinet



HWgb 1803 GrandCru



Features

Sound rating dB(A) *	36
Total capacity cu.ft. (l)	1.6 (46)
Max. No. of Bordeaux bottles (0.75 l)	18
Number of shelves / Shelves on telescopic rails	3 / 2
Shelf material	beech wood shelves
Temperature range °F (°C)	+41°F to +68°F (+5°C to +20°C)
Temperature zones	1
Temperature alarm	acoustic
Interior light	LED lighting permanently on, dimmable
Door alarm	acoustic
Safety thermostat	yes
Activated Charcoal filter	yes
Door type	black insulated glass door, handle and frame free
SoftSystem	yes
Door Hinges	drop-down door with TipOpen technology
Product dimensions (H/W/D) in. (cm)	17 11/16" / 21 7/8" / 22 1/16" (44.8/55.5/55.9)
Cut out dimensions (H/W/D) in. (cm)	17 3/4" / 22 1/16" / 21 11/16" (45/56/55)

Available Accessories

9901085	Accessory drawer black glass
7434557	Charcoal Filter

Freestanding Wine Cabinet



WS 17800 Vinidor

← 27" →
↑ 80" ↓



Features

Sound rating dB(A) **	39
Total capacity cu.ft. (l)	17.7 (505)
Max. No. of Bordeaux bottles (0.75 l)	178
Number of shelves / Shelves on telescopic rails	13 / 10
Shelf material	beech wood shelves
Presentation shelf	1
Temperature range °F (°C)	+41°F to +68°F (+5°C to +20°C)
Temperature zones	3
Temperature alarm	acoustic
Interior light	LED interior lighting
Door alarm	acoustic
Safety thermostat	yes
Activated Charcoal filter	yes
Door type	glass door with stainless steel frame
Integrated lock	yes
SoftSystem	yes
Door Hinges	right, reversible
Product dimensions (H/W/D) in. (cm)	75 5/8" / 27 9/16" / 29 1/4" (192/70/74.2)
Cut out dimensions (H/W/D) in. (cm)	77 9/16" / 28" / 27 1/16" (197/71.1/68.6)

Available Accessories

9033373	Accessory Drawer / bottle storage
7433243 / 9192811	Charcoal Filter

Wine Cabinets / Undercounter Accessories

Category	Models	Accessory
Panels	Brushed aluminum profile frame 3/4" (HW 8000)	9901080
	Brushed aluminum profile frame 3/4" (HW 4800)	9901079
	Brushed aluminum profile frame 7/8" (HW 8000)	9901083
	Brushed aluminum profile frame 7/8" (HW 4800)	9901082
	Stainless Steel panel, profile frame and handle (HW 8000)	9901573
	Stainless Steel panel, profile frame and handle (HW 4800)	9901575
Handles	Brushed aluminum square handle (HW 8000, HW 4800, UPR 513, UR 500, UF 501, UB 501)	9901561
Accessory Drawers	Accessory drawer / bottle storage (WS 17800)	9033373
	Accessory drawer black glass (HWgb 1803)	9901085
Side by Side Kit	Side-by-Side Kit (WU 3400, WUgb 3400, WU 4500, RU 510)	9902272
Top Filler Angle Bracket	Black Glass Top Filler for 34" installation (WUgb 3400, WU 3400, WU 4500, RU 510)	9901599
Custom Panel Overlay Kit	Custom Panel Overlay Kit (WU 3400, WU 4500, RU 510)	9590131
Ventilation Grill	Ventilation Grill (Pantry Models) (HW 8000, HWgb 8300, HW 4800, HWgb 5100)	7427640
Plastic Clips	Plastic Clip Labels 2 Pieces (WU 3400, WUgb 3400, WU 4500)	9094397
Charcoal Filter	Charcoal Filter (WU 3400, WUgb 3400, WU 4500, HW 8000, HW 4800, HWgb 1803, HWgb 8300, HWgb 5100)	7434557
	Charcoal Filter (WS 17800)	7433243 / 9192811



Typology

CS 14 0 0 R
1 2 3 4 5

HW gb 18 0 3
1 2 3 4 5

1 UPPER CASE LETTERS / Model

CS Combination Refrigerator/Freezer
CBS Combination Refrigerator/Freezer with Bio Fresh

Fully Integrated

HC Fully Integrated Refrigerator/Freezer panel ready
HCB Fully Integrated Refrigerator/Freezer with Bio Fresh panel ready
HRB Fully Integrated Refrigerator with Bio Fresh panel ready
HF Fully Integrated Freezer panel ready

2 FIRST TWO NUMBERS

16 16"

3 Ice Maker

0/1/2 No IceMaker
5/6/8 Built-in IceMaker with water connection
4/7 Built-in IceMaker with water tank

4 LAST NUMBER Door Hinges

0 Right
1 Left
2 French door (2 doors)
3 Pull out or drop down

5 LETTERS AFTER THE NUMBERS

R Replacement market
IM IceMaker
B Builder

1 UPPER CASE LETTERS / Model Undercounter, Wine and Cigars

RU Beverage Center Undercounter
RO Outdoor Cooler
WU Wine Undercounter
WS Wine Freestanding
HW Integrated Wine panel ready
UPR Undercounter refrigerator with pull-out door
UF Undercounter freezer
UR Undercounter refrigerator
UB Undercounter BioFresh refrigerator

2 LOWER CASE LETTERS Finishes

gb Black glass door front

3 FIRST NUMBERS

Max. No. of Bordeaux bottles for wine
Cubic feet capacity for undercounter, refrigerators, beverage and freezers

4

Space holder "0"

5 LAST NUMBER Door hinges

0 Right
1 Left
2 French door (2 doors)
3 Pull out or drop down



Mid-Atlantic Division	800-950-9900	215-554-6566	MID-ATL@almo.com
Northeast Division	800-836-2522	215-554-6697	NE@almo.com
Southeast Division	800-645-3505	215-554-6671	SE@almo.com
Central	844-277-2566	215-554-6514	Central@almo.com



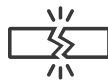
Almo Web Support

- premium.almo.com – Overview of Almo Premium Appliances
- www.access.almo.com - Almo's business-to-business website
 - *Spec sheets, inventory, pricing, training, spiff claims*



Service/Parts Request

- **Contact Liebherr to schedule service or request replacement parts**
 - **Phone** ☎ : 866-543-2437
 - **Customer Care Email** ✉ : service-appliances.us@liebherr.com
 - For cosmetic or damaged / missing parts, please contact Almo Customer Care
- **If you need to escalate an issue, please contact Almo Service and Parts**
 - **Email** ✉ : ASAP@almo.com
 - **Phone** ☎ : 855-320-0524



RA Policies

- *Contact PremiumApplianceCCC@almo.com within 30 days of receipt with reason for return, model/serial number, and PO or Sales Order #*
- **Remorse/order cancelled**
 - *If the unit is factory sealed and a current model, an RA will be approved*
 - Dealer is responsible for return freight
 - No restocking fee (20%) if within the first 10 days receipt
 - *If the unit is opened but unused, an RA will be approved if within the first 10 days*
 - Dealer is responsible for return freight
 - Minimum 35% restock fee
- **Concealed damaged returns**
 - *Refuse any product you feel may be damaged (excludes full container orders)*
 - *Contact Almo CCC with detail of model/serial #, DOP, and how the unit was signed for*
 - *Photos of all sides of the carton and damage must be submitted for any return request on a damage product*

- There are no returns on **special order products**
- There are no returns on **installed products**
- Product returned not in the condition claimed is subject to a **minimum 35% restocking fee**

LIEBHERR