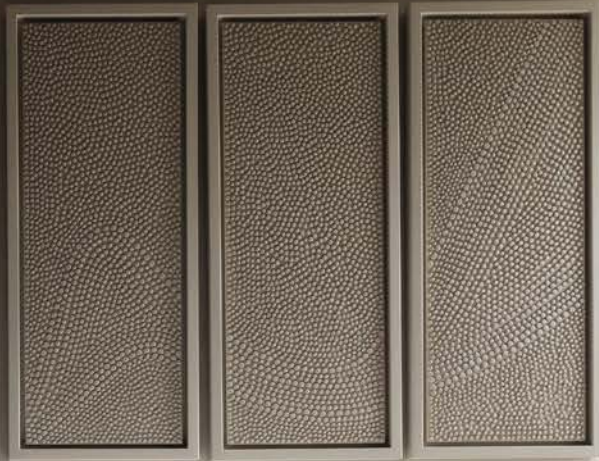


Bathroom 2022 US



SAMUEL HEATH

# Finishes



**CP** Chrome plate is achieved by first applying a base of copper followed by a layer of nickel and then finally a hard gloss coating of chromium is applied to achieve a lustrous hard wearing finish. Samuel Heath offer a 10 year finish guarantee on all chrome plated products.



**PN** Polished nickel is a warm finish which is left unlacquered to develop its own natural patina to develop over time which is part of its charm.



**SN<sub>(US15)</sub>** Our SN<sub>(US15)</sub> finish is a brushed nickel that is left unlacquered - this finish will patina with time.



**CNB** Country bronze is a lighter shade of bronze which is also matt lacquered with a 5 year guarantee. It is not a living finish. There will always be a natural variation in the shade between different components.



**AG** Antique gold finish has base layers of copper and nickel with a final layer of real gold resulting in a subtle light gold color. Samuel Heath offer a 2 year guarantee on this finish.



**MBC** Matt black chrome finish is a colored chrome plated finish which offers a smooth durable result. Base layers of copper and satin nickel give it a highly contemporary matt look which is guaranteed for 10 years.

Using the finest European brass, our Master Polishers create a perfectly smooth surface with no imperfections. This is crucial in providing a flawless surface so that once electroplated, the finish bares the distinguishing features of depth, lustre and durability that Samuel Heath products are renowned for. An initial coating of copper is not always necessary when plating pure brass but we do so to ensure longevity. Each stage of the process is controlled by skilled technicians to ensure that the optimum depth of metal is applied for a lustrous and lasting finish.

A diverse range of metal and pure brass finishes means Samuel Heath brassware is ideal for both traditional and contemporary settings. Furthermore, many of Samuel Heath's finishes are available across our bathroom and hardware collections, allowing for seamless continuity.



**PB** This finish is hand polished but a coating of electrophoretic lacquer is then applied to help preserve its shine. It is guaranteed for 5 years but please check with us first as some components may not technically be achievable in this lacquered finish (products listed in our price list are fine).



**NL** Unlacquered brass is natural brass which has been hand polished but with no lacquer applied. Choose this finish if you want your brass to tarnish naturally (this can take between 2 and 12 months depending on the location and use), or if you intend to clean it very regularly to maintain its lustre. Due to the variations in metal composition there will always be a degree of difference in shade between components.



**CTB** City Bronze is a hand-applied, deep metallic color which is then matt lacquered and comes with a 5 year guarantee. It is not a living finish. There will always be a natural variation in the shade between different components.



**BG** Brushed gold unlacquered is a natural brass finish which is hand polished then finely brushed. After brushing, the finish is left unlacquered so that it can develop its own natural patina over time which is part of its charm.



**BGM** Brushed gold matt lacquered is a natural brass finish which is hand polished then finely brushed. After brushing, we apply a layer of matt lacquer to provide a wear resistant finish and the contemporary appeal of satin brass. This finish comes with a 5 year guarantee.



**BGG** Brushed gold gloss lacquered is a natural brass finish which is hand polished then finely brushed. After brushing, we apply a layer of gloss lacquer to provide a wear resistant, gloss finish. This finish comes with a 5 year guarantee.



**URB** Urban brass is exclusive to LMK and this part brushed, part bead-blasted finish perfectly complements the collections urban styling. Urban brass is left unlacquered so that it can develop its own natural patina over time (subject to regular care) which is part of its charm, therefore we do not offer a guarantee for this finish. Some components such as shower heads, hoses etc do not go through the bead-blasting process.



**URM** Urban brass matt lacquered is a natural brass finish which is part brushed and part bead-blasted. A matt lacquer is then applied to provide a wear resistant matt finish. Some components such as shower heads and hoses do not go through the bead-blasting process. This finish comes with a 5-year guarantee.



**SSB** Stainless steel with matt black chrome, a unique combination which has been developed especially for the LMK collection. This option combines two of our most contemporary finishes, satin nickel with just an accent of matt black chrome to finish it off. This finish will age over time.

---

Samuel Heath is continuously adding to its portfolio of Approved products. For the most up to date approvals please visit the respective websites:

**MASS.CODE** - [licensing.reg.state.ma.us/pubLic/pl\\_products/pb](https://licensing.reg.state.ma.us/pubLic/pl_products/pb).

**U.P.C. and Low Lead** - [info.nsf.org](https://info.nsf.org)

**C.E.C** - [cacertappliances.energy.ca.gov/pages/Appliance Search](https://cacertappliances.energy.ca.gov/pages/Appliance%20Search)

SAMUEL HEATH  
**ONE HUNDRED**  
COLLECTION



THE ONE HUNDRED  
COLLECTION REPRESENTS  
OUR INTERPRETATION OF  
THE VERY BEST OF  
BRITISH DESIGN.



Britain has a long-standing reputation for fine products and luxury experiences. You need only observe the classic lines of a luxury British sports car, the impeccable attention to detail of a Savile Row suit or the effortlessly sophisticated service of an esteemed Mayfair hotel to understand how iconic British brands are created.

With One Hundred we sought to express our own interpretation of timeless British design in two stylistically different yet thematically similar collections. There is an opulence that revels in the grandeur and tactile delight that comes from combining exquisite materials with traditional British crafting techniques. At the same time we have created an understated style and sleek sophistication that has become synonymous with contemporary British design.

The two are united in their goal to celebrate the best of British design whilst adding luxury and style to the everyday.

## THE ONE HUNDRED COLLECTION Control options



Wing Lever - SSB  
Satin Nickel with Matt Black Chrome  
Price Band B



Luxe Lever - CTB  
City Bronze  
Price Band C



Luxe Lever - R51  
Polished Nickel with Gloss Black Chrome  
Price Band A

THE ONE HUNDRED COLLECTION Control options



Roundel - CTB  
City Bronze  
Price Band C



Roundel - E40  
Brushed Gold Matt with City Bronze  
Price Band C



Black Crystal Roundel - E40  
Brushed Gold Matt with City Bronze  
Price Band B



Clear Crystal Roundel - B51  
Antique Gold with Gloss Black Chrome  
Price Band D



Black Crystal Roundel - B51  
Antique Gold with Gloss Black Chrome  
Price Band D



Clear Crystal Roundel - BGM  
Brushed Gold Matt  
Price Band B

THE ONE HUNDRED COLLECTION



T1000



T1007



T1068



T1001



T1011



T1002  
T1003



T1005



T10B1A



T10B2A



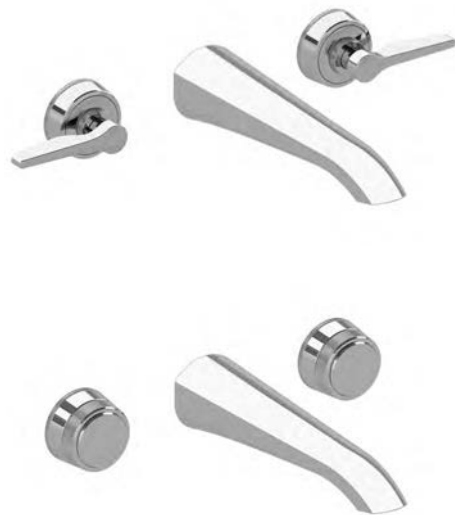
T10KA14

T10KA15

T12KA16



T10K17-1



T10K17-2

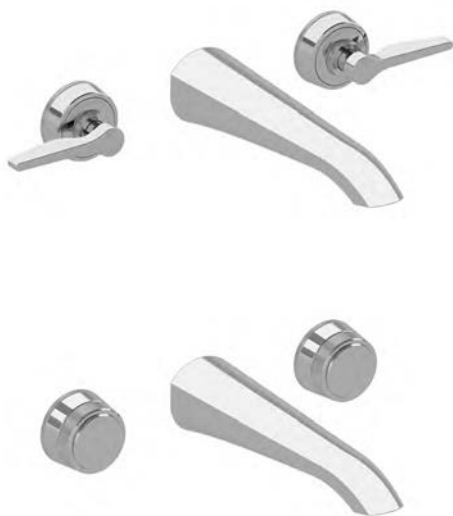
THE ONE HUNDRED COLLECTION



T10K36



T10KA48



T10K47

# THE ONE HUNDRED COLLECTION



T1041-A



T10KA42



T1077

**The One Hundred Collection is available to Approved, displaying dealers only.**  
For accessories see pages 57-59.

# THE ONE HUNDRED COLLECTION Shower

**T10B2A** 1/2" Concealed thermostatic shower, 2 volume controls  
*Includes V663-A easy clean shower head and V654-A hand shower.*  
*Requires V135-AIS concealed valve.*



Feeds: 1/2"  
 Projection of valve: 2 3/16"  
 Extension kits are available, please  
 see page 307 for pricing.



**T10B2ALA09**  
 Wing levers



**T10B2ALB09**  
 Luxe levers



**T10B2AR09**  
 Roundels



**T10B2ACCR09**  
 Clear crystal roundels



**T10B2ACBR09**  
 Black crystal roundels

# THE ONE HUNDRED COLLECTION Shower

## Chrome Plate



CP  
Polished Chrome

## Band A



PN  
Polished Nickel



R51  
Polished Nickel &  
Gloss Black Chrome

## Band B



BGM  
Brushed Gold Matt



SSB  
Satin Nickel Finish  
& Matt Black Chrome



SN(US15)  
Satin Nickel Finish

## Band C



CTB  
City Bronze



MBC  
Matt Black  
Chrome



E40  
Brushed Gold Matt  
& City Bronze



S40  
Satin Nickel Finish  
& City Bronze

## Band D



AG  
Antique Gold



B51  
Antique Gold &  
Gloss Black Chrome

	WING & ROUNDEL	LUXE & CRYSTAL
Polished Chrome	\$6,760	\$7,406
Finish Band A	\$7,592	\$8,320
Finish Band B	\$8,424	\$9,236
Finish Band C	\$9,112	\$9,964
Finish Band D	\$9,776	\$10,712

## V135-AIS Concealed thermostatic valve - rough

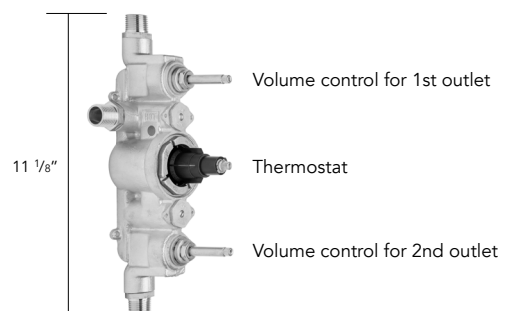
Requires T10B2A. This valve has 2 controlled outlets which can operate simultaneously.

### FITTING / APPROVALS

Feeds: 1/2" NPT  
Fitting depth: Min 4 1/4" - Max 4 3/4"  
from finished tiled surface to rear of fixing,  
when used with T10B2A trim.

Extension kits are available V135-EXT  
adding 1" to fitting depth. If necessary  
more than one extension kit can be used.  
Please see page 307 for pricing.

**Mass. Code Approved**



XX \$1,498

# THE ONE HUNDRED COLLECTION Shower

## T10B1A 1/2" Concealed thermostatic shower, 2 volume controls

*Includes V663-A easy clean shower head and V654-A hand shower.*

*Requires V135-AIS concealed valve.*



Feeds: 1/2"  
Projection of valve: 2 3/16"  
Extension kits are available, please  
see page 307 for pricing.



T10B1ALA09  
Wing levers



T10B1ALB09  
Luxe levers



T10B1AR09  
Roundels



T10B1ACCR09  
Clear crystal roundels



T10B1ACBR09  
Black crystal roundels

# THE ONE HUNDRED COLLECTION Shower

## Chrome Plate



**CP**  
Polished Chrome

## Band A



**PN**  
Polished Nickel



**R51**  
Polished Nickel &  
Gloss Black Chrome

## Band B



**BGM**  
Brushed Gold Matt



**SSB**  
Satin Nickel Finish  
& Matt Black Chrome



**SN(US15)**  
Satin Nickel Finish

## Band C



**CTB**  
City Bronze



**MBC**  
Matt Black  
Chrome



**E40**  
Brushed Gold Matt  
& City Bronze



**S40**  
Satin Nickel Finish  
& City Bronze

## Band D



**AG**  
Antique Gold



**B51**  
Antique Gold &  
Gloss Black Chrome

	WING & ROUNDEL	LUXE & CRYSTAL
Polished Chrome	\$8,050	\$9,008
Finish Band A	\$9,028	\$10,130
Finish Band B	\$10,048	\$11,254
Finish Band C	\$10,858	\$12,168
Finish Band D	\$11,648	\$13,064

## V135-AIS Concealed thermostatic valve - rough

*Requires T10B1A. This valve has 2 controlled outlets which can operate simultaneously.*

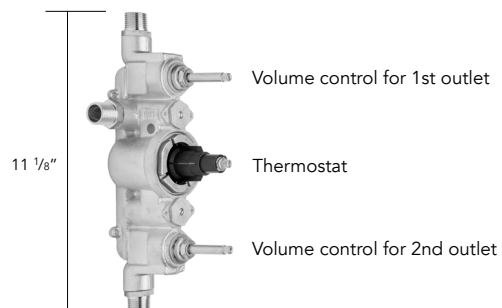
### FITTING / APPROVALS

Feeds: 1/2" NPT

Fitting depth: Min 4 1/4" - Max 4 3/4"  
from finished tiled surface to rear of fixing,  
when used with T10B1A trim.

Extension kits are available V135-EXT  
adding 1" to fitting depth. If necessary  
more than one extension kit can be used.  
Please see page 307 for pricing.

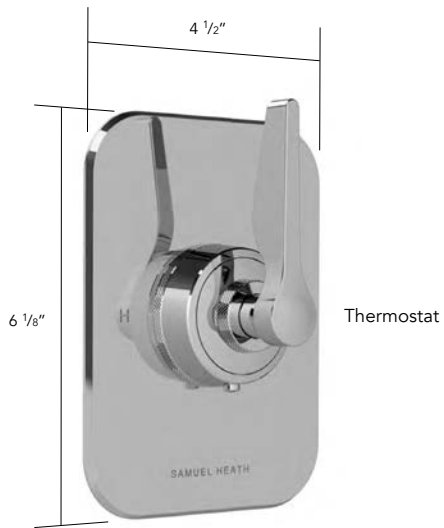
**Mass. Code Approved**



XX \$1,498

# THE ONE HUNDRED COLLECTION Shower

T1000 Trim set for V133-AIS thermostatic valve  
*Requires V133-AIS concealed valve.*



T1000-LA  
Wing lever



T1000-LB  
Luxe lever



T1000-R  
Roundel



T1000-CCR  
Clear crystal roundel



T1000-CBR  
Black crystal roundel

Projection of valve: 2 <sup>3</sup>/<sub>16</sub>" T1000-LA  
Options: V1007 volume control

**Mass. Code Approved**



# THE ONE HUNDRED COLLECTION Shower

## Chrome Plate



**CP**  
Polished Chrome

## Band A



**PN**  
Polished Nickel



**R51**  
Polished Nickel &  
Gloss Black Chrome

## Band B



**BGM**  
Brushed Gold Matt



**SSB**  
Satin Nickel Finish  
& Matt Black Chrome



**SN(US15)**  
Satin Nickel Finish

## Band C



**CTB**  
City Bronze



**MBC**  
Matt Black  
Chrome



**E40**  
Brushed Gold Matt  
& City Bronze



**S40**  
Satin Nickel Finish  
& City Bronze

## Band D



**AG**  
Antique Gold



**B51**  
Antique Gold &  
Gloss Black Chrome

	WING & ROUNDEL	LUXE & CRYSTAL
Polished Chrome	\$1,956	\$2,330
Finish Band A	\$2,226	\$2,622
Finish Band B	\$2,456	\$2,912
Finish Band C	\$2,642	\$3,142
Finish Band D	\$2,830	\$3,370

## V133-AIS Concealed thermostatic valve - rough

*Requires T1000. This valve has 2 open outlets. Use V1007 for each.*

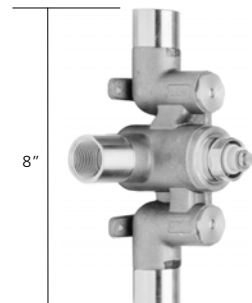
### FITTING / APPROVALS

Feeds:  $\frac{3}{4}$ " NPT  
Fitting depth: Min  $3\frac{1}{2}$ " - Max  $3\frac{7}{8}$ "  
from finished tiled surface to rear of fixing,  
when used with T1000 trim.

Extension kits are available V133-EXT  
adding 1" to fitting depth. If necessary  
more than one extension kit can be used.

Please see page 307 for pricing.

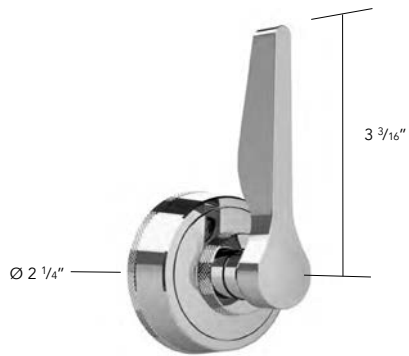
**Mass. Code Approved**



XX \$922

# THE ONE HUNDRED COLLECTION Shower

T1007 Trim set for V607-AIS volume control  
*Requires V607-AIS concealed valve.*



T1007-LA  
Wing lever



T1007-LB  
Luxe lever



T1007-R  
Roundel



T1007-CCR  
Clear crystal roundel



T1007-CBR  
Black crystal roundel

Projection: 2" T1007-LA  
**Mass. Code Approved**



# THE ONE HUNDRED COLLECTION Shower

## Chrome Plate



## Band A



**PN**  
Polished Nickel

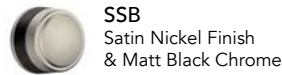


**R51**  
Polished Nickel &  
Gloss Black Chrome

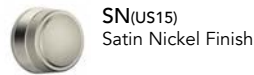
## Band B



**BGM**  
Brushed Gold Matt



**SSB**  
Satin Nickel Finish  
& Matt Black Chrome



**SN(US15)**  
Satin Nickel Finish

## Band C



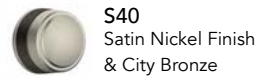
**CTB**  
City Bronze



**MBC**  
Matt Black  
Chrome



**E40**  
Brushed Gold Matt  
& City Bronze

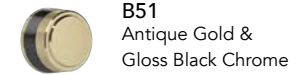


**S40**  
Satin Nickel Finish  
& City Bronze

## Band D



**AG**  
Antique Gold



**B51**  
Antique Gold &  
Gloss Black Chrome

	WING & ROUNDEL	LUXE & CRYSTAL
Polished Chrome	\$1,062	\$1,228
Finish Band A	\$1,208	\$1,394
Finish Band B	\$1,332	\$1,560
Finish Band C	\$1,456	\$1,664
Finish Band D	\$1,560	\$1,790

## V607-AIS Concealed volume control - rough

Requires T1007

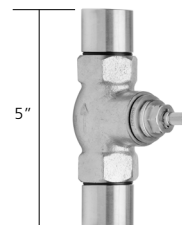
### FITTING / APPROVALS

Feeds: 3/4" NPT  
Fitting depth: Min 2 3/8" - Max 2 3/4"  
from finished tiled surface to center,  
when used with T1007.

Extension kits are available V207-EXT  
adding 1" to fitting depth. If necessary  
more than one extension kit can be used.  
Please see page 307 for pricing.

CALGreen: Compliant when used with our  
C.E.C. shower heads or hand showers.

**Mass. Code Approved**

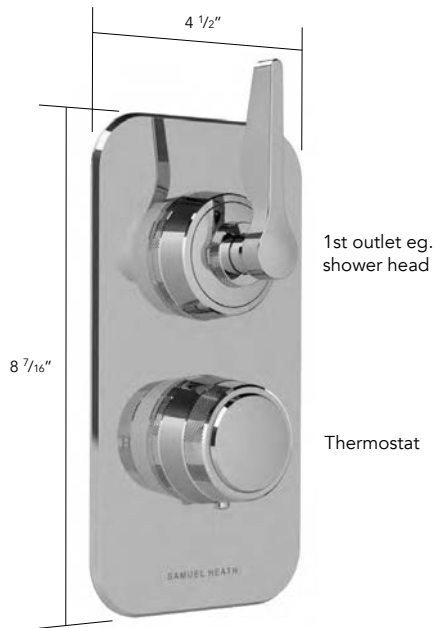


XX

\$220

# THE ONE HUNDRED COLLECTION Shower

T1001 Trim set for V134-AIS thermostatic valve  
*Requires V134-AIS*



T1001-LA  
Wing lever



T1001-LB  
Luxe lever



T1001-R  
Roundel



T1001-CCR  
Clear crystal roundel



T1001-CBR  
Black crystal roundel

Projection of valve: 2 3/16" T1001-LA

**Mass. Code Approved**



# THE ONE HUNDRED COLLECTION Shower

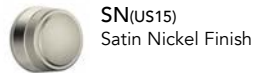
## Chrome Plate



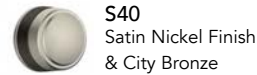
## Band A



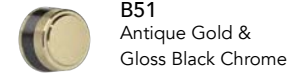
## Band B



## Band C



## Band D



	WING & ROUNDEL	LUXE & CRYSTAL
Polished Chrome	\$2,746	\$3,308
Finish Band A	\$3,100	\$3,744
Finish Band B	\$3,432	\$4,140
Finish Band C	\$3,724	\$4,472
Finish Band D	\$3,994	\$4,806

## V134-AIS Concealed thermostatic valve - rough

Requires T1001. This valve has 1 controlled outlet.

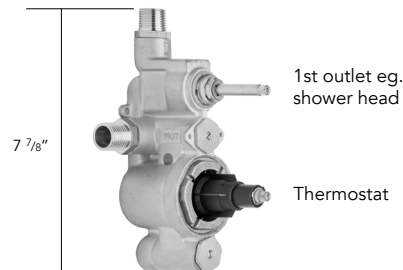
### FITTING / APPROVALS

Feeds: 1/2" NPT  
Fitting depth: Min 4 1/4" - Max 4 3/4"  
from finished tiled surface to rear of fixing,  
when used with T1001 trim.

Extension kits are available V134-EXT  
adding 1" to fitting depth. If necessary  
more than one extension kit can be used.  
Please see page 307 for pricing.

**CALGreen:** Compliant when used with our  
C.E.C. shower heads or hand showers.

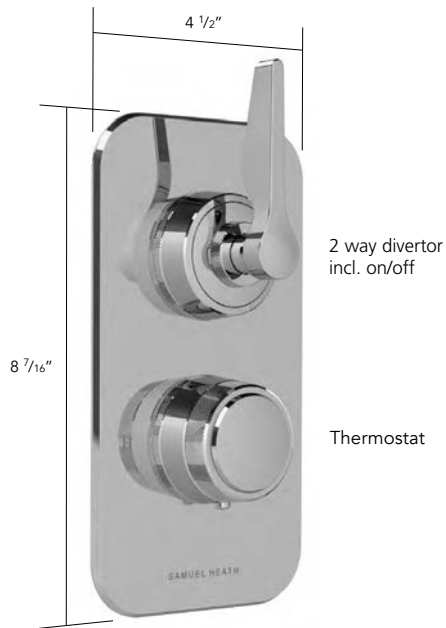
**Mass. Code Approved**



XX \$1,124

# THE ONE HUNDRED COLLECTION Shower

T1011 Trim set for V111-AIS thermostatic valve  
*Requires V111-AIS*



T1011-LA  
Wing lever



T1011-LB  
Luxe lever



T1011-R  
Roundel



T1011-CCR  
Clear crystal roundel



T1011-CBR  
Black crystal roundel

Projection of valve: 2 3/16" T1011-LA

**Mass. Code Approved**



# THE ONE HUNDRED COLLECTION Shower

## Chrome Plate



**CP**  
Polished Chrome

## Band A



**PN**  
Polished Nickel



**R51**  
Polished Nickel &  
Gloss Black Chrome

## Band B



**BGM**  
Brushed Gold Matt



**SSB**  
Satin Nickel Finish  
& Matt Black Chrome



**SN(US15)**  
Satin Nickel Finish

## Band C



**CTB**  
City Bronze



**MBC**  
Matt Black  
Chrome



**E40**  
Brushed Gold Matt  
& City Bronze



**S40**  
Satin Nickel Finish  
& City Bronze

## Band D



**AG**  
Antique Gold



**B51**  
Antique Gold &  
Gloss Black Chrome

	WING & ROUNDEL	LUXE & CRYSTAL
Polished Chrome	\$2,768	\$3,350
Finish Band A	\$3,142	\$3,786
Finish Band B	\$3,474	\$4,182
Finish Band C	\$3,766	\$4,536
Finish Band D	\$4,036	\$4,868

## V111-AIS Concealed thermostatic valve - rough

*Requires T1011. This valve has a 2-way diverter.*

### FITTING / APPROVALS

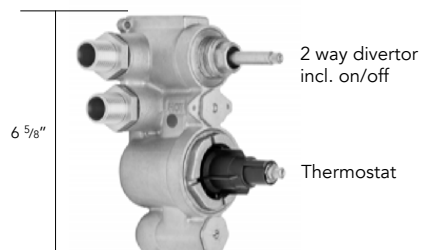
Feeds: 1/2" NPT

Fitting depth: Min 4 1/4" - Max 4 3/4"  
from finished tiled surface to rear of fixing,  
when used with T1011 trim.

Extension kits are available V111-EXT  
adding 1" to fitting depth. If necessary  
more than one extension kit can be used.  
Please see page 307 for pricing.

CALGreen: Compliant when used with our  
C.E.C. shower heads or hand showers.

**Mass. Code Approved**

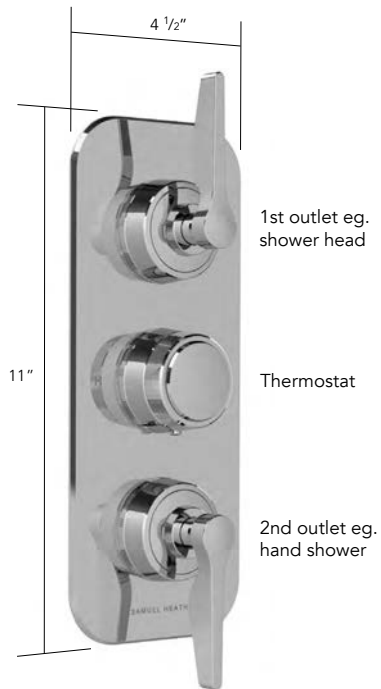


XX \$1,208

# THE ONE HUNDRED COLLECTION Shower

T1002, T1005 Trim set for V135-AIS thermostatic valve - 2 separate volume controls

*Requires V135-AIS*



T1002-LA  
Wing lever



T1005-LA  
Wing lever



T1002-LB  
Luxe lever



T1002-R  
Roundel



T1002-CCR  
Clear crystal roundel



T1002-CBR  
Black crystal roundel

Projection of valve: 2 3/16" T1002-LA

**Mass. Code Approved**



# THE ONE HUNDRED COLLECTION Shower

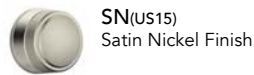
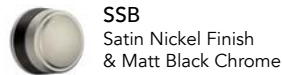
## Chrome Plate



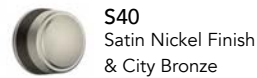
## Band A



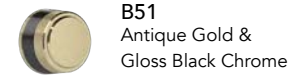
## Band B



## Band C



## Band D



	WING & ROUNDEL	LUXE & CRYSTAL
Polished Chrome	\$3,890	\$4,536
Finish Band A	\$4,390	\$5,118
Finish Band B	\$4,868	\$5,658
Finish Band C	\$5,264	\$6,116
Finish Band D	\$5,638	\$6,574

## V135-AIS Concealed thermostatic valve - rough

*Requires T1002 or T1005. This valve has 2 controlled outlets which can operate simultaneously.*

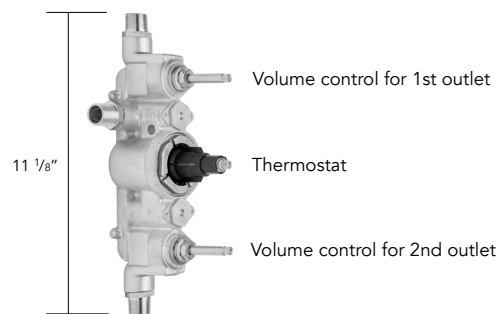
### FITTING / APPROVALS

Feeds: 1/2" NPT

Fitting depth: Min 4 1/4" - Max 4 3/4"  
from finished tiled surface to rear of fixing,  
when used with T1002 or T1005 trim.

Extension kits are available V135-EXT  
adding 1" to fitting depth. If necessary  
more than one extension kit can be used.  
Please see page 307 for pricing.

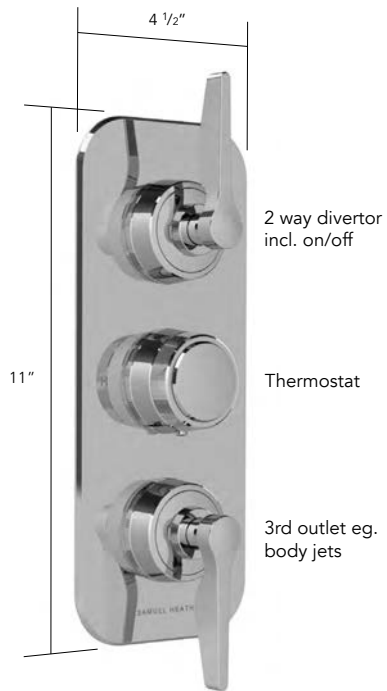
**Mass. Code Approved**



XX \$1,498

# THE ONE HUNDRED COLLECTION Shower

T1003 Trim set for V132-AIS thermostatic valve - 2- way diverter with volume control for 3rd outlet  
*Requires V132-AIS*



T1003-LA  
Wing lever



T1003-LB  
Luxe lever



T1003-R  
Roundel



T1003-CCR  
Clear crystal roundel



T1003-CBR  
Black crystal roundel

Projection of valve: 2 3/16" T1003-LA  
**Mass. Code Approved**



# THE ONE HUNDRED COLLECTION Shower

## Chrome Plate



**CP**  
Polished Chrome

## Band A



**PN**  
Polished Nickel



**R51**  
Polished Nickel &  
Gloss Black Chrome

## Band B



**BGM**  
Brushed Gold Matt



**SSB**  
Satin Nickel Finish  
& Matt Black Chrome



**SN(US15)**  
Satin Nickel Finish

## Band C



**CTB**  
City Bronze



**MBC**  
Matt Black  
Chrome



**E40**  
Brushed Gold Matt  
& City Bronze



**S40**  
Satin Nickel Finish  
& City Bronze

## Band D



**AG**  
Antique Gold



**B51**  
Antique Gold &  
Gloss Black Chrome

	WING & ROUNDEL	LUXE & CRYSTAL
Polished Chrome	\$3,890	\$4,536
Finish Band A	\$4,390	\$5,118
Finish Band B	\$4,868	\$5,658
Finish Band C	\$5,264	\$6,116
Finish Band D	\$5,638	\$6,574

## V132-AIS Concealed thermostatic valve - rough

*Requires T1003. This valve has a two-way diverter plus an extra controlled outlet giving 3 options.*

### FITTING / APPROVALS

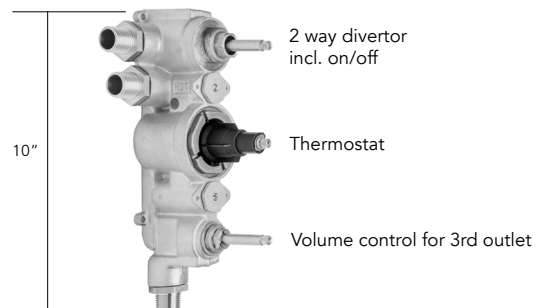
Feeds:  $\frac{3}{4}$ " NPT

Fitting depth: Min 4  $\frac{1}{4}$ " - Max 4  $\frac{3}{4}$ "  
from finished tiled surface to rear of fixing,  
when used with T1003 trim.

Extension kits are available V132-EXT  
adding 1" to fitting depth. If necessary  
more than one extension kit can be used.

Please see page 307 for pricing.

**Mass. Code Approved**

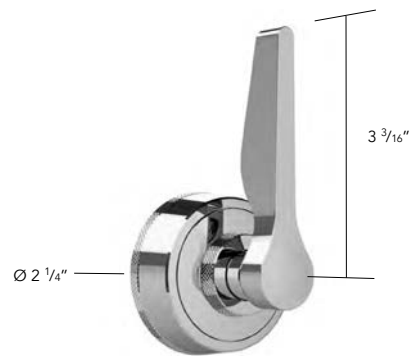


XX \$1,602

## THE ONE HUNDRED COLLECTION Shower

**T1068** Trim set for V168-AIS concealed 3 way diverter

*Requires V168-AIS*



**T1068-LA**  
Wing lever



**T1068-LB**  
Luxe lever

Projection of valve: 2" T1068-LA

# THE ONE HUNDRED COLLECTION Shower

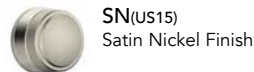
## Chrome Plate



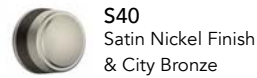
## Band A



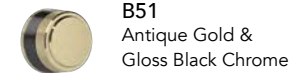
## Band B



## Band C



## Band D



	WING & ROUNDEL	LUXE & CRYSTAL
Polished Chrome	\$1,062	\$1,270
Finish Band A	\$1,208	\$1,456
Finish Band B	\$1,332	\$1,602
Finish Band C	\$1,456	\$1,728
Finish Band D	\$1,560	\$1,852

## V168-AIS Concealed 3-way diverter - rough

*Requires T1068.*

- One inlet, three outlets (one can be closed off)
- Diverter does not share water channels

### FITTING / APPROVALS

Inlets & outlets: 1/2" NPT

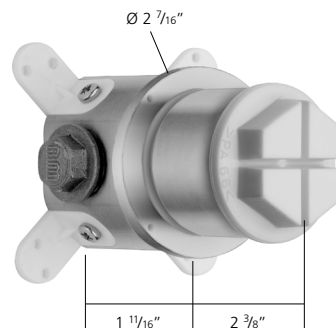
Fitting depth: Min 4 1/8" - Max 4 1/2"

from finished tiled surface to rear of fixing,  
when used with T1068 trim.

**CALGreen:** Compliant when used with our  
C.E.C. shower heads or hand showers.

Can be used for deck mounting providing the  
unit is supported sufficiently.

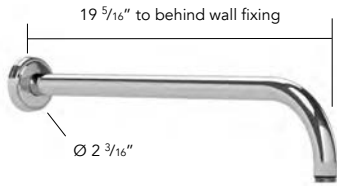
**Mass. Code Approved**



XX \$720

# THE ONE HUNDRED COLLECTION Shower

## T162-A 1/2" Overhead shower arm



CP	\$922
PN	\$1,030
BGM	\$1,166
SN(us15)	\$1,082
CTB	\$1,270
MBC	\$1,208
AG	\$1,312

Feed: 1/2" NPT

## V663-A, V663-B 8" Easy clean shower head

For swivel ball joint order V987.



### FITTING / APPROVALS

Thread: 1/2"

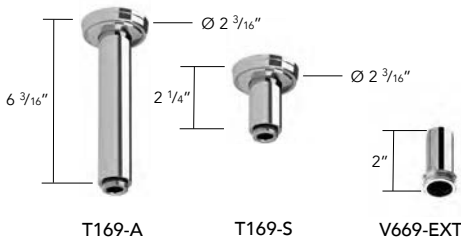


Flow < 1.8 gpm  
Min. 45 psi  
V663-B Higher flow rate (2.5gpm) also available  
(not approved)

C.E.C. Approved  
**Mass. Code Approved**

CP	\$838
PN	\$946
BGM	\$1,144
SN(us15)	\$986
CTB	\$1,144
MBC	\$1,124
AG	\$1,208

## T169-A, T169-S, V669-EXT 1/2" Ceiling tube for shower head



- V669-EXT extension piece can replace the 157mm tube to give a 50mm projection for fitting close to ceiling
- More than one V669-EXT extension piece can be used

### FITTING / APPROVALS

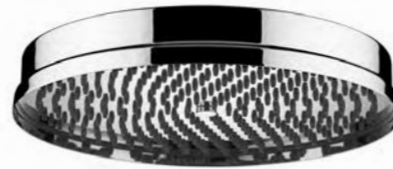
	T169-A	T169-S	V669-EXT
CP	\$452	\$378	\$170
PN	\$496	\$414	\$184
BGM	\$564	\$472	\$212
SN(us15)	\$520	\$436	\$194
CTB	\$622	\$510	\$228
MBC	\$588	\$490	\$216
AG	\$632	\$528	\$238

Feed: 1/2" NPT

## V665-A, V665-B 12" Easy clean shower head

For swivel ball joint order V987.

Due to its weight this product is best used with a ceiling tube. If used with exposed pipework additional support brackets will be required.



### FITTING / APPROVALS

Thread: 1/2"



Flow < 1.8 gpm  
Min. 45 psi  
V665-B Higher flow rate (2.5gpm) also available  
(not approved)

C.E.C. Approved  
**Mass. Code Approved**

CP	\$1,582
PN	\$1,748
BGM	\$1,956
SN(us15)	\$1,790
CTB	\$2,102
MBC	\$2,060
AG	\$2,226

## T179-A, T179-B Adjustable, 6-jet easy clean shower head



### FITTING / APPROVALS

Thread: 1/2" NPT



C.E.C. Approved

V179-B Higher flow rate (2.5gpm) also available  
(not Approved)

CP	\$1,104
PN	\$1,228
BGM	\$1,374
SN(us15)	\$1,270
CTB	\$1,498
MBC	\$1,456
AG	\$1,560

## T179-8A Adjustable, 8-jet easy clean shower head



### FITTING / APPROVALS

Thread: 1/2" NPT

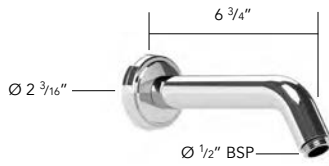


C.E.C. Approval pending  
**Mass. Code Approval pending**

CP	\$1,144
PN	\$1,228
BGM	\$1,456
SN(us15)	\$1,312
CTB	\$1,560
MBC	\$1,498
AG	\$1,624

# THE ONE HUNDRED COLLECTION Shower

## T179ARM-A Arm and rose



### FITTING / APPROVALS

Thread: 1/2" NPT



CP	\$580
PN	\$638
BGM	\$726
SN(US15)	\$668
CTB	\$784
MBC	\$754
AG	\$812

## V189 12" Easy clean shower head

*Due to its weight this product is best used with a ceiling tube. If used with exposed pipework additional support brackets will be required.*



### FITTING / APPROVALS

Thread: 1/2"



Some nozzles may not give full flow due to the strict limitations of flow required by C.E.C.

CP	\$1,478
PN	\$1,624
SN(US15)	\$1,706

## V178-A, V178-B 8" Easy clean shower head



### FITTING / APPROVALS

Thread: 1/2"



Flow < 1.8 gpm  
Min. 45 psi

V178-B Higher flow rate (2.5gpm) also available (not approved)

C.E.C. Approved  
**Mass. Code Approved**

CP	\$494
PN	\$602
BGM	\$1,010
SN(US15)	\$732
CTB	\$1,010
MBC	\$720
AG	\$1,010

## V378 8" Square easy clean shower head



### FITTING / APPROVALS

Thread: 1/2"



Min. 45 psi

CP	\$1,352
PN	\$1,498
SN(US15)	\$1,560

## V188 8" Easy clean shower head



### FITTING / APPROVALS

Thread: 1/2"



Min. 45 psi

CP	\$1,010
PN	\$1,124
SN(US15)	\$1,166

## V379 12" Square easy clean shower head

*Due to its weight this product is best used with a ceiling tube. If used with exposed pipework additional support brackets will be required.*



### FITTING / APPROVALS

Thread: 1/2"



Some nozzles may not give full flow due to the strict limitations of flow required by C.E.C.

CP	\$1,832
PN	\$2,018
SN(US15)	\$2,102

# THE ONE HUNDRED COLLECTION Shower

## V987 Swivel ball joint

For use with V663-A and V665-A shower heads.



### FITTING / APPROVALS

Thread: 1/2"



CP	\$88
PN	\$102
BGM	\$126
SN(us15)	\$116
CTB	\$172
MBC	\$162
AG	\$172

## T1080 Bath boss for hand shower



### FITTING / APPROVALS

Max deck thickness: 2"  
Max drill hole: 1 7/8"

CP	\$442
PN	\$486
BGM	\$558
SN(us15)	\$508
CTB	\$602
MBC	\$582
AG	\$622

## T164-A Wall outlet



### FITTING / APPROVALS

Thread: 1/2" NPT

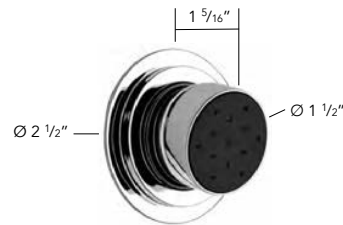
CP	\$258
PN	\$284
BGM	\$324
SN(us15)	\$298
CTB	\$348
MBC	\$336
AG	\$362

## T167 Wall bracket



CP	\$474
PN	\$520
BGM	\$602
SN(us15)	\$544
CTB	\$644
MBC	\$622
AG	\$666

## V276-A Body jet (high flow)



### FITTING / APPROVALS

Feed: 1/2"

CP	\$592
PN	\$688
BGM	\$742
SN(us15)	\$688
CTB	\$858
MBC	\$772
AG	\$838

## V783 Angle bracket

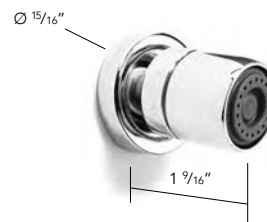


### FITTING / APPROVALS

Feed: 1/2"

CP	\$246
PN	\$270
BGM	\$308
SN(us15)	\$280
CTB	\$334
MBC	\$312
AG	\$344

## V176-A 1/2" Bodyjet



### FITTING / APPROVALS

Thread: 1/2"

CP	\$302
PN	\$378
BGM	\$484
SN(us15)	\$442
CTB	\$666
MBC	\$538
AG	\$670

# THE ONE HUNDRED COLLECTION Shower

## V165, V941, V942 Hoses



### FITTING / APPROVALS

Thread: 1/2"

	V165	V941	V942
CP	\$134	\$134	\$152
PN	\$152	\$152	\$170
BGM	\$280	\$280	\$292
SN(us15)	\$224	\$224	\$238
CTB	\$484	\$484	\$494
MBC	\$280	\$280	\$292
AG	\$312	\$312	\$324

## T166-A Combined wall outlet / bracket



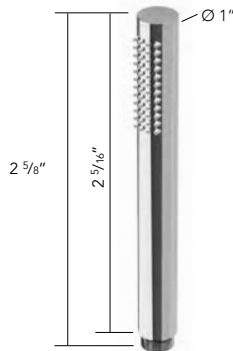
### FITTING / APPROVALS

Feed: 1/2"



CP	\$324
PN	\$354
BGM	\$404
SN(us15)	\$370
CTB	\$438
MBC	\$420
AG	\$452

## V182-A Easy clean hand shower



### FITTING / APPROVALS

Thread: 1/2"



Flow < 1.8 gpm

C.E.C. Approved.

Mass. Code Approved

CP	\$312
PN	\$344
BGM	\$388
SN(us15)	\$354
CTB	\$420
MBC	\$398
AG	\$442

## V654-A Easy clean hand shower



### FITTING / APPROVALS

Thread: 1/2"



Flow < 1.8 gpm

C.E.C. Approved.

Mass. Code Approved

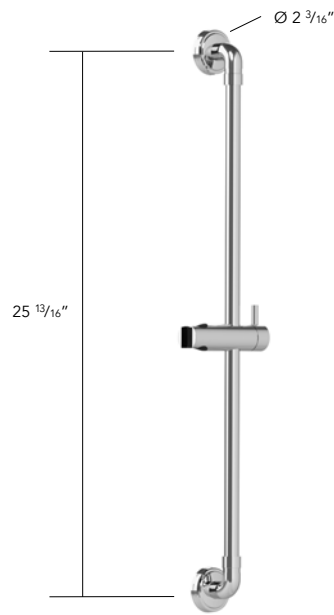
CP	\$666
PN	\$732
BGM	\$838
SN(us15)	\$772
CTB	\$902
MBC	\$858
AG	\$946

# THE ONE HUNDRED COLLECTION Shower

T170A-KIT Slider rail kit



T170 Slider rail



**FITTING / APPROVALS**

Feed: 1/2"

Flow < 1.8 gpm

CP	\$2,642
PN	\$2,934
BGM	\$3,308
SN(US15)	\$3,058
CTB	\$3,600
MBC	\$3,432
AG	\$3,724

CP	\$1,686
PN	\$1,852
BGM	\$2,102
SN(US15)	\$1,936
CTB	\$2,288
MBC	\$2,206
AG	\$2,372

**Band A**



**PN**  
Polished Nickel



**R51**  
Polished Nickel &  
Gloss Black Chrome

**Band B**



**BGM**  
Brushed Gold Matt



**SSB**  
Satin nickel Finish  
& Matt Black Chrome



**SN(US15)**  
Satin Nickel Finish

**Band C**



**CTB**  
City Bronze



**MBC**  
Matt Black  
Chrome



**E40**  
Brushed Gold Matt  
& City Bronze



**S40**  
Satin Nickel Finish  
& City Bronze

**Band D**



**AG**  
Antique Gold



**B51**  
Antique Gold &  
Gloss Black Chrome

T10KA14LA-SSB - 3 Hole Lavatory Filler with  
Wing Levers, Satin Nickel Finish with Matt Black Chrome

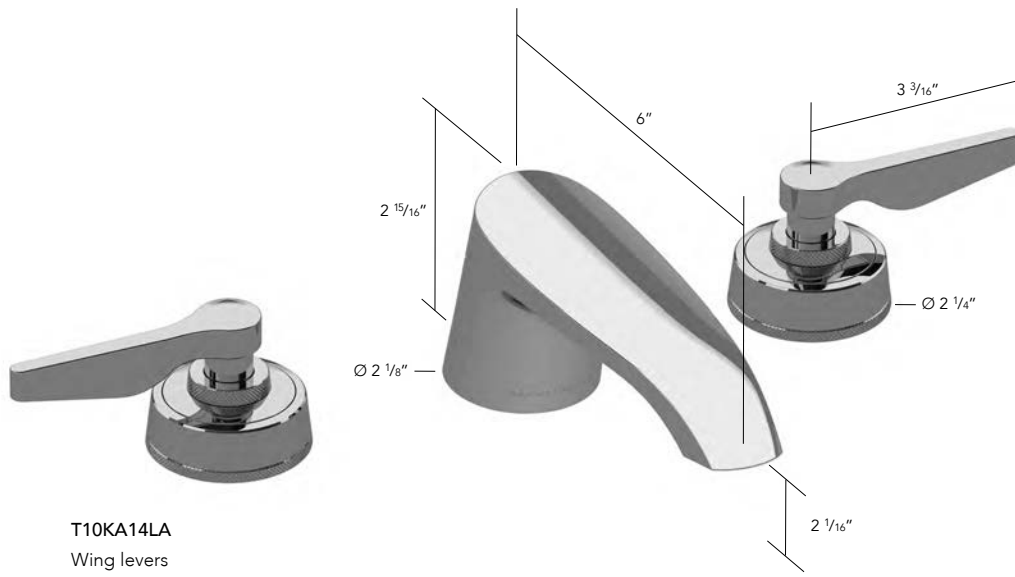
---



# THE ONE HUNDRED COLLECTION Lavatory

## T10KA14 3 hole lavatory mixer

*Does not have a pop-up drain, see V192-A on page 44*



**T10KA14LA**  
Wing levers



**T10KA14LB**  
Luxe levers



**T10KA14R**  
Roundels



**T10KA14CCR**  
Clear crystal roundels



**T10KA14CBR**  
Black crystal roundels

# THE ONE HUNDRED COLLECTION Lavatory

## Chrome Plate



**CP**  
Polished Chrome

## Band A



**PN**  
Polished Nickel



**R51**  
Polished Nickel &  
Gloss Black Chrome

## Band B



**BGM**  
Brushed Gold Matt



**SSB**  
Satin Nickel Finish  
& Matt Black Chrome



**SN(US15)**  
Satin Nickel Finish

## Band C



**CTB**  
City Bronze



**MBC**  
Matt Black  
Chrome



**E40**  
Brushed Gold Matt  
& City Bronze



**S40**  
Satin Nickel Finish  
& City Bronze

## Band D



**AG**  
Antique Gold



**B51**  
Antique Gold &  
Gloss Black Chrome

	WING & ROUNDEL	LUXE & CRYSTAL
Polished Chrome	\$3,142	\$3,682
Finish Band A	\$3,536	\$4,140
Finish Band B	\$3,932	\$4,598
Finish Band C	\$4,244	\$4,952
Finish Band D	\$4,556	\$5,326

## FITTING / APPROVALS

For lavatory drain see V192-A

Feeds: 1/2" NPT

Max deck thickness: 1 9/16"

Max drill hole side valves: 1 1/2"

Max drill hole spout: 1 5/8"



Flow < 1.2 gpm



C US

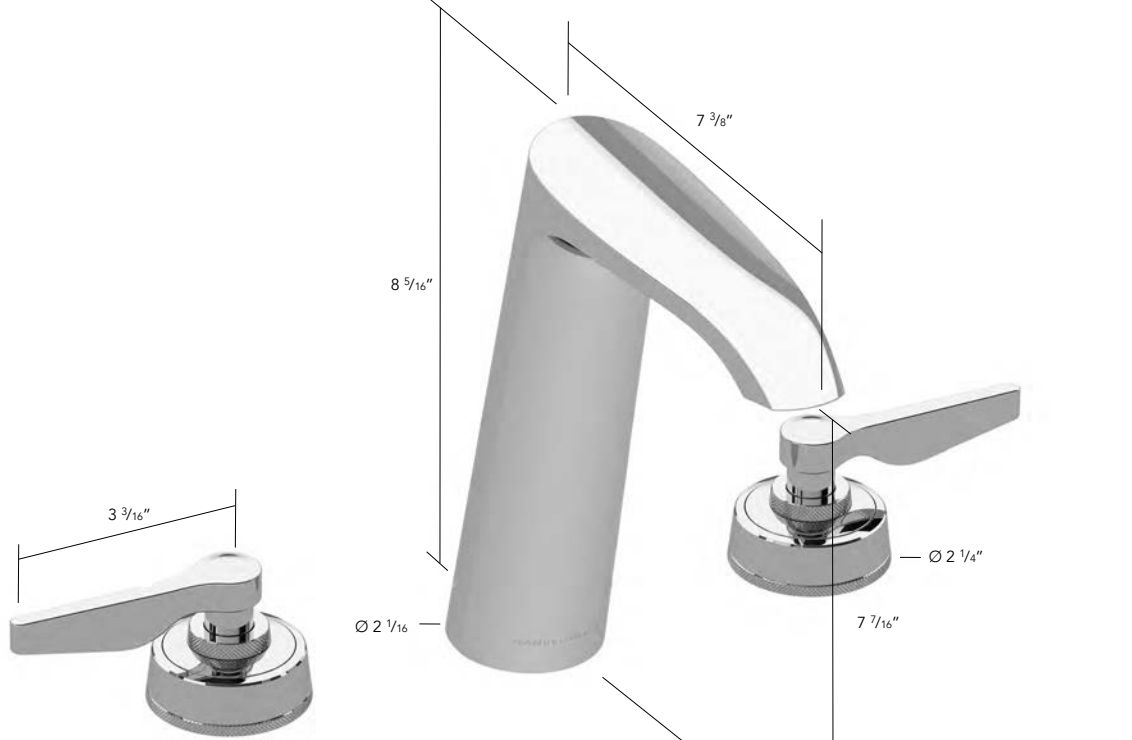
**Mass. Code Approved**

# THE ONE HUNDRED COLLECTION Lavatory

## T10KA15 3 hole lavatory mixer, high spout

*Does not have a pop-up drain, see V192-A on page 44*

*For N.S.F. Approved version please order: T1015-A-XX*



**T10KA15LA**  
Wing levers



**T10KA15LB**  
Luxe levers



**T10KA15R**  
Roundels



**T10KA15CCR**  
Clear crystal roundels



**T10KA15CBR**  
Black crystal roundels

# THE ONE HUNDRED COLLECTION Lavatory

## Chrome Plate



**CP**  
Polished Chrome

## Band A



**PN**  
Polished Nickel



**R51**  
Polished Nickel &  
Gloss Black Chrome

## Band B



**BGM**  
Brushed Gold Matt



**SSB**  
Satin Nickel Finish  
& Matt Black Chrome



**SN(US15)**  
Satin Nickel Finish

## Band C



**CTB**  
City Bronze



**MBC**  
Matt Black  
Chrome



**E40**  
Brushed Gold Matt  
& City Bronze



**S40**  
Satin Nickel Finish  
& City Bronze

## Band D



**AG**  
Antique Gold



**B51**  
Antique Gold &  
Gloss Black Chrome

	WING & ROUNDEL	LUXE & CRYSTAL
Polished Chrome	\$3,516	\$3,994
Finish Band A	\$3,974	\$4,514
Finish Band B	\$4,410	\$4,992
Finish Band C	\$4,764	\$5,408
Finish Band D	\$5,118	\$5,804

## FITTING / APPROVALS

For lavatory drain see V192-A

Feeds: 1/2" NPT

Max deck thickness: 1 9/16"

Max drill hole side valves: 1 1/2"

Max drill hole spout: 1 5/8"



Flow < 1.2 gpm



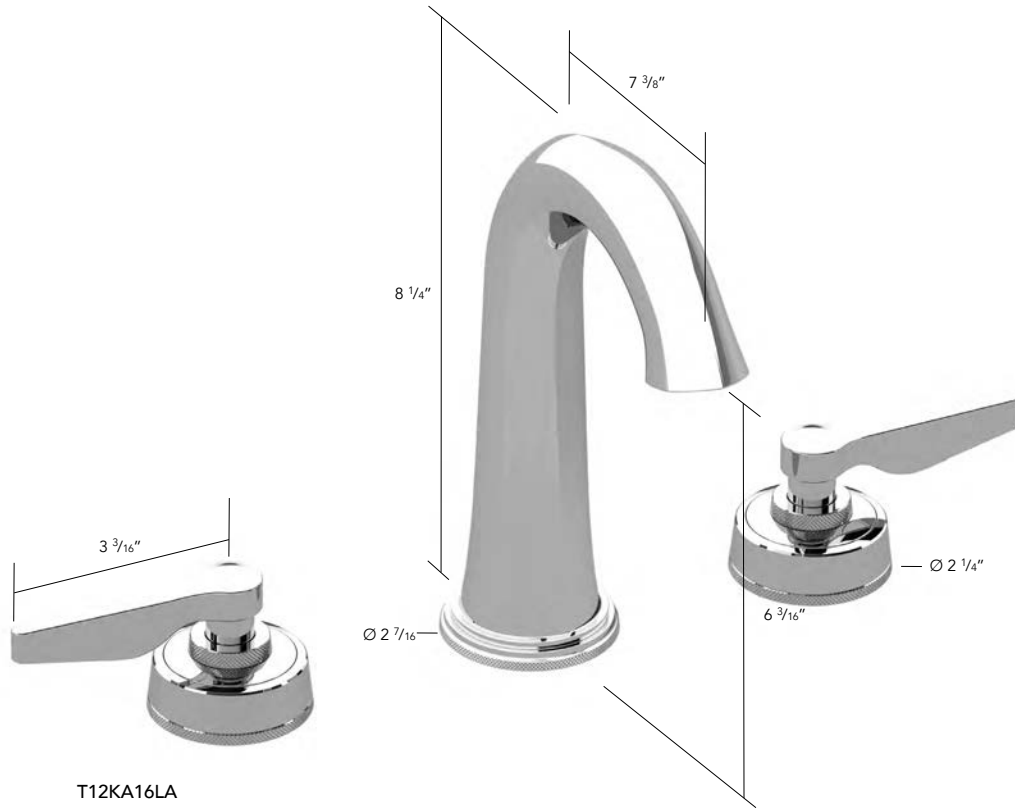
C US

**Mass. Code Approved**

# THE ONE HUNDRED COLLECTION Lavatory

## T12KA16 3 hole lavatory mixer

*Does not have a pop-up drain, see V192-A on page 44*



**T12KA16LA**  
Wing levers



**T12KA16LB**  
Luxe levers



**T12KA16R**  
Roundels



**T12KA16CCR**  
Clear crystal roundels



**T12KA16CBR**  
Black crystal roundels

# THE ONE HUNDRED COLLECTION Lavatory

## Chrome Plate



**CP**  
Polished Chrome

## Band A



**PN**  
Polished Nickel



**R51**  
Polished Nickel &  
Gloss Black Chrome

## Band B



**BGM**  
Brushed Gold Matt



**SSB**  
Satin Nickel Finish  
& Matt Black Chrome



**SN(US15)**  
Satin Nickel Finish

## Band C



**CTB**  
City Bronze



**MBC**  
Matt Black  
Chrome



**E40**  
Brushed Gold Matt  
& City Bronze



**S40**  
Satin Nickel Finish  
& City Bronze

## Band D



**AG**  
Antique Gold



**B51**  
Antique Gold &  
Gloss Black Chrome

	WING & ROUNDEL	LUXE & CRYSTAL
Polished Chrome	\$3,142	\$3,682
Finish Band A	\$3,536	\$4,140
Finish Band B	\$3,932	\$4,598
Finish Band C	\$4,244	\$4,952
Finish Band D	\$4,556	\$5,326

## FITTING / APPROVALS

For lavatory drain see V192-A

Feeds: 1/2" NPT

Max deck thickness: 1 9/16"

Max drill hole side valves: 1 1/4" - 1 9/16"

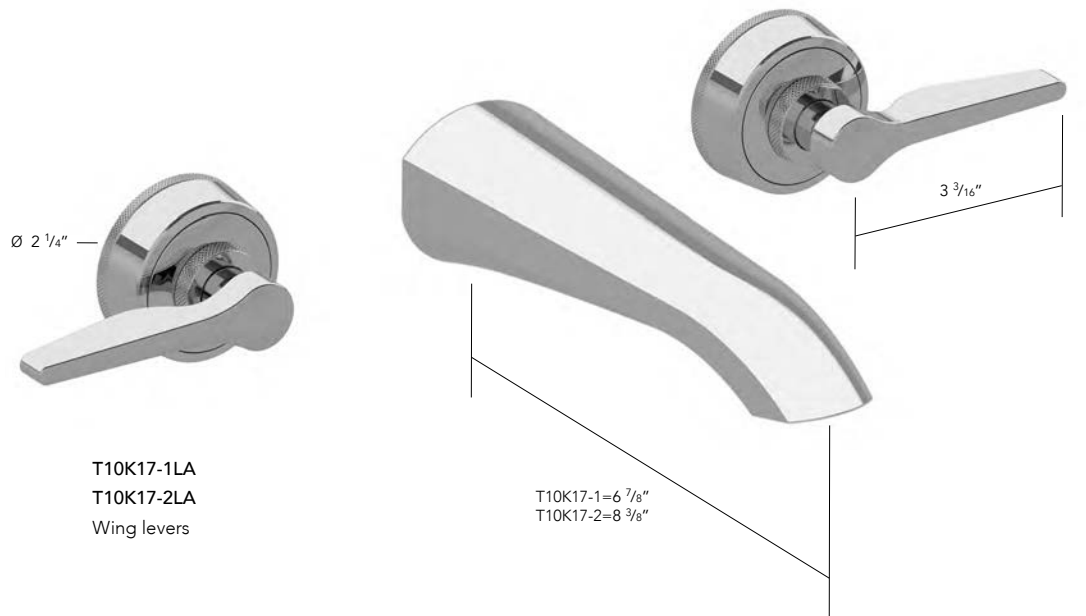
Max drill hole spout: 1 1/2" - 1 5/8"



# THE ONE HUNDRED COLLECTION Lavatory

## T10K17-1, T10K17-2 Wall mounted lavatory mixer, trim set (2 spout lengths)

Requires V718-AIS Rough



T10K17-1LA  
T10K17-2LA  
Wing levers

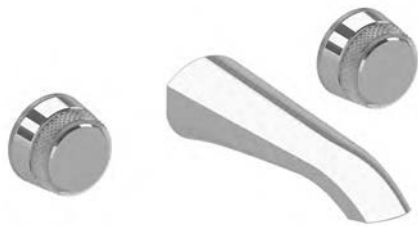
T10K17-1=6 7/8\"/>  
T10K17-2=8 3/8\"/>



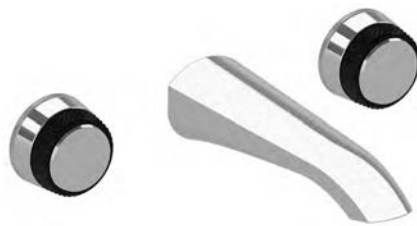
T10K17-1LB  
T10K17-2LB  
Luxe levers



T10K17-1R  
T10K17-2R  
Roundels



T10K17-1CCR  
T10K17-2CCR  
Clear crystal roundels



T10K17-1CBR  
T10K17-2CBR  
Black crystal roundels

### FITTING / APPROVALS

Min/Max drill hole: 1 3/4"-1 7/8" side valve

Min/Max drill hole: 1 3/8"-1 1/2" spout

# THE ONE HUNDRED COLLECTION Lavatory

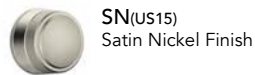
## Chrome Plate



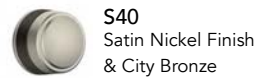
### Band A



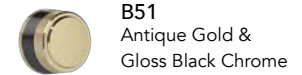
### Band B



### Band C



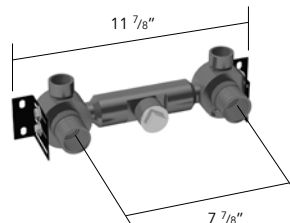
### Band D



T10K17-1	WING & ROUNDEL	LUXE & CRYSTAL
Polished Chrome	\$3,038	\$3,516
Finish Band A	\$3,412	\$3,974
Finish Band B	\$3,808	\$4,410
Finish Band C	\$4,098	\$4,764
Finish Band D	\$4,410	\$5,118

T10K17-2	WING & ROUNDEL	LUXE & CRYSTAL
Polished Chrome	\$3,142	\$3,558
Finish Band A	\$3,536	\$4,016
Finish Band B	\$3,932	\$4,472
Finish Band C	\$4,244	\$4,826
Finish Band D	\$4,556	\$5,180

## V718-AIS Rough



### FITTING / APPROVALS

Feeds: 3/4" female with adaptor for 1/2" female

Min fitting depth: 3"

Max fitting depth: 3 3/8"

XX

\$506



Flow <1.2 gpm

C.E.C. Approved  
Mass. Code Approved

# THE ONE HUNDRED COLLECTION Lavatory

## V193-A 1 1/4" Lavatory bottle trap

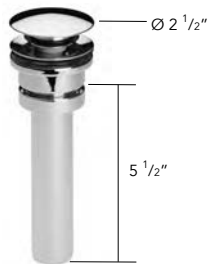


CP	\$420
PN	\$538
BGM	\$592
SN(US15)	\$568
CTB	\$762
MBC	\$592
AG	\$602

---

## V192-A Lavatory drain

*Can be used with or without an overflow*



CP	\$148
PN	\$198
BGM	\$270
SN(US15)	\$248
CTB	\$312
MBC	\$270
AG	\$270

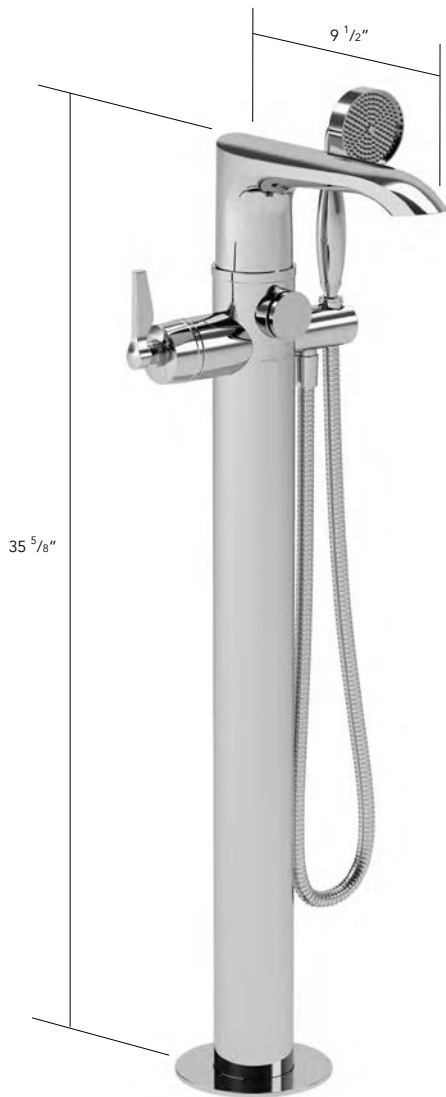
*T10K36LA-BGM* - Tub Shower Mixer  
with Wing Lever, Brushed Gold Matt

---

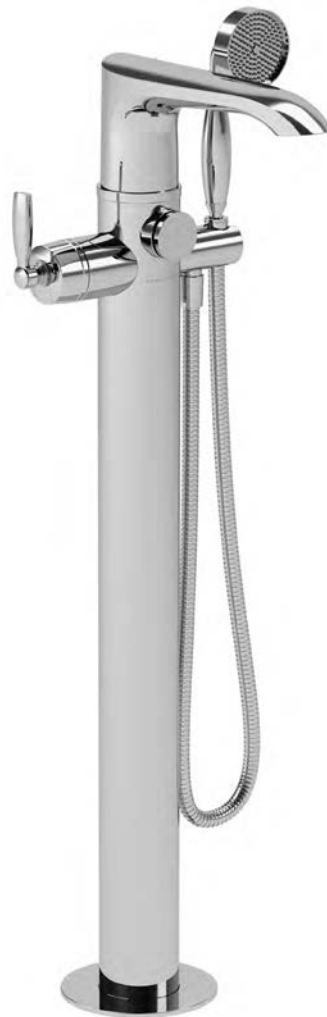


# THE ONE HUNDRED COLLECTION Tub

T10K36 Floor mounted single lever tub / shower mixer  
*Requires V736-AIS*



T10K36-LA  
Wing lever



T10K36-LB  
Luxe lever

**FITTING / APPROVALS**  
*Requires V736-AIS (see page 47)*



**Mass. Code Approved**

# THE ONE HUNDRED COLLECTION Tub

## Chrome Plate



**CP**  
Polished Chrome

## Band A



**PN**  
Polished Nickel



**R51**  
Polished Nickel &  
Gloss Black Chrome

## Band B



**BGM**  
Brushed Gold Matt



**SSB**  
Satin Nickel Finish  
& Matt Black Chrome



**SN(U515)**  
Satin Nickel Finish

## Band C



**CTB**  
City Bronze



**MBC**  
Matt Black  
Chrome



**E40**  
Brushed Gold Matt  
& City Bronze



**S40**  
Satin Nickel Finish  
& City Bronze

## Band D



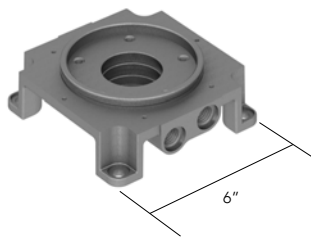
**AG**  
Antique Gold



**B51**  
Antique Gold &  
Gloss Black Chrome

	WING	LUXE
Polished Chrome	\$9,548	\$11,046
Finish Band A	\$10,754	\$12,440
Finish Band B	\$11,940	\$13,812
Finish Band C	\$12,896	\$14,914
Finish Band D	\$13,854	\$16,016

V736-AIS Floor rough for single lever tub / shower mixer



## FITTING / APPROVALS

Feeds: 1/2" NPT

Fitting depth: Min 4" - Max 6 1/4"



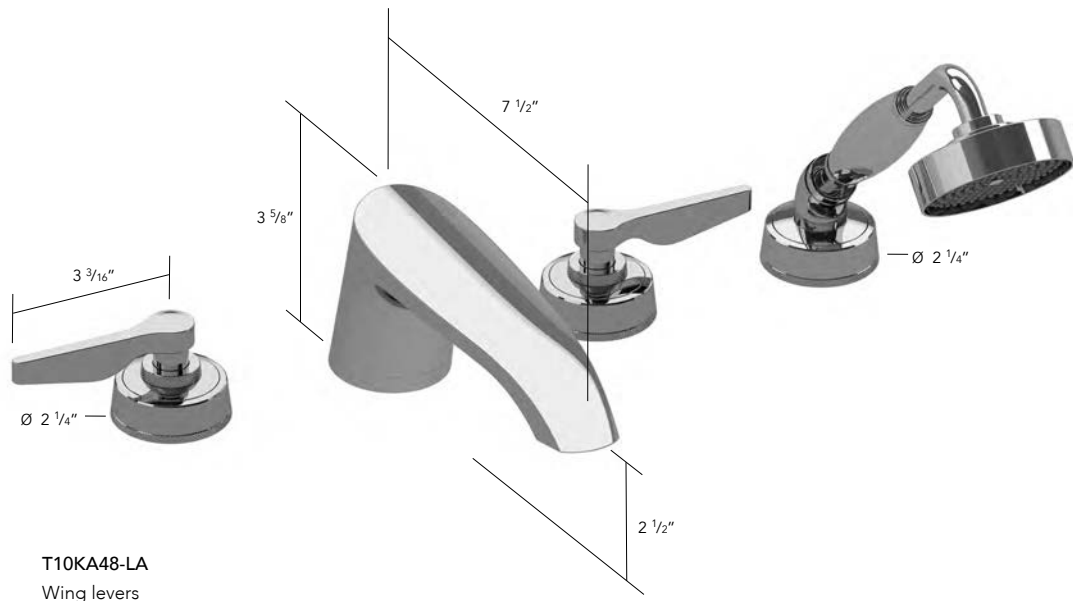
**Mass. Code Approved**

XX

\$2,226

# THE ONE HUNDRED COLLECTION Tub

## T10KA48 Deck mounted 4 hole tub filler



**T10KA48-LA**  
Wing levers



**T10KA48-LB**  
Luxe levers



**T10KA48-R**  
Roundels



**T10KA48-CCR**  
Clear crystal roundels



**T10KA48-CBR**  
Black crystal roundels

# THE ONE HUNDRED COLLECTION Tub

## Chrome Plate



**CP**  
Polished Chrome

## Band A



**PN**  
Polished Nickel



**R51**  
Polished Nickel &  
Gloss Black Chrome

## Band B



**BGM**  
Brushed Gold Matt



**SSB**  
Satin Nickel Finish  
& Matt Black Chrome



**SN(US15)**  
Satin Nickel Finish

## Band C



**CTB**  
City Bronze



**MBC**  
Matt Black  
Chrome



**E40**  
Brushed Gold Matt  
& City Bronze



**S40**  
Satin Nickel Finish  
& City Bronze

## Band D



**AG**  
Antique Gold



**B51**  
Antique Gold &  
Gloss Black Chrome

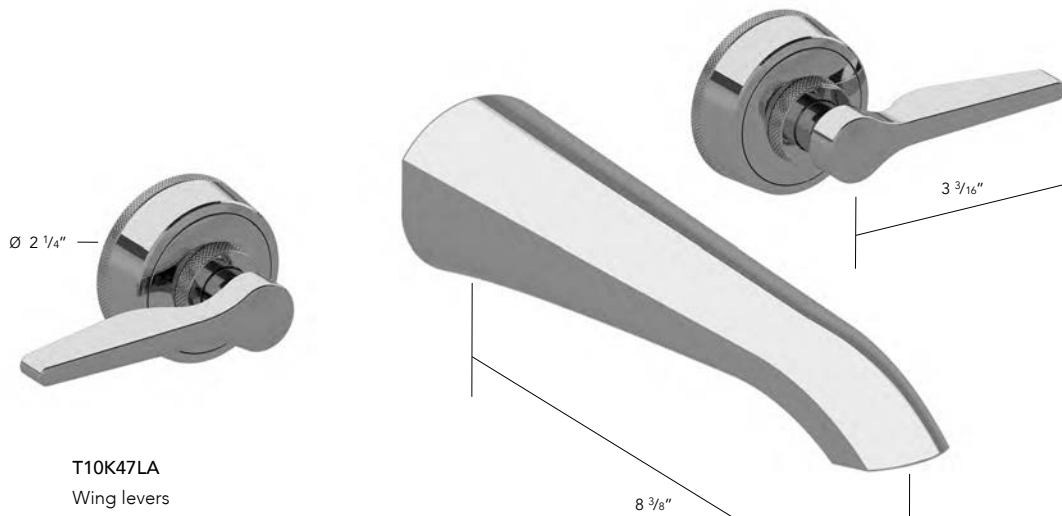
	WING & ROUNDEL	LUXE & CRYSTAL
Polished Chrome	\$5,658	\$6,262
Finish Band A	\$6,366	\$7,052
Finish Band B	\$7,072	\$7,822
Finish Band C	\$7,656	\$8,466
Finish Band D	\$8,216	\$9,090

## FITTING / APPROVALS

Feeds: 3/4" NPT  
 Max deck thickness: 2"  
 Max drill hole: 1 3/4" side valve  
 Max drill hole: 1 3/4" spout  
 Max drill hole: 1 3/4" handset

# THE ONE HUNDRED COLLECTION Tub

T10K47 Wall mounted tub filler, trim set  
*Requires V718-AIS Rough*



## FITTING / APPROVALS

Min/Max drill hole: 1 3/4"-1 7/8" side valve

Min/Max drill hole: 1 3/8"-1 1/2" spout

# THE ONE HUNDRED COLLECTION Tub

## Chrome Plate



**CP**  
Polished Chrome

## Band A



**PN**  
Polished Nickel



**R51**  
Polished Nickel &  
Gloss Black Chrome

## Band B



**BGM**  
Brushed Gold Matt



**SSB**  
Satin Nickel Finish  
& Matt Black Chrome



**SN(US15)**  
Satin Nickel Finish

## Band C



**CTB**  
City Bronze



**MBC**  
Matt Black  
Chrome



**E40**  
Brushed Gold Matt  
& City Bronze



**S40**  
Satin Nickel Finish  
& City Bronze

## Band D



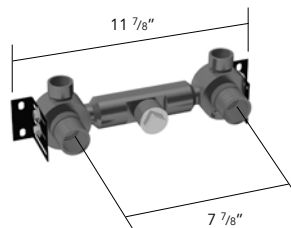
**AG**  
Antique Gold



**B51**  
Antique Gold &  
Gloss Black Chrome

	WING & ROUNDEL	LUXE & CRYSTAL
Polished Chrome	\$3,204	\$3,558
Finish Band A	\$3,620	\$4,016
Finish Band B	\$4,016	\$4,472
Finish Band C	\$4,348	\$4,826
Finish Band D	\$4,660	\$5,180

## V718-AIS Rough



## FITTING / APPROVALS

Feeds:  $\frac{3}{4}$ " female with adaptor for  $\frac{1}{2}$ " female  
 Min fitting depth: 3"  
 Max fitting depth:  $3 \frac{3}{8}$ "

XX

\$506



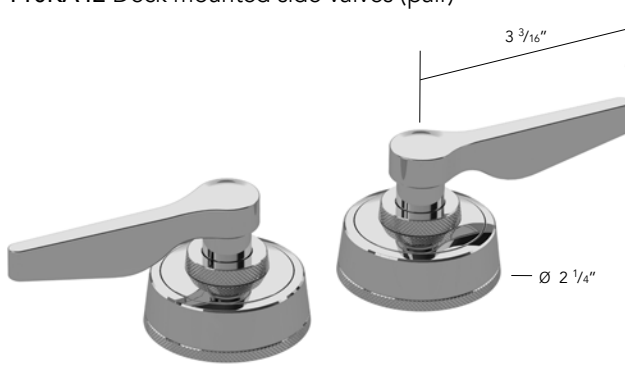
Flow <1.2 gpm

C US

C.E.C. Approved  
**Mass. Code Approved**

# THE ONE HUNDRED COLLECTION Tub

## T10KA42 Deck mounted side valves (pair)



**T10KA42LA**  
Wing levers



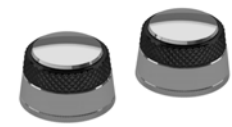
**T10KA42LB**  
Luxe levers



**T10KA42R**  
Roundels



**T10KA42CCR**  
Clear crystal roundels



**T10KA42CBR**  
Black crystal roundels

### FITTING / APPROVALS

Feeds: 3/4" NPT  
Max deck thickness: 2"  
Max drill hole: 1 3/4"

#### Chrome Plate



**CP**  
Polished Chrome

#### Band A



**PN**  
Polished Nickel



**R51**  
Polished Nickel &  
Gloss Black Chrome

#### Band B



**BGM**  
Brushed Gold Matt



**SSB**  
Satin Nickel Finish  
& Matt Black Chrome



**SN(US15)**  
Satin Nickel Finish

#### Band C



**CTB**  
City Bronze



**MBC**  
Matt Black  
Chrome



**E40**  
Brushed Gold Matt  
& City Bronze



**S40**  
Satin Nickel Finish  
& City Bronze

#### Band D



**AG**  
Antique Gold



**B51**  
Antique Gold &  
Gloss Black Chrome

#### WING & ROUNDEL

#### LUXE & CRYSTAL

Polished Chrome

\$2,642

\$3,100

Finish Band A

\$2,996

\$3,474

Finish Band B

\$3,308

\$3,870

Finish Band C

\$3,600

\$4,182

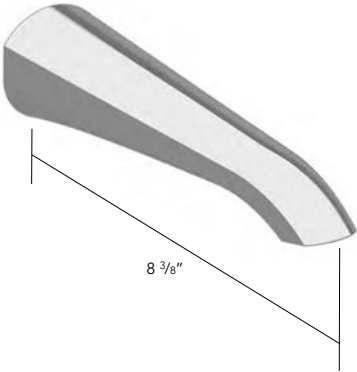
Finish Band D

\$3,848

\$4,494

THE ONE HUNDRED COLLECTION Tub

T1046 Wall mounted tub spout  
*Requires V758-AIS*

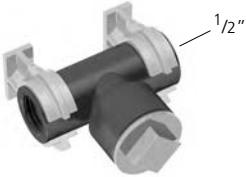


FITTING / APPROVALS

Min/Max drill hole: 1 3/8"-1 1/2"

CP	\$1,312
PN	\$1,478
BGM	\$1,664
SN(US15)	\$1,540
CTB	\$1,790
MBC	\$1,728
AG	\$1,852

V758-AIS Spout rough for T1046  
*Requires T1046*



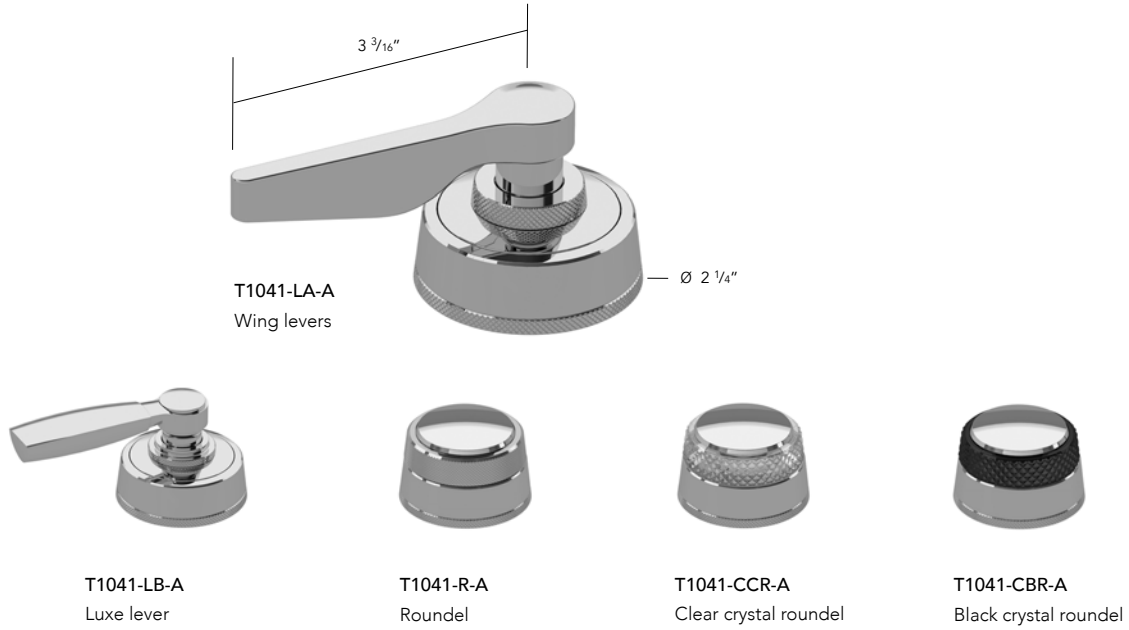
FITTING / APPROVALS

Feeds: 1/2"

XX	\$258
----	-------

# THE ONE HUNDRED COLLECTION Tub

## T1041-A Deck mounted diverter



### FITTING / APPROVALS

Feeds: 1/2" NPT  
 Max deck thickness: 2 1/4"  
 Min/Max drill hole: 1 3/4" - 2"

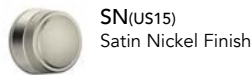
#### Chrome Plate



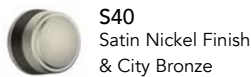
#### Band A



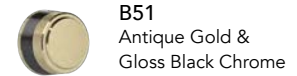
#### Band B



#### Band C



#### Band D



	WING & ROUNDDEL	LUXE & CRYSTAL
Polished Chrome	\$1,414	\$1,686
Finish Band A	\$1,622	\$1,894
Finish Band B	\$1,790	\$2,102
Finish Band C	\$1,934	\$2,288
Finish Band D	\$2,060	\$2,454

# THE ONE HUNDRED COLLECTION Tub

## T1080 Bath boss for hand shower



### FITTING / APPROVALS

Max deck thickness: 2"  
Max drill hole: 1 7/8"

CP	\$442
PN	\$486
BGM	\$558
SN(US15)	\$508
CTB	\$602
MBC	\$582
AG	\$622

## V783 Angle bracket



### FITTING / APPROVALS

Feed: 1/2"

CP	\$246
PN	\$270
BGM	\$308
SN(US15)	\$280
CTB	\$334
MBC	\$312
AG	\$344

## V165, V941, V942 Hoses



### FITTING / APPROVALS

Thread: 1/2"

	V165	V941	V942
CP	\$134	\$134	\$152
PN	\$152	\$152	\$170
BGM	\$280	\$280	\$292
SN(US15)	\$224	\$224	\$238
CTB	\$484	\$484	\$494
MBC	\$280	\$280	\$292
AG	\$312	\$312	\$324

## V654-A Easy clean hand shower



### FITTING / APPROVALS

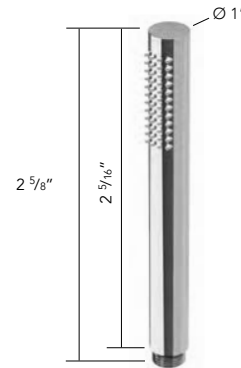
Thread: 1/2"



C.E.C. Approved  
Mass. Code Approved

CP	\$666
PN	\$732
BGM	\$838
SN(US15)	\$772
CTB	\$902
MBC	\$858
AG	\$946

## V182-A Easy clean hand shower



### FITTING / APPROVALS

Thread: 1/2"



Flow <1.8 gpm

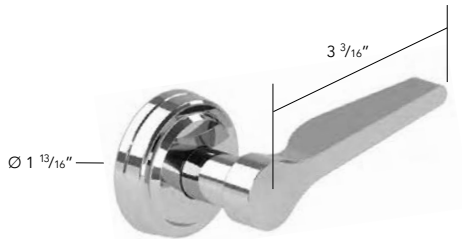


C.E.C. Approved  
Mass. Code Approved

CP	\$312
PN	\$344
BGM	\$388
SN(US15)	\$354
CTB	\$420
MBC	\$398
AG	\$424

# THE ONE HUNDRED COLLECTION Tub

## T1077-LA Toilet trip lever



T1077-LA  
Wing lever

CP	\$730
PN	\$816
BGM	\$922
SN(US15)	\$858
CTB	\$986
MBC	\$966
AG	\$1,030

## T1077-LB Toilet trip lever



T1077-LB  
Luxe lever

CP	\$902
PN	\$1,010
BGM	\$1,136
SN(US15)	\$1,050
CTB	\$1,224
MBC	\$1,180
AG	\$1,266

## FITTING / APPROVALS

Spindle = 4<sup>3</sup>/<sub>8</sub>"

*Check compatibility with toilet manufacturer*

## VA60-US 1<sup>1</sup>/<sub>4</sub>" Lavatory drain with metal plug, chain and stay



CP	\$280
PN	\$312
BGM	\$368
SN(US15)	\$324
CTB	\$368
MBC	\$368
AG	\$368

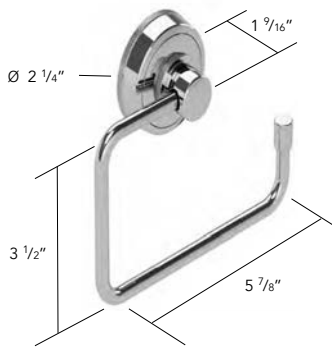
N1455-R51- Towel Rail, Polished Nickel  
with Gloss Black Chrome

---



THE ONE HUNDRED COLLECTION Accessories

N1437 Paper holder



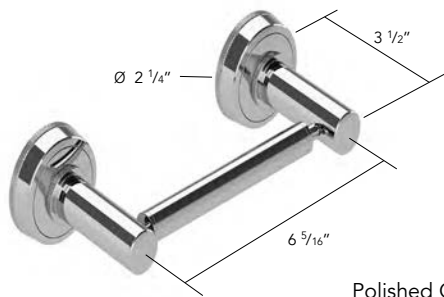
Polished Chrome	\$602
Finish Band A	\$666
Finish Band B	\$750
Finish Band C	\$816
Finish Band D	\$856

N1498-6, 8 Towel ring



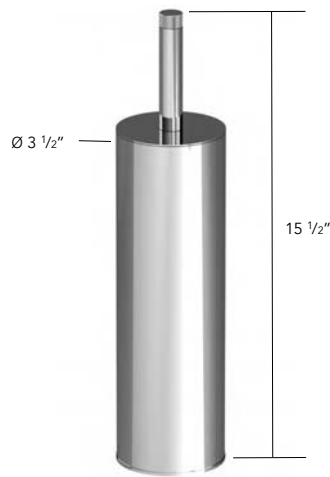
	N1498-6	N1498-8
Polished Chrome	\$462	\$492
Finish Band A	\$520	\$558
Finish Band B	\$578	\$622
Finish Band C	\$642	\$686
Finish Band D	\$666	\$708

N1452 Paper holder



Polished Chrome	\$772
Finish Band A	\$856
Finish Band B	\$966
Finish Band C	\$1,060
Finish Band D	\$1,102

L7642K Wall mounted toilet brush  
L7644K Freestanding toilet brush



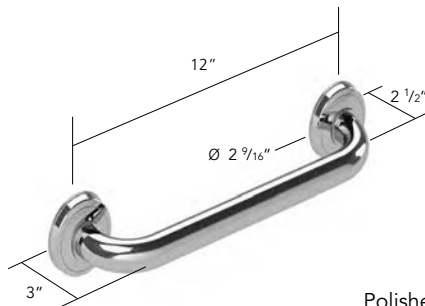
	L7642K	L7644K
Polished Chrome	\$666	\$582
Finish Band A	\$772	\$666
Finish Band B	\$880	\$772
Finish Band C	\$922	\$816
Finish Band D	\$1,102	\$1,008

N1432 Robe hook



Polished Chrome	\$462
Finish Band A	\$508
Finish Band B	\$578
Finish Band C	\$642
Finish Band D	\$666

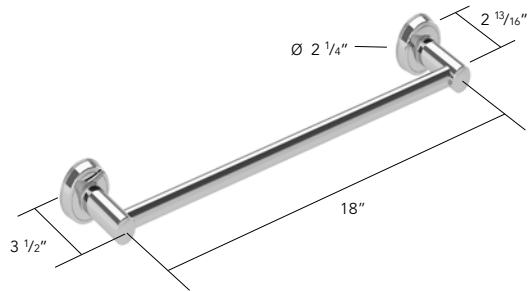
N1439-B Grab rail



Polished Chrome	\$1,416
Finish Band A	\$1,582
Finish Band B	\$1,788
Finish Band C	\$1,934
Finish Band D	\$1,996

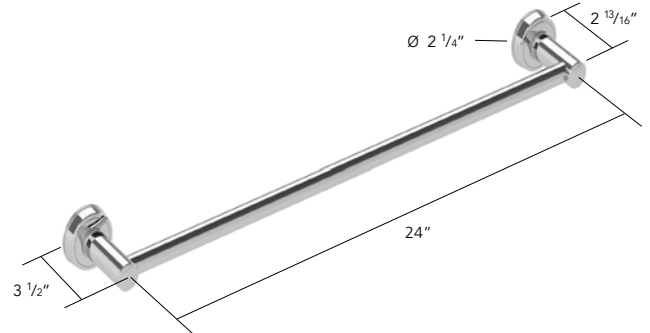
# THE ONE HUNDRED COLLECTION Accessories

## N1455 Towel rail



Polished Chrome	\$1,104
Finish Band A	\$1,124
Finish Band B	\$1,372
Finish Band C	\$1,498
Finish Band D	\$1,560

## N1455-A Towel rail



Polished Chrome	\$1,124
Finish Band A	\$1,248
Finish Band B	\$1,394
Finish Band C	\$1,540
Finish Band D	\$1,580

### Chrome Plate



### Band A



**PN**  
Polished Nickel



**R51**  
Polished Nickel &  
Gloss Black Chrome

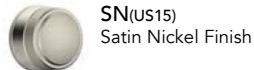
### Band B



**BGM**  
Brushed Gold Matt



**SSB**  
Satin Nickel Finish  
& Matt Black Chrome



**SN(us15)**  
Satin Nickel Finish

### Band C



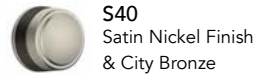
**CTB**  
City Bronze



**MBC**  
Matt Black  
Chrome



**E40**  
Brushed Gold Matt  
& City Bronze

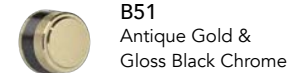


**S40**  
Satin Nickel Finish  
& City Bronze

### Band D



**AG**  
Antique Gold



**B51**  
Antique Gold &  
Gloss Black Chrome

# LMK

COLLECTION



Image courtesy of The Secret Drawer

The collection consists of two distinctive variants: Industrial with its contemporary, bold and urban styling and Pure with its well-balanced, concise and direct lines.

**LMK INDUSTRIAL**

**LMK PURE**

Both variants are available in 8 finishes including matt black chrome and a new matt lacquered Urban Brass (URM). We are also offering a range of spout heights and lengths.

**LMK INDUSTRIAL** – Pages 62 - 107

Bold and authoritative with precisely machined detailing, LMK Industrial fuses raw with refined in a celebration of contemporary design.



Industrial cross top - **XK**



Industrial lever - **LK**



Lathe wheel - **LW**



Lathe lever - **LL**

**LMK PURE** – Pages 108 - 153

With minimal embellishment and a deceptively simplistic composition, LMK Pure is neutral and balanced with concise and direct lines.



Pure cross top - **XF**



Pure lever - **LF**

Shower



V700



V707



V701  
V711



V702  
V703  
V705



V7KA6



V7KA5



V7KA7



V7B1A



V7B2A

**Lavatory and Bidet**



V7KA09LK-LH  
V7KA10LK-LH



V7KA19LK-LH



V7KA31LK-LH



V7KA09LK-RH  
V7KA10LK-RH



V7KA19LK-RH



V7KA31LK-RH

**Kitchen**



V7KA33LK



V7KA14



V7KA15



V7KA16



**Lavatory**



V7KA20-1LK-LH  
Also available V7KA20-1LK-RH right handed  
Also available without plate



V7KA20-2LK-LH  
Also available V7KA20-2LK-RH right handed  
Also available without plate



V7KA20-3LK-LH  
Also available V7KA20-3LK-RH right handed  
Also available without plate



V7K17-1



V7K17-2



V7K17-3



**Tub**



V7KA37LK



V7KA38-1LK



V7KA38-2LK



V7KA39-1LK



V7KA39-2LK



V7K36LK



V7KA48-1



V7KA48-2



**Tub**



V7K35-1LK-LH  
Also available V7K35-1LK-RH right handed  
Also available without plate



V7K35-2LK-LH  
Also available V7K35-2LK-RH right handed  
Also available without plate



V7K43-1LK  
Also available without plate



V7K43-2LK  
Also available without plate



V7KA44-1



V7KA44-2



V7K47-1



V7K47-2



V7KA41-LK



**W.C.**

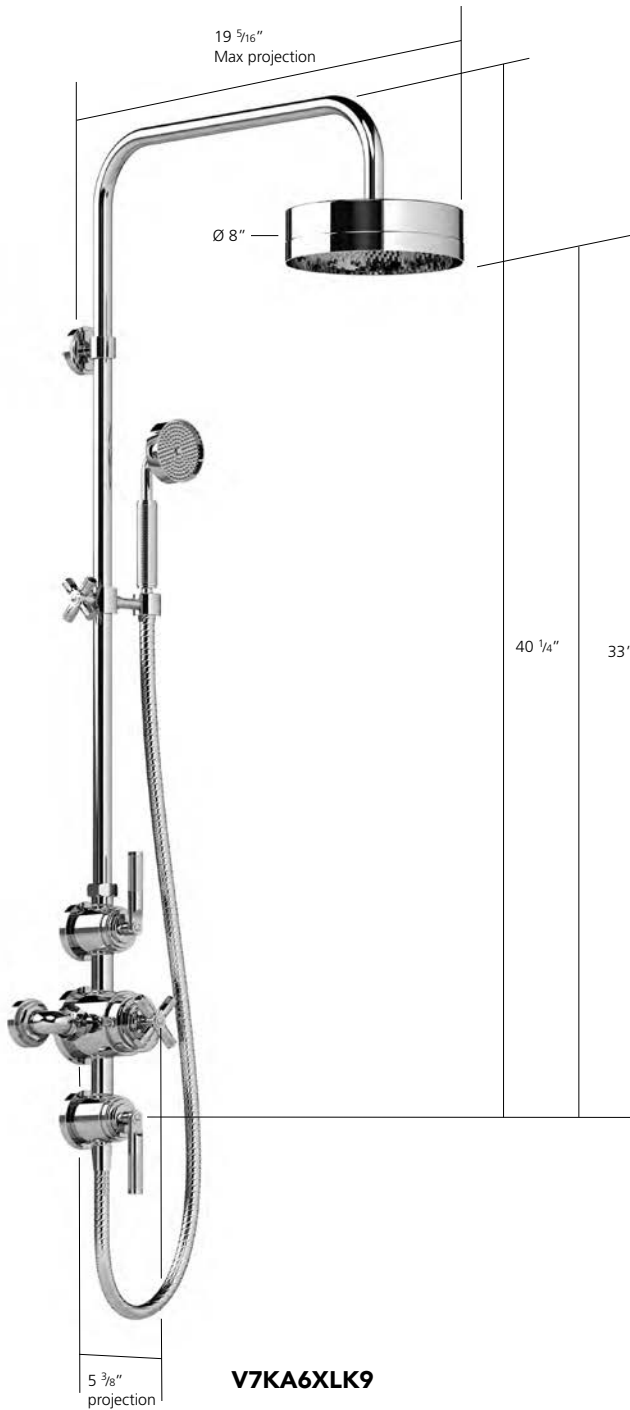


V777

**LMK - Industrial is available to Approved, displaying dealers only.**  
Includes water saving and low lead faucets.  
For accessories see pages 106 - 107

# LMK INDUSTRIAL Shower

## V7KA6 Exposed 1/2" thermostatic shower set



V7KA6LLK9



V7KA6LLL9



V7KA6WLL9

### Available finishes



CP  
chrome plate



PN  
polished nickel



URB  
urban brass



SSB  
satin nickel with  
matt black chrome



SN(us15)  
satin nickel finish



NL  
non lacquered



URM  
urban brass  
matt lacquered



MBC  
matt black chrome



CTB  
city bronze

### Fitting / Approvals

Feeds: 1/2"

Centers: 8"

Height extensions are available, please contact our sales office

V740 valve and V722 volume controls NSF approval pending

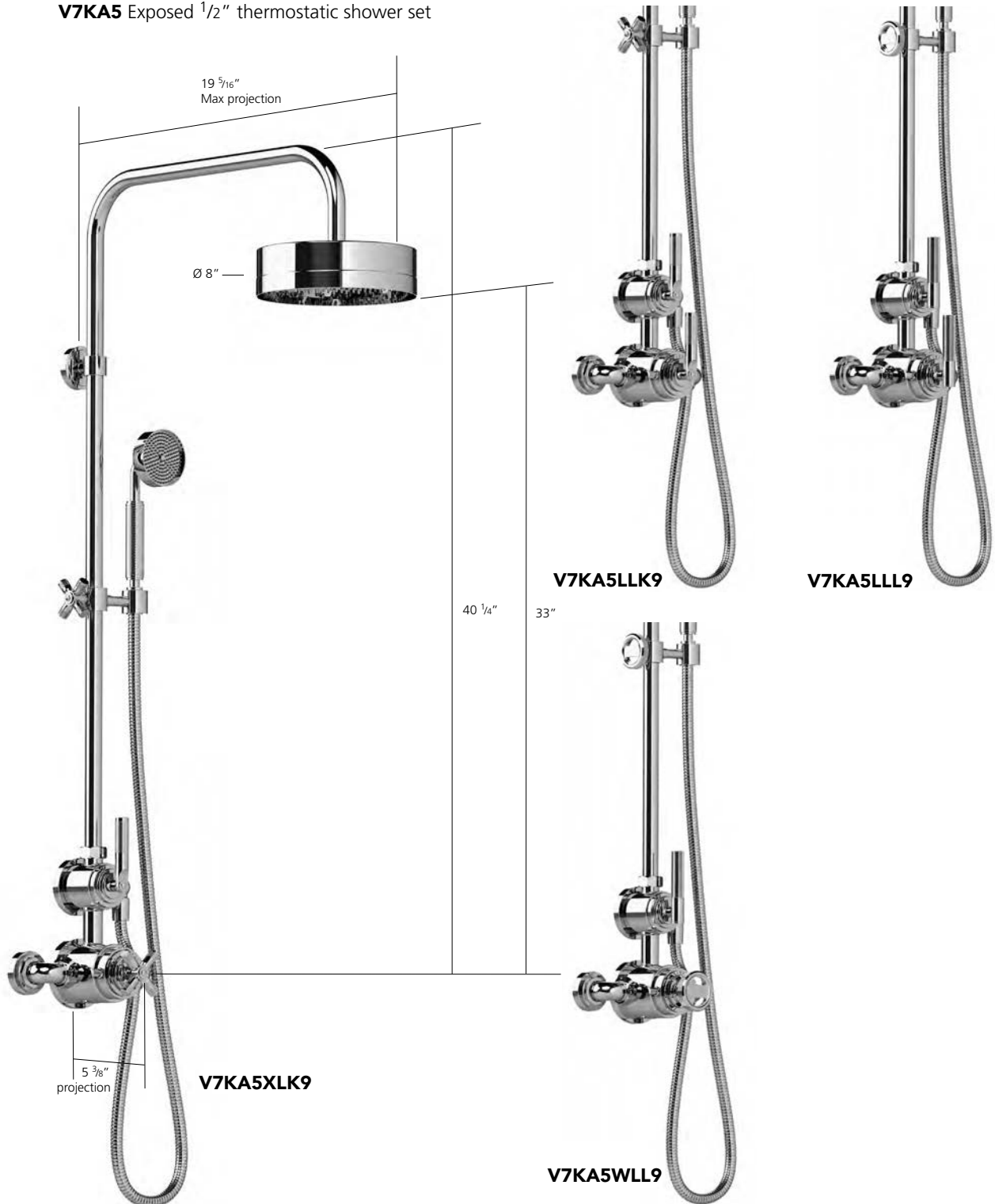
For swivel ball joint for shower head, order V987 on page 80

### Finishes

CP	\$11,400
PN	\$12,544
URB	\$13,354
SSB/SN	\$13,688
NL	\$13,688
URM	\$14,456
MBC	\$14,936
CTB	\$15,684

# LMK INDUSTRIAL Shower

## V7KA5 Exposed 1/2" thermostatic shower set



### Available finishes



**CP**  
chrome plate



**PN**  
polished nickel



**URB**  
urban brass



**SSB**  
satin nickel with  
matt black chrome



**SN(US15)**  
satin nickel finish



**NL**  
non lacquered



**URM**  
urban brass  
matt lacquered



**MBC**  
matt black chrome



**CTB**  
city bronze

### Fitting / Approvals

**Feeds:** 1/2"

**Centers:** 8"

*Height extensions are available, please contact our sales office*

V740 valve and V722 volume controls NSF approval pending

For swivel ball joint for shower head, order V987 on page 80

### Finishes

<b>CP</b>	\$10,400
<b>PN</b>	\$11,462
<b>URB</b>	\$12,210
<b>SSB/SN</b>	\$12,502
<b>NL</b>	\$12,502
<b>URM</b>	\$13,208
<b>MBC</b>	\$13,624
<b>CTB</b>	\$14,352

# LMK INDUSTRIAL Shower

**V7KA7XLK9** Exposed 1/2" thermostatic shower set



**V7KA7LLK9**



**V7KA7LLL9**



**V7KA7WLL9**

### Available finishes



**CP**  
chrome plate



**PN**  
polished nickel



**URB**  
urban brass



**SSB**  
satin nickel with  
matt black chrome



**SN(us15)**  
satin nickel finish



**NL**  
non lacquered



**URM**  
urban brass  
matt lacquered



**MBC**  
matt black chrome



**CTB**  
city bronze

Fitting / Approvals	Finishes
---------------------	----------

**Feeds:** 1/2"

**Centers:** 8"

Height extensions are available, please contact our sales office  
For swivel ball joint for shower head, order V987 on page 80

<b>CP</b>	\$8,238
<b>PN</b>	\$9,070
<b>URB</b>	\$9,632
<b>SSB/SN</b>	\$9,840
<b>NL</b>	\$9,840
<b>URM</b>	\$10,380
<b>MBC</b>	\$10,692
<b>CTB</b>	\$11,128

# LMK INDUSTRIAL Shower

**V7B2AXLK9** 1/2" Concealed thermostatic shower, 2 volume controls  
 includes V663-A easy clean shower head and V754-AK handshower.  
 Requires V135-AIS concealed valve



**V7B2AXLK9**



**V7B2AWLL9**

### Available finishes



**CP**  
chrome plate



**PN**  
polished nickel



**URB**  
urban brass



**SSB**  
satin nickel with  
matt black chrome



**SN(us15)**  
satin nickel finish



**NL**  
non lacquered



**URM**  
urban brass  
matt lacquered



**MBC**  
matt black chrome



**CTB**  
city bronze

### Fitting / Approvals

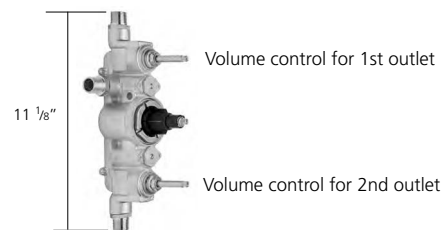
**Feeds:** 1/2" NPT  
**Projection of valve:** 1 3/4"  
 Extension kits are available.  
 For swivel ball joint for shower head, order V987 on page 80

### Finishes

<b>CP</b>	\$7,572
<b>PN</b>	\$8,342
<b>URB</b>	\$8,966
<b>SSB/SN</b>	\$9,048
<b>NL</b>	\$9,048
<b>URM</b>	\$9,672
<b>MBC</b>	\$9,964
<b>CTB</b>	\$10,546

### V135-AIS Concealed thermostatic valve - rough

Requires V7B1AXLK9 This valve has 2 controlled outlets which can operate simultaneously



### Fitting / Approvals

**Feeds:** 1/2" NPT  
**Fitting depth:** Min 4 1/4" - Max 4 11/16"  
 from finished tiled surface to rear of fixing,  
 when used with LMK.



### Finishes

<b>XX</b>	\$1,498
-----------	---------

Extension kits are available V135-EXT adding 1" to fitting depth. If necessary more than one extension kit can be used. Please see page 307 for pricing.

**Mass. Code Approved.**

# LMK INDUSTRIAL Shower

**V7B1AXLK9** 1/2" Concealed thermostatic shower, 2 volume controls  
 includes V663 easy clean shower head and V754 handshower.  
 Requires V135-AIS concealed valve



**V7B1AXLK9**

**V7B1AWLL9**

### Available finishes



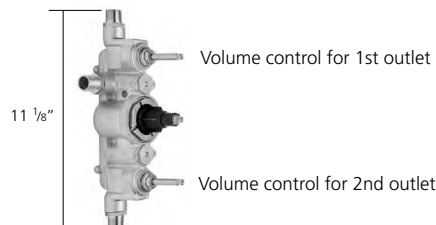
### Fitting / Approvals

**Feeds:** 1/2" NPT  
**Projection of valve:** 1 3/4"  
 Extension kits are available.  
 For swivel ball joint for shower head, order V987 on page 80

### Finishes

<b>CP</b>	\$8,362
<b>PN</b>	\$9,278
<b>URB</b>	\$9,880
<b>SSB/SN</b>	\$10,068
<b>NL</b>	\$10,068
<b>URM</b>	\$10,650
<b>MBC</b>	\$10,920
<b>CTB</b>	\$11,524

**V135-AIS** Concealed thermostatic valve - rough  
 Requires V7B1AXLK9 This valve has 2 controlled outlets which can operate simultaneously



### Fitting / Approvals

**Feeds:** 1/2" NPT  
**Fitting depth:** Min 4 1/4" - Max 4 11/16"  
 from finished tiled surface to rear of fixing, when used with LMK.  
 Extension kits are available V135-EXT adding 1" to fitting depth. If necessary more than one extension kit can be used.  
 Please see page 307 for pricing.

**Mass. Code Approved**



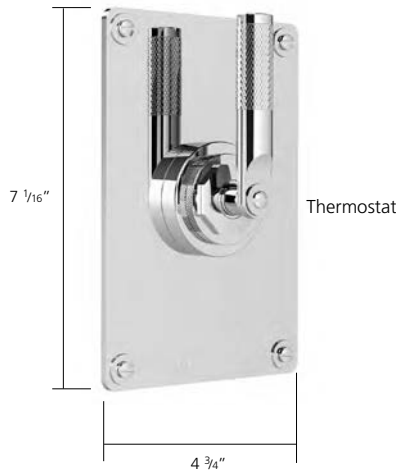
### Finishes

<b>XX</b>	\$1,498
-----------	---------

# LMK INDUSTRIAL Shower

## V700-T Trim set for V133-AIS thermostatic valve

Requires V133-AIS



V700-TLK



V700-TLL



V700-TXK



V700-TLW

### Available finishes



CP  
chrome plate



PN  
polished nickel



URB  
urban brass



SSB  
satin nickel with  
matt black chrome



SN(us15)  
satin nickel finish



NL  
non lacquered



URM  
urban brass  
matt lacquered



MBC  
matt black chrome



CTB  
city bronze

### Fitting / Approvals

Projection: 1 3/4"

Options: V707 Volume control

Mass. Code Approved

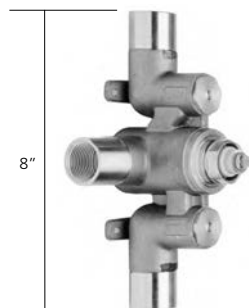


### Finishes

CP	\$2,248
PN	\$2,476
URB	\$2,600
SSB/SN	\$2,704
NL	\$2,704
URM	\$2,808
MBC	\$2,934
CTB	\$3,038

## V133-AIS Concealed thermostatic valve - rough

Requires V700-T. This valve has 2 open outlets. Use V707 for each



### Fitting / Approvals

Feeds: 3/4" NPT

Fitting depth: Min 4" - Max 4 1/2"

from finished tiled surface to rear of fixing, when used with LMK.



### Finishes

XX	\$922
----	-------

Extension kits are available V133-EXT adding 1" to fitting depth. If necessary more than one extension kit can be used.

Please see page 307 for pricing.

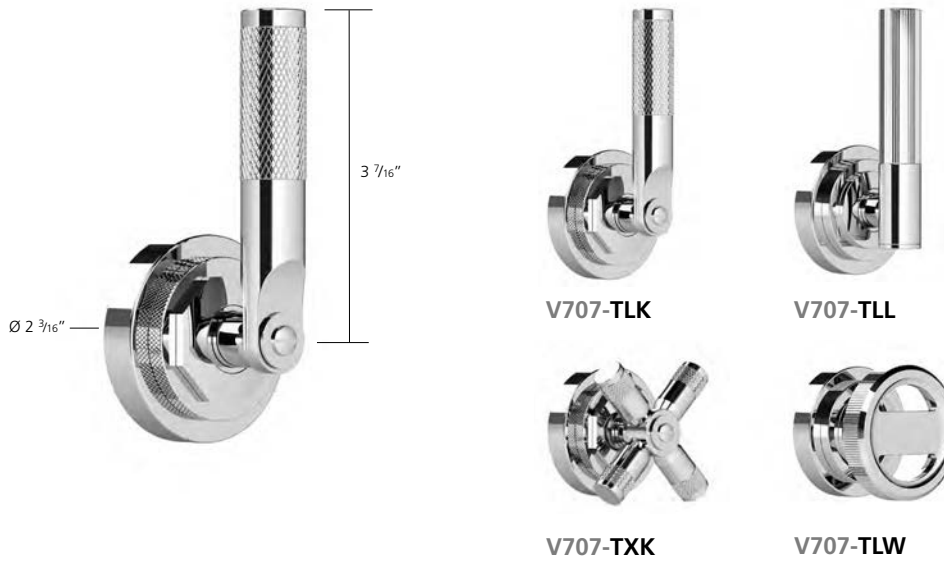
Further outlets can be configured.

Mass. Code Approved

# LMK INDUSTRIAL Shower

## V707-T Trim set for V607-AIS volume control

Requires V607-AIS



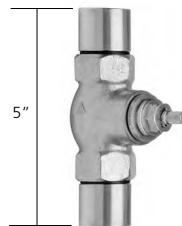
### Available finishes





Fitting / Approvals	Finishes																
<p><b>Projection:</b> 1 9/16"</p> <p><b>Mass. Code Approved.</b></p>	<table border="0"> <tr><td><b>CP</b></td><td>\$1,186</td></tr> <tr><td><b>PN</b></td><td>\$1,290</td></tr> <tr><td><b>URB</b></td><td>\$1,352</td></tr> <tr><td><b>SSB/SN</b></td><td>\$1,416</td></tr> <tr><td><b>NL</b></td><td>\$1,416</td></tr> <tr><td><b>URM</b></td><td>\$1,478</td></tr> <tr><td><b>MBC</b></td><td>\$1,540</td></tr> <tr><td><b>CTB</b></td><td>\$1,582</td></tr> </table>	<b>CP</b>	\$1,186	<b>PN</b>	\$1,290	<b>URB</b>	\$1,352	<b>SSB/SN</b>	\$1,416	<b>NL</b>	\$1,416	<b>URM</b>	\$1,478	<b>MBC</b>	\$1,540	<b>CTB</b>	\$1,582
<b>CP</b>	\$1,186																
<b>PN</b>	\$1,290																
<b>URB</b>	\$1,352																
<b>SSB/SN</b>	\$1,416																
<b>NL</b>	\$1,416																
<b>URM</b>	\$1,478																
<b>MBC</b>	\$1,540																
<b>CTB</b>	\$1,582																

## V607-AIS Concealed volume control - rough

Requires V707-T



Fitting / Approvals	Finishes		
<p><b>Feeds:</b> 3/4" NPT</p> <p><b>Fitting depth:</b> Min 2 3/8" - Max 2 3/4" from finished tiled surface to center, when used with LMK.</p>  	<table border="0"> <tr><td><b>XX</b></td><td>\$220</td></tr> </table>	<b>XX</b>	\$220
<b>XX</b>	\$220		

Extension kits are available V207-EXT adding 1" to fitting depth. If necessary more than one extension kit can be used. Please see page 307 for pricing.

**CALGreen:** Compliant when used with our C.E.C. shower heads or hand showers.

**Mass. Code Approved**

# LMK INDUSTRIAL Shower

**V701-T** Trim set for V134-AIS thermostatic valve  
*Requires V134-AIS*



**V701-TLK**



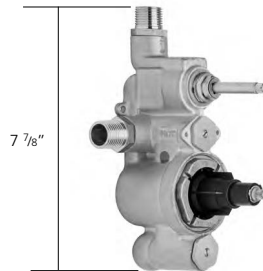
**V701-TLL**

**Available finishes**



Fitting / Approvals		Finishes	
<b>Projection:</b> 1 3/4" <b>Mass. Code Approved</b>		<b>CP</b> \$3,184 <b>PN</b> \$3,496 <b>URB</b> \$3,662 <b>SSB/SN</b> \$3,828 <b>NL</b> \$3,828 <b>URM</b> \$3,994 <b>MBC</b> \$4,140 <b>CTB</b> \$4,286	

**V134-AIS** Concealed thermostatic valve - rough  
*Requires V701-TLK. This valve has 1 controlled outlet*

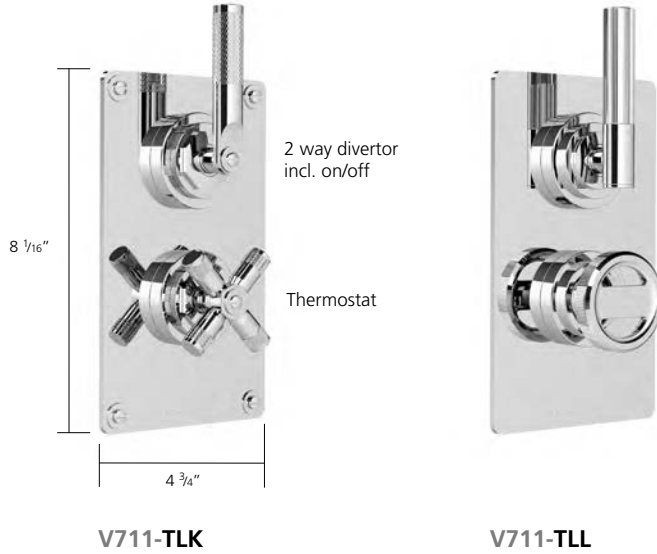


Fitting / Approvals		Finishes	
<b>Feeds:</b> 1/2" NPT 3/4" Valves are available upon request please contact us for pricing and dimensions. <b>Fitting depth:</b> Min 4 1/4" - Max 4 11/16" from finished tiled surface to rear of fixing, when used with LMK.  Extension kits are available V134-EXT adding 1" to fitting depth. If necessary more than one extension kit can be used. Please see page 307 for pricing. <b>CALGreen:</b> Compliant when used with our C.E.C. shower heads or hand showers. <b>Mass. Code Approved</b>		<b>XX</b> \$1,124	

# LMK INDUSTRIAL Shower

## V711-T Trim set for V111-AIS thermostatic valve

Requires V111-AIS



### Available finishes



### Fitting / Approvals

Projection: 1 3/4"  
Mass. Code Approved

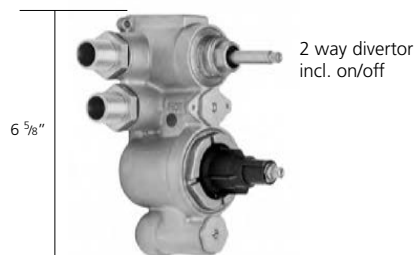


### Finishes

CP	\$3,204
PN	\$3,516
URB	\$3,682
SSB/SN	\$3,848
NL	\$3,848
URM	\$4,016
MBC	\$4,160
CTB	\$4,328

## V111-AIS Concealed thermostatic valve - rough

Requires V711-TLK. This valve has a 2-way divertor



### Fitting / Approvals

Feeds: 1/2" NPT  
Fitting depth: Min 4 1/4" - Max 4 5/8"  
from finished tiled surface to rear of fixing,  
when used with LMK.



### Finishes

XX	\$1,208
----	---------

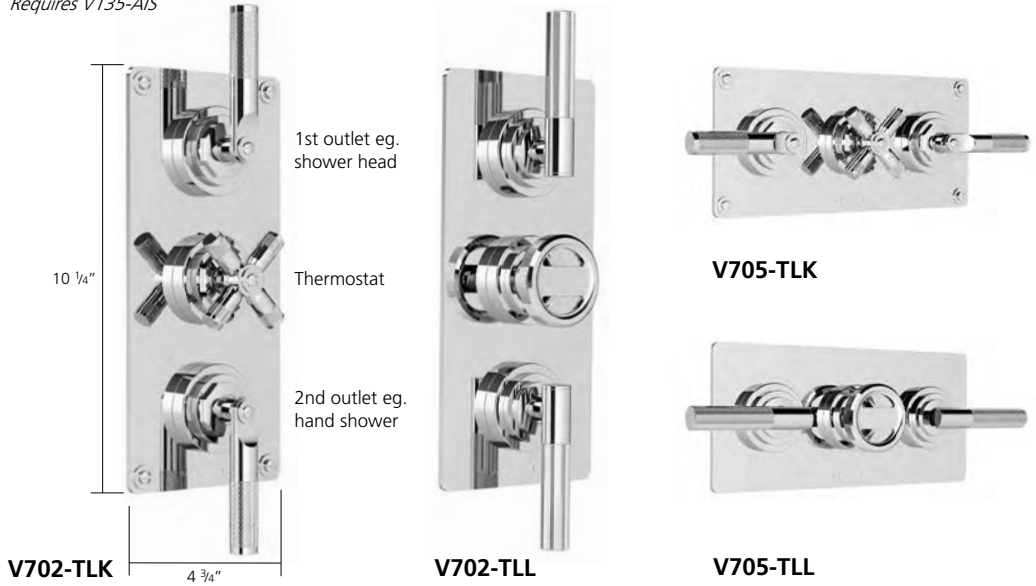
Extension kits are available V111-EXT  
adding 1" to fitting depth. If necessary  
more than one extension kit can be used.  
Please see page 307 for pricing.

**CALGreen:** Compliant when used with our  
C.E.C. shower heads or hand showers.

**Mass. Code Approved**

# LMK INDUSTRIAL Shower

**V702-T, V705-T** Trim set for V135-AIS thermostatic valve - 2 separate volume controls  
*Requires V135-AIS*

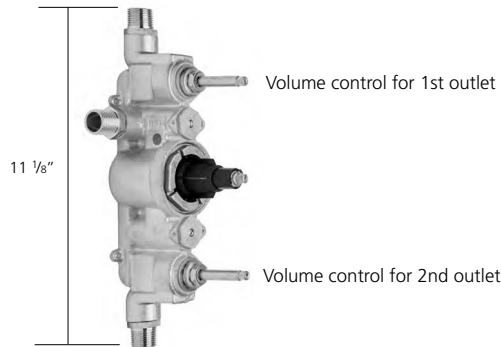


**Available finishes**



Fitting / Approvals		Finishes	
<b>Projection:</b> 1 3/4" <b>Mass. Code Approved</b>		<b>V702-TLK</b>	<b>V705-TLK</b>
		<b>CP</b>	\$4,348
		<b>PN</b>	\$4,784
		<b>URB</b>	\$4,992
		<b>SSB/SN</b>	\$5,200
		<b>NL</b>	\$5,200
		<b>URM</b>	\$5,430
		<b>MBC</b>	\$5,638
		<b>CTB</b>	\$5,866

**V135-AIS** Concealed thermostatic valve - rough  
*Requires V702-TLK or V705-TLK. This valve has 2 controlled outlets which can operate simultaneously*



Fitting / Approvals		Finishes	
<b>Feeds:</b> 1/2" NPT <b>Fitting depth:</b> Min 4 1/4" - Max 4 11/16" from finished tiled surface to rear of fixing, when used with LMK.		<b>XX</b>	<b>\$1,498</b>

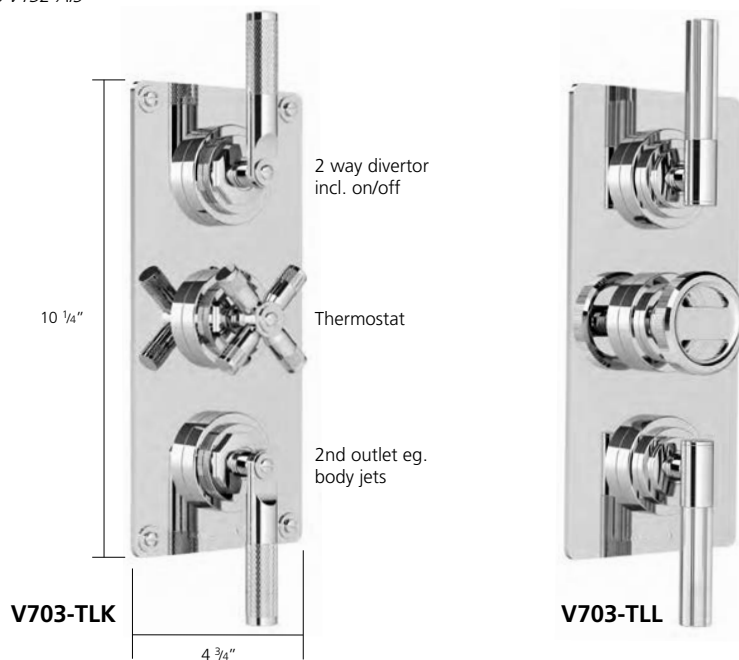
Extension kits are available V135-EXT adding 1" to fitting depth. If necessary more than one extension kit can be used. Please see page 307 for pricing.

**Mass. Code Approved**

# LMK INDUSTRIAL Shower

## V703-T Trim set for V132-AIS thermostatic valve - 2- way diverter with volume control for 3rd outlet

Requires V132-AIS



### Available finishes



### Fitting / Approvals

Projection: 1 3/4"  
Mass. Code Approved

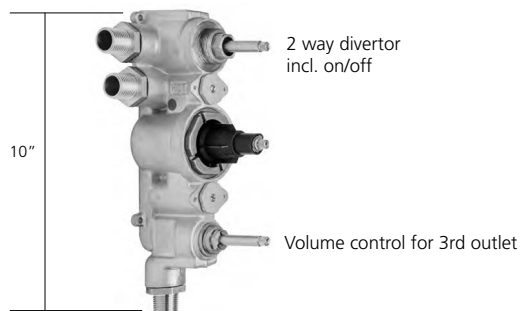


### Finishes

CP	\$4,348
PN	\$4,784
URB	\$4,992
SSB/SN	\$5,200
NL	\$5,200
URM	\$5,430
MBC	\$5,638
CTB	\$5,866

## V132-AIS Concealed thermostatic valve - rough

Requires V703-TLK. This valve has a two-way diverter plus an extra controlled outlet giving 3 options



### Fitting / Approvals

Feeds: 3/4" NPT  
Fitting depth: Min 4 1/4" - Max 4 5/8"  
from finished tiled surface to rear of fixing,  
when used with LMK.



### Finishes

XX	\$1,602
----	---------

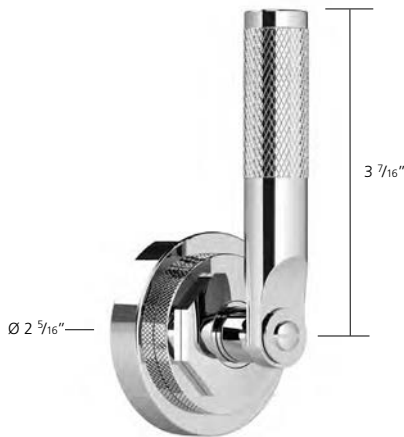
Extension kits are available V132-EXT  
adding 1" to fitting depth. If necessary  
more than one extension kit can be used.  
Please see page 307 for pricing.

Mass. Code Approved

# LMK INDUSTRIAL Shower

## V768-T Trim set for V168-AIS concealed 3 way divertor

Requires V168-AIS



V768-TLK



V768-TLL



V768-TXK



V768-TLW

### Available finishes



CP  
chrome plate



PN  
polished nickel



URB  
urban brass



SSB  
satin nickel with  
matt black chrome



SN(us15)  
satin nickel finish



NL  
non lacquered



URM  
urban brass  
matt lacquered



MBC  
matt black chrome



CTB  
city bronze

### Fitting / Approvals

Projection: 1 9/16"

Mass. Code Approved



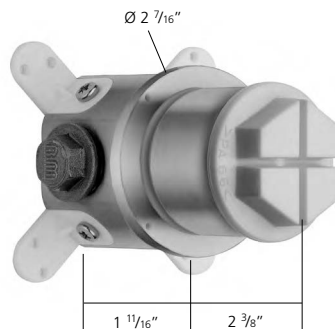
### Finishes

CP	\$1,186
PN	\$1,290
URB	\$1,352
SSB/SN	\$1,416
NL	\$1,416
URM	\$1,478
MBC	\$1,540
CTB	\$1,602

## V168-AIS Concealed 3-way divertor rough

Requires V768-T

- One inlet, three outlets (one can be closed off)
- Divertor does not share water channels



### Fitting / Approvals

Inlet & outlets: 1/2" NPT

Fitting depth: Min 4 1/8" - Max 4 1/2"  
from finished tiled surface to rear of fixing,  
when used with LMK.



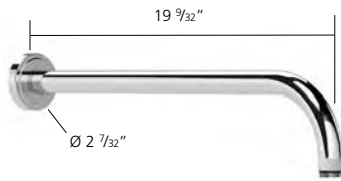
### Finishes

XX	\$720
----	-------

**CALGreen:** Compliant when used with our C.E.C. shower heads or hand showers. Can be used for deck mounting providing the unit is supported sufficiently.

Mass. Code Approved

**V762-A** 1/2" Overhead shower arm



Fitting / Approvals	Finishes		
Feed: 1/2" NPT	<b>CP</b>	\$838	
	<b>PN</b>	\$922	
	<b>URB</b>	\$966	
	<b>SN/NL</b>	\$966	
	<b>URM</b>	\$1,062	
	<b>MBC</b>	\$1,104	
	<b>CTB</b>	\$1,144	

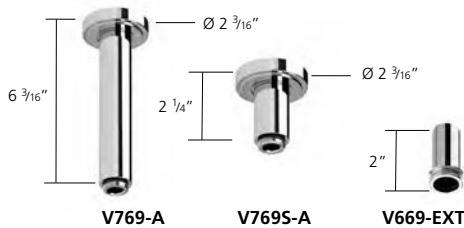
**V663-A, V663-B** 8" Easy clean shower head

For swivel ball joint order V987 see page 80



Fitting / Approvals	Flow rates	Finishes	
Thread: 1/2"	 Flow < 1.8 gpm Min. 45 psi	<b>CP</b>	\$838
 C.E.C. Approved Mass. Code Approved		<b>PN</b>	\$946
		V663-B Higher flow rate (2.5gpm) also available (not approved)	<b>URB</b>
		<b>SN/NL</b>	\$1,144
		<b>URM</b>	\$1,144
		<b>MBC</b>	\$1,124
		<b>CTB</b>	\$1,144

**V769-A, V769S-A, V669-EXT** 1/2" Ceiling tube for shower head



- V669-EXT extension piece can replace the 6 3/16" tube to give a 2" projection for fitting close to ceiling
- More than one V669-EXT extension pieces can be used

Fitting / Approvals	Finishes		
Feed: 1/2" NPT	<b>V769-A</b>	<b>V769S-A</b>	<b>V669-EXT</b>
	<b>CP</b>	\$420	\$324
	<b>PN</b>	\$462	\$368
	<b>URB</b>	\$474	\$378
	<b>SN/NL</b>	\$474	\$378
	<b>URM</b>	\$516	\$408
	<b>MBC</b>	\$538	\$430
	<b>CTB</b>	\$558	\$228

**V665-A, V665-B** 12" Easy clean shower head

For swivel ball joint order V987 see page 80

Due to its weight this product is best used with a ceiling tube.  
If used with exposed pipework additional support brackets will be required.



Some nozzles may not give full flow due to the strict limitations of flow required by C.E.C.

Fitting / Approvals	Flow rates	Finishes	
Thread: 1/2"	 Flow < 1.8 gpm Min. 45 psi	<b>CP</b>	\$1,582
 C.E.C. Approved Mass. Code Approved		<b>PN</b>	\$1,748
		V665-B Higher flow rate (2.5gpm) also available (not approved)	<b>URB</b>
		<b>SN/NL</b>	\$1,790
		<b>URM</b>	\$1,956
		<b>MBC</b>	\$2,060
		<b>CTB</b>	\$2,102

**V779-A, V779-B** Adjustable, 6-jet easy clean shower head



Fitting / Approvals	Flow rates	Finishes	
Feed: 1/2" NPT	 V779-B Higher flow rate (2.5gpm) also available (not Approved)	<b>CP</b>	\$976
 C.E.C. Approved Mass. Code Approved		<b>PN</b>	\$1,082
			<b>URB</b>
		<b>SN/NL</b>	\$1,144
		<b>URM</b>	\$1,228
		<b>MBC</b>	\$1,270
		<b>CTB</b>	\$1,332

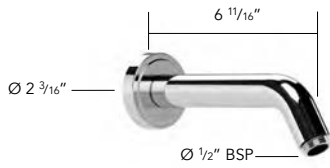
**V779-8A, V779-8B** Adjustable, 8-jet easy clean shower head



Fitting / Approvals	Flow rates	Finishes	
Feed: 1/2" NPT	 V779-8B Higher flow rate (2.5gpm) also available (not approved)	<b>CP</b>	\$1,062
Approval pending		<b>PN</b>	\$1,166
			<b>URB</b>
		<b>SN/NL</b>	\$1,228
		<b>URM</b>	\$1,332
		<b>MBC</b>	\$1,374
		<b>CTB</b>	\$1,436

# LMK INDUSTRIAL Shower

## V779ARM-A Arm and rose



Fitting / Approvals	Flow rates	Finishes	
Thread: 1/2"		<b>CP</b>	\$530
		<b>PN</b>	\$584
		<b>URB</b>	\$610
		<b>SN/NL</b>	\$610
		<b>URM</b>	\$662
		<b>MBC</b>	\$690
		<b>CTB</b>	\$716

## V189 12" Easy clean shower head

Due to its weight this product is best used with a ceiling tube.  
If used with exposed pipework additional support brackets will be required.



Some nozzles may not give full flow due to the strict limitations of flow required by C.E.C.

Fitting / Approvals	Flow rates	Finishes	
Thread: 1/2"		<b>CP</b>	\$1,478
		<b>PN</b>	\$1,624
		<b>SN/NL</b>	\$1,706

## V178-A, V178-B 8" Easy clean shower head



Fitting / Approvals	Flow rates	Finishes	
Thread: 1/2"		<b>CP</b>	\$494
	Flow < 1.8 gpm Min. 45 psi V178-B Higher flow rate (2.5gpm) also available (not approved)	<b>PN</b>	\$602
		<b>URB</b>	\$1,010
		<b>SN/NL</b>	\$732
		<b>URM</b>	\$1,010
		<b>MBC</b>	\$720
<b>CTB</b>	\$1,010		
<b>C.E.C. Approved Mass. Code Approved</b>			

## V198 4 3/4" Dual function easy clean shower head



Fitting / Approvals	Flow rates	Finishes	
Thread: 1/2"		<b>CP</b>	\$442
	Min. 45 psi		

## V188 8" Easy clean shower head



Fitting / Approvals	Flow rates	Finishes	
Thread: 1/2"		<b>CP</b>	\$1,010
	Min. 45 psi	<b>PN</b>	\$1,124
		<b>SN/NL</b>	\$1,166

## V378 8" Square easy clean shower head



Fitting / Approvals	Flow rates	Finishes	
Thread: 1/2"		<b>CP</b>	\$1,352
	Min. 45 psi	<b>PN</b>	\$1,498
		<b>SN/NL</b>	\$1,560

## V379 12" Square easy clean shower head

Due to its weight this product is best used with a ceiling tube.  
If used with exposed pipework additional support brackets will be required.



Some nozzles may not give full flow due to the strict limitations of flow required by C.E.C.

Fitting / Approvals	Flow rates	Finishes	
Thread: 1/2"		<b>CP</b>	\$1,832
		<b>PN</b>	\$2,018
		<b>SN/NL</b>	\$2,102

# LMK INDUSTRIAL Shower

## V987 Swivel ball joint

For use with V663-A and V665-A shower heads.



Fitting / Approvals	Finishes
Thread: 1/2"	CP \$88
	PN \$102
	URB \$116
	SN/NL \$116
	URM \$126
	MBC \$162
	CTB \$172

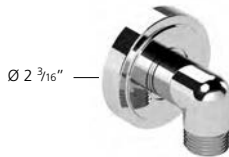


## V766-A Combined wall outlet / bracket



Fitting / Approvals	Finishes
Feed: 1/2"	CP \$258
	PN \$280
	URB \$302
	SN/NL \$302
	URM \$344
	MBC \$344
	CTB \$354

## V764-A Wall outlet



Fitting / Approvals	Finishes
Feed: 1/2" NPT	CP \$228
	PN \$248
	URB \$258
	SN/NL \$258
	URM \$280
	MBC \$292
	CTB \$302

## V780-K Tub boss for hand shower



Finishes
CP \$408
PN \$452
URB \$474
SSB/SN/NL \$494
URM \$516
MBC \$538
CTB \$558

## V783 Angle bracket



Fitting / Approvals	Finishes
Feed: 1/2"	CP \$246
	PN \$270
	URB \$280
	SN/NL \$280
	URM \$302
	MBC \$312
	CTB \$334

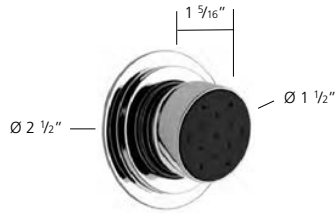
## V767 Wall bracket



Finishes
CP \$408
PN \$452
URB \$474
SN/NL \$474
URM \$506
MBC \$528
CTB \$548

# LMK INDUSTRIAL Shower

## V276-A Body jet (high flow)



Fitting / Approvals	Finishes	
Feed: 1/2"	<b>CP</b>	\$592
	<b>PN</b>	\$688
	<b>URB</b>	\$806
	<b>SN/NL</b>	\$688
	<b>URM</b>	\$838
	<b>MBC</b>	\$772
	<b>CTB</b>	\$858

## V176-A 1/2" Body jet



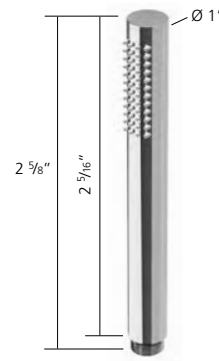
Fitting / Approvals	Finishes	
Feed: 1/2"	<b>CP</b>	\$302
	<b>PN</b>	\$378
	<b>URB</b>	\$442
	<b>SN/NL</b>	\$442
	<b>URM</b>	\$484
	<b>MBC</b>	\$538
	<b>CTB</b>	\$666

## V165, V941, V942 Hoses



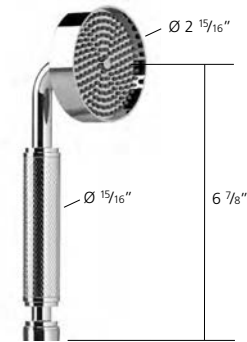
Fitting / Approvals	Finishes			
Thread: 1/2"	<b>V165</b>	<b>V941</b>	<b>V942</b>	
	<b>CP</b>	\$134	\$134	\$152
	<b>PN</b>	\$152	\$152	\$170
	<b>URB</b>	\$224	\$224	\$238
	<b>SN/NL</b>	\$224	\$224	\$238
	<b>URM</b>	\$280	\$280	\$292
	<b>MBC</b>	\$280	\$280	\$292
	<b>CTB</b>	\$484	\$484	\$494

## V182-A Easy clean hand shower



Fitting / Approvals	Flow rates	Finishes	
Thread: 1/2"	Flow < 1.8 gpm	<b>CP</b>	\$312
		<b>PN</b>	\$344
<b>C.E.C. Approved</b>		<b>URB</b>	\$354
<b>Mass. Code Approved</b>		<b>SN/NL</b>	\$354
		<b>URM</b>	\$388
		<b>MBC</b>	\$398
		<b>CTB</b>	\$420

## V754-AK Easy clean hand shower



Fitting / Approvals	Flow rates	Finishes	
Thread: 1/2"	Flow < 1.8 gpm	<b>CP</b>	\$762
		<b>PN</b>	\$838
<b>C.E.C. Approved</b>		<b>URB</b>	\$880
<b>Mass. Code Approved</b>		<b>SSB/SN/NL</b>	\$922
		<b>URM</b>	\$956
		<b>MBC</b>	\$998
		<b>CTB</b>	\$1,030

## V79... Optional indices



V790-K (Plain)



V791-K-H (Hot)



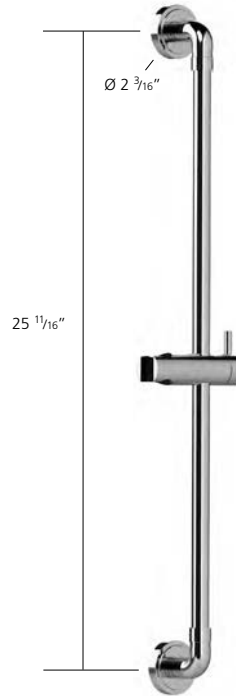
V791-K-C (Cold)

Finishes	
<b>CP</b>	\$84
<b>PN</b>	\$94
<b>URB</b>	\$98
<b>SN/NL</b>	\$98
<b>URM</b>	\$104
<b>MBC</b>	\$112
<b>CTB</b>	\$116

**V770A-KITK** Slider rail kit



**V770** Slider rail



**Fitting**                      **Finishes**

**Feed:** 1/2"  
Flow < 1.8 gpm

<b>CP</b>	\$2,330
<b>PN</b>	\$2,664
<b>URB</b>	\$2,768
<b>SSB/SN/NL</b>	\$2,912
<b>URM</b>	\$3,038
<b>MBC</b>	\$3,080
<b>CTB</b>	\$3,392

**Finishes**

<b>CP</b>	\$1,186
<b>PN</b>	\$1,394
<b>URB</b>	\$1,394
<b>SN/NL</b>	\$1,498
<b>URM</b>	\$1,498
<b>MBC</b>	\$1,498
<b>CTB</b>	\$1,560

**Available finishes**



**CP**  
chrome plate



**PN**  
polished nickel



**URB**  
urban brass



**SSB**  
satin nickel with  
matt black chrome



**SN(us15)**  
satin nickel finish



**NL**  
non lacquered



**URM**  
urban brass  
matt lacquered



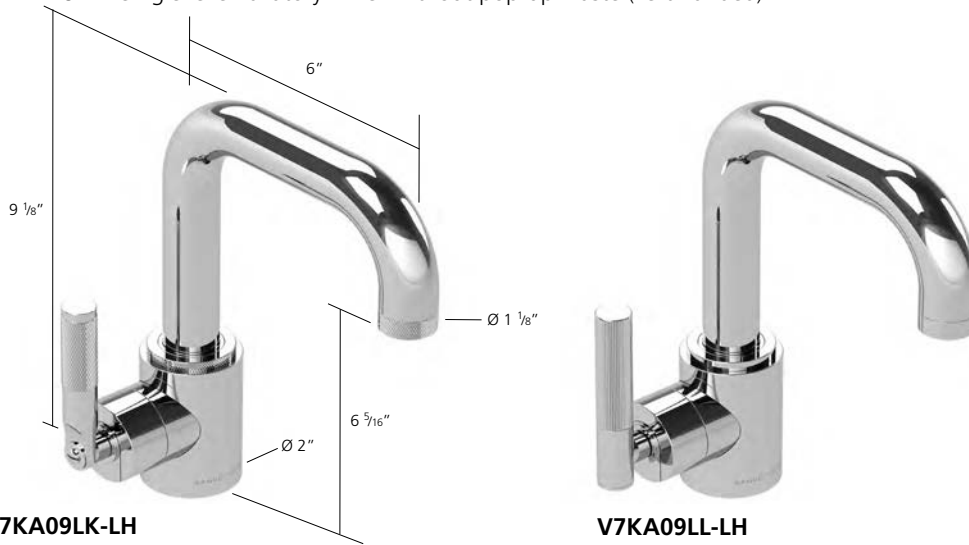
**MBC**  
matt black chrome



**CTB**  
city bronze




# LMK INDUSTRIAL Lavatory

**V7KA09-LH** Single lever lavatory mixer with pop-up waste (Left handed)  
**V7KA10-LH** Single lever lavatory mixer without pop-up waste (Left handed)



**V7KA09LK-LH**

**V7KA09LL-LH**

Fitting / Approvals	Flow rates	Finishes																								
Feeds: 1/2" Max deck thickness: 1 1/2" Max drill hole: 1 5/8"   C.E.C. Approved Mass. Code Approved	 Flow < 1.2 gpm	<table border="1"> <thead> <tr> <th></th> <th>V7KA09</th> <th>V7KA10</th> </tr> </thead> <tbody> <tr> <td>CP</td> <td>\$2,580</td> <td>\$2,496</td> </tr> <tr> <td>PN</td> <td>\$2,830</td> <td>\$2,746</td> </tr> <tr> <td>URB</td> <td>\$2,976</td> <td>\$2,892</td> </tr> <tr> <td>SSB/SN/NL</td> <td>\$3,100</td> <td>\$3,016</td> </tr> <tr> <td>URM</td> <td>\$3,224</td> <td>\$3,120</td> </tr> <tr> <td>MBC</td> <td>\$3,370</td> <td>\$3,266</td> </tr> <tr> <td>CTB</td> <td>\$3,496</td> <td>\$3,392</td> </tr> </tbody> </table>		V7KA09	V7KA10	CP	\$2,580	\$2,496	PN	\$2,830	\$2,746	URB	\$2,976	\$2,892	SSB/SN/NL	\$3,100	\$3,016	URM	\$3,224	\$3,120	MBC	\$3,370	\$3,266	CTB	\$3,496	\$3,392
	V7KA09	V7KA10																								
CP	\$2,580	\$2,496																								
PN	\$2,830	\$2,746																								
URB	\$2,976	\$2,892																								
SSB/SN/NL	\$3,100	\$3,016																								
URM	\$3,224	\$3,120																								
MBC	\$3,370	\$3,266																								
CTB	\$3,496	\$3,392																								

**V7KA09-RH** Single lever lavatory mixer with pop-up waste (Right handed)  
**V7KA10-RH** Single lever lavatory mixer without pop-up waste (Right handed)






**V7KA09LK-RH**

**V7KA09LL-RH**

**Available finishes**



Fitting / Approvals	Flow rates	Finishes																								
Feeds: 1/2" Max deck thickness: 1 1/2" Max drill hole: 1 5/8"   C.E.C. Approved Mass. Code Approved	 Flow < 1.2 gpm	<table border="1"> <thead> <tr> <th></th> <th>V7KA09</th> <th>V7KA10</th> </tr> </thead> <tbody> <tr> <td>CP</td> <td>\$2,580</td> <td>\$2,496</td> </tr> <tr> <td>PN</td> <td>\$2,830</td> <td>\$2,746</td> </tr> <tr> <td>URB</td> <td>\$2,976</td> <td>\$2,892</td> </tr> <tr> <td>SSB/SN/NL</td> <td>\$3,100</td> <td>\$3,016</td> </tr> <tr> <td>URM</td> <td>\$3,224</td> <td>\$3,120</td> </tr> <tr> <td>MBC</td> <td>\$3,370</td> <td>\$3,266</td> </tr> <tr> <td>CTB</td> <td>\$3,496</td> <td>\$3,392</td> </tr> </tbody> </table>		V7KA09	V7KA10	CP	\$2,580	\$2,496	PN	\$2,830	\$2,746	URB	\$2,976	\$2,892	SSB/SN/NL	\$3,100	\$3,016	URM	\$3,224	\$3,120	MBC	\$3,370	\$3,266	CTB	\$3,496	\$3,392
	V7KA09	V7KA10																								
CP	\$2,580	\$2,496																								
PN	\$2,830	\$2,746																								
URB	\$2,976	\$2,892																								
SSB/SN/NL	\$3,100	\$3,016																								
URM	\$3,224	\$3,120																								
MBC	\$3,370	\$3,266																								
CTB	\$3,496	\$3,392																								


**V7KA19LK-LH** Single lever bidet mixer with pop-up waste (Left handed)



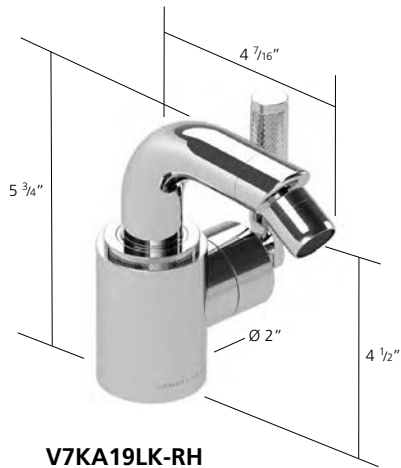
**V7KA19LK-LH**



**V7KA19LL-LH**

Fitting / Approvals	Flow rates	Finishes
<b>Feeds:</b> 1/2" <b>Max deck thickness:</b> 1 1/2" <b>Max drill hole:</b> 1 5/8"	 Flow < 3.5 gpm	<b>CP</b> \$2,726 <b>PN</b> \$2,996 <b>URB</b> \$3,120 <b>SSB/SN/NL</b> \$3,266 <b>URM</b> \$3,412 <b>MBC</b> \$3,536 <b>CTB</b> \$3,682

**V7KA19LK-RH** Single lever bidet mixer with pop-up waste (Right handed)




**V7KA19LK-RH**



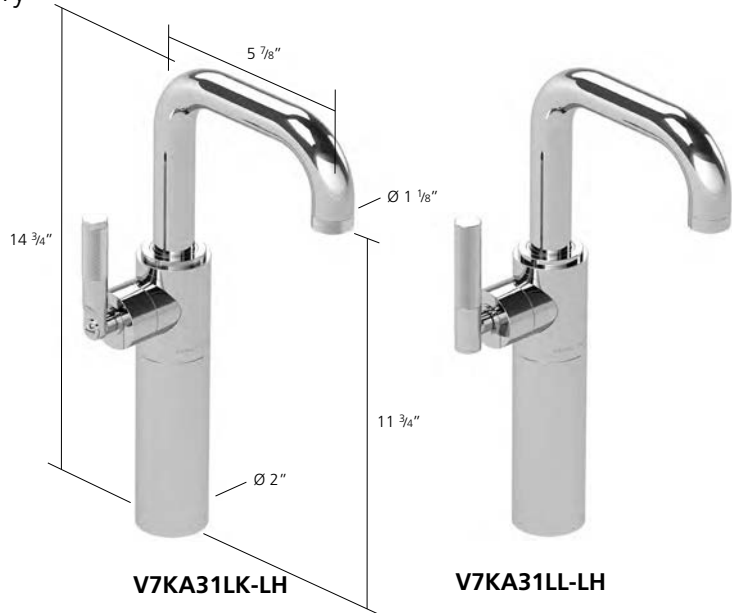
**V7KA19LL-RH**




**Available finishes**



Fitting / Approvals	Flow rates	Finishes
<b>Feeds:</b> 1/2" <b>Max deck thickness:</b> 1 1/2" <b>Max drill hole:</b> 1 5/8"	 Flow < 3.5 gpm	<b>CP</b> \$2,726 <b>PN</b> \$2,996 <b>URB</b> \$3,120 <b>SSB/SN/NL</b> \$3,266 <b>URM</b> \$3,412 <b>MBC</b> \$3,536 <b>CTB</b> \$3,682

**V7KA31-LH** Tall single lever lavatory mixer (Left handed)






Fitting / Approvals	Flow rates	Finishes														
Feeds: 1/2" Max deck thickness: 1 3/8" Max drill hole: 1 3/8"   C.E.C. Approved Mass. Code Approved		<table border="0"> <tr><td><b>CP</b></td><td>\$3,038</td></tr> <tr><td><b>PN</b></td><td>\$3,350</td></tr> <tr><td><b>URB</b></td><td>\$3,496</td></tr> <tr><td><b>SSB/SN/NL</b></td><td>\$3,640</td></tr> <tr><td><b>URM</b></td><td>\$3,786</td></tr> <tr><td><b>MBC</b></td><td>\$3,952</td></tr> <tr><td><b>CTB</b></td><td>\$4,098</td></tr> </table>	<b>CP</b>	\$3,038	<b>PN</b>	\$3,350	<b>URB</b>	\$3,496	<b>SSB/SN/NL</b>	\$3,640	<b>URM</b>	\$3,786	<b>MBC</b>	\$3,952	<b>CTB</b>	\$4,098
<b>CP</b>	\$3,038															
<b>PN</b>	\$3,350															
<b>URB</b>	\$3,496															
<b>SSB/SN/NL</b>	\$3,640															
<b>URM</b>	\$3,786															
<b>MBC</b>	\$3,952															
<b>CTB</b>	\$4,098															

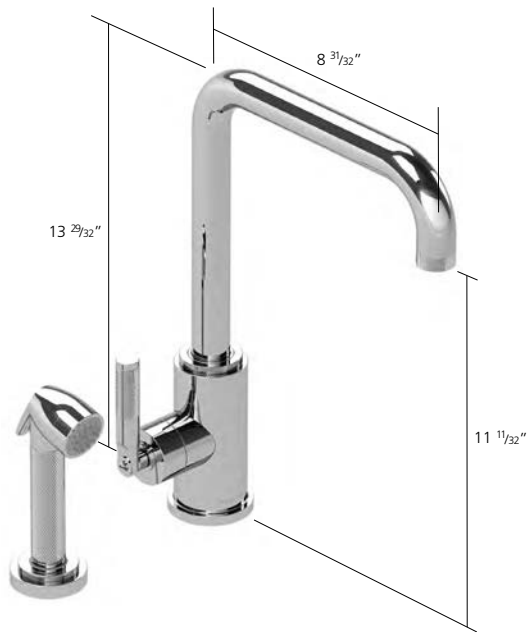
**V7KA31-RH** Tall single lever lavatory mixer (Right handed)



Available finishes								
								
<b>CP</b> chrome plate	<b>PN</b> polished nickel	<b>URB</b> urban brass	<b>SSB</b> satin nickel with matt black chrome	<b>SN(us15)</b> satin nickel finish	<b>NL</b> non lacquered	<b>URM</b> urban brass matt lacquered	<b>MBC</b> matt black chrome	<b>CTB</b> city bronze

Fitting / Approvals	Flow rates	Finishes														
Feeds: 1/2" Max deck thickness: 1 3/8" Max drill hole: 1 3/8"   C.E.C. Approved Mass. Code Approved		<table border="0"> <tr><td><b>CP</b></td><td>\$3,038</td></tr> <tr><td><b>PN</b></td><td>\$3,350</td></tr> <tr><td><b>URB</b></td><td>\$3,496</td></tr> <tr><td><b>SSB/SN/NL</b></td><td>\$3,640</td></tr> <tr><td><b>URM</b></td><td>\$3,786</td></tr> <tr><td><b>MBC</b></td><td>\$3,952</td></tr> <tr><td><b>CTB</b></td><td>\$4,098</td></tr> </table>	<b>CP</b>	\$3,038	<b>PN</b>	\$3,350	<b>URB</b>	\$3,496	<b>SSB/SN/NL</b>	\$3,640	<b>URM</b>	\$3,786	<b>MBC</b>	\$3,952	<b>CTB</b>	\$4,098
<b>CP</b>	\$3,038															
<b>PN</b>	\$3,350															
<b>URB</b>	\$3,496															
<b>SSB/SN/NL</b>	\$3,640															
<b>URM</b>	\$3,786															
<b>MBC</b>	\$3,952															
<b>CTB</b>	\$4,098															

**V7KA33** Single lever kitchen mixer with hand spray




**V7KA33LK**



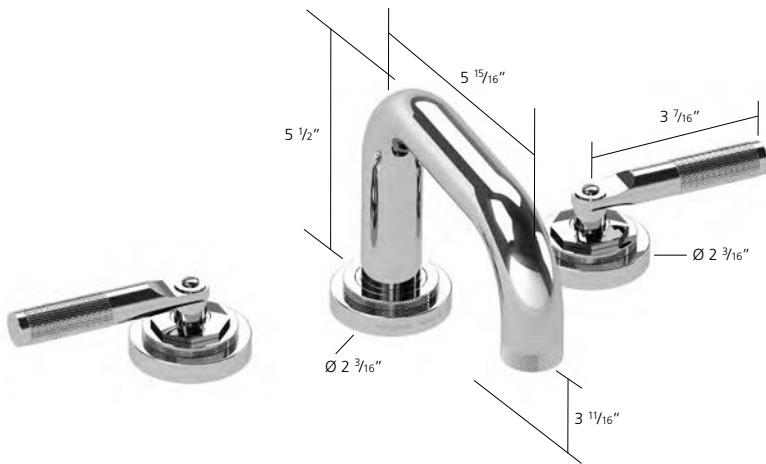
**V7KA33LL**

**Available finishes**



Fitting / Approvals	Flow rates	Finishes
<p>Feeds: 1/2"</p> <p>Max deck thickness: 1 1/2"</p> <p>Max drill hole: 1 5/8"</p>	<p> water saving</p> <p>Flow &lt;1.0 gpm faucet</p> <p>Flow &lt;2.0 gpm hand spray</p>	<p><b>CP</b> \$3,050</p> <p><b>PN</b> \$3,356</p> <p><b>URB</b> \$3,508</p> <p><b>SSB/SN/NL</b> \$3,660</p> <p><b>URM</b> \$3,812</p> <p><b>MBC</b> \$3,966</p> <p><b>CTB</b> \$4,118</p>

**V7KA14** 3 hole lavatory mixer with pop-up waste, low spout  
 Also available without pop-up waste



**V7KA14LK**



**V7KA14XK**






**V7KA14LL**



**V7KA14LW**

**Available finishes**



Fitting / Approvals	Flow rates	Finishes		
		With PUW	No PUW	
Feeds: 1/2" Max deck thickness: 1 9/16" Max drill hole: 1 9/16" side valve Max drill hole: 1 3/4" spout  	 Flow <1.2 gpm	<b>CP</b>	\$3,184	\$3,162
		<b>PN</b>	\$3,516	\$3,474
		<b>URB</b>	\$3,682	\$3,640
		<b>SSB/SN/NL</b>	\$3,828	\$3,786
		<b>URM</b>	\$3,994	\$3,952
		<b>MBC</b>	\$4,140	\$4,098
		<b>CTB</b>	\$4,306	\$4,264

C.E.C. Approved  
 Mass. Code Approved  
 Without pop-up waste: order eg. V7KA14LKNP

**V7KA15** 3 hole lavatory mixer with pop-up waste, medium spout

*Also available without pop-up waste*



**V7KA15LK**

**V7KA15XK**



**V7KA15LL**



**V7KA15LW**

**Available finishes**



**Fitting / Approvals**

**Feeds:** 1/2"  
**Max deck thickness:** 1 9/16"  
**Max drill hole:** 1 9/16" side valve  
**Max drill hole:** 1 3/4" spout



**C.E.C. Approved**  
**Mass. Code Approved**  
 Without pop-up waste: order eg. V7KA15LKNP

**Flow rates**



Flow <1.2 gpm

**Finishes**

	With PUW	No PUW
<b>CP</b>	\$3,288	\$3,246
<b>PN</b>	\$3,620	\$3,558
<b>URB</b>	\$3,786	\$3,744
<b>SSB/SN/NL</b>	\$3,952	\$3,890
<b>URM</b>	\$4,098	\$4,056
<b>MBC</b>	\$4,264	\$4,224
<b>CTB</b>	\$4,432	\$4,390

**V7KA16** 3 hole lavatory mixer with pop-up waste, high spout  
 Also available without pop-up waste



**V7KA16LK**



**V7KA16XK**



**V7KA16LL**



**V7KA16LW**

**Available finishes**



**Fitting / Approvals**

Feeds: 1/2"  
 Max deck thickness: 1 9/16"  
 Max drill hole: 1 9/16" side valve  
 Max drill hole: 1 3/4" spout



C.E.C. Approved  
 Mass. Code Approved  
 Without pop-up waste: order eg. V7KA16LKNP

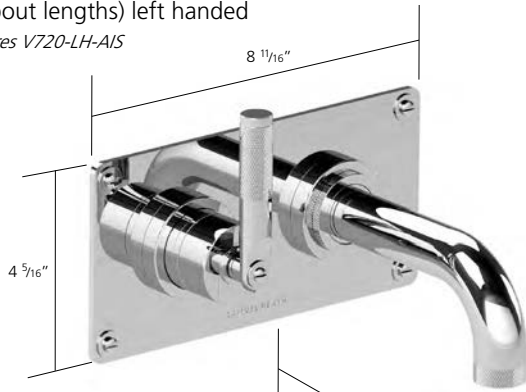
**Flow rates**

Flow <1.2 gpm

**Finishes**

	With PUW	No PUW
<b>CP</b>	\$3,454	\$3,328
<b>PN</b>	\$3,808	\$3,662
<b>URB</b>	\$3,974	\$3,828
<b>SSB/SN/NL</b>	\$4,140	\$3,994
<b>URM</b>	\$4,328	\$4,160
<b>MBC</b>	\$4,494	\$4,328
<b>CTB</b>	\$4,660	\$4,494

**V7KA20-1-LH, V7KA20-2-LH, V7KA20-3-LH** Wall mounted lavatory mixer, trim set  
(3 spout lengths) left handed  
*requires V720-LH-AIS*



**V7KA20-1LK-LH**

V7KA20-1LK-LH= 5 1/16"  
V7KA20-2LK-LH= 7 1/4"  
V7KA20-3LK-LH= 8 7/16"

**V7KA20-1LL-LH**

**Available finishes**



**Fitting / Approvals      Flow rates      Finishes**



Flow <1.2 gpm

**C.E.C. Approved**  
**Mass. Code Approved**

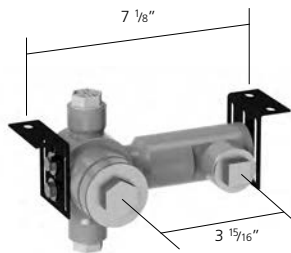


Also now available without trim plate. **V7KA20-1-NP, V7KA20-2-NP, V7KA20-3-NP**  
Can be mounted left or right handed using **V720-LH-AIS** or **V720-RH-AIS**

	V7KA20-1-LH	V7KA20-2-LH	V7KA20-3-LH
<b>CP</b>	\$2,934	\$2,954	\$2,996
<b>PN</b>	\$3,224	\$3,246	\$3,308
<b>URB</b>	\$3,370	\$3,392	\$3,454
<b>SSB/SN/NL</b>	\$3,516	\$3,536	\$3,600
<b>URM</b>	\$3,662	\$3,682	\$3,744
<b>MBC</b>	\$3,808	\$3,828	\$3,890
<b>CTB</b>	\$3,952	\$3,994	\$4,056

	V7KA20-1-NP	V7KA20-2-NP	V7KA20-3-NP
<b>CP</b>	\$2,684	\$2,704	\$2,746
<b>PN</b>	\$2,954	\$2,976	\$3,016
<b>URB</b>	\$3,080	\$3,100	\$3,162
<b>SSB/SN/NL</b>	\$3,224	\$3,246	\$3,308
<b>URM</b>	\$3,350	\$3,370	\$3,432
<b>MBC</b>	\$3,496	\$3,516	\$3,558
<b>CTB</b>	\$3,620	\$3,640	\$3,704

**V720-LH-AIS** Left handed rough - only for use with LMK



**Fitting / Approvals      Finishes**

**Feeds:** 1/2" NPT  
**Fitting depth:** Min 2 7/8" - Max 3 5/16"  
from finished tiled surface to rear of fixing,  
Fitting brackets can be rotated 90 degrees



**C.E.C. Approved**  
**Mass. Code Approved**

**XX      \$772**

**V7KA20-1-RH, V7KA20-2-RH, V7KA20-3-RH** Wall mounted lavatory mixer, trim set  
(3 spout lengths) right handed  
*requires V720-RH-AIS*



**V7KA20-1LK-RH**

V7KA20-1LK-RH= 5 11/16"  
V7KA20-2LK-RH= 7 1/4"  
V7KA20-3LK-RH= 8 7/16"

**V7KA20-1LL-RH**

**Available finishes**



**Fitting / Approvals      Flow rates      Finishes**



**C.E.C. Approved**  
**Mass. Code Approved**

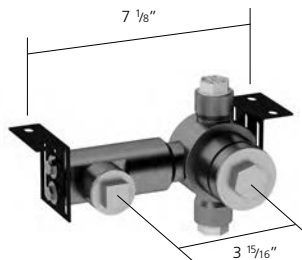


Also now available without trim plate. **V7KA20-1-NP, V7KA20-2-NP, V7KA20-3-NP**  
Can be mounted left or right handed using **V720-LH-AIS** or **V720-RH-AIS**

	V7KA20-1-RH	V7KA20-2-RH	V7KA20-3-RH
<b>CP</b>	\$2,934	\$2,954	\$2,996
<b>PN</b>	\$3,224	\$3,246	\$3,308
<b>URB</b>	\$3,370	\$3,392	\$3,454
<b>SSB/SN/NL</b>	\$3,516	\$3,536	\$3,600
<b>URM</b>	\$3,662	\$3,682	\$3,744
<b>MBC</b>	\$3,808	\$3,828	\$3,890
<b>CTB</b>	\$3,952	\$3,994	\$4,056

	V7KA20-1-NP	V7KA20-2-NP	V7KA20-3-NP
<b>CP</b>	\$2,684	\$2,704	\$2,746
<b>PN</b>	\$2,954	\$2,976	\$3,016
<b>URB</b>	\$3,080	\$3,100	\$3,162
<b>SSB/SN/NL</b>	\$3,224	\$3,246	\$3,308
<b>URM</b>	\$3,350	\$3,370	\$3,432
<b>MBC</b>	\$3,496	\$3,516	\$3,558
<b>CTB</b>	\$3,620	\$3,640	\$3,704

**V720-RH-AIS** Right handed rough - only for use with LMK



**Fitting / Approvals      Finishes**

**Feeds:** 1/2" NPT  
**Fitting depth:** Min 2 7/8" - Max 3 5/16"  
from finished tiled surface to rear of fixing,  
Fitting brackets can be rotated 90 degrees



**C.E.C. Approved**  
**Mass. Code Approved**

**XX      \$772**

**V7K17-1, V7K17-2, V7K17-3** Wall mounted lavatory mixer, trim set (3 spout lengths)  
requires V718-AIS



**V7K17-1LK**  
**V7K17-2LK**  
**V7K17-3LK**

V7K17-1 = 5 1/2"  
V7K17-2 = 7 1/8"  
V7K17-3 = 8 1/4"

**V7K17-1XK**  
**V7K17-2XK**  
**V7K17-3XK**

**V7K17-1LL**  
**V7K17-2LL**  
**V7K17-3LL**

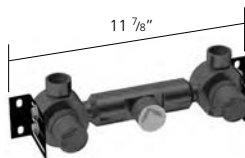
**V7K17-1LW**  
**V7K17-2LW**  
**V7K17-3LW**

**Available finishes**



Fitting / Approvals	Flow rates	Finishes	V7K17-1	V7K17-2	V7K17-3
  C.E.C. Approved Mass. Code Approved	Flow <1.2 gpm	<b>CP</b>	\$3,016	\$3,080	\$3,162
		<b>PN</b>	\$3,328	\$3,392	\$3,474
		<b>URB</b>	\$3,474	\$3,536	\$3,640
		<b>SSB/SN/NL</b>	\$3,620	\$3,704	\$3,808
		<b>URM</b>	\$3,766	\$3,848	\$3,974
		<b>MBC</b>	\$3,912	\$4,016	\$4,120
		<b>CTB</b>	\$4,078	\$4,160	\$4,264

**V718-AIS** Rough - only for use with LMK



Fitting / Approvals	Flow rates	Finishes
Feeds: 3/4" female with adaptor for 1/2" female Min fitting depth: 3"  C.E.C. Approved Mass. Code Approved	 Flow <1.2 gpm	<b>XX</b> \$506

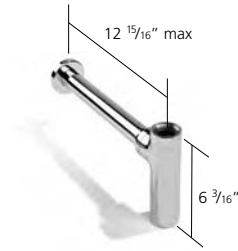
**V192-A** Lavatory drain

*Can be used with or without an overflow*



<b>CP</b>	\$148
<b>PN</b>	\$198
<b>URB</b>	\$248
<b>SN/NL</b>	\$248
<b>URM</b>	\$270
<b>MBC</b>	\$270
<b>CTB</b>	\$312

**V193-A** 1 1/4" Basin bottle trap



<b>CP</b>	\$420
<b>PN</b>	\$538
<b>URB</b>	\$568
<b>SN/NL</b>	\$568
<b>URM</b>	\$592
<b>MBC</b>	\$592
<b>CTB</b>	\$762

**V7K36LK** Floor mounted single lever tub / shower mixer  
requires V736-AIS



**Available finishes**



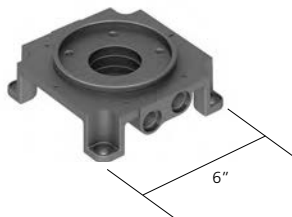
**Fitting / Approvals** **Finishes**

Requires V736-AIS floor rough (below)



<b>CP</b>	\$9,568
<b>PN</b>	\$10,526
<b>URB</b>	\$11,066
<b>SSB/SN/NL</b>	\$11,544
<b>URM</b>	\$12,064
<b>MBC</b>	\$12,544
<b>CTB</b>	\$13,208

**V736-AIS** Floor rough for single lever tub / shower mixer



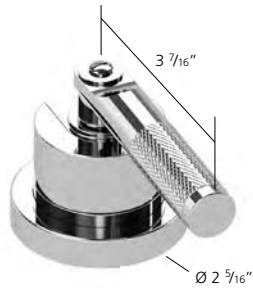
**Fitting / Approvals** **Finishes**

**Feeds:** 1/2"  
**Fitting depth:** Min 4" - Max 6 1/4"



<b>XX</b>	\$2,226
-----------	---------

**V7KA37** Deck mounted, single lever control



**V7KA37LK**



**V7KA37LL**

Fitting / Approvals	Flow rates	Finishes
<b>Feeds:</b> 1/2" <b>Max deck thickness:</b> 2" <b>Max drill hole:</b> 2"		<b>CP</b> \$1,768 <b>PN</b> \$1,956 <b>URB</b> \$2,040 <b>SSB/SN/NL</b> \$2,122 <b>URM</b> \$2,226 <b>MBC</b> \$2,310 <b>CTB</b> \$2,392

**V7KA38-1, V7KA38-2** Deck mounted 2 hole tub filler (2 spout lengths)



**V7KA38-1LK**



**V7KA38-2LK**



**V7KA38-1LL**



**V7KA38-2LL**

**Available finishes**



Fitting / Approvals	Flow rates	Finishes																								
<b>Feeds:</b> 1/2" <b>Max deck thickness:</b> 2" <b>Max drill hole:</b> 2" side valve <b>Max drill hole:</b> 2" spout		<table border="1"> <thead> <tr> <th></th> <th>V7KA38-1LK</th> <th>V7KA38-2LK</th> </tr> </thead> <tbody> <tr> <td><b>CP</b></td> <td>\$3,786</td> <td>\$3,994</td> </tr> <tr> <td><b>PN</b></td> <td>\$4,160</td> <td>\$4,390</td> </tr> <tr> <td><b>URB</b></td> <td>\$4,348</td> <td>\$4,576</td> </tr> <tr> <td><b>SSB/SN/NL</b></td> <td>\$4,536</td> <td>\$4,784</td> </tr> <tr> <td><b>URM</b></td> <td>\$4,744</td> <td>\$4,972</td> </tr> <tr> <td><b>MBC</b></td> <td>\$4,910</td> <td>\$5,180</td> </tr> <tr> <td><b>CTB</b></td> <td>\$5,118</td> <td>\$5,388</td> </tr> </tbody> </table>		V7KA38-1LK	V7KA38-2LK	<b>CP</b>	\$3,786	\$3,994	<b>PN</b>	\$4,160	\$4,390	<b>URB</b>	\$4,348	\$4,576	<b>SSB/SN/NL</b>	\$4,536	\$4,784	<b>URM</b>	\$4,744	\$4,972	<b>MBC</b>	\$4,910	\$5,180	<b>CTB</b>	\$5,118	\$5,388
	V7KA38-1LK	V7KA38-2LK																								
<b>CP</b>	\$3,786	\$3,994																								
<b>PN</b>	\$4,160	\$4,390																								
<b>URB</b>	\$4,348	\$4,576																								
<b>SSB/SN/NL</b>	\$4,536	\$4,784																								
<b>URM</b>	\$4,744	\$4,972																								
<b>MBC</b>	\$4,910	\$5,180																								
<b>CTB</b>	\$5,118	\$5,388																								

**V7KA39-1, V7KA39-2** Deck mounted 3 hole tub filler (2 spout lengths)



**V7KA39-1LK**

**V7KA39-2LK**



**V7KA39-1LL**

**V7KA39-2LL**

**Available finishes**



**Fitting / Approvals**

- Feeds: 1/2"
- Max deck thickness: 2"
- Max drill hole: 2" side valve
- Max drill hole: 2" spout
- Max drill hole: 1 13/16" handset

**Flow rates**



**Finishes**

	V7KA39-1	V7KA39-2
CP	\$5,222	\$5,264
PN	\$5,762	\$5,804
URB	\$6,012	\$6,054
SSB/SN/NL	\$6,282	\$6,324
URM	\$6,532	\$6,594
MBC	\$6,802	\$6,864
CTB	\$7,052	\$7,114

**V7KA44-1, V7KA44-2** Deck mounted 3 hole tub filler (2 spout lengths)



**V7KA44-1LK**  
**V7KA44-2LK**

**V7KA44-1XK**  
**V7KA44-2XK**



**V7KA44-1LL**  
**V7KA44-2LL**



**V7KA44-1LW**  
**V7KA44-2LW**

**Available finishes**



**Fitting / Approvals** **Finishes**

**Feeds:** 3/4" NPT  
**Max deck thickness:** 2"  
**Max drill hole:** 1 5/8" side valve  
**Max drill hole:** 1 13/16" spout

	<b>V7KA44-1</b>	<b>V7KA44-2</b>
<b>CP</b>	\$4,078	\$4,098
<b>PN</b>	\$4,494	\$4,514
<b>URB</b>	\$4,702	\$4,722
<b>SSB/SN/NL</b>	\$4,910	\$4,910
<b>URM</b>	\$5,118	\$5,118
<b>MBC</b>	\$5,304	\$5,326
<b>CTB</b>	\$5,512	\$5,534

**V7KA48-1, V7KA48-2 Deck mounted 4 hole tub filler (2 spout lengths)**



**V7KA48-1LK  
V7KA48-2LK**



**V7KA48-1XK  
V7KA48-2XK**



**V7KA48-1LL  
V7KA48-2LL**



**V7KA48-1LW  
V7KA48-2LW**

**Available finishes**



**Fitting / Approvals**

- Feeds:** 3/4" NPT
- Max deck thickness:** 2"
- Max drill hole:** 1 5/8" side valve
- Max drill hole:** 1 13/16" spout
- Max drill hole:** 1 13/16" handset

**Finishes**

	V7KA48-1	V7KA48-2
<b>CP</b>	\$5,928	\$6,074
<b>PN</b>	\$6,532	\$6,678
<b>URB</b>	\$6,844	\$6,990
<b>SSB/SN/NL</b>	\$7,114	\$7,302
<b>URM</b>	\$7,426	\$7,592
<b>MBC</b>	\$7,718	\$7,904
<b>CTB</b>	\$8,008	\$8,196

**V7K35-1-LH, V7K35-2-LH** Wall mounted 2 hole tub filler (2 spout lengths) left handed  
*requires V720-LH-AIS*



**Available finishes**



**Fitting / Approvals**



Mass. Code Approved



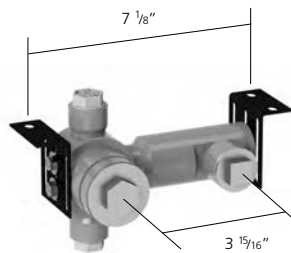
Also now available without trim plate. **V7K35-1-NP, V7K35-2-NP**  
 Can be mounted left or right handed using **V720-LH-AIS** or **V720-RH-AIS**

**Finishes**

	V7K35-1-LH	V7K35-2-LH
CP	\$3,100	\$3,100
PN	\$3,412	\$3,412
URB	\$3,558	\$3,578
SSB/SN/NL	\$3,724	\$3,724
URM	\$3,870	\$3,890
MBC	\$4,036	\$4,036
CTB	\$4,182	\$4,202

	V7K35-1-NP	V7K35-2-NP
CP	\$2,830	\$2,850
PN	\$3,120	\$3,120
URB	\$3,266	\$3,266
SSB/SN/NL	\$3,412	\$3,412
URM	\$3,536	\$3,558
MBC	\$3,682	\$3,704
CTB	\$3,828	\$3,828

**V720-LH-AIS** Left handed rough - only for use with LMK



**Fitting / Approvals**

**Feeds:** 1/2" NPT  
**Fitting depth:** Min 2 7/8" - Max 3 5/16"  
 from finished tiled surface to rear of fixing,  
 Fitting brackets can be rotated 90 degrees

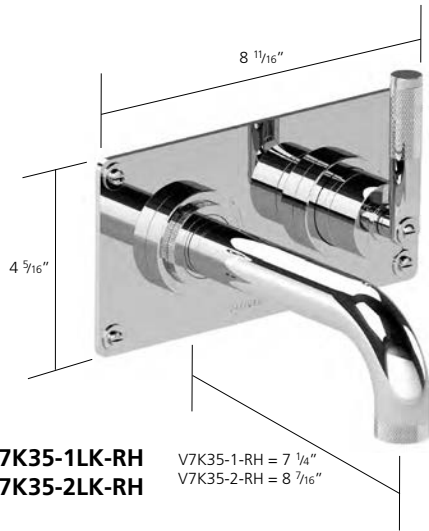


C.E.C. Approved  
 Mass. Code Approved

**Finishes**

**XX** \$772

**V7K35-1-RH, V7K35-2-RH** Wall mounted 2 hole tub filler (2 spout lengths) right handed  
*requires V720-RH-AIS*



**V7K35-1LL-RH**  
**V7K35-2LL-RH**

**Available finishes**



**Finishes**



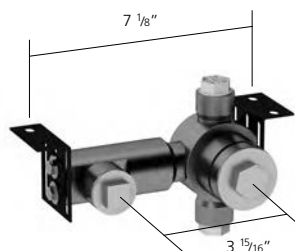
Also now available without trim plate. **V7K35-1-NP, V7K35-2-NP**  
 Can be mounted left or right handed using **V720-LH-AIS** or **V720-RH-AIS**

	V7K35-1-RH	V7K35-2-RH
<b>CP</b>	\$3,100	\$3,100
<b>PN</b>	\$3,412	\$3,412
<b>URB</b>	\$3,558	\$3,578
<b>SSB/SN/NL</b>	\$3,724	\$3,724
<b>URM</b>	\$3,870	\$3,890
<b>MBC</b>	\$4,036	\$4,036
<b>CTB</b>	\$4,182	\$4,202

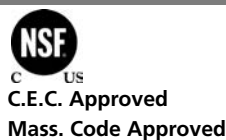
	V7K35-1-NP	V7K35-2-NP
<b>CP</b>	\$2,830	\$2,850
<b>PN</b>	\$3,120	\$3,120
<b>URB</b>	\$3,266	\$3,266
<b>SSB/SN/NL</b>	\$3,412	\$3,412
<b>URM</b>	\$3,536	\$3,558
<b>MBC</b>	\$3,682	\$3,704
<b>CTB</b>	\$3,828	\$3,828

**V720-RH-AIS** Right handed rough - only for use with LMK



**Fitting / Approvals**

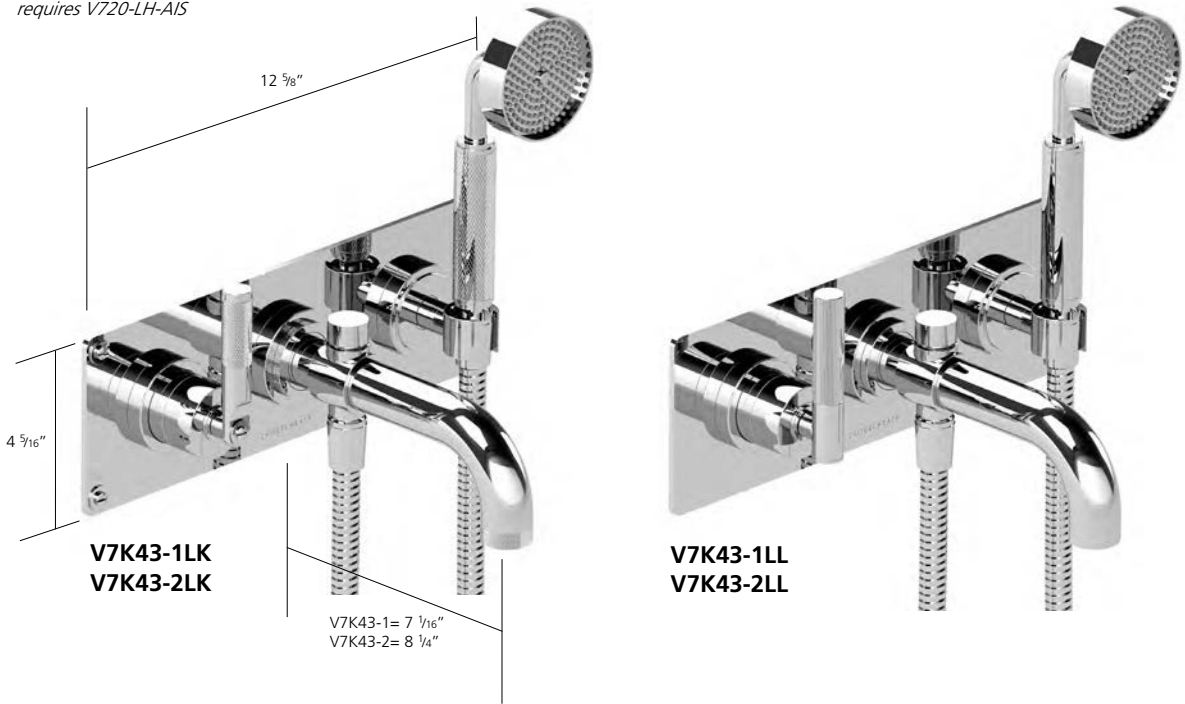
**Feeds:** 1/2" NPT  
**Fitting depth:** Min 2 7/8" - Max 3 5/16"  
 from finished tiled surface to rear of fixing,  
 Fitting brackets can be rotated 90 degrees



**Finishes**

**XX** \$772

**V7K43-1, V7K43-2** Wall mounted 3 hole tub filler with diverter (2 spout lengths)  
 requires V720-LH-AIS



**Available finishes**



**Finishes**

NSF Approval pending



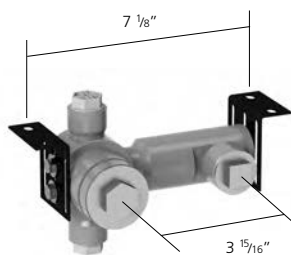
Also now available without trim plate. **V7K43-1-NP, V7K43-2-NP**

	V7K43-1	V7K43-2
<b>CP</b>	\$5,720	\$5,762
<b>PN</b>	\$6,282	\$6,324
<b>URB</b>	\$6,574	\$6,616
<b>SSB/SN/NL</b>	\$6,864	\$6,906
<b>URM</b>	\$7,136	\$7,198
<b>MBC</b>	\$7,426	\$7,468
<b>CTB</b>	\$7,718	\$7,760

	V7K43-1-NP	V7K43-2-NP
<b>CP</b>	\$5,264	\$5,304
<b>PN</b>	\$5,804	\$5,824
<b>URB</b>	\$6,054	\$6,096
<b>SSB/SN/NL</b>	\$6,324	\$6,344
<b>URM</b>	\$6,594	\$6,616
<b>MBC</b>	\$6,844	\$6,886
<b>CTB</b>	\$7,114	\$7,156

**V720-LH-AIS** Left handed rough - only for use with LMK



**Fitting / Approvals**

**Feeds:** 1/2" NPT  
**Fitting depth:** Min 2 7/8" - Max 3 5/16"  
 from finished tiled surface to rear of fixing,  
 Fitting brackets can be rotated 90 degrees



**Finishes**


**XX** \$772

**V7K47-1, V7K47-2** Wall mounted tub filler, trim set  
requires V718-AIS

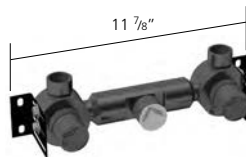




**Available finishes**



Fitting / Approvals	Finishes		
	V7K47-1	V7K47-2	
 Mass. Code Approved	<b>CP</b>	\$3,016	\$3,308
	<b>PN</b>	\$3,308	\$3,640
	<b>URB</b>	\$3,912	\$3,808
	<b>SSB/SN/NL</b>	\$3,598	\$3,974
	<b>URM</b>	\$3,912	\$4,140
	<b>MBC</b>	\$3,932	\$4,306
	<b>CTB</b>	\$4,056	\$4,472

**V718-AIS** Rough - only for use with LMK



Fitting / Approvals	Flow rates	Finishes
Feeds: 3/4" female with adaptor for 1/2" female Min fitting depth: 3"		<b>XX</b> \$506
		

**V7KA42** Deck mounted side valves (pair)



**V7KA42LK**



**V7KA42XK**



**V7KA42LL**



**V7KA42LW**

**Available finishes**



**CP**  
chrome plate



**PN**  
polished nickel



**URB**  
urban brass



**SSB**  
satin nickel with  
matt black chrome



**SN(US15)**  
satin nickel finish



**NL**  
non lacquered



**URM**  
urban brass  
matt lacquered



**MBC**  
matt black chrome



**CTB**  
city bronze

**Fitting / Approvals**

**Feeds:** 3/4" NPT

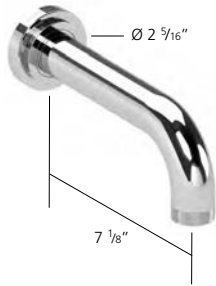
**Max deck thickness:** 2"


**Max drill hole:** 1 5/8"

**Finishes**

<b>CP</b>	\$2,788
<b>PN</b>	\$3,080
<b>URB</b>	\$3,204
<b>SSB/SN/NL</b>	\$3,350
<b>URM</b>	\$3,496
<b>MBC</b>	\$3,640
<b>CTB</b>	\$3,766

**V746-1K** Wall mounted spout, trim set  
requires V758-AIS



Fitting / Approvals	Finishes
 Mass. Code Approved	<b>CP</b> \$1,248
	<b>PN</b> \$1,374
	<b>URB</b> \$1,436
	<b>SSB/SN/NL</b> \$1,498
	<b>URM</b> \$1,560
	<b>MBC</b> \$1,624
	<b>CTB</b> \$1,686

**V7KA41** Deck mounted diverter

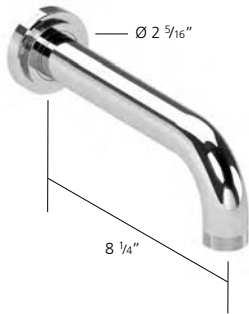



**V7KA41LK**

**V7KA41LL**

Fitting / Approvals	Finishes
Max deck thickness: 2 3/16"	<b>CP</b> \$1,436
	<b>PN</b> \$1,582
	<b>URB</b> \$1,664
	<b>SSB/SN/NL</b> \$1,728
	<b>URM</b> \$1,810
	<b>MBC</b> \$1,872
	<b>CTB</b> \$1,956

**V746-2K** Wall mounted spout, trim set  
requires V758-AIS



Fitting / Approvals	Finishes
 Mass. Code Approved	<b>CP</b> \$1,312
	<b>PN</b> \$1,436
	<b>URB</b> \$1,498
	<b>SSB/SN/NL</b> \$1,560
	<b>URM</b> \$1,624
	<b>MBC</b> \$1,686
	<b>CTB</b> \$1,748

**V780-K** Bath boss for hand shower



Finishes
<b>CP</b> \$408
<b>PN</b> \$452
<b>URB</b> \$474
<b>SSB/SN/NL</b> \$494
<b>URM</b> \$516
<b>MBC</b> \$538
<b>CTB</b> \$558

**V758-AIS** Spout rough for V746-1K & V746-2K



Fitting / Approvals	Finishes
Feeds: 1/2"	<b>XX</b> \$258


**V783** Angle bracket



Fitting / Approvals	Finishes
Feed: 1/2"	<b>CP</b> \$246
	<b>PN</b> \$270
	<b>URB</b> \$280
	<b>SN/NL</b> \$280
	<b>URM</b> \$302
	<b>MBC</b> \$312
	<b>CTB</b> \$334

**V165, V941, V942** Hoses



Fitting / Approvals		Finishes			
Thread: 1/2"		<b>V165</b>	<b>V941</b>	<b>V942</b>	
 C.E.C. Approved Mass. Code Approved		<b>CP</b>	\$134	\$134	\$152
		<b>PN</b>	\$152	\$152	\$170
		<b>URB</b>	\$224	\$224	\$238
		<b>SN/NL</b>	\$224	\$224	\$238
		<b>URM</b>	\$280	\$280	\$292
		<b>MBC</b>	\$280	\$280	\$292
		<b>CTB</b>	\$484	\$484	\$494

**V777** Toilet trip lever





**V777-LK**

**V777-LL**

		Finishes	
<i>Check compatibility with toilet manufacturer</i>			
	<b>CP</b>		\$816
	<b>PN</b>		\$902
	<b>URB</b>		\$946
	<b>SSB/SN/NL</b>		\$976
	<b>URM</b>		\$1,020
	<b>MBC</b>		\$1,062
	<b>CTB</b>		\$1,124

**V754-AK** Easy clean hand shower



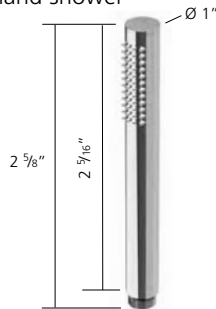
Fitting / Approvals		Flow rates	Finishes	
Thread: 1/2"		 Flow < 1.8 gpm	<b>CP</b>	\$762
 C.E.C. Approved Mass. Code Approved			<b>PN</b>	\$838
		<b>URB</b>	\$880	
		<b>SSB/SN/NL</b>	\$922	
		<b>URM</b>	\$956	
		<b>MBC</b>	\$998	
		<b>CTB</b>	\$1,030	



**VA60-US** 1 1/4" Lavatory waste with metal plug, chain and stay



		Finishes	
	<b>CP</b>		\$280
	<b>PN</b>		\$312
	<b>SN/NL</b>		\$324

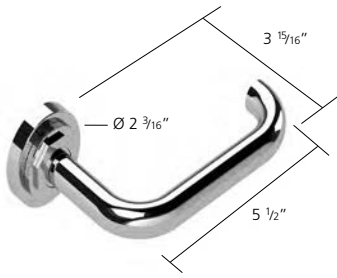
**V182-A** Easy clean hand shower



Fitting / Approvals		Flow rates	Finishes	
Thread: 1/2"		 Flow < 1.8 gpm	<b>CP</b>	\$312
 C.E.C. Approved Mass. Code Approved			<b>PN</b>	\$344
		<b>URB</b>	\$354	
		<b>SN/NL</b>	\$354	
		<b>URM</b>	\$388	
		<b>MBC</b>	\$398	
		<b>CTB</b>	\$420	

# LMK INDUSTRIAL Accessories

**N7637K-RH** Paper holder



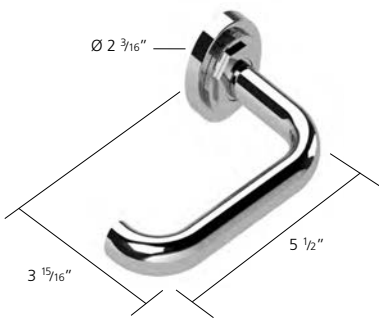
<b>CP</b>	\$568
<b>PN</b>	\$622
<b>URB</b>	\$656
<b>SSB/SN/NL</b>	\$676
<b>URM</b>	\$708
<b>MBC</b>	\$742
<b>CTB</b>	\$762

**N7634K** Soap holder



<b>CP</b>	\$592
<b>PN</b>	\$644
<b>URB</b>	\$676
<b>SSB/SN/NL</b>	\$708
<b>URM</b>	\$732
<b>MBC</b>	\$762
<b>CTB</b>	\$796

**N7637K-LH** Paper holder



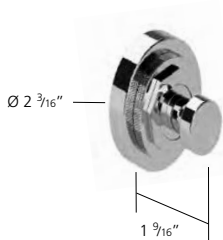
<b>CP</b>	\$568
<b>PN</b>	\$622
<b>URB</b>	\$656
<b>SSB/SN/NL</b>	\$676
<b>URM</b>	\$708
<b>MBC</b>	\$742
<b>CTB</b>	\$762

**N7635K** Tumbler holder



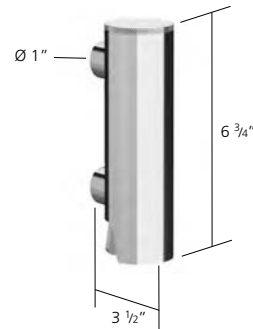
<b>CP</b>	\$592
<b>PN</b>	\$644
<b>URB</b>	\$676
<b>SSB/SN/NL</b>	\$708
<b>URM</b>	\$732
<b>MBC</b>	\$762
<b>CTB</b>	\$796

**N7632K** Robe hook



<b>CP</b>	\$334
<b>PN</b>	\$368
<b>URB</b>	\$388
<b>SSB/SN/NL</b>	\$398
<b>URM</b>	\$420
<b>MBC</b>	\$430
<b>CTB</b>	\$452

**N7705K** Liquid soap dispenser



<b>CP</b>	\$838
<b>PN</b>	\$912
<b>URB</b>	\$956
<b>SSB/SN/NL</b>	\$998
<b>URM</b>	\$1,040
<b>MBC</b>	\$1,104
<b>CTB</b>	\$1,144

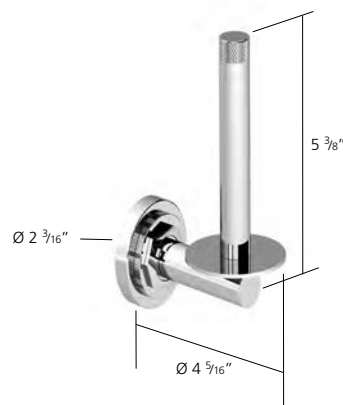
**Capacity:** Max 8 fl oz (US)

**N7648K** Single robe hook



<b>CP</b>	\$408
<b>PN</b>	\$452
<b>URB</b>	\$474
<b>SSB/SN/NL</b>	\$484
<b>URM</b>	\$506
<b>MBC</b>	\$528
<b>CTB</b>	\$548

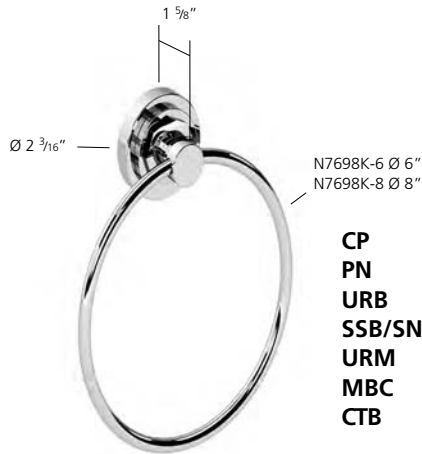
**N7691K** Spare paper holder



<b>CP</b>	\$612
<b>PN</b>	\$676
<b>URB</b>	\$708
<b>SSB/SN/NL</b>	\$742
<b>URM</b>	\$772
<b>MBC</b>	\$806
<b>CTB</b>	\$838

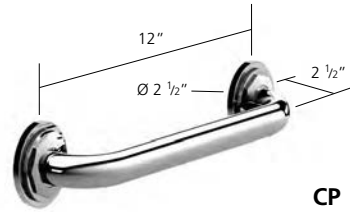
# LMK INDUSTRIAL Accessories

## N7698K-6, N7698K-8 Towel ring



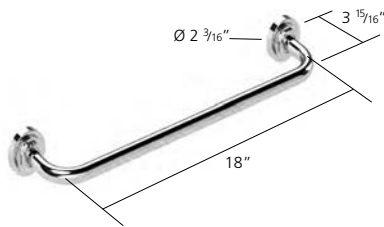
	N7698K-6	N7698K-8
<b>CP</b>	\$420	\$442
<b>PN</b>	\$462	\$484
<b>URB</b>	\$484	\$506
<b>SSB/SN/NL</b>	\$506	\$528
<b>URM</b>	\$528	\$548
<b>MBC</b>	\$548	\$568
<b>CTB</b>	\$558	\$592

## N7739K Grab rail



<b>CP</b>	\$1,332
<b>PN</b>	\$1,456
<b>URB</b>	\$1,520
<b>SSB/SN/NL</b>	\$1,582
<b>URM</b>	\$1,664
<b>MBC</b>	\$1,728
<b>CTB</b>	\$1,790

## N7655K Short towel rail



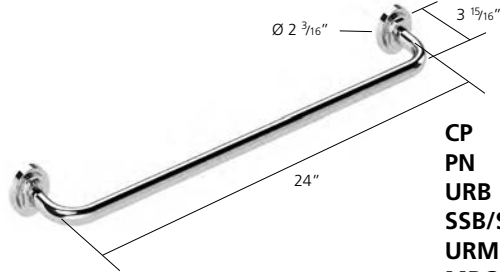
<b>CP</b>	\$1,040
<b>PN</b>	\$1,166
<b>URB</b>	\$1,208
<b>SSB/SN/NL</b>	\$1,270
<b>URM</b>	\$1,312
<b>MBC</b>	\$1,352
<b>CTB</b>	\$1,416

## L7642K Wall mounted toilet brush L7644K Freestanding toilet brush



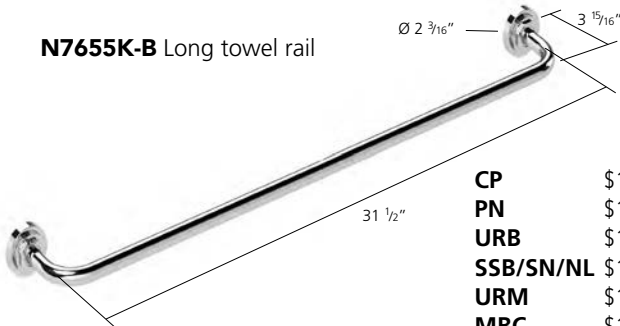
	L7642K	L7644K
<b>CP</b>	\$666	\$582
<b>PN</b>	\$752	\$666
<b>URB</b>	\$796	\$688
<b>SSB/SN/NL</b>	\$838	\$732
<b>URM</b>	\$880	\$772
<b>MBC</b>	\$902	\$796
<b>CTB</b>	\$902	\$796

## N7655K-A Medium towel rail



<b>CP</b>	\$1,062
<b>PN</b>	\$1,166
<b>URB</b>	\$1,208
<b>SSB/SN/NL</b>	\$1,270
<b>URM</b>	\$1,312
<b>MBC</b>	\$1,374
<b>CTB</b>	\$1,416

## N7655K-B Long towel rail



<b>CP</b>	\$1,104
<b>PN</b>	\$1,208
<b>URB</b>	\$1,270
<b>SSB/SN/NL</b>	\$1,312
<b>URM</b>	\$1,374
<b>MBC</b>	\$1,416
<b>CTB</b>	\$1,478

### Available finishes



**CP**  
chrome plate



**PN**  
polished nickel



**URB**  
urban brass



**SSB**  
satin nickel with  
matt black chrome



**SN(us15)**  
satin nickel finish



**NL**  
non lacquered



**URM**  
urban brass  
matt lacquered



**MBC**  
matt black chrome



**CTB**  
city bronze

Shower



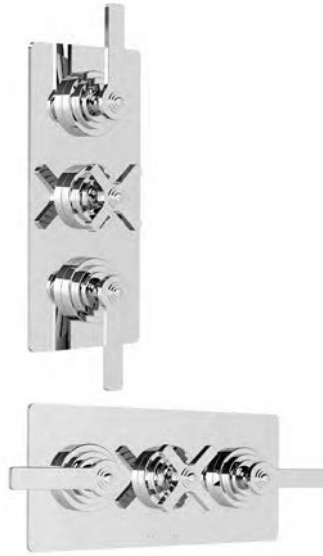
V700



V707



V701  
V711



V702  
V703  
V705



V7KA6



V7KA5



V7KA7



V7B1A



V7B2A

Lavatory and Bidet



V7KA09LF-LH  
V7KA10LF-LH



V7KA19LF-LH



V7KA31LF-LH



V7KA33LF



V7KA09LF-RH  
V7KA10LF-RH



V7KA19LF-RH



V7KA31LF-RH



V7KA14



V7KA15



V7KA16



Lavatory



V7KA20-1LF-LH  
Also available V7KA20-1LF-RH right handed  
Also available without plate



V7KA20-2LF-LH  
Also available V7KA20-2LF-RH right handed  
Also available without plate



V7KA20-3LF-LH  
Also available V7KA20-3LF-RH right handed  
Also available without plate



V7K17-1



V7K17-2



V7K17-3



Tub



V7KA37LF



V7KA38-1LF



V7KA38-2LF



V7KA39-1LF



V7KA39-2LF



V7KA36LF



V7KA48-1



V7KA48-2



Tub



V7K35-1LF-LH  
Also available V7K35-1LF-RH right handed  
Also available without plate



V7K35-2LF-LH  
Also available V7K35-2LF-RH right handed  
Also available without plate



V7K43-1LF  
Also available without plate



V7K43-2LF  
Also available without plate



V7KA44-1



V7KA44-2



V7KA44-1



V7KA44-2



V7K47-1



V7K47-2



V7K47-1



V7K47-2



V7KA41-LF



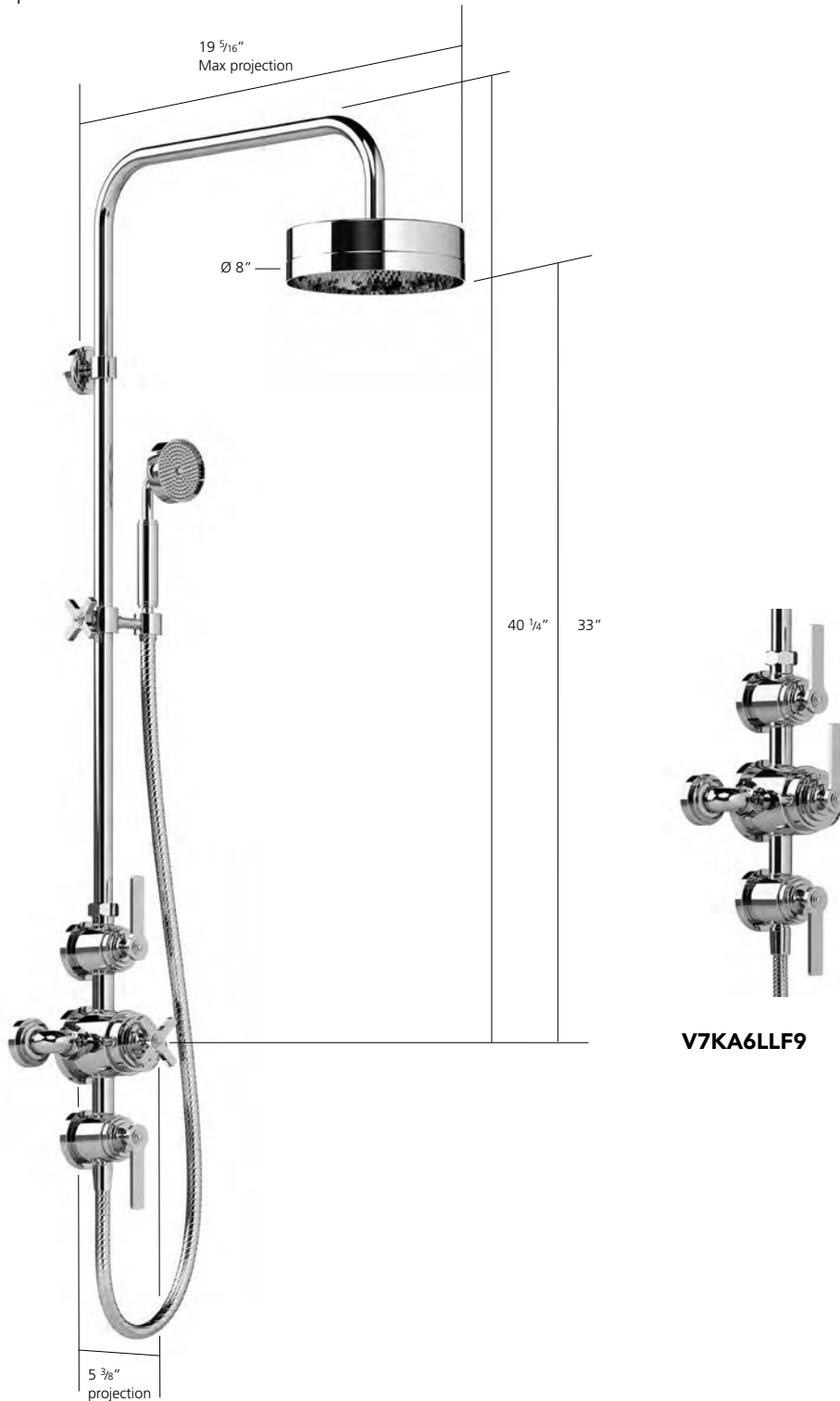
V777

W.C.

LMK - Pure is available to Approved, displaying dealers only.  
Includes water saving and low lead faucets.  
For accessories see pages 151 - 153

# LMK PURE Shower

## V7KA6XLF9 Exposed 1/2" thermostatic shower set



V7KA6LLF9

### Available finishes



### Fitting / Approvals

**Feeds:** 1/2"

**Centers:** 8"

*Height extensions are available, please contact our sales office*

V740 valve and V722 volume controls NSF approval pending

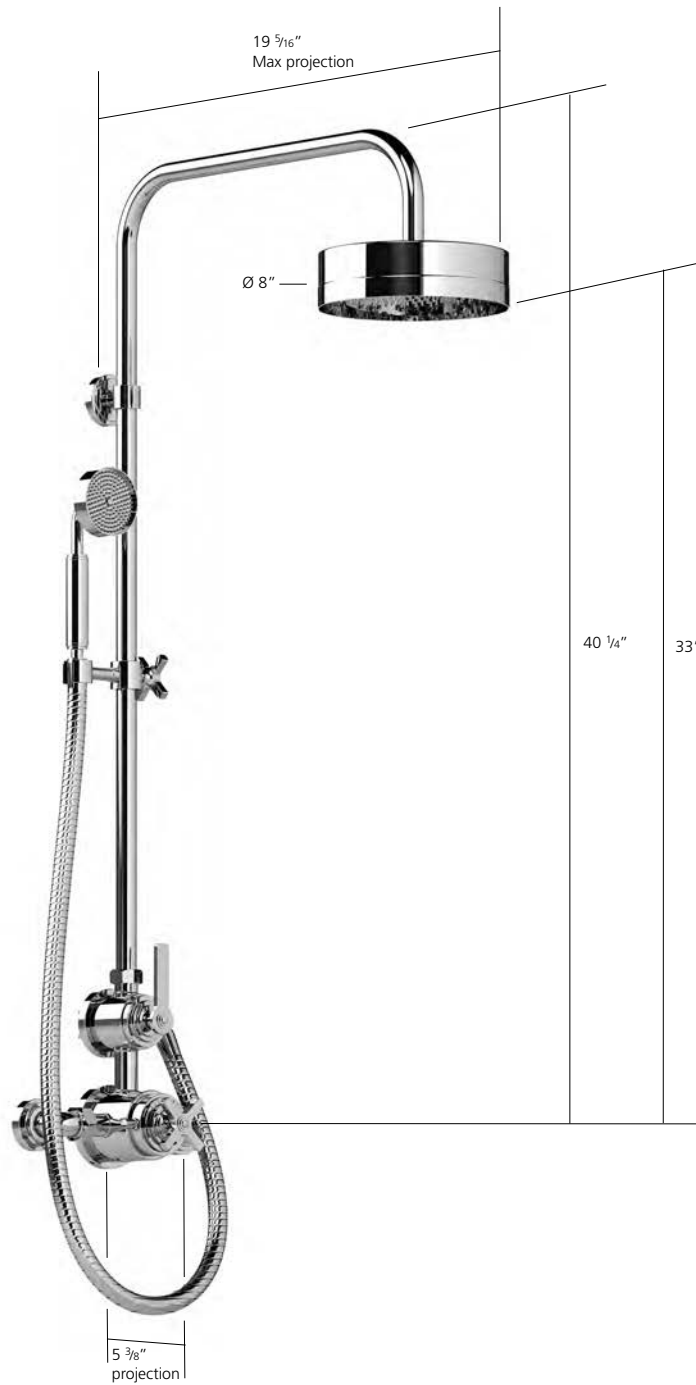
For swivel ball joint for shower head, order V987 on page 126

### Finishes

<b>CP</b>	\$10,526
<b>PN</b>	\$11,586
<b>URB</b>	\$12,336
<b>SSB/SN</b>	\$12,648
<b>NL</b>	\$12,648
<b>URM</b>	\$13,354
<b>MBC</b>	\$13,792
<b>CTB</b>	\$14,520

# LMK PURE Shower

## V7KA5XLF9 Exposed 1/2" thermostatic shower set



### Available finishes



**CP**  
chrome plate



**PN**  
polished nickel



**URB**  
urban brass



**SSB**  
stainless steel with  
matt black chrome



**SN(us15)**  
satin nickel finish



**NL**  
non lacquered



**URM**  
urban brass  
matt lacquered



**MBC**  
matt black chrome



**CTB**  
city bronze

### Fitting / Approvals

**Feeds:** 1/2"

**Centers:** 8"

*Height extensions are available, please contact our sales office*

V740 valve and V722 volume controls NSF approval pending

For swivel ball joint for shower head, order V987 on page 126

### Finishes

<b>CP</b>	\$9,610
<b>PN</b>	\$10,588
<b>URB</b>	\$11,296
<b>SSB/SN</b>	\$11,566
<b>NL</b>	\$11,566
<b>URM</b>	\$12,232
<b>MBC</b>	\$12,606
<b>CTB</b>	\$13,292

# LMK PURE Shower

V7KA7XLF9 Exposed 1/2" thermostatic shower set



### Available finishes



**CP**  
chrome plate



**PN**  
polished nickel



**URB**  
urban brass



**SSB**  
stainless steel with  
matt black chrome



**SN(us15)**  
satin nickel finish



**NL**  
non lacquered



**URM**  
urban brass  
matt lacquered



**MBC**  
matt black chrome



**CTB**  
city bronze

### Fitting / Approvals

**Feeds:** 1/2"

**Centers:** 8"

*Height extensions are available, please contact our sales office*

For swivel ball joint for shower head, order V987 on page 126

### Finishes

<b>CP</b>	\$8,238
<b>PN</b>	\$9,070
<b>URB</b>	\$9,632
<b>SSB/SN</b>	\$9,840
<b>NL</b>	\$9,840
<b>URM</b>	\$10,380
<b>MBC</b>	\$10,692
<b>CTB</b>	\$11,128

# LMK PURE Shower

**V7B2AXLF9** 1/2" Concealed thermostatic shower, 2 volume controls  
 includes V663-A easy clean shower head and V754-AF handshower.  
 Requires V135-AIS concealed valve



### Available finishes



**CP**  
chrome plate



**PN**  
polished nickel



**URB**  
urban brass



**SSB**  
stainless steel with  
matt black chrome



**SN(us15)**  
satin nickel finish



**NL**  
non lacquered



**URM**  
urban brass  
matt lacquered



**MBC**  
matt black chrome



**CTB**  
city bronze

### Fitting / Approvals

**Feeds:** 1/2" NPT

**Projection of valve:** 1 3/4"

Extension kits are available.

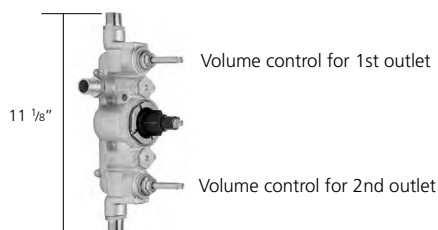
For swivel ball joint for shower head, order V987 on page 126

### Finishes

<b>CP</b>	\$6,220
<b>PN</b>	\$6,844
<b>URB</b>	\$7,384
<b>SSB/SN</b>	\$7,406
<b>NL</b>	\$7,406
<b>URM</b>	\$7,968
<b>MBC</b>	\$8,176
<b>CTB</b>	\$8,696

### V135-AIS Concealed thermostatic valve - rough

Requires V7B2AXLF9 This valve has 2 controlled outlets which can operate simultaneously



### Fitting / Approvals

**Feeds:** 1/2" NPT

**Fitting depth:** Min 4 1/4" - Max 4 11/16"  
 from finished tiled surface to rear of fixing,  
 when used with LMK.



### Finishes

<b>XX</b>	\$1,498
-----------	---------

Extension kits are available V135-EXT  
 adding 1" to fitting depth. If necessary  
 more than one extension kit can be used.  
 Please see page 307 for pricing.

**Mass. Code Approved**

# LMK PURE Shower

**V7B1AXLF9** 1/2" Concealed thermostatic shower, 2 volume controls  
 includes V663 easy clean shower head and V754 handshower.  
 Requires V135-AIS concealed valve



### Available finishes

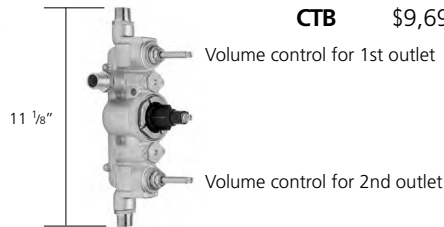


Fitting / Approvals	Finishes
---------------------	----------

**Feeds:** 1/2" NPT  
**Projection of valve:** 1 3/4"  
 Extension kits are available.  
 For swivel ball joint for shower head, order V987 on page 126

<b>CP</b>	\$6,990
<b>PN</b>	\$7,780
<b>URB</b>	\$8,320
<b>SSB/SN</b>	\$8,424
<b>NL</b>	\$8,424
<b>URM</b>	\$8,944
<b>MBC</b>	\$9,152
<b>CTB</b>	\$9,694

**V135-AIS** Concealed thermostatic valve - rough  
 Requires V7B1AXLF9 This valve has 2 controlled outlets which can operate simultaneously



Fitting / Approvals	Finishes
---------------------	----------

**Feeds:** 1/2" NPT  
**Fitting depth:** Min 4 1/4" - Max 4 11/16"  
 from finished tiled surface to rear of fixing, when used with LMK.



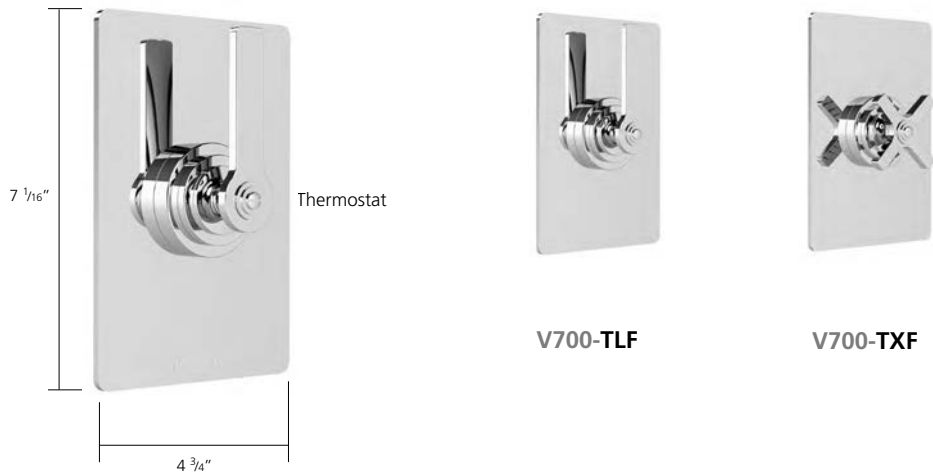
<b>XX</b>	\$1,498
-----------	---------

Extension kits are available V135-EXT adding 1" to fitting depth. If necessary more than one extension kit can be used. Please see page 307 for pricing.

**Mass. Code Approved**

# LMK PURE Shower

**V700-T** Trim set for V133-AIS thermostatic valve  
*Requires V133-AIS*



### Available finishes



### Fitting / Approvals

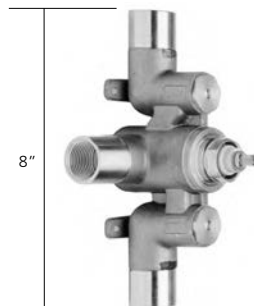
**Projection:** 1 3/4"  
**Options:** V707 Volume control  
**Mass. Code Approved**



### Finishes

CP	\$1,498
PN	\$1,644
URB	\$1,706
SSB/SN	\$1,790
NL	\$1,790
URM	\$1,852
MBC	\$1,936
CTB	\$1,998

**V133-AIS** Concealed thermostatic valve - rough  
*Requires V700-T. This valve has 2 open outlets. Use V707 for each*



### Fitting / Approvals

**Feeds:** 3/4" NPT  
**Fitting depth:** Min 4" - Max 4 1/2"  
 from finished tiled surface to rear of fixing,  
 when used with LMK.



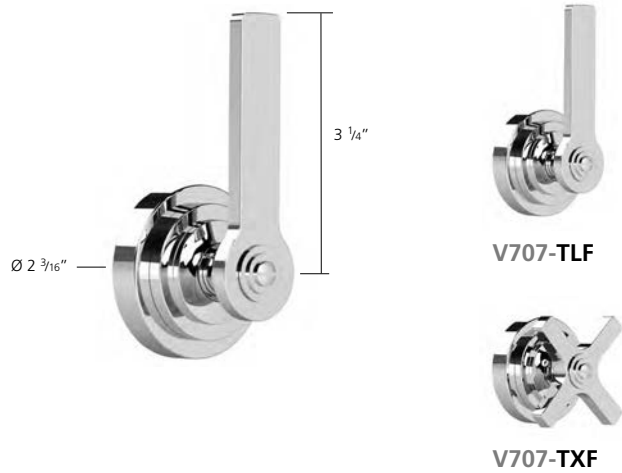
### Finishes

XX	\$922
----	-------

*Extension kits are available V133-EXT  
 adding 1" to fitting depth. If necessary  
 more than one extension kit can be used.  
 Please see page 307 for pricing.  
 Further outlets can be configured.  
**Mass. Code Approved***

# LMK PURE Shower

**V707-T** Trim set for V607-AIS volume control  
*Requires V607-AIS*



V707-TLF

V707-TXF

### Available finishes



### Fitting / Approvals

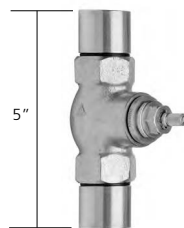
**Projection:** 1 9/16"

**Mass. Code Approved**

### Finishes

CP	\$772
PN	\$858
URB	\$892
SSB/SN	\$934
NL	\$934
URM	\$976
MBC	\$1,010
CTB	\$1,062

**V607-AIS** Concealed volume control - rough  
*Requires V707-T*



### Fitting / Approvals

**Feeds:** 3/4" NPT

**Fitting depth:** Min 2 3/8" - Max 2 3/4"  
 from finished tiled surface to rear of fixing,  
 when used with LMK.



### Finishes

XX	\$220
----	-------

Extension kits are available V607-EXT  
 adding 1" to fitting depth. If necessary  
 more than one extension kit can be used.  
 Please see page 307 for pricing.

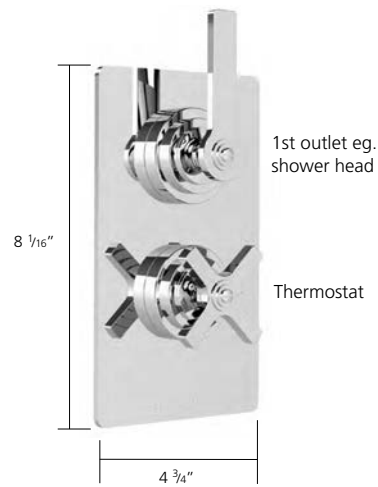
**CALGreen:** Compliant when used with our  
 C.E.C. shower heads or hand showers.

**Mass. Code Approved**

# LMK PURE Shower

## V701-TLF Trim set for V134-AIS thermostatic valve

Requires V134-AIS



### Available finishes



### Fitting / Approvals

Projection: 1 3/4"

Mass. Code Approved

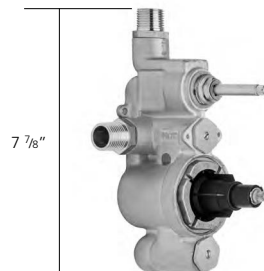


### Finishes

CP	\$2,144
PN	\$2,352
URB	\$2,456
SSB/SN	\$2,580
NL	\$2,580
URM	\$2,684
MBC	\$2,788
CTB	\$2,892

## V134-AIS Concealed thermostatic valve - rough

Requires V701-TLF. This valve has 1 controlled outlet



### Fitting / Approvals

Feeds: 1/2" NPT

Fitting depth: Min 4 1/4" - Max 4 11/16"  
from finished tiled surface to rear of fixing,  
when used with LMK.



### Finishes

XX	\$1,124
----	---------

Extension kits are available V134-EXT  
adding 1" to fitting depth. If necessary  
more than one extension kit can be used.  
Please see page 307 for pricing.

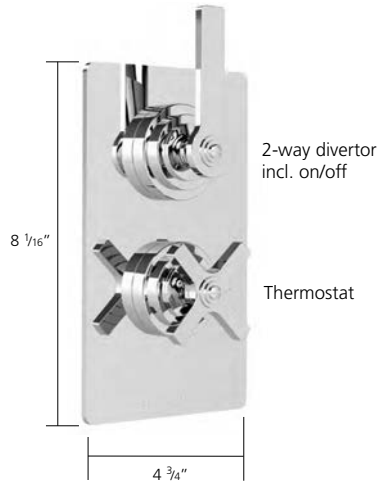
**CALGreen:** Compliant when used with our  
C.E.C. shower heads or hand showers.

**Mass. Code Approved**

# LMK PURE Shower

## V711-TLF Trim set for V111-AIS thermostatic valve

Requires V111-AIS



### Available finishes



### Fitting / Approvals

**Projection:** 1 3/4"  
**Mass. Code Approved**



### Finishes

CP	\$2,164
PN	\$2,372
URB	\$2,476
SSB/SN	\$2,600
NL	\$2,600
URM	\$2704
MBC	\$2,808
CTB	\$2,934

## V111-AIS Concealed thermostatic valve - rough

Requires V711-TLF. This valve has a 2-way diverter



### Fitting / Approvals

**Feeds:** 1/2" NPT  
**Fitting depth:** Min 4 1/4" - Max 4 5/8"  
from finished tiled surface to rear of fixing, when used with LMK.



### Finishes

XX	\$1,208
----	---------

Extension kits are available V111-EXT adding 1" to fitting depth. If necessary more than one extension kit can be used. Please see page 307 for pricing.

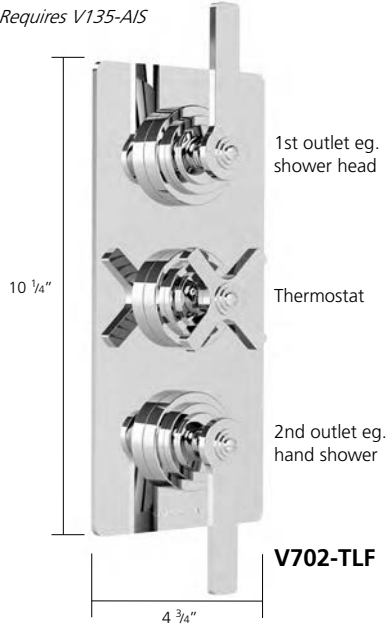
**CALGreen:** Compliant when used with our C.E.C. shower heads or hand showers.

**Mass. Code Approved**

# LMK PURE Shower

## V702-TLF, V705-TLF Trim set for V135-AIS thermostatic valve - 2 separate volume controls

Requires V135-AIS



V705-TLF

### Available finishes



### Fitting / Approvals

Projection: 1 3/4"

Mass. Code Approved

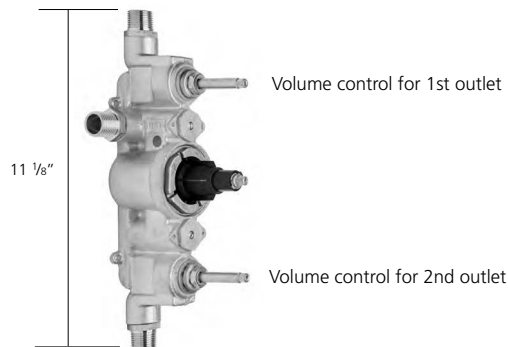


### Finishes

	V702-TLF	V705-TLF
CP	\$2,996	\$2,996
PN	\$3,288	\$3,288
URB	\$3,432	\$3,432
SSB/SN	\$3,600	\$3,600
NL	\$3,600	\$3,600
URM	\$3,744	\$3,744
MBC	\$3,890	\$3,890
CTB	\$4,036	\$4,036

## V135-AIS Concealed thermostatic valve - rough

Requires V702-TLF or V705-TLF This valve has 2 controlled outlets which can operate simultaneously



### Fitting / Approvals

Feeds: 1/2" NPT

Fitting depth: Min 4 1/4" - Max 4 11/16"  
from finished tiled surface to rear of fixing, when used with LMK.



### Finishes

XX \$1,498

Extension kits are available V135-EXT adding 1" to fitting depth. If necessary more than one extension kit can be used.

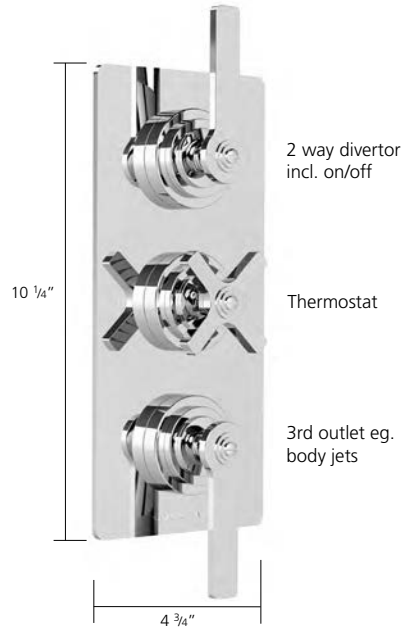
Please see page 307 for pricing.

Mass. Code Approved

# LMK PURE Shower

## V703-TLF Trim set for V132-AIS thermostatic valve - 2- way diverter with volume control for 3rd outlet

Requires V132-AIS



### Available finishes



### Fitting / Approvals

Projection: 1 3/4"  
Mass. Code Approved

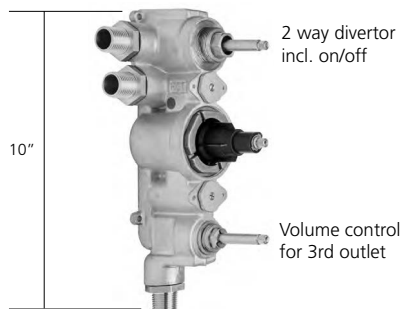


### Finishes

CP	\$2,996
PN	\$3,288
URB	\$3,432
SSB/SN	\$3,600
NL	\$3,600
URM	\$3,744
MBC	\$3,890
CTB	\$4,036

## V132-AIS Concealed thermostatic valve - rough

Requires V703-TLF. This valve has a two-way diverter plus an extra controlled outlet giving 3 options



### Fitting / Approvals

Feeds: 3/4" NPT  
Fitting depth: Min 4 1/4" - Max 4 5/8"  
from finished tiled surface to rear of fixing,  
when used with LMK.



### Finishes

XX	\$1,602
----	---------

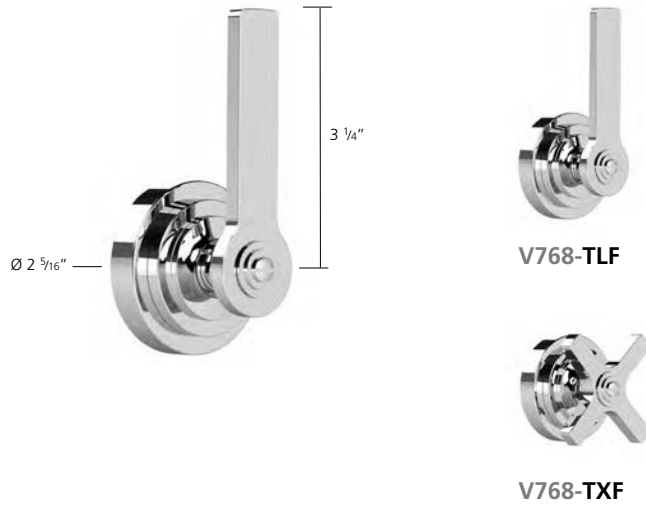
Extension kits are available V132-EXT  
adding 1" to fitting depth. If necessary  
more than one extension kit can be used.  
Please see page 307 for pricing.

Mass. Code Approved

# LMK PURE Shower

## V768-T Trim set for V168-AIS concealed 3 way divertor

Requires V168-AIS



### Available finishes



### Fitting / Approvals

**Projection:** Max 1 9/16"  
**Mass. Code Approved**



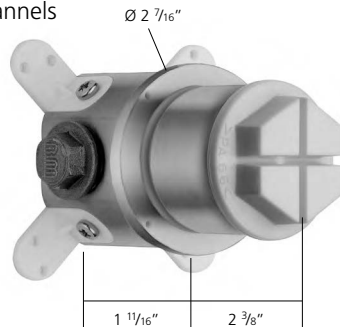
### Finishes

CP	\$784
PN	\$870
URB	\$902
SSB/SN	\$946
NL	\$946
URM	\$986
MBC	\$1,020
CTB	\$1,062

## V168-AIS Concealed 3-way divertor rough

Requires V768-T

- One inlet, three outlets (one can be closed off)
- Divertor does not share water channels



### Fitting / Approvals

**Inlet & outlets:** 1/2" NPT  
**Fitting depth:** Min 4 1/8" - Max 4 1/2"  
 from finished tiled surface to rear of fixing,  
 when used with LMK.  
 Extension kits are available, please see page 307  
 for pricing.

**CALGreen:** Compliant when used with our  
 C.E.C. shower heads or hand showers.  
 Can be used for deck mounting providing the  
 unit is supported sufficiently.

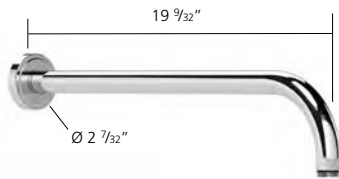
**Mass. Code Approved**



### Finishes

XX	\$720
----	-------

**V762-A** 1/2" Overhead shower arm



Fitting / Approvals	Finishes		
Feed: 1/2" NPT	<b>CP</b>	\$838	
	<b>PN</b>	\$922	
	<b>URB</b>	\$966	
	<b>SN/NL</b>	\$966	
	<b>URM</b>	\$1,062	
	<b>MBC</b>	\$1,104	
	<b>CTB</b>	\$1,144	

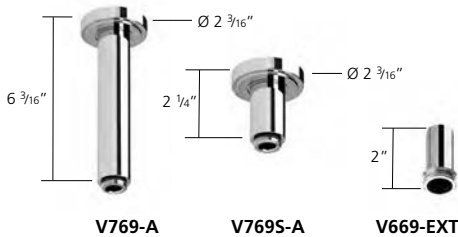
**V663-A, V663-B** 8" Easy clean shower head

For swivel ball joint order V987 on page 126



Fitting / Approvals	Flow rates	Finishes	
Thread: 1/2"	Flow < 1.8 gpm Min. 45 psi	<b>CP</b>	\$838
C US		<b>PN</b>	\$946
<b>C.E.C. Approved</b>	V663-B Higher flow rate (2.5gpm) also available (not approved)	<b>URB</b>	\$1,144
<b>Mass. Code</b>		<b>SN/NL</b>	\$986
<b>Approved</b>		<b>URM</b>	\$1,144
		<b>MBC</b>	\$1,124
		<b>CTB</b>	\$1,144

**V769-A, V769S-A, V669-EXT** 1/2" Ceiling tube for shower head



- V669-EXT extension piece can replace the 6 3/16" tube to give a 2" projection for fitting close to ceiling
- More than one V669-EXT extension pieces can be used

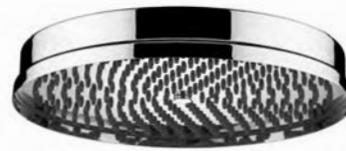
Fitting / Approvals	Finishes		
Feed: 1/2" NPT	<b>V769-A</b>	<b>V769S-A</b>	<b>V669-EXT</b>
	<b>CP</b>	\$420	\$324
	<b>PN</b>	\$462	\$368
	<b>URB</b>	\$474	\$378
	<b>SN/NL</b>	\$474	\$378
	<b>URM</b>	\$516	\$408
	<b>MBC</b>	\$538	\$430
	<b>CTB</b>	\$558	\$442

**V665-A, V665-B** 12" Easy clean shower head

For swivel ball joint order V987 on page 126

Due to its weight this product is best used with a ceiling tube.

If used with exposed pipework additional support brackets will be required.



Some nozzles may not give full flow due to the strict limitations of flow required by C.E.C.

Fitting / Approvals	Flow rates	Finishes	
Thread: 1/2"	Flow < 1.8 gpm Min. 45 psi	<b>CP</b>	\$1,582
C US		<b>PN</b>	\$1,748
<b>C.E.C. Approved</b>	V665-B Higher flow rate (2.5gpm) also available (not approved)	<b>URB</b>	\$1,790
<b>Mass. Code</b>		<b>SN/NL</b>	\$1,790
<b>Approved</b>		<b>URM</b>	\$1,956
		<b>MBC</b>	\$2,060
		<b>CTB</b>	\$2,102

**V779-A, V779-B** Adjustable, 6-jet easy clean shower head



Fitting / Approvals	Flow rates	Finishes	
Feed: 1/2" NPT	V779-B Higher flow rate (2.5gpm) also available (not approved)	<b>CP</b>	\$976
C US		<b>PN</b>	\$1,082
<b>C.E.C. Approved</b>		<b>URB</b>	\$1,144
<b>Mass. Code Approved</b>		<b>SN/NL</b>	\$1,144
		<b>URM</b>	\$1,228
		<b>MBC</b>	\$1,270
		<b>CTB</b>	\$1,332

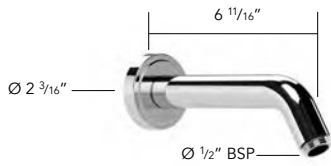
**V779-8A, V779-8B** Adjustable, 8-jet easy clean shower head




Fitting / Approvals	Flow rates	Finishes	
Feed: 1/2" NPT	V779-8B Higher flow rate (2.5gpm) also available (not approved)	<b>CP</b>	\$1,062
Approval pending		<b>PN</b>	\$1,166
		<b>URB</b>	\$1,228
		<b>SN/NL</b>	\$1,228
		<b>URM</b>	\$1,332
		<b>MBC</b>	\$1,374
		<b>CTB</b>	\$1,436

# LMK PURE Shower

## V779ARM-A Arm and rose




Fitting / Approvals	Flow rates	Finishes
Thread: 1/2" NPT		<b>CP</b> \$530
		<b>PN</b> \$584
		<b>URB</b> \$610
		<b>SN/NL</b> \$636
		<b>URM</b> \$662
		<b>MBC</b> \$690
		<b>CTB</b> \$716

## V189 12" Easy clean shower head

Due to its weight this product is best used with a ceiling tube. If used with exposed pipework additional support brackets will be required.





Some nozzles may not give full flow due to the strict limitations of flow required by C.E.C.

Fitting / Approvals	Flow rates	Finishes
Thread: 1/2"		<b>CP</b> \$1,478
		<b>PN</b> \$1,624
		<b>SN(us15)</b> \$1,706


## V178-A, V178-B 8" Easy clean shower head



Fitting / Approvals	Flow rates	Finishes
Thread: 1/2"		<b>CP</b> \$494
	Flow < 1.8 gpm Min. 45 psi	<b>PN</b> \$602
<b>C.E.C. Approved</b>	V178-B Higher flow rate (2.5gpm) also available	<b>URB</b> \$1,010
<b>Mass. Code Approved</b>	(not approved)	<b>SN/NL</b> \$732
		<b>URM</b> \$1,010
		<b>MBC</b> \$720
		<b>CTB</b> \$1,010


## V198 4 3/4" Dual function easy clean shower head



Fitting / Approvals	Flow rates	Finishes
Thread: 1/2"		<b>CP</b> \$442
	Min. 45 psi	


## V188 8" Easy clean shower head



Fitting / Approvals	Flow rates	Finishes
Thread: 1/2"		<b>CP</b> \$1,010
	Min. 45 psi	<b>PN</b> \$1,124
		<b>SN(us15)</b> \$1,166

## V378 8" Square easy clean shower head




Fitting / Approvals	Flow rates	Finishes
Thread: 1/2"		<b>CP</b> \$1,352
	Min. 45 psi	<b>PN</b> \$1,498
		<b>SN(us15)</b> \$1,560

## V379 12" Square easy clean shower head

Due to its weight this product is best used with a ceiling tube. If used with exposed pipework additional support brackets will be required.



Some nozzles may not give full flow due to the strict limitations of flow required by C.E.C.

Fitting / Approvals	Flow rates	Finishes
Thread: 1/2"		<b>CP</b> \$1,832
		<b>PN</b> \$2,018
		<b>SN(us15)</b> \$2,102

# LMK PURE Shower

## V987 Swivel ball joint

For use with V663-A and V665-A shower heads.



Fitting / Approvals	Finishes
Thread: 1/2"	CP \$88
	PN \$102
	URB \$116
	SN/NL \$116
	URM \$126
	MBC \$162
	CTB \$172



## V766-A Combined wall outlet / bracket



Fitting / Approvals	Finishes
Feed: 1/2"	CP \$258
	PN \$280
	URB \$302
	SN/NL \$302
	URM \$344
	MBC \$344
	CTB \$354

## V764-A Wall outlet



Fitting / Approvals	Finishes
Feed: 1/2" NPT	CP \$228
	PN \$248
	URB \$258
	SN/NL \$258
	URM \$280
	MBC \$292
	CTB \$302

## V780-F Tub boss for hand shower



Finishes
CP \$408
PN \$442
URB \$462
SSB/SN/NL \$484
URM \$506
MBC \$528
CTB \$548

## V783 Angle bracket



Fitting / Approvals	Finishes
Feed: 1/2"	CP \$246
	PN \$270
	URB \$280
	SN/NL \$280
	URM \$302
	MBC \$312
	CTB \$334

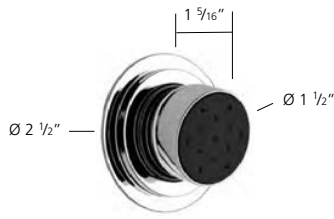
## V767 Wall bracket



Finishes
CP \$408
PN \$452
URB \$474
SN/NL \$474
URM \$506
MBC \$528
CTB \$548

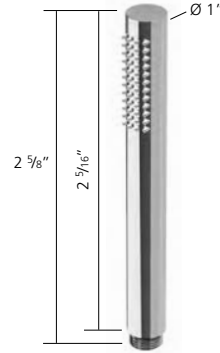
# LMK PURE Shower



## V276-A Body jet (high flow)



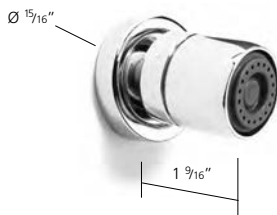
Fitting / Approvals	Finishes		
Feed: 1/2"	<b>CP</b>	\$592	
	<b>PN</b>	\$688	
	<b>URB</b>	\$806	
	<b>SN/NL</b>	\$688	
	<b>URM</b>	\$838	
	<b>MBC</b>	\$772	
	<b>CTB</b>	\$858	

## V182-A Easy clean hand shower



Fitting / Approvals	Flow rates	Finishes	
Thread: 1/2"	 Flow < 1.8 gpm	<b>CP</b>	\$312
 C US C.E.C. Approved Mass. Code Approved		<b>PN</b>	\$344
	<b>URB</b>	\$354	
	<b>SN/NL</b>	\$354	
	<b>URM</b>	\$388	
	<b>MBC</b>	\$398	
	<b>CTB</b>	\$420	



## V176-A 1/2" Body jet



Fitting / Approvals	Finishes		
Feed: 1/2"	<b>CP</b>	\$302	
	<b>PN</b>	\$378	
	<b>URB</b>	\$442	
	<b>SN/NL</b>	\$442	
	<b>URM</b>	\$484	
	<b>MBC</b>	\$538	
	<b>CTB</b>	\$666	

## V754-AF Easy clean hand shower



Fitting / Approvals	Flow rates	Finishes	
Thread: 1/2"	 Flow < 1.8 gpm	<b>CP</b>	\$752
 C US C.E.C. Approved Mass. Code Approved		<b>PN</b>	\$826
	<b>URB</b>	\$870	
	<b>SSB/SN/NL</b>	\$902	
	<b>URM</b>	\$946	
	<b>MBC</b>	\$976	
	<b>CTB</b>	\$1,020	

## V165, V941, V942 Hoses



Fitting / Approvals	Finishes			
Thread: 1/2"	<b>V165</b>	<b>V941</b>	<b>V942</b>	
	<b>CP</b>	\$134	\$134	\$152
	<b>PN</b>	\$152	\$152	\$170
	<b>URB</b>	\$224	\$224	\$238
	<b>SN/NL</b>	\$224	\$224	\$238
	<b>URM</b>	\$280	\$280	\$292
	<b>MBC</b>	\$280	\$280	\$292
	<b>CTB</b>	\$484	\$484	\$494

## V79... Optional indices



V790-F (Plain)



V791-F-H (Hot)



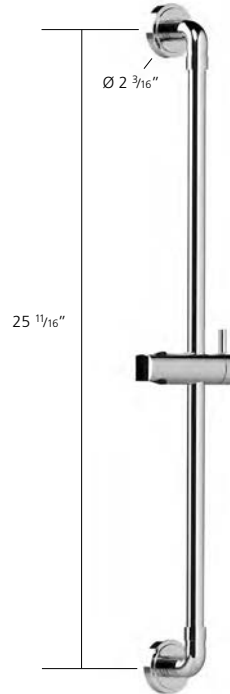
V791-F-C (Cold)

Finishes	
<b>CP</b>	\$84
<b>PN</b>	\$94
<b>URB</b>	\$98
<b>SN/NL</b>	\$98
<b>URM</b>	\$104
<b>MBC</b>	\$112
<b>CTB</b>	\$116

**V770A-KITF** Slider rail kit



**V770** Slider rail



Fitting	Finishes	
<b>Feed:</b> 1/2"	<b>CP</b>	\$2,310
Flow < 1.8 gpm	<b>PN</b>	\$2,642
	<b>URB</b>	\$2,768
	<b>SSB/SN/NL</b>	\$2,892
	<b>URM</b>	\$3,038
	<b>MBC</b>	\$3,004
	<b>CTB</b>	\$3,370

Finishes	
<b>CP</b>	\$1,186
<b>PN</b>	\$1,394
<b>URB</b>	\$1,394
<b>SN/NL</b>	\$1,498
<b>URM</b>	\$1,498
<b>MBC</b>	\$1,498
<b>CTB</b>	\$1,560

**Available finishes**



**CP**  
chrome plate



**PN**  
polished nickel



**URB**  
urban brass



**SSB**  
stainless steel with  
matt black chrome



**SN(us15)**  
satin nickel finish



**NL**  
non lacquered



**URM**  
urban brass  
matt lacquered

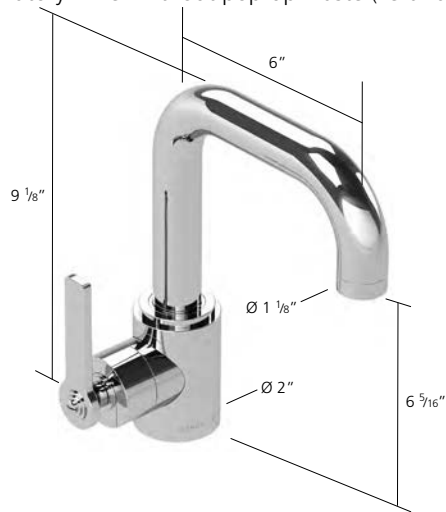





**MBC**  
matt black chrome



**CTB**  
city bronze

**V7KA09LF-LH** Single lever lavatory mixer with pop-up waste (Left handed)  
**V7KA10LF-LH** Single lever lavatory mixer without pop-up waste (Left handed)






Fitting / Approvals		Flow rates	Finishes		
Feeds: 1/2"	 	 Flow <1.2 gpm	<b>V7KA09</b>	<b>V7KA10</b>	
Max deck thickness: 1 1/2"			<b>CP</b>	\$2,372	\$2,288
Max drill hole: 1 5/8"			<b>PN</b>	\$2,622	\$2,538
C.E.C. Approved (V709-ALL-F) Mass. Code Approved (V710-ALL-F)			<b>URB</b>	\$2,726	\$2,642
			<b>SSB/SN/NL</b>	\$2,830	\$2,746
			<b>URM</b>	\$2,976	\$2,872
			<b>MBC</b>	\$3,100	\$2,976
			<b>CTB</b>	\$3,204	\$3,100

**V7KA09LF-RH** Single lever lavatory mixer with pop-up waste (Right handed)  
**V7KA10LF-RH** Single lever lavatory mixer without pop-up waste (Right handed)




Available finishes



Fitting / Approvals		Flow rates	Finishes		
Feeds: 1/2"	 	 Flow <1.2 gpm	<b>V7KA09</b>	<b>V7KA10</b>	
Max deck thickness: 1 1/2"			<b>CP</b>	\$2,372	\$2,288
Max drill hole: 1 5/8"			<b>PN</b>	\$2,622	\$2,538
C.E.C. Approved (V709-ALL-F) Mass. Code Approved (V710-ALL-F)			<b>URB</b>	\$2,726	\$2,642
			<b>SSB/SN/NL</b>	\$2,830	\$2,746
			<b>URM</b>	\$2,976	\$2,872
			<b>MBC</b>	\$3,100	\$2,976
			<b>CTB</b>	\$3,204	\$3,100

**V7KA19LF-LH** Single lever bidet mixer with pop-up waste (Left handed)




Fitting / Approvals	Flow rates	Finishes
<b>Feeds:</b> 1/2" <b>Max deck thickness:</b> 1 1/2" <b>Max drill hole:</b> 1 5/8"	 Flow <3.5 gpm	<b>CP</b> \$2,476 <b>PN</b> \$2,726 <b>URB</b> \$2,850 <b>SSB/SN/NL</b> \$2,976 <b>URM</b> \$3,100 <b>MBC</b> \$3,224 <b>CTB</b> \$3,350

**V7KA19LF-RH** Single lever bidet mixer with pop-up waste (Right handed)



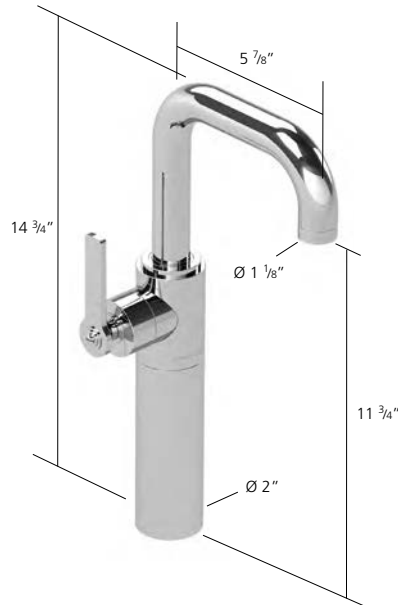
Available finishes






Fitting / Approvals	Flow rates	Finishes
<b>Feeds:</b> 1/2" <b>Max deck thickness:</b> 1 1/2" <b>Max drill hole:</b> 1 5/8"	 Flow <3.5 gpm	<b>CP</b> \$2,476 <b>PN</b> \$2,726 <b>URB</b> \$2,850 <b>SSB/SN/NL</b> \$2,976 <b>URM</b> \$3,100 <b>MBC</b> \$3,224 <b>CTB</b> \$3,350

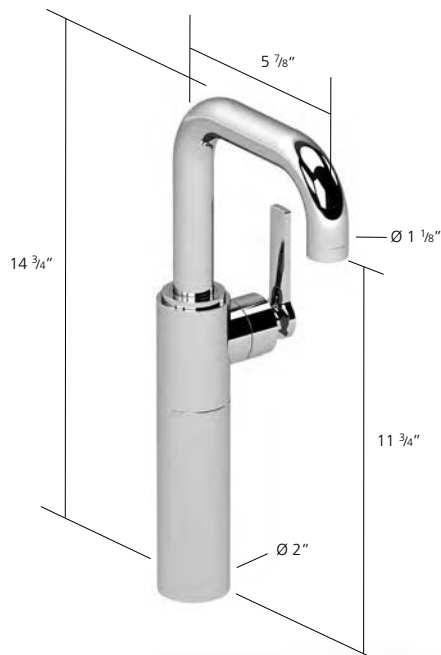
# LMK PURE Lavatory

**V7KA31LF-LH** Tall single lever lavatory mixer (Left handed)






Fitting / Approvals	Flow rates	Finishes
Feeds: 1/2" Max deck thickness: 1 3/8" Max drill hole: 1 3/8"   C.E.C. Approved Mass. Code Approved		<b>CP</b> \$2,808 <b>PN</b> \$3,100 <b>URB</b> \$3,246 <b>SSB/SN/NL</b> \$3,370 <b>URM</b> \$3,516 <b>MBC</b> \$3,662 <b>CTB</b> \$3,808

**V7KA31LF-RH** Tall single lever lavatory mixer (Right handed)

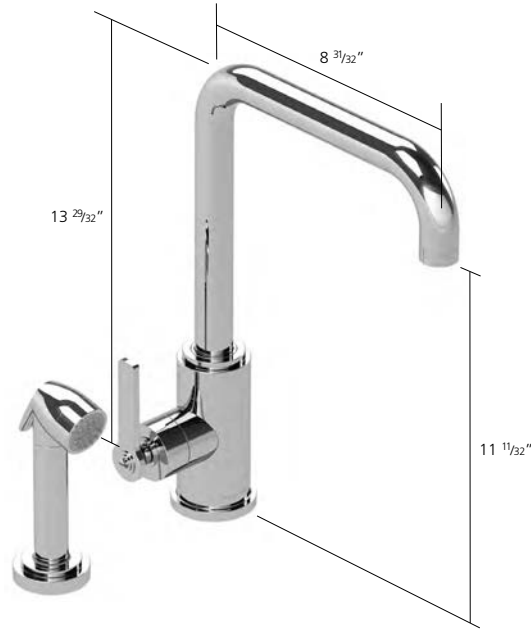


**Available finishes**



Fitting / Approvals	Flow rates	Finishes
Feeds: 1/2" Max deck thickness: 1 3/8" Max drill hole: 1 3/8"   C.E.C. Approved Mass. Code Approved		<b>CP</b> \$2,808 <b>PN</b> \$3,100 <b>URB</b> \$3,246 <b>SSB/SN/NL</b> \$3,370 <b>URM</b> \$3,516 <b>MBC</b> \$3,662 <b>CTB</b> \$3,808

V7KA33LF Single lever kitchen mixer with hand spray



Available finishes



Fitting / Approvals

Feeds: 1/2"  
 Max deck thickness: 1 1/2"  
 Max drill hole: 1 5/8" hand spray  
 Max drill hole: 1 3/8" spout

Flow rates



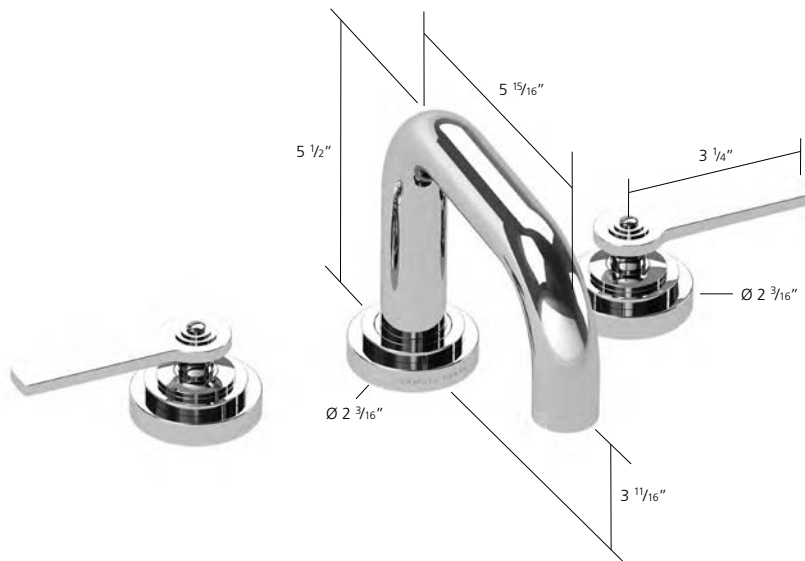
Flow <1.0 gpm faucet  
 Flow <2.0 gpm hand spray

Finishes

CP	\$2,870
PN	\$3,158
URB	\$3,300
SSB/SN/NL	\$3,444
URM	\$3,588
MBC	\$3,732
CTB	\$3,874

# LMK PURE Lavatory

**V7KA14** 3 hole lavatory mixer with pop-up waste, low spout



**V7KA14F**



**V7KA14XF**

### Available finishes



**CP**  
chrome plate



**PN**  
polished nickel



**URB**  
urban brass



**SSB**  
stainless steel with  
matt black chrome



**SN(us15)**  
satin nickel finish



**NL**  
non lacquered



**URM**  
urban brass  
matt lacquered



**MBC**  
matt black chrome



**CTB**  
city bronze

### Fitting / Approvals

Feeds: 1/2"

Max deck thickness: 1 9/16"

Max drill hole: 1 9/16" side valve

Max drill hole: 1 3/4" spout



C.E.C. Approved

Mass. Code Approved

Without pop-up waste: order eg. V7KA14LFPN

### Flow rates

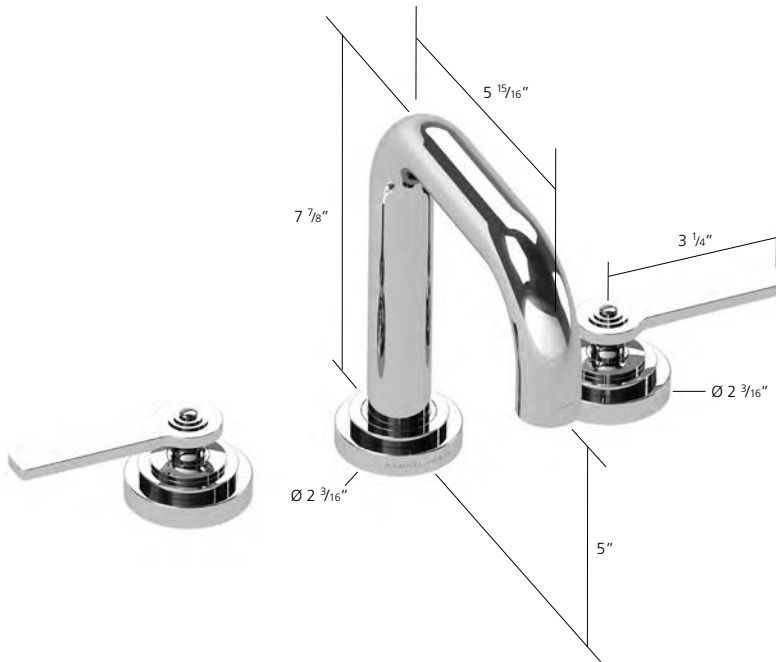


Flow <1.2 gpm

### Finishes

	With PUW	No PUW
<b>CP</b>	\$2,684	\$2,580
<b>PN</b>	\$2,954	\$2,830
<b>URB</b>	\$3,080	\$2,976
<b>SSB/SN/NL</b>	\$3,184	\$3,058
<b>URM</b>	\$3,350	\$3,224
<b>MBC</b>	\$3,474	\$3,350
<b>CTB</b>	\$3,620	\$3,474

**V7KA15** 3 hole lavatory mixer with pop-up waste, medium spout



**V7KA15LF**



**V7KA15XF**

**Available finishes**



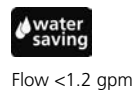
**Fitting / Approvals**

**Feeds:** 1/2"  
**Max deck thickness:** 1 9/16"  
**Max drill hole:** 1 9/16" side valve  
**Max drill hole:** 1 3/4" spout



**C.E.C. Approved**  
**Mass. Code Approved**  
 Without pop-up waste: order eg. V7KA15LFNP

**Flow rates**

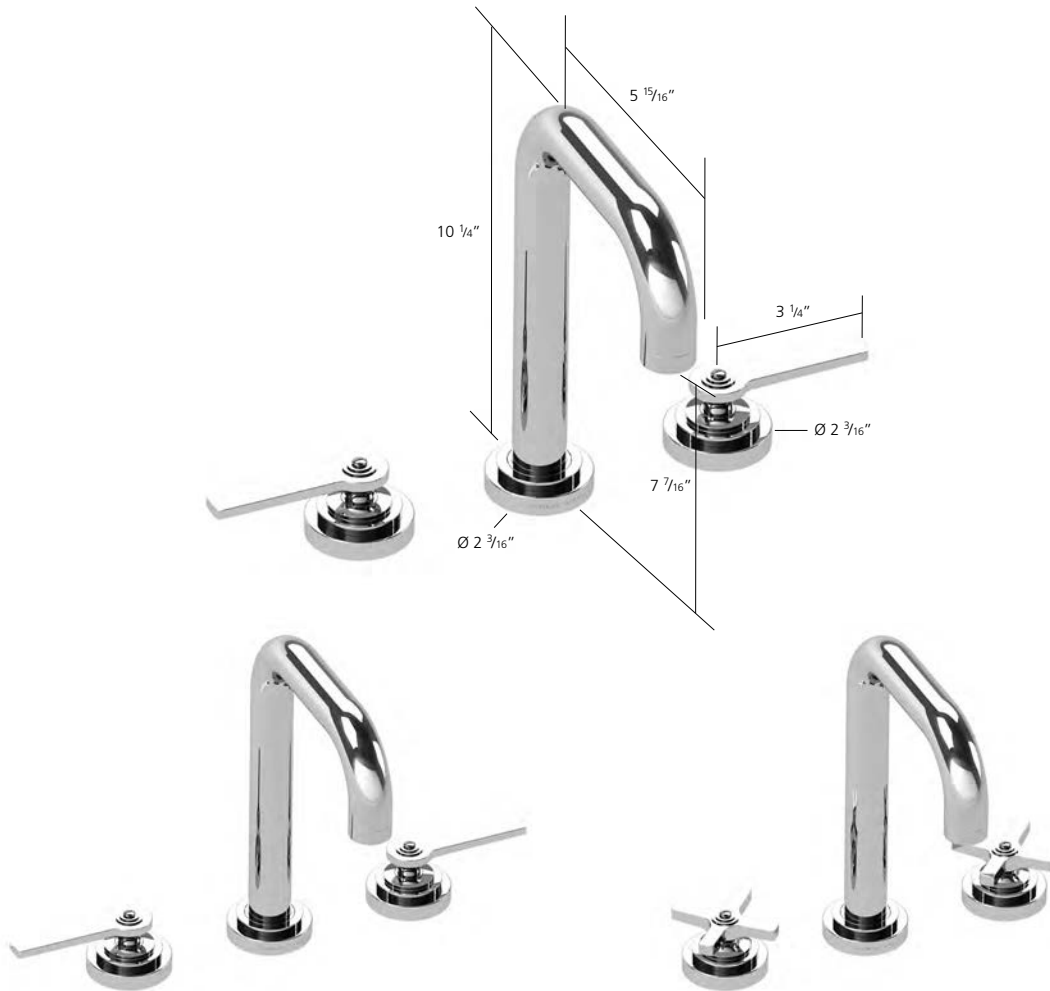


**Finishes**

	With PUW	No PUW
<b>CP</b>	\$2,768	\$2,726
<b>PN</b>	\$3,038	\$3,016
<b>URB</b>	\$3,184	\$3,142
<b>SSB/SN/NL</b>	\$3,308	\$3,266
<b>URM</b>	\$3,454	\$3,412
<b>MBC</b>	\$3,600	\$3,536
<b>CTB</b>	\$3,744	\$3,682

# LMK PURE Lavatory

## V7KA16 3 hole lavatory mixer with pop-up waste, high spout



V7KA16LF


V7KA16XF

### Available finishes



### Fitting / Approvals      Flow rates      Finishes

Feeds: 1/2"  
 Max deck thickness: 1 9/16"  
 Max drill hole: 1 9/16" side valve  
 Max drill hole: 1 3/4" spout

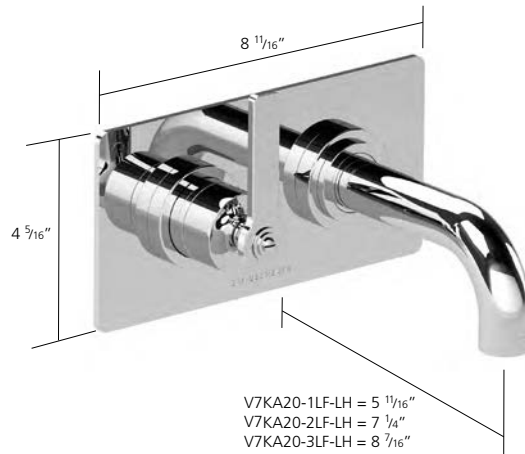
 **water saving**  
 Flow < 1.2 gpm

	With PUW	No PUW
CP	\$2,976	\$2,830
PN	\$3,266	\$3,120
URB	\$3,412	\$3,266
SSB/SN/NL	\$3,516	\$3,370
URM	\$3,704	\$3,536
MBC	\$3,848	\$3,682
CTB	\$3,994	\$3,828






C.E.C. Approved  
 Mass. Code Approved (V716-ALL)  
 Without pop-up waste: order eg. V7KA16LFNP

**V7KA20-1LF-LH, V7KA20-2LF-LH, V7KA20-3LF-LH** Wall mounted lavatory mixer, trim set  
(3 spout lengths) left handed  
*requires V720-LH-AIS*



**Available finishes**



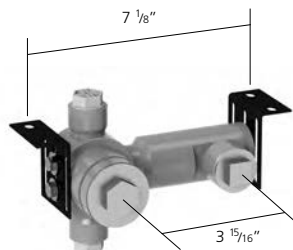
Fitting / Approvals	Flow rates	Finishes	V7KA20-1LF-LH	V7KA20-2LF-LH	V7KA20-3LF-LH	
   Flow <1.2 gpm C.E.C. Approved Mass. Code Approved			<b>CP</b>	\$2,560	\$2,580	\$2,622
			<b>PN</b>	\$2,808	\$2,830	\$2,892
			<b>URB</b>	\$2,954	\$2,976	\$3,016
			<b>SSB/SN/NL</b>	\$3,058	\$3,080	\$3,142
			<b>URM</b>	\$3,204	\$3,224	\$3,288
			<b>MBC</b>	\$3,328	\$3,350	\$3,412
			<b>CTB</b>	\$3,454	\$3,474	\$3,536




Also now available without trim plate. **V7KA20-1LF-NP, V7KA20-2LF-NP, V7KA20-3LF-NP**  
Can be mounted left or right handed using **V720-LH-AIS** or **V720-RH-AIS**

	V7KA20-1LF-NP	V7KA20-2LF-NP	V7KA20-3LF-NP
<b>CP</b>	\$2,330	\$2,352	\$2,392
<b>PN</b>	\$2,580	\$2,580	\$2,622
<b>URB</b>	\$2,684	\$2,704	\$2,746
<b>SSB/SN/NL</b>	\$2,788	\$2,788	\$2,850
<b>URM</b>	\$2,912	\$2,934	\$2,976
<b>MBC</b>	\$3,038	\$3,058	\$3,100
<b>CTB</b>	\$3,142	\$3,162	\$3,224

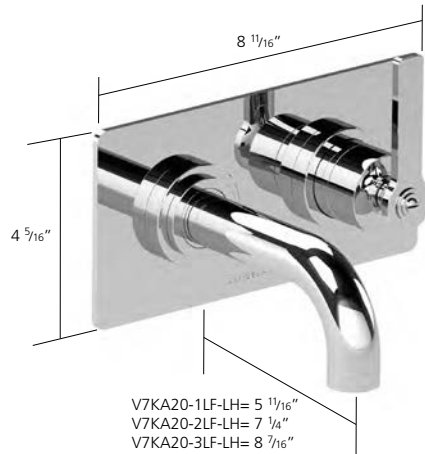
**V720-LH-AIS** Left handed rough - only for use with LMK



Fitting / Approvals	Finitions
<b>Feeds:</b> 1/2" NPT <b>Fitting depth:</b> Min 2 7/8" - Max 3 5/16" from finished tiled surface to rear of fixing, Fitting brackets can be rotated 90 degrees	<b>XX</b> \$772
 C.E.C. Approved Mass. Code Approved	





# LMK PURE Lavatory

**V7KA20-1LF-RH, V7KA20-2LF-RH, V7KA20-3LF-RH** Wall mounted lavatory mixer, trim set  
(3 spout lengths) right handed  
*requires V720-RH-AIS*



### Available finishes

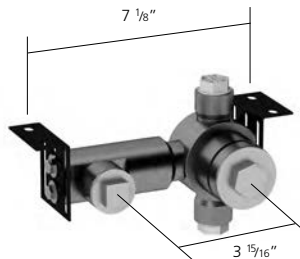



Fitting / Approvals	Flow rates	Finishes	V7KA20-1LF-RH	V7KA20-2LF-RH	V7KA20-3LF-RH	
   <p>Flow &lt;1.2 gpm</p> <p><b>C.E.C. Approved</b> <b>Mass. Code Approved</b></p> 						
			<b>CP</b>	\$2,560	\$2,580	\$2,622
			<b>PN</b>	\$2,808	\$2,830	\$2,892
			<b>URB</b>	\$2,954	\$2,976	\$3,016
			<b>SSB/SN/NL</b>	\$3,058	\$3,080	\$3,142
			<b>URM</b>	\$3,204	\$3,224	\$3,288
			<b>MBC</b>	\$3,328	\$3,350	\$3,412
			<b>CTB</b>	\$3,454	\$3,474	\$3,536

	V7KA20-1LF-NP	V7KA20-2LF-NP	V7KA20-3LF-NP
<b>CP</b>	\$2,330	\$2,352	\$2,392
<b>PN</b>	\$2,580	\$2,580	\$2,622
<b>URB</b>	\$2,684	\$2,704	\$2,746
<b>SSB/SN/NL</b>	\$2,788	\$2,788	\$2,850
<b>URM</b>	\$2,912	\$2,934	\$2,976
<b>MBC</b>	\$3,038	\$3,058	\$3,100
<b>CTB</b>	\$3,142	\$3,162	\$3,224

Also now available without trim plate. **V7KA20-1LF-NP, V7KA20-2LF-NP, V7KA20-3LF-NP**  
Can be mounted left or right handed using **V720-LH-AIS** or **V720-RH-AIS**

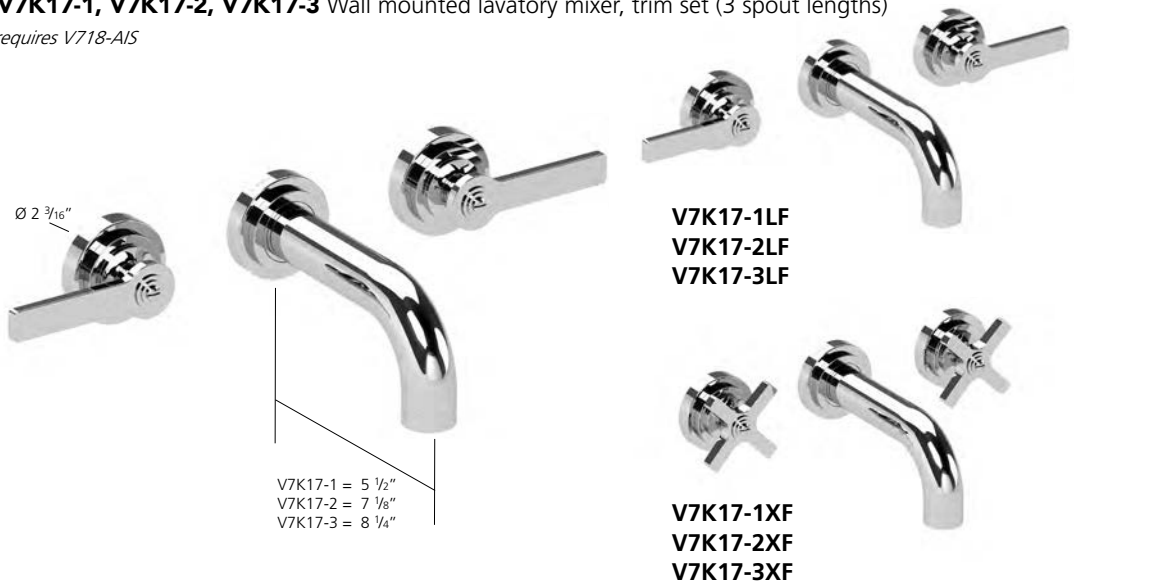
**V720-RH-AIS** Right handed rough - only for use with LMK



Fitting / Approvals	Finishes
<p><b>Feeds:</b> 1/2" NPT</p> <p><b>Fitting depth:</b> Min 2 7/8" - Max 3 5/16" from finished tiled surface to rear of fixing, Fitting brackets can be rotated 90 degrees</p>  <p><b>C.E.C. Approved</b> <b>Mass. Code Approved</b></p>	<p><b>XX</b>      \$772</p>

**V7K17-1, V7K17-2, V7K17-3** Wall mounted lavatory mixer, trim set (3 spout lengths)

requires V718-AIS

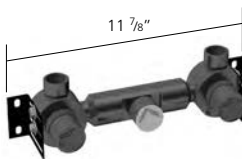


**Available finishes**



Fitting / Approvals	Flow rates	Finishes	V7K17-1	V7K17-2	V7K17-3
  C.E.C. Approved Mass. Code Approved	Flow <1.2 gpm	CP	\$2,496	\$2,580	\$2,642
		PN	\$2,746	\$2,830	\$2,912
		URB	\$2,872	\$2,954	\$3,038
		SSB/SN/NL	\$2,976	\$3,058	\$3,142
		URM	\$3,120	\$3,204	\$3,308
		MBC	\$3,246	\$3,350	\$3,432
		CTB	\$3,370	\$3,474	\$3,558

**V718-AIS** Rough - only for use with LMK



Fitting / Approvals	Flow rates	Finishes
Feeds: 3/4" female with adaptor for 1/2" female Min fitting depth: 3"	 Flow <1.2 gpm	XX \$506
 C.E.C. Approved Mass. Code Approved		

**V192-A** Lavatory drain

Can be used with or without an overflow



CP	\$148
PN	\$198
URB	\$228
SN/NL	\$248
URM	\$270
MBC	\$270
CTB	\$312

**V193-A** 1 1/4" Basin bottle trap



CP	\$420
PN	\$538
URB	\$568
SN/NL	\$568
URM	\$592
MBC	\$592
CTB	\$762

# LMK PURE Tub

**V7K36LF** Floor mounted single lever tub / shower mixer  
requires V736-AIS



### Available finishes



**CP**  
chrome plate



**PN**  
polished nickel



**URB**  
urban brass



**SSB**  
stainless steel with  
matt black chrome



**SN(us15)**  
satin nickel finish



**NL**  
non lacquered



**URM**  
urban brass  
matt lacquered



**MBC**  
matt black chrome



**CTB**  
city bronze

### Fitting / Approvals

Requires V736-AIS floor rough (below)

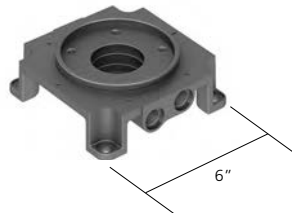


**Mass. Code Approved**

### Finishes

<b>CP</b>	\$9,320
<b>PN</b>	\$10,256
<b>URB</b>	\$10,796
<b>SSB/SN/NL</b>	\$11,232
<b>URM</b>	\$11,774
<b>MBC</b>	\$12,232
<b>CTB</b>	\$12,896

**V736-AIS** Floor rough for single lever tub / shower mixer



### Fitting / Approvals

**Feeds:** 1/2"

**Fitting depth:** Min 4" - Max 6 1/4"

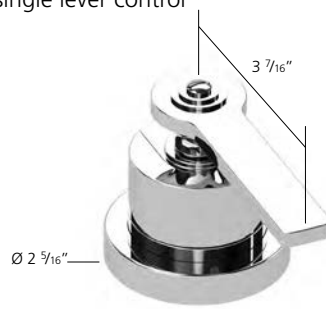


**Mass. Code Approved**

### Finishes

<b>XX</b>	\$2,226
-----------	---------

**V7KA37LF** Deck mounted, single lever control



Fitting / Approvals	Flow rates	Finishes
Feeds: 1/2" Max deck thickness: 2" Max drill hole: 2"		<b>CP</b> \$1,560 <b>PN</b> \$1,728 <b>URB</b> \$1,810 <b>SSB/SN/NL</b> \$1,872 <b>URM</b> \$1,956 <b>MBC</b> \$2,040 <b>CTB</b> \$2,102

**V7KA38-1LF, V7KA38-2LF** Deck mounted 2 hole tub filler (2 spout lengths)

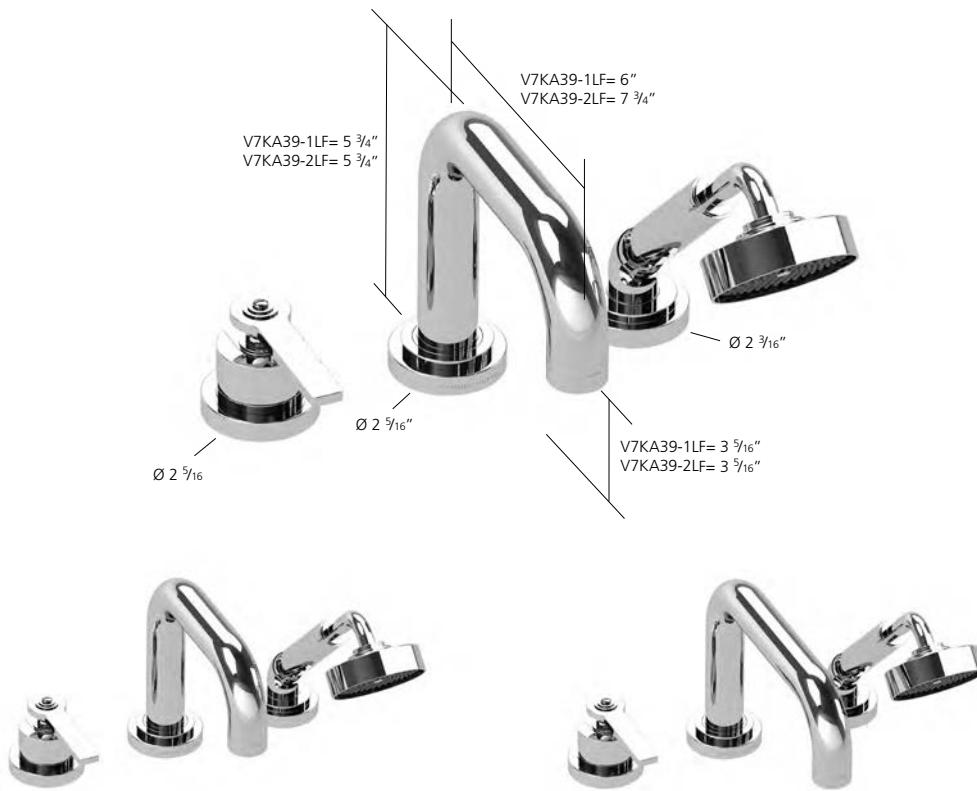


Available finishes



Fitting / Approvals	Flow rates	Finishes																								
Feeds: 1/2" Max deck thickness: 2" Max drill hole: 2" side valve Max drill hole: 2" spout		<table border="1"> <thead> <tr> <th></th> <th>V7KA38-1LF</th> <th>V7KA38-2LF</th> </tr> </thead> <tbody> <tr> <td><b>CP</b></td> <td>\$3,474</td> <td>\$3,578</td> </tr> <tr> <td><b>PN</b></td> <td>\$3,808</td> <td>\$3,952</td> </tr> <tr> <td><b>URB</b></td> <td>\$3,994</td> <td>\$4,120</td> </tr> <tr> <td><b>SSB/SN/NL</b></td> <td>\$4,140</td> <td>\$4,286</td> </tr> <tr> <td><b>URM</b></td> <td>\$4,328</td> <td>\$4,472</td> </tr> <tr> <td><b>MBC</b></td> <td>\$4,514</td> <td>\$4,640</td> </tr> <tr> <td><b>CTB</b></td> <td>\$4,680</td> <td>\$4,826</td> </tr> </tbody> </table>		V7KA38-1LF	V7KA38-2LF	<b>CP</b>	\$3,474	\$3,578	<b>PN</b>	\$3,808	\$3,952	<b>URB</b>	\$3,994	\$4,120	<b>SSB/SN/NL</b>	\$4,140	\$4,286	<b>URM</b>	\$4,328	\$4,472	<b>MBC</b>	\$4,514	\$4,640	<b>CTB</b>	\$4,680	\$4,826
	V7KA38-1LF	V7KA38-2LF																								
<b>CP</b>	\$3,474	\$3,578																								
<b>PN</b>	\$3,808	\$3,952																								
<b>URB</b>	\$3,994	\$4,120																								
<b>SSB/SN/NL</b>	\$4,140	\$4,286																								
<b>URM</b>	\$4,328	\$4,472																								
<b>MBC</b>	\$4,514	\$4,640																								
<b>CTB</b>	\$4,680	\$4,826																								

**V7KA39-1LF, V7KA39-2LF** Deck mounted 3 hole bath filler (2 spout lengths)



**V7KA39-1LF**

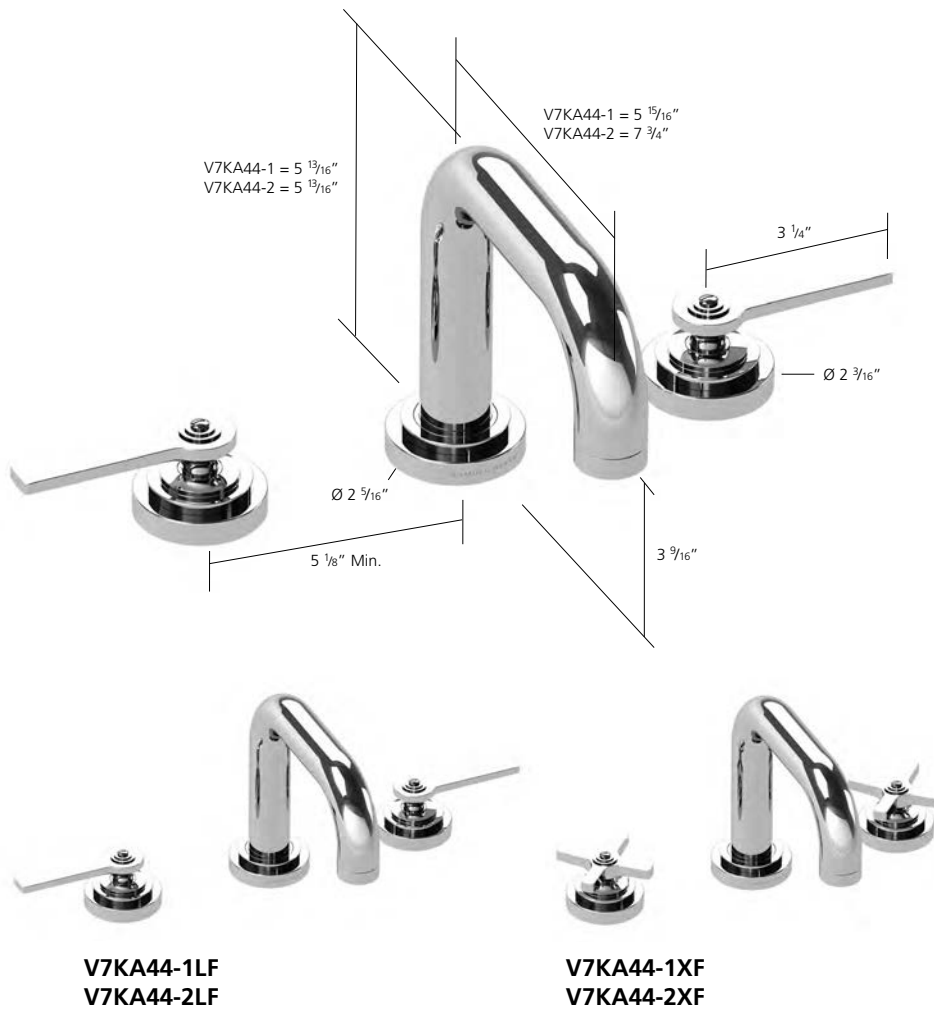
**V7KA39-2LF**

**Available finishes**



Fitting / Approvals	Flow rates	Finishes		
<p>Feeds: 1/2"</p> <p>Max deck thickness: 2"</p> <p>Max drill hole: 2" side valve</p> <p>Max drill hole: 2" spout</p> <p>Max drill hole: 1 13/16" handset</p>		<b>V7KA39-1LF</b>	<b>V7KA39-2LF</b>	
		<b>CP</b>	\$4,972	\$5,034
		<b>PN</b>	\$5,492	\$5,534
		<b>URB</b>	\$5,742	\$5,784
		<b>SSB/SN/NL</b>	\$5,970	\$6,012
		<b>URM</b>	\$6,240	\$6,282
		<b>MBC</b>	\$6,490	\$6,532
		<b>CTB</b>	\$6,720	\$6,782

**V7KA44-1, V7KA44-2 Deck mounted 3 hole tub filler (2 spout lengths)**



**Available finishes**



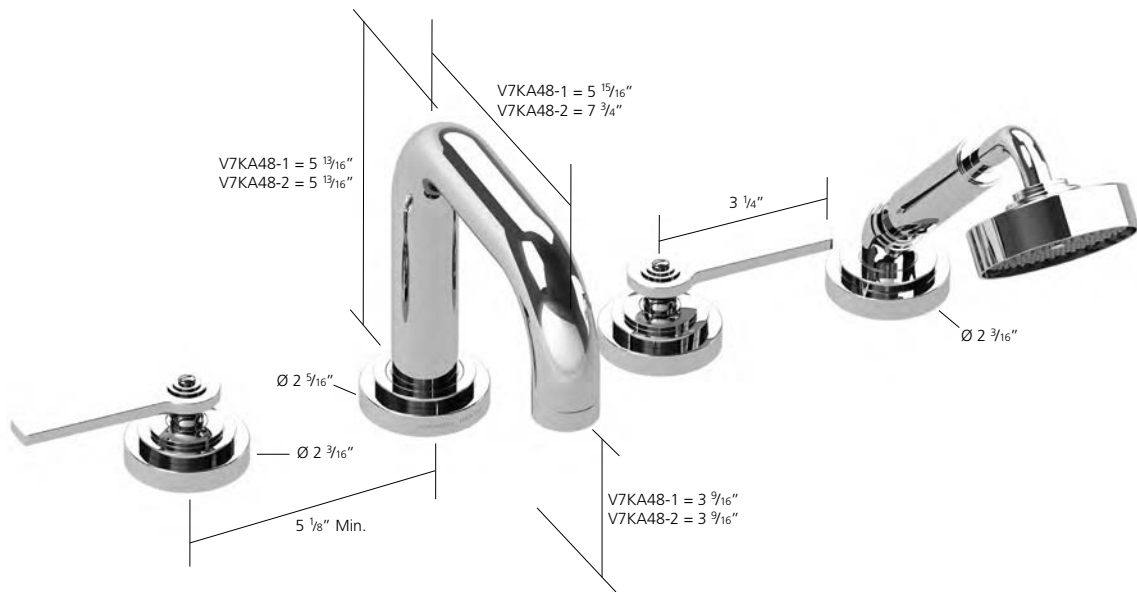
**Fitting / Approvals**

**Feeds:** 3/4" NPT  
**Max deck thickness:** 2"  
**Max drill hole:** 1 5/8" side valve  
**Max drill hole:** 1 13/16" spout

**Finishes**

	V7KA44-1	V7KA44-2
CP	\$3,516	\$3,536
PN	\$3,870	\$3,890
URB	\$4,056	\$4,056
SSB/SN/NL	\$4,202	\$4,202
URM	\$4,410	\$4,410
MBC	\$4,576	\$4,576
CTB	\$4,764	\$4,764

**V7KA48-1, V7KA48-2 Deck mounted 4 hole bath filler (2 spout lengths)**



**V7KA48-1LF  
V7KA48-2LF**



**V7KA48-1XF  
V7KA48-2XF**

**Available finishes**



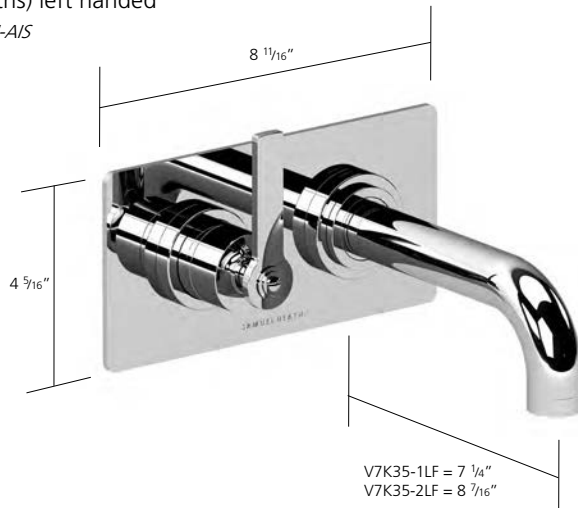
**Fitting / Approvals**

- Feeds:** 3/4" NPT
- Max deck thickness:** 2"
- Max drill hole:** 1 5/8" side valve
- Max drill hole:** 1 13/16" spout
- Max drill hole:** 1 13/16" handset

**Finishes**

	<b>V7KA48-1</b>	<b>V7KA48-2</b>
<b>CP</b>	\$5,326	\$5,492
<b>PN</b>	\$5,866	\$6,032
<b>URB</b>	\$6,136	\$6,304
<b>SSB/SN/NL</b>	\$6,366	\$6,552
<b>URM</b>	\$6,678	\$6,864
<b>MBC</b>	\$6,948	\$7,114
<b>CTB</b>	\$7,218	\$7,406

**V7K35-1LF-LH, V7K35-2LF-LH** Wall mounted 2 hole tub filler  
(2 spout lengths) left handed  
*requires V720-LH-AIS*



**Available finishes**



**Fitting / Approvals**



Mass. Code Approved



Also now available without trim plate. **V7K35-1LF-NP, V7K35-2LF-NP**  
Can be mounted left or right handed using **V720-LH-AIS** or **V720-RH-AIS**

**Finishes**

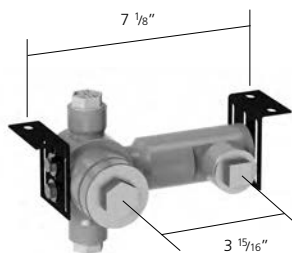
**V7K35-1LF-LH V7K35-2LF-LH**

<b>CP</b>	\$2,726	\$2,768
<b>PN</b>	\$2,996	\$3,038
<b>URB</b>	\$3,120	\$3,162
<b>SSB/SN/NL</b>	\$3,246	\$3,308
<b>URM</b>	\$3,392	\$3,454
<b>MBC</b>	\$3,536	\$3,600
<b>CTB</b>	\$3,682	\$3,724

**V7K35-1LF-NP V7K35-2LF-NP**

<b>CP</b>	\$2,476	\$2,496
<b>PN</b>	\$2,726	\$2,768
<b>URB</b>	\$2,850	\$2,892
<b>SSB/SN/NL</b>	\$2,954	\$2,996
<b>URM</b>	\$3,100	\$3,142
<b>MBC</b>	\$3,204	\$3,266
<b>CTB</b>	\$3,350	\$3,392

**V720-LH-AIS** Left handed rough - only for use with LMK



**Fitting / Approvals**

**Feeds:** 1/2" NPT  
**Fitting depth:** Min 2 7/8" - Max 3 5/16"  
from finished tiled surface to rear of fixing,  
Fitting brackets can be rotated 90 degrees



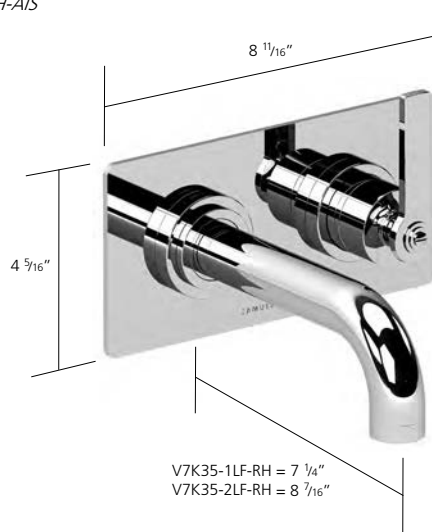
C.E.C. Approved  
Mass. Code Approved

**Finishes**

**XX** \$772

# LMK PURE Tub

**V7K35-1LF-RH, V7K35-2LF-RH** Wall mounted 2 hole tub filler  
 (2 spout lengths) right handed  
 requires V720-RH-AIS



**Available finishes**



**Finishes**

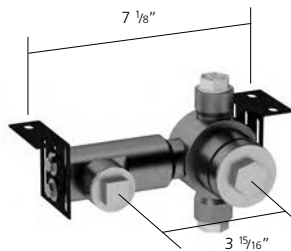


Also now available without trim plate. **V7K35-1LF-NP, V7K35-2LF-NP**  
 Can be mounted left or right handed using **V720-LH-AIS** or **V720-RH-AIS**

	V7K35-1LF-RH	V7K35-2LF-RH
<b>CP</b>	\$2,726	\$2,768
<b>PN</b>	\$2,996	\$3,038
<b>URB</b>	\$3,120	\$3,162
<b>SSB/SN/NL</b>	\$3,246	\$3,308
<b>URM</b>	\$3,392	\$3,454
<b>MBC</b>	\$3,536	\$3,600
<b>CTB</b>	\$3,682	\$3,724

	V7K35-1LF-NP	V7K35-2LF-NP
<b>CP</b>	\$2,476	\$2,496
<b>PN</b>	\$2,726	\$2,768
<b>URB</b>	\$2,850	\$2,892
<b>SSB/SN/NL</b>	\$2,954	\$2,996
<b>URM</b>	\$3,100	\$3,142
<b>MBC</b>	\$3,204	\$3,266
<b>CTB</b>	\$3,350	\$3,392

**V720-RH-AIS** Right handed rough - only for use with LMK



**Fitting / Approvals** **Finishes**

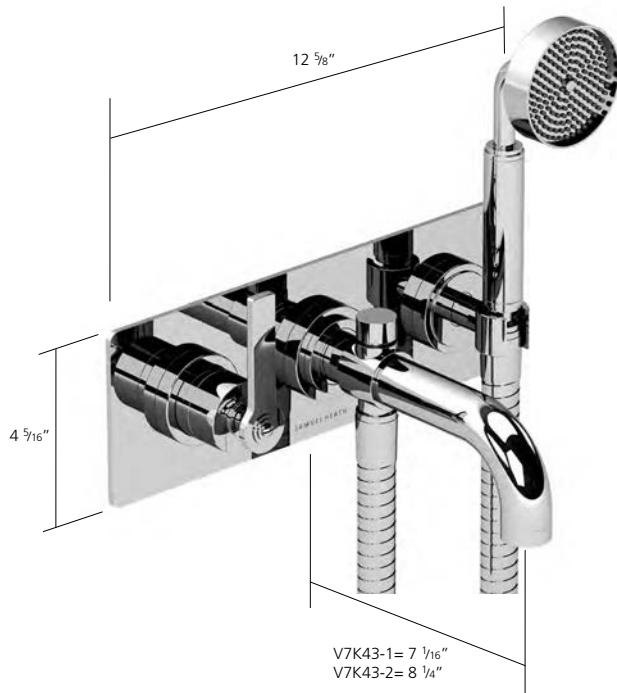
**Feeds:** 1/2" NPT  
**Fitting depth:** Min 2 7/8" - Max 3 5/16"  
 from finished tiled surface to rear of fixing,  
 Fitting brackets can be rotated 90 degrees

**XX** \$772



**C.E.C. Approved**  
**Mass. Code Approved**

**V7K43-1LF, V7K43-2LF** Wall mounted 3 hole tub filler with diverter (2 spout lengths)  
requires V720-LH-AIS



V7K43-1LF



V7K43-2LF

**Available finishes**



CP  
chrome plate



PN  
polished nickel



URB  
urban brass



SSB  
stainless steel with  
matt black chrome



SN(us15)  
satin nickel finish



NL  
non lacquered



URM  
urban brass  
matt lacquered



MBC  
matt black chrome



CTB  
city bronze

**Finishes**

NSF Approval pending

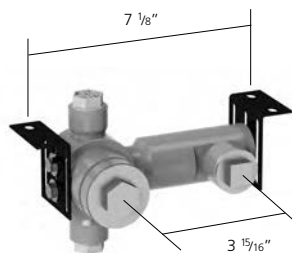


Also now available without trim plate. **V7K43-1LF-NP, V7K43-2LF-NP**

	V7K43-1LF	V7K43-2LF
CP	\$5,242	\$5,284
PN	\$5,762	\$5,824
URB	\$6,032	\$6,074
SSB/SN/NL	\$6,282	\$6,324
URM	\$6,552	\$6,616
MBC	\$6,824	\$6,864
CTB	\$7,072	\$7,136

	V7K43-1LF-NP	V7K43-2LF-NP
CP	\$4,826	\$4,868
PN	\$5,304	\$5,346
URB	\$5,534	\$5,596
SSB/SN/NL	\$5,784	\$5,824
URM	\$6,012	\$6,074
MBC	\$6,262	\$6,324
CTB	\$6,512	\$6,552

**V720-LH-AIS** Left handed rough - only for use with LMK



**Fitting / Approvals**

**Feeds:** 1/2" NPT

**Fitting depth:** Min 2 7/8" - Max 3 5/16"  
from finished tiled surface to rear of fixing,  
Fitting brackets can be rotated 90 degrees



**C.E.C. Approved**  
**Mass. Code Approved**

**Finishes**

XX \$772

# LMK PURE Tub

**V7K47-1, V7K47-2** Wall mounted tub filler, trim set  
requires V718-AIS

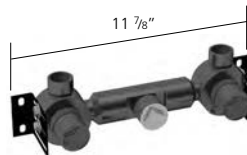


**Available finishes**



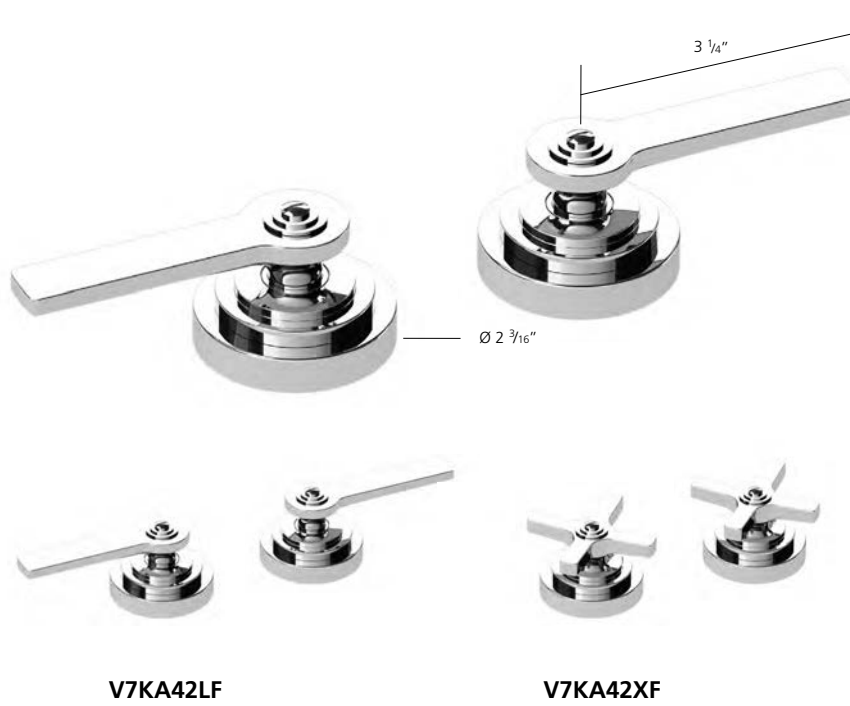
Fitting / Approvals	Finishes	
	V7K47-1LF	V7K47-2LF
 <b>Mass. Code Approved</b>	<b>CP</b>	\$2,496
	<b>PN</b>	\$2,746
	<b>URB</b>	\$3,204
	<b>SSB/SN/NL</b>	\$2,974
	<b>URM</b>	\$3,204
	<b>MBC</b>	\$3,328
	<b>CTB</b>	\$3,370
		\$2,746
		\$3,038

**V718-AIS** Rough - only for use with LMK



Fitting / Approvals	Flow rates	Finishes	
<b>Feeds:</b> 3/4" female with adaptor for 1/2" female <b>Min fitting depth:</b> 3"		<b>XX</b>	\$506
 <b>C.E.C. Approved</b> <b>Mass. Code Approved</b>			

**V7KA42** Deck mounted side valves (pair)



**Available finishes**



**Fitting / Approvals**

**Feeds:** 3/4" NPT  
**Max deck thickness:** 2"  
**Max drill hole:** 1 5/8"


**Finishes**

<b>CP</b>	\$2,206
<b>PN</b>	\$2,434
<b>URB</b>	\$2,538
<b>SSB/SN/NL</b>	\$2,622
<b>URM</b>	\$2,746
<b>MBC</b>	\$2,872
<b>CTB</b>	\$2,976

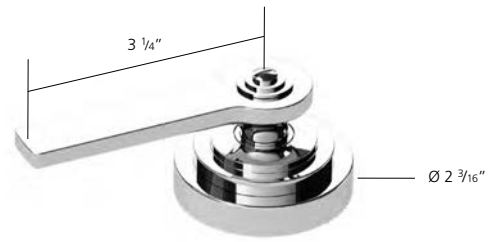
# LMK PURE Tub

**V746-1F** Wall mounted spout, trim set  
*requires V758-AIS*



Fitting / Approvals		Finishes	
 Mass. Code Approved	<b>CP</b>		\$1,186
	<b>PN</b>		\$1,312
	<b>URB</b>		\$1,374
	<b>SSB/SN/NL</b>		\$1,436
	<b>URM</b>		\$1,498
	<b>MBC</b>		\$1,560
	<b>CTB</b>		\$1,602


**V7KA41LF** Deck mounted diverter



Fitting / Approvals		Finishes	
<b>Max deck thickness: 2 3/16"</b>		<b>CP</b>	\$1,310
		<b>PN</b>	\$1,414
		<b>URB</b>	\$1,518
		<b>SSB/SN/NL</b>	\$1,498
		<b>URM</b>	\$1,622
		<b>MBC</b>	\$1,686
		<b>CTB</b>	\$1,748

**V746-2F** Wall mounted spout, trim set  
*requires V758-AIS*



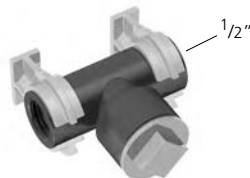
Fitting / Approvals		Finishes	
 Mass. Code Approved	<b>CP</b>		\$1,248
	<b>PN</b>		\$1,374
	<b>URB</b>		\$1,436
	<b>SSB/SN/NL</b>		\$1,498
	<b>URM</b>		\$1,560
	<b>MBC</b>		\$1,624
	<b>CTB</b>		\$1,686

**V780-F** Bath boss for hand shower



Fitting / Approvals		Finishes	
		<b>CP</b>	\$408
		<b>PN</b>	\$442
		<b>URB</b>	\$462
		<b>SSB/SN/NL</b>	\$484
		<b>URM</b>	\$506
		<b>MBC</b>	\$528
		<b>CTB</b>	\$548

**V758-AIS** Spout rough for V746-1F & V746-2F



Fitting / Approvals		Finishes	
<b>Feeds: 1/2"</b>		<b>XX</b>	\$258

**V783** Angle bracket



Fitting / Approvals		Finishes	
<b>Feed: 1/2"</b>		<b>CP</b>	\$246
		<b>PN</b>	\$270
		<b>URB</b>	\$280
		<b>SN/NL</b>	\$280
		<b>URM</b>	\$302
		<b>MBC</b>	\$312
		<b>CTB</b>	\$334

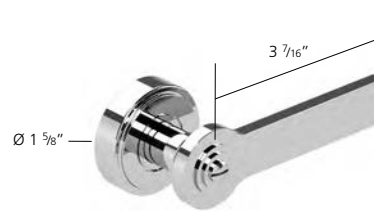
# LMK PURE Tub ancillaries

## V165, V941, V942 Hoses



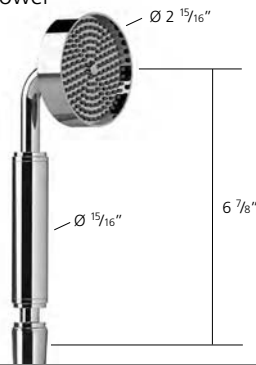
Fitting / Approvals	Finishes			
Thread: 1/2"		<b>V165</b>	<b>V941</b>	<b>V942</b>
	<b>CP</b>	\$134	\$134	\$152
	<b>PN</b>	\$152	\$152	\$170
	<b>URB</b>	\$224	\$224	\$238
	<b>SN/NL</b>	\$224	\$224	\$238
	<b>URM</b>	\$280	\$280	\$292
	<b>MBC</b>	\$280	\$280	\$292
	<b>CTB</b>	\$484	\$484	\$494

## V777-LF Toilet trip lever



	Finishes	
<i>Check compatibility with toilet manufacturer</i>	<b>CP</b>	\$568
	<b>PN</b>	\$634
	<b>URB</b>	\$656
	<b>SN/NL</b>	\$688
	<b>URM</b>	\$720
	<b>MBC</b>	\$742
	<b>CTB</b>	\$772

## V754-AF Easy clean hand shower



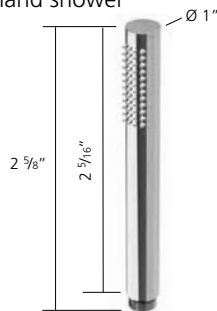
Fitting / Approvals	Flow rates	Finishes	
Thread: 1/2"	 Flow < 1.8 gpm	<b>CP</b>	\$752
 C.E.C. Approved Mass. Code Approved		<b>PN</b>	\$826
	<b>URB</b>	\$870	
	<b>SSB/SN/NL</b>	\$902	
	<b>URM</b>	\$946	
	<b>MBC</b>	\$976	
		<b>CTB</b>	\$1,020

## VA60-US 1 1/4" Lavatory waste with metal plug, chain and stay



		Finishes	
		<b>CP</b>	\$280
		<b>PN</b>	\$312
		<b>SN/NL</b>	\$324

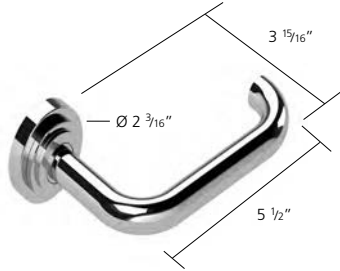
## V182-A Easy clean hand shower



Fitting / Approvals	Flow rates	Finishes	
Thread: 1/2"	 Flow < 1.8 gpm	<b>CP</b>	\$312
 C.E.C. Approved Mass. Code Approved		<b>PN</b>	\$344
	<b>URB</b>	\$354	
	<b>SN/NL</b>	\$354	
	<b>URM</b>	\$388	
	<b>MBC</b>	\$398	
	<b>CTB</b>	\$420	

# LMK PURE Accessories

**N7637F-RH** Paper holder



<b>CP</b>	\$484
<b>PN</b>	\$538
<b>URB</b>	\$558
<b>SSB/SN/NL</b>	\$592
<b>URM</b>	\$612
<b>MBC</b>	\$634
<b>CTB</b>	\$666

**N7634F** Soap holder



<b>CP</b>	\$494
<b>PN</b>	\$538
<b>URB</b>	\$568
<b>SSB/SN/NL</b>	\$592
<b>URM</b>	\$612
<b>MBC</b>	\$634
<b>CTB</b>	\$666

**N7637F-LH** Paper holder



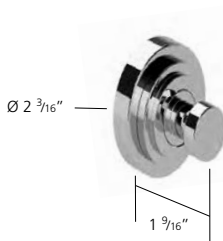
<b>CP</b>	\$484
<b>PN</b>	\$538
<b>URB</b>	\$558
<b>SSB/SN/NL</b>	\$592
<b>URM</b>	\$612
<b>MBC</b>	\$634
<b>CTB</b>	\$666

**N7635F** Tumbler holder



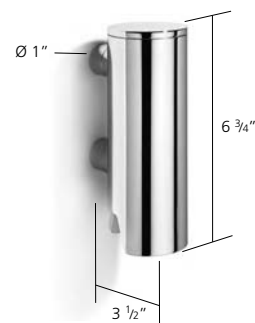
<b>CP</b>	\$494
<b>PN</b>	\$538
<b>URB</b>	\$568
<b>SSB/SN/NL</b>	\$592
<b>URM</b>	\$612
<b>MBC</b>	\$634
<b>CTB</b>	\$666

**N7632F** Robe hook



<b>CP</b>	\$238
<b>PN</b>	\$268
<b>URB</b>	\$278
<b>SSB/SN/NL</b>	\$292
<b>URM</b>	\$302
<b>MBC</b>	\$312
<b>CTB</b>	\$324

**N5305** Liquid soap dispenser



**Capacity:** Max 8 fl oz (US)

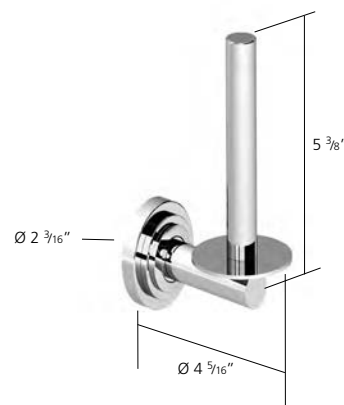
<b>CP</b>	\$806
<b>PN</b>	\$880
<b>URB</b>	\$922
<b>SN/NL</b>	\$922
<b>URM</b>	\$998
<b>MBC</b>	\$1,040
<b>CTB</b>	\$1,104

**N7648F** Single robe hook



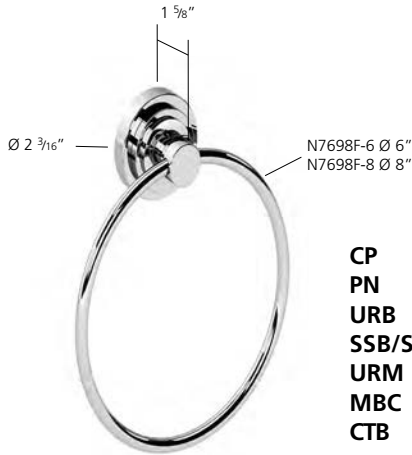
<b>CP</b>	\$332
<b>PN</b>	\$368
<b>URB</b>	\$378
<b>SSB/SN/NL</b>	\$398
<b>URM</b>	\$408
<b>MBC</b>	\$430
<b>CTB</b>	\$442

**N7691F** Spare paper holder



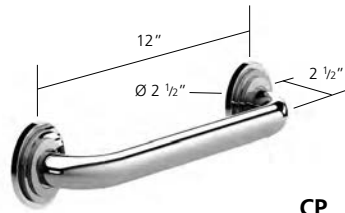
<b>CP</b>	\$506
<b>PN</b>	\$558
<b>URB</b>	\$582
<b>SSB/SN/NL</b>	\$612
<b>URM</b>	\$634
<b>MBC</b>	\$666
<b>CTB</b>	\$688

**N7698F-6, N7698F-8** Towel ring



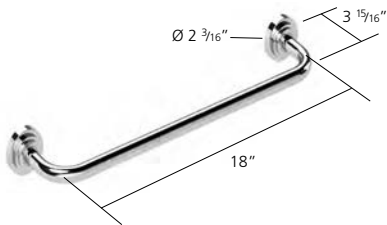
	N7698F-6	N7698F-8
<b>CP</b>	\$334	\$354
<b>PN</b>	\$368	\$398
<b>URB</b>	\$388	\$408
<b>SSB/SN/NL</b>	\$398	\$430
<b>URM</b>	\$420	\$452
<b>MBC</b>	\$430	\$462
<b>CTB</b>	\$452	\$484

**N7739F** Grab rail



<b>CP</b>	\$1,104
<b>PN</b>	\$1,208
<b>URB</b>	\$1,248
<b>SSB/SN/NL</b>	\$1,312
<b>URM</b>	\$1,374
<b>MBC</b>	\$1,416
<b>CTB</b>	\$1,478

**N7655F** Short towel rail



<b>CP</b>	\$848
<b>PN</b>	\$934
<b>URB</b>	\$976
<b>SSB/SN/NL</b>	\$1,020
<b>URM</b>	\$1,062
<b>MBC</b>	\$1,124
<b>CTB</b>	\$1,166

**L5042** Wall mounted toilet brush  
**L5044** Freestanding toilet brush



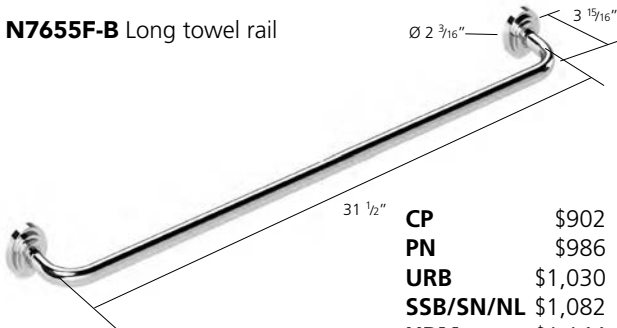
	L5042	L5044
<b>CP</b>	\$602	\$548
<b>PN</b>	\$666	\$602
<b>URB</b>	\$698	\$634
<b>SN/NL</b>	\$698	\$634
<b>URM</b>	\$752	\$688
<b>MBC</b>	\$784	\$708
<b>CTB</b>	\$816	\$742

**N7655F-A** Medium towel rail



<b>CP</b>	\$848
<b>PN</b>	\$934
<b>URB</b>	\$976
<b>SSB/SN/NL</b>	\$1,020
<b>URM</b>	\$1,062
<b>MBC</b>	\$1,124
<b>CTB</b>	\$1,166

**N7655F-B** Long towel rail



<b>CP</b>	\$902
<b>PN</b>	\$986
<b>URB</b>	\$1,030
<b>SSB/SN/NL</b>	\$1,082
<b>URM</b>	\$1,144
<b>MBC</b>	\$1,186
<b>CTB</b>	\$1,228

Available finishes



**CP**  
chrome plate



**PN**  
polished nickel



**URB**  
urban brass



**SSB**  
stainless steel with  
matt black chrome



**SN(us15)**  
satin nickel finish



**NL**  
non lacquered



**URM**  
urban brass  
matt lacquered



**MBC**  
matt black chrome



**CTB**  
city bronze





# STYLE MODERNE

Style Moderne is a highly distinctive collection of taps, showers and complementary bathroom accessories inspired by the grace and glamour of the Art Deco period of the 1920s and 1930s. Available in 10 stunning finishes with lever, cross top, Quilted, Radiant and Luxe control options.

# STYLE MODERNE

## Shower



V600



V607



V601  
V611



V602  
V603



V6KA6



V6KA5



V6KA7



V6B1A



V6B2A

Lavatory and bidet



V6KA14

V6KA16

V6KA13

V6K17

Tub



V6KA30 is also available as a wall mounted option V6KA32

V6K47

V6KA48

V677

The Style Moderne Collection is available to Approved, displaying dealers only.  
Includes water saving and low-lead faucets.  
For accessories see pages 196-201

## STYLE MODERNE Control options



Metal cross top - **X**



Metal lever - **M**



Gloss black chrome cross top - **XB**



Gloss black chrome lever - **MB**

STYLE MODERNE Control options

QUILTED



Clear glass lever - **CCQ**

QUILTED



Black glass lever- **BCQ**

RADIANT



Clear glass lever - **CCR**

RADIANT



Black glass lever- **BCR**

LUXE



Glass roundel - **D**

LUXE



Glass lever- **L**

# STYLE MODERNE Shower

## V6KA6 Exposed 1/2" thermostatic shower set

Example shown here is V6KA6XM9 with metal cross top, metal levers and V663 easy clean shower head



Feeds: 1/2"  
Centers: 8"

V640 valve and V641 volume controls NSF approval pending

# STYLE MODERNE Shower



V6KA6XM9



V6KA6XMB9



V6KA6XX9



V6KA6XXB9



V6KA6MM9



V6KA6MMB9

<b>CP</b>	\$10,234
<b>PN</b>	\$11,274
<b>SN(US15)/NL/BG</b>	\$11,856
<b>BGG/BGM</b>	\$13,000
<b>CTB/CNB</b>	\$14,144
<b>AG</b>	\$14,602

## Available finishes



**CP**  
chrome plate



**PN**  
polished nickel



**SN(US15)**  
satin nickel  
finish



**NL**  
non lacquered



**BG**  
brushed gold



**BGG**  
brushed gold gloss  
lacquered



**BGM**  
brushed gold matt  
lacquered



**CTB**  
city bronze



**CNB**  
country bronze



**AG**  
antique gold

# STYLE MODERNE Shower

V6KA6 Exposed 1/2" thermostatic shower set

## QUILTED



V6KA6CCQ9



V6KA6BCQ9

## RADIANT



V6KA6CCR9



V6KA6BCR9

CP	\$11,232
PN	\$12,376
SN(us15)/NL/BG	\$13,000
BGG/BGM	\$14,248
CTB/CNB	\$15,476
AG	\$16,016

LUXE



V6KA6DL9

<b>CP</b>	\$11,232
<b>PN</b>	\$12,376
<b>SN(us15)/NL/BG</b>	\$13,000
<b>BGG/BGM</b>	\$14,248
<b>CTB/CNB</b>	\$15,476
<b>AG</b>	\$16,016

Available finishes



# STYLE MODERNE Shower

**V6KA5** Exposed 1/2" thermostatic shower set

*Example shown here is V6KA5XM9 with metal cross top, metal lever and V663-CG shower head*



**Feeds:** 1/2"

**Centers:** 8"

*Height extensions are available,  
please contact our sales office*

**CALGreen:** Compliant when used with our  
C.E.C. shower heads or hand showers.



V640 valve: NSF approval pending

# STYLE MODERNE Shower



V6KA5XM9



V6KA5XMB9



V6KA5XX9



V6KA5XXB9



V6KA5MM9



V6KA5MMB9

<b>CP</b>	\$9,152
<b>PN</b>	\$10,088
<b>SN(US15)/NL/BG</b>	\$10,608
<b>BGG/BGM</b>	\$11,648
<b>CTB/CNB</b>	\$12,668
<b>AG</b>	\$13,084

## Available finishes



**CP**  
chrome plate



**PN**  
polished nickel



**SN (US15)**  
satin nickel  
finish



**NL**  
non lacquered  
finish



**BG**  
brushed gold



**BGG**  
brushed gold gloss  
lacquered



**BGM**  
brushed gold matt  
lacquered



**CTB**  
city bronze



**CNB**  
country bronze



**AG**  
antique gold

## QUILTED



V6KA5CCQ9



V6KA5BCQ9

## RADIANT



V6KA5CCR9



V6KA5BCR9

CP	\$9,860
PN	\$10,858
SN(us15)/NL/BG	\$11,420
BGG/BGM	\$12,544
CTB/CNB	\$13,624
AG	\$14,082

LUXE



V6KA5DL9

<b>CP</b>	\$9,860
<b>PN</b>	\$10,858
<b>SN(US15)/NL/BG</b>	\$11,420
<b>BGG/BGM</b>	\$12,544
<b>CTB/CNB</b>	\$13,624
<b>AG</b>	\$14,082

Available finishes



# STYLE MODERNE Shower

**V6KA7** Exposed 1/2" thermostatic shower set

*Example shown here is V6KA7XM9 with cross top, metal lever and V663 easy clean shower head*



**Feeds:** 1/2"

**Centers:** 8"

*Height extensions are available,  
please contact our sales office*

**CALGreen:** Flow < 2.0 gpm



V640 valve and V641 volume control: NSF approval pending

# STYLE MODERNE Shower



V6KA7XM9



V6KA7XMB9



V6KA7XX9



V6KA7XXB9



V6KA7MM9



V6KA7MMB9

<b>CP</b>	\$7,364
<b>PN</b>	\$8,112
<b>SN(us15)/NL/BG</b>	\$8,488
<b>BGG/BGM</b>	\$9,298
<b>CTB/CNB</b>	\$9,944
<b>AG</b>	\$10,422

## Available finishes



**CP**  
chrome plate



**PN**  
polished nickel



**SN (us15)**  
satin nickel  
finish



**NL**  
non lacquered



**BG**  
brushed gold



**BGG**  
brushed gold gloss  
lacquered



**BGM**  
brushed gold matt  
lacquered



**CTB**  
city bronze



**CNB**  
country bronze



**AG**  
antique gold

# STYLE MODERNE Shower

V6KA7 Exposed 1/2" thermostatic shower set

## QUILTED



V6KA7CCQ9



V6KA7BCQ9

## RADIANT



V6KA7CCR9



V6KA7BCR9

CP	\$8,050
PN	\$8,840
SN(us15)/NL/BG	\$9,256
BGG/BGM	\$10,152
CTB/CNB	\$10,858
AG	\$11,378

LUXE



V6KA7DL9

<b>CP</b>	\$8,050
<b>PN</b>	\$8,840
<b>SN(us15)/NL/BG</b>	\$9,256
<b>BGG/BGM</b>	\$10,152
<b>CTB/CNB</b>	\$10,858
<b>AG</b>	\$11,378

Available finishes



**CP**  
chrome plate



**PN**  
polished nickel



**SN (us15)**  
satin nickel  
finish



**NL**  
non lacquered



**BG**  
brushed gold



**BGG**  
brushed gold gloss  
lacquered



**BGM**  
brushed gold matt  
lacquered



**CTB**  
city bronze



**CNB**  
country bronze

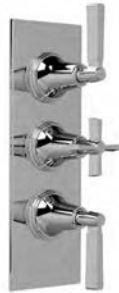
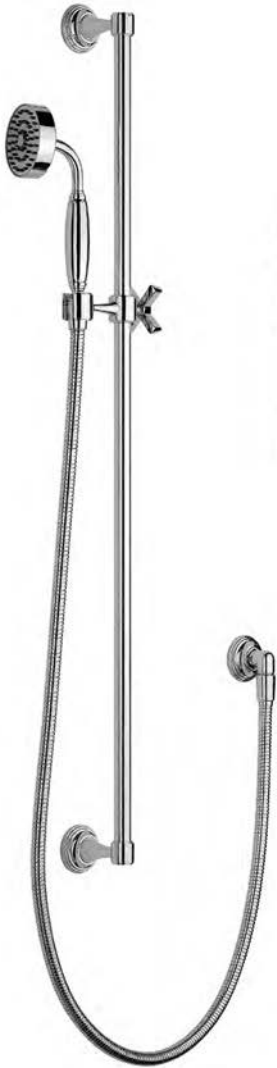


**AG**  
antique gold

# STYLE MODERNE Shower

**V6B1A** Concealed thermostatic shower, 2 volume controls

*Example shown here is V6B1AXM9  
with cross top, metal levers and  
V663 easy clean shower head*



V6B1AXM9



V6B1AXMB9



V6B1AXX9



V6B1AXXB9

**Projection:** Max 4 1/8"

*Extension kits are available*

*Height extensions are available, please contact our sales office*

<b>CP</b>	\$7,198
<b>PN</b>	\$7,884
<b>SN(us15)/NL/BG</b>	\$8,384
<b>BGG/BGM</b>	\$9,256
<b>CTB/CNB</b>	\$10,088
<b>AG</b>	\$10,296

## Available finishes



**CP**  
chrome plate



**PN**  
polished nickel



**SN (us15)**  
satin nickel  
finish



**NL**  
non lacquered



**BG**  
brushed gold



**BGG**  
brushed gold gloss  
lacquered



**BGM**  
brushed gold matt  
lacquered



**CTB**  
city bronze



**CNB**  
country bronze



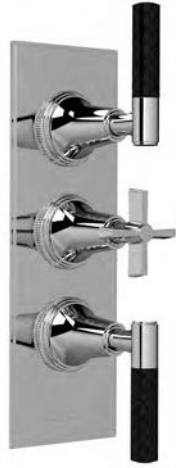
**AG**  
antique gold

## QUILTED

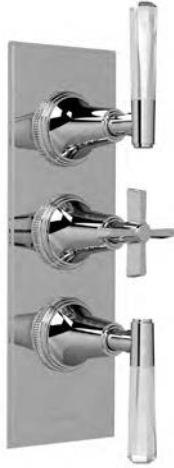


V6B1ACCQ9

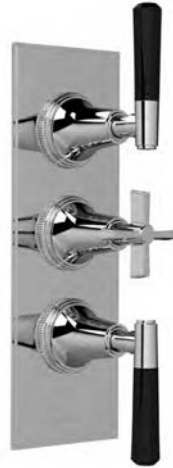
## RADIANT



V6B1ABCQ9



V6B1ACCR9



V6B1ABCR9

## LUXE



V6B1ADL9

CP	\$8,466
PN	\$9,256
SN(us15)/NL/BG	\$9,860
BGG/BGM	\$10,838
CTB/CNB	\$11,816
AG	\$12,106

### V135-AIS Concealed thermostatic valve - rough

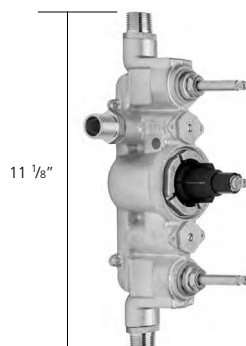
Requires V6B1A. This valve has 2 controlled outlets

Feeds: 1/2" NPT

Fitting depth: Min 2 13/16" - Max 3 1/4" with V602-T

Extension kits are available, please see page 307 for pricing.

Mass. Code Approved



2 VOLUME CONTROLS

XX

\$1,498

# STYLE MODERNE Shower

**V6B2A** Concealed thermostatic shower, 2 volume controls

*Example shown here is V6B2AXM9 with cross top, metal levers and V663-A easy clean shower head*



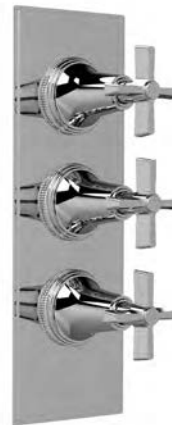
**Projection:** Max 4 1/8"  
Extension kits are available



V6B2AXM9



V6B2AXMB9



V6B2AXX9



V6B2AXXB9

<b>CP</b>	\$5,888
<b>PN</b>	\$6,490
<b>SN(us15)/NL/BG</b>	\$6,844
<b>BGG/BGM</b>	\$7,552
<b>CTB/CNB</b>	\$8,258
<b>AG</b>	\$8,446

## Available finishes



**CP**  
chrome plate



**PN**  
polished nickel



**SN (us15)**  
satin nickel finish



**NL**  
non lacquered



**BG**  
brushed gold



**BGG**  
brushed gold gloss lacquered



**BGM**  
brushed gold matt lacquered



**CTB**  
city bronze

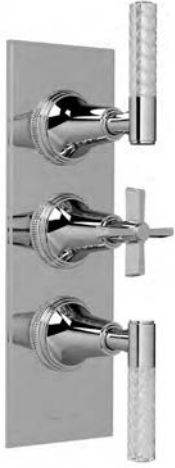


**CNB**  
country bronze



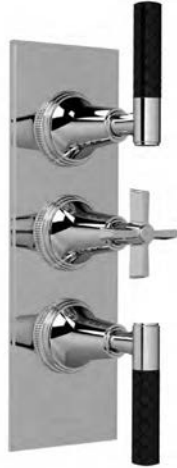
**AG**  
antique gold

## QUILTED

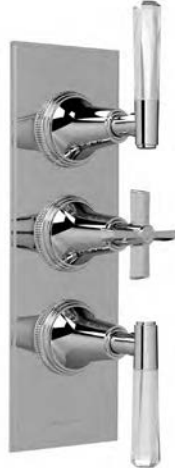


V6B2ACCQ9

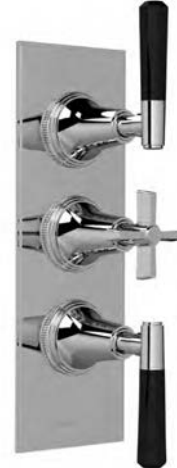
## RADIANT



V6B2ABCQ9



V6B2ACCR9



V6B2ABCR9

## LUXE



V6B2ADL9

CP	\$6,948
PN	\$7,656
SN(US15)/NL/BG	\$8,072
BGG/BGM	\$8,904
CTB/CNB	\$9,694
AG	\$9,964

### V135-AIS Concealed thermostatic valve - rough

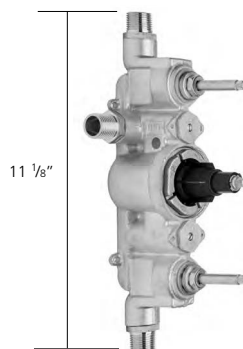
Requires V6B2A. This valve has 2 controlled outlets

**Feeds:** 1/2" NPT

**Fitting depth:** Min 2 13/16" - Max 3 1/4" with V602-T

Extension kits are available, please see page 307 for pricing.

Mass. Code Approved



2 VOLUME CONTROLS

XX

\$1,498

# STYLE MODERNE Shower

## V600-T2 Trim set for V133-AIS thermostatic valve

Requires V133-AIS



<b>CP</b>	\$1,352
<b>PN</b>	\$1,498
<b>SN(us15)/NL/BG</b>	\$1,560
<b>BGG/BGM</b>	\$1,686
<b>CTB/CNB</b>	\$1,832
<b>AG</b>	\$1,914

### V600-T2M

**Projection:** Max 4 1/4"

**Options:** V607 Volume control

**Mass. Code Approved**



### QUILTED



V600-T2CCQ

V600-T2BCQ

### RADIANT



V600-T2CCR

V600-T2BCR

### LUXE



V600-T2L

V600-T2D

<b>CP</b>	\$1,540
<b>PN</b>	\$1,686
<b>SN(us15)/NL/BG</b>	\$1,768
<b>BGG/BGM</b>	\$1,914
<b>CTB/CNB</b>	\$2,060
<b>AG</b>	\$2,164

### Available finishes



## V133-AIS 3/4" Concealed thermostatic valve - rough

Requires V600-T2. This valve has 2 open outlets. Use V607 for each

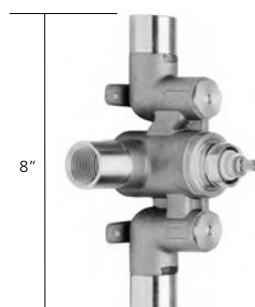
**Feeds:** 3/4" NPT

**Fitting depth:** Min 2 15/16" - Max 3 1/4" with V600-T2

Extension kits are available, please see page 307 for pricing.

Further outlets can be configured.

**Mass. Code Approved**



**XX**

\$922

# STYLE MODERNE Shower

## V607-T Trim set for V607-AIS volume control

Requires V607-AIS



CP	\$644
PN	\$708
SN(us15)/NL/BG	\$742
BGG/BGM	\$806
CTB/CNB	\$880
AG	\$912

Projection: Max 4 1/8"

Mass. Code Approved



## QUILTED

## RADIANT

## LUXE



CP	\$956
PN	\$1,062
SN(us15)/NL/BG	\$1,104
BGG/BGM	\$1,208
CTB/CNB	\$1,290
AG	\$1,352

### Available finishes



## V607-AIS 3/4" Concealed volume control - rough

Requires V607-T

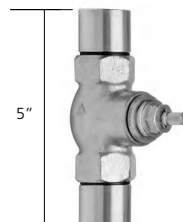
Feeds: 3/4" NPT

Fitting depth: Min 1 1/2" - Max 2" with V607-T

Extension kits are available, please see page 307 for pricing.

CALGreen: Compliant when used with our C.E.C. shower heads or hand showers.

Mass. Code Approved

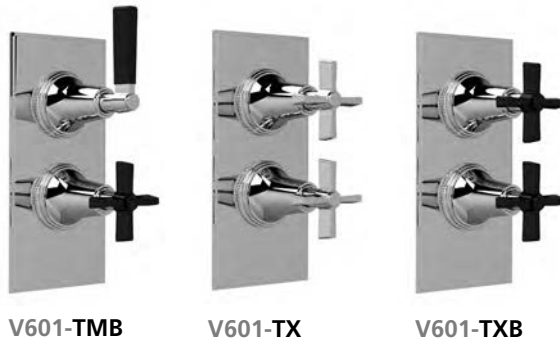
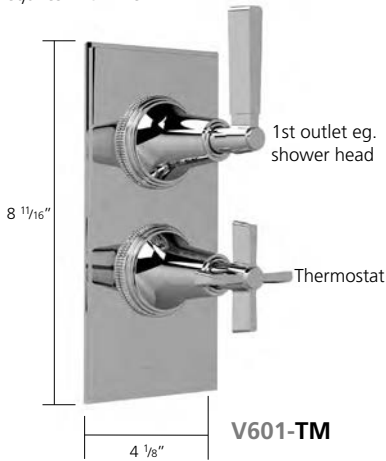


XX	\$220
----	-------

# STYLE MODERNE Shower

## V601-T Trim set for V134-AIS thermostatic valve

Requires V134-AIS



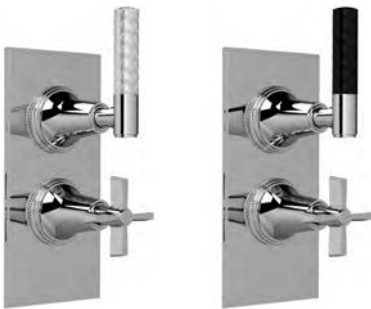
CP	\$1,956
PN	\$2,144
SN(us15)/NL/BG	\$2,248
BGG/BGM	\$2,456
CTB/CNB	\$2,642
AG	\$2,768

Projection: Max 3 3/4"

Mass. Code Approved



## QUILTED



V601-TCCQ

V601-TBCQ

## RADIANT



V601-TCCR

V601-TBCR

## LUXE



V601-TL

CP	\$2,684
PN	\$2,954
SN(us15)/NL/BG	\$3,080
BGG/BGM	\$3,350
CTB/CNB	\$3,620
AG	\$3,786

### Available finishes



## V134-AIS Concealed thermostatic valve - rough

Requires V601-T. This valve has 1 controlled outlet.

Feeds: 1/2" NPT

Fitting depth: Min 2 13/16" - Max 3 1/4" with V601-T

Extension kits are available, please see page 307 for pricing.

CALGreen: Compliant when used with our C.E.C. shower heads or hand showers.



Mass. Code Approved



XX

\$1,124

# STYLE MODERNE Shower

## V611-T Trim set for V111-AIS thermostatic valve

Requires V111-AIS

V611-TM

V611-TMB	V611-TX	V611-TXB	CP	\$1,956
			PN	\$2,144
			SN(US15)/NL/BG	\$2,248
			BGG/BGM	\$2,456
			CTB/CNB	\$2,642
			AG	\$2,768

Projection: Max 3 3/4"

Mass. Code Approved



## QUILTED



V611-TCCQ

V611-TBCQ

## RADIANT



V611-TCCR

V611-TBCR

## LUXE



V611-TL

CP	\$2,684
PN	\$2,954
SN(US15)/NL/BG	\$3,080
BGG/BGM	\$3,350
CTB/CNB	\$3,620
AG	\$3,786

### Available finishes



## V111-AIS Concealed thermostatic valve - rough

Requires V611-T. This valve has a 2-way divertor.

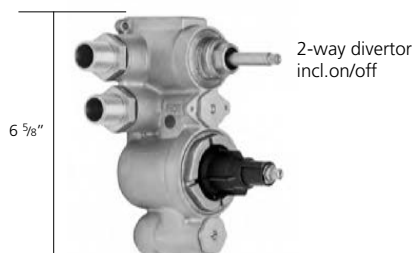
Feeds: 1/2" NPT

Fitting depth: Min 2 13/16" - Max 3 1/4" with V611-T

Extension kits are available, please see page 307 for pricing.

**CALGreen:** Compliant when used with our C.E.C. shower heads or hand showers.

Mass. Code Approved

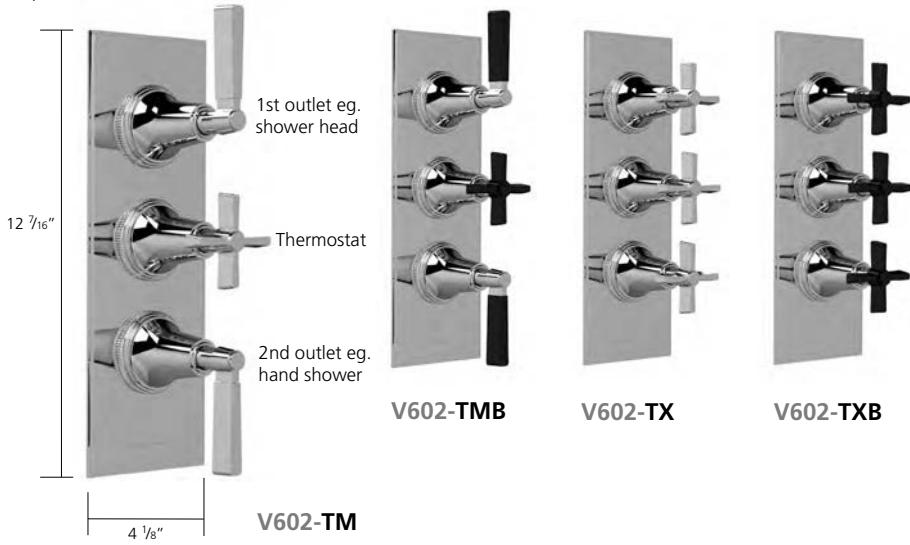


XX	\$1,208
----	---------

# STYLE MODERNE Shower

## V602-T Trim set for V135-AIS thermostatic valve, 2 separate volume controls

Requires V135-AIS



Horizontally mounted versions are also available for the V602. Please add an "H" to the end of the code when ordering for this variant.

<b>CP</b>	\$2,704
<b>PN</b>	\$2,976
<b>SN(us15)/NL/BG</b>	\$3,100
<b>BGG/BGM</b>	\$3,370
<b>CTB/CNB</b>	\$3,640
<b>AG</b>	\$3,808

Projection: Max 3 3/4"

Mass. Code Approved



### QUILTED



V602-TCCQ

V602-TBCQ

### RADIANT



V602-TCCR

V602-TBCR

### LUXE



V602-TL

<b>CP</b>	\$3,786
<b>PN</b>	\$4,160
<b>SN(us15)/NL/BG</b>	\$4,348
<b>BGG/BGM</b>	\$4,722
<b>CTB/CNB</b>	\$5,096
<b>AG</b>	\$5,326

#### Available finishes



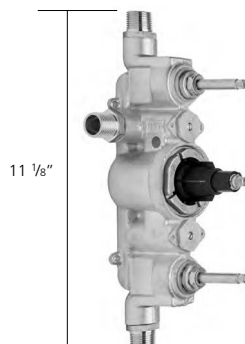
## V135-AIS Concealed thermostatic valve - rough

Requires V602-T. This valve has 2 controlled outlets

Feeds: 1/2" NPT

Fitting depth: Min 2 13/16" - Max 3 1/4" with V602-T

Extension kits are available, please see page 307 for pricing.



2 VOLUME CONTROLS

XX

\$1,498

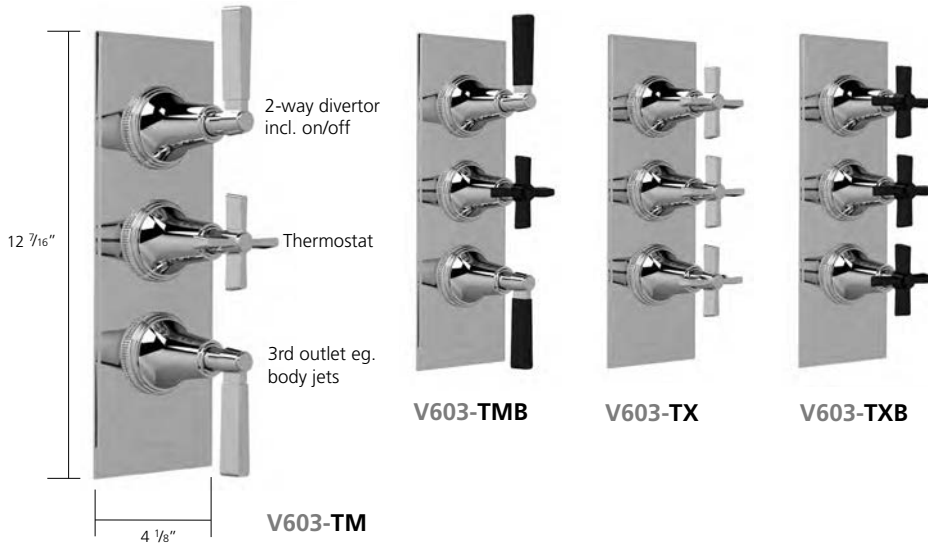
Mass. Code Approved



# STYLE MODERNE Shower

## V603-T Trim set for V132-AIS thermostatic valve, 2-way diverter with volume control

Requires V132-AIS



Horizontally mounted versions are also available for the V603. Please add an "H" to the end of the code when ordering for this variant.

<b>CP</b>	\$2,704
<b>PN</b>	\$2,976
<b>SN(us15)/NL/BG</b>	\$3,100
<b>BGG/BGM</b>	\$3,370
<b>CTB/CNB</b>	\$3,640
<b>AG</b>	\$3,808

Projection: Max 3 3/4"

Mass. Code Approved



### QUILTED



### RADIANT



### LUXE



<b>CP</b>	\$3,786
<b>PN</b>	\$4,160
<b>SN(us15)/NL/BG</b>	\$4,348
<b>BGG/BGM</b>	\$4,722
<b>CTB/CNB</b>	\$5,096
<b>AG</b>	\$5,326

### Available finishes



## V132-AIS Concealed thermostatic valve - rough

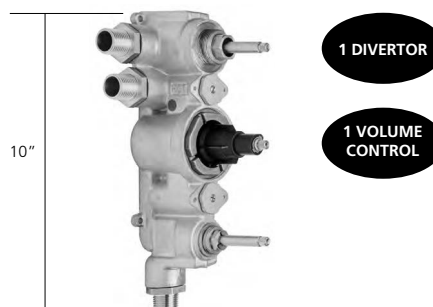
Requires V603-T. This valve has a two-way divertor plus an extra controlled outlet giving 3 options

Feeds: 3/4" NPT

Fitting depth: Min 2 7/8" - Max 3 1/4" with V603-T

Extension kits are available, please see page 307 for pricing.

Mass. Code Approved



<b>XX</b>	\$1,602
-----------	---------

# STYLE MODERNE Shower

## V668-T Trim set for V168-AIS concealed 3 way diverter

Requires V168-AIS



V668-TM

Projection: Max 3 1/2"

Mass. Code Approved



V668-TMB



V668-TX



V668-TXB

CP	\$612
PN	\$676
SN(US15)/NL/BG	\$708
BGG/BGM	\$762
CTB/CNB	\$826
AG	\$870

### QUILTED



V668-TCCQ



V668-TBCQ

### RADIANT



V668-TCCR



V668-TBCR

### LUXE



V668-TL



V668-TD

CP	\$956
PN	\$1,062
SN(US15)/NL/BG	\$1,104
BGG/BGM	\$1,208
CTB/CNB	\$1,290
AG	\$1,352

### Available finishes



## V168-AIS Concealed 3-way diverter rough

Requires V668-T

- One inlet, three outlets (one can be closed off)
- Diverter does not share water channels

Inlet & outlets: 1/2"

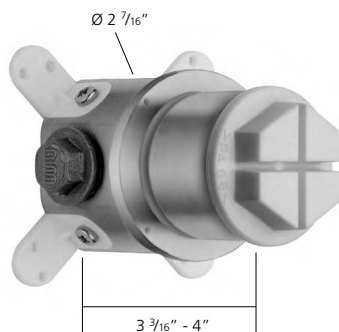
Fitting depth: Min 3 1/8" - Max 3 9/8" with V668-T

Extension kits are available, please see page 307 for pricing.

CALGreen: Compliant when used with our C.E.C. shower heads or hand showers.

Can be used for deck mounting providing the unit is supported sufficiently.

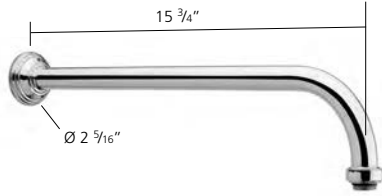
Mass. Code Approved



XX \$720

# STYLE MODERNE Shower

## V662-A 1/2" Overhead shower arm



<b>CP</b>	\$922
<b>PN</b>	\$1,020
<b>SN(us15)/NL/BG</b>	\$1,062
<b>BGG/BGM</b>	\$1,166
<b>CTB/CNB</b>	\$1,248
<b>AG</b>	\$1,312

## V663-A, V663-B 8" Easy clean shower head

For swivel ball joint order V987 on pages 80 or 126.



**C.E.C. Approved**  
**Mass. Code Approved**



Flow < 1.8 gpm  
Min. 45 psi  
V663-B Higher flow rate (2.5gpm) also available (not Approved)

<b>CP</b>	\$838
<b>PN</b>	\$946
<b>SN(us15)/NL/BG</b>	\$1,144
<b>BGG/BGM</b>	\$1,144
<b>CTB/CNB</b>	\$1,144
<b>AG</b>	\$1,208

## V669-A, S-A, -EXT 1/2" Ceiling tube for shower head



	V669-A	V669S-A	V669-EXT
<b>CP</b>	\$474	\$344	\$170
<b>PN</b>	\$516	\$388	\$184
<b>SN(us15)/NL/BG</b>	\$538	\$398	\$194
<b>BGG/BGM</b>	\$592	\$442	\$212
<b>CTB/CNB</b>	\$634	\$474	\$228
<b>AG</b>	\$666	\$494	\$238

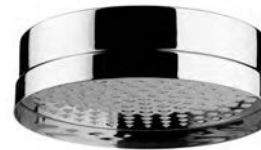
- V669-EXT extension piece can replace the 5 7/8" tube to give a 2" projection for fitting close to ceiling
- More than one V669-EXT extension pieces can be used

## V163 8" shower head

For swivel ball joint order V987 on pages 80 or 126.



Min. 45 psi

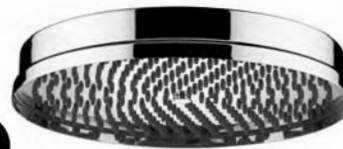


<b>CP</b>	\$762
<b>PN</b>	\$838
<b>NL</b>	\$880

## V665-A, V665-B 12" shower head

For swivel ball joint order V987 on pages 80 or 126.

Due to its weight this product is best used with a ceiling tube. If used with exposed pipework additional support brackets will be required.



Some nozzles may not give full flow due to the strict limitations of flow required by C.E.C.

**C.E.C. Approved**  
**Mass. Code Approved**



Flow < 1.8 gpm  
V665-B Higher flow rate (2.5gpm) also available (not Approved)

<b>CP</b>	\$1,582
<b>PN</b>	\$1,748
<b>SN(us15)/NL/BG</b>	\$1,790
<b>BGG/BGM</b>	\$1,956
<b>CTB/CNB</b>	\$2,102
<b>AG</b>	\$2,226

## V679-A, V679-B Adjustable, 6-jet easy clean shower head



**C.E.C. Approved**  
**Mass. Code Approved**



V679-B Higher flow rate (2.5gpm) also available (not Approved)

<b>CP</b>	\$976
<b>PN</b>	\$1,082
<b>SN(us15)/NL/BG</b>	\$1,144
<b>BGG/BGM</b>	\$1,228
<b>CTB/CNB</b>	\$1,332
<b>AG</b>	\$1,394

## V679-8A, V679-8B Adjustable, 8-jet easy clean shower head



**Feed:** 1/2" NPT  
Approval pending



V679-8B Higher flow rate (2.5gpm) also available (not Approved)

<b>CP</b>	\$1,020
<b>PN</b>	\$1,144
<b>SN(us15)/NL/BG</b>	\$1,186
<b>BGG/BGM</b>	\$1,290
<b>CTB/CNB</b>	\$1,436
<b>AG</b>	\$1,456

# STYLE MODERNE Shower

## V679ARM-A Arm and rose

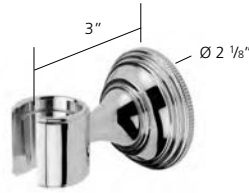


Thread: 1/2" NPT



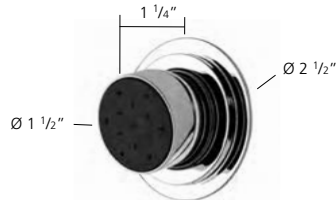
<b>CP</b>	\$530
<b>PN</b>	\$584
<b>SN(us15)/NL/BG</b>	\$610
<b>BGG/BGM</b>	\$662
<b>CTB/CNB</b>	\$716
<b>AG</b>	\$742

## V667 Wall bracket



<b>CP</b>	\$398
<b>PN</b>	\$442
<b>SN(us15)/NL/BG</b>	\$462
<b>BGG/BGM</b>	\$506
<b>CTB/CNB</b>	\$548
<b>AG</b>	\$568

## V276-A Bodyjet (high flow)



Feed: 1/2"

<b>CP</b>	\$592
<b>PN</b>	\$688
<b>SN(us15)/NL/BG</b>	\$688
<b>BGG/BGM</b>	\$742
<b>CTB/CNB</b>	\$858
<b>AG</b>	\$838

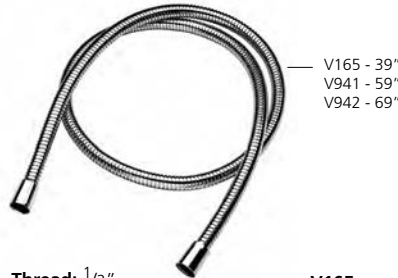
## V666-A Combined wall outlet / bracket



Feed: 1/2"

<b>CP</b>	\$280
<b>PN</b>	\$302
<b>SN(us15)/NL/BG</b>	\$312
<b>BGG/BGM</b>	\$334
<b>CTB/CNB</b>	\$368
<b>AG</b>	\$408

## V165, V941, V942 Hoses

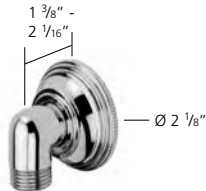


Thread: 1/2"



	V165	V941	V942
<b>CP</b>	\$134	\$134	\$152
<b>PN</b>	\$152	\$152	\$170
<b>SN(us15)/NL/BG</b>	\$224	\$224	\$238
<b>BGG/BGM</b>	\$280	\$280	\$292
<b>CTB/CNB</b>	\$484	\$484	\$494
<b>AG</b>	\$312	\$312	\$324

## V664-A Wall outlet



Feed: 1/2"

<b>CP</b>	\$238
<b>PN</b>	\$258
<b>SN(us15)/NL/BG</b>	\$270
<b>BGG/BGM</b>	\$292
<b>CTB/CNB</b>	\$324
<b>AG</b>	\$334

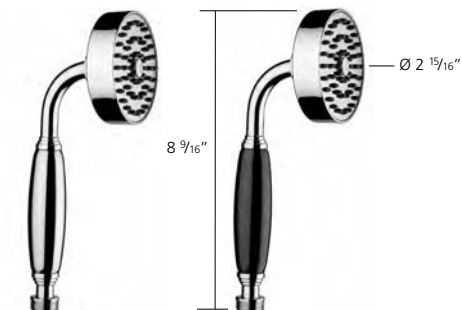
## V283 Angle bracket



Feed: 1/2"

<b>CP</b>	\$250
<b>PN</b>	\$278
<b>SN(us15)/NL/BG</b>	\$290
<b>BGG/BGM</b>	\$312
<b>CTB/CNB</b>	\$338
<b>AG</b>	\$344

## V654-A Easy clean hand shower



**V654-A**

**V654B-A**

Thread: 1/2"



Flow < 1.8 gpm



C US

C.E.C. Approved  
Mass. Code Approved

<b>CP</b>	\$666
<b>PN</b>	\$732
<b>SN(us15)/NL/BG</b>	\$772
<b>BGG/BGM</b>	\$838
<b>CTB/CNB</b>	\$902
<b>AG</b>	\$946

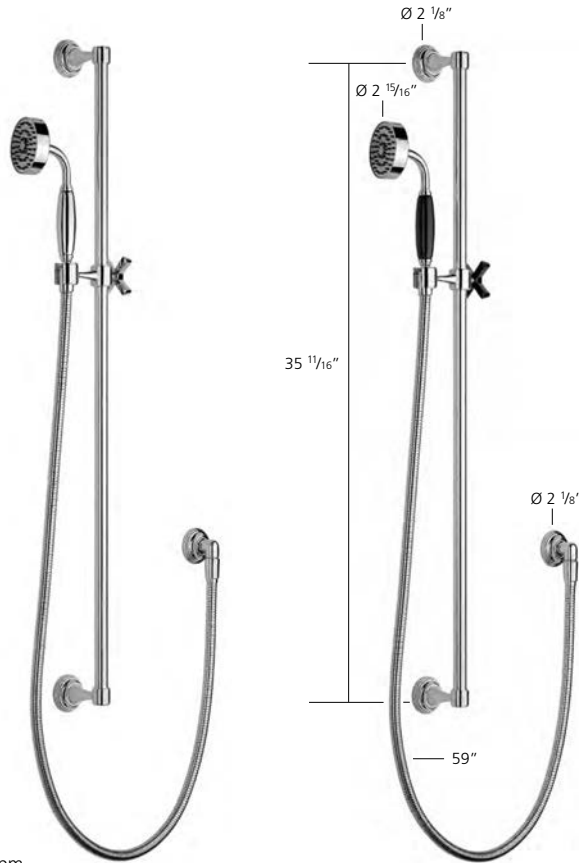
## V680 Bath boss for hand shower



<b>CP</b>	\$280
<b>PN</b>	\$312
<b>SN(us15)/NL/BG</b>	\$324
<b>BGG/BGM</b>	\$354
<b>CTB/CNB</b>	\$378
<b>AG</b>	\$398

# STYLE MODERNE Shower

## V670A-KIT Slider rail kit



Feed: 1/2"



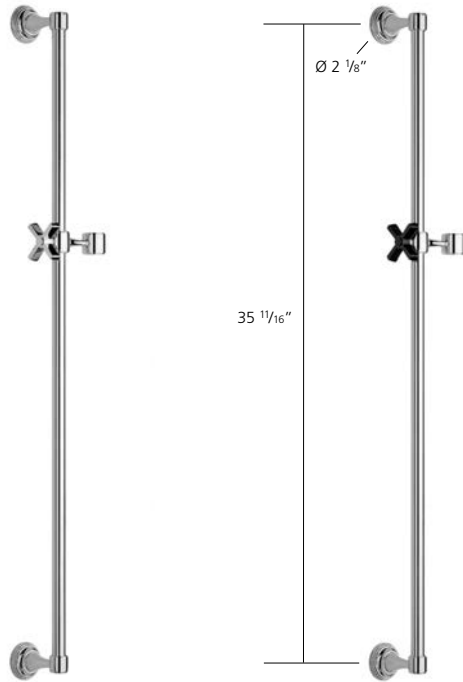
Flow < 1.8 gpm

V670A-KIT

V670A-KITB

<b>CP</b>	\$2,392
<b>PN</b>	\$2,642
<b>SN(US15)/NL/BG</b>	\$2,746
<b>BGG/BGM</b>	\$2,996
<b>CTB/CNB</b>	\$3,224
<b>AG</b>	\$3,370

## V670 Slider rail



V670-X

V670-XB

<b>CP</b>	\$1,540
<b>PN</b>	\$1,706
<b>SN(US15)/NL/BG</b>	\$1,768
<b>BGG/BGM</b>	\$1,936
<b>CTB/CNB</b>	\$2,080
<b>AG</b>	\$2,184

### Available finishes



**CP**  
chrome plate



**PN**  
polished nickel



**SN (US15)**  
satin nickel  
finish



**NL**  
non lacquered



**BG**  
brushed gold



**BGG**  
brushed gold gloss  
lacquered



**BGM**  
brushed gold matt  
lacquered



**CTB**  
city bronze



**CNB**  
country bronze



**AG**  
antique gold

# STYLE MODERNE Lavatory and bidet

**V6KA14** 3 hole lavatory filler with pop-up waste



**V6KA14M**



**V6KA14MB**



**V6KA14X**



**V6KA14XB**

	With PUW	No PUW
<b>CP</b>	\$2,808	\$2,704
<b>PN</b>	\$3,080	\$2,976
<b>SN(US15)/NL/BG</b>	\$3,224	\$3,100
<b>BGG/BGM</b>	\$3,496	\$3,370
<b>CTB/CNB</b>	\$3,786	\$3,640
<b>AG</b>	\$4,036	\$3,890

## QUILTED



**V6KA14CCQ**

## RADIANT



**V6KA14CCR**

## LUXE



**V6KA14L**



**V6KA14BCQ**



**V6KA14BCR**



**V6KA14D**

Without pop-up waste:  
order eg. V6KA14MNP

Feeds: 1/2"

Max deck thickness: 2 3/16"

Max drill hole Ø: 1 3/8"



Flow < 1.2 gpm



C.E.C. Approved

Mass. Code Approved  
(V6KALL14)

	With PUW	No PUW
<b>CP</b>	\$3,496	\$3,392
<b>PN</b>	\$3,848	\$3,744
<b>SN(US15)/NL/BG</b>	\$4,036	\$3,912
<b>BGG/BGM</b>	\$4,390	\$4,244
<b>CTB/CNB</b>	\$4,744	\$4,576
<b>AG</b>	\$5,056	\$4,888

### Available finishes



**CP**  
chrome plate



**PN**  
polished nickel



**SN (US15)**  
satin nickel  
finish



**NL**  
non lacquered



**BG**  
brushed gold



**BGG**  
brushed gold gloss  
lacquered



**BGM**  
brushed gold matt  
lacquered



**CTB**  
city bronze



**CNB**  
country bronze



**AG**  
antique gold

# STYLE MODERNE Lavatory

**V6KA16** 3 hole lavatory filler with pop-up waste



V6KA16M



V6KA16MB



V6KA16X



V6KA16XB

	With PUW	No PUW
CP	\$2,808	\$2,704
PN	\$3,080	\$2,976
SN(US15)/NL/BG	\$3,224	\$3,100
BGG/BGM	\$3,496	\$3,370
CTB/CNB	\$3,786	\$3,640
AG	\$4,036	\$3,890

## QUILTED



V6KA16CCQ

## RADIANT



V6KA16CCR

## LUXE



V6KA16L



V6KA16BCQ



V6KA16BCR



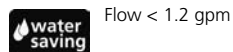
V6KA16D

Without pop-up waste:  
order eg. V6KA16MNP

Feeds: 1/2"

Max deck thickness: 2 3/16"

Max drill hole Ø: 1 3/8"



C.E.C. Approved

Mass. Code Approved  
(V616-ALL)

	With PUW	No PUW
CP	\$3,496	\$3,392
PN	\$3,848	\$3,744
SN(US15)/NL/BG	\$4,036	\$3,912
BGG/BGM	\$4,390	\$4,244
CTB/CNB	\$4,744	\$4,576
AG	\$5,056	\$4,888

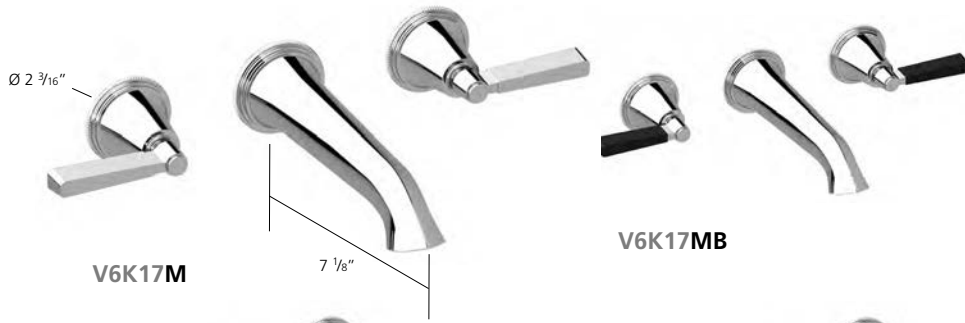
### Available finishes



# STYLE MODERNE Lavatory

## V6K17 Wall mounted lavatory filler, trim set

requires V118-AIS



V6K17M

V6K17MB

V6K17X

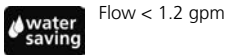
V6K17XB

CP	\$2,330
PN	\$2,560
SN(us15)/NL/BG	\$2,684
BGG/BGM	\$2,912
CTB/CNB	\$3,142
AG	\$3,350

### QUILTED

### RADIANT

### LUXE



C.E.C. Approved  
Mass. Code Approved

CP	\$3,038
PN	\$3,328
SN(us15)/NL/BG	\$3,474
BGG/BGM	\$3,786
CTB/CNB	\$4,098
AG	\$4,368

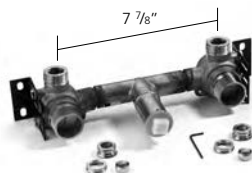
### Available finishes



### V118-AIS Rough

Feeds: 1/2" / 3/4"

Fitting depth: Min 2 5/16"



C.E.C. Approved  
Mass. Code Approved

XX \$558

# STYLE MODERNE Bidet

## V6KA13 3 hole bidet filler with pop-up waste



V6KA13M



V6KA13MB



V6KA13X



V6KA13XB

CP  
PN  
SN(US15)/NL/BG  
BGG/BGM  
CTB/CNB  
AG

	With PUW	No PUW
CP	\$2,850	\$2,768
PN	\$3,142	\$3,038
SN(US15)/NL/BG	\$3,308	\$3,184
BGG/BGM	\$3,578	\$3,454
CTB/CNB	\$3,870	\$3,744
AG	\$4,056	\$3,912

## QUILTED



V6KA13CCQ

## RADIANT



V6KA13CCR

## LUXE



V6KA13L



V6KA13BCQ



V6KA13BCR



V6KA13D

Feeds: 1/2"  
Max deck thickness: 1 9/16"  
Max drill hole Ø: 1 3/8"



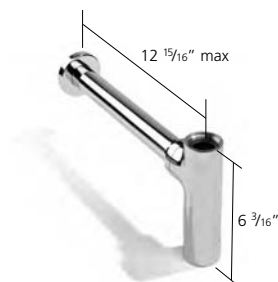
CP  
PN  
SN(US15)/NL/BG  
BGG/BGM  
CTB/CNB  
AG

	With PUW	No PUW
CP	\$3,578	\$3,474
PN	\$3,932	\$3,828
SN(US15)/NL/BG	\$4,120	\$4,016
BGG/BGM	\$4,472	\$4,348
CTB/CNB	\$4,826	\$4,702
AG	\$5,056	\$4,910

## Available finishes



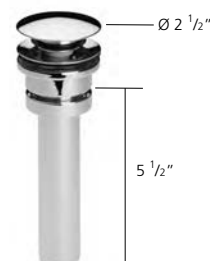
## V193-A 1 1/4" Basin bottle trap



CP	\$420
PN	\$538
SN(US15)	\$568
NL/BG	\$568
BGG/BGM	\$592
CTB/CNB	\$762
AG	\$602

## V192-A Lavatory drain

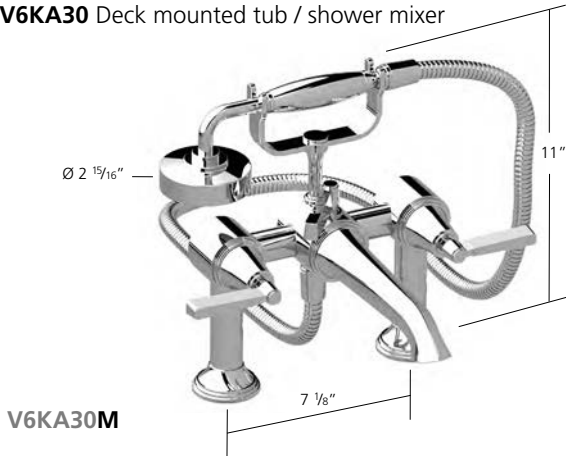
Can be used with or without an overflow



CP	\$148
PN	\$198
SN(US15)/NL/BG	\$248
BGG/BGM	\$270
CTB/CNB	\$312
AG	\$270

# STYLE MODERNE Tub

## V6KA30 Deck mounted tub / shower mixer



V6KA30M

Spout length: 9 1/16"

Feeds: 3/4"

Standpipes: If required on standpipes please order adaptor V630-ADAP (supplied free of charge)



C US  
(V630-A)

Mass. Code Approved



V6KA30MB



V6KA30X



V6KA30XB

CP	\$5,638
PN	\$6,200
SN(us15)/NL/BG	\$6,490
BGG/BGM	\$7,052
CTB/CNB	\$7,614
AG	\$8,112

## QUILTED



V6KA30CCQ

## RADIANT



V6KA30CCR

## LUXE



V6KA30L



V6KA30BCQ



V6KA30BCR



V6KA30D

CP	\$6,344
PN	\$6,968
SN(us15)/NL/BG	\$7,280
BGG/BGM	\$7,926
CTB/CNB	\$8,550
AG	\$9,132

### Available finishes



CP  
chrome plate



PN  
polished nickel



SN (us15)  
satin nickel  
finish



NL  
non lacquered



BG  
brushed gold



BGG  
brushed gold gloss  
lacquered



BGM  
brushed gold matt  
lacquered



CTB  
city bronze

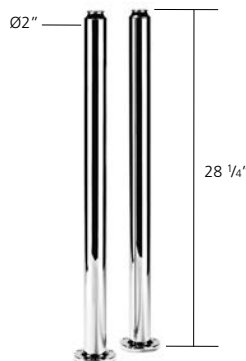


CNB  
country bronze



AG  
antique gold

## V238-A Standpipes for tub / shower mixers



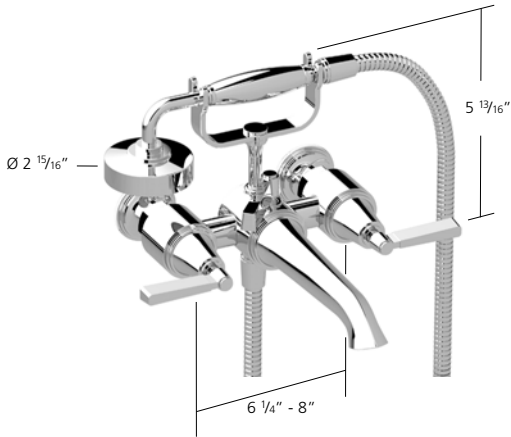
C US

Mass. Code Approved

CP	\$2,664
PN	\$2,934
SN(us15)/NL/BG	\$3,058
BGG/BGM	\$3,328
CTB/CNB	\$3,600
AG	\$3,828

# STYLE MODERNE Tub

V6KA32 Wall mounted tub / shower mixer



V6KA32M



C US  
(V632-A)

Spout length: 11 1/8"

Feeds: 3/4"

Mass. Code Approved



V6KA32MB



V6KA32X



V6KA32XB

CP	\$5,700
PN	\$6,282
SN(us15)/NL/BG	\$6,574
BGG/BGM	\$7,136
CTB/CNB	\$7,696
AG	\$8,216

## QUILTED



V6KA32CCQ

## RADIANT



V6KA32CCR

## LUXE



V6KA32L



V6KA32BCQ



V6KA32BCR



V6KA32D

CP	\$6,408
PN	\$7,052
SN(us15)/NL/BG	\$7,364
BGG/BGM	\$8,008
CTB/CNB	\$8,654
AG	\$9,216

### Available finishes



CP  
chrome plate



PN  
polished nickel



SN (us15)  
satin nickel  
finish



NL  
non lacquered



BG  
brushed gold



BGG  
brushed gold gloss  
lacquered



BGM  
brushed gold matt  
lacquered



CTB  
city bronze



CNB  
country bronze



AG  
antique gold

# STYLE MODERNE Tub

## V6KA48 Deck mounted 4-hole tub filler



### V6KA48M

Feeds: 3/4"

Max deck thickness: 1 9/16"

V6KA48MB

V6KA48X

V6KA48XB

CP	\$5,450
PN	\$5,992
SN(us15)/NL/BG	\$6,262
BGG/BGM	\$6,802
CTB/CNB	\$7,344
AG	\$7,696

## QUILTED

## RADIANT

## LUXE



V6KA48CCQ



V6KA48CCR



V6KA48L



V6KA48BCQ



V6KA48BCR



V6KA48D

CP	\$6,158
PN	\$6,760
SN(us15)/NL/BG	\$7,072
BGG/BGM	\$7,696
CTB/CNB	\$8,300
AG	\$8,696

### Available finishes



CP  
chrome plate

PN  
polished nickel

SN (us15)  
satin nickel  
finish

NL  
non lacquered

BG  
brushed gold

BGG  
brushed gold gloss  
lacquered

BGM  
brushed gold matt  
lacquered

CTB  
city bronze

CNB  
country bronze

AG  
antique gold

# STYLE MODERNE Tub

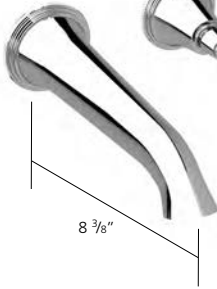
## V6K47 Wall mounted tub filler, trim set

requires V118-AIS

Ø 2 1/4"



V6K47M



8 3/8"

V6K47MB



V6K47X



V6K47XB



CP	\$2,664
PN	\$2,934
SN(us15)/NL/BG	\$3,058
BGG/BGM	\$3,328
CTB/CNB	\$3,600
AG	\$3,766

### QUILTED



V6K47CCQ

### RADIANT



V6K47CCR

### LUXE



V6K47L



V6K47BCQ



V6K47BCR



V6K47D

CP	\$3,370
PN	\$3,724
SN(us15)/NL/BG	\$3,870
BGG/BGM	\$4,224
CTB/CNB	\$4,556
AG	\$4,764

### Available finishes



CP  
chrome plate



PN  
polished nickel



SN (us15)  
satin nickel  
finish



NL  
non lacquered



BG  
brushed gold



BGG  
brushed gold gloss  
lacquered



BGM  
brushed gold matt  
lacquered



CTB  
city bronze



CNB  
country bronze



AG  
antique gold

## V118-AIS Rough

Feeds: 1/2" / 3/4"

Fitting depth: Min 2 5/16"



C US

C.E.C. Approved  
Mass. Code Approved



XX

\$558

# STYLE MODERNE Tub

## V6KA42 Deck mounted side valves (pair)



V6KA42M



V6KA42MB



V6KA42X



V6KA42XB

CP	\$2,268
PN	\$2,496
SN(us15)/NL/BG	\$2,622
BGG/BGM	\$2,830
CTB/CNB	\$3,058
AG	\$3,204

### QUILTED



V6KA42CCQ

### RADIANT



V6KA42CCR

### LUXE



V6KA42L



V6KA42BCQ



V6KA42BCR



V6KA42D

Feeds: 3/4"  
 Max deck thickness: 1 13/16"  
 Max drill hole Ø : 1 3/4"

CP	\$2,976
PN	\$3,288
SN(us15)/NL/BG	\$3,432
BGG/BGM	\$3,724
CTB/CNB	\$4,036
AG	\$4,202

### Available finishes



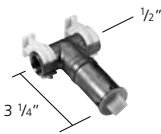
# STYLE MODERNE Tub

**V646** Wall mounted spout, trim set  
requires V158-AIS



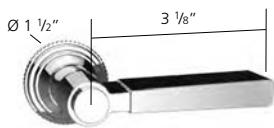
CP	\$1,248
PN	\$1,352
SN(US15)/NL/BG	\$1,416
BGG/BGM	\$1,560
CTB/CNB	\$1,664
AG	\$1,748

**V158-AIS** Spout rough for V646



**XX** \$334

**V677** Toilet trip lever



**V677-TM**

**V677-TMB**

Check compatibility with toilet manufacturer

CP	\$452
PN	\$506
SN(US15)/NL/BG	\$528
BGG/BGM	\$568
CTB/CNB	\$622
AG	\$644

**V680** Tub boss for hand shower



CP	\$280
PN	\$312
SN(US15)/NL/BG	\$324
BGG/BGM	\$354
CTB/CNB	\$378
AG	\$398

**V283** Angle bracket



Feed: 1/2"

CP	\$250
PN	\$278
SN(US15)/NL/BG	\$290
BGG/BGM	\$312
CTB/CNB	\$338
AG	\$344

**V165, V941, V942** Hoses

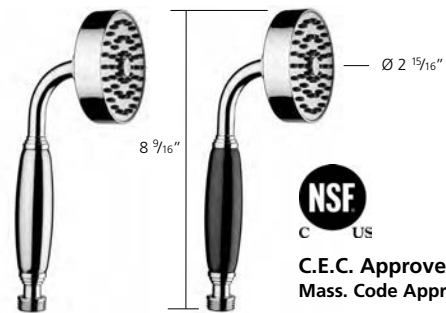


Thread: 1/2"



CP	\$134	\$134	\$152
PN	\$152	\$152	\$170
SN(US15)/NL/BG	\$224	\$224	\$238
BGG/BGM	\$280	\$280	\$292
CTB/CNB	\$484	\$484	\$494
AG	\$312	\$312	\$324

**V654-A** Easy clean hand shower



**V654 -A**

**V654B-A**

CP	\$666
PN	\$732
SN(US15)/NL/BG	\$772
BGG/BGM	\$838
CTB/CNB	\$902
AG	\$946

Thread: 1/2"



Flow < 1.8 gpm

## Wastes and ancillaries

**VA60-US** Lavatory waste with metal plug, chain and stay



Chain length: 11"

Waste: 1 1/4"

CP	\$280
PN	\$312
SN(US15)/NL/BG	\$324
AG	\$368

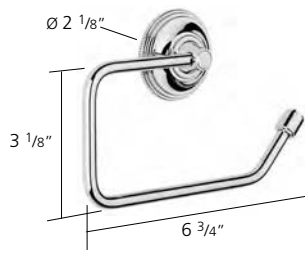
**VA72** Faucet hole stopper - drilled



CP	\$192
PN	\$216
SN(US15)/NL/BG	\$228
BGG/BGM	\$248
CTB/CNB	\$270
AG	\$248

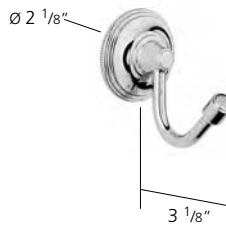
# STYLE MODERNE Accessories

**N6637** Paper holder



<b>CP</b>	\$292
<b>PN</b>	\$324
<b>SN(us15)/NL/BG</b>	\$334
<b>BGG/BGM</b>	\$366
<b>CTB/CNB</b>	\$388
<b>AG</b>	\$408

**N6648** Robe hook



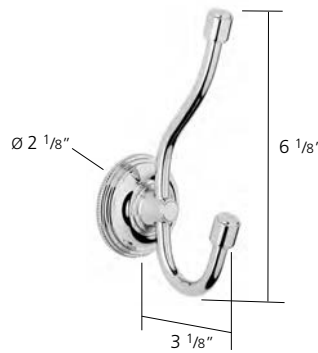
<b>CP</b>	\$254
<b>PN</b>	\$280
<b>SN(us15)/NL/BG</b>	\$292
<b>BGG/BGM</b>	\$312
<b>CTB/CNB</b>	\$344
<b>AG</b>	\$354

**N6637-C** Paper holder



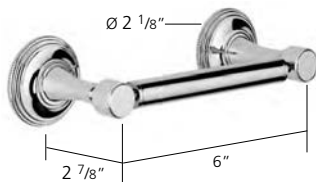
<b>CP</b>	\$484
<b>PN</b>	\$528
<b>SN(us15)/NL/BG</b>	\$558
<b>BGG/BGM</b>	\$602
<b>CTB/CNB</b>	\$656
<b>AG</b>	\$688

**N6639** Double robe hook



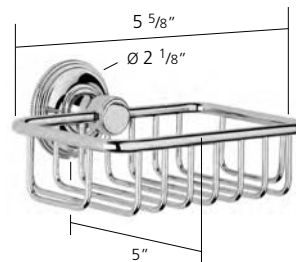
<b>CP</b>	\$324
<b>PN</b>	\$354
<b>SN(us15)/NL/BG</b>	\$368
<b>BGG/BGM</b>	\$398
<b>CTB/CNB</b>	\$430
<b>AG</b>	\$452

**N6652** Paper holder



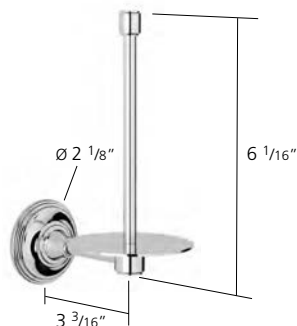
<b>CP</b>	\$558
<b>PN</b>	\$622
<b>SN(us15)/NL/BG</b>	\$644
<b>BGG/BGM</b>	\$698
<b>CTB/CNB</b>	\$762
<b>AG</b>	\$796

**N6630** Soap basket



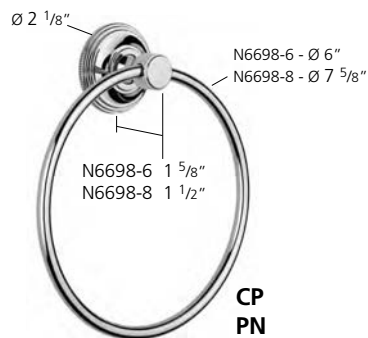
<b>CP</b>	\$408
<b>PN</b>	\$452
<b>SN(us15)/NL/BG</b>	\$474
<b>BGG/BGM</b>	\$516
<b>CTB/CNB</b>	\$558
<b>AG</b>	\$582

**N6631** Spare paper holder



<b>CP</b>	\$388
<b>PN</b>	\$430
<b>SN(us15)/NL/BG</b>	\$452
<b>BGG/BGM</b>	\$494
<b>CTB/CNB</b>	\$528
<b>AG</b>	\$558

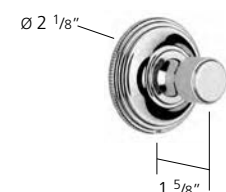
**N6698-6, N6698-8** Towel ring



**N6698-6**   **N6698-8**

<b>CP</b>	\$302	\$334
<b>PN</b>	\$334	\$368
<b>SN(us15)/NL/BG</b>	\$354	\$378
<b>BGG/BGM</b>	\$388	\$420
<b>CTB/CNB</b>	\$420	\$452
<b>AG</b>	\$430	\$474

**N6632** Robe hook



<b>CP</b>	\$184
<b>PN</b>	\$204
<b>SN(us15)/NL/BG</b>	\$216
<b>BGG/BGM</b>	\$238
<b>CTB/CNB</b>	\$254
<b>AG</b>	\$258

# STYLE MODERNE Accessories

**N6634B** Soap holder - black ceramic



<b>CP</b>	\$344
<b>PN</b>	\$388
<b>SN(us15)/NL/BG</b>	\$398
<b>BGG/BGM</b>	\$442
<b>CTB/CNB</b>	\$474
<b>AG</b>	\$494

**N6634W** Soap holder - white ceramic



<b>CP</b>	\$344
<b>PN</b>	\$388
<b>SN(us15)/NL/BG</b>	\$398
<b>BGG/BGM</b>	\$442
<b>CTB/CNB</b>	\$474
<b>AG</b>	\$494

**N6647B** Liquid soap dispenser - black ceramic



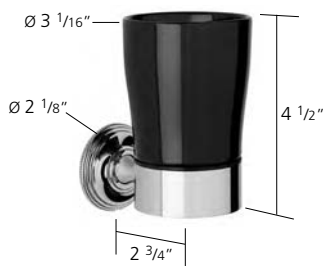
<b>CP</b>	\$430
<b>PN</b>	\$474
<b>SN(us15)/NL/BG</b>	\$494
<b>BGG/BGM</b>	\$538
<b>CTB/CNB</b>	\$582
<b>AG</b>	\$602

**N6647W** Liquid soap dispenser - white ceramic



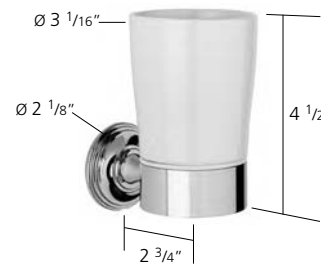
<b>CP</b>	\$430
<b>PN</b>	\$474
<b>SN(us15)/NL/BG</b>	\$494
<b>BGG/BGM</b>	\$538
<b>CTB/CNB</b>	\$582
<b>AG</b>	\$602

**N6635B** Tumbler holder - black ceramic



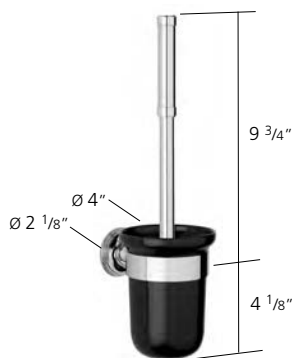
<b>CP</b>	\$334
<b>PN</b>	\$368
<b>SN(us15)/NL/BG</b>	\$388
<b>BGG/BGM</b>	\$420
<b>CTB/CNB</b>	\$452
<b>AG</b>	\$474

**N6635W** Tumbler holder - white ceramic



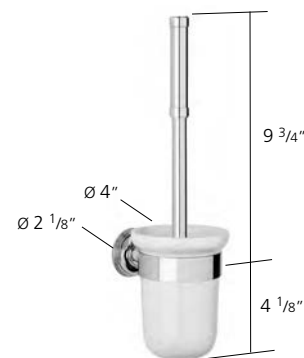
<b>CP</b>	\$334
<b>PN</b>	\$368
<b>SN(us15)/NL/BG</b>	\$388
<b>BGG/BGM</b>	\$420
<b>CTB/CNB</b>	\$452
<b>AG</b>	\$474

**N6649B** Wall mounted toilet brush - black ceramic



<b>CP</b>	\$506
<b>PN</b>	\$558
<b>SN(us15)/NL/BG</b>	\$592
<b>BGG/BGM</b>	\$634
<b>CTB/CNB</b>	\$688
<b>AG</b>	\$720

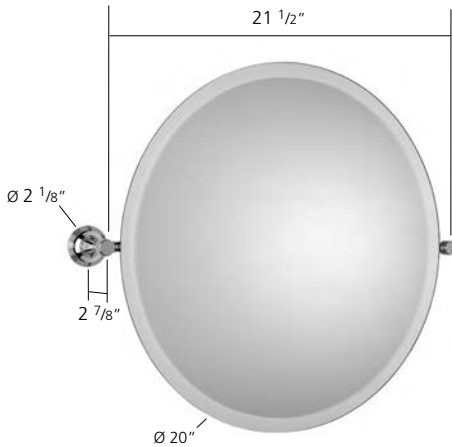
**N6649W** Wall mounted toilet brush - white ceramic



<b>CP</b>	\$506
<b>PN</b>	\$558
<b>SN(us15)/NL/BG</b>	\$592
<b>BGG/BGM</b>	\$634
<b>CTB/CNB</b>	\$688
<b>AG</b>	\$720

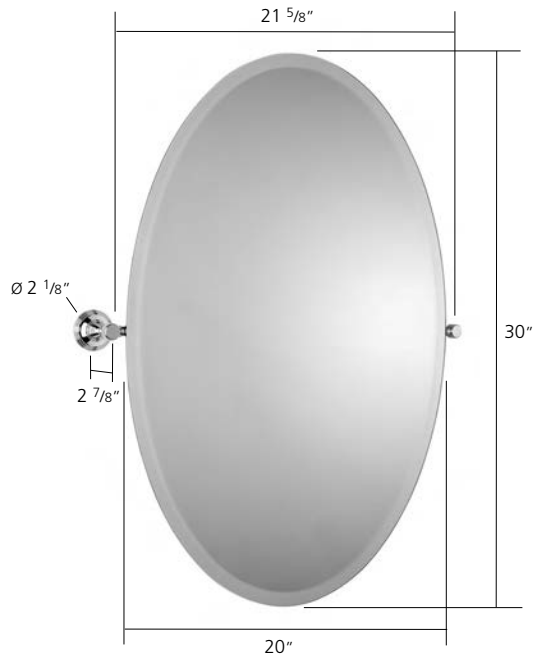
# STYLE MODERNE Accessories

**L6745** Tilting mirror



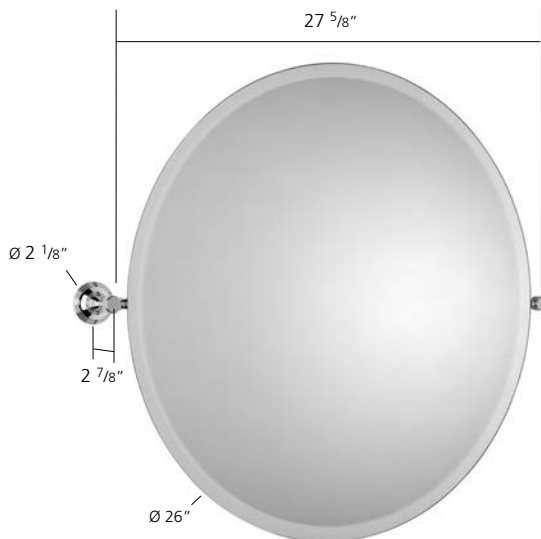
<b>CP</b>	\$976
<b>PN</b>	\$1,082
<b>SN(us15)/NL/BG</b>	\$1,144
<b>BGG/BGM</b>	\$1,228
<b>CTB/CNB</b>	\$1,332
<b>AG</b>	\$1,394

**L6746-XL** Tilting mirror



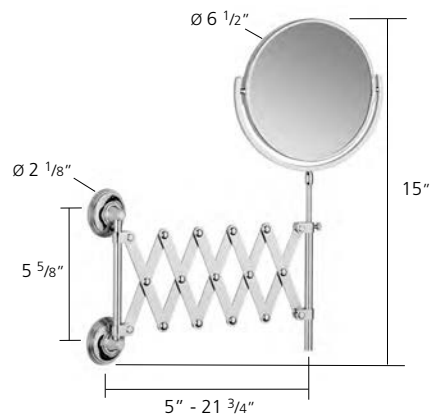
<b>CP</b>	\$1,270
<b>PN</b>	\$1,394
<b>SN(us15)/NL/BG</b>	\$1,478
<b>BGG/BGM</b>	\$1,602
<b>CTB/CNB</b>	\$1,728
<b>AG</b>	\$1,832

**L6745-XL** Tilting mirror



<b>CP</b>	\$1,312
<b>PN</b>	\$1,436
<b>SN(us15)/NL/BG</b>	\$1,498
<b>BGG/BGM</b>	\$1,624
<b>CTB/CNB</b>	\$1,748
<b>AG</b>	\$1,852

**L6708** Extending mirror, plain/magnifying (x5)



<b>CP</b>	\$2,040
<b>PN</b>	\$2,248
<b>SN(us15)/NL/BG</b>	\$2,352
<b>BGG/BGM</b>	\$2,560
<b>CTB/CNB</b>	\$2,768
<b>AG</b>	\$2,934

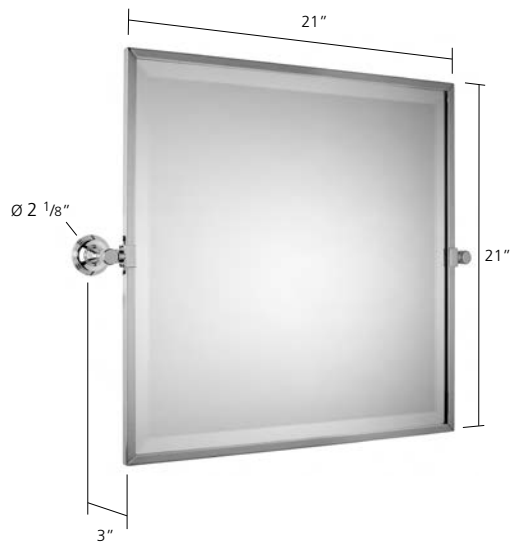
# STYLE MODERNE Accessories

## L6743-C Framed mirror



<b>CP</b>	\$2,144
<b>PN</b>	\$2,352
<b>SN(us15)/NL/BG</b>	\$2,456
<b>BGG/BGM</b>	\$2,664
<b>CTB/CNB</b>	\$2,892
<b>AG</b>	\$3,058

## L6749 Framed bevelled tilting mirror



<b>CP</b>	\$2,164
<b>PN</b>	\$2,392
<b>SN(us15)/NL/BG</b>	\$2,496
<b>BGG/BGM</b>	\$2,704
<b>CTB/CNB</b>	\$2,934
<b>AG</b>	\$3,100

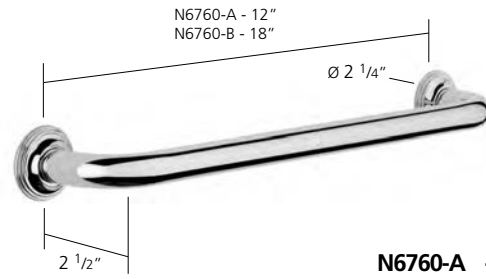
# STYLE MODERNE Accessories

## N6655, A Towel rail



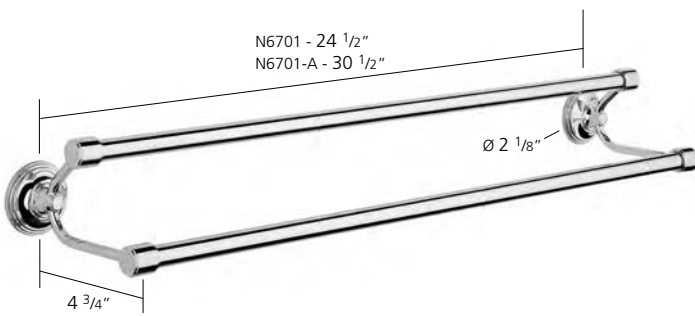
	<b>N6655 -A</b>	
<b>CP</b>	\$656	\$676
<b>PN</b>	\$720	\$742
<b>SN(us15)/NL/BG</b>	\$762	\$772
<b>BGG/BGM</b>	\$826	\$848
<b>CTB/CNB</b>	\$892	\$912
<b>AG</b>	\$934	\$956

## N6760-A, B Grab Rail



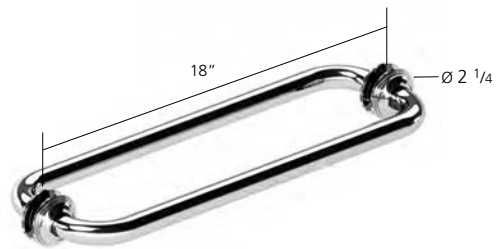
	<b>N6760-A -B</b>	
<b>CP</b>	\$602	\$634
<b>PN</b>	\$656	\$698
<b>SN(us15)/NL/BG</b>	\$688	\$732
<b>BGG/BGM</b>	\$752	\$796
<b>CTB/CNB</b>	\$806	\$858
<b>AG</b>	\$848	\$902

## N6701, A Double towel rail



	<b>N6701 -A</b>	
<b>CP</b>	\$796	\$806
<b>PN</b>	\$870	\$880
<b>SN(us15)/NL/BG</b>	\$912	\$922
<b>BGG/BGM</b>	\$986	\$1,010
<b>CTB/CNB</b>	\$1,082	\$1,104
<b>AG</b>	\$1,124	\$1,144

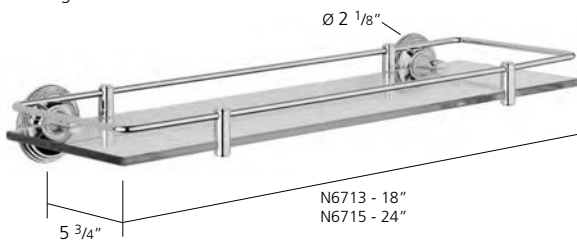
## N6761-B Grab Rail with back-to-back fixing for shower doors



<b>CP</b>	\$1,602
<b>PN</b>	\$1,748
<b>SN(us15)/NL/BG</b>	\$1,832
<b>BGG/BGM</b>	\$1,998
<b>CTB/CNB</b>	\$2,144
<b>AG</b>	\$2,248

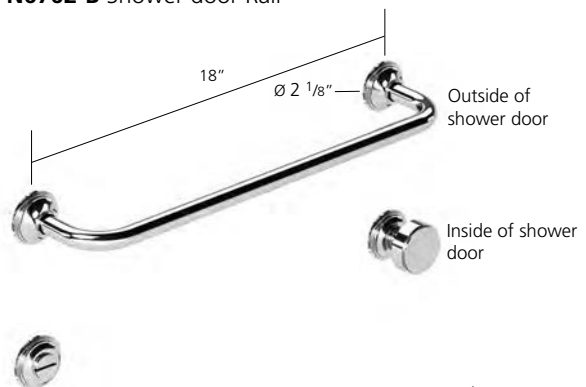
## N6713, N6715 Glass shelf with fixed rail

- Clear glass



	<b>N6713</b>	<b>N6715</b>
<b>CP</b>	\$708	\$784
<b>PN</b>	\$784	\$870
<b>SN(us15)/NL/BG</b>	\$816	\$902
<b>BGG/BGM</b>	\$880	\$986
<b>CTB/CNB</b>	\$956	\$1,062
<b>AG</b>	\$998	\$1,124

## N6762-B Shower door Rail



<b>CP</b>	\$1,144
<b>PN</b>	\$1,248
<b>SN(us15)/NL/BG</b>	\$1,312
<b>BGG/BGM</b>	\$1,416
<b>CTB/CNB</b>	\$1,540
<b>AG</b>	\$1,602

# STYLE MODERNE Freestanding accessories

**N6664B** Soap holder - black ceramic



<b>CP</b>	\$368
<b>PN</b>	\$408
<b>SN(us15)/NL/BG</b>	\$420
<b>BGG/BGM</b>	\$462
<b>CTB/CNB</b>	\$494
<b>AG</b>	\$516

**N6664W** Soap holder - white ceramic



<b>CP</b>	\$368
<b>PN</b>	\$408
<b>SN(us15)/NL/BG</b>	\$420
<b>BGG/BGM</b>	\$462
<b>CTB/CNB</b>	\$494
<b>AG</b>	\$516

**N6666B** Liquid soap dispenser - black ceramic



<b>CP</b>	\$408
<b>PN</b>	\$442
<b>SN(us15)/NL/BG</b>	\$462
<b>BGG/BGM</b>	\$506
<b>CTB/CNB</b>	\$548
<b>AG</b>	\$568

**N6666W** Liquid soap dispenser - white ceramic



<b>CP</b>	\$408
<b>PN</b>	\$442
<b>SN(us15)/NL/BG</b>	\$462
<b>BGG/BGM</b>	\$506
<b>CTB/CNB</b>	\$548
<b>AG</b>	\$568

**N6665B** Tumbler holder - black ceramic



<b>CP</b>	\$354
<b>PN</b>	\$388
<b>SN(us15)/NL/BG</b>	\$408
<b>BGG/BGM</b>	\$442
<b>CTB/CNB</b>	\$484
<b>AG</b>	\$506

**N6665W** Tumbler holder - white ceramic



<b>CP</b>	\$354
<b>PN</b>	\$388
<b>SN(us15)/NL/BG</b>	\$408
<b>BGG/BGM</b>	\$442
<b>CTB/CNB</b>	\$484
<b>AG</b>	\$506





## *Fairfield*

Fairfield taps, showers and bathroom accessories are a balanced combination of the diverse formal design influences of the Arts and Crafts and Aesthetic Movements which flourished between 1880 and 1910. The careful proportioning of Fairfield also reflects the qualities inspired by the era whilst design options are enhanced by a choice of cross-top controls or levers available in crystal, wood, ceramic or metal.

# Fairfield

## Shower



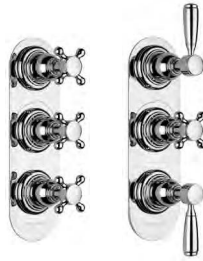
V200



V207



V201  
V211



V202  
V203



V2K6A



V2K7A



V2K5A



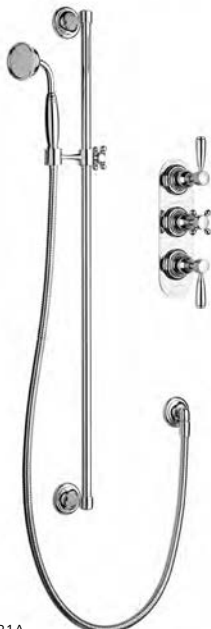
V2K4A



V2B1A



V2B2A



Lavatory and bidet



V2KA09  
V2KALL09



V2KA14 / V2KA15  
V2KALL14 / V2KALL15



V2KA16  
V2KALL16



V2KA17

Tub



V2KA30 / V2K31 also available as a wall mounted option - V2KA32



V238-A



V2KA47



V2KA48



V2KA42

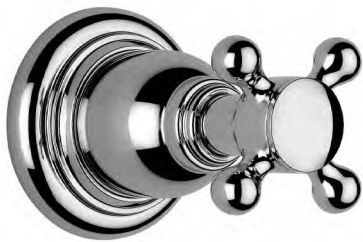


V277

*Fairfield* Control options



Gloss black  
chrome lever - **GBC**



Cross top - **X**



Metal lever - **M**



Ceramic lever - **C**



Wood lever - **W**  
Please see website for color representation

*Fairfield* Crystal control options

*Organic Crystal*



Clear organic crystal lever - **GC**



Black organic crystal lever - **GB**

*Geometric Crystal*



Clear geometric crystal lever - **SC**



Black geometric crystal lever - **SB**

# Fairfield Shower

**V2K6A** Exposed 1/2" thermostatic shower set

Example shown here is **V2K6AXM9**  
with cross top / metal levers and  
V909-A shower head



**V2K6AMM**  
metal levers



**V2K6AXGBC**  
cross top and gloss black chrome levers

Feeds: 1/2"

Centers: 8"

Height extensions are available, please contact our sales office

V240 valve and V241 volume control: NSF approval pending



## Available finishes



**CP**  
chrome plate



**PN**  
polished nickel



**SN (US15)**  
satin nickel  
finish



**NL**  
non lacquered



**BG**  
brushed gold



**BGG**  
brushed gold gloss  
lacquered



**BGM**  
brushed gold matt  
lacquered



**CTB**  
city bronze



**CNB**  
country bronze



**AG**  
antique gold

# Fairfield Shower



**V2K6AXC**  
cross top and ceramic levers



**V2K6ACC**  
ceramic levers



**V2K6AXW**  
cross top and wooden levers

Change these letters  
for the handles you require

**V2K6AXM8**

with V908 8"  
standard shower head

<b>CP</b>	\$9,424
<b>PN</b>	\$10,422
<b>SN<sub>(US15)</sub>/NL</b>	\$11,066
<b>BG</b>	\$11,462
<b>BGG/BGM</b>	-
<b>CTB/CNB</b>	-
<b>AG</b>	\$13,812

Change this number for  
the shower head you require (SEE PAGE 239-240)

**V2K6AXM9**

with V909-A 8"  
easyclean shower head

\$9,548
\$10,526
\$11,212
\$11,628
\$13,750
\$13,750
\$13,978

**V2K6AXM12**

with V912 12"  
standard shower head

\$10,110
\$11,170
\$11,878
\$11,878
-
-
\$14,520

**V2K6AXM13**

with V913-A 12"  
easyclean shower head

\$10,796
\$11,878
\$12,584
\$12,584
\$15,060
\$15,060
\$15,392

See overleaf for our crystal levers

# Fairfield Shower

**V2K6A** Exposed 1/2" thermostatic shower set

## *Organic Crystal*



**V2K6AXGC**  
*cross top and clear crystal levers*



**V2K6AXGB**  
*cross top and black crystal levers*

### Available finishes



**CP**  
chrome plate

**PN**  
polished nickel

**SN (US15)**  
satin nickel  
finish

**NL**  
non lacquered

**BG**  
brushed gold

**BGG**  
brushed gold gloss  
lacquered

**BGM**  
brushed gold matt  
lacquered

**CTB**  
city bronze

**CNB**  
country bronze

**AG**  
antique gold

# Fairfield Shower

## Geometric Crystal



**V2K6AXSC**

*cross top and clear crystal levers*



**V2K6AXSB**

*cross top and black crystal levers*

Change these letters  
for the handles you require

Change this number for  
the shower head you require (SEE PAGE 239-240)

**V2K6AXGC8**

with V908 8"  
standard shower head

**V2K6AXGC9**

with V909-A 8"  
easyclean shower head

**V2K6AXGC12**

with V912 12"  
standard shower head

**V2K6AXGC13**

with V913-A 12"  
easyclean shower head

**CP**  
**PN**  
**SN<sub>(US15)</sub>/NL**  
**BG**  
**BGG/BGM**  
**CTB/CNB**  
**AG**

\$10,442  
\$11,524  
\$12,232  
\$12,232  
-  
-  
\$15,268

\$10,568  
\$11,628  
\$12,398  
\$12,398  
\$13,832  
\$15,122  
\$15,434

\$11,128  
\$12,294  
\$13,042  
\$13,042  
-  
-  
\$15,954

\$11,816  
\$13,000  
\$13,770  
\$13,770  
\$14,956  
\$16,432  
\$16,848

# Fairfield Shower

**V2K5A** Exposed 1/2" thermostatic shower set

Example shown here is **V2K5AXM9**  
with cross top / metal levers and  
V909-A shower head



**V2K5AMM**  
metal levers



**V2K5AXGBC**  
cross top and gloss black  
chrome lever

**Feeds:** 1/2"

**Centers:** 8"

Height extensions are available, please contact our sales office

V240 valve and V241 volume control: NSF approval pending

**CALGreen:** Compliant when used with our CALGreen shower heads or hand showers.



## Available finishes



**CP**  
chrome plate



**PN**  
polished nickel



**SN (US15)**  
satin nickel  
finish



**NL**  
non lacquered



**BG**  
brushed gold



**BGG**  
brushed gold gloss  
lacquered



**BGM**  
brushed gold matt  
lacquered



**CTB**  
city bronze



**CNB**  
country bronze



**AG**  
antique gold

# Fairfield Shower



**V2K5AXC**

*cross top and ceramic lever*



**V2K5ACC**

*ceramic levers*



**V2K5AXW**

*cross top and wooden lever*

Change these letters  
for the handles you require

**V2K5AXM8**

with V908 8"  
standard shower head

Change this number for  
the shower head you require (SEE PAGE 239-240)

**V2K5AXM9**

with V909-A 8"  
easyclean shower head

<b>CP</b>	\$10,026	\$10,068
<b>PN</b>	\$11,066	\$11,128
<b>SN(us15)/NL</b>	\$11,752	\$11,856
<b>BG</b>	\$12,148	\$12,272
<b>BGG/BGM</b>	\$12,522	\$12,584
<b>CTB/CNB</b>	\$13,520	\$14,520
<b>AG</b>	\$14,664	\$14,790

See overleaf for our crystal levers

# *Fairfield* Shower

**V2K5A** Exposed 1/2" thermostatic shower set

*Organic Crystal*



## Available finishes



**CP**  
chrome plate



**PN**  
polished nickel



**SN (US15)**  
satin nickel  
finish



**NL**  
non lacquered



**BG**  
brushed gold



**BGG**  
brushed gold gloss  
lacquered



**BGM**  
brushed gold matt  
lacquered



**CTB**  
city bronze



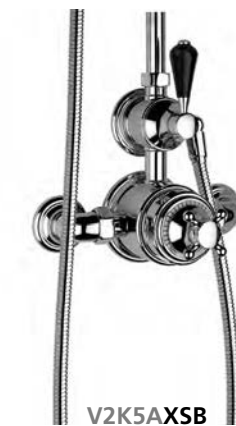
**CNB**  
country bronze



**AG**  
antique gold

# Fairfield Shower

## Geometric Crystal



Change these letters  
for the handles you require

**V2K5AGC8**

with V908 8"  
standard shower head

<b>CP</b>	\$10,380
<b>PN</b>	\$11,462
<b>SN<sub>(US15)/NL</sub></b>	\$12,168
<b>BG</b>	\$12,564
<b>BGG/BGM</b>	\$12,958
<b>CTB/CNB</b>	\$13,998
<b>AG</b>	\$15,164

Change this number for  
the shower head you require (SEE PAGE 239-240)

**V2K5AGC9**

with V909-A 8"  
easyclean shower head

	\$10,422
	\$11,524
	\$12,272
	\$12,668
	\$13,022
	\$14,976
	\$15,268

# Fairfield Shower

**V2K7A** Exposed 1/2" thermostatic shower set

Example shown here is **V2K7AXM9**  
with cross top / metal lever and  
V909-A shower head



**V2K7AMM**  
metal levers



**V2K7AXGBC**  
cross top and gloss black  
chrome lever

**Feeds:** 1/2"

**Centers:** 8"

**CALGreen:** Flow <2.0gpm (When used with applicable shower head)

Height extensions are available, please contact our sales office

V240 valve and V241 volume control: NSF approval pending



## Available finishes



**CP**  
chrome plate



**PN**  
polished nickel



**SN (US15)**  
satin nickel  
finish



**NL**  
non lacquered



**BG**  
brushed gold



**BGG**  
brushed gold gloss  
lacquered



**BGM**  
brushed gold matt  
lacquered



**CTB**  
city bronze



**CNB**  
country bronze



**AG**  
antique gold

# Fairfield Shower



**V2K7AXC**  
cross top and ceramic lever



**V2K7ACC**  
ceramic levers



**V2K7AXW**  
cross top and wooden lever

Change these letters  
for the handles you require

**V2K7AXM8**

with V908 8"  
standard shower head

<b>CP</b>	\$6,678
<b>PN</b>	\$7,344
<b>SN(us15)/NL</b>	\$7,676
<b>BG</b>	\$7,676
<b>BGG/BGM</b>	-
<b>CTB/CNB</b>	-
<b>AG</b>	\$9,714

Change this number for  
the shower head you require (SEE PAGE 239-240)

**V2K7AXM9**

with V909-A 8"  
easyclean shower head

\$6,720
\$7,406
\$7,780
\$8,176
\$8,404
\$9,424
\$9,840

**V2K7AXM12**

with V912 12"  
standard shower head

\$7,364
\$8,092
\$8,466
\$8,466
-
-
\$10,422

**V2K7AXM13**

with V913-A 12"  
easyclean shower head

\$7,968
\$8,758
\$9,152
\$9,152
\$9,942
\$10,754
\$11,254

See overleaf for our crystal levers

# Fairfield Shower

**V2K7A** Exposed 1/2" thermostatic shower set

## Organic Crystal



**V2K7AXGC**  
*cross top and clear crystal lever*



**V2K7AXGB**  
*cross top and black crystal lever*

### Available finishes



**CP**  
chrome plate



**PN**  
polished nickel



**SN (US15)**  
satin nickel  
finish



**NL**  
non lacquered



**BG**  
brushed gold



**BGG**  
brushed gold gloss  
lacquered



**BGM**  
brushed gold matt  
lacquered



**CTB**  
city bronze



**CNB**  
country bronze



**AG**  
antique gold

# Fairfield Shower

## Geometric Crystal



**V2K7AXSC**  
cross top and clear crystal lever



**V2K7AXSB**  
cross top and black crystal lever

Change these letters  
for the handles you require

**V2K7AGC8**  
with V908 8"  
standard shower head

<b>CP</b>	\$7,344
<b>PN</b>	\$8,072
<b>SN(us15)/NL</b>	\$8,446
<b>BG</b>	\$8,446
<b>BGG/BGM</b>	-
<b>CTB/CNB</b>	-
<b>AG</b>	\$10,672

Change this number for  
the shower head you require (SEE PAGE 239-240)

**V2K7AGC9**  
with V909-A 8"  
easyclean shower head

\$7,406
\$8,134
\$8,550
\$8,966
\$9,256
\$10,338
\$10,796

**V2K7AGC12**  
with V912 12"  
standard shower head

\$8,050
\$8,840
\$9,236
\$9,236
-
-
\$11,358

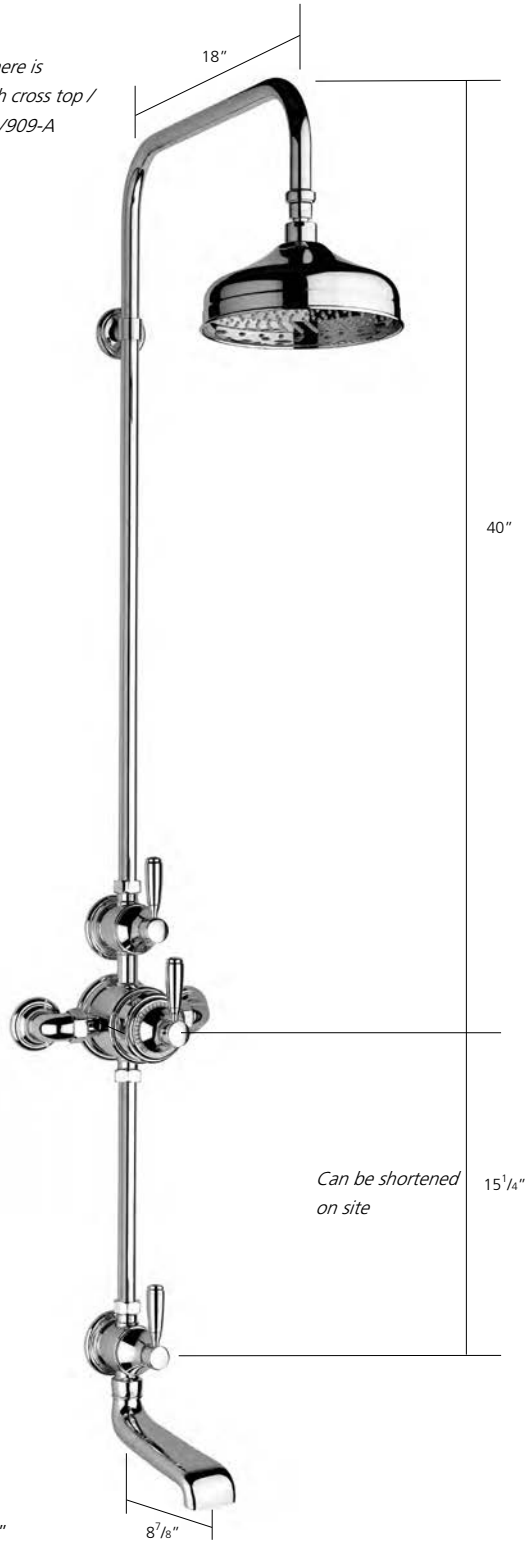
**V2K7AGC13**  
with V913-A 12"  
easyclean shower head

\$8,632
\$9,506
\$9,922
\$9,922
\$10,796
\$11,648
\$12,210

# Fairfield Shower

**V2K3A** Exposed 1/2" thermostatic shower set

Example shown here is V2K3AMM9 with cross top / metal lever and V909-A shower head



**V2K3AXM**



**V2K3AGBC**

**Feeds:** 1/2"

**Centers:** 8"

Height extensions are available, please contact our sales office  
V240 valve and V241 volume control: NSF approval pending



## Available finishes



**CP**  
chrome plate



**PN**  
polished nickel



**SN (US15)**  
satin nickel finish



**NL**  
non lacquered



**BG**  
brushed gold



**BGG**  
brushed gold gloss lacquered



**BGM**  
brushed gold matt lacquered



**CTB**  
city bronze



**CNB**  
country bronze



**AG**  
antique gold

# Fairfield Shower



V2K3ACC



V2K3AWW

Change these letters  
for the handles you require

Change this number for  
the shower head you require (SEE PAGE 239-240)

**V2K3AXM8**

with V908 8"  
standard shower head

**V2K3AXM9**

with V909-A 8"  
easyclean shower head

**V2K3AXM12**

with V912 12"  
standard shower head

**V2K3AXM13**

with V913-A 12"  
easyclean shower head

<b>CP</b>	\$8,800	\$8,862	\$9,506	\$10,088
<b>PN</b>	\$9,694	\$9,756	\$10,464	\$11,108
<b>SN(us15)/NL</b>	\$10,130	\$10,234	\$10,920	\$11,608
<b>BG</b>	\$10,130	\$10,630	\$10,920	\$11,608
<b>BGG/BGM</b>	-	\$10,684	-	\$12,626
<b>CTB/CNB</b>	-	\$12,314	-	\$13,624
<b>AG</b>	\$12,730	\$12,856	\$13,416	\$14,248

See overleaf for our crystal levers

# Fairfield Shower

V2K3A Exposed 1/2" thermostatic shower set

## Organic Crystal



V2K3AGC



V2K3AGB

### Available finishes



CP  
chrome plate



PN  
polished nickel



SN (US15)  
satin nickel  
finish



NL  
non lacquered



BG  
brushed gold



BGG  
brushed gold gloss  
lacquered



BGM  
brushed gold matt  
lacquered



CTB  
city bronze



CNB  
country bronze



AG  
antique gold

# Fairfield Shower

## Geometric Crystal



V2K3ASC



V2K3ASB

Change these letters  
for the handles you require

V2K3AGC8

with V908 8"  
standard shower head

Change this number for  
the shower head you require (SEE PAGE 239-240)

V2K3AGC9

with V909-A 8"  
easyclean shower head

V2K3AGC12

with V912 12"  
standard shower head

V2K3AGC13

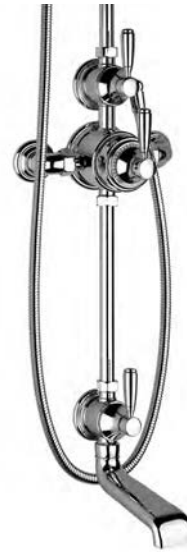
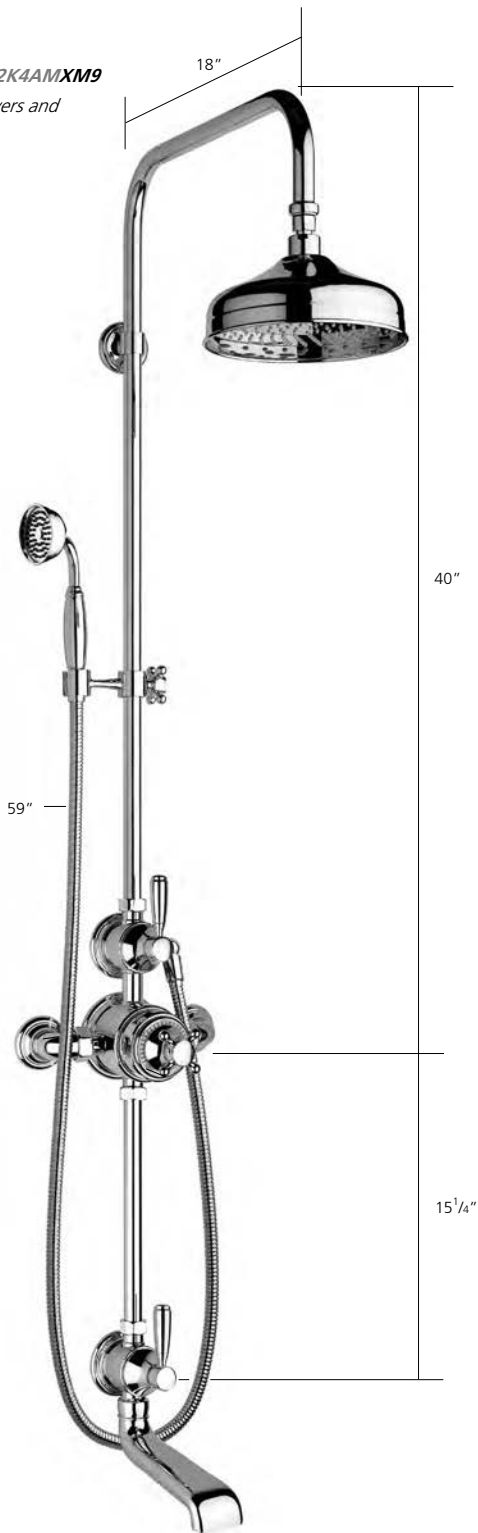
with V913-A 12"  
easyclean shower head

CP	\$9,818	\$9,880	\$10,504	\$11,108
PN	\$10,796	\$10,858	\$11,566	\$12,232
SN(us15)/NL	\$11,296	\$11,400	\$12,086	\$12,772
BG	\$11,296	\$11,816	\$12,086	\$12,772
BGG/BGM	-	\$12,356	-	\$13,874
CTB/CNB	-	\$13,688	-	\$14,998
AG	\$14,166	\$14,290	\$14,852	\$15,684

# Fairfield Shower

**V2K4A** Exposed 1/2" thermostatic shower set

Example shown here is **V2K4AMXM9**  
with cross top / metal levers and  
V909-A shower head



**V2K4AMM**  
metal levers



**V2K4AGBC**  
gloss black chrome levers

Feeds: 1/2"

Centers: 8"

Height extensions are available, please contact our sales office  
V240 valve and V241 volume control: NSF approval pending



## Available finishes



**CP**  
chrome plate



**PN**  
polished nickel



**SN (US15)**  
satin nickel  
finish



**NL**  
non lacquered



**BG**  
brushed gold



**BGG**  
brushed gold gloss  
lacquered



**BGM**  
brushed gold matt  
lacquered



**CTB**  
city bronze

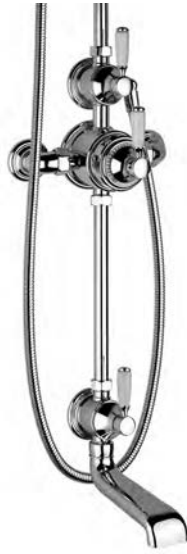


**CNB**  
country bronze

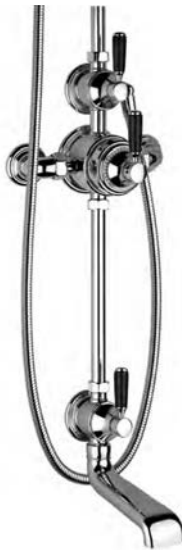


**AG**  
antique gold

# Fairfield Shower



**V2K4ACC**  
*ceramic levers*



**V2K4AWW**  
*wooden levers*

Change these letters  
for the handles you require

**V2K4AXM8**  
with V908 8"  
standard shower head

<b>CP</b>	\$10,152
<b>PN</b>	\$11,212
<b>SN(US15)/NL</b>	\$11,898
<b>BG</b>	\$12,294
<b>BGG/BGM</b>	-
<b>CTB/CNB</b>	-
<b>AG</b>	\$14,852

Change this number for  
the shower head you require (SEE PAGE 239-240)

**V2K4AXM9**  
with V909-A 8"  
easyclean shower head

\$10,276
\$11,316
\$12,044
\$12,460
\$12,834
\$14,728
\$14,998

**V2K4AXM12**  
with V912 12"  
standard shower head

\$10,838
\$11,960
\$12,688
\$12,688
-
-
\$15,538

**V2K4AXM13**  
with V913-A 12"  
easyclean shower head

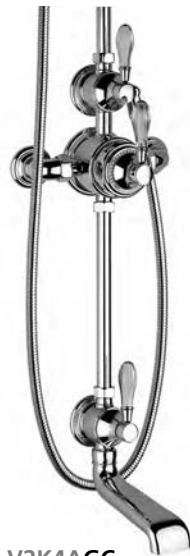
\$11,504
\$12,668
\$13,416
\$13,416
\$14,394
\$16,038
\$16,412

See overleaf for our crystal levers

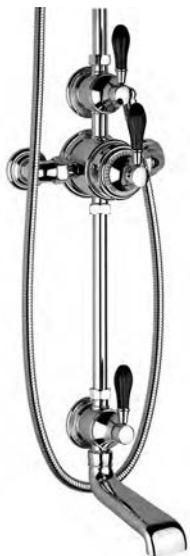
# Fairfield Shower

**V2K4A** Exposed 1/2" thermostatic shower set

## Organic Crystal



**V2K4AGC**  
*clear crystal levers*



**V2K4AGB**  
*black crystal levers*

### Available finishes



**CP**  
chrome plate



**PN**  
polished nickel



**SN (US15)**  
satin nickel finish



**NL**  
non lacquered



**BG**  
brushed gold



**BGG**  
brushed gold gloss lacquered



**BGM**  
brushed gold matt lacquered



**CTB**  
city bronze

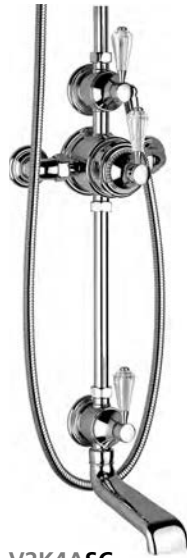


**CNB**  
country bronze

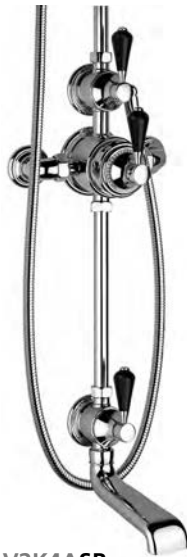


**AG**  
antique gold

*Geometric Crystal*



**V2K4ASC**  
clear crystal levers



**V2K4ASB**  
black crystal levers

Change these letters  
for the handles you require

Change this number for  
the shower head you require (SEE PAGE 239-240)

**V2K4AGC8**

with V908 8"  
standard shower head

**V2K4AGC9**

with V909-A 8"  
easyclean shower head

**V2K4AGC12**

with V912 12"  
standard shower head

**V2K4AGC13**

with V913-A 12"  
easyclean shower head

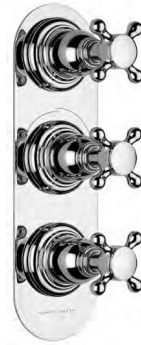
<b>CP</b>	\$11,170	\$11,296	\$11,856	\$12,544
<b>PN</b>	\$12,336	\$12,440	\$13,104	\$13,792
<b>SN(us15)/NL</b>	\$13,084	\$13,230	\$13,874	\$14,602
<b>BG</b>	\$13,480	\$13,646	\$13,874	\$14,602
<b>BGG/BGM</b>	-	\$14,124	-	\$15,662
<b>CTB/CNB</b>	-	\$16,120	-	\$17,410
<b>AG</b>	\$16,288	\$16,454	\$16,994	\$17,868

# Fairfield Shower

**V2B1A** Concealed thermostatic shower, 2 volume controls

Example shown here is **V2B1AXM9** with cross top / metal levers and V909-A shower head.

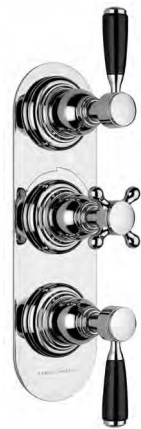
Requires V135-AIS concealed valve



**V2B1AXX**  
cross tops



**V2B1AXC**  
cross top and ceramic levers



**V2B1AXGBC**  
cross top and gloss black chrome levers



**V2B1AXW**  
cross top and wooden levers

Mass. Code Approved



Change these letters for the handles you require

Change this number for the shower head you require (SEE PAGE 239-240)

**V2B1AXM8**

with V908 8" standard shower head

<b>CP</b>	\$5,804
<b>PN</b>	\$6,408
<b>SN(US15)/NL</b>	\$6,906
<b>BG</b>	\$7,302
<b>BGG/BGM</b>	-
<b>CTB/CNB</b>	-
<b>AG</b>	\$8,696

**V2B1AXM9**

with V909 8" easyclean shower head

\$5,928
\$6,532
\$7,052
\$7,448
\$7,406
\$8,840
\$8,862

**V2B1AXM12**

with V912 12" standard shower head

\$6,490
\$7,198
\$7,696
\$7,696
-
-
\$9,382

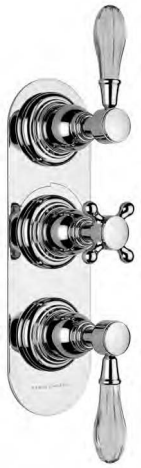
**V2B1AXM13**

with V913 12" easyclean shower head

\$7,156
\$7,884
\$8,424
\$8,424
\$8,944
\$10,152
\$10,256

# Fairfield Shower

## Organic Crystal



**V2B1AXGC**  
cross top and clear crystal levers



**V2B1AXGB**  
cross top and black crystal levers



**V2B1AXSC**  
cross top and clear crystal levers



**V2B1AXSB**  
cross top and black crystal levers

### Available finishes



**CP**  
chrome plate

**PN**  
polished nickel

**SN (US15)**  
satin nickel finish

**NL**  
non lacquered

**BG**  
brushed gold

**BGG**  
brushed gold gloss lacquered

**BGM**  
brushed gold matt lacquered

**CTB**  
city bronze

**CNB**  
country bronze

**AG**  
antique gold

Change these letters for the handles you require

Change this number for the shower head you require (SEE PAGE 239-240)

### V2B1AXGC8

with V908 8" standard shower head

<b>CP</b>	\$6,552
<b>PN</b>	\$7,260
<b>SN(US15)/NL</b>	\$7,760
<b>BG</b>	-
<b>BGG/BGM</b>	-
<b>CTB/CNB</b>	-
<b>AG</b>	\$9,776

### V2B1AXGC9

with V909-A 8" easyclean shower head

<b>CP</b>	\$6,678
<b>PN</b>	\$7,364
<b>SN(US15)/NL</b>	\$7,926
<b>BG</b>	\$7,926
<b>BGG/BGM</b>	\$8,966
<b>CTB/CNB</b>	\$9,880
<b>AG</b>	\$9,922

### V2B1AXGC12

with V912 12" standard shower head

<b>CP</b>	\$7,240
<b>PN</b>	\$8,030
<b>SN(US15)/NL</b>	\$8,570
<b>BG</b>	-
<b>BGG/BGM</b>	-
<b>CTB/CNB</b>	-
<b>AG</b>	\$10,464

### V2B1AXGC13

with V913-A 12" easyclean shower head

<b>CP</b>	\$7,926
<b>PN</b>	\$8,716
<b>SN(US15)/NL</b>	\$9,278
<b>BG</b>	\$9,278
<b>BGG/BGM</b>	\$10,026
<b>CTB/CNB</b>	\$11,192
<b>AG</b>	\$11,336

### V135-AIS Concealed thermostatic valve - rough

Requires V2B1A. This valve has 2 controlled outlets

**Feeds:** 1/2" NPT

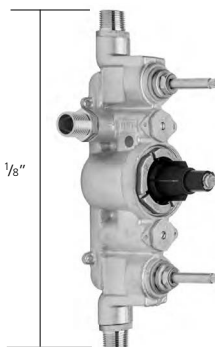
**Fitting depth:** Min 2 7/8" - Max 3 5/16" with V202-T

Extension kits are available, please see page 307 for pricing.

Mass. Code Approved



11 1/8"



2 VOLUME CONTROLS

XX

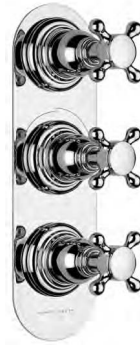
\$1,498

# Fairfield Shower

**V2B2A** Concealed thermostatic shower, 2 volume controls

Example shown here is **V2B2AXM9** with cross top / metal levers and V909-A shower head.

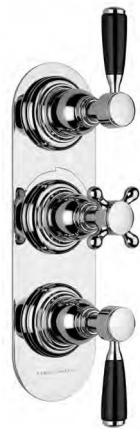
Requires V135-AIS concealed valve



**V2B2AXX**  
cross tops



**V2B2AXC**  
cross top and ceramic levers



**V2B2AXGBC**  
cross top and gloss black chrome levers



**V2B2AXW**  
cross top and wooden levers

Mass. Code Approved



Change these letters for the handles you require

Change this number for the shower head you require (SEE PAGE 239-240)

**V2B2AXM8**

with V908 8" standard shower head

<b>CP</b>	\$4,826
<b>PN</b>	\$5,346
<b>SN(US15)/NL</b>	\$5,784
<b>BG</b>	\$6,178
<b>BGG/BGM</b>	-
<b>CTB/CNB</b>	-
<b>AG</b>	\$7,322

**V2B2AXM9**

with V909 8" easyclean shower head

\$4,952
\$5,450
\$5,928
\$6,324
\$6,198
\$7,530
\$7,468

**V2B2AXM12**

with V912 12" standard shower head

\$5,512
\$6,116
\$6,574
\$6,574
-
-
\$8,008

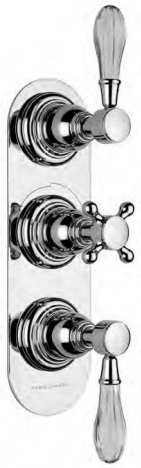
**V2B2AXM13**

with V913 12" easyclean shower head

\$6,178
\$6,824
\$7,302
\$7,302
\$7,718
\$8,840
\$8,882

# Fairfield Shower

## Organic Crystal



**V2B2AXGC**  
cross top and clear crystal levers



**V2B2AXGB**  
cross top and black crystal levers



**V2B2AXSC**  
cross top and clear crystal levers



**V2B2AXSB**  
cross top and black crystal levers

### Available finishes



**CP**  
chrome plate

**PN**  
polished nickel

**SN (US15)**  
satin nickel finish

**NL**  
non lacquered

**BG**  
brushed gold

**BGG**  
brushed gold gloss lacquered

**BGM**  
brushed gold matt lacquered

**CTB**  
city bronze

**CNB**  
country bronze

**AG**  
antique gold

Change these letters for the handles you require

Change this number for the shower head you require (SEE PAGE 239-240)

### V2B2AXGC8

with V908 8" standard shower head

<b>CP</b>	\$5,576
<b>PN</b>	\$6,178
<b>SN(US15)/NL</b>	\$6,656
<b>BG</b>	\$7,052
<b>BGG/BGM</b>	-
<b>CTB/CNB</b>	-
<b>AG</b>	\$8,384

### V2B2AXGC9

with V909-A 8" easyclean shower head

\$5,700
\$6,282
\$6,802
\$7,218
\$7,134
\$8,550
\$8,550

### V2B2AXGC12

with V912 12" standard shower head

\$6,262
\$6,948
\$7,448
\$7,448
-
-
\$9,090

### V2B2AXGC13

with V913-A 12" easyclean shower head

\$6,948
\$7,656
\$8,176
\$8,176
\$8,694
\$9,860
\$9,964

### V135-AIS Concealed thermostatic valve - rough

Requires V2B2A. This valve has 2 controlled outlets

**Feeds:** 1/2" NPT

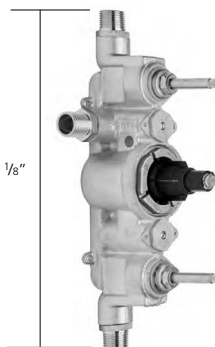
**Fitting depth:** Min 2 7/8" - Max 3 5/16" with V202-T

Extension kits are available, please see page 307 for pricing.

Mass. Code Approved



11 1/8"



2 VOLUME CONTROLS

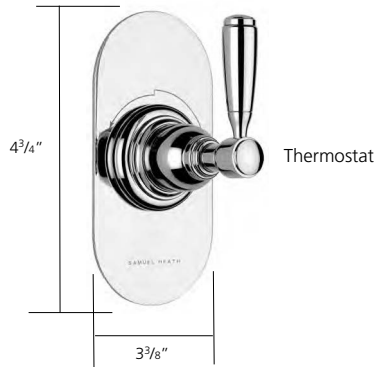
XX

\$1,498

# Fairfield Shower

## V200-T2 Trim set for V133-AIS thermostatic valve

Requires V133-AIS



**V200-T2C**  
ceramic lever



**V200-T2GBC**  
gloss black chrome lever



**V200-T2W**  
wooden lever



**V200-T2X**  
cross top

### V200-T2M

metal lever

**Projection:** Max 3 1/2"

**Options:** V207 Volume control

Mass. Code Approved



<b>CP</b>	\$1,248
<b>PN</b>	\$1,374
<b>SN(us15)/NL/BG</b>	\$1,436
<b>BGG/BGM</b>	\$1,560
<b>CTB/CNB</b>	\$1,686
<b>AG</b>	\$1,748

## Organic Crystal



**V200-T2GC**  
clear crystal lever



**V200-T2GB**  
black crystal lever

## Geometric Crystal



**V200-T2SC**  
clear crystal lever



**V200-T2SB**  
black crystal lever

<b>CP</b>	\$1,478
<b>PN</b>	\$1,624
<b>SN(us15)/NL/BG</b>	\$1,706
<b>BGG/BGM</b>	\$1,852
<b>CTB/CNB</b>	\$1,998
<b>AG</b>	\$2,080

### Available finishes



## V133-AIS 3/4" Concealed thermostatic valve - rough

Requires V200-T2. This valve has 2 open outlets. Use V207 for each

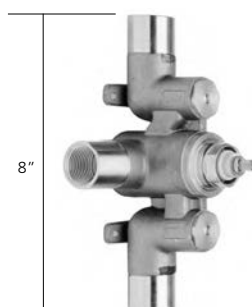
**Feeds:** 3/4" NPT

**Fitting depth:** Min 2 15/16" - Max 3 5/16" with V200-T2

Extension kits are available, please see page 307 for pricing.

Further outlets can be configured

Mass. Code Approved



**XX** \$922

# Fairfield Shower

**V207-T2** Trim set for V607-IS volume control  
*Requires V607-AIS*



**V207-T2M**  
*metal lever*



**V207-T2C**  
*ceramic lever*



**V207-T2GBC**  
*gloss black chrome lever*



**V207-T2W**  
*wooden lever*



**V207-T2X**  
*cross top*

**Projection:** Max 3<sup>5</sup>/<sub>8</sub>"

**Mass. Code Approved**



<b>CP</b>	\$644
<b>PN</b>	\$708
<b>SN(us15)/NL/BG</b>	\$742
<b>BGG/BGM</b>	\$806
<b>CTB/CNB</b>	\$880
<b>AG</b>	\$912

## Organic Crystal



**V207-T2GC**  
*clear crystal lever*



**V207-T2GB**  
*black crystal lever*

## Geometric Crystal



**V207-T2SC**  
*clear crystal lever*



**V207-T2SB**  
*black crystal lever*

<b>CP</b>	\$1,010
<b>PN</b>	\$1,124
<b>SN(us15)/NL/BG</b>	\$1,166
<b>BGG/BGM</b>	\$1,270
<b>CTB/CNB</b>	\$1,374
<b>AG</b>	\$1,436

### Available finishes



**CP**  
 chrome plate



**PN**  
 polished nickel



**SN (us15)**  
 satin nickel finish



**NL**  
 non lacquered



**BG**  
 brushed gold



**BGG**  
 brushed gold gloss lacquered



**BGM**  
 brushed gold matt lacquered



**CTB**  
 city bronze



**CNB**  
 country bronze



**AG**  
 antique gold

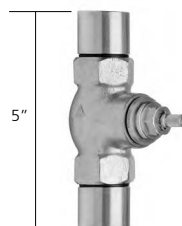
**V607-AIS** 3/4" Concealed volume control - rough  
*Requires V207-T*

**Feeds:** 3/4" NPT

**Fitting depth:** Min 1 1/4" - Max 2 1/16" with V207-T2  
 Extension kits are available, please see page 307 for pricing.

**CALGreen:** Compliant when used with our CALGreen shower heads or hand showers.

**Mass. Code Approved**

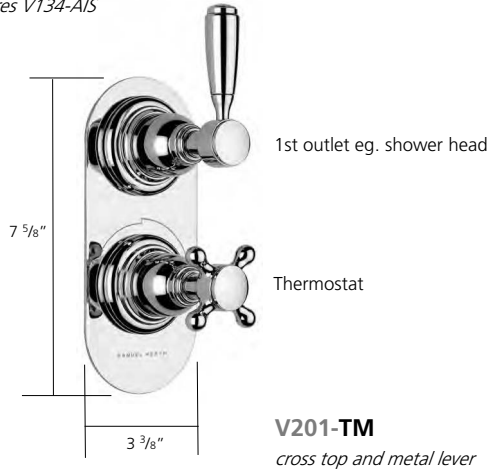


**XX** \$220

# Fairfield Shower

## V201-T Trim set for V134-AIS thermostatic valve

Requires V134-AIS



**V201-TM**  
cross top and metal lever



**V201-TC**  
cross top and ceramic lever



**V201-TGBC**  
cross top and gloss black chrome lever



**V201-TW**  
cross top and wooden lever



**V201-TX**  
cross tops

**Projection:** Max 3 1/2"

**Options:** V207 Volume control

Mass. Code Approved



*Organic Crystal*



**V201-TGC**  
cross top and clear crystal lever



**V201-TGB**  
cross top and black crystal lever

*Geometric Crystal*



**V201-TSC**  
cross top and clear crystal lever



**V201-TSB**  
cross top and black crystal lever

<b>CP</b>	\$1,852
<b>PN</b>	\$2,040
<b>SN(us15)/NL/BG</b>	\$2,122
<b>BGG/BGM</b>	\$2,330
<b>CTB/CNB</b>	\$2,496
<b>AG</b>	\$2,622

<b>CP</b>	\$2,206
<b>PN</b>	\$2,414
<b>SN(us15)/NL/BG</b>	\$2,518
<b>BGG/BGM</b>	\$2,746
<b>CTB/CNB</b>	\$2,954
<b>AG</b>	\$3,100

### Available finishes



## V134-AIS Concealed thermostatic valve - rough

Requires V201-T. This valve has 1 controlled outlet.

**Feeds:** 1/2" NPT

**Fitting depth:** Min 2 7/8" - Max 3 5/16" with V201-T  
Extension kits are available, please see page 307 for pricing.

**CALGreen:** Meets the required standard when used with our CALGreen shower heads or hand showers

Mass. Code Approved

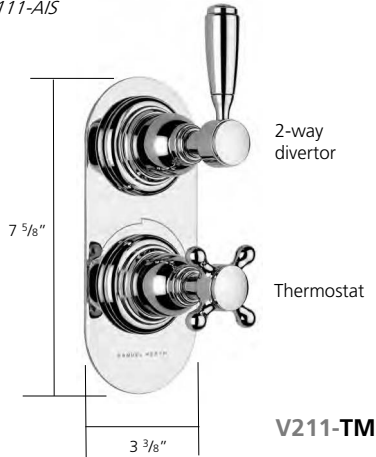


**XX** \$1,124

# Fairfield Shower

## V211-T Trim set for V111-AIS thermostatic valve

Requires V111-AIS



**V211-TC**  
cross top and ceramic lever



**V211-TGBC**  
cross top and gloss black chrome lever



**V211-TW**  
cross top and wooden lever



**V211-TX**  
cross tops

**Projection:** Max 3 1/2"  
**Options:** V207 Volume control

Mass. Code Approved



*Organic Crystal*



**V211-TGC**  
cross top and clear crystal lever



**V211-TGB**  
cross top and black crystal lever



**V211-TSC**  
cross top and clear crystal lever



**V211-TSB**  
cross top and black crystal lever

<b>CP</b>	\$1,852
<b>PN</b>	\$2,040
<b>SN(us15)/NL/BG</b>	\$2,122
<b>BGG/BGM</b>	\$2,330
<b>CTB/CNB</b>	\$2,496
<b>AG</b>	\$2,622

*Geometric Crystal*

<b>CP</b>	\$2,206
<b>PN</b>	\$2,414
<b>SN(us15)/NL/BG</b>	\$2,518
<b>BGG/BGM</b>	\$2,746
<b>CTB/CNB</b>	\$2,954
<b>AG</b>	\$3,100

### Available finishes



**CP**  
chrome plate



**PN**  
polished nickel



**SN (us15)**  
satin nickel finish



**NL**  
non lacquered



**BG**  
brushed gold



**BGG**  
brushed gold gloss lacquered



**BGM**  
brushed gold matt lacquered



**CTB**  
city bronze



**CNB**  
country bronze



**AG**  
antique gold

## V111-AIS Concealed thermostatic valve - rough

Requires V211-T. This valve has a 2-way divertor.

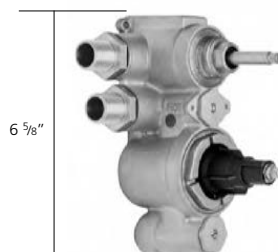
**Feeds:** 1/2" NPT

**Fitting depth:** Min 2 7/8" - Max 3 5/16" with V211-T

Extension kits are available, please see page 307 for pricing.

**CALGreen:** Compliant when used with our CALGreen shower heads or hand showers.

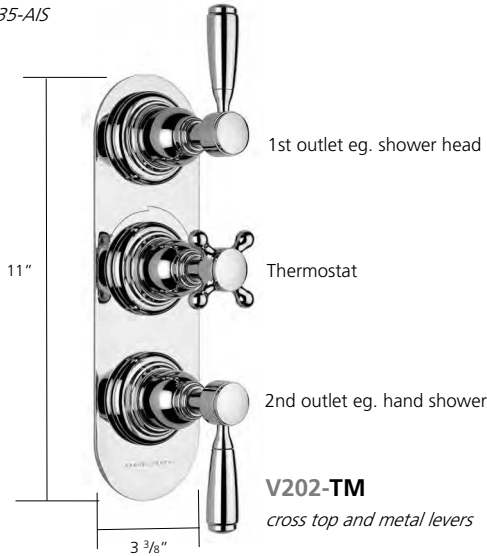
Mass. Code Approved



**XX** \$1,208

# Fairfield Shower

**V202-T** Trim set for V135-AIS thermostatic valve, 2 separate volume controls  
*Requires V135-AIS*



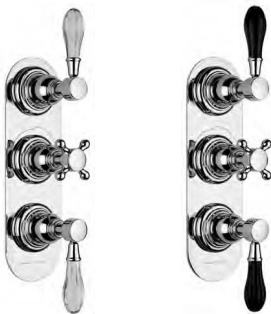
**V202-TM**  
*cross top and metal levers*

**Projection:** Max 3 1/2"  
**Options:** V207 Volume control

**Mass. Code Approved**



*Organic Crystal*



**V202-TGC** *cross top and clear crystal levers*  
**V202-TGB** *cross top and black crystal levers*



**V202-TC**  
*cross top and ceramic levers*



**V202-TGBC**  
*cross top and gloss black chrome levers*



**V202-TW**  
*cross top and wooden levers*



**V202-TX**  
*cross tops*

<b>CP</b>	\$2,288
<b>PN</b>	\$2,496
<b>SN(us15)/NL/BG</b>	\$2,622
<b>BGG/BGM</b>	\$2,850
<b>CTB/CNB</b>	\$3,080
<b>AG</b>	\$3,204

*Geometric Crystal*



**V202-TSC** *cross top and clear crystal levers*  
**V202-TSB** *cross top and black crystal levers*

<b>CP</b>	\$3,038
<b>PN</b>	\$3,350
<b>SN(us15)/NL/BG</b>	\$3,496
<b>BGG/BGM</b>	\$3,808
<b>CTB/CNB</b>	\$4,098
<b>AG</b>	\$4,286

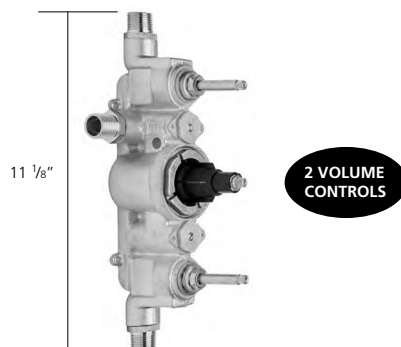
**Available finishes**



**V135-AIS** Concealed thermostatic valve - rough  
*Requires V202-T. This valve has 2 controlled outlets.*

**Feeds:** 1/2" NPT  
**Fitting depth:** Min 2 7/8" - Max 3 5/16" with V202-T  
 Extension kits are available, please see page 307 for pricing.

**Mass. Code Approved**

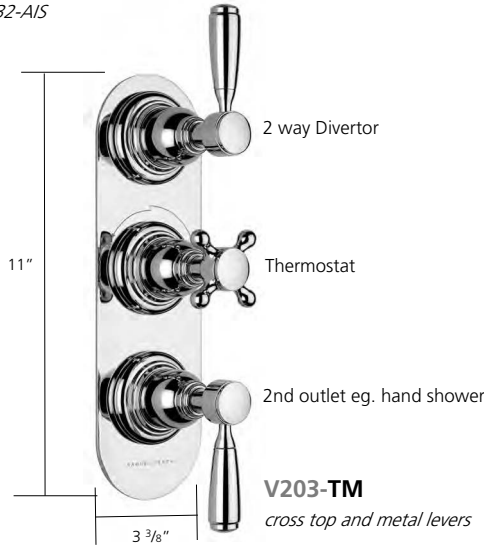


**XX** \$1,498

# Fairfield Shower

## V203-T Trim set for V132-AIS thermostatic valve, 2 way divertor with volume control

Requires V132-AIS



**Projection:** Max 3 1/2"  
**Options:** V207 Volume control

**Mass. Code Approved**



*Organic Crystal*



**V203-TGC**  
cross top and clear crystal levers

**V203-TGB**  
cross top and black crystal levers



**V203-TC**  
cross top and ceramic levers

**V203-TGBC**  
cross top and gloss black chrome levers

**V203-TW**  
cross top and wooden levers

**V203-TX**  
cross tops

<b>CP</b>	\$2,288
<b>PN</b>	\$2,496
<b>SN(us15)/NL/BG</b>	\$2,622
<b>BGG/BGM</b>	\$2,850
<b>CTB/CNB</b>	\$3,080
<b>AG</b>	\$3,204

*Geometric Crystal*



**V203-TSC**  
cross top and clear crystal levers

**V203-TSB**  
cross top and black crystal levers

<b>CP</b>	\$3,038
<b>PN</b>	\$3,350
<b>SN(us15)/NL/BG</b>	\$3,496
<b>BGG/BGM</b>	\$3,808
<b>CTB/CNB</b>	\$4,098
<b>AG</b>	\$4,286

### Available finishes

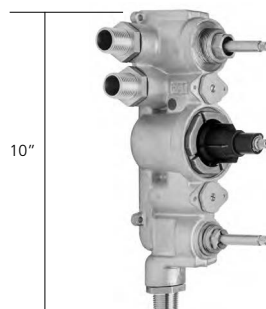


## V132-AIS Concealed thermostatic valve - rough

Requires V203-T. This valve has a two-way divertor plus an extra controlled outlet giving 3 options

**Feeds:** 3/4" NPT  
**Fitting depth:** Min 2 7/8" - Max 3 5/16" with V203-T  
Extension kits are available, please see page 307 for pricing.

**Mass. Code Approved**



1 DIVERTOR

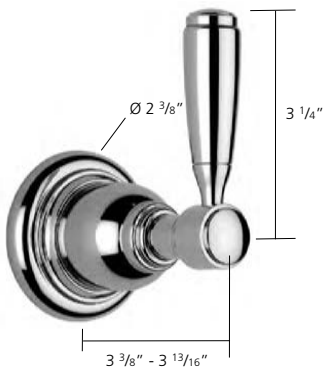
1 VOLUME CONTROL

<b>XX</b>	\$1,602
-----------	---------

# Fairfield Shower

## V268-T Trim set for V168-AIS concealed 3 way divertor

Requires V168-AIS



**V268-TM**  
metal lever

Mass. Code Approved



**V268-TC**  
ceramic lever



**V268-TGBC**  
gloss black chrome lever



**V268-TW**  
wooden lever



**V268-TX**  
cross top

<b>CP</b>	\$622
<b>PN</b>	\$688
<b>SN(us15)/NL/BG</b>	\$720
<b>BGG/BGM</b>	\$784
<b>CTB/CNB</b>	\$838
<b>AG</b>	\$880

### Organic Crystal



**V268-TGC**  
clear crystal lever



**V268-TGB**  
black crystal lever



**V268-TSC**  
clear crystal lever



**V268-TSB**  
black crystal lever

<b>CP</b>	\$902
<b>PN</b>	\$998
<b>SN(us15)/NL/BG</b>	\$1,040
<b>BGG/BGM</b>	\$1,144
<b>CTB/CNB</b>	\$1,228
<b>AG</b>	\$1,290

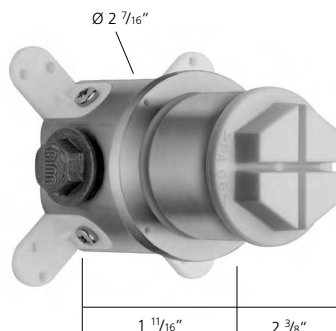
### Available finishes



## V168-AIS Concealed 3-way divertor rough

Requires V268-T

- One inlet, three outlets (one can be closed off)



**Inlet & outlets:** 1/2"

**Fitting depth:** Min 3 1/8" - Max 3 5/8"

**CALGreen:** Compliant when used with our CALGreen shower heads or hand showers. Can be used for deck mounting providing the unit is supported sufficiently.

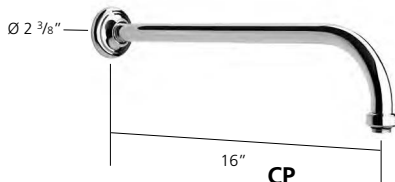
Mass. Code Approved



**XX** \$720

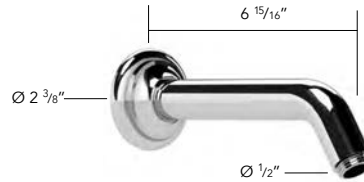
# Fairfield Shower

**V262-A** 1/2" Shower arm



<b>CP</b>	\$968
<b>PN</b>	\$1,050
<b>SN(us15)/NL/BG</b>	\$1,102
<b>BGG/BGM</b>	\$1,206
<b>CTB/CNB</b>	\$1,764
<b>AG</b>	\$1,394

**V279ARM-A** Arm and rose



Thread: 1/2" NPT



<b>CP</b>	\$530
<b>PN</b>	\$584
<b>SN(us15)/NL/BG</b>	\$610
<b>BGG/BGM</b>	\$662
<b>CTB/CNB</b>	\$716
<b>AG</b>	\$742

**V269-A** 1/2" Ceiling tube



<b>CP</b>	\$666
<b>PN</b>	\$742
<b>SN(us15)/NL/BG</b>	\$772
<b>BGG/BGM</b>	\$838
<b>CTB/CNB</b>	\$902
<b>AG</b>	\$946

**V904** 4" skirted shower head

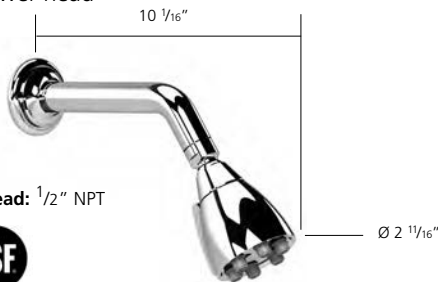


Min. 45 psi



<b>CP</b>	\$258
<b>PN</b>	\$280
<b>NL/BG</b>	\$298
<b>AG</b>	\$354

**V279-A, V279-B** Adjustable, 6-jet easy clean shower head



Thread: 1/2" NPT



**C.E.C. Approved**  
Mass. Code Approved



V279-B Higher flow rate (2.5gpm) also available (not Approved)

<b>CP</b>	\$976
<b>PN</b>	\$1,104
<b>SN(us15)/NL/BG</b>	\$1,144
<b>BGG/BGM</b>	\$1,228
<b>CTB/CNB</b>	\$1,374
<b>AG</b>	\$1,394

**V908** 8" skirted shower head



Min. 45 psi



<b>CP</b>	\$442
<b>PN</b>	\$494
<b>SN(us15)/NL/BG</b>	\$516
<b>BGG/BGM</b>	\$902
<b>CTB/CNB</b>	\$902
<b>AG</b>	\$902

**V279-8A, V279-8B** Adjustable, 8-jet easy clean shower head



Thread: 1/2"



V279-8B Higher flow rate (2.5gpm) also available (not Approved)

<b>CP</b>	\$1,020
<b>PN</b>	\$1,144
<b>SN(us15)/NL/BG</b>	\$1,186
<b>BGG/BGM</b>	\$1,290
<b>CTB/CNB</b>	\$1,436
<b>AG</b>	\$1,456

**V909-A, V909-B** 8" skirted shower head (easy clean nozzles)



**C.E.C. Approved**  
Mass. Code Approved

**water saving** Flow < 1.8 gpm  
Min. 45 psi

V909-B Higher flow rate (2.5gpm) also available (not Approved)

<b>CP</b>	\$494
<b>PN</b>	\$538
<b>SN(us15)/NL</b>	\$622
<b>BG</b>	\$1,010
<b>BGG/BGM</b>	\$1,010
<b>CTB/CNB</b>	\$1,010
<b>AG</b>	\$1,010

**V912** 12" skirted shower head



Some nozzles may not give full flow due to the strict limitations of flow required by C.E.C.



<b>CP</b>	\$1,144
<b>PN</b>	\$1,248
<b>SN(us15)/NL/BG</b>	\$1,312
<b>BGG/BGM</b>	\$1,602
<b>CTB/CNB</b>	\$1,602
<b>AG</b>	\$1,602

# Fairfield Shower

## V913-A 12" skirted shower head (easy clean nozzles)

Some nozzles may not give full flow due to the strict limitations of flow required by C.E.C.



<b>CP</b>	\$1,748
<b>PN</b>	\$1,894
<b>SN(us15)/NL/BG</b>	\$1,998
<b>BGG/BGM</b>	\$2,184
<b>CTB/CNB</b>	\$2,330
<b>AG</b>	\$2,434

## V178-A, V178-B 8" Easy clean shower head



Thread: 1/2"



Flow < 1.8 gpm  
Min. 45 psi

V178-B Higher flow rate (2.5gpm) also available (not Approved)

**C.E.C. Approved**  
**Mass. Code Approved**

<b>CP</b>	\$494
<b>PN</b>	\$602
<b>SN(us15)/NL/BG</b>	\$732
<b>BGG/BGM</b>	\$1,010
<b>CTB/CNB</b>	\$1,010
<b>AG</b>	\$1,010

## V163 8" shower head

For swivel ball joint order V987 on pages 80 or 126.



Min. 45 psi

<b>CP</b>	\$762
<b>PN</b>	\$838
<b>NL</b>	\$880

## V663-A, V663-B 8" easy clean shower head

For swivel ball joint order V987 on pages 80 or 126.



Flow < 1.8 gpm  
Min. 45 psi

V663-B Higher flow rate (2.5gpm) also available (not Approved)



**Mass. Code Approved**  
**C.E.C. Approved**

<b>CP</b>	\$838
<b>PN</b>	\$946
<b>SN(us15)/NL/BG</b>	\$1,144
<b>BGG/BGM</b>	\$1,144
<b>CTB/CNB</b>	\$1,144
<b>AG</b>	\$1,208

## V665-A, V665-B 12" Easy clean shower head

For swivel ball joint order V987 on pages 80 or 126.

Due to its weight this product is best used with a ceiling tube.

If used with exposed pipework additional support brackets will be required.



Some nozzles may not give full flow due to the strict limitations of flow required by C.E.C.



Flow < 1.8 gpm

V665-B Higher flow rate (2.5gpm) also available (not Approved)



**C.E.C. Approved**  
**Mass. Code Approved**

<b>CP</b>	\$1,582
<b>PN</b>	\$1,748
<b>SN(us15)/NL/BG</b>	\$1,790
<b>BGG/BGM</b>	\$1,956
<b>CTB/CNB</b>	\$2,102
<b>AG</b>	\$2,226

## V188 8" easy clean shower head



Min. 45 psi

<b>CP</b>	\$1,010
<b>PN</b>	\$1,124
<b>SN(us15)/NL</b>	\$1,166
<b>AG</b>	\$1,416

## V189 12" easy clean shower head

Due to its weight this product is best used with a ceiling tube.

If used with exposed pipework additional support brackets will be required.



Some nozzles may not give full flow due to the strict limitations of flow required by C.E.C.



<b>CP</b>	\$1,478
<b>PN</b>	\$1,624
<b>SN(us15)/NL</b>	\$1,706
<b>AG</b>	\$2,060

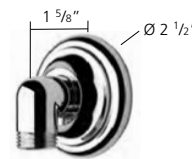
## V266-A Combined wall outlet / bracket



Feed: 1/2"

<b>CP</b>	\$280
<b>PN</b>	\$302
<b>SN(us15)/NL/BG</b>	\$312
<b>BGG/BGM</b>	\$334
<b>CTB/CNB</b>	\$368
<b>AG</b>	\$408

## V264-A Wall outlet



Feed: 1/2"

<b>CP</b>	\$300
<b>PN</b>	\$344
<b>SN(us15)/NL/BG</b>	\$354
<b>BGG/BGM</b>	\$380
<b>CTB/CNB</b>	\$408
<b>AG</b>	\$428

## V283 Angle bush



Feed: 1/2"

<b>CP</b>	\$250
<b>PN</b>	\$278
<b>SN(us15)/NL/BG</b>	\$290
<b>BGG/BGM</b>	\$312
<b>CTB/CNB</b>	\$338
<b>AG</b>	\$344

## V280 Tub boss for hand shower



<b>CP</b>	\$280
<b>PN</b>	\$312
<b>SN(us15)/NL/BG</b>	\$324
<b>BGG/BGM</b>	\$354
<b>CTB/CNB</b>	\$378
<b>AG</b>	\$398

# Fairfield Shower

## V267 Wall bracket



<b>CP</b>	\$374
<b>PN</b>	\$406
<b>SN(us15)/NL/BG</b>	\$426
<b>BGG/BGM</b>	\$448
<b>CTB/CNB</b>	\$478
<b>AG</b>	\$520

## V270A-M, C or W Slider rail kit



Kit includes:

- V270
- V264
- V941
- V255

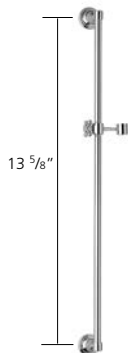
Feed: 1/2"

Flow < 1.8 gpm



<b>CP</b>	\$2,164
<b>PN</b>	\$2,392
<b>SN(us15)/NL/BG</b>	\$2,496
<b>BGG/BGM</b>	\$2,704
<b>CTB/CNB</b>	\$2,934
<b>AG</b>	\$3,058

## V270 Slider rail



<b>CP</b>	\$1,312
<b>PN</b>	\$1,456
<b>SN(us15)/NL/BG</b>	\$1,520
<b>BGG/BGM</b>	\$1,644
<b>CTB/CNB</b>	\$1,768
<b>AG</b>	\$1,872

## V28.. Optional indices



**Bodyjet**  
**V281** for crosstop  
**V282** for lever (exposed)  
**V275** for lever (concealed)



**Hand shower**  
**V285** for crosstop  
**V288** for lever (exposed)  
**V273** for lever (concealed)



**Tub**  
**V286** for crosstop  
**V289** for lever (exposed)  
**V274** for lever (concealed)

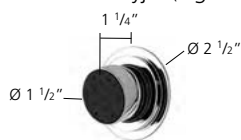


**Shower head**  
**V284** for crosstop  
**V287** for lever (exposed)  
**V272** for lever (concealed)

Flow controls are provided with plain indices (caps) as standard. These optional indices add individuality to your shower design.

<b>CP</b>	\$82
<b>PN</b>	\$90
<b>SN(us15)/NL/BG</b>	\$94
<b>BGG/BGM</b>	\$102
<b>CTB/CNB</b>	\$112
<b>AG</b>	\$110

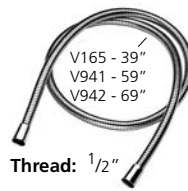
## V276-A Bodyjet (high flow)



Feed: 1/2"

<b>CP</b>	\$592
<b>PN</b>	\$688
<b>SN(us15)/NL/BG</b>	\$688
<b>BGG/BGM</b>	\$742
<b>CTB/CNB</b>	\$858
<b>AG</b>	\$838

## V165, V941, V942 Hoses



Thread: 1/2"

**CP**  
**PN**  
**SN(us15)/NL/BG**  
**BGG/BGM**  
**CTB/CNB**  
**AG**

<b>V165</b>	<b>V941</b>	<b>V942</b>
\$134	\$134	\$152
\$152	\$152	\$170
\$224	\$224	\$238
\$280	\$280	\$292
\$484	\$484	\$494
\$312	\$312	\$324

## V254-A Easy clean hand shower



Thread: 1/2"

Flow < 1.8 gpm



C US

**C.E.C. Approved**  
**Mass. Code Approved**

**V254-AC**      **V254-AM**

<b>CP</b>	\$490
<b>PN</b>	\$538
<b>SN(us15)/NL/BG</b>	\$676
<b>BGG/BGM</b>	\$698
<b>CTB/CNB</b>	\$848
<b>AG</b>	\$720

## V255 Hand shower



Thread: 1/2"



**V255-C**      **V255-M**

<b>CP</b>	\$414
<b>PN</b>	\$494
<b>SN(us15)/NL/BG</b>	\$634
<b>BGG/BGM</b>	\$666
<b>CTB/CNB</b>	\$806
<b>AG</b>	\$676

## V256 Hand shower

Not for use on slider rails



Thread: 1/2"

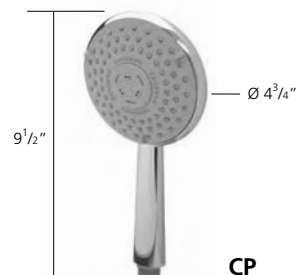


**V256-C**      **V256-M**

<b>CP</b>	\$452
<b>PN</b>	\$538
<b>SN(us15)/NL/BG</b>	\$676
<b>BGG/BGM</b>	\$708
<b>CTB/CNB</b>	\$848
<b>AG</b>	\$732

## V199 3 function easy clean hand shower

Not suitable for use with V283



Thread: 1/2"



<b>CP</b>	\$388
-----------	-------

# Fairfield Lavatory

**V2KA09** Single lever lavatory mixer with pop-up waste



**V2KA09M**  
metal lever



**V2KA09C**  
ceramic lever



**V2KA09GBC**  
gloss black chrome lever



**V2KA09W**  
wooden lever

**Feeds:** 1/2" x 18 7/8" flexi hoses

**Max deck thickness:** 1 1/2"

**Max drill hole Ø:** 1 1/2"



Flow < 1.2 gpm

For low lead option order V209-ALL



**Mass. Code Approved** V209-ALL

**C.E.C. Approved**

<b>CP</b>	\$2,496
<b>PN</b>	\$2,746
<b>SN(us15)/NL/BG</b>	\$3,864
<b>BGG/BGM</b>	\$3,142
<b>CTB/CNB</b>	\$3,390
<b>AG</b>	\$3,494

## Organic Crystal



**V2KA09GC**  
clear crystal lever



**V2KA09GB**  
black crystal lever

## Geometric Crystal



**V2KA09SC**  
clear crystal lever



**V2KA09SB**  
black crystal lever

<b>CP</b>	\$2,808
<b>PN</b>	\$3,120
<b>SN(us15)/NL/BG</b>	\$3,246
<b>BGG/BGM</b>	\$3,536
<b>CTB/CNB</b>	\$3,848
<b>AG</b>	\$3,974

### Available finishes



**CP**  
chrome plate



**PN**  
polished nickel



**SN (us15)**  
satin nickel  
finish



**NL**  
non lacquered



**BG**  
brushed gold



**BGG**  
brushed gold gloss  
lacquered



**BGM**  
brushed gold matt  
lacquered



**CTB**  
city bronze



**CNB**  
country bronze



**AG**  
antique gold

# Fairfield Lavatory

## V2KA14, V2KA15 3 hole lavatory mixer with pop-up waste

V2KA15 with extended spout



**V2KA14M**  
metal levers

**Feeds:** 1/2"

**Max deck thickness:** 2 1/8"

**Max drill hole Ø:** 1 3/8"



Flow < 1.2 gpm



Mass. Code Approved (V2KALL14 & V2KALL15)

C.E.C. Approved

Without pop-up waste: order eg. V2KA14MNP



**V2KA14C**  
ceramic levers

**V2KA14GBC**  
gloss black  
chrome levers

**V2KA14W**  
wooden levers

**V2KA14X**  
cross tops

	V2KA14 With PUW	V2KA14 No PUW	V2KA15 With PUW	V2KA15 No PUW
CP	\$2,622	\$2,602	\$2,830	\$2,810
PN	\$2,892	\$2,852	\$3,120	\$3,080
SN(us15)/NL/BG	\$3,016	\$2,976	\$3,266	\$3,226
BGG/BGM	\$3,142	\$3,102	\$3,538	\$3,498
CTB/CNB	\$3,536	\$3,496	\$3,828	\$3,788
AG	\$3,786	\$3,746	\$4,098	\$4,058

## Organic Crystal



**V2KA14GC**  
clear crystal levers



**V2KA14GB**  
black crystal levers



**V2KA14SC**  
clear crystal levers



**V2KA14SB**  
black crystal levers

	V2KA14 With PUW	V2KA14 No PUW	V2KA15 With PUW	V2KA15 No PUW
CP	\$3,184	\$3,164	\$3,412	\$3,392
PN	\$3,516	\$3,476	\$3,744	\$3,704
SN(us15)/NL/BG	\$3,682	\$3,642	\$3,912	\$3,872
BGG/BGM	\$4,306	\$4,266	\$4,436	\$4,396
CTB/CNB	\$4,328	\$4,288	\$4,598	\$4,558
AG	\$4,598	\$4,558	\$4,910	\$4,870

## Available finishes



CP  
chrome plate



PN  
polished nickel



SN (us15)  
satin nickel  
finish



NL  
non lacquered



BG  
brushed gold



BGG  
brushed gold gloss  
lacquered



BGM  
brushed gold matt  
lacquered



CTB  
city bronze



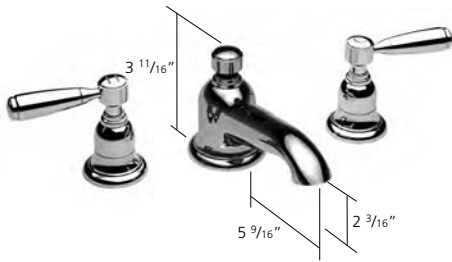
CNB  
country bronze



AG  
antique gold

# Fairfield Lavatory

**V2KA11** 3 hole lavatory mixer with pop-up waste



**V2KA11M**  
metal levers

**Feeds:** 1/2"  
**Max deck thickness:** 2 1/8"  
**Max drill hole Ø:** 1 3/8"



Mass. Code Approved

Without pop-up waste: order eg. V2KA11MNP



**V2KA11C**  
ceramic levers



**V2KA11GBC**  
gloss black  
chrome levers



**V2KA11W**  
wooden levers



**V2KA11X**  
cross tops

	With PUW	No PUW
<b>CP</b>	\$2,664	\$2,456
<b>PN</b>	\$2,934	\$2,684
<b>SN<sub>(US15)</sub>/NL/BG</b>	\$3,080	\$2,808
<b>BGG/BGM</b>	\$3,350	\$3,058
<b>CTB/CNB</b>	\$3,600	\$3,308
<b>AG</b>	\$3,744	\$3,432

## Organic Crystal



**V2KA11GC**  
clear crystal levers



**V2KA11GB**  
black crystal levers



**V2KA11SC**  
clear crystal levers



**V2KA11SB**  
black crystal levers

	With PUW	No PUW
<b>CP</b>	\$3,266	\$3,038
<b>PN</b>	\$3,578	\$3,328
<b>SN<sub>(US15)</sub>/NL/BG</b>	\$3,744	\$3,474
<b>BGG/BGM</b>	\$4,056	\$3,786
<b>CTB/CNB</b>	\$4,390	\$4,098
<b>AG</b>	\$4,556	\$4,244

## Available finishes



**CP**  
chrome plate



**PN**  
polished nickel



**SN (US15)**  
satin nickel  
finish



**NL**  
non lacquered



**BG**  
brushed gold



**BGG**  
brushed gold gloss  
lacquered



**BGM**  
brushed gold matt  
lacquered



**CTB**  
city bronze



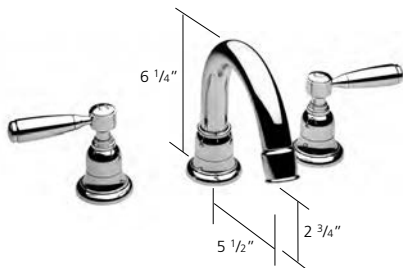
**CNB**  
country bronze



**AG**  
antique gold

# Fairfield Lavatory

**V2KA16** 3 hole lavatory mixer with pop-up waste



**V2KA16M**  
metal levers

**Feeds:** 1/2"  
**Max deck thickness:** 2 1/8"  
**Max drill hole Ø:** 1 3/8"



Flow < 1.2 gpm



Mass. Code Approved (V216-ALL)  
C.E.C. Approved

Without pop-up waste: order eg. V2KA16MNP



**V2KA16C**  
ceramic levers



**V2KA16GBC**  
glass black  
chrome levers



**V2KA16W**  
wooden levers



**V2KA16X**  
cross tops

	With PUW	No PUW
<b>CP</b>	\$2,622	\$2,602
<b>PN</b>	\$2,892	\$2,852
<b>SN<sub>(US15)</sub>/NL/BG</b>	\$3,016	\$2,976
<b>BGG/BGM</b>	\$3,142	\$3,102
<b>CTB/CNB</b>	\$3,536	\$3,496
<b>AG</b>	\$3,786	\$3,746

## Organic Crystal



**V2KA16GC**  
clear crystal levers



**V2KA16GB**  
black crystal levers



**V2KA16SC**  
clear crystal levers



**V2KA16SB**  
black crystal levers

	With PUW	No PUW
<b>CP</b>	\$3,184	\$3,164
<b>PN</b>	\$3,516	\$3,476
<b>SN<sub>(US15)</sub>/NL/BG</b>	\$3,682	\$3,642
<b>BGG/BGM</b>	\$4,306	\$4,266
<b>CTB/CNB</b>	\$4,328	\$4,288
<b>AG</b>	\$4,598	\$4,558

## Available finishes



**CP**  
chrome plate



**PN**  
polished nickel



**SN (US15)**  
satin nickel  
finish



**NL**  
non lacquered



**BG**  
brushed gold



**BGG**  
brushed gold gloss  
lacquered



**BGM**  
brushed gold matt  
lacquered



**CTB**  
city bronze



**CNB**  
country bronze

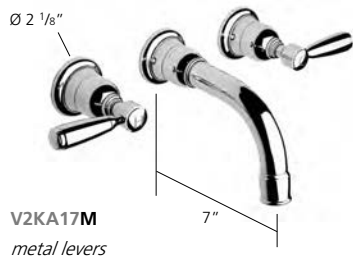


**AG**  
antique gold



# Fairfield Lavatory

**V2KA17** Wall mounted lavatory mixer, trim set  
requires V118-AIS



**V2KA17M**  
metal levers



**V2KA17C**  
ceramic levers



**V2KA17GBC**  
gloss black  
chrome levers



**V2KA17W**  
wooden levers



**V2KA17X**  
cross tops



Flow < 1.2 gpm

Mass. Code Approved  
C.E.C. Approved

<b>CP</b>	\$2,206
<b>PN</b>	\$2,434
<b>SN(us15)/NL/BG</b>	\$2,538
<b>BGG/BGM</b>	\$2,766
<b>CTB/CNB</b>	\$3,016
<b>AG</b>	\$3,120

## Organic Crystal



**V2KA17GC**  
clear crystal levers



**V2KA17GB**  
black crystal levers



**V2KA17SC**  
clear crystal levers



**V2KA17SB**  
black crystal levers

<b>CP</b>	\$2,850
<b>PN</b>	\$3,120
<b>SN(us15)/NL/BG</b>	\$3,246
<b>BGG/BGM</b>	\$3,536
<b>CTB/CNB</b>	\$3,848
<b>AG</b>	\$4,014

## Available finishes



**CP**  
chrome plate



**PN**  
polished nickel



**SN(us15)**  
satin nickel  
finish



**NL**  
non lacquered



**BG**  
brushed gold



**BGG**  
brushed gold gloss  
lacquered



**BGM**  
brushed gold matt  
lacquered



**CTB**  
city bronze



**CNB**  
country bronze



**AG**  
antique gold

## V118-AIS Rough



Feeds: 1/2" or 3/4"  
Fitting depth: Min 2 1/4"



Mass. Code Approved  
C.E.C. Approved

**XX**

\$558

## V192-A Lavatory drain

Can be used with or without an overflow



<b>CP</b>	\$148
<b>PN</b>	\$198
<b>SN(us15)/NL/BG</b>	\$248
<b>BGG/BGM</b>	\$270
<b>CTB/CNB</b>	\$312
<b>AG</b>	\$270

## V193-A 1 1/4" Basin bottle trap



<b>CP</b>	\$420
<b>PN</b>	\$538
<b>SN(us15)</b>	\$568
<b>NL</b>	\$538
<b>BG</b>	\$538
<b>BGG/BGM</b>	\$582
<b>CTB/CNB</b>	\$762
<b>AG</b>	\$592

# Fairfield Tub

## V2KA30 Deck mounted tub / shower mixer



**V2KA30M**  
metal levers

**Spout length:** 9 1/2" - 11 1/8"

**Feeds:** 3/4"

**Standpipes:** If required on standpipes please order adaptor V230-ADAP (supplied free of charge)



**V2KA30C**  
ceramic levers



**V2KA30GBC**  
gloss black  
chrome levers



**V2KA30W**  
wooden levers



**V2KA30X**  
cross tops

<b>CP</b>	\$6,324
<b>PN</b>	\$6,990
<b>SN(us15)/NL/BG</b>	\$7,426
<b>BGG/BGM</b>	\$8,694
<b>CTB/CNB</b>	\$8,800
<b>AG</b>	\$9,194

### Organic Crystal



**V2KA30GC**  
clear crystal levers



**V2KA30GB**  
black crystal levers



**V2KA30SC**  
clear crystal levers



**V2KA30SB**  
black crystal levers

<b>CP</b>	\$7,240
<b>PN</b>	\$7,988
<b>SN(us15)/NL/BG</b>	\$8,466
<b>BGG/BGM</b>	\$9,530
<b>CTB/CNB</b>	\$10,006
<b>AG</b>	\$10,504

### Available finishes



**CP**  
chrome plate



**PN**  
polished nickel



**SN (us15)**  
satin nickel  
finish



**NL**  
non lacquered



**BG**  
brushed gold



**BGG**  
brushed gold gloss  
lacquered



**BGM**  
brushed gold matt  
lacquered



**CTB**  
city bronze



**CNB**  
country bronze

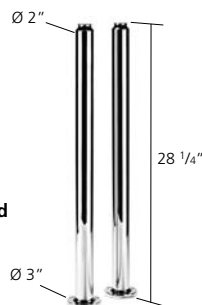


**AG**  
antique gold

## V238-A Standpipes for tub / shower mixers



Mass. Code Approved



<b>CP</b>	\$2,664
<b>PN</b>	\$2,934
<b>SN(us15)/NL/BG</b>	\$3,058
<b>BGG/BGM</b>	\$3,328
<b>CTB/CNB</b>	\$3,600
<b>AG</b>	\$3,828

# Fairfield Tub

V2KA32 Wall mounted tub / shower mixer



V2K32M  
metal levers

Spout length: 10 1/2"  
Feeds: 3/4"



V2KA32C  
ceramic levers



V2KA32GBC  
gloss black  
chrome levers



V2KA32W  
wooden levers



V2KA32X  
cross tops

CP	\$5,804
PN	\$6,428
SN(us15)/NL/BG	\$6,844
BGG/BGM	\$7,988
CTB/CNB	\$8,092
AG	\$8,446

## Organic Crystal



V2KA32GC  
clear crystal levers



V2KA32GB  
black crystal levers



V2KA32SC  
clear crystal levers



V2KA32SB  
black crystal levers

## Geometric Crystal

CP	\$6,698
PN	\$7,426
SN(us15)/NL/BG	\$7,884
BGG/BGM	\$9,194
CTB/CNB	\$9,320
AG	\$9,756

## Available finishes



CP  
chrome plate



PN  
polished nickel



SN (us15)  
satin nickel  
finish



NL  
non lacquered



BG  
brushed gold



BGG  
brushed gold gloss  
lacquered



BGM  
brushed gold matt  
lacquered



CTB  
city bronze



CNB  
country bronze



AG  
antique gold

# Fairfield Tub

## V2KA48 Deck mounted 4-hole tub filler



V2KA48M  
metal levers

Feeds: 3/4"



V2KA48C  
ceramic levers



V2KA48GBC  
gloss black  
chrome levers



V2KA48W  
wooden levers



V2KA48X  
cross tops

CP	\$4,618
PN	\$5,096
SN(us15)/NL/BG	\$5,326
BGG/BGM	\$6,094
CTB/CNB	\$6,240
AG	\$6,552

## Organic Crystal



V2KA48GC  
clear crystal levers



V2KA48GB  
black crystal levers



V2KA48SC  
clear crystal levers



V2KA48SB  
black crystal levers

CP	\$5,222
PN	\$5,742
SN(us15)/NL/BG	\$5,992
BGG/BGM	\$6,918
CTB/CNB	\$7,032
AG	\$7,364

## Available finishes



CP  
chrome plate



PN  
polished nickel



SN (US15)  
satin nickel  
finish



NL  
non lacquered



BG  
brushed gold



BGG  
brushed gold gloss  
lacquered



BGM  
brushed gold matt  
lacquered



CTB  
city bronze



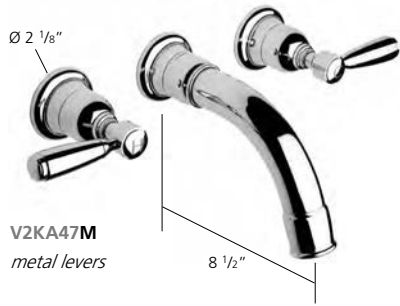
CNB  
country bronze



AG  
antique gold

# Fairfield Tub

**V2KA47** Wall mounted bath filler, trim set  
requires V118-AIS



**V2KA47M**  
metal levers



Mass. Code Approved



**V2KA47C**  
ceramic levers



**V2KA47GBC**  
gloss black  
chrome levers



**V2KA47W**  
wooden levers



**V2KA47X**  
cross tops

<b>CP</b>	\$2,164
<b>PN</b>	\$2,372
<b>SN(us15)/NL/BG</b>	\$2,476
<b>BGG/BGM</b>	\$2,870
<b>CTB/CNB</b>	\$2,912
<b>AG</b>	\$3,058

## Organic Crystal



**V2KA47GC**  
clear crystal levers



**V2KA47GB**  
black crystal levers



**V2KA47SC**  
clear crystal levers



**V2KA47SB**  
black crystal levers

<b>CP</b>	\$2,746
<b>PN</b>	\$3,016
<b>SN(us15)/NL/BG</b>	\$3,162
<b>BGG/BGM</b>	\$3,640
<b>CTB/CNB</b>	\$3,704
<b>AG</b>	\$3,870

## Available finishes



**CP**  
chrome plate



**PN**  
polished nickel



**SN (us15)**  
satin nickel  
finish



**NL**  
non lacquered



**BG**  
brushed gold



**BGG**  
brushed gold gloss  
lacquered



**BGM**  
brushed gold matt  
lacquered



**CTB**  
city bronze



**CNB**  
country bronze



**AG**  
antique gold

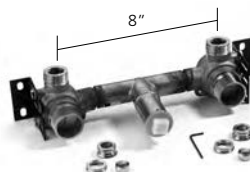
## V118-AIS Rough

Feeds: 1/2" or 3/4"

Fitting depth: Min 2 1/4"



Mass. Code Approved  
C.E.C. Approved

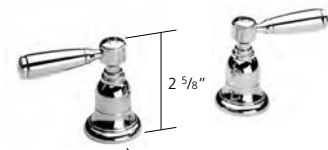


**XX**

\$558

# Fairfield Tub

## V2KA42 Deck mounted side valves (pair)



**V2KA42M**  
metal levers

Feeds: 3/4"



**V2KA42C**  
ceramic levers



**V2KA42GBC**  
glass black chrome levers



**V2KA42W**  
wooden levers



**V2KA42X**  
cross tops

<b>CP</b>	\$2,310
<b>PN</b>	\$2,538
<b>SN(us15)/NL/BG</b>	\$2,664
<b>BGG/BGM</b>	\$3,120
<b>CTB/CNB</b>	\$3,120
<b>AG</b>	\$3,266

## Organic Crystal



**V2K42GC**  
clear crystal levers



**V2K42GB**  
black crystal levers



**V2K42SG**  
clear crystal levers

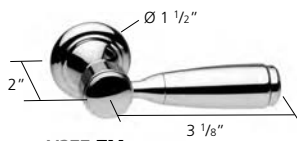


**V2K42SB**  
black crystal levers

<b>CP</b>	\$2,892
<b>PN</b>	\$3,184
<b>SN(us15)/NL/BG</b>	\$3,328
<b>BGG/BGM</b>	\$3,870
<b>CTB/CNB</b>	\$3,890
<b>AG</b>	\$4,078

## Geometric Crystal

### V277 Toilet trip lever



**V277-TM**  
metal lever



**V277-TC**  
ceramic lever



**V277-GBC**  
glass black chrome lever



**V277-TW**  
wooden lever

## Geometric Crystal



**V277-TSC**  
clear crystal lever



**V277-TSB**  
black crystal lever

<b>CP</b>	\$408
<b>PN</b>	\$452
<b>SN(us15)/NL/BG</b>	\$474
<b>BGG/BGM</b>	\$516
<b>CTB/CNB</b>	\$558
<b>AG</b>	\$592

Check compatibility with toilet manufacturer

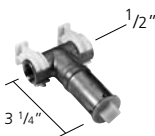
<b>CP</b>	\$720
<b>PN</b>	\$784
<b>SN(us15)/NL/BG</b>	\$826
<b>BGG/BGM</b>	\$902
<b>CTB/CNB</b>	\$966
<b>AG</b>	\$1,010

### V246 Wall mounted spout, trim set requires V158-AIS



<b>CP</b>	\$826
<b>PN</b>	\$912
<b>SN(us15)/NL/BG</b>	\$956
<b>BGG/BGM</b>	\$1,030
<b>CTB/CNB</b>	\$1,124
<b>AG</b>	\$1,186

### V158-AIS Spout rough for V246



<b>XX</b>	\$334
-----------	-------

# Fairfield Tub

## V280 Bath boss for hand shower



<b>CP</b>	\$280
<b>PN</b>	\$312
<b>SN(us15)/NL/BG</b>	\$324
<b>BGG/BGM</b>	\$354
<b>CTB/CNB</b>	\$378
<b>AG</b>	\$398

## V283 Angle bush



Feed: 1/2"

<b>CP</b>	\$250
<b>PN</b>	\$278
<b>SN(us15)/NL/BG</b>	\$290
<b>BGG/BGM</b>	\$312
<b>CTB/CNB</b>	\$338
<b>AG</b>	\$344

## V165, V941, V942 Hoses



	V165	V941	V942
<b>CP</b>	\$134	\$134	\$152
<b>PN</b>	\$152	\$152	\$170
<b>SN(us15)/NL/BG</b>	\$224	\$224	\$238
<b>BGG/BGM</b>	\$280	\$280	\$292
<b>CTB/CNB</b>	\$484	\$484	\$494
<b>AG</b>	\$312	\$312	\$324

Thread: 1/2"

## V254-A Hand shower (easy clean)



V254-AC V254-AM

Thread: 1/2"



<b>CP</b>	\$490
<b>PN</b>	\$538
<b>SN(us15)/NL/BG</b>	\$676
<b>BGG/BGM</b>	\$698
<b>CTB/CNB</b>	\$848
<b>AG</b>	\$720

## V255 Hand shower



V255-C V255-M

Thread: 1/2"



<b>CP</b>	\$414
<b>PN</b>	\$494
<b>SN(us15)/NL/BG</b>	\$634
<b>BGG/BGM</b>	\$666
<b>CTB/CNB</b>	\$806
<b>AG</b>	\$676

## V256 Hand shower

Not for use on slider rails



V256-C V256-M

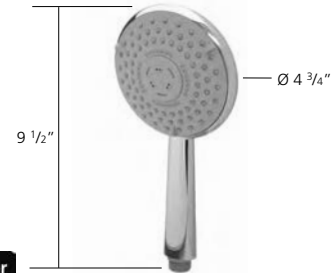
Thread: 1/2"



<b>CP</b>	\$452
<b>PN</b>	\$538
<b>SN(us15)/NL/BG</b>	\$676
<b>BGG/BGM</b>	\$708
<b>CTB/CNB</b>	\$848
<b>AG</b>	\$732

## V199 3 function easy clean hand shower

Not suitable for use with V283



CP \$388

# Fairfield Ancillaries

## VA60-US Lavatory waste with metal plug, chain and stay



Chain length: 11"  
Waste: 1 1/4"

<b>CP</b>	\$280
<b>PN</b>	\$312
<b>SN(us15)/NL/BG</b>	\$324
<b>AG</b>	\$368

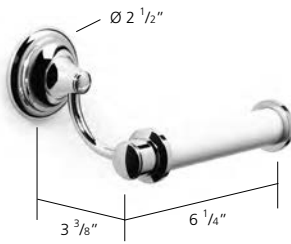
## VA72 Tap hole stopper - drilled



<b>CP</b>	\$192
<b>PN</b>	\$216
<b>SN(us15)/NL/BG</b>	\$228
<b>BGG/BGM</b>	\$248
<b>CTB/CNB</b>	\$270
<b>AG</b>	\$248

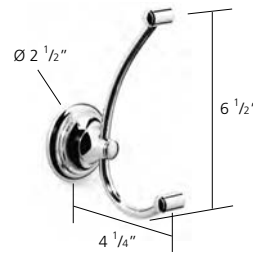
# Fairfield Accessories

**N9537** Paper holder



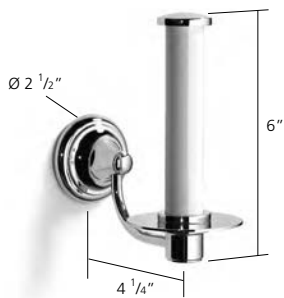
<b>CP</b>	\$484
<b>PN</b>	\$538
<b>SN(us15)/NL/BG</b>	\$558
<b>BGG/BGM</b>	\$612
<b>CTB/CNB</b>	\$656
<b>AG</b>	\$688

**N9532** Double robe hook



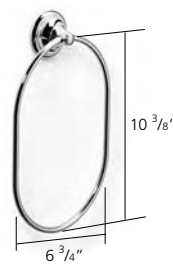
<b>CP</b>	\$398
<b>PN</b>	\$430
<b>SN(us15)/NL/BG</b>	\$452
<b>BGG/BGM</b>	\$494
<b>CTB/CNB</b>	\$538
<b>AG</b>	\$548

**N9541** Spare paper holder



<b>CP</b>	\$612
<b>PN</b>	\$666
<b>SN(us15)/NL/BG</b>	\$698
<b>BGG/BGM</b>	\$762
<b>CTB/CNB</b>	\$826
<b>AG</b>	\$858

**N9538** Towel ring



<b>CP</b>	\$368
<b>PN</b>	\$398
<b>SN(us15)/NL/BG</b>	\$420
<b>BGG/BGM</b>	\$452
<b>CTB/CNB</b>	\$494
<b>AG</b>	\$516

**N9534** Soap dish



<b>CP</b>	\$612
<b>PN</b>	\$676
<b>SN(us15)/NL/BG</b>	\$708
<b>BGG/BGM</b>	\$772
<b>CTB/CNB</b>	\$838
<b>AG</b>	\$858

**N9543** Glass shelf with lifting rail



• Clear glass

<b>CP</b>	\$1,540
<b>PN</b>	\$1,686
<b>SN(us15)/NL/BG</b>	\$1,768
<b>BGG/BGM</b>	\$1,914
<b>CTB/CNB</b>	\$2,060
<b>AG</b>	\$2,144

**N9535** Tumbler holder



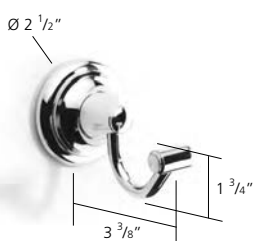
<b>CP</b>	\$602
<b>PN</b>	\$666
<b>SN(us15)/NL/BG</b>	\$698
<b>BGG/BGM</b>	\$752
<b>CTB/CNB</b>	\$816
<b>AG</b>	\$848

**N9551, A, B** Single towel rail with brass rail



	<b>N9551</b>	<b>-A</b>	<b>-B</b>
<b>CP</b>	\$558	\$582	\$602
<b>PN</b>	\$612	\$644	\$656
<b>SN(us15)/NL/BG</b>	\$644	\$666	\$688
<b>BGG/BGM</b>	\$698	\$732	\$752
<b>CTB/CNB</b>	\$752	\$784	\$806
<b>AG</b>	\$784	\$816	\$838

**N9531** Robe hook



<b>CP</b>	\$334
<b>PN</b>	\$368
<b>SN(us15)/NL/BG</b>	\$388
<b>BGG/BGM</b>	\$420
<b>CTB/CNB</b>	\$452
<b>AG</b>	\$474

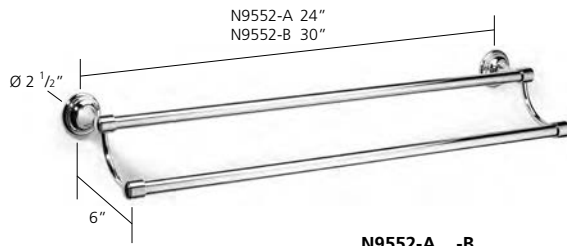
**N9561-A, B** Single towel rails with ceramic rail



	<b>N9561-A</b>	<b>-B</b>
<b>CP</b>	\$538	\$568
<b>PN</b>	\$602	\$622
<b>SN(us15)/NL/BG</b>	\$622	\$656
<b>BGG/BGM</b>	\$676	\$708
<b>CTB/CNB</b>	\$732	\$772
<b>AG</b>	\$762	\$796

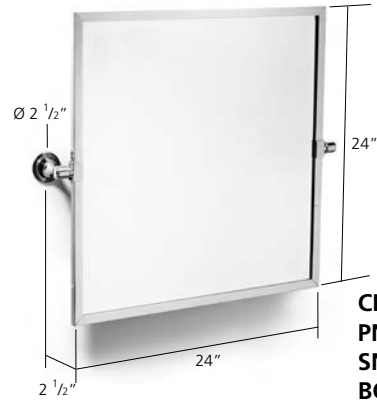
# Fairfield Accessories

**N9552-A, B** Double towel rail with brass rails



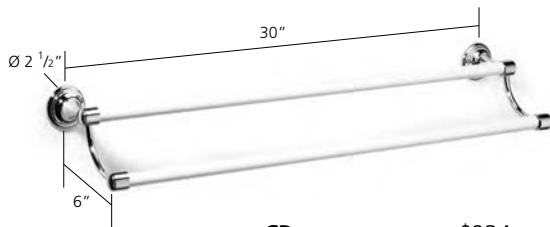
	N9552-A -B	
CP	\$998	\$1,030
PN	\$1,124	\$1,144
SN(us15)/NL/BG	\$1,166	\$1,186
BGG/BGM	\$1,270	\$1,290
CTB/CNB	\$1,352	\$1,394
AG	\$1,416	\$1,456

**N9560** Framed bevelled tilting mirror



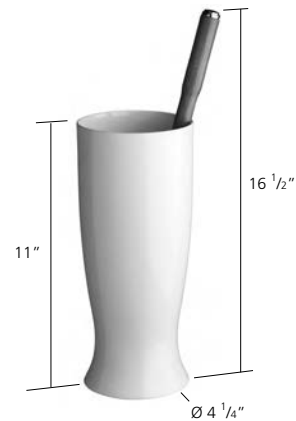
CP	\$2,226
PN	\$2,456
SN(us15)/NL/BG	\$2,560
BGG/BGM	\$2,788
CTB/CNB	\$3,016
AG	\$3,120

**N9562-B** Double towel rail with ceramic rails



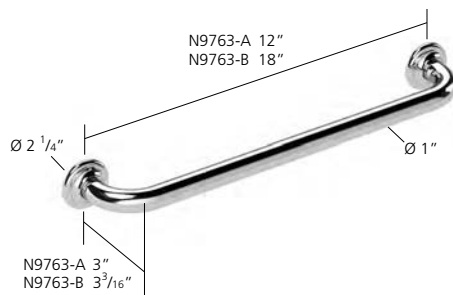
CP	\$934
PN	\$1,030
SN(us15)/NL/BG	\$1,082
BGG/BGM	\$1,186
CTB/CNB	\$1,270
AG	\$1,312

**N9549** Toilet brush set



CP	\$280
PN	\$312
SN(us15)/NL/BG	\$324
BGG/BGM	\$354
CTB/CNB	\$388
AG	\$398

**N9763-A, B** Grab rail



	N9763-A -B	
CP	\$800	\$820
PN	\$880	\$902
SN(us15)/NL/BG	\$920	\$944
BGG/BGM	\$1,000	\$1,026
CTB/CNB	\$1,080	\$1,108
AG	\$1,120	\$1,148

**N9566** Liquid soap dispenser



CP	\$398
PN	\$442
SN(us15)/NL/BG	\$462
BGG/BGM	\$506
CTB/CNB	\$548
AG	\$568

**N9564** Soap holder



CP	\$354
PN	\$388
SN(us15)/NL/BG	\$408
BGG/BGM	\$442
CTB/CNB	\$474
AG	\$494

**N9565** Tumbler



CP	\$354
PN	\$388
SN(us15)/NL/BG	\$408
BGG/BGM	\$442
CTB/CNB	\$474
AG	\$494

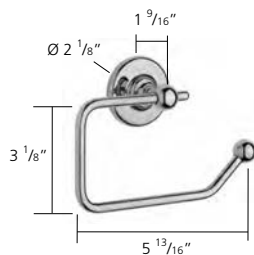
# *Antique*



The Antique accessory collection features ornate detailing and a certain grandeur to capture the essence of the Victorian past. Authentic period brassware is combined with the latest technology to offer a faithful recreation for both traditional and contemporary living spaces.

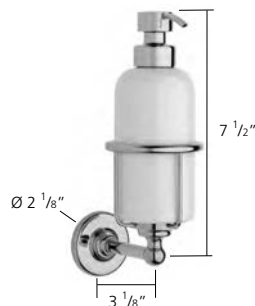
# Antique Accessories

**N4337** Paper holder



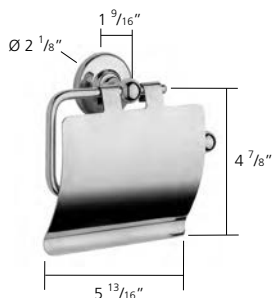
<b>CP</b>	\$354
<b>PN</b>	\$398
<b>NL</b>	\$408
<b>AG</b>	\$506

**N4347** Liquid soap dispenser



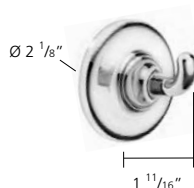
<b>CP</b>	\$732
<b>PN</b>	\$806
<b>NL</b>	\$838
<b>AG</b>	\$1,030

**N4337-C** Paper holder with cover



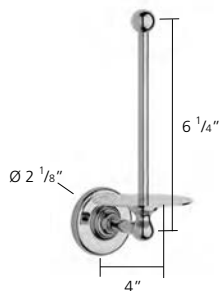
<b>CP</b>	\$558
<b>PN</b>	\$612
<b>NL</b>	\$634
<b>AG</b>	\$784

**N4332** Robe hook



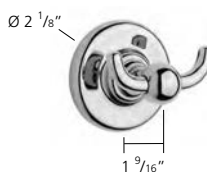
<b>CP</b>	\$236
<b>PN</b>	\$258
<b>NL</b>	\$270
<b>AG</b>	\$324

**N4331** Spare paper holder



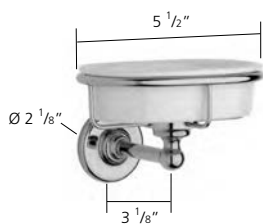
<b>CP</b>	\$408
<b>PN</b>	\$442
<b>NL</b>	\$462
<b>AG</b>	\$568

**N4348** Double robe hook



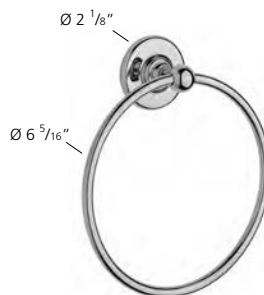
<b>CP</b>	\$292
<b>PN</b>	\$324
<b>NL</b>	\$334
<b>AG</b>	\$420

**N4334** Soap dish



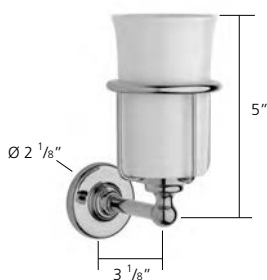
<b>CP</b>	\$708
<b>PN</b>	\$784
<b>NL</b>	\$816
<b>AG</b>	\$1,010

**N4398** Towel ring



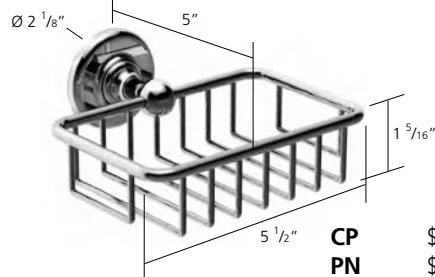
<b>CP</b>	\$292
<b>PN</b>	\$324
<b>NL</b>	\$334
<b>AG</b>	\$408

**N4335** Tumbler holder



<b>CP</b>	\$676
<b>PN</b>	\$742
<b>NL</b>	\$784
<b>AG</b>	\$956

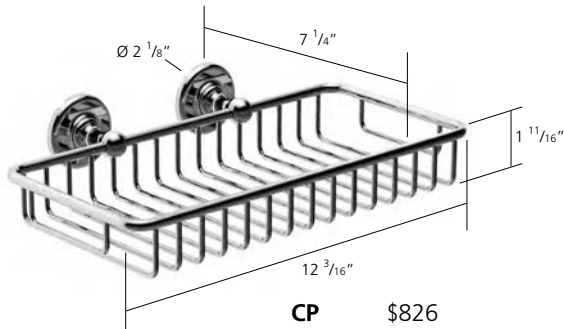
**N4330** Soap basket



<b>CP</b>	\$398
<b>PN</b>	\$442
<b>NL</b>	\$462
<b>AG</b>	\$568

# Antique Accessories

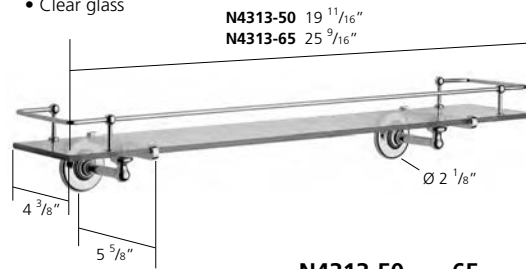
**N4326** Large soap basket



<b>CP</b>	\$826
<b>PN</b>	\$902
<b>NL</b>	\$946
<b>AG</b>	\$1,166

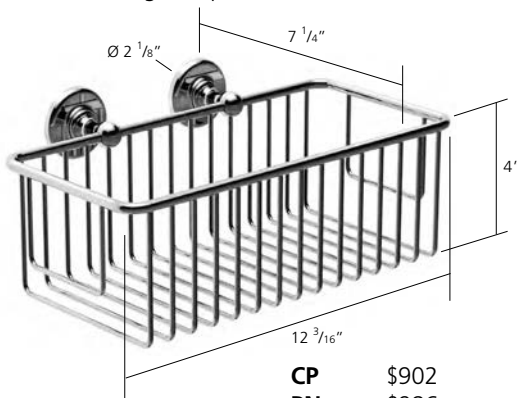
**N4313-50, 65** Glass shelf with lifting rail

• Clear glass



	<b>N4313-50</b>	<b>-65</b>
<b>CP</b>	\$1,456	\$1,478
<b>PN</b>	\$1,582	\$1,624
<b>NL</b>	\$1,664	\$1,686
<b>AG</b>	\$2,040	\$2,060

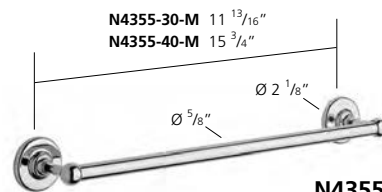
**N4326-XL** Extra large soap basket



<b>CP</b>	\$902
<b>PN</b>	\$986
<b>NL</b>	\$1,040
<b>AG</b>	\$1,290

**N4355-30-M** Single rail - metal rail

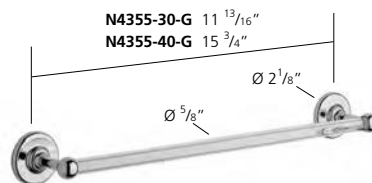
**N4355-40-M** Single rail - metal rail



	<b>N4355-30</b>	<b>-40</b>
<b>CP</b>	\$538	\$582
<b>PN</b>	\$592	\$644
<b>NL</b>	\$612	\$676
<b>AG</b>	\$762	\$826

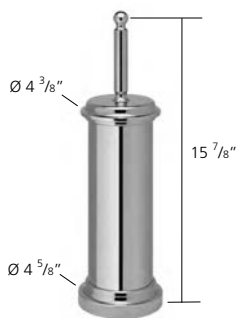
**N4355-30-G** Single rail - glass rail

**N4355-40-G** Single rail - glass rail



	<b>N4355-30</b>	<b>-40</b>
<b>CP</b>	\$538	\$592
<b>PN</b>	\$602	\$656
<b>NL</b>	\$622	\$676
<b>AG</b>	\$762	\$838

**N4349-M** Toilet brush set - metal container

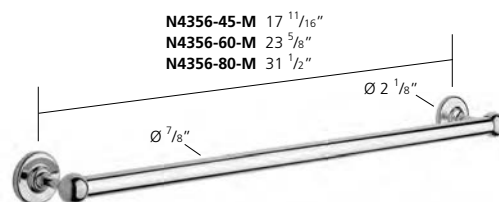


<b>CP</b>	\$934
<b>PN</b>	\$1,030
<b>NL</b>	\$1,104
<b>AG</b>	\$1,332

**N4356-45-M** Single rail - metal rail

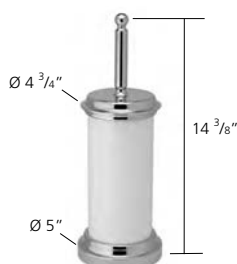
**N4356-60-M** Single rail - metal rail

**N4356-80-M** Single rail - metal rail



	<b>N4356-45</b>	<b>-60</b>	<b>-80</b>
<b>CP</b>	\$622	\$644	\$676
<b>PN</b>	\$688	\$708	\$742
<b>NL</b>	\$720	\$742	\$772
<b>AG</b>	\$892	\$902	\$956

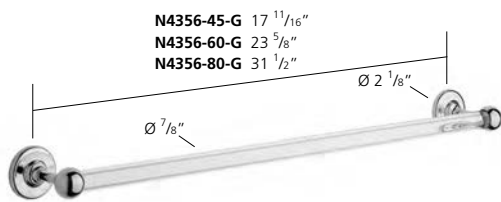
**N4349-C** Toilet brush set - ceramic container



<b>CP</b>	\$688
<b>PN</b>	\$762
<b>NL</b>	\$796
<b>AG</b>	\$976

# Antique Accessories

- N4356-45-G** Single rail - glass rail
- N4356-60-G** Single rail - glass rail
- N4356-80-G** Single rail - glass rail



	<b>N4356-45</b>	<b>-60</b>	<b>-80</b>
<b>CP</b>	\$666	\$742	\$762
<b>PN</b>	\$732	\$816	\$838
<b>NL</b>	\$762	\$858	\$870
<b>AG</b>	\$946	\$1,062	\$1,082

- N4346-A** Framed mirror 19 11/16" H x 15" W
- N4346-B** Framed mirror 23 5/8" H x 18" W



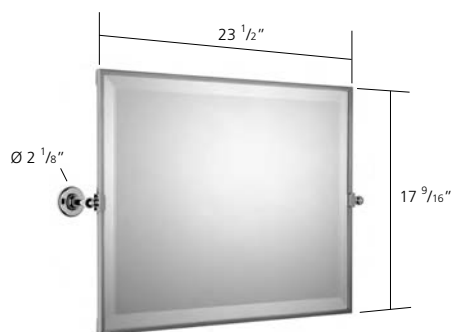
	<b>N4346-A</b>	<b>-B</b>
<b>CP</b>	\$1,914	\$2,060
<b>PN</b>	\$2,080	\$2,268
<b>NL</b>	\$2,184	\$2,372
<b>AG</b>	\$2,684	\$2,912

- N4343-A** Framed mirror 19 9/16" H x 14 11/16" W
- N4343-B** Framed mirror 23 1/2" H x 17 9/16" W
- N4343-C** Framed mirror 27 7/16" H x 20 9/16" W



	<b>N4343-A</b>	<b>-B</b>	<b>-C</b>
<b>CP</b>	\$1,998	\$2,144	\$2,226
<b>PN</b>	\$2,184	\$2,352	\$2,434
<b>NL</b>	\$2,288	\$2,456	\$2,560
<b>AG</b>	\$2,808	\$3,038	\$3,142

- N4343-D** Framed mirror



<b>CP</b>	\$2,144
<b>PN</b>	\$2,352
<b>NL</b>	\$2,456
<b>AG</b>	\$3,038



# XENON

Befitting the contemporary design, Xenon offers numerous combinations of deck mounted and wall mounted shower and bath solutions to suit every conceivable installation. Additionally the range of accessories offers enhanced design flexibility to meet the most demanding requirements.

# Xenon

## Shower



V100



V107



V101  
V111



V102  
V103



V105A  
-KIT

Lavatory and bidet



V109-AUS / V129-A  
V109-ALL / V129-ALL



V116-AUS  
V116-ALL



V117-A

Tub



V140-A



V136-A



V238-A



V147

# Xenon Shower



## V105A-KIT Concealed thermostatic shower

Our most popular Xenon shower combination is available under one easy order number:

Requires **V135-AIS** Concealed thermostatic

Kit includes:

**V102-T** Trim set including wall plate

**V162-A** Overhead shower arm

**V178** Shower head

**V164** Wall outlet

**V183** 1.5m hose

**V182** Hand shower

**V170** Slider rail



U.P.C. Approved

**CP** \$5,304  
**SN(us15)** \$6,198

## V135-AIS Concealed thermostatic valve - rough

Requires V102-T. This valve has 2 controlled outlets and 1 open outlet.

Open outlet requires V107 if used

Feeds: 1/2" NPT

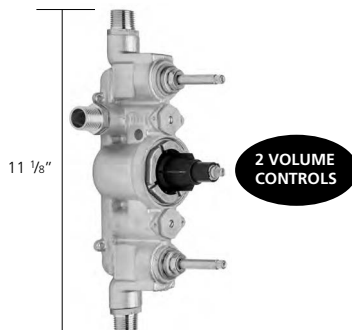
Fitting depth: Min 2 13/16"

- Max 4 3/16" with V102-T

Extension kits are available, please see page 307 for pricing.



Mass. Code approved



**XX** \$1,498

### Available finishes



**CP**  
chrome plate



**PN**  
polished nickel



**SN (us15)**  
satin nickel finish



**BG**  
brushed gold



**BGG**  
brushed gold gloss lacquered



**BGM**  
brushed gold matt lacquered



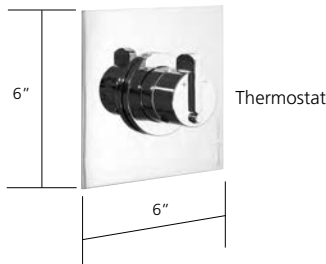
**MBC**  
matt black chrome



**CTB**  
city bronze

# Xenon Shower

**V100-T2** Trim set for V133-AIS thermostatic valve  
*Requires V133-AIS*



**Projection:** Max 2 3/4"  
**Options:** V107 volume control

 <b>Mass. Code approved</b>	<b>CP</b>	\$1,030
	<b>SN(US15)</b>	\$1,186
	<b>BG</b>	\$1,186
	<b>BGG</b>	\$1,290
	<b>BGM</b>	\$1,290
	<b>MBC</b>	\$1,352
	<b>CTB</b>	\$1,394

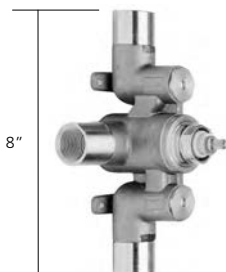
**V107-T2** Trim set for V607-AIS  
*Requires V607-AIS*



**Projection:** Max 2 3/4"

 <b>Mass. Code approved</b>	<b>CP</b>	\$494
	<b>SN(US15)</b>	\$568
	<b>BG</b>	\$568
	<b>BGG</b>	\$612
	<b>BGM</b>	\$612
	<b>MBC</b>	\$634
	<b>CTB</b>	\$666

**V133-AIS** 3/4" Concealed thermostatic valve - rough  
*Requires V100-T2. This valve has 2 open outlets. Use V107 for each*



**Feeds:** 3/4" NPT  
**Fitting depth:** Min 2 15/16" - Max 4 9/16" with V100-T2  
 Extension kits are available, please see page 307 for pricing.  
*Further outlets can be configured*

 <b>Mass. Code approved</b>		<b>XX</b>	\$922
--------------------------------	--	-----------	-------

**V607-AIS** 3/4" Concealed volume control - rough  
*Requires V107-T2*



**Feeds:** 3/4" NPT  
**Fitting depth:** Min 1 3/8" - Max 2 9/16" with V107-T2  
 Extension kits are available, please see page 307 for pricing.  
**CALGreen:** Compliant when used with our CALGreen shower heads or hand showers.

 <b>Mass. Code approved</b>		<b>XX</b>	\$220
--------------------------------	--	-----------	-------

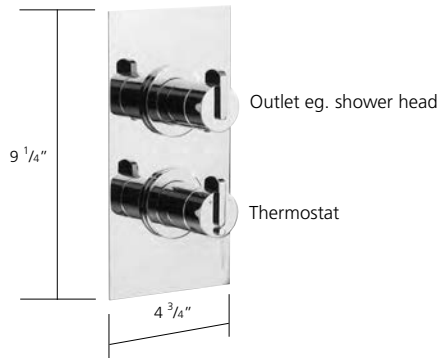
## Available finishes



# Xenon Shower

## V101-T Trim set for V134-AIS

Requires V134-AIS



**Projection:** Max 2 3/4"

**Options:** V107 volume control

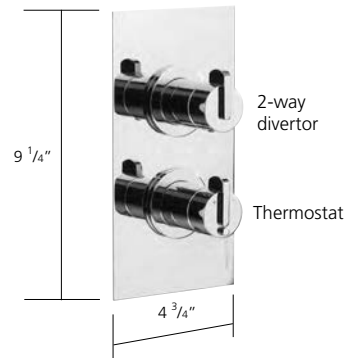


Mass. Code Approved

<b>CP</b>	\$1,728
<b>SN(us15)</b>	\$1,998
<b>BG</b>	\$1,998
<b>BGG</b>	\$2,184
<b>BGM</b>	\$2,184
<b>MBC</b>	\$2,268
<b>CTB</b>	\$2,352

## V111-T Trim set for V111-AIS

Requires V111-AIS



**Projection:** Max 2 3/4"

**Options:** V107 volume control

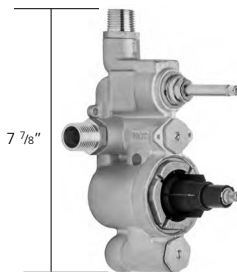


Mass. Code Approved

<b>CP</b>	\$1,728
<b>SN(us15)</b>	\$1,998
<b>BG</b>	\$1,998
<b>BGG</b>	\$2,184
<b>BGM</b>	\$2,184
<b>MBC</b>	\$2,268
<b>CTB</b>	\$2,352

## V134-AIS Concealed thermostatic valve - rough

Requires V101-T. This valve has 1 controlled outlet.



**Feeds:** 1/2" NPT

**Fitting depth:** Min 2 13/16" - Max 4 3/16" with V101-T

Extension kits are available, please see page 307 for pricing.

**CALGreen:** Compliant when used with our CALGreen shower heads or hand showers.

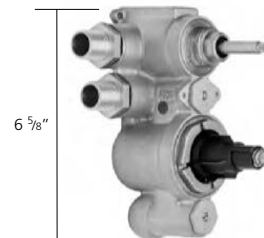


Mass. Code approved

**XX** \$1,124

## V111-AIS Concealed thermostatic valve - rough

Requires V111-T. This valve has a 2-way divertor.



**Feeds:** 1/2" NPT

**Fitting depth:** Min 2 13/16" - Max 4 3/16" with V111-T

Extension kits are available, please see page 307 for pricing.

**CALGreen:** Compliant when used with our CALGreen shower heads or hand showers.



Mass. Code approved

**XX** \$1,208

### Available finishes



**CP**  
chrome plate



**PN**  
polished nickel



**SN (us15)**  
satin nickel finish



**BG**  
brushed gold



**BGG**  
brushed gold gloss lacquered



**BGM**  
brushed gold matt lacquered



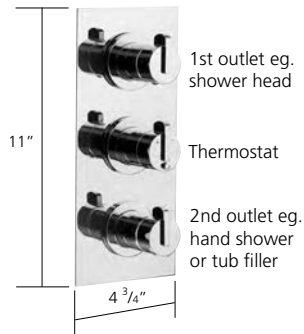
**MBC**  
matt black chrome



**CTB**  
city bronze

# Xenon Shower

**V102-T** Trim set for V135-AIS, 2 separate volume controls  
*Requires V135-AIS*



**Projection:** Max 2 3/4"

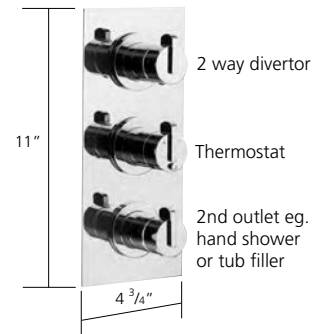
**Options:** V107 volume control



Mass. Code Approved

<b>CP</b>	\$1,936
<b>SN(us15)</b>	\$2,226
<b>BG</b>	\$2,226
<b>BGG</b>	\$2,414
<b>BGM</b>	\$2,414
<b>MBC</b>	\$2,496
<b>CTB</b>	\$2,600

**V103-T** Trim set for V132-AIS, 2-way diverter with volume control  
*Requires V132-AIS*



**Projection:** Max 2 3/4"

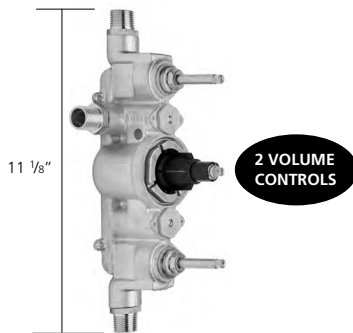
**Options:** V107 volume control



Mass. Code Approved

<b>CP</b>	\$1,936
<b>SN(us15)</b>	\$2,226
<b>BG</b>	\$2,226
<b>BGG</b>	\$2,414
<b>BGM</b>	\$2,414
<b>MBC</b>	\$2,496
<b>CTB</b>	\$2,600

**V135-AIS** Concealed thermostatic valve - rough  
*Requires V102-T. This valve has 2 controlled outlets and 1 open outlet. Open outlet requires V107 if used*



**Feeds:** 1/2" NPT

**Fitting depth:** Min 2 13/16"

- Max 4 3/16" with V102-T

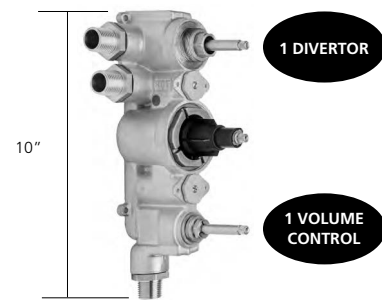
Extension kits are available, please see page 307 for pricing.



Mass. Code approved

**XX** \$1,498

**V132-AIS** Concealed thermostatic valve - rough  
*Requires V103-T. This valve has a two-way diverter plus an extra controlled outlet giving 3 options*



**Feeds:** 3/4" NPT

**Fitting depth:**

Min 2 13/16" -

Max 4 3/16"

with V103-T

Extension kits are available, please see page 307 for pricing.



Mass. Code approved

**XX** \$1,602

## Available finishes



**CP**  
chrome plate



**PN**  
polished nickel



**SN (us15)**  
satin nickel finish



**BG**  
brushed gold



**BGG**  
brushed gold gloss lacquered



**BGM**  
brushed gold matt lacquered



**MBC**  
matt black chrome

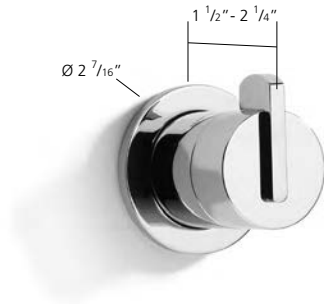


**CTB**  
city bronze

# Xenon Shower

## V168-T Concealed 3 way divertor

Requires V168-AIS



Feeds: 1/2"



Mass. Code approved

<b>CP</b>	\$582
<b>SN(us15)</b>	\$666
<b>BG</b>	\$666
<b>BGG</b>	\$728
<b>BGM</b>	\$728
<b>MBC</b>	\$748
<b>CTB</b>	\$780

## V168-AIS Concealed 3-way divertor rough

Requires V168-T

- One inlet, three outlets (one can be closed off)

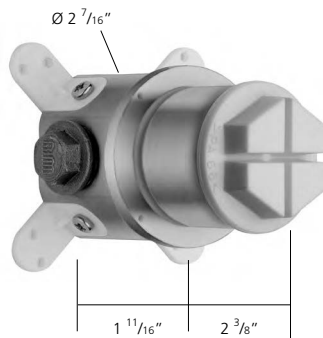
**Inlet & outlets:** 1/2"

**Fitting depth:** Min 3 1/8" - Max 3 15/16" with V168-T  
Extension kits are available, please see page 307 for pricing.

**CALGreen:** Compliant when used with our C.E.C. shower heads or hand showers.  
Can be used for deck mounting providing the unit is supported sufficiently.



Mass. Code approved



**XX** \$720

### Available finishes



**CP**  
chrome plate



**PN**  
polished nickel



**SN (US15)**  
satin nickel finish



**BG**  
brushed gold



**BGG**  
brushed gold gloss lacquered



**BGM**  
brushed gold matt lacquered



**MBC**  
matt black chrome



**CTB**  
city bronze

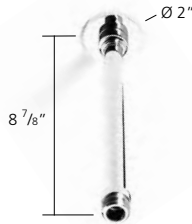
# Xenon Shower

## V162-A 1/2" Shower arm



<b>CP</b>	\$912
<b>SN(us15)</b>	\$1,062
<b>BG</b>	\$1,062
<b>BGG</b>	\$1,166
<b>BGM</b>	\$1,166
<b>MBC</b>	\$1,208
<b>CTB</b>	\$1,248

## V169-A 1/2" Ceiling tube



<b>CP</b>	\$528
<b>SN(us15)</b>	\$602
<b>BG</b>	\$602
<b>BGG</b>	\$656
<b>BGM</b>	\$656
<b>MBC</b>	\$676
<b>CTB</b>	\$708

## V987 Swivel ball joint

For use with V663-A and V665-A shower heads.



Thread: 1/2"



<b>CP</b>	\$88
<b>SN(us15)</b>	\$116
<b>BG</b>	\$116
<b>BGG</b>	\$162
<b>BGM</b>	\$162
<b>MBC</b>	\$162
<b>CTB</b>	\$172

## V178-A, V178-B 8" Easy clean shower head



Thread: 1/2"



Flow < 1.8 gpm  
Min. 45 psi  
V178-B Higher flow rate (2.5gpm) also available (not approved)

**C.E.C. Approved**  
**Mass. Code approved**

<b>CP</b>	\$494
<b>SN(us15)</b>	\$732
<b>BGG</b>	\$1,010
<b>BGM</b>	\$1,010
<b>MBC</b>	\$720
<b>CTB</b>	\$1,010

## V163 8" Shower head

For swivel ball joint order V987.



Min. 45 psi

<b>CP</b>	\$762
<b>SN(us15)</b>	\$880

## V663-A, V663-B 8" Easy clean shower head

For swivel ball joint order V987.



Flow < 1.8 gpm  
Min. 45 psi

V663-B Higher flow rate (2.5gpm) also available (not approved)



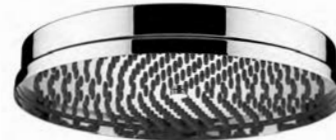
**C.E.C. Approved**  
**Mass. Code approved**

<b>CP</b>	\$838
<b>SN(us15)</b>	\$986
<b>BG</b>	\$986
<b>BGG</b>	\$1,144
<b>BGM</b>	\$1,144
<b>MBC</b>	\$1,124
<b>CTB</b>	\$1,144

## V665-A, V665-B 12" shower head

For swivel ball joint order V987.

Due to its weight this product is best used with a ceiling tube.  
If used with exposed pipework additional support brackets will be required.



Some nozzles may not give full flow due to the strict limitations of flow required by C.E.C.



Flow < 1.8 gpm

V665-B Higher flow rate (2.5gpm) also available (not approved)



**C.E.C. Approved**  
**Mass. Code approved**

<b>CP</b>	\$1,582
<b>SN(us15)</b>	\$1,790
<b>BG</b>	\$1,790
<b>BGG</b>	\$1,956
<b>BGM</b>	\$1,956
<b>MBC</b>	\$2,060
<b>CTB</b>	\$2,102

## V198 4 3/4" Dual function easy clean shower head



Min. 45 psi

<b>CP</b>	\$442
-----------	-------

## V188 8" Easy clean shower head



Min. 45 psi

<b>CP</b>	\$1,010
<b>SN(us15)</b>	\$1,166

## V189 12" Easy clean shower head

Due to its weight this product is best used with a ceiling tube.  
If used with exposed pipework additional support brackets will be required.



Some nozzles may not give full flow due to the strict limitations of flow required by C.E.C.



<b>CP</b>	\$1,478
<b>SN(us15)</b>	\$1,706

# Xenon Shower

## V378 8" Square easy clean shower head



Min. 45 psi

<b>CP</b>	\$1,352
<b>PN</b>	\$1,498
<b>SN(us15)</b>	\$1,560

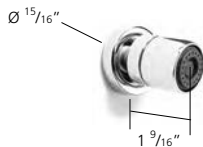
## V379 12" Square easy clean shower head

*Due to its weight this product is best used with a ceiling tube.  
If used with exposed pipework additional support brackets will be required.*



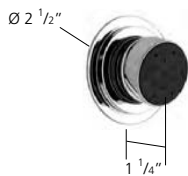
<b>CP</b>	\$1,832
<b>PN</b>	\$2,018
<b>SN(us15)</b>	\$2,102

## V176-A 1/2" Bodyjet



<b>CP</b>	\$302
<b>SN(us15)</b>	\$442
<b>BG</b>	\$442
<b>BGG</b>	\$484
<b>BGM</b>	\$484
<b>MBC</b>	\$538
<b>CTB</b>	\$666

## V276-A 1/2" Bodyjet (high flow)



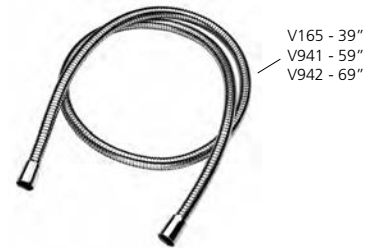
<b>CP</b>	\$592
<b>SN(us15)</b>	\$688
<b>BG</b>	\$688
<b>BGG</b>	\$742
<b>BGM</b>	\$742
<b>MBC</b>	\$772
<b>CTB</b>	\$858

## V183 59" Smooth, V184 69" Smooth



	<b>V183</b>	<b>V184</b>
<b>CP</b>	\$152	\$170
<b>SN(us15)</b>	\$182	\$194
<b>MBC</b>	\$204	\$216

## V165, V941, V942 Hoses



Thread: 1/2"

	<b>V165</b>	<b>V941</b>	<b>V942</b>
<b>CP</b>	\$134	\$134	\$152
<b>SN(us15)</b>	\$224	\$224	\$238
<b>BG</b>	\$224	\$224	\$238
<b>BGG</b>	\$280	\$280	\$292
<b>BGM</b>	\$280	\$280	\$292
<b>MBC</b>	\$280	\$280	\$292
<b>CTB</b>	\$484	\$484	\$494

## V159-A Combined wall outlet / bracket



Feed: 1/2"

<b>CP</b>	\$178
<b>SN(us15)</b>	\$204
<b>BG</b>	\$204
<b>BGG</b>	\$224
<b>BGM</b>	\$224
<b>MBC</b>	\$234
<b>CTB</b>	\$240

## V164-A Wall outlet



<b>CP</b>	\$388
<b>SN(us15)</b>	\$442
<b>BG</b>	\$442
<b>BGG</b>	\$484
<b>BGM</b>	\$484
<b>MBC</b>	\$506
<b>CTB</b>	\$528

## V167 Wall bracket



<b>CP</b>	\$334
<b>SN(us15)</b>	\$388
<b>BG</b>	\$388
<b>BGG</b>	\$420
<b>BGM</b>	\$420
<b>MBC</b>	\$442
<b>CTB</b>	\$452

## V179 Angle bush



<b>CP</b>	\$258
<b>SN(us15)</b>	\$292
<b>BG</b>	\$292
<b>BGG</b>	\$324
<b>BGM</b>	\$324
<b>MBC</b>	\$334
<b>CTB</b>	\$344

# Xenon Shower

## V180 Bath boss

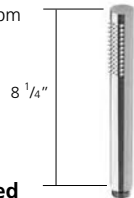


<b>CP</b>	\$302
<b>SN(us15)</b>	\$344
<b>BG</b>	\$344
<b>BGG</b>	\$378
<b>BGM</b>	\$378
<b>MBC</b>	\$398
<b>CTB</b>	\$408

## V182-A Easy clean hand shower



Flow < 1.8 gpm



<b>CP</b>	\$312
<b>SN(us15)</b>	\$354
<b>BG</b>	\$354
<b>BGG</b>	\$388
<b>BGM</b>	\$388
<b>MBC</b>	\$398
<b>CTB</b>	\$420

C.E.C. Approved  
Mass. Code approved

## V185 Easy clean hand shower - 3 settings (rain, wide or narrow)

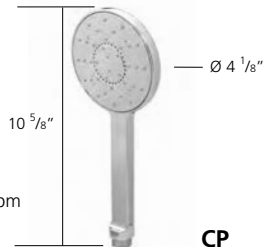


Flow < 2.0 gpm

<b>CP</b>	\$452
<b>SN(us15)</b>	\$516

## V386 Easy clean hand shower

Not suitable for use with V179

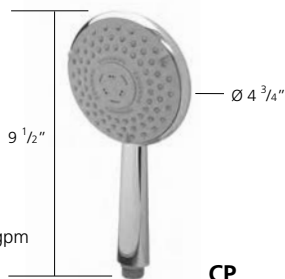


Flow < 2.0 gpm

<b>CP</b>	\$334
-----------	-------

## V199 3 function easy clean hand shower

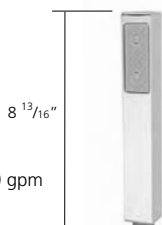
Not suitable for use with V179



Flow < 2.0 gpm

<b>CP</b>	\$388
-----------	-------

## V187 Square easy clean hand shower



Flow < 2.0 gpm

<b>CP</b>	\$324
<b>SN(us15)</b>	\$378

## V170A-A Slider rail kit A



Kit includes:

- V170**
- V164-A**
- V183 or V941**
- V182**

Feeds: 1/2" NPT



Flow < 1.8 gpm

<b>CP</b>	\$1,602
<b>SN(us15)</b>	\$1,852
<b>BG</b>	\$1,852
<b>BGG</b>	\$2,018
<b>BGM</b>	\$2,018
<b>MBC</b>	\$2,080
<b>CTB</b>	\$2,184

## V170A-B Slider rail kit B - 3 settings (rain, wide or narrow)



Kit includes:

- V170**
- V164-A**
- V183**
- V185**

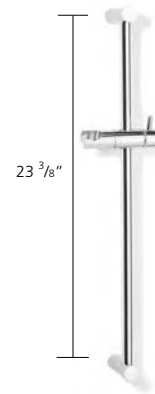
Feeds: 1/2" NPT



Flow < 1.8 gpm

<b>CP</b>	\$1,748
<b>SN(us15)</b>	\$2,018

## V170 Slider rail

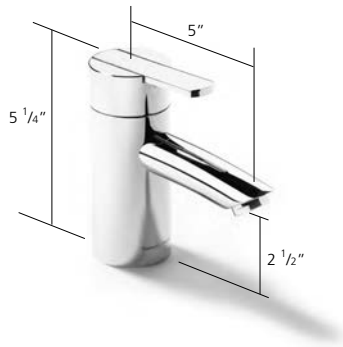


<b>CP</b>	\$762
<b>SN(us15)</b>	\$870

# Xenon Lavatory

## V109-AUS, V129-A Single lever mixer

V109-AUS with pop-up waste, V129-A without pop-up waste



**Feeds:** 1/2" x 18 7/8" flexi hoses

**Max deck thickness:** 1 1/2"

**Max drill hole Ø:** 1 1/2"

For low lead option order V109-ALL or V129-ALL



Flow < 1.2 gpm



Mass. Code approved (V109-ALL & V129-ALL only)

C.E.C. Approved

	V109-AUS	V129-A
<b>CP</b>	\$1,664	\$1,540
<b>SN(us15)</b>	\$1,914	\$1,768
<b>BG</b>	\$1,914	\$1,768
<b>BGG</b>	\$2,060	\$1,936
<b>BGM</b>	\$2,060	\$1,936
<b>MBC</b>	\$2,144	\$1,998
<b>CTB</b>	\$2,248	\$2,080

## V116-AUS 3 hole widespread lavatory filler swivel spout with pop-up waste



**Feeds:** 1/2"

**Max deck thickness:** 1 1/2"

**Max drill hole Ø:** (side valves) 1 1/4"

**Max drill hole Ø:** (spout) 1 1/2"

For low lead option order V116-ALL



Flow < 1.2 gpm



Mass. Code approved (V116-ALL only)

C.E.C. Approved

	With PUW	No PUW
<b>CP</b>	\$2,352	\$2,102
<b>SN(us15)</b>	\$2,684	\$2,414
<b>BG</b>	\$2,684	\$2,414
<b>BGG</b>	\$2,934	\$2,642
<b>BGM</b>	\$2,934	\$2,642
<b>MBC</b>	\$3,038	\$2,746
<b>CTB</b>	\$3,162	\$2,850

### Available finishes



**CP**  
chrome plate



**PN**  
polished nickel



**SN (us15)**  
satin nickel  
finish



**BG**  
brushed gold



**BGG**  
brushed gold gloss  
lacquered



**BGM**  
brushed gold matt  
lacquered



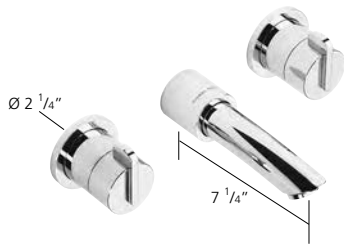
**MBC**  
matt black chrome



**CTB**  
city bronze

# Xenon Lavatory

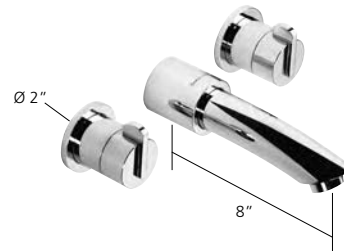
**V117-A** Wall mounted lavatory filler, trim set  
requires V118-AIS rough



<b>CP</b>	\$1,768
<b>SN(us15)</b>	\$2,040
<b>BG</b>	\$2,040
<b>BGG</b>	\$2,226
<b>BGM</b>	\$2,226
<b>MBC</b>	\$2,310
<b>CTB</b>	\$2,392

# Xenon Tub

**V147** Wall mounted tub filler, trim set  
requires V118-AIS rough

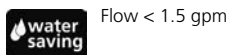


<b>CP</b>	\$1,914
<b>SN(us15)</b>	\$2,206
<b>BG</b>	\$2,206
<b>BGG</b>	\$2,392
<b>BGM</b>	\$2,392
<b>MBC</b>	\$2,496
<b>CTB</b>	\$2,600

## V118-AIS Rough



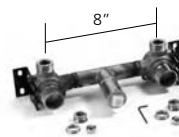
**Feeds:** 1/2" or 3/4"  
**Fitting depth:** Min 2 1/4"



**C.E.C. Approved**  
**Mass. Code approved**

<b>XX</b>	\$558
-----------	-------

## V118-AIS Rough



**Feeds:** 1/2" or 3/4"  
**Fitting depth:** Min 2 1/4"

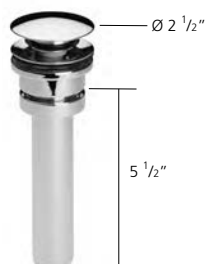


**C.E.C. Approved**  
**Mass. Code approved**

<b>XX</b>	\$558
-----------	-------

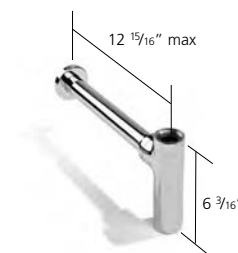
## V192-A Lavatory drain

Can be used with or without an overflow



<b>CP</b>	\$148
<b>SN(us15)/NL/BG</b>	\$248
<b>BGG/BGM</b>	\$270
<b>MBC</b>	\$270
<b>CTB</b>	\$312

## V193-A 1 1/4" Basin bottle trap



<b>CP</b>	\$420
<b>SN(us15)</b>	\$568
<b>NL</b>	\$538
<b>BG</b>	\$538
<b>BGG/BGM</b>	\$582
<b>MBC</b>	\$582
<b>CTB</b>	\$762

## Available finishes



**CP**  
chrome plate



**PN**  
polished nickel



**SN (us15)**  
satin nickel finish



**BG**  
brushed gold



**BGG**  
brushed gold gloss lacquered



**BGM**  
brushed gold matt lacquered



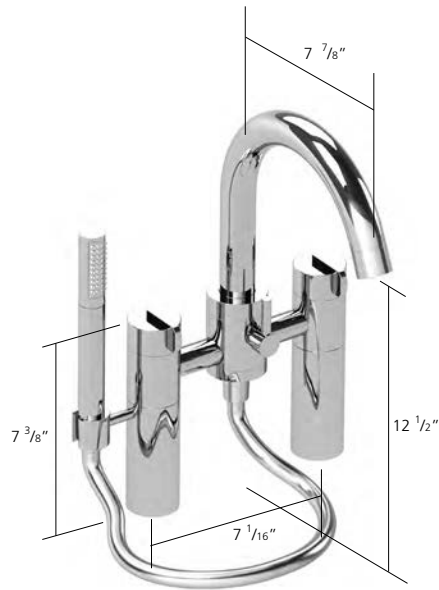
**MBC**  
matt black chrome



**CTB**  
city bronze

# Xenon Tub

## V136-A Tub shower mixer



**Feeds:** 3/4"

**Max deck thickness:** 1 1/2"

**Max drill hole Ø:** 1 3/8"

**Standpipes:** If required on standpipes please order adaptor V136-ADAP (supplied free of charge)

<b>CP</b>	\$4,556
<b>SN(us15)</b>	\$5,242
<b>BG</b>	\$5,242
<b>BGG</b>	\$5,700
<b>BGM</b>	\$5,700
<b>MBC</b>	\$5,928
<b>CTB</b>	\$6,158

## V238-A Standpipes for tub / shower mixers



<b>CP</b>	\$2,664
<b>SN(us15)</b>	\$3,058
<b>BG</b>	\$3,058
<b>BGG</b>	\$3,328
<b>BGM</b>	\$3,328
<b>MBC</b>	\$3,454
<b>CTB</b>	\$3,600

### Available finishes



**CP**  
chrome plate



**PN**  
polished nickel



**SN (us15)**  
satin nickel  
finish



**BG**  
brushed gold



**BGG**  
brushed gold gloss  
lacquered



**BGM**  
brushed gold matt  
lacquered



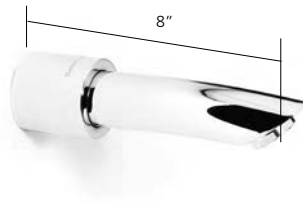
**MBC**  
matt black chrome



**CTB**  
city bronze

# Xenon Tub

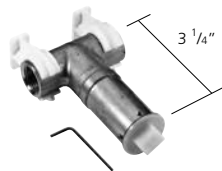
**V157** Wall mounted spout, trim set  
*requires V158-AIS rough*



**Feeds:** 1/2"

<b>CP</b>	\$732
<b>SN(us15)</b>	\$838
<b>BG</b>	\$838
<b>BGG</b>	\$912
<b>BGM</b>	\$912
<b>MBC</b>	\$956
<b>CTB</b>	\$986

**V158-AIS** Wall mounted spout, Rough  
*requires V157 Trim set*



<b>XX</b>	\$334
-----------	-------

**V140-A** Single lever tub mixer



**Feeds:** 1/2" x 18 7/8" flexi hoses  
**Max deck thickness:** 1 1/2"  
**Max drill hole Ø:** 2 1/8"

<b>CP</b>	\$3,058
<b>SN(us15)</b>	\$3,516
<b>BG</b>	\$3,516
<b>BGG</b>	\$3,828
<b>BGM</b>	\$3,828
<b>MBC</b>	\$3,974
<b>CTB</b>	\$1,120

## Available finishes



**CP**  
chrome plate



**PN**  
polished nickel



**SN (us15)**  
satin nickel  
finish



**BG**  
brushed gold



**BGG**  
brushed gold gloss  
lacquered



**BGM**  
brushed gold matt  
lacquered



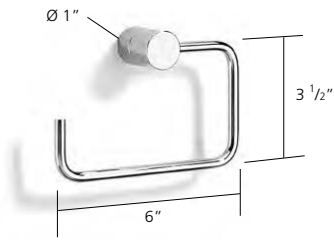
**MBC**  
matt black chrome



**CTB**  
city bronze

# Xenon Accessories

**N5037** Paper holder



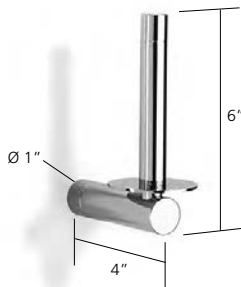
<b>CP</b>	\$200
<b>PN</b>	\$216
<b>SN(us15)</b>	\$228
<b>BG</b>	\$228
<b>BGG</b>	\$248
<b>BGM</b>	\$248
<b>URB</b>	\$228
<b>MBC</b>	\$258
<b>CTB</b>	\$270

**N5032** Robe hook



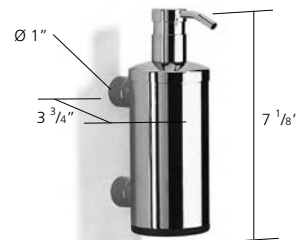
<b>CP</b>	\$110
<b>PN</b>	\$120
<b>SN(us15)</b>	\$126
<b>NL</b>	\$126
<b>BG</b>	\$126
<b>BGG</b>	\$136
<b>BGM</b>	\$136
<b>URB</b>	\$126
<b>MBC</b>	\$140
<b>CTB</b>	\$148

**N5031** Spare paper holder



<b>CP</b>	\$322
<b>PN</b>	\$354
<b>SN(us15)</b>	\$368
<b>BG</b>	\$368
<b>BGG</b>	\$398
<b>BGM</b>	\$398
<b>URB</b>	\$368
<b>MBC</b>	\$408
<b>CTB</b>	\$430

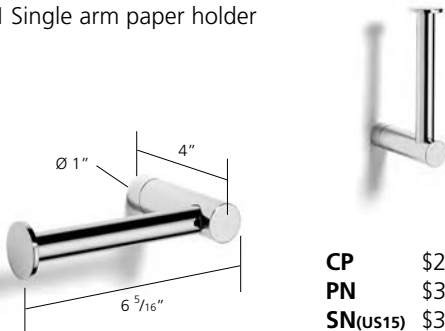
**N5304** Liquid soap dispenser



**Capacity:**  
Max 8 fl oz (US)

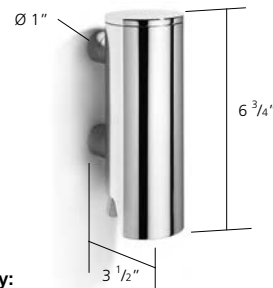
<b>CP</b>	\$688
<b>PN</b>	\$762
<b>SN(us15)</b>	\$796
<b>BG</b>	\$796
<b>BGG</b>	\$858
<b>BGM</b>	\$858
<b>MBC</b>	\$902
<b>CTB</b>	\$934

**N5091** Single arm paper holder



<b>CP</b>	\$280
<b>PN</b>	\$310
<b>SN(us15)</b>	\$324
<b>NL</b>	\$324
<b>BG</b>	\$324
<b>BGG</b>	\$354
<b>BGM</b>	\$354
<b>MBC</b>	\$368
<b>CTB</b>	\$378

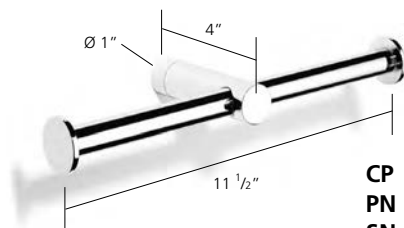
**N5305** Liquid soap dispenser



**Capacity:**  
Max 8 fl oz (US)

<b>CP</b>	\$806
<b>PN</b>	\$880
<b>SN(us15)</b>	\$922
<b>BG</b>	\$922
<b>BGG</b>	\$998
<b>BGM</b>	\$998
<b>URB</b>	\$998
<b>MBC</b>	\$1,040
<b>CTB</b>	\$1,104

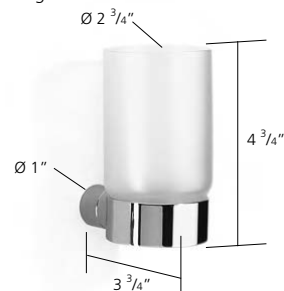
**N5092** Double paper holder



<b>CP</b>	\$388
<b>PN</b>	\$430
<b>SN(us15)</b>	\$442
<b>BG</b>	\$442
<b>BGG</b>	\$484
<b>BGM</b>	\$484
<b>MBC</b>	\$506
<b>CTB</b>	\$528

**N5035** Tumbler

• Frosted glass

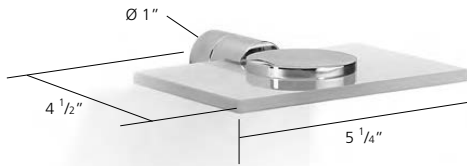


<b>CP</b>	\$302
<b>PN</b>	\$334
<b>SN(us15)</b>	\$354
<b>BG</b>	\$354
<b>BGG</b>	\$388
<b>BGM</b>	\$388
<b>MBC</b>	\$398
<b>CTB</b>	\$408

# Xenon Accessories

## N5034 Soap holder

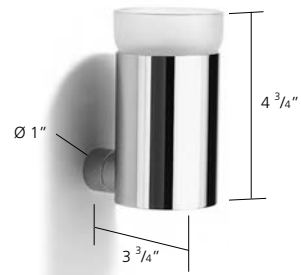
- Frosted glass



<b>CP</b>	\$332
<b>PN</b>	\$368
<b>SN(us15)</b>	\$378
<b>BG</b>	\$378
<b>BGG</b>	\$408
<b>BGM</b>	\$408
<b>MBC</b>	\$430
<b>CTB</b>	\$442

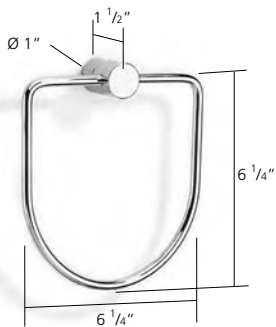
## N5045 Toothbrush holder

- Frosted glass



<b>CP</b>	\$332
<b>PN</b>	\$368
<b>SN(us15)</b>	\$378
<b>BG</b>	\$378
<b>BGG</b>	\$408
<b>BGM</b>	\$408
<b>MBC</b>	\$430
<b>CTB</b>	\$442

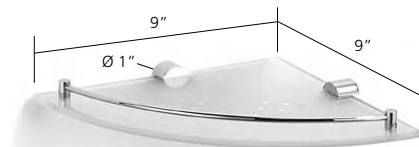
## N5098 Towel ring



<b>CP</b>	\$212
<b>PN</b>	\$234
<b>SN(us15)</b>	\$244
<b>NL</b>	\$244
<b>BG</b>	\$244
<b>BGG</b>	\$266
<b>BGM</b>	\$266
<b>URB</b>	\$244
<b>MBC</b>	\$276
<b>CTB</b>	\$286

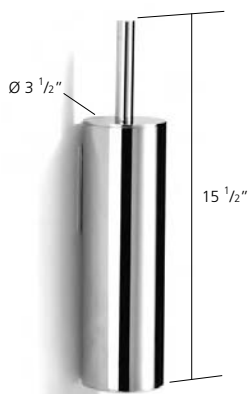
## N5036 Glass corner shelf

- Frosted glass



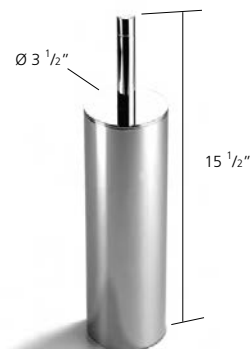
<b>CP</b>	\$442
<b>PN</b>	\$484
<b>SN(us15)</b>	\$506
<b>BG</b>	\$506
<b>BGG</b>	\$548
<b>BGM</b>	\$548
<b>MBC</b>	\$568
<b>CTB</b>	\$592

## L5042 Wall mounted toilet brush



<b>CP</b>	\$602
<b>PN</b>	\$666
<b>SN(us15)</b>	\$698
<b>NL</b>	\$698
<b>BG</b>	\$698
<b>BGG</b>	\$752
<b>BGM</b>	\$752
<b>URB</b>	\$698
<b>MBC</b>	\$784
<b>CTB</b>	\$816

## L5044 Freestanding toilet brush

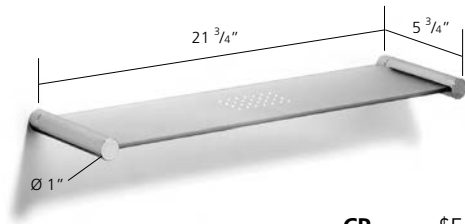


<b>CP</b>	\$548
<b>PN</b>	\$602
<b>SN(us15)</b>	\$634
<b>NL</b>	\$634
<b>BG</b>	\$634
<b>BGG</b>	\$688
<b>BGM</b>	\$688
<b>URB</b>	\$634
<b>MBC</b>	\$708
<b>CTB</b>	\$742

# Xenon Accessories

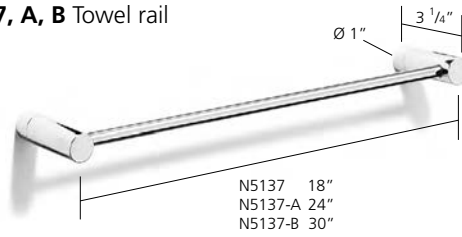
## N5113 Glass shelf

- Frosted glass



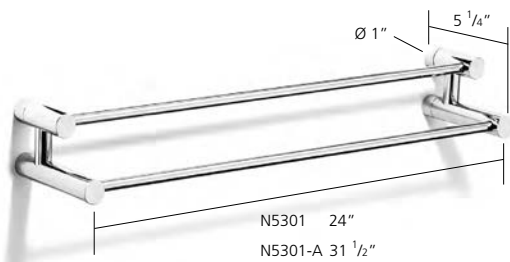
<b>CP</b>	\$516
<b>PN</b>	\$568
<b>SN(us15)</b>	\$602
<b>BG</b>	\$602
<b>BGG</b>	\$644
<b>BGM</b>	\$644
<b>MBC</b>	\$676
<b>CTB</b>	\$698

## N5137, A, B Towel rail



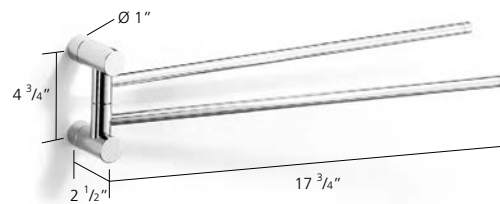
	<b>N5137</b>	<b>-A</b>	<b>-B</b>
<b>CP</b>	\$332	\$344	\$354
<b>PN</b>	\$368	\$378	\$398
<b>SN(us15)</b>	\$378	\$398	\$408
<b>BG</b>	\$378	\$398	\$408
<b>BGG</b>	\$408	\$430	\$452
<b>BGM</b>	\$408	\$430	\$452
<b>URB</b>	\$378	\$398	\$408
<b>MBC</b>	\$430	\$442	\$462
<b>CTB</b>	\$442	\$462	\$484

## N5301, A Double towel rail



	<b>N5301</b>	<b>-A</b>
<b>CP</b>	\$784	\$816
<b>PN</b>	\$870	-
<b>SN(us15)</b>	\$912	\$946
<b>BG</b>	\$912	-
<b>BGG</b>	\$986	-
<b>BGM</b>	\$986	-
<b>MBC</b>	\$1,030	-
<b>CTB</b>	\$1,062	-

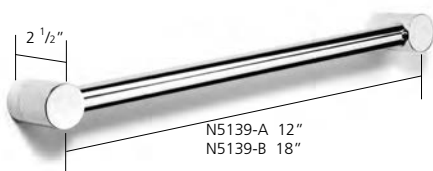
## N5094 Swivel towel rail



	<b>CP</b>	<b>PN</b>	<b>SN(us15)</b>	<b>BG</b>	<b>BGG</b>	<b>BGM</b>	<b>MBC</b>	<b>CTB</b>
	\$742	\$826	\$858	\$858	\$934	\$934	\$976	\$1,010

## N5139-A, B Grab rail

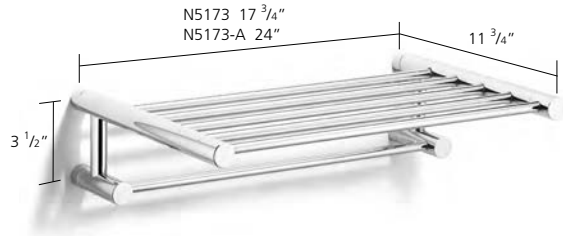
Fixing screws not supplied



	<b>N5139-A</b>	<b>-B</b>
<b>CP</b>	\$612	\$634
<b>PN</b>	\$676	\$698
<b>SN(us15)</b>	\$708	\$732
<b>BG</b>	\$708	\$732
<b>BGG</b>	\$772	\$796
<b>BGM</b>	\$772	\$796
<b>MBC</b>	\$806	\$826
<b>CTB</b>	\$838	\$858

# Xenon Accessories

**N5173, A** Towel shelf



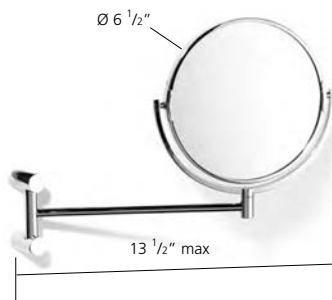
	<b>N5173</b>	<b>-A</b>
<b>CP</b>	\$1,456	\$1,478
<b>PN</b>	\$1,602	\$1,624
<b>SN(us15)</b>	\$1,686	\$1,706
<b>BG</b>	\$1,686	\$1,706
<b>BGG</b>	\$1,832	\$1,852
<b>BGM</b>	\$1,832	\$1,852
<b>MBC</b>	\$1,894	\$1,914
<b>CTB</b>	\$1,976	\$1,998

**L5148** Storage 360 - 3 shelves



<b>CP</b>	\$1,748
<b>PN</b>	\$1,914
<b>SN(us15)</b>	\$1,998
<b>BG</b>	\$1,998
<b>BGG</b>	\$2,184
<b>BGM</b>	\$2,184
<b>MBC</b>	\$2,268
<b>CTB</b>	\$2,350

**L5118** Pivotal mirror, plain/magnifying (x5)



<b>CP</b>	\$976
<b>SN(us15)</b>	\$1,144
<b>BG</b>	\$1,144
<b>BGG</b>	\$1,222
<b>BGM</b>	\$1,222
<b>MBC</b>	\$1,270
<b>CTB</b>	\$1,332

**L5326** Bathroom stand

- Frosted glass



<b>CP</b>	\$2,704
-----------	---------

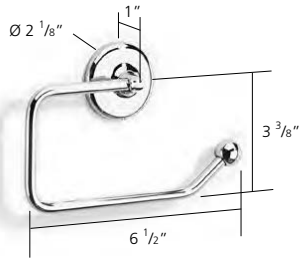


# Wall Mounted Accessories

Samuel Heath wall mounted accessories offer luxury, desirable practicality and a superb complement to our taps and showers.

# Novis Accessories

**N1037** Paper holder



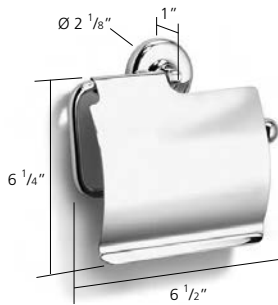
<b>CP</b>	\$292
<b>PN</b>	\$324
<b>PB</b>	\$344
<b>SN(US15)</b>	\$344
<b>NL</b>	\$344
<b>BG</b>	\$344
<b>BGG</b>	\$368
<b>BGM</b>	\$368
<b>CTB</b>	\$398
<b>AG</b>	\$420

**N1034** Soap holder



<b>CP</b>	\$324
<b>PN</b>	\$344
<b>PB</b>	\$368
<b>SN(US15)</b>	\$368
<b>NL</b>	\$368
<b>BG</b>	\$368
<b>BGG</b>	\$398
<b>BGM</b>	\$398
<b>CTB</b>	\$430
<b>AG</b>	\$452

**N1037-C** Paper holder



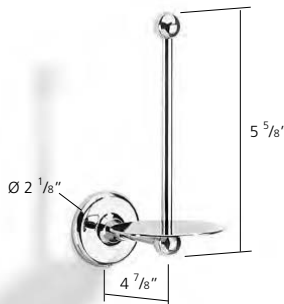
<b>CP</b>	\$484
<b>PN</b>	\$538
<b>SN(US15)</b>	\$558
<b>NL</b>	\$558
<b>BG</b>	\$558
<b>BGG</b>	\$612
<b>BGM</b>	\$612
<b>CTB</b>	\$656
<b>AG</b>	\$688

**L303** Wall mounted soap dispenser



<b>CP</b>	\$666
<b>PN</b>	\$742
<b>SN(US15)</b>	\$772
<b>NL</b>	\$772
<b>BG</b>	\$772
<b>BGG</b>	\$838
<b>BGM</b>	\$838
<b>CTB</b>	\$902
<b>AG</b>	\$946

**N1031** Spare paper holder



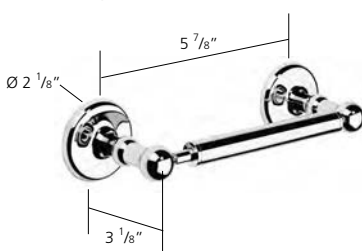
<b>CP</b>	\$368
<b>PN</b>	\$408
<b>PB</b>	\$420
<b>SN(US15)</b>	\$420
<b>NL</b>	\$420
<b>BG</b>	\$420
<b>BGG</b>	\$462
<b>BGM</b>	\$462
<b>CTB</b>	\$494
<b>AG</b>	\$516

**N1047** Liquid soap dispenser



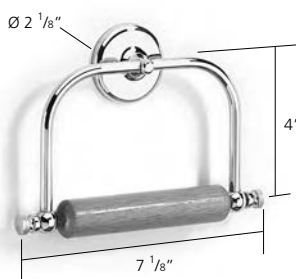
<b>CP</b>	\$368
<b>PN</b>	\$408
<b>PB</b>	\$430
<b>SN(US15)</b>	\$430
<b>NL</b>	\$430
<b>BG</b>	\$430
<b>BGG</b>	\$462
<b>BGM</b>	\$462
<b>CTB</b>	\$506
<b>AG</b>	\$528

**N1052** Paper holder



<b>CP</b>	\$528
<b>PN</b>	\$582
<b>PB</b>	\$602
<b>SN(US15)</b>	\$602
<b>NL</b>	\$602
<b>BG</b>	\$602
<b>BGG</b>	\$656
<b>BGM</b>	\$656
<b>CTB</b>	\$708
<b>AG</b>	\$742

**N1020** Paper holder



<b>CP</b>	\$484
<b>PN</b>	\$538
<b>SN(US15)</b>	\$558
<b>NL</b>	\$558
<b>BG</b>	\$558
<b>BGG</b>	\$612
<b>BGM</b>	\$612
<b>CTB</b>	\$656

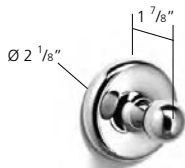
**N1035** Tumbler holder



<b>CP</b>	\$302
<b>PN</b>	\$324
<b>PB</b>	\$344
<b>SN(US15)</b>	\$344
<b>NL</b>	\$344
<b>BG</b>	\$344
<b>BGG</b>	\$368
<b>BGM</b>	\$368
<b>CTB</b>	\$398
<b>AG</b>	\$420

# Novis Accessories

**N1032** Robe hook



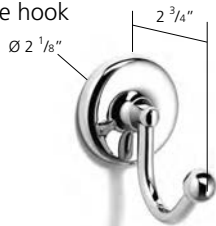
<b>CP</b>	\$194
<b>PN</b>	\$216
<b>PB</b>	\$226
<b>SN(us15)</b>	\$226
<b>NL</b>	\$226
<b>BG</b>	\$226
<b>BGG</b>	\$238
<b>BGM</b>	\$238
<b>CTB</b>	\$258
<b>AG</b>	\$270

**N1098-6, N1098-8** Towel ring



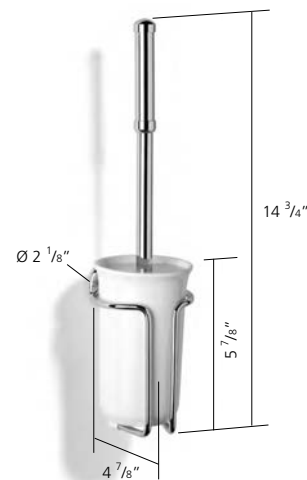
<b>N1098-6</b>	<b>-8</b>	
<b>CP</b>	\$292	\$334
<b>PN</b>	\$324	\$368
<b>PB</b>	\$334	-
<b>SN(us15)</b>	\$334	\$378
<b>NL</b>	\$334	\$378
<b>BG</b>	\$334	\$378
<b>BGG</b>	\$368	\$420
<b>BGM</b>	\$368	\$420
<b>CTB</b>	\$398	\$452
<b>AG</b>	\$408	-

**N1048** Robe hook



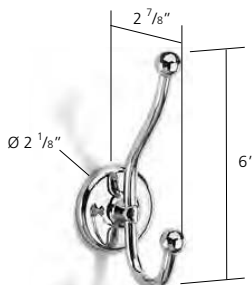
<b>CP</b>	\$228
<b>PN</b>	\$254
<b>PB</b>	\$268
<b>SN(us15)</b>	\$268
<b>NL</b>	\$268
<b>BG</b>	\$268
<b>BGG</b>	\$292
<b>BGM</b>	\$292
<b>CTB</b>	\$312
<b>AG</b>	\$324

**N1049** Wall mounted toilet brush



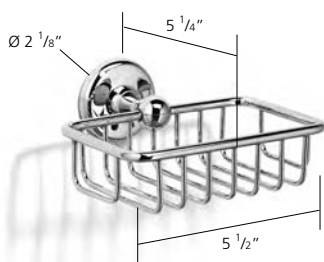
<b>CP</b>	\$568
<b>PN</b>	\$622
<b>PB</b>	\$656
<b>SN(us15)</b>	\$656
<b>NL</b>	\$656
<b>BG</b>	\$656
<b>BGG</b>	\$708
<b>BGM</b>	\$708
<b>CTB</b>	\$772
<b>AG</b>	\$806

**N1039** Double robe hook



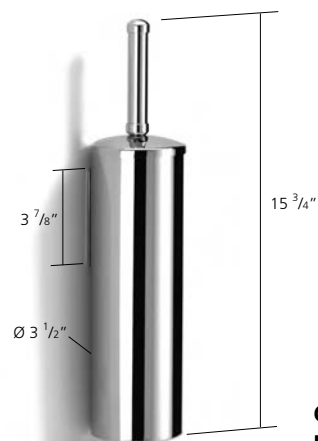
<b>CP</b>	\$312
<b>PN</b>	\$344
<b>PB</b>	\$368
<b>SN(us15)</b>	\$368
<b>NL</b>	\$368
<b>BG</b>	\$368
<b>BGG</b>	\$388
<b>BGM</b>	\$388
<b>CTB</b>	\$420
<b>AG</b>	\$442

**N1030** Soap basket



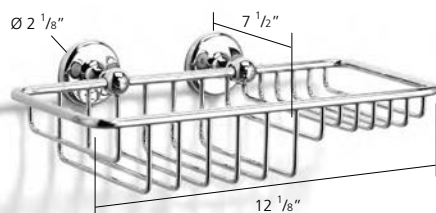
<b>CP</b>	\$408
<b>PN</b>	\$452
<b>PB</b>	\$474
<b>SN(us15)</b>	\$474
<b>NL</b>	\$474
<b>BG</b>	\$474
<b>BGG</b>	\$516
<b>BGM</b>	\$516
<b>CTB</b>	\$558
<b>AG</b>	\$582

**L42** Wall mounted toilet brush



<b>CP</b>	\$592
<b>PN</b>	\$656
<b>SN(us15)</b>	\$688
<b>NL</b>	\$688
<b>BG</b>	\$688
<b>BGG</b>	\$742
<b>BGM</b>	\$742
<b>CTB</b>	\$806

**N1026-W** Soap/sponge basket

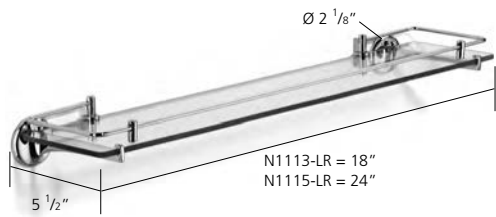


<b>CP</b>	\$848
<b>PN</b>	\$934
<b>SN(us15)</b>	\$976
<b>NL</b>	\$976
<b>BG</b>	\$976
<b>BGG</b>	\$1,062
<b>BGM</b>	\$1,062
<b>CTB</b>	\$1,166
<b>AG</b>	\$1,208

# Novis Accessories

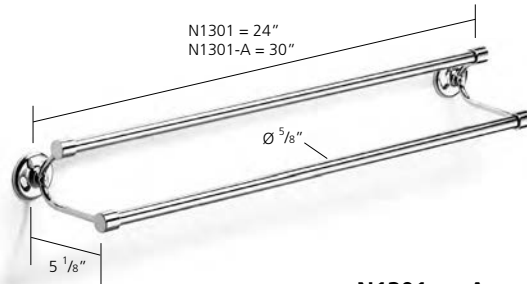
## N1113-LR, N1115-LR Glass shelf with lifting rail

- Clear glass



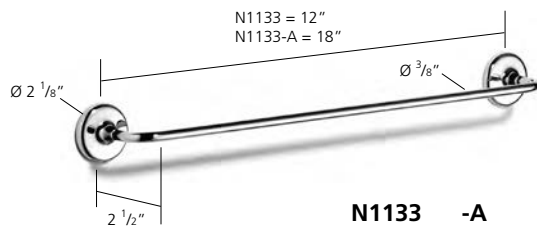
	N1113-LR	N1115-LR
CP	\$1,270	\$1,312
PN	\$1,394	\$1,436
SN(us15)	\$1,478	\$1,520
NL	\$1,478	\$1,520
BG	\$1,478	\$1,520
BGG	\$1,602	\$1,644
BGM	\$1,602	\$1,644
CTB	\$1,728	\$1,768
AG	\$1,810	-

## N1301, A Double towel rail



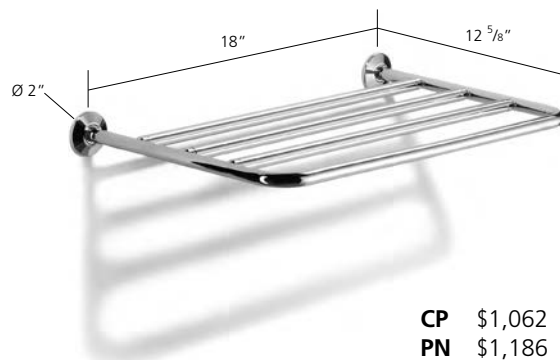
	N1301	-A
CP	\$752	\$784
PN	\$826	-
PB	\$858	-
SN(us15)	\$858	-
NL	\$858	-
BG	\$858	-
BGG	\$934	-
BGM	\$934	-
CTB	\$1,010	-
AG	\$1,062	\$1,124

## N1133, A Towel rail



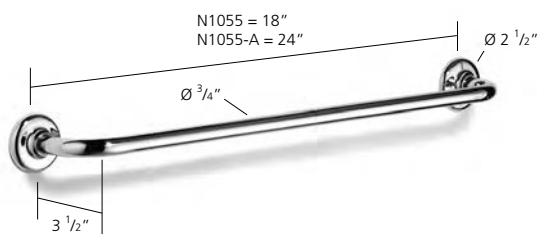
	N1133	-A
CP	\$462	\$484
PN	\$506	\$528
SN(us15)	\$538	\$558
NL	\$538	\$558
BG	\$538	\$558
BGG	\$582	\$602
BGM	\$582	\$602
CTB	\$622	\$656

## N9736 Towel shelf



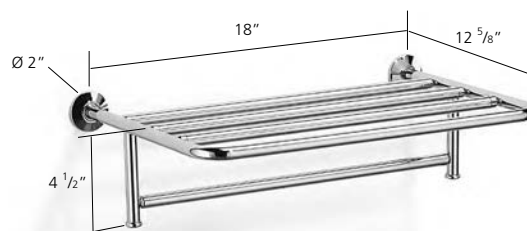
CP	\$1,062
PN	\$1,186

## N1055, A Towel rail



	N1055	-A
CP	\$612	\$634
PN	\$676	\$698
PB	\$708	\$732
SN(us15)	\$708	\$732
NL	\$708	\$732
BG	\$708	\$732
BGG	\$772	\$796
BGM	\$772	\$796
CTB	\$826	\$858
AG	\$870	\$902

## N9736-B Towel shelf

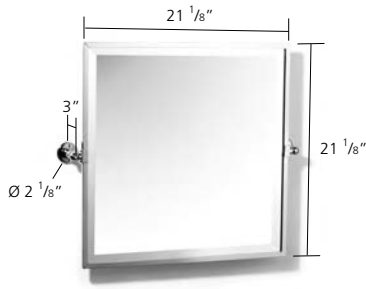


CP	\$1,498
PN	\$1,644



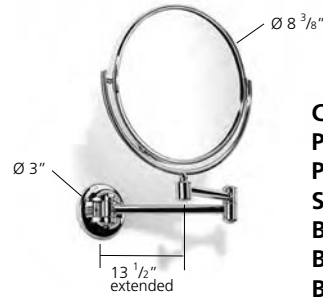
# Novis Accessories

**L1149** Framed bevelled tilting mirror



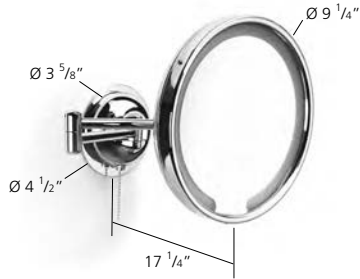
<b>CP</b>	\$2,206
<b>PN</b>	\$2,414
<b>SN(us15)</b>	\$2,538
<b>NL</b>	\$2,538
<b>BG</b>	\$2,538
<b>BGG</b>	\$2,746
<b>BGM</b>	\$2,746
<b>CTB</b>	\$2,976

**L115** Pivotal mirror, plain/magnifying (x3)



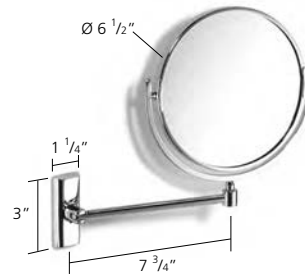
<b>CP</b>	\$1,520
<b>PN</b>	\$1,686
<b>PB</b>	\$1,748
<b>SN(us15)</b>	\$1,748
<b>BG</b>	\$1,748
<b>BGG</b>	\$1,914
<b>BGM</b>	\$1,914
<b>CTB</b>	\$2,060
<b>AG</b>	\$2,144

**N514-3** Double arm LED illuminated magnifying (x5) pivotal mirror UL approved



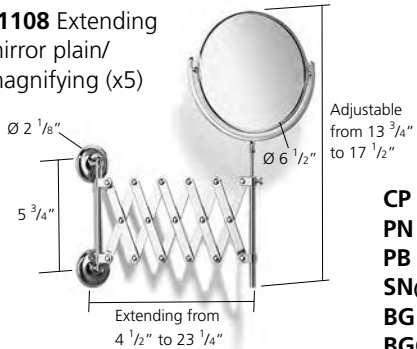
<b>CP</b>	\$3,016
<b>PN</b>	\$3,328
<b>SN(us15)</b>	\$3,474
<b>BG</b>	\$3,474
<b>BGG</b>	\$3,766
<b>BGM</b>	\$3,766
<b>CTB</b>	\$4,078

**L118** Pivotal mirror, plain/magnifying (x5)



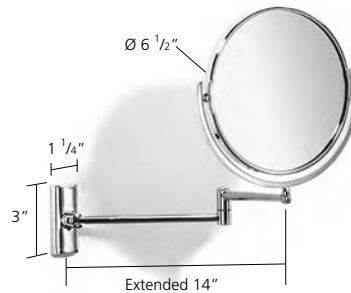
<b>CP</b>	\$912
-----------	-------

**L1108** Extending mirror plain/magnifying (x5)



<b>CP</b>	\$1,976
<b>PN</b>	\$2,184
<b>PB</b>	\$2,268
<b>SN(us15)</b>	\$2,268
<b>BG</b>	\$2,268
<b>BGG</b>	\$2,476
<b>BGM</b>	\$2,476
<b>CTB</b>	\$2,662
<b>AG</b>	\$2,788

**L114** Pivotal mirror, plain/magnifying (x5)



<b>CP</b>	\$1,062
<b>PN</b>	\$1,186

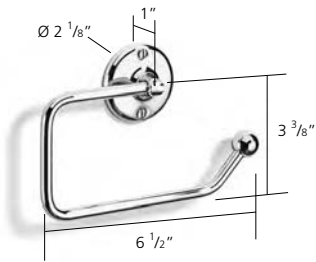
**L119** Pivotal mirror, plain/magnifying (x3)



<b>CP</b>	\$1,352
-----------	---------

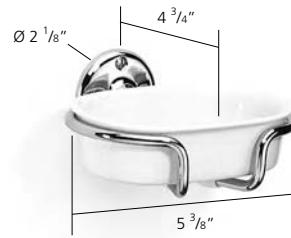
# Curzon Accessories

**N37** Paper holder



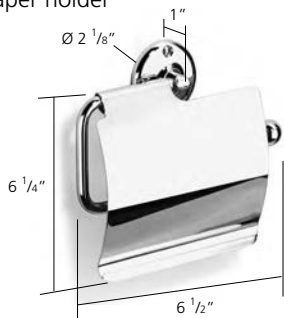
**CP** \$258  
**PN** \$290  
**PB** \$302  
**AG** \$368

**N34** Soap holder



**CP** \$292  
**PN** \$324  
**PB** \$344  
**AG** \$420

**N37-C** Paper holder



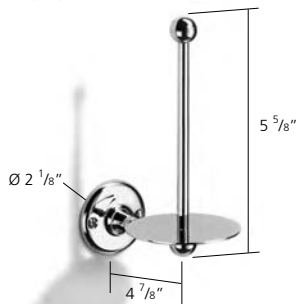
**CP** \$408  
**PN** \$452  
**PB** \$474

**N47** Liquid soap dispenser



**CP** \$344  
**PN** \$388  
**PB** \$398  
**AG** \$494

**N31** Spare paper holder



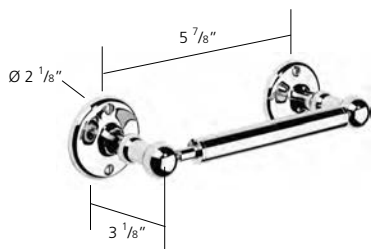
**CP** \$344  
**PN** \$378  
**PB** \$398  
**AG** \$484

**N35** Tumbler holder



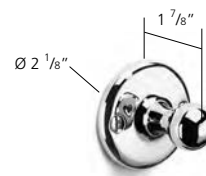
**CP** \$292  
**PN** \$324  
**PB** \$334  
**NL** \$334  
**AG** \$420

**N52** Paper holder



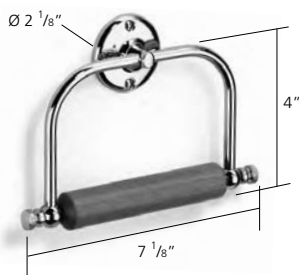
**CP** \$474  
**PN** \$516  
**PB** \$538  
**AG** \$666

**N32** Robe hook



**CP** \$164  
**PB** \$192  
**AG** \$228

**N20** Paper holder



**CP** \$474  
**PN** \$516  
**NL** \$538

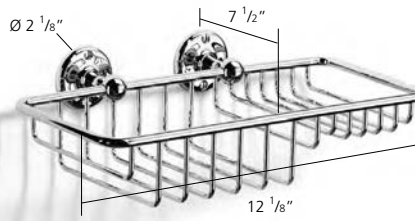
# Curzon Accessories

**N48** Robe hook



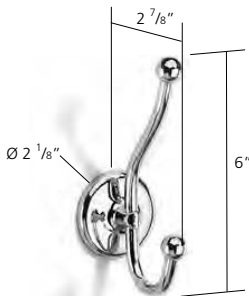
**CP** \$216  
**PN** \$238  
**PB** \$248  
**AG** \$302

**N26-W** Soap/sponge basket



**CP** \$772  
**PN** \$848  
**PB** \$892  
**AG** \$1,104

**N39** Double robe hook



**CP** \$280  
**PN** \$312  
**PB** \$324  
**AG** \$398

**N1049** Wall mounted toilet brush



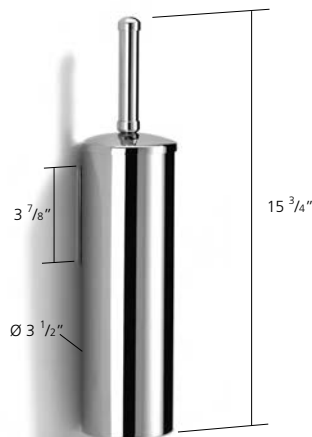
**CP** \$568  
**PN** \$622  
**PB** \$656  
**SN(us15)** \$656  
**AG** \$806

**N98-6** Towel ring



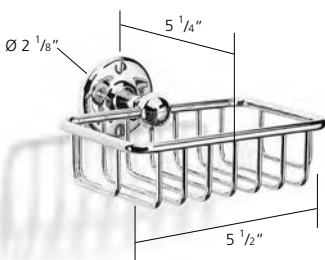
**CP** \$270  
**PN** \$302  
**PB** \$312  
**AG** \$388

**L42** Wall mounted toilet brush



**CP** \$592  
**PN** \$656  
**SN(us15)** \$688  
**NL** \$688

**N30** Soap basket



**CP** \$388  
**PN** \$430  
**AG** \$548

# Curzon Accessories

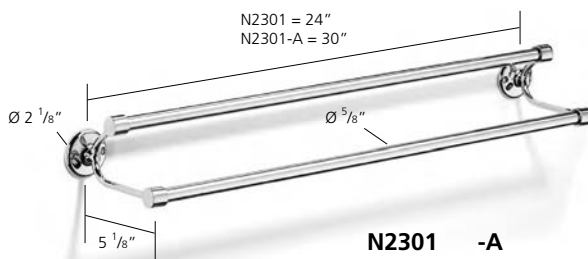
## N2113, N2114 Glass shelf with fixed rail

- Clear glass



	N2113	N2114
<b>CP</b>	\$816	\$880
<b>PN</b>	\$902	-
<b>PB</b>	\$934	-
<b>AG</b>	\$1,166	-

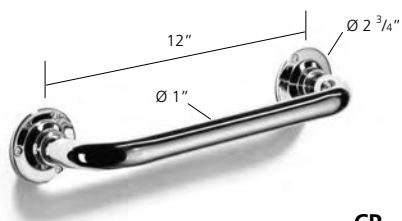
## N2301, A Double towel rail



	N2301	-A
<b>CP</b>	\$742	\$752
<b>PN</b>	\$816	\$826
<b>PB</b>	\$848	-
<b>AG</b>	\$1,040	\$1,062

## N19-B Grab rail

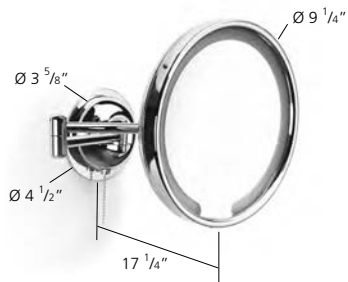
*Fixing screws are not supplied*



<b>CP</b>	\$452
<b>PN</b>	\$506
<b>PB</b>	\$528
<b>AG</b>	\$644

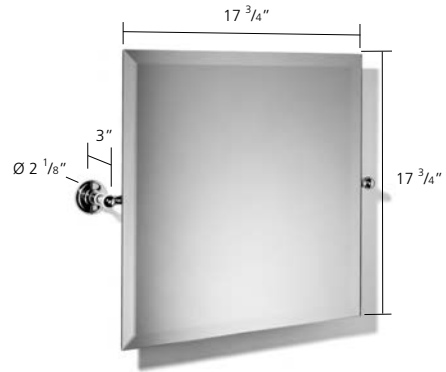
# Curzon Accessories

**N514-3** Double arm LED illuminated magnifying (x5) pivotal mirror UL approved



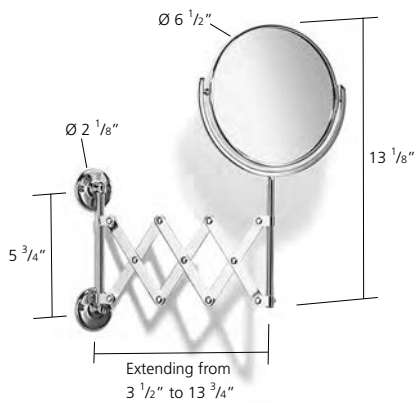
<b>CP</b>	\$3,016
<b>PN</b>	\$3,328
<b>SN(us15)</b>	\$3,474
<b>BG</b>	\$3,474
<b>BGG</b>	\$3,766
<b>BGM</b>	\$3,766
<b>CTB</b>	\$4,078

**L1143** Tilting mirror



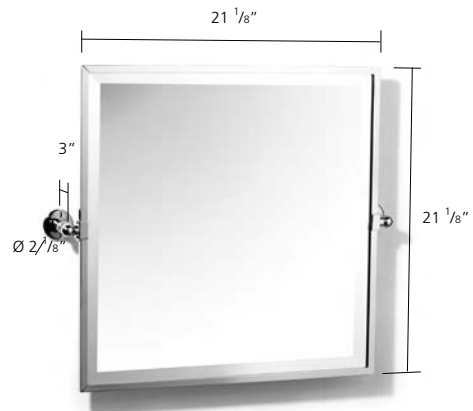
<b>CP</b>	\$880
<b>PN</b>	\$966
<b>SN(us15)</b>	\$1,010
<b>NL</b>	\$1,010
<b>BG</b>	\$1,010
<b>BGG</b>	\$1,104
<b>BGM</b>	\$1,104
<b>CTB</b>	\$1,208

**L110** Extending mirror plain/magnifying (x5)



<b>CP</b>	\$1,478
<b>PN</b>	\$1,624
<b>PB</b>	\$1,706
<b>AG</b>	\$2,080

**L1149** Framed bevelled tilting mirror



<b>CP</b>	\$2,206
<b>PN</b>	\$2,414
<b>SN(us15)</b>	\$2,538
<b>NL</b>	\$2,538
<b>BG</b>	\$2,538
<b>BGG</b>	\$2,746
<b>BGM</b>	\$2,746
<b>CTB</b>	\$2,976

# Curzon Accessories

## L1145, XL Tilting mirror



	<b>L1145 -XL</b>	
<b>CP</b>	\$966	\$1,248
<b>PN</b>	\$1,062	\$1,374
<b>PB</b>	\$1,124	-
<b>SN(us15)</b>	\$1,124	\$1,456
<b>NL</b>	\$1,124	\$1,456
<b>BG</b>	\$1,124	\$1,456
<b>BGG</b>	\$1,228	\$1,560
<b>BGM</b>	\$1,228	\$1,560
<b>CTB</b>	\$1,312	\$1,686
<b>AG</b>	\$1,374	\$1,768

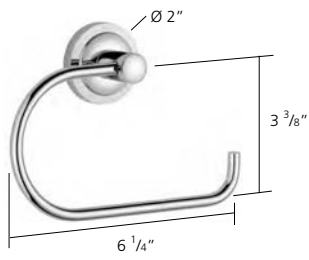
## L1146, XL Tilting mirror



	<b>L1146 -XL</b>	
<b>CP</b>	\$956	\$1,248
<b>PN</b>	\$1,062	\$1,374
<b>PB</b>	\$1,124	-
<b>SN(us15)</b>	\$1,124	\$1,436
<b>NL</b>	\$1,124	\$1,436
<b>BG</b>	\$1,124	\$1,436
<b>BGG</b>	\$1,208	\$1,560
<b>BGM</b>	\$1,208	\$1,560
<b>CTB</b>	\$1,312	\$1,686
<b>AG</b>	\$1,352	\$1,768

# INTRO Series 7000

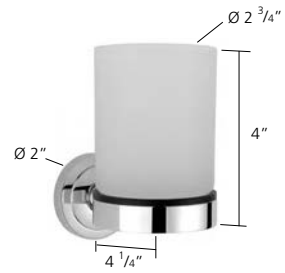
**N7037** Paper holder



**CP** \$138

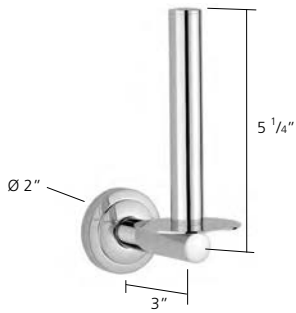
**N7035** Tumbler holder

• Frosted glass



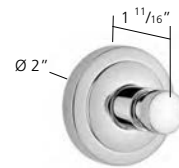
**CP** \$156

**N7041** Spare paper holder



**CP** \$192

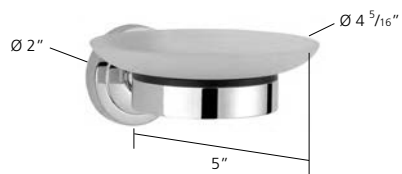
**N7032** Robe hook



**CP** \$86

**N7034** Soap dish

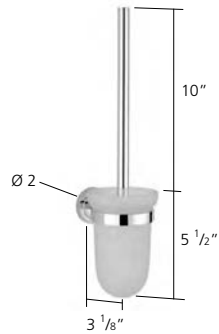
• Frosted glass



**CP** \$156

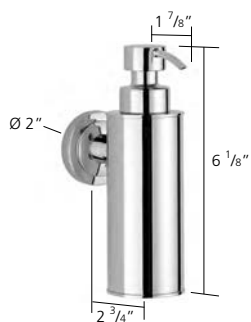
**N7049** Wall mounted toilet brush

• Frosted glass



**CP** \$260

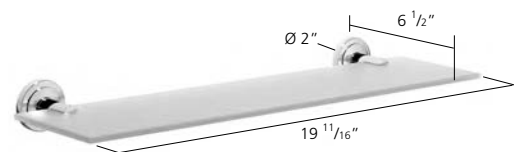
**N7047** Liquid soap dispenser



**CP** \$368

**N7043** Glass shelf

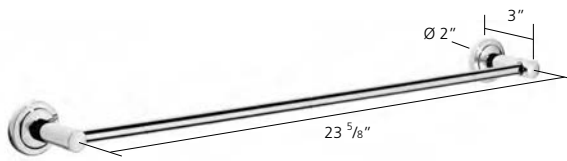
• Frosted glass



**CP** \$274

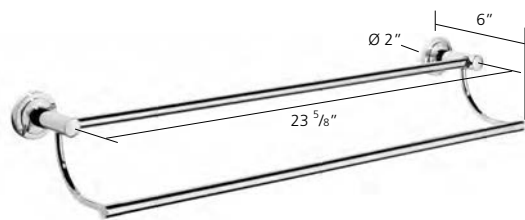
# INTRO Series 7000

**N7051** Towel rail



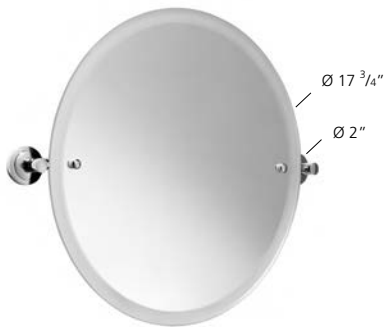
**CP** \$324

**N7052** Double towel rail



**CP** \$442

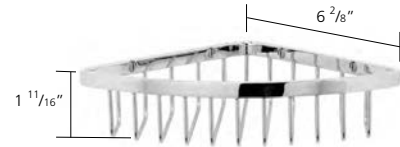
**N7060** Tilting mirror



**CP** \$674

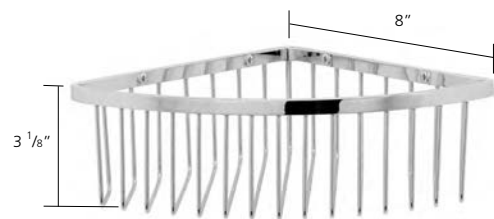
# INTRO Shower Accessories

**N7902** Corner shower basket (small) visible fix



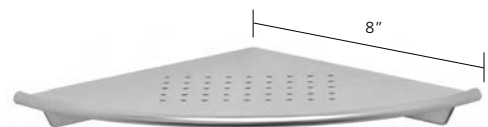
**CP** \$194

**N7905** Corner shower basket (large) visible fix



**CP** \$302

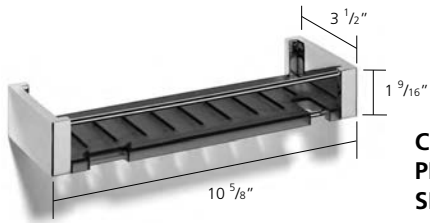
**N7913** Stainless steel corner shelf



**SS** \$302

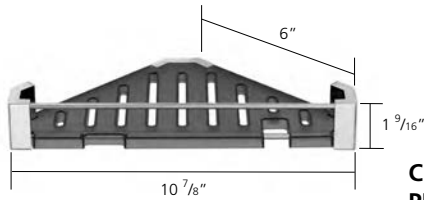
# Shower Accessories - Concealed fix, lift off baskets

**N171-SG** Rectangular shower basket



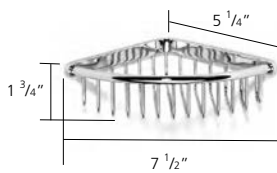
<b>CP</b>	\$506
<b>PN</b>	\$558
<b>SN(us15)</b>	\$582

**N172-SG** Corner shower basket



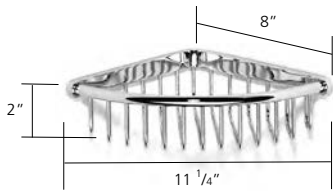
<b>CP</b>	\$506
<b>PN</b>	\$558
<b>SN(us15)</b>	\$582

**N156** Corner shower basket



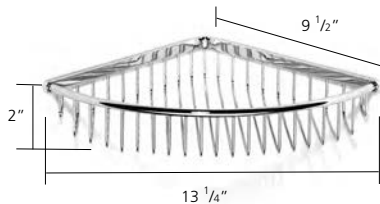
<b>CP</b>	\$388
<b>PN</b>	\$420
<b>PB</b>	\$442
<b>SN(us15)</b>	\$442

**N156-XL** Corner shower basket



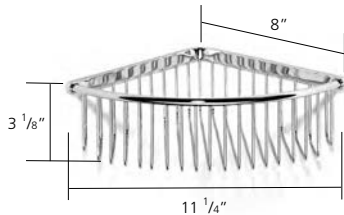
<b>CP</b>	\$506
<b>PN</b>	\$548
<b>PB</b>	\$582
<b>SN(us15)</b>	\$582
<b>AG</b>	\$720

**N156-GXL** Corner shower basket



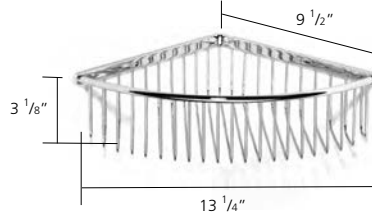
<b>CP</b>	\$676
<b>PN</b>	\$752
<b>SN(us15)</b>	\$784

**N158-XL** Corner shower basket



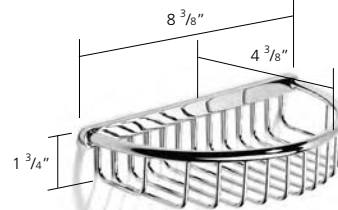
<b>CP</b>	\$506
<b>PN</b>	\$558
<b>PB</b>	\$582
<b>SN(us15)</b>	\$582
<b>NL</b>	\$582
<b>URB</b>	\$582
<b>BG</b>	\$582
<b>BGG</b>	\$634
<b>BGM</b>	\$634
<b>MBC</b>	\$656
<b>CTB</b>	\$676
<b>CNB</b>	\$676
<b>AG</b>	\$720

**N158-GXL** Corner shower basket



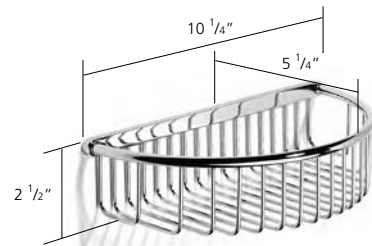
<b>CP</b>	\$676
<b>PN</b>	\$752
<b>SN(us15)</b>	\$784
<b>NL</b>	\$784
<b>BG</b>	\$784
<b>BGG</b>	\$848
<b>BGM</b>	\$848
<b>MBC</b>	\$892
<b>CTB</b>	\$922

**N154** Shower basket



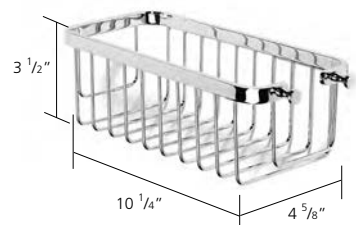
<b>CP</b>	\$452
<b>PN</b>	\$494
<b>SN(us15)</b>	\$516

**N154-XL** Shower basket



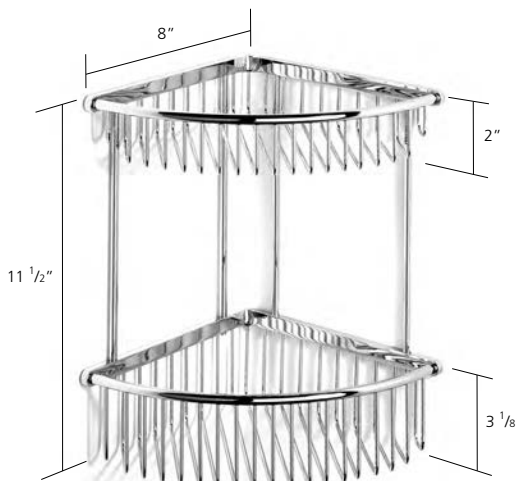
<b>CP</b>	\$538
<b>PN</b>	\$592
<b>SN(us15)</b>	\$622
<b>AG</b>	\$772

**N152** Shower basket



<b>CP</b>	\$656
<b>PN</b>	\$720
<b>SN(us15)</b>	\$752
<b>AG</b>	\$946

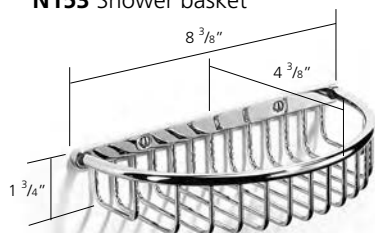
**N24** Double corner shower basket



<b>CP</b>	\$1,498
-----------	---------

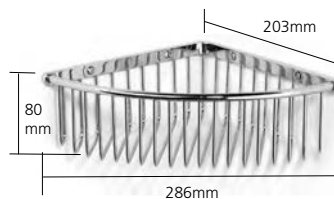
# Shower Accessories - Visible fix baskets

**N153** Shower basket



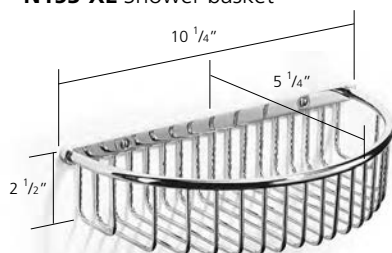
<b>CP</b>	\$452
<b>PN</b>	\$494
<b>SN(us15)</b>	\$516

**N151-XL** Corner shower basket



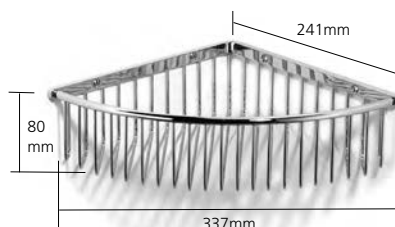
<b>CP</b>	\$506
<b>PN</b>	\$548
<b>PB</b>	\$582
<b>SN(us15)</b>	\$582
<b>CTB</b>	\$688
<b>AG</b>	\$720

**N153-XL** Shower basket



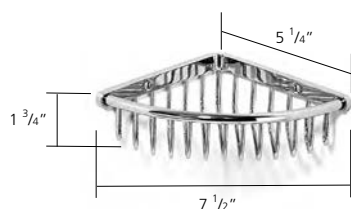
<b>CP</b>	\$538
<b>PN</b>	\$592
<b>SN(us15)</b>	\$622
<b>AG</b>	\$772

**N151-GXL** Corner shower basket



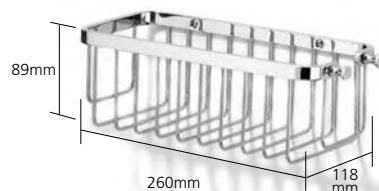
<b>CP</b>	\$676
<b>PN</b>	\$752
<b>PB</b>	\$784
<b>SN(us15)</b>	\$784
<b>AG</b>	\$976

**N36** Corner shower basket



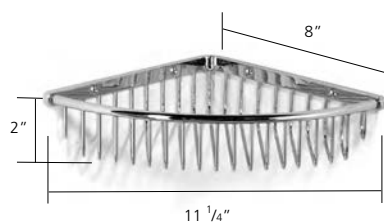
<b>CP</b>	\$388
<b>PN</b>	\$430
<b>PB</b>	\$442
<b>SN(us15)</b>	\$442
<b>AG</b>	\$548

**N28** Shower basket



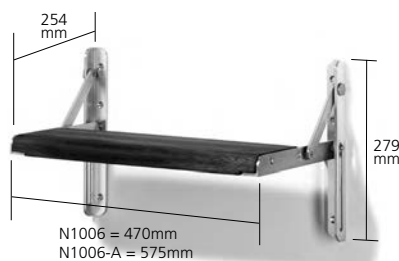
<b>CP</b>	\$688
<b>PN</b>	\$762
<b>PB</b>	\$796
<b>AG</b>	\$976

**N36-XL** Corner shower basket



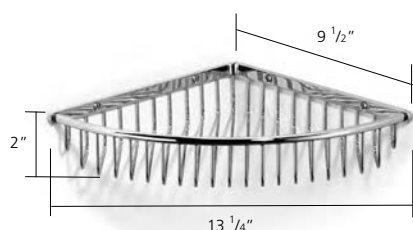
<b>CP</b>	\$506
<b>PN</b>	\$558
<b>PB</b>	\$582
<b>SN(us15)</b>	\$582
<b>AG</b>	\$720

**N1006, A** Folding shower seats



*Fixing screws not supplied*

**N36-GXL** Corner shower basket



<b>CP</b>	\$688
<b>PN</b>	\$752
<b>SN(us15)</b>	\$796

	<b>N1006</b>	<b>-A</b>
<b>SA</b> satin silver	\$1,030	\$1,124

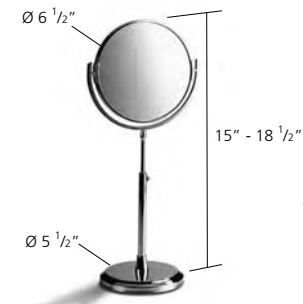


# Freestanding Accessories

Beauty and solidity are the defining characteristics of Samuel Heath's freestanding bathroom accessories collection. Classic and contemporary designs are offered as perfect counterparts to our taps and showers. From such necessities as soap and toothbrush holders to striking towel stands, these accessories are the final elements that can make any bathroom complete.

# Freestanding Accessories

**L107** Mirror plain/magnifying (x5) adjustable height



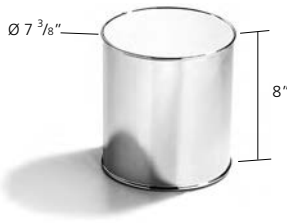
<b>CP</b>	\$998
<b>PN</b>	\$1,124
<b>PB</b>	\$1,166
<b>SN(us15)</b>	\$1,166
<b>AG</b>	\$1,416

**L302** Liquid soap dispenser



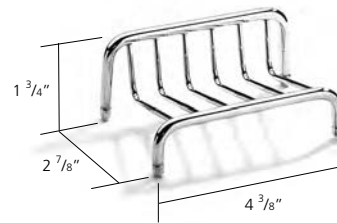
<b>CP</b>	\$568
<b>PN</b>	\$622
<b>PB</b>	\$656
<b>SN(us15)</b>	\$656
<b>MBC</b>	\$742
<b>AG</b>	\$796

**L10** Bathroom bin



<b>CP</b>	\$602
<b>PN</b>	\$666
<b>PB</b>	\$688
<b>SN(us15)</b>	\$688
<b>MBC</b>	\$784
<b>AG</b>	\$848

**N29** Soap rack



<b>CP</b>	\$258
<b>PN</b>	\$280
<b>SN(us15)</b>	\$292
<b>AG</b>	\$368

**L12** Bathroom bin with lid



<b>CP</b>	\$922
<b>PN</b>	\$1,020
<b>PB</b>	\$1,062
<b>SN(us15)</b>	\$1,062
<b>NL</b>	\$1,062
<b>MBC</b>	\$1,208
<b>AG</b>	\$1,312

**L64** Soap holder



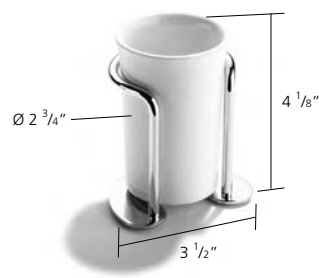
<b>CP</b>	\$344
<b>PN</b>	\$378
<b>SN(us15)</b>	\$388
<b>AG</b>	\$474

**L66** Liquid soap dispenser



<b>CP</b>	\$354
<b>PN</b>	\$388
<b>SN(us15)</b>	\$408
<b>AG</b>	\$474

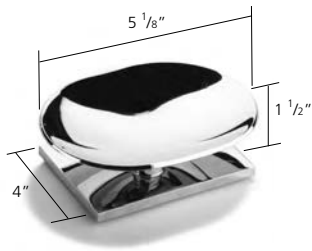
**L65** Tumbler holder



<b>CP</b>	\$312
<b>PN</b>	\$344
<b>SN(us15)</b>	\$354
<b>AG</b>	\$440

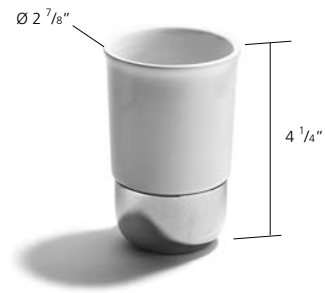
# Freestanding Accessories

**L140** Soap holder



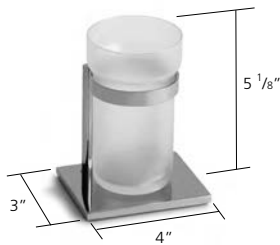
<b>CP</b>	\$452
<b>PN</b>	\$506
<b>SN(us15)</b>	\$528
<b>MBC</b>	\$592
<b>AG</b>	\$644

**L77** Tumbler holder



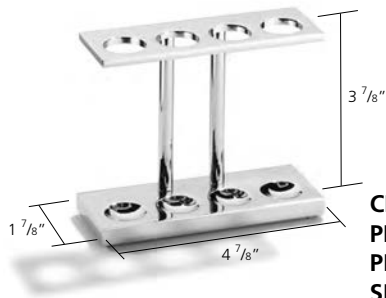
<b>CP</b>	\$152
-----------	-------

**L141** Tumbler holder



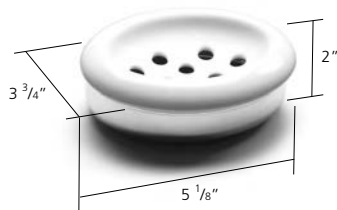
<b>CP</b>	\$442
<b>PN</b>	\$494
<b>PB</b>	\$516
<b>SN(us15)</b>	\$516
<b>MBC</b>	\$582
<b>AG</b>	\$622

**L142** Toothbrush holder



<b>CP</b>	\$408
<b>PN</b>	\$452
<b>PB</b>	\$474
<b>SN(us15)</b>	\$474
<b>MBC</b>	\$538
<b>AG</b>	\$582

**L76** Soap holder



<b>CP</b>	\$248
-----------	-------

# Freestanding Accessories

**N6664W** Soap holder - white ceramic STYLE MODERNE



<b>CP</b>	\$368
<b>PN</b>	\$408
<b>SN(us15)</b>	\$420
<b>NL</b>	\$420
<b>CTB</b>	\$494
<b>CNB</b>	\$494
<b>AG</b>	\$516

**N6664B** Soap holder - black ceramic STYLE MODERNE



<b>CP</b>	\$368
<b>PN</b>	\$408
<b>SN(us15)</b>	\$420
<b>NL</b>	\$420
<b>CTB</b>	\$494
<b>CNB</b>	\$494
<b>AG</b>	\$516

**N6666W** Liquid soap dispenser - white ceramic STYLE MODERNE



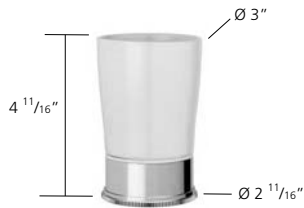
<b>CP</b>	\$408
<b>PN</b>	\$442
<b>SN(us15)</b>	\$462
<b>NL</b>	\$462
<b>CTB</b>	\$548
<b>CNB</b>	\$548
<b>AG</b>	\$568

**N6666B** Liquid soap dispenser - black ceramic STYLE MODERNE



<b>CP</b>	\$408
<b>PN</b>	\$442
<b>SN(us15)</b>	\$462
<b>NL</b>	\$462
<b>CTB</b>	\$548
<b>CNB</b>	\$548
<b>AG</b>	\$568

**N6665W** Tumbler holder - white ceramic STYLE MODERNE



<b>CP</b>	\$354
<b>PN</b>	\$388
<b>SN(us15)</b>	\$408
<b>NL</b>	\$408
<b>CTB</b>	\$484
<b>CNB</b>	\$484
<b>AG</b>	\$506

**N6665B** Tumbler holder - black ceramic STYLE MODERNE



<b>CP</b>	\$354
<b>PN</b>	\$388
<b>SN(us15)</b>	\$408
<b>NL</b>	\$408
<b>CTB</b>	\$484
<b>CNB</b>	\$484
<b>AG</b>	\$506

**N9564** Soap holder - *Fairfield*



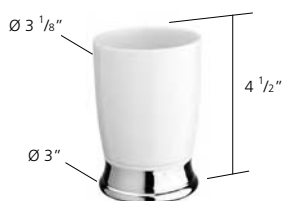
<b>CP</b>	\$354
<b>PN</b>	\$388
<b>SN(us15)</b>	\$408
<b>NL</b>	\$408
<b>CTB</b>	\$474
<b>CNB</b>	\$474
<b>AG</b>	\$494

**N9566** Liquid soap dispenser - *Fairfield*



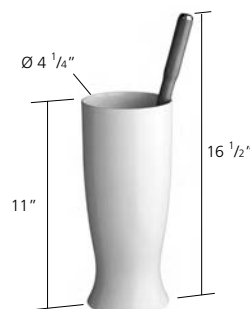
<b>CP</b>	\$398
<b>PN</b>	\$442
<b>SN(us15)</b>	\$462
<b>NL</b>	\$462
<b>CTB</b>	\$548
<b>CNB</b>	\$548
<b>AG</b>	\$568

**N9565** Tumbler holder - *Fairfield*



<b>CP</b>	\$354
<b>PN</b>	\$388
<b>SN(us15)</b>	\$408
<b>NL</b>	\$408
<b>CTB</b>	\$474
<b>CNB</b>	\$474
<b>AG</b>	\$494

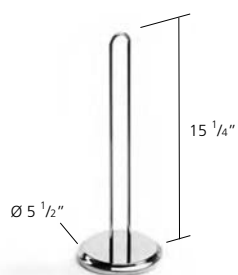
**N9549** Toilet brush set - *Fairfield*



<b>CP</b>	\$280
<b>PN</b>	\$312
<b>SN(us15)</b>	\$324
<b>NL</b>	\$324
<b>CTB</b>	\$388
<b>CNB</b>	\$388
<b>AG</b>	\$398

# Freestanding Accessories

**L232** Spare paper holder



<b>CP</b>	\$420
<b>PN</b>	\$462
<b>PB</b>	\$494
<b>NL</b>	\$494
<b>AG</b>	\$592

**L49** Toilet brush

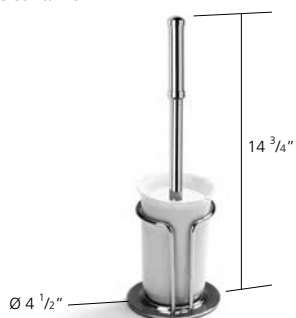
Ceramic container



<b>CP</b>	\$378
<b>PN</b>	\$420
<b>PB</b>	\$442
<b>SN(us15)</b>	\$442
<b>AG</b>	\$538

**L40** Toilet brush

Ceramic container



<b>CP</b>	\$538
<b>PN</b>	\$602
<b>PB</b>	\$622
<b>AG</b>	\$762

**L233** Combination set

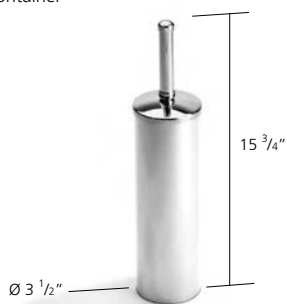
Ceramic container



<b>CP</b>	\$1,248
<b>PN</b>	\$1,352
<b>PB</b>	\$1,416
<b>AG</b>	\$1,728

**L44** Toilet brush

Metal container



<b>CP</b>	\$548
<b>PN</b>	\$602
<b>PB</b>	\$634
<b>SN(us15)</b>	\$634
<b>NL</b>	\$634
<b>AG</b>	\$762

**L228** Paper holder



<b>CP</b>	\$612
<b>PN</b>	\$676
<b>PB</b>	\$708
<b>SN(us15)</b>	\$708
<b>NL</b>	\$708
<b>AG</b>	\$870

**L41** Toilet brush

Ceramic container



<b>CP</b>	\$644
<b>PN</b>	\$708
<b>PB</b>	\$742
<b>AG</b>	\$902

# Freestanding Accessories

**L908** Towel stand



<b>CP</b>	\$3,392
<b>PN</b>	\$3,744
<b>PB</b>	\$3,912
<b>SN(us15)</b>	\$3,912
<b>AG</b>	\$4,764

---

**L5326** Bathroom stand



<b>CP</b>	\$2,704
-----------	---------

---

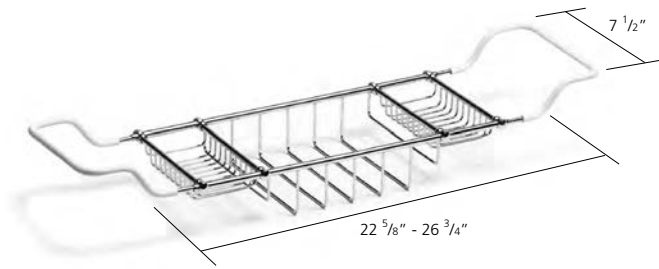
**L928** Trolley



<b>CP</b>	\$2,912
<b>PN</b>	\$3,204

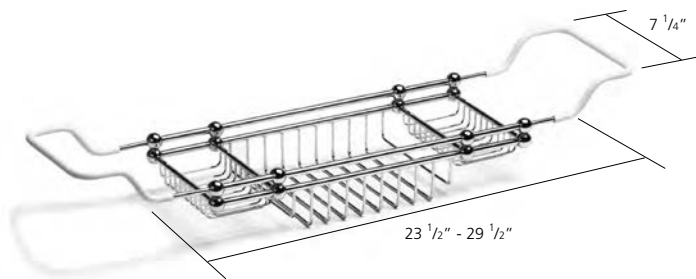
# Freestanding Accessories

**N328** Soap and sponge tray



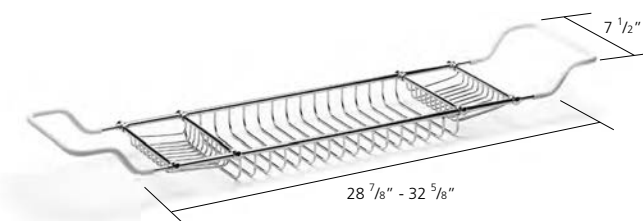
<b>CP</b>	\$1,332
<b>PN</b>	\$1,456
<b>PB</b>	\$1,520
<b>SN<sup>(US15)</sup></b>	\$1,520
<b>AG</b>	\$1,872

**N331** Soap and sponge tray



<b>CP</b>	\$1,872
<b>AG</b>	\$2,622

**N334** Soap and sponge tray extra wide



<b>CP</b>	\$1,520
<b>PN</b>	\$1,664
<b>PB</b>	\$1,748
<b>AG</b>	\$2,144

## Freestanding Accessories



Above: **L12** Bathroom bin with lid in **CP**

Right: **N6664B** Soap holder, **N6666B** Liquid soap dispenser and **N6665B** Tumbler holder all in **CP**



# Spares

	White ceramic	Black ceramic	CP	PN	AG	SN(US15)	CNB /CTB	MBC	PB	No finish
<b>Soap dishes and dispensers</b>										
L9810 Dish for L76	110									
L9812 Soap dish for N34, L64, L91, N1034, N4334	82									
L9827 Glass Soap dish for N7634										136
L9837 Soap dish for N6634	126	126								
L9870 Soap dish for N4234	124									
L9880 Soap dish for N9534, N9564	92									
L9838 Bottle for L302,L303, L5304, L5150										28
L9860 Glass for N5034										102
L9872 Container for N4247										138
L9873 Pump for N4247 (Also suits N9566, N47, N1047, L66, N6647)			62	76	90	76			76	
L9874 Container for N47, N1047, L66, N4347	116									
L9875 Soap dispenser pump for N5304, L5150			388	430		452				
L9876 Soap dispenser for N9566	124									
L9877 Bottle pump and top for L302, L303			398	442	582	462				
L9878 Container for N6647	138									
L9879 Soap Dispenser pump for N5305			344	386		408				
N7071 Glass Soap Dish for N7034										72
N7074 Soap bottle and plunger for N7047			152							
<b>Tumblers</b>										
L9809 for L77, L91	62									
L9811 for N35, N45, L65, L78, L81, L91, N1035, N1045, N4335	88									
L9826 for N6635	160	160								
L9828 for N7635										130
L9871 for N4235	160									
L9881 for N9535, N9565	82									
L9861 for N5035										172
L9862 for L141, N5045, L5150										172
N7072 Glass Tumbler for N7035										72
<b>Toilet brush sets</b>										
L9802 Metal stem, flange and brush head for L40, N1049			94	106	132	112			112	
L9802-HN Handle, stem, flange and brush head for L40, N1049			188	216	270	228			228	
L9803 Metal stem and brush head for L41,L42,L44,L49,L233,L234,L5042,L5044, L7642, L7644			90	100	120	102			102	
L9803-HN Handle, stem and brush head for L42, L44			280	302	388	324			324	
L9803-HX Handle, stem and brush head for L5042, L5044			270	302		312				
L9804-GB Spare Stem, Black Flange and Brush Head for N6649B			198	228	280	238				
L9804-GW Spare Stem, White Flange and Brush Head for N6649W			194	216	280	228				
L9829-H Handle, stem and brush head for L41, L49, L233, L234			280							
L9813 Container for L40, N1049	156									
L9814 Container for L49	146									
L9815 Container for L41, L233, L234	146									
L9816 Container for N6649	164	164								
L9884 Container and insert for N9549	228									
L9885 Brush head and handle for N9549			102	114		116				
L9886 Brush head only for N9549										40
N7075 Glass toilet brush holder for N7049										102
N7078 Brush head for all other brushes										40
N7079 Brush head only for N7049										40
N9804 Allthread to fix spare brush head to the handle										20

# Spares

	White ceramic	CP	PN	AG	SN(US15)	MBC	PB	No finish
<b>Mirrors</b>								
L9821 Plain mirror for 165mm (6.5") dia								56
L9822 Magnifying mirror for 165mm (6.5") dia								84
L9864 Magnifying mirror for N509-1, N510-1, N509-3, N510-3								176
L9865 Spare bulb for N509-1, N510-1								102
L9866 Plain mirror for L115, L119								56
L9867 Magnifying mirror L115, L119								124
<b>Other Products</b>								
L9801 Liner to L42, L44, L5042, L5044								86
L9806 Set of brackets for L5140		324			378			
L9807 Single bracket for N5137		170	184		194			
L9841 Plastic roller for L50, N93-B								28
L9844 Roller to suit N52, N1052, L229, L6652, N1452		200	228	292	238		238	
L9851 Pair of brackets for N2113, N2114, N2115		582	622					
L9853 Glass shelf for N1113-LR, N2113								50
L9854 Glass shelf for N2114								50
L9855 Glass shelf for N1115-LR, N2115								56
L9856 Pair of brackets for N1113-LR, N1115-LR		666						
L9858 Brush for L58		186		258				
L9859 Brush for L59		302		420				
L9868 Glass shelf for N5036								146
L9882 Glass shelf for N9543								122
L9883 Rail for N9561-B, N9562-B	142							
L9867-50 Glass shelf for N4313-50								114
L9867-65 Glass shelf for N4313-65								120
L9867-80 Glass shelf for N4313-80								124
L9887 Glass shelf to N9545								100
N7073 Glass Shelf for N7043								130
N7076 Pack of 2 screws and plugs								14
L9846 Left hand bracket for N5301		354	398		408			
L9847 Right hand bracket for N5301		354	398		408			
L9894-SG Tray for N171								52
L9895-SG Tray for N172								50
L9888 Left hand bracket for N1301		354	388	494	408		408	
L9889 Right hand bracket for N1301		354	388	494	408		408	
L9892 Left hand bracket for N2301		354	398	506			408	
L9893 Right hand bracket for N2301		354	398	506			408	
L9896 Lid only for L12		354	398	506	408		408	

## Extension Kits

V118-AIS-XX – V990-XX	\$280
V718-AIS-XX – V718-EXT-XX	\$376
V133-AIS-XX – V133-EXT-XX	\$165
V607-AIS-XX – V207-EXT-XX	\$108
V132-AIS-XX – V132-EXT-XX	\$352
V134-AIS-XX – V134-EXT-XX	\$226
V135-AIS-XX – V135-EXT-XX	\$330
V111-AIS-XX – V111-EXT-XX	\$265
V168-AIS-XX – V168-EXT-XX	\$166

# Spares

Faucets and showers (for faucets delivered before June 2000 please call our sales office)

Cartridges	CP	PN	AG	SN(US15)	CNB /CTB	No finish
VSS0022 Diverter Cartridge for V741						80
VSS0062 Cartridge for V161, V121, V123, V127, V442, V444 V423, V425 and V427						796
VSS6037 White Cartridge for V109, V119, V129, V131, V2K09, V2K19, V309, V329, VAC09, VAC19, VGC09, VGC19, V709, V710, V713, V720, V735						138
VSS6022 Blue Cartridge for V109, V119, V129, V131, V2K09, V2K19, V309, V329, VAC09, VAC19, VGC09, VGC19, V709, V710, V713, V720, V735						138
VSS6038 Cartridge for V108						30
VSS6039 Cartridge for V2K08, V2K10						50
VSS6055 Cartridge for V140						194
VSS6041 Anti-clockwise closing cartridge for basin (except V117, V2K17) bidet & kitchen taps and V2K14						60
VSS6042 Clockwise closing cartridge for basin (except V117, V2KA17), bidet & kitchen taps						60
VSS6043 Anti-clockwise closing cartridge for V104-V107, V204-V207, V304-V307, all bath taps, V117, V2K17, V222, V228, V604, V605, V606, V607, V6K6, V6K7, V6B1, V6K17, V6K30, V6K32, V6K48, V6K47, V6K42, V717, V744, V748, T1017, T1047						88
VSS6044 Clockwise closing cartridge for all bath taps and V117, V2K17, V6K17, V6K30, V6K32, V6K48, V6K47, V6K42, V717, V744, V748, T1017, T1047						88
VSS6045 Divertor cartridge for V132, V111						118
VSS6046 Anti-clockwise ¼ turn cartridge for V132, V134, V135						76
VSS6047 Clockwise ¼ turn cartridge for V135						76
VSS0110 Thermo cartridge (identified by text on flow lever)						228
VSS6063 Thermo cartridge for V104 to V106, V204 to V206, V304 to V306, V2K1, V220 plus earlier versions of V100, V200 & V300 (brown thermo cartridge)						228
VSS6064 Thermo cartridge for V2K6, V240, V6K6, V6K7, V600 plus later versions of V100, V200 & V300 (white thermo cartridge)						166
VSS6065 Thermo cartridge for V132, V134, V135, V111						228
VSS6068 Cartridge for V736						94
VSS6663 Dual control thermo cartridge for V604, V605, V6B1	430	452	602	452	582	
VS12041 Dual control thermo cartridge for V161-IS						732
VSS6665 Divertor cartridge for V168-IS						80
<b>Indices</b>						
VSS1101 Antique basin/bidet Hot						22
VSS1102 Antique basin/bidet Cold						22
VSS1103 Antique bath Hot						22
VSS1104 Antique bath Cold						22
VSS1021 Georgian Hot (end cap for all)						22
VSS1022 Georgian Cold (end cap for all)						22
VSS1161 Hot indice	52	60	76	62	70	-
VSS1162 Cold indice	52	60	76	62	70	-
<b>Other spares</b>						
VS19054 Divertor shuttle and cam for Antique & Georgian bath/shower mixers						228
VS19058 Divertor shuttle and cam for Fairfield bath/shower mixers						192
VS19092 Cable for V144						60
VS19658 Shuttle and cam for V6K30, V6K32	280	312	388	312	378	
VSS6078 Side Valve 1/2" anti-clockwise closing						126
VSS6079 Side Valve 1/2" clockwise closing						126
VSS6092 Side Valve 3/4" anti-clockwise closing						174
VSS6093 Side Valve 3/4" clockwise closing						174
VSS9296 Divertor						60

# Index - accessories

Code	Page	Code	Page	Code	Page	Code	Page
L10	298	L1108	286	N6630	196	N9534	254
L12	298	N1113-LR	284	N6631	196	N9535	254
N19-B	289	N1115-LR	284	N6632	196	N9537	254
N20	287	N1133	284	N6634B	197	N9538	254
N24	294	N1133-A	284	N6634W	197	N9541	254
N26-W	288	L1143	285,290	N6635B	197	N9543	254
N28	295	L1145	285,291	N6635W	197	N9549	255,300
N29	298	L1145-XL	285,291	N6637	196	N9551	254
N30	288	L1146	285,291	N6637-C	196	N9551-A	254
N31	287	L1146-XL	285,291	N6639	196	N9551-B	254
N32	287	L1149	286,290	N6647B	197	N9552-A	255
N34	287	N1301	284	N6647W	197	N9552-B	255
N35	287	N1301-A	284	N6648	196	N9560	255
N36	295	N1432	58	N6649B	197	N9561-A	255
N36-GXL	295	N1437	58	N6649W	197	N9561-B	255
N36-XL	295	N1439-B	58	N6652	196	N9562-B	255
N37	287	N1452	58	N6655	200	N9564	255,300
N37-C	287	N1455	59	N6655-A	200	N9565	255,300
N39	288	N1455-A	59	N6664B	201,300	N9566	255,300
L40	301	N1498-6	58	N6664W	201,300	N9736	284
L41	301	N1498-8	58	N6665B	201,300	N9736-B	284
L42	283,288	N1737	285	N6665W	201,300	N9759	285
L44	301	N1737-A	285	N6666B	201,300	N9760-A	285
N47	287	N2113	289	N6666W	201,300	N9760-B	285
N48	288	N2114	289	N6698-6	196	N9760-C	285
L49	301	N2301	289	N6698-8	196		
N52	287	N2301-A	289	N6701	200		
L64	298	N4313-50	258	N6701-A	200		
L65	298	N4313-65	258	L6708	198		
L66	298	N4326	258	N6713	200		
L76	299	N4326-XL	258	N6715	200		
L77	299	N4330	257	L6743-C	199		
N98-6	288	N4331	257	L6745	198		
L107	298	N4332	257	L6745-XL	198		
L110	290	N4334	257	L6746-XL	198		
L114	286	N4335	257	L6749	199		
L115	286	N4337	257	N6760-A	200		
L118	286	N4337-C	257	N6760-B	200		
L119	286	N4343-A	259	N6761-B	200		
L140	299	N4343-B	259	N6762-B	200		
L141	299	N4343-C	259	N7032	292		
L142	299	N4343-D	259	N7034	292		
N151-GXL	295	N4346-A	259	N7035	292		
N151-XL	295	N4346-B	259	N7037	292		
N152	294	N4347	257	N7041	292		
N153	295	N4348	257	N7043	292		
N153-XL	295	N4349-C	258	N7047	292		
N154	294	N4349-M	258	N7049	292		
N154-XL	294	N4355-30-G	258	N7051	293		
N156	294	N4355-30-M	258	N7052	293		
N156-GXL	294	N4355-40-G	258	N7060	293		
N156-XL	294	N4355-40-M	258	N7632F	151		
N158-GXL	294	N4356-45-G	259	N7632K	106		
N158-XL	294	N4356-45-M	258	N7634F	151		
N171-SG	294	N4356-60-G	259	N7634K	106		
N172-SG	294	N4356-60-M	258	N7635F	151		
L228	301	N4356-80-G	259	N7635K	106		
L232	301	N4356-80-M	258	N7637F-LH	151		
L233	301	N4398	257	N7637F-RH	151		
L302	298	N5031	276	N7637K-LH	106		
L303	282	N5032	276	N7637K-RH	106		
N328	303	N5034	277	L7642K	58,107		
N331	303	N5035	276	L7644K	58,107		
N334	303	N5036	277	N7648F	151		
N514-3	286,290	N5037	276	N7648K	106		
L908	302	L5042	152,277	N7655F	152		
L928	302	L5044	152,277	N7655F-A	152		
N1006	295	N5045	277	N7655F-B	152		
N1006-A	295	N5091	276	N7655K	107		
N1020	282	N5092	276	N7655K-A	107		
N1026-W	283	N5094	278	N7655K-B	107		
N1030	283	N5098	277	N7691F	151		
N1031	282	N5113	278	N7691K	106		
N1032	283	L5118	279	N7698F-6	152		
N1034	282	N5137	278	N7698F-8	152		
N1035	282	N5137-A	278	N7698K-6	107		
N1037	282	N5137-B	278	N7698K-8	107		
N1037-C	282	N5139-A	278	N7705K	106		
N1039	283	N5139-B	278	N7739F	152		
N1047	282	L5148	279	N7739K	107		
N1048	283	N5173	279	N7761F-B	152		
N1049	283,288	N5173-A	279	N7761K-B	107		
N1052	282	N5301-A	278	N7902	293		
N1055	284	N5301	278	N7905	293		
N1055-A	284	N5304	276	N7913	293		
N1098-6	283	N5305	151,276	N9531	254		
N1098-8	283	L5326	279,302	N9532	254		

# Index - Faucets and Showers

Code	Page	Code	Page	Code	Page	Code	Page
T10B1A	14-15	V198	79,125,269	V277-TC	252	V2K4AWW	225
T10B2A	12-13	V199	241,253,271	V277-TM	252	V2K4AXM9	224
T10K17-1	42-43	V200-T2C	232	V277-TSB	252	V2K5ACC	213
T10K17-2	42-43	V200-T2GB	232	V277-TSC	252	V2K5AMM	212
T10K36	46-47	V200-T2GBC	232	V277-TW	252	V2K5AXC	213
T1041-A	54	V200-T2GC	232	V279-8A	239	V2K5AXGB	214
T10K47	50-51	V200-T2M	232	V279-8B	239	V2K5AXGBC	212
T10KA14	36-37	V200-T2SB	232	V279-A	239	V2K5AXGC	214
T10KA15	38-39	V200-T2SC	232	V279ARM-A	239	V2K5AXSB	215
T10KA42	52	V200-T2W	232	V279-B	239	V2K5AXSC	215
T10KA48	48-49	V200-T2X	232	V280	240,253	V2K5AXW	213
T12KA16	40-41	V201-TC	234	V281	241	V2K6ACC	209
VA72	195,253	V201-TGB	234	V282	241	V2K6AMM	208
V100-T2	265	V201-TGBC	234	V283	184,195,240,253	V2K6AXC	209
V101-T	266	V201-TGC	234	V284	241	V2K6AXGB	210
V102-T	267	V201-TM	234	V285	241	V2K6AXGBC	208
V103-T	267	V201-TSB	234	V286	241	V2K6AXGC	210
V105A-KIT	264	V201-TSC	234	V287	241	V2K6AXSB	211
V107-T2	265	V201-TW	234	V288	241	V2K6AXSC	211
V109-AUS	272	V201-TX	234	V289	241	V2K6AXW	209
V111-AIS	23,74,120,179, 235,266	V202-TC	236	V378	31,79,125,270	V2K7ACC	217
V111-T	266	V202-TGB	236	V379	31,79,125,270	V2K7AMM	216
V116-AUS	272	V202-TGBC	236	V386	271	V2K7AXC	217
V117-A	273	V202-TGC	236	V646	195	V2K7AXGB	218
V118-AIS	188,193,247,251,273	V202-TM	236	V667	184	V2K7AXGBC	216
V129-A	272	V202-TSB	236	V680	184,195	V2K7AXGC	218
V132-AIS	27,76,122,181, 237,267	V202-TSC	236	V767	80,126	V2K7AXM9	216
V133-AIS	17,71,117,176, 232,265	V202-TW	236	V770	82,128	V2K7AXSB	219
V134-AIS	21,73,119,178, 234,266	V202-TX	236	V783	32,55,149	V2K7AXSC	219
V135-AIS	13,15,25,69,70, 75,115,116,121,173,175,180,229, 231,264,267	V203-TC	237	V783	80,104,126	V2K7AXW	217
V136-A	274	V203-TGB	237	V904	239	V2KA09C	242
V140-A	275	V203-TGBC	237	V908	239	V2KA09GB	242
V147	273	V203-TGC	237	V909-A	239	V2KA09GBC	242
V157	275	V203-TM	237	V909-B	239	V2KA09GC	242
V158-AIS	195,252,275	V203-TSB	237	V913-A	240	V2KA09M	242
V159-A	270	V203-TSC	237	V912	239	V2KA09SB	242
T162-A	30	V203-TW	237	V941	33,55,81,105,127,150, 184,195,241,253,270	V2KA09SC	242
V162-A	269	V203-TX	237	V942	33,55,81,105,127,150, 184,195,241,253,270	V2KA09W	242
V163	183,269,240	V207-T2C	233	V987	32,80,126,269	V2KA11C	244
T164-A	32	V207-T2GB	233	T1000	16-17	V2KA11GB	244
V164-A	270	V207-T2GBC	233	T1001	20-21	V2KA11GBC	244
V165	33,55,81,105,127,150, 184,195,241,253,270	V207-T2GC	233	T1002	24-25	V2KA11GC	244
T166-A	33	V207-T2M	233	T1003	26-27	V2KA11M	244
T167	32	V207-T2SB	233	T1005	24-25	V2KA11SB	244
V167	270	V207-T2SC	233	T1007	18-19	V2KA11SC	244
V168-AIS	29,77,123,182, 238,268	V207-T2W	233	T1011	22-23	V2KA11W	244
T169-A	30	V207-T2X	233	T1046	53	V2KA11X	244
V169-A	269	V211-TC	235	T1068	28-29	V2KA14C	243
T169-S	30	V211-TGB	235	T1080	32,55	V2KA14GB	243
T170	34	V211-TGBC	235	T1077-LA	56	V2KA14GBC	243
V170	271	V211-TGC	235	T1077-LB	56	V2KA14GC	243
V170A-A	271	V211-TM	235	V2B1AXC	228	V2KA14M	243
V170A-B	271	V211-TSB	235	V2B1AXGB	229	V2KA14SB	243
T170A-KIT	34	V211-TSC	235	V2B1AXGBC	228	V2KA14SC	243
V176-A	32,81,127,270	V211-TW	235	V2B1AXM9	228	V2KA14W	243
V178-A	31,79,125,240,269	V211-TX	235	V2B1AXSB	229	V2KA14X	243
V178-B	31,79,125,240,269	V238-A	190,248,274	V2B1AXSC	229	V2KA15C	243
V179	270	V246	252	V2B1AXW	228	V2KA15GB	243
T179-8A	30	V254-A	241,253	V2B2AXC	230	V2KA15GBC	243
T179-A	30	V256	241,253	V2B2AXGBC	230	V2KA15GC	243
T179ARM-A	31	V262-A	239	V2B2AXGB	231	V2KA15M	243
T179-B	30	V264-A	240	V2B2AXGC	231	V2KA15SB	243
V182-A	33,55,81,105,127, 150,271	V266-A	240	V2B2AXM9	230	V2KA15SC	243
V180	271	V267	241	V2B2AXSB	231	V2KA15W	243
V183	270	V268-TC	238	V2B2AXSC	231	V2KA15X	243
V184	270	V268-TGB	238	V2B2AXSW	231	V2KA16C	245
V185	271	V268-TGBC	238	V2B2AXW	230	V2KA16GB	245
V187	271	V268-TGC	238	V2B2AXX	230	V2KA16GBC	245
V188	31,79,125,240,269	V268-TM	238	V2K3ACC	221	V2KA16M	245
V189	31,79,125,240,269	V268-TSB	238	V2K3AGC	222	V2KA16SB	245
V192-A	44,93,138,189,247,273	V268-TSC	238	V2K3AGB	222	V2KA16SC	245
V193-A	44,93,138,189,247,273	V268-TW	238	V2K3AGBC	220	V2KA16W	245
		V268-TX	238	V2K3AGC	222	V2KA16X	245
		V269-A	239	V2K3AMM9	220	V2KA17C	247
		V270	241	V2K3ASB	223	V2KA17GB	247
		V270A-C	241	V2K3ASC	223	V2KA17GBC	247
		V270A-M	241	V2K3AWW	221	V2KA17GC	247
		V270A-W	241	V2K3AXM	220	V2KA17M	247
		V272	241	V2K4ACC	225	V2KA17SB	247
		V273	241	V2K4AGB	226	V2KA17SC	247
		V274	241	V2K4AGBC	224	V2KA17W	247
		V275	241	V2K4AGC	226	V2KA17X	247
		V276-A	32,81,127,184,241,270	V2K4AMM	224	V2KA30C	248
		V277-GBC	252	V2K4ASB	227	V2KA30GB	248
				V2K4ASC	227	V2KA30GBC	248

Code	Page	Code	Page	Code	Page	Code	Page
V2KA30GC	248	V607-TM	177	V6KA13BCR	189	V6KA6MMB9	161
V2KA30M	248	V607-TMB	177	V6KA13CCQ	189	V6KA6XM9	160,161
V2KA30SB	248	V607-TX	177	V6KA13CCR	189	V6KA6XMB9	161
V2KA30SC	248	V607-TXB	177	V6KA13D	189	V6KA6XX9	161
V2KA30W	248	VA60-US	56,105,150,195,253	V6KA13L	189	V6KA6XXB9	161
V2KA30X	248	V611-TBCQ	179	V6KA13M	189	V6KA7BCQ9	170
V2KA32C	249	V611-TBCR	179	V6KA13MB	189	V6KA7BCR9	170
V2KA32GB	249	V611-TCCQ	179	V6KA13X	189	V6KA7CCQ9	170
V2KA32GBC	249	V611-TCCR	179	V6KA13XB	189	V6KA7CCR9	170
V2KA32GC	249	V611-TL	179	V6KA14BCQ	186	V6KA7DL9	171
V2KA32M	249	V611-TM	179	V6KA14BCR	186	V6KA7MM9	169
V2KA32SB	249	V611-TMB	179	V6KA14CCQ	186	V6KA7MMB9	169
V2KA32SC	249	V611-TX	179	V6KA14CCR	186	V6KA7XCQ9	168,169
V2KA32W	249	V611-TXB	179	V6KA14D	186	V6KA7XMB9	169
V2KA32X	249	V654-A	33,55,184,195	V6KA14L	186	V6KA7XX9	169
V2KA42C	252	V654B-A	184,195	V6KA14M	186	V6KA7XXB9	169
V2KA42GB	252	V662-A	183	V6KA14MB	186	V700-TLF	117
V2KA42GBC	252	V663-A	30,78,124,183,240,269	V6KA14X	186	V700-TLK	71
V2KA42GC	252	V663-B	30,78,124,183,240,269	V6KA14XB	186	V700-TLL	71
V2KA42M	252	V664-A	184	V6KA16BCQ	187	V700-TLW	71
V2KA42SB	252	V665-A	30,78,124,183,240,269	V6KA16BCR	187	V700-TXF	117
V2KA42SG	252	V665-B	30,78,124,183,240,269	V6KA16CCQ	187	V700-TXK	71
V2KA42W	252	V666-A	184	V6KA16CCR	187	V701-TLF	119
V2KA42X	252	V668-TBCQ	182	V6KA16D	187	V701-TLK	73
V2KA47C	251	V668-TBCR	182	V6KA16L	187	V701-TLW	73
V2KA47GB	251	V668-TCCQ	182	V6KA16M	187	V702-TLF	121
V2KA47GBC	251	V668-TCCR	182	V6KA16MB	187	V702-TLK	75
V2KA47GC	251	V668-TD	182	V6KA16X	187	V702-TLW	75
V2KA47M	251	V668-TL	182	V6KA16XB	187	V703-TLF	122
V2KA47SB	251	V668-TM	182	V6KA30BCQ	190	V703-TLK	76
V2KA47SC	251	V668-TMB	182	V6KA30BCR	190	V703-TLW	76
V2KA47W	251	V668-TX	182	V6KA30CCQ	190	V705-TLF	121
V2KA47X	251	V668-TXB	182	V6KA30CCR	190	V705-TLK	75
V2KA48C	250	V669-A	183	V6KA30D	190	V705-TLW	75
V2KA48GB	250	V669-EXT	30,78,124,183	V6KA30L	190	V707-TLF	118
V2KA48GBC	250	V669S-A	183	V6KA30M	190	V707-TLK	72
V2KA48GC	250	V670A-KIT	185	V6KA30MB	190	V707-TLL	72
V2KA48M	250	V670A-KITB	185	V6KA30X	190	V707-TLW	72
V2KA48SB	250	V670-X	185	V6KA30XB	190	V707-TXF	118
V2KA48SC	250	V670-XB	185	V6KA32BCQ	191	V707-TXK	72
V2KA48W	250	V677-TM	195	V6KA32BCR	191	V711-TLF	120
V2KA48X	250	V677-TMB	195	V6KA32CCQ	191	V711-TLK	74
V600-T2BCQ	176	V679-8A	183	V6KA32CCR	191	V711-TLW	74
V600-T2BCR	176	V679-8B	183	V6KA32D	191	V718-AIS	43,51,92,102,138,147
V600-T2CCQ	176	V679-A	183	V6KA32L	191	V720-LH-AIS	90,99,101,136,144,146
V600-T2CCR	176	V679ARM-A	184	V6KA32M	191	V720-RH-AIS	91,100,137,145
V600-T2D	176	V679-B	183	V6KA32MB	191	V736-AIS	47,94,139
V600-T2L	176	V6B1ABCQ9	173	V6KA32X	191	V746-1F	149
V600-T2M	176	V6B1ABCR9	173	V6KA32XB	191	V746-1K	104
V600-T2MB	176	V6B1ACCQ9	173	V6KA42BCQ	194	V746-2F	149
V600-T2X	176	V6B1ACCR9	173	V6KA42BCR	194	V746-2K	104
V600-T2XB	176	V6B1ADL9	173	V6KA42CCQ	194	V754-AF	127,150
V601-TBCQ	178	V6B1AXM9	172	V6KA42CCR	194	V754-AK	81,105
V601-TBCR	178	V6B1AXMB9	172	V6KA42D	194	V758-AIS	53,104,149
V601-TCCQ	178	V6B1AXX9	172	V6KA42L	194	V762-A	78,124
V601-TCCR	178	V6B1AXXB9	172	V6KA42M	194	V764-A	80,126
V601-TL	178	V6B2ABCQ9	175	V6KA42MB	194	V766-A	80,126
V601-TM	178	V6B2ABCR9	175	V6KA42X	194	V768-TLF	123
V601-TMB	178	V6B2ACCQ9	175	V6KA42XB	194	V768-TLK	77
V601-TX	178	V6B2ACCR9	175	V6KA48BCQ	192	V768-TLL	77
V601-TXB	178	V6B2ADL9	175	V6KA48BCR	192	V768-TLW	77
V602-TBCQ	180	V6B2AXM9	174	V6KA48CCQ	192	V768-TXF	123
V602-TBCR	180	V6B2AXMB9	174	V6KA48CCR	192	V768-TXK	77
V602-TCCQ	180	V6B2AXX9	174	V6KA48D	192	V769-A	78,124
V602-TCCR	180	V6B2AXXB9	174	V6KA48L	192	V769S-A	78,124
V602-TL	180	V6K17BCQ	188	V6KA48M	192	V770A-KITF	128
V602-TM	180	V6K17BCR	188	V6KA48MB	192	V770A-KITK	82
V602-TMB	180	V6K17CCQ	188	V6KA48X	192	V777LF	150
V602-TX	180	V6K17CCR	188	V6KA48XB	192	V777LK	105
V602-TXB	180	V6K17D	188	V6KA5BCQ9	166	V777LL	105
V603-TBCQ	181	V6K17L	188	V6KA5BCR9	166	V779-8A	78,124
V603-TBCR	181	V6K17M	188	V6KA5CCR9	166	V779-8B	78,124
V603-TCCQ	181	V6K17MB	188	V6KA5CCR9	166	V779-A	78,124
V603-TCCR	181	V6K17X	188	V6KA5DL9	167	T779ARM-A	79,125
V603-TL	181	V6K17XB	188	V6KA5MM9	165	V779-B	78,124
V603-TM	181	V6K47BCQ	193	V6KA5MMB9	165	V780-F	126,149
V603-TMB	181	V6K47BCR	193	V6KA5XM9	164,165	V780-K	80,104
V603-TX	181	V6K47CCQ	193	V6KA5XX9	165	V790-F	127
V603-TXB	181	V6K47CCR	193	V6KA5XXB9	165	V790-K	81
V607-AIS	19,72,118,177,233,265	V6K47D	193	V6KA6BCQ9	162	V791-F-C	127
V607-TBCQ	177	V6K47L	193	V6KA6BCR9	162	V791-F-H	127
V607-TBCR	177	V6K47M	193	V6KA6CCQ9	162	V791-K-C	81
V607-TCCQ	177	V6K47MB	193	V6KA6CCR9	162	V791-K-H	81
V607-TCCR	177	V6K47X	193	V6KA6DL9	163	V7B1AXLF9	116
V607-TD	177	V6K47XB	193	V6KA6MM9	161		
V607-TL	177	V6KA13BCQ	189				

# Index - Faucets and Showers

Code	Page	Code	Page	Code	Page
V7B1AXLK9	70	V7KA15XK	88	V7KA48-1LF	143
V7B2AXLF9	115	V7KA16LF	135	V7KA48-1LK	98
V7B2AXLK9	69	V7KA16LK	89	V7KA48-1LL	98
V7K17-1LF	138	V7KA16LL	89	V7KA48-1LW	98
V7K17-1LK	92	V7KA16LW	89	V7KA48-1XF	143
V7K17-1LL	92	V7KA16XF	135	V7KA48-1XK	98
V7K17-1LW	92	V7KA16XK	89	V7KA48-2LF	143
V7K17-1XF	138	V7KA19LF-LH	130	V7KA48-2LK	98
V7K17-1XK	92	V7KA19LF-RH	130	V7KA48-2LL	98
V7K17-2LF	138	V7KA19LK-LH	84	V7KA48-2LW	98
V7K17-2LK	92	V7KA19LK-RH	84	V7KA48-2XF	143
V7K17-2LL	92	V7KA19LL-LH	84	V7KA48-2XK	98
V7K17-2LW	92	V7KA19LL-RH	84	V7KA5XLF9	113
V7K17-2XF	138	V7KA20-1LF-LH	136	V7KA5XLK9	67
V7K17-2XK	92	V7KA20-1LF-NP	136,137	V7KA6LLF9	112
V7K17-3LF	138	V7KA20-1LF-RH	137	V7KA6XLF9	112
V7K17-3LK	92	V7KA20-1LK-LH	90	V7KA6XLK9	66
V7K17-3LL	92	V7KA20-1LK-NP	90,91	V7KA7XLF9	114
V7K17-3LW	92	V7KA20-1LK-RH	91	V7KA7XLK9	68
V7K17-3XF	138	V7KA20-1LL-LH	90		
V7K17-3XK	92	V7KA20-1LL-NP	90,91		
V7K35-1LF-LH	144	V7KA20-1LL-RH	91		
V7K35-1LF-NP	144,145	V7KA20-2LF-LH	136		
V7K35-1LF-RH	145	V7KA20-2LF-NP	136,137		
V7K35-1LK-LH	99	V7KA20-2LF-RH	137		
V7K35-1LK-NP	99,100	V7KA20-2LK-LH	90		
V7K35-1LK-RH	100	V7KA20-2LK-NP	90,91		
V7K35-1LL-LH	99	V7KA20-2LK-RH	91		
V7K35-1LL-NP	99,100	V7KA20-2LL-LH	90		
V7K35-1LL-RH	100	V7KA20-2LL-NP	90,91		
V7K35-2LF-LH	144	V7KA20-2LL-RH	91		
V7K35-2LF-NP	144,145	V7KA20-3LF-LH	136		
V7K35-2LF-RH	145	V7KA20-3LF-NP	136,137		
V7K35-2LK-LH	99	V7KA20-3LF-RH	137		
V7K35-2LK-NP	99,100	V7KA20-3LK-LH	90		
V7K35-2LK-RH	100	V7KA20-3LK-NP	90,91		
V7K35-2LL-LH	99	V7KA20-3LK-RH	91		
V7K35-2LL-NP	99,100	V7KA20-3LL-LH	90		
V7K35-2LL-RH	100	V7KA20-3LL-NP	90,91		
V7K36LF	139	V7KA20-3LL-RH	91		
V7K36LK	94	V7KA31LF-LH	131		
V7K36LL	94	V7KA31LF-RH	131		
V7K43-1LF	146	V7KA31LK-LH	85		
V7K43-1LF-NP	146	V7KA31LK-RH	85		
V7K43-1LK	101	V7KA31LL-LH	85		
V7K43-1LK-NP	101	V7KA31LL-RH	85		
V7K43-1LL	101	V7KA33LF	132		
V7K43-1LL-NP	101	V7KA33LK	86		
V7K43-2LF	146	V7KA33LL	86		
V7K43-2LF-NP	146	V7KA37LF	140		
V7K43-2LK	101	V7KA37LK	95		
V7K43-2LK-NP	101	V7KA37LL	95		
V7K43-2LL	101	V7KA38-1LF	140		
V7K43-2LL-NP	101	V7KA38-1LK	95		
V7K47-1LF	147	V7KA38-1LL	95		
V7K47-1LK	102	V7KA38-2LF	140		
V7K47-1LL	102	V7KA38-2LK	95		
V7K47-1LW	102	V7KA38-2LL	95		
V7K47-1XF	147	V7KA39-1LF	141		
V7K47-1XK	102	V7KA39-1LK	96		
V7K47-2LF	147	V7KA39-1LL	96		
V7K47-2LK	102	V7KA39-2LF	141		
V7K47-2LL	102	V7KA39-2LK	96		
V7K47-2LW	102	V7KA39-2LL	96		
V7K47-2XF	147	V7KA41LF	149		
V7K47-2XK	102	V7KA41LK	104		
V7KA09LF-LH	129	V7KA41LL	104		
V7KA09LF-RH	129	V7KA42LF	148		
V7KA09-LH	83	V7KA42LK	103		
V7KA09-RH	83	V7KA42LL	103		
V7KA10LF-LH	129	V7KA42LW	103		
V7KA10LF-RH	129	V7KA42XF	148		
V7KA10-LH	83	V7KA42XK	103		
V7KA10-RH	83	V7KA44-1LF	142		
V7KA14LF	133	V7KA44-1LK	97		
V7KA14LK	87	V7KA44-1LL	97		
V7KA14LL	87	V7KA44-1LW	97		
V7KA14LW	87	V7KA44-1XF	142		
V7KA14XF	133	V7KA44-1XK	97		
V7KA14XK	87	V7KA44-2LF	142		
V7KA15LF	134	V7KA44-2LK	97		
V7KA15LK	88	V7KA44-2LL	97		
V7KA15LL	88	V7KA44-2LW	97		
V7KA15LW	88	V7KA44-2XF	142		
V7KA15XF	134	V7KA44-2XK	97		

# Terms and conditions summary (full details available on request)

## **PRICES**

All prices in US \$. Goods will be invoiced at prices ruling on the date of despatch. All previous price lists are now cancelled.

Prices are subject to alteration without notice.

## **PAYMENT TERMS**

Payment is due 30 days from invoice date.

## **ADDITIONS TO ORDERS**

We process all customer orders upon receipt and are therefore unable to accept any addition to orders or cancellations once the order has been received.

Claims for non-delivery, shortages or damage to goods cannot be entertained unless we and the carriers are notified in writing within 7 days from the date of receiving the goods. Claims will not be accepted where customer has requested a third party delivery address.

## **GOODS RETURNED FOR CREDIT**

(No merchandise can be accepted at the New York Customer Service Center). All requests for RGAs must be made within 30 days of receipt of delivery. Requests must first be agreed to and authorized by the representative. Goods authorized for return will be subject to a minimum handling charge of 25% subject to the condition of the goods and packaging. The customer is to arrange and pay the freight to the United Kingdom. Once inspected and approved the goods will be credited. Any reordered goods will be billed at the prices ruling on the day of despatch. Special order items will not be accepted for return. The dealer must assume responsibility for all unauthorized and authorized customer returns ensuring they are re-boxed.

## **RETENTION OF TITLE**

Ownership of goods shall remain in the Company until full payment has been received for all goods comprised in this contract. If any goods are re-sold before payment is made the Company's right of ownership shall be transferred to the proceeds of sale or to the claim for such proceeds.

## **QUOTATIONS**

Quotations issued by Samuel Heath are indicative only and not binding. Unless a period of validity is stated, this should be considered as one month.

## **PAYMENT**

Payment must be made to Samuel Heath in accordance with the invoice terms for the product warranty to be valid. Agreement must be reached in writing. A signed special order form must be received from the customer in order for production to commence. Upon receipt of this signed order there can be no deferment or cancellation and the customer is bound to pay the full amount due.

## **LIABILITY**

All goods should be checked upon your receipt and prior to installation. All quotations are given and goods sold subject to the conditions that the seller's liability is limited to goods proved to have been defective in material or workmanship when they left the seller's works. No claim will be accepted where goods have been used for the purpose for which they were not intended, not fitted correctly, not maintained to the sellers recommended standards or have been abused or misused. Samuel Heath's liability is limited to the replacement of the faulty product only and does not allow for claims for other costs such as damage to products not supplied by Samuel Heath or for working hours or for repairs.

## **FREIGHT FREE - DELIVERED TO YOUR WAREHOUSE**

Orders under \$350.00 net to a minimum of \$150.00 net are subject to a handling surcharge of \$45.00 including duty. Freight free terms apply to the United States only. There is an additional charge for third party deliveries (which must be agreed in advance).

## **APPLICABLE LAW**

The terms and conditions are in accordance with UK law and all claims must be made under the jurisdiction of UK law.

## **FINISHES**

The finish of the product must be cared for in accordance with Samuel Heath's Care Instructions (copy available upon request). Abrasive cleaners must be avoided. Variations in natural metal finishes such as unlacquered brass and bronze are unavoidable in the production process and do not constitute a reason for return of the product.

## **MECHANICAL GUARANTEE**

A 10 year mechanical guarantee is extended on all bathroom accessories and brassware components to be free from malfunction due to defects in material and workmanship. This guarantee is not transferable and excludes all normal wear and tear.

## **SHOWER GUARANTEE**

A 2 year mechanical guarantee is extended on all thermostatic shower components to be free from malfunction due to defects in material and workmanship. For validity it is important that care instructions are complied with. This guarantee does not affect your statutory rights.

All products must be installed by a qualified professional installer for this guarantee to be valid. The guarantee period begins from the date of delivery from our factory. This guarantee is non-transferable.

## **SERVICING**

All taps and showers require servicing to ensure continued optimum performance. This requirement is all the more important in hard water areas (risk of limescale). Servicing is not covered by our manufacturer's guarantee and should be carried out by a qualified plumbing engineer.

The information stated within this price book is for guideline purposes. Where flow rates are stated it is worth noting that the suitability of the product and its performance will be determined by the relevant supply pressures being available. Should you require any further information please contact our technical team.



All shower heads are limited to 1.8 g.p.m. if CALGreen or CEC Approval is required. Otherwise some are available with 2.5 g.p.m. flow.  
All hand showers are limited to 1.8 g.p.m. and are CALGreen compliant.  
All lavatory faucets are limited to 1.2 g.p.m.



Faucets with this icon comply with The Safe Drinking Water Act.

N.P.T. threaded adaptors are supplied as standard for all products where applicable.

For information on our product approvals please consult the following websites:- [www.nsf.org](http://www.nsf.org) - for UPC / NSF. and [www.mass.gov](http://www.mass.gov) for Mass Code approval.



**US Customer Service**

139 East 35th Street, Suite 2-J  
New York, NY 10016  
(No merchandise can be accepted  
at the above address)

T: (212) 696 0050  
usa@samuel-heath.com  
Federal I.D. No. 58-1504682

**samuel-heath.com**



@Samuelheathofficial



@Samuel\_heath



@Samuel Heath

Head Office and Customer Service  
Leopold Street  
Birmingham  
England  
B12 0UJ

T: +44 (0)121 766 4200  
info@samuel-heath.com

