

Miele

Architect ▪ Design ▪ Developer

Miele Gen7000 Overview



Generation 7000 Quality ahead of its time

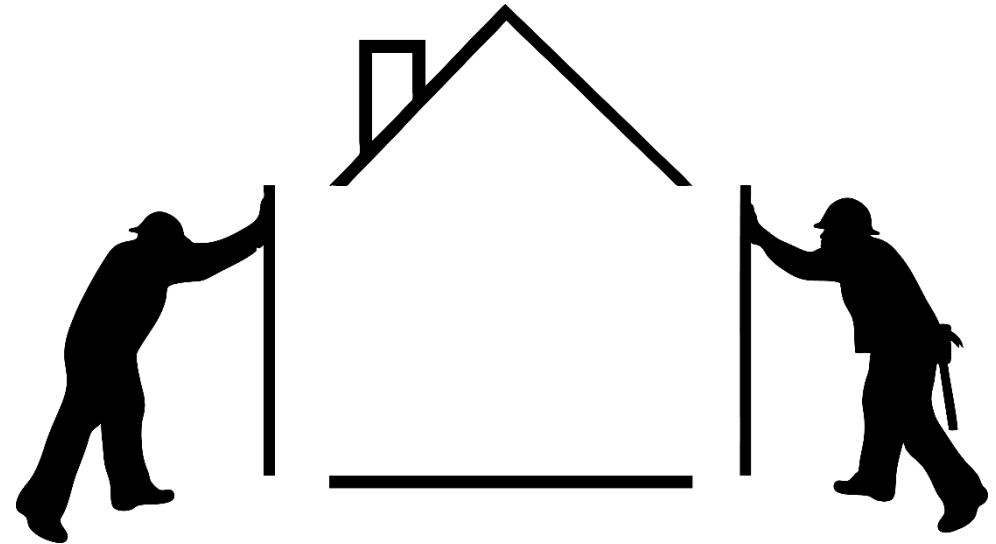
Miele

THE NEW MIELE GENERATION 7000
OUR MOST INTUITIVE RANGE OF APPLIANCES EVER



Miele Spec Library

<https://us.mieleusa.com/spec-library/>



NEW Generation 7000 Oven Design Lines



Generation 7000 Handles | Dimensions

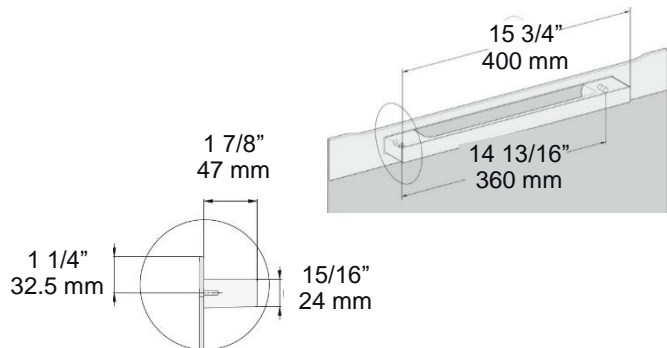
24" PureLine | VitroLine



DS 7000 PureLine
\$199.00



DS 7000 Vitro GRGR
\$349.00



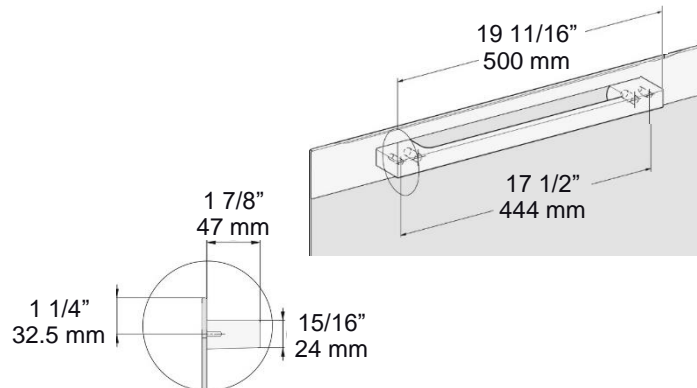
30" PureLine | VitroLine



*DS7808 PureLine



*DS7808 VitroLine
GRGR



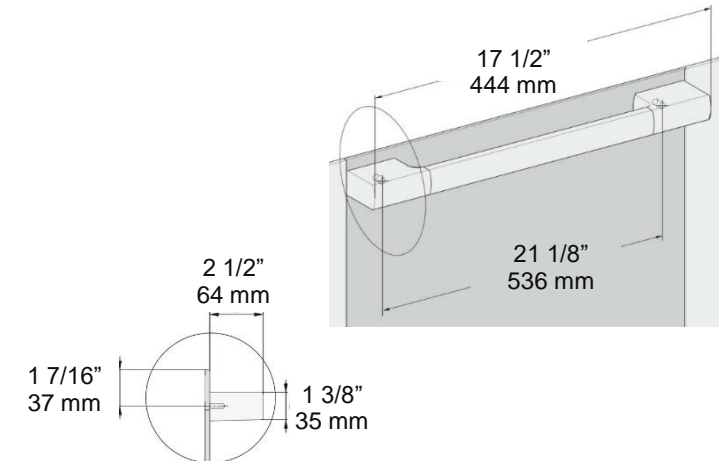
30" ContourLine



*DS7308 ContourLine



*DS7708 ContourLine Swiveling



Generation 7000 PureLine



PureLine offers a modern, contemporary appeal, with its solid handle, low-key stainless-steel trim and a glass front in obsidian black

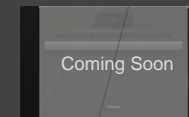
Trim Kit Options



EBA 7848 EDST/CLST \$429.00
30 x 18 Trim Kit



EBA 7868 EDST/CLST \$429.00
30 x 24 Trim Kit



EBA 2248 \$429.00
Microwave 30 x 18 Trim Kit in Black



PureLine Convection Ovens

M Touch



H 7880 BP \$7,999.00
 30" Convection Oven

M Touch S



H 7680 BP \$6,499.00
 30" Convection Oven

DirectSensor S



H 7280 BP \$5,099.00
 30" Convection Oven

EasyControl



H 2880 BP \$4,299.00
 30" Convection Oven



M Touch S Oven **H 7660 BP** comes equipped with a water intake pipe for the steam injection system used with the Moisture Plus cooking program



H 7660 BP \$4,299.00
 24" Convection Oven

Miele Built-In Ovens are installed independently of the cooktop and offer greater installation flexibility; for instance, they can be positioned at eye level for ultimate user convenience.

Available in PureLine only – Updates: TwinPower, Pyrolytic self-cleaning, Retractable dials.

This is not Generation 7000, as there are less programs, No Pyrofit racks, rails, runners, 2 racks, no glider. Intended for Multi-Residential Projects and entry-level only.

PureLine Combination-Steam Ovens | Vacuum Sealers

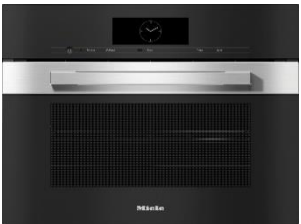
M Touch



DGC 7870 \$6,599.00
30 x 19 Combi-Steam Oven



DGC 7875 \$6,899.00 
30 x 19 Combi-Steam Oven



DGC 7845 \$6,099.00 
24 x 18 Combi-Steam Oven

M Touch S



DGC 7640 \$4,999.00
24 x 18 Combi-Steam Oven

DirectSensor



DGC 7470 \$4,699.00
30 x 19 Combi-Steam Oven



EVS 7010 [5 5/8] \$2,999.00
24 x 6 Vacuum Sealer



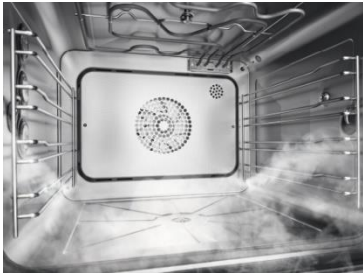
EVS 7670 [9 7/8] \$3,999.00
30 x 10 Vacuum Sealer



DGC 7880 XXL \$6,899.00
30 x 25 Combi-Steam Oven



DGC 7865 XXL \$6,599.00 
24 x 24 Combi-Steam Oven



The 3-in-1 system for maximum variety
The Combi-Steam Oven gives you a fully fledged steam oven, a fully fledged oven, and a fully fledged combined appliance in one! Thanks to its DualSteam technology, you can cook food evenly and gently. And it really shows its versatility with combination cooking – combining moist and dry heat to ensure outstanding baking and roasting results

30 x 18 Trim Kit **EBA 7848** \$429.00

30 x 24 Trim Kit **EBA 7868** \$429.00

Details on Page 9

PureLine Speed Ovens | Microwaves

M Touch



H 7870 BM \$4,899.00
30 x 19 Speed Oven

M Touch S



H 7670 BM \$4,399.00
30 x 19 Speed Oven



H 7640 BM \$3,699.00
24 x 18 Speed Oven

DirectSensor S



H 7270 BM \$3,099.00
30 x 19 Speed Oven



H 7240 BM \$2,799.00
24 x 18 Speed Oven



Speed Oven

The built-in speed oven intelligently combines the benefits of two powerful appliances in either a 24" or 30" wide niche: This appliance is a fully fledged oven with a wide variety of functions at the same time as being a powerful microwave oven.



M 7240 TC \$2,299.00
24 x 18 Microwave
w/ Top Controls

30 x 18 Trim Kit (Page 9)
EBA 7848 \$499.00



M 2241 SC \$1,699.00
24 x 18 Microwave
w/ Side Controls

30 x 18 Trim Kit
EBA 2248 \$429.00

PureLine Built-In Coffee Systems | Warming Drawer

M Touch



CVA 7845 \$5,799.00
 24 x 18 Coffee System w/ DirectWater



ESW 7010 [5 5/8] \$1,499.00
 24 x 6 Warming Drawer

Direct Sensor



CVA 7440 \$4,399.00
 24 x 18 Coffee System



ESW 7010 [5 5/8] \$1,499.00
 24 x 6 Warming Drawer

30 x 18 Trim Kit (Page 9)
EBA 7848 \$429.00



Coffee Connoisseurs

Miele coffee beans are organically grown from the Arabica shrub and harvested in the highlands of south America. The beans are sourced from a fair-trade certified organic coffee cooperative, and then roasted and blended exclusively for Miele by a private German roaster.

Available for purchase on 'Shop' Miele.com
Black Edition: Café Crema, Espresso, Decaf, One For All.

Requires a water line

Design Award
CVA 7845



Miele CVA 7845 Coffee is prepared freshly ground according to type and the beans are selected from one of the three separate inner containers. Due to the demand-oriented automatic descaling and cleaning of milk lines and brewing unit via exchangeable cartridges, manual cleaning is no longer necessary. The illuminated, motor-driven spout adapts via sensor control to the cup heights and centrally dispenses the variety of hot beverages. The milk vessel can be inserted and removed in one movement from the front. All tanks and containers are optimized with regard to ergonomics and functionality. **This model comes equipped with DirectWater (plumbed) but can be switched to manual tank fill.**

PureLine Configurations with Warming Drawers & Vacuum Sealer

10" Warming Drawer | 10" Vacuum Sealer [Horizontal]



ESW 7670 [9 7/8] \$2,399.00
30 x 10 Warming Drawer



EVS 7670 [9 7/8] \$3,999.00
30 x 10 Vacuum Sealer

10" Warming drawer and 10" Vacuum Sealer is recommended below all 30 x 19 [18 7/8" tall] appliances and can be combined horizontally with all 30 x 19 lifestyle ovens. (Speed, Combi-steam and Coffee) 30 x 19 Models: DGC 7870, DGC 7875, DGC 7470, H 7870 BM, H 7670 BM, H 7270 BM. **Note: Shelf support is NOT required between the above listed models and the ESW 7670 or EVS 7660.**

NOT RECOMMENDED:

ALL warming drawers and vacuum sealers placed below any 24 x 18 [17 15/16" tall] appliances with a 30" Trim kit will not line up horizontally with a 30" Convection oven. [See image A for 10" drawers and image B for 11" drawer.]

24 x 18 Models: DGC 7845, DGC 7640, H 7640 BM, H 7240 BM, CVA 7845, CVA 7440, M 7240 TC.
[Exception M 2241 SC will work with 11" Drawer ESW 7680 as the interface has side controls with an all black front]

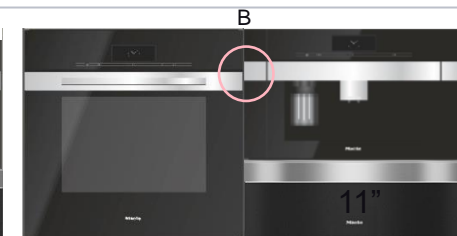
11" Warming Drawer [Stacked]



ESW 7680 [10 3/4] \$2,499.00
30 x 11 Warming Drawer

11" Warming drawer is recommended at the bottom of any 30" wide vertical stack. **Note: Shelf support is required between a 30" Convection oven and ESW 7680 warming drawer.**

ESW 6380 FB Panel Ready optional available on page 20



Generation 7000 ContourLine | Trim Kit



ContourLine offers a traditional to transitional appeal, with its ergonomic handle, stainless-steel framing and a glass front in obsidian black.

Trim Kit



EBA 2748 \$429.00

Optional Stainless 30 x 19 Trim Kit
for Microwave M 2241 SC

No additional trim kits are
required for ContourLine as all
appliances are 30"W.

[Only exception is the 24 x 18 microwave
seen above]



ContourLine Convection Ovens

M Touch



H 7780 BP \$7,999.00 💧
30" Convection Oven



H 7780 BP 2 \$9,799.00 💧
30 x 51 Double Convection Oven
(Moisture Plus feature in top oven only)

M Touch S



H 7580 BP \$6,499.00 💧
30" Convection Oven

DirectSensor S



H 7180 BP \$5,099.00
30" Convection Oven



Miele Built-In Ovens are installed independently of the cooktop and offer greater installation flexibility; for instance, they can be positioned at eye level for ultimate user convenience.

BP = Self Clean | Requires a water line 💧

ContourLine Combination-Steam Ovens

M Touch



DGC 7770 XL \$6,399.00
30 x 19 Combi-Steam Oven



DGC 7775 XL \$6,899.00 💧
30 x 19 Combi-Steam Oven



DGC 7780 XXL \$6,899.00
30 x 25 Combi-Steam Oven



DGC 7785 XXL \$7,399.00 💧
30 x 25 Combi-Steam Oven

M Touch S



DGC 7580 XXL \$6,399.00
30 x 25 Combi-Steam Oven

DirectSensor



DGC 7370 XL \$4,699.00
30 x 19 Combi-Steam Oven



Automatic Programs

Success guaranteed - intelligent automatic programs. Effortlessly prepare 250 dishes with precision: Guaranteed results with fish, meat, vegetables, baked goods and more.

Menu Cooking

Everything ready at the same time - Automatic menu cooking A complete menu: Temperature, cooking duration and food sequence are automatically determined. Cooking made easy. (M Touch _ M Touch s)

ContourLine Speed Ovens | Microwave

M Touch



H 7770 BM \$4,899.00
30 x 19 Speed Oven

M Touch S



H 7570 BM \$4,399.00
30 x 19 Speed Oven

DirectSensor S



H 7170 BM \$3,099.00.
30 x 19 Speed Oven

EasyControl



M 2241 SC \$1,699.00
24 x 18 Microwave w/ Side Controls



Combination modes

For faster preparation many dishes can be cooked much more quickly by combining a traditional operating mode and the microwave function, depending on the dish you could save up to 40% of your time.

Quick&Gentle

Inverter technology that applies power consistently through the cooking for even better results (speed oven)



ContourLine 30 x 19 Trim Kit for Microwave
EBA 2748 \$429.00

ContourLine Built-In Coffee Systems

M Touch



CVA 7775 \$6,199.00 💧
30 x 19 Coffee System w/ WaterDirect

Direct Sensor



CVA 7370 \$5,299.00
30 x 19 Coffee System



Coffee Connoisseurs

Miele coffee beans are organically grown from the Arabica shrub and harvested in the highlands of south America. The beans are sourced from a fair-trade certified organic coffee cooperative, and then roasted and blended exclusively for Miele by a private German roaster.

Available for purchase on 'Shop' Miele.com
Black Edition: Café Crema, Espresso, Decaf, One For All.

Requires a water line 💧



Miele CVA 7775 Coffee is prepared freshly ground according to type and the beans are selected from one of the three separate inner containers. Due to the demand-oriented automatic descaling and cleaning of milk lines and brewing unit via exchangeable cartridges, manual cleaning is no longer necessary. The illuminated, motor-driven spout adapts via sensor control to the cup heights and centrally dispenses the variety of hot beverages. The milk vessel can be inserted and removed in one movement from the front. All tanks and containers are optimized with regard to ergonomics and functionality. **This model comes equipped with DirectWater (plumbed) but can be switched to manual tank fill.**

ContourLine Configurations with Warming Drawers

10" Warming Drawer [Horizontal & Cube]



ESW 7570 [9 7/8] \$2,399.00
30 x 10 Warming Drawer

10" Warming drawer is recommended below all 18 7/8" tall appliance and can be combined horizontally with all 30" convection ovens. It works with ALL ContourLine Lifestyle appliances 30 x 19 - Speed (BM), Combi-Steam (DGC) Coffee system (CVA) **Note: Shelf support is NOT required between the above listed models and the ESW 7570.**

11" Warming Drawer [Stacked]



ESW 7580 [10 3/4] \$2,499.00
30 x 11 Warming Drawer

11" Warming drawer is recommended at the bottom of any 30" wide vertical stack. **Note: Shelf support IS required between a 30" Convection oven and ESW 7580 warming drawer.**

Panel Ready



ESW 6380 FB \$2,399.00
30 x 10 3/4 Warming Drawer

Recommended in a vertical stack or independent of other appliances

Combining Interfaces – M Touch and M Touch S are recommended together and DirectSensor, DirectSensor S and EasyControl are recommend together.

Generation 7000 VitroLine



VitroLine underlines its reserved and integrating style with a handle design that is integrated with the appliance colour.



Generation 7000 "VitroLine" is characterized by full glass fronts with a matching handle consisting of a high-quality metal carrier and a glass insert in graphite grey. This allows the VitroLine handle to blend harmoniously into the glass surface of the appliance. Miele-exclusive technological integrates features like; 'TasteControl', which automatically opens the oven door once cooking is finished to rapidly cool it and 'FoodView', an in-oven camera that can be followed on the Miele app, where users can also remotely adjust multiple functions.

VitroLine Colors Collection [GRGR - Gray, OBSW - Black, BRWS - White]

M Touch Interface



H 7880 BP \$7,999.00 💧
30" Convection Oven



DGC 7870 XL \$ 6,399.00
30 x 19 Combination-Steam Oven



H 7870 BM \$4,899.00
30 x 19 Speed Oven



DGC 7860 XXL \$6,099.00
24 x 24 Combination-Steam Oven
DGC 7865 XXL \$6,599.00 💧



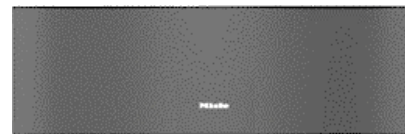
CVA 7845 \$5,799.00 💧
24 x 18 Coffee System

M Touch quick and intuitive navigation with tap or swipe extra large full-touch display **Miele App** Network and run function from your smart devices. **MotionReact** Light and display comes on when movement is detected. **FoodView** Camera inside oven compartment. **SoftOpen** Door opens with gentle movements all the way. **Touch2Open** Conveniently opens with a sensor control. **MultiLingua 30+** languages **Cool-touch Front** remains relatively cool even on the outside of the door.

*Miele Graphite Grey
NCS S 7502 B*

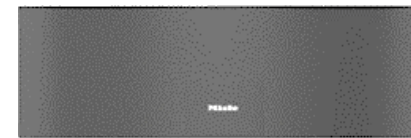
Please note: This is not a 100% colour match due to slight deviations in the colour itself and the colour will also vary based on the surface the colour is being applied to.

Horizontal Configuration
See PureLine page 13



ESW 7670 [9 7/8] \$2,399.00
30 x 10 Warming Drawer

Stacked Configuration
See PureLine page 13



ESW 7680 [10 3/4] \$2,499.00
30 x 11 Warming Drawer

Optional: **EBA 7848** \$429.00
30 x 18 Trim Kit for Coffee System



ESW 7010 [5 5/8] \$1,499.00
24 x 6 Warming Drawer

💧 Requires a water line

Generation 7000 ArtLine



Generation 7000 ArtLine is characterized by handleless glass front panels in graphite grey. Completely flush-mounted with a touch function opens the door gently and effectively. Miele-exclusive technological integrates features like; 'TasteControl', which automatically opens the oven door once cooking is finished to rapidly cool it and 'FoodView', an in-oven camera that can be followed on the Miele app, where users can also remotely adjust multiple functions.



ArtLine Graphite Grey Collection [GRGR – Gray]

M Touch Interface



H 7880 BPX GRGR \$7,999.00 💧
30" Convection Oven



DGC 7880X XXL GRGR \$7,099.00
30 x 25 Combi-Steam Oven



DGC 7870X GRGR \$ 6,599.00
30 x 19 Combi-Steam Oven



H 7870 BMX GRGR \$5,099.00
30 x 19 Speed Oven

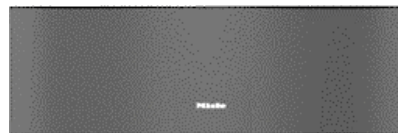


CVA 7845 GRGR \$5,799.00 💧
24 x 18 Coffee System

Optional: **EBA 7848 GRGR** \$499.00
30 x 18 Trim Kit for Coffee System

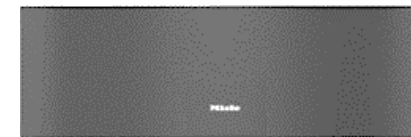
M Touch quick and intuitive navigation with tap or swipe extra large full-touch display **Miele App** Network and run function from your smart devices. **MotionReact** Light and display comes on when movement is detected. **FoodView** Camera inside oven compartment. **SoftOpen** Door opens with gentle movements all the way. **Touch2Open** Conveniently opens with a sensor control. **Multilingua 30+** languages **Cool-touch Front** remains relatively cool even on the outside of the door.

Horizontal Configuration
See PureLine page 13



ESW 7670 GRGR [9 7/8] \$2,399.00
30 x 10 Warming Drawer

Stacked Configuration
See PureLine page 13



ESW 7680 GRGR [10 3/4] \$2,499.00
30 x 11 Warming Drawer



ESW 7010 GRGR [5 5/8] \$1,499.00
24 x 6 Warming Drawer

💧 Requires a water line

Miele Graphite Grey
NCS S 7502 B

Please note: This is not a 100% colour match due to slight deviations in the colour itself and the colour will also vary based on the surface the colour is being applied to.

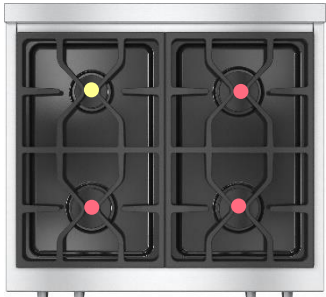
Range Collection



30" ContourLine Ranges | Induction | Gas | Electric

M Touch

● 12,500 ● 19,500



Total BTU Output 71,000

27 1/4"D (692)
w/ bullnose

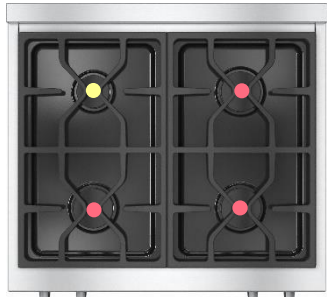


HR 1622-3 I \$8,599.00 💧
30" Induction w/ M Touch

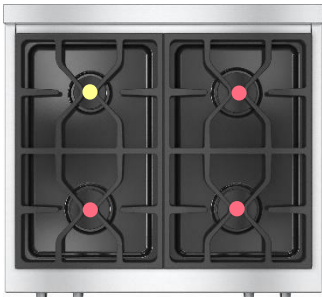
HR 1924-3 G DF \$7,999.00 💧
30" 4 Burner w/ M Touch Dual Fuel

EasyControl

● 12,500 ● 19,500



Total BTU Output 71,000



Total BTU Output 71,000



Future Release Date TBD

HR 1124-3 G AG \$6,499.00
30" 4 Burner All Gas

HR 1724-3 G DF \$6,999.00
30" 4 Burner Dual Fuel

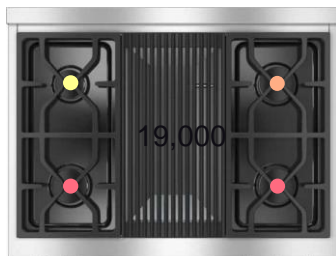
36" ContourLine Range | Dual Fuel | Gas

M Touch

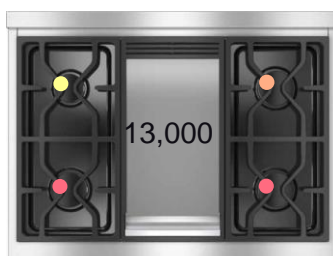
● 12,500 ● 13,600 ● 19,500



Total BTU Output 98,200



Total BTU Output 84,100



Total BTU Output 78,100



HR 1934-3 DF \$11,299.00 
36" 6 Burner Gas | Dual Fuel



HR 1935-3 DF GR \$12,299.00 
36" 4 Burner + Grill | Dual Fuel



HR 1936-3 DF GD \$12,299.00 
36" 4 Burner + Griddle | Dual Fuel

EasyControl

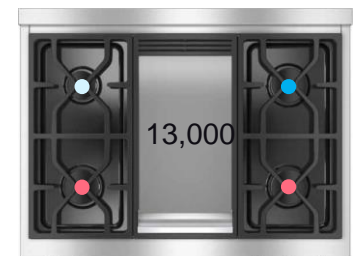
● 8,000 ● 9,000 ● 19,500



Total BTU Output 84,500



Total BTU Output 75,000



Total BTU Output 69,000




HR 1134-3 G \$7,799.00
36" 6 Burner | All Gas



HR 1135-3 G GR \$8,799.00
36" 4 Burner + Grill | All Gas



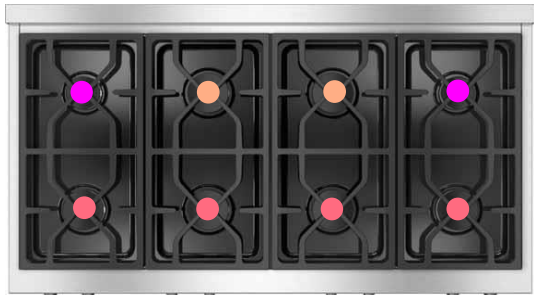
HR 1136-3 G GD \$8,799.00
36" 4 Burner + Griddle | All Gas

 Requires a water line

48" ContourLine Range | Culinary Cooking Center

M Touch

● 10,000 ● 13,600 ● 19,500



Total BTU Output 125,200



HR 1954-3 DF \$15,599.00 💧
48" 8 Burner | Dual Fuel [LP option]



Total BTU Output 111,100



HR 1955-3 DF GR \$16,799.00 💧
36" 6 Burner + Grill | Dual Fuel

💧 Requires a water line



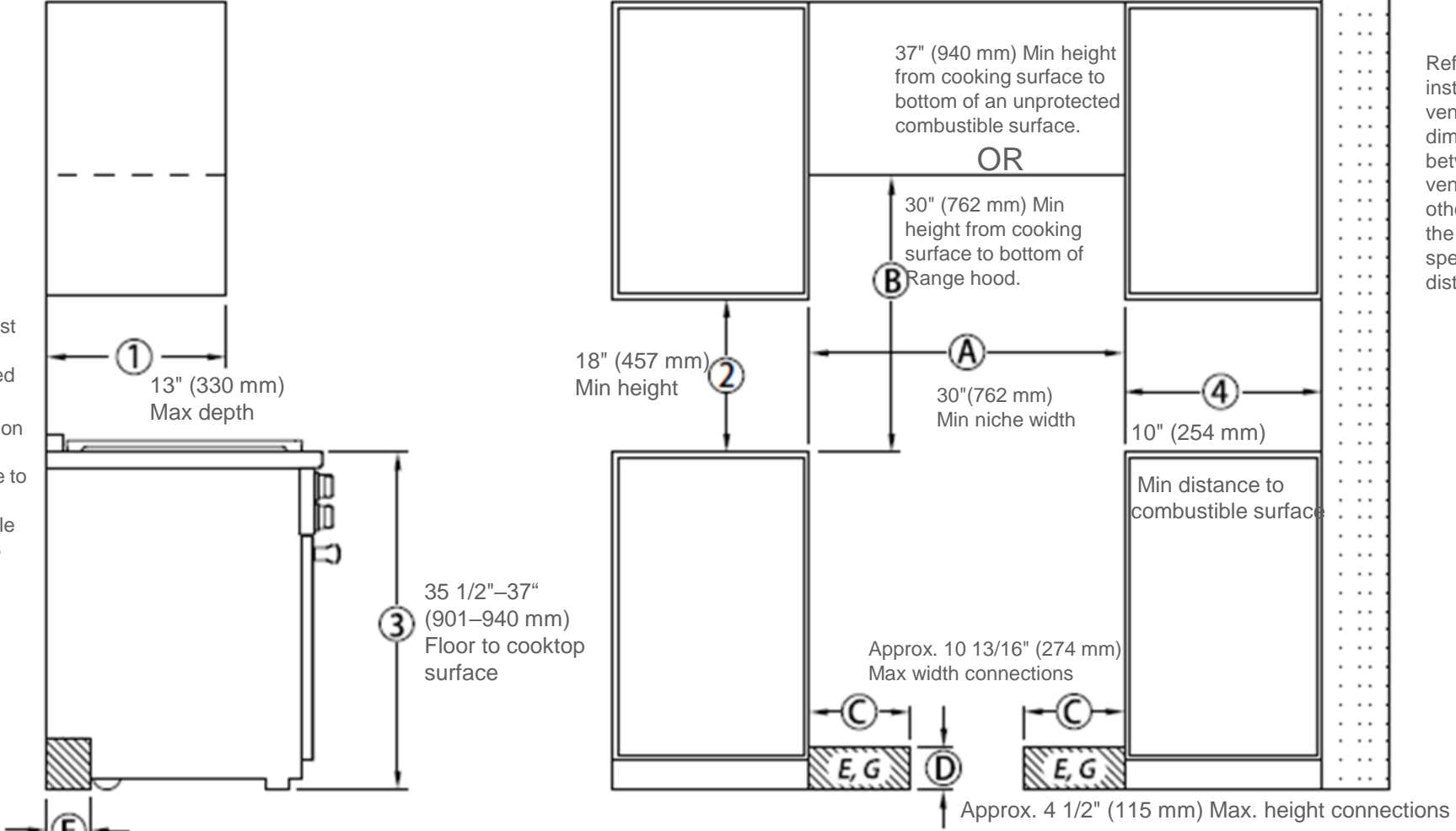
Total BTU Output 105,100



HR 1956-3 G DF GD \$22,399.00 💧
36" 6 Burner + Griddle | Dual Fuel [LP option]

30" Gas Range Notations

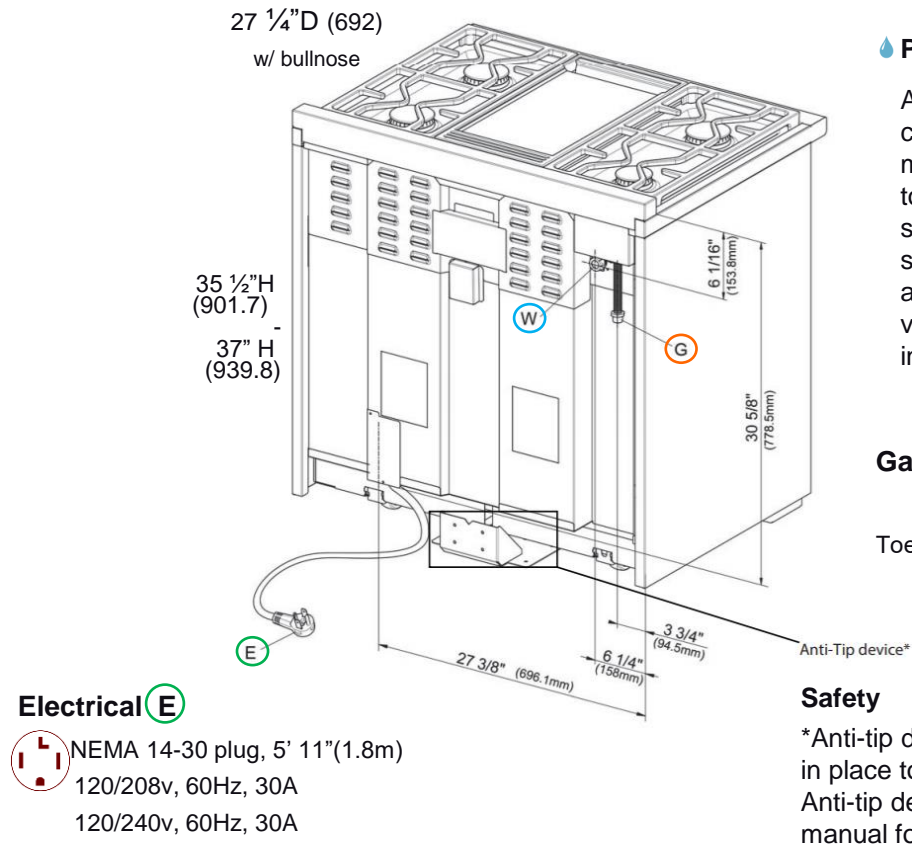
Please observe a safe clearance distance of at least 12" (305 mm) from combustible surfaces located behind the appliance. For zero clearance installation the Miele Back guards will satisfy the required distance to combustible surfaces. The Miele Back guard is available in 12" (305 mm) or 20" (508 mm) heights.



Refer to the Installation instructions for the Miele ventilation hood, Appliance dimensions (Distance between cooktop and ventilation hood (S) For all other hoods please consult the manufacturer's specifications for required distances.

Please refer to specific product manual for full installation instructions Miele.ca | All installations must be done in accordance to local codes

36" Range with Griddle Spec Notations [MTouch Plumbing Required]



Features

M Touch Display

- SoftOpen and SoftClose Door
- CleanTouch Steel Finish
- TwinPower Convection Fans
- CleanGlass Door
- Moisture Plus
- +100 Automatic programs
- 15 Automatic Plus programs
- ComfortSwivel Handle
- Wireless roast probe
- Residual Heat Utilization
- Dishwasher safe grates
- AirClean Catalyzer
- Favourites
- Individual Settings (27 languages)
- Gas(G) and Liquid propane (LP) options

EasyControl Display

- 7-Segment display
- SoftOpen/SoftClose Door
- CleanTouch Steel Finish
- TwinPower
- Convection Fans
- CleanGlass Door
- AirClean Catalyzer
- Residual Heat Utilization
- Dishwasher safe grates,
- Gas (G) or Liquid propane (LP) options

Gas Rangetops



KMR 1124-3 G \$3,699.00
30" 4 Burner | 71,000 BTU's



M Pro Dual Stacked burners with incredibly high BTU output with TrueSimmer control offers options to achieve limitless results
Direct control - Backlit Precision Knobs
Easy cleaning - dishwasher-safe ComfortClean grates
Convenient and safe - automatic re-ignition for all burners
Cast iron pot rests (matt black enamelled)

● 10,000 ● 12,500 ● 13,600 ● 19,500



TrueSimmer

Stacked Burners



27 1/4"D (692.2)
w/ bullnose

7 1/2"H
(692)

KMR 1134-3 G \$4,499.00
36" 6 Burner | 98,200 BTU's



KMR 1135-3 G \$4,999.00
36" 4 Burner + Grill | 84,100 BTU's



KMR 1136-3 GD \$4,999.00
36" 4 Burner + Griddle | 78,100 BTU's



KMR 1354-3 G \$5,599.00
48" 8 Burner | 125,200 BTU's

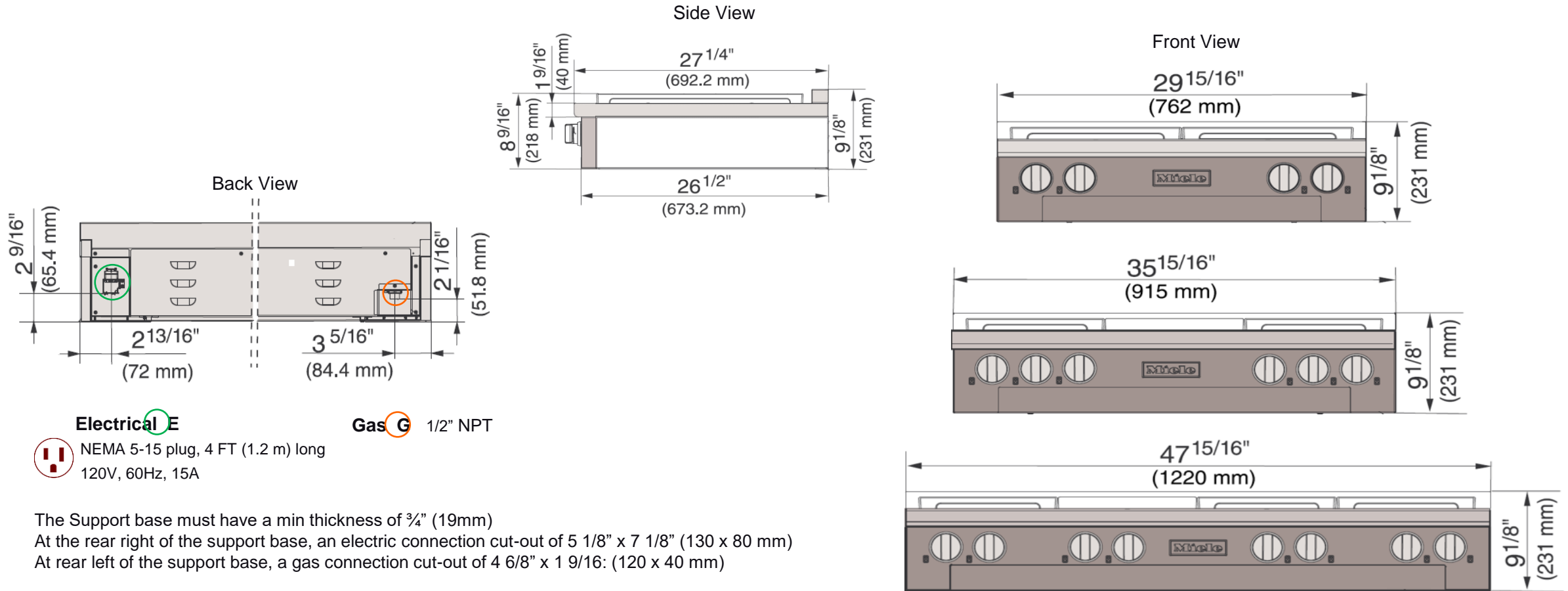


KMR 1355-3 G \$5,899.00
48" 6 Burner + Grill | 111,100 BTU's



KMR 1356-3 G GD \$5,899.00
48" 6 Burner + Griddle | 105,100 BTU's

Rangetop Spec Notations



Range Hoods | Inserts | Blowers



Duct Covers and blowers are sold separately



DAR 1220-3 \$2,199.00
30" Hood w/10" Duct | 700 or 1100 CFM



DAR 1230-3 \$2,299.00
36" Hood w/ 10" Duct | 700 or 1100 CFM



DAR 1250-3 \$2,499.00
48" Hood w/ 10" Duct | 1100 CFM



DAR 1130 \$1,699.00
36" Hood w/ 10" Duct | 700 or 1100 CFM



DAR 1150 \$1,899.00
48" Hood w/10" Duct | 1100 CFM

Blowers are sold separately

Recessed knob controls, Dishwasher-safe stainless steel baffle filters, 4 Fan speeds including Intensive, Hood interior with CleanCover, LED ClearView lighting, Auto-Vent safety sensor

Internal Blowers



DRIB XL \$699.00
700 CFM | 10" duct
w/ 8" reducing collar
[30" or 36" Units]



DRIB XXL \$749.00
1100 CFM | 10" Duct
[30",36",48", 60"Units]

External Blowers



DREB XL \$949.00
700 CFM | 10" duct
w/ 8" reducing collar
[30" or 36" Units]



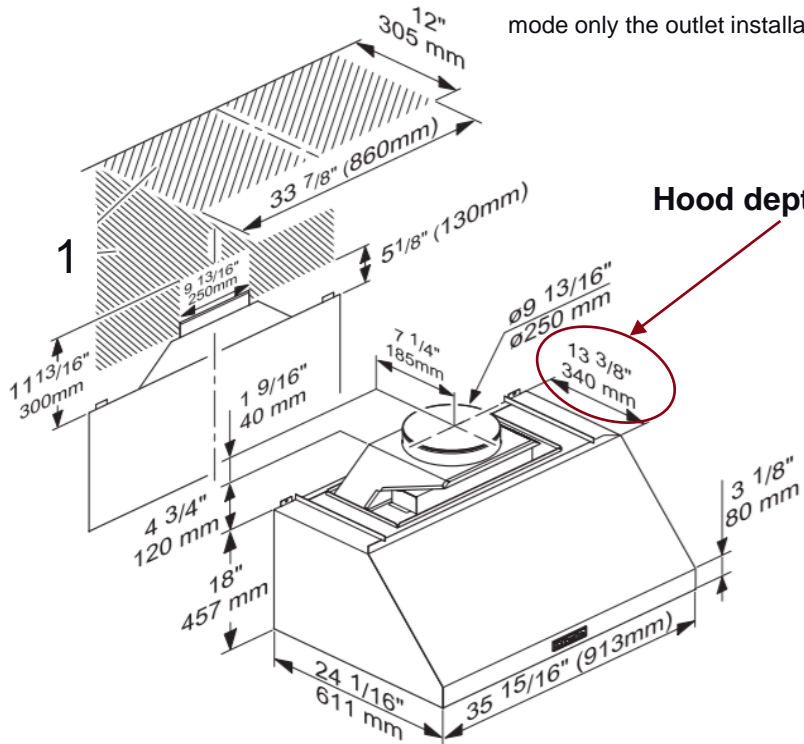
DREB XXL \$1,049.00
1100 CFM | 10" Duct
[30",36",48", 60" Units]

Blowers are required for Range Hoods | Sold separately from hoods

36" Range Insert | Hood Spec Notations

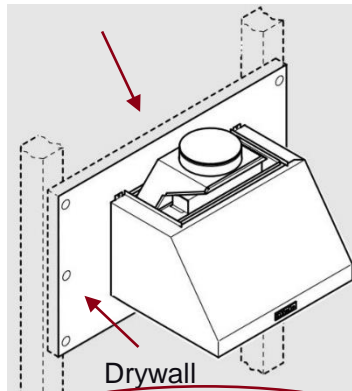
Range Hood DAR 1230

No 1. Installation Area; Wall/Ceiling area respectively for vent hole and outlet installation. For recirculation mode only the outlet installation is required.




Hood depth at top 13 3/8" D

Plywood backer required for installation

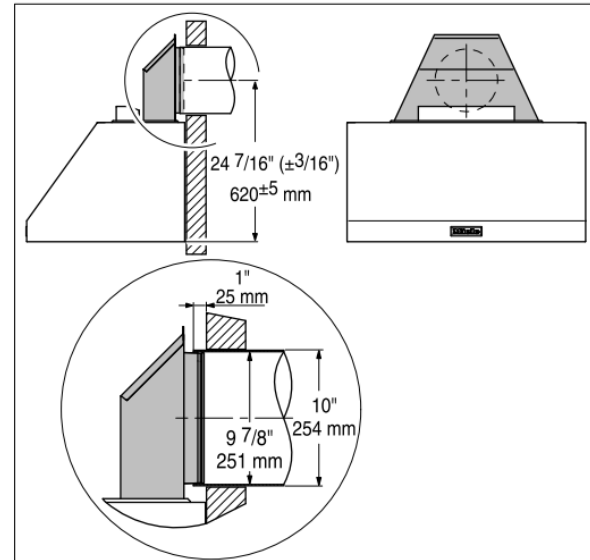


Note: Plywood backer required for installation on ALL Miele hoods

 NEMA 5 – 15A plug (2' 6" feet)
120, 60Hz, 15A

DRRV 1200

Rear extraction connection conversion kit for converting the exhaust socket from the top to the rear. Works with all DAR 12xx models



Features

Range Hood Insert

- Recessed knob controls
- Dishwasher-safe stainless baffle filters
- 4 Fan speeds including Intensive
- Hood interior with CleanCover
- LED ClearView lighting
- Auto-Vent safety sensor

Range Hood

- Vented or Recirculating Option
- Recessed knob controls
- M Pro Stainless Steel
- Dishwasher-safe stainless baffle filters
- 4 Fan speeds including Intensive
- Hood interior with CleanCover
- LED ClearView lighting
- Auto-Vent safety sensor

Range Insert | Hood Spec Notations

30" Range

20"
35 1/16"
13 3/8"
5" 18"
30" / 37"
104" / 111" min Ceiling Height

For Insert Hoods where unprotected combustible materials are present add 1" to required the distance from the cooking surface to underside of hood = 37"

36" / 48" Range

20"
35 1/16"
13 3/8"
5" 18"
36" / 37"
110" / 111" min Ceiling Height

For Insert Hoods where unprotected combustible materials are present add 1" to required the distance from the cooking surface to underside of hood = 37"

Rear Venting Kit

8"
26"
13 3/8"
5" 18"
30" / 37"
36" / 37"
92" / 98" / 99" min Ceiling Height

For homes with direct exterior wall vents. This will reduce the overall required height from 38" to 26" allowing for lower ceiling heights.
DRV1200 – DAR 12XX Series only.

Décor Hood Kit 30" / 36" Ranges only

30" | 489 CFM
30" / 31"
93" / 94" min Ceiling Height

BTU's are significantly reduced permitting a décor hood fan over the range. No Miele décor hood fan restrictions. For all other Hoods please consult the manufacturer's specifications for required distances. Available for 30" & 36" Range only.

Range | Range Hood Accessories

BACKGUARD



12" or 20"H
(305 or 508)

30", 36", 48" W x 12", 12" or 20"H

Highly recommended for AG ranges due to the potential of scorching delicate materials when using self cleaning mode

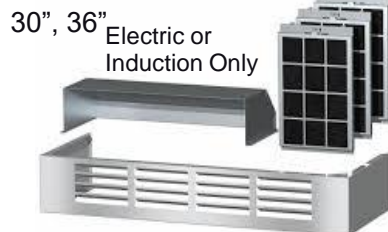
DUCT COVER



6"H
(152)

30", 36", 48", 60" W
X 6", 12", 18", 24" H

RECIRCULATION KIT



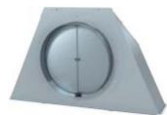
30", 36" Electric or Induction Only

BACKSPLASH



40"H
(1016)

30", 36", 48" W



REAR VENTING KIT
DRRV 1200 Series
[Range Hoods]

ACCESSORIES



Wok ring

Cover
RGGC 1000

Telescopic Rack

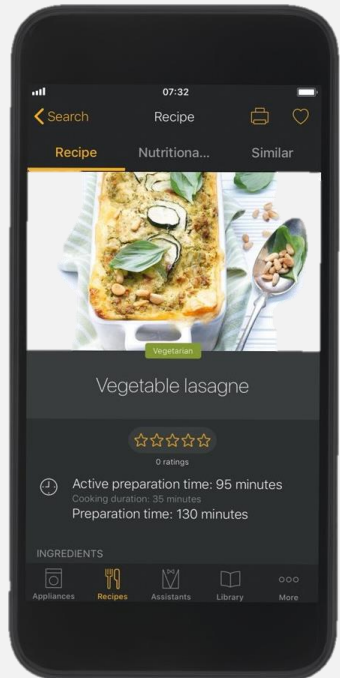




Miele App | Events

Networking your appliances opens up new ways of improving the convenience, quality, and safety of your dynamic lifestyle.

Recipes | FoodView | Appliance Status | Push notifications | Remote Operation



Our appliances are designed to enhance your lifestyle and we want to ensure you are getting the best possible use in your day to day life. Learn from our Chefs how to deliver professional results, at the touch of a button.

MasterClass | DiscoveryClass | Miele Owner Consultations | Range Cooking
Combination Cooking Steam Cooking | Convection Cooking | Miele Private Chef

Miele Over 120 Years of Innovation | Sustainability

July 1st, 1899 in an old saw and corn mill in Herzebrock, Germany Carl Miele and Reinhard Zinkann began manufacturing cream separators with a workforce of eleven employees.

120 years later with over 20,000 employees the two families continue to shape the company: the Miele and Zinkann families, now in the fourth generation of family ownership.

Miele is represented with its own sales subsidiaries and importers in about 100 countries. After Germany, the USA and Australia are the regions with the highest turnover. Asia constitutes the biggest growth market, with Canada, Austria and Russia also featuring prominently.

Miele employs 20,500 people of which 11,050 are in Germany. With eight production plants in Germany as well as one plant each in Austria, the Czech Republic, China and Romania. Miele headquarters is located in Gütersloh, Germany.



(Left) Executive Directors and Co-Proprietors, Dr. Markus Miele, Dr. Reinhard Zinkann and Miele Canada President, Nelson Fresco



“Miele is the most sustainable company in the industry – and is also perceived as such!”.

By the end of 2021 Miele will be CO₂ neutral with drastic reductions in CO₂ emissions at product facilities. [Heating, consumption of electricity and fuels]

50% EMISSION REDUCTIONS WILL BE ACHIEVED BY 2030 THROUGH THE INSTALLATION OF PHOTOVOLTAIC MODULES. (SOLAR PANELS) ALL FACILITIES WILL BECOME PV GENERATING PLANTS.

Natural resources & Materials



We use a high proportion of recyclable materials and secondary raw materials.

Energy & Emissions



We are continually working to reduce our energy consumption and the CO₂ emissions generated by our business activities.

Transportation



Our goal is to minimize the impact of transportation on the environment and the climate as much as possible. 84% of goods are transported as sea freight, just less than 3% by rail, 12% by road and less than 1% by air.

Waste & water



We strive to avoid waste - In production, we reuse materials, and where that option is not feasible, we recycle them. We continually look for ways to reduce our water consumption throughout our plants.