

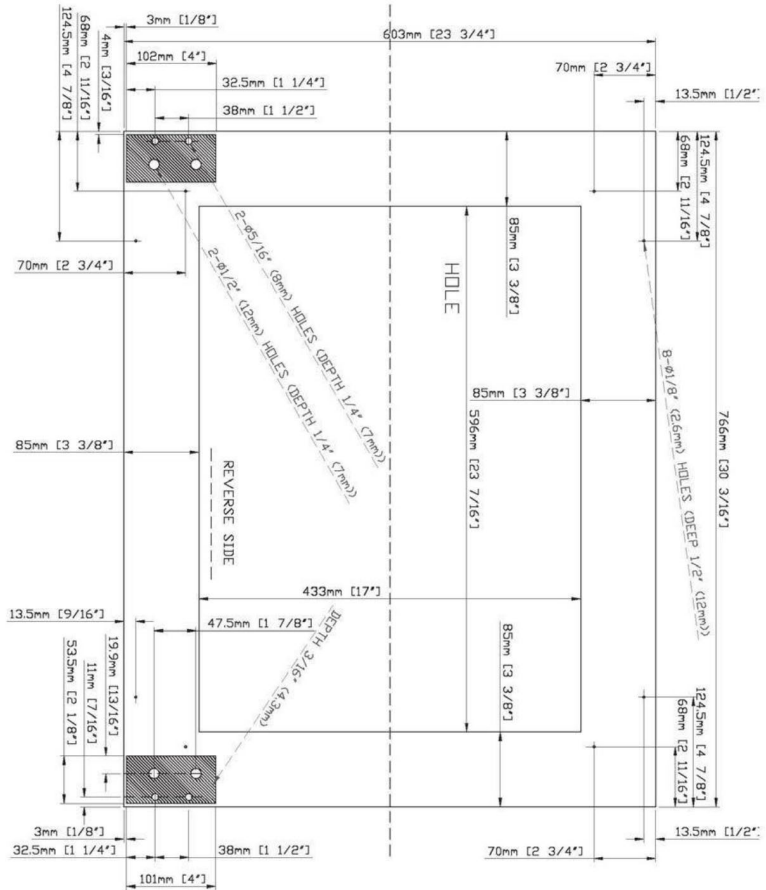


Under-Counter

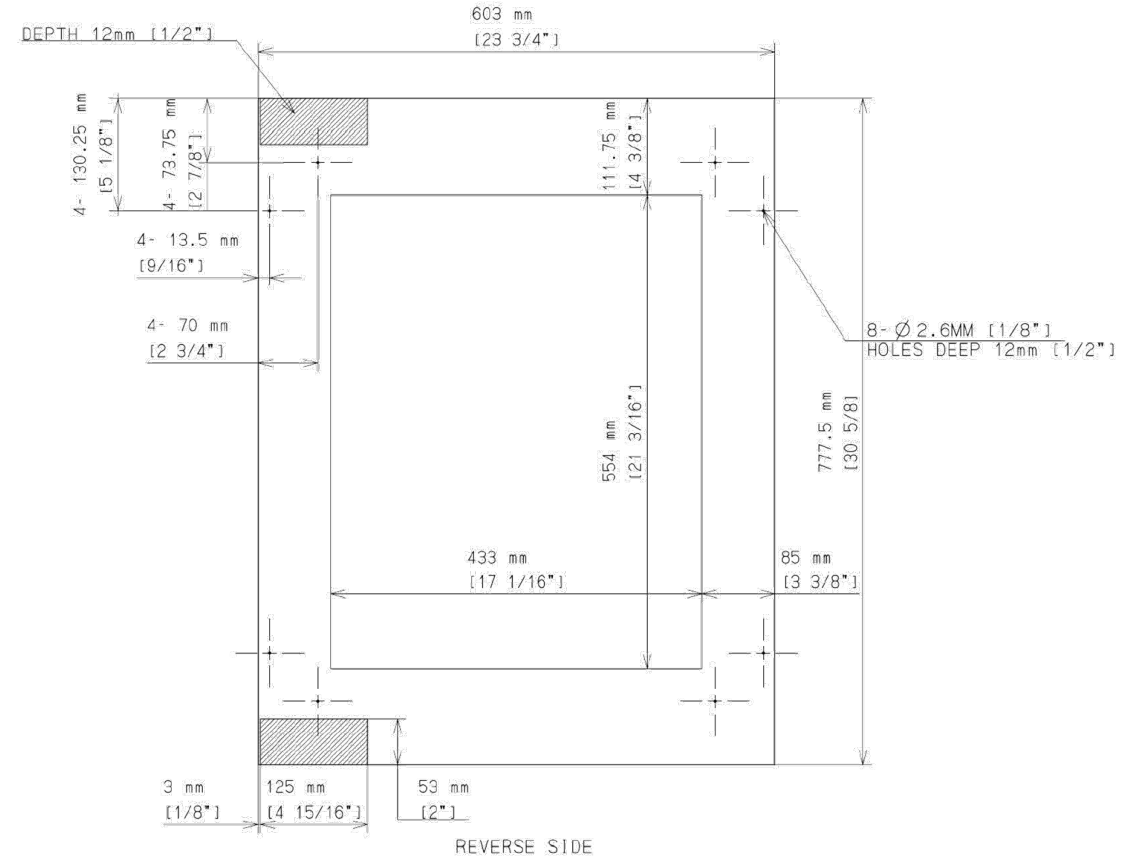
Panel Dimensions comparison
Glass Door

Thermador[®]

900 Series

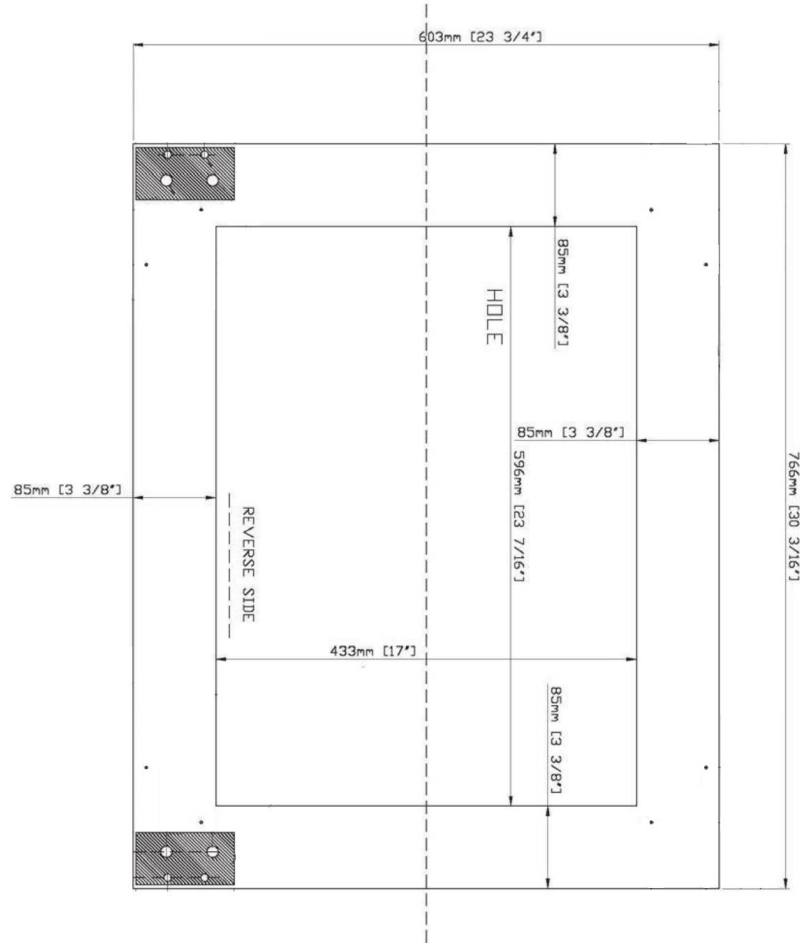


905 Series

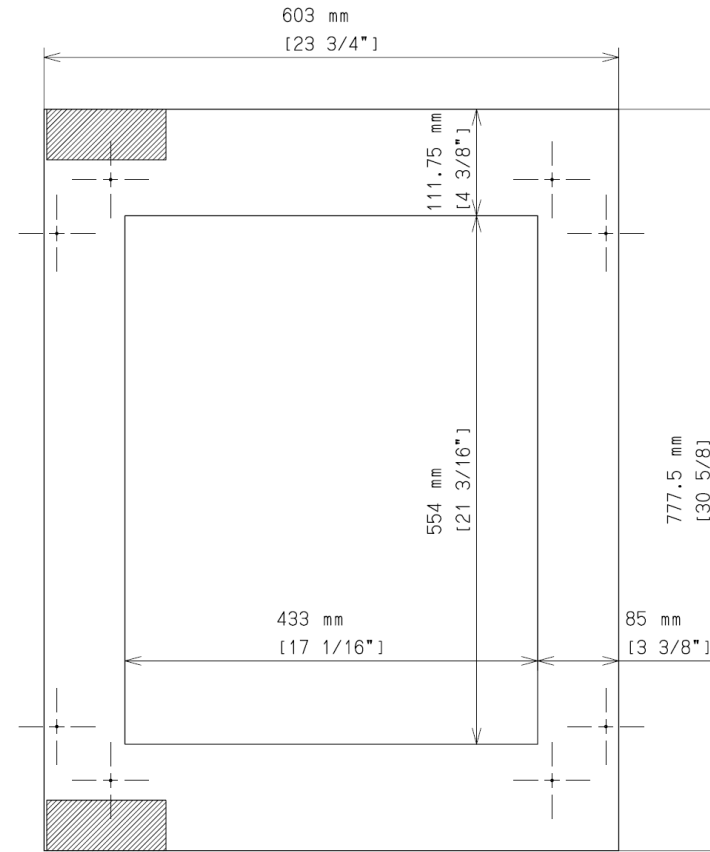


GENERAL MEASUREMENTS

900 Series



905 Series



Total panel dimensions changes are as follows:

Height: 766 mm to 777.5 mm

Width: no change 603 mm

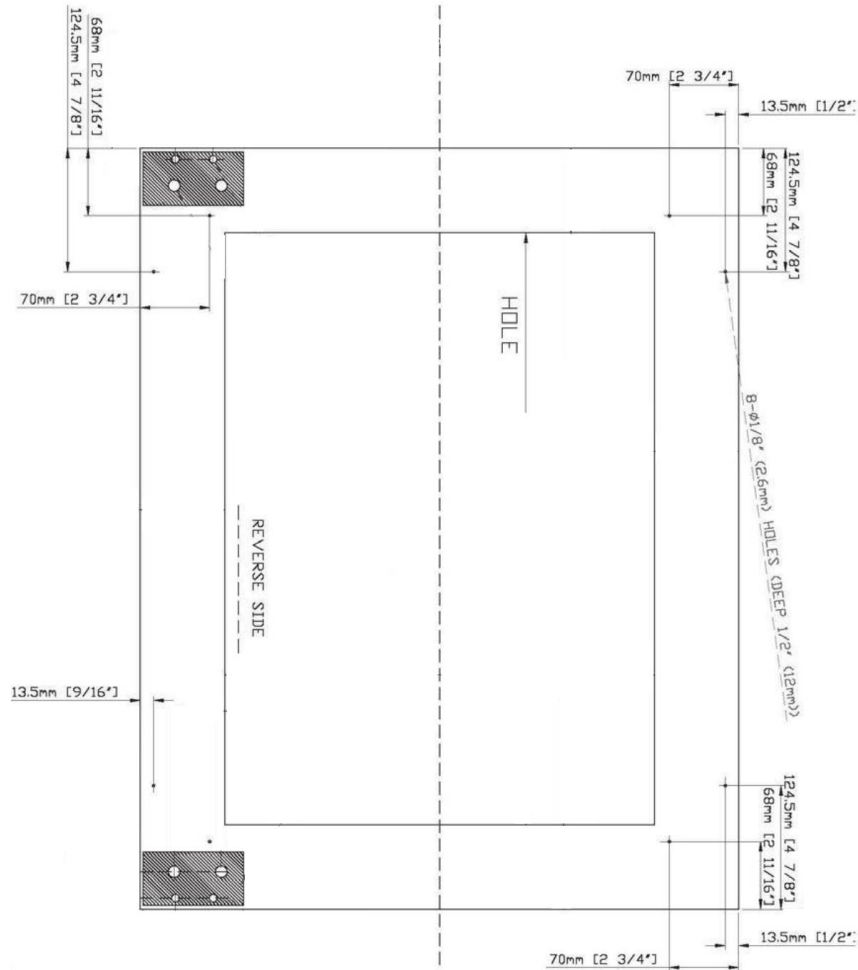
Depth: no change 19 mm

Window dimensions changes are as follows:

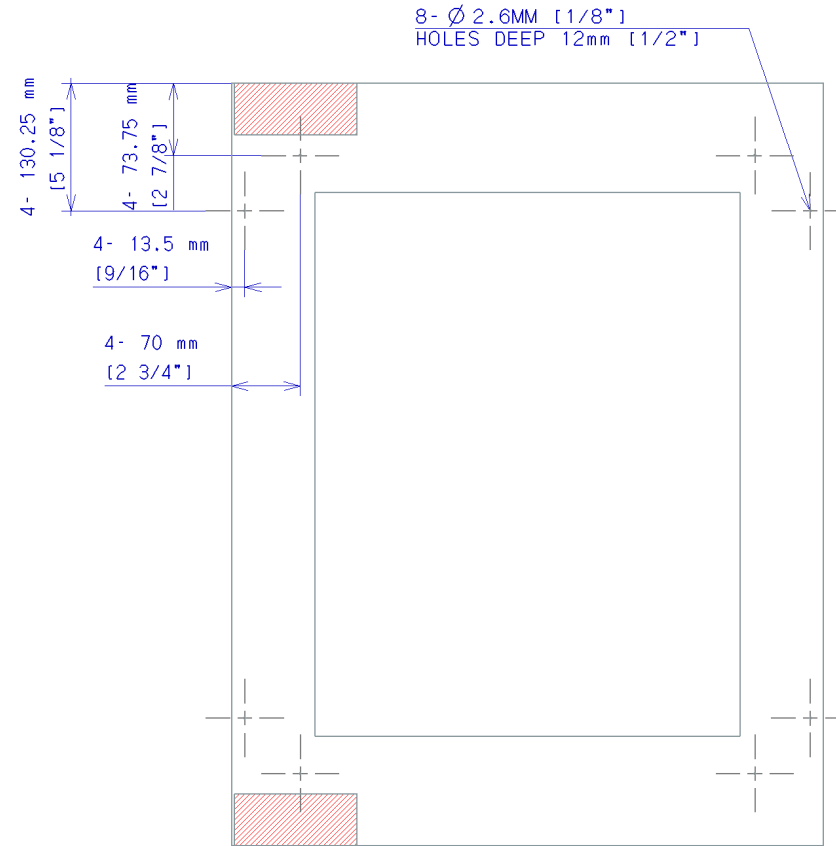
Height: 595 mm to 554 mm

Width: no change 433 mm

PANEL HOLES POSITIONS



900 Series



905 Series

The hole positions changes are as follows:

For the holes closer to the sides edges

Distance to side edge: no change 13.5 mm

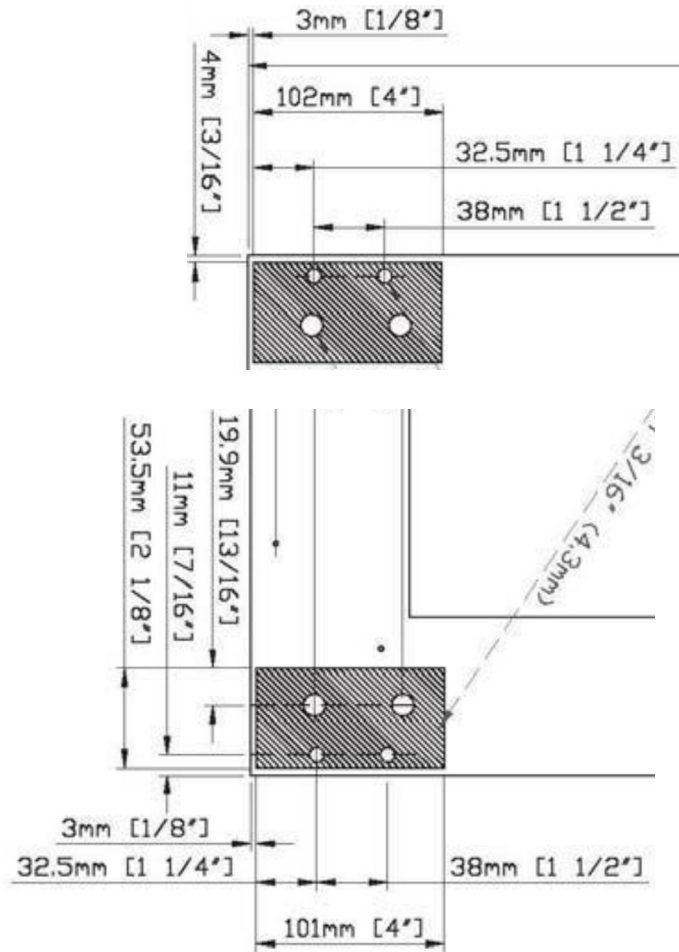
Distance to top/bottom edge: 124.5 mm to 130.25 mm

For the holes closer to the top/bottom edges

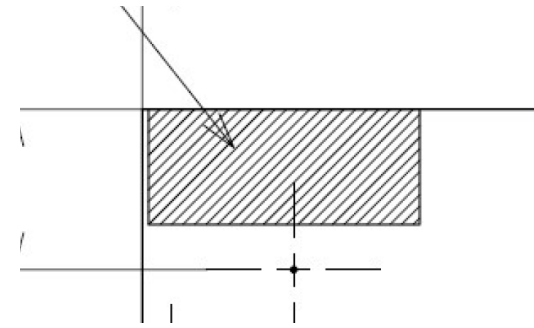
Distance to side edge: no change 70 mm

Distance to top/bottom edge: 68 mm to 73.75 mm

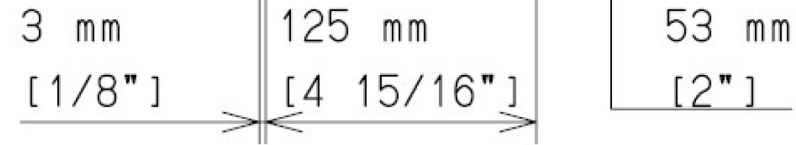
900 Series



The cavities for the hinge position do not require any holes for screws



905 Series



The general dimensions (both cavities) change as shown:

Width: 101mm to 125mm

Height: 53.5mm to 53mm

Depth: 4.3mm to 12mm

Distance to side edge: no change 3mm



THANK YOU!
