

LIEBHERR

Quality, Design and Innovation



Effective
February 2021

ALMO[®]
Premium Appliances
Distribution on a *Personal Level*

LIEBHERR

Quality, Design and Innovation

Over 65 years of producing high-quality products

Liebherr is a third-generation, family-owned company founded by Hans Liebherr in 1949, with the creation of the first-ever tower crane. With more than 65 years of success, Liebherr has become synonymous with the equipment needed to build homes, and the appliances within them.

As one of the world's largest manufacturers of construction machinery, Liebherr has expanded to eleven divisions with a wide array of product areas, including: earthmoving, mining, mobile cranes, tower cranes, concrete technology, maritime cranes, aerospace and transportation systems, machine tools and automation systems, components, hotels, and refrigeration products.

Liebherr Group currently employs over 42,000 persons in more than 130 companies spanning 50 countries worldwide. Liebherr Appliances is Europe's largest privately owned manufacturer of refrigerators and freezers for residential and commercial use, with an annual production of over 2.1 million units.





Icon Features

ADA Compliant

ADA compliant, designed to fit under counter heights between 32" and 34".

Ice Maker

Ice Maker automatic with fixed water connection produces perfect half-moon crescent ice cubes and keeps a constant supply on hand.

LED

LED lighting is energy efficient, long-lasting, and maintenance-free. It illuminates the refrigerator to ensure that your foods are visible.

Telescopic Rails

Telescopic rails a self-closing system for both freezer drawers ensures easy and convenient handling.

Soft System

SoftSystem integrated into the appliance door, cushions the door closure, thus eliminating slamming, even when the shelves are fully loaded.

Soft Telescopic

SoftTelescopic a highly practical self-retracting, self-closing feature - makes daily use convenient and secure.

Duo Cooling

DuoCooling controls the temperature in refrigerator/freezers with precision.

Tip Open

TipOpen technology is the perfect answer for hands-free kitchen designs. Tap lightly and the glass door partially opens.

Bio Fresh

BioFresh technology guarantees the perfect climate for superior, long-lasting freshness.

Bio Cool

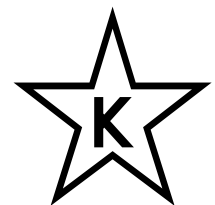
BioCool regulates humidity to keep fruits and vegetables fresher for longer.

Smart Steel

SmartSteel finish significantly reduces the visibility of fingerprints, is easy to clean, and is scratch resistant.



Energy Star helps reduce energy consumption and greenhouse emissions in an effort to reduce damaging effects on the environment.



Star-K, certain models are certified as Sabbath compliant by the Star-K organization. Designed to meet the needs of all Kosher users.

Why Buy

LIEBHERR

Almo Premium
PROMISE



Advanced Food Preservation

Liebherr's advanced food preservation technologies guarantee the perfect environment for all foods. Biofresh, DuoCooling, and precise digital controls are just a few performance-enhancing features that contribute to superior, long-lasting food freshness.



Diverse Design Options

Multiple size configurations, installation options, and choice of personalized finishes allow for perfect integration into any dream kitchen. Whether for food or wine, indoors or out, as a focal piece or under-counter, Liebherr appliances offer diverse refrigeration solutions for any space.



Silent Operation

Variable Speed compressors are always operating at optimal capacity, ensuring maximum food preservation. Combined with soft-start technology, these compressors offer quiet operation and minimal electrical surge at start-up.



Better Use of Space

Innovative storage features allow for optimal organization and easy access to favorite foods; helping to reduce food waste and preserve mineral content in organic produce. Divisible and interchangeable glass shelves, FlexSystem, FrostSafe drawers, VarioSpace, and gallon-storage in the door, make it easy for owners to make efficient and smart use of Liebherr products.



ActiveGreen® Initiative

Liebherr utilizes progressive practices such as recovering and reutilizing energy to heat buildings, using 100% recyclable packaging, and using purified water to ensure that production is pollution free; all with the goal of having the least damaging effect on the environment.



2-5-12 Warranty

Liebherr offers one of the most comprehensive warranties in the industry.
Full Two-Year Warranty
Full Five-Year Warranty
Limited 6-12 Year Warranty
For service information please contact
service-appliances.us@liebherr.com

LIEBHERR

Quality, Design and Innovation

Freestanding/Semi Built-in	6
Freestanding/ Semi Built In Accessories	12
Ventilation Requirements For Pantry Models	14
Fully Integrated Models	15
Fully Integrated Accessories	22
Undercounter Models	24
Wine Cabinets	30
Wine Accessories	36
Undercounter Accessories	37
Warranty & Service	39

Pricing, Terms and Conditions are subject to change without notice.

Not responsible for errors or omissions.

MAP pricing is pursuant to **Liebherr** MAP policy guidelines. Retailers set their own pricing.

Freestanding/Semi **Built-in**



CS-1210 Comfort



CS-1360B Comfort



MSRP	MAP	BLDR	MSRP	MAP	BLDR
\$2,129	\$2,029	\$1,929	\$2,509	\$2,359	\$2,299

Features	CS-1210	CS-1360B
Energy consum. (kWh/y) / Est. Yearly Energy Cost in US \$ *	370 / 44	480 / 58
Sound rating dB(A) **	42	42
Refrigerator capacity cu.ft. (l)	7.8 (220)	9.4 (267)
Freezer capacity cu.ft. (l)	3.3 (94)	3.3 (94)
Number of shelves / Number of door racks	4 / 4	5 / 4
Number of FrostSafe drawers	3	3
Number of fruit and vegetable drawers	2 with LED lighting	2 with LED lighting
Electronic control	MagicEye with LCD temp. display, touch electronic	MagicEye with LCD temp. display, touch electronic
Refrigerator temperature range °F (°C)	+36°F to +45°F (+2°C to +7°C)	+36°F to +45°F (+2°C to +7°C)
Freezer temperature range °F (°C)	+7°F to -17°F (-14°C to -27°C)	+7°F to -17°F (-14°C to -27°C)
Defrost type	automatic	automatic
Interior light	LED ceiling lighting	LED ceiling lighting
Ice Maker	No	Yes
Ice cube output lbs. (kg)/24h / Ice cube stock lbs. (kg)	N/A	3.1 (1.4) / 6.6 (3.0)
Door hinges	right, reversible	right, reversible
Product dimensions (H/W/D) in. (cm)	71 11/16" / 23 5/8" / 24 13/16" (182/60/63)	79 9/16" / 23 5/8" / 24 13/16" (202/60/63)
Cut out dimensions (H/W/D) in. (cm)	73" / 24 1/16" / 24 1/16" (185.4/61/61)	80" / 24 1/16" / 24 1/16" (203.2/61/61)
Net weight lbs. (kg)	180.8 (82.0)	196.2 (89.0)
Voltage V/Hz	115/60	115/60

Hinge	Left	Right	Left	Right
	CS 1210-L	CS 1210	CS 1360B-L	CS-1360B

Available Accessories	BLDR		BLDR	
9096034	N/A		Aftermarket External Water Filter Kit	\$163
9901555	24" / 30" Side by Side Kit SS	\$328	24" / 30" Side by Side Kit SS	\$328
9901557	Stainless Steel, Oval Handle for 24" and 30" Free Standing	\$187	Stainless Steel, Oval Handle for 24" and 30" Free Standing	\$187
7113023	Bottle Rack	\$24	Bottle Rack	\$24

- Estimated energy cost will depend on utility rates and use. Estimated energy cost based on a national average electricity cost of 12 cents per kWh.
- Noise output – according to EN 60704-3.
- BioFresh bins temperatures 32°F (0°C).

Freestanding/Semi **Built-in**



CS-1321 Premium



CBS-1360 Premium



MSRP	MAP	BLDR	MSRP	MAP	BLDR
\$3,249	\$2,999	\$2,899	\$3,749	\$3,499	\$3,399

Features	
Energy consum. (kWh/y) / Est. Yearly Energy Cost in US \$ *	380 / 46 480 / 58
Sound rating dB(A) **	42 41
Refrigerator capacity cu.ft. (l)	9.4 (267) 8.7 (246)
BioFresh comp. cu.ft. (l)	N/A 3.0 (85)
Freezer capacity cu.ft. (l)	3.3 (94) 3.3 (94)
Number of shelves / Number of door racks	5 / 4 4 / 3
Number of FrostSafe drawers	3 with LED lighting 3 with LED lighting
Number of BioFresh drawers	N/A 2 with LED lighting
Number of fruit and vegetable drawers	1 with LED lighting N/A
Electronic control	MagicEye with LCD temp. display, touch electronic MagicEye with LCD temp. display, touch electronic
Refrigerator temperature range °F (°C) ***	+36°F to +45°F (+2°C to +7°C) +36°F to +45°F (+2°C to +7°C)
Freezer temperature range °F (°C)	+7°F to -17°F (-14°C to -27°C) +7°F to -17°F (-14°C to -27°C)
Defrost type	automatic automatic
Interior light	LED light column on both sides LED light column on both sides
Ice Maker	No Yes
Ice cube output lbs. (kg)/24h / Ice cube stock lbs. (kg)	N/A 3.1 (1.4) / 6.6 (3.0)
SoftSystem / Door hinges	yes / left, reversible yes / right, reversible
Product dimensions (H/W/D) in. (cm)	79 9/16" / 23 5/8" / 24 13/16" (202/60/63) 79 9/16" / 23 5/8" / 24 13/16" (202/60/63)
Cut out dimensions (H/W/D) in. (cm)	80" / 24 1/16" / 24 1/16" (203.2/61/61) 80" / 24 1/16" / 24 1/16" (203.2/61/61)
Net weight lbs. (kg)	200.6 (91.0) 213.8 (97.0)
Voltage V/Hz	115/60 115/60
Possible Side-by-Side combination	CS 1321 & CBS 1360 CS 1321 & CBS 1360

Hinge	Left	Right	Left	Right
	CS 1321	CS 1321-R	CBS-1360-L	CBS-1360

Available Accessories	BLDR	BLDR
9901555	24"/ 30" Side by Side Kit SS \$328	24"/ 30" Side by Side Kit SS \$328
9900368	48" Top Vent for 84" Installation \$279	48" Top Vent for 84" Installation \$279
9096034	N/A	Aftermarket External water filter \$163

- Estimated energy cost will depend on utility rates and use. Estimated energy cost based on a national average electricity cost of 12 cents per kWh.
- Noise output – according to EN 60704-3.
- BioFresh bins temperatures 32°F (0°C).

Freestanding/Semi **Built-in**



CS-1400R Comfort



CS-1400R-IM/ CS-1401R-IM Comfort



MSRP	MAP	BLDR	MSRP	MAP	BLDR
\$2,359	\$2,159	\$2,059	\$2,459	\$2,259	\$2,159

Features	CS-1400R	CS-1400R-IM/CS-1401R-IM
Energy consum. (kWh/y) / Est. Yearly Energy Cost in US \$ *	380 / 46	465 / 56
Sound rating dB(A) **	42	42
Refrigerator capacity cu.ft. (l)	9.8 (277)	9.8 (277)
Freezer capacity cu.ft. (l)	3.0 (86)	3.0 (86)
Number of shelves / Number of door racks	4 / 4	4 / 4
Number of FrostSafe drawers	2	3
Number of fruit and vegetable drawers	2 with LED lighting	2 with LED lighting
Electronic control	MagicEye with LCD temp. display, touch electronic	MagicEye with LCD temp. display, touch electronic
Refrigerator temperature range °F (°C)	+36°F to +45°F (+2°C to +7°C)	+36°F to +45°F (+2°C to +7°C)
Freezer temperature range °F (°C)	+7°F to -17°F (-14°C to -27°C)	+7°F to -17°F (-14°C to -27°C)
Defrost type	automatic	automatic
Interior light	LED ceiling lighting	LED ceiling lighting
Ice Maker	No	Yes
Ice cube output lbs. (kg)/24h / Ice cube stock lbs. (kg)	N/A	3.1 (1.4) / 5.5 (2.5)
SoftSystem / Door hinges	yes / right, reversible	yes / right, reversible
Product dimensions (H/W/D) in. (cm)	66 3/16" / 29 9/16" / 24 13/16" (168/75/63)	66 3/16" / 29 9/16" / 24 13/16" (168/75/63)
Cut out dimensions (H/W/D) in. (cm)	67" / 30" / 24 1/16" (170.1/76.2/61)	67" / 30" / 24 1/16" (170.1/76.2/61)
Net weight lbs. (kg)	205.0 (93.0)	211.6 (96.0)
Voltage V/Hz	115/60	115/60

Hinge	Left	Right	Left	Right
	CS 1400R-L	CS 1400R	CS-1401R-IM	CS 1400R-IM

Available Accessories	BLDR	BLDR
9901555	24" / 30" Side by Side Kit SS \$328	24" / 30" Side by Side Kit SS \$328
9901521	60" Top vent for 1400R 67" to 72" \$187	60" Top vent for 1400R 67" to 72" \$187
9901523	30" Top vent for 1400R 67" to 72" \$144	30" Top vent for 1400R 67" to 72" \$144
7113257	Bottle Rack \$48	Bottle Rack \$48
9901557	Stainless steel, Oval handle for 24" and 30" Free Standing \$187	Stainless steel, Oval handle for 24" and 30" Free Standing \$187

- Estimated energy cost will depend on utility rates and use. Estimated energy cost based on a national average electricity cost of 12 cents per kWh.
- Noise output – according to EN 60704-3.
- BioFresh bins temperatures 32°F (0°C).

Freestanding/Semi **Built-in**



CS -1410 Comfort



CS -1640B Comfort



MSRP	MAP	BLDR	MSRP	MAP	BLDR
\$3,019	\$2,769	\$2,669	\$3,649	\$3,399	\$3,299

Features		
Energy consum. (kWh/y) / Est. Yearly Energy Cost in US \$ *	380 / 46	496 / 60
Sound rating dB(A) **	42	42
Refrigerator capacity cu.ft. (l)	11.7 (331)	11.7 (331)
Freezer capacity cu.ft. (l)	3.0 (86)	4.3 (121)
Number of shelves / Number of door racks	4 / 4	4 / 4
Number of FrostSafe drawers	2	4
Number of fruit and vegetable drawers	2 with LED lighting	2 with LED lighting
Electronic control	MagicEye with LCD temp. display, touch electronic	MagicEye with LCD temp. display, touch electronic
Refrigerator temperature range °F (°C)	+36°F to +45°F (+2°C to +7°C)	+36°F to +45°F (+2°C to +7°C)
Freezer temperature range °F (°C)	+7°F to -17°F (-14°C to -27°C)	+7°F to -17°F (-14°C to -27°C)
Defrost type	automatic	automatic
Interior light	LED ceiling lighting	LED ceiling lighting
Ice Maker	No	Yes/ Water Tank No Water Connection
Ice cube output lbs. (kg)/24h / Ice cube stock lbs. (kg)	N/A	3.1 (1.4) / 4.4 (2.0)
SoftSystem / Door hinges	yes / right, reversible	yes / right, reversible
Product dimensions (H/W/D) in. (cm)	73 1/4" / 29 9/16" / 24 13/16" (186/75/63)	79 9/16" / 29 9/16" / 24 13/16" (202/75/63)
Cut out dimensions (H/W/D) in. (cm)	73 13/16" / 30" / 24 1/16" (187.4/76.2/61)	80" / 30" / 24 1/16" (203.2/76.2/61)
Net weight lbs. (kg)	213.8 (97.0)	235.9 (107.0)
Voltage V/Hz	115/60	115/60

Hinge	Left CS 1410-L	Right CS-1410	Left CS-1640B-L	Right CS-1640B
Available Accessories	BLDR		BLDR	
9901555	24"/ 30" Side by Side Kit SS	\$328	24"/ 30" Side by Side Kit SS	\$328

- Estimated energy cost will depend on utility rates and use. Estimated energy cost based on a national average electricity cost of 12 cents per kWh.
- Noise output – according to EN 60704-3.
- BioFresh bins temperatures 32°F (0°C).

Freestanding/Semi **Built-in**



CBS-1660/ CBS-1661 Premium 30"

CS-2080/CS-2081 PremiumPlus 36"



MSRP	MAP	BLDR	MSRP	MAP	BLDR
\$4,299	\$3,899	\$3,799	\$6,599	\$5,999	\$5,699

Features	CBS-1660/ CBS-1661	CS-2080/CS-2081
Energy consum. (kWh/y) / Est. Yearly Energy Cost in US \$ *	488 / 59	532 / 64
Sound rating dB(A) **	41	45
Refrigerator capacity cu.ft. (l)	10.7 (303)	13.5 (382)
BioFresh comp. cu.ft. (l)	3.6 (103)	N/A
Freezer capacity cu.ft. (l)	4.3 (121)	6.0 (170)
Number of shelves / Number of door racks	4 / 3	3 / 6
Number of FrostSafe drawers	4 with LED lighting	2 with LED lighting
Number of BioFresh drawers	2 with LED lighting	N/A
Number of fruit and vegetable drawers	N/A	3 with LED lighting
Electronic control	MagicEye with LCD temp. display, touch electronic	MagicEye with digital temp. display, touch electronic
Refrigerator temperature range °F (°C) ***	+36°F to +45°F (+2°C to +7°C)	+36°F to +45°F (+2°C to +7°C)
Freezer temperature range °F (°C)	+7°F to -17°F (-14°C to -27°C)	+7°F to -17°F (-14°C to -27°C)
Defrost type	automatic	automatic
Interior light	LED light column on both sides	LED light column and LED ceiling lighting
Water filter	N/A	yes
Ice Maker	Yes	Yes
Ice cube output lbs. (kg)/24h / Ice cube stock lbs. (kg)	3.1 (1.4) / 4.4 (2.0)	3.1 (1.4) / 7.9 (3.6)
SoftSystem / Door hinges	yes / right, reversible	- / right
Product dimensions (H/W/D) in. (cm)	79 9/16" / 29 9/16" / 24 13/16" (202.7/75/63)	79 13/16" / 35 7/8" / 24 1/4" (202.7/91/61.5)
Cut out dimensions (H/W/D) in. (cm)	80" / 30" / 24 1/16" (203.2/76.2/61)	80" / 35 7/8" / 24 1/16" (203.2/91/61)
Voltage V/Hz	115/60	115/60
Possible Side-by-Side combination	CBS 1661 & CBS 1660	CS-2080 & CS-2081

Hinge	Left	Right	Left	Right
	CBS-1661	CBS-1660	CS-2081	CS-2080

Available Accessories	BLDR		BLDR	
7440002	N/A		Replacement water filter	\$59
7112325	Bottle Rack	\$48	N/A	
9900221	N/A		36" Side by Side Kit SS	\$564
9900277	N/A		36" Top Vent Grill for 36" Freestanding	\$244
9901555	24"/ 30" Side by Side Kit SS	\$328	N/A	
9901557	Stainless steel, Oval handle for 24" and 30", Free Standing	\$187	N/A	

Freestanding/Semi **Built-in**



CS-2082 PremiumPlus

◀36"▶



CBS-2082 PremiumPlus

◀36"▶



MSRP	MAP	BLDR	MSRP	MAP	BLDR
\$7,009	\$6,459	\$5,999	\$7,549	\$6,899	\$6,499

Features		CS-2082	CBS-2082
Energy consum. (kWh/y) / Est. Yearly Energy Cost in US \$ *		533 / 64	528 / 63
Sound rating dB(A) **		44	44
Refrigerator capacity cu.ft. (l)		13.5 (382)	12.8 (365)
BioFresh comp. cu.ft. (l)		N/A	2.5 (69)
Freezer capacity cu.ft. (l)		6.0 (170)	6.0 (170)
Number of shelves / Number of door racks		3 / 6	4 / 6
Number of FrostSafe drawers		2 with LED lighting	2 with LED lighting
Number of BioFresh drawers		N/A	2 with LED lighting
Number of fruit and vegetable drawers		3 with LED lighting	N/A
Electronic control		MagicEye with digital temp. display, touch electronic	MagicEye with digital temp. display, touch electronic
Refrigerator temperature range °F (°C) ***		+36°F to +45°F (+2°C to +7°C)	+36°F to +45°F (+2°C to +7°C)
Freezer temperature range °F (°C)		+7°F to -17°F (-14°C to -27°C)	+7°F to -17°F (-14°C to -27°C)
Defrost type		automatic	automatic
Interior light		LED light column and LED ceiling lighting	LED light column and LED ceiling lighting
Water filter		yes	yes
Ice Maker		Yes	Yes
Ice cube output lbs. (kg)/24h / Ice cube stock lbs. (kg)		3.1 (1.4) / 7.9 (3.6)	3.1 (1.4) / 7.9 (3.6)
Door hinges		left/right	left/right
Product dimensions (H/W/D) in. (cm)		80 5/16" / 35 7/8" / 24 1/4" (203.9/91/61.5)	80 5/16" / 35 7/8" / 24 1/4" (203.9/91/61.5)
Cut out dimensions (H/W/D) in. (cm)		80 9/16" / 36 1/16" / 24 1/16" (204.5/91.5/61)	80 9/16" / 36 1/16" / 24 1/16" (204.5/91.5/61)
Net weight lbs. (kg)		374.8 (170.0)	377.0 (171.0)
Voltage V/Hz		115/60	115/60
Available Accessories		BLDR	
7440002	Replacement water filter	\$59	Replacement water filter \$59
9900199	Decorative Top Grill for 36" French Door Refrigerator / Freezer for 84" Ht.	\$236	Decorative Top Grill for 36" French Door Refrigerator / Freezer for 84" Ht. \$236

- Estimated energy cost will depend on utility rates and use. Estimated energy cost based on a national average electricity cost of 12 cents per kWh.
- Noise output – according to EN 60704-3.
- BioFresh bins temperatures 32°F (0°C).

Free Standing Semi-Built In Accessories



Category	Models	Accessory	MAP	BLDR
Side By Side Kits	Side by Side kit for 24" and 30" CS models (CS-1210, CS-1360B, CS-1321, CBS-1360, CS-1400R, CS-1400R-IM, CS1401R-IM, CS-1410, CS-1640B, CBS-1660, CBS-1661)	9901555	\$345	\$328
	Side by Side Kit for 36" CS Models (CS 2080, CS 2081)	9900221	\$573	\$544
Top Ventilation Grills	30" Top grill kit for 67" to 72" single unit (CS-1400R, CS-1400R-IM, CS-1401R-IM)	9901523	\$152	\$144
	60" Top grill kit for 67" to 72" side by side (CS-1400R, CS-1400R-IM, CS-1401R-IM)	9901521	\$197	\$187
	48" Top grill kit for 80" to 84" side by side (CS-1321, CBS-1360)	9900368	\$294	\$279
	36" Top grill kit for 80" to 84" single door (CS-2080, CS-2081)	9900277	\$248	\$236
	36" Top grill kit for 80" to 84" french door (CS-2082, CBS-2082)	9900199	\$248	\$236
Handles	Oval Handle for 24" and 30" CS (CS-1210, CS-1360B, CS-1321, CBS-1360, CS-1400R, CS-1400R-IM, CS1401R-IM, CS-1410, CS-1640B, CBS-1660, CBS-1661)	9901557	\$197	\$187
90 Degree Door Stop	90 Degree Door Stop (CS-1321, CBS-1360, CS-1400R, CS-1400R-IM, CS-1640B, CBS-1660, CBS-1661)	9096683	\$30	\$29
Bottle Racks	Bottle Rack (CS-1210, CS-1360B, CS-1321)	7113023	\$25	\$24
	Bottle Rack (CBS-1360)	7112448	\$25	\$24
	Bottle Rack (CS-1400R, CS-1400R-IM, CS-1401R-IM, CS-1410, CS-1640B)	7113257	\$50	\$48
	Bottle Rack (CBS-1660, CBS-1661)	7112325	\$50	\$48
Bin Dividers	Freezer Divider for either Drawer (CS-2080, CS-2081, CS-2082, CBS-2082)	9033016	\$50	\$48
	Solid divider for freezer top drawer (CS-2080, CS-2081, CS-2082, CBS-2082)	9033014	\$50	\$48
After market external water filter	After market external water filter (CS-1360B, CBS-1360, CS-1400R-IM, CS1401R-IM, CBS-1660, CBS-1661)	9096034	\$172	\$163
Replacement Water Filter	Replacement water filter (CS-1360B, CBS-1360, CS-1400R-IM, CS-1401R-IM, CBS-1660, CBS-1661, CS-2080, CS-2081, CS-2082, CBS-2082)	7440002	\$60	\$59
Ice Bucket	Ice Bucket (CS-2080, CS-2081, CS-2082)	9901932	\$50	\$49

Fully Integrated



Ventilation Requirements for **Pantry Models**

Ventilation Requirements

This is a fully integrated refrigerator-freezer which means that it is fully enclosed by a kitchen cabinet. This type of cabinet must be carefully constructed using the correct dimensions, and it must provide suitable ventilation to ensure proper appliance operation.

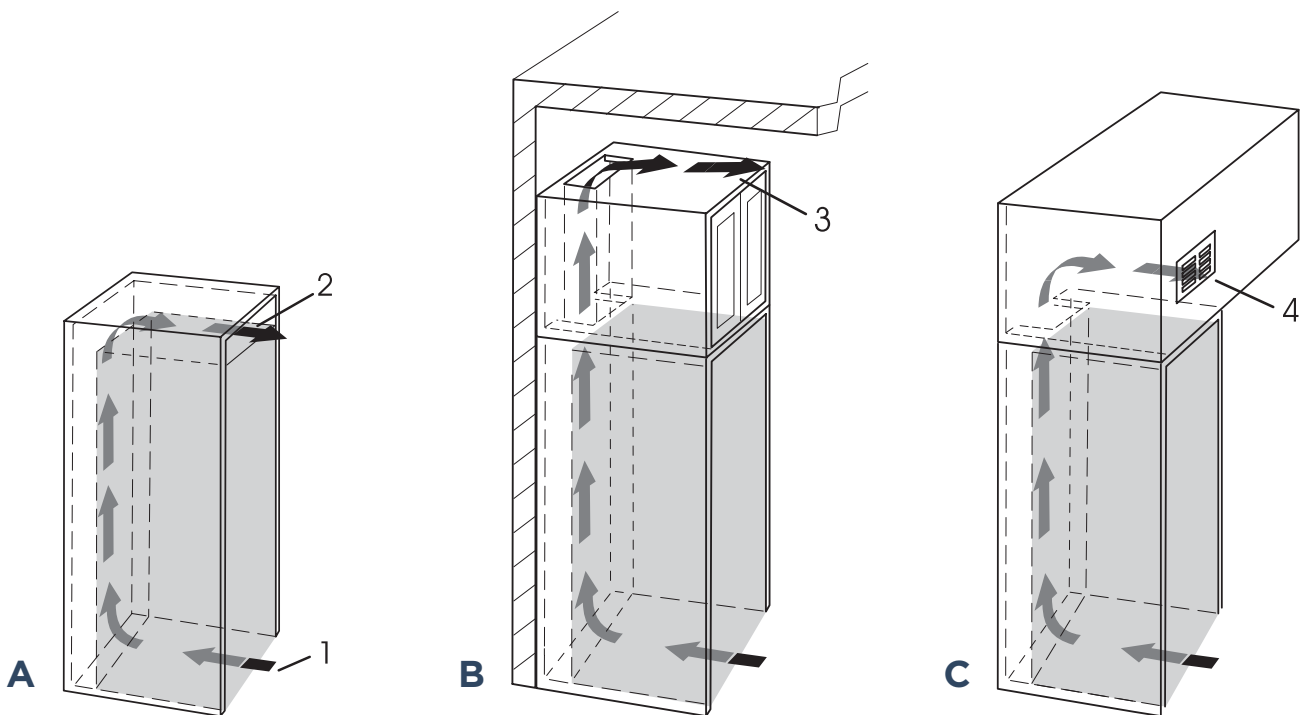
Kitchen Cabinet Airflow Creates Near Silent Operation

The following ventilation dimensions must be observed:

There must be a ventilation space at least 31 in. (200 cm) at the airflow inlet (1) and at the airflow outlet (2).

The top ventilation space can be directed in one of the following ways:

- A. Directly over the appliance (2) with a custom made vent.
- B. Above the cabinet and below the ceiling (3).
- C. Through a vent installed in a soffit (4).



Applies to models:

HC 1030	HRB1120	HW 3000	HWgb 5100
HC1050B	HF861	HWgb 3300	HWgw 5100
HCB1060	HW4800	HWgw 3300	HW 8000
		HWgb 8300	HWgw 8300

Fully Integrated/ Pantry Models



HC-1030 Comfort



HC-1050B Comfort



MSRP	MAP	BLDR	MSRP	MAP	BLDR
\$2,599	\$2,399	\$2,299	\$3,299	\$2,999	\$2,899

Features		BLDR	BLDR
Energy consum. (kWh/y) / Est. Yearly Energy Cost in US \$ *	395/47	475/57	
Sound rating dB(A) **	38	38	
Refrigerator capacity cu.ft. (l)	7.0 (199)	6.9 (196)	
Freezer capacity cu.ft. (l)	2.4 (68)	2.4 (68)	
Number of shelves / Number of door racks	5/3	5/3	
Number of FrostSafe drawers	3	4	
Number of BioCool Drawers	1	1	
Electronic control	MagicEye with LCD temp. display, key electronic	MagicEye with LCD temp. display, touch electronic	
Refrigerator temperature range °F (°C)	+34 °F to +45 °F (+1 °C to +7 °C)	+34 °F to +45 °F (+1 °C to +7 °C)	
Freezer temperature range °F (°C)	+5 °F to -15 °F (-15 °C to -26 °C)	+5 °F to -15 °F (-15 °C to -26 °C)	
Defrost type	automatic	automatic	
Interior light	LED lighting	LED lighting	
Ice Maker	No	Yes	
Ice cube output lbs. (kg)/24h / Ice cube stock lbs. (kg)	1.8 (0.8)/ 2.2 (1.0)	1.8 (0.8)/ 2.2 (1.0)	
SoftSystem / Door hinges	right, reversible	right, reversible	
Product dimensions (H/W/D) in. (cm)	69 11/16" +11/16" / 22 1/16" / 21 7/16" (177 +1.6/55.9/54.4)	69 11/16" +11/16" / 22 1/16" / 21 7/16" (177 +1.6/55.9/54.4)	
Cut out dimensions (H/W/D) in. (cm)	69 13/16" -70 7/16" / 22 1/16" -22 13/16" / 21 11/16" (177.2-178 8/56-57.8/55)	69 13/16" -70 7/16" / 22 1/16" -22 13/16" / 21 11/16" (177.2-178 8/56-57.8/55)	
Net weight lbs. (kg)	145.5 (66.0)	166.2 (75.4)	
Voltage V/Hz	115/60	115/60	
Available Accessories	BLDR		BLDR
9096034	N/A	Add on Water filter kit	\$163
9096214	Door Stop 90°	Door Stop 90°	\$57

- Estimated energy cost will depend on utility rates and use. Estimated energy cost based on a national average electricity cost of 12 cents per kWh.
- Noise output – according to EN 60704-3.
- BioFresh bins temperatures 32°F (0°C).

Fully Integrated/ Pantry Models



HCB-1060 Premium 



MSRP	MAP	BLDR
\$4,099	\$3,799	\$3,599

Features	
Energy consum. (kWh/y) / Est. Yearly Energy Cost in US \$ *	475/57
Sound rating dB(A) **	38
Refrigerator capacity cu.ft. (l)	8.7(179)
Freezer capacity cu.ft. (l)	2.4 (68)
Number of shelves / Number of door racks	4/2
Number of FrostSafe drawers	4 with LED lighting
Number of BioFresh Drawers	2
Electronic control	MagicEye with LCD temp. display, touch electronic
Refrigerator temperature range °F (°C)	+34 °F to +45 °F (+1 °C to +7 °C) +37 °F to +48 °F
Freezer temperature range °F (°C)	+7 °F to -15 °F (-14 °C to -26 °C)
Defrost type	automatic
Interior light	LED lighting
Ice Maker	right, reversible
Ice cube output lbs. (kg)/24h / Ice cube stock lbs. (kg)	1.8 (0.8)/ 2.2 (1.0)
SoftSystem / Door hinges	yes/right, reversible
Product dimensions (H/W/D) in. (cm)	69 11/16"+11/16"/22"/21 7/16" (177+1.6/55.9/54.4)
Cut out dimensions (H/W/D) in. (cm)	69 3/4"-70 3/8"/22"-22 3/4"/22" (177.2-178.8/56-57.8/56)
Net weight lbs. (kg)	87.2(192.2)
Voltage V/Hz	115/60
Available Accessories	BLDR
9096214	Hinge Pin For Door Limitation \$57

- Estimated energy cost will depend on utility rates and use. Estimated energy cost based on a national average electricity cost of 12 cents per kWh.
- Noise output – according to EN 60704-3.
- BioFresh bins temperatures 32°F (0°C).
- *See pages 42-45 for Accessory Pricing
- Cut out height does not include Toe Kick.

Fully Integrated/ Pantry Models



HF-861 Premium



HRB-1120 Premium



MSRP \$3,799
MAP **\$3,499**
BLDR \$3,299

MSRP \$3,709
MAP **\$3,459**
BLDR \$3,259

Features	HF-861 Premium	HRB-1120 Premium
Energy consum. (kWh/y) / Est. Yearly Energy Cost in US \$ *	439/ 53	283 / 34
Sound rating dB(A) **	38	33
Refrigerator capacity cu.ft. (l)	N/A	10.9 (308)
Freezer capacity cu.ft. (l)	7.8 (220)	0.6 (16)
BioFresh comp. cu.ft. (l)	N/A	3.2 (92)
Number of shelves / Number of door racks	N/A	8 / 5
Number of FrostSafe drawers / BioCool drawers	9/0	0/3 with LED lighting
Number of fruit and vegetable drawers	N/A	1
Electronic control	MagicEye with LCD temp. display, touch electronic	MagicEye with LCD temp. display, touch electronic
Refrigerator temperature range °F (°C)	N/A	+37°F to +48°F (+3°C to +9°C)
Freezer temperature range °F (°C)	+7°F to -18°F (-14°C to -28°C)	N/A
Defrost type	automatic	automatic
Interior light	LED lighting	LED light column on both sides
SoftSystem/Door hinges	yes/ left, reversible	yes/ right, reversible
Ice Maker / Ice cube outputs lbs. (kg)/24h/ Ice cube stock lbs. (kg)	Yes / 1.8 (0.8)/ 3.3 (1.5)	N/A
Product dimensions (H/W/D) in. (cm)	69 11/16"+11/16" / 22 1/16" / 21 7/16" (177+1.6/55.9/54.4)	69 11/16" + 11/16" / 22 1/16" / 21 7/16" (177+1.6/55.6/54.4)
Cut out dimensions (H/W/D) in. (cm) ****	69 13/16"-70 7/16" / 22 1/16"-22 13/16" / 21 11/16" (177.2-178.8/56-57.8/55)	69 13/16" -70 7/16" / 22 1/16"-22 13/16" / 21 11/16" (177.2-178.8/56-57.8/55)
Net weight lbs. (kg)	171.1 (77.6)	158.5 (71.9)
Possible Side-by-Side Combination	HF 861 & HRB 1120	HF 861 & HRB 1120 / HF 861 & HW 8000
Voltage V/Hz	115/60	115/60

Available Accessories	HF-861 Premium	HRB-1120 Premium
9902007	Stainless steel panel with handle \$275	Stainless steel panel with handle \$275
9096214	Door Stop 90° \$57	Door Stop 90° \$57
9096034	Aftermarket External water filter \$163	Aftermarket External water filter \$163

- Estimated energy cost will depend on utility rates and use. Estimated energy cost based on a national average electricity cost of 12 cents per kWh.
- Noise output – according to EN 60704-3.
- BioFresh bins temperatures 32°F (0°C).

Fully Integrated/ Pantry Models



HC-1550/1551 Premium 30"



HC-1540/1541 Premium 30"



MSRP	MAP	BLDR	MSRP	MAP	BLDR
\$6,299	\$5,749	\$5,449	\$5,799	\$5,299	\$5,099

Features	HC-1550/1551	HC-1540/1541		
Energy consum. (kWh/y) / Est. Yearly Energy Cost in US \$ *	475/57	507 / 61		
Sound rating dB(A) **	42	42		
Refrigerator capacity cu.ft. (l)	6.9 (196)	9.8 (278)		
BioFresh comp. cu.ft. (l)	N/A	N/A		
Freezer capacity cu.ft. (l)	2.4 (68)	4.3 (122)		
Number of shelves / Number of door racks	5 / 3	4 / 3		
Number of FrostSafe drawers	4 with LED lighting	2		
Number of BioFresh drawers	1 with LED lighting	N/A		
Number of fruit and vegetable drawers	2	2		
Electronic control	MagicEye with digital temp. display, touch electronic	MagicEye with digital temp. display, touch electronic		
Refrigerator temperature range °F (°C) ***	+34°F to +45°F (+1°C to +7°C)	+36°F to +43°F (+2°C to +6°C)		
Freezer temperature range °F (°C)	+5°F to -15°F (-15°C to -26°C)	+7°F to -17°F (-14°C to -27°C)		
Defrost type	automatic	automatic		
Interior light	LED lighting	LED lighting		
Water filter	yes	yes		
Ice Maker	Yes	Yes/Water Tank No Water Connection		
Ice cube output lbs. (kg)/24h / Ice cube stock lbs. (kg)	1.8(0.8)/2.2 (1.0)	3.1 (1.4) / 7.9 (3.6)		
SoftSystem/Door hinges	right (HC-1550) left (HC-1551)	right (HC-1540) left (HC-1541)		
Product dimensions (H/W/D) in. (cm)	79 13/16" / 29 13/16" / 24 1/16" (202.7/75.7/61)	79 13/16" / 29 13/16" / 24 1/16" (202.7/75.7/61)		
Cut out dimensions (H/W/D) in. (cm)	80"-81 5/8" / 30" / 24 1/16" (203.2-207.2/76.2/61)	80"-81 5/8" / 30" / 24 1/16" (203.2-207.2/76.2/61)		
Net weight lbs. (kg)	315.3 (143.0)	315.3 (143.0)		
Voltage V/Hz	115/60	115/60		
Hinge	Left ▶ HC-1550 Right ▶ HC-1551	Left ▶ HC-1541 Right ▶ HC-1540		
Available Accessories	BLDR			
9900283	Stainless steel panels freezers	\$178	Stainless steel panels freezers	\$178
9900287	Stainless steel panels refrigerator 80"	\$400	Stainless steel panels refrigerator 80"	\$400
9900285	Stainless steel panels refrigerator 84"	\$400	Stainless steel panels refrigerator 84"	\$400
9900279	3 Piece 30" SS Round 3/4" Handle	\$226	3 Piece 30" SS Round 3/4" Handle	\$226
9900281	Brushed oval handles for 30"	\$226	N/A	
9900219	Side by Side Kit	\$447	Side by Side Kit	\$447

Fully Integrated/ Pantry Models



HCB-1580/1581 PremiumPlus



MSRP MAP BLDR
\$6,849 **\$6,299** **\$5,999**

Features	
Energy consum. (kWh/y) / Est. Yearly Energy Cost in US \$ *	507 / 61
Sound rating dB(A) **	42
Refrigerator capacity cu.ft. (l)	9.8 (278)
BioFresh comp. cu.ft. (l)	2.1 (60)
Freezer capacity cu.ft. (l)	4.3 (122)
Number of shelves / Number of door racks	4 / 3
Number of FrostSafe drawers	2 with LED lighting
Number of BioFresh drawers	2 with LED lighting
Number of fruit and vegetable drawers	N/A
Electronic control	MagicEye with digital temp. display, touch electronic
Refrigerator temperature range °F (°C) ***	+37°F to +45°F (+3°C to +7°C)
Freezer temperature range °F (°C)	+7°F to -17°F (-14°C to -27°C)
Defrost type	automatic
Interior light	LED light column on both sides
Water filter	yes
Ice Maker	Yes
Ice cube output lbs. (kg)/24h / Ice cube stock lbs. (kg)	3.3 (1.5) / 7.9 (3.6)
Door hinges	right (HCB-1580) left (HCB-1581)
Product dimensions (H/W/D) in. (cm)	79 11/16" / 29 13/16" / 24 1/16" (202.4/75.7/61)
Cut out dimensions (H/W/D) in. (cm)	80"-81 5/8" / 30" / 24 1/16" (203.2-207.2/76.2/61)
Net weight lbs. (kg)	330.7 (150.0)
Voltage V/Hz	115/60

Hinge	Left	HCB-1581	Right	HCB-1580
Available Accessories				
		BLDR		BLDR
9900283	Stainless steel panels freezers	\$178	Stainless steel panels freezers	\$178
9900287	Stainless steel panels refrigerator 80"	\$400	Stainless steel panels refrigerator 80"	\$400
9900219	Side by Side Kit	\$447	Side by Side Kit	\$447
9900279	3 Piece 30" SS Round 3/4" Handle	\$226	3 Piece 30" SS Round 3/4" Handle	\$226
9900281	3 Piece 30" Square Handle	\$226	3 Piece 30" Square Handle	\$226
9900285	Stainless steel panels refrigerator 84"	\$400	Stainless steel panels refrigerator 84"	\$400

Fully Integrated/ Pantry Models



HC-2080/HC-2081 Premium ◀36"▶



HCB-2080/HCB-2081 Premium ◀36"▶



MSRP	MAP	BLDR	MSRP	MAP	BLDR
\$6,399	\$5,849	\$5,799	\$6,949	\$6,399	\$6,299

Features	HC-2080/HC-2081	HCB-2080/HCB-2081
Energy consum. (kWh/y) / Est. Yearly Energy Cost in US \$ *	562 / 67	556 / 67
Sound rating dB(A) **	44	43
Refrigerator capacity cu.ft. (l)	13.5 (382)	12.9 (365)
BioFresh comp. cu.ft. (l)	N/A	2.4 (69)
Freezer capacity cu.ft. (l)	6.0 (170)	6.0 (170)
Number of shelves / Number of door racks	3 / 7	4 / 6
Number of FrostSafe drawers	2 with LED lighting	2 with LED lighting
Number of BioFresh drawers	N/A	2 with LED lighting
Number of fruit and vegetable drawers	3 with LED lighting	N/A
Electronic control	MagicEye with digital temp. display, touch electronic	MagicEye with digital temp. display, touch electronic
Refrigerator temperature range °F (°C) ***	+36°F to +43°F (+2°C to +6°C)	+37°F to +45°F (+3°C to +7°C)
Freezer temperature range °F (°C)	+7°F to -17°F (-14°C to -27°C)	+7°F to -17°F (-14°C to -27°C)
Defrost type	automatic	automatic
Interior light	LED light column and LED ceiling lighting	LED light column and LED ceiling lighting
Water filter	yes	yes
Ice Maker	Yes	Yes
Ice cube output lbs. (kg)/24h / Ice cube stock lbs. (kg)	3.1 (1.4) / 7.9 (3.6)	3.1 (1.4) / 7.9 (3.6)
SoftSystem / Door hinges	right (HCB-2080) Left (HC-2081)	right (HCB-2080) Left (HCB-2081)
Product dimensions (H/W/D) in. (cm)	79 13/16" / 35 7/8" / 24 1/16" (202.7/91/61)	79 13/16" / 35 7/8" / 24 1/16" (202.7/91/61)
Cut out dimensions (H/W/D) in. (cm)	80"-81 5/8" / 36 1/16" / 24 5/8" (203.2-207.2/91.5/62.5)	80"-81 5/8" / 36 1/16" / 24 5/8" (203.2-207.2/91.5/62.5)
Voltage V/Hz	115/60	115/60

Hinge	Left ▶ HC-2081	Right ▶ HC-2080	Left ▶ HCB-2081	Right ▶ HCB-2080
Available Accessories	BLDR		BLDR	
9900183	Side-by-side Kit	\$447	Side-by-side Kit	\$447
9900327	SS Round Handle	\$231	SS Round Handle	\$231
9900333	80" Single Door Ref Panel SS	\$453	80" Single Door Ref Panel SS	\$453
9900323	36" Freezer Panels 2 Pieces	\$240	36" Freezer Panels 2 Pieces	\$240
9900331	84" Single Door Ref Panel SS	\$453	84" Single Door Ref Panel SS	\$453
9900329	3/4" Oval Handle (3 Pieces)	\$239	N/A	
7440002	Replacement Water Filter	\$59	Replacement Water Filter	\$59

Fully Integrated/ Pantry Models



HC-2082 PremiumPlus

◀36"▶



HCB-2082 PremiumPlus

◀36"▶



MSRP	MAP	BLDR	MSRP	MAP	BLDR
\$6,999	\$6,449	\$6,199	\$7,549	\$6,899	\$6,699

Features		
Energy consum. (kWh/yr) / Est. Yearly Energy Cost in US \$ *	562/67	556/67
Sound rating dB(A) **	44	43
Refrigerator capacity cu.ft. (l)	13.5 (382)	12.9 (365)
BioFresh comp. cu.ft. (l)	N/A	2.4 (69)
Freezer capacity cu.ft. (l)	6.0 (170)	6.0 (170)
Number of shelves / Number of door racks	3/8	4 / 6
Number of FrostSafe drawers	2 with LED lighting	2 with LED lighting
Number of BioFresh drawers	N/A	2 with LED lighting
Number of fruit and vegetable drawers	3 with LED lighting	N/A
Electronic control	MagicEye with LCD temp. display, touch electronic	MagicEye with digital temp. display, touch electronic
Refrigerator temperature range °F (°C) ***	+36°F to +43°F (+2°C to +6°C)	+37°F to +45°F (+3°C to +7°C)
Freezer temperature range °F (°C)	+7°F to -17°F (-14°C to -27°C)	+7°F to -17°F (-14°C to -27°C)
Defrost type	automatic	automatic
Interior light	LED light column and LED ceiling lighting	LED light column and LED ceiling lighting
Water filter	yes	yes
IceMaker	Yes	Yes
Ice cube output lbs. (kg)/24h / Ice cube stock lbs. (kg)	3.1 (1.4) / 7.9 (3.6)	3.1 (1.4) / 7.9 (3.6)
SoftSystem / Door hinges	yes / left/right	yes / left/right
Product dimensions (H/W/D) in. (cm)	79 13/16" / 36" / 24 1/16" (202.7/91.4/61)	79 13/16" / 35 7/8" / 24 1/16" (202.7/91.5/61)
Cut out dimensions (H/W/D) in. (cm)	80"-81 5/8" / 36" / 24 5/8" (203.2-207.2/91.44/62.5)	80"-81 5/8" / 36 1/16" / 24 5/8" (203.2-207.2/91.5/62.5)
Net weight lbs. (kg)	368.2 (167.0)	357.1 (162.0)
Voltage V/Hz	115/60	115/60

Available Accessories	BLDR		BLDR
9900323	2 Piece SS Freezer Panels	\$240	2 Piece SS Freezer Panels \$240
9900337	80" French Door SS Panels	\$472	80" French Door SS Panels \$472
9900335	36" Refrigerator panel french door 84" tall SS	\$472	36" Refrigerator panel french door 84" tall SS \$472
7440002	Replacement water filter	\$59	Replacement water filter \$59

- Estimated energy cost will depend on utility rates and use. Estimated energy cost based on a national average electricity cost of 12 cents per kWh.
- Noise output – according to EN 60704-3.
- BioFresh bins temperatures 32°F (0°C).

Category	Models	Accessory	MAP	BLDR
Side by Side Kits	Side by side kit for 30" HC models (HC-1550, HC-1540, HC-1541, HCB-1580, HCB-1581)	9900219	\$471	\$447
	Side by Side kit for 36" HC models (HC-2080, HC-2081, HCB-2080, HCB-2081)	9900183	\$471	\$447
Stainless Steel Panels	30" Freezer Panels SS x 2 (HC-1550, HC-1540, HC-1541, HCB-1580, HCB-1581)	9900283	\$187	\$178
	36" Freezer Panels SS x 2 (HC-2080, HC-2081, HCB-2080, HCB-2081, HC-2082, HCB-2082)	9900323	\$253	\$240
	30" Refrigerator panel sgl door 80" tall SS (HC-1550, HC-1540, HC-1541, HCB-1580, HCB-1581)	9900287	\$421	\$400
	36" Refrigerator panel sgl door 80" tall SS (HC-2080, HC-2081, HCB-2080, HCB-2081)	9900333	\$477	\$453
	36" Refrigerator panel french door 80" tall SS (HC-2082, HCB-2082)	9900337	\$497	\$472
	30" Refrigerator panel sgl door 84" tall SS (HC-1550, HC-1540, HC-1541, HCB-1580, HCB-1581)	9900285	\$421	\$400
	36" Refrigerator panel sgl door 84" tall SS (HC-2080, HC-2081, HCB-2080, HCB-2081)	9900331	\$477	\$453
	36" Refrigerator panel french door 84" tall SS (HC-2082, HCB-2082)	9900335	\$497	\$472
Handles	Stainless Steel panel with handle (HRB-1120, HF-861)	9902007	\$289	\$275
	Stainless Steel Round Handles for 30" HC (HC-1550, HC-1540, HC-1541, HCB-1580, HCB-1581)	9900279	\$238	\$226
	Stainless Steel Round Handles for 36" HC (HC-2080, HC-2081, HCB-2080, HCB-2081)	9900327	\$243	\$231
	Stainless Steel Round Handles for 36" french door HC (HC-2082, HCB-2082)	9900339	\$324	\$308
	Brushed oval handles for 30" HC (HC-1550, HC-1540, HC-1541, HCB-1580, HCB-1581)	9900281	\$238	\$226
	Brushed oval handles for 36" HC (HC-2080, HC-2081, HCB-2080, HCB-2081)	9900329	\$243	\$231
	Brushed oval handles for 36" french door HC (HC-2082, HCB-2082)	9900513	\$324	\$308
	Hinge Pin For Door Limitation (HC-1030, HC-1050B, HC-1070, HC-1080, HCB-1060, HRB-1120, HF-861)	9096214	\$60	\$57
Door Stop	Hinge Pin For Door Limitation (HC-1550, HC-1540, HC-1541, HCB-1580, HCB-1581, HC-2080, HC-2081, HCB-2080, HCB-2081)	9096699	\$60	\$57
	Freezer Divider for either drawer (HCB-1580, HCB-1581)	9033012	\$50	\$48
Bin Dividers	Freezer Divider for either drawer (HC-2080, HC-2081, HCB-2080, HCB-2081, HC-2082, HCB-2082)	9033016	\$50	\$48
	Solid Divider for top drawer only (HCB-1580, HCB-1581)	9033014	\$50	\$48
	Solid Divider for top drawer only (HC-2080, HC-2081, HCB-2080, HCB-2081, HC-2082, HCB-2082)	9033018	\$50	\$48
	Aftermarket External Water Filter (HC-1050B, HC-1080, HCB-1060, HF-861)	9096034	\$173	\$163
Aftermarket External Water Filter				
Replacement Water Filter	Replacement Water Filter (HC-1050B, HC-1080, HCB-1060, HF-861, HC-1550, HCB-1580, HCB-1581, HC-2080, HC-2081, HCB-2080, HCB-2081, HC-2082, HCB-2082)	7440002	\$60	\$57

Undercounter



Undercounter



RO-510



RU-510 GrandCru



MSRP	MAP	BLDR
\$2,299	\$2,099	\$1,999

MSRP	MAP	BLDR
\$1,899	\$1,799	\$1,699

Features		
Sound rating dB(A) **	39	39
Total capacity cu.ft. (l)	3.7 (104)	3.8 (108)
Number of shelves	4	4
Shelves on telescopic rails	3	3
Shelf material	glass	glass
Electronic control	MagicEye with digital temp. display, touch electronic	MagicEye with digital temp. display, touch electronic
Temperature range °F (°C)	+36°F to +68°F (+2°C to +20°C)	+36°F to +68°F (+2°C to +20°C)
Temperature zones	1	1
Interior light	LED interior lighting	LED lighting permanently on
Door alarm	acoustic	acoustic
Safety thermostat	yes	yes
Activated Charcoal filter	yes	yes
Door type / Integrated lock	full door / yes	glass door with stainless steel frame / yes
Door hinges	right, reversible	right, reversible
Product dimensions (H/W/D) in. (cm)	32 1/4" / 23 9/16" / 22 3/4" (81.8/59.7/57.7)	32 1/4" / 23 9/16" / 22 3/4" (81.8/59.7/57.7)
Cut out dimensions (H/W/D) in. (cm)	32 5/16"-34 5/16" / 23 5/8" / 21 11/16" (82-87/60/55)	32 5/16"-34 5/16" / 23 5/8" / 21 11/16" (82-87/60/55)
Net weight lbs. (kg)	112.4 (51.0)	103.6 (47.0)
Voltage V/Hz	115/60	115/60

Available Accessories	BLDR		BLDR
9902272	N/A		Side-by-Side kit \$101
9902240	Top filler angle bracket \$24		Top filler angle bracket \$24
9901071	Stainless steel round handle \$77		Stainless steel round handle \$77

- Estimated energy cost will depend on utility rates and use. Estimated energy cost based on a national average electricity cost of 12 cents per kWh.
- Noise output – according to EN 60704-3.
- BioFresh bins temperatures 32°F (0°C).

Undercounter



UPR-513 Premium

◀24"▶



Soft System

Soft Telescopic

ADA Compliant



MSRP	MAP	BLDR
\$2,499	\$2,299	\$2,199

Features	
Energy consum. (kWh/y) / Est. Yearly Energy Cost in US \$ *	260/32
Sound rating dB(A) **	37
Total capacity cu.ft. (l)	4.4 (124)
Number of shelves	2
Number of fruit and vegetable drawers	1
Electronic control	MagicEye with LCD temp. display, touch electronic
Temperature range °F (°C) ***	+34°F to +48°F (+1°C to +9°C)
Defrost type	automatic
Interior light	LED lighting
Door alarm	N/A
Door type	panel ready or stainless steel panel as accessory
SoftSystem	yes
Door hinges	pullout
Product dimensions (H/W/D) in. (cm)	32 5/16" +2 / 23 9/16" / 21 11/16" (81.95+5/59.7/55)
Cut out dimensions (H/W/D) in. (cm)	32 5/16"-34 11/16" / 23 5/8" / 21 11/16" (82-88/60/55)
Net weight lbs. (kg)	105.4 (47.8)
Voltage V/Hz	115/60
Available Accessories	
9901527	Stainless steel round handle 14" BLDR \$48
9901561	Brushed aluminum square handle \$77
9902833	SS panel with pre-drilled holes horizontal handle \$187
9900436	Adjustable toe kick \$91

- Estimated energy cost will depend on utility rates and use. Estimated energy cost based on a national average electricity cost of 12 cents per kWh.
- Noise output – according to EN 60704-3.
- BioFresh bins temperatures 32°F (0°C).

Undercounter



UR-500 Premium

24"



MSRP	MAP	BLDR
\$2,499	\$2,299	\$2,199

Features	
Energy consum. (kWh/y) / Est. Yearly Energy Cost in US \$ *	270 / 33
Sound rating dB(A) **	37
Refrigerator capacity cu.ft. (l)	4.8 (136)
BioFresh comp. cu.ft. (l)	N/A
Number of shelves / Number of door racks	3 / 2
Number of BioFresh drawers	N/A
Number of fruit and vegetable drawers	1
Electronic control	MagicEye with LCD temp. display, touch electronic
Refrigerator temperature range °F (°C) ***	+36°F to +48°F (+2°C to +9°C)
Defrost type	automatic
Interior light	LED lighting
Door alarm	visual and acoustic
Gallon storage	yes
Door type	panel ready or stainless steel panel as accessory
SoftSystem	yes
Door hinges	right, reversible
Product dimensions (H/W/D) in. (cm)	32 5/16"-34 11/16" / 23 9/16" / 21 11/16" (82-88/59.7/55)
Cut out dimensions (H/W/D) in. (cm)	32 5/16"-34 11/16" / 23 5/8" / 21 11/16" (82-88/60/55)
Net weight lbs. (kg)	80.0 (36.3)
Voltage V/Hz	115/60

Available Accessories		BLDR
9901527	Stainless steel round handle 14"	\$48
9902830	SS Panel with pre-drilled holes vertical handles	\$187

- Estimated energy cost will depend on utility rates and use. Estimated energy cost based on a national average electricity cost of 12 cents per kWh.
- Noise output – according to EN 60704-3.
- BioFresh bins temperatures 32°F (0°C).

Undercounter



UB-501 Premium



MSRP	MAP	BLDR
\$2,499	\$2,299	\$2,199

Features	
Energy consum. (kWh/y) / Est. Yearly Energy Cost in US \$ *	252 / 31
Sound rating dB(A) **	38
Refrigerator capacity cu.ft. (l)	2.8 (80)
BioFresh comp. cu.ft. (l)	2.8 (80)
Number of shelves / Number of door racks	2 / -
Number of BioFresh drawers	3 with LED lighting
Number of fruit and vegetable drawers	N/A
Electronic control	MagicEye with LCD temp. display, touch electronic
Refrigerator temperature range °F (°C) ***	+32°F (0°C)
Defrost type	automatic
Interior light	N/A
Door alarm	visual and acoustic
Gallon storage	yes
Door type	panel ready or stainless steel panel as accessory
SoftSystem	yes
Door hinges	left, reversible
Product dimensions (H/W/D) in. (cm)	32 5/16"-34 11/16" / 23 9/16" / 21 11/16" (82-88/59.7/55)
Cut out dimensions (H/W/D) in. (cm)	32 5/16"-34 11/16" / 23 5/8" / 21 11/16" (82-88/60/55)
Net weight lbs. (kg)	83.6 (37.9)
Voltage V/Hz	115/60

Available Accessories		BLDR
9901527	Stainless steel round handle 14"	\$48
9902830	SS panel w/ pre drilled holes vertical handle	\$187

- Estimated energy cost will depend on utility rates and use. Estimated energy cost based on a national average electricity cost of 12 cents per kWh.
- Noise output – according to EN 60704-3.
- BioFresh bins temperatures 32°F (0°C).

Undercounter



UF-501 Premium

24"



LED

Soft System

ADA Compliant



MSRP	MAP	BLDR
\$2,499	\$2,299	\$2,199

Features	
Energy consum. (kWh/y) / Est. Yearly Energy Cost in US \$ *	347 / 42
Sound rating dB(A) **	38
Freezer capacity cu.ft. (l)	2.8 (79)
Number of FrostSafe drawers	3
Electronic control	MagicEye with LCD temp. display, touch electronic
Freezer temperature range °F (°C)	+7°F to -18°F (-14°C to -28°C)
Defrost type	automatic
Interior light	LED lighting
Door alarm	visual and acoustic
Door type	panel ready or stainless steel panel as accessory
SoftSystem	yes
Door hinges	left, reversible
Product dimensions (H/W/D) in. (cm)	32 5/16"-34 11/16" / 23 9/16" / 21 11/16" (82-88/59.7/55)
Cut out dimensions (H/W/D) in. (cm)	32 5/16"-34 11/16" / 23 5/8" / 21 11/16" (82-88/60/55)
Net weight lbs. (kg)	88.0 (39.9)
Voltage V/Hz	115/60

Available Accessories		BLDR
9901527	Stainless steel round handle 14"	\$48
9902830	SS panel w/ pre drilled holes vertical handle	\$187

- Estimated energy cost will depend on utility rates and use. Estimated energy cost based on a national average electricity cost of 12 cents per kWh.
- Noise output – according to EN 60704-3.
- BioFresh bins temperatures 32°F (0°C).

Wine Cabinets



Wine Cabinets



WU-3400 Vinidor



WUgb-3400 Vinidor



MSRP	MAP	BLDR	MSRP	MAP	BLDR
\$3,049	\$2,799	\$2,699	\$3,349	\$3,099	\$2,899

Features			
Sound rating dB(A)*	39	38	
Total capacity cu.ft. (l)	3.3 (94)	3.3 (94)	
Max. No. of Bordeaux bottles (0.75 l)	34	34	
Number of shelves / Shelves on telescopic rails	5 / 3	5 / 3	
Shelf material	beech wood shelves	beech wood shelves	
Electronic control	MagicEye with digital temp. display for both wine zones,	LCD temp. display for both wine zones, touch electronic	
Temperature range °F (°C)	+41°F to +68°F (+5°C to +20°C)	+41°F to +68°F (+5°C to +20°C)	
Temperature zones	2	2	
Temperature alarm	acoustic	acoustic	
Interior light	LED lighting permanently on, dimmable	LED lighting permanently on, dimmable	
Door alarm	acoustic	acoustic	
Safety thermostat	yes	yes	
Activated Charcoal filter	yes	yes	
Door type	glass door with stainless steel frame	black insulated glass door, handle and frame free	
Integrated lock	yes	N/A	
SoftSystem	N/A	yes	
Door hinges	right, reversible	right, reversible	
Product dimensions (H/W/D) in. (cm)	32 1/4" / 23 9/16" / 22 11/16" (81.8/59.7/57.5)	32 1/4" / 23 9/16" / 22 11/16" (81.8/59.7/57.5)	
Cut out dimensions (H/W/D) in. (cm)	32 5/16"-34 5/16" / 23 5/8" / 22 7/8" (82-87/60/58)	32 5/16"-34 5/16" / 23 5/8" / 22 7/8" (82-87/60/58)	
Net weight lbs. (kg)	108.0 (49.0)	99.2 (45.0)	
Voltage V/Hz	115/60	115/60	
Available Accessories	BLDR		BLDR
7434557	Replacement Charcoal Filter	\$67	Replacement Charcoal Filter \$67
9902272	Side by Side Kit	\$101	Side by Side Kit \$101
551003363-B	Under Counter Toe Kick Black	N/C	Under Counter Toe Kick Black N/C

- Estimated energy cost will depend on utility rates and use. Estimated energy cost based on a national average electricity cost of 12 cents per kWh.
- Noise output – according to EN 60704-3.
- BioFresh bins temperatures 32°F (0°C).

Wine Cabinets



WU-4500 GrandCru

◀24"▶



MSRP	MAP	BLDR
\$2,299	\$2,149	\$2,049

Features	
Sound rating dB(A)*	39
Total capacity cu.ft. (l)	3.9 (110)
Max. No. of Bordeaux bottles (0.75 l)	46
Number of shelves / Shelves on telescopic rails	4 / 3
Shelf material	beech wood shelves
Electronic control	MagicEye with digital temp. display, touch electronic
Temperature range °F (°C)	+41°F to +68°F (+5°C to +20°C)
Temperature zones	1
Temperature alarm	acoustic
Interior light	LED interior lighting
Door alarm	acoustic
Safety thermostat	yes
Activated Charcoal filter	yes
Door type	full door
Integrated lock	yes
Door hinges	right, reversible
Product dimensions (H/W/D) in. (cm)	32 1/4" / 23 9/16" / 22 3/4" (81.8/59.7/57.7)
Cut out dimensions (H/W/D) in. (cm)	32 5/16"-34 5/16" / 23 5/8" / 22 7/8" (82-87/60/58)
Net weight lbs. (kg)	99.2 (45.0)
Voltage V/Hz	115/60

Hinge	Left ▶ N/A	Right ▶ WU-4500
-------	------------	-----------------

Available Accessories		BLDR
9902272	Side-by-Side Kit	\$101
9901071	SS Round Handle	\$77
7434557	Replacement Charcoal filter	\$67

- Estimated energy cost will depend on utility rates and use. Estimated energy cost based on a national average electricity cost of 12 cents per kWh.
- Noise output – according to EN 60704-3.
- BioFresh bins temperatures 32°F (0°C).

Built-In Wine Cabinets



HW-8000 Vinidor



HWgb-8300 Vinidor



MSRP	MAP	BLDR	MSRP	MAP	BLDR
\$4,099	\$3,699	\$3,499	\$4,599	\$4,199	\$3,999

Features		BLDR	BLDR
Sound rating dB(A) *	36	36	
Total capacity cu.ft. (l)	9.0 (254)	9.5 (271)	
Max. No. of Bordeaux bottles (0.75 l)	80	83	
Number of shelves / Shelves on telescopic rails	10 / 8	10 / 8	
Shelf material	beech wood shelves	beech wood shelves	
Presentation shelf	1	1	
Electronic control	LCD temp. display for both wine zones, touch electronic	LCD temp. display for both wine zones, touch electronic	
Temperature range °F (°C)	+41°F to +68°F (+5°C to +20°C)	+41°F to +68°F (+5°C to +20°C)	
Temperature zones	2	2	
Temperature alarm	acoustic	acoustic	
Interior light	LED lighting permanently on, dimmable	LED lighting permanently on, dimmable	
Door alarm	acoustic	acoustic	
Safety thermostat	yes	yes	
Activated Charcoal filter	yes	yes	
Door type	panel ready or stainless steel panel as accessory	black insulated glass door, handle and frame free	
SoftSystem	yes	yes	
Door hinges	right, reversible	right, reversible	
Product dimensions (H/W/D) in. (cm)	69 11/16" / 21 15/16" / 21 13/16" (177/55.7/55.3)	69 11/16" / 21 15/16" / 22 9/16" (177/55.7/57.2)	
Cut out dimensions (H/W/D) in. (cm) **	70 1/8" / 22 1/16" / 21 11/16" (178/56/55)	70 1/8" / 22 1/16" / 21 11/16" (178/56/55)	
Net weight lbs. (kg)	200.6 (91.0)	207.2 (94.0)	
Voltage V/Hz	115/60	115/60	
Available Accessories	BLDR		BLDR
9901561	Brushed aluminum square handle	\$77	
9901573	Stainless steel panel, profile frame and handle	\$275	
9901080	Brushed aluminum profile frame 3/4"	\$77	

- Estimated energy cost will depend on utility rates and use. Estimated energy cost based on a national average electricity cost of 12 cents per kWh.
- Noise output – according to EN 60704-3.
- BioFresh bins temperatures 32°F (0°C).

Built-In Wine Cabinets



HW-4800 Vinidor



HWgb-5100 Vinidor



MSRP	MAP	BLDR	MSRP	MAP	BLDR
\$3,309	\$3,059	\$2,909	\$3,949	\$3,599	\$3,399

Features		
Sound rating dB(A)*	36	36
Total capacity cu.ft. (l)	5.6 (158)	6.0 (169)
Max. No. of Bordeaux bottles (0.75 l)	48	51
Number of shelves / Shelves on telescopic rails	6 / 4	6 / 4
Shelf material	beech wood shelves	beech wood shelves
Presentation shelf	1	1
Electronic control	LCD temp. display for both wine zones, touch electronic	LCD temp. display for both wine zones, touch electronic
Temperature range °F (°C)	+41°F to +68°F (+5°C to +20°C)	+41°F to +68°F (+5°C to +20°C)
Temperature zones	2	2
Temperature alarm	acoustic	acoustic
Interior light	LED lighting permanently on, dimmable	LED lighting permanently on, dimmable
Door alarm	acoustic	acoustic
Safety thermostat	yes	yes
Activated Charcoal filter	yes	yes
Door type	panel ready or stainless steel panel as accessory	black insulated glass door, handle and frame free
SoftSystem	yes	yes
Door hinges	right, reversible	right, reversible
Product dimensions (H/W/D) in. (cm)	48" / 21 15/16" / 21 13/16" (121.8/55.7/55.3)	48" / 21 15/16" / 22 9/16" (121.8/55.7/57.2)
Cut out dimensions (H/W/D) in. (cm)**	48 1/16" / 22 1/16" / 21 11/16" (122/56/55)	48 1/16" / 22 1/16" / 21 11/16" (122/56/55)
Net weight lbs. (kg)	147.7 (67.0)	152.1 (69.0)
Voltage V/Hz	115/60	115/60

Available Accessories	BLDR	BLDR
9901561	Brushed aluminum square handle	\$77 N/A
9901575	Stainless steel panel, profile frame and handle	\$250 N/A
9901079	Brushed aluminum profile frame 3/4"	\$67 N/A

- Estimated energy cost will depend on utility rates and use. Estimated energy cost based on a national average electricity cost of 12 cents per kWh.
- Noise output – according to EN 60704-3.
- BioFresh bins temperatures 32°F (0°C).



Built-In Wine Cabinets



HWS-1800 GrandCru



HWgb-1803 GrandCru



MSRP	MAP	BLDR	MSRP	MAP	BLDR
\$2,099	\$1,999	\$1,899	\$2,549	\$2,349	\$2,249

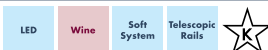
Features	
Sound rating dB(A) *	36
Total capacity cu.ft. (l)	1.7 (47)
Max. No. of Bordeaux bottles (0.75 l)	18
Number of shelves / Shelves on telescopic rails	3 / 2
Shelf material	beech wood shelves
Electronic control	LCD temp. display, touch electronic
Temperature range °F (°C)	+41°F to +68°F (+5°C to +20°C)
Temperature zones	1
Temperature alarm	acoustic
Interior light	LED lighting permanently on, dimmable
Door alarm	acoustic
Safety thermostat	N/A
Activated Charcoal filter	yes
Door type	glass door with stainless steel frame
SoftSystem	N/A
Door hinges	right, reversible
Product dimensions (H/W/D) in. (cm)	17 3/8" / 21 15/16" / 20 9/16" (44.1/55.7/52.2)
Cut out dimensions (H/W/D) in. (cm)	17 3/4" / 22 1/16" / 21 11/16" (45/56/55)
Net weight lbs. (kg)	66.1 (30.0)
Voltage V/Hz	115/60
Available Accessories	BLDR
9900073	Trim kit 30" \$173 N/A
9901085	Accessory drawer black glass \$328
9901086 (While supplies last)	Accessory drawer white glass \$299

- Estimated energy cost will depend on utility rates and use. Estimated energy cost based on a national average electricity cost of 12 cents per kWh.
- Noise output – according to EN 60704-3.
- BioFresh bins temperatures 32°F (0°C).

Freestanding



WS-17800 Vinidor



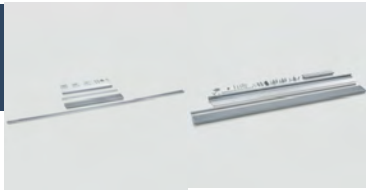
MSRP	MAP	BLDR
\$6,099	\$5,499	\$5,199

Features	
Sound rating dB(A) *	39
Total capacity cu.ft. (l)	17.7 (505)
Max. No. of Bordeaux bottles (0.75 l)	178
Number of shelves / Shelves on telescopic rails	13 / 10
Shelf material	beech wood shelves
Presentation shelf	1
Electronic control	MagicEye with digital temp. display, touch electronic
Temperature range °F (°C)	+41°F to +68°F (+5°C to +20°C)
Temperature zones	3
Temperature alarm	acoustic
Interior light	LED interior lighting
Door alarm	acoustic
Safety thermostat	yes
Activated Charcoal filter	yes
Door type	glass door with stainless steel frame
Integrated lock	yes
SoftSystem	yes
Door hinges	right, reversible
Product dimensions (H/W/D) in. (cm)	75 5/8" / 27 9/16" / 29 1/4" (192/70/74.2)
Cut out dimensions (H/W/D) in. (cm)	77 9/16" / 28" / 27 1/16" (197/71.1/68.6)
Net weight lbs. (kg)	308.6 (140.0)
Voltage V/Hz	115/60

Available Accessories		BLDR
7433243	Replacement charcoal filter, WS 1780	\$67
9033373	Accessory Drawer	\$154

- Estimated energy cost will depend on utility rates and use. Estimated energy cost based on a national average electricity cost of 12 cents per kWh.
- Noise output – according to EN 60704-3.
- BioFresh bins temperatures 32°F (0°C).

Wine Cabinets Design & Lifestyle Accessories



Category	Models	Accessory	MAP	BLDR
Panels	Brushed aluminum profile frame 3/4" (HW-8000)	9901080	\$81	\$77
	Brushed aluminum profile frame 3/4" (HW-4800)	9901079	\$71	\$67
	Brushed aluminum profile frame 3/4" (HW-3000)	9901075	\$60	\$59
	Brushed aluminum profile frame 7/8" (HW-8000)	9901083	\$81	\$77
	Brushed aluminum profile frame 7/8" (HW-4800)	9901082	\$71	\$67
	Brushed aluminum profile frame 7/8" (HW-3000)	9901081	\$60	\$59
	Stainless Steel panel, profile frame and handle (HW-8000)	9901573	\$289	\$275
	Stainless Steel panel, profile frame and handle (HW-4800)	9901575	\$263	\$250
	Stainless Steel panel, profile frame and handle (HW-3000)	9901577	\$228	\$224
Handles	Brushed aluminum square handle (HW-8000, HW-4800, HW-3000)	9901561	\$81	\$77
	Stainless steel round handle (WU-3400, WU-4500)	9901071	\$81	\$77
Accessory Drawers	Accessory drawer bottle storage (WS-17800)	9033373	\$162	\$154
	Accessory drawer stainless steel (HWS-1800)	9901084	\$345	\$328
	Accessory drawer black glass (HWgb-1803)	9901085	\$345	\$328
	Accessory drawer white glass (HWgbW-1803 (DISC MODEL, while supplies last)	9901086	\$319	\$299
Side by Side Kit	Side by Side Kit (WU-3400, Wugb-3400, WU-4500)	9902272	\$106	\$101
Top Filler Angle Bracket	Top filler angle bracket (WU-3400, Wugb-3400, WU-4500)	9902240	\$25	\$24
	Top filler - black glass (Wugb-3400)	9902599	\$81	\$77
Trim Kit	30" Trim Kit (HWS-1800)	9900073	\$182	\$173
Custom Panel Overlay Kit	Custom Panel Overlay Kit (WU-3400, WU-4500)	9590131	\$81	\$77
Ventilation Grill	Ventilation Grill (Pantry Models) (HW-8000, HWgb-8300, HWgw-8300, HW-4800, HWgb-5100, HWgw-5100, HW-3000, HWgb-3300, HWgw-3300)	7427640	\$30	\$29
Plastic Clips	Plastic Clip Labels 2 Pieces (WU-3400, WUgb3400, WU-4500)	9094397	\$9	\$9
Charcoal Filter	charcoal filter replacement (WU-3400, Wugb-3400, WU-4500, HW-8000, HWgb-8300, HWgw-8300, HW-4800, HWgb-5100, HWgw-5100, HW-3000, HWgb-3300, HWgw-3300, HWgb-1803, HWgw-1803)	7434557	\$71	\$67
	charcoal filter replacement (HWS-1800, WS-17800)	7433243	\$71	\$67
	charcoal filter replacement (WS-1200, XS-200)	7440699	\$60	\$57

Undercounter Accessories



Category	Models	Accessory	MAP	BLDR
Handles	Stainless Steel round handle (RO-510, RU-510)	9901071	\$81	\$77
	Stainless Steel Round handle 14" (UPR-513, UR-500, UB-501, UF-501)	9901527	\$50	\$48
Adjustable Toe Kick	Adjustable Toe Kick (UPR-513, UR-500, UB-501, UF-501)	9900436	\$96	\$91
Side by Side Kit	Side by Side Kit (RU-510)	9902272	\$106	\$101
Top Filler Angle Bracket	Top Filler Angle Bracket (RU-510)	9902240	\$25	\$24
Custom Panel Overlay Kit	Custom Panel Overlay Kit (Ru-510)	9590131	\$81	\$77



Mid-Atlantic Division	800-950-9900	215-554-6566	MID-ATL@almo.com
Northeast Division	800-836-2522	215-554-6697	NE@almo.com
Southeast Division	800-645-3505	215-554-6671	SE@almo.com
South Central	844-277-2566	215-554-6514	SoCentral@almo.com



Almo Web Support

- premium.almo.com – Overview of Almo Premium Appliances
- www.access.almo.com - Almo's business-to-business website
 - *Spec sheets, inventory, pricing, training, spiff claims*



Service/Parts Request

☉ Contact Liebherr to schedule service or request replacement parts

- **Phone** 📞 : 866-543-2437
- **Customer Care Email** ✉ : service-appliances.us@liebherr.com
 - For cosmetic or damaged / missing parts, please contact Almo Customer Care

☉ If you need to escalate an issue, please contact Almo Customer Care

- **Email** ✉ : PremiumApplianceCCC@almo.com
- Call your regional number, option 2



Good Stock/Cosmetic Damage Returns

☉ Dealer requesting return on a unit

- Contact Almo CCC with detail of why the request is being made, model/serial #, and DOP
- **Remorse/order cancelled**
 - If the unit is factory sealed and a current model, an RA will be approved
 - Dealer is responsible for return freight
 - No restocking fee (20%) if within the first 10 days receipt
 - If the unit is opened but unused, an RA will be approved if within the first 10 days
 - Dealer is responsible for return freight
 - Minimum 40% restock fee
- **Concealed damaged returns**
 - Refuse any product you feel may be damaged (excludes full container orders)
 - Contact Almo CCC with detail of model/serial #, DOP, and how the unit was signed for
 - Photos of all sides of the carton and damage must be submitted for any return request on a damage product

- There are no returns on **special order products**
- There are no returns on **installed products**
- Product returned not in the condition claimed is subject to a **minimum 35% restocking fee**



LIEBHERR
Quality, Design and Innovation

PRLPG012021