



Design
**SHOWERS
FOR LIFE**

by

ARC
AKW Resource Center



WELCOME TO DESIGN SHOWERS FOR LIFE

With our years of experience, we know that the right bathroom can not only transform a home, but the people living within it too.

An invigorating shower has the power to refresh and renew, unwind and recharge. A bathroom can be a sanctuary, a place of solitude, somewhere to exercise some well-deserved self-care, and we firmly believe that everyone should love the space they live in.

We understand that good design is a key factor in promoting positive well-being, which is why we have intelligently designed and expertly curated the shower collection, to help bring your vision to life. We are here to help you create a space to be proud of.

OUR STORY

The ARC story began in 2009 when it became our mission to make homes safer, more comfortable, more stylish, and to help people live better lives. ARC set out to warehouse and sell level entry shower systems, and accessibility products.

In late 2010, AKW approached ARC with a proposal for ARC to become the North American master importer of AKW products, and in 2011 ARC expanded its sales and distribution network throughout the US and Canada.

ARC was one of the first companies in North America to pioneer this construction alternative: greater ease and efficiency of installation, few potential failures or performance issues, outstanding durability, and expensive shower design flexibility. The products are suitable for stylish showers as well as disability or aging-in-place bathing. Curbless, level entry showers meet universal design criteria, and ARC strives to remove common barriers and obstacles that impede daily living.

In February of 2020, ARC was purchased by AKW Holdings Group; this partnership allows us to expand our product's by offering additional lines of shower bases and accessories.

The AKW story began in 1982 after one of our founders had been trying to find a shower tray to meet his mother's needs without success. In frustration, he produced and patented one of his own design. Since then, AKW has become an international business and the UK's leading manufacturer of accessible bathrooms, kitchens, and daily living products.

Today, we are still driven by the same principles on which the business was founded; to support independent living and develop superior products that are practical, safe, beautifully designed and improve quality of life.

We are proud of our heritage, with *care* and *family* threads that still run through our ethos today; caring for our customers and achieving a family feel throughout our business. The products within this brochure have been carefully chosen and lovingly designed by us, for you, to underpin the principles we have been striving to achieve for over 35 years; from our family to yours.





QUALITY YOU CAN TRUST

At ARC, we pride ourselves on being able to deliver high-quality, beautiful shower products, many of which come with a 'made for life' guarantee.

As a company, we are constantly striving to evolve, and as such, we take great care when producing concepts and designs, selecting materials, and working with our network of responsible suppliers to create innovative and stylish solutions.

Life made better is more than just a slogan, it is our mantra, our motivation and it runs through the heart of everything we do.

Our focus on care and family means that we take a personable, yet professional approach with all our customers; our dedicated Customer Service colleagues are here to provide assistance and peace of mind, with our expert Technical Support team who benefit from decades of experience, available to guide and support you during and after installation.

We are here to help and ready to join you on this exciting journey.

A DESIGN FOR EVERY HOME

As designers and innovators, we are heavily influenced by current trends and take inspiration from the world around us. We also engage with and listen to our customers to make sure we can offer stylish bathroom products that help you to really love your home, no matter its size or your budget.

ARC was founded upon the need to provide a cost-effective, smart solution to improve quality of life, this still rings true today and drives us when developing new, aspirational concepts.

We are passionate about proving that anyone can have a beautiful bathroom; we have a wide range of contemporary yet affordable fixtures and fittings that not only help to maximise your space, but also reflect your own personal taste, without breaking the bank.

Together we can create a bathroom that is as individual as you are.





A NEUTRAL HAVEN

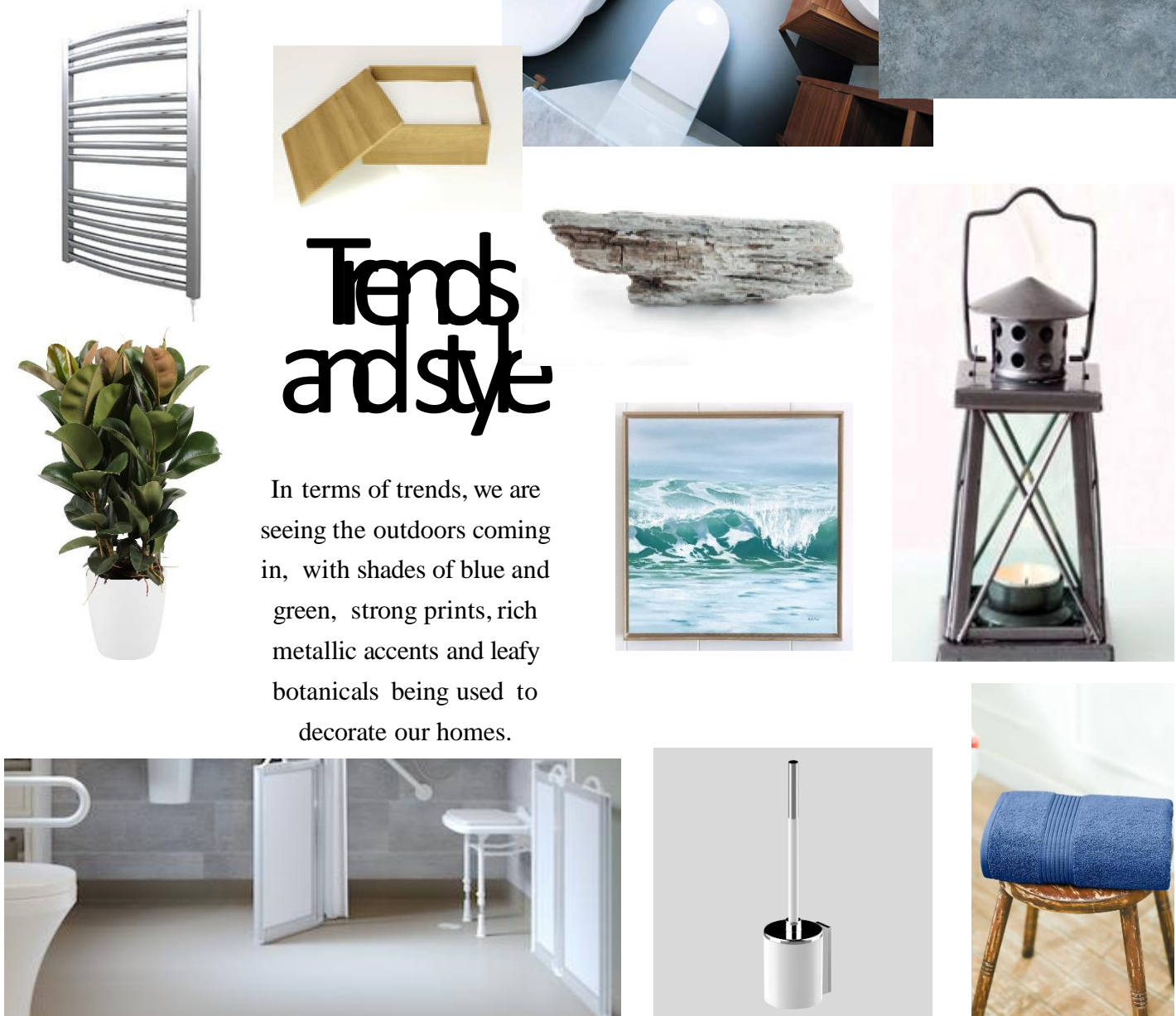
Create the ideal space to relax and unwind in, somewhere that oozes classic elegance, but also feels fresh and current.



DARE TO BE INSPIRED

We believe that everyone should enjoy designing their own beautiful bathroom; your space should represent who you are, it is a blank canvas on which you can paint.

When planning this striking concept, we were inspired by the deep hues of blue which are increasingly popular at the moment. We paired this with subtle silver and gold accessories, delicate plants and natural timbers to give this room a bold aesthetic but with a warm, inviting feel.



Trends and style

In terms of trends, we are seeing the outdoors coming in, with shades of blue and green, strong prints, rich metallic accents and leafy botanicals being used to decorate our homes.

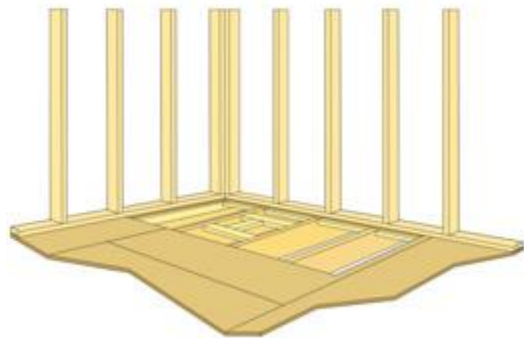


ARC SHOWER ADVANTAGES - INSTALLER

1. An ARC system is :

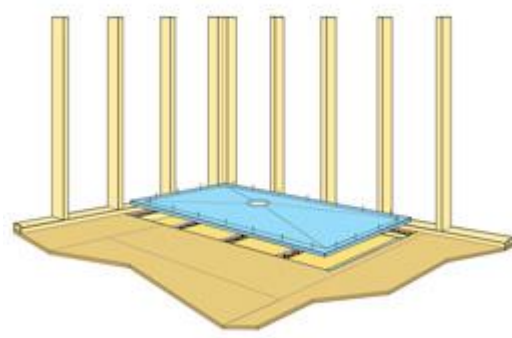
- Faster
- Easier
- More predictable
- Completion in 4 easy steps

1



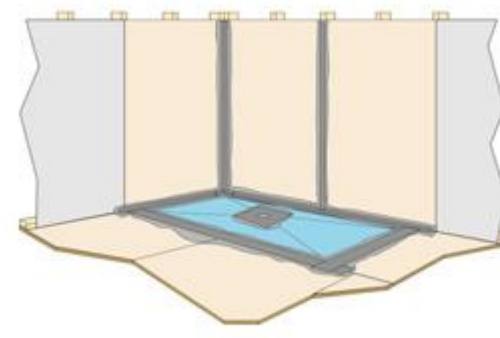
Remove subfloor and
add blocking

2



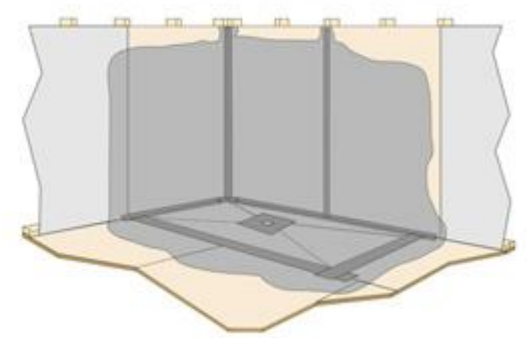
Install shower base

3



Connect drain and seal
joints

4



Complete waterproofing

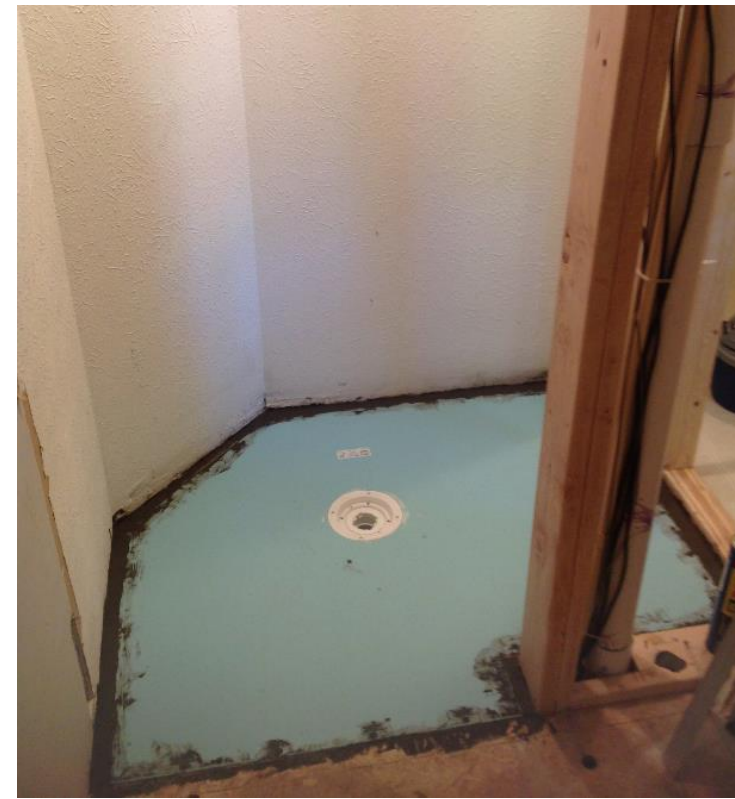
• **STRUCTURAL & PRE-PITCHED**

• **LEVEL ENTRY**

• **READY FOR TILE OR STONE**



2. Precisely pitched – you will always have perfect alignment of the drain



4. Most ARC bases can be cut



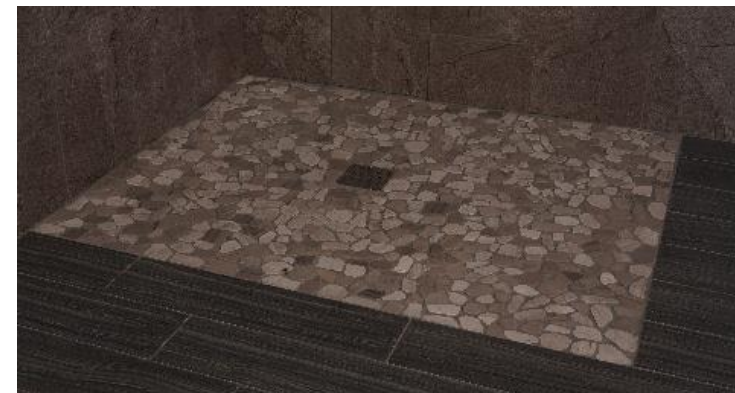
3. Rest directly on joists and match up with surrounding substrate materials



It's easy to expand beyond some bases with our TruePITCH extensions, creating as large as a 7' x 6' shower



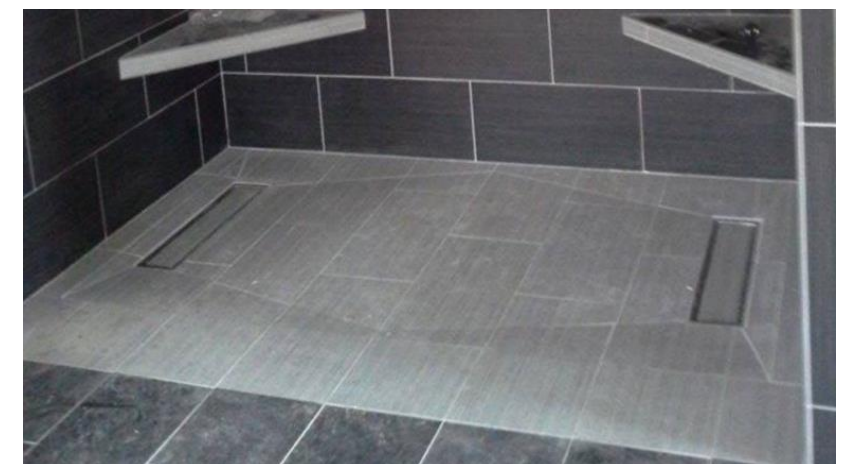
NO joist cuts are required



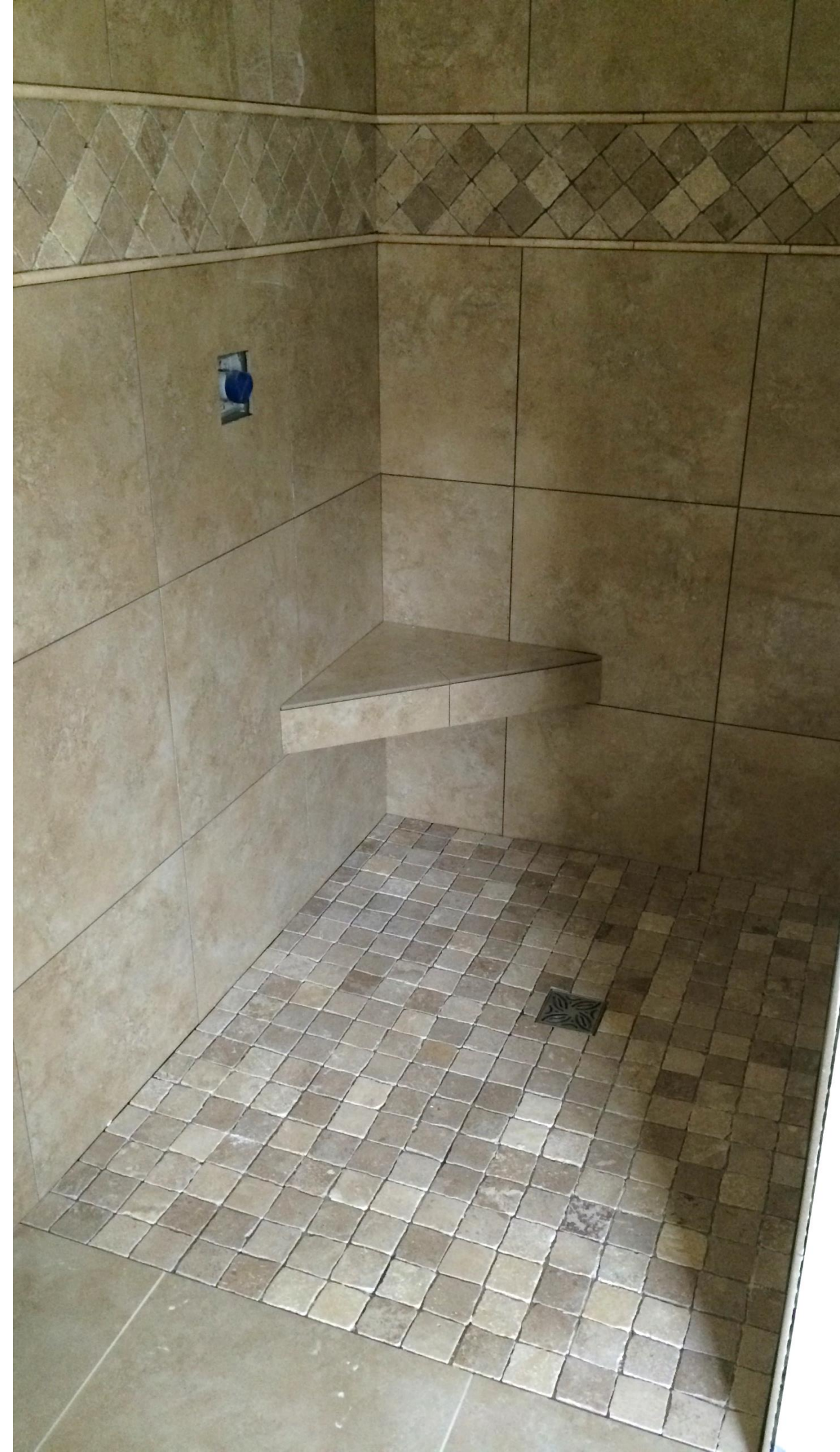
TruePITCH EXTENSIONS

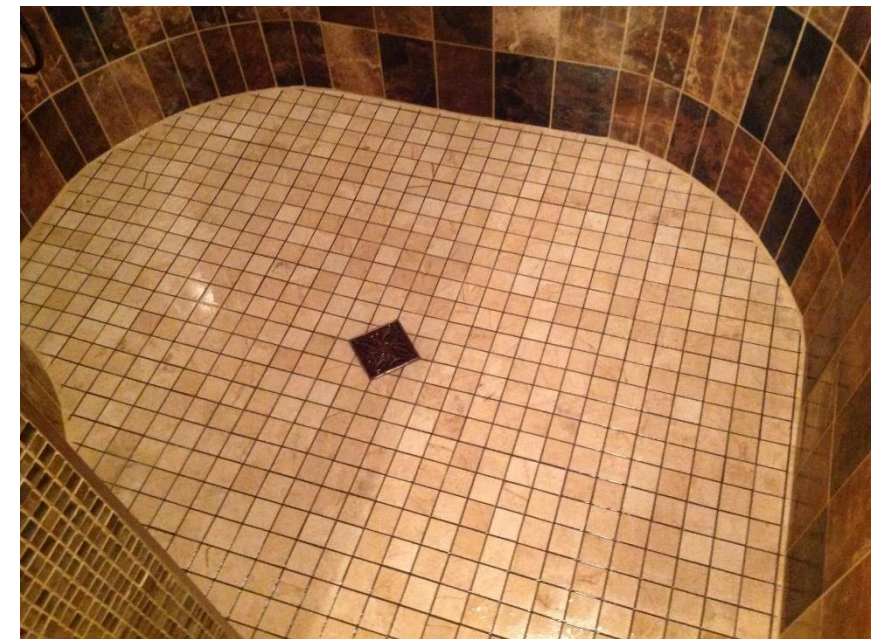
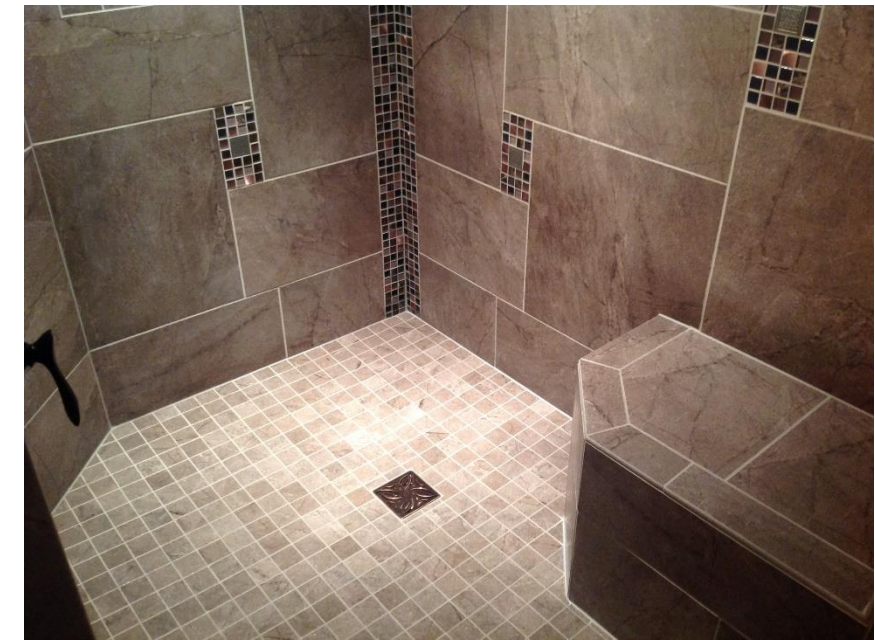


5. If your shower exceeds 7' x 6', you can install multiple bases



6. Bases easily blend with tile backer or uncoupling membrane on top of $\frac{3}{4}$ " subfloor





You will do more in less time with less labor and fewer skill requirements compared to all other curbless shower constructions methods

BUILD YOUR BATHROOM

We know that bathrooms are essential to our daily lives, but we also understand the best bathrooms do not just meet our fundamental needs, they also contribute to our well-being – they make us feel good.

This means they also need to look good, which is why at ARC, we place great importance on developing bathroom products that are not only practical, but beautiful too.

We are here to help you build your bathroom step by step and invite you to browse our range of shower bases, tailor your space with your choice of glass screens, wall panels and accessorise as you see fit, making your home one that reflects who you are.



Shower Base

Build a curbless shower using any of our structurally sound shower bases! Choose from our attractive, finished top surface bases, or our tileable or weldable vinyl for your decorative surface material.



Glass Screens with Deflector

Our glass screens provide simple, low maintenance refinement in an easy-to-install kit. Choose from fixed glass or fixed glass designed with a pivoting deflector panel.



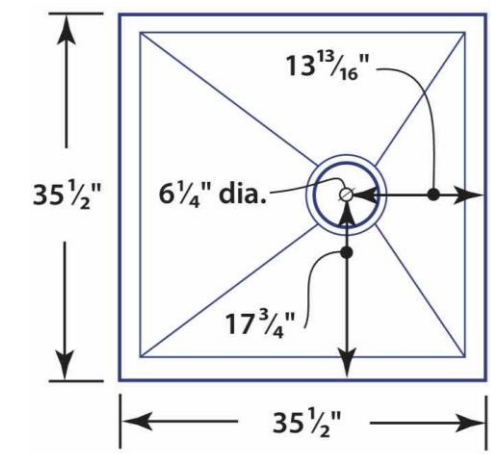
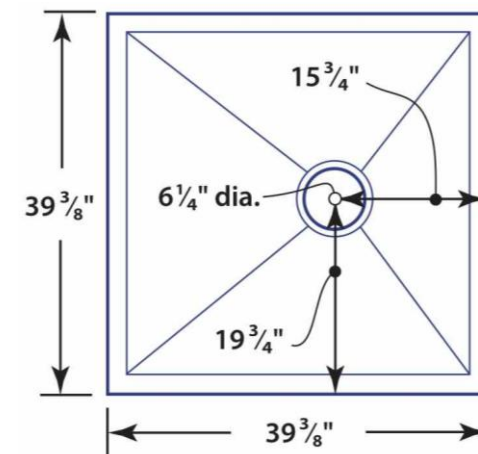
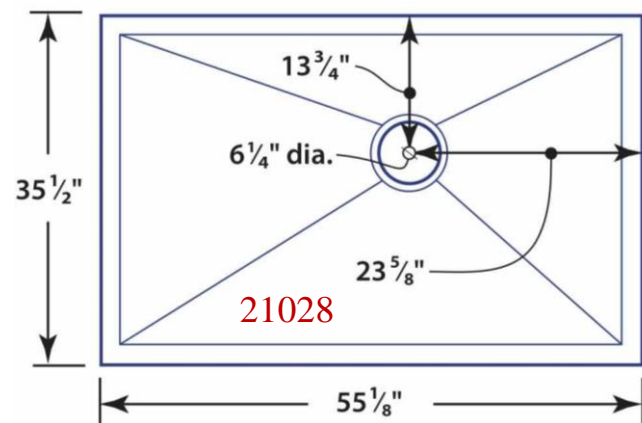
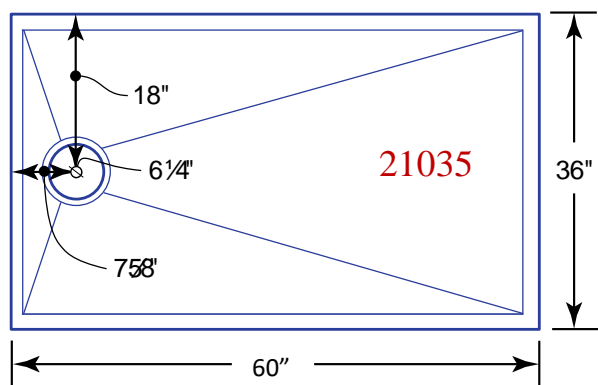
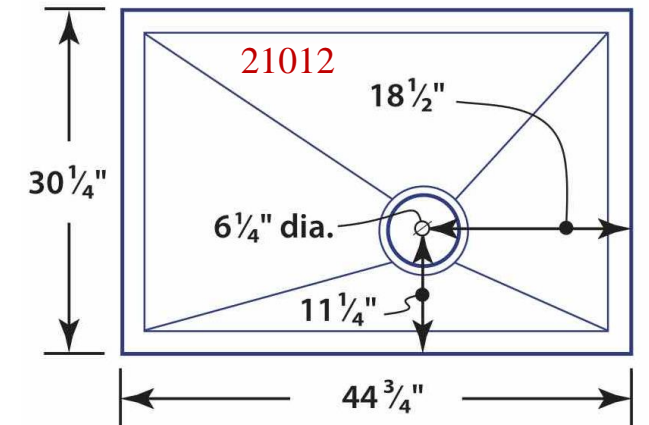
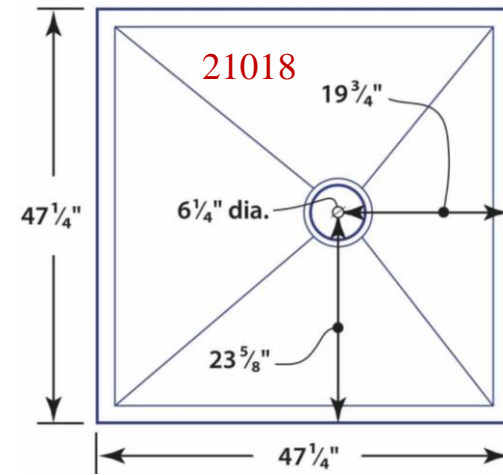
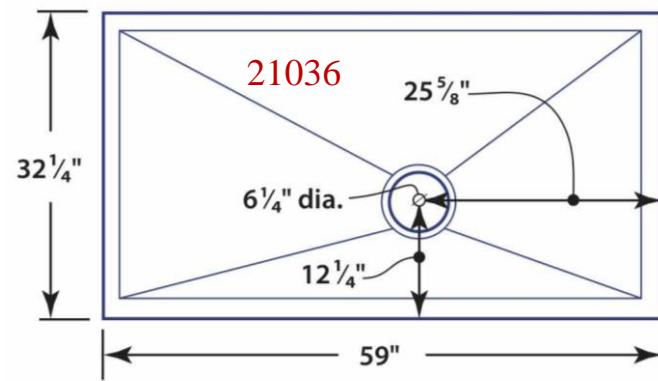
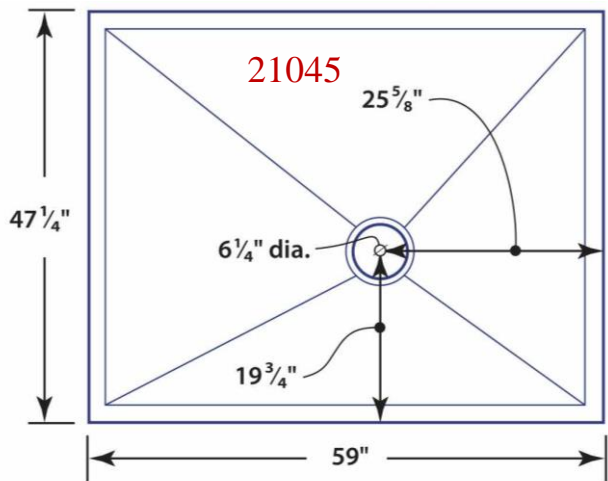
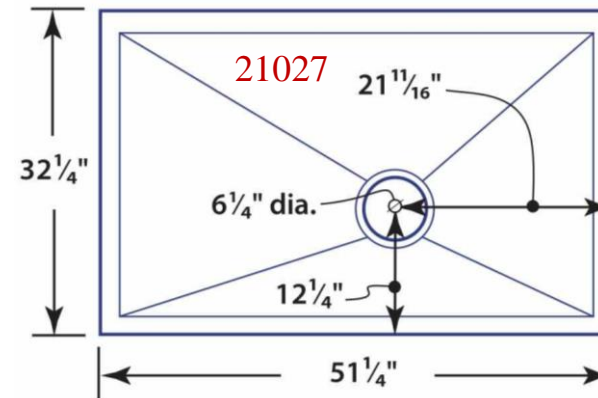
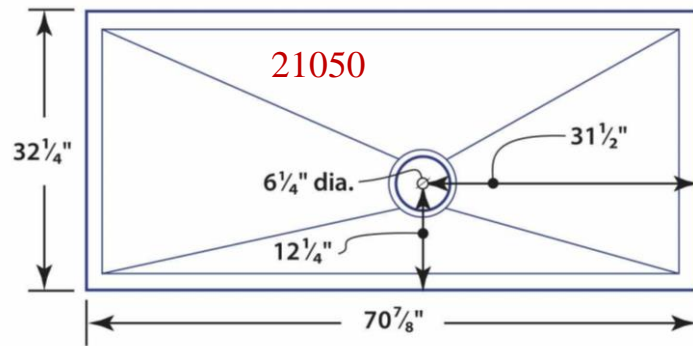
Origins Wall Panels

Our wall panels provide a stylish alternative to tiles that exudes personality and helps to reflect light effortlessly across the room,

TrueDEK® CLASSIC SHOWER BASES

Helping you create shower areas and multi-user bathrooms, TrueDEK® Classic bases make an excellent use of available space. Made of Glass Reinforced Plastic it will support up to 840 lbs. on 16" on center floor joist.

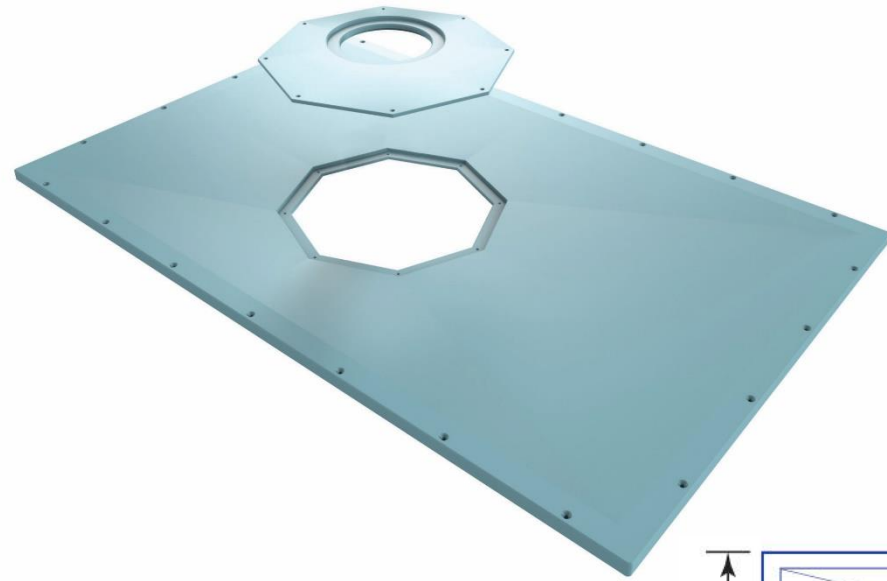
Choose tile or weldable vinyl for your decorative surface material.



NOTE: 21035 is 1" thick at the edges whereas all others are 7/8" thick

21008

21000



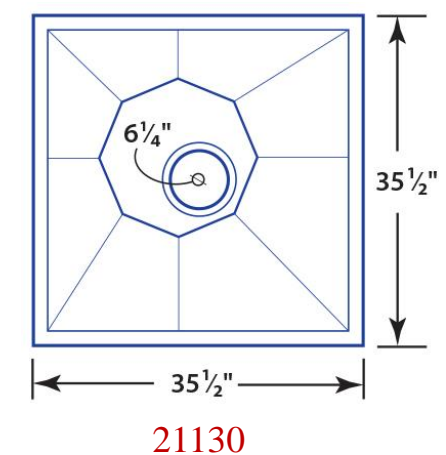
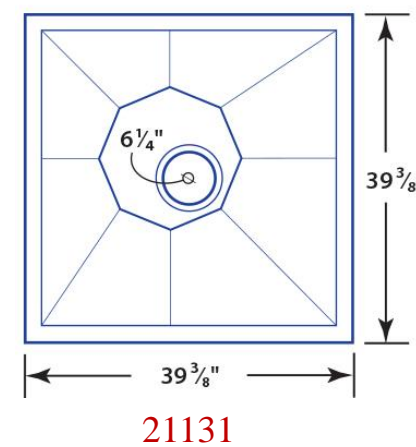
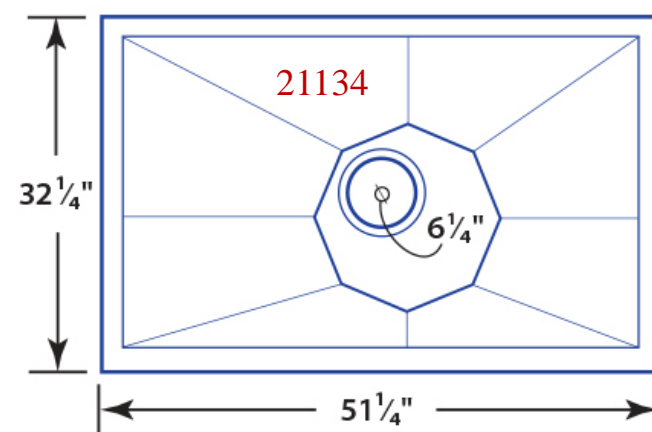
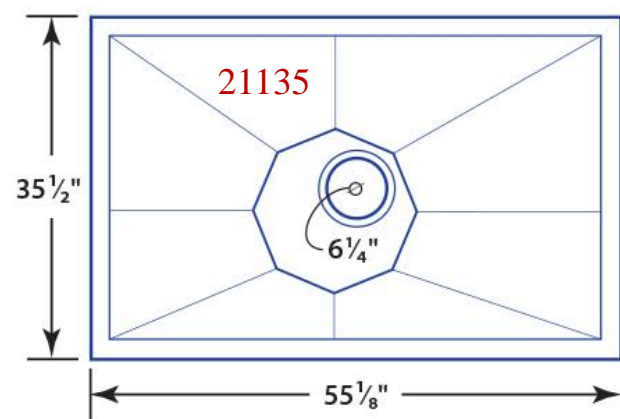
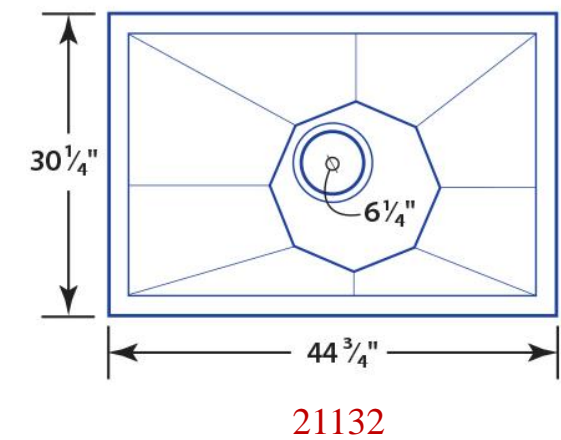
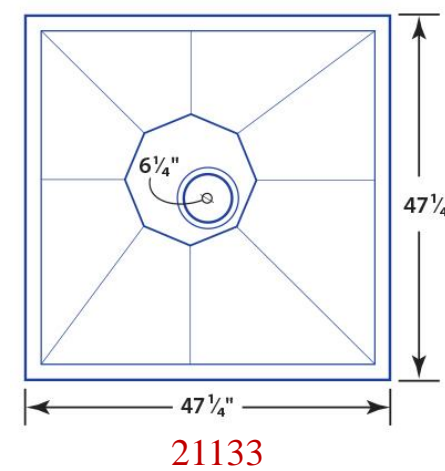
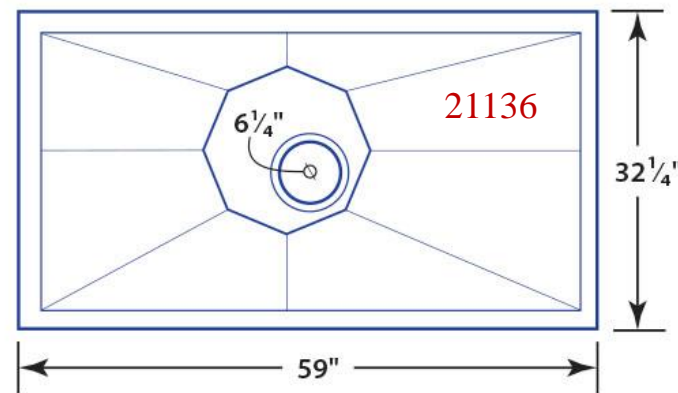
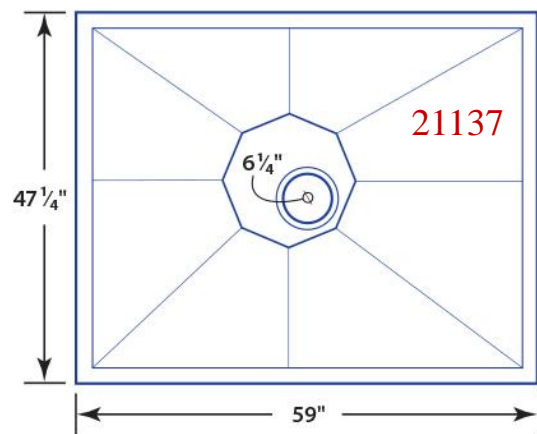
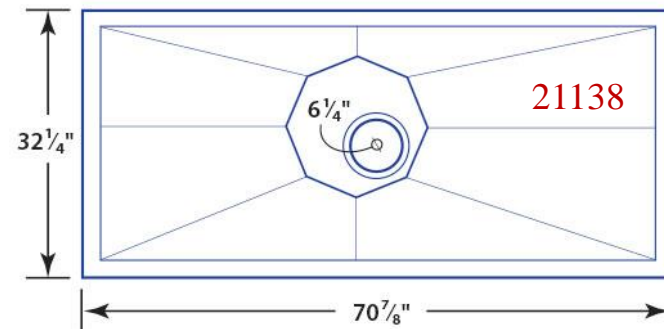
TUFF FORM8™ SHOWER BASES

The Tuff Form8 is our new level-access shower base which combines all of the TrueDEK Classic's existing benefits with a brand-new fitting innovation to create our best, most uncompromising shower base to date.

Designed for incredibly easy installation, Tuff Form8's innovative rotating octagonal plate provides 15 different waste positions to avoid all obstructing joist during installation. It also provides the increasingly popular option of

placing the waste in the center of the tray. The design of the octagonal plate maintains the fall to maximize drainage and eliminate pooling water

Choose tile or weldable vinyl for your decorative surface material.



TrueDEK® CLASSIC DRAINS

Complement your shower's plumbing fixtures and decorative tile or vinyl with an attractive Classic drain. These drains fit any TrueDEK Classic or Tuff Form8 base.

CD1213-BK



CD1230-ORB



CD1290-CH



CD1210-BS



CD1233-BK



CD1240-ORB



CD1280-CH



CD1250-BS



CD1250-VL



CD1222-ORB



WP3401-DRN

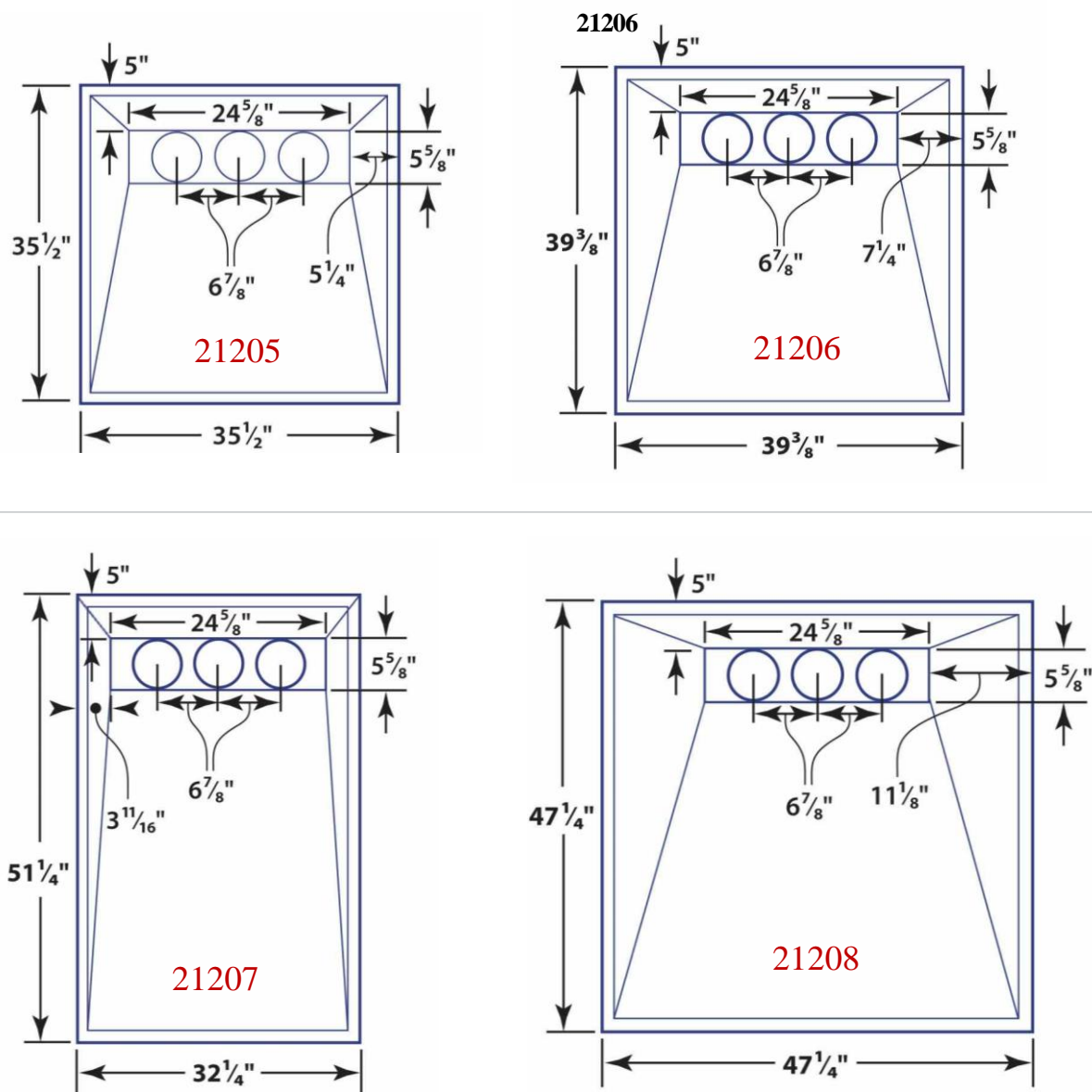


DC5500-PVC

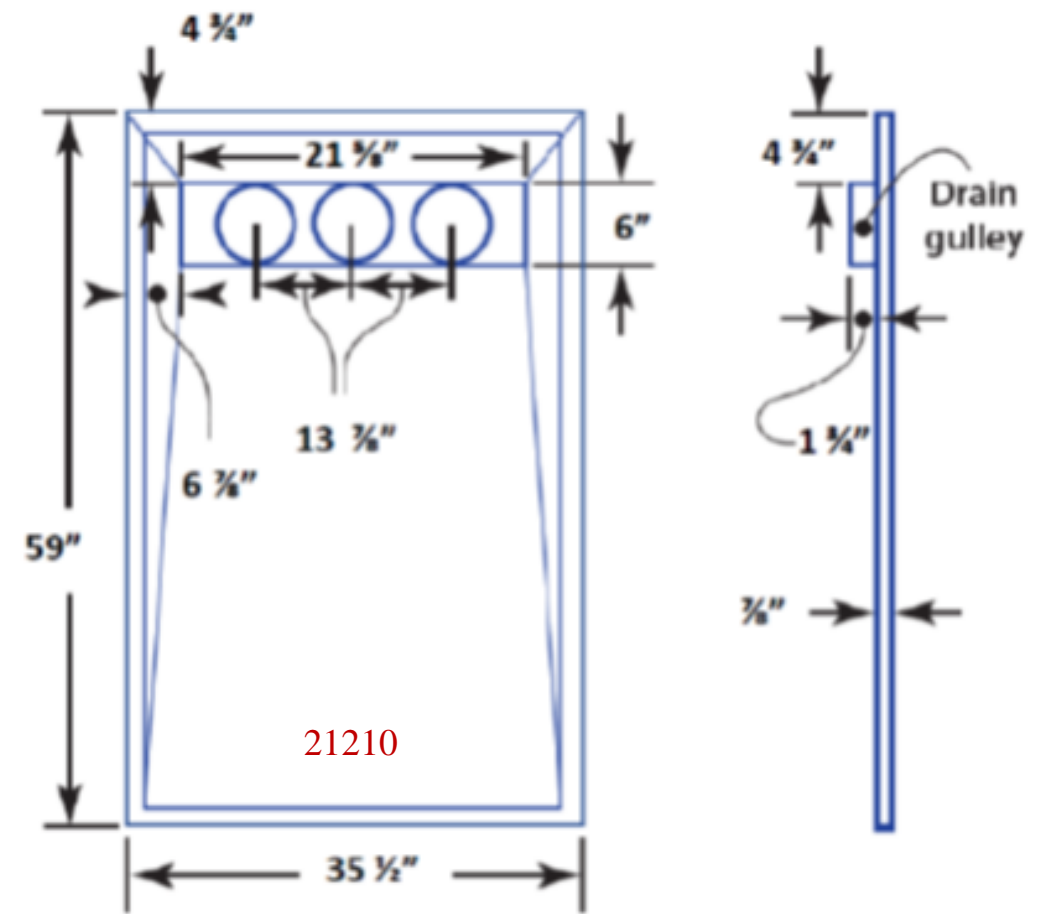
TrueDEK LINEAR SHOWER BASES

It is now possible to achieve everyday luxury in the bathroom with the help of ARC's TrueDEK Linear base. The foundation of a beautiful bathroom, TrueDEK Linears can drain even the most powerful showers quickly and efficiently, as well as accommodate a wide range of tiles. Easy to fit TrueDEK Linear offers enhanced strength through its material composition, guaranteeing longevity and maintenance free installation. TrueDEK Linear performs superbly and looks even better to create a truly aspirational bathroom experience.

These 4 bases **cannot** be cut.



NEW TrueDEK LINEAR SHOWER BASE

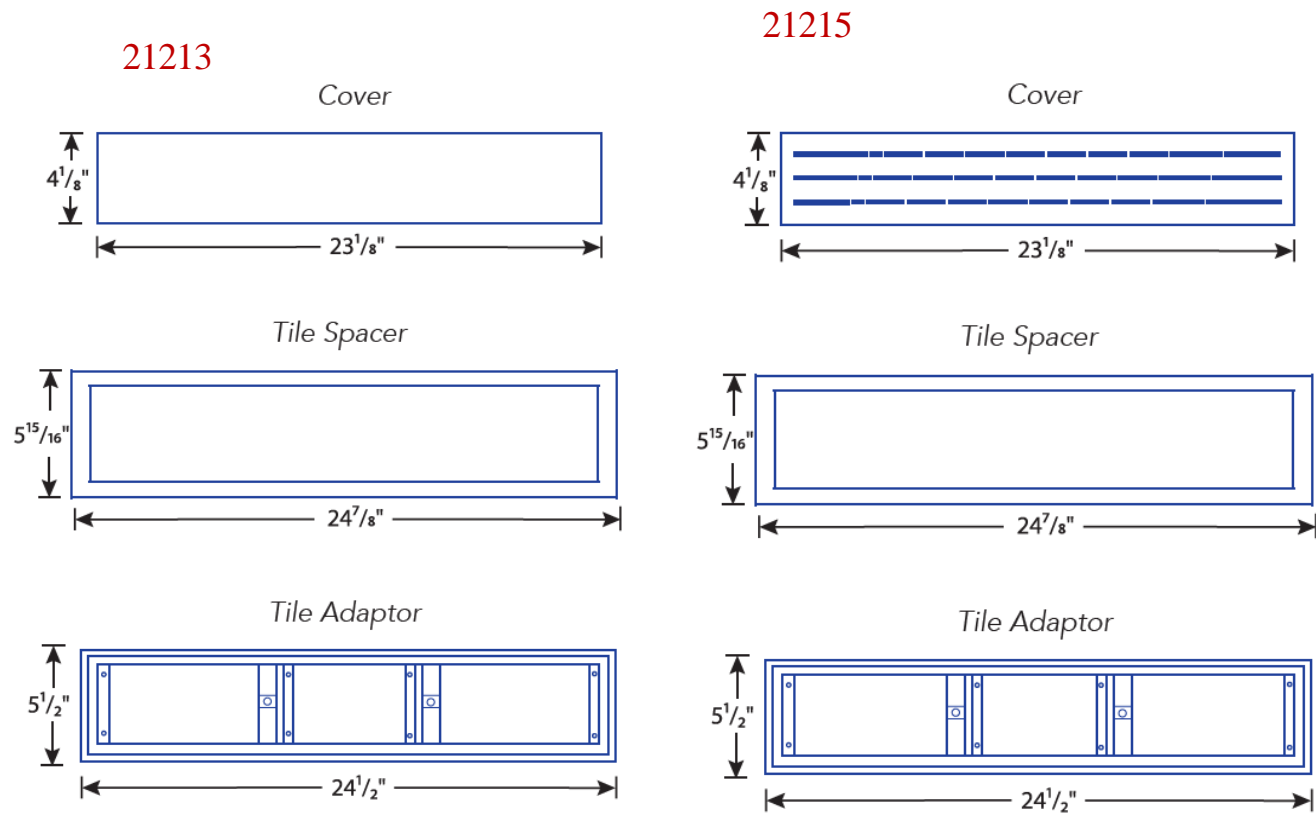


The NEW TrueDEK Linear shower bases features the same fully integrated drain gulley molded directly into a structural, pre-pitched base as the current TrueDEK Linear bases. The drain gulley offers three drain connector locations to ease installation — choose the drain location that's best for your job site or choose to install multiple drains to handle high volume water flow.

The NEW TrueDEK Linear base is made from the same Glass Reinforced Plastic allowing the base to be cut up to within 4" of the drain gulley.

TrueDEK® LINEAR DRAINS

Design versatility comes with a two-in-one reversible drain cover which offers stylish and contemporary options when fitting a tiled waste or stainless-steel cover, a stainless-steel grating option is available for an individual look.

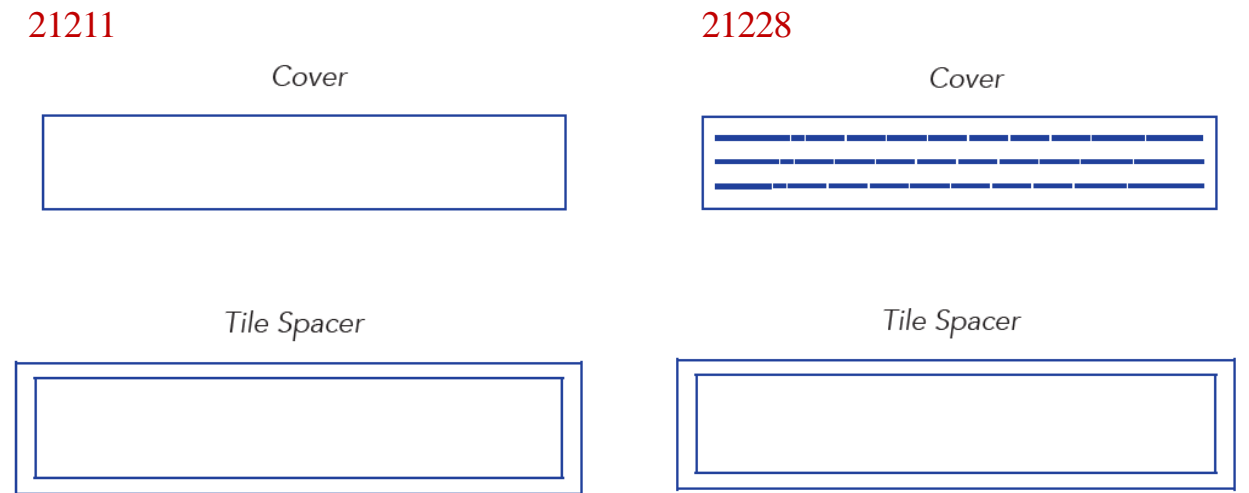


Every linear drain assembly includes a 2" PVC drain line connector.



NEW TrueDEK® LINEAR DRAINS

The NEW TrueDEK Linear base offers the same two-in-one reversible drain cover concept, not to be confused with the current Linear drains as size and adaptor differ slightly.



Every linear drain assembly includes a 2" PVC drain line connector.



WATERPROOFING KITS

ARC has assembled premium materials for installing and waterproofing your curbless shower.

Tank/10 Liquid Waterproofing Compound is an outstanding product that is easy to apply and ensures long-lasting protection. Tank/10 Polyurethane Construction Adhesive bonds to many materials, most importantly plastic shower bases and all kinds of wood joists. ARC's reinforcement tape, pre-formed corners, and screws are all top quality to help you do the job right. We want to supply you with the best products possible. That way your shower base, the foundation under all your decorative materials, lasts and lasts.

WP1090-PRO



- 1/2 gallon of TANK/10 waterproofing compound (covers approximately 30 sq. ft. with two coats)
- 25 ft. of joint reinforcement tape
- 2 — internal corners
- 2 — external corners
- 32 — #9 x 2 1/2" premium Torx screws
- 1 — Torx bit driver
- 6 — 10 oz. tubes of Tank/10 polyurethane construction adhesive
- 1 — 10 oz. tube of latex caulk
- 2 — pairs of nitrile gloves
- 1 — paint roller handle
- 2 — paint roller covers
- 1 — paint brush

WP1000-PRE



- 2 gallons of TANK/10 waterproofing compound (covers approximately 120 sq. ft. with two coats)
- 75 ft. of joint reinforcement tape (3 — 25 ft. rolls)
- 4 — internal corners
- 2 — external corners
- 1 — supply gasket
- 1 — mixer valve gasket
- 32 — #9 x 2 1/2" premium Torx screws
- 1 — Torx bit driver
- 6 — 10 oz. tubes of Tank/10 polyurethane construction adhesive
- 1 — 10 oz. tube of latex caulk
- 2 — pairs of nitrile gloves
- 1 — paint roller handle
- 2 — paint roller covers
- 1 — paint brush

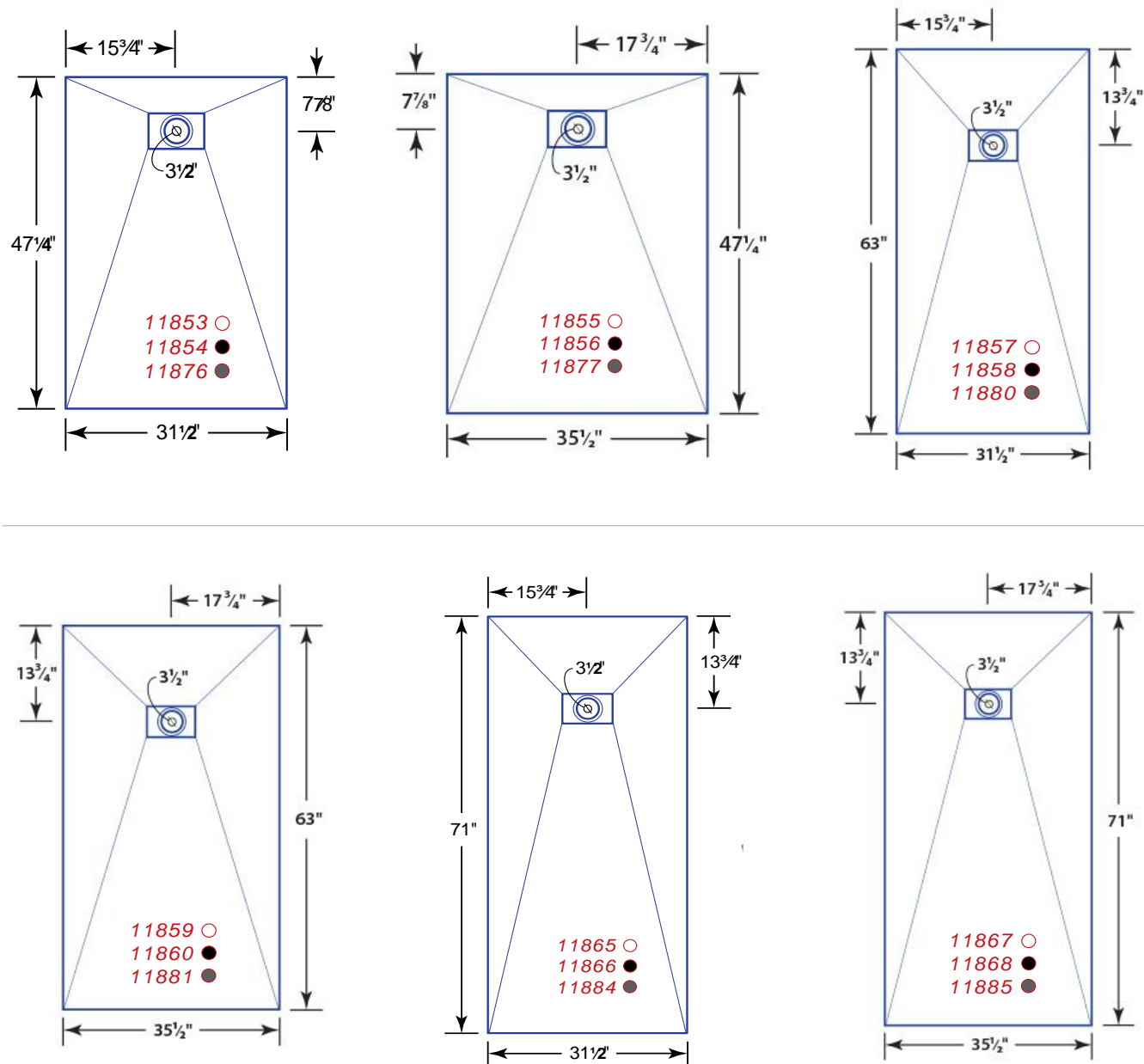
FastDEK® SHOWER BASES

This structurally strong shower base has an attractive, finished top surface, so tile isn't needed. A FastDEK is easy to install, and installation can be completed in a day. You can install the shower base for level-entry, or choose to have a small (1/8" to 1/2") step into the shower. Allowing a small step-in makes the installation easier and faster.

FastDEK showers look great, and they're a great solution for converting tubs to showers quickly.

FastDEK® INSTALLATION KIT

FB1000-IK



WALL PANELS

Wall panels are the perfect way to make a statement when designing your bathroom. As a cost-effective alternative to traditional ceramic tiles, our luxurious collection features scratch-resistant, high-pressure laminate finishes that are incredibly easy to maintain, and are available in a wide variety of styles.

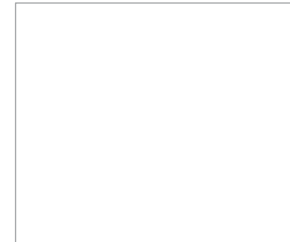
Origins Wall Panel 60" x 35 1/2" Kit :

- 4 – 94 1/2" x 35 1/2" Wall Panels
- 2 – Inside Corners
- 4 – End Caps
- 6 – 10 oz Tubes Adhesive
- 4 – 10 oz Tubes Clear Silicone
- 2 – Bottom Trim Pieces

Notes: Origins Wall Panel Kits are available in different sizes as well as materials available A La Carte

ORIGINS WALL PANELS

Alpino
Origins Wall Panel Kit
60" x 35 1/2"
OW6036-ALP
SPECIAL ORDER



Aqua Bonito
Origins Wall Panel Kit
60" x 35 1/2"
OW6036-AQB
SPECIAL ORDER



Arctic Shimmer
Origins Wall Panel Kit
60" x 35 1/2"
OW6036-ATS
SPECIAL ORDER



Beige Eiger
Origins Wall Panel Kit
60" x 35 1/2"
OW6036-BGE
SPECIAL ORDER



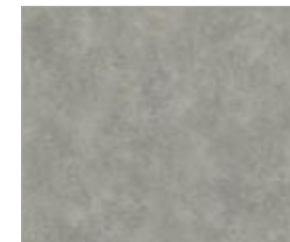
Black Bonito
Origins Wall Panel Kit
60" x 35 1/2"
OW6036-BKB
SPECIAL ORDER



Blue Eiger
Origins Wall Panel Kit
60" x 35 1/2"
OW6036-BLE
SPECIAL ORDER



Cloudy Marble
Origins Wall Panel Kit
60" x 35 1/2"
OW6036-CLM



Grey Bonito
Origins Wall Panel Kit
60" x 35 1/2"
OW6036-GYB



Moonlight Shimmer
Origins Wall Panel Kit
60" x 35 1/2"
OW6036-MLS
SPECIAL ORDER



Oyster Marble
Origins Wall Panel Kit
60" x 35 1/2"
OW6036-OSM
SPECIAL ORDER



Toffee Marble
Origins Wall Panel Kit
60" x 35 1/2"
OW6036-TFM



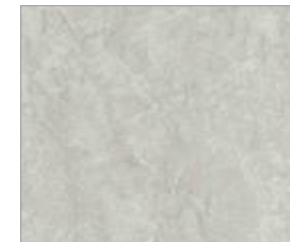
Travertino
Origins Wall Panel Kit
60" x 35 1/2"
OW6036-TRA



Twilight Marble
Origins Wall Panel Kit
60" x 35 1/2"
OW6036-TLM
SPECIAL ORDER



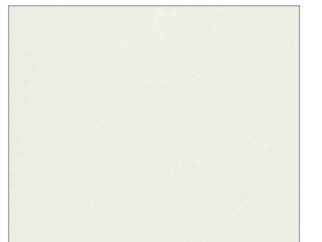
White Bonito
Origins Wall Panel Kit
60" x 35 1/2"
OW6036-WBO
SPECIAL ORDER



White Frost
Origins Wall Panel Kit
60" x 35 1/2"
OW6036-WFS



White Gloss
Origins Wall Panel Kit
60" x 35 1/2"
OW6036-WHT
SPECIAL ORDER





ORIGINS WALL PANELS PROFILES

Profile Types (98" long)



End Cap



Straight Join
(Continuous)



Internal
Corner



External
Corner

The above are available in chrome, white, black, SSA (satin anodized aluminum), or color matching as standard

Profile Types (118" long)



PVC Bottom to
Tray Profile



PVC Bottom to
Vinyl Profile



Aluminium Bottom
Tile Profile

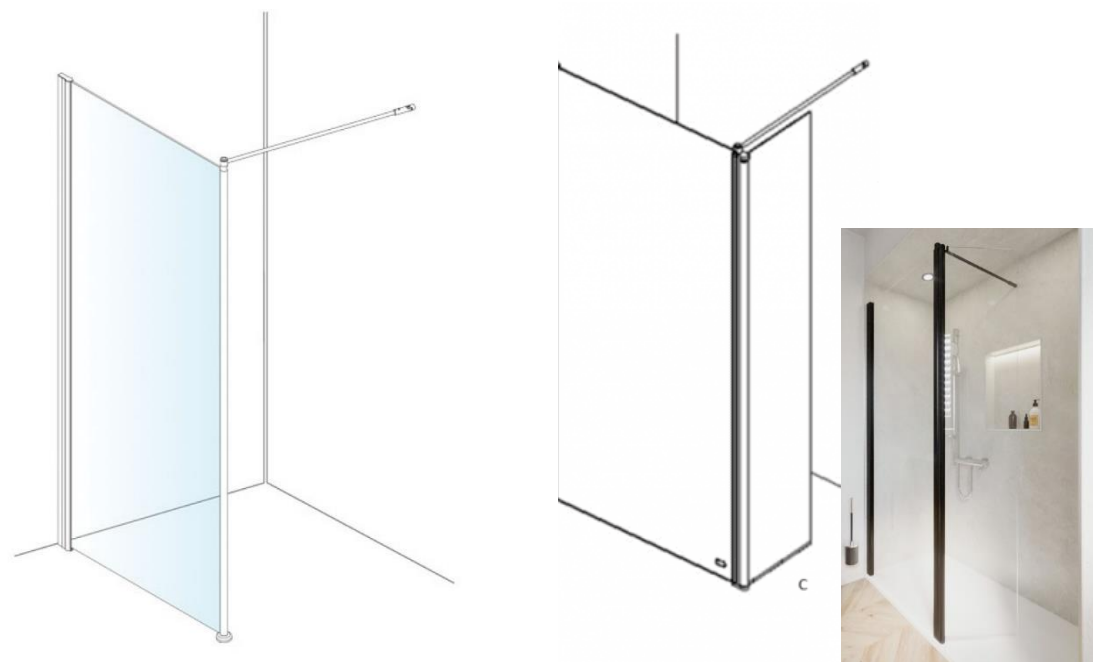
GLASS SCREENS & DEFLECTOR PANELS

Glass Screens are an attractive addition to curbless showers.

Our Glass Screens provide simple, low maintenance refinement in an easy-to-install kit. Adjustments are easy to make to ensure the screen is installed plumb and level.

We offer both wall mounted screens (one edge attached to a wall) and freestanding screens (entire screen stands away from all walls). Feel free to mix and match screens sizes and types to suit your shower design.

All screens are made of tempered safety glass with polished aluminum trim.



ADDITIONAL PRODUCTS

SHOWER SYSTEMS

A La Carte Waterproofing & Installation Supplies

WP2000-TNK	Tank/10 Waterproofing — 1/2 gal.
WP2001-TNK	Tank/10 Waterproofing — 1 gal.
WP2002-TNK	Tank/10 Waterproofing — 2 gal.
WP2005-TNK	Tank/10 Waterproofing — 5 gal.
WP3101-INT	Internal Corner — 1 corner
WP3112-INT	Internal Corner — 12 corners
WP3201-EXT	External Corner — 1 corner
WP3212-EXT	External Corner — 12 corners
WP3301-SUP	Supply Gasket — 1 gasket
WP3312-SUP	Supply Gasket — 12 gaskets
WP3401-DRN	Drain Gasket — 1 gasket
WP5000-MXV	Mixer Valve Gasket
WP3425-JRT	Joint Reinforcement Tape — 25 ft.
WP3450-JRT	Joint Reinforcement Tape — 50 ft.
WP2101-TNK	Tank/10 Polyurethane Construction Adhesive - 1 tube (10 oz. tubes)
WP2112-TNK	Tank/10 Polyurethane Construction Adhesive - 12 tubes (10 oz. tubes)
WP4010-PAC	Painter's Acrylic Latex Caulk — 6 tubes (10 oz. tubes)

SHOWER ACCESSORIES

Glass Shower Screens

LB00105	Wall Mounted Screen 27½" x 76¾" 60
LB00106	Wall Mounted Screen 31½" x 76¾" 62
LB00107	Wall Mounted Screen 35½" x 76¾" 70
LB00108	Wall Mounted Screen 39¾" x 76¾" 78
LB00112	Freestanding Screen 39¾" x 76¾" 81
LB00123	Tie Bar 27½"-long
LB00124	Tie Bar 31½"-long
LB00125	Tie Bar 35½"-long

Bendy Rails and Curtains

24033	Bendy Rail 78"-long
24034	Bendy Rail 98"-long
24044	Bendy Rail 118"-long
24077	Curtain 70¾"-wide x 74¾"-long
24078	Curtain 70¾"-wide x 78¾"-long
24079	Curtain 70¾"-wide x 82½"-long
24092	Hook and Glide Connectors (11/pack)

Caregiver Doors

91110	Alcove Caregiver Door
91111	Alcove Caregiver Door
91113	Alcove Caregiver Door
91114	Alcove Caregiver Door
91115	Alcove Caregiver Door
24130	Extra-wide Compensator
24105-WH	Replacement Door Latch
24106-WH	Replacement Door Handle

GRAB BARS & SUPPORTS

01190-BU	Padded Back Rest
01190-GR	Padded Back Rest
01200-BR	12" Flat End Grab Bar
01200-WH	12" Flat End Grab Bar
01210-BR	18" Flat End Grab Bar
01210-WH	18" Flat End Grab Bar
01745-L	Newel Grab Bar — left
01745-R	Newel Grab Bar — right
01750-WH	24" Cranked Grab Bar
01760-WH	18" Cranked Grab Bar
01810-WH	Fold-up Support — no leg
01820-WH	Fold-up Support — fixed leg
01830-BU	Fold-up Support — adjustable leg
01830-SS	Fold-up Support — adjustable leg
01830-WH	Fold-up Support — adjustable leg
01900-BU	12" Comfort Grip Grab Bar
01900-GR	12" Comfort Grip Grab Bar
01900-WH	12" Comfort Grip Grab Bar
01905-BU	16" Comfort Grip Grab Bar
01905-GR	16" Comfort Grip Grab Bar
01905-WH	16" Comfort Grip Grab Bar
01910-BU	18" Comfort Grip Grab Bar
01910-GR	18" Comfort Grip Grab Bar
01910-WH	18" Comfort Grip Grab Bar
01915-BU	135° Angled Comfort Grip Grab Bar
01915-WH	135° Angled Comfort Grip Grab Bar
01920-BU	24" Comfort Grip Grab Bar
01920-GR	24" Comfort Grip Grab Bar
01920-WH	24" Comfort Grip Grab Bar
01925-BU	90° Angled Comfort Grip Grab Bar
01925-WH	90° Angled Comfort Grip Grab Bar
01930-BU	32" Comfort Grip Grab Bar
01930-GR	32" Comfort Grip Grab Bar
01930-WH	32" Comfort Grip Grab Bar
01940-BU	36" Comfort Grip Grab Bar
01940-GR	36" Comfort Grip Grab Bar
01940-WH	36" Comfort Grip Grab Bar
01941-WH	Cut-to-length Alcove Grab Bar Kit
01942-WH	Cut-to-length Corner Grab Bar Kit
01943-WH	Cut-to-length Extension Bar Kit
01950-BU	42" Comfort Grip Grab Bar
01950-GR	42" Comfort Grip Grab Bar
01950-WH	42" Comfort Grip Grab Bar

SHOWER SEATS

2000 Series Shower Seats

02000P	Compact Seat
02010P	Standard Seat
02130P	Standard Seat with back & arms
02200P	Compact Seat
02210P	Standard Seat
02230P	Standard Seat with back & arms

4000 Series Shower Seats

04030	Wood Slatted Seat
04070P	Standard Seat
04100P	Standard 'U' Seat
04110P	Wide Seat
04120P	Wide 'U' Seat
04130P	Standard Seat with back & arms
04140P	Wide Seat with back & arms
04150P	Wide 'U' Seat with back & arms
04160P	Standard 'U' Seat with back & arms
04580P	Extra-wide Seat
04200P	Standard 'U' Seat
04210P	Wide Seat
04220P	Wide 'U' Seat
04230P	Standard Seat with back & arms
04240P	Wide Seat with back & arms
04250P	Wide 'U' Seat with back & arms
04260P	Standard 'U' Seat with back & arms
04270P	Standard Seat
04570P	Extra-wide Seat

WARRANTY INFORMATION

At ARC we offer a wide variety of warranties for our products, many of which have a *'Made for Life'* guarantee. Please be aware that all our product warranties exclude damage, misuse, limescale build up, and wear and tear.

FOR MORE INFORMATION

Browse our full range of bathing and showering products by visiting our website and downloading our latest catalog. **Visit: arcfirst.net**

