



**U-LINE**

RIGHT PRODUCT. RIGHT PLACE. RIGHT TEMPERATURE. SINCE 1962.



# Price Book

Effective  
July 2021

**ALMO**<sup>®</sup>  
Premium Appliances  
Distribution on a *Personal Level*



## ☉ Integration Options for Every Kitchen Solution

- Offering a full array of refrigeration integration options for any kitchen design. U-Line offers semi built-in, fully built-in, and seamless integration options



## ☉ Industry Exclusive Features on Best in Class Under Counter Refrigeration (5 Class)

- Full Depth Lower Interior for more usable space
- Industry Leading: Variable speed compressor delivers maximum energy efficiency, faster temperature response, and quieter operation
- U-adjust™ - 19 Adjustments positions for bins or wine shelves to accommodate all types of bottle sizes



## ☉ Industry Best Ice Makers & Ice Machines

- Available models include Clear ice, Nugget Ice, or Crescent Ice
- Commercial quality capacity and production; from 60-90 lbs per day depending on model
- Nugget Ice Machine with Industry Exclusive Water filter & dispenser
- U-Choose™ - Industry Exclusive Ice density adjustments from Firm/Compact to Soft & Chewable



## ☉ Outstanding Temperature Control

- Ideal food, beverage & wine preservation with easy management of temperature from -5 degree for ice cream; to 33 degrees for cold beverages; 48 to 62 degrees for wine
- Adjustable temperature range for Refrigerators, Beverage Centers, and Wine Storage units from 33-70 degrees depending on model



## ☉ Designed, Engineered & Assembled in Milwaukee, WI

- Proud heritage; Design, engineering, and final assembly of all products is completed in Milwaukee, WI
- More than 50 years of innovation
- U-Choose™ - Ice density adjustments from Firm/Compact to Soft & Chewable



## ☉ Industry Leading Warranty Options

- Each product is backed by up to 3 year warranty, 5 years parts on sealed system
- A free additional year warranty is available with registration at U-line.com within 60 days



## CATEGORIES

---

Beverage Centers	6
Wine Refrigerators	18
Ice Machines	32
Refrigerators	40
Convertible Freezers	56
Dispensers	58
Outdoor Collection	61
ADA Collection	71
Marine Collection	80
U-Chill	92
Warranty	94

# Beverage Centers



Designed to hold a combination of soft drinks, beer, wine, and everything in between. Our undercounter Beverage Centers are a favorite of cocktail enthusiasts, wine lovers, and beer drinkers alike and are the perfect accompaniment to any room, making entertaining easier and life more enjoyable, while putting convenience within arm's reach.





Stainless Solid



Stainless Frame

### Key Features

- Convection cooling system provides a quick cool down and consistent temperature
- Extended lower interior maximizes storage options
- Digital touch pad control with blue LED display
- Stainless steel grille, and full-wrap door
- Volume of 5.4 cu ft holds up to 117 bottles (12 oz) or 194 cans (12 oz) and 6 wine bottles (750 ml)
- Temperature range: 34°F - 60°F
- Bright white LED lighting
- Black interior
- Three adjustable tempered glass shelves
- Stainless steel handle (7/8" diameter)
- Field reversible door is shipped right-hand hinged
- Built-in or freestanding
- Four adjustable leveling legs

### Model Details

Model	Voltage/Hz	Door Swing	Finish	Shipping Weight	MAP	MSRP
UHBV024-SG01A	115 / 60	Field Reversible	Stainless Frame	124 lb	\$1,299	\$1,449
UHBV024-SS01A	115 / 60	Field Reversible	Stainless Solid	110 lb	\$1,249	\$1,389

### Accessories

Model	Description	Finish	Shipping Weight	MAP	MSRP
ULAFREESTANDB	Freestanding Kit	Black	3 lb	\$63	\$70



Stainless Frame



Integrated Frame



Integrated Solid

### Additional Options

- Stainless lock model available



Stainless Lock Model

### Key Features

- Convection cooling system provides a quick cool down and consistent temperature
- Extended lower interior maximizes storage options
- Black interior
- LowE coated, argon gas filled, dual thermopane glass door provides protection from harmful UV Light
- Stainless steel full-wrap door and handle (7/8" diameter)
- Stainless steel grille (stainless model), black metal grille (integrated models)
- Two, three-quarter extension, black wine racks
- Two adjustable tempered glass shelves
- Digital touch pad control
- Temperature range: 34°F to 60°F
- Bright white LED lighting
- Volume of 5.5 cu ft holds up to 16 wine bottles (750 ml), and 85 bottles (12 oz) or 105 cans (12 oz)
- Field reversible door is shipped right-hand hinged
- Built-in or freestanding
- Four adjustable leveling legs

### Model Details

Model	Voltage/Hz	Door Swing	Finish	Shipping Weight	MAP	MSRP
UHBV124-SG01A	115 / 60	Field Reversible	Stainless Frame	120 lb	\$1,739	\$1,939
UHBV124-SG31A	115 / 60	Field Reversible	Stainless Frame (Lock)	120 lb	\$1,789	\$1,989
UHBV124-IG01A	115 / 60	Field Reversible	Integrated Frame	115 lb	\$1,689	\$1,879
UHBV124-IS01A	115 / 60	Field Reversible	Integrated Solid	105 lb	\$1,589	\$1,769

### Accessories

Model	Description	Finish	Shipping Weight	MAP	MSRP
ULAFREESTANDB	Freestanding Kit	Black	3 lb	\$63	\$70



Stainless Frame



Integrated Frame



Integrated Solid

### Key Features

- Convection cooling system provides a quick cool down and consistent temperature
- Black interior
- LowE coated, argon gas filled, dual thermopane glass door provides protection from harmful UV Light
- Stainless steel full-wrap door and handle (7/8" diameter)
- Stainless steel grille (stainless model), black metal grille (integrated models)
- Two, three-quarter extension, black wine racks
- Two adjustable tempered glass shelves
- Digital touch pad control
- Temperature range: 34°F to 60°F
- Bright white LED lighting
- Volume of 2.9 cu ft holds up to 8 wine bottles (750 ml), and 48 bottles (12 oz) or 60 cans (12 oz)
- Field reversible door is shipped right-hand hinged
- Built-in or freestanding
- Four adjustable leveling legs

### Model Details

Model	Voltage/Hz	Door Swing	Finish	Shipping Weight	MAP	MSRP
UHBV115-SG01A	115 / 60	Field Reversible	Stainless Frame	96 lb	\$1,619	\$1,799
UHBV115-IG01A	115 / 60	Field Reversible	Integrated Frame	93 lb	\$1,569	\$1,749
UHBV115-IS01A	115 / 60	Field Reversible	Integrated Solid	89 lb	\$1,469	\$1,639

## 2218BEV • 18" Beverage Center • 2000 Series



STAINLESS  
FRAME



STAINLESS  
FRAME (LOCK)



INTEGRATED  
FRAME



INTEGRATED FRAME  
(STAINLESS  
HANDLELESS PANEL)\*



INTEGRATED  
SOLID



INTEGRATED SOLID  
(STAINLESS  
HANDLELESS PANEL)\*

### PERFORMANCE

- Volume of 3.4 cu ft holds up to 51 bottles (12 oz) or 87 cans (12 oz) and 7 wine bottles (750 ml)
- Digital Touch Pad Control is conveniently located on upper face of unit
- Approximate temperature range: 34°F - 45°F
- Convection cooling system rapidly and efficiently takes items to the set temperature

### INTERIOR/EXTERIOR

- Black interior is illuminated with LED lighting that automatically turns off when the door is closed, or can be set to stay on for 3 hours
- Full extension black coated wine racks allow for easy access
- Wine racks accommodate a variety of bottle shapes and sizes
- Three adjustable tempered glass shelves with 7 height positions
- LowE coated, argon gas filled, triple thermopane glass door provides protection from harmful UV Light
- Stainless steel handle (7/8" diameter)
- The door swing on non-lock models is field reversible, and is shipped right-hand hinged
- Lock models must be ordered right-hand or left-hand hinged

### INTEGRATION

- Solid natural beech wood fronts on wine racks can easily be stained to match surrounding cabinetry
- Robust, concealed, and covered hinges with built-in door stop and closer
- Integrated model requires 3/4" custom panel of your choice, or can accept U-Line Euro Style Handleless Stainless Panel Accessory (must be ordered separately)
- Fixed grille can accept an integrated toe-kick
- Four independently adjustable leveling legs provide a precise undercounter fit

## MODEL DETAILS

Model	Voltage/Hz	Door Swing	Finish	Shipping Weight	MAP	MSRP
U-2218BEVS-00A	115 / 60	Field Reversible	Stainless Frame	127 lb	\$2,469	\$2,749
U-2218BEVS-13A	115 / 60	Right-Hand Hinged	Stainless Frame (Lock)	127 lb	\$2,519	\$2,799
U-2218BEVS-15A	115 / 60	Left-Hand Hinged	Stainless Frame (Lock)	127 lb	\$2,519	\$2,749
U-2218BEVINT-00A	115 / 60	Field Reversible	Integrated Frame	125 lb	\$2,299	\$2,559
U-2218BEVINT-60A	115 / 60	Field Reversible	Integrated Solid	119 lb	\$2,229	\$2,479

## ACCESSORIES

Model	Description	Finish	Shipping Weight	MAP	MSRP
ULASHP18FRAME*	Stainless Handleless Panel Frame	Stainless	8 lb	\$259	\$288
ULASHP18SOLID*	Stainless Handleless Panel Solid	Stainless	12 lb	\$218	\$243

\*Installs on integrated models.

**FEATURES & BENEFITS**



<b>PERFORMANCE</b>	<ul style="list-style-type: none"> <li>• Volume of 4.9 cu ft holds up to 79 bottles (12 oz) or 123 cans (12 oz) and 10 wine bottles (750 ml)</li> <li>• Digital Touch Pad Control is conveniently located on upper face of unit</li> <li>• Temperature range: 34°F - 45°F</li> <li>• Convection cooling system rapidly and efficiently takes items to the set temperature</li> </ul>
<b>INTERIOR/EXTERIOR</b>	<ul style="list-style-type: none"> <li>• Black interior is illuminated with LED lighting that automatically turns off when the door is closed, or can be set to stay on for 3 hours</li> <li>• Full extension black coated wine racks allow for easy access and prevent bottles from shifting</li> <li>• Wine racks accommodate a variety of bottle shapes and sizes</li> <li>• Three adjustable tempered glass shelves with 7 height positions</li> <li>• LowE coated, argon gas filled triple thermopane glass door provides protection from harmful UV light</li> <li>• Stainless steel handle (7/8" diameter)</li> <li>• The door swing on non-lock models is field reversible, and is shipped right-hand hinged</li> <li>• Lock models must be ordered right-hand or left-hand hinged</li> </ul>
<b>INTEGRATION</b>	<ul style="list-style-type: none"> <li>• Solid natural beech wood fronts on wine racks can easily be stained to match surrounding cabinetry</li> <li>• Robust, concealed and covered hinges with built-in door stop and closer</li> <li>• Integrated model requires 3/4" custom panel of your choice, or can accept U-Line Euro Style Handleless Stainless Panel Accessory (must be ordered separately)</li> <li>• Fixed grille can accept an integrated toe-kick</li> <li>• Four independently adjustable leveling legs provide a precise undercounter fit</li> </ul>



STAINLESS FRAME



STAINLESS FRAME (LOCK)



INTEGRATED FRAME (STAINLESS HANDLELESS PANEL)\*



INTEGRATED FRAME



INTEGRATED SOLID



INTEGRATED SOLID (STAINLESS HANDLELESS PANEL)\*

**MODEL DETAILS**

Model	Voltage/Hz	Door Swing	Finish	Shipping Weight	MAP	MSRP
U-2224BEVS-00B	115 / 60	Field Reversible	Stainless Frame	156 lb	\$2,469	\$2,749
U-2224BEVS-13B	115 / 60	Right-Hand Hinged	Stainless Frame (Lock)	156 lb	\$2,539	\$2,829
U-2224BEVS-15B	115 / 60	Left-Hand Hinged	Stainless Frame (Lock)	156 lb	\$2,539	\$2,829
U-2224BEVINT-00B	115 / 60	Field Reversible	Integrated Frame	144 lb	\$2,309	\$2,569
U-2224BEVINT-60B	115 / 60	Field Reversible	Integrated Solid	132 lb	\$2,239	\$2,489

**ACCESSORIES**

Model	Description	Finish	Shipping Weight	MAP	MSRP
ULASHP24FRAME*	Stainless Handleless Panel Frame	Stainless	8 lb	\$279	\$310
ULASHP24SOLID*	Stainless Handleless Panel Solid	Stainless	12 lb	\$247	\$274

# 3036BVWC • 36" Dual-Zone Beverage Center • 3000 Series



STAINLESS FRAME



STAINLESS FRAME (LOCK)



INTEGRATED FRAME (STAINLESS HANDLELESS PANEL)\*



INTEGRATED FRAME



INTEGRATED SOLID



INTEGRATED SOLID (STAINLESS HANDLELESS PANEL)\*

<b>PERFORMANCE</b>	<ul style="list-style-type: none"> <li>• Volume of 7.0 cu ft holds up to 79 bottles (12 oz) or 123 cans (12 oz) and 31 wine bottles (750 ml)</li> <li>• Temperature range: Left: 38°F - 65°F / Right: 34°F - 70°F</li> <li>• Convection cooling system rapidly and efficiently takes items to the set temperature</li> <li>• U-Select® Control offers eight distinct modes</li> <li>• U-Select® Control with digital OLED display</li> <li>• Independently controlled dual-zones</li> <li>• Rubber mounted compressor virtually eliminates vibration</li> </ul>
<b>INTERIOR/EXTERIOR</b>	<ul style="list-style-type: none"> <li>• Black interior is illuminated with LED theater lighting that automatically turns off when the door is closed, or can be set to stay on for 3, 6, or 24 hours</li> <li>• Robust full-extension black coated wine racks allow for easy access and prevent bottles from shifting</li> <li>• Wine racks accommodate a variety of bottle shapes and sizes; the fourth and fifth racks allow for larger diameter wine and champagne bottles</li> <li>• The right compartment offers 3 adjustable tempered glass shelves with 11 height positions</li> <li>• The right compartment features a full-extension, slide-out crispener drawer that is removable for easy cleaning</li> <li>• LowE coated, argon gas filled triple thermopane glass door provides protection from harmful UV light</li> <li>• Stainless steel handle (7/8" diameter)</li> <li>• Door lock model available</li> </ul>
<b>INTEGRATION</b>	<ul style="list-style-type: none"> <li>• Robust, concealed and covered hinges with built-in door stop and closer</li> <li>• Adjustable grille can be shifted front-to-back and up-and-down</li> <li>• Grille can accept an integrated toe-kick</li> <li>• Integrated model requires 3/4" custom panel of your choice, or can accept U-Line Euro Style Handleless Stainless Panel Accessory (must be ordered separately)</li> <li>• Four independently adjustable leveling legs</li> </ul>

## MODEL DETAILS

Model	Voltage/Hz	Door Swing	Finish	Shipping Weight	MAP	MSRP
U-3036BVWCS-00B	115 / 60	Double Doors	Stainless Frame	247 lb	\$4,349	\$4,839
U-3036BVWCS-13B	115 / 60	Double Doors	Stainless Frame (Lock)	247 lb	\$4,449	\$4,949
U-3036BVWCINT-00B	115 / 60	Double Doors	Integrated Frame	230 lb	\$4,029	\$4,479
U-3036BVWCINT-60B	115 / 60	Double Doors	Integrated Solid	226 lb	\$3,899	\$4,339

## ACCESSORIES

Model	Description	Finish	Shipping Weight	MAP	MSRP
ULASHP18FRAME*	Stainless Handleless Panel Frame (single panel)	Stainless	6 lb	\$259	\$288
ULASHP18SOLID*	Stainless Handleless Panel Solid (single panel)	Stainless	9 lb	\$218	\$243

\*Installs on integrated models, 2 panels required.



Stainless Frame



Integrated Frame



Integrated Solid

**Additional Options**

- Accessory panels are designed for easy installation on Integrated models
- Stainless lock model available



Stainless Handleless Panel



Stainless Lock Model

**Key Features**

- **Industry Exclusive: Full-depth lower interior maximizes storage options**
- **Industry Leading: Variable speed compressor delivers maximum energy efficiency, faster temperature response, and quieter operation**
- Stainless steel interior
- Stainless steel cabinet, toe kick, and accents
- U-Adjust™ Interior: 17 adjustable positions
- One removable, full-extension Slide & Secure™ Bin
- One removable, full-extension stainless steel shelf
- Two removable, full-extension wine racks
- Convection cooling system provides a quick cool down and consistent temperature
- Independently controlled dual zones
- Temperature range: (upper compartment) 38°F - 65°F; (lower compartment) 33°F - 45°F
- Adjustable bright white or blue LED lighting
- Soft close door with articulating hinge
- Volume of 5.1 cu ft holds up to 14 wine bottles (750 ml) and 68 bottles (12 oz) or 72 cans (12 oz)
- Digital touch pad control with blue LED display
- Stainless steel handle (7/8" diameter)
- Integrated model requires 3/4" custom door panel and handle (not supplied by U-Line)
- Field reversible door is shipped right-hand hinged
- Built-in or freestanding
- Four adjustable leveling legs

**Model Details**

Model	Voltage/Hz	Door Swing	Finish	Shipping Weight	MAP	MSRP
UHBD524-SG01A	115 / 60	Field Reversible	Stainless Frame	153 lb	\$3,919	\$4,359
UHBD524-SG41A	115 / 60	Right-Hand Hinged	Stainless Frame (with lock)	154 lb	\$3,969	\$4,419
UHBD524-SG51A	115 / 60	Left-Hand Hinged	Stainless Frame (with lock)	154 lb	\$3,969	\$4,419
UHBD524-IG01A	115 / 60	Field Reversible	Integrated Frame	148 lb	\$3,649	\$4,059
UHBD524-IS01A	115 / 60	Field Reversible	Integrated Solid	142 lb	\$3,759	\$4,179

**Accessories**

Model	Description	Finish	Shipping Weight	MAP	MSRP
ULAGRILLE24	Adjustable Grille (Accepts Integrated Panel)	Black	3 lb	\$83	\$92
ULASHP24FRAME*	Stainless Handleless Panel Frame	Stainless	10 lb	\$281	\$312
ULASHP24SOLID*	Stainless Handleless Panel Solid	Stainless	15 lb	\$248	\$276

## HBV524 • 24" Beverage Center • 5 Class



Stainless Frame



Integrated Frame



Integrated Solid

### Additional Options

- Accessory panels are designed for easy installation on Integrated models
- Stainless lock model available



Stainless Handleless Panel



Stainless Lock Model

### Key Features

- **Industry Exclusive: Full-depth lower interior maximizes storage options**
- **Industry Leading: Variable speed compressor delivers maximum energy efficiency, faster temperature response, and quieter operation**
- Stainless steel interior
- Stainless steel cabinet, toe kick, and accents
- U-Adjust™ Interior: 19 adjustable positions
- Two removable, full-extension Slide & Secure™ Bins
- Two removable, full-extension wine racks
- Convection cooling system provides a quick cool down and consistent temperature
- Temperature range: 33°F - 70°F
- Adjustable bright white or blue LED lighting
- Soft close door with articulating hinge
- Volume of 5.2 cu ft holds up to 14 wine bottles (750 ml) and 68 bottles (12 oz) or 111 cans (12 oz)
- Digital touch pad control with blue LED display
- Stainless steel handle (7/8" diameter)
- Integrated model requires 3/4" custom door panel and handle (not supplied by U-Line)
- Field reversible door is shipped right-hand hinged
- Built-in or freestanding
- Four adjustable leveling legs

### Model Details

Model	Voltage/Hz	Door Swing	Finish	Shipping Weight	MAP	MSRP
UHBV524-SG01A	115 / 60	Field Reversible	Stainless Frame	163 lb	\$3,379	\$3,759
UHBV524-SG41A	115 / 60	Right-Hand Hinged	Stainless Frame (with lock)	163 lb	\$3,429	\$3,819
UHBV524-SG51A	115 / 60	Left-Hand Hinged	Stainless Frame (with lock)	163 lb	\$3,429	\$3,819
UHBV524-IG01A	115 / 60	Field Reversible	Integrated Frame	156 lb	\$3,329	\$3,699
UHBV524-IS01A	115 / 60	Field Reversible	Integrated Solid	139 lb	\$3,229	\$3,589

### Accessories

Model	Description	Finish	Shipping Weight	MAP	MSRP
ULAGRILLE24	Adjustable Grille (Accepts Integrated Panel)	Black	3 lb	\$88	\$98
ULASHP24FRAME*	Stainless Handleless Panel Frame	Stainless	10 lb	\$279	\$310
ULASHP24SOLID*	Stainless Handleless Panel Solid	Stainless	15 lb	\$247	\$274



Stainless Frame



Integrated Frame



Integrated Solid

### Additional Options

- Accessory panels are designed for easy installation on Integrated models
- Stainless lock model available



Stainless Handleless Panel



Stainless Lock Model

### Key Features

- **Industry Exclusive: Full-depth lower interior maximizes storage options**
- **Industry Leading: Variable speed compressor delivers maximum energy efficiency, faster temperature response, and quieter operation**
- Stainless steel interior
- Stainless steel cabinet, toe kick, and accents
- U-Adjust™ Interior: 19 adjustable positions
- Two removable, full-extension Slide & Secure™ Bins
- Two removable, full-extension wine racks
- Convection cooling system provides a quick cool down and consistent temperature
- Temperature range: 33°F - 70°F
- Adjustable bright white or blue LED lighting
- Soft close door with articulating hinge
- Volume of 3.7 cu ft holds up to 10 wine bottles (750 ml) and 45 bottles (12 oz) or 75 cans (12 oz)
- Digital touch pad control with blue LED display
- Stainless steel handle (7/8" diameter)
- Integrated model requires 3/4" custom door panel and handle (not supplied by U-Line)
- Field reversible door is shipped right-hand hinged
- Built-in or freestanding
- Four adjustable leveling legs

### Model Details

Model	Voltage/Hz	Door Swing	Finish	Shipping Weight	MAP	MSRP
UHBV518-SG01A	115 / 60	Field Reversible	Stainless Frame	128 lb	\$3,269	\$3,639
UHBV518-SG41A	115 / 60	Right-Hand Hinged	Stainless Frame (with lock)	128 lb	\$3,319	\$3,689
UHBV518-SG51A	115 / 60	Left-Hand Hinged	Stainless Frame (with lock)	128 lb	\$3,219	\$3,579
UHBV518-IG01A	115 / 60	Field Reversible	Integrated Frame	124 lb	\$3,219	\$3,579
UHBV518-IS01A	115 / 60	Field Reversible	Integrated Solid	109 lb	\$3,109	\$3,459

### Accessories

Model	Description	Finish	Shipping Weight	MAP	MSRP
ULAGRILLE18	Adjustable Grille (Accepts Integrated Panel)	Black	1.5 lb	\$76	\$85
ULASHP18FRAME*	Stainless Handleless Panel Frame	Stainless	8 lb	\$259	\$288
ULASHP18SOLID*	Stainless Handleless Panel Solid	Stainless	12 lb	\$218	\$243

## HBV515 • 15" Beverage Center • 5 Class



Stainless Frame



Integrated Frame



Integrated Solid

### Additional Options

- Accessory panels are designed for easy installation on Integrated models
- Stainless lock model available



Stainless Handleless Panel



Stainless Lock Model

### Key Features

- **Industry Exclusive: Full-depth lower interior maximizes storage options**
- **Industry Leading: Variable speed compressor delivers maximum energy efficiency, faster temperature response, and quieter operation**
- Stainless steel interior
- Stainless steel cabinet, toe kick, and accents
- U-Adjust™ Interior: 19 adjustable positions
- Two removable, full-extension Slide & Secure™ Bins
- Two removable, full-extension wine racks
- Convection cooling system provides a quick cool down and consistent temperature
- Temperature range: 33°F - 70°F
- Adjustable bright white or blue LED lighting
- Soft close door with articulating hinge
- Volume of 2.9 cu ft holds up to 8 wine bottles (750 ml) and 34 bottles (12 oz) or 54 cans (12 oz)
- Digital touch pad control with blue LED display
- Stainless steel handle (7/8" diameter)
- Integrated model requires 3/4" custom door panel and handle (not supplied by U-Line)
- Field reversible door is shipped right-hand hinged
- Built-in or freestanding
- Four adjustable leveling legs

### Model Details

Model	Voltage/Hz	Door Swing	Finish	Shipping Weight	MAP	MSRP
UHBV515-SG01A	115 / 60	Field Reversible	Stainless Frame	105 lb	\$3,159	\$3,519
UHBV515-SG41A	115 / 60	Right-Hand Hinged	Stainless Frame (with lock)	105 lb	\$3,219	\$3,579
UHBV515-SG51A	115 / 60	Left-Hand Hinged	Stainless Frame (with lock)	105 lb	\$3,219	\$3,579
UHBV515-IG01A	115 / 60	Field Reversible	Integrated Frame	103 lb	\$3,109	\$3,459
UHBV515-IS01A	115 / 60	Field Reversible	Integrated Solid	88 lb	\$3,009	\$3,349

### Accessories

Model	Description	Finish	Shipping Weight	MAP	MSRP
ULAGRILLE15	Adjustable Grille (Accepts Integrated Panel)	Black	1.5 lb	\$63	\$70
ULASHP15FRAME*	Stainless Handleless Panel Frame	Stainless	5 lb	\$226	\$252
ULASHP15SOLID*	Stainless Handleless Panel Solid	Stainless	6 lb	\$201	\$224

# Wine Refrigerators



Properly preserve your favorite varietals of wine & champagne in style. As the first North American appliance manufacturer to develop a residential wine preservation refrigerator, we understand that wine requires proper storage. Our wide range of models with advanced temperature management systems best accommodate your wine preservation requirements and personal taste—in wine, as well as décor.





Stainless Frame

### Key Features

- Convection cooling system provides a quick cool down and consistent temperature
- Extended lower interior maximizes storage options
- Black interior
- LowE coated, argon gas filled, dual thermopane glass door provides protection from harmful UV Light
- Stainless steel grille and full-wrap door
- Four fixed black wine racks
- Wine racks accommodate a variety of bottle sizes including champagne and magnum bottles
- Digital touch pad control
- Temperature range: 34°F to 60°F
- Bright white LED lighting
- Volume of 5.7 cu ft holds up to 38 wine bottles (750 ml)
- Stainless steel handle (7/8" diameter)
- Field reversible door is shipped right-hand hinged
- Built-in or freestanding
- Four adjustable leveling legs

### Model Details

Model	Voltage/Hz	Door Swing	Finish	Shipping Weight	MAP	MSRP
UHWC024-SG01A	115 / 60	Field Reversible	Stainless Frame	124 lb	\$1,499	\$1,669

### Accessories

Model	Description	Finish	Shipping Weight	MAP	MSRP
ULAFREESTANDB	Freestanding Kit	Black	3 lb	\$63	\$70



Stainless Frame



Black Frame



Integrated Frame



Integrated Solid

### Additional Options

- Stainless lock model available



Stainless Lock Model

### Key Features

- Convection cooling system provides a quick cool down and consistent temperature
- Extended lower interior maximizes storage options
- Black interior
- LowE coated, argon gas filled, dual thermopane glass door provides protection from harmful UV Light
- Stainless steel full-wrap door and handle (7/8" diameter)
- Stainless steel grille (stainless model), black metal grille (black & integrated models)
- Five, three-quarter extension, black wine racks
- Digital touch pad control
- Temperature range: 34°F to 60°F
- Bright white LED lighting
- Volume of 5.5 cu ft holds up to 48 wine bottles (750 ml)
- Field reversible door is shipped right-hand hinged
- Built-in or freestanding
- Four adjustable leveling legs

### Model Details

Model	Voltage/Hz	Door Swing	Finish	Shipping Weight	MAP	MSRP
UHWC124-SG01A	115 / 60	Field Reversible	Stainless Frame	125 lb	\$1,999	\$2,229
UHWC124-SG31A	115 / 60	Field Reversible	Stainless Frame (Lock)	125 lb	\$2,049	\$2,279
UHWC124-BG01A	115 / 60	Field Reversible	Black Frame	125 lb	\$1,999	\$2,229
UHWC124-IG01A	115 / 60	Field Reversible	Integrated Frame	115 lb	\$1,949	\$2,169
UHWC124-IS01A	115 / 60	Field Reversible	Integrated Solid	110 lb	\$1,849	\$2,059

**FEATURES & BENEFITS**



Stainless Frame



Black Frame



Integrated Frame



Integrated Solid

**Key Features**

- Convection cooling system provides a quick cool down and consistent temperature
- Black interior
- LowE coated, argon gas filled, dual thermopane glass door provides protection from harmful UV Light
- Stainless steel full-wrap door and handle (7/8" diameter)
- Stainless steel grille (stainless model), black metal grille (black & integrated models)
- Five, three-quarter extension, black wine racks
- Temperature range: 34°F to 60°F
- Digital touch pad control
- Bright white LED lighting
- Volume of 3.0 cu ft holds up to 24 wine bottles (750 ml)
- Field reversible door is shipped right-hand hinged
- Built-in or freestanding
- Four adjustable leveling legs

**Model Details**

Model	Voltage/Hz	Door Swing	Finish	Shipping Weight	MAP	MSRP
UHWC115-SG01A	115 / 60	Field Reversible	Stainless Frame	102 lb	\$1,869	\$2,079
UHWC115-BG01A	115 / 60	Field Reversible	Black Frame	102 lb	\$1,869	\$2,079
UHWC115-IG01A	115 / 60	Field Reversible	Integrated Frame	97 lb	\$1,819	\$2,029
UHWC115-IS01A	115 / 60	Field Reversible	Integrated Solid	92 lb	\$1,719	\$1,919

# 2224ZWC • 24" Dual-Zone Wine Refrigerator • 2000 Series



STAINLESS  
FRAME



STAINLESS  
FRAME (LOCK)



INTEGRATED  
FRAME (STAINLESS  
HANDLELESS  
PANEL)\*



INTEGRATED  
FRAME



INTEGRATED  
SOLID



INTEGRATED  
SOLID (STAINLESS  
HANDLELESS  
PANEL)\*

<b>PERFORMANCE</b>	<ul style="list-style-type: none"> <li>• Volume of 4.7 cu ft holds up to 43 wine bottles (750 ml)</li> <li>• Digital Touch Pad Control is conveniently located on upper face of unit</li> <li>• Temperature range: 34°F - 65°F</li> <li>• Passive cooling system</li> <li>• Rubber mounted compressor virtually eliminates vibration</li> </ul>
<b>INTERIOR/EXTERIOR</b>	<ul style="list-style-type: none"> <li>• Black interior is illuminated with LED lighting that automatically turns off when the door is closed, or can be set to stay on for 3 hours</li> <li>• Full extension black coated wine racks allow for easy access and prevent bottles from shifting</li> <li>• Wine racks accommodate a variety of bottle shapes and sizes, while the third and sixth racks allow for larger diameter wine and champagne bottles</li> <li>• LowE coated, argon gas filled triple thermopane glass door provides protection from harmful UV light</li> <li>• Stainless steel handle (7/8" diameter)</li> <li>• The door swing on non-lock models is field reversible and is shipped right-hand hinged</li> <li>• Lock models must be ordered right-hand or left-hand hinged</li> </ul>
<b>INTEGRATION</b>	<ul style="list-style-type: none"> <li>• Solid natural beech wood fronts on wine racks can easily be stained to match surrounding cabinetry</li> <li>• Robust, concealed and covered hinges with built-in door stop and closer</li> <li>• Integrated model requires 3/4" custom panel of your choice, or can accept U-Line Euro Style Handleless Stainless Panel Accessory (must be ordered separately)</li> <li>• Fixed grille can accept an integrated toe-kick</li> <li>• Four independently adjustable leveling legs provide a precise undercounter fit</li> </ul>

## MODEL DETAILS

Model	Voltage/Hz	Door Swing	Finish	Shipping Weight	MAP	MSRP
U-2224ZWCS-00B	115 / 60	Field Reversible	Stainless Frame	160 lb	\$3,539	\$3,939
U-2224ZWCS-13B	115 / 60	Right-Hand Hinged	Stainless Frame (Lock)	160 lb	\$3,599	\$3,999
U-2224ZWCS-15B	115 / 60	Left-Hand Hinged	Stainless Frame (Lock)	160 lb	\$3,599	\$3,999
U-2224ZWCINT-00B	115 / 60	Field Reversible	Integrated Frame	157 lb	\$3,279	\$3,649
U-2224ZWCINT-60B	115 / 60	Field Reversible	Integrated Solid	150 lb	\$3,169	\$3,529

## ACCESSORIES

Model	Description	Finish	Shipping Weight	MAP	MSRP
ULASHP24FRAME*	Stainless Handleless Panel Frame	Stainless	8 lb	\$279	\$310
ULASHP24SOLID*	Stainless Handleless Panel Solid	Stainless	12 lb	\$247	\$274

\*Installs on integrated models.

**FEATURES & BENEFITS**



STAINLESS FRAME



STAINLESS FRAME (LOCK)



INTEGRATED FRAME



INTEGRATED FRAME (STAINLESS HANDLELESS PANEL)\*



INTEGRATED SOLID



INTEGRATED SOLID (STAINLESS HANDLELESS PANEL)\*

<b>PERFORMANCE</b>	<ul style="list-style-type: none"> <li>• Volume of 4.7 cu ft holds up to 43 wine bottles (750 ml)</li> <li>• Digital Touch Pad Control is conveniently located on upper face of unit</li> <li>• Temperature range: 38°F - 65°F</li> <li>• Convection cooling system</li> <li>• Rubber mounted compressor virtually eliminates vibration</li> </ul>
<b>INTERIOR/EXTERIOR</b>	<ul style="list-style-type: none"> <li>• Black interior is illuminated with LED lighting that automatically turns off when the door is closed, or can be set to stay on for 3 hours</li> <li>• Full extension black coated wine racks allow for easy access</li> <li>• Wine racks accommodate a variety of bottle shapes and sizes, while fourth and fifth racks allow for larger diameter wine and champagne bottles</li> <li>• LowE coated, argon gas filled, triple thermopane glass door provides protection from harmful UV Light</li> <li>• Stainless steel handle (7/8" diameter)</li> <li>• The door swing on non-lock models is field reversible, and is shipped right-hand hinged</li> <li>• Lock models must be ordered right-hand or left-hand hinged</li> </ul>
<b>INTEGRATION</b>	<ul style="list-style-type: none"> <li>• Solid natural beech wood fronts on wine racks can easily be stained to match surrounding cabinetry</li> <li>• Robust, concealed and covered hinges with built-in door stop and closer</li> <li>• Integrated model requires 3/4" custom panel of your choice, or can accept U-Line Euro Style Handleless Stainless Panel Accessory (must be ordered separately)</li> <li>• Fixed grille can accept an integrated toe-kick</li> <li>• Four independently adjustable leveling legs provide a precise undercounter fit</li> </ul>

**MODEL DETAILS**

Model	Voltage/Hz	Door Swing	Finish	Shipping Weight	MAP	MSRP
U-2224WCS-00A	115 / 60	Field Reversible	Stainless Frame	160 lb	\$2,829	\$3,149
U-2224WCS-13A	115 / 60	Right-Hand Hinged	Stainless Frame (Lock)	160 lb	\$2,889	\$3,219
U-2224WCS-15A	115 / 60	Left-Hand Hinged	Stainless Frame (Lock)	160 lb	\$2,889	\$3,219
U-2224WCINT-00A	115 / 60	Field Reversible	Integrated Frame	157 lb	\$2,749	\$3,059
U-2224WCINT-60A	115 / 60	Field Reversible	Integrated Solid	150 lb	\$2,549	\$2,839

**ACCESSORIES**

Model	Description	Finish	Shipping Weight	MAP	MSRP
ULASHP24FRAME*	Stainless Handleless Panel Frame	Stainless	8 lb	\$279	\$310
ULASHP24SOLID*	Stainless Handleless Panel Solid	Stainless	12 lb	\$247	\$274

## 2218WC • 18" Wine Refrigerator • 2000 Series



STAINLESS  
FRAME



INTEGRATED  
FRAME

### PERFORMANCE

- Volume of 3.6 cu ft holds up to 31 wine bottles (750 ml)
- Digital Touch Pad Control is conveniently located on upper face of unit
- Temperature range: 38°F - 65°F
- Convection cooling system rapidly and efficiently takes items to the set temperature
- Rubber mounted compressor virtually eliminates vibration

### INTERIOR/EXTERIOR

- Black interior is illuminated with LED lighting that automatically turns off when the door is closed, or can be set to stay on for 3 hours
- Full extension black coated wine racks allow for easy access and prevent bottles from shifting
- Wine racks accommodate a variety of bottle shapes and sizes, while the fourth and fifth racks allow for larger diameter wine and champagne bottles
- LowE coated, argon gas filled triple thermopane glass door provides protection from harmful UV light
- Stainless steel handle (7/8" diameter)
- The door swing is field reversible and is shipped right-hand hinged

### INTEGRATION

- Solid natural beech wood fronts on wine racks can easily be stained to match surrounding cabinetry
- Robust, concealed and covered hinges with built-in door stop and closer
- Integrated model requires 3/4" custom panel of your choice, or can accept U-Line Euro Style Handleless Stainless Panel Accessory (must be ordered separately)
- Fixed grille can accept an integrated toe-kick
- Four independently adjustable leveling legs provide a precise undercounter fit

### MODEL DETAILS

Model	Voltage/Hz	Door Swing	Finish	Shipping Weight	MAP	MSRP
U-2218WCS-00B	115 / 60	Field Reversible	Stainless Frame	134 lb	\$2,809	\$3,129
U-2218WCINT-00B	115 / 60	Field Reversible	Integrated Frame	132 lb	\$2,609	\$2,899

### ACCESSORIES

Model	Description	Finish	Shipping Weight	MAP	MSRP
ULASHP18FRAME*	Stainless Handleless Panel Frame	Stainless	6 lb	\$259	\$288
ULASHP18SOLID	Stainless Handless Panel Frame	Stainless	6 lb	\$218	\$243



STAINLESS  
FRAME



STAINLESS FRAME  
(LOCK)



INTEGRATED  
FRAME (STAINLESS  
HANDLELESS PANEL)\*



INTEGRATED  
FRAME



INTEGRATED  
SOLID



INTEGRATED  
SOLID (STAINLESS  
HANDLELESS PANEL)\*

**PERFORMANCE**

- Volume of 7.0 cu ft holds up to 62 wine bottles (750 ml)
- U-Select® Control with digital OLED display
- Temperature range: 38°F - 65°F
- Convection cooling system rapidly and efficiently takes items to the set temperature
- U-Select® Control has three distinct modes:  
Sparkling Wine: 38°F - 50°F, White Wine: 45°F - 55°F,  
Red Wine: 55°F - 65°F
- Independently controlled dual-zones
- Rubber mounted compressor virtually eliminates vibration

**INTERIOR/EXTERIOR**

- Black interior is illuminated with LED theater lighting that automatically turns off when the door is closed, or can be set to stay on for 3, 6, or 24 hours
- Full extension black coated wine racks allow for easy access and prevent bottles from shifting
- Wine racks accommodate a variety of bottle shapes and sizes; the fourth and fifth racks allow for larger diameter wine and champagne bottles
- LowE coated, argon gas filled triple thermopane glass door provides protection from harmful UV light
- Stainless steel handle (7/8" diameter)
- Door lock model available

**INTEGRATION**

- Robust, concealed and covered hinges with built-in door stop and closer
- Adjustable grille can be shifted front-to-back and up-and-down
- Integrated model requires 3/4" custom panel of your choice, or can accept U-Line Euro Style Handleless Stainless Panel Accessory (must be ordered separately)
- Grille can accept an integrated toe-kick
- Four independently adjustable leveling legs

**MODEL DETAILS**

Model	Voltage/Hz	Door Swing	Finish	Shipping Weight	MAP	MSRP
U-3036WCWCS-00B	115 / 60	Double Doors	Stainless Frame	252 lb	\$4,359	\$4,849
U-3036WCWCS-13B	115 / 60	Double Doors	Stainless Frame (Lock)	252 lb	\$4,469	\$4,969
U-3036WCWCINT-00B	115 / 60	Double Doors	Integrated Frame	235 lb	\$4,059	\$4,519
U-3036WCWCINT-60B	115 / 60	Double Doors	Integrated Solid	234 lb	\$3,939	\$4,379

**ACCESSORIES**

Model	Description	Finish	Shipping Weight	MAP	MSRP
ULASHP18FRAME*	Stainless Handleless Panel Frame (single panel)	Stainless	6 lb	\$259	\$288
ULASHP18SOLID*	Stainless Handleless Panel Solid (single panel)	Stainless	9 lb	\$218	\$243

## HWD524 • 24" Dual-Zone Wine Refrigerator • 5 Class



Stainless Frame



Integrated Frame



Integrated Solid

### Additional Options

- Accessory panels are designed for easy installation on Integrated models
- Stainless lock model available



Stainless Handleless Panel



Stainless Lock Model

### Key Features

- **Industry Exclusive: Full-depth lower interior maximizes storage options**
- **Industry Leading: Variable speed compressor delivers maximum energy efficiency, faster temperature response, and quieter operation**
- Stainless steel interior
- Stainless steel cabinet, toe kick, and accents
- U-Adjust™ Interior: 17 adjustable positions
- Six removable, full-extension wine racks
- Wine racks accommodate a variety of bottle shapes and sizes and can be configured to store champagne and magnum bottles
- Convection cooling system provides a quick cool down and consistent temperature
- Independently controlled dual-zones
- Temperature range: (upper) 38°F - 65°F; (lower) 38°F - 65°F
- Adjustable bright white or blue LED lighting
- Soft close door with articulating hinge
- Volume of 5.1 cu ft holds up to 49 wine bottles (750 ml)
- Digital touch pad control with blue LED display
- Stainless steel handle (7/8" diameter)
- Integrated model requires 3/4" custom door panel and handle (not supplied by U-Line)
- Field reversible door is shipped right-hand hinged
- Built-in or freestanding
- Four adjustable leveling legs

### Model Details

Model	Voltage/Hz	Door Swing	Finish	Shipping Weight	MAP	MSRP
UHWD524-SG01A	115 / 60	Field Reversible	Stainless Frame	158 lb	\$4,069	\$4,529
UHWD524-SG41A	115 / 60	Right-Hand Hinged	Stainless Frame (with lock)	159 lb	\$4,119	\$4,579
UHWD524-SG51A	115 / 60	Left-Hand Hinged	Stainless Frame (with lock)	159 lb	\$4,119-	\$4,579
UHWD524-IG01A	115 / 60	Field Reversible	Integrated Frame	153 lb	\$4,019	\$4,469
UHWD524-IS01A	115 / 60	Field Reversible	Integrated Solid	147 lb	\$3,919	\$4,359

### Accessories

Model	Description	Finish	Shipping Weight	MAP	MSRP
ULAGRILLE24	Adjustable Grille (Accepts Integrated Panel)	Black	3 lb	\$88	\$98
ULASHP24FRAME*	Stainless Handleless Panel Frame	Stainless	10 lb	\$279	\$310
ULASHP24SOLID*	Stainless Handleless Panel Solid	Stainless	15 lb	\$248	\$276



Stainless Frame



Integrated Frame



Integrated Solid

### Additional Options

- Accessory panels are designed for easy installation on Integrated models
- Stainless lock model available



Stainless Handleless Panel



Stainless Lock Model

### Key Features

- **Industry Exclusive: Full-depth lower interior maximizes storage options**
- **Industry Leading: Variable speed compressor delivers maximum energy efficiency, faster temperature response, and quieter operation**
- Stainless steel interior
- Stainless steel cabinet, toe kick, and accents
- U-Adjust™ Interior: 19 adjustable positions
- Seven removable, full-extension wine racks
- Wine racks accommodate a variety of bottle shapes and sizes and can be configured to store champagne and magnum bottles
- Convection cooling system provides a quick cool down and consistent temperature
- Temperature range: 33°F - 70°F
- Adjustable bright white or blue LED lighting
- Soft close door with articulating hinge
- Volume of 5.2 cu ft holds up to 49 wine bottles (750 ml)
- Digital touch pad control with blue LED display
- Stainless steel handle (7/8" diameter)
- Integrated model requires 3/4" custom door panel and handle (not supplied by U-Line)
- Field reversible door is shipped right-hand hinged
- Built-in or freestanding
- Four adjustable leveling legs

### Model Details

Model	Voltage/Hz	Door Swing	Finish	Shipping Weight	MAP	Suggested List
UHWC524-SG01A	115 / 60	Field Reversible	Stainless Frame	163 lb	\$3,799	\$4,229
UHWC524-SG41A	115 / 60	Right-Hand Hinged	Stainless Frame (with lock)	163 lb	\$3,849	\$4,279
UHWC524-SG51A	115 / 60	Left-Hand Hinged	Stainless Frame (with lock)	163 lb	\$3,849	\$4,279
UHWC524-IG01A	115 / 60	Field Reversible	Integrated Frame	156 lb	\$3,749	\$4,169
UHWC524-IS01A	115 / 60	Field Reversible	Integrated Solid	139 lb	\$3,649	\$4,059

### Accessories

Model	Description	Finish	Shipping Weight	MAP	MSRP
ULAGRILLE24	Adjustable Grille (Accepts Integrated Panel)	Black	3 lb	\$88	\$98
ULASHP24FRAME*	Stainless Handleless Panel Frame	Stainless	10 lb	\$279	\$310
ULASHP24SOLID*	Stainless Handleless Panel Solid	Stainless	15 lb	\$248	\$276

## HWC518 • 18" Wine Refrigerator • 5 Class



Stainless Frame



Integrated Frame



Integrated Solid

### Additional Options

- Accessory panels are designed for easy installation on Integrated models
- Stainless lock model available



Stainless Handleless Panel



Stainless Lock Model

### Key Features

- **Industry Exclusive: Full-depth lower interior maximizes storage options**
- **Industry Leading: Variable speed compressor delivers maximum energy efficiency, faster temperature response, and quieter operation**
- Stainless steel interior
- Stainless steel cabinet, toe kick, and accents
- U-Adjust™ Interior: 19 adjustable positions
- Seven removable, full-extension wine racks
- Wine racks accommodate a variety of bottle shapes and sizes and can be configured to store champagne and magnum bottles
- Convection cooling system provides a quick cool down and consistent temperature
- Temperature range: 33°F - 70°F
- Adjustable bright white or blue LED lighting
- Soft close door with articulating hinge
- Volume of 3.7 cu ft holds up to 35 wine bottles (750 ml)
- Digital touch pad control with blue LED display
- Stainless steel handle (7/8" diameter)
- Integrated model requires 3/4" custom door panel and handle (not supplied by U-Line)
- Field reversible door is shipped right-hand hinged
- Built-in or freestanding
- Four adjustable leveling legs

### Model Details

Model	Voltage/Hz	Door Swing	Finish	Shipping Weight	MAP	MSRP
UHWC518-SG01A	115 / 60	Field Reversible	Stainless Frame	128 lb	\$3,479	\$3,869
UHWC518-SG41A	115 / 60	Right-Hand Hinged	Stainless Frame (with lock)	128 lb	\$3,539	\$3,939
UHWC518-SG51A	115 / 60	Left-Hand Hinged	Stainless Frame (with lock)	128 lb	\$3,539	\$3,939
UHWC518-IG01A	115 / 60	Field Reversible	Integrated Frame	124 lb	\$3,429	\$3,819
UHWC518-IS01A	115 / 60	Field Reversible	Integrated Solid	109 lb	\$3,329	\$3,699

### Accessories

Model	Description	Finish	Shipping Weight	MAP	MSRP
ULAGRILLE18	Adjustable Grille (Accepts Integrated Panel)	Black	1.5 lb	\$76	\$85
ULASHP18FRAME*	Stainless Handleless Panel Frame	Stainless	8 lb	\$259	\$288
ULASHP18SOLID*	Stainless Handleless Panel Solid	Stainless	12 lb	\$218	\$243



Stainless Frame



Integrated Frame



Integrated Solid

### Additional Options

- Accessory panels are designed for easy installation on Integrated models
- Stainless lock model available



Stainless Handleless Panel



Stainless Lock Model

### Key Features

- **Industry Exclusive: Full-depth lower interior maximizes storage options**
- **Industry Leading: Variable speed compressor delivers maximum energy efficiency, faster temperature response, and quieter operation**
- Stainless steel interior
- Stainless steel cabinet, toe kick, and accents
- U-Adjust™ Interior: 19 adjustable positions
- Seven removable, full-extension wine racks
- Wine racks accommodate a variety of bottle shapes and sizes and can be configured to store champagne and magnum bottles
- Convection cooling system provides a quick cool down and consistent temperature
- Temperature range: 33°F - 70°F
- Adjustable bright white or blue LED lighting
- Soft close door with articulating hinge
- Volume of 2.9 cu ft holds up to 28 wine bottles (750 ml)
- Digital touch pad control with blue LED display
- Stainless steel handle (7/8" diameter)
- Integrated model requires 3/4" custom door panel and handle (not supplied by U-Line)
- Field reversible door is shipped right-hand hinged
- Built-in or freestanding
- Four adjustable leveling legs

### Model Details

Model	Voltage/Hz	Door Swing	Finish	Shipping Weight	MAP	MSRP
UHW515-SG01A	115 / 60	Field Reversible	Stainless Frame	105 lb	\$3,379	\$3,759
UHW515-SG41A	115 / 60	Right-Hand Hinged	Stainless Frame (with lock)	105 lb	\$3,429	\$3,819
UHW515-SG51A	115 / 60	Left-Hand Hinged	Stainless Frame (with lock)	105 lb	\$3,429	\$3,819
UHW515-IG01A	115 / 60	Field Reversible	Integrated Frame	103 lb	\$3,329	\$3,699
UHW515-IS01A	115 / 60	Field Reversible	Integrated Solid	88 lb	\$3,229	\$3,589

### Accessories

Model	Description	Finish	Shipping Weight	MAP	MSRP
ULAGRILLE15	Adjustable Grille (Accepts Integrated Panel)	Black	1.5 lb	\$63	\$70
ULASHP15FRAME*	Stainless Handleless Panel Frame	Stainless	5 lb	\$226	\$252
ULASHP15SOLID*	Stainless Handleless Panel Solid	Stainless	6 lb	\$201	\$224



# Ice Machines



Crescent, Clear, and Nugget Ice Machines featuring powerful components, refined for the home. We introduced the industry's first undercounter ice maker in 1962, and today we offer the broadest collection of ice machines in the industry. We continue to work with commercial ice experts to offer restaurant quality ice machines for the home that provide the ideal balance of high ice production, quiet operation, and easy cleaning.





Stainless Solid



Integrated Solid

### Additional Options

- Accessory panels are designed for easy installation on Integrated models



Stainless Handleless Panel

### Key Features

- **Industry Exclusive: U-Choose™ feature offers five levels of ice density**
- **Industry Exclusive: Interior water dispenser**
- **Industry Exclusive: Single water filter for ice and water**
- **Industry Leading: Produces up to 90 lb of ice per day**
- **Industry Leading: Stores 30 lb of ice**
- Makes cylindrical compressed ice bits approx. 3/4" L x 1/2" H
- Eco friendly - most efficient type of specialty ice
- Adjustable bright white or blue LED lighting
- Soft close door with articulating hinge
- Black interior
- Digital touch pad control with blue LED display
- Indicator alert notifies user when cleaning is needed
- Stainless steel handle (7/8" diameter)
- Easiest nugget ice machine cleaning process in the industry
- Integrated model requires 3/4" custom door panel and handle (not supplied by U-Line)
- Field reversible door is shipped right-hand hinged
- Built-in or freestanding
- Four adjustable leveling legs
- **Factory installed drain pump model required if a below floor gravity drain is not accessible**

### Model Details

Model	Voltage/Hz	Door Swing	Pump	Finish	Shipping Weight	MAP	MSRP
UHNB315-SS01A	115 / 60	Field Reversible	-	Stainless Solid	101 lb	\$3,979	\$4,429
<b>UHNP315-SS01A</b>	115 / 60	Field Reversible	Pump Included	Stainless Solid	106 lb	\$4,299	\$4,779
UHNB315-IS01A	115 / 60	Field Reversible	-	Integrated Solid	96 lb	\$3,869	\$4,299
<b>UHNP315-IS01A</b>	115 / 60	Field Reversible	Pump Included	Integrated Solid	100 lb	\$4,189	\$4,659

### Accessories

Model	Description	Finish	Shipping Weight	MAP	MSRP
ULAMPNUGGETCLEAN-1	Nugget Ice Cleaner (Single 8 oz. bottle)	N/A	1 lb	\$14	\$16
ULAMPNUGGETFILTER-1	Replacement Water Filter (3 Class Nugget Ice)	N/A	2 lb	\$40	\$44
ULAMPWATERHOOKUP-1	Braided Water Supply Line Kit	N/A	2 lb	\$59	\$66
ULASHP15SOLID*	Stainless Handleless Panel Solid	Stainless	6 lb	\$201	\$224



Stainless Solid



Integrated Solid

### Additional Options

- Accessory panels are designed for easy installation on Integrated models



Stainless Handleless Panel

### Key Features

- Industry Exclusive: U-Choose™ feature offers five levels of ice density
- Industry Leading: Produces up to 90 lb of ice per day
- Industry Leading: Stores 30 lb of ice
- Makes cylindrical compressed ice bits approx. 3/4" L x 1/2" H
- Eco friendly - most efficient type of specialty ice
- Digital touch pad control with blue LED display
- Indicator alert notifies user when cleaning is needed
- Soft close door with articulating hinge
- Bright white LED lighting
- White interior
- Stainless steel handle (7/8" diameter)
- Easiest nugget ice machine cleaning process in the industry
- Integrated model requires 3/4" custom door panel and handle (not supplied by U-Line)
- Field reversible door is shipped right-hand hinged
- Built-in or freestanding
- Four adjustable leveling legs
- **Factory installed drain pump model required if a gravity drain is not accessible**

### Model Details

Model	Voltage/Hz	Door Swing	Pump	Finish	Shipping Weight	MAP	MSRP
UHNB115-SS01B	115 / 60	Field Reversible	-	Stainless Solid	101 lb	\$3,719	\$4,139
<b>UHNP115-SS01B</b>	115 / 60	Field Reversible	Pump Included	Stainless Solid	106 lb	\$4,039	\$4,489
UHNB115-IS01B	115 / 60	Field Reversible	-	Integrated Solid	96 lb	\$3,609	\$4,019
<b>UHNP115-IS01B</b>	115 / 60	Field Reversible	Pump Included	Integrated Solid	100 lb	\$3,929	\$4,369

### Accessories

Model	Description	Finish	Shipping Weight	MAP	MSRP
ULAMPNUGGETCLEAN-1	Nugget Ice Cleaner (Single 8 oz. bottle)	N/A	1 lb	\$14	\$16
ULAMPWATERHOOKUP-1	Braided Water Supply Line Kit	N/A	2 lb	\$59	\$66
ULASHP15SOLID*	Stainless Handleless Panel Solid	Stainless	6 lb	\$201	\$224



### Key Features

- Makes crescent shaped cubes approx. 1/2" W x 3/4" H x 2 1/4" L
- Daily ice production is approximately 4 times greater than the average household refrigerator
- White interior
- Produces and stores up to 25 lb (11 Kg) of ice per day
- Stainless steel full-wrap door and handle (7/8" diameter)
- Stainless steel grille (stainless model), black metal grille (black, white, & integrated models)
- Field reversible door is shipped right-hand hinged
- Built-in or freestanding
- Four adjustable leveling legs
- No drain required

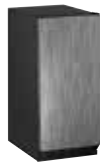
### Model Details

Model	Voltage/Hz	Door Swing	Finish	Shipping Weight	MAP	MSRP
UHCR115-SS01A	115 / 60	Field Reversible	Stainless Solid	91 lb	\$1,999	\$2,229
UHCR115-BS01A	115 / 60	Field Reversible	Black Solid	91 lb	\$1,999	\$2,229
UHCR115-WS01A	115 / 60	Field Reversible	White Solid	91 lb	\$1,999	\$2,229
UHCR115-IS01A	115 / 60	Field Reversible	Integrated Solid	87 lb	\$1,849	\$2,059

# CLR1215 • 15" Clear Ice Machine • 1000 Series



STAINLESS SOLID



INTEGRATED SOLID



BLACK SOLID



WHITE SOLID

<b>PERFORMANCE</b>	<ul style="list-style-type: none"> <li>• Daily ice production of up to 60 lbs of ice</li> <li>• Up to 30 lbs in ice storage capacity</li> <li>• Clear ice cube dimensions: 7/8" W x 7/8" H x 7/8" L</li> <li>• Clear ice cube fullness can be adjusted</li> <li>• Silent setting temporarily suspends ice making for 3 hours</li> <li>• Digital Touch Pad Control is conveniently located on face of unit</li> <li>• Indicator alert notifies user when cleaning is needed</li> <li>• Easy clean process only lasts 45 minutes</li> </ul>
<b>INTERIOR/EXTERIOR</b>	<ul style="list-style-type: none"> <li>• White interior is illuminated with LED lighting</li> <li>• Clear heavy duty ice scoop included</li> <li>• Drain required</li> <li>• <b>Factory installed drain pump model recommended if a below floor gravity drain is not accessible</b></li> <li>• Stainless steel handle (7/8" diameter)</li> <li>• Door swing is field reversible, and is shipped right hand hinged</li> </ul>
<b>INTEGRATION</b>	<ul style="list-style-type: none"> <li>• Unit is designed to be built-in or can be freestanding</li> <li>• Integrated model requires 3/4" custom door panel (panels not supplied by U-Line)</li> <li>• Four independently adjustable leveling legs provide a precise undercounter fit</li> <li>• Available in the following finishes: Stainless, Integrated, Black, or White</li> </ul>

## Model Details

Model	Voltage/Hz	Door Swing	Pump	Finish	Shipping Weight	MAP	MSRP
U-CLR1215S-00B	115 / 60	Field Reversible	-	Stainless Solid	95 lb	\$2,629	\$2,929
<b>U-CLR1215S-40B</b>	115 / 60	Field Reversible	Pump Included	Stainless Solid	101 lb	\$2,949	\$3,279
U-CLR1215INT-00B	115 / 60	Field Reversible	-	Integrated Solid	92 lb	\$2,449	\$2,729
<b>U-CLR1215INT-40B</b>	115 / 60	Field Reversible	Pump Included	Integrated Solid	98 lb	\$2,839	\$3,159
U-CLR1215B-00B	115 / 60	Field Reversible	-	Black Solid	95 lb	\$2,499	\$2,779
<b>U-CLR1215B-40B</b>	115 / 60	Field Reversible	Pump Included	Black Solid	101 lb	\$2,819	\$3,139
U-CLR1215W-00B	115 / 60	Field Reversible	-	White Solid	92 lb	\$2,499	\$2,779
<b>U-CLR1215W-40B</b>	115 / 60	Field Reversible	Pump Included	White Solid	101 lb	\$2,819	\$3,139

## Accessories

Model	Description	Finish	Shipping Weight	MAP	MSRP
ULAMPCLEARCLEAN-1	Clear Ice Machine Cleaner (1 box of 6 packets)	N/A	1 lb	\$40	\$44
ULAMPWATERHOOKUP-1	Braided Water Supply Line Kit	N/A	2 lb	\$59	\$66
ULAMPDRAINPUMP115V-1	Ice Machine Drain Pump 115 V	N/A	N/A	\$425	\$472

## 3018CLR • 18" Clear Ice Machine • 3000 Series



STAINLESS  
SOLID



INTEGRATED  
SOLID



INTEGRATED  
SOLID (STAINLESS  
HANDLELESS  
PANEL)\*

<b>PERFORMANCE</b>	<ul style="list-style-type: none"> <li>• Daily ice production of up to 60 lbs of ice</li> <li>• Up to 30 lbs in ice storage capacity</li> <li>• Clear ice cube dimensions: 7/8" W x 7/8" H x 7/8" L</li> <li>• Clear ice cube fullness can be adjusted</li> <li>• Silent mode temporarily suspends ice making for 3 hours</li> <li>• U-Select® Control with digital OLED display</li> <li>• Indicator alert notifies user when cleaning is needed</li> <li>• Easy clean process only lasts 45 minutes</li> </ul>
<b>INTERIOR/EXTERIOR</b>	<ul style="list-style-type: none"> <li>• Black interior is illuminated with LED theater lighting</li> <li>• Clear heavy duty ice scoop included</li> <li>• Drain required</li> <li>• <b>Factory installed drain pump model recommended if a below floor gravity drain is not accessible</b></li> <li>• Stainless steel handle (7/8" diameter)</li> <li>• The door swing is field reversible, and is shipped right-hand hinged</li> </ul>
<b>INTEGRATION</b>	<ul style="list-style-type: none"> <li>• Robust, concealed and covered hinges with built-in door stop and closer</li> <li>• Adjustable grille can be shifted front-to-back and up-and-down</li> <li>• Grille can accept an integrated toe-kick</li> <li>• Integrated model requires 3/4" custom panel of your choice, or can accept U-Line Euro Style Handleless Stainless Panel Accessory (must be ordered separately)</li> <li>• Four independently adjustable leveling legs</li> </ul>

### Model Details

Model	Voltage/Hz	Door Swing	Pump	Finish	Shipping Weight	MAP	MSRP
U-3018CLRS-00B	115 / 60	Field Reversible	-	Stainless Solid	118 lb	\$3,309	\$3,679
<b>U-3018CLRS-40B</b>	115 / 60	Field Reversible	Pump Included	Stainless Solid	124 lb	\$3,639	\$4,049
U-3018CLRINT-00B	115 / 60	Field Reversible	-	Integrated Solid	110 lb	\$3,089	\$3,439
<b>U-3018CLRINT-40B</b>	115 / 60	Field Reversible	Pump Included	Integrated Solid	116 lb	\$3,429	\$3,819

### Accessories

Model	Description	Finish	Shipping Weight	MAP	MSRP
ULAMPCLEARCLEAN-1	Clear Ice Machine Cleaner (1 Box of 6 Packets)	N/A	1 lb	\$40	\$44
ULASHP18SOLID*	Stainless Handleless Panel Solid	Stainless	9 lb	\$218	\$243
ULAMPWATERHOOKUP-1	Braided Water Supply Line Kit	N/A	2 lb	\$59	\$66
ULAMPDRAINPUMP115V-1	Ice Machine Drain Pump 115 V	N/A	N/A	\$425	\$472



# Refrigerators



When fresh produce, dairy, meats, pantry items, condiments, party trays, and beverages are stored at their ideal temperatures, they simply last longer. Featuring solid door, glass door, drawers, and combination refrigerator / ice or freezer units, our collection of refrigerators offers the most usable refrigeration capacity, bright and open interiors, and an array of adjustable shelving and storage bin options.





Stainless Frame



Stainless Solid



Black Solid



White Solid



Integrated Frame



Integrated Solid

### Key Features

- Convection cooling system provides a quick cool down and consistent temperature
- Extended lower interior maximizes storage options
- Black interior
- LowE coated, argon gas filled, dual thermopane glass door provides protection from harmful UV Light
- Stainless steel full-wrap door and handle (7/8" diameter)
- Stainless steel grille (stainless model), black metal grille (black, white, & integrated models)
- One slide-out black metal shelf
- Three tempered glass shelves
- Digital touch pad control
- Temperature range: 34°F to 60°F
- Bright white LED lighting
- Volume of 5.7 cu ft holds up to 123 bottles (12 oz) or 185 cans (12 oz)
- Field reversible door is shipped right-hand hinged
- Built-in or freestanding
- Four adjustable leveling legs

### Model Details

Model	Voltage/Hz	Door Swing	Finish	Shipping Weight	MAP	MSRP
UHRE124-SG01A	115 / 60	Field Reversible	Stainless Frame	120 lb	\$1,799	\$1,999
UHRE124-SS01A	115 / 60	Field Reversible	Stainless Solid	110 lb	\$1,699	\$1,889
UHRE124-BS01A	115 / 60	Field Reversible	Black Solid	110 lb	\$1,699	\$1,889
UHRE124-WS01A	115 / 60	Field Reversible	White Solid	110 lb	\$1,699	\$1,889
UHRE124-IG01A	115 / 60	Field Reversible	Integrated Frame	115 lb	\$1,749	\$1,949
UHRE124-IS01A	115 / 60	Field Reversible	Integrated Solid	105 lb	\$1,649	\$1,839

### Accessories

Model	Description	Finish	Shipping Weight	MAP	MSRP
ULAFREESTANDB	Freestanding Kit	Black	3 lb	\$63	\$70



Stainless Solid



Black Solid



Integrated Solid

### Key Features

- Convection cooling system provides a quick cool down and consistent temperature
- Black interior
- Stainless steel full-wrap door and handle (7/8" diameter)
- Stainless steel grille (stainless model), black metal grille (black & integrated models)
- Three adjustable tempered glass shelves
- Digital touch pad control
- Temperature range: 34°F to 60°F
- Bright white LED lighting
- Volume of 3.1 cu ft holds up to 57 bottles (12 oz) or 92 cans (12 oz)
- Field reversible door is shipped right-hand hinged
- Built-in or freestanding
- Four adjustable leveling legs

### Model Details

Model	Voltage/Hz	Door Swing	Finish	Shipping Weight	MAP	MSRP
UHRE115-SS01A	115 / 60	Field Reversible	Stainless Solid	87 lb	\$1,629	\$1,819
UHRE115-BS01A	115 / 60	Field Reversible	Black Solid	87 lb	\$1,629	\$1,819
UHRE115-IS01A	115 / 60	Field Reversible	Integrated Solid	81 lb	\$1,529	\$1,699

### Accessories

Model	Description	Finish	Shipping Weight	MAP	MSRP
ULAFREESTANDB	Freestanding Kit	Black	3 lb	\$63	\$70

## 2224R • 24" Solid Door Refrigerator • 2000 Series



STAINLESS  
SOLID



INTEGRATED  
SOLID



INTEGRATED  
SOLID (STAINLESS  
HANDLELESS  
PANEL)\*

<b>PERFORMANCE</b>	<ul style="list-style-type: none"> <li>• Volume of 4.9 cu ft holds up to 114 bottles (12 oz) or 172 cans (12 oz)</li> <li>• Digital Touch Pad Control is conveniently located on upper face of unit</li> <li>• Temperature range: 34°F - 45°F</li> <li>• Convection cooling system rapidly and efficiently takes items to the set temperature</li> </ul>
<b>INTERIOR/EXTERIOR</b>	<ul style="list-style-type: none"> <li>• Black interior is illuminated with LED Lighting</li> <li>• Three adjustable tempered glass shelves with 11 height positions</li> <li>• Full-extension, slide-out crisper drawer is removable for easy cleaning</li> <li>• Stainless steel handle (7/8" diameter)</li> <li>• The door swing is field reversible and is shipped right-hand hinged</li> </ul>
<b>INTEGRATION</b>	<ul style="list-style-type: none"> <li>• Robust, concealed and covered hinges with built-in door stop and closer</li> <li>• Integrated model requires 3/4" custom panel of your choice, or can accept U-Line Euro Style Handleless Stainless Panel Accessory (must be ordered separately)</li> <li>• Fixed grille can accept an integrated toe-kick</li> <li>• Four independently adjustable leveling legs provide a precise undercounter fit</li> </ul>

### Model Details

Model	Voltage/Hz	Door Swing	Finish	Shipping Weight	MAP	MSRP
U-2224RS-00B	115 / 60	Field Reversible	Stainless Solid	144 lb	\$2,419	\$2,689
U-2224RINT-00B	115 / 60	Field Reversible	Integrated Solid	132 lb	\$2,249	\$2,499

### Accessories

Model	Description	Finish	Shipping Weight	MAP	MSRP
ULASHP24SOLID*	Stainless Handleless Panel Solid	Stainless	9 lb	\$248	\$276

## 2224RGL • 24" Glass Door Refrigerator • 2000 Series



STAINLESS  
FRAME



STAINLESS  
FRAME (LOCK)



INTEGRATED  
FRAME (STAINLESS  
HANDLELESS  
PANEL)\*



INTEGRATED  
FRAME

### PERFORMANCE

- Volume of 4.9 cu ft holds up to 114 bottles (12 oz) or 172 cans (12 oz)
- Digital Touch Pad Control is conveniently located on upper face of unit
- Temperature range: 34°F - 45°F
- Convection cooling system rapidly and efficiently takes items to the set temperature

### INTERIOR/EXTERIOR

- Black interior is illuminated with LED lighting that automatically turns off when the door is closed
- Three adjustable tempered glass shelves with 11 height positions
- Full-extension, slide-out crisper drawer is removable for easy cleaning
- LowE coated, argon gas filled triple thermopane glass door provides protection from harmful UV light
- Stainless steel handle (7/8" diameter)
- The door swing on non-lock models is field reversible and is shipped right-hand hinged
- Lock models must be ordered right-hand or left-hand hinged

### INTEGRATION

- Robust, concealed and covered hinges with built-in door stop and closer
- Integrated model requires 3/4" custom panel of your choice, or can accept U-Line Euro Style Handleless Stainless Panel Accessory (must be ordered separately)
- Fixed grille can accept an integrated toe-kick
- Four independently adjustable leveling legs provide a precise undercounter fit

## Model Details

Model	Voltage/Hz	Door Swing	Finish	Shipping Weight	MAP	MSRP
U-2224RGLS-00B	115 / 60	Field Reversible	Stainless Frame	145 lb	\$2,559	\$2,849
U-2224RGLS-13B	115 / 60	Right-Hand Hinged	Stainless Frame (Lock)	145 lb	\$2,609	\$2,899
U-2224RGLS-15B	115 / 60	Left-Hand Hinged	Stainless Frame (Lock)	145 lb	\$2,609	\$2,899
U-2224RGLINT-00B	115 / 60	Field Reversible	Integrated Frame	142 lb	\$2,389	\$2,659

## Accessories

Model	Description	Finish	Shipping Weight	MAP	MSRP
ULASHP24FRAME*	Stainless Handleless Panel Frame	Stainless	8 lb	\$281	\$312

\*Installs on integrated models.

## 2218R • 18" Solid Door Refrigerator • 2000 Series



STAINLESS  
SOLID



INTEGRATED  
SOLID



INTEGRATED  
SOLID (STAINLESS  
HANDLELESS  
PANEL)\*

<b>PERFORMANCE</b>	<ul style="list-style-type: none"> <li>• Volume of 3.4 cu ft holds up to 79 bottles (12 oz) or 123 cans (12 oz)</li> <li>• Digital Touch Pad Control is conveniently located on upper face of unit</li> <li>• Temperature range: 34°F - 45°F</li> <li>• Convection cooling system rapidly and efficiently takes items to the set temperature</li> </ul>
<b>INTERIOR/EXTERIOR</b>	<ul style="list-style-type: none"> <li>• Black interior is illuminated with LED Lighting</li> <li>• Three adjustable tempered glass shelves with 11 height positions</li> <li>• Full-extension, slide-out crisper drawer is removable for easy cleaning</li> <li>• Stainless steel handle (7/8" diameter)</li> <li>• The door swing is field reversible and is shipped right-hand hinged</li> </ul>
<b>INTEGRATION</b>	<ul style="list-style-type: none"> <li>• Robust, concealed and covered hinges with built-in door stop and closer</li> <li>• Integrated model requires 3/4" custom panel of your choice, or can accept U-Line Euro Style Handleless Stainless Panel Accessory (must be ordered separately)</li> <li>• Fixed grille can accept an integrated toe-kick</li> <li>• Four independently adjustable leveling legs provide a precise undercounter fit</li> </ul>

### Model Details

Model	Voltage/Hz	Door Swing	Finish	Shipping Weight	MAP	MSRP
U-2218RS-00B	115 / 60	Field Reversible	Stainless Solid	119 lb	\$2,309	\$2,569
U-2218RINT-00B	115 / 60	Field Reversible	Integrated Solid	116 lb	\$2,149	\$2,389

### Accessories

Model	Description	Finish	Shipping Weight	MAP	MSRP
ULASHP18SOLID*	Stainless Handleless Panel Solid	Stainless	9 lb	\$218	\$243

## 2218RGL • 18" Glass Door Refrigerator • 2000 Series



STAINLESS  
FRAME



INTEGRATED  
FRAME (STAINLESS  
HANDLELESS PANEL)\*



INTEGRATED  
FRAME

### PERFORMANCE

- Volume of 3.6 cu ft holds up to 79 bottles (12 oz) or 123 cans (12 oz)
- Digital Touch Pad Control is conveniently located on upper face of unit
- Temperature range: 34°F - 45°F
- Convection cooling system rapidly and efficiently takes items to the set temperature

### INTERIOR/EXTERIOR

- Black interior is illuminated with LED lighting that automatically turns off when the door is closed
- Three adjustable tempered glass shelves with 11 height positions
- Full-extension, slide-out crisper drawer is removable for easy cleaning
- LowE coated, argon gas filled triple thermopane glass door provides protection from harmful UV light
- Stainless steel handle (7/8" diameter)
- The door swing is field reversible and is shipped right-hand hinged

### INTEGRATION

- Robust, concealed and covered hinges with built-in door stop and closer
- Integrated model requires 3/4" custom panel of your choice, or can accept U-Line Euro Style Handleless Stainless Panel Accessory (must be ordered separately)
- Fixed grille can accept an integrated toe-kick
- Four independently adjustable leveling legs provide a precise undercounter fit

### Model Details

Model	Voltage/Hz	Door Swing	Finish	Shipping Weight	MAP	MSRP
U-2218RGLS-00B	115 / 60	Field Reversible	Stainless Frame	120 lb	\$2,319	\$2,579
U-2218RGLINT-00B	115 / 60	Field Reversible	Integrated Frame	118 lb	\$2,159	\$2,399

### Accessories

Model	Description	Finish	Shipping Weight	MAP	MSRP
ULASHP18FRAME*	Stainless Handleless Panel Frame	Stainless	6 lb	\$259	\$288

\*Installs on integrated models.

# 3036RR • 36" Dual-Zone Solid Door Refrigerator • 3000 Series



STAINLESS  
SOLID



INTEGRATED  
SOLID



INTEGRATED  
SOLID (STAINLESS  
HANDLELESS  
PANEL)\*

## PERFORMANCE

- Volume of 6.9 cu ft holds up to 136 bottles (12 oz) or 208 cans (12 oz)
- Temperature range: 34°F - 70°F
- Convection cooling system rapidly and efficiently takes items to the set temperature
- U-Select® Control offers five distinct modes: Beverage: 34°F - 65°F, Deli: 34°F - 40°F, Market: 34°F - 40°F, Pantry: 34°F - 70°F, Root Cellar: 45°F - 55°F
- U-Select® Control with digital OLED display
- Independently controlled dual-zones

## INTERIOR/EXTERIOR

- Black interior is illuminated with LED theater lighting
- Three full-extension, slide-out drawers in each compartment are removable for easy cleaning
- The middle bins have two possible positions and come with a removable glass shelf to keep products stable
- The lower bins are large enough to fit 2 one-gallon containers with additional space for more storage
- Stainless steel handle (7/8" diameter)

## INTEGRATION

- Robust, concealed and covered hinges with built-in door stop and closer
- Adjustable grille can be shifted front-to-back and up-and-down
- Integrated model requires 3/4" custom panel of your choice, or can accept U-Line Euro Style Handleless Stainless Panel Accessory (must be ordered separately)
- Grille can accept an integrated toe-kick
- Four independently adjustable leveling legs

## Model Details

Model	Voltage/Hz	Door Swing	Finish	Shipping Weight	MAP	MSRP
U-3036RRS-00B	115 / 60	Double Doors	Stainless Solid	221 lb	\$4,349	\$4,839
U-3036RRINT-00B	115 / 60	Double Doors	Integrated Solid	205 lb	\$4,039	\$4,489

## Accessories

Model	Description	Finish	Shipping Weight	MAP	MSRP
ULASD18BIN	Slide And Divide 18" Bin Organizer 3k/5 Class	N/A	2 lb	\$83	\$92
ULASHP18SOLID*	Stainless Handleless Panel Solid (Single Panel)	Stainless	9 lb	\$218	\$243

# 3036RRGL • 36" Dual-Zone Glass Door Refrigerator • 3000 Series



STAINLESS  
FRAME



STAINLESS  
FRAME (LOCK)



INTEGRATED  
FRAME (STAINLESS  
HANDLELESS  
PANEL)\*



INTEGRATED  
FRAME

## PERFORMANCE

- Volume of 6.9 cu ft holds up to 158 bottles (12 oz) or 246 cans (12 oz)
- Temperature range: 34°F -70°F
- Convection cooling system rapidly and efficiently takes items to the set temperature
- U-Select® Control offers five distinct modes: Beverage: 34°F - 65°F, Deli: 34°F - 40°F, Market: 34°F - 40°F, Pantry: 34°F - 70°F, Root Cellar: 45°F - 55°F
- U-Select® Control with digital OLED display
- Independently controlled dual-zones

## INTERIOR/EXTERIOR

- Black interior is illuminated with LED theater lighting that automatically turns off when the door is closed, or can be set to stay on for 3, 6, or 24 hours
- Three adjustable tempered glass shelves with 11 height positions in each compartment
- Full-extension, slide-out crisper drawers are removable for easy cleaning
- LowE coated, argon gas filled triple thermopane glass door provides protection from harmful UV light
- Stainless steel handle (7/8" diameter)
- Door lock model available

## INTEGRATION

- Robust, concealed and covered hinges with built-in door stop and closer
- Adjustable grille can be shifted front-to-back and up-and-down
- Integrated model requires 3/4" custom panel of your choice, or can accept U-Line Euro Style Handleless Stainless Panel Accessory (must be ordered separately)
- Grille can accept an integrated toe-kick
- Four independently adjustable leveling legs

## Model Details

Model	Voltage/Hz	Door Swing	Finish	Shipping Weight	MAP	MSRP
U-3036RRGLS-00B	115 / 60	Double Doors	Stainless Frame	229 lb	\$4,349	\$4,839
U-3036RRGLS-13B	115 / 60	Double Doors	Stainless Frame (Lock)	229 lb	\$4,449	\$4,949
U-3036RRGLINT-00B	115 / 60	Double Doors	Integrated Frame	217 lb	\$4,039	\$4,489

## Accessories

Model	Description	Finish	Shipping Weight	MAP	MSRP
ULASHP18FRAME*	Stainless Handleless Panel Frame (single panel)	Stainless	6 lb	\$259	\$288



Stainless Frame



Stainless Solid



Integrated Frame



Integrated Solid

### Additional Options

- Accessory panels are designed for easy installation on Integrated models



Stainless Handleless Panel

### Key Features

- **Industry Exclusive: Full-depth lower interior maximizes storage options**
- **Industry Leading: Variable speed compressor delivers maximum energy efficiency, faster temperature response, and quieter operation**
- Stainless steel interior
- Stainless steel cabinet, toe kick, and accents
- U-Adjust™ Interior: 19 adjustable positions
- Three removable, full-extension Slide & Secure™ Bins
- Convection cooling system provides a quick cool down and consistent temperature
- Temperature range: 33°F - 70°F
- Adjustable bright white or blue LED lighting
- Soft close door with articulating hinge
- Volume of 5.2 cu ft holds up to 94 bottles (12 oz) or 148 cans (12 oz)
- Digital touch pad control with blue LED display
- Stainless steel handle (7/8" diameter)
- Integrated model requires 3/4" custom door panel and handle (not supplied by U-Line)
- Field reversible door is shipped right-hand hinged
- Built-in or freestanding
- Four adjustable leveling legs

### Model Details

Model	Voltage/Hz	Door Swing	Finish	Shipping Weight	MAP	MSRP
UHRE524-SG01A	115 / 60	Field Reversible	Stainless Frame	163 lb	\$3,379	\$3,759
UHRE524-SS01A	115 / 60	Field Reversible	Stainless Solid	148 lb	\$3,279	\$3,649
UHRE524-IG01A	115 / 60	Field Reversible	Integrated Frame	156 lb	\$3,329	\$3,699
UHRE524-IS01A	115 / 60	Field Reversible	Integrated Solid	139 lb	\$3,229	\$3,589

### Accessories

Model	Description	Finish	Shipping Weight	MAP	MSRP
ULAGRILLE24	Adjustable Grille (Accepts Integrated Panel)	Black	3 lb	\$88	\$98
ULASHP24FRAME*	Stainless Handleless Panel Frame	Stainless	10 lb	\$281	\$312
ULASHP24SOLID*	Stainless Handleless Panel Solid	Stainless	15 lb	\$248	\$276

## HRE518 • 18" Refrigerator • 5 Class



Stainless Frame



Stainless Solid



Integrated Frame



Integrated Solid

### Additional Options

- Accessory panels are designed for easy installation on Integrated models



Stainless Handleless Panel

### Key Features

- **Industry Exclusive: Full-depth lower interior maximizes storage options**
- **Industry Leading: Variable speed compressor delivers maximum energy efficiency, faster temperature response, and quieter operation**
- Stainless steel interior
- Stainless steel cabinet, toe kick, and accents
- U-Adjust™ Interior: 19 adjustable positions
- Three removable, full-extension Slide & Secure™ Bins
- Convection cooling system provides a quick cool down and consistent temperature
- Temperature range: 33°F - 70°F
- Adjustable bright white or blue LED lighting
- Soft close door with articulating hinge
- Volume of 3.7 cu ft holds up to 61 bottles (12 oz) or 100 cans (12 oz)
- Digital touch pad control with blue LED display
- Stainless steel handle (7/8" diameter)
- Integrated model requires 3/4" custom door panel and handle (not supplied by U-Line)
- Field reversible door is shipped right-hand hinged
- Built-in or freestanding
- Four adjustable leveling legs

### Model Details

Model	Voltage/Hz	Door Swing	Finish	Shipping Weight	MAP	MSRP
UHRE518-SG01A	115 / 60	Field Reversible	Stainless Frame	128 lb	\$3,269	\$3,639
UHRE518-SS01A	115 / 60	Field Reversible	Stainless Solid	115 lb	\$3,219	\$3,579
UHRE518-IG01A	115 / 60	Field Reversible	Integrated Frame	124 lb	\$3,219	\$3,579
UHRE518-IS01A	115 / 60	Field Reversible	Integrated Solid	109 lb	\$3,109	\$3,459

### Accessories

Model	Description	Finish	Shipping Weight	MAP	MSRP
ULAGRILLE18	Adjustable Grille (Accepts Integrated Panel)	Black	1.5 lb	\$76	\$85
ULASHP18FRAME*	Stainless Handleless Panel Frame	Stainless	8 lb	\$259	\$288
ULASHP18SOLID*	Stainless Handleless Panel Solid	Stainless	12 lb	\$218	\$243



Stainless Frame



Stainless Solid



Integrated Frame



Integrated Solid

### Additional Options

- Accessory panels are designed for easy installation on Integrated models



Stainless Handleless Panel

### Key Features

- **Industry Exclusive: Full-depth lower interior maximizes storage options**
- **Industry Leading: Variable speed compressor delivers maximum energy efficiency, faster temperature response, and quieter operation**
- Stainless steel interior
- Stainless steel cabinet, toe kick, and accents
- U-Adjust™ Interior: 19 adjustable positions
- Three removable, full-extension Slide & Secure™ Bins
- Convection cooling system provides a quick cool down and consistent temperature
- Temperature range: 33°F - 70°F
- Adjustable bright white or blue LED lighting
- Soft close door with articulating hinge
- Volume of 2.9 cu ft holds up to 47 bottles (12 oz) or 72 cans (12 oz)
- Digital touch pad control with blue LED display
- Stainless steel handle (7/8" diameter)
- Integrated model requires 3/4" custom door panel and handle (not supplied by U-Line)
- Field reversible door is shipped right-hand hinged
- Built-in or freestanding
- Four adjustable leveling legs

### Model Details

Model	Voltage/Hz	Door Swing	Finish	Shipping Weight	MAP	MSRP
UHRE515-SG01A	115 / 60	Field Reversible	Stainless Frame	105 lb	\$3,159	\$3,519
UHRE515-SS01A	115 / 60	Field Reversible	Stainless Solid	92 lb	\$3,059	\$3,399
UHRE515-IG01A	115 / 60	Field Reversible	Integrated Frame	103 lb	\$3,109	\$3,459
UHRE515-IS01A	115 / 60	Field Reversible	Integrated Solid	88 lb	\$3,009	\$3,349

### Accessories

Model	Description	Finish	Shipping Weight	MAP	MSRP
ULAGRILLE15	Adjustable Grille (Accepts Integrated Panel)	Black	1.5 lb	\$63	\$70
ULASHP15FRAME*	Stainless Handleless Panel Frame	Stainless	5 lb	\$226	\$252
ULASHP15SOLID*	Stainless Handleless Panel Solid	Stainless	6 lb	\$201	\$224



Stainless Solid



Integrated Solid

### Key Features

- Convection cooling system provides a quick cool down and consistent temperature
- The lower drawer is large enough to fit 2 one-gallon containers with additional space for more storage
- Equipped with 2 full-extension stainless drawers
- Stainless steel full-wrap drawers and handles (7/8" diameter)
- Stainless steel grille (stainless model), black metal grille (integrated model)
- Digital touch pad control
- Temperature range: 34°F to 60°F
- Bright white LED lighting
- Volume of 5.2 cu ft holds up to 98 bottles (12 oz) or 150 cans (12 oz)
- Built-in or freestanding
- Four adjustable leveling legs

### Model Details

Model	Voltage/Hz	Door Swing	Finish	Shipping Weight	MAP	MSRP
UHDR124-SS61A	115 / 60	Field Reversible	Stainless Solid	142 lb	\$2,899	\$3,229
UHDR124-IS61A	115 / 60	Field Reversible	Integrated Solid	134 lb	\$2,799	\$3,119

### Accessories

Model	Description	Finish	Shipping Weight	MAP	MSRP
ULAFREESTANDB	Freestanding Kit	Black	3 lb	\$60	\$70

## 2224DWR • 24" Refrigerator Drawers • 2000 Series



STAINLESS  
SOLID



INTEGRATED  
SOLID



INTEGRATED SOLID  
(STAINLESS  
HANDLELESS  
PANEL)\*

### PERFORMANCE

- Volume of 4.9 cu ft holds up to 90 bottles (12 oz) or 142 cans (12 oz)
- Digital Touch Pad Control is conveniently located on upper face of unit
- Temperature range: 34°F - 45°F
- Single zone convection cooling system rapidly and efficiently takes items to the set temperature

### INTERIOR/EXTERIOR

- Black interior is illuminated with LED lighting
- Equipped with 2 full-extension robust stainless drawers
- Standard commercial stainless steel handle is interchangeable with professional handle accessory
- The lower drawer is large enough to fit 2 one-gallon containers with additional space for more storage

### INTEGRATION

- Integrated model requires 3/4" custom panel of your choice, or can accept U-Line Euro Style Handleless Stainless Panel Accessory (must be ordered separately)
- Fixed grille can accept a custom integrated toe-kick
- Four independently adjustable leveling legs provide a precise undercounter fit

## Model Details

Model	Voltage/Hz	Door Swing	Finish	Shipping Weight	MAP	MSRP
U-2224DWRS-00A	115 / 60	Drawers	Stainless Solid	166 lb	\$3,459	\$3,849
U-2224DWRINT-00A	115 / 60	Drawers	Integrated Solid	158 lb	\$3,229	\$3,589

## Accessories

Model	Description	Finish	Shipping Weight	MAP	MSRP
ULASHP24DWR*	Stainless Handleless Panel Solid (2 panels)	Stainless	14 lb	\$407	\$453
ULASD24DWR	Slide and Divide 24" Bin Organizer	N/A	2 lb	\$83	\$92

## 1224RF • 24" Refrigerator / Freezer • 1000 Series



STAINLESS  
SOLID



INTEGRATED  
SOLID



BLACK  
SOLID



WHITE  
SOLID

### PERFORMANCE

- Refrigerator volume of 4.2 cu ft holds up to 61 bottles (12 oz) or 114 cans (12 oz)
- Freezer volume of 1.5 cu ft
- Digital Touch Pad Control is conveniently located on upper face of unit
- Refrigerator temperature range: 34°F - 45°F
- Frost Free Freezer maintains a temperature range of 0°F - 5°F
- Passive cooling system

### INTERIOR/EXTERIOR

- White interior is illuminated with LED lighting
- Three removable tempered glass shelves
- Stainless steel handle (7/8" diameter)
- Door swing is field reversible, and is shipped right-hand hinged

### INTEGRATION

- Unit is designed to be built-in or can be freestanding with the freestanding accessory kit
- Integrated model requires 3/4" custom door panel (panels not supplied by U-Line)
- Four independently adjustable leveling legs provide a precise undercounter fit
- Available in the following finishes: Stainless, Integrated, Black, or White

## Model Details

Model	Voltage/Hz	Door Swing	Finish	Shipping Weight	MAP	MSRP
UHRF124-SS01A*	115 / 60	Field Reversible	Stainless Solid	123 lb	\$2,149	\$2,389
UHRF124-IS01A*	115 / 60	Field Reversible	Integrated Solid	120 lb	\$1,999	\$2,229
UHRF124-BS01A*	115 / 60	Field Reversible	Black Solid	123 lb	\$2,149	\$2,389
UHRF124-WS01A*	115 / 60	Field Reversible	White Solid	123 lb	\$2,149	\$2,389

\* Models Coming Soon

## Accessories

Model	Description	Finish	Shipping Weight	MAP	MSRP
ULAFREESTANDB	Freestanding Kit	Black	3 lb	\$58	\$64



STAINLESS SOLID



INTEGRATED SOLID



BLACK SOLID



WHITE SOLID

<b>PERFORMANCE</b>	<ul style="list-style-type: none"> <li>• Volume of 4.2 cu ft holds up to 61 bottles (12 oz) or 114 cans (12 oz)</li> <li>• Digital Touch Pad Control is conveniently located on upper face of unit</li> <li>• Refrigerator temperature range: 34°F - 45°F</li> <li>• Passive cooling system</li> <li>• Produces and stores up to 8 lbs of ice per day</li> <li>• Crescent ice cube dimensions: 1/2" W x 3/4" H x 2 1/4" L</li> <li>• Patented frost-free technology</li> </ul>
<b>INTERIOR/EXTERIOR</b>	<ul style="list-style-type: none"> <li>• White interior is illuminated with LED lighting</li> <li>• Three removable tempered glass shelves</li> <li>• Stainless steel handle (7/8" diameter)</li> <li>• No drain required</li> <li>• Door swing is field reversible, and is shipped right-hand hinged</li> </ul>
<b>INTEGRATION</b>	<ul style="list-style-type: none"> <li>• Unit is designed to be built-in or can be freestanding with the freestanding accessory kit</li> <li>• Integrated model requires 3/4" custom door panel (panels not supplied by U-Line)</li> <li>• Four independently adjustable leveling legs provide a precise undercounter fit</li> <li>• Available in the following finishes: Stainless, Integrated, Black, or White</li> </ul>

### Model Details

Model	Voltage/Hz	Door Swing	Finish	Shipping Weight	MAP	MSRP
UHRI124-SS01A*	115 / 60	Field Reversible	Stainless Solid	129 lb	\$2,229	\$2,479
UHRI124-IS01A*	115 / 60	Field Reversible	Integrated Solid	126 lb	\$2,149	\$2,389
UHRI124-BS01A*	115 / 60	Field Reversible	Black Solid	129 lb	\$2,229	\$2,479
UHRI124-WS01A*	115 / 60	Field Reversible	White Solid	129 lb	\$2,229	\$2,479

\* Models coming soon

### Accessories

Model	Description	Finish	Shipping Weight	MAP	MSRP
ULAFREESTANDB	Freestanding Kit	Black	3 lb	\$58	\$64
ULAMPWATERHOOKUP-1	Braided Water Supply Line Kit	N/A	2 lb	\$59	\$66



# Convertible Freezers

Store frosty treats, smoothie ingredients, meals, and meats where you need them most. Our frost-free freezers provide consumers and designers alike with premium performance and the ability to install in a variety of applications. Love having extra freezer space for summer popsicles but lack refrigerator space during the holidays? Our Convertible Freezers can switch from freezer to refrigerator with the touch of a button.





Stainless Solid



Integrated Solid

### Key Features

- Convection cooling system provides a quick cool down and consistent temperature
- Converts to a refrigerator with the touch of a button
- White interior
- Three full-extension chrome plated slide-out baskets
- Stainless steel full-wrap door and handle (7/8" diameter)
- Stainless steel grille (stainless model), black metal grille (integrated model)
- Digital touch pad control
- Refrigerator temperature range: 34°F to 45°F
- Freezer temperature range: -5°F - 5°F
- Bright white LED lighting
- Volume of 4.8 cu ft
- Field reversible door is shipped right-hand hinged
- Built-in or freestanding
- Four adjustable leveling legs

### Model Details

Model	Voltage/Hz	Door Swing	Finish	Shipping Weight	MAP	MSRP
UHFZ124-SS01A	115 / 60	Field Reversible	Stainless Solid	125 lb	\$2,399	\$2,669
UHFZ124-IS01A	115 / 60	Field Reversible	Integrated Solid	122 lb	\$2,299	\$2,559

### Accessories

Model	Description	Finish	Shipping Weight	MAP	MSRP
ULAFREESTANDB	Freestanding Kit	Black	3 lb	\$63	\$70

# Dispensers

Coffee shop quality, on demand. Smooth and refreshing nitro-brew coffee and still cold-brew coffee, on tap – in your home. Our Nitro-Infused Cold Coffee Dispensers feature JoeTap patent-pending technology trusted by America's largest coffee chain. Simply fill the keg with your favorite cold coffee or tea and enjoy!



## HDE215 • 15" Nitro Infused Cold Coffee • Dispensers



### Coffee Shop Quality at Home

Enjoy creamy nitrogen-infused coffee and refreshing still cold-brew coffee on demand. Nitrogen-infused coffee delivers the ultimate experience by infusing thousands of micro-nitrogen bubbles as the coffee is dispensed. This creates a natural slightly sweet taste and thicker and smoother texture.

Simply fill the keg with your favorite cold coffee or tea.

### Key Features

- Dispenses still cold-brew and nitro-infused coffee
- Includes: refrigeration cabinet, dispensing tower with two tap heads, one 2.5 gallon coffee keg, nitrogen regulator, tubing and hardware, black tap handles, drip tray
- Convection cooling system provides a quick cool down and consistent temperature
- Temperature range: 34°F - 60°F
- Full-depth lower interior
- Volume of 3.6 cu ft holds two 2.5, 3, or 5 gallon coffee kegs and nitrogen tank
- Stainless steel cabinet, grille, and full-wrap door
- Black interior
- Removable lower interior stainless steel liner
- Digital touch pad control with blue LED display
- Stainless steel handle (7/8" diameter)
- Field reversible door is shipped right-hand hinged
- Built-in or freestanding
- Four adjustable leveling legs

### Model Details

Model	Voltage/Hz	Door Swing	Finish	Shipping Weight	MAP	MSRP
UHDE215-SS03A	115 / 60	Field Reversible	Stainless Solid	80 lb	\$3,199	\$3,559

### Accessories

Model	Description	Finish	Shipping Weight	MAP	MSRP
ULANITROTANK	22 cu ft Aluminum Nitro Tank	N/A	10 lb	\$176	\$196
ULACOFFEEKEG	2.5 gal Coffee Keg	N/A	6 lb	\$152	\$169
ULACASTERS	Set of 4 Casters	N/A	6 lb	\$100	\$111
ULACOFFEECLEAN	Coffee Dispenser Cleaner (1 Box of 5 Packets)	N/A	1 lb	\$19	\$21

# Outdoor Collection



Entertain in the open air. Serve signature beverages over ice, pour freshly tapped beer, and store chilled ingredients in your prep area ready for grilling. With robust stainless steel components & accents, our new collection of outdoor products provide best-in-class performance and showcase clean, modern designs fit for the outdoors.





Stainless Solid

## Key Features

- **Industry Leading: Produces up to 90 lb of ice per day**
- **Industry Leading: Stores 30 lb of ice**
- Eco friendly - most efficient type of specialty ice
- Makes cylindrical compressed ice bits approx. 3/4" L x 1/2" H
- Digital touch pad control with blue LED display
- Indicator alert notifies user when cleaning is needed
- Bright white LED lighting
- White interior
- Stainless steel cabinet, toe-kick, and full-wrap door
- Stainless steel handle (7/8" diameter)
- Easiest nugget ice machine cleaning process in the industry
- Field reversible door is shipped right-hand hinged
- Built-in or freestanding
- Four adjustable leveling legs
- **Factory installed drain pump model required if a below floor gravity drain is not accessible**

## Model Details

Model	Voltage/Hz	Door Swing	Pump	Finish	Shipping Weight	MAP	MSRP
UONB115-SS01B	115 / 60	Field Reversible	-	Stainless Solid	96 lb	\$3,979	\$4,429
UONP115-SS01B	115 / 60	Field Reversible	Pump Included	Stainless Solid	101 lb	\$4,299	\$4,779

## Accessories

Model	Description	Finish	Shipping Weight	Dealer	Suggested List
ULAMPNUGGETCLEAN-1	Nugget Ice Cleaner (Single 8 oz. bottle)	N/A	1 lb	\$14	\$16
ULAMPWATERHOOKUP-1	Braided Water Supply Line Kit	N/A	2 lb	\$59	\$66

## OCL115 / OCP115 • 15" Clear Ice Machine • Outdoor Collection



Stainless Solid

### Key Features

- Makes clear cubes approx. 7/8" W x 7/8" H x 7/8" L
- Produces up to 60 lb of ice per day
- Stores up to 30 lb of ice
- Digital touch pad control with blue LED display
- U-Choose™ feature offers five levels of ice fullness
- Silent setting temporarily suspends ice making for 3 hours
- Indicator alert notifies user when cleaning is needed
- Easiest clear ice machine cleaning process in the industry
- Bright white LED lighting
- White interior
- Stainless steel cabinet, toe-kick, and full-wrap door
- Stainless steel handle (7/8" diameter)
- Field reversible door is shipped right-hand hinged
- Built-in or freestanding
- Four adjustable leveling legs
- Factory installed drain pump model recommended if a gravity drain is not accessible

### Model Details

Model	Voltage/Hz	Door Swing	Pump	Finish	Shipping Weight	MAP	MSRP
UOCL115-SS01A	115 / 60	Field Reversible	-	Stainless Solid	96 lb	\$2,989	\$3,329
UOCP115-SS01A	115 / 60	Field Reversible	Pump Included	Stainless Solid	101 lb	\$3,299	\$3,669

### Accessories

Model	Description	Finish	Shipping Weight	MAP	MSRP
ULAMPCLEARCLEAN-1	Clear Ice Machine Cleaner (1 box of 6 packets)	N/A	1 lb	\$40	\$44
ULAMPWATERHOOKUP-1	Braided Water Supply Line Kit	N/A	2 lb	\$59	\$66



Stainless Solid

### Key Features

- Makes crescent shaped cubes approx. 1/2" W x 3/4" H x 2 1/4" L
- Produces up to 25 lb of ice per day
- Stores up to 25 lb of ice
- On/Off switch is located on lower face of unit
- Stainless steel cabinet, toe-kick, and full-wrap door
- Stainless steel handle (7/8" diameter)
- Field reversible door is shipped right-hand hinged
- Built-in or freestanding
- Four adjustable leveling legs
- No drain required

### Model Details

Model	Voltage/Hz	Door Swing	Finish	Shipping Weight	MAP	MSRP
UOCR115-SS01A	115 / 60	Field Reversible	Stainless Solid	89 lb	\$2,319	\$2,579

### Accessories

Model	Description	Finish	Shipping Weight	MAP	MSRP
ULAMPWATERHOOKUP-1	Braided Water Supply Line Kit	N/A	2 lb	\$59	\$66

**ORE115 • 15" Refrigerator • Outdoor Collection**



Stainless Solid

**Additional Options**

- Stainless lock model available



Stainless Lock Model

**Key Features**

- Convection cooling system provides a quick cool down and consistent temperature
- Digital touch pad control with blue LED display
- Stainless steel cabinet, toe-kick, and full-wrap door
- Volume of 3.1 cu ft holds up to 61 bottles (12 oz) or 100 cans (12 oz)
- Temperature range: 34°F - 60°F
- Bright white LED lighting
- White interior
- Three adjustable tempered glass shelves
- Stainless steel handle (7/8" diameter)
- Field reversible door is shipped right-hand hinged
- Built-in or freestanding
- Four adjustable leveling legs
- Door lock model available

**Model Details**

Model	Voltage/Hz	Door Swing	Finish	Shipping Weight	MAP	MSRP
UORE115-SS01A	115 / 60	Field Reversible	Stainless Solid	83 lb	\$2,229	\$2,479
UORE115-SS31A	115 / 60	Field Reversible	Stainless Solid (Lock)	83 lb	\$2,279	\$2,539

**Accessories**

Model	Description	Finish	Shipping Weight	MAP	MSRP
ULAFREESTANDB	Freestanding Kit	Black	3 lb	\$63	\$70



Stainless Solid

### Additional Options

- Stainless lock model available



### Key Features

- Convection cooling system provides a quick cool down and consistent temperature
- Extended lower interior maximizes storage options
- Digital touch pad control with blue LED display
- Stainless steel cabinet, toe-kick, and full-wrap door
- Volume of 5.4 cu ft holds up to 117 bottles (12 oz) or 194 cans (12 oz)
- Temperature range: 34°F - 60°F
- Bright white LED lighting
- White interior
- Three adjustable tempered glass shelves
- Stainless steel handle (7/8" diameter)
- Field reversible door is shipped right-hand hinged
- Built-in or freestanding
- Four adjustable leveling legs
- Door lock model available

### Model Details

Model	Voltage/Hz	Door Swing	Finish	Shipping Weight	MAP	MSRP
UORE124-SS01A	115 / 60	Field Reversible	Stainless Solid	109 lb	\$2,349	\$2,619
UORE124-SS31A	115 / 60	Field Reversible	Stainless Solid (Lock)	109 lb	\$2,399	\$2,669

### Accessories

Model	Description	Finish	Shipping Weight	MAP	MSRP
ULAFREESTANDS	Freestanding Kit	Stainless	3 lb	\$63	\$70

**ODR124 • 24" Refrigerator Drawers • Outdoor Collection**



Stainless Solid

**Key Features**

- Convection cooling system provides a quick cool down and consistent temperature
- Digital touch pad control with blue LED display
- Stainless steel cabinet, toe-kick, and drawer fronts
- Volume of 5.4 cu ft holds up to 98 bottles (12 oz) or 150 cans (12 oz)
- Temperature range: 34°F - 60°F
- Bright white LED lighting
- Two full-extension stainless steel drawers
- Stainless steel handles (7/8" diameter)
- Built-in or freestanding
- Four adjustable leveling legs

**Model Details**

Model	Voltage/Hz	Door Swing	Finish	Shipping Weight	MAP	MSRP
UODR124-SS61A	115 / 60	N/A	Stainless Solid	142 lb	\$3,379	\$3,759

**Accessories**

Model	Description	Finish	Shipping Weight	MAP	MSSRP
ULAFREESTANDS	Freestanding Kit	Stainless	3 lb	\$63	\$70



Single Tap Accessory



Double Tap Accessory

### Key Features

- Convection cooling system provides a quick cool down and consistent temperature
- Digital Touch Pad Control with blue LED display
- Stainless steel cabinet, toe-kick, and full-wrap door
- Volume of 5.5 cu ft can fit up to one 1/4 slim barrel and one 1/6 barrel or one standard 1/4 barrel
- Holds up to 111 bottles (12 oz) or 165 cans (12 oz)
- Temperature range: 34°F - 60°F
- Bright white LED lighting
- White interior
- Removable lower interior stainless steel liner
- Two adjustable chrome plated wire shelves
- Stainless steel handle (7/8" diameter)
- Field reversible door is shipped right-hand hinged
- Built-in or freestanding
- Four adjustable leveling legs
- Accessory Tap Tower Kits include: Low profile tap head(s), CO2 tank and regulator, tubing and clamps, mounting hardware, black tap handle(s), drip tray, and cleaning kit

### Model Details

Model	Voltage/Hz	Door Swing	Finish	Shipping Weight	MAP	MSRP
UOKR124-SS01A	115 / 60	Field Reversible	Stainless Solid	117 lb	\$2,449	\$2,729

### Accessories

Model	Description	Finish	Shipping Weight	MAP	MSRP
ULAFREESTANDS	Freestanding Kit	Stainless	3 lb	\$63	\$70
ULATAP SINGLE	Single Tap Tower Kit	Stainless	20 lb	\$647	\$720
ULATAP DOUBLE	Double Tap Tower Kit	Stainless	24 lb	\$848	\$944

**OFZ124 • 24" Convertible Freezer • Outdoor Collection**



Stainless Solid

**Key Features**

- Converts to a refrigerator with the touch of a button
- Convection cooling system provides a quick cool down and consistent temperature
- Digital touch pad control with blue LED display
- Stainless steel cabinet, toe-kick, and full-wrap door
- Volume of 4.9 cu ft
- Freezer temperature range: -5°F - 5°F
- Refrigerator temperature range: 33°F - 70°F
- Bright white LED lighting
- Three full-extension chrome plated slide-out baskets
- Stainless steel handle (7/8" diameter)
- Field reversible door is shipped right-hand hinged
- Built-in or freestanding
- Four adjustable leveling legs

**Model Details**

Model	Voltage/Hz	Door Swing	Finish	Shipping Weight	MAP	MSRP
UOFZ124-SS01A	115 / 60	Field Reversible	Stainless Solid	125 lb	\$2,599	\$2,889

**Accessories**

Model	Description	Finish	Shipping Weight	MAP	MSRP
ULAFREESTANDS	Freestanding Kit	Stainless	3 lb	\$63	\$70

# ADA Collection



Modern ice and refrigeration solutions for installations under 34" countertops. Our wide collection of ADA height compliant products are easily accessible and allow for single-hand operation. Perfect for offices, break rooms, hotels, and kitchens requiring appliances no higher than 32".





Stainless Solid

### Key Features

- **Industry Exclusive: U-Choose™ feature offers five levels of ice density**
- **Industry Leading: Produces up to 90 lb of ice per day**
- **Industry Leading: Stores 30 lb of ice**
- Eco friendly - most efficient type of specialty ice
- Makes cylindrical compressed ice bits approx. 3/4" L x 1/2" H
- Digital touch pad control with blue LED display
- Indicator alert notifies user when cleaning is needed
- Bright white LED lighting
- White interior
- Stainless steel handle (7/8" diameter)
- Easiest nugget ice machine cleaning process in the industry
- Field reversible door is shipped right-hand hinged
- Built-in or freestanding
- Four adjustable leveling legs
- **Factory installed drain pump model required if a below floor gravity drain is not accessible**

### Model Details

Model	Voltage/Hz	Door Swing	Pump	Finish	Shipping Weight	MAP	MSRP
UANB115-SS01A	115 / 60	Field Reversible	-	Stainless Solid	90 lb	\$3,499	\$3,889
UANP115-SS01A	115 / 60	Field Reversible	Pump Included	Stainless Solid	95 lb	\$3,779	\$4,229

### Accessories

Model	Description	Finish	Shipping Weight	MAP	MSRP
ULAMPNUGGETCLEAN-1	Nugget Ice Cleaner (Single 8 oz. bottle)	N/A	1 lb	\$14	\$16
ULAMPWATERHOOKUP-1	Braided Water Supply Line Kit	N/A	2 lb	\$59	\$66

**ADA15IM • 15" Crescent Ice Maker • ADA Collection**



STAINLESS SOLID



BLACK SOLID

<b>PERFORMANCE</b>	<ul style="list-style-type: none"> <li>• Uses less than 3 gallons of water to produce up to 25 lbs of ice per day</li> <li>• Up to 25 lbs in ice storage capacity</li> <li>• Daily ice production rate is approx. 4 times greater than the average household refrigerator</li> <li>• Crescent ice cube dimensions: 1/2" W x 3/4" H x 2 1/4" L</li> <li>• On/Off switch is conveniently located on lower face of unit</li> </ul>
<b>INTERIOR/EXTERIOR</b>	<ul style="list-style-type: none"> <li>• No drain required</li> <li>• Stainless steel handle (7/8" diameter)</li> <li>• Door swing is field reversible, and is shipped right-hand hinged</li> </ul>
<b>INTEGRATION</b>	<ul style="list-style-type: none"> <li>• Unit is designed to be built-in or can be freestanding</li> <li>• Four independently adjustable leveling legs provide a precise undercounter fit</li> <li>• Available in the following finishes: Stainless or Black</li> </ul>

**Model Details**

Model	Voltage/Hz	Door Swing	Finish	Shipping Weight	MAP	MSRP
U-ADA15IMS-00B	115 / 60	Field Reversible	Stainless Solid	90 lb	\$2,259	\$2,519
U-ADA15IMB-00B	115 / 60	Field Reversible	Black Solid	90 lb	\$2,149	\$2,389

**Accessories**

Model	Description	Finish	Shipping Weight	MAP	MSRP
ULAMPWATERHOOKUP-1	Braided Water Supply Line Kit	N/A	2 lb	\$59	\$66

**FEATURES & BENEFITS**



BLACK SOLID



WHITE SOLID

<b>PERFORMANCE</b>	<ul style="list-style-type: none"> <li>• Uses less than 3 gallons of water to produce up to 25 lbs of ice per day</li> <li>• Up to 25 lbs in ice storage capacity</li> <li>• Daily ice production rate is approx. 4 times greater than the average household refrigerator</li> <li>• Crescent ice cube dimensions: 1/2" W x 3/4" H x 2 1/4" L</li> <li>• On/Off switch is conveniently located on the grille</li> </ul>
<b>INTERIOR/EXTERIOR</b>	<ul style="list-style-type: none"> <li>• No drain required</li> <li>• Door swing is field reversible, and is shipped right-hand hinged</li> </ul>
<b>INTEGRATION</b>	<ul style="list-style-type: none"> <li>• Unit is designed to be built-in or can be freestanding</li> <li>• Accepts a 1/4" custom insert panel</li> <li>• Available in the following finishes: Black or White</li> </ul>

**Model Details**

Model	Voltage/Hz	Door Swing	Finish	Shipping Weight	MAP	MSRP
U-BI98B-00A	115 / 60	Field Reversible	Black Solid	73 lb	\$1,329	\$1,479
U-BI98W-00A	115 / 60	Field Reversible	White Solid	73 lb	\$1,329	\$1,479

**Accessories**

Model	Description	Finish	Shipping Weight	MAP	MSRP
ULAMPWATERHOOKUP-1	Braided Water Supply Line Kit	N/A	2 lb	\$59	\$66

## BI95 • 14" Crescent Ice Maker • ADA Collection



BLACK  
SOLID



WHITE  
SOLID

<b>PERFORMANCE</b>	<ul style="list-style-type: none"> <li>• Uses less than 3 gallons of water to produce up to 23 lbs of ice per day</li> <li>• Up to 12 lbs in ice storage capacity</li> <li>• Daily ice production rate is approx. 4 times greater than the average household refrigerator</li> <li>• Crescent ice cube dimensions: 1/2" W x 3/4" H x 2 1/4" L</li> <li>• On/Off switch is conveniently located on the grille</li> </ul>
<b>INTERIOR/EXTERIOR</b>	<ul style="list-style-type: none"> <li>• No drain required</li> <li>• Door swing is field reversible, and is shipped right-hand hinged</li> </ul>
<b>INTEGRATION</b>	<ul style="list-style-type: none"> <li>• Unit is designed to be built-in or can be freestanding</li> <li>• Accepts a 1/4" custom insert panel</li> <li>• Available in the following finishes: Black or White</li> </ul>

### Model Details

Model	Voltage/Hz	Door Swing	Finish	Shipping Weight	MAP	MSRP
U-BI95B-00A	115 / 60	Field Reversible	Black Solid	59 lb	\$1,219	\$1,359
U-BI95W-00A	115 / 60	Field Reversible	White Solid	59 lb	\$1,219	\$1,359

### Accessories

Model	Description	Finish	Shipping Weight	MAP	MSRP
ULAMPWATERHOOKUP-1	Braided Water Supply Line Kit	N/A	2 lb	\$59	\$66

**FEATURES & BENEFITS**



STAINLESS  
SOLID (LOCK)



INTEGRATED  
SOLID



BLACK  
SOLID (LOCK)

<b>PERFORMANCE</b>	<ul style="list-style-type: none"> <li>• Volume of 5.3 cu ft holds up to 70 bottles (12 oz) or 140 cans (12 oz)</li> <li>• Digital Touch Pad Control is conveniently located on upper face of unit</li> <li>• Temperature range: 34°F - 45°F</li> <li>• Convection cooling system rapidly and efficiently takes items to the set temperature</li> </ul>
<b>INTERIOR/EXTERIOR</b>	<ul style="list-style-type: none"> <li>• 32" height meets ADA height requirement yet maximizes allowable space</li> <li>• White interior is illuminated with LED lighting</li> <li>• Three adjustable glass shelves</li> <li>• Stainless steel handle (7/8" diameter)</li> <li>• Door swing is field reversible, and is shipped right-hand hinged</li> <li>• Door lock is standard on stainless and black models</li> </ul>
<b>INTEGRATION</b>	<ul style="list-style-type: none"> <li>• Unit is designed to be built-in or can be freestanding</li> <li>• Four independently adjustable leveling legs provide a precise undercounter fit</li> <li>• Available in the following finishes: Stainless, Integrated, or Black</li> <li>• Integrated model requires 3/4" custom door panel (panels not supplied by U-Line)</li> </ul>

**Model Details**

Model	Voltage/Hz	Door Swing	Finish	Shipping Weight	MAP	MSRP
U-ADA24RS-13B	115 / 60	Field Reversible	Stainless Solid (Lock)	123 lb	\$2,249	\$2,499
U-ADA24RINT-00A	115 / 60	Field Reversible	Integrated	117 lb	\$2,089	\$2,329
U-ADA24RB-13B	115 / 60	Field Reversible	Black Solid (Lock)	123 lb	\$2,139	\$2,379

# ADA24RGL • 24" Glass Door Refrigerator • ADA Collection



STAINLESS  
FRAME (LOCK)



INTEGRATED  
FRAME



BLACK  
FRAME (LOCK)

## PERFORMANCE

- Volume of 5.4 cu ft holds up to 70 bottles (12 oz) or 140 cans (12 oz)
- Digital Touch Pad Control is conveniently located on upper face of unit
- Temperature range: 34°F - 45°F
- Convection cooling system rapidly and efficiently takes items to the set temperature

## INTERIOR/EXTERIOR

- 32" height meets ADA height requirement yet maximizes allowable space
- White interior is illuminated with LED lighting
- Three adjustable glass shelves
- LowE coated, argon gas filled, dual thermopane glass door provides protection from harmful UV Light
- Stainless steel handle (7/8" diameter)
- Door swing is field reversible, and is shipped right-hand hinged
- Door lock is standard on stainless and black models

## INTEGRATION

- Unit is designed to be built-in or can be freestanding
- Four independently adjustable leveling legs provide a precise undercounter fit
- Available in the following finishes: Stainless, Integrated, or Black
- Integrated model requires 3/4" custom door panel (panels not supplied by U-Line)

## Model Details

Model	Voltage/Hz	Door Swing	Finish	Shipping Weight	MAP	MSRP
U-ADA24RGLS-13B	115 / 60	Field Reversible	Stainless Frame (Lock)	128 lb	\$2,399	\$2,669
U-ADA24RGLINT-00A	115 / 60	Field Reversible	Integrated	122 lb	\$2,229	\$2,479
U-ADA24RGLB-13B	115 / 60	Field Reversible	Black Frame (Lock)	128 lb	\$2,279	\$2,539

**FEATURES & BENEFITS**



BLACK SOLID



BLACK SOLID (LOCK)



WHITE SOLID



WHITE SOLID (LOCK)

<b>PERFORMANCE</b>	<ul style="list-style-type: none"> <li>• Volume of 3.3 cu ft holds up to 35 bottles (12 oz) or 48 cans (12 oz)</li> <li>• Mechanical Dial Control is conveniently located on the grille</li> <li>• Temperature range: 34°F - 45°F</li> <li>• Passive cooling system</li> </ul>
<b>INTERIOR/EXTERIOR</b>	<ul style="list-style-type: none"> <li>• Three removable tempered glass shelves</li> <li>• Three fixed shelves in door</li> <li>• Door swing is field reversible for non-lock models, and is shipped right-hand hinged</li> <li>• Door lock models are available, and must be ordered hinge specific</li> </ul>
<b>INTEGRATION</b>	<ul style="list-style-type: none"> <li>• Unit is designed to be built-in or can be freestanding</li> <li>• Non-lock models accepts a 1/4" custom insert panel</li> <li>• Available in the following finishes: Black or White</li> </ul>

**Model Details**

Model	Voltage/Hz	Door Swing	Finish	Shipping Weight	MAP	MSRP
U-29RB-00A	115 / 60	Field Reversible	Black Solid	89 lb	\$1,269	\$1,419
U-29RB-13A	115 / 60	Right-Hand Hinge	Black Solid (Lock)	89 lb	\$1,319	\$1,469
U-29RB-15A	115 / 60	Left-Hand Hinge	Black Solid (Lock)	89 lb	\$1,319	\$1,469
U-29RW-00A	115 / 60	Field Reversible	White Solid	89 lb	\$1,269	\$1,419
U-29RW-13A	115 / 60	Right-Hand Hinge	White Solid (Lock)	89 lb	\$1,319	\$1,469
U-29RW-15A	115 / 60	Left-Hand Hinge	White Solid (Lock)	89 lb	\$1,319	\$1,469

## CO29F • 21" Refrigerator / Ice Maker • ADA Collection



BLACK  
SOLID



WHITE  
SOLID

### PERFORMANCE

- Refrigerator volume of 2.1 cu ft holds up to 24 bottles (12 oz) or 44 cans (12 oz)
- Mechanical Dial Control is conveniently located on the grille
- Temperature range: 34°F - 45°F
- Passive cooling system
- Produces and stores up to 8 lbs of ice per day
- Crescent ice cube dimensions: 1/2" W x 3/4" H x 2 1/4" L

### INTERIOR/EXTERIOR

- No drain required
- Two removable tempered glass shelves
- Two fixed storage compartments in door
- Door swing is field reversible, and is shipped right-hand hinged

### INTEGRATION

- Unit is designed to be built-in or can be freestanding
- Accepts a 1/4" custom insert panel
- Available in the following finishes: Black or White

## Model Details

Model	Voltage/Hz	Door Swing	Finish	Shipping Weight	MAP	MSRP
UARI121-BS01A*	115 / 60	Field Reversible	Black Solid	101 lb	\$1,999	\$2,229
UARI121-WS01A*	115 / 60	Field Reversible	White Solid	101 lb	\$1,999	\$2,229
UARI121-SS01A*	115/60	Field Reversible	Stainless Steel	101 lb	\$1,999	\$2,229

\* Models coming soon

## Accessories

Model	Description	Finish	Shipping Weight	MAP	MSRP
ULAMPWATERHOOKUP-1	Braided Water Supply Line Kit	N/A	2 lb	\$59	\$66

# Marine Collection

Durability and convenience for life at sea or on the road. Our collection of Marine ice makers and refrigerators are equipped with corrosive-resistant stainless steel hinges and fasteners, UV resistant cabinets and doors, and a secure travel latch. Maximum quality refrigeration and ice with practical details fit for use on land or water.



## BI95FC • 14" Crescent Ice Maker • Marine Collection



BLACK SOLID  
(FLANGE TO CABINET)

<b>PERFORMANCE</b>	<ul style="list-style-type: none"> <li>• Uses less than 3 gallons (11,4 liters) of water to produce up to 23 lb (10,4 kg) of ice per day</li> <li>• Up to 12 lb (5,4 kg) in ice storage capacity</li> <li>• Crescent ice cube dimensions: 1/2" W x 3/4" H x 2 1/4" L (12,7 mm W x 19 mm H x 57 mm L)</li> <li>• On/Off switch is conveniently located on the grille</li> <li>• Available in 115 or 220-240 volts</li> </ul>
<b>INTERIOR/EXTERIOR</b>	<ul style="list-style-type: none"> <li>• No drain required</li> <li>• Door swing is field reversible, and is shipped right-hand hinged</li> <li>• Standard travel package includes door latch, ensuring safe-at-sea storage</li> <li>• Corrosion and UV resistant components provide product longevity in harsh environments</li> </ul>
<b>INTEGRATION</b>	<ul style="list-style-type: none"> <li>• Unit is designed to be built-in or can be freestanding</li> <li>• Accepts a 1/4" (6,4 mm) custom insert panel</li> <li>• 1/2" (12,7 mm) flange mounts flush to cabinet</li> </ul>

### Model Details

Model	Voltage/Hz	Door Swing	Finish	Shipping Weight	MAP	MSRP
ULN-BI95FCB-03A	115 / 60	Field Reversible	Black Solid	61 lb (28 kg)	\$1,339	\$1,489
ULN-BI95FCB-20A	220-240 / 50	Field Reversible	Black Solid	61 lb (28 kg)	\$1,349	\$1,499

### Accessories

Model	Description	Finish	Shipping Weight	MAP	MSRP
ULAMPWATERHOOKUP-1	Braided water supply line kit	N/A	2 lb	\$59	\$66
U-POWERCORD-2056	Power Cord 220 - 240 V Great Britain/Ireland	N/A	N/A	N/A	N/A
U-POWERCORD-2256	Power Cord 220 - 240 V Australia/New Zealand	N/A	N/A	N/A	N/A
U-POWERCORD-2667	Power Cord 220 - 240 V Continental Europe	N/A	N/A	N/A	N/A
U-POWERCORD-3071	Power Cord 220 - 240 V China	N/A	N/A	N/A	N/A
U-POWERCORD-3111	Power Cord 220 - 240 V India	N/A	N/A	N/A	N/A

## WH95FC • 14" Crescent Ice Maker • Marine Collection



WHITE SOLID  
(FLANGE TO  
CABINET)

### PERFORMANCE

- Uses less than 3 gallons (11,4 liters) of water to produce up to 23 lb (10,4 kg) of ice per day
- Up to 12 lb (5,4 kg) in ice storage capacity
- Crescent ice cube dimensions: 1/2" W x 3/4" H x 2 1/4" L (12,7 mm W x 19 mm H x 57 mm L)
- On/Off switch is conveniently located on the grille
- Available in 115 or 220-240 volts

### INTERIOR/EXTERIOR

- No drain required
- Door swing is field reversible, and is shipped right-hand hinged
- Standard travel package includes door latch, ensuring safe-at-sea storage
- Corrosion and UV resistant components provide product longevity in harsh environments

### INTEGRATION

- Unit is designed to be built-in or can be freestanding
- 1/2" (12,7 mm) flange mounts flush to cabinet

## Model Details

Model	Voltage/Hz	Door Swing	Finish	Shipping Weight	MAP	MSRP
ULN-WH95FC-03A	115 / 60	Field Reversible (Flange to Cabinet)	White Solid	62 lb (28 kg)	\$1,389	\$1,549
ULN-WH95FC-20A	220-240 / 50	Field Reversible	White Solid	62 lb (28 kg)	\$1,411	\$1,570

## Accessories

Model	Description	Finish	Shipping Weight	MAP	MSRP
ULAMPWATERHOOKUP-1	Braided water supply line kit	N/A	2 lb	\$59	\$66
U-POWERCORD-2056	Power Cord 220 - 240 V Great Britain/Ireland	N/A	N/A	N/A	N/A
U-POWERCORD-2256	Power Cord 220 - 240 V Australia/New Zealand	N/A	N/A	N/A	N/A
U-POWERCORD-2667	Power Cord 220 - 240 V Continental Europe	N/A	N/A	N/A	N/A
U-POWERCORD-3071	Power Cord 220 - 240 V China	N/A	N/A	N/A	N/A
U-POWERCORD-3111	Power Cord 220 - 240 V India	N/A	N/A	N/A	N/A

## SS1095FC • 14" Crescent Ice Maker • Marine Collection



STAINLESS  
SOLID  
(FLUSH TO CABINET)



STAINLESS  
SOLID  
(FLUSH TO DOOR)



STAINLESS  
SOLID  
(NO FLANGE)

### PERFORMANCE

- Uses less than 3 gallons (11,4 liters) of water to produce up to 23 lb of ice per day
- Up to 12 lb (5,4 kg) in ice storage capacity
- Crescent ice cube dimensions: 1/2" W x 3/4" H x 2 1/4" L (12,7 mm W x 19 mm H x 57 mm L)
- On/Off switch is conveniently located on the grille
- Available in 115 or 220-240 volts

### INTERIOR/EXTERIOR

- No drain required
- Door swing is field reversible, and is shipped right-hand hinged
- Standard travel package includes door latch, ensuring safe-at-sea storage
- Corrosion and UV resistant components provide product longevity in harsh environments

### INTEGRATION

- Unit is designed to be built-in or can be freestanding
- Multiple flange options

## Model Details

Model	Voltage/Hz	Door Swing	Finish	Shipping Weight	MAP	MSRP
ULN-SS1095FC-03A	115 / 60	Field Reversible (Flush to Cabinet)	Stainless Solid	66 lb (30 kg)	\$1,719	\$1,919
ULN-SS1095FC-20A	220-240 / 50	Field Reversible (Flush to Cabinet)	Stainless Solid	66 lb (30 kg)	\$1,711	\$1,903
ULN-SS1095FD-03A	115 / 60	Field Reversible (Flush to Door)	Stainless Solid	66 lb (30 kg)	\$1,719	\$1,919
ULN-SS1095FD-20A	220-240 / 50	Field Reversible (Flush to Door)	Stainless Solid	66 lb (30 kg)	\$1,711	\$1,903
ULN-SS1095NF-03A	115 / 60	Field Reversible (No Flange)	Stainless Solid	66 lb (30 kg)	\$1,629	\$1,819
ULN-SS1095NF-20A	220-240 / 50	Field Reversible (No Flange)	Stainless Solid	66 lb (30 kg)	N/A	N/A

## Accessories

Model	Description	Finish	Shipping Weight	MAP	MSRP
ULAMPWATERHOOKUP-1	Braided water supply line kit	N/A	2 lb	\$59	\$66
U-POWERCORD-2056	Power Cord 220 - 240 V Great Britain/Ireland	N/A	N/A	N/A	N/A
U-POWERCORD-2256	Power Cord 220 - 240 V Australia/New Zealand	N/A	N/A	N/A	N/A
U-POWERCORD-2667	Power Cord 220 - 240 V Continental Europe	N/A	N/A	N/A	N/A
U-POWERCORD-3071	Power Cord 220 - 240 V China	N/A	N/A	N/A	N/A
U-POWERCORD-3111	Power Cord 220 - 240 V India	N/A	N/A	N/A	N/A

## SS98NF • 15" Crescent Ice Maker • Marine Collection



STAINLESS  
SOLID  
(NO FLANGE)

<b>PERFORMANCE</b>	<ul style="list-style-type: none"> <li>• Uses less than 3 gallons (11,4 liters) of water to produce up to 25 lb (11,3 kg) of ice per day</li> <li>• Up to 25 lb (11,3 kg) in ice storage capacity</li> <li>• Crescent ice cube dimensions: 1/2" W x 3/4" H x 2 1/4" L (12,7 mm W x 19 mm H x 57 mm L)</li> <li>• On/Off switch is conveniently located on the grille</li> <li>• Available in 115 or 220-240 volts</li> </ul>
<b>INTERIOR/EXTERIOR</b>	<ul style="list-style-type: none"> <li>• No drain required</li> <li>• Door swing is field reversible, and is shipped right-hand hinged</li> <li>• Standard travel package includes door latch, ensuring safe-at-sea storage</li> <li>• Corrosion and UV resistant components provide product longevity in harsh environments</li> </ul>
<b>INTEGRATION</b>	<ul style="list-style-type: none"> <li>• Unit is designed to be built-in or can be freestanding</li> <li>• Accepts a 1/4" (6,4 mm) custom insert panel</li> </ul>

### Model Details

Model	Voltage/Hz	Door Swing	Finish	Shipping Weight	MAP	MSRP
ULN-SS98NF-03A	115 / 60	Field Reversible (No Flange)	Stainless Solid	74 lb (34 kg)	\$1,609	\$1,789
ULN-SS98NF-20A	220-240 / 50	Field Reversible (No Flange)	Stainless Solid	73 lb (33 kg)	\$1,608	\$1,789

### Accessories

Model	Description	Finish	Shipping Weight	MAP	MSRP
ULAMPWATERHOOKUP-1	Braided water supply line kit	N/A	2 lb	\$59	\$66
U-POWERCORD-2056	Power Cord 220 - 240 V Great Britain/Ireland	N/A	N/A	N/A	N/A
U-POWERCORD-2256	Power Cord 220 - 240 V Australia/New Zealand	N/A	N/A	N/A	N/A
U-POWERCORD-2667	Power Cord 220 - 240 V Continental Europe	N/A	N/A	N/A	N/A
U-POWERCORD-3071	Power Cord 220 - 240 V China	N/A	N/A	N/A	N/A
U-POWERCORD-3111	Power Cord 220 - 240 V India	N/A	N/A	N/A	N/A

## SP18FC • 15" Crescent Ice Maker • Marine Collection



STAINLESS  
SOLID



BLACK  
SOLID



WHITE  
SOLID

### PERFORMANCE

- Uses less than 3 gallons (11,4 liters) of water to produce up to 23 lb (10,4 kg) of ice per day
- Up to 12 lb (5,4 kg) in ice storage capacity
- Crescent ice cube dimensions: 1/2" W x 3/4" H x 2 1/4" L (12,7 mm W x 19 mm H x 57 mm L)
- On/Off switch is conveniently located on the grille
- Available in 115 or 220-240 volts

### INTERIOR/EXTERIOR

- No drain required
- Door swing is field reversible, and is shipped right-hand hinged
- Standard travel package includes door latch, ensuring safe-at-sea storage
- Corrosion and UV resistant components provide product longevity in harsh environments

### INTEGRATION

- Unit is designed to be built-in or can be freestanding
- Black finish accepts a 1/4" (6,4 mm) custom insert panel
- 1/2" (12,7 mm) flange mounts flush to cabinet

## Model Details

Model	Voltage/Hz	Door Swing	Finish	Shipping Weight	MAP	MSRP
ULN-SP18FCS-03A	115 / 60	Field Reversible	Stainless Solid	65 lb (30 kg)	\$1,639	\$1,829
ULN-SP18FCS-20A	220-240 / 50	Field Reversible	Stainless Solid	65 lb (30 kg)	\$1,629	\$1,812
ULN-SP18FCB-03A	115 / 60	Field Reversible	Black Solid	68 lb (31 kg)	\$1,469	\$1,639
ULN-SP18FCB-20A	220-240 / 50	Field Reversible	Black Solid	68 lb (31 kg)	\$1,474	\$1,640
ULN-SP18FCW-03A	115 / 60	Field Reversible	White Solid	68 lb (31 kg)	\$1,489	\$1,659
ULN-SP18FCW-20A	220-240 / 50	Field Reversible	White Solid	68 lb (31 kg)	\$1,493	\$1,661

## Accessories

Model	Description	Finish	Shipping Weight	MAP	MSRP
ULAMPWATERHOOKUP-1	Braided water supply line kit	N/A	2 lb	\$59	\$66
U-POWERCORD-2056	Power Cord 220 - 240 V Great Britain/Ireland	N/A	N/A	N/A	N/A
U-POWERCORD-2256	Power Cord 220 - 240 V Australia/New Zealand	N/A	N/A	N/A	N/A
U-POWERCORD-2667	Power Cord 220 - 240 V Continental Europe	N/A	N/A	N/A	N/A
U-POWERCORD-3071	Power Cord 220 - 240 V China	N/A	N/A	N/A	N/A
U-POWERCORD-3111	Power Cord 220 - 240 V India	N/A	N/A	N/A	N/A

• 21" Refrigerator / Ice Maker • Marine Collection



BLACK SOLID



WHITE SOLID

<b>PERFORMANCE</b>	<ul style="list-style-type: none"> <li>• Refrigerator volume of 2.1 cu ft (59,5 liters) holds up to 24 bottles (12 oz / 330 ml) or 44 cans (12 oz / 330 ml)</li> <li>• Mechanical Dial Control is conveniently located on the grille</li> <li>• Temperature range: 34°F - 45°F (1°C - 7°C)</li> <li>• Daily ice produces up to 18 lb (8,2 kg) of ice</li> <li>• Up to 13 lb (5,9 kg) in ice storage capacity</li> <li>• Crescent ice cube dimensions: 1/2" W x 3/4" H x 2 1/4" L (12,7 mm W x 19 mm H x 57 mm L)</li> <li>• Available in 115 or 220-240 volts</li> </ul>
<b>INTERIOR/EXTERIOR</b>	<ul style="list-style-type: none"> <li>• No drain required</li> <li>• Two removable tempered glass shelves</li> <li>• Two fixed storage compartments in door</li> <li>• Door swing is field reversible, and is shipped right-hand hinged</li> <li>• Standard travel package includes door latch, ensuring safe-at-sea storage</li> <li>• Corrosion and UV resistant components provide product longevity in harsh environments</li> </ul>
<b>INTEGRATION</b>	<ul style="list-style-type: none"> <li>• Unit is designed to be built-in or can be freestanding</li> <li>• Available in the following finishes: Black or White</li> <li>• Black finish accepts a 1/4" (6,4 mm) custom insert panel</li> </ul>

**Model Details**

Model	Voltage/Hz	Door Swing	Finish	Shipping Weight	MAP	MSRP
UMRI121-BS01A*	115 / 60	Right-Hand Hinge	Black Solid	94 lb (43 kg)	\$1,749	\$1,946
UMRI121-SS02A*	220-240 / 50	Right-Hand Hinge	Stainless Steel	94 lb (43 kg)	\$1,749	\$1,946
UMRI121-WS01A*	115 / 60	Right-Hand Hinge	White Solid	94 lb (43 kg)	\$1,749	\$1,946
UMRI121-BS02A*	220-240 / 50	Right-Hand Hinge	White Solid	94 lb (43 kg)	\$1,749	\$1,946
UMRI121-SS01A*	220-240 / 50	Right-Hand Hinge	Stainless Steel	94 lb (43 kg)	\$1,749	\$1,946

\*Models coming soon

**Accessories**

Model	Description	Finish	Shipping Weight	MAP	MRSP
ULAMPWATERHOOKUP-1	Braided water supply line kit	N/A	2 lb	\$59	\$66
U-POWERCORD-2056	Power Cord 220 - 240 V Great Britain/Ireland	N/A	N/A	N/A	N/A
U-POWERCORD-2256	Power Cord 220 - 240 V Australia/New Zealand	N/A	N/A	N/A	N/A
U-POWERCORD-2667	Power Cord 220 - 240 V Continental Europe	N/A	N/A	N/A	N/A
U-POWERCORD-3071	Power Cord 220 - 240 V China	N/A	N/A	N/A	N/A
U-POWERCORD-3111	Power Cord 220 - 240 V India	N/A	N/A	N/A	N/A



Black Solid



White Solid



Stainless Solid

## Key Features

- Refrigerator volume of 2.1 cu ft (59,5 liters) holds up to 24 bottles (12 oz / 330 ml) or 44 cans (12 oz / 330 ml)
- Mechanical Dial Control is conveniently located on the grille
- Temperature range: 34°F - 45°F (1°C - 7°C)
- Daily ice produces up to 18 lb (8,2 kg) of ice
- Up to 13 lb (5,9 kg) in ice storage capacity
- Crescent ice cube dimensions: 1/2" W x 3/4" H x 2 1/4" L (12,7 mm W x 19 mm H x 57 mm L)
- No drain required
- Two removable tempered glass shelves
- Two fixed storage compartments in door
- Standard travel package includes door latch, ensuring safe-at-sea storage
- Corrosion and UV resistant components provide product longevity in harsh environments
- Built-in or freestanding

## Model Details

Model	Voltage/Hz	Door Swing	Finish	Shipping Weight	MAP	MSRP
UMRI121-BS02A	230 / 50	Field Reversible	Black Solid	94 lb (43 kg)	\$1,753	\$1,946
UMRI121-WS02A	230 / 50	Field Reversible	White Solid	94 lb (43 kg)	\$X,XXX	\$X,XXX
UMRI121-SS02A	230 / 50	Field Reversible	Stainless Solid	94 lb (43 kg)	\$X,XXX	\$X,XXX

## Accessories

Model	Description	Finish	Shipping Weight	MAP	MSRP
ULAWATERHOOKUP-1	Braided water supply line kit	N/A	2 lb	\$59	\$66
U-POWERCORD-2056	Power Cord 220 - 240 V Great Britain/Ireland	N/A	N/A	N/A	N/A
U-POWERCORD-2256	Power Cord 220 - 240 V Australia/New Zealand	N/A	N/A	N/A	N/A
U-POWERCORD-2667	Power Cord 220 - 240 V Continental Europe	N/A	N/A	N/A	N/A
U-POWERCORD-3071	Power Cord 220 - 240 V China	N/A	N/A	N/A	N/A
U-POWERCORD-3111	Power Cord 220 - 240 V India	N/A	N/A	N/A	N/A



Black Solid



White Solid



Stainless Solid

### Key Features

- Refrigerator volume of 2.1 cu ft holds up to 24 bottles (12 oz) or 44 cans (12 oz)
- Mechanical Dial Control is conveniently located on the grille
- Temperature range: 34°F - 45°F
- Daily ice produces up to 18 lbs of ice
- Up to 13 lbs in ice storage capacity
- Crescent ice cube dimensions: 1/2" W x 3/4" H x 2 1/4" L
- No drain required
- Two removable tempered glass shelves
- Two fixed storage compartments in door
- Standard travel package includes door latch, ensuring safe-at-sea storage
- Corrosion and UV resistant components provide product longevity in harsh environments
- Built-in or freestanding

### Model Details

Model	Voltage/Hz	Door Swing	Finish	Shipping Weight	MAP	MSRP
UMRI121-BS01A	115 / 60	Field Reversible	Black Solid	94 lb	\$1,749	\$1,949
UMRI121-WS01A	115 / 60	Field Reversible	White Solid	94 lb	\$1,749	\$1,949
UMRI121-SS01A	115 / 60	Field Reversible	Stainless Solid	94 lb	\$1,749	\$1,949

### Accessories

Model	Description	Finish	Shipping Weight	MAP	MSRP
ULAWATERHOOKUP-1	Braided water supply line kit	N/A	2 lb	\$59	\$66



Black Solid



White Solid



Stainless Solid

### Key Features

- Refrigerator volume of 2.1 cu ft holds up to 24 bottles (12 oz) or 44 cans (12 oz)
- Digital touch pad controls
- Temperature range: 34°F - 45°F
- Produces and stores up to 8 lbs of ice per day
- Crescent ice cube dimensions: 1/2" W x 3/4" H x 2 1/4" L
- No drain required
- Two removable tempered glass shelves
- Two fixed storage compartments in door
- Door swing is field reversible, and is shipped right-hand hinged
- Built-in or freestanding

### Model Details

Model	Voltage/Hz	Door Swing	Finish	Shipping Weight	MAP	MSRP
UARI121-SS01A	115 / 60	Field Reversible	Stainless Solid	101 lb	\$1,999	\$2,229
UARI121-BS01A	115 / 60	Field Reversible	Black Solid	101 lb	\$1,999	\$2,229
UARI121-WS01A	115 / 60	Field Reversible	White Solid	101 lb	\$1,999	\$2,229

### Accessories

Model	Description	Finish	Shipping Weight	MAP	MSRP
ULAWATERHOOKUP-1	Braided water supply line kit	N/A	2 lb	\$59	\$66



Stainless Solid



Integrated Solid



Black Solid



White Solid

### Key Features

- Refrigerator volume of 4.2 cu ft holds up to 61 bottles (12 oz) or 114 cans (12 oz)
- Freezer volume of 1.5 cu ft
- Digital Touch Pad Control
- Refrigerator temperature range: 34°F - 45°F
- Frost Free Freezer
- White interior is illuminated with LED lighting
- Three removable tempered glass shelves
- Stainless steel handle (7/8" diameter)
- Field reversible door is shipped right-hand hinged
- Built-in or freestanding
- Four adjustable leveling legs

### Model Details

Model	Voltage/Hz	Door Swing	Finish	Shipping Weight	MAP	MSRP
UHRF124-SS01A	115 / 60	Field Reversible	Stainless Solid	123 lb	\$2,149	\$2,389
UHRF124-IS01A	115 / 60	Field Reversible	Integrated Solid	120 lb	\$1,999	\$2,229
UHRF124-BS01A	115 / 60	Field Reversible	Black Solid	123 lb	\$2,149	\$2,389
UHRF124-WS01A	115 / 60	Field Reversible	White Solid	123 lb	\$2,149	\$2,389

### Accessories

Model	Description	Finish	Shipping Weight	MAP	MSRP
ULAFREESTANDB	Freestanding Kit	Black	3 lb	\$63	\$70



Stainless Solid



Integrated Solid



Black Solid



White Solid

### Key Features

- Volume of 4.2 cu ft holds up to 61 bottles (12 oz) or 114 cans (12 oz)
- Digital Touch Pad Control
- Refrigerator temperature range: 34°F - 45°F
- Produces and stores up to 8 lbs of ice per day
- Crescent ice cube dimensions: 1/2" W x 3/4" H x 2 1/4" L
- White interior is illuminated with LED lighting
- Three removable tempered glass shelves
- No drain required
- Stainless steel handle (7/8" diameter)
- Field reversible door is shipped right-hand hinged
- Built-in or freestanding
- Four adjustable leveling legs

### Model Details

Model	Voltage/Hz	Door Swing	Finish	Shipping Weight	MAP	MSRP
UHRI124-SS01A	115 / 60	Field Reversible	Stainless Solid	129 lb	\$2,229	\$2,479
UHRI124-IS01A	115 / 60	Field Reversible	Integrated Solid	126 lb	\$2,149	\$2,389
UHRI124-BS01A	115 / 60	Field Reversible	Black Solid	129 lb	\$2,229	\$2,479
UHRI124-WS01A	115 / 60	Field Reversible	White Solid	129 lb	\$2,229	\$2,479

### Accessories

Model	Description	Finish	Shipping Weight	MAP	MSRP
ULAFREESTANDB	Freestanding Kit	Black	3 lb	\$63	\$70
ULAWATERHOOKUP-1	Braided Water Supply Line Kit	N/A	2 lb	\$59	\$66

# U-CHILL®

U-Chill® is an in-counter cooling cylinder that maintains the temperature of chilled beverages while you enjoy them. Perfect for wine, champagne, craft beer, carafes, bottled water, spirits, and other beverages. Integrates beautifully in homes, hotels, restaurant lounges, suites, bars, serving stations, kitchens, bathrooms, entertainment areas, and more. U-Chill® installs in minutes and is maintenance free.



# UCC1A • U-Chill®

## Smart-Touch Crown

- Control with just a touch
- Hand-polished marine-grade stainless steel (316L)
- Powers off automatically after 4 hours

## Interactive LED Lighting

- 27 different color options
- Optional color-flow setting

## Simple Installation

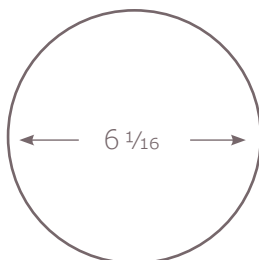
- Installs in 6 1/16" diameter opening in countertops from 1/16" to 2 1/2" thick
- Plugs into standard 115v/60Hz outlet
- AC/DC adapter included
- Width: 6 5/16"
- Height: 11 13/16"

## Patented Kryolux™ Technology\*

- Dry cooling
- Cold jacket of air surrounds your beverage
- Optimal ambient temp. range: 50°F - 90°F
- Energy efficient
- Near-silent operation

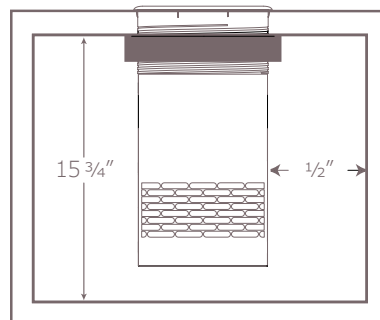


## Surface Cutout



Use 6" hole saw

## Minimum Space Below Crown



## Craftsmanship Handmade in England

U-Line backs each U-Chill® with a 2 year warranty

## Model Details

Model	Description	Finish	Shipping Weight	MAP	MSRP
UCC1A	U-Chill® In-Counter Cooling Cylinder	Stainless	7 lb	\$999	\$1,099

\*Kryolux™ is a registered trademark of Kaelo LTD.

## CUSTOMER CARE

Our Customer Care group is equipped with the knowledge and skills to find a solution for you, and fast. Our sophisticated facility is equipped to handle any service request. With live products readily available for diagnostics, our Customer Care group can walk you through a solution while doing it themselves on the same model. Our efficient call center management system ensures minimal wait time for consumers. We believe product support should be quick, simple, and frustration-free.

## CUSTOMER CARE & PARTS ASSISTANCE

Monday - Friday 8:00 am to 4:30 pm CST

T: +1.800.779.2547

F: +1.414.354.5696

Customer Care Email: [onlineservice@u-line.com](mailto:onlineservice@u-line.com)

Parts Email: [onlineparts@u-line.com](mailto:onlineparts@u-line.com)

## U-LINE GENERAL INQUIRIES

Monday - Friday 8:00 am to 4:30 pm CST

8900 North 55th Street

Milwaukee, Wisconsin 53223 USA

T: +1.414.354.0300

F: +1.414.354.7905

Email: [sales@u-line.com](mailto:sales@u-line.com)

[u-line.com](http://u-line.com)

## WARRANTY INFORMATION

U-Line backs each product with a 1 year warranty (5 years parts).

A free 2<sup>nd</sup> year warranty is available.

See [u-line.com](http://u-line.com) for details.



## SERIAL NUMBER FORMAT

**16**

Year

**14862**

Factory use only

Month

**05**

Factory use only

**0527**

## UPDATED NOMENCLATURE

**U H BV 1 24 - S G 0 1 A**

BRAND	PRODUCT CATEGORY	PRODUCT TYPE	CLASS	OVERALL WIDTH	FINISH	DOOR/DRAWER	HINGE/LOCK	VOLTAGE	REVISION LEVEL
U (U-Line)	A (ADA) H (home) M (marine) O (outdoor)	BV (beverage center) CL (clear ice) CP (clear ice pump) CR (crescent ice) DR (drawer refrigerator) FZ (freezer) KR (keg refrigerator) NB (nugget ice/bin) NP (nugget ice/bin pump) RE (refrigerator) RF (refrigerator freezer) RI (refrigerator ice) WC (wine captain single zone) WD (wine captain dual zone)	0 (STANDARD) 1 3 5	15 18 24 36	A (ADA) H (home) M (marine) O (outdoor)	G (glass) S (solid)	0 (field reversible) 1 (right hinge) 2 (left hinge) 3 (field reversible, lock) 4 (right hinge, lock) 5 (left hinge, lock) 6 (N/A)	1 (115 V)	A



Mid-Atlantic Division	800-950-9900	215-554-6566	MID-ATL@almo.com
Northeast Division	800-836-2522	215-554-6697	NE@almo.com
Southeast Division	800-645-3505	215-554-6671	SE@almo.com



## Almo Web Support

- premium.almo.com – Overview of Almo Premium Appliances
- www.access.almo.com - Almo's business-to-business website
  - *Spec sheets, inventory, pricing, training, spiff claims*



## Service/Parts Request

- **Contact U-Line to schedule service or request replacement parts**
  - **Phone** ☎ : +1.800.779.2547
  - **Customer Care Email** ✉ : onlineservice@U-Line.com
  - For cosmetic or damaged / missing parts, please contact Almo Customer Care
- **If you need to escalate an issue, please contact Almo Customer Care**
  - **Email** ✉ : PremiumApplianceCCC@almo.com
  - Call your regional number, option 2



## RA Policies

- **Dealer requesting return on a unit**
  - *Contact Almo CCC with detail of why the request is being made, model/serial #, & DOP*
  - **Remorse/order cancelled**
    - *If the unit is factory sealed and a current model, an RA will be approved*
      - Dealer is responsible for return freight
      - No restocking fee (20%) if within the first 10 days receipt
    - *If the unit is opened but unused, an RA will be approved if within the first 10 days*
      - Dealer is responsible for return freight
      - Minimum 35% restock fee
  - **Concealed damaged returns**
    - *Contact Almo CCC with details of model/ serial number, DOP, and how the unit was signed for*
    - *Photos of all sides of the carton and damage must be submitted for any return request on a damage product*
    - **REFUSE ANY PRODUCT YOU FEEL MAY BE DAMAGED!**

- There are no returns on **special order products**
- There are no returns on **installed products**
- Product returned not in the condition claimed is subject to a **minimum 35% restocking fee**



# U-LINE



Wine Captain® Models • Beverage Centers • Clear Ice Machines • Crescent Ice Makers • Refrigerators • Freezers • Combo® Models

8900 North 55<sup>th</sup> Street • Milwaukee, Wisconsin 53223 USA • Phone +1.414.354.0300 • Fax +1.414.354.7905 • U-Line.com

PRUNPG012021