



by FLEURCO

FLEX
SERIES

NEW!

FIBO WALLS

WALL SYSTEMS

**THE SMART WAY TO
TRANSFORM YOUR WALL**

FLEURCO INC. **USA EAST** Tel: 856.778.0110 | Toll Free: 1.888.568.2121 | Fax: 1.888.854.1020
FLEURCO INC. **USA MIDWEST** Tel: 630.607.0847 | Toll Free: 1.888.263.3651 | Fax: 331.225.2549
FLEURCO INC. **USA WEST** Tel: 562.368.8800 | Toll Free: 1.877.413.2880 | Fax: 562.368.8812

FLEURCO INC. **CANADA** Tel: 1.514.326.2222 | Toll Free: 1.800.993.0033 | Fax: 1.514.326.2008 | www.fleurco.com



WALL SYSTEMS

WANT EVEN MORE FLEXIBILITY?

CREATE YOUR OWN UNIQUE LOOK WITH THE NEW FIBO BY FLEURCO FLEX SERIES. ALL OF THE SAME GREAT FEATURES OF THE ORIGINAL PROGRAM, NOW IN EASY TO USE 24" PANELS. EXPERIENCE THE LOOK OF LUXURIOUS TILE WITH OUR 2 NEW GROUT PATTERNS.

BENEFITS OF FIBO BY FLEURCO WALL SYSTEMS COMPARED TO TRADITIONAL TILES:

	TILES	FIBO by FLEURCO
Hygienic	X	✓
Waterproof*	X	✓
Washable	✓	✓
Low maintenance	X	✓
No grout work	X	✓
Quick & easy fittings	X	✓
Simple to work with	X	✓
Easy to cut	X	✓
Lightweight	X	✓
Warm to touch	X	✓
Colourfast	✓	✓

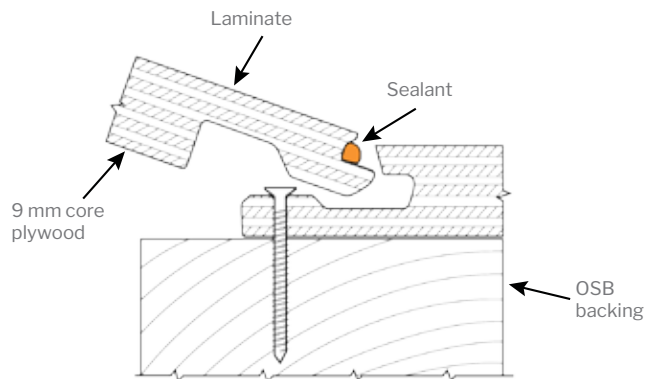
*Fibo sealant required

- ▶ **Specifically designed kits are pre-measured to accommodate all standard shower enclosures for alcove, 2 sided & cube configurations**
- ▶ **Easy to order - All parts needed for installation are included**
- ▶ **2 luxurious patterns available plus 3 optional accent panels**

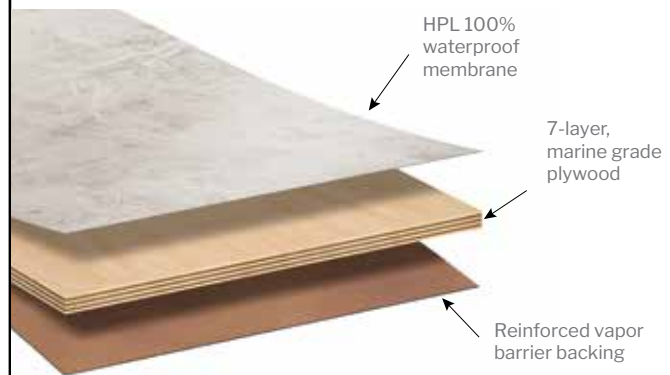
Cannot be installed over sheetrock / cement board

WHAT IS AQUALOCK ?

The patented Aqualock click system creates a flawless waterproof look with invisible joints. Installation is quick and provides consistent results.



WHAT ARE FIBO BY FLEURCO WALLS MADE OF?

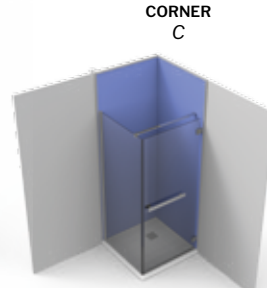
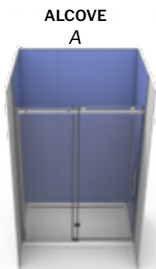


limited LIFETIME warranty



HOW TO ORDER A FIBO BY FLEURCO WALL SYSTEM

STEP 1 SELECT CONFIGURATION
THIS IS MANDATORY



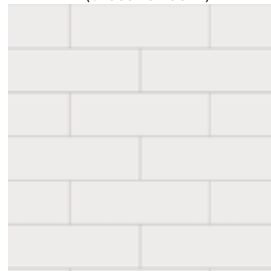
FBA-5PAN-3091-F23
CONFIGURATION

STEP 2 SELECT WALL PATTERN
THIS IS MANDATORY

DENVER WHITE*
3091-F23
GREY GROUT
(GLOSSY SMOOTH)



DENVER WHITE*
3091-M74
GREY GROUT
(GLOSSY SMOOTH)



FBA-5PAN-3091-F23
PATTERN

STEP 3 1 SELECT TRIM COLOUR
THIS IS MANDATORY

SANDBLASTED
14



WHITE
18



BLACK SATIN
33



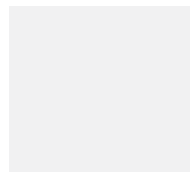
FBA-L-INSTALLKIT-14-G
TRIM COLOUR

STEP 3 2 SELECT SEALANT COLOUR
THIS IS MANDATORY

GREY
G



WHITE
W



FBA-L-INSTALLKIT-14-G
SEALANT COLOUR

STEP 4 SELECT ACCENT PANEL
THIS IS OPTIONAL

GREY CONCRETE
4943
GREY GROUT



BLACK SLATE
1066
WHITE GROUT



WHITE SLATE
4091
GREY GROUT



FB-ACCENT-1066
ACCENT PANEL

*Due to its high gloss nature, colouring of Denver White may differ depending on the environment and lighting.



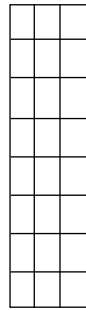
**FIBO WALL MODEL FB2-5PAN-3091-F23 + FB2-L-INSTALLKIT-14-G
DOOR MODEL VSXS30-11-40-79**



**FIBO WALL MODEL FBA-6PAN-3091-M74 + FBA-L-INSTALLKIT-33-G
DOOR MODEL NPS160-33-40**

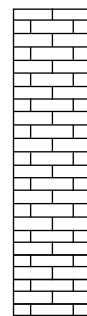


GROUT LINES (F23)



Tile size:
7.9" x 11.81"

GROUT LINES (M74)



Tile size:
11.81" x 3.94"

ACCENT PANELS
(OPTIONAL)



*Due to its high gloss nature, colouring of Denver White may differ depending on the environment and lighting.

FOR MORE INFORMATION, VISIT WWW.FLEURCO.COM/FIBO



ALCOVE 3 WALLS



FIBO ALCOVE 5 PANEL

MODEL	PRICE	PATTERN	FITS STANDARD BASE	WALL DIMENSIONS*
FBA-5PAN-3091-F23	\$2,178	Denver White	48" x 36"	47"W x 35 1/2"D x 94 1/2"H
FBA-5PAN-3091-M74	\$2,588	Denver White		

*Measured on backing board.
For non-standard dimensions,
please contact customer service.

+ FIBO INSTALL KIT
THIS IS MANDATORY

MODEL
FBA-S-INSTALLKIT- ① - ②

FIBO ALCOVE 6 PANEL

MODEL	PRICE	PATTERN	FITS STANDARD BASE	WALL DIMENSIONS*
FBA-6PAN-3091-F23	\$2,448	Denver White	60" x 32"	59"W x 31 1/2"D x 94 1/2"H
			60" x 36"	59"W x 35 1/2"D x 94 1/2"H
FBA-6PAN-3091-M74	\$2,918	Denver White	72" x 36"	71"W x 35 1/2"D x 94 1/2"H

*Measured on backing board.
For non-standard dimensions,
please contact customer service.

+ FIBO INSTALL KIT
THIS IS MANDATORY

MODEL
FBA-L-INSTALLKIT- ① - ②

INSTALL KIT
INSTALL KIT INCLUDES FIBO CLEAN,
FIBO WIPES, FIBO SEAL, FIBO
SEALING TOOLS, SCREWS

Shipping and packaging charges may
apply when sold separately.



FIBO INSTALL GRIP CAN BE
PURCHASED SEPARATELY
(FB-GRIP \$55)

ACCENT PANELS

12" Standard Accent Panel

MODEL	PRICE	PATTERN
FB-ACCENT-4943	\$268	Grey Concrete
FB-ACCENT-1066	\$268	Black Slate
FB-ACCENT-4091	\$268	White Slate

INSTALL KIT OPTIONS

Trim colour: insert code "14", "18" or "33"

①

SANDBLASTED
"14"

WHITE
"18"

BLACK SATIN
"33"

1/2" x 9/16" L shaped profile - Length: 94 1/2"

Sealant colour: insert code
"W" or "G"

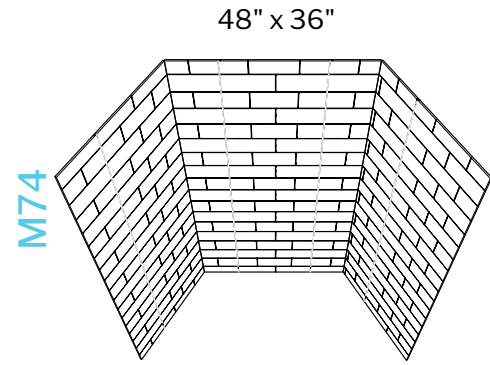
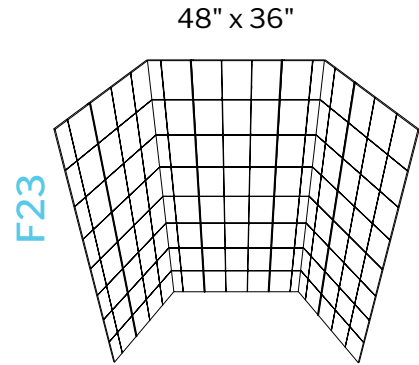
②

WHITE
"W"

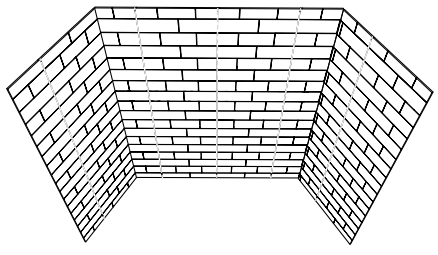
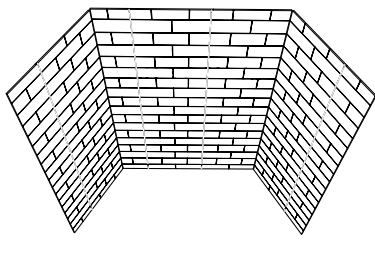
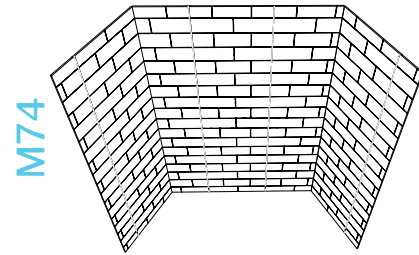
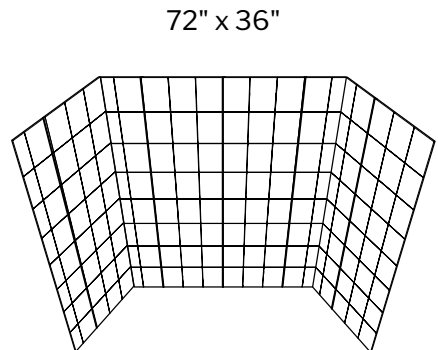
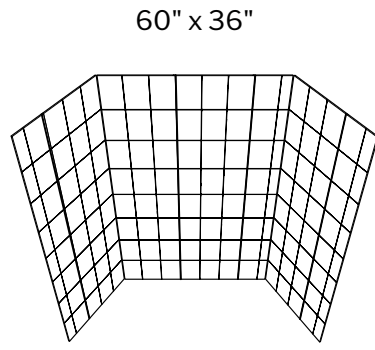
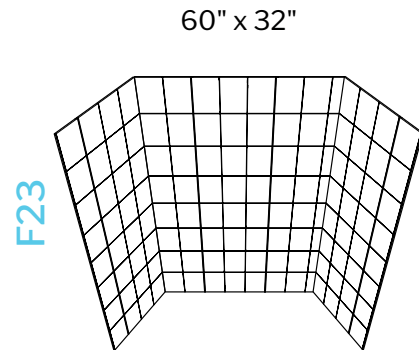
GREY
"G"

Large trims are available. See page 10 for more information.

5 PANELS



6 PANELS



Tile patterns shown are a representation of what will be achieved for each model and size when Fleurco installation manuals are followed.

Panels are to be cut to fit each space.

Pattern schematic can be redesigned by adding extra panels. Contact customer service for more information.

See Bases booklet or contact customer service for compatible base models.



2 SIDED 2 WALLS



FIBO 2 SIDED 4 PANEL

MODEL	PRICE	PATTERN	FITS STANDARD BASE	WALL DIMENSIONS*
FB2-4PAN-3091-F23	\$1,758	Denver White	48" x 36"	47 1/2"W x 35 1/2"D x 94 1/2"H
			48" x 42"	47 1/2"W x 41 1/2"D x 94 1/2"H
			54" x 36"	53 1/2"W x 35 1/2"D x 94 1/2"H
FB2-4PAN-3091-M74	\$2,068	Denver White	60" x 32"	59 1/2"W x 31 1/2"D x 94 1/2"H

*Measured on backing board.
For non-standard dimensions, please contact customer service.

+ **FIBO** INSTALL KIT
THIS IS MANDATORY

MODEL

FB2-S-INSTALLKIT- ① - ②

FIBO 2 SIDED 5 PANEL

MODEL	PRICE	PATTERN	FITS STANDARD BASE	WALL DIMENSIONS*
FB2-5PAN-3091-F23	\$2,028	Denver White	60" x 36"	59 1/2"W x 35 1/2"D x 94 1/2"H
			60" x 42"	59 1/2"W x 41 1/2"D x 94 1/2"H
FB2-5PAN-3091-M74	\$2,438	Denver White	72" x 36"	71 1/2"W x 35 1/2"D x 94 1/2"H

*Measured on backing board.
For non-standard dimensions, please contact customer service.

+ **FIBO** INSTALL KIT
THIS IS MANDATORY

MODEL

FB2-L-INSTALLKIT- ① - ②

INSTALL KIT

INSTALL KIT INCLUDES FIBO CLEAN, FIBO WIPES, FIBO SEAL, FIBO SEALING TOOLS, SCREWS



Shipping and packaging charges may apply when sold separately.



FIBO INSTALL GRIP CAN BE PURCHASED SEPARATELY (FB-GRIP \$55)

ACCENT PANELS

12" Standard Accent Panel

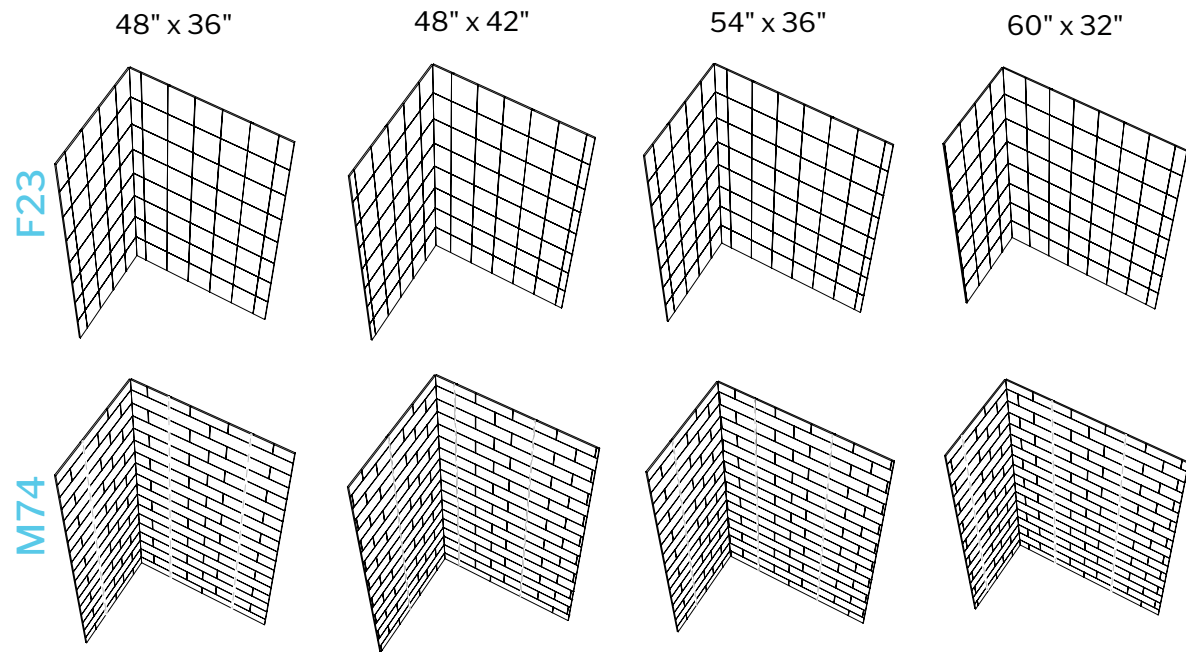
MODEL	PRICE	PATTERN
FB-ACCENT-4943	\$268	Grey Concrete
FB-ACCENT-1066	\$268	Black Slate
FB-ACCENT-4091	\$268	White Slate

INSTALL KIT OPTIONS

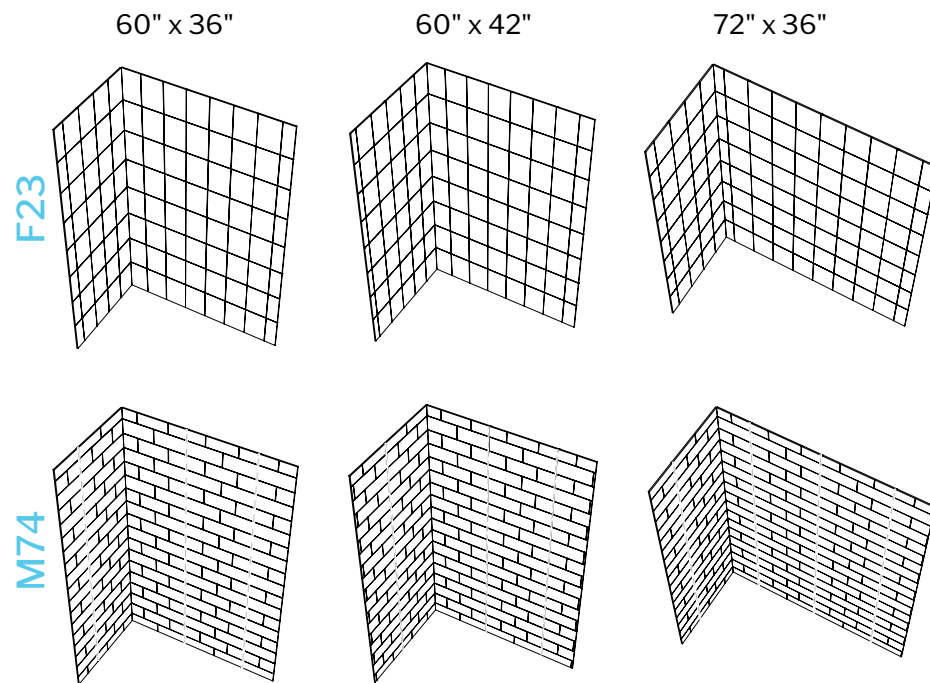
<p>Trim colour: insert code "14", "18" or "33"</p> <div style="display: flex; justify-content: space-around;"> <div style="text-align: center;"> <p>①</p>  <p>SANDBLASTED "14"</p> </div> <div style="text-align: center;">  <p>WHITE "18"</p> </div> <div style="text-align: center;">  <p>BLACK SATIN "33"</p> </div> </div> <p>1/2" x 9/16" L shaped profile - Length: 94 1/2"</p>	<p>Sealant colour: insert code "W" or "G"</p> <div style="display: flex; justify-content: space-around;"> <div style="text-align: center;"> <p>②</p>  <p>WHITE "W"</p> </div> <div style="text-align: center;">  <p>GREY "G"</p> </div> </div>
--------------------------------------------------------------------------------------------------------------------------------------------------------------------------------------------------------------------------------------------------------------------------------------------------------------------------------------------------------------------------------------------------------------------------------------------------------------------------------------------------------------------------------------------------------------------------------------------------------------------------------------------------------------	----------------------------------------------------------------------------------------------------------------------------------------------------------------------------------------------------------------------------------------------------------------------------------------------------------------------------------------------------------------------------------------------------------------------------------

Large trims are available. See page 10 for more information.

4 PANELS



5 PANELS



Tile patterns shown are a representation of what will be achieved for each model and size when Fleurco installation manuals are followed.

Panels are to be cut to fit each space.

Pattern schematic can be redesigned by adding extra panels. Contact customer service for more information.

See Bases booklet or contact customer service for compatible base models.



CORNER 2 WALLS



FIBO CORNER 4 PANEL

MODEL	PRICE	PATTERN	FITS STANDARD BASE	WALL DIMENSIONS*
FBC-4PAN-3091-F23	\$1,758	Denver White	36" x 36" 38" x 38"	35 1/2"W x 35 1/2"D x 94 1/2"H 37 1/2"W x 37 1/2"D x 94 1/2"H
FBC-4PAN-3091-M74	\$2,068	Denver White	42" x 42"	41 1/2"W x 41 1/2"D x 94 1/2"H

*Measured on backing board.
For non-standard dimensions, please contact customer service.

+ FIBO INSTALL KIT
THIS IS MANDATORY

MODEL

FB2-S-INSTALLKIT- ① - ②

INSTALL KIT

INSTALL KIT INCLUDES FIBO CLEAN, FIBO WIPES, FIBO SEAL, FIBO SEALING TOOLS, SCREWS



Shipping and packaging charges may apply when sold separately.



FIBO INSTALL GRIP CAN BE PURCHASED SEPARATELY (FB-GRIP \$55)

ACCENT PANELS

12" Standard Accent Panel

OPTIONAL

MODEL	PRICE	PATTERN
FB-ACCENT-4943	\$268	Grey Concrete
FB-ACCENT-1066	\$268	Black Slate
FB-ACCENT-4091	\$268	White Slate

INSTALL KIT OPTIONS

Trim colour: insert code "14", "18" or "33"

①



SANDBLASTED "14"



WHITE "18"

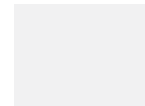


BLACK SATIN "33"

1/2" x 9/16" L shaped profile - Length: 94 1/2"

Sealant colour: insert code "W" or "G"

②



WHITE "W"



GREY "G"

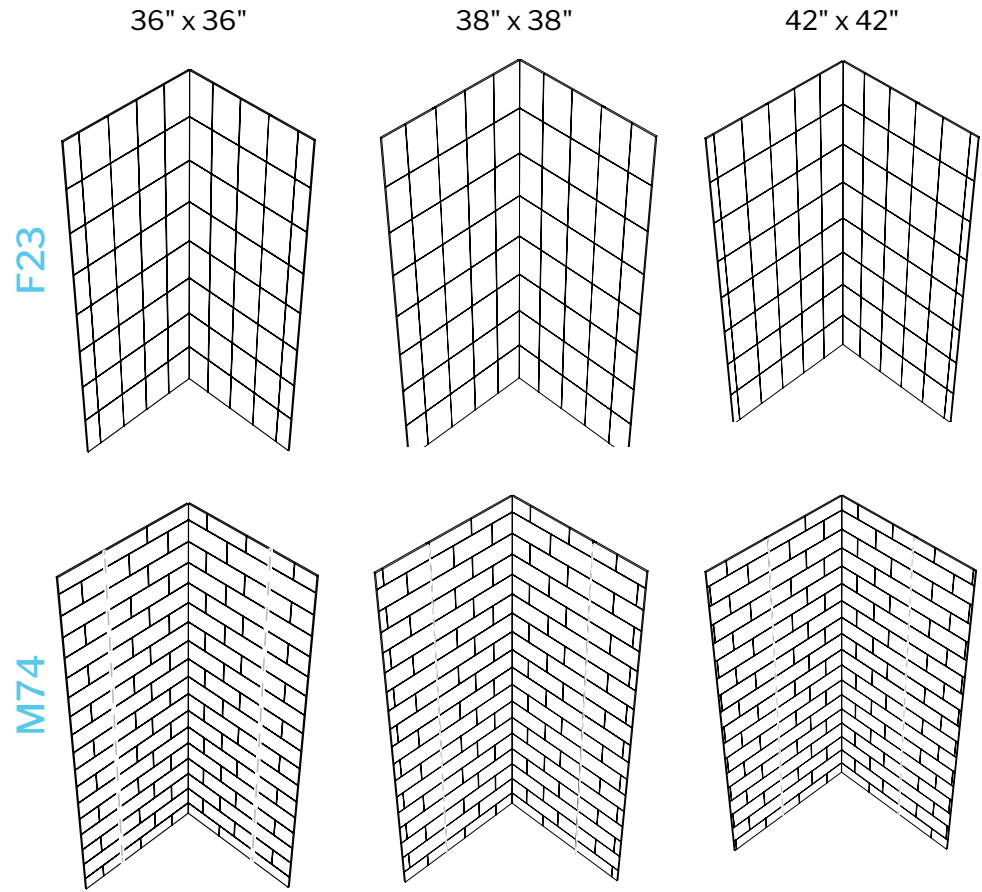
ADDITIONAL LARGE TRIMS



LARGE L-SHAPED FINISHING PROFILE

CODE	COLOUR	DIMENSIONS	PRICE
FB-LLTRIM-14-94	SANDBLASTED	1/2" x 1" L SHAPED PROFILE LENGTH: 94 1/2"	\$38
FB-LLTRIM-18-94	WHITE	1/2" x 1" L SHAPED PROFILE LENGTH: 94 1/2"	\$38
FB-LLTRIM-33-94	BLACK SATIN	1/2" x 1" L SHAPED PROFILE LENGTH: 94 1/2"	\$38

4 PANELS



Tile patterns shown are a representation of what will be achieved for each model and size when Fleurco installation manuals are followed.

Panels are to be cut to fit each space.

Pattern schematic can be redesigned by adding extra panels. Contact customer service for more information.

See Bases booklet or contact customer service for compatible base models.

MANUFACTURERS LIMITED LIFETIME WARRANTY RESIDENTIAL APPLICATION IN USA AND CANADA

FIBO AS ("WE") WARRANTS THAT DURING THE WARRANTY PERIOD SPECIFIED BELOW, FIBO WALL PANELS AND KITCHEN BOARDS (INDIVIDUALLY AND COLLECTIVELY, THE "PRODUCT") WILL BE FREE FROM DEFECTS IN MATERIALS AND MANUFACTURE IN ACCORDANCE WITH THE TERMS OF THIS LIMITED WARRANTY.

THIS LIMITED WARRANTY CAN ALSO BE FOUND ONLINE AT FIBOSYSTEMUSA.COM AND FIBOSYSTEMCANADA.COM

WHO MAY BENEFIT FROM THIS LIMITED WARRANTY?

We extend this limited warranty only to the consumer who purchased the Product for installation in the original location of residential installation ("you"). It does not extend to any subsequent owner of the Product. For clarity, we extend this limited warranty to a consumer who purchased the Product through a commercial purchaser (such as a contractor) for installation in the original location of residential installation.

WHAT DOES THIS LIMITED WARRANTY COVER?

The Product will not delaminate, stain, fade or crack during the Warranty Period as a result of defects in materials and/or manufacture of the Product, when properly installed in accordance with Fibo's installation instructions and cared for in accordance with Fibo's instructions for "Cleaning and Maintenance" or "Product Guide."

WHAT DOES THIS LIMITED WARRANTY NOT COVER?

This limited warranty does not cover items such as sealant, profiles or installations screws. This limited warranty does not cover any damage due to:

- abuse, misuse, or improper installation;
- failure to follow the product instructions or to perform preventive maintenance;
- incorrect seal or modifications;
- unauthorized repair;
- external causes such as natural events, fire, accidents, infestation and other actions or events beyond our reasonable control;
- use in vicinity of high moisture (e.g. swimming pool, hot tub) or extreme heat (e.g. spa, sauna, steam room);
- use outdoors;
- movement of the building due to land slip, failure of a foundation or the underlining building structure; or
- normal wear and tear.

This limited warranty does not cover any labor or other costs of removal or installation.

WHAT IS THE PERIOD OF COVERAGE?

This limited warranty starts on the date of your purchase and lasts for the lifetime (to a maximum of 50 years) of the installation for residential applications (the "Warranty Period"). The Warranty Period is not extended if we repair or replace the Product.

We may change the period of coverage or other terms of this limited warranty at our discretion. The version of the terms applicable to you is the version in effect when you purchased the Product.

WHAT ARE YOUR REMEDIES UNDER THIS LIMITED WARRANTY?

If, after inspection by an authorized Fibo representative, we determine a Product is defective during the Warranty Period, we will, in our sole discretion, either: (a) repair or replace such Product (or the defective portion), or (b) refund the purchase price of such Product [amortized over 50 years]. We retain the right to replace the Product with a similar product.

Fibo's option to repair or replace the Products under this limited warranty does not cover labor or other costs of removal or installation.

HOW DO YOU OBTAIN WARRANTY SERVICE?

To obtain warranty service, you must, during the Warranty Period, either

- email our Customer Service Department at info@fibosystem.com, or
- contact the dealer from whom you purchased the Product, and submit your claim, include information about what type of defect, number of panels, Fibo invoice number and/or code on back of panel.

LIMITATION OF LIABILITY CANADA AND USA. THIS CLAUSE IS NOT APPLICABLE TO CONSUMERS RESIDING IN QUEBEC OR OTHER JURISDICTIONS WHERE PROHIBITED BY LAW:

TO THE EXTENT NOT PROHIBITED BY LAW, THIS WARRANTY IS EXCLUSIVE AND IN LIEU OF ALL OTHER WARRANTIES AND CONDITIONS, ORAL, WRITTEN, STATUTORY, EXPRESS OR IMPLIED. EXCEPT FOR THE EXPRESS WARRANTIES CONTAINED IN THIS LIMITED WARRANTY STATEMENT AND TO THE EXTENT NOT PROHIBITED BY LAW, WE DISCLAIM ALL OTHER WARRANTIES AND CONDITIONS, EXPRESSED OR IMPLIED, STATUTORY OR OTHERWISE, INCLUDING WITHOUT LIMITATION, THE WARRANTIES OF MERCHANTABILITY AND FITNESS FOR A PARTICULAR PURPOSE. SOME JURISDICTIONS (i.e. SOME US STATES OR TERRITORIES OR CANADIAN PROVINCES OR TERRITORIES) DO NOT ALLOW DISCLAIMERS OF IMPLIED WARRANTIES, OR CONDITIONS, SO THIS DISCLAIMER MAY NOT APPLY TO YOU. TO THE EXTENT SUCH WARRANTIES OR CONDITIONS CANNOT BE DISCLAIMED UNDER THE LAWS OF YOUR JURISDICTION, WE LIMIT THE DURATION AND REMEDIES OF SUCH WARRANTIES TO THE DURATION OF THIS EXPRESS LIMITED WARRANTY.

THE REMEDIES DESCRIBED ABOVE ARE YOUR SOLE AND EXCLUSIVE REMEDIES AND OUR ENTIRE LIABILITY FOR ANY BREACH OF THIS LIMITED WARRANTY. OUR LIABILITY SHALL UNDER NO CIRCUMSTANCES EXCEED THE ACTUAL AMOUNT PAID BY YOU FOR THE DEFECTIVE PRODUCT, NOR SHALL WE UNDER ANY CIRCUMSTANCES BE LIABLE FOR ANY CONSEQUENTIAL, INCIDENTAL, SPECIAL OR PUNITIVE DAMAGES OR LOSSES, WHETHER DIRECT OR INDIRECT. SOME JURISDICTIONS DO NOT ALLOW THE EXCLUSION OR LIMITATION OF INCIDENTAL OR CONSEQUENTIAL DAMAGES, SO THE ABOVE LIMITATION OR EXCLUSION MAY NOT APPLY TO YOU.

THIS LIMITED WARRANTY GIVES YOU SPECIFIC LEGAL RIGHTS AND YOU MAY ALSO HAVE OTHER RIGHTS, WHICH VARY FROM JURISDICTION TO JURISDICTION.

Published by:

Fibo AS
Industriveien 2
4580 Lyngdal
Norway

Version 2, Effective Date: August 19, 2020

MANUFACTURERS LIMITED 25 YEAR WARRANTY COMMERCIAL PURCHASE FOR NON-RESIDENTIAL IN USA AND CANADA



WALL SYSTEMS

FIBO AS ("WE") WARRANTS THAT DURING THE WARRANTY PERIOD SPECIFIED BELOW, FIBO WALL PANELS AND KITCHEN BOARDS (INDIVIDUALLY AND COLLECTIVELY, THE "PRODUCT") WILL BE FREE FROM DEFECTS IN MATERIALS AND MANUFACTURE IN ACCORDANCE WITH THE TERMS OF THIS LIMITED WARRANTY.

THIS LIMITED WARRANTY CAN ALSO BE FOUND ONLINE AT FIBOSYSTEMUSA.COM AND FIBOSYSTEMCANADA.COM

WHO MAY USE THIS LIMITED 25 YEAR WARRANTY?

We extend this limited warranty only to the commercial (non-consumer) purchaser for non-residential applications who purchased the Product for installation in the original location of installation ("you"). This warranty applies only to commercial purchases of the Product for non-residential applications. It does not extend to any subsequent owner of the Product.

For residential application of the product, please see Manufacturers limited lifetime warranty: Residential application in USA and Canada.

WHAT DOES THIS LIMITED 25 YEAR WARRANTY COVER?

The Product will not delaminate, stain, fade or crack during the Warranty Period as a result of defects in materials and/or manufacture of the Product, when properly installed in accordance with Fibo's installation instructions and cared for in accordance with Fibo's instructions for "Cleaning and Maintenance" or "Product Guide."

WHAT DOES THIS LIMITED 25 YEAR WARRANTY NOT COVER?

This limited warranty does not cover items such as sealant, profiles or installations screws. This limited warranty does not cover any damage due to:

- abuse, misuse, or improper installation;
- failure to follow the product instructions or to perform preventive maintenance;
- incorrect seal or modifications;
- unauthorized repair;
- external causes such as natural events, fire, accidents, infestation and other actions or events beyond our reasonable control;
- use in vicinity of high moisture (e.g. swimming pool, hot tub) or extreme heat (e.g. spa, sauna, steam room);
- use outdoors;
- movement of the building due to land slip, failure of a foundation or the underlining building structure; or
- normal wear and tear.

This limited warranty does not cover any labor or other costs of removal or installation.

WHAT IS THE PERIOD OF COVERAGE?

This limited warranty is valid for 25 years starting on the date of purchase of the Product (the "Warranty Period"). The Warranty Period is not extended if we repair or replace the Product.

We may change the period of coverage or other terms of this limited warranty at our discretion. The version of the terms applicable to you is the version in effect when you purchased the Product.

WHAT ARE YOUR REMEDIES UNDER THIS LIMITED WARRANTY?

If, after inspection by an authorized Fibo representative, we determine a Product is defective during the Warranty Period, we will, in our sole discretion, either: (a) repair or replace such Product (or the defective portion), or (b) refund the purchase price of such Product [amortized over 25 years]. We retain the right to replace the Product with a similar product.

Fibo's option to repair or replace the Products under this limited warranty does not cover labor or other costs of removal or installation.

HOW DO YOU OBTAIN WARRANTY SERVICE?

To obtain warranty service, you must, during the Warranty Period, either

- email our Customer Service Department at info@fibosystem.com, or
- contact the dealer from whom you purchased the Product, and submit your claim, include information about what type of defect, number of panels, Fibo invoice number and/or code on back of panel.

LIMITATION OF LIABILITY CANADA AND USA. THIS CLAUSE IS NOT APPLICABLE TO CONSUMERS RESIDING IN QUEBEC OR OTHER JURISDICTIONS WHERE PROHIBITED BY LAW:

TO THE EXTENT NOT PROHIBITED BY LAW, THIS WARRANTY IS EXCLUSIVE AND IN LIEU OF ALL OTHER WARRANTIES AND CONDITIONS, ORAL, WRITTEN, STATUTORY, EXPRESS OR IMPLIED. EXCEPT FOR THE EXPRESS WARRANTIES CONTAINED IN THIS LIMITED WARRANTY STATEMENT AND TO THE EXTENT NOT PROHIBITED BY LAW, WE DISCLAIM ALL OTHER WARRANTIES AND CONDITIONS, EXPRESSED OR IMPLIED, STATUTORY OR OTHERWISE, INCLUDING WITHOUT LIMITATION, THE WARRANTIES OF MERCHANTABILITY AND FITNESS FOR A PARTICULAR PURPOSE. SOME JURISDICTIONS (i.e. SOME US STATES OR TERRITORIES OR CANADIAN PROVINCES OR TERRITORIES) DO NOT ALLOW DISCLAIMERS OF IMPLIED WARRANTIES, OR CONDITIONS, SO THIS DISCLAIMER MAY NOT APPLY TO YOU. TO THE EXTENT SUCH WARRANTIES OR CONDITIONS CANNOT BE DISCLAIMED UNDER THE LAWS OF YOUR JURISDICTION, WE LIMIT THE DURATION AND REMEDIES OF SUCH WARRANTIES TO THE DURATION OF THIS EXPRESS LIMITED WARRANTY.

THE REMEDIES DESCRIBED ABOVE ARE YOUR SOLE AND EXCLUSIVE REMEDIES AND OUR ENTIRE LIABILITY FOR ANY BREACH OF THIS LIMITED WARRANTY. OUR LIABILITY SHALL UNDER NO CIRCUMSTANCES EXCEED THE ACTUAL AMOUNT PAID BY YOU FOR THE DEFECTIVE PRODUCT, NOR SHALL WE UNDER ANY CIRCUMSTANCES BE LIABLE FOR ANY CONSEQUENTIAL, INCIDENTAL, SPECIAL OR PUNITIVE DAMAGES OR LOSSES, WHETHER DIRECT OR INDIRECT. SOME JURISDICTIONS DO NOT ALLOW THE EXCLUSION OR LIMITATION OF INCIDENTAL OR CONSEQUENTIAL DAMAGES, SO THE ABOVE LIMITATION OR EXCLUSION MAY NOT APPLY TO YOU.

THIS LIMITED WARRANTY GIVES YOU SPECIFIC LEGAL RIGHTS AND YOU MAY ALSO HAVE OTHER RIGHTS, WHICH VARY FROM JURISDICTION TO JURISDICTION.

Published by:

Fibo AS
Industriveien 2
4580 Lyngdal
Norway

Version 2, Effective Date: August 19, 2020