



This interactive PDF allows you to click on a vent hood and go directly to the Vent a Hood website for additional information including installation instructions, technical specifications and ducting and parts information. This interactive price book is Copyright Protected and is for the sole use of Distinctive Appliances Distributing and its authorized dealers only.

U.S. MAP PRICE BOOK

April, 2021



**Distinctive
Appliances**

DistributingINC.

DISTINCTIVE APPLIANCES DISTRIBUTING
51155 Grand River Avenue
Wixom MI 48393

TELEPHONE: 844-380-2007

www.distinctiveappliances.net

Notes

This April 15, 2021 price book includes the following updates:

- 5% Price Increase
- Rust Vein has been removed as a metal finish option.
- Black Carbide is now a standard color option, no charge finish.
- New products added: PH128PSLD, BH140PSLD and a BH152PSLD
- Added a PDL14
- Added an EPH18-M
- Added an EPH18-M-32D



This Interactive PDF ©Distinctive Appliances Distributing 2021



TERMS AND CONDITIONS OF SALE

1. Prices:
 - a. All prices are subject to change at any time without notice.
 - b. All prices are F.O.B. Vent-A-Hood® Company, Richardson, Texas.
2. Cancellation
 - a. Hoods which are fabricated to purchase orders are non-cancelable upon acceptance by the factory.
 - b. Any change orders must be confirmed in writing to Distinctive Appliances Distributing at the address below and are subject to our ability to conform.

Distinctive Appliances Distributing
51155 Grand River Avenue
Wixom, MI 48393
3. Returns:
 - a. No merchandise may be returned without an authorized written Sales Return Order with shipping instructions.
 - b. Authorized returns are subject to a minimum 25% restocking charge and freight charges.
 - c. Special order items are not subject to return or cancellation.
4. Quick Ship:
 - a. Shaded boxed prices in this document indicate quick ship products. Quick ship products are typically stocked or manufactured within two weeks. Quick ship painted product finishes include black, gunsmoke, and white.
5. Vent-A-Hood® Warranty
 - a. Vent-A-Hood® merchandise is manufactured in accordance with Vent-A-Hood®'s high standards and carries a limited warranty.
 - b. **VENT-A-HOOD® MAGIC LUNG® WARRANTY:**

Vent-A-Hood® warrants to the original consumer-purchaser its Magic Lung® products to be free of defects in material and workmanship for a period of five years on parts and one year on labor from the date of purchase with the following limitations:

 - A. Freight damage
 - B. Blower wheel damage
 - C. Light bulbs
 - D. Damage or malfunction caused by faulty installation
 - E. Incidental or consequential damage
 - F. Commercial application
 - G. Misapplication or modification of or to any part of the Vent-A-Hood® product
 - c. **VENT-A-HOOD® V-LINE, ARS, M SERIES, AND REMOTE BLOWER WARRANTY:**

Vent-A-Hood warrants to the original consumer-purchaser its products to be free of defects in material and workmanship for a period of one year from the date of purchase with the following limitations:

 - A. Freight damage
 - B. Blower wheel damage
 - C. Light bulbs
 - D. Damage or malfunction caused by faulty installation
 - E. Incidental or consequential damage
 - F. Commercial application
 - G. Misapplication or modification of or to any part of the Vent-A-Hood® product
 - d. To make a warranty claim, contact the dealer where the hood was purchased. They will contact the appropriate service agents. It is not necessary to register the product directly with Vent-A-Hood®.
 - e. Additional terms and conditions may apply.



**Distinctive
Appliances**

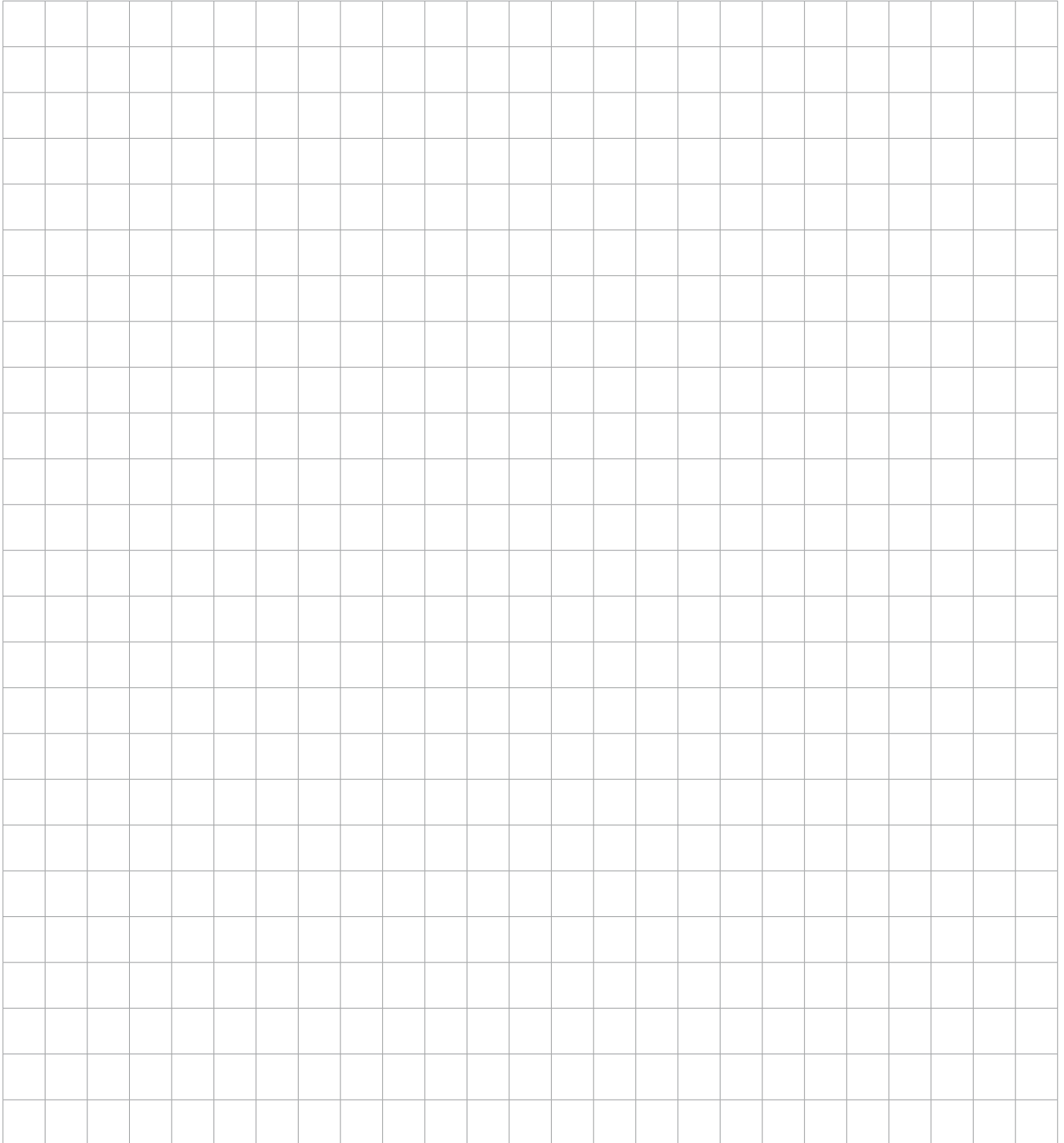
DistributingINC.

TABLE OF CONTENTS - BY APPLICATION/HOOD TYPE

MAGIC LUNG®	7	OTHER ISLAND STYLES	40
UNDER CABINET	8	LINER INSERTS	41
PRH9	8	WALL MOUNT LINER INSERTS	41
NPH9	8	BHSLD	41
SLH9	8	BHPSLD	41
XRH9	9	BHPSLB	41
CLH9	9	TLH	42
JCWR9	9	ISLAND LINER INSERTS	43
WALL MOUNT	10	THSLE	43
PROFESSIONAL/STANDARD WALL MOUNT	10	THPSLE	43
PRH18	10	CUSTOM LINER INSERTS	44
NPH18	10	BH-LD	44
SLH18	10	BH-LB	44
XRH18	11	TH-LC	45
DAH18	11	TH-LE	45
PWVH18	11	OTHER ITEMS	46
CXH30	13	BLOWER OPTIONS	46
DAH30	13	REMOTE BLOWERS	47
PWVH30	13	SPLASH PANELS	48
SLH30	14	WARMING LAMPS & SHELVES	49
AH12	15	ACCESSORY RAIL	50
CWH	16	BBQ EXTENSION	51
DESIGNER SERIES WALL MOUNT	17	BANDS, FINISHES, & POT RAILS	52
JCH/A1	17	BAND & LIP TREATMENT ATTACHMENTS	53
JCH/B1	18	DESIGNER SERIES HOOD TRIMS	54
JCH/C1	19	POWER LUNG	56
JCH/C2	20	UNDER CABINET	57
JDH/C1	20	PRH6-K	57
JDH/C2	20	SLH6-K	57
JDH/C3	21	WALL MOUNT LINER INSERT	57
JPH/C1	21	KHSLD	57
JPH/C2	21	CONTEMPORARY WALL MOUNT	58
JCWR18	22	CWEH6-K	58
WALL MOUNT CROWNS	23	GTH-K	58
CRN-D6H	23	CONTEMPORARY ISLAND	58
CRN-P6H	23	CIEH6-K	58
CRN-S6H	24	EURO-STYLE WALL MOUNT	59
CRN-S4H	24	PDH7-K	59
CRN-S3H	24	PDH14-K	59
CONTEMPORARY WALL MOUNT	25	ARS DUCT FREE	60
CWEH9	25	UNDER CABINET	61
CWLH9	25	PRAH6-K	61
CWSH3	26	SLAH6-K	61
XLH12	27	WALL MOUNT LINER INSERT	61
ZTH	28	KAHSLD	61
EURO-STYLE WALL MOUNT	29	CONTEMPORARY WALL MOUNT	62
PDH14	29	CWEAH6-K	62
PDL14	29	CONTEMPORARY ISLAND	62
SLDH14	29	CIEAH6-K	62
EPH18	30	EURO-STYLE WALL MOUNT	63
EPTH18	30	PDAH7-K	63
NEPH18	30	PDAH14-K	63
NEPTH18	30	EURO-STYLE ISLAND	64
SEPH18	31	PYDAH18-K	64
SEPTH18	31	ISDAH18-K	64
ISLAND	32	M SERIES	65
DESIGNER SERIES ISLAND	32	PROFESSIONAL WALL MOUNT	66
JCIH/A1	32	PRH18-M	66
JCIH/B1	32	PRH18-M 30D	66
JCIH/C1	33	CXH18-M	66
JDIH/C1	34	M.SERIES EURO-STYLE WALL MOUNT	67
JDIH/C2	34	EPH18-M	67
JDIH/C3	35	EPH18-M 32D	67
CONTEMPORARY ISLAND	36	WALL MOUNT LINER INSERTS	68
CIEH9	36	MSLD	68
CILH9	36	MPSLD	68
IZTH	37	PARTS & ACCESSORIES	70
EURO-STYLE ISLAND	38	VENTING ACCESSORIES	70
PYDH18	38	REPLACEMENT PARTS	71
ISDH18	38		
EPIH18	38		
SEPIH18	38		
EPITH18	39		
SEPIH18	39		

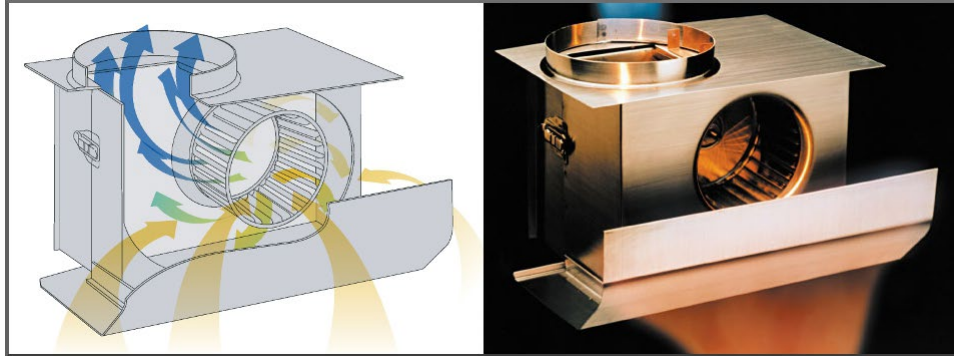
TABLE OF CONTENTS - BY MODEL NUMBER

AH12	15	PWVH30	13
BH-LB	44	PYDAH18-K	64
BH-LD	44	PYDH18	38
BHPSLB	41	SEPH18	31
BHPSLD	41	SEPIH18	38
BHSLD	41	SEPITH18	39
CIEAH6-K	62	SEPTH18	31
CIEH6-K	58	SLAH6-K	61
CIEH9	36	SLDH14	29
CILH9	36	SLH6-K	57
CLH9	9	SLH9	8
CWEAH6-K	62	SLH18	10
CWEH6-K	58	SLH30	14
CWEH9	25	TH-LC	45
CWH	16	TH-LE	45
CWLH9	25	THPSLE	43
CWSH3	26	THSLE	43
CXH18-M	66	TLH	42
CXH30	13	XLH12	27
DAH18	11	XRH9	9
DAH30	13	XRH18	11
EPH18	30	ZTH	28
EPH18-M	67		
EPH18-M 32D	67		
EPIH18	38		
EPITH18	39		
EPTH18	30		
GTH-K	58		
ISDAH18-K	64		
ISDH18	38		
IZTH	37		
JCH/A1	17		
JCH/B1	18		
JCH/C1	19		
JCH/C2	20		
JCIH/A1	32		
JCIH/B1	32		
JCIH/C1	33		
JCWR9	9		
JCWR18	22		
JDH/C1	20		
JDH/C2	20		
JDH/C3	21		
JDIH/C1	34		
JDIH/C2	34		
JDIH/C3	35		
JPH/C1	21		
JPH/C2	21		
KAHSLD	61		
KHSLD	57		
MPSLD	68		
MSLD	68		
NEPH18	30		
NEPTH18	30		
NPH9	8		
NPH18	10		
PDAH7-K	63		
PDAH14-K	63		
PDH7-K	59		
PDH14	29		
PDH14-K	59		
PDL14	29		
PRAH6-K	61		
PRH6-K	57		
PRH9	8		
PRH18	10		
PRH18-M	66		
PRH18-M 30D	66		
PWVH18	11		



Vent-A-Hood®

MAGIC LUNG® RANGE HOODS



VENT-A-HOOD® MAGIC LUNG® WHISPER QUIET TECHNOLOGY

The patented Magic Lung® blower system sets Vent-A-Hood's kitchen ventilation systems apart from all other range hoods and range canopies. The Magic Lung has become an industry standard in range hood blower technology, and stands up against the rest.

Here are 5 top reasons to purchase a stove top vent with the Magic Lung over any other brand:

QUIET

Turn on a Vent-A-Hood® and you'll hear only a whisper of air movement, because the Magic Lung® system provides the quietest kitchen ventilation available. Vent-A-Hood's with the Magic Lung® range hood technology also feature SensaSource®. SensaSource® raises the blower speed from low to high based on temperature for optimal grease control, fire safety, and even quieter operation.

How quiet is a Vent-A-Hood®? The test results shown below were generated at a certified independent industry testing lab. All tests were measured at full speed to demonstrate the most accurate sound rating (other manufacturers may use lower speeds for testing which don't reflect accurate operating sound levels).

MAGIC LUNG® SOUND TABLE*

300 CFM Magic Lung® Blower	5.4 Sones (At High)
600 CFM Magic Lung® Blower	6.5 Sones (At High)
900 CFM Magic Lung® Blower	6.3 Sones (At High)
1200 CFM Magic Lung® Blower	6.6 Sones (At High)

Vent-A-Hood's® Magic Lung® "multi-blower technology" allows CFM to double, triple, or quadruple with very little effect on sound levels.

*Ratings in accordance with the Standard Test Code by the Energy Systems Laboratory of the Texas Engineering Experiment Station.

EFFICIENT

The powerful Magic Lung® blower traps all cooking contaminants, liquefies grease vapor, and removes heat-polluted air. The Magic Lung® blower combines sufficient air pressure and constant speed with centrifugal filtration. Because it doesn't pull air through a filter it is the most efficient kitchen ventilation available today.

EASY-CLEANING

The Magic Lung® housing snaps apart for easy cleaning in the dishwasher or with warm, soapy water. Moreover, the Magic Lung® is the only ventilation system that collects the grease in an easily cleaned housing rather than in hard-to-reach areas behind a mesh or baffle filter.

FIRE-SAFETY

The Magic Lung® is the only residential kitchen ventilation system on the market today that prevents fire from spreading to the rest of the home. Constant speed creates centrifugal pressure that prevents fire from entering the ductwork. As needed, SensaSource® increases blower speed to its normal level to maintain this safety feature.

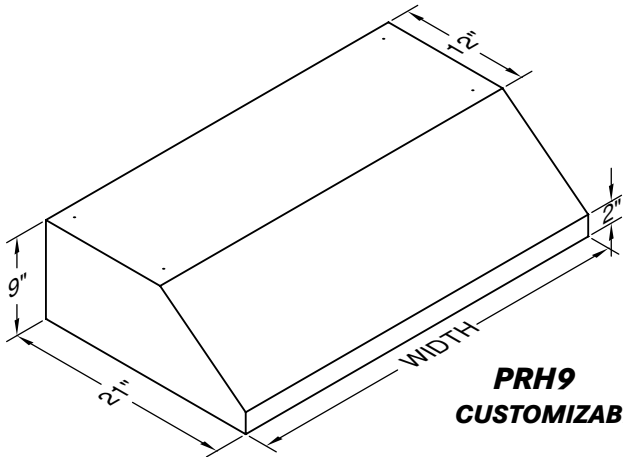
POWERFUL

Magic Lung® blowers can be configured to provide the power you need for even the most demanding residential cooking surfaces. Each highly efficient Magic Lung® blower supplies 300 CFM of air movement. Multiple blowers can be combined in a single Vent-A-Hood® to create the perfect kitchen ventilation for your cooking surface.

UNDER CABINET

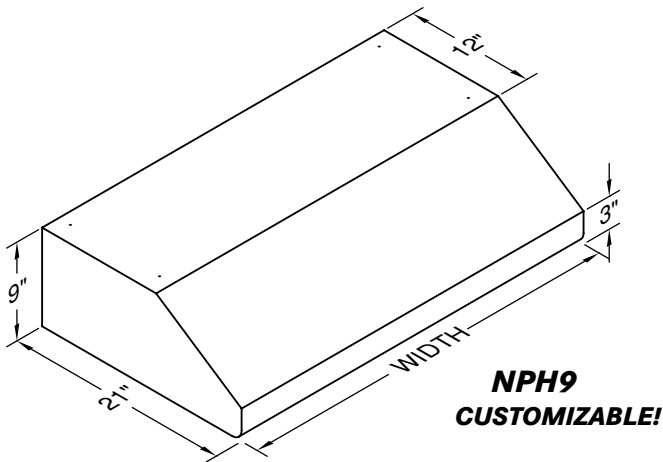
REC. MOUNTING HEIGHT FROM
COOKING SURFACE: 24"-27"

900 CFM OPTIONAL TRANSITION TO 10" ROUND: VP562
1200 CFM OPTIONAL TRANSITION TO 12" ROUND: VP563



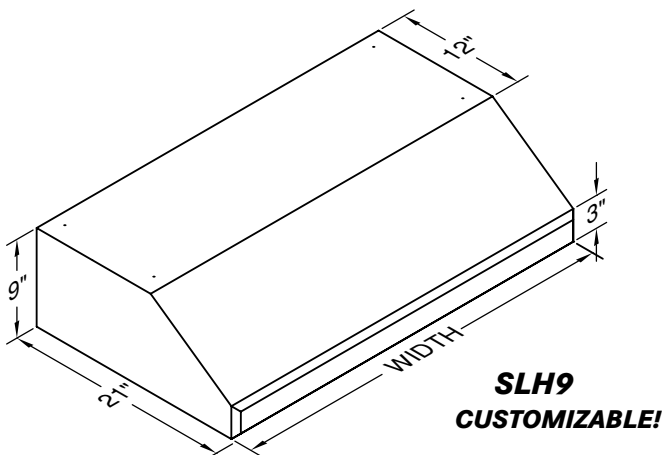
PRH9						
Model No.	CFM	Width	Painted	Stainless	Overlay*	#Lts
PRH9-130	300	30"	875	1,112	1,689	2
PRH9-136		36"	875	1,112	1,689	2
PRH9-142		42"	1,041	1,278	1,906	3
PRH9-148		48"	1,095	1,333	1,959	3
PRH9-230	600	30"	1,259	1,529	2,069	2
PRH9-236		36"	1,259	1,529	2,069	2
PRH9-242		42"	1,422	1,696	2,287	3
PRH9-248		48"	1,475	1,749	2,340	3
PRH9-342	900	42"	1,826	2,194	2,691	3
PRH9-348		48"	1,879	2,249	2,744	3
PRH9-448	1200	48"	2,260	2,665	3,125	3

*FOR OVERLAY MODELS, SPECIFY INTERIOR COLOR.



NPH9						
Model No.	CFM	Width	Painted	Stainless	Overlay*	#Lts
NPH9-130	300	30"	1,062	1,402	2,074	2
NPH9-136		36"	1,062	1,402	2,074	2
NPH9-142		42"	1,279	1,648	2,370	3
NPH9-148		48"	1,344	1,714	2,449	3
NPH9-230	600	30"	1,442	1,819	2,455	2
NPH9-236		36"	1,442	1,819	2,455	2
NPH9-242		42"	1,660	2,064	2,750	3
NPH9-248		48"	1,725	2,131	2,829	3
NPH9-342	900	42"	2,064	2,564	3,155	3
NPH9-348		48"	2,129	2,630	3,234	3
NPH9-448	1200	48"	2,509	3,047	3,614	3

*FOR OVERLAY MODELS, SPECIFY INTERIOR COLOR.



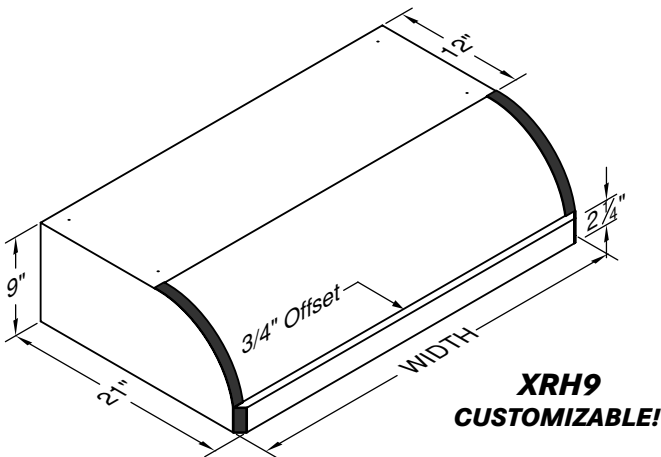
SLH9						
Model No.	CFM	Width	Painted	Stainless	Overlay*	#Lts
SLH9-130	300	30"	1,062	1,402	2,074	2
SLH9-136		36"	1,062	1,402	2,074	2
SLH9-142		42"	1,279	1,648	2,370	3
SLH9-148		48"	1,344	1,714	2,449	3
SLH9-230	600	30"	1,442	1,819	2,455	2
SLH9-236		36"	1,442	1,819	2,455	2
SLH9-242		42"	1,660	2,064	2,750	3
SLH9-248		48"	1,725	2,131	2,829	3
SLH9-342	900	42"	2,064	2,564	3,155	3
SLH9-348		48"	2,129	2,630	3,234	3
SLH9-448	1200	48"	2,509	3,047	3,614	3

*FOR OVERLAY MODELS, SPECIFY INTERIOR COLOR.

UNDER CABINET

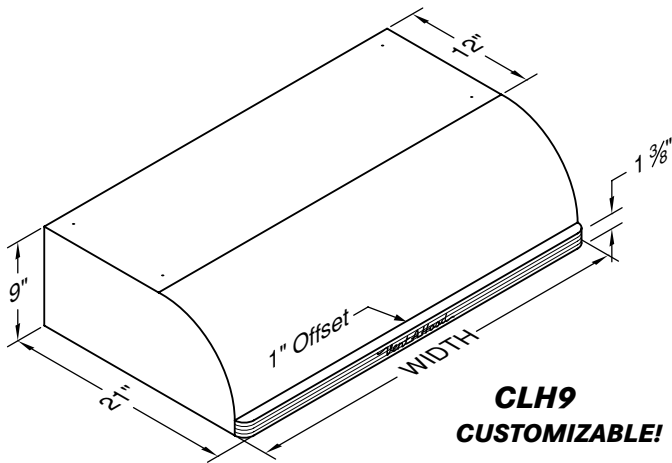
REC. MOUNTING HEIGHT FROM
COOKING SURFACE: 24"-27"

900 CFM OPTIONAL TRANSITION TO 10" ROUND: VP562
1200 CFM OPTIONAL TRANSITION TO 12" ROUND: VP563

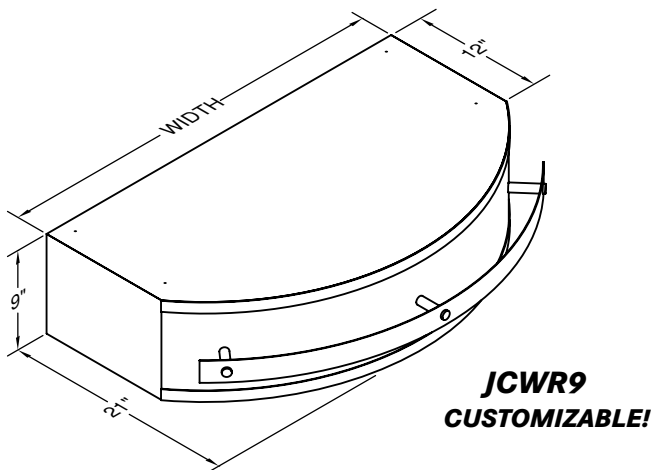


XRH9						
Model No.	CFM	Width	Painted	Stainless	Overlay*	#Lts
XRH9-130	300	30"	1,112	1,474	2,185	2
XRH9-136		36"	1,112	1,474	2,185	2
XRH9-142		42"	1,308	1,688	2,421	3
XRH9-148		48"	1,377	1,756	2,502	3
XRH9-230	600	30"	1,493	1,893	2,566	2
XRH9-236		36"	1,493	1,893	2,566	2
XRH9-242		42"	1,689	2,104	2,802	3
XRH9-248		48"	1,757	2,173	2,883	3
XRH9-342	900	42"	2,093	2,604	3,206	3
XRH9-348		48"	2,162	2,672	3,287	3
XRH9-448	1200	48"	2,542	3,089	3,667	3

*FOR OVERLAY MODELS, SPECIFY INTERIOR COLOR.
*THERE ARE NO STANDARD BANDS ON OVERLAY MODELS.
1" SS BANDS INCLUDED ON PAINTED AND STAINLESS MODELS.



CLH9				
Model No.	CFM	Width	Painted	#Lts
CLH9-130	300	30"	1,112	2
CLH9-136		36"	1,112	2
CLH9-142		42"	1,308	3
CLH9-148		48"	1,377	3
CLH9-230	600	30"	1,493	2
CLH9-236		36"	1,493	2
CLH9-242		42"	1,689	3
CLH9-248		48"	1,757	3
CLH9-342	900	42"	2,093	3
CLH9-348		48"	2,162	3
CLH9-448	1200	48"	2,542	3



JCWR9				
Model No.	CFM	Width	Stainless	#Lts
JCWR9-130	300	30"	1,927	2
JCWR9-136		36"	1,940	2
JCWR9-142		42"	2,164	3
JCWR9-148		48"	2,246	3
JCWR9-230	600	30"	2,306	2
JCWR9-236		36"	2,321	2
JCWR9-242		42"	2,545	3
JCWR9-248		48"	2,626	3
JCWR9-342	900	42"	2,949	3
JCWR9-348		48"	3,031	3
JCWR9-448	1200	48"	3,412	3

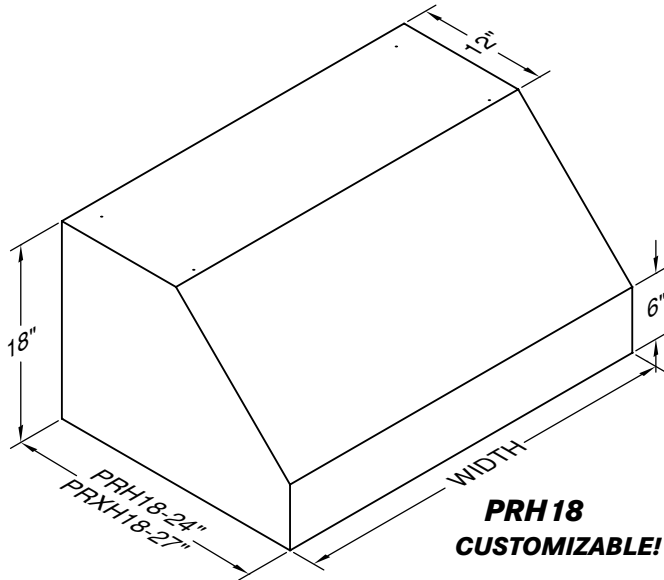
9" TALL UNDER CABINET VARIATIONS

WIDTHS OVER 48"				SPECIAL BLOWER LOCATION
FOR EACH 6" INCREMENT	PAINTED 145	STAINLESS 196	OVERLAY 235	LEFT TO RIGHT, SPECIFY COLLAR CENTERLINE
PLUS		237		ADD 237
SPECIAL WIDTH (LESS THAN 48")				REMOTE BLOWER OPTIONS
USE NEXT LARGEST SIZE ON PRICE LIST,				SEE PAGES 46-47 FOR REMOTE BLOWER OPTIONS
PLUS		237		TRIM OPTIONS
STAINLESS STEEL INTERIOR ON OVERLAY HOOD				XR HOOD TRIM, NON-STANDARD COLOR 118
SUBTRACT PAINTED HOOD PRICE FROM STAINLESS HOOD PRICE				JCWR9/XR HOOD TRIM, REMOVE 118
CUSTOM COLOR (SEE CUSTOM COLOR CHART)				SEE PAGES 52-53 FOR FINISH AND TRIM OPTIONS
ADD		714		WARMING LAMPS AND SHELVES
				SEE PAGES 49 FOR WARMING LAMP AND SHELF OPTIONS

PROFESSIONAL/STANDARD WALL MOUNT

REC. MOUNTING HEIGHT FROM
COOKING SURFACE: 30"

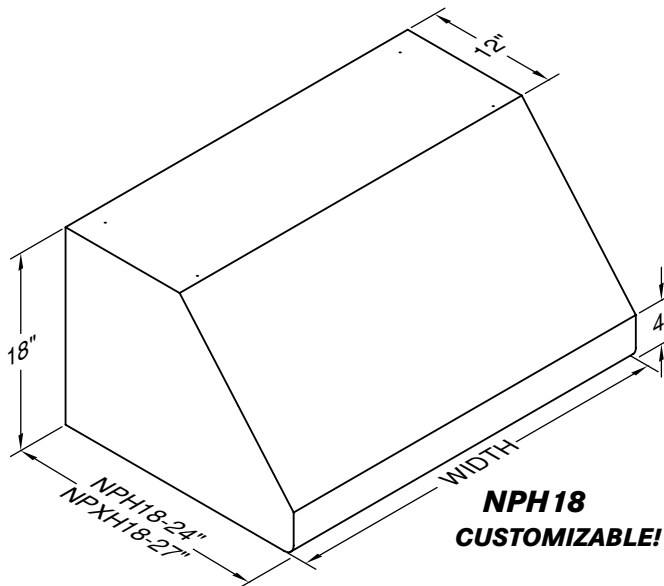
900 CFM OPTIONAL TRANSITION TO 10" ROUND: VP562
1200 CFM OPTIONAL TRANSITION TO 12" ROUND: VP563



PRH18/PRXH18

Model No.	CFM	Width	Painted	Stainless	Overlay*	# Lts
PRH18-130	300	30"	1,282	1,757	2,649	2
PRH18-136		36"	1,307	1,782	2,762	2
PRH18-142		42"	1,493	1,943	3,050	3
PRH18-148		48"	1,570	2,057	3,202	3
PRH18-230	600	30"	1,663	2,174	3,029	2
PRH18-236		36"	1,688	2,198	3,142	2
PRH18-242		42"	1,873	2,359	3,431	3
PRH18-248		48"	2,014	2,473	3,582	3
PRH18-254	900	54"	2,288	2,988	4,187	4
PRH18-342		42"	2,277	2,859	3,835	3
PRH18-348		48"	2,353	2,973	3,987	3
PRH18-354		54"	2,692	3,488	4,591	4
PRH18-360	1200	60"	2,907	3,780	4,957	4
PRH18-448		48"	2,734	3,389	4,367	3
PRH18-454		54"	3,072	3,904	4,970	4
PRH18-460		60"	3,288	4,197	5,338	4
PRH18-466	66"	3,426	4,284	5,628	4	

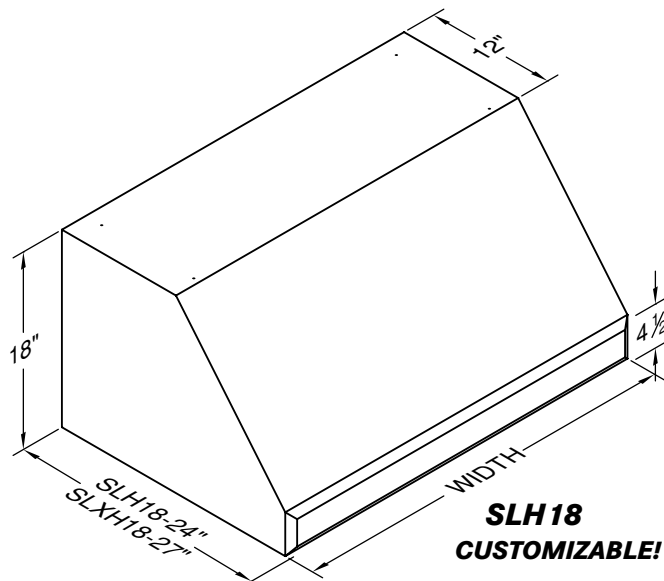
USE PRXH18 MODEL NUMBER PREFIX FOR 27" DEPTH PROJECTION.
*FOR OVERLAY MODELS, SPECIFY INTERIOR COLOR.



NPH18/NPXH18

Model No.	CFM	Width	Painted	Stainless	Overlay*	# Lts
NPH18-130	300	30"	1,712	2,237	3,079	2
NPH18-136		36"	1,739	2,263	3,194	2
NPH18-142		42"	1,987	2,436	3,481	3
NPH18-148		48"	1,999	2,537	3,630	3
NPH18-230	600	30"	2,093	2,655	3,459	2
NPH18-236		36"	2,117	2,680	3,573	2
NPH18-242		42"	2,304	2,853	3,860	3
NPH18-248		48"	2,380	2,953	4,012	3
NPH18-254	900	54"	2,718	3,419	4,616	4
NPH18-342		42"	2,708	3,353	4,266	3
NPH18-348		48"	2,784	3,453	4,416	3
NPH18-354		54"	3,122	3,919	5,022	4
NPH18-360	1200	60"	3,337	4,209	5,401	4
NPH18-448		48"	3,165	3,871	4,797	3
NPH18-454		54"	3,502	4,335	5,401	4
NPH18-460		60"	3,718	4,626	5,782	4
NPH18-466	66"	3,871	4,802	6,060	4	

USE NPXH18 MODEL NUMBER PREFIX FOR 27" DEPTH PROJECTION.
*FOR OVERLAY MODELS, SPECIFY INTERIOR COLOR.



SLH18/SLXH18

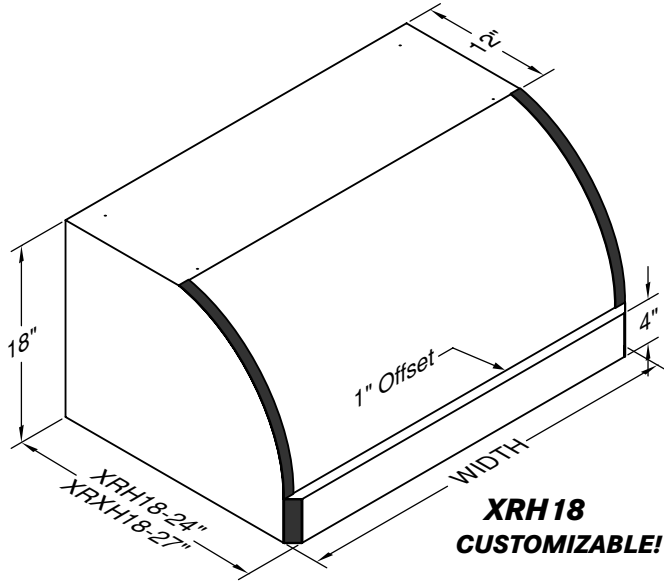
Model No.	CFM	Width	Painted	Stainless	Overlay*	# Lts
SLH18-130	300	30"	1,712	2,237	3,079	2
SLH18-136		36"	1,739	2,263	3,194	2
SLH18-142		42"	1,987	2,436	3,481	3
SLH18-148		48"	1,999	2,537	3,630	3
SLH18-230	600	30"	2,093	2,655	3,459	2
SLH18-236		36"	2,117	2,680	3,573	2
SLH18-242		42"	2,304	2,853	3,860	3
SLH18-248		48"	2,380	2,953	4,012	3
SLH18-254	900	54"	2,718	3,419	4,616	4
SLH18-342		42"	2,708	3,353	4,266	3
SLH18-348		48"	2,784	3,453	4,416	3
SLH18-354		54"	3,122	3,919	5,022	4
SLH18-360	1200	60"	3,337	4,209	5,401	4
SLH18-448		48"	3,165	3,871	4,797	3
SLH18-454		54"	3,502	4,335	5,401	4
SLH18-460		60"	3,718	4,626	5,782	4
SLH18-466	66"	3,871	4,802	6,060	4	

USE SLXH18 MODEL NUMBER PREFIX FOR 27" DEPTH PROJECTION.
*FOR OVERLAY MODELS, SPECIFY INTERIOR COLOR.

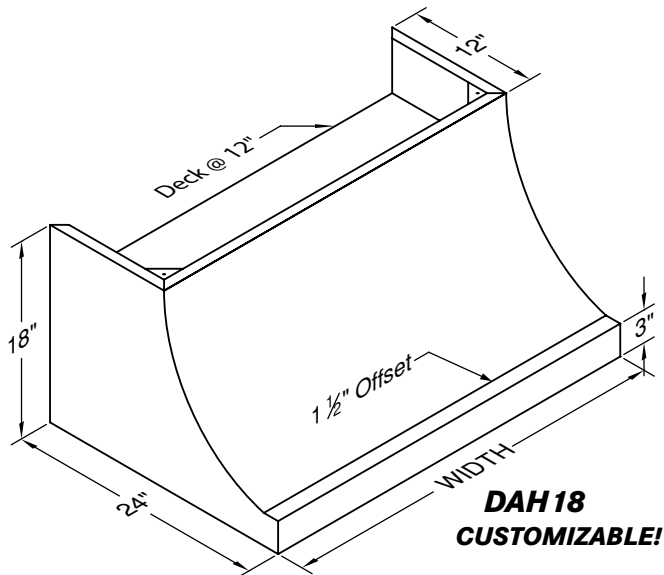
PROFESSIONAL/STANDARD WALL MOUNT

REC. MOUNTING HEIGHT FROM COOKING SURFACE: 30"

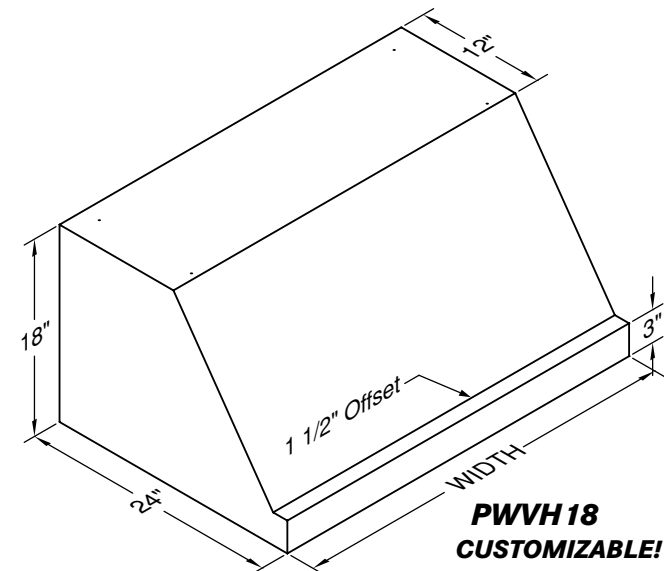
900 CFM OPTIONAL TRANSITION TO 10" ROUND: VP562
1200 CFM OPTIONAL TRANSITION TO 12" ROUND: VP563



**XRH 18
CUSTOMIZABLE!**



**DAH 18
CUSTOMIZABLE!**



**PWVH 18
CUSTOMIZABLE!**

XRH18/XRXH18

Model No.	CFM	Width	Painted	Stainless	Overlay*	# Lts
XRH 18-130	300	30"	1,712	2,237	3,079	2
XRH 18-136		36"	1,739	2,263	3,194	2
XRH 18-142		42"	1,987	2,436	3,481	3
XRH 18-148		48"	1,999	2,537	3,630	3
XRH 18-230	600	30"	2,093	2,655	3,459	2
XRH 18-236		36"	2,117	2,680	3,573	2
XRH 18-242		42"	2,304	2,853	3,860	3
XRH 18-248		48"	2,380	2,953	4,012	3
XRH 18-254	900	54"	2,718	3,419	4,616	4
XRH 18-342		42"	2,708	3,353	4,266	3
XRH 18-348		48"	2,784	3,453	4,416	3
XRH 18-354		54"	3,122	3,919	5,022	4
XRH 18-360	1200	60"	3,337	4,209	5,401	4
XRH 18-448		48"	3,165	3,871	4,797	3
XRH 18-454		54"	3,502	4,335	5,401	4
XRH 18-460		60"	3,718	4,626	5,782	4
XRH 18-466		66"	3,871	4,802	6,060	4

USE XRXH18 MODEL NUMBER PREFIX FOR 27" DEPTH PROJECTION.
*FOR OVERLAY MODELS, SPECIFY INTERIOR COLOR.
•THERE ARE NO STANDARD BANDS ON OVERLAY MODELS.
1" SS BANDS INCLUDED ON PAINTED AND STAINLESS MODELS.

DAH 18

Model No.	CFM	Width	Painted	Stainless	Overlay*	# Lts
DAH 18-130	300	30"	1,964	2,519	3,405	2
DAH 18-136		36"	2,004	2,559	3,524	2
DAH 18-142		42"	2,194	2,725	3,821	3
DAH 18-148		48"	2,288	2,845	3,979	3
DAH 18-230	600	30"	2,344	2,935	3,785	2
DAH 18-236		36"	2,383	2,975	3,904	2
DAH 18-242		42"	2,575	3,141	4,202	3
DAH 18-248		48"	2,668	3,261	4,360	3
DAH 18-254	900	54"	3,005	3,745	4,988	4
DAH 18-342		42"	2,979	3,641	4,606	3
DAH 18-348		48"	3,072	3,761	4,764	3
DAH 18-354		54"	3,409	4,245	5,392	4
DAH 18-360	1200	60"	3,634	4,550	5,775	4
DAH 18-448		48"	3,453	4,177	5,145	3
DAH 18-454		54"	3,790	4,662	5,773	4
DAH 18-460		60"	4,014	4,966	6,155	4
DAH 18-466		66"	4,159	5,154	6,460	4

*FOR OVERLAY MODELS, SPECIFY INTERIOR COLOR.

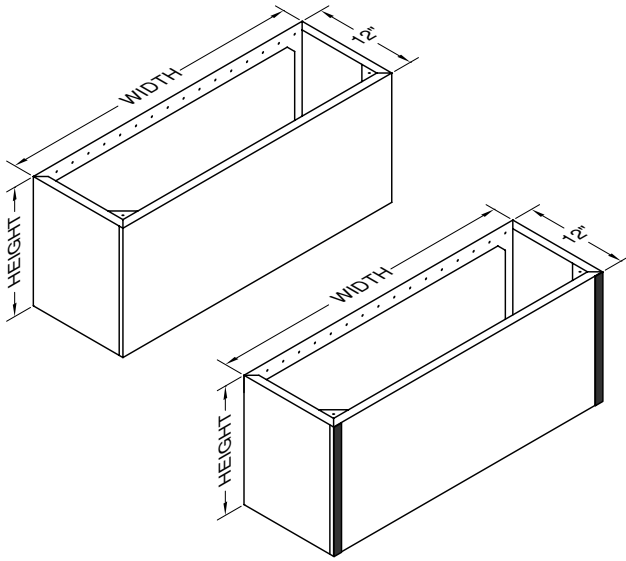
PWVH 18

Model No.	CFM	Width	Painted	Stainless	Overlay*	# Lts
PWVH18-130	300	30"	1,964	2,519	3,405	2
PWVH18-136		36"	2,004	2,559	3,524	2
PWVH18-142		42"	2,194	2,725	3,821	3
PWVH18-148		48"	2,288	2,845	3,979	3
PWVH18-230	600	30"	2,344	2,935	3,785	2
PWVH18-236		36"	2,383	2,975	3,904	2
PWVH18-242		42"	2,575	3,141	4,202	3
PWVH18-248		48"	2,668	3,261	4,360	3
PWVH18-254	900	54"	3,005	3,745	4,988	4
PWVH18-342		42"	2,979	3,641	4,606	3
PWVH18-348		48"	3,072	3,761	4,764	3
PWVH18-354		54"	3,409	4,245	5,392	4
PWVH18-360	1200	60"	3,634	4,550	5,775	4
PWVH18-448		48"	3,453	4,177	5,145	3
PWVH18-454		54"	3,790	4,662	5,773	4
PWVH18-460		60"	4,014	4,966	6,155	4
PWVH18-466		66"	4,159	5,154	6,460	4

*FOR OVERLAY MODELS, SPECIFY INTERIOR COLOR.

PROFESSIONAL/STANDARD WALL MOUNT DUCT COVERS

REC. MOUNTING HEIGHT FROM
COOKING SURFACE: 30"



WDCRND/XDCRND

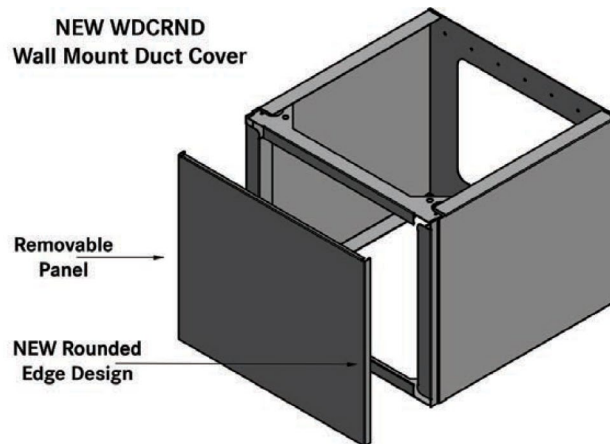
Model No.	Width	Height	Painted	Stainless	Overlay	Ceiling
WDCRND-30	30"	12"	576	680	838	8'
WDCRND-30/24		24"	759	956	1,282	9'
WDCRND-30/36		36"	928	1,243	1,714	10'
WDCRND-36	36"	12"	615	732	928	8'
WDCRND-36/24		24"	824	1,073	1,453	9'
WDCRND-36/36		36"	1,047	1,413	1,976	10'
WDCRND-42	42"	12"	655	798	1,007	8'
WDCRND-42/24		24"	903	1,191	1,623	9'
WDCRND-42/36		36"	1,152	1,583	2,238	10'
WDCRND-48	48"	12"	680	851	1,099	8'
WDCRND-48/24		24"	968	1,296	1,806	9'
WDCRND-48/36		36"	1,257	1,741	2,499	10'
WDCRND-54	54"	12"	719	903	1,191	8'
WDCRND-60	60"	12"	759	956	1,282	8'
WDCRND-66	66"	12"	798	1,021	1,361	8'
CUSTOM	WIDTH X HEIGHT X		0.49	0.79	1.23	
	PLUS		405			
FINISHED TOP	WIDTH X DEPTH X		0.49	0.79	1.23	
	PLUS		237			
SLOPED TOP*	ADD		405			

USE XDCRND MODEL NUMBER PREFIX FOR XRH18/XRXH18 HOODS.
1" SS BANDS INCLUDED ON PAINTED AND STAINLESS XDCRND MODELS.
CEILING BASED ON REC. MAXIMUM MOUNTING HEIGHT FOR 18" T WALL MOUNT HOOD.
*SPECIFY FRONT TO BACK OR LEFT TO RIGHT DIMENSIONS.

In 2020, Vent A Hood introduced a new wall mounted duct cover with a removable front panel that provides stronger support and easier installation than previous duct covers. The new model numbers start with "WDCRND" which means, Wall Duct Cover Removable New Design, followed by the numbers indicating width and height.

The removable panel provides easier access to mount the duct cover. The wall mounting is simple, easy and provides for a stronger structure. This is not available in contoured, convex or rounded duct covers.

NEW WDCRND Wall Mount Duct Cover



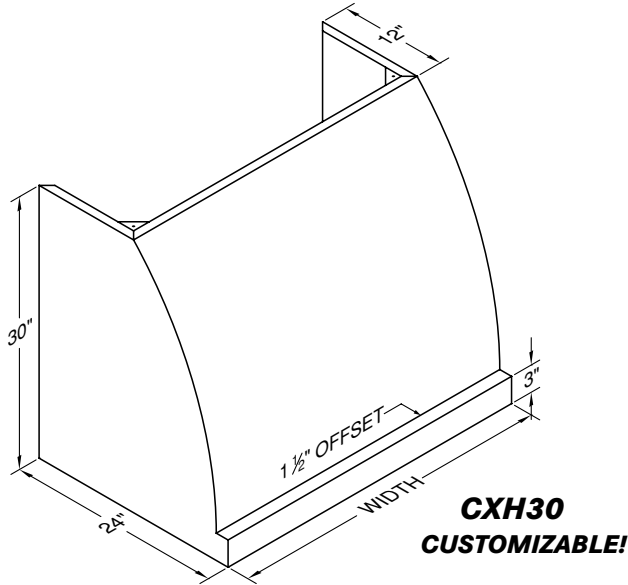
18" TALL WALL MOUNT HOOD VARIATIONS

WIDTHS OVER 66"				CLIPPED CORNER (NON-NP/SL/XR MODELS)	
FOR EACH 6" INCREMENT	PAINTED	STAINLESS	OVERLAY	PER CORNER, ADD	405
PLUS	184	263	327	SPECIAL BLOWER LOCATION	
SPECIAL WIDTH (LESS THAN 66")		237		LEFT TO RIGHT, SPECIFY COLLAR CENTERLINE	
USE NEXT LARGEST SIZE ON PRICE LIST,				ADD	237
PLUS		237		SPECIAL DECK (9" MINIMUM)	
SPECIAL HEIGHT (LESS THAN STANDARD HOOD HEIGHT)				ADD	237
USE STANDARD HOOD PRICE,		405		STAINLESS STEEL INTERIOR ON OVERLAY HOOD	
PLUS				SUBTRACT PAINTED HOOD PRICE FROM STAINLESS HOOD PRICE	
DEPTH OVER 24" (EXCLUDING 27" WHERE APPLICABLE)				ADDITIONAL BLOWERS & LIGHTS	
WIDTH X EXTRA DEPTH X	PAINTED	STAINLESS	OVERLAY	SEE PAGE 46 FOR BLOWER OPTIONS	
PLUS	1.17	1.72	2.34	REMOTE BLOWER OPTIONS	
SPECIAL DEPTH (LESS THAN 24")		405		SEE PAGES 46-47 FOR REMOTE BLOWER OPTIONS	
USE STANDARD HOOD PRICE,				CUSTOM COLOR (SEE CUSTOM COLOR CHART)	
PLUS		405		ADD	714
SLOPE, LIP, OFFSET, OR TOP VARIATION				TRIM OPTIONS	
PER VARIATION, ADD		405		XR HOOD TRIM, NON-STANDARD COLOR	118
CONCAVE, CONVEX, SLOPED END (NON-OVERLAY SL MODELS)				JCWR18/XR HOOD TRIM, REMOVE	118
TOP WIDTH REDUCED BY 6" EACH. PER END, ADD			405	SEE PAGES 52-53 FOR FINISH AND TRIM OPTIONS	
				WARMING LAMPS AND SHELVES	
				SEE PAGES 49 FOR WARMING LAMP AND SHELF OPTIONS	

PROFESSIONAL/STANDARD WALL MOUNT

REC. MOUNTING HEIGHT FROM
COOKING SURFACE: 30"

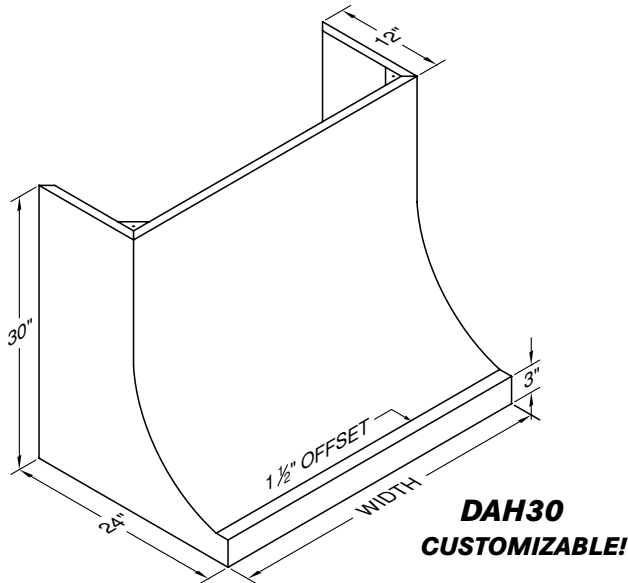
900 CFM OPTIONAL TRANSITION TO 10" ROUND: VP562
1200 CFM OPTIONAL TRANSITION TO 12" ROUND: VP563



CXH30

Model No.	CFM	Width	Painted	Stainless	Overlay*	# Lts
CXH30-130	300	30"	2,574	3,477	4,886	2
CXH30-136		36"	2,711	3,667	5,240	2
CXH30-142		42"	3,003	4,013	5,789	3
CXH30-148		48"	3,195	4,260	6,198	3
CXH30-230	600	30"	2,955	3,893	5,267	2
CXH30-236		36"	3,092	4,084	5,621	2
CXH30-242		42"	3,383	4,430	6,170	3
CXH30-248		48"	3,575	4,677	6,579	3
CXH30-254	900	54"	4,099	5,421	7,575	4
CXH30-342		42"	3,788	4,929	6,574	3
CXH30-348		48"	3,979	5,177	6,983	3
CXH30-354		54"	4,504	5,919	7,979	4
CXH30-360	1200	60"	4,860	6,397	8,634	4
CXH30-448		48"	4,360	5,593	7,364	3
CXH30-454		54"	4,884	6,337	8,360	4
CXH30-460		60"	5,240	6,814	9,012	4
CXH30-466		66"	5,499	7,170	9,570	4

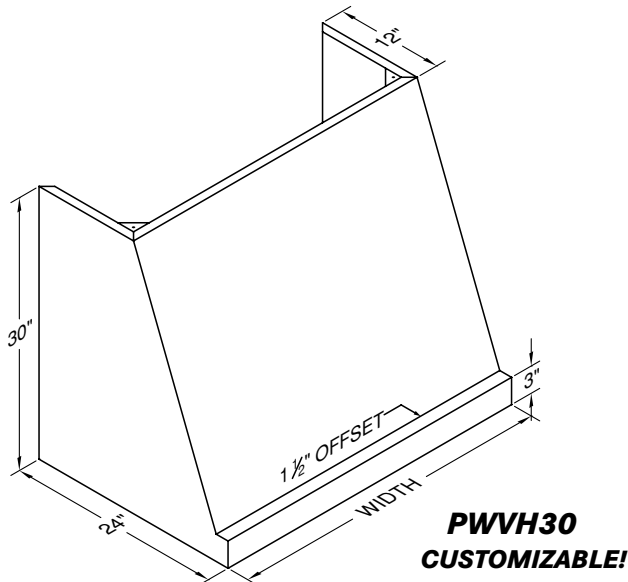
*FOR OVERLAY MODELS, SPECIFY INTERIOR COLOR.



DAH30

Model No.	CFM	Width	Painted	Stainless	Overlay*	# Lts
DAH30-130	300	30"	2,574	3,477	4,886	2
DAH30-136		36"	2,711	3,667	5,240	2
DAH30-142		42"	3,003	4,013	5,789	3
DAH30-148		48"	3,195	4,260	6,198	3
DAH30-230	600	30"	2,955	3,893	5,267	2
DAH30-236		36"	3,092	4,084	5,621	2
DAH30-242		42"	3,383	4,430	6,170	3
DAH30-248		48"	3,575	4,677	6,579	3
DAH30-254	900	54"	4,099	5,421	7,575	4
DAH30-342		42"	3,788	4,929	6,574	3
DAH30-348		48"	3,979	5,177	6,983	3
DAH30-354		54"	4,504	5,919	7,979	4
DAH30-360	1200	60"	4,860	6,397	8,634	4
DAH30-448		48"	4,360	5,593	7,364	3
DAH30-454		54"	4,884	6,337	8,360	4
DAH30-460		60"	5,240	6,814	9,012	4
DAH30-466		66"	5,499	7,170	9,570	4

*FOR OVERLAY MODELS, SPECIFY INTERIOR COLOR.



PWVH30

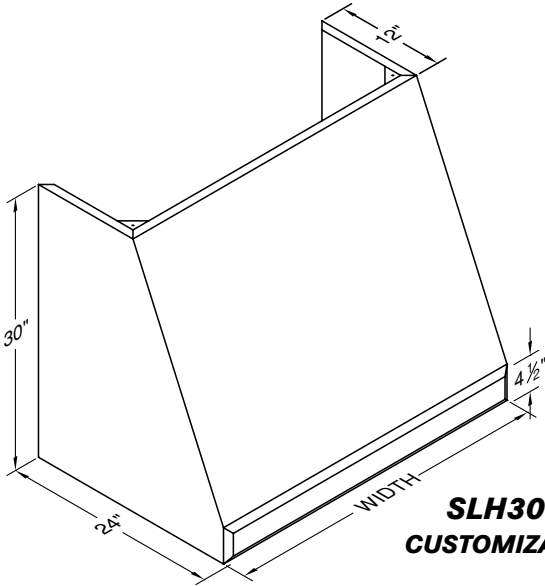
Model No.	CFM	Width	Painted	Stainless	Overlay*	# Lts
PWVH30-130	300	30"	2,574	3,477	4,886	2
PWVH30-136		36"	2,711	3,667	5,240	2
PWVH30-142		42"	3,003	4,013	5,789	3
PWVH30-148		48"	3,195	4,260	6,198	3
PWVH30-230	600	30"	2,955	3,893	5,267	2
PWVH30-236		36"	3,092	4,084	5,621	2
PWVH30-242		42"	3,383	4,430	6,170	3
PWVH30-248		48"	3,575	4,677	6,579	3
PWVH30-254	900	54"	4,099	5,421	7,575	4
PWVH30-342		42"	3,788	4,929	6,574	3
PWVH30-348		48"	3,979	5,177	6,983	3
PWVH30-354		54"	4,504	5,919	7,979	4
PWVH30-360	1200	60"	4,860	6,397	8,634	4
PWVH30-448		48"	4,360	5,593	7,364	3
PWVH30-454		54"	4,884	6,337	8,360	4
PWVH30-460		60"	5,240	6,814	9,012	4
PWVH30-466		66"	5,499	7,170	9,570	4

*FOR OVERLAY MODELS, SPECIFY INTERIOR COLOR.

PROFESSIONAL/STANDARD WALL MOUNT

REC. MOUNTING HEIGHT FROM COOKING SURFACE: 30"

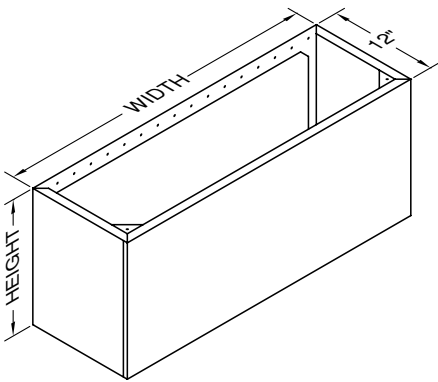
900 CFM OPTIONAL TRANSITION TO 10" ROUND: VP562
1200 CFM OPTIONAL TRANSITION TO 12" ROUND: VP563



SLH30

Model No.	CFM	Width	Painted	Stainless	Overlay*	# Lts
SLH30-130	300	30"	2,574	3,477	4,886	2
SLH30-136		36"	2,711	3,667	5,240	2
SLH30-142		42"	3,003	4,013	5,789	3
SLH30-148		48"	3,195	4,260	6,198	3
SLH30-230	600	30"	2,955	3,893	5,267	2
SLH30-236		36"	3,092	4,084	5,621	2
SLH30-242		42"	3,383	4,430	6,170	3
SLH30-248		48"	3,575	4,677	6,579	3
SLH30-254	900	54"	4,099	5,421	7,575	4
SLH30-342		42"	3,788	4,929	6,574	3
SLH30-348		48"	3,979	5,177	6,983	3
SLH30-354		54"	4,504	5,919	7,979	4
SLH30-360	1200	60"	4,860	6,397	8,634	4
SLH30-448		48"	4,360	5,593	7,364	3
SLH30-454		54"	4,884	6,337	8,360	4
SLH30-460		60"	5,240	6,814	9,012	4
SLH30-466		66"	5,499	7,170	9,570	4

*FOR OVERLAY MODELS, SPECIFY INTERIOR COLOR.



WDCRND

Model No.	Width	Height	Painted	Stainless	Overlay	Ceiling
WDCRND-30	30"	12"	576	680	838	9'
WDCRND-30/24		24"	759	956	1,282	10'
WDCRND-30/36		36"	928	1,243	1,714	11'
WDCRND-36	36"	12"	615	732	928	9'
WDCRND-36/24		24"	824	1,073	1,453	10'
WDCRND-36/36		36"	1,047	1,413	1,976	11'
WDCRND-42	42"	12"	655	798	1,007	9'
WDCRND-42/24		24"	903	1,191	1,623	10'
WDCRND-42/36		36"	1,152	1,583	2,238	11'
WDCRND-48	48"	12"	680	851	1,099	9'
WDCRND-48/24		24"	968	1,296	1,806	10'
WDCRND-48/36		36"	1,257	1,741	2,499	11'
WDCRND-54	54"	12"	719	903	1,191	9'
WDCRND-60	60"	12"	759	956	1,282	9'
WDCRND-66	66"	12"	798	1,021	1,361	9'
CUSTOM	WIDTH X HEIGHT X PLUS		0.49	0.79	1.23	405
FINISHED TOP	WIDTH X DEPTH X PLUS		0.49	0.79	1.23	237
SLOPED TOP*	ADD					405

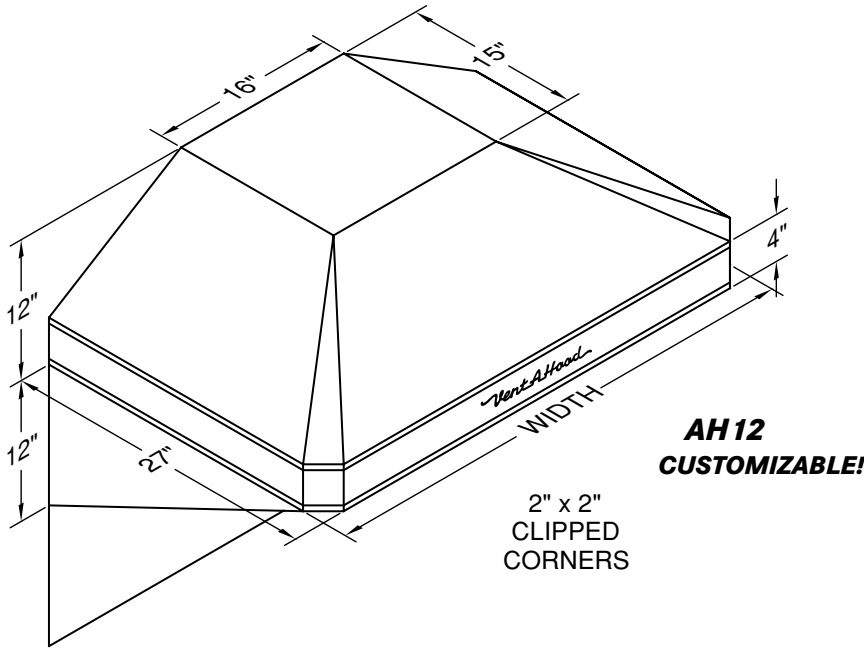
CEILING BASED ON REC. MAXIMUM MOUNTING HEIGHT FOR 30" WALL MOUNT HOOD.
*SPECIFY FRONT TO BACK OR LEFT TO RIGHT DIMENSIONS.

30" TALL WALL MOUNT HOOD VARIATIONS

WIDTHS OVER 66"				CONCAVE, CONVEX, SLOPED END (NON-OVERLAY SL MODELS)
FOR EACH 6" INCREMENT	PAINTED 184	STAINLESS 263	OVERLAY 327	TOP WIDTH REDUCED BY 6" EACH. PER END, ADD 405
PLUS		237		CLIPPED CORNER (NON-NP/SL/XR MODELS)
				PER CORNER, ADD 405
SPECIAL WIDTH (LESS THAN 66")				SPECIAL BLOWER LOCATION
USE NEXT LARGEST SIZE ON PRICE LIST, PLUS		237		LEFT TO RIGHT, SPECIFY COLLAR CENTERLINE
				ADD 237
HEIGHT OVER 30"				SPECIAL DECK (9" MINIMUM, 12" STANDARD)
WIDTH X EXTRA HEIGHT X PLUS	PAINTED 1.17	STAINLESS 1.72	OVERLAY 2.34	ADD 237
		405		STAINLESS STEEL INTERIOR ON OVERLAY HOOD
				SUBTRACT PAINTED HOOD PRICE FROM STAINLESS HOOD PRICE
SPECIAL HEIGHT (LESS THAN STANDARD HOOD HEIGHT)				ADDITIONAL BLOWERS & LIGHTS
USE STANDARD HOOD PRICE, PLUS		405		SEE PAGE 46 FOR BLOWER OPTIONS
				REMOTE BLOWER OPTIONS
				SEE PAGES 46-47 FOR REMOTE BLOWER OPTIONS
DEPTH OVER 24" (EXCLUDING 27" WHERE APPLICABLE)				CUSTOM COLOR (SEE CUSTOM COLOR CHART)
WIDTH X EXTRA DEPTH X PLUS	PAINTED 1.17	STAINLESS 1.72	OVERLAY 2.34	ADD 714
		405		TRIM OPTIONS
				SEE PAGES 52-53 FOR FINISH AND TRIM OPTIONS
SPECIAL DEPTH (LESS THAN 24")				WARMING LAMPS AND SHELVES
USE STANDARD HOOD PRICE, PLUS		405		SEE PAGES 49 FOR WARMING LAMP AND SHELF OPTIONS
SLOPE, LIP, OFFSET, OR TOP VARIATION				
PER VARIATION, ADD		405		

PROFESSIONAL/STANDARD WALL MOUNT

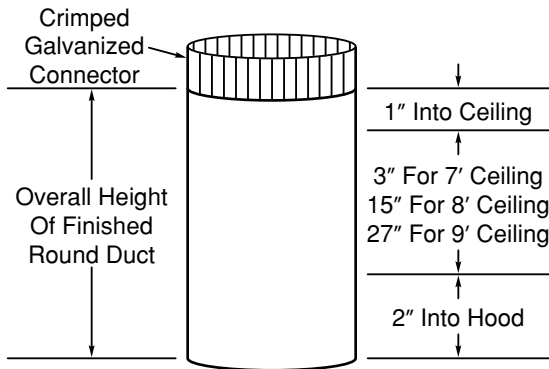
REC. MOUNTING HEIGHT FROM
COOKING SURFACE: 33"



AH12

Model No.	CFM	Width	Painted	# Lts
AH12-130	300	30"	1,809	2
AH12-136		36"	1,835	2
AH12-142		42"	2,032	3
AH12-148	600	48"	2,113	3
AH12-236		36"	2,216	2
AH12-242		42"	2,413	3
AH12-248		48"	2,494	3

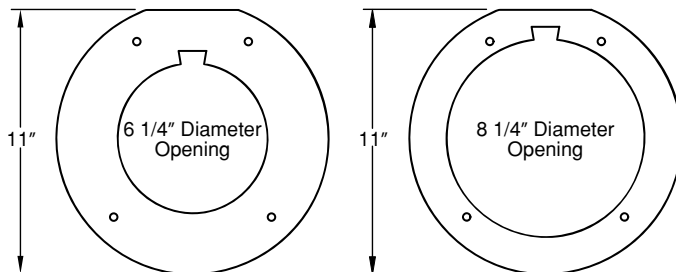
HOOD INCLUDES TWO SIDE WING PANELS AND SPLASH PANEL 30" TALL X WIDTH OF HOOD.



FINISHED DUCTS FOR AH12

Model No.	Width	Height	Painted	Ceiling
ARDC-6/6	6"	6"	79	7'
ARDC-6/18		18"	105	8'
ARDC-6/30		30"	130	9'
ARDC-8/6	8"	6"	79	7'
ARDC-8/18		18"	130	8'
ARDC-8/30		30"	158	9'
CUSTOM	WIDTH X HEIGHT X		0.49	
	PLUS		405	

NOTE: FINISHED ROUND DUCT EXTENDS 2" INTO TOP OF HOOD AND 1" INTO CEILING. CEILING BASED ON REC. MAXIMUM HOOD MOUNTING HEIGHT.



FINISHED DUCT ACCESSORIES

MODEL NO.	WIDTH	PAINTED
ARC6	6"	23
ARC8	8"	23

AH12 RETRO-STYLE WALL MOUNT HOOD VARIATIONS

SPECIAL WIDTH (LESS THAN 48")
USE NEXT LARGEST SIZE ON PRICE LIST,
PLUS

405

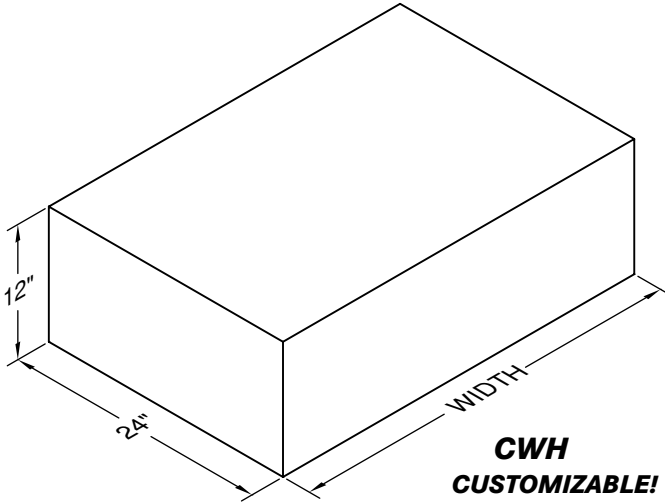
CUSTOM COLOR (SEE CUSTOM COLOR CHART)
ADD

714

PROFESSIONAL/STANDARD WALL MOUNT

REC. MOUNTING HEIGHT FROM
COOKING SURFACE: 30"

900 CFM OPTIONAL TRANSITION TO 10" ROUND: VP562
1200 CFM OPTIONAL TRANSITION TO 12" ROUND: VP563



		CWH					
Model No.	CFM	Width	Painted	Stainless	Overlay*	# Lts	
CWH-130	300	30"	1,693	2,341	3,198	2	
CWH-136		36"	1,719	2,381	3,326	2	
CWH-142		42"	1,933	2,581	3,656	3	
CWH-148		48"	2,022	2,684	3,836	3	
CWH-230	600	30"	2,073	2,759	3,578	2	
CWH-236		36"	2,100	2,798	3,706	2	
CWH-242		42"	2,313	2,998	4,037	3	
CWH-248		48"	2,403	3,100	4,216	3	
CWH-254		54"	2,861	3,726	4,881	4	
CWH-342	900	42"	2,718	3,497	4,441	3	
CWH-348		48"	2,807	3,600	4,621	3	
CWH-354		54"	3,265	4,226	5,285	4	
CWH-360		60"	3,484	4,521	5,683	4	
CWH-448	1200	48"	3,187	4,016	5,001	3	
CWH-454		54"	3,646	4,642	5,666	4	
CWH-460		60"	3,864	4,938	6,064	4	
CWH-466		66"	4,045	5,156	6,373	4	

*FOR OVERLAY MODELS, SPECIFY INTERIOR COLOR.

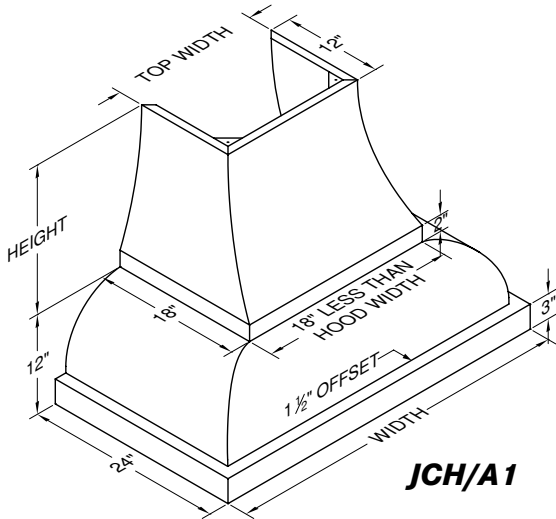
CWH WALL MOUNT HOOD VARIATIONS

WIDTHS OVER 66"				ROUNDED CORNER
FOR EACH 6" INCREMENT	PAINTED 184	STAINLESS 263	OVERLAY 327	NO OFFSETS OR LIP, MINIMUM 4 INCH RADIUS PER CORNER, ADD 459
PLUS		237		SPECIAL BLOWER LOCATION
SPECIAL WIDTH (LESS THAN 66")				LEFT TO RIGHT, SPECIFY COLLAR CENTERLINE ADD 237
USE NEXT LARGEST SIZE ON PRICE LIST, PLUS		237		SPECIAL DECK (9" MINIMUM)
SPECIAL HEIGHT (BETWEEN 9" & 12")				ADD 237
USE STANDARD PRICE, PLUS		405		STAINLESS STEEL INTERIOR ON OVERLAY HOOD
HEIGHT OVER 12"				SUBTRACT PAINTED HOOD PRICE FROM STAINLESS HOOD PRICE
WIDTH X EXTRA HEIGHT X	PAINTED 1.17	STAINLESS 1.72	OVERLAY 2.34	ADDITIONAL BLOWERS & LIGHTS
PLUS		405		SEE PAGE 46 FOR BLOWER OPTIONS
DEPTH LESS THAN 24"				REMOTE BLOWER OPTIONS
ADD		405		SEE PAGES 46-47 FOR REMOTE BLOWER OPTIONS
DEPTH OVER 24"				CUSTOM COLOR (SEE CUSTOM COLOR CHART)
WIDTH X EXTRA DEPTH X	PAINTED 1.17	STAINLESS 1.72	OVERLAY 2.34	ADD 714
PLUS		405		TRIM OPTIONS
LIP AND OFFSET				SEE PAGES 52-53 FOR FINISH AND TRIM OPTIONS
1, 2 OR 3 SIDES, ADD		405		WARMING LAMPS AND SHELVES
				SEE PAGES 49 FOR WARMING LAMP AND SHELF OPTIONS

DESIGNER SERIES WALL MOUNT

REC. MOUNTING HEIGHT FROM
COOKING SURFACE: 30"

900 CFM & 1200 CFM MODELS:
TRANSITION INCLUDED IN HOOD



JCH/A1

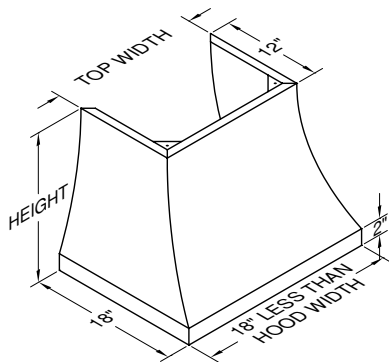
SHOWN WITH
MATCHING DUCT COVER (BELOW)
(SOLD SEPARATELY)

JCH/A1

Model No.	CFM	Width	Top W.	Painted	Stainless	Overlay*	# Lts
JCH136/A1	300	36"	18"	2,374	2,921	3,836	2
JCH142/A1		42"	24"	2,562	3,082	4,134	3
JCH148/A1		48"	30"	2,656	3,204	4,285	3
JCH236/A1	600	36"	18"	2,753	3,337	4,216	2
JCH242/A1		42"	24"	2,942	3,498	4,515	3
JCH248/A1		48"	30"	3,037	3,620	4,666	3
JCH348/A1	900*	48"	30"	3,441	4,120	5,070	3
JCH354/A1		54"	36"	4,077	4,911	5,992	4
JCH360/A1		60"	42"	4,227	5,116	6,306	4
JCH454/A1	1200+	54"	36"	4,456	5,327	6,373	4
JCH460/A1		60"	42"	4,607	5,534	6,687	4
JCH466/A1		66"	48"	4,788	5,774	7,017	4

*FOR OVERLAY HOODS, SPECIFY INTERIOR COLOR.
*VP562 TRANSITION TO 10" ROUND INCLUDED.
+VP563 TRANSITION TO 12" ROUND INCLUDED.

DUCT COVERS FOR JCH/A1



DUCT COVER

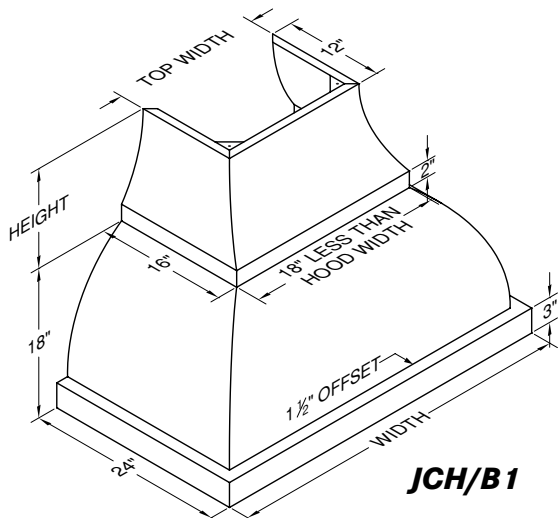
Model No.	Width	Top W.	Height	Painted	Stainless	Overlay*	Ceiling
CDC-18/12/18	18"	12"	18"	928	1,021	1,152	8'
CDC-18/12/30		12"	30"	1,348	1,505	1,741	9'
CDC-18/12/42		12"	42"	1,453	1,675	2,016	10'
CDC-24/12/18	24"	18"	18"	982	1,099	1,282	8'
CDC-24/12/30		12"	30"	1,440	1,650	1,964	9'
CDC-24/12/42		12"	42"	1,583	1,871	2,330	10'
CDC-30/12/18	30"	24"	18"	1,034	1,178	1,413	8'
CDC-30/12/30		12"	30"	1,532	1,792	2,185	9'
CDC-30/12/42		12"	42"	1,714	2,080	2,644	10'
CDC-36/12/18	36"	30"	18"	1,086	1,269	1,545	8'
CDC-36/12/30		18"	30"	1,623	1,937	2,409	9'
CDC-36/12/42		18"	42"	1,846	2,276	2,958	10'
CDC-42/12/18	42"	36"	18"	1,139	1,348	1,662	8'
CDC-42/12/30		24"	30"	1,714	2,080	2,644	9'
CDC-42/12/42		18"	42"	1,976	2,486	3,258	10'
CDC-48/12/18	48"	42"	18"	1,191	1,427	1,792	8'
CDC-48/12/30		30"	30"	1,806	2,225	2,865	9'
CDC-48/12/42		24"	42"	2,106	2,683	3,572	10'

*TRIM REQUIRED ON MODELS EXCEEDING 35" WIDTH AND 30" HEIGHT.
CEILING BASED ON REC. MAXIMUM HOOD MOUNTING HEIGHT.

DESIGNER SERIES WALL MOUNT

REC. MOUNTING HEIGHT FROM
COOKING SURFACE: 30"

900 CFM & 1200 CFM MODELS:
TRANSITION INCLUDED IN HOOD



JCH/B1

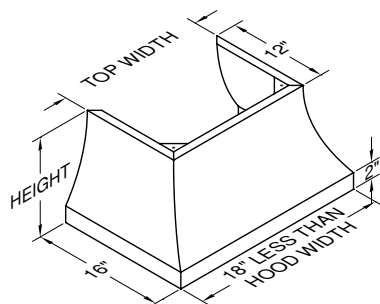
SHOWN WITH
MATCHING DUCT COVER
(SOLD SEPARATELY)

JCH/B1

Model No.	CFM	Width	Top W.	Painted	Stainless	Overlay*	# Lts
JCH136/B1	300	36"	18"	2,374	2,921	3,836	2
JCH142/B1		42"	24"	2,562	3,082	4,134	3
JCH148/B1		48"	30"	2,656	3,204	4,285	3
JCH236/B1	600	36"	18"	2,753	3,337	4,216	2
JCH242/B1		42"	24"	2,942	3,498	4,515	3
JCH248/B1		48"	30"	3,037	3,620	4,666	3
JCH348/B1	900*	48"	30"	3,441	4,120	5,070	3
JCH354/B1		54"	36"	4,077	4,911	5,992	4
JCH360/B1		60"	42"	4,227	5,116	6,306	4
JCH454/B1	1200+	54"	36"	4,456	5,327	6,373	4
JCH460/B1		60"	42"	4,607	5,534	6,687	4
JCH466/B1		66"	48"	4,788	5,774	7,017	4

*FOR OVERLAY HOODS, SPECIFY INTERIOR COLOR.
*VP562 TRANSITION TO 10" ROUND INCLUDED.
+VP563 TRANSITION TO 12" ROUND INCLUDED.

DUCT COVERS FOR JCH/B1



DUCT COVER

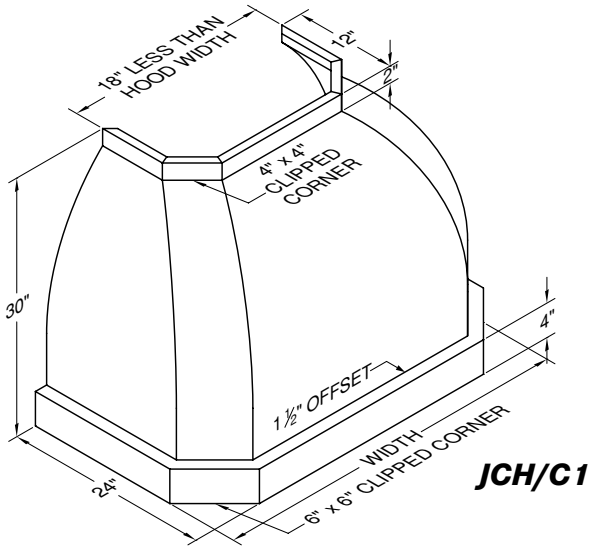
Model No.	Width	Top W.	Height	Painted	Stainless	Overlay*	Ceiling
CDC-18/12/12	18"	12"	12"	928	1,021	1,152	8'
CDC-18/12/24		12"	24"	1,348	1,505	1,741	9'
CDC-18/12/36		12"	36"	1,453	1,675	2,016	10'
CDC-24/12/12	24"	18"	12"	982	1,099	1,282	8'
CDC-24/12/24		12"	24"	1,440	1,650	1,964	9'
CDC-24/12/36		12"	36"	1,583	1,871	2,330	10'
CDC-30/12/12	30"	24"	12"	1,034	1,178	1,413	8'
CDC-30/12/24		12"	24"	1,532	1,792	2,185	9'
CDC-30/12/36		12"	36"	1,714	2,080	2,644	10'
CDC-36/12/12	36"	30"	12"	1,086	1,269	1,545	8'
CDC-36/12/24		18"	24"	1,623	1,937	2,409	9'
CDC-36/12/36		18"	36"	1,846	2,276	2,958	10'
CDC-42/12/12	42"	36"	12"	1,139	1,348	1,662	8'
CDC-42/12/24		24"	24"	1,714	2,080	2,644	9'
CDC-42/12/36		18"	36"	1,976	2,486	3,258	10'
CDC-48/12/12	48"	42"	12"	1,191	1,427	1,792	8'
CDC-48/12/24		30"	24"	1,806	2,225	2,865	9'
CDC-48/12/36		24"	36"	2,106	2,683	3,572	10'

*TRIM REQUIRED ON MODELS EXCEEDING 35" WIDTH AND 30" HEIGHT.
CEILING BASED ON REC. MAXIMUM HOOD MOUNTING HEIGHT.

DESIGNER SERIES WALL MOUNT

REC. MOUNTING HEIGHT FROM
COOKING SURFACE: 30"

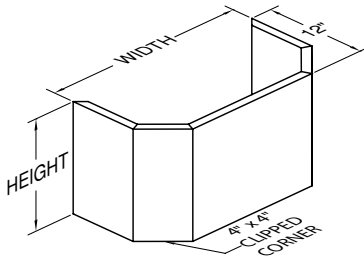
900 CFM OPTIONAL TRANSITION TO 10" ROUND: VP562
1200 CFM OPTIONAL TRANSITION TO 12" ROUND: VP563



JCH/C1

Model No.	CFM	Width	Painted	Stainless	Overlay*	# Lts
JCH136/C1	300	36"	3,370	4,277	5,746	2
JCH142/C1		42"	3,650	4,597	6,270	3
JCH148/C1		48"	3,829	4,831	6,654	3
JCH236/C1	600	36"	3,749	4,693	6,127	2
JCH242/C1		42"	4,031	5,013	6,651	3
JCH248/C1		48"	4,208	5,247	7,034	3
JCH348/C1	900	48"	4,612	5,747	7,439	3
JCH354/C1		54"	5,166	6,495	8,429	4
JCH360/C1		60"	5,415	6,866	8,961	4
JCH454/C1	1200	54"	5,547	6,911	8,809	4
JCH460/C1		60"	5,795	7,283	9,342	4
JCH466/C1		66"	6,029	7,611	9,862	4

*FOR OVERLAY HOODS, SPECIFY INTERIOR COLOR.



DUCT COVER

DUCT COVERS FOR JCH/C1

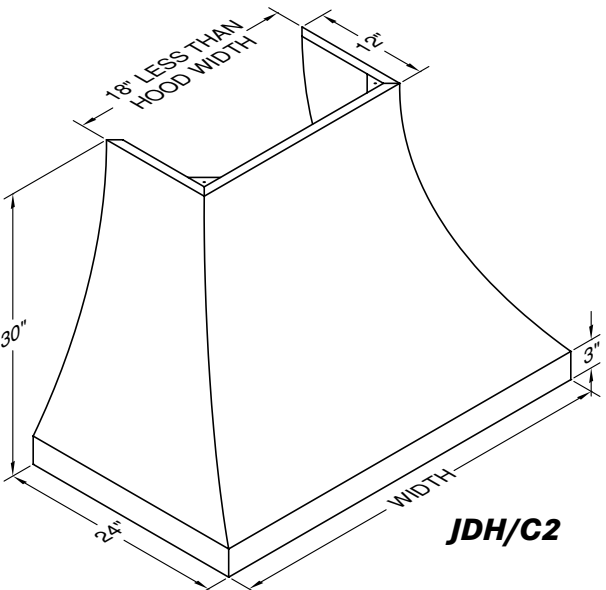
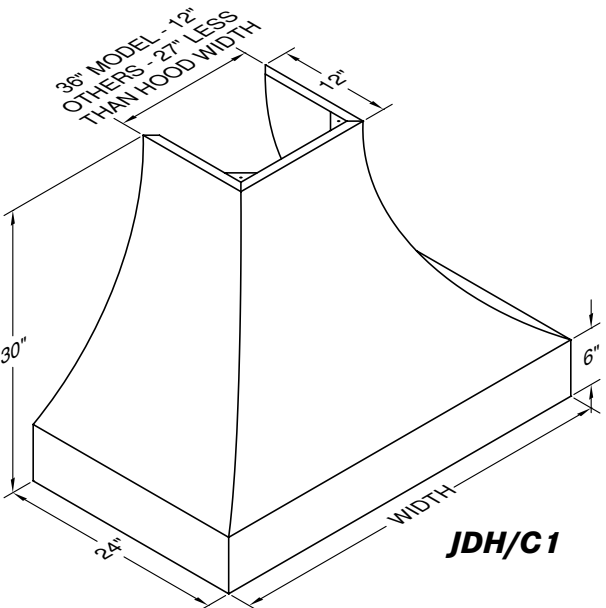
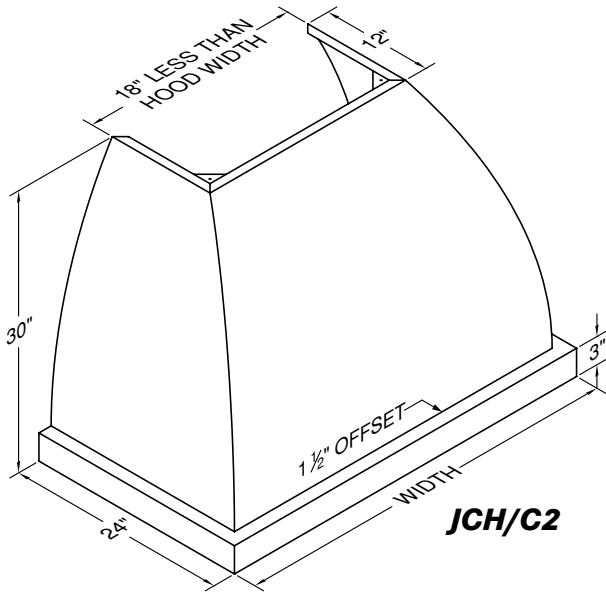
Model No.	Width	Height	Painted	Stainless	Overlay	Ceiling
WDCC4-18/12	18"	12"	889	956	1,047	8'
WDCC4-18/24		24"	994	1,125	1,308	9'
WDCC4-24/12	24"	12"	928	1,007	1,139	8'
WDCC4-24/24		24"	1,073	1,231	1,492	9'
WDCC4-30/12	30"	12"	956	1,061	1,231	8'
WDCC4-30/24		24"	1,139	1,348	1,675	9'
WDCC4-36/12	36"	12"	994	1,125	1,308	8'
WDCC4-36/24		24"	1,217	1,466	1,846	9'
WDCC4-42/12	42"	12"	1,034	1,178	1,400	8'
WDCC4-42/24		24"	1,296	1,583	2,029	9'
WDCC4-48/12	48"	12"	1,073	1,231	1,492	8'
WDCC4-48/24		24"	1,361	1,701	2,212	9'

CEILING BASED ON REC. MAXIMUM HOOD MOUNTING HEIGHT.

DESIGNER SERIES WALL MOUNT

REC. MOUNTING HEIGHT FROM
COOKING SURFACE: 30"

900 CFM JCH/C2 OPTIONAL TRANSITION TO 10" ROUND: VP562
1200 CFM JCH/C2 OPTIONAL TRANSITION TO 12" ROUND: VP563



JCH/C2

Model No.	CFM	Width	Painted	Stainless	Overlay*	# Lts
JCH136/C2	300	36"	3,236	4,162	5,639	2
JCH142/C2		42"	3,506	4,476	6,145	3
JCH148/C2		48"	3,683	4,695	6,529	3
JCH236/C2	600	36"	3,616	4,578	6,020	2
JCH242/C2		42"	3,887	4,892	6,526	3
JCH248/C2		48"	4,063	5,112	6,909	3
JCH348/C2	900	48"	4,468	5,612	7,313	3
JCH354/C2		54"	5,143	6,375	8,426	4
JCH360/C2		60"	5,390	6,868	8,974	4
JCH454/C2	1200	54"	5,523	6,791	8,807	4
JCH460/C2		60"	5,771	7,285	9,355	4
JCH466/C2		66"	6,060	7,675	9,918	4

*FOR OVERLAY HOODS, SPECIFY INTERIOR COLOR.

JDH/C1

Model No.	CFM	Width	Painted	Stainless	Overlay*	# Lts
JDH136/C1	300	36"	3,236	4,162	5,639	2
JDH142/C1		42"	3,506	4,476	6,145	3
JDH148/C1		48"	3,683	4,695	6,529	3
JDH236/C1	600	36"	3,616	4,578	6,020	2
JDH242/C1		42"	3,887	4,892	6,526	3
JDH248/C1		48"	4,063	5,112	6,909	3
JDH348/C1	900*	48"	4,468	5,612	7,313	3
JDH354/C1		54"	5,143	6,375	8,426	4
JDH360/C1		60"	5,390	6,868	8,974	4
JDH454/C1	1200+	54"	5,523	6,791	8,807	4
JDH460/C1		60"	5,771	7,285	9,355	4
JDH466/C1		66"	6,060	7,675	9,918	4

*FOR OVERLAY HOODS, SPECIFY INTERIOR COLOR.

*VP562 TRANSITION TO 10" ROUND INCLUDED.

+VP563 TRANSITION TO 12" ROUND INCLUDED.

JDH/C2

Model No.	CFM	Width	Painted	Stainless	Overlay*	# Lts
JDH136/C2	300	36"	3,236	4,162	5,639	2
JDH142/C2		42"	3,506	4,476	6,145	3
JDH148/C2		48"	3,683	4,695	6,529	3
JDH236/C2	600	36"	3,616	4,578	6,020	2
JDH242/C2		42"	3,887	4,892	6,526	3
JDH248/C2		48"	4,063	5,112	6,909	3
JDH348/C2	900*	48"	4,468	5,612	7,313	3
JDH354/C2		54"	5,143	6,375	8,426	4
JDH360/C2		60"	5,390	6,868	8,974	4
JDH454/C2	1200+	54"	5,523	6,791	8,807	4
JDH460/C2		60"	5,771	7,285	9,355	4
JDH466/C2		66"	6,060	7,675	9,918	4

*FOR OVERLAY HOODS, SPECIFY INTERIOR COLOR.

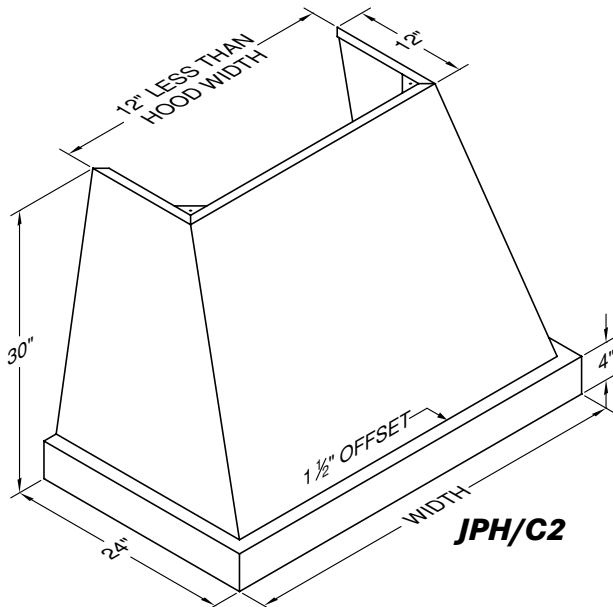
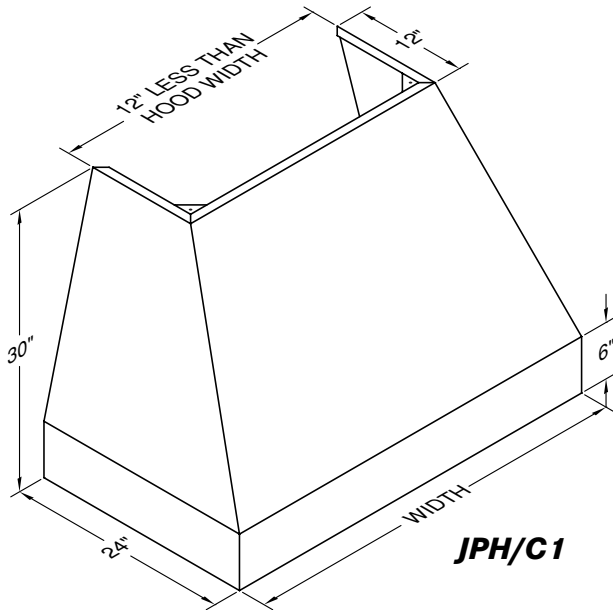
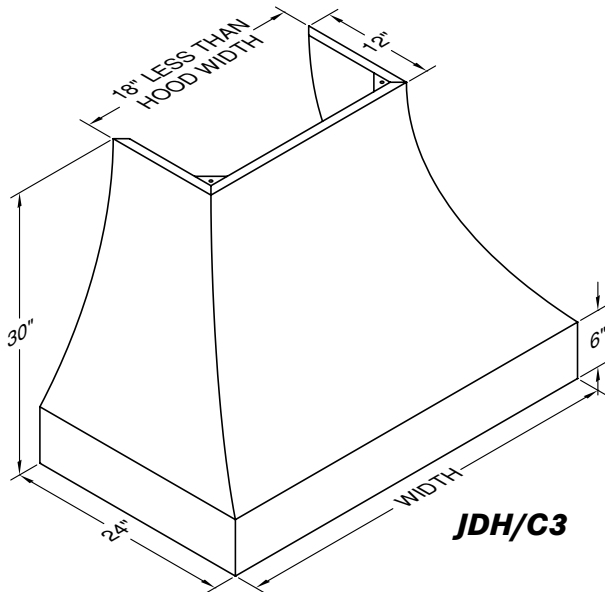
*VP562 TRANSITION TO 10" ROUND INCLUDED.

+VP563 TRANSITION TO 12" ROUND INCLUDED.

DESIGNER SERIES WALL MOUNT

REC. MOUNTING HEIGHT FROM
COOKING SURFACE: 30"

900/1200 CFM JDH/C3: TRANSITION INCLUDED
900 CFM JPH/C1 & JPH/C2 OPTIONAL TRANSITION TO 10" ROUND: VP562



JDH/C3

Model No.	CFM	Width	Painted	Stainless	Overlay*	# Lts
JDH136/C3	300	36"	3,236	4,162	5,639	2
JDH142/C3		42"	3,506	4,476	6,145	3
JDH148/C3		48"	3,683	4,695	6,529	3
JDH236/C3	600	36"	3,616	4,578	6,020	2
JDH242/C3		42"	3,887	4,892	6,526	3
JDH248/C3		48"	4,063	5,112	6,909	3
JDH348/C3	900*	48"	4,468	5,612	7,313	3
JDH354/C3		54"	5,143	6,375	8,426	4
JDH360/C3		60"	5,390	6,868	8,974	4
JDH454/C3	1200+	54"	5,523	6,791	8,807	4
JDH460/C3		60"	5,771	7,285	9,355	4
JDH466/C3		66"	6,060	7,675	9,918	4

*FOR OVERLAY HOODS, SPECIFY INTERIOR COLOR.
*VP562 TRANSITION TO 10" ROUND INCLUDED.
*VP563 TRANSITION TO 12" ROUND INCLUDED.

JPH/C1

Model No.	CFM	Width	Painted	Stainless	Overlay*	# Lts
JPH136/C1	300	36"	3,236	4,162	5,639	2
JPH142/C1		42"	3,506	4,476	6,145	3
JPH148/C1		48"	3,683	4,695	6,529	3
JPH236/C1	600	36"	3,616	4,578	6,020	2
JPH242/C1		42"	3,887	4,892	6,526	3
JPH248/C1		48"	4,063	5,112	6,909	3
JPH348/C1	900	48"	4,468	5,612	7,313	3
JPH354/C1		54"	5,143	6,375	8,426	4
JPH360/C1		60"	5,390	6,868	8,974	4
JPH454/C1	1200	54"	5,523	6,791	8,807	4
JPH460/C1		60"	5,771	7,285	9,355	4
JPH466/C1		66"	6,060	7,675	9,918	4

*FOR OVERLAY HOODS, SPECIFY INTERIOR COLOR.

JPH/C2

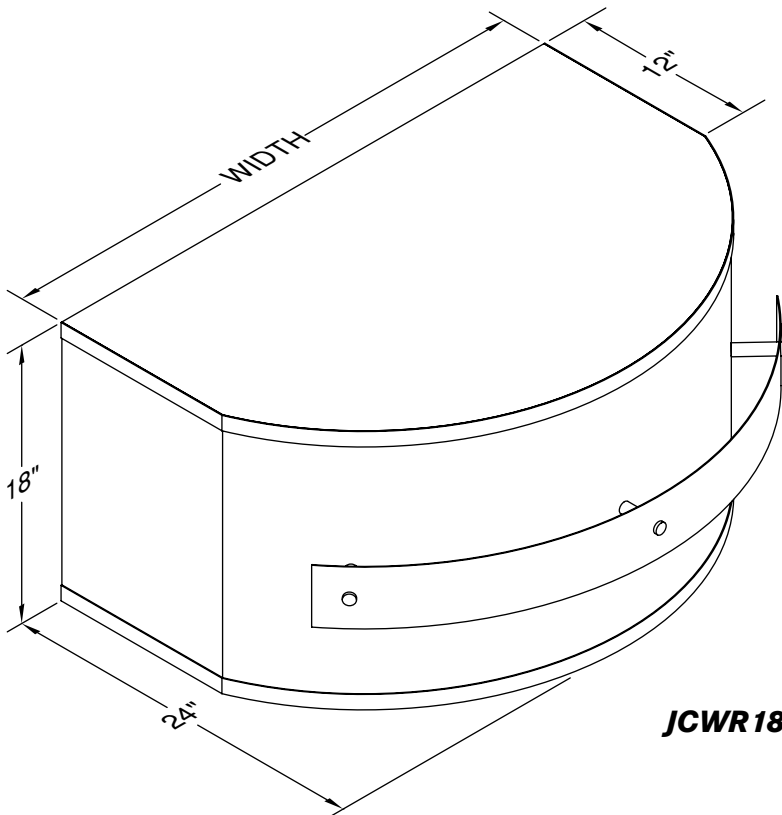
Model No.	CFM	Width	Painted	Stainless	Overlay*	# Lts
JPH136/C2	300	36"	3,236	4,162	5,639	2
JPH142/C2		42"	3,506	4,476	6,145	3
JPH148/C2		48"	3,683	4,695	6,529	3
JPH236/C2	600	36"	3,616	4,578	6,020	2
JPH242/C2		42"	3,887	4,892	6,526	3
JPH248/C2		48"	4,063	5,112	6,909	3
JPH348/C2	900	48"	4,468	5,612	7,313	3
JPH354/C2		54"	5,143	6,375	8,426	4
JPH360/C2		60"	5,390	6,868	8,974	4
JPH454/C2	1200	54"	5,523	6,791	8,807	4
JPH460/C2		60"	5,771	7,285	9,355	4
JPH466/C2		66"	6,060	7,675	9,918	4

*FOR OVERLAY HOODS, SPECIFY INTERIOR COLOR.

DESIGNER SERIES WALL MOUNT

REC. MOUNTING HEIGHT FROM
COOKING SURFACE: 30"

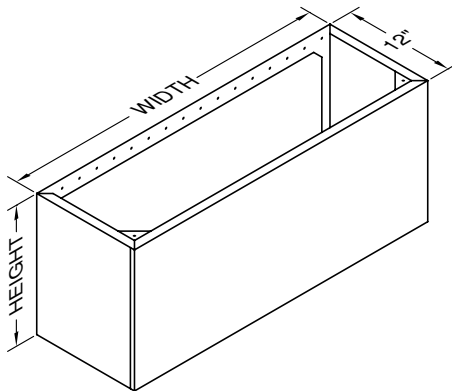
900 CFM OPTIONAL TRANSITION TO 10" ROUND: VP562
1200 CFM OPTIONAL TRANSITION TO 12" ROUND: VP563



JCWR18

JCWR18

Model No.	CFM	Width	Stainless	# Lts
JCWR18-130	300	30"	2,847	2
JCWR18-136		36"	2,916	2
JCWR18-142		42"	3,141	3
JCWR18-148		48"	3,250	3
JCWR18-230	600	30"	3,227	2
JCWR18-236		36"	3,296	2
JCWR18-242		42"	3,522	3
JCWR18-248		48"	3,631	3
JCWR18-254	900	54"	4,311	4
JCWR18-342		42"	3,926	3
JCWR18-348		48"	4,036	3
JCWR18-354		54"	4,715	4
JCWR18-360	1200	60"	5,126	4
JCWR18-448		48"	4,416	3
JCWR18-454		54"	5,095	4
JCWR18-460		60"	5,507	4
JCWR18-466		66"	5,535	4



DUCT COVER

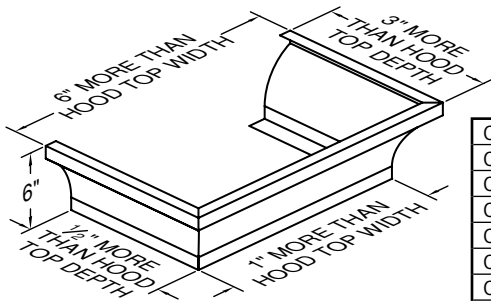
WDCRND FOR DESIGNER SERIES HOODS

Model No.	Width	Height	Painted	Stainless	Overlay	Ceiling
WDCRND-12/12	12"	12"	471	510	576	8'
WDCRND-12/24		24"	538	628	747	9'
WDCRND-15/12	15"	12"	498	550	628	8'
WDCRND-15/24		24"	589	693	864	9'
WDCRND-18/12	18"	12"	523	589	680	8'
WDCRND-18/24		24"	628	759	943	9'
WDCRND-21/12	21"	12"	538	615	719	8'
WDCRND-21/24		24"	668	811	1,034	9'
WDCRND-24/12	24"	12"	563	642	772	8'
WDCRND-24/24		24"	707	877	1,125	9'
WDCRND-27/12	27"	12"	576	668	811	8'
WDCRND-27/24		24"	747	928	1,217	9'
WDCRND-30/12	30"	12"	576	680	838	8'
WDCRND-30/24		24"	759	956	1,282	9'
WDCRND-33/12	33"	12"	615	732	903	8'
WDCRND-33/24		24"	811	1,047	1,400	9'
WDCRND-36/12	36"	12"	615	732	928	8'
WDCRND-36/24		24"	824	1,073	1,453	9'
WDCRND-39/12	39"	12"	655	785	994	8'
WDCRND-39/24		24"	889	1,152	1,571	9'
WDCRND-42/12	42"	12"	655	798	1,007	8'
WDCRND-42/24		24"	903	1,191	1,623	9'
WDCRND-48/12	48"	12"	680	851	1,099	8'
WDCRND-48/24		24"	968	1,296	1,806	9'
WDCRND-54/12	54"	12"	719	903	1,191	8'
WDCRND-54/24		24"	1,073	1,440	2,016	9'
CUSTOM	WIDTH X HEIGHT X		0.49	0.79	1.23	
	PLUS		405			
FINISHED TOP	WIDTH X DEPTH X		0.49	0.79	1.23	
	PLUS		237			
SLOPED TOP •	ADD		405			

CEILING BASED ON REC. MAXIMUM MOUNTING HEIGHT FOR 30" DESIGNER WALL MOUNT HOOD.
• SPECIFY FRONT TO BACK OR LEFT TO RIGHT DIMENSIONS.

WALL MOUNT CROWNS

CAN BE PLACED ON TOP OF A WALL
MOUNT HOOD OR DUCT COVER



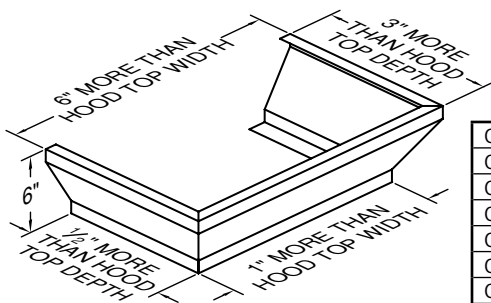
CRN-D6H

CRN-D6H

Model No. *	Application	Width	Depth	Lip+	Painted	Stainless	Overlay
CRN-D6H-10/10	10" x 10" Top	16"	13"	1"	2,072	2,100	2,143
CRN-D6H-12/12	12" x 12" Top	18"	15"	1"	2,077	2,110	2,157
CRN-D6H-15/12	15" x 12" Top	21"	15"	1"	2,086	2,124	2,179
CRN-D6H-18/12	18" X 12" Top	24"	15"	1"	2,095	2,138	2,202
CRN-D6H-21/12	21" x 12" Top	27"	15"	1"	2,104	2,152	2,224
CRN-D6H-24/12	24" x 12" Top	30"	15"	1"	2,113	2,167	2,246
CRN-D6H-26/12	26" x 12" Top	32"	15"	1"	2,119	2,176	2,261
CRN-D6H-26/14	26" x 14" Top	32"	17"	1"	2,119	2,176	2,261
CRN-D6H-27/12	27" x 12" Top	33"	15"	1"	2,122	2,181	2,268
CRN-D6H-30/12	30" x 12" Top	36"	15"	1"	2,130	2,195	2,290
CRN-D6H-33/12	33" x 12" Top	39"	15"	1"	2,139	2,209	2,312
CRN-D6H-34/12	34" x 12" Top	40"	15"	1"	2,142	2,214	2,320
CRN-D6H-36/12	36" x 12" Top	42"	15"	1"	2,148	2,224	2,334
CRN-D6H-39/12	39" x 12" Top	45"	15"	1"	2,157	2,238	2,357
CRN-D6H-42/12	42" x 12" Top	48"	15"	1"	2,166	2,252	2,379
CRN-D6H-45/12	45" x 12" Top	51"	15"	1"	2,174	2,266	2,401
CRN-D6H-48/12	48" x 12" Top	54"	15"	1"	2,183	2,280	2,423
CRN-D6H-54/12	54" x 12" Top	60"	15"	1"	2,201	2,309	2,467
CRN-D6H-60/12	60" x 12" Top	66"	15"	1"	2,219	2,337	2,512
CRN-D6H-66/12	66" x 12" Top	72"	15"	1"	2,236	2,366	2,556

*HOOD VERSION MODEL LISTED. USE CRN-D6D MODEL NUMBER PREFIX FOR USE ON A DUCT COVER.

+LIP HEIGHT APPLIES TO TOP LIP AND BOTTOM LIP.



CRN-P6H

CRN-P6H

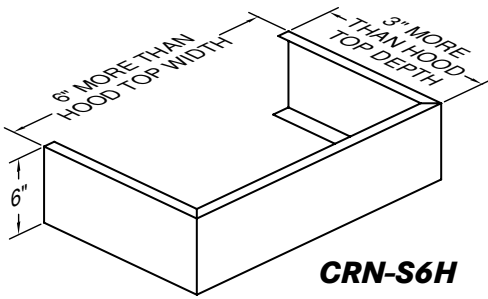
Model No. *	Application	Width	Depth	Lip+	Painted	Stainless	Overlay
CRN-P6H-10/10	10" x 10" Top	16"	13"	1"	2,072	2,100	2,143
CRN-P6H-12/12	12" x 12" Top	18"	15"	1"	2,077	2,110	2,157
CRN-P6H-15/12	15" x 12" Top	21"	15"	1"	2,086	2,124	2,179
CRN-P6H-18/12	18" X 12" Top	24"	15"	1"	2,095	2,138	2,202
CRN-P6H-21/12	21" x 12" Top	27"	15"	1"	2,104	2,152	2,224
CRN-P6H-24/12	24" x 12" Top	30"	15"	1"	2,113	2,167	2,246
CRN-P6H-26/12	26" x 12" Top	32"	15"	1"	2,119	2,176	2,261
CRN-P6H-26/14	26" x 14" Top	32"	17"	1"	2,119	2,176	2,261
CRN-P6H-27/12	27" x 12" Top	33"	15"	1"	2,122	2,181	2,268
CRN-P6H-30/12	30" x 12" Top	36"	15"	1"	2,130	2,195	2,290
CRN-P6H-33/12	33" x 12" Top	39"	15"	1"	2,139	2,209	2,312
CRN-P6H-34/12	34" x 12" Top	40"	15"	1"	2,142	2,214	2,320
CRN-P6H-36/12	36" x 12" Top	42"	15"	1"	2,148	2,224	2,334
CRN-P6H-39/12	39" x 12" Top	45"	15"	1"	2,157	2,238	2,357
CRN-P6H-42/12	42" x 12" Top	48"	15"	1"	2,166	2,252	2,379
CRN-P6H-45/12	45" x 12" Top	51"	15"	1"	2,174	2,266	2,401
CRN-P6H-48/12	48" x 12" Top	54"	15"	1"	2,183	2,280	2,423
CRN-P6H-54/12	54" x 12" Top	60"	15"	1"	2,201	2,309	2,467
CRN-P6H-60/12	60" x 12" Top	66"	15"	1"	2,219	2,337	2,512
CRN-P6H-66/12	66" x 12" Top	72"	15"	1"	2,236	2,366	2,556

*HOOD VERSION MODEL LISTED. USE CRN-D6D MODEL NUMBER PREFIX FOR USE ON A DUCT COVER.

+LIP HEIGHT APPLIES TO TOP LIP AND BOTTOM LIP.

WALL MOUNT CROWNS

CAN BE PLACED ON TOP OF A WALL
MOUNT HOOD OR DUCT COVER

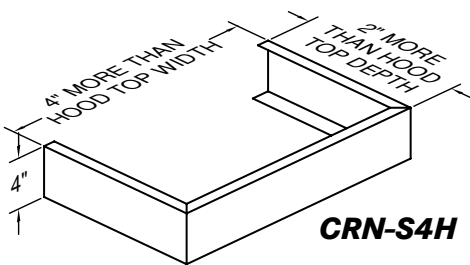


CRN-S6H

CRN-S6H

Model No. •	Application	Width	Depth	Painted	Stainless	Overlay
CRN-S6H-10/10	10" x 10" Top	16"	13"	857	885	928
CRN-S6H-12/12	12" x 12" Top	18"	15"	862	895	942
CRN-S6H-15/12	15" x 12" Top	21"	15"	871	909	964
CRN-S6H-18/12	18" X 12" Top	24"	15"	880	923	987
CRN-S6H-21/12	21" x 12" Top	27"	15"	889	937	1,009
CRN-S6H-24/12	24" x 12" Top	30"	15"	898	952	1,031
CRN-S6H-26/12	26" x 12" Top	32"	15"	904	961	1,046
CRN-S6H-26/14	26" x 14" Top	32"	17"	904	961	1,046
CRN-S6H-27/12	27" x 12" Top	33"	15"	907	966	1,053
CRN-S6H-30/12	30" x 12" Top	36"	15"	915	980	1,075
CRN-S6H-33/12	33" x 12" Top	39"	15"	924	994	1,097
CRN-S6H-34/12	34" x 12" Top	40"	15"	927	999	1,105
CRN-S6H-36/12	36" x 12" Top	42"	15"	933	1,009	1,119
CRN-S6H-39/12	39" x 12" Top	45"	15"	942	1,023	1,142
CRN-S6H-42/12	42" x 12" Top	48"	15"	951	1,037	1,164
CRN-S6H-45/12	45" x 12" Top	51"	15"	959	1,051	1,186
CRN-S6H-48/12	48" x 12" Top	54"	15"	968	1,065	1,208
CRN-S6H-54/12	54" x 12" Top	60"	15"	986	1,094	1,252
CRN-S6H-60/12	60" x 12" Top	66"	15"	1,004	1,122	1,297
CRN-S6H-66/12	66" x 12" Top	72"	15"	1,021	1,151	1,341

•HOOD VERSION MODEL LISTED. USE CRN-D6D MODEL NUMBER PREFIX FOR USE ON A DUCT COVER.

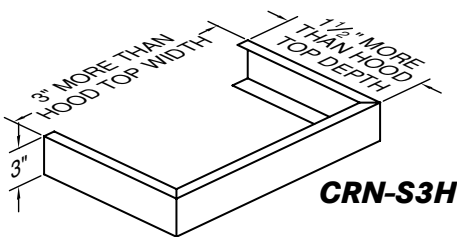


CRN-S4H

CRN-S4H

Model No. •	Application	Width	Depth	Painted	Stainless	Overlay
CRN-S4H-10/10	10" x 10" Top	14"	12"	837	854	878
CRN-S4H-12/12	12" x 12" Top	16"	14"	841	860	888
CRN-S4H-15/12	15" x 12" Top	19"	14"	847	870	903
CRN-S4H-18/12	18" X 12" Top	22"	14"	853	879	918
CRN-S4H-21/12	21" x 12" Top	25"	14"	859	889	933
CRN-S4H-24/12	24" x 12" Top	28"	14"	864	898	947
CRN-S4H-26/12	26" x 12" Top	30"	14"	868	904	957
CRN-S4H-26/14	26" x 14" Top	30"	16"	868	904	957
CRN-S4H-27/12	27" x 12" Top	31"	14"	870	907	962
CRN-S4H-30/12	30" x 12" Top	34"	14"	876	917	977
CRN-S4H-33/12	33" x 12" Top	37"	14"	882	926	992
CRN-S4H-34/12	34" x 12" Top	38"	14"	884	930	996
CRN-S4H-36/12	36" x 12" Top	40"	14"	888	936	1,006
CRN-S4H-39/12	39" x 12" Top	43"	14"	894	945	1,021
CRN-S4H-42/12	42" x 12" Top	46"	14"	900	955	1,036
CRN-S4H-45/12	45" x 12" Top	49"	14"	906	964	1,051
CRN-S4H-48/12	48" x 12" Top	52"	14"	911	974	1,065
CRN-S4H-54/12	54" x 12" Top	58"	14"	923	993	1,095
CRN-S4H-60/12	60" x 12" Top	64"	14"	935	1,012	1,124
CRN-S4H-66/12	66" x 12" Top	70"	14"	947	1,031	1,154

•HOOD VERSION MODEL LISTED. USE CRN-D6D MODEL NUMBER PREFIX FOR USE ON A DUCT COVER.



CRN-S3H

CRN-S3H

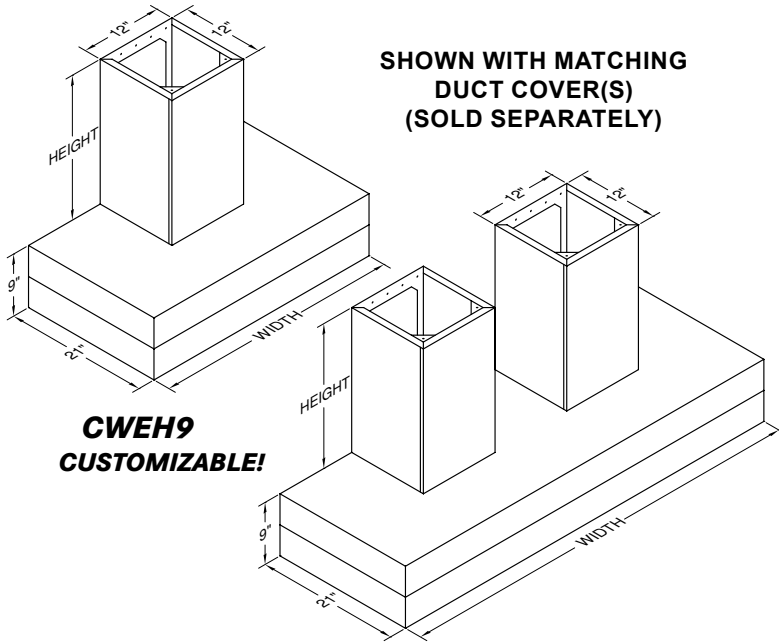
Model No. •	Application	Width	Depth	Painted	Stainless	Overlay
CRN-S3H-10/10	10" x 10" Top	13"	11 1/2"	829	840	857
CRN-S3H-12/12	12" x 12" Top	15"	13 1/2"	832	845	865
CRN-S3H-15/12	15" x 12" Top	18"	13 1/2"	836	852	876
CRN-S3H-18/12	18" X 12" Top	21"	13 1/2"	840	859	887
CRN-S3H-21/12	21" x 12" Top	24"	13 1/2"	845	866	898
CRN-S3H-24/12	24" x 12" Top	27"	13 1/2"	849	873	909
CRN-S3H-26/12	26" x 12" Top	29"	13 1/2"	852	878	917
CRN-S3H-26/14	26" x 14" Top	29"	15 1/2"	852	878	917
CRN-S3H-27/12	27" x 12" Top	30"	13 1/2"	854	881	920
CRN-S3H-30/12	30" x 12" Top	33"	13 1/2"	858	888	931
CRN-S3H-33/12	33" x 12" Top	36"	13 1/2"	862	895	942
CRN-S3H-34/12	34" x 12" Top	37"	13 1/2"	864	897	946
CRN-S3H-36/12	36" x 12" Top	39"	13 1/2"	867	902	953
CRN-S3H-39/12	39" x 12" Top	42"	13 1/2"	871	909	964
CRN-S3H-42/12	42" x 12" Top	45"	13 1/2"	876	916	976
CRN-S3H-45/12	45" x 12" Top	48"	13 1/2"	880	923	987
CRN-S3H-48/12	48" x 12" Top	51"	13 1/2"	884	930	998
CRN-S3H-54/12	54" x 12" Top	57"	13 1/2"	893	945	1,020
CRN-S3H-60/12	60" x 12" Top	63"	13 1/2"	902	959	1,042
CRN-S3H-66/12	66" x 12" Top	69"	13 1/2"	911	973	1,064

•HOOD VERSION MODEL LISTED. USE CRN-D6D MODEL NUMBER PREFIX FOR USE ON A DUCT COVER.

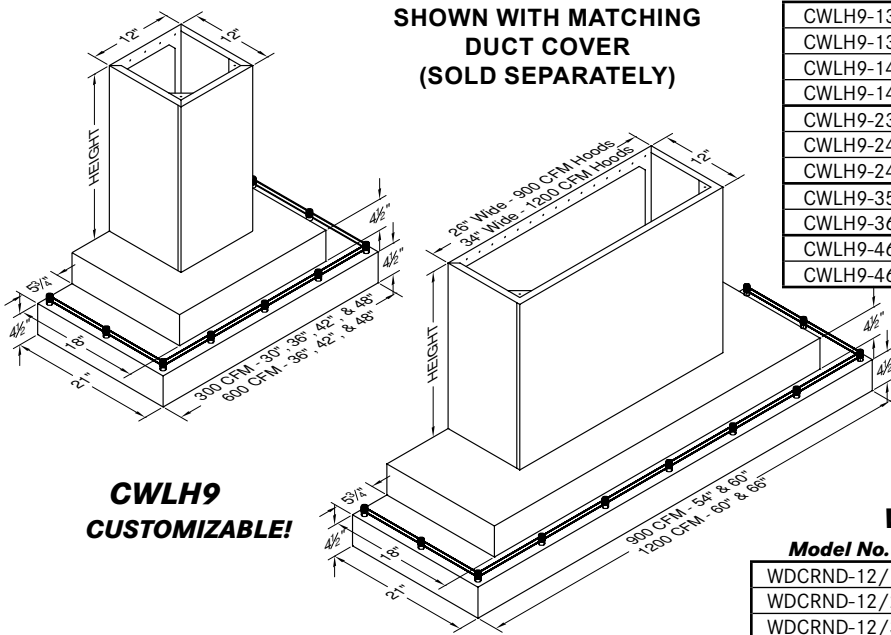
CONTEMPORARY WALL MOUNT

REC. MOUNTING HEIGHT FROM
COOKING SURFACE: 27"

900 CFM CWLH9 OPTIONAL TRANSITION TO 10" ROUND: VP562
1200 CFM CWLH9 OPTIONAL TRANSITION TO 12" ROUND: VP563



CWEH9					
Model No.	CFM	Width	Painted	Stainless	# Lts
CWEH9-130	300	30"	1,727	2,401	2
CWEH9-136		36"	1,752	2,439	2
CWEH9-142		42"	1,971	2,645	3
CWEH9-148		48"	2,074	2,751	3
CWEH9-230	600	30"	2,106	2,817	2
CWEH9-236		36"	2,133	2,855	2
CWEH9-242		42"	2,351	3,061	3
CWEH9-248		48"	2,444	3,168	3
CWEH9-254	900	54"	2,911	3,812	4
CWEH9-342		42"	2,867	3,675	3
CWEH9-348		48"	3,206	3,769	3
CWEH9-354		54"	3,441	4,454	4
CWEH9-360	1200	60"	3,590	4,685	4
CWEH9-448		48"	3,586	4,186	3
CWEH9-454		54"	3,821	4,871	4
CWEH9-460		60"	3,970	5,102	4
CWEH9-466		66"	4,159	5,332	4



CWLH9					
Model No.	CFM	Width	Painted	Stainless	# Lts
CWLH9-130	300	30"	1,689	2,345	2
CWLH9-136		36"	1,702	2,357	2
CWLH9-142		42"	1,959	2,627	3
CWLH9-148		48"	2,051	2,733	3
CWLH9-236	600	36"	2,083	2,775	2
CWLH9-242		42"	2,340	3,044	3
CWLH9-248		48"	2,431	3,149	3
CWLH9-354	900	54"	3,436	4,444	4
CWLH9-360		60"	3,595	4,671	4
CWLH9-460	1200	60"	3,975	5,087	4
CWLH9-466		66"	4,081	5,234	4

**CWLH9
CUSTOMIZABLE!**

WDCRND FOR CWEH9/CWLH9

Model No.	Width	Height	Painted	Stainless	Ceiling
WDCRND-12/12	12"	12"	471	510	8'
WDCRND-12/24		24"	538	628	9'
WDCRND-12/36		36"	615	732	10'
WSDCRND-26/12	26"	12"	563	642	8'
WSDCRND-26/24		24"	707	889	9'
WSDCRND-26/36		36"	864	1,125	10'
WDCRND-34/12	34"	12"	602	719	7'
WDCRND-34/24		24"	811	1,034	8'
WDCRND-34/36		36"	1,007	1,361	9'
CUSTOM	WIDTH X HEIGHT X PLUS		0.49	0.79	
FINISHED TOP	WIDTH X DEPTH X PLUS		0.49	0.79	
SLOPED TOP •	ADD			405	

26" AND 34" DUCT COVERS FOR USE ON MATCHING CWLH9 MODELS.
CEILING BASED ON REC. MAXIMUM HOOD MOUNTING HEIGHT.
• SPECIFY FRONT TO BACK OR LEFT TO RIGHT DIMENSIONS.

CWEH9/CWLH9 VARIATIONS

WIDTHS OVER 66"

FOR EACH 6" INCREMENT
PLUS

	PAINTED	STAINLESS
	184	263
	237	

SPECIAL WIDTH (LESS THAN 66")

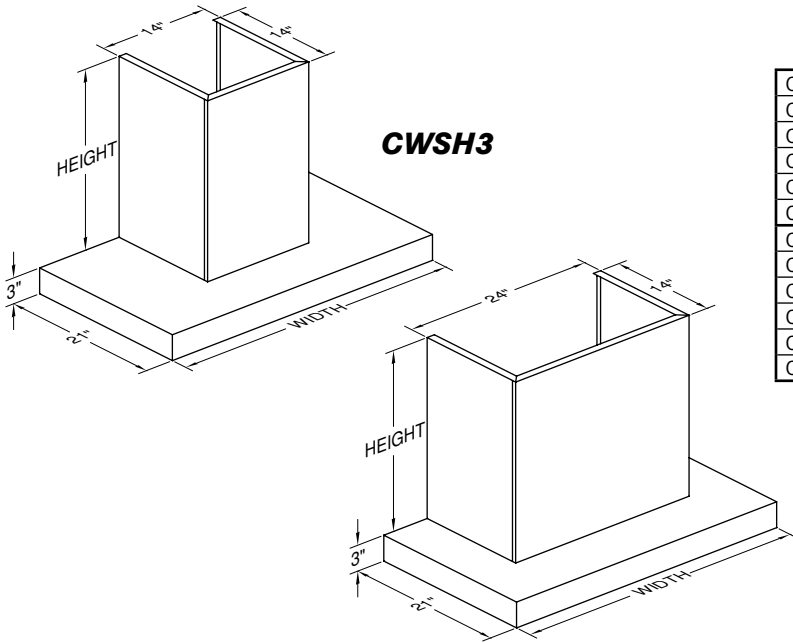
USE NEXT LARGEST SIZE ON PRICE LIST,
PLUS

237

REMOVE GALLEY RAIL (CWLH9 ONLY)
TO REMOVE RAIL, NO CHARGE

CONTEMPORARY WALL MOUNT

REC. MOUNTING HEIGHT FROM
COOKING SURFACE: 24"

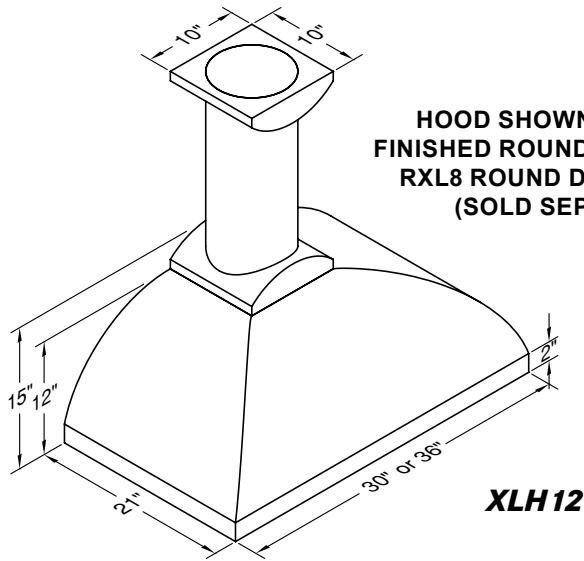


CWSH3

Model No.	CFM	Width	Stainless	# Lts	Ceiling
CWSH3-1/030-21	300	30"	2,902	2	7'
CWSH3-1/030-33		30"	3,021	2	8'
CWSH3-1/036-21		36"	2,902	2	7'
CWSH3-1/036-33		36"	3,021	2	8'
CWSH3-1/042-21		42"	3,129	3	7'
CWSH3-1/042-33		42"	3,248	3	8'
CWSH3-2/030-21	600	30"	3,891	2	7'
CWSH3-2/030-33		30"	4,104	2	8'
CWSH3-2/036-21		36"	3,891	2	7'
CWSH3-2/036-33		36"	4,104	2	8'
CWSH3-2/042-21		42"	4,116	3	7'
CWSH3-2/042-33		42"	4,331	3	8'

CONTEMPORARY WALL MOUNT

REC. MOUNTING HEIGHT FROM
COOKING SURFACE: 24"

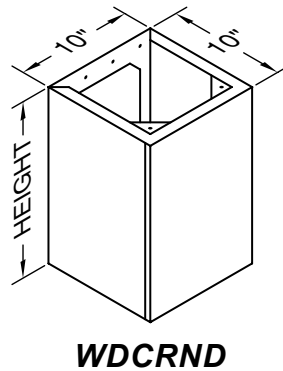
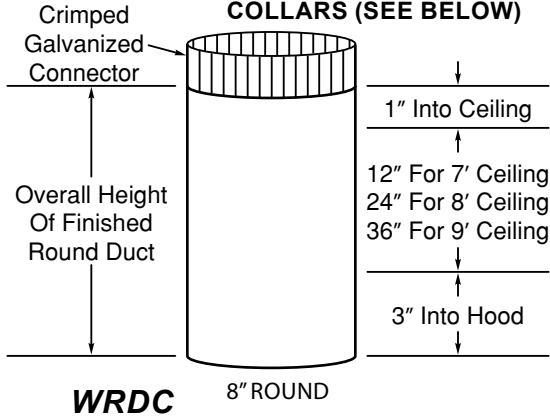


HOOD SHOWN WITH WRDC
FINISHED ROUND DUCT AND TWO
RXL8 ROUND DUCT COLLARS
(SOLD SEPARATELY)

XLH12

Model No.	CFM	Width	Stainless	# Lts
BRASS LIP				
XLH12-230B	600	30"	2,348	2
XLH12-236B		36"	2,376	2
COPPER LIP				
XLH12-230C	600	30"	2,348	2
XLH12-236C		36"	2,376	2
MIRROR STAINLESS STEEL LIP				
XLH12-230M	600	30"	2,348	2
XLH12-236M		36"	2,376	2
STAINLESS STEEL LIP				
XLH12-230S	600	30"	2,348	2
XLH12-236S		36"	2,376	2

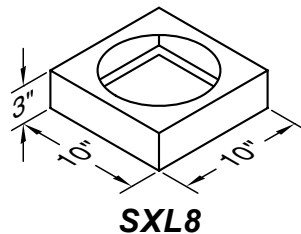
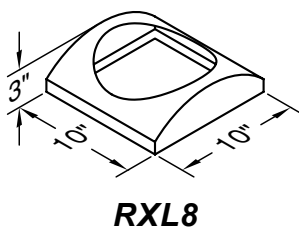
FINISHED ROUND DUCT
REQUIRES TWO DUCT
COLLARS (SEE BELOW)



DUCT COVERS FOR XLH12

Model No.	Width	Height	Stainless	Ceiling
WDCRND-10/12	10"	12"	484	7'
WDCRND-10/24		24"	576	8'
WDCRND-10/36		36"	668	9'
WRDC-8/16	8"	16"	327	7'
WRDC-8/28		28"	405	8'
WRDC-8/40		40"	471	9'
CUSTOM	WIDTH X HEIGHT X		0.79	
	PLUS		405	
FINISHED TOP	WIDTH X DEPTH X		0.79	
	PLUS		237	
SLOPED TOP*	ADD		405	

WRDC EXTENDS 3" INTO TOP OF HOOD AND 1" INTO CEILING.
CEILING BASED ON REC. MAXIMUM HOOD MOUNTING HEIGHT.
*SPECIFY FRONT TO BACK OR LEFT TO RIGHT DIMENSIONS.



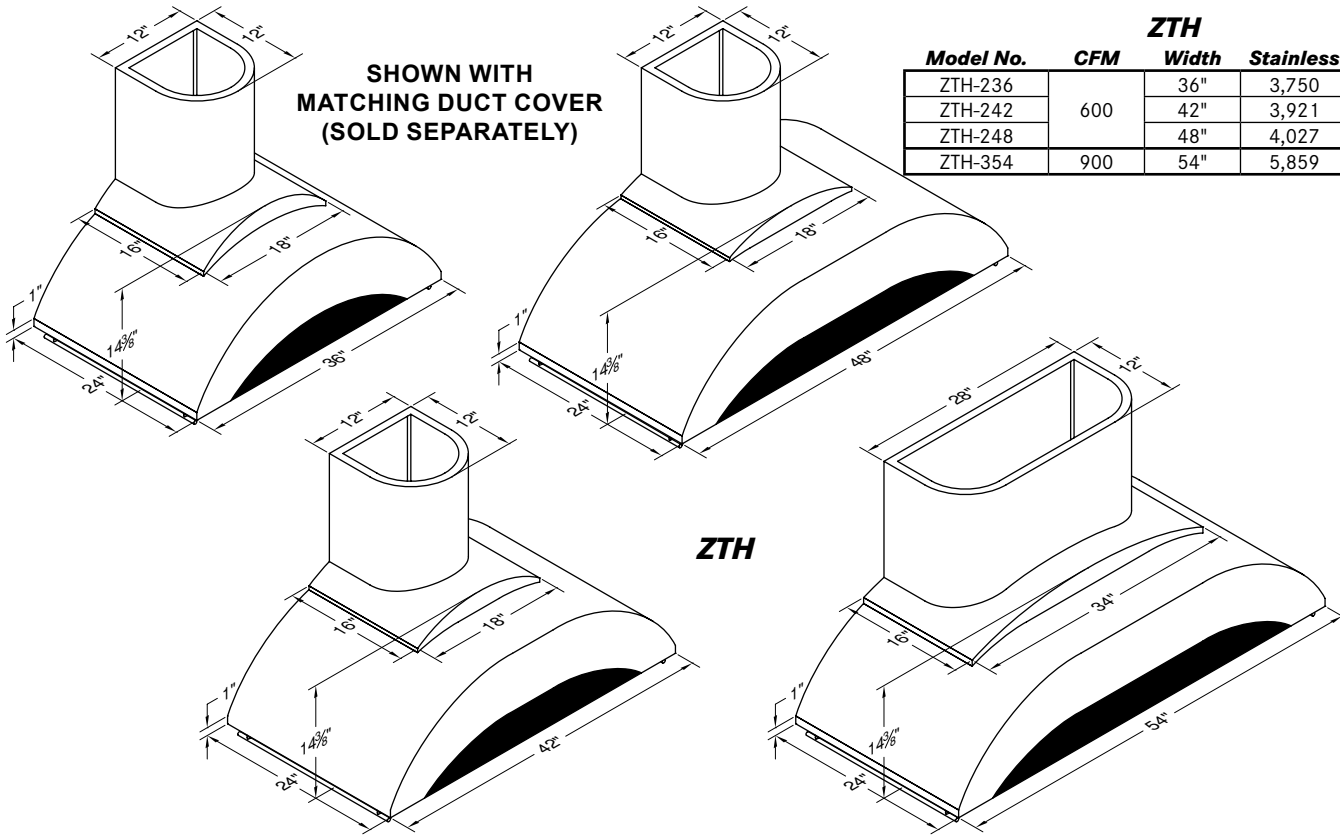
WRDC COLLARS

Model No.	Width	Height	Stainless
RXL8	10"	3"	235
SXL8	10"	3"	145

CONTEMPORARY WALL MOUNT

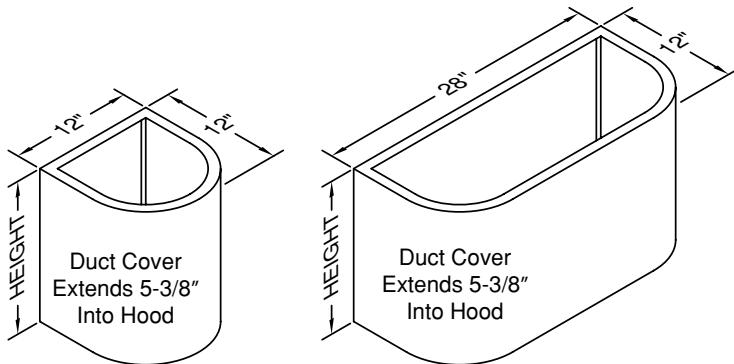
REC. MOUNTING HEIGHT FROM
COOKING SURFACE: 30"

900 CFM OPTIONAL TRANSITION TO 10" ROUND: VP562



ZTH				
Model No.	CFM	Width	Stainless	# Lts
ZTH-236	600	36"	3,750	4
ZTH-242		42"	3,921	4
ZTH-248		48"	4,027	4
ZTH-354	900	54"	5,859	4

ZTH VARIATIONS	
REMOVE FIXED LENGTH SS RAIL	
ADD	237

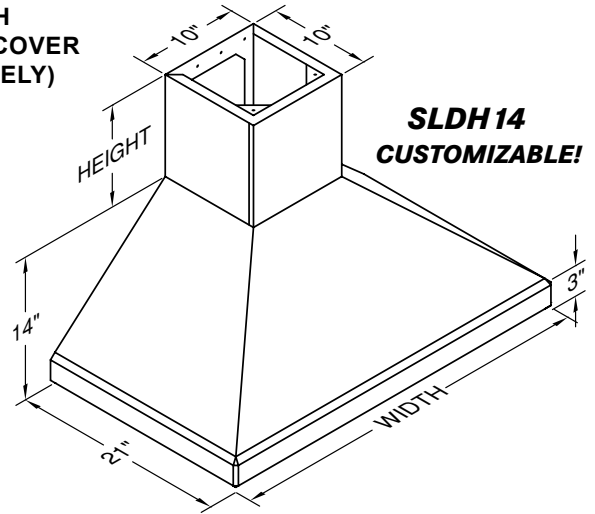
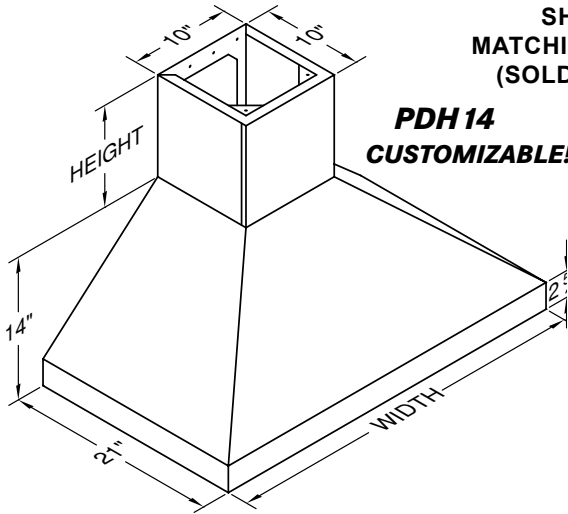


DUCT COVERS FOR ZTH				
Model No.	Width	Height	Stainless	Ceiling
WZDC-12/9	12"	9"	471	7'
WZDC-12/21		21"	576	8'
WZDC-12/33		33"	693	9'
WZDC-28/9	28"	9"	576	7'
WZDC-28/21		21"	838	8'
WZDC-28/33		33"	1,086	9'
CUSTOM	WIDTH X HEIGHT X		0.79	
	PLUS		405	

CEILING BASED ON REC. MAXIMUM HOOD MOUNTING HEIGHT.

EURO-STYLE WALL MOUNT

REC. MOUNTING HEIGHT FROM COOKING SURFACE: 24"



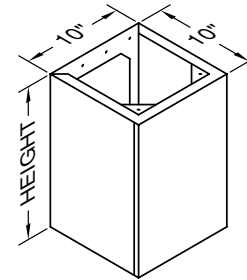
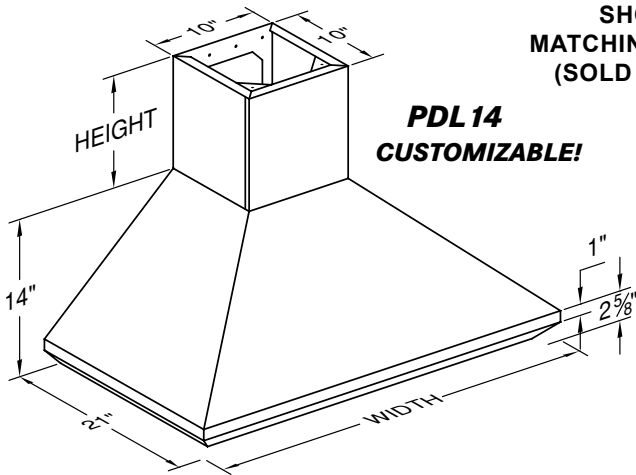
PDH 14

Model No.	CFM	Width	Painted	Stainless	Overlay*	# Lts
PDH14-130	300	30"	1,636	2,264	3,352	2
PDH14-136		36"	1,673	2,303	3,494	2
PDH14-142		42"	1,861	2,491	3,836	3
PDH14-148		48"	1,938	2,581	4,030	3
PDH14-236	600	36"	2,054	2,720	3,875	2
PDH14-242		42"	2,242	2,907	4,216	3
PDH14-248		48"	2,318	2,998	4,410	3

SLDH 14

Model No.	CFM	Width	Painted	Stainless	# Lts
SLDH14-130	300	30"	2,060	2,706	2
SLDH14-136		36"	2,100	2,745	2
SLDH14-142		42"	2,356	3,029	3
SLDH14-148		48"	2,449	3,136	3
SLDH14-236	600	36"	2,481	3,163	2
SLDH14-242		42"	2,737	3,447	3
SLDH14-248		48"	2,829	3,553	3

*FOR OVERLAY MODELS, SPECIFY INTERIOR COLOR.



PDL 14

Model No.	CFM	Width	Painted	Stainless	Overlay*	# Lts
PDL14-130	300	30"	1,636	2,264	3,352	2
PDL14-136		36"	1,673	2,303	3,494	2
PDL14-142		42"	1,861	2,491	3,836	3
PDL14-148		48"	1,938	2,581	4,030	3
PDL14-236	600	36"	2,054	2,720	3,875	2
PDL14-242		42"	2,242	2,907	4,216	3
PDL14-248		48"	2,318	2,998	4,410	3

*FOR OVERLAY MODELS, SPECIFY INTERIOR COLOR.

14" TALL EURO-STYLE WALL MOUNT DUCT COVERS

Model No.	Width	Height	Painted	Stainless	Overlay	Ceiling
WDCRND-10/10	10"	10"	445	484	523	7'
WDCRND-10/22		22"	510	576	668	8'
WDCRND-10/34		34"	576	668	811	9'
CUSTOM	WIDTH X HEIGHT X PLUS		0.49	0.79	1.23	
FINISHED TOP	WIDTH X DEPTH X PLUS		0.49	0.79	1.23	
SLOPED TOP*	ADD				405	

CEILING BASED ON REC. MAXIMUM HOOD MOUNTING HEIGHT.

*SPECIFY FRONT TO BACK OR LEFT TO RIGHT DIMENSIONS.

14" TALL WALL EURO-STYLE MOUNT HOOD VARIATIONS

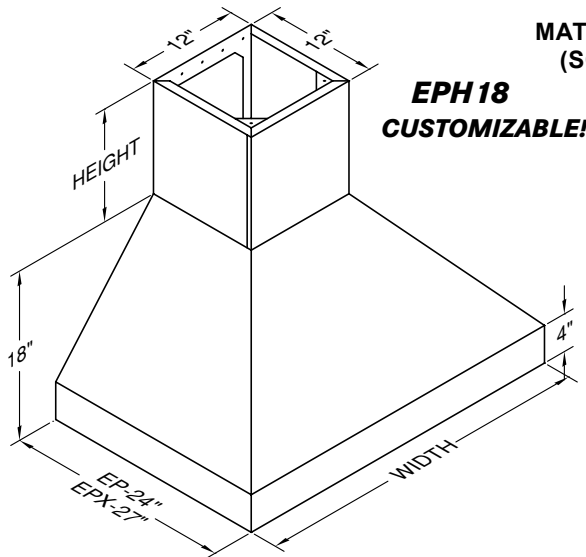
SPECIAL WIDTH (LESS THAN 48") USE NEXT LARGEST SIZE ON PRICE LIST, PLUS				237
DEPTH OVER 21"				
WIDTH X EXTRA DEPTH X PLUS	PAINTED	STAINLESS	OVERLAY	
	1.17	1.72	2.34	405
STAINLESS STEEL INTERIOR ON OVERLAY HOOD SUBTRACT PAINTED HOOD PRICE FROM STAINLESS HOOD PRICE				
CUSTOM COLOR (SEE CUSTOM COLOR CHART) ADD				714
TRIM OPTIONS SEE PAGES 52-53 FOR FINISH AND TRIM OPTIONS				

EURO-STYLE WALL MOUNT

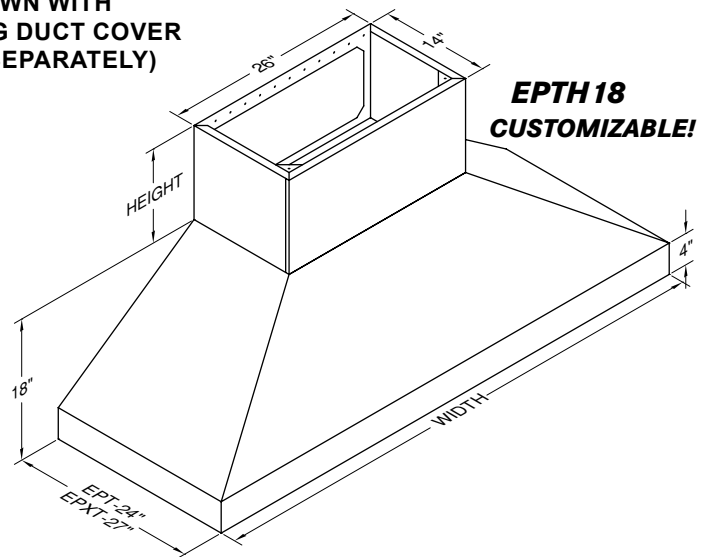
REC. MOUNTING HEIGHT FROM
COOKING SURFACE: 30"

900 CFM EPTH18 & NEPTH18 MODELS: VP562 TRANSITION INCLUDED
1200 CFM EPTH18 & NEPTH18 MODELS: VP563 TRANSITION INCLUDED

SHOWN WITH
MATCHING DUCT COVER
(SOLD SEPARATELY)



**EPH18
CUSTOMIZABLE!**



**EPTH18
CUSTOMIZABLE!**

EPH18/EPXH18

Model No.	CFM	Width	Painted	Stainless	Overlay*	# Lts
EPH18-236	600	36"	2,521	3,187	4,434	2
EPH18-242		42"	2,695	3,371	4,737	3
EPH18-248		48"	2,868	3,568	5,113	3

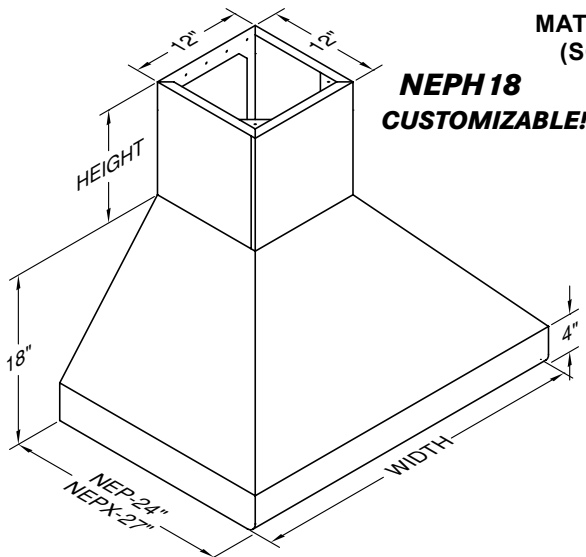
USE EPXH18 MODEL NUMBER PREFIX FOR 27" DEPTH PROJECTION.
• FOR OVERLAY MODELS, SPECIFY INTERIOR COLOR.

EPTH18/EPXTH18

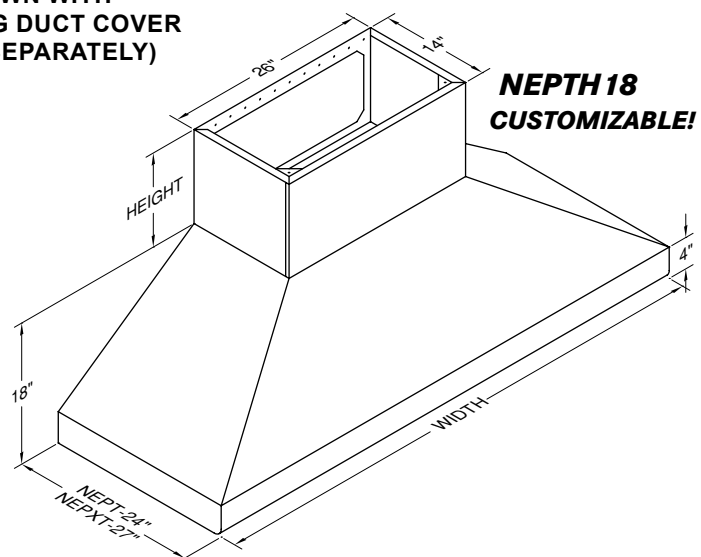
Model No.	CFM	Width	Painted	Stainless	Overlay*	# Lts	Incl.
EPTH18-342	900	42"	3,880	4,635	6,031	3	VP562
EPTH18-348		48"	3,975	4,730	6,233	3	VP562
EPTH18-354		54"	4,357	5,425	6,861	4	VP562
EPTH18-360	1200	60"	4,531	5,669	7,185	4	VP562
EPTH18-366		66"	4,692	5,924	7,509	4	VP562
EPTH18-454		54"	4,737	5,841	7,242	4	VP563
EPTH18-460		60"	4,912	6,085	7,566	4	VP563
EPTH18-466		66"	5,073	6,341	7,890	4	VP563

USE EPXTH18 MODEL NUMBER PREFIX FOR 27" DEPTH PROJECTION.
• FOR OVERLAY MODELS, SPECIFY INTERIOR COLOR.

SHOWN WITH
MATCHING DUCT COVER
(SOLD SEPARATELY)



**NEPH18
CUSTOMIZABLE!**



**NEPTH18
CUSTOMIZABLE!**

NEPH18/NEPXH18

Model No.	CFM	Width	Painted	Stainless	Overlay*	# Lts
NEPH18-236	600	36"	2,882	3,494	4,294	2
NEPH18-242		42"	2,987	3,702	5,253	3
NEPH18-248		48"	3,167	3,850	5,320	3

USE NEPXH18 MODEL NUMBER PREFIX FOR 27" DEPTH PROJECTION.
• FOR OVERLAY MODELS, SPECIFY INTERIOR COLOR.

NEPTH18/NEPXTH18

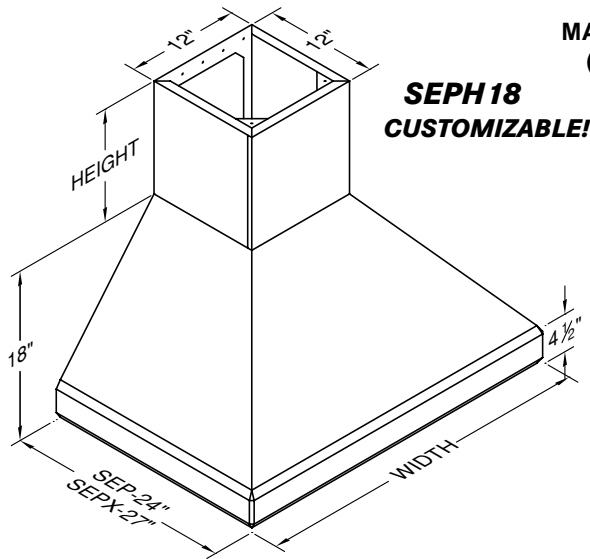
Model No.	CFM	Width	Painted	Stainless	Overlay*	# Lts	Incl.
NEPTH18-342	900	42"	4,135	5,000	6,289	3	VP562
NEPTH18-348		48"	4,230	5,095	6,490	3	VP562
NEPTH18-354		54"	4,611	5,681	7,118	4	VP562
NEPTH18-360	1200	60"	4,773	5,924	7,442	4	VP562
NEPTH18-366		66"	4,949	6,169	7,767	4	VP562
NEPTH18-454		54"	4,992	6,098	7,498	4	VP563
NEPTH18-460		60"	5,154	6,341	7,822	4	VP563
NEPTH18-466		66"	5,328	6,585	8,146	4	VP563

USE NEPXTH18 MODEL NUMBER PREFIX FOR 27" DEPTH PROJECTION.
• FOR OVERLAY MODELS, SPECIFY INTERIOR COLOR.

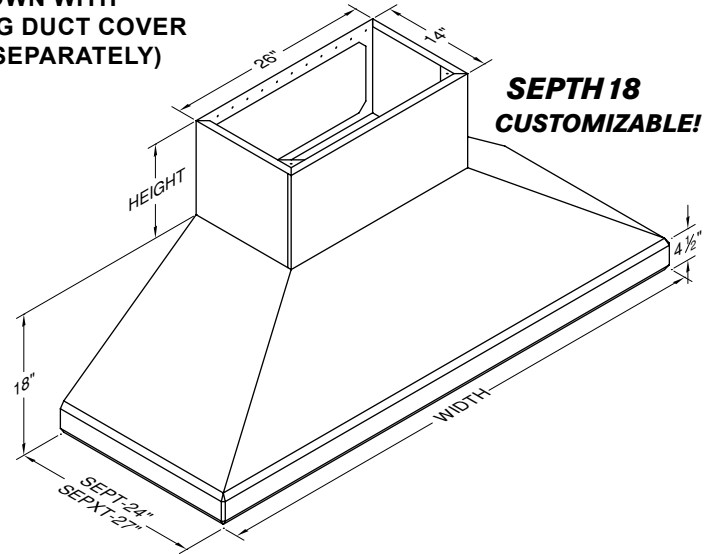
EURO-STYLE WALL MOUNT

REC. MOUNTING HEIGHT FROM
COOKING SURFACE: 30"

900 CFM SEPTH18 MODELS: VP562 TRANSITION INCLUDED
1200 CFM SEPTH18 MODELS: VP563 TRANSITION INCLUDED



SHOWN WITH
MATCHING DUCT COVER
(SOLD SEPARATELY)



SEPH18/SEPHX18

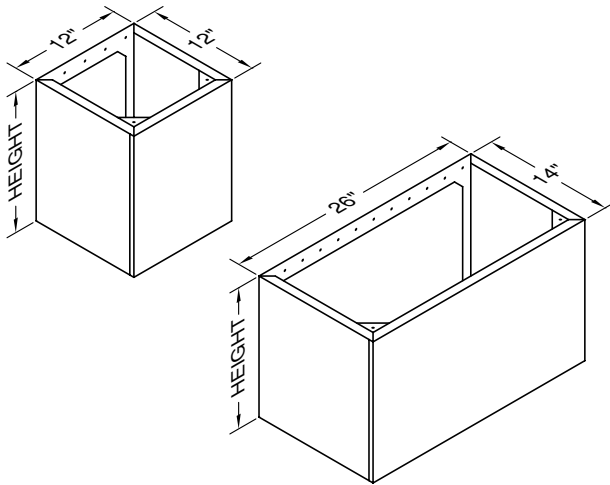
Model No.	CFM	Width	Painted	Stainless	# Lts
SEPH18-236	600	36"	2,999	3,567	2
SEPH18-242		42"	3,187	3,755	3
SEPH18-248		48"	3,280	3,846	3

USE SEPHX18 MODEL NUMBER PREFIX FOR 27" DEPTH PROJECTION.

SEPTH18/SEPTX18

Model No.	CFM	Width	Painted	Stainless	# Lts	Incl.
SEPTH18-342	900	42"	4,362	5,463	3	VP562
SEPTH18-348		48"	4,731	5,573	3	VP562
SEPTH18-354		54"	5,091	6,152	4	VP562
SEPTH18-360		60"	5,268	6,397	4	VP562
SEPTH18-366		66"	5,432	6,658	4	VP562
SEPTH18-454		1200	54"	5,472	6,569	4
SEPTH18-460	60"		5,648	6,814	4	VP563
SEPTH18-466	66"		5,813	7,074	4	VP563

USE SEPTX18 MODEL NUMBER PREFIX FOR 27" DEPTH PROJECTION.



18" T EURO-STYLE WALL MOUNT DUCT COVERS

Model No.	Width	Height	Painted	Stainless	Overlay	Ceiling
WDCRND-12/12	12"	12"	471	510	576	8'
WDCRND-12/24		24"	538	628	747	9'
WDCRND-12/36		36"	615	732	928	10'
WDCRND-26/12	26"	12"	550	642	785	8'
WDCRND-26/24		24"	707	889	1,164	9'
WDCRND-26/36		36"	864	1,125	1,545	10'
CUSTOM	WIDTH X HEIGHT X		0.49	0.79	1.23	
	PLUS			405		
FINISHED TOP	WIDTH X DEPTH X		0.49	0.79	1.23	
	PLUS			237		
SLOPED TOP •	ADD			405		

CEILING BASED ON REC. MAXIMUM HOOD MOUNTING HEIGHT.
• SPECIFY FRONT TO BACK OR LEFT TO RIGHT DIMENSIONS.

18" TALL WALL EURO-STYLE MOUNT HOOD VARIATIONS

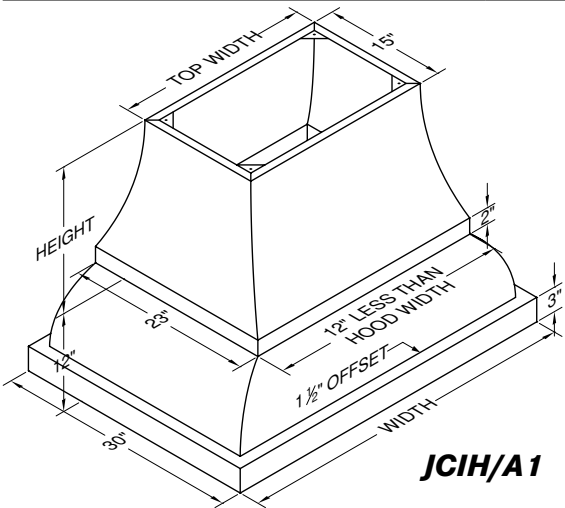
WIDTHS OVER 48"/66"				SPECIAL WIDTH (LESS THAN 48"/66")	
FOR EACH 6" INCREMENT	PAINTED	STAINLESS	OVERLAY	USE NEXT LARGEST SIZE ON PRICE LIST,	
PLUS	184	263	327	PLUS	237
DEPTH OVER 24" (EXCLUDING 27")				STAINLESS STEEL INTERIOR ON OVERLAY HOOD	
WIDTH X EXTRA DEPTH X	PAINTED	STAINLESS	OVERLAY	SUBTRACT PAINTED HOOD PRICE FROM STAINLESS HOOD PRICE	
PLUS	1.17	1.72	2.34	CUSTOM COLOR (SEE CUSTOM COLOR CHART)	
		405		ADD	714
TRIM OPTIONS					
SEE PAGES 52-53 FOR FINISH AND TRIM OPTIONS					

DESIGNER SERIES ISLAND

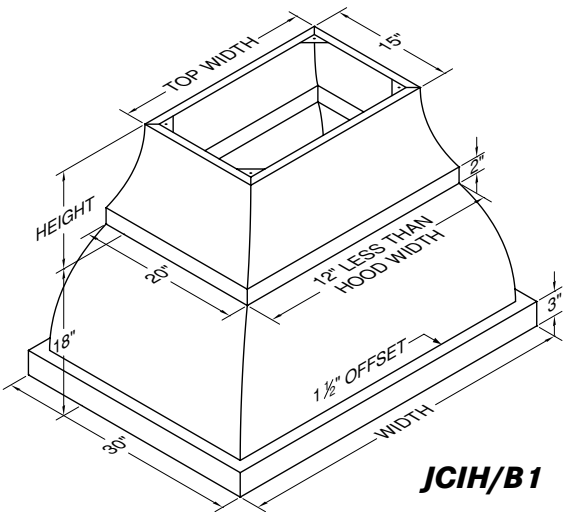
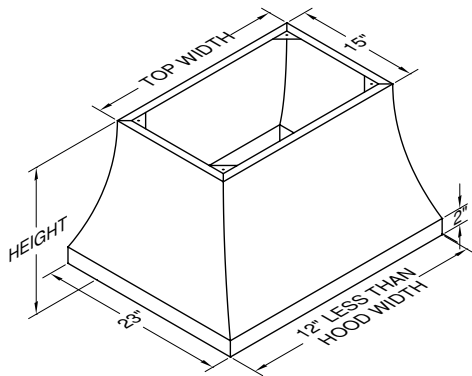
REC. MOUNTING HEIGHT FROM COOKING SURFACE: 30"

MODELS SHOWN WITH MATCHING DUCT COVER (SOLD SEPARATELY)

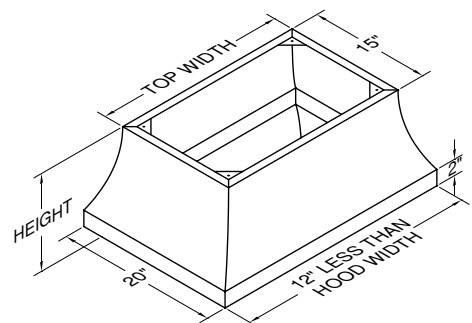
550 CFM MODELS: VP565 TRANSITION INCLUDED
1100 CFM MODELS: VP564 TRANSITION INCLUDED



JCIH/A1



JCIH/B1



JCIH/A1

Model No.	CFM	Width	Top W.	Painted	Stainless	Overlay*	# Lts
JCIH236/A1	550*	36"	24"	3,739	4,860	6,912	4
JCIH242/A1		42"	30"	3,865	5,095	7,174	4
JCIH248/A1		48"	36"	3,975	5,183	7,368	4
JCIH254/A1		54"	42"	4,311	5,617	8,003	4
JCIH448/A1	1100+	48"	36"	4,784	6,218	8,176	4
JCIH454/A1		54"	42"	5,119	6,652	8,811	4
JCIH460/A1		60"	48"	5,648	7,367	10,715	4
JCIH466/A1		66"	54"	5,831	7,605	11,074	4

*FOR OVERLAY HOODS, SPECIFY INTERIOR COLOR.
*VP565 TRANSITION TO 8" ROUND INCLUDED.
+VP564 TRANSITION TO 12" ROUND INCLUDED.

DUCT COVERS FOR JCIH/A1

Model No.	Width	Top W.	Height	Painted	Stainless	Overlay*	Ceiling
ICDC-24/15/18	24"	18"	18"	1,741	1,832	2,080	8'
ICDC-24/15/30		15"	30"	1,925	2,080	2,499	9'
ICDC-24/15/42		15"	42"	2,106	2,330	2,919	10'
ICDC-30/15/18	30"	24"	18"	1,806	1,937	2,238	8'
ICDC-30/15/30		18"	30"	2,041	2,238	2,762	9'
ICDC-30/15/42		18"	42"	2,276	2,552	3,284	10'
ICDC-36/15/18	36"	30"	18"	1,885	2,029	2,394	8'
ICDC-36/15/30		24"	30"	2,159	2,394	3,023	9'
ICDC-36/15/42		18"	42"	2,434	2,774	3,638	10'
ICDC-42/15/18	42"	36"	18"	1,950	2,120	2,552	8'
ICDC-42/15/30		30"	30"	2,276	2,552	3,284	9'
ICDC-42/15/42		24"	42"	2,590	2,983	4,005	10'
ICDC-48/15/18	48"	42"	18"	2,016	2,212	2,709	8'
ICDC-48/15/30		36"	30"	2,381	2,709	3,533	9'
ICDC-48/15/42		30"	42"	2,762	3,207	4,370	10'
ICDC-54/15/18	54"	48"	18"	2,080	2,303	2,865	8'
ICDC-54/15/30		42"	30"	2,499	2,865	3,796	9'
ICDC-54/15/42		36"	42"	2,919	3,428	4,724	10'

*TRIM REQUIRED ON MODELS EXCEEDING 35" WIDTH AND 30" HEIGHT.
CEILING BASED ON REC. MAXIMUM HOOD MOUNTING HEIGHT.

JCIH/B1

Model No.	CFM	Width	Top W.	Painted	Stainless	Overlay*	# Lts
JCIH236/B1	550*	36"	24"	3,739	4,860	6,912	4
JCIH242/B1		42"	30"	3,865	5,095	7,174	4
JCIH248/B1		48"	36"	3,975	5,183	7,368	4
JCIH254/B1		54"	42"	4,311	5,617	8,003	4
JCIH448/B1	1100+	48"	36"	4,784	6,218	8,176	4
JCIH454/B1		54"	42"	5,119	6,652	8,811	4
JCIH460/B1		60"	48"	5,648	7,367	10,715	4
JCIH466/B1		66"	54"	5,831	7,605	11,074	4

*FOR OVERLAY HOODS, SPECIFY INTERIOR COLOR.
*VP565 TRANSITION TO 8" ROUND INCLUDED.
+VP564 TRANSITION TO 12" ROUND INCLUDED.

DUCT COVERS FOR JCIH/B1

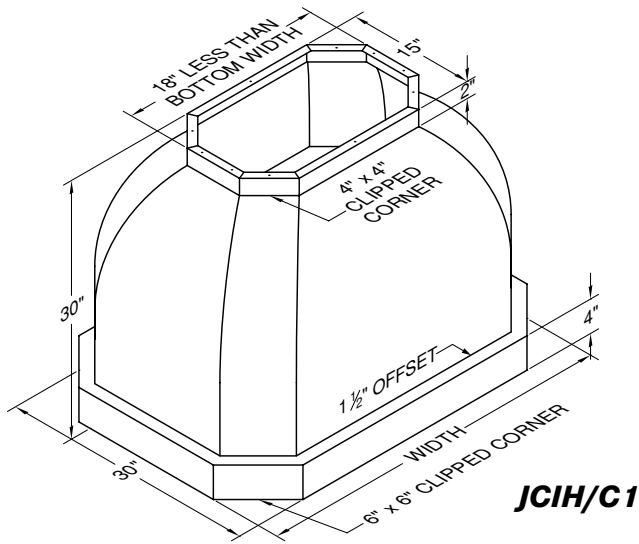
Model No.	Width	Top W.	Height	Painted	Stainless	Overlay*	Ceiling
ICDC-24/15/12	24"	18"	12"	1,741	1,832	2,080	8'
ICDC-24/15/24		18"	24"	1,925	2,080	2,499	9'
ICDC-24/15/36		15"	36"	2,106	2,330	2,919	10'
ICDC-30/15/12	30"	24"	12"	1,806	1,937	2,238	8'
ICDC-30/15/24		18"	24"	2,041	2,238	2,762	9'
ICDC-30/15/36		18"	36"	2,276	2,552	3,284	10'
ICDC-36/15/12	36"	30"	12"	1,885	2,029	2,394	8'
ICDC-36/15/24		24"	24"	2,159	2,394	3,023	9'
ICDC-36/15/36		18"	36"	2,434	2,774	3,638	10'
ICDC-42/15/12	42"	36"	12"	1,950	2,120	2,552	8'
ICDC-42/15/24		30"	24"	2,276	2,552	3,284	9'
ICDC-42/15/36		24"	36"	2,590	2,983	4,005	10'
ICDC-48/15/12	48"	42"	12"	2,016	2,212	2,709	8'
ICDC-48/15/24		36"	24"	2,381	2,709	3,533	9'
ICDC-48/15/36		30"	36"	2,762	3,207	4,370	10'
ICDC-54/15/12	54"	48"	12"	2,080	2,303	2,865	8'
ICDC-54/15/24		42"	24"	2,499	2,865	3,796	9'
ICDC-54/15/36		36"	36"	2,919	3,428	4,724	10'

*TRIM REQUIRED ON MODELS EXCEEDING 35" WIDTH AND 30" HEIGHT.
CEILING BASED ON REC. MAXIMUM HOOD MOUNTING HEIGHT.

DESIGNER SERIES ISLAND

REC. MOUNTING HEIGHT FROM
COOKING SURFACE: 30"

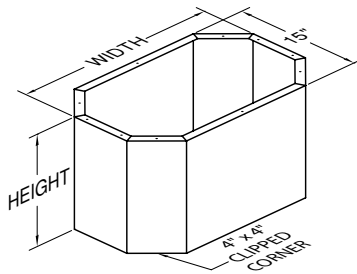
550 CFM MODELS: VP565 TRANSITION INCLUDED
1100 CFM MODELS: VP564 TRANSITION INCLUDED



JCIH/C1

Model No.	CFM	Width	Painted	Stainless	Overlay*	# Lts
JCIH236/C1	550*	36"	5,152	6,520	8,558	4
JCIH242/C1		42"	5,374	6,844	8,987	4
JCIH248/C1		48"	5,555	7,108	9,056	4
JCIH254/C1		54"	5,945	7,654	10,108	4
JCIH448/C1	1100+	48"	6,363	8,143	9,865	4
JCIH454/C1		54"	6,753	8,689	10,916	4
JCIH460/C1		60"	7,254	9,403	12,742	4
JCIH466/C1		66"	7,519	9,767	13,253	4

*FOR OVERLAY HOODS, SPECIFY INTERIOR COLOR.
*VP565 TRANSITION TO 8" ROUND INCLUDED.
+VP564 TRANSITION TO 12" ROUND INCLUDED.



DUCT COVERS FOR JCIH/C1

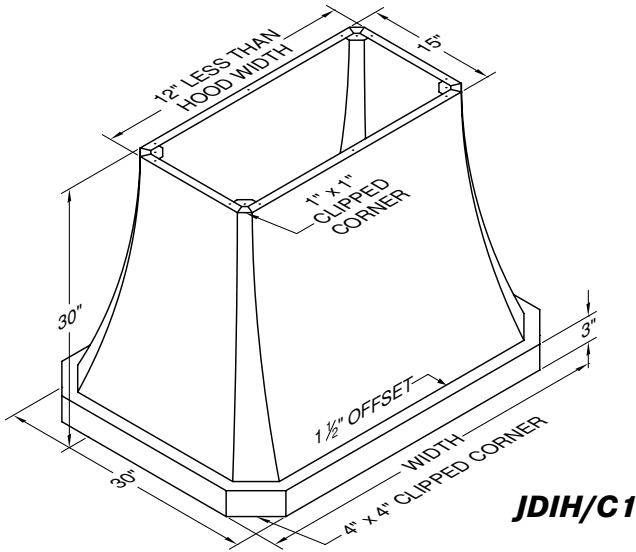
Model No.	Width	Height	Painted	Stainless	Overlay	Ceiling
IDCC4-18/12	18"	12"	1,308	1,361	1,478	9'
IDCC4-18/24		24"	1,453	1,545	1,792	10'
IDCC4-24/12	24"	12"	1,361	1,413	1,583	9'
IDCC4-24/24		24"	1,545	1,662	2,001	10'
IDCC4-30/12	30"	12"	1,400	1,478	1,688	9'
IDCC4-30/24		24"	1,636	1,792	2,212	10'
IDCC4-36/12	36"	12"	1,453	1,545	1,792	9'
IDCC4-36/24		24"	1,728	1,910	2,409	10'
IDCC4-42/12	42"	12"	1,492	1,610	1,897	9'
IDCC4-42/24		24"	1,820	2,041	2,618	10'
IDCC4-48/12	48"	12"	1,545	1,662	2,001	9'
IDCC4-48/24		24"	1,910	2,159	2,827	10'

CEILING BASED ON REC. MAXIMUM HOOD MOUNTING HEIGHT.

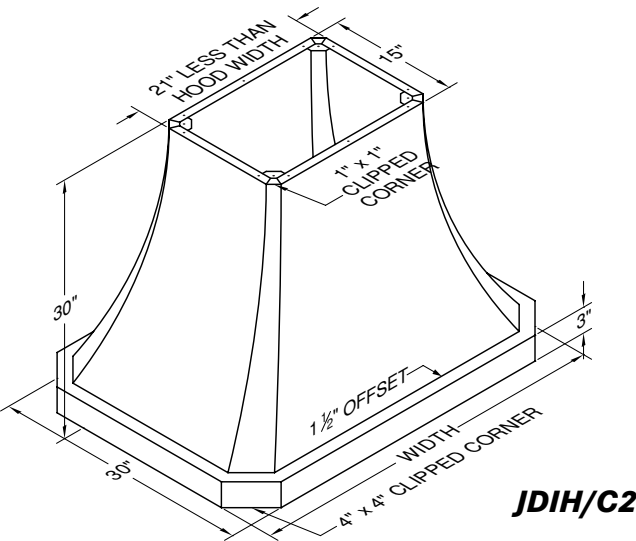
DESIGNER SERIES ISLAND

REC. MOUNTING HEIGHT FROM
COOKING SURFACE: 30"

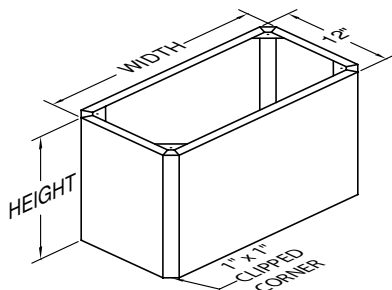
550 CFM MODELS: VP565 TRANSITION INCLUDED
1100 CFM MODELS: VP564 TRANSITION INCLUDED



JDIH/C1



JDIH/C2



JDIH/C1

Model No.	CFM	Width	Painted	Stainless	Overlay*	# Lts
JDIH236/C1	550*	36"	5,152	6,520	8,558	4
JDIH242/C1		42"	5,374	6,844	8,987	4
JDIH248/C1		48"	5,555	7,108	9,056	4
JDIH254/C1		54"	5,945	7,654	10,108	4
JDIH448/C1	1100+	48"	6,363	8,143	9,865	4
JDIH454/C1		54"	6,753	8,689	10,916	4
JDIH460/C1		60"	7,254	9,403	12,742	4
JDIH466/C1		66"	7,519	9,767	13,253	4

*FOR OVERLAY HOODS, SPECIFY INTERIOR COLOR.
*VP565 TRANSITION TO 8" ROUND INCLUDED.
+VP564 TRANSITION TO 12" ROUND INCLUDED.

JDIH/C2

Model No.	CFM	Width	Painted	Stainless	Overlay*	# Lts
JDIH236/C2	550*	36"	5,152	6,520	8,558	4
JDIH242/C2		42"	5,374	6,844	8,987	4
JDIH248/C2		48"	5,555	7,108	9,056	4
JDIH254/C2		54"	5,945	7,654	10,108	4
JDIH448/C2	1100+	48"	6,363	8,143	9,865	4
JDIH454/C2		54"	6,753	8,689	10,916	4
JDIH460/C2		60"	7,254	9,403	12,742	4
JDIH466/C2		66"	7,519	9,767	13,253	4

*FOR OVERLAY HOODS, SPECIFY INTERIOR COLOR.
*VP565 TRANSITION TO 8" ROUND INCLUDED.
+VP564 TRANSITION TO 12" ROUND INCLUDED.

DUCT COVERS FOR JDIH/C1 & JDIH/C2

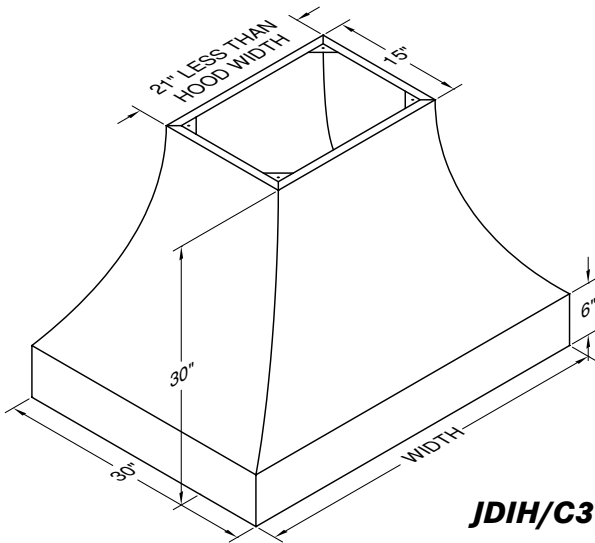
Model No.	Width	Height	Painted	Stainless	Overlay	Ceiling
IDCC1-15/12	15"	12"	1,282	1,321	1,427	9'
IDCC1-15/24		24"	1,400	1,478	1,688	10'
IDCC1-21/12	21"	12"	1,336	1,387	1,532	9'
IDCC1-21/24		24"	1,492	1,610	1,897	10'
IDCC1-24/12	24"	12"	1,361	1,413	1,583	9'
IDCC1-24/24		24"	1,545	1,662	2,001	10'
IDCC1-27/12	27"	12"	1,374	1,453	1,636	9'
IDCC1-27/24		24"	1,583	1,728	2,106	10'
IDCC1-30/12	30"	12"	1,400	1,478	1,688	9'
IDCC1-30/24		24"	1,636	1,792	2,212	10'
IDCC1-33/12	33"	12"	1,427	1,505	1,741	9'
IDCC1-33/24		24"	1,675	1,859	2,303	10'
IDCC1-36/12	36"	12"	1,453	1,545	1,792	9'
IDCC1-36/24		24"	1,728	1,910	2,409	10'
IDCC1-39/12	39"	12"	1,466	1,571	1,846	9'
IDCC1-39/24		24"	1,767	1,976	2,513	10'
IDCC1-42/12	42"	12"	1,492	1,610	1,897	9'
IDCC1-42/24		24"	1,820	2,041	2,618	10'
IDCC1-45/12	45"	12"	1,517	1,636	1,950	9'
IDCC1-45/24		24"	1,859	2,106	2,723	10'
IDCC1-48/12	48"	12"	1,545	1,662	2,001	9'
IDCC1-48/24		24"	1,910	2,159	2,827	10'
IDCC1-54/12	54"	12"	1,583	1,728	2,106	9'
IDCC1-54/24		24"	2,001	2,290	3,037	10'

*TRIM REQUIRED ON MODELS EXCEEDING 35" WIDTH AND 30" HEIGHT.
CEILING BASED ON REC. MAXIMUM HOOD MOUNTING HEIGHT.

DESIGNER SERIES ISLAND

REC. MOUNTING HEIGHT FROM
COOKING SURFACE: 30"

550 CFM MODELS: VP565 TRANSITION INCLUDED
1100 CFM MODELS: VP564 TRANSITION INCLUDED

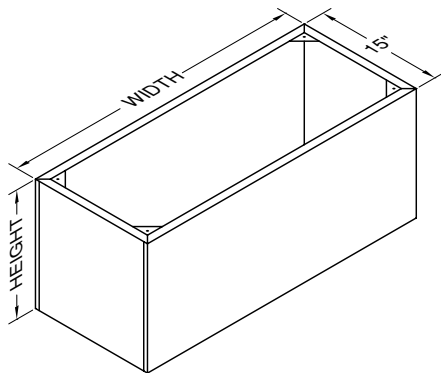


JDIH/C3

JDIH/C3

Model No.	CFM	Width	Painted	Stainless	Overlay*	# Lts
JDIH236/C3	550*	36"	5,152	6,520	8,558	4
JDIH242/C3		42"	5,374	6,844	8,987	4
JDIH248/C3		48"	5,555	7,108	9,056	4
JDIH254/C3		54"	5,945	7,654	10,108	4
JDIH448/C3	1100+	48"	6,363	8,143	9,865	4
JDIH454/C3		54"	6,753	8,689	10,916	4
JDIH460/C3		60"	7,254	9,403	12,742	4
JDIH466/C3		66"	7,519	9,767	13,253	4

*FOR OVERLAY HOODS, SPECIFY INTERIOR COLOR.
*VP565 TRANSITION TO 8" ROUND INCLUDED.
+VP564 TRANSITION TO 12" ROUND INCLUDED.



IDCRND FOR JDIH/C3

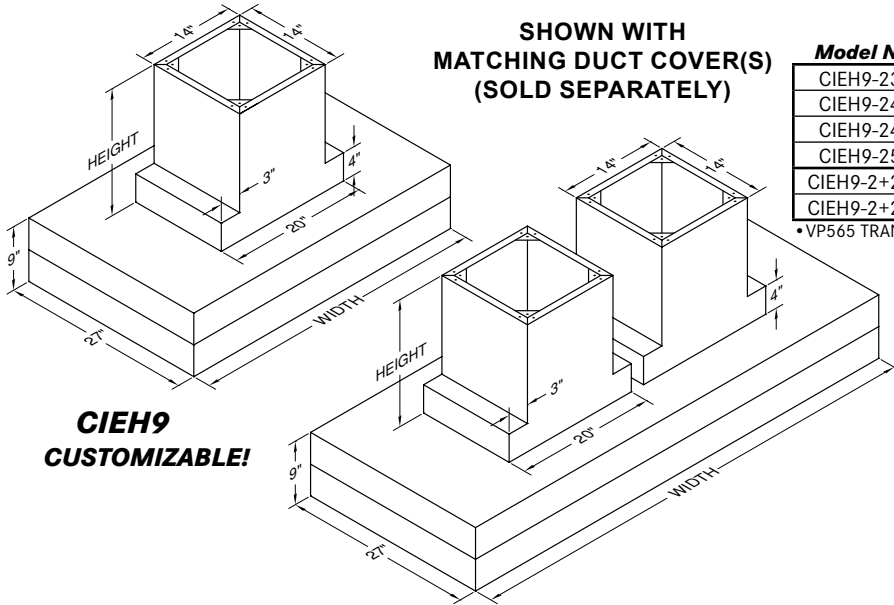
Model No.	Width	Height	Painted	Stainless	Overlay	Ceiling
IDCRND-15/12	15"	12"	510	550	655	8'
IDCRND-15/24		24"	628	707	916	9'
IDCRND-21/12	21"	12"	567	624	767	9'
IDCRND-21/24		24"	729	842	1,131	10
IDCRND-27/12	27"	12"	612	686	873	9'
IDCRND-27/24		24"	821	968	1,339	10
IDCRND-33/12	33"	12"	659	750	977	9'
IDCRND-33/24		24"	914	1,094	1,546	10
IDCRND-39/12	39"	12"	706	811	1,078	9'
IDCRND-39/24		24"	1,006	1,219	1,752	10
IDCRND-45/12	45"	12"	752	875	1,182	9'
IDCRND-45/24		24"	1,099	1,343	1,959	10
CUSTOM	WIDTH X HEIGHT X		0.65	0.87	1.45	
	PLUS			405		
SLOPED TOP*	ADD			405		

CEILING BASED ON REC. MAXIMUM HOOD MOUNTING HEIGHT.
*SPECIFY FRONT TO BACK OR LEFT TO RIGHT DIMENSIONS.

CONTEMPORARY ISLAND

REC. MOUNTING HEIGHT FROM COOKING SURFACE: 30"

550 CFM MODELS: VP565 TRANSITION INCLUDED
1100 CFM MODELS: TWO VP565 TRANSITIONS INCLUDED



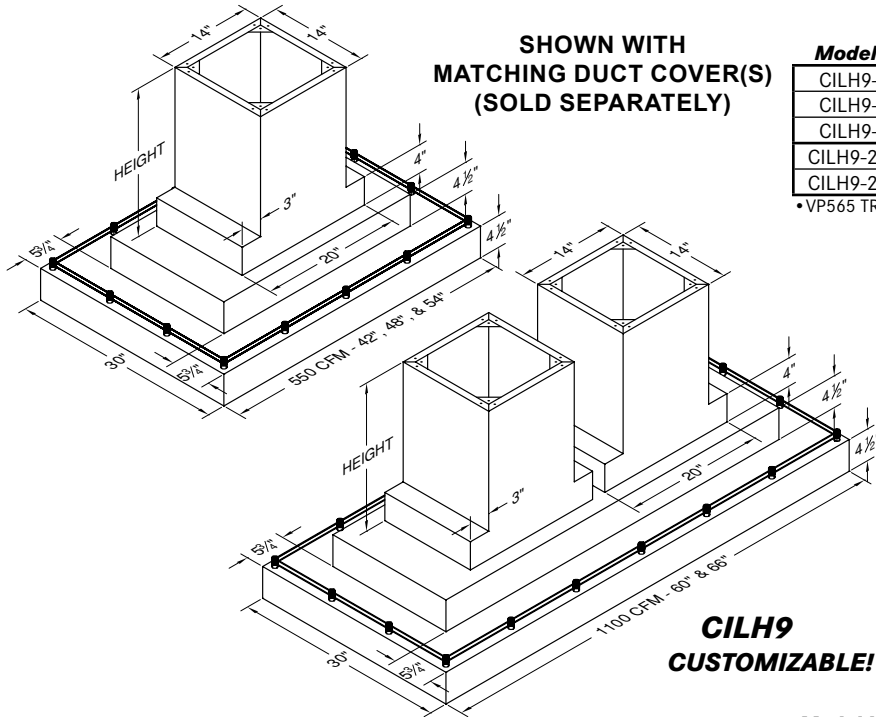
CIEH9
CUSTOMIZABLE!

SHOWN WITH
MATCHING DUCT COVER(S)
(SOLD SEPARATELY)

CIEH9

Model No.	CFM •	Width	Painted	Stainless	# Lts
CIEH9-236	550	36"	3,427	4,345	4
CIEH9-242		42"	3,453	4,503	4
CIEH9-248		48"	3,638	4,755	4
CIEH9-254		54"	3,941	5,143	4
CIEH9-2+260	1100	60"	5,277	6,861	6
CIEH9-2+266		66"	5,438	7,090	6

•VP565 TRANSITION TO 8" ROUND INCLUDED WITH EACH DUAL BLOWER.



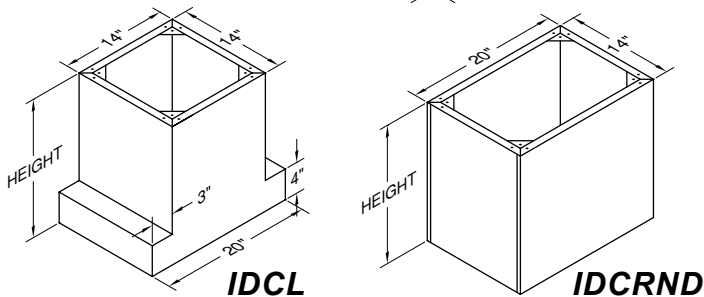
CILH9
CUSTOMIZABLE!

SHOWN WITH
MATCHING DUCT COVER(S)
(SOLD SEPARATELY)

CILH9

Model No.	CFM •	Width	Painted	Stainless	# Lts
CILH9-242	550	42"	3,453	4,503	4
CILH9-248		48"	3,638	4,755	4
CILH9-254		54"	3,941	5,154	4
CILH9-2+260	1100	60"	5,398	6,861	6
CILH9-2+266		66"	5,438	7,090	6

•VP565 TRANSITION TO 8" ROUND INCLUDED WITH EACH DUAL BLOWER.



IDCL

IDCRND

IDCL/IDCRND FOR CIEH9/CILH9

Model No.	Width	Height	Painted	Stainless	Ceiling
IDCL-14/20/9	20"	9"	510	550	7'
IDCL-14/20/21		21"	668	759	8'
IDCL-14/20/33		33"	824	956	9'
IDCRND-14/20/9	20"	9"	510	550	7'
IDCRND-14/20/21		21"	668	759	8'
IDCRND-14/20/33		33"	824	956	9'
IDCRND-14/20/45		45"	968	1,059	10'
CUSTOM	WIDTH X HEIGHT X	0.65	0.87		
	PLUS			405	
SLOPED TOP •	ADD			405	

CEILING BASED ON REC. MAXIMUM HOOD MOUNTING HEIGHT.
•SPECIFY FRONT TO BACK OR LEFT TO RIGHT DIMENSIONS.

CIEH9/CILH9 VARIATIONS

WIDTHS OVER 66"

FOR EACH 6" INCREMENT PLUS

PAINTED 209
STAINLESS 275
237

SPECIAL WIDTH (LESS THAN 66")

USE NEXT LARGEST SIZE ON PRICE LIST, PLUS

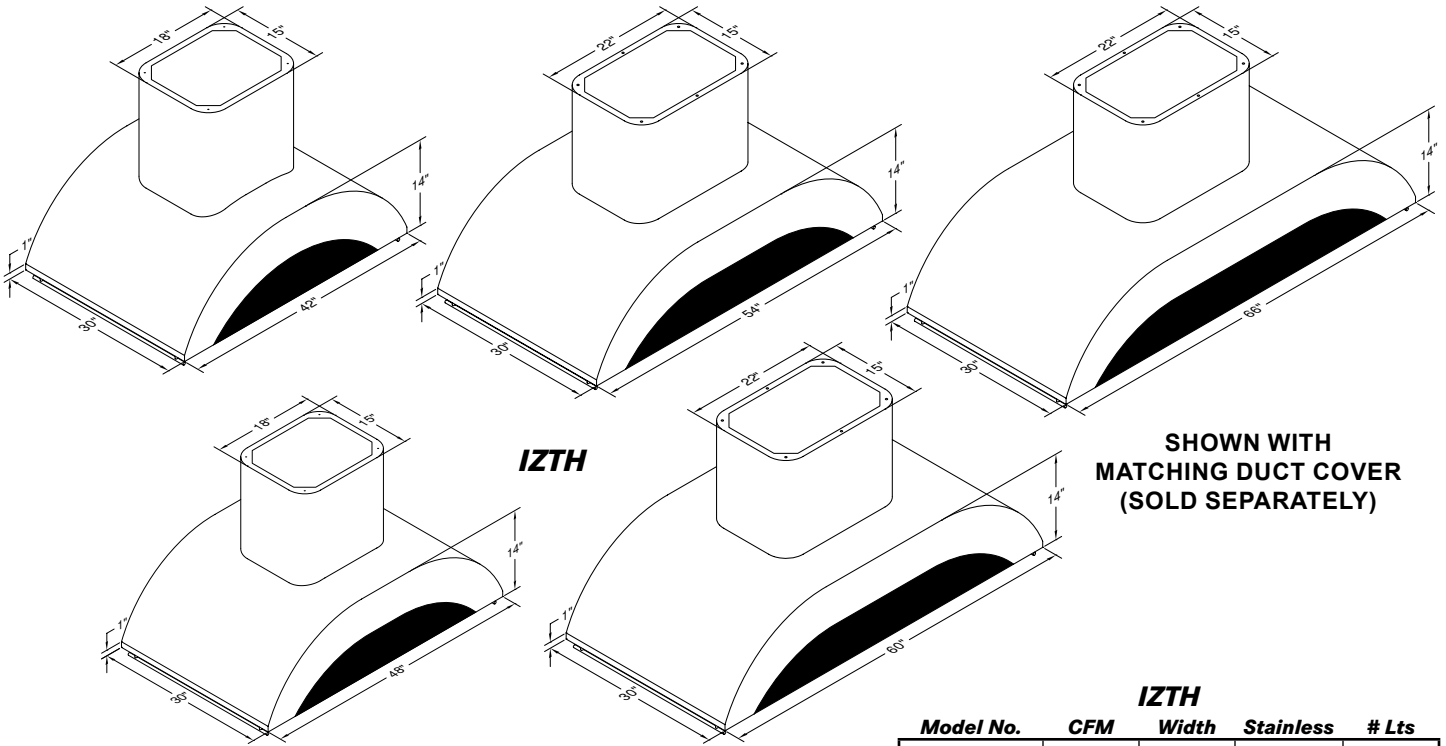
237

REMOVE GALLEY RAIL (CILH9 ONLY)
TO REMOVE RAIL, NO CHARGE

CONTEMPORARY ISLAND

REC. MOUNTING HEIGHT FROM
COOKING SURFACE: 30"

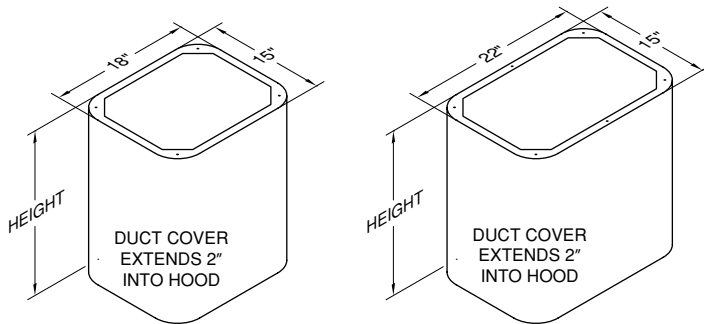
550 CFM MODELS: VP565 TRANSITION INCLUDED
1100 CFM MODELS: VP564 TRANSITION INCLUDED



IZTH VARIATIONS	
REMOVE FIXED LENGTH SS RAIL	
ADD	405

IZTH				
Model No.	CFM	Width	Stainless	# Lts
IZTH-242	550*	42"	5,435	4
IZTH-248		48"	5,553	4
IZTH-454	1100+	54"	7,210	4
IZTH-460		60"	7,764	4
IZTH-466		66"	8,032	4

*VP565 TRANSITION TO 8" ROUND INCLUDED.
+VP564 TRANSITION TO 12" ROUND INCLUDED.



**NOTE: DUCT COVER WILL
HAVE A VISIBLE SEAM ON ONE**

DUCT COVERS FOR IZTH

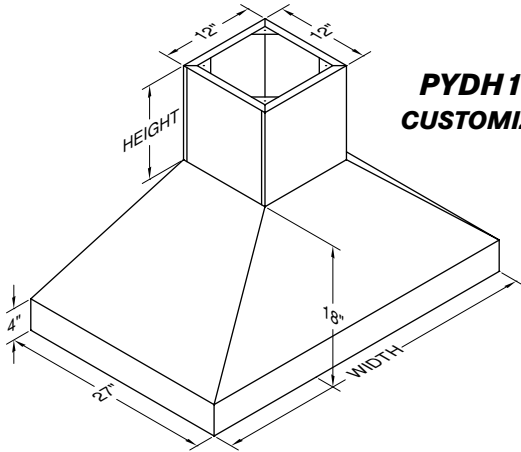
Model No.	Width	Height	Stainless	Ceiling
IZDC-18/6	18"	6"	498	7'
IZDC-18/18		18"	680	8'
IZDC-18/30		30"	864	9'
IZDC-22/6	22"	6"	510	7'
IZDC-22/18		18"	732	8'
IZDC-22/30		30"	956	9'
CUSTOM	WIDTH X HEIGHT X PLUS		0.87 405	

CEILING BASED ON REC. MAXIMUM HOOD MOUNTING HEIGHT.

EURO-STYLE ISLAND

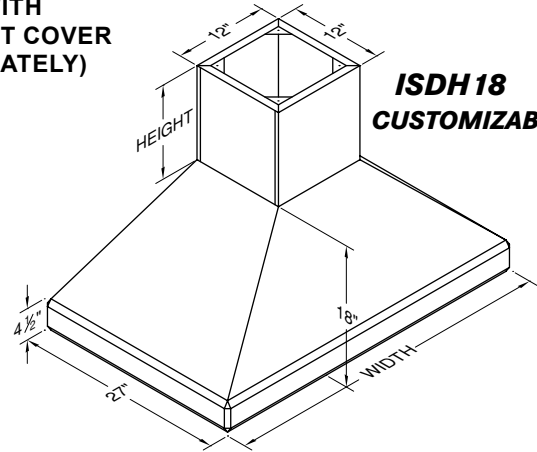
REC. MOUNTING HEIGHT FROM COOKING SURFACE: 30"

550 CFM MODELS: VP565 TRANSITION INCLUDED



PYDH 18
CUSTOMIZABLE!

SHOWN WITH MATCHING DUCT COVER (SOLD SEPARATELY)



ISDH 18
CUSTOMIZABLE!

PYDH 18

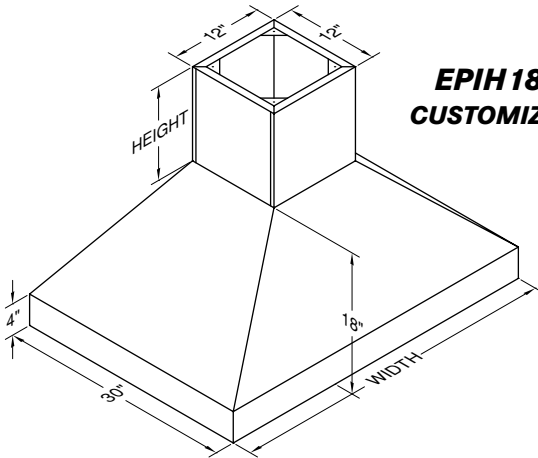
Model No.	CFM	Width	Painted	Stainless	Overlay*	# Lts
PYDH18-236	550	36"	3,334	4,345	6,346	4
PYDH18-242		42"	3,453	4,503	6,583	4
PYDH18-248		48"	3,638	4,755	6,768	4

*FOR OVERLAY MODELS, SPECIFY INTERIOR COLOR.
VP565 TRANSITION TO 8" ROUND INCLUDED.

ISDH 18

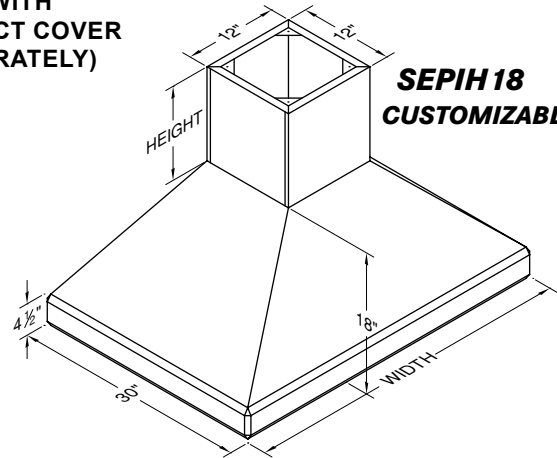
Model No.	CFM	Width	Painted	Stainless	# Lts
ISDH18-236	550	36"	3,849	4,889	4
ISDH18-242		42"	3,968	5,047	4
ISDH18-248		48"	4,061	5,167	4

VP565 TRANSITION TO 8" ROUND INCLUDED.



EPIH 18
CUSTOMIZABLE!

SHOWN WITH MATCHING DUCT COVER (SOLD SEPARATELY)



SEPIH 18
CUSTOMIZABLE!

EPIH 18

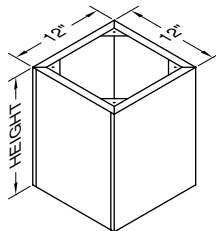
Model No.	CFM	Width	Painted	Stainless	Overlay*	# Lts
EPIH18-236	550	36"	3,427	4,345	6,346	4
EPIH18-242		42"	3,545	4,503	6,583	4
EPIH18-248		48"	3,638	4,755	6,768	4

*FOR OVERLAY MODELS, SPECIFY INTERIOR COLOR.
VP565 TRANSITION TO 8" ROUND INCLUDED.

SEPIH 18

Model No.	CFM	Width	Painted	Stainless	# Lts
SEPIH18-236	550	36"	3,849	4,602	4
SEPIH18-242		42"	3,968	4,755	4
SEPIH18-248		48"	4,061	5,021	4

VP565 TRANSITION TO 8" ROUND INCLUDED.



550 CFM EURO-STYLE ISLAND DUCT COVERS

Model No.	Width	Height	Painted	Stainless	Overlay	Ceiling
IDCRND-12/12	12"	12"	498	523	602	8'
IDCRND-12/24		24"	589	642	811	9'
IDCRND-12/36		36"	680	772	1,007	10'
CUSTOM	WIDTH X HEIGHT X		0.65	0.87	1.45	
	PLUS					405
SLOPED TOP*	ADD					405

CEILING BASED ON REC. MAXIMUM HOOD MOUNTING HEIGHT.
*SPECIFY FRONT TO BACK OR LEFT TO RIGHT DIMENSIONS.

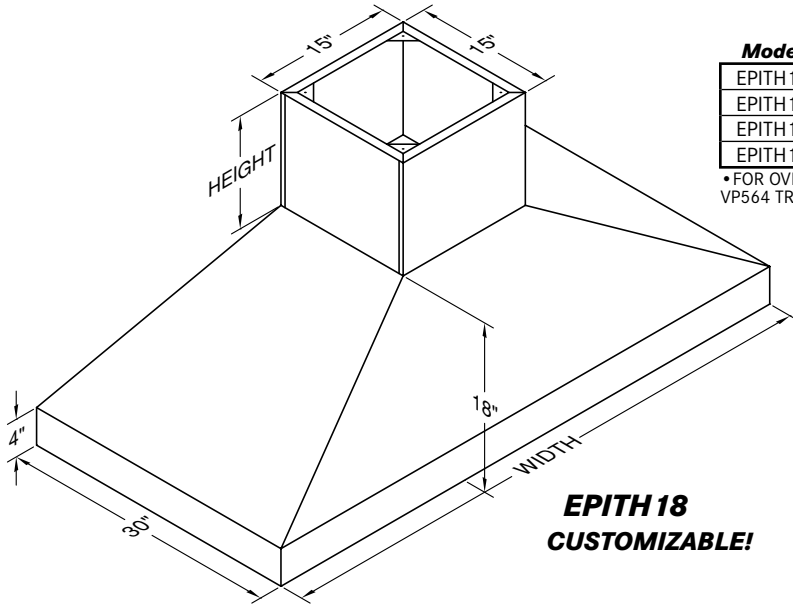
550 CFM EURO-STYLE ISLAND HOOD VARIATIONS

SPECIAL WIDTH (LESS THAN 48") USE NEXT LARGEST SIZE ON PRICE LIST, PLUS	237		
DEPTH OVER 27"/30"	PAINTED	STAINLESS	OVERLAY
WIDTH X EXTRA DEPTH X PLUS	1.3	2.12	2.6
	405		
STAINLESS STEEL INTERIOR ON OVERLAY HOOD SUBTRACT PAINTED HOOD PRICE FROM STAINLESS HOOD PRICE			
REMOTE BLOWER OPTIONS SEE PAGES 46-47 FOR REMOTE BLOWER OPTIONS			
CUSTOM COLOR (SEE CUSTOM COLOR CHART) ADD	714		
TRIM OPTIONS SEE PAGES 52-53 FOR FINISH AND TRIM OPTIONS			

EURO-STYLE ISLAND

REC. MOUNTING HEIGHT FROM
COOKING SURFACE: 30"

1100 CFM MODELS: VP564 TRANSITION INCLUDED



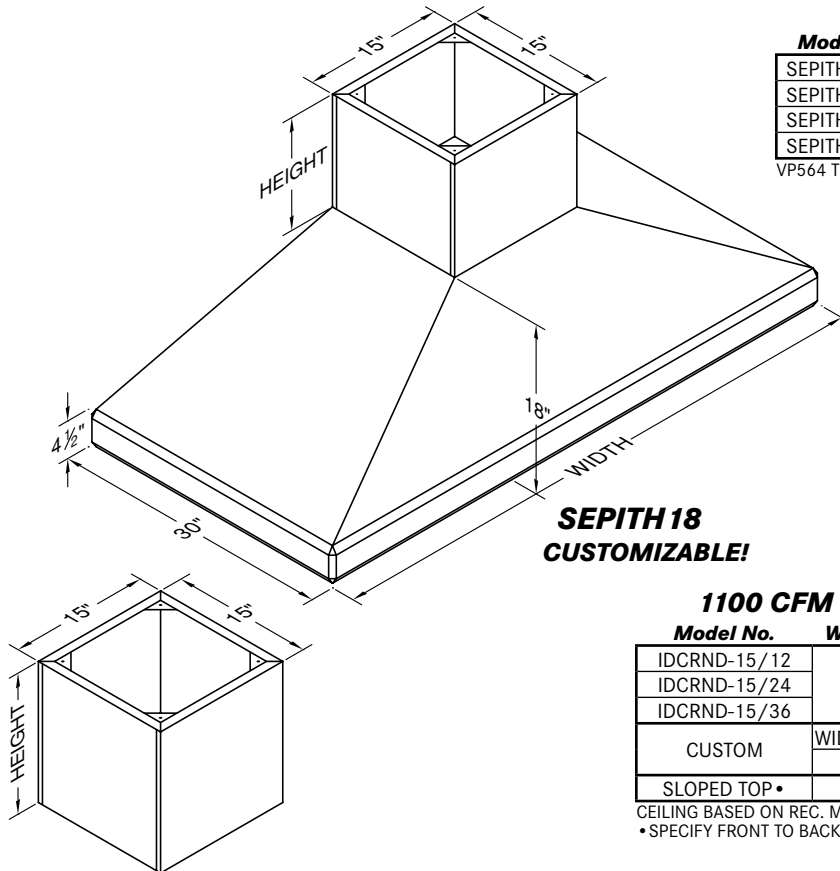
EPITH 18

Model No.	CFM	Width	Painted	Stainless	Overlay*	# Lts
EPITH18-448	1100	48"	4,654	5,805	7,870	4
EPITH18-454		54"	5,113	6,320	8,561	4
EPITH18-460		60"	5,316	6,769	9,007	4
EPITH18-466		66"	5,532	7,052	9,467	4

*FOR OVERLAY HOODS, SPECIFY INTERIOR COLOR.
VP564 TRANSITION TO 12" ROUND INCLUDED.

SHOWN WITH
MATCHING DUCT COVER
(SOLD SEPARATELY)

EPITH 18
CUSTOMIZABLE!



SEPITH 18

Model No.	CFM	Width	Painted	Stainless	# Lts
SEPITH18-448	1100	48"	5,085	6,361	4
SEPITH18-454		54"	5,546	6,904	4
SEPITH18-460		60"	5,749	7,188	4
SEPITH18-466		66"	5,951	7,487	4

VP564 TRANSITION TO 12" ROUND INCLUDED.

SHOWN WITH
MATCHING DUCT COVER
(SOLD SEPARATELY)

SEPITH 18
CUSTOMIZABLE!

1100 CFM EURO-STYLE ISLAND DUCT COVERS

Model No.	Width	Height	Painted	Stainless	Overlay	Ceiling
IDCRND-15/12	15"	12"	510	550	655	8'
IDCRND-15/24		24"	628	707	916	9'
IDCRND-15/36		36"	747	864	1,156	10'
CUSTOM	WIDTH X HEIGHT X PLUS		0.65	0.87	1.45	
SLOPED TOP*	ADD					405

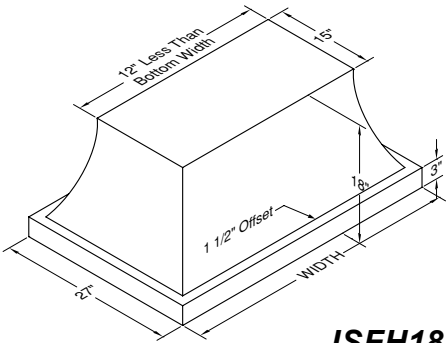
CEILING BASED ON REC. MAXIMUM HOOD MOUNTING HEIGHT.
*SPECIFY FRONT TO BACK OR LEFT TO RIGHT DIMENSIONS.

1100 CFM EURO-STYLE ISLAND HOOD VARIATIONS

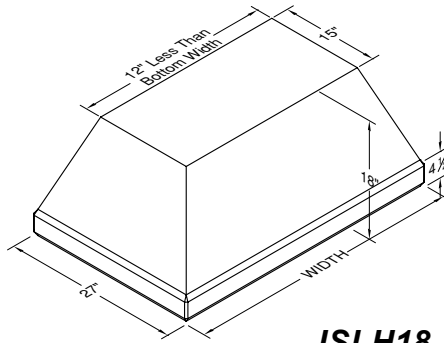
WIDTHS OVER 66"				STAINLESS STEEL INTERIOR ON OVERLAY HOOD
FOR EACH 6" INCREMENT PLUS	PAINTED 209	STAINLESS 275 237	OVERLAY 432	SUBTRACT PAINTED HOOD PRICE FROM STAINLESS HOOD PRICE
SPECIAL WIDTH (LESS THAN 66")				REMOTE BLOWER OPTIONS
USE NEXT LARGEST SIZE ON PRICE LIST, PLUS		237		SEE PAGES 46-47 FOR REMOTE BLOWER OPTIONS
DEPTH OVER 30"				CUSTOM COLOR (SEE CUSTOM COLOR CHART)
WIDTH X EXTRA DEPTH X PLUS	PAINTED 1.3	STAINLESS 2.12 405	OVERLAY 2.6	ADD 714
				TRIM OPTIONS
				SEE PAGES 52-53 FOR FINISH AND TRIM OPTIONS

OTHER ISLAND STYLES

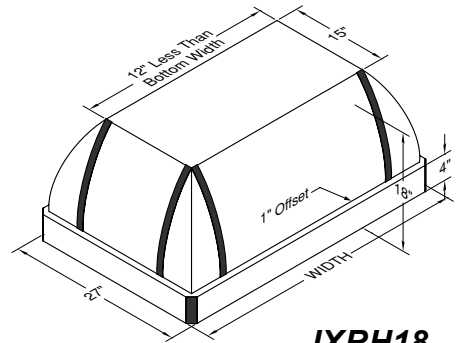
THESE MODELS HAVE BEEN REMOVED FROM OUR PRICING LITERATURE BUT THAT DOES NOT MEAN THAT THEY HAVE BEEN DISCONTINUED. PLEASE CONTACT THE FACTORY FOR PRICING DETAILS ON THESE HOODS.



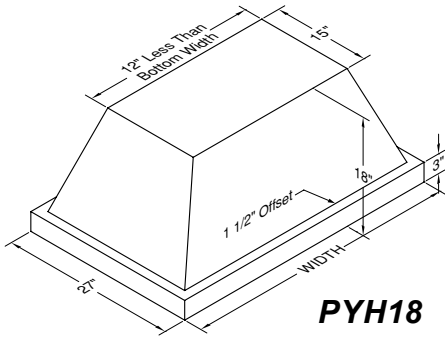
ISFH18



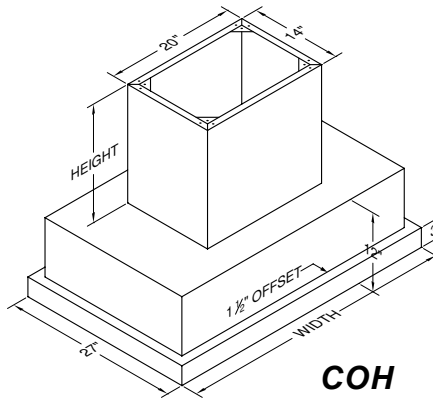
ISLH18



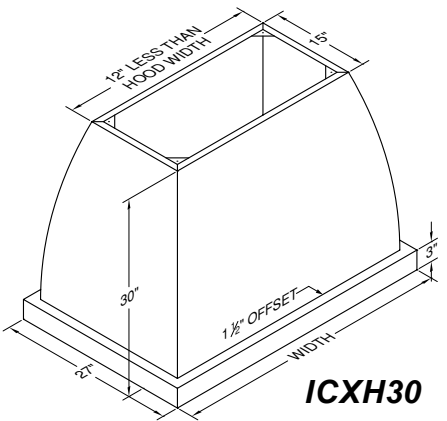
IXRH18



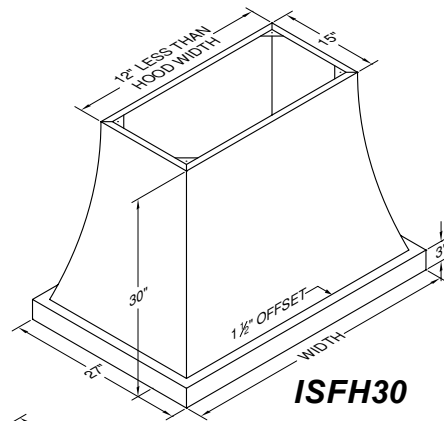
PYH18



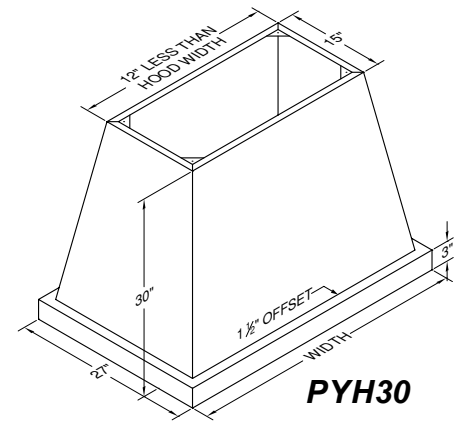
COH



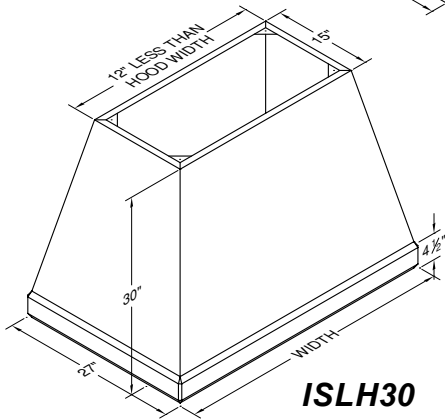
ICXH30



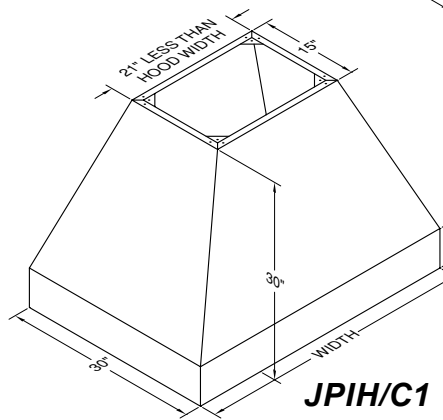
ISFH30



PYH30



ISLH30

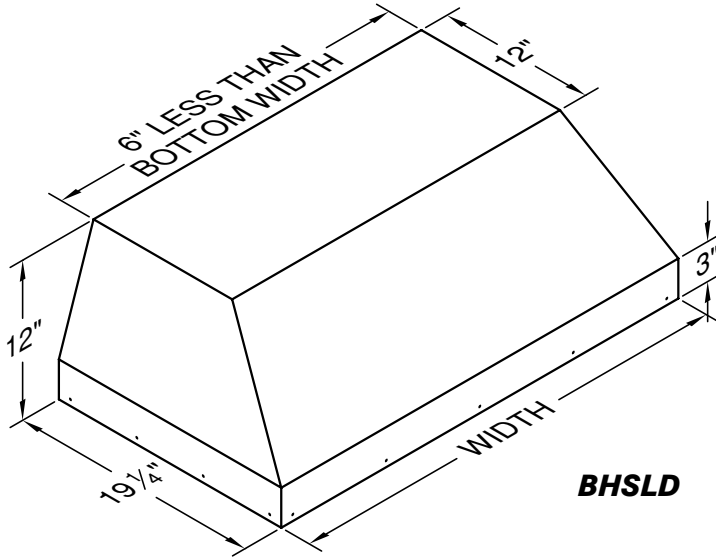


JPIH/C1

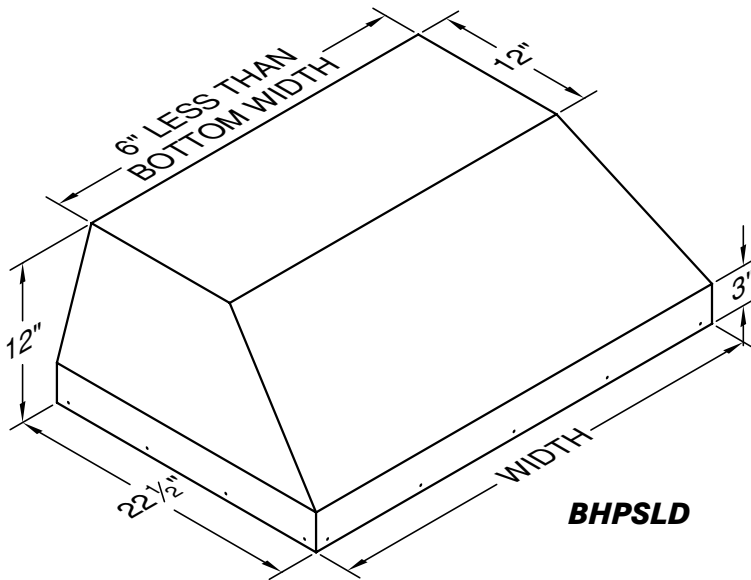
WALL MOUNT LINER INSERTS

REC. MOUNTING HEIGHT FROM COOKING SURFACE:
BHSLD: 24"-27"

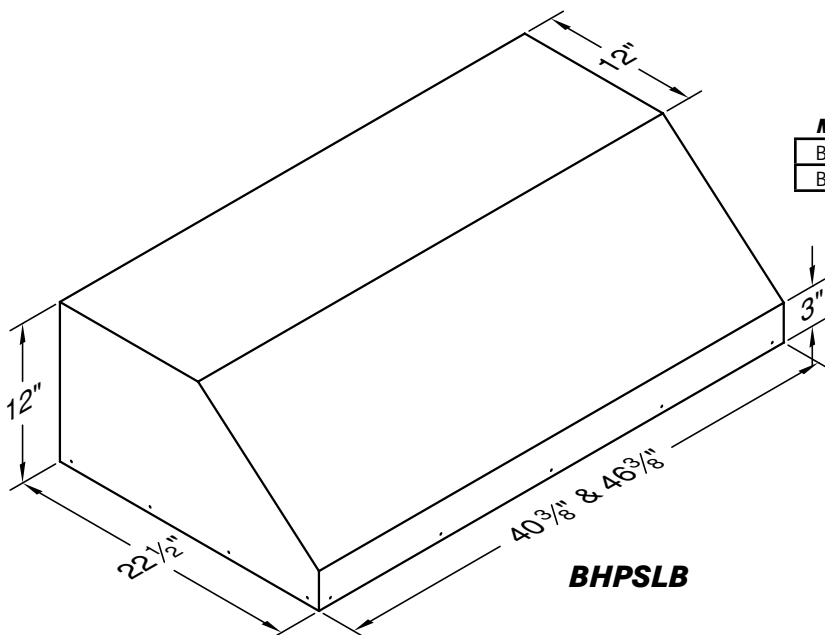
900 CFM OPTIONAL TRANSITION TO 10" ROUND: VP562
1200 CFM OPTIONAL TRANSITION TO 12" ROUND: VP563



BHSLD					
Model No.	CFM	Width	Painted	Stainless	# Lts
BH128SLD	300	28 3/8"	899	1,189	2
BH134SLD		34 3/8"	899	1,189	2
BH140SLD		40 3/8"	1,012	1,300	2
BH228SLD	600	28 3/8"	1,279	1,605	2
BH234SLD		34 3/8"	1,279	1,605	2
BH240SLD		40 3/8"	1,392	1,716	2
BH246SLD	900	46 3/8"	1,485	1,852	3
BH346SLD		46 3/8"	1,943	2,351	3



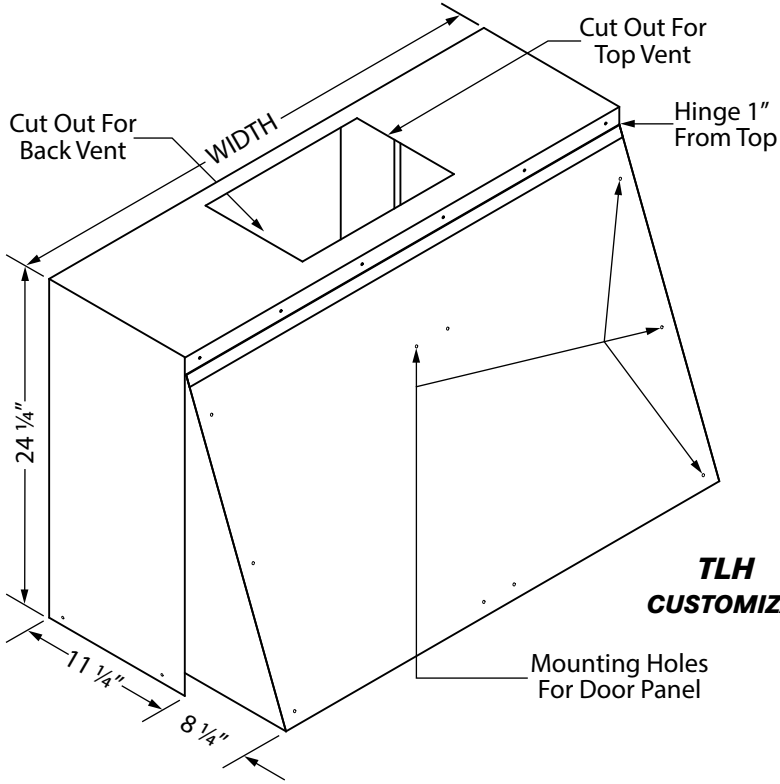
BHPSLD					
Model No.	CFM	Width	Painted	Stainless	# Lts
BH128PSLD	300	28 3/8"	899	1,189	2
BH134PSLD		34 3/8"	899	1,189	2
BH140PSLD		40 3/8"	1,012	1,300	2
BH146PSLD		46 3/8"	1,284	1,758	2
BH152PSLD	600	52 3/8"	1,608	2,213	2
BH228PSLD		28 3/8"	1,316	1,622	2
BH234PSLD		34 3/8"	1,316	1,622	2
BH240PSLD		40 3/8"	1,420	1,738	2
BH246PSLD		46 3/8"	1,570	1,889	3
BH252PSLD		52 3/8"	1,842	2,346	3
BH346PSLD	900	46 3/8"	1,974	2,388	3
BH352PSLD		52 3/8"	2,247	2,846	3
BH358PSLD	1200	58 3/8"	2,642	3,334	4
BH452PSLD		52 3/8"	2,627	3,262	3
BH458PSLD		58 3/8"	3,022	3,751	4
BH464PSLD		64 3/8"	3,190	3,973	4



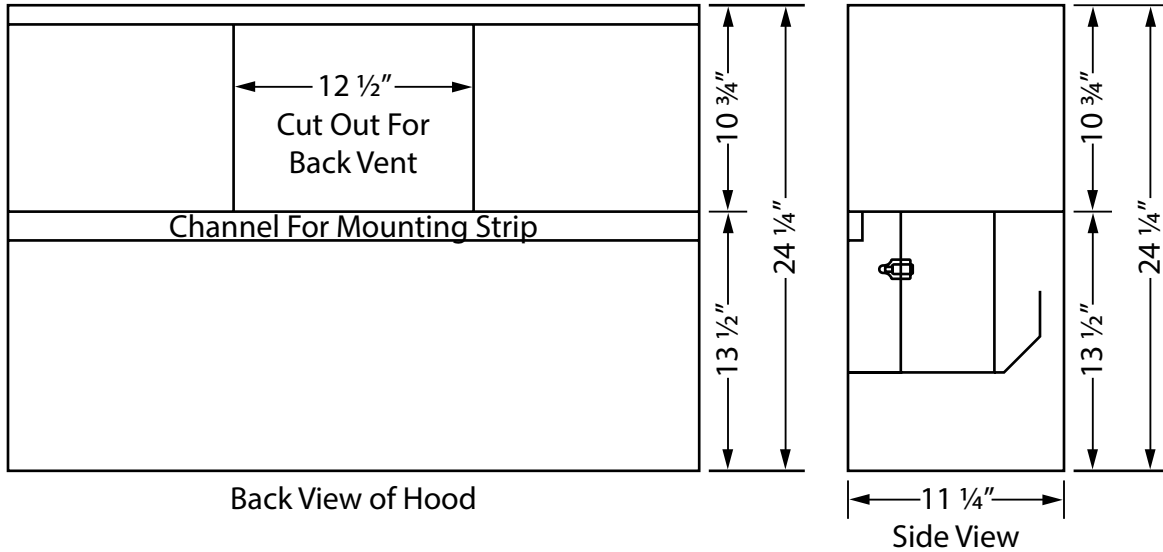
BHPSLB					
Model No.	CFM	Width	Painted	Stainless	# Lts
BH340PSLB	900	40 3/8"	1,970	2,383	3
BH446PSLB	1200	46 3/8"	2,423	2,920	3

WALL MOUNT LINER INSERTS

REC. MOUNTING HEIGHT FROM COOKING SURFACE: 23 3/4"



TLH					
Model No.	CFM	Width	Painted	Stainless	# Lts
TLH-130	300	30"	1,745	2,363	2
TLH-136		36"	1,785	2,389	2
TLH-142		42"	1,924	2,541	3
TLH-148		48"	2,001	2,634	3
TLH-236	600	36"	2,166	2,806	2
TLH-242		42"	2,304	2,958	3
TLH-242		42"	2,304	2,958	3
TLH-248		48"	2,382	3,051	3



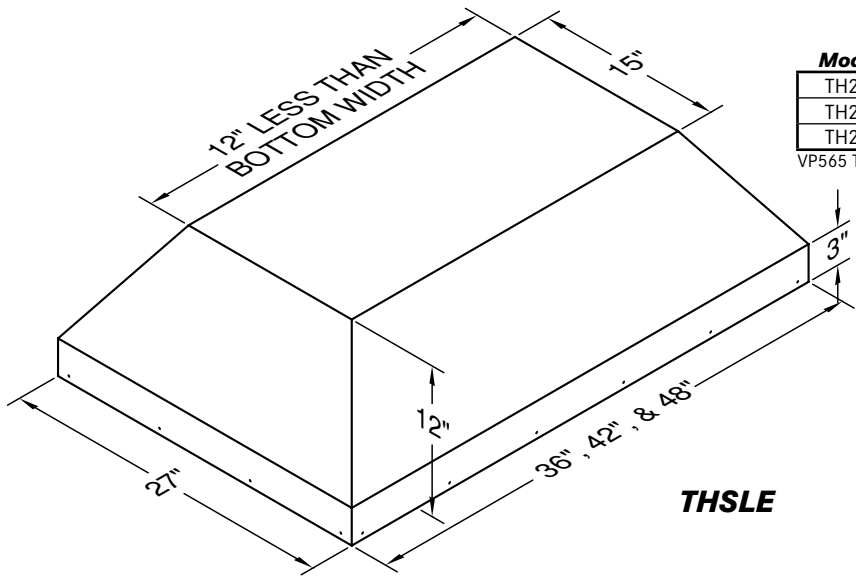
TLH WALL MOUNT HOOD VARIATIONS

SPECIAL WIDTH (LESS THAN 48")		CUSTOM TILT OUT	
ADD	237	HEIGHT (36" MAX), WIDTH, DEPTH OR COMBO VARIATION	
HINGE AT TOP		ADD	484
ADD	237	CUSTOM COLOR (SEE CUSTOM COLOR CHART)	
		ADD	714

ISLAND LINER INSERTS

REC. MOUNTING HEIGHT FROM
COOKING SURFACE: 30"

550 CFM MODELS: VP565 TRANSITION INCLUDED
1100 CFM MODELS: VP564 TRANSITION INCLUDED

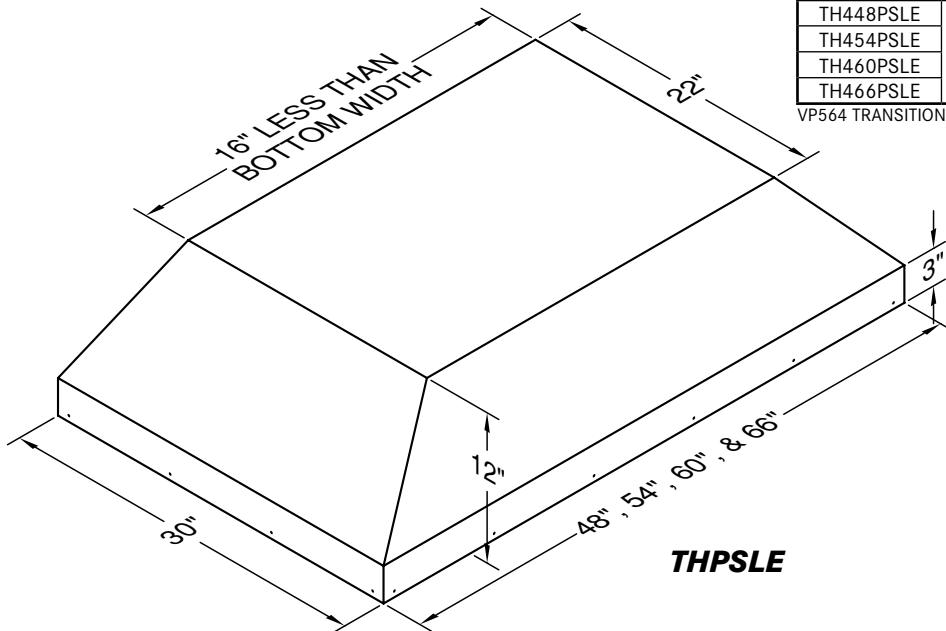


THSLE

THSLE

Model No.	CFM	Width	Painted	Stainless	# Lts
TH236SLE	550	36"	2,248	2,801	4
TH242SLE		42"	2,299	2,881	4
TH248SLE		48"	2,349	2,933	4

VP565 TRANSITION TO 8" ROUND INCLUDED.



THPSLE

THPSLE

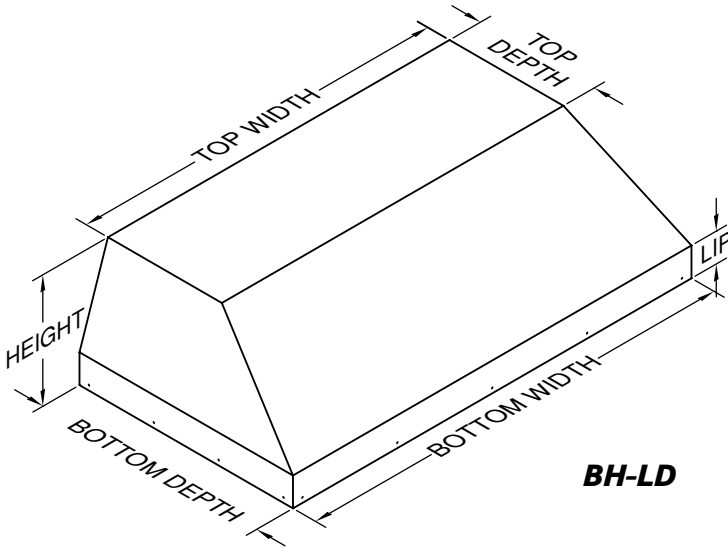
Model No.	CFM	Width	Painted	Stainless	# Lts
TH448PSLE	1100	48"	3,712	5,059	4
TH454PSLE		54"	3,862	5,249	4
TH460PSLE		60"	3,947	5,430	4
TH466PSLE		66"	4,007	5,539	4

VP564 TRANSITION TO 12" ROUND INCLUDED.

CUSTOM WALL MOUNT LINER INSERTS

REC. MOUNTING HEIGHT FROM
COOKING SURFACE: VARIES BY SIZE

900 CFM OPTIONAL TRANSITION TO 10" ROUND: VP562
1200 CFM OPTIONAL TRANSITION TO 12" ROUND: VP563



BH-LD

MINIMUM TOP WIDTH FOR 300 SERIES IS 40-3/8".
MINIMUM TOP WIDTH FOR 400 SERIES IS 46-3/8"

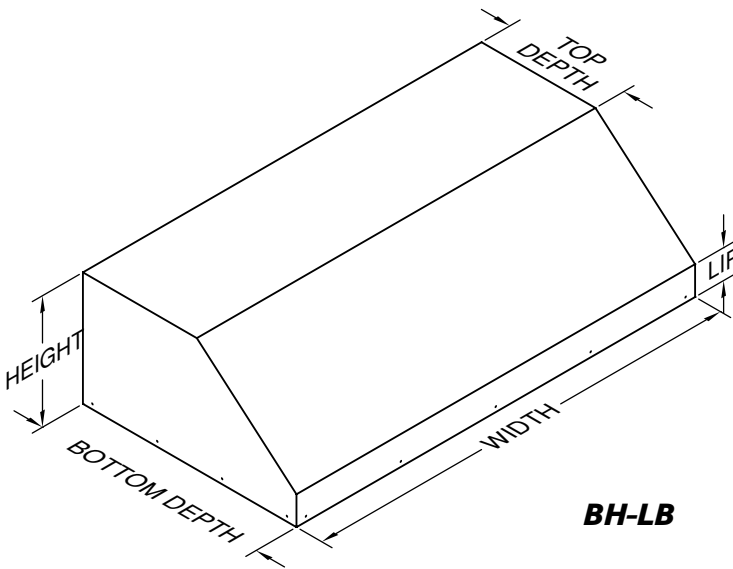
BH-LD

Model No.	CFM	Width	Painted	Stainless	# Lts
BH100LD-A	300	24"-36"	1,701	2,224	2
BH200LD-A	600	24"-36"	2,120	2,670	2
BH200LD-B		36"-48"	2,355	2,918	*
BH200LD-C		48"-54"	2,669	3,389	*
BH300LD-D	900	42"-54"	3,193	4,017	*
BH400LD-E	1200	48"-66"	3,899	4,855	*

2 LIGHTS FOR HOODS 24"<42", 3 LIGHTS FOR HOODS 42"<54", 4 LIGHTS FOR HOODS 54"≤66"

TRIM KIT INCLUDED
DIMENSIONS BELOW ARE AVAILABLE
AT NO ADDITIONAL COST.

BOTTOM DEPTH:	16" - 24"
HEIGHT:	12"
TOP DEPTH:	12"
LIP:	3"



BH-LB

BH-LB

Model No.	CFM	Width	Painted	Stainless	# Lts
BH100LB-A	300	24"-36"	1,308	1,831	2
BH200LB-A	600	24"-36"	1,728	2,264	2
BH200LB-B		36"-48"	1,963	2,526	*
BH200LB-C		48"-54"	2,276	2,983	*
BH300LB-D	900	42"-54"	2,801	3,611	*
BH400LB-E	1200	48"-66"	3,506	4,463	*

2 LIGHTS FOR HOODS 24"<42", 3 LIGHTS FOR HOODS 42"<54", 4 LIGHTS FOR HOODS 54"≤66"

TRIM KIT INCLUDED
DIMENSIONS BELOW ARE AVAILABLE
AT NO ADDITIONAL COST.

BOTTOM DEPTH:	16" - 24"
HEIGHT:	12"
TOP DEPTH:	12"
LIP:	3"

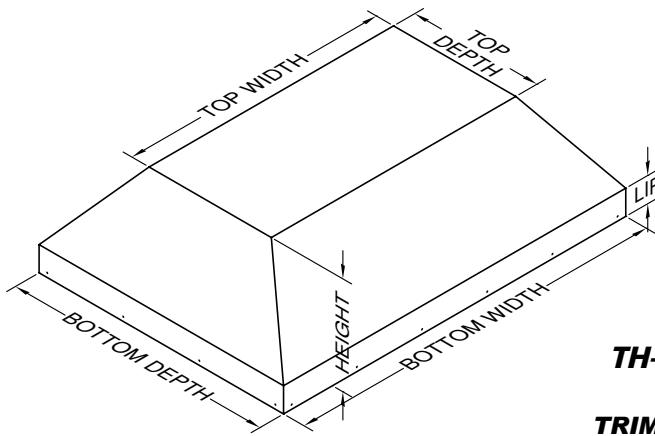
CUSTOM WALL MOUNT LINER INSERT VARIATIONS

WIDTHS OVER 66"			LIP (OTHER THAN 3" STANDARD)	
FOR EACH 6" INCREMENT PLUS	PAINTED 184	STAINLESS 263	ADD	405
SPECIAL TOP DEPTH (12" MINIMUM)			ADD	405
SPECIAL HEIGHT (OTHER THAN 12" STANDARD)			ADDITIONAL BLOWERS & LIGHTS	
9" MINIMUM, 18" MAXIMUM			SEE PAGE 46 FOR BLOWER OPTIONS	
ADD			REMOTE BLOWER OPTIONS	
DEPTH OVER 24"			SEE PAGES 46-47 FOR REMOTE BLOWER OPTIONS	
WIDTH X EXTRA DEPTH X PLUS	PAINTED 1.17	STAINLESS 1.72	CUSTOM COLOR (SEE CUSTOM COLOR CHART)	
			ADD	714
			405	
			WARMING LAMPS AND SHELVES	
			SEE PAGES 49 FOR WARMING LAMP AND SHELF OPTIONS	

CUSTOM ISLAND LINER INSERTS

REC. MOUNTING HEIGHT FROM COOKING SURFACE: VARIES BY SIZE

VP565 TRANSITION INCLUDED WITH EACH DUAL BLOWER
VP564 TRANSITION INCLUDED WITH EACH CLUSTER BLOWER



TH-LE

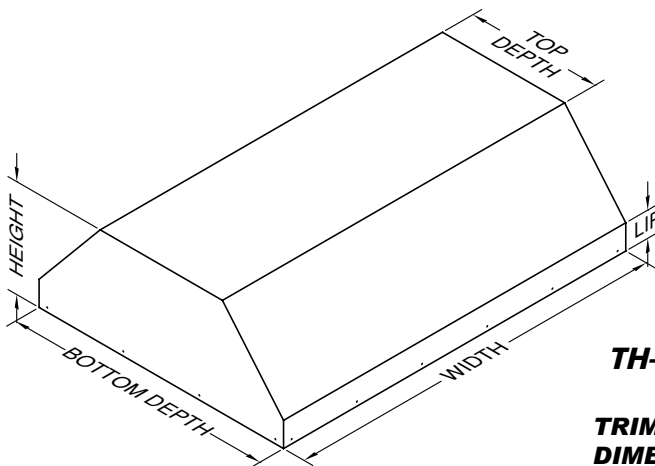
TRIM KIT INCLUDED
DIMENSIONS BELOW ARE AVAILABLE AT NO ADDITIONAL COST.

BOTTOM DEPTH:	27"
HEIGHT:	12"
TOP WIDTH:	12" LESS THAN BOTTOM WIDTH

TH-LE

MODEL NO.	CFM •	Width	Painted	Stainless	# Lts
TH200LE-A	550	24"-36"	3,011	3,848	4
TH200LE-B		36"-48"	3,195	4,083	4
TH200LE-C		48"-54"	3,442	4,410	4
TH2+200LE-E	1100	48"-66"	4,954	6,307	*

EACH DUAL BLOWER REQUIRES 24" MINIMUM TOP WIDTH.
• VP565 TRANSITION TO 8" ROUND INCLUDED WITH EACH DUAL BLOWER.
4 LIGHTS FOR HOODS 48"<60", 8 LIGHTS FOR HOODS 60"≤66"
A CLUSTER BLOWER (1100 CFM) IS AVAILABLE ON MODELS WITH A MINIMUM TOP SIZE OF 24" WIDE X 24" DEEP. CONTACT THE FACTORY FOR ADDITIONAL DETAILS.



TH-LC

TRIM KIT INCLUDED
DIMENSIONS BELOW ARE AVAILABLE AT NO ADDITIONAL COST.

BOTTOM DEPTH:	27"
HEIGHT:	12"
TOP DEPTH:	12" LESS THAN BOTTOM DEPTH

TH-LC

MODEL NO.	CFM •	Width	Painted	Stainless	# Lts
TH200LC-A	550	24"-36"	3,011	3,848	4
TH200LC-B		36"-48"	3,195	4,083	4
TH200LC-C		48"-54"	3,442	4,410	4
TH2+200LC-E	1100	48"-66"	4,954	6,307	*

EACH DUAL BLOWER REQUIRES 24" MINIMUM TOP WIDTH.
• VP565 TRANSITION TO 8" ROUND INCLUDED WITH EACH DUAL BLOWER.
4 LIGHTS FOR HOODS 48"<60", 8 LIGHTS FOR HOODS 60"≤66"
A CLUSTER BLOWER (1100 CFM) IS AVAILABLE ON MODELS WITH A MINIMUM TOP SIZE OF 24" WIDE X 24" DEEP. CONTACT THE FACTORY FOR ADDITIONAL DETAILS.

CUSTOM ISLAND LINER INSERT VARIATIONS

WIDTHS OVER 66"		SPECIAL HEIGHT (OTHER THAN 12" STANDARD)	
FOR EACH 6" INCREMENT PLUS	PAINTED 209 STAINLESS 275	9" MINIMUM, 18" MAXIMUM ADD	405
DEPTH OVER 27"	237	SPECIAL TOP WIDTH OR DEPTH	
		ADD	405
WIDTH X EXTRA DEPTH X PLUS	PAINTED 1.30 STAINLESS 2.12	REMOTE BLOWER OPTIONS	
LIP (OTHER THAN 3" STANDARD)	405	SEE PAGES 46-47 FOR REMOTE BLOWER OPTIONS	
	ADD 405	CUSTOM COLOR (SEE CUSTOM COLOR CHART)	
		ADD	714

BLOWER OPTIONS

You may need to add a blower to hoods to increase CFM, depending on the cooking equipment being used. To add a blower to a hood, you need to have enough top space inside of the hood to do so. A Single Blower requires 16" of space, a Dual Blower requires 24" of space, an Island Dual Blower requires 12" D x 23 1/2" W, and an Island Cluster Blower requires 24" D x 24" W.

ADDING BLOWERS								
Model	Volts	Amps	Hz	RPM	*CFM	**Equiv CFM	Painted	Stainless Steel
Single Blower	120	1.5	60	1550	300	450	404	500
Dual Blower	120	2.9	60	1550	600	900	785	916
Island Dual Blower	120	2.9	60	1550	550	900	809	1,035
Island Cluster Blower	120	5.8	60	1550	1100	1800	1,618	2,070
RM1000	120	3.2	60	1100	945	N/A	1,488	
RM1500	120	5.0	60	1130	1500	N/A		

SensaSource® - Our patented speed control system that allows the blower to be turned to half speed for light cooking but automatically returns to high speed when heat rise is detected. This feature is standard on all Magic Lung® and K Series models with halogen lighting.

SensaSource®	105 ea.
Convert two-speed blower to auto-on SensaSource® control (one for each single or dual blower)	

* CFM rating is based on 0.0" static pressure (resistance in the ducting turns, roof caps, etc.) CFM rating will change as static pressure is increased. Static pressure increases due to ducting and length of duct run.

There are certain customers who will want a remote blower range hood despite the benefits of the Magic Lung blower system. The following steps will help you when pricing remote blower hoods.

1. Specify how many and which filters you will be using. B20 SS filters are for wall mount or under cabinet installations and T20 SS filters are for island installations. We recommend one B20 SS or T20 SS for each 22" of hood top width.
2. Specify the size and number of remote blowers you will need. The RM1000 is equivalent to a B200 or T200 blower. The RM1500 is 50% larger.
3. For each remote blower, you will need to add an accessory kit. The accessory kit includes a variable speed blower controller, LED lights, back draft dampers, and a 10" duct collar.

DEDUCTING BLOWERS FOR REMOTE BLOWER MODELS

BLOWER PRICING BELOW IS FOR USE IN CALCULATING DEDUCTIONS FOR REMOTE BLOWERS ONLY.		
MODEL	PAINTED	STAINLESS
B100 (SINGLE BLOWER)	404	500
B200 (DUAL BLOWER)	785	916
T200 (ISLAND DUAL BLOWER)	809	916
T400 (ISLAND CLUSTER BLOWER)	1,618	2,070
SPECIAL COLLAR	237	

REMOTE BLOWERS

HOOD SELECTION/PRICING WITH REMOTE BLOWERS

1. CHOOSE THE BASE MODEL HOOD THAT IS TO BE EQUIPPED WITH A REMOTE BLOWER.
2. DEDUCT THE PRICE OF THE INTERNAL BLOWER(S) FROM THE HOOD (SEE PREVIOUS PAGE).
3. ADD THE APPROPRIATE ACCESSORY KIT (SEE RIGHT).
4. ADD THE APPROPRIATE FILTERS (SEE BELOW).
5. ADD THE APPROPRIATE REMOTE BLOWER UNIT(S) (SEE BELOW).

LIGHT KITS

INCLUDES LED LIGHTS, TWO-STAGE LIGHT SWITCH, SOLID STATE MOTOR CONTROL SWITCH (VARIABLE SPEED) AND 10" DAMPER ASSEMBLY INSTALLED IN HOOD.

ACC.KIT-W-H2 (2 LED LIGHTS/WALL MT)	511
ACC.KIT-W-H3 (3 LED LIGHTS/WALL MT)	648
ACC.KIT-W-H4 (4 LED LIGHTS/WALL MT)	785
ACC.KIT-I-H4 (4 LED LIGHTS/ISLAND)	1,065
ACC.KIT-I-H8 (8 LED LIGHTS/ISLAND)	1,600

ACCESSORY KIT PARTS

SOLID STATE (VARIABLE SPEED) MOTOR

CONTROL WALL SWITCH (P1500W) 89

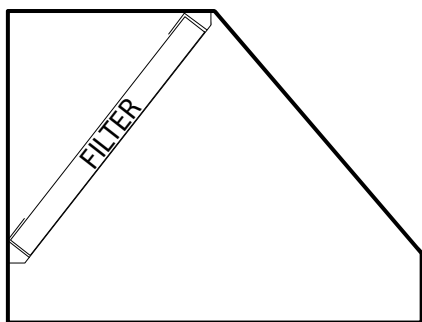
ACCESSORY KIT PARTS

WHEN ORDERED WITH HOOD

TO ADD MOTOR CONTROL WALL SWITCH ASSEMBLY

ADD (P1500R) 22

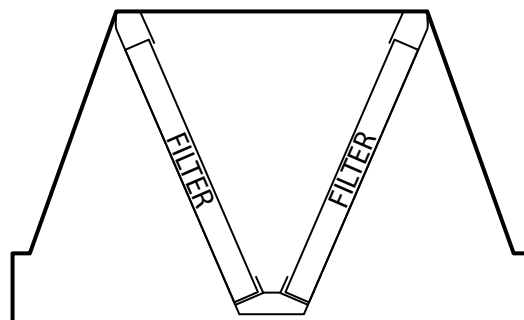
WALL MOUNT BAFFLE FILTER



WALL MOUNT SIDE VIEW

B20 SS (PER FILTER) 393
(SPECIFY ONE B20 SS FOR EACH 22" OF HOOD TOP WIDTH)

ISLAND BAFFLE FILTER

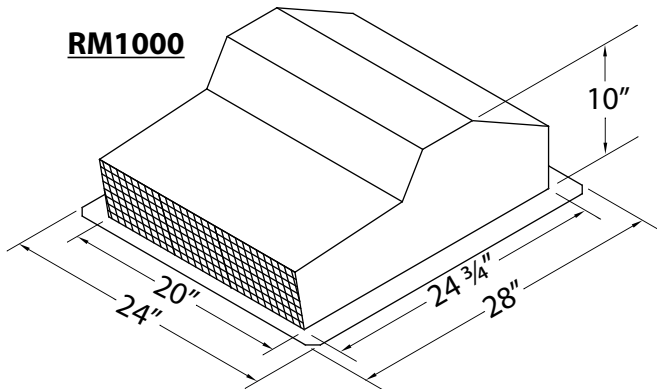


ISLAND SIDE VIEW

T20 SS (PER PAIR OF FILTERS) 785
(SPECIFY ONE PAIR OF T20 SS FOR EACH 22" OF HOOD TOP WIDTH)

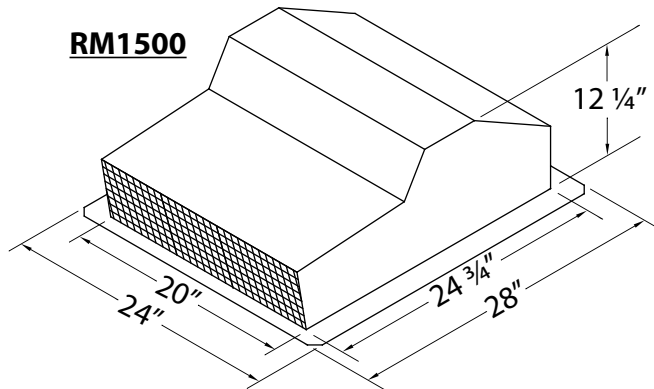
REMOTE BLOWERS

RM1000



RM1000 REMOTE BLOWER 1,184

RM1500

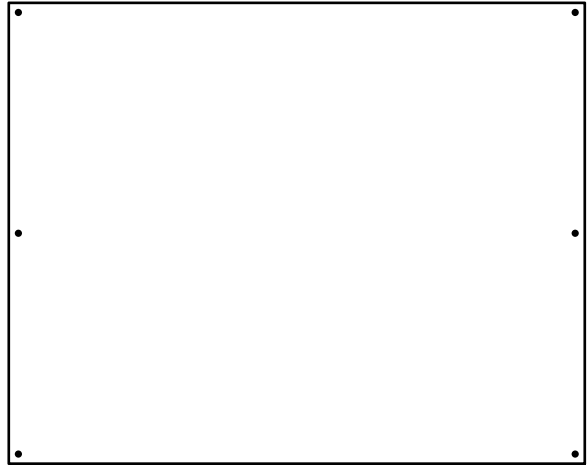


RM1500 REMOTE BLOWER 1,488

BACKSPLASH PANELS

STANDARD SPLASH PANELS

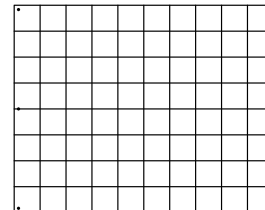
Panel Size	Painted	Stainless	Overlay
30" W x 24" T	60	99	236
36" W x 24" T	72	118	282
42" W x 24" T	85	138	327
48" W x 24" T	91	158	379
30" W x 30" T	72	125	295
36" W x 30" T	85	151	354
42" W x 30" T	105	170	413
48" W x 30" T	118	196	471
SPECIAL SIZES (SPECIFY IF HEMS/HOLES REQUIRED)			
PER SQ INCH	0.13	0.21	0.30



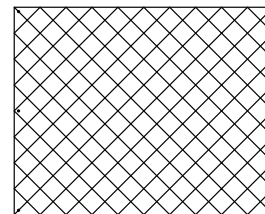
HEMS AND HOLES ARE INCLUDED ON STANDARD SIZES, PRICE AS A CUSTOM PANEL IF HEMS AND/OR HOLES ARE NOT REQUIRED.

OVERLAY & PATTERNED SPLASH PANELS

Panel Size	Painted	Stainless	Overlay
30" W x 24" T Pat.	165	204	341
36" W x 24" T Pat.	177	223	387
42" W x 24" T Pat.	190	243	432
48" W x 24" T Pat.	196	263	484
30" W x 30" T Pat.	177	230	400
36" W x 30" T Pat.	190	256	459
42" W x 30" T Pat.	210	275	518
48" W x 30" T Pat.	223	301	576
SPECIAL SIZES (SPECIFY IF HEMS/HOLES REQUIRED)			
PER SQ INCH	0.13	0.21	0.30
PLUS		105	



CHECKERBOARD



DIAMOND

HEMS AND HOLES ARE INCLUDED ON STANDARD SIZES, PRICE AS A CUSTOM PANEL IF HEMS AND/OR HOLES ARE NOT REQUIRED.

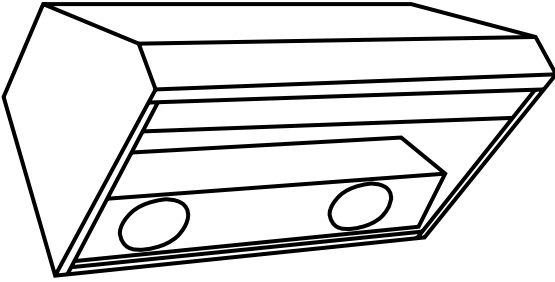
OTHER SPLASH PANEL OPTIONS

Ordering Notes and Options:

PAINTED SPLASH PANELS MUST HAVE AT LEAST ONE HOLE IN THEM TO ALLOW FOR PAINTING.	
FOR CUT-OUTS OR SPECIAL BREAKS, ADD	27
CRATING CHARGE FOR PANELS TOO LARGE TO PACKAGE WITH HOOD, ADD	46
MINIMUM CHARGE ON SMALL PANELS	27

WARMING LAMPS & SHELVES

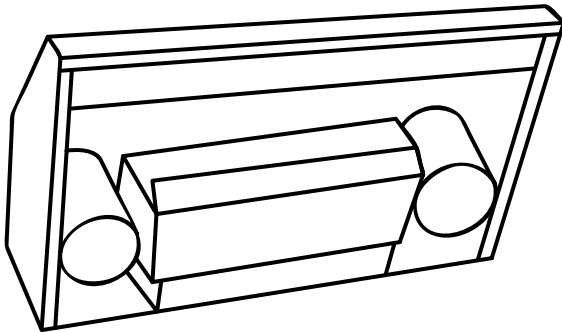
WARMING BAR



FOR USE IN HOODS 18" OR TALLER.
NOT AVAILABLE ON HOODS WITH DECKS BELOW 18".
BULBS NOT INCLUDED.

Model No.		Price
WBAR	INCLUDES 2 LIGHTS	405
	FOR ADDITIONAL LIGHTS, ADD	405
	PLUS, PER LIGHT	243

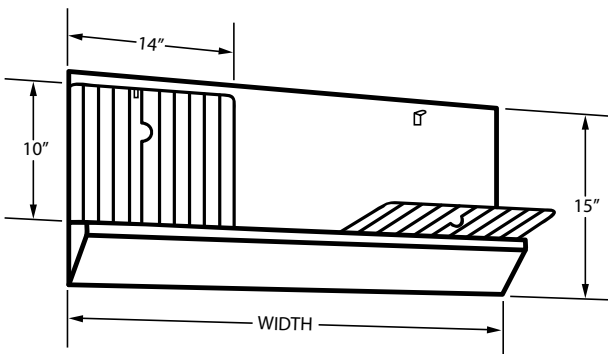
WARMING LAMP HOUSING



FOR USE IN HOODS UNDER 18" TALL.
8" TOP DIMENSION REQUIRED PER FIXTURE.
BULBS NOT INCLUDED.

Model No.	Price Per Light
WL-1	243

WARMING SHELF



TWO FOLD DOWN SHELVES ON A BACKSLASH.
MOUNTED ON A 3 1/2" DEEP LEDGE.
EACH SHELF IS 10" DEEP x 14" WIDE.
STAINLESS BACKSLASH IS 15" TALL.

Model No.	Width	Price
WS030	30"	484
WS036	36"	530
WS042	42"	569
WS048	48"	623
WS054	54"	662
WS060	60"	707
WS066	66"	747
WS072	72"	798

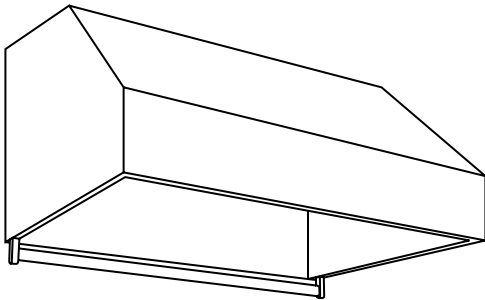
Model No.	Description	Price
P1415	Additional Shelf	243

WS0 With Non-Standard Width	Price
USE NEXT LARGEST SIZE ON PRICE LIST PLUS	243

ACCESSORY RAIL

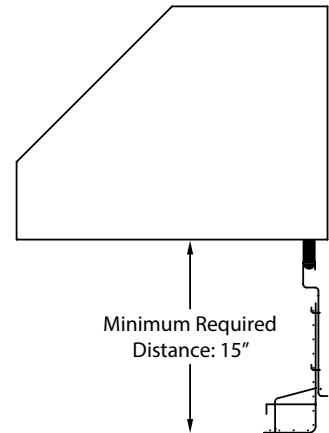
MODEL WR0

WR0 kit installed on hood includes mounting hardware, accessory rail, two hanger brackets, and two warming shelves with spice racks.



Model No.	Width	Price
WR030	30"	470
WR036	36"	476
WR042	42"	476
WR048	48"	494
WR054	54"	494
WR060	60"	494
WR066	66"	578
WR072	72"	595
UP TO 120"		595

SPECIAL WIDTH: USE NEXT LARGEST SIZE.



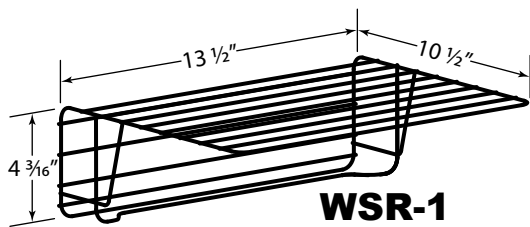
MODEL WR0L

For use with liner inserts. Specify exact width between cabinets. Use next largest size price for WR0 listed to the right. Kit includes mounting end caps, accessory rail, two hanger brackets, and two warming shelves with spice racks.

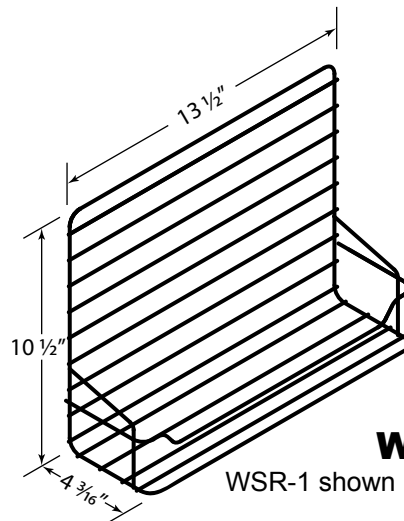
Hood must be at least 30" wide to allow sufficient space for two hanging brackets.

The minimum for hoods with the SL lip is 32" due to the decorative features of the SL lip.

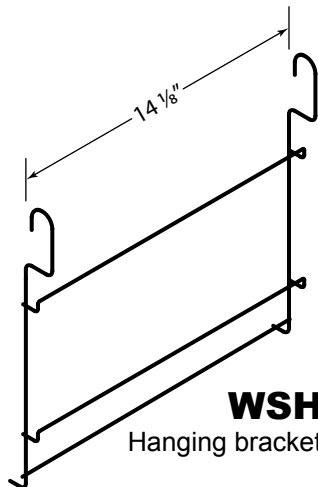
ADDITIONAL SHELVES/SPICE RACKS



WSR-1
WSR-1 shown in warming shelf position.



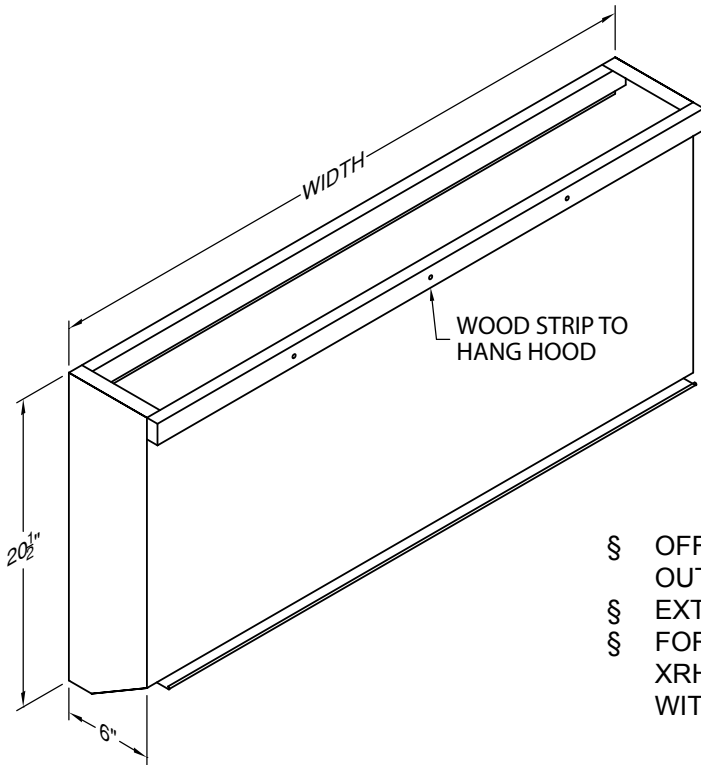
WSR-1
WSR-1 shown in spice rack position.



WSH-1
Hanging bracket for WSR-1.

Model No.	Description	Price
WSR-1	Warming Shelf/Rack	107
WSH-1	Hanging Bracket	60
WR0-EC	End Cap (2 Req.)	27

BBQ EXTENSION



Model No.	Width	Painted	Stainless
BBE30	30"	445	623
BBE36	36"	465	727
BBE42	42"	478	798
BBE48	48"	498	851
BBE54	54"	518	916
BBE60	60"	538	977

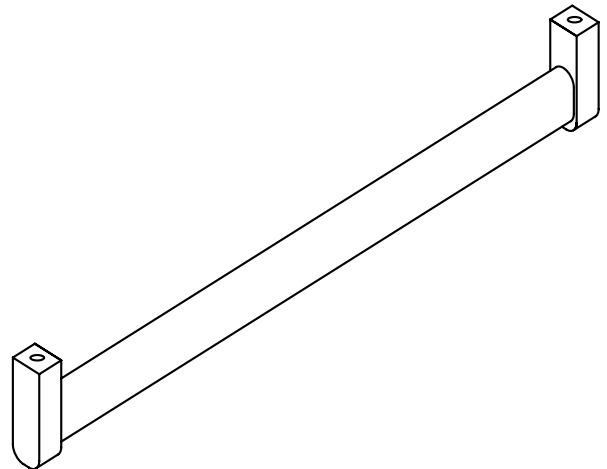
PRODUCT FEATURES

- § OFFERS MAXIMUM CANOPY EXPOSURE OVER OUTDOOR GRILL APPLICATIONS
- § EXTENDS PROJECTION TO 30" OR 33" DEEP
- § FOR USE WITH PRH18, PRXH18, NPH18, NPXH18, XRH18, OR XRXH18 MODELS WHEN NOT EQUIPPED WITH A WARMING BAR.

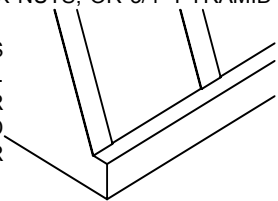
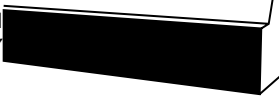
WR ACCESSORY RAIL

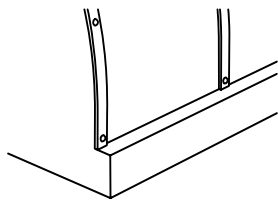
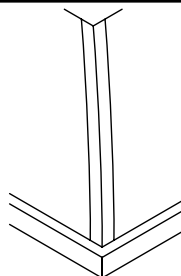
FOR USE WITH BBQ EXTENSION KIT.
AVAILABLE IN SS FINISH ONLY.

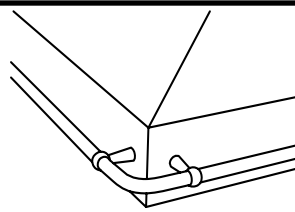
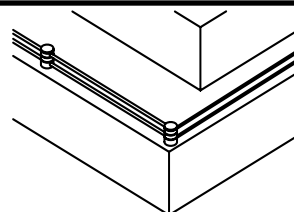
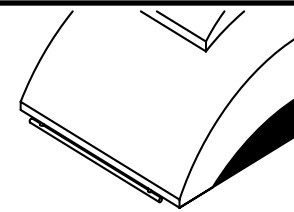
Model No.	Price
WR-30	125
WR-36	138
WR-42	138
WR-48	145
WR-54	145
WR-60	145



BANDS, FINISHES, & POT RAILS


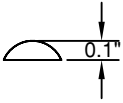
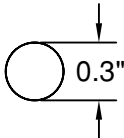

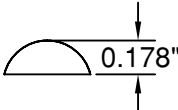
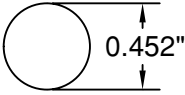

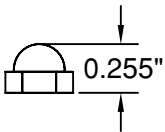
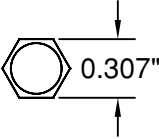
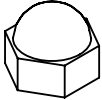
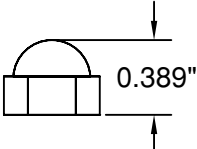
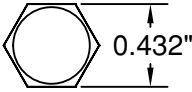
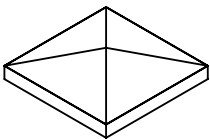
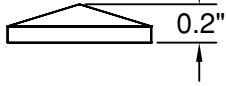
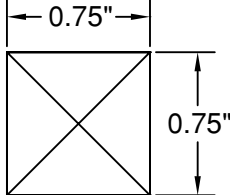
VERTICAL BANDS	LIP TREATMENT (L/T)
<p style="text-align: right;">18 GAUGE*</p> <p>1/2" WIDE: EACH BAND (UP TO 30") 180</p> <p>1" WIDE: EACH BAND (UP TO 30") 180</p> <p>2" WIDE: EACH BAND (UP TO 30") 180</p> <p>TALLER THAN 30", PER INCH PER BAND, ADD 5.95</p> <p>* 18 GAUGE VERTICAL BANDS ARE ATTACHED WITH LAMINATE. 18 GAUGE VERTICAL BANDS CAN BE ATTACHED WITH 1/4" RIVETS, 1/2" RIVETS, 3/8" HEX NUTS, 1/2" HEX NUTS, OR 3/4" PYRAMID CLAVOS BY REQUEST.</p> <p>HAMMERED COPPER MATERIAL IS THINNER THAN 18 GAUGE MATERIAL. ATTACHMENTS ARE REQUIRED FOR HAMMERED COPPER BANDS AND FOR BANDS ON HAMMERED COPPER HOODS.</p> 	<p>18 GAUGE, PER INCH, ADD 5.95*</p> <p>1/8" THICK x 1" TALL SOLID BRASS, SOLID COPPER, OR BRUSHED SS PER INCH, ADD 6.55**</p> <p>1/4" THICK x 1" TALL SOLID BRASS, SOLID COPPER, OR BRUSHED SS PER INCH, ADD 7.14**</p> <p>* 18 GAUGE L/T IS ATTACHED WITH LAMINATE. 18 GAUGE L/T CAN BE ATTACHED WITH 1/4" RIVETS, 1/2" RIVETS, 3/8" HEX NUTS, 1/2" HEX NUTS, OR 3/4" PYRAMID CLAVOS BY REQUEST. HAMMERED COPPER MATERIAL IS THINNER THAN 18 GAUGE MATERIAL. ATTACHMENTS ARE REQUIRED FOR LIP TREATMENT ON HAMMERED COPPER HOODS.</p> <p>** ATTACHED WITH 1/2" RIVETS. CAN BE ATTACHED WITH LAMINATE BY REQUEST.</p> 

HEAVY VERTICAL BANDS	CORNER BANDS
<p>SOLID BRASS, SOLID COPPER, OR BRUSHED SS</p> <p>1/8" THICK x 1" WIDE, EACH (UP TO 30") 196</p> <p>TALLER THAN 30" PER INCH PER BAND, ADD 6.55</p> <p>1/4" THICK x 1" WIDE, EACH (UP TO 30") 214</p> <p>TALLER THAN 30", PER INCH PER BAND, ADD 7.14</p> <p>1/8" THICK AND 1/4" THICK HEAVY VERTICAL BANDS ARE ATTACHED WITH 1/2" RIVETS. CAN BE ATTACHED WITH LAMINATE BY REQUEST.</p> 	<p><u>CORNER BANDS FOR STRAIGHT EDGES*</u></p> <p>1" x 1", EACH (UP TO 30") 357</p> <p>2" x 2", EACH (UP TO 30") 357</p> <p>TALLER THAN 30", PER INCH PER BAND, ADD 11.90</p> <p><u>CORNER BANDS FOR CONVEX/CONCAVE EDGES*</u></p> <p>1" x 1", EACH (UP TO 30") 714</p> <p>2" x 2", EACH (UP TO 30") 714</p> <p>TALLER THAN 30", PER INCH PER BAND, ADD 23.79</p> <p>* ATTACHED WITH LAMINATE. CAN BE ATTACHED WITH 1/4" RIVETS, 1/2" RIVETS, 3/8" HEX NUTS, 1/2" HEX NUTS, OR 3/4" PYRAMID CLAVOS BY REQUEST.</p> <p>+1" x 1" ATTACHED WITH 1/4" RIVETS. 2" x 2" ATTACHED WITH 1/2" RIVETS. CAN BE ATTACHED WITH 3/8" HEX NUTS, 1/2" HEX NUTS, OR 3/4" PYRAMID CLAVOS BY REQUEST.</p> <p>AVAILABLE IN PAINTED FINISHES OR STAINLESS STEEL ONLY. ALL CORNER BANDS ARE 18 GAUGE.</p> 

POT RAIL	GALLEY RAIL	FIXED RAIL								
										
TUBULAR (5/8" DIAMETER)	GALLEY RAIL	FIXED LENGTH SS RAIL (EACH)								
<p>BRASS, CHROME, OR COPPER: PER INCH* 9.51</p> <p>ADDITIONAL HOOKS AVAILABLE IN SS, COPPER, OR BRASS</p> <p>P011: EACH 9.51</p> <p>* For pot rail that is less than the overall width or depth of the hood, charge for full width or depth. Examples- A 24" deep hood with 3" of pot rail on a side is priced as 24" of pot rail. A 48" wide hood with 36" of pot rail on the front is priced as 48" of pot rail.</p>	<p>STAINLESS STEEL: PER INCH 7.14</p>	<table style="width: 100%; border-collapse: collapse;"> <tr> <td>PR21 SS (19.53")</td> <td style="text-align: right;">119</td> </tr> <tr> <td>PR24 SS (22.05")</td> <td style="text-align: right;">137</td> </tr> <tr> <td>PR27 SS (24.57")</td> <td style="text-align: right;">149</td> </tr> <tr> <td>PR30 SS (28.35")</td> <td style="text-align: right;">180</td> </tr> </table>	PR21 SS (19.53")	119	PR24 SS (22.05")	137	PR27 SS (24.57")	149	PR30 SS (28.35")	180
PR21 SS (19.53")	119									
PR24 SS (22.05")	137									
PR27 SS (24.57")	149									
PR30 SS (28.35")	180									

COLORS	STANDARD	SPECIAL	CUSTOM	ANTIQUÉ, SATIN, BRUSHED	ANTIQUÉ, BRUSHED, SATIN TRIM
	Biscuit (BT) Black Carbide (BC) Black Satin (BL) Gunsmoke (GS) White (WH)	Black River (BR) Copper Vein (CV) Oil Rubbed Bronze (ORB) Pewter (PTR) Rust (RT) Silver Vein (SV) Slate (SL)	RAL Paint Colors A custom color chart is available for custom colors.	Can be applied to: Brass/Copper Overlays ARTISAN Can be applied to: Stainless Steel Charge for <i>each</i> hood or duct cover.	Brass Bands & L/T Copper Bands & L/T ARTISAN TRIM SS Bands & L/T Charge once for all trim on a hood and duct cover assembly.
Color Charges: ADD	NO CHARGE	268	714	893	268

BAND & LIP TREATMENT ATTACHMENTS

1/4" RIVETS			
			<p>1/4" RIVETS ARE STANDARD ON 1" x 1" CONVEX/ CONCAVE CORNER BANDS.</p> <p>1/4" RIVETS ARE OPTIONAL ON 18 GA. LIP TREATMENT, 18 GA. VERTICAL BANDS, AND STRAIGHT CORNER BANDS. ADDITIONAL CHARGES MAY APPLY.</p> <p>1/4" RIVETS ARE AVAILABLE IN ALL BAND FINISHES (PAINTED TO MATCH).</p>
3D View	Side View	Top View	
1/2" RIVETS			
			<p>1/2" RIVETS ARE STANDARD ON 2" x 2" CONVEX/ CONCAVE CORNER BANDS AND ON HEAVY VERTICAL BANDS AND LIP TREATMENT.</p> <p>1/2" RIVETS ARE OPTIONAL ON 18 GA. LIP TREATMENT, 18 GA. VERTICAL BANDS, AND STRAIGHT CORNER BANDS. ADDITIONAL CHARGES MAY APPLY.</p> <p>1/2" RIVETS ARE AVAILABLE IN ALL BAND FINISHES (PAINTED TO MATCH).</p>
3D View	Side View	Top View	
3/8" HEX NUTS			
			<p>3/8" HEX NUTS ARE OPTIONAL ON 18 GA. LIP TREATMENT, 18 GA. VERTICAL BANDS, AND CORNER BANDS. ADDITIONAL CHARGES MAY APPLY.</p> <p>3/8" HEX NUTS ARE AVAILABLE IN ALL BAND FINISHES (BRASS, STAINLESS STEEL, OR PAINTED TO MATCH).</p>
3D View	Side View	Top View	
1/2" HEX NUTS			
			<p>1/2" HEX NUTS ARE OPTIONAL ON 18 GA. LIP TREATMENT, 18 GA. VERTICAL BANDS, AND CORNER BANDS. ADDITIONAL CHARGES MAY APPLY.</p> <p>1/2" HEX NUTS ARE AVAILABLE IN ALL BAND FINISHES (BRASS, STAINLESS STEEL, OR PAINTED TO MATCH).</p>
3D View	Side View	Top View	
3/4" PYRAMID CLAVOS			
			<p>3/4" PYRAMID CLAVOS ARE OPTIONAL ON 18 GA. LIP TREATMENT, 18 GA. VERTICAL BANDS, AND CORNER BANDS. ADDITIONAL CHARGES MAY APPLY.</p> <p>3/4" PYRAMID CLAVOS ARE AVAILABLE IN COPPER AND STAINLESS STEEL FINISHES.</p> <p>3/4" PYRAMID CLAVOS CAN BE ROTATED 45 DEGREES FOR A MORE DECORATIVE APPEARANCE. NOTE: 3/4" PYRAMID CLAVOS ARE OVER 1" WIDE WHEN TURNED TO A 45 DEGREE "DIAMOND" ANGLE.</p>
3D View	Side View	Top View	

NOTE: SECTION TITLES ARE ROUNDED FOR CONVENIENCE PURPOSES AND DO NOT REPRESENT EXACT SIZES.

STANDARD BAND & LIP TREATMENT ATTACHMENT METHODS		
BAND/LIP TREATMENT	STANDARD ATTACHMENT	ADDITIONAL ATTACHMENT OPTIONS
18 Ga. Vertical Band/Lip Treatment	Laminate	1/4" Rivets, 1/2 Rivets, 3/8" Hex Nuts, 1/2" Hex Nuts, and 3/4" Pyramid Clavos
1/8" x 1" Vertical Band/Lip Treatment	1/2" Rivets	Laminate
1/4" x 1" Vertical Band/Lip Treatment	1/2" Rivets	Laminate
Straight Corner Band	Laminate	1/4" Rivets, 1/2" Rivets, 3/8" Hex Nuts, 1/2" Hex Nuts, and 3/4" Pyramid Clavos

Decorative attachments will be placed by the factory for best appearance. To specify locations, add per inch 5.95

DESIGNER SERIES HOOD TRIMS



DECORATIVE LIP TRIM (18 GAUGE)

Hood Width	Wall Mount (Front Only)	Wall Mount (Front & Sides)	Island (All Sides)
36"	L/T-FO-36: \$215	L/T-FS-36: \$500	L/T-IA-36: \$786
42"	L/T-FO-42: \$250	L/T-FS-42: \$536	L/T-IA-42: \$857
48"	L/T-FO-48: \$286	L/T-FS-48: \$572	L/T-IA-48: \$929
54"	L/T-FO-54: \$322	L/T-FS-54: \$607	L/T-IA-54: \$1000
60"	L/T-FO-60: \$357	L/T-FS-60: \$643	L/T-IA-60: \$1071
66"	L/T-FO-66: \$393	L/T-FS-66: \$679	L/T-IA-66: \$1143

SPECIFY ATTACHMENT METHOD AND FINISH.

PRICING FOR TRIMS LISTED ABOVE APPLY TO THE BOTTOM LIP ONLY.

SEE PAGE 52 FOR ALL AVAILABLE FINISH AND ATTACHMENT OPTIONS.

DECORATIVE LIP TRIM (18 GAUGE)

1" TALL, TOP & BOTTOM OF LIP

Hood Width	Wall Mount (Front Only)	Wall Mount (Front & Sides)	Island (All Sides)
36"	L/T-TB-FO-36: \$429	L/T-TB-FS-36: \$1000	L/T-TB-IA-36: \$1571
42"	L/T-TB-FO-42: \$500	L/T-TB-FS-42: \$1071	L/T-TB-IA-42: \$1714
48"	L/T-TB-FO-48: \$572	L/T-TB-FS-48: \$1143	L/T-TB-IA-48: \$1857
54"	L/T-TB-FO-54: \$643	L/T-TB-FS-54: \$1214	L/T-TB-IA-54: \$2000
60"	L/T-TB-FO-60: \$714	L/T-TB-FS-60: \$1286	L/T-TB-IA-60: \$2142
66"	L/T-TB-FO-66: \$786	L/T-TB-FS-66: \$1357	L/T-TB-IA-66: \$2285

SPECIFY ATTACHMENT METHOD AND FINISH.

PRICING FOR TRIMS LISTED ABOVE APPLY TO THE BOTTOM LIP ONLY.

SEE PAGE 52 FOR ALL AVAILABLE FINISH AND ATTACHMENT OPTIONS.



HEAVY LIP TRIM (1/4") - 1" TALL, TOP & BOTTOM OF LIP

Hood Width	Wall Mount (Front Only)	Wall Mount (Front & Sides)	Island (All Sides)
36"	H L/T-TB-FO-36: \$515	H L/T-TB-FS-36: \$1200	H L/T-TB-IA-36: \$1885
42"	H L/T-TB-FO-42: \$600	H L/T-TB-FS-42: \$1286	H L/T-TB-IA-42: \$2057
48"	H L/T-TB-FO-48: \$686	H L/T-TB-FS-48: \$1371	H L/T-TB-IA-48: \$2228
54"	H L/T-TB-FO-54: \$772	H L/T-TB-FS-54: \$1457	H L/T-TB-IA-54: \$2400
60"	H L/T-TB-FO-60: \$857	H L/T-TB-FS-60: \$1543	H L/T-TB-IA-60: \$2571
66"	H L/T-TB-FO-66: \$943	H L/T-TB-FS-66: \$1628	H L/T-TB-IA-66: \$2742

SPECIFY ATTACHMENT METHOD, PLACEMENT, AND FINISH.

SEE PAGE 52 FOR ALL AVAILABLE FINISH AND ATTACHMENT OPTIONS.



DESIGNER SERIES HOOD TRIMS



DECORATIVE BANDS (18 GAUGE) - 1" OR 2" WIDE

Quantity	Price
2 Bands	2-VBAND: \$360
3 Bands	3-VBAND: \$540
4 Bands	4-VBAND: \$720
Additional Bands (ea.)	1-VBAND: \$180

SPECIFY WIDTH, PLACEMENT, FINISH, ATTACHMENT METHOD, AND ATTACHMENT FINISH.
 QUANTITIES ABOVE ARE PER HOOD OR DUCT COVER AND PER SIDE.
 SEE PAGE 52 FOR ALL AVAILABLE FINISH AND ATTACHMENT OPTIONS.

HEAVY BANDS (1/4") - 1" WIDE

Quantity	Price
2 Bands	2-H VBAND: \$428
3 Bands	3-H VBAND: \$642
4 Bands	4-H VBAND: \$856
Additional Bands (ea.)	1-H VBAND: \$214

SPECIFY ATTACHMENT METHOD, PLACEMENT, AND FINISH.
 QUANTITIES ABOVE ARE PER HOOD OR DUCT COVER AND PER SIDE.
 SEE PAGE 52 FOR ALL AVAILABLE FINISH AND ATTACHMENT OPTIONS.



DECORATIVE POT RAIL

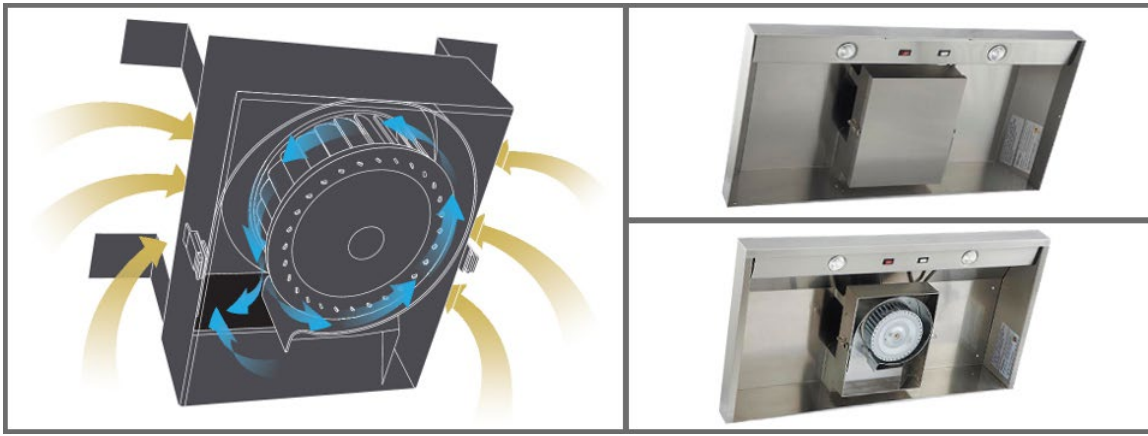
Hood Width	Wall Mount (Front Only)	Wall Mount (Front & Sides)	Island (All Sides)
36"	5/8"PR-FO-36: \$343	5/8"PR-FS-36: \$799	5/8"PR-IA-36: \$1256
42"	5/8"PR-FO-42: \$400	5/8"PR-FS-42: \$856	5/8"PR-IA-42: \$1370
48"	5/8"PR-FO-48: \$457	5/8"PR-FS-48: \$913	5/8"PR-IA-48: \$1484
54"	5/8"PR-FO-54: \$514	5/8"PR-FS-54: \$971	5/8"PR-IA-54: \$1598
60"	5/8"PR-FO-60: \$571	5/8"PR-FS-60: \$1028	5/8"PR-IA-60: \$1712
66"	5/8"PR-FO-66: \$628	5/8"PR-FS-66: \$1085	5/8"PR-IA-66: \$1826

SPECIFY PLACEMENT AND FINISH.
 SEE PAGE 52 FOR ALL AVAILABLE FINISH OPTIONS.





POWER LUNG RANGE HOODS



VENT-A-HOOD® POWER LUNG TECHNOLOGY

Vent-A-Hood®'s Power Lung products are engineered as efficient and quiet ventilators incorporating superior performance that fits the needs of the most common cooking products in the marketplace.

The exclusive Vent-A-Hood® Power Lung Blower and Centrifugal Filter chamber are built together to work as one in a single housing. Engineered to provide superior performance, the Power Lung eliminates grease that baffle filters and mesh screens do not.

VENT-A-HOOD®'S POWER LUNG DELIVERS WHAT MATTERS MOST IN VENTILATION

CAPTURES GREASE: Vent-A-Hood® range hoods featuring the exclusive Power Lung blower with the Centrifugal Filter chamber actively remove grease from the air. The grease is captured and held in a collecting tray that can be removed and cleaned. Grease is the enemy, and the Power Lung wins the battle.

CONTROLS SMOKE: Vent-A-Hood®'s Active Canopy design ensures more interior surface is utilized to hold hot air and smoke, preventing it from exiting the hood canopy and into the room.

EFFICIENT: Engineered with a canopy, incorporating a capture area for vapor holding capacity, makes the Power Lung much more effective and energy-efficient requiring lower CFM (cubic foot per minute) of air removal. Much like European products, the patented Power Lung design combines energy efficiency with superior product performance. Products available include 6" tall insert liners for wood enclosures, under-cabinet models including the stylish emerald series design, and traditional professional designs.

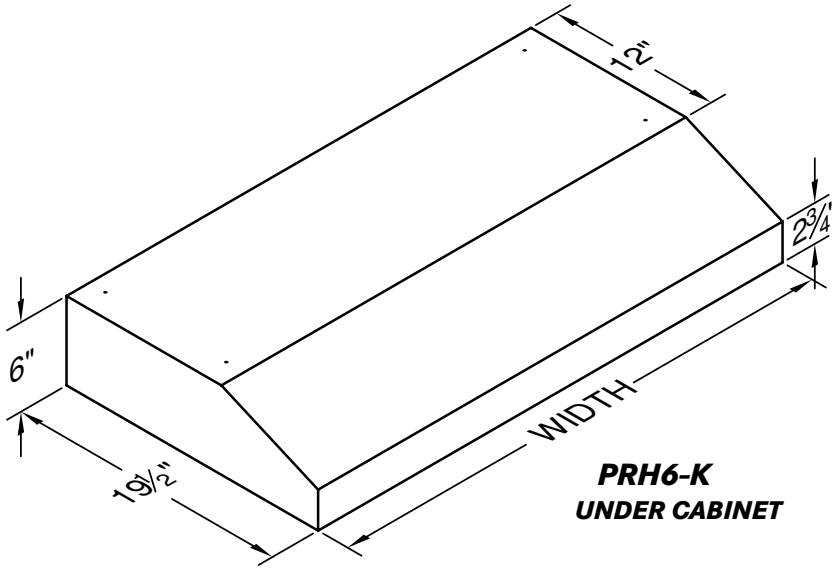
V-LINE UNDER CABINET & LINER INSERT

REC. MOUNTING HEIGHT FROM
COOKING SURFACE: 21"-24"

OPTIONAL TRANSITION TO 7" ROUND: VP521

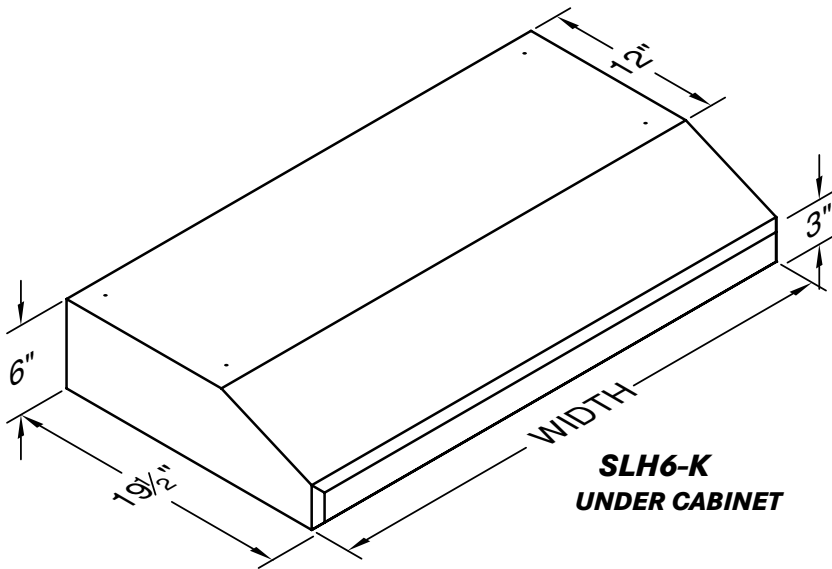
PRH6-K

Model No.	CFM	Width	Painted	Stainless	# Lts
PRH6-K24	250	24"	593	713	2
PRH6-K30		30"	593	713	2
PRH6-K36		36"	593	713	2
PRH6-K42		42"	696	862	3



SLH6-K

Model No.	CFM	Width	Painted	Stainless	# Lts
SLH6-K24	250	24"	593	713	2
SLH6-K30		30"	593	713	2
SLH6-K36		36"	593	713	2
SLH6-K42		42"	696	862	3

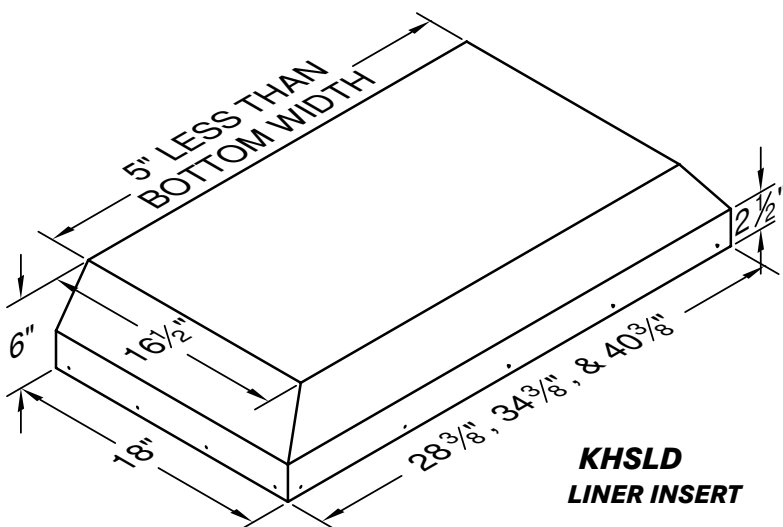


KHSLD

Model No.	CFM	Width	Painted	Stainless	# Lts
KH28SLD	250	28 3/8"	536	655	2
KH34SLD		34 3/8"	536	655	2
KH40SLD		40 3/8"	636	767	2

OPTIONAL TRIM KITS

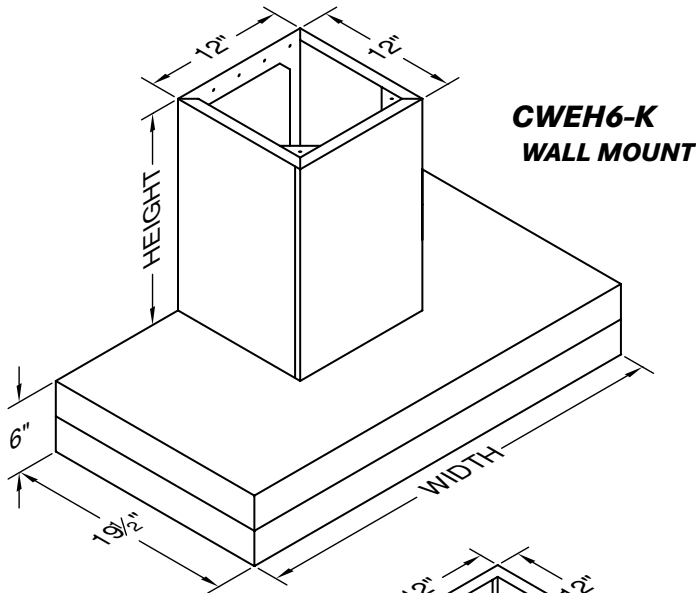
Model No.	Width	Painted	Stainless
TKK28SLD	28-3/8"	22.00	22.00
TKK34SLD	34-3/8"	22.00	22.00
TKK40SLD	40-3/8"	23.00	23.00



V-LINE CONTEMPORARY WALL MOUNT & ISLAND

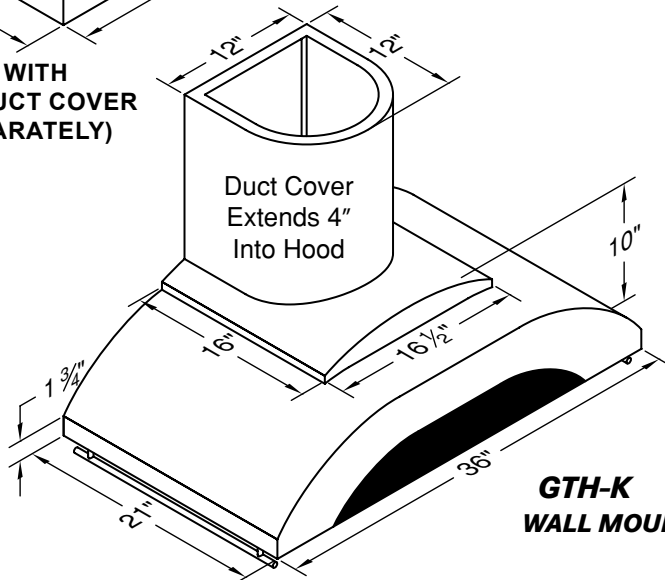
REC. MOUNTING HEIGHT FROM COOKING SURFACE:
CIEH6-K & GTH-K: 24", CIEH6-K: 30"

OPTIONAL TRANSITION TO 7" ROUND: VP521

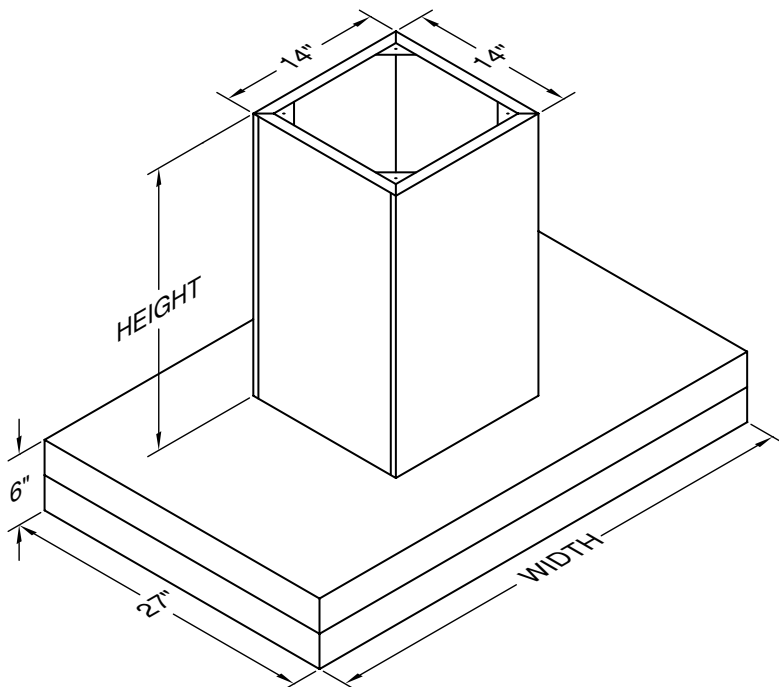


**CWEH6-K
WALL MOUNT**

SHOWN WITH
MATCHING DUCT COVER
(SOLD SEPARATELY)



**GTH-K
WALL MOUNT**



CWEH6-K

Model No.	CFM	Width	Painted	Stainless	# Lts
CWEH6-K30	250	30"	1,067	1,356	2
CWEH6-K36		36"	1,067	1,356	2
CWEH6-K42		42"	1,246	1,586	3
CWEH6-K48		48"	1,307	1,647	3

DUCT COVERS FOR CWEH6-K

Model No.	Width	Height	Painted	Stainless	Ceiling
WDCRND-12/18	12"	18"	642	693	7'
WDCRND-12/30		30"	707	811	8'
WDCRND-12/42		42"	772	928	9'
CUSTOM	WIDTH X HEIGHT X PLUS		0.49	0.79	405
FINISHED TOP	WIDTH X DEPTH X PLUS		0.49	0.79	237
SLOPED TOP*	ADD			405	

CEILING BASED ON REC. MAXIMUM HOOD MOUNTING HEIGHT.
* SPECIFY FRONT TO BACK OR LEFT TO RIGHT DIMENSIONS.

GTH-K

Model No.	CFM	Width	Stainless	# Lts
GTH-K36	250	36"	1,307	2

DUCT COVERS FOR GTH-K

Model No.	Width	Height	Stainless	Ceiling
WGDC-12/18	12"	18"	576	7'
WGDC-12/30		30"	693	8'
WGDC-12/42		42"	811	9'
CUSTOM	WIDTH X HEIGHT X PLUS		0.79	405

CEILING BASED ON REC. MAXIMUM HOOD MOUNTING HEIGHT.

GTH-K VARIATIONS

REMOVE FIXED LENGTH SS RAIL	
ADD	237

CIEH6-K

Model No.	CFM	Width	Painted	Stainless	# Lts
CIEH6-K36	250	36"	1,760	2,606	4
CIEH6-K42		42"	1,854	2,748	4

DUCT COVERS FOR CIEH6-K

Model No.	Width	Height	Painted	Stainless	Ceiling
IDCRND-14/24	12"	24"	624	698	9'
IDCRND-14/36		36"	733	844	10'
CUSTOM	WIDTH X HEIGHT X PLUS		0.65	0.87	405
SLOPED TOP*	ADD			405	

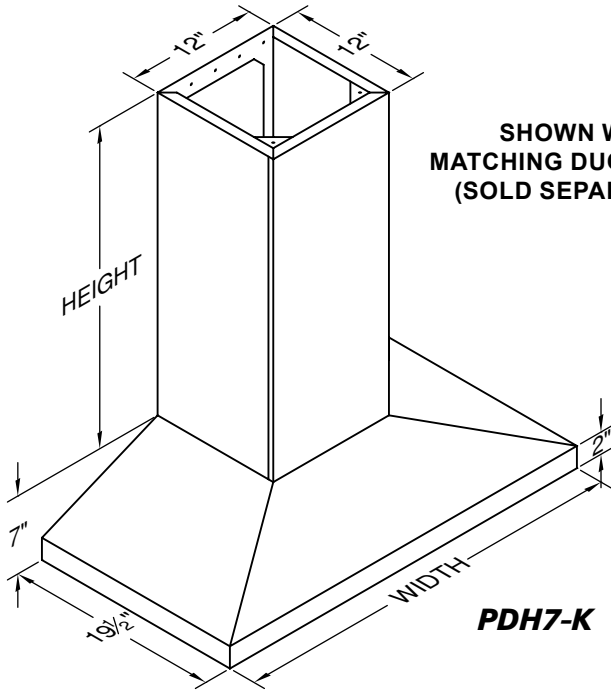
CEILING BASED ON REC. MAXIMUM HOOD MOUNTING HEIGHT.
* SPECIFY FRONT TO BACK OR LEFT TO RIGHT DIMENSIONS.

SHOWN WITH
MATCHING DUCT COVER
(SOLD SEPARATELY)

V-LINE EURO-STYLE WALL MOUNT

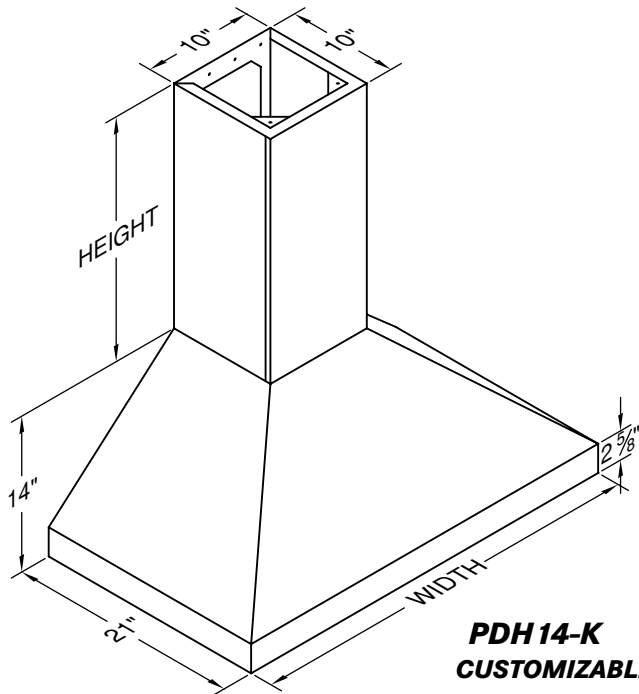
REC. MOUNTING HEIGHT FROM
COOKING SURFACE: 24"

PDH7-K OPTIONAL TRANSITION TO 7" ROUND: VP521
PDH14-K: TRANSITION TO 7" ROUND INCLUDED



SHOWN WITH
MATCHING DUCT COVER
(SOLD SEPARATELY)

PDH7-K



PDH7-K

Model No.	CFM	Width	Painted	Stainless	# Lts
PDH7-K30	250	30"	1,067	1,356	2
PDH7-K36		36"	1,067	1,356	2

DUCT COVERS FOR PDH7-K

Model No.	Width	Height	Painted	Stainless	Ceiling
W7DCRND-12/17	12"	17"	507	565	7'
W7DCRND-12/29		29"	580	678	8'
W7DCRND-12/41		41"	650	792	9'
CUSTOM	WIDTH X HEIGHT X PLUS		0.49	0.79	
			405		
FINISHED TOP	WIDTH X DEPTH X PLUS		0.49	0.79	
			237		
SLOPED TOP •	ADD		405		

CEILING BASED ON REC. MAXIMUM HOOD MOUNTING HEIGHT.
• SPECIFY FRONT TO BACK OR LEFT TO RIGHT DIMENSIONS.

PDH14-K

Model No.	CFM	Width	Painted	Stainless	Overlay •	# Lts
PDH14-K30	250	30"	1,175	1,624	2,336	2
PDH14-K36		36"	1,199	1,661	2,423	2
PDH14-K42		42"	1,261	1,783	2,648	3
PDH14-K48		48"	1,320	1,849	2,786	3

• FOR OVERLAY HOODS, SPECIFY INTERIOR COLOR.
VP521 TRANSITION TO 7" ROUND INCLUDED.

DUCT COVERS FOR PDH14-K

Model No.	Width	Height	Painted	Stainless	Overlay	Ceiling
WDCRND-10/10	10"	10"	445	484	523	7'
WDCRND-10/22		22"	510	576	668	8'
WDCRND-10/34		34"	576	668	811	9'
CUSTOM	WIDTH X HEIGHT X PLUS		0.49	0.79	1.23	
			405			
FINISHED TOP	WIDTH X DEPTH X PLUS		0.49	0.79	1.23	
			237			
SLOPED TOP •	ADD		405			

CEILING BASED ON REC. MAXIMUM HOOD MOUNTING HEIGHT.
• SPECIFY FRONT TO BACK OR LEFT TO RIGHT DIMENSIONS.

SHOWN WITH
MATCHING DUCT COVER
(SOLD SEPARATELY)

**PDH14-K
CUSTOMIZABLE!**

PDH14-K EURO-STYLE WALL MOUNT HOOD VARIATIONS

SPECIAL WIDTH (LESS THAN 48") USE NEXT LARGEST SIZE ON PRICE LIST, PLUS					STAINLESS STEEL INTERIOR ON OVERLAY HOOD SUBTRACT PAINTED HOOD PRICE FROM STAINLESS HOOD PRICE
				237	CUSTOM COLOR (SEE CUSTOM COLOR CHART) ADD
DEPTH OVER 21"					714
WIDTH X EXTRA DEPTH X PLUS	PAINTED	STAINLESS	OVERLAY		TRIM OPTIONS SEE PAGES 52-53 FOR FINISH AND TRIM OPTIONS
	1.17	1.72	2.34		
		405			



ARS DUCT FREE RANGE HOODS



VENT-A-HOOD® AIR RECOVERY SYSTEM (ARS) DUCT FREE RANGE HOODS

From the creators of kitchen ventilation comes a new idea in duct-free hoods – the Patented Air Recovery System (ARS). Utilizing a proprietary 4-phase technology, Vent-A-Hood®'s ARS series is ideal for light residential cooking where venting is not possible. They're powerful, quiet, efficient, easy to maintain, and, because they're duct-free, they offer unlimited design freedom.

While conventional ductless hoods return contaminants into the kitchen, a duct-free ARS Vent-A-Hood® is in a different class of kitchen ventilation systems. The 4-phase ARS Patent-Pending process systematically eliminates contaminants, reclaiming the air and returning it clean and fresh into the kitchen.

Phase 1: Active canopy technology effectively captures cooking vapors

Phase 2: Centrifugal grease extractor removes grease from air stream

Phase 3: Massive activated carbon bed has 50 times more exposure than conventional ductless hoods

Phase 4: High efficiency micro-filter uses interception, impaction and diffusion process to capture even minute smoke particles

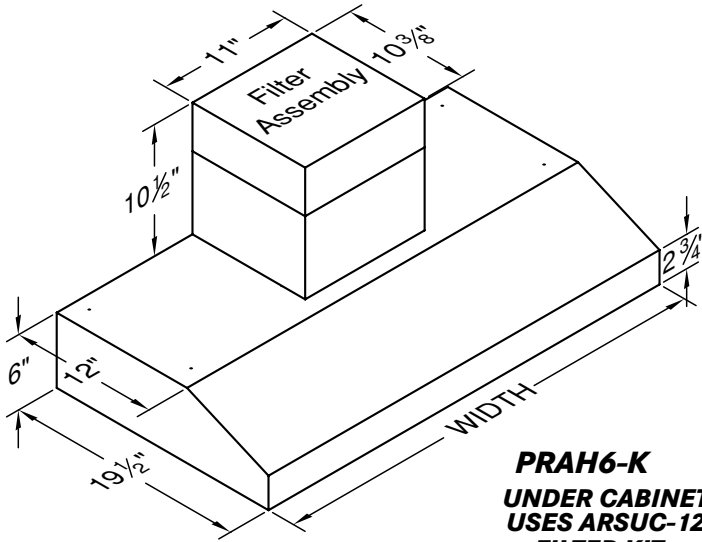
And because the 4-phase kitchen ventilation process works so well, your home interior, including furnishings and fabrics, stay cleaner and last longer, allowing you to continue cooking and entertaining in your home for years to come.

Like all Vent-A-Hood® systems, the ARS kitchen ventilation is made in the USA and offers the quality, craftsmanship, and performance you've come to expect from the company that invented kitchen ventilation. We work hard to live up to our reputation as the most respected name in home ventilation. So, not only do we make sure you get better air, we guarantee you get great value.

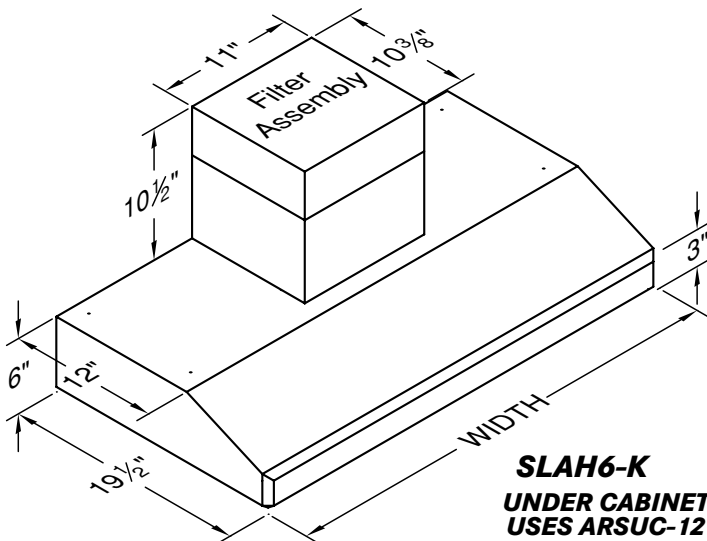
ARS DUCT FREE UNDER CABINET & LINER INSERT

REC. MOUNTING HEIGHT FROM
COOKING SURFACE: 21"-24"

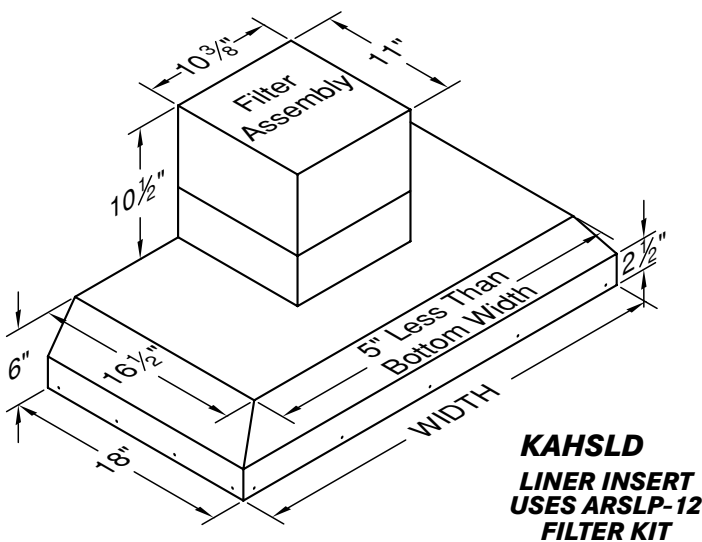
ARS FILTER KIT REQUIRED
(SOLD SEPARATELY)



PRAH6-K
UNDER CABINET
USES ARSUC-12
FILTER KIT



SLAH6-K
UNDER CABINET
USES ARSUC-12
FILTER KIT



KAHS LD
LINER INSERT
USES ARSLP-12
FILTER KIT

PRAH6-K

Model No.	ARS Kit •	Width	Painted	Stainless	# Lts
PRAH6-K24	ARSUC-12	24"	593	713	2
PRAH6-K30		30"	593	713	2
PRAH6-K36		36"	593	713	2
PRAH6-K42		42"	696	862	3

• ARS KIT IS REQUIRED FOR INSTALLATION, SOLD SEPARATELY.

SLAH6-K

Model No.	ARS Kit •	Width	Painted	Stainless	# Lts
SLAH6-K24	ARSUC-12	24"	593	713	2
SLAH6-K30		30"	593	713	2
SLAH6-K36		36"	593	713	2
SLAH6-K42		42"	696	862	3

• ARS KIT IS REQUIRED FOR INSTALLATION, SOLD SEPARATELY.

KAHS LD

Model No.	ARS Kit •	Width	Painted	Stainless	# Lts
KAH28SLD	ARSLP-12	28 3/8"	536	655	2
KAH34SLD		34 3/8"	536	655	2
KAH40SLD		40 3/8"	636	767	2

• ARS KIT IS REQUIRED FOR INSTALLATION, SOLD SEPARATELY.

OPTIONAL TRIM KITS

Model No.	Width	Painted	Stainless
TKK28SLD	28-3/8"	22.00	22.00
TKK34SLD	34-3/8"	22.00	22.00
TKK40SLD	40-3/8"	23.00	23.00

ARS FILTER KITS

Model No.	Description	Price
ARSLP-12	ARS Filter Assembly - Low Profile	299
ARSUC-12	ARS Filter Assembly - Under Cabinet	299

ARS FILTER REPLACEMENT PARTS

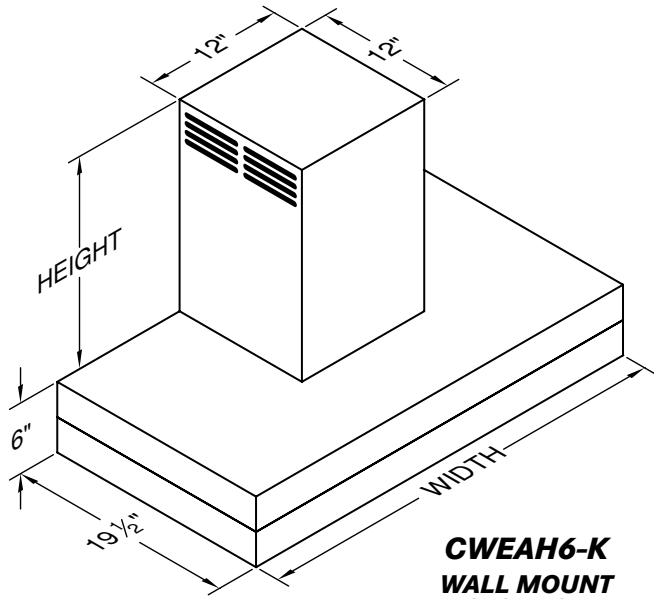
Model No.	Description	Price
PARS-12	12" x 12" Replacement H.E. Filter Assembly	233
PARS-C	Replacement Activated Carbon Pellets - 1 Gallon	66

THE H.E. FILTER ASSEMBLY AND ACTIVATED CARBON MEDIA SHOULD BE CHANGED AS NEEDED BASED ON USAGE.

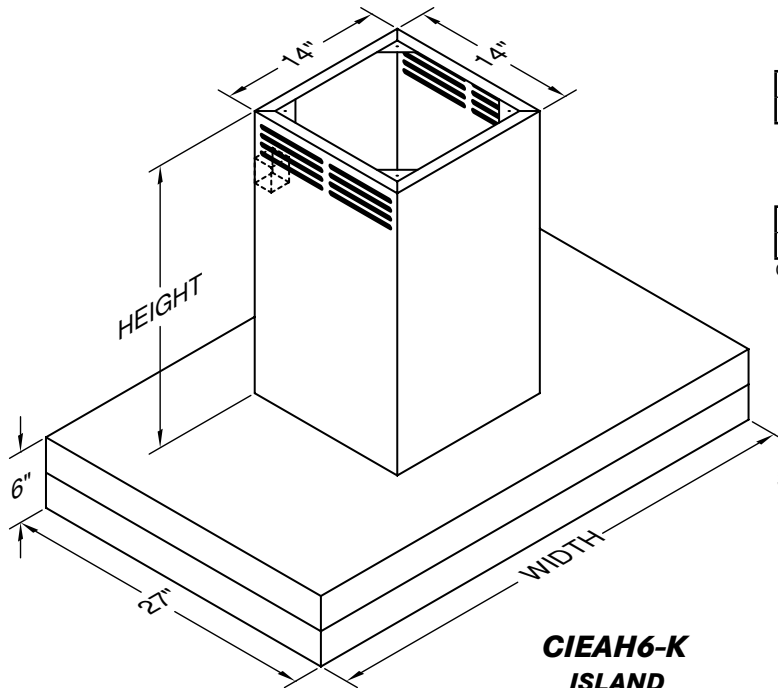
ARS DUCT FREE CONTEMPORARY WALL MOUNT & ISLAND

REC. MOUNTING HEIGHT FROM COOKING SURFACE:
CWEAH6-K: 21"-24", CIEAH6-K: 30"

ARS FILTER KIT REQUIRED
(SOLD SEPARATELY)



**CWEAH6-K
WALL MOUNT
USES ARS-12
FILTER KIT**



**CIEAH6-K
ISLAND
USES ARSLP-12
FILTER KIT**

SHOWN WITH MATCHING DUCT
COVER AND ARS-12 FILTER
KIT (SOLD SEPARATELY)

CWEAH6-K

Model No.	ARS Kit •	Width	Painted	Stainless	# Lts
CWEAH6-K30	ARS-12	30"	938	1,188	2
CWEAH6-K36		36"	938	1,188	2
CWEAH6-K42		42"	1,087	1,387	3
CWEAH6-K48		48"	1,138	1,423	3

•ARS KIT IS REQUIRED FOR INSTALLATION, SOLD SEPARATELY.

DUCT COVERS FOR CWEAH6-K

Model No.	Width	Height	Painted	Stainless	Ceiling
WDCAND-12/18	12"	18"	668	719	7'
WDCAND-12/30		30"	732	824	8'
WDCAND-12/42		42"	798	916	9'

CEILING BASED ON REC. MAXIMUM HOOD MOUNTING HEIGHT.

CIEAH6-K

Model No.	ARS Kit •	Width	Painted	Stainless	# Lts
CIEAH6-K36	ARSLP-12	36"	1,760	2,346	4
CIEAH6-K42		42"	1,854	2,473	4

•ARS KIT IS REQUIRED FOR INSTALLATION, SOLD SEPARATELY.

DUCT COVERS FOR CIEAH6-K

Model No.	Width	Height	Painted	Stainless	Ceiling
IDCAND-14/24	14"	24"	759	834	8'
IDCAND-14/36		36"	868	980	9'

CEILING BASED ON REC. MAXIMUM HOOD MOUNTING HEIGHT.

SHOWN WITH MATCHING DUCT
COVER AND ARSLP-12 FILTER
KIT (SOLD SEPARATELY)

ARS FILTER KITS

Model No.	Description	Price
ARS-12	ARS Filter Assembly for CWEAH6-K	404
ARSLP-12	ARS Filter Assembly - Low Profile	299

ARS FILTER REPLACEMENT PARTS

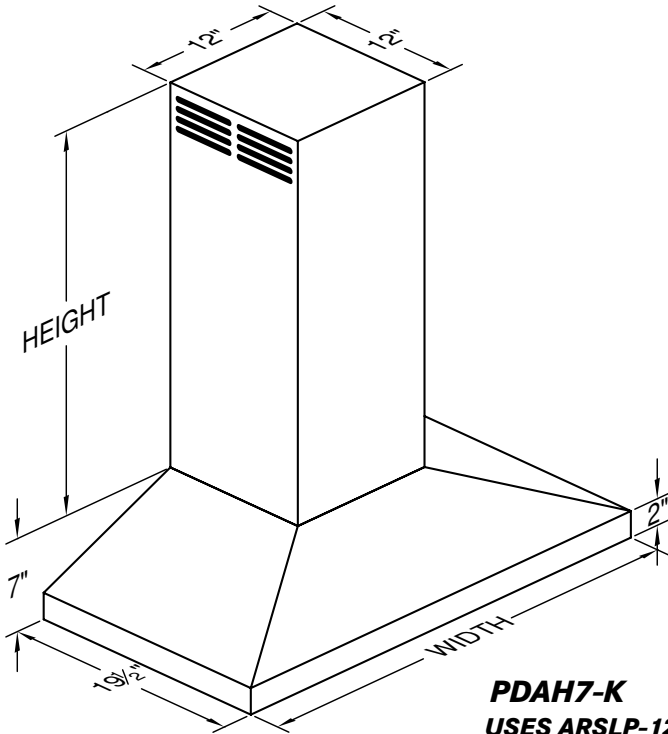
Model No.	Description	Price
PARS-12	12" x 12" Replacement H.E. Filter Assembly	233
PARS-C	Replacement Activated Carbon Pellets - 1 Gallon	66

THE H.E. FILTER ASSEMBLY AND ACTIVATED CARBON MEDIA SHOULD BE CHANGED AS NEEDED BASED ON USAGE.

ARS DUCT FREE EURO-STYLE WALL MOUNT

REC. MOUNTING HEIGHT FROM
COOKING SURFACE: 24"

ARS FILTER KIT REQUIRED
(SOLD SEPARATELY)



**PDAH7-K
USES ARSLP-12
FILTER KIT**

PDAH7-K

Model No.	ARS Kit •	Width	Painted	Stainless	# Lts
PDAH7-K30	ARSLP-12	30"	1,067	1,356	2
PDAH7-K36		36"	1,067	1,356	2

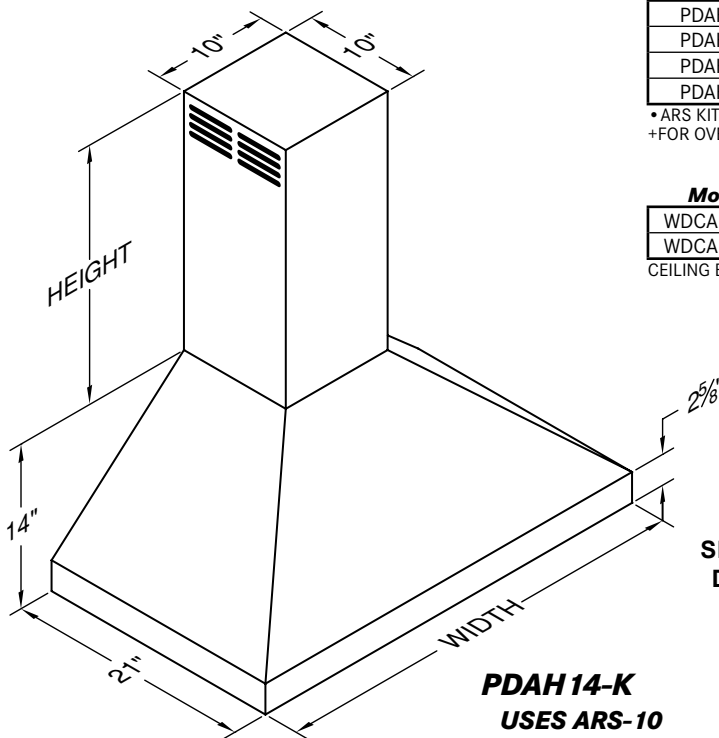
• ARS KIT IS REQUIRED FOR INSTALLATION, SOLD SEPARATELY.

DUCT COVERS FOR PDAH7-K

Model No.	Width	Height	Painted	Stainless	Ceiling
W7DCAND-12/17	12"	17"	662	711	7'
W7DCAND-12/29		29"	727	816	8'
W7DCAND-12/41		41"	793	907	9'

CEILING BASED ON REC. MAXIMUM HOOD MOUNTING HEIGHT.

SHOWN WITH MATCHING DUCT
COVER AND ARSLP-12 FILTER
KIT (SOLD SEPARATELY)



**PDAH14-K
USES ARS-10
FILTER KIT**

PDAH14-K

Model No.	ARS Kit •	Width	Painted	Stainless	Overlay+	# Lts
PDAH14-K30	ARS-10	30"	1,175	1,624	2,336	2
PDAH14-K36		36"	1,199	1,661	2,423	2
PDAH14-K42		42"	1,261	1,783	2,648	3
PDAH14-K48		48"	1,320	1,849	2,786	3

• ARS KIT IS REQUIRED FOR INSTALLATION, SOLD SEPARATELY.
+FOR OVERLAY HOODS, SPECIFY INTERIOR COLOR.

DUCT COVERS FOR PDAH14-K

Model No	Width	Height	Painted	Stainless	Overlay	Ceiling
WDCAND-10/22	10"	22"	668	732	811	8'
WDCAND-10/34		34"	719	811	943	9'

CEILING BASED ON REC. MAXIMUM HOOD MOUNTING HEIGHT.

SHOWN WITH MATCHING
DUCT COVER AND ARS
FILTER KIT

ARS FILTER KITS

Model No.	Description	Price
ARS-10	ARS Filter Assembly for PDAH14-K	404
ARSLP-12	ARS Filter Assembly - Low Profile	299

ARS FILTER REPLACEMENT PARTS

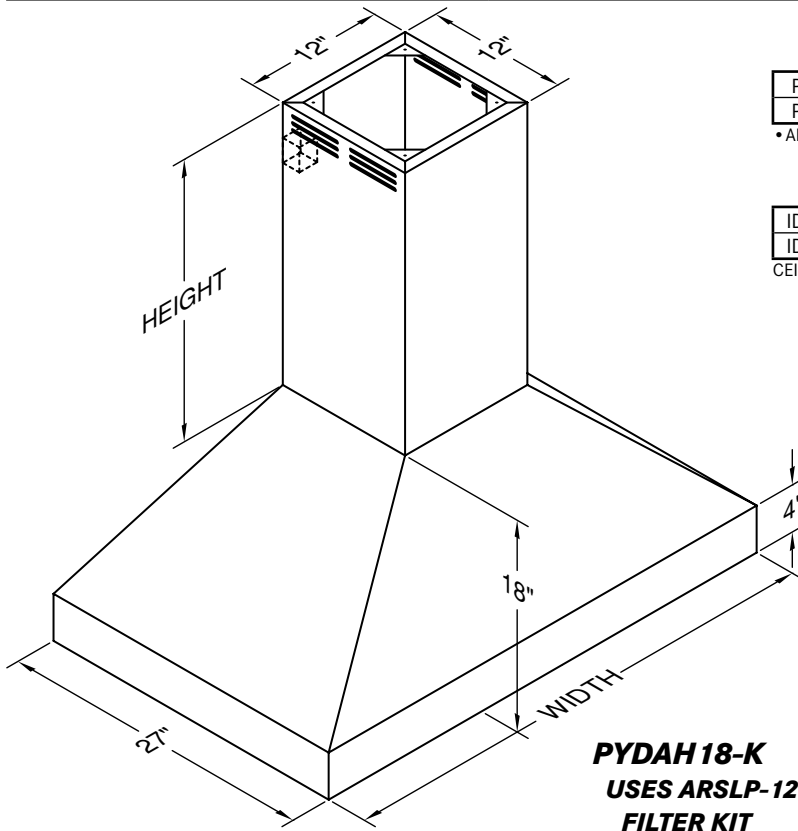
Model No.	Description	Price
PARS-10	10" x 10" Replacement H.E. Filter Assembly	233
PARS-12	12" x 12" Replacement H.E. Filter Assembly	233
PARS-C	Replacement Activated Carbon Pellets - 1 Gallon	66

THE H.E. FILTER ASSEMBLY AND ACTIVATED CARBON MEDIA SHOULD BE CHANGED AS NEEDED BASED ON USAGE.

ARS DUCT FREE EURO-STYLE ISLAND

REC. MOUNTING HEIGHT FROM
COOKING SURFACE: 30"

ARS FILTER KIT REQUIRED
(SOLD SEPARATELY)



PYDAH 18-K

Model No.	ARS Kit •	Width	Painted	Stainless	# Lts
PYDAH18-K36	ARSLP-12	36"	2,798	3,808	4
PYDAH18-K42		42"	2,918	3,968	4

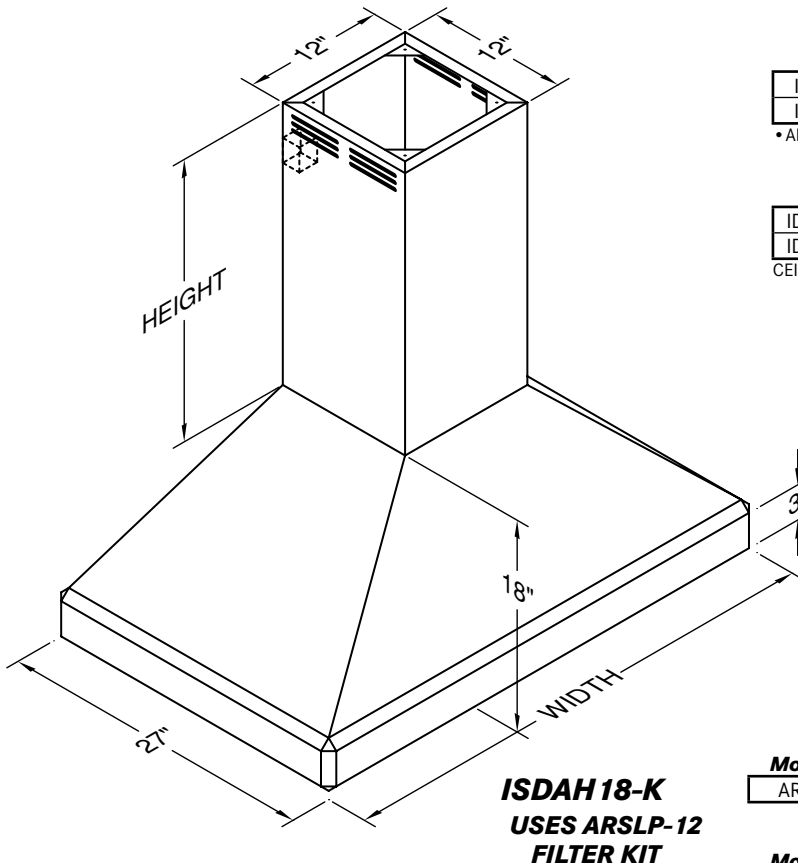
• ARS KIT IS REQUIRED FOR INSTALLATION, SOLD SEPARATELY.

DUCT COVERS FOR PYDAH 18-K

Model No.	Width	Height	Painted	Stainless	Ceiling
IDCAND-12/24	12"	24"	732	824	9'
IDCAND-12/36		36"	798	916	10'

CEILING BASED ON REC. MAXIMUM HOOD MOUNTING HEIGHT.

SHOWN WITH MATCHING DUCT
COVER AND ARSLP-12 FILTER
KIT (SOLD SEPARATELY)



ISDAH 18-K

Model No.	ARS Kit •	Width	Painted	Stainless	# Lts
ISDAH18-K36	ARSLP-12	36"	3,314	4,353	4
ISDAH18-K42		42"	3,432	4,513	4

• ARS KIT IS REQUIRED FOR INSTALLATION, SOLD SEPARATELY.

DUCT COVERS FOR ISDAH 18-K

Model No.	Width	Height	Painted	Stainless	Ceiling
IDCAND-12/24	12"	24"	732	824	9'
IDCAND-12/36		36"	798	916	10'

CEILING BASED ON REC. MAXIMUM HOOD MOUNTING HEIGHT.

SHOWN WITH MATCHING DUCT
COVER AND ARSLP-12 FILTER
KIT (SOLD SEPARATELY)

ARS FILTER KITS

Model No.	Description	Price
ARSLP-12	ARS Filter Assembly - Low Profile	299

ARS FILTER REPLACEMENT PARTS

Model No.	Description	Price
PARS-12	12" x 12" Replacement H.E. Filter Assembly	233
PARS-C	Replacement Activated Carbon Pellets - 1 Gallon	66

THE H.E. FILTER ASSEMBLY AND ACTIVATED CARBON MEDIA SHOULD BE CHANGED AS NEEDED BASED ON USAGE.

Vent-A-Hood®

M SERIES RANGE HOODS



VENT-A-HOOD® M LINE RANGE HOODS

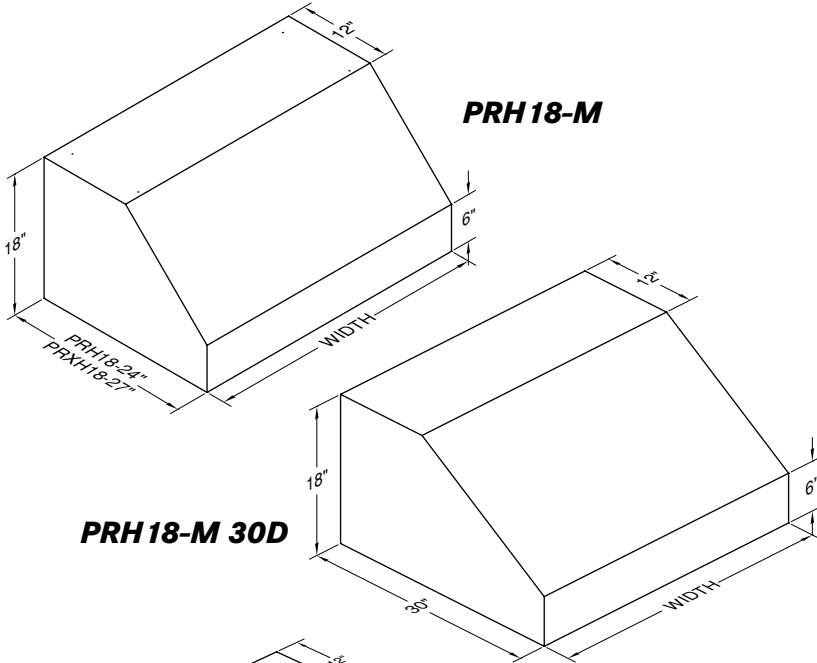
M Line Range Hoods by Vent-A-Hood® feature high quality brushed stainless steel fascias and corrosion resistant steel canopies. Industrial grade stainless steel baffle filters are used for maximum effectiveness. A 4-speed control (included) regulates M-Series blowers (630 CFM or 1035 CFM - sold separately). Easy installation - for use over standard Professional-style residential cooking equipment.

Note: The RM1000 and RM1500 remote blowers for the M Series Vent Hoods are located on Page 47.

M SERIES WALL MOUNT

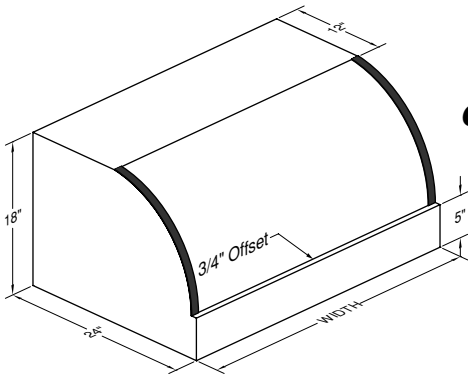
REC. MOUNTING HEIGHT FROM COOKING SURFACE: 30"

BLOWER ASSEMBLY REQUIRED
(SOLD SEPARATELY)

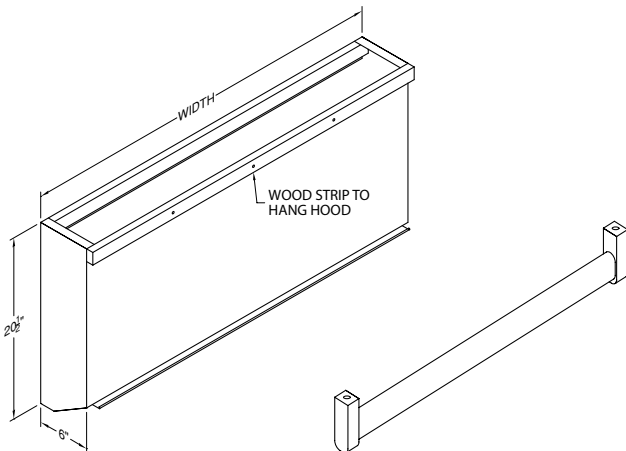
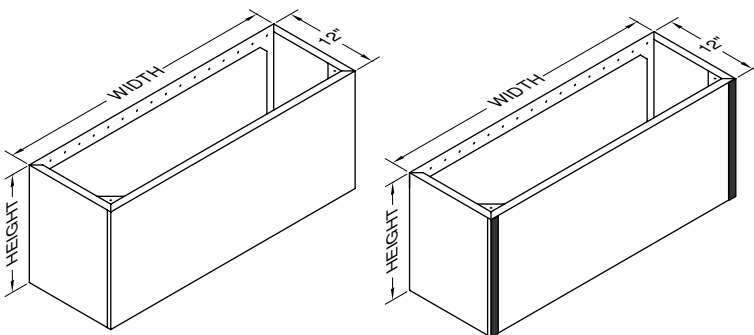


PRH18-M

PRH18-M 30D



CXH18-M



PRH18-M/PRXH18-M

Model No.	Width	Price	# Lts	Filters
PRH18-M30 SS	30"	1,284	2	2
PRH18-M36 SS	36"	1,306	2	2
PRH18-M42 SS	42"	1,412	2	2
PRH18-M48 SS	48"	1,490	3	3
PRH18-M54 SS	54"	1,822	4	3
PRH18-M60 SS	60"	1,978	4	4
PRH18-M66 SS	66"	2,113	4	4

FOR 27" DEEP MODEL, ORDER PRXH18-M (NO ADDITIONAL COST)
BLOWER SOLD SEPARATELY
STAINLESS STEEL BAFFLE FILTERS AND GU10 LIGHTING INCLUDED.

PRH18-M 30"D

Model No.	Width	Price	# Lts	Filters
PRH18-M36x30 SS	36"	1,931	2	2
PRH18-M42x30 SS	42"	2,125	2	2
PRH18-M48x30 SS	48"	2,270	3	3
PRH18-M54x30 SS	54"	2,674	4	3

BLOWER SOLD SEPARATELY
STAINLESS STEEL BAFFLE FILTERS AND GU10 LIGHTING INCLUDED.

CXH18-M

Model No.	Width	Price	# Lts	Filters
CXH18-M30 SS	30"	1,641	2	2
CXH18-M36 SS	36"	1,663	2	2
CXH18-M42 SS	42"	1,775	2	2
CXH18-M48 SS	48"	1,909	3	3
CXH18-M54 SS	54"	2,207	4	3
CXH18-M60 SS	60"	2,374	4	4
CXH18-M66 SS	66"	2,584	4	4

BLOWER SOLD SEPARATELY
STAINLESS STEEL BAFFLE FILTERS AND GU10 LIGHTING INCLUDED.
1" STAINLESS STEEL BANDS INCLUDED.

WALL MOUNT DUCT COVER OPTIONS

Model No.	Width	Height	Price	Ceiling
WDCM-30 SS	30"	12"	500	8'
WDCM-30/24 SS		24"	707	9'
WDCM-30/36 SS		36"	915	10'
WDCM-36 SS	36"	12"	541	8'
WDCM-36/24 SS		24"	790	9'
WDCM-36/36 SS		36"	1,037	10'
WDCM-42 SS	42"	12"	584	8'
WDCM-42/24 SS		24"	874	9'
WDCM-42/36 SS		36"	1,162	10'
WDCM-48 SS	48"	12"	624	8'
WDCM-48/24 SS		24"	956	9'
WDCM-48/36 SS		36"	1,286	10'
WDCM-54 SS	54"	12"	666	8'
WDCM-60 SS	60"	12"	707	8'
WDCM-66 SS	66"	12"	749	8'

USE XDCM MODEL NUMBER PREFIX FOR CXH18-M HOODS.
1" STAINLESS STEEL BANDS INCLUDED ON XDCM MODELS.
CEILING BASED ON REC. MAXIMUM HOOD MOUNTING HEIGHT.

M SERIES BBQ EXTENSION

Model No.	Width	Price	WR Rail	Price
BBE-M30 SS	30"	471	WR-M30	93
BBE-M36 SS	36"	554	WR-M36	104
BBE-M42 SS	42"	607	WR-M42	104
BBE-M48 SS	48"	649	WR-M48	110
BBE-M54 SS	54"	696	WR-M54	110
BBE-M60 SS	60"	743	WR-M60	110

WR RAIL SOLD SEPARATELY
FOR USE ON CXH18-M, PRH18-M, AND PRXH18-M

M SERIES EURO-STYLE WALL MOUNT

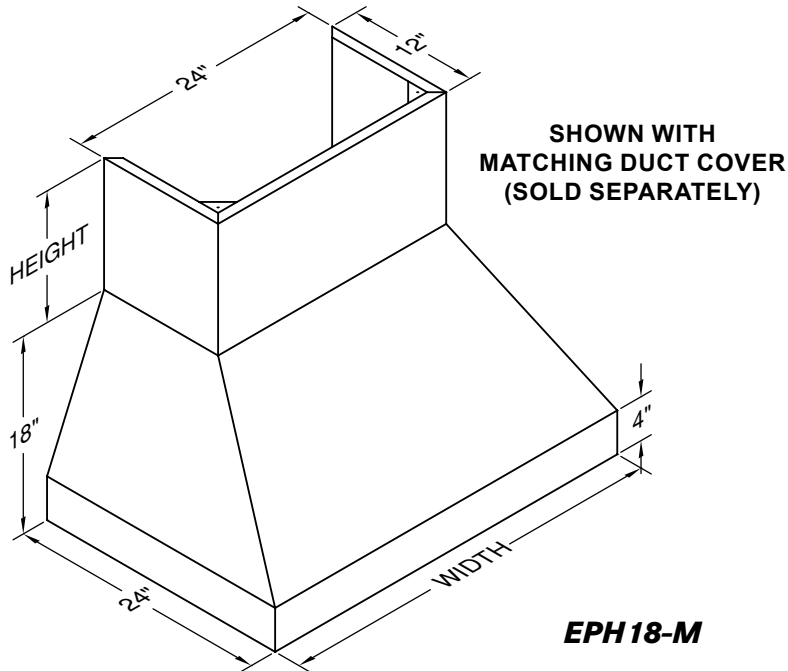
REC. MOUNTING HEIGHT FROM
COOKING SURFACE: 30"

BLOWER ASSEMBLY REQUIRED
(SOLD SEPARATELY)

EPH18-M

Model No.	Width	Price	# Lts	Filters
EPH18-M36 SS	36"	1,676	2	2
EPH18-M42 SS	42"	1,836	2	2
EPH18-M48 SS	48"	1,951	3	3

BLOWER SOLD SEPARATELY
STAINLESS STEEL BAFFLE FILTERS AND GU10 LIGHTING INCLUDED.

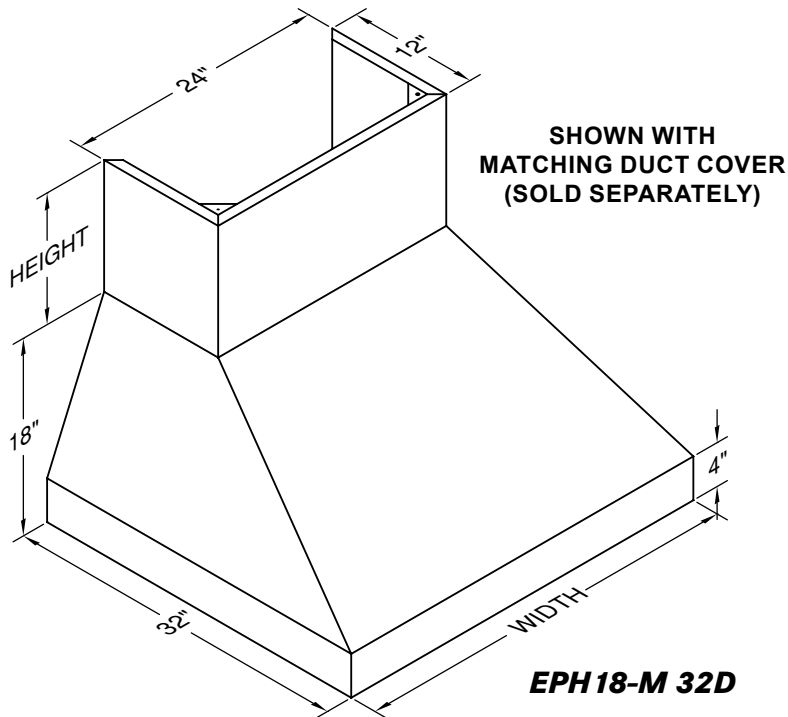


EPH18-M

EPH18-M 32"D

Model No.	Width	Price	# Lts	Filters
EPH18-M36X32 SS	36"	2,462	2	2
EPH18-M42X32 SS	42"	2,687	2	2
EPH18-M48X32 SS	48"	2,864	3	3

BLOWER SOLD SEPARATELY
STAINLESS STEEL BAFFLE FILTERS AND GU10 LIGHTING INCLUDED.

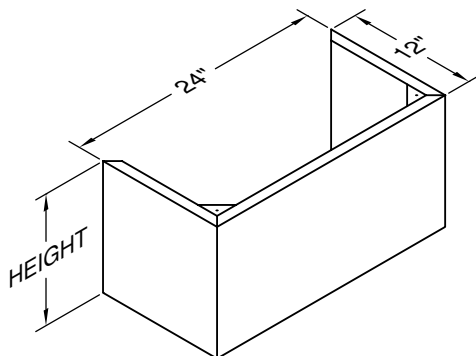


EPH18-M 32D

EURO WALL MOUNT DUCT COVERS

Model No.	Width	Height	Price	Ceiling
WDCM-24/12 SS	24"	12"	628	8'
WDCM-24/24 SS		24"	889	9'
WDCM-24/36 SS		36"	1,068	10'

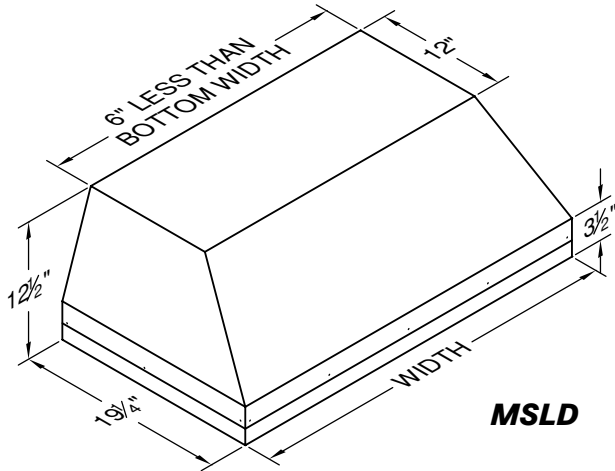
CEILING BASED ON REC. MAXIMUM HOOD MOUNTING HEIGHT.



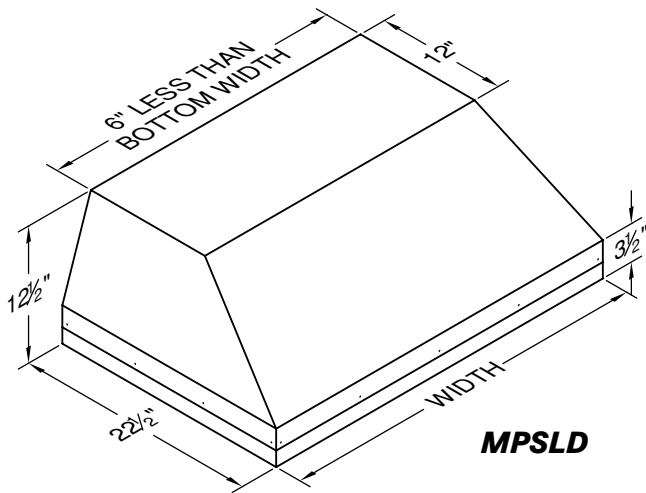
M SERIES WALL MOUNT LINER INSERTS & BLOWERS

REC. MOUNTING HEIGHT FROM COOKING SURFACE:
MSLD: 24"-27", MPSLD: 27"-30"

BLOWER ASSEMBLY REQUIRED
(SOLD SEPARATELY)



MSLD



MPSLD

MSLD

Model No.	Width	Price	# Lts	Filters
M28SLD SS	28 3/8"	679	2	2
M34SLD SS	34 3/8"	679	2	2
M40SLD SS	40 3/8"	751	2	2
M46SLD SS	46 3/8"	931	3	3
M52SLD SS	52 3/8"	1,617	3	3
M58SLD SS	58 3/8"	1,712	4	4
M64SLD SS	64 3/8"	1,954	4	4

BLOWER SOLD SEPARATELY
STAINLESS STEEL BAFFLE FILTERS AND GU10 LIGHTING INCLUDED.

MPSLD

Model No.	Width	Price	# Lts	Filters
M28PSLD SS	28 3/8"	679	2	2
M34PSLD SS	34 3/8"	679	2	2
M40PSLD SS	40 3/8"	751	2	2
M46PSLD SS	46 3/8"	931	3	3
M52PSLD SS	52 3/8"	1,617	3	3
M58PSLD SS	58 3/8"	1,712	4	4
M64PSLD SS	64 3/8"	1,954	4	4

BLOWER SOLD SEPARATELY
STAINLESS STEEL BAFFLE FILTERS AND GU10 LIGHTING INCLUDED.



M600

BLOWER OPTIONS

Model No.	CFM+	Amps	Price	Incl. •	Duct Size
M600	630	5.0	450	N/A	6" Round
M1200	1035	10.0	866	VP566	10" Round
WHM300*	300	5.0	14	N/A	6" Round
WHM400*	400	5.0	14	N/A	6" Round

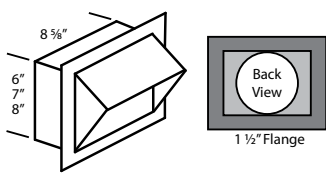
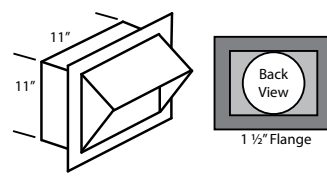
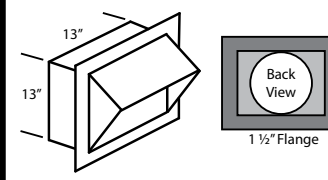
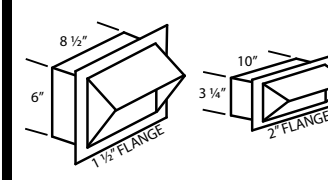
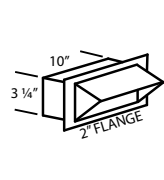
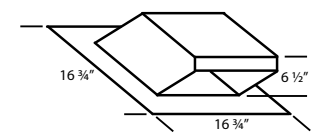
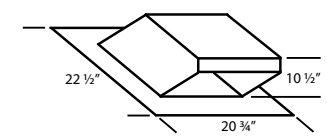
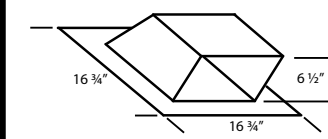
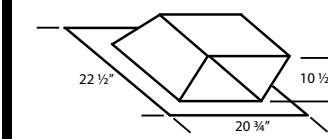
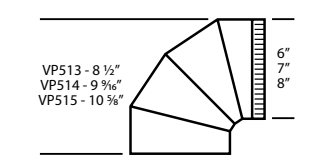
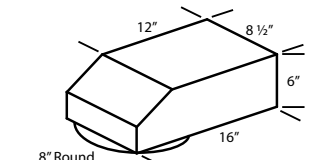
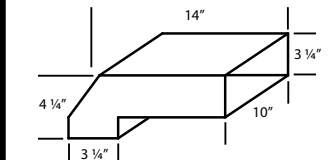
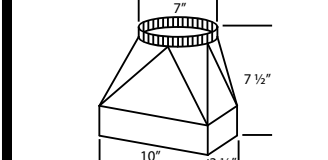
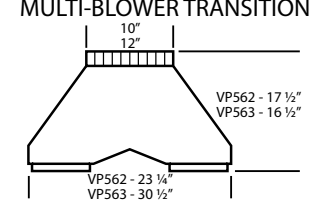
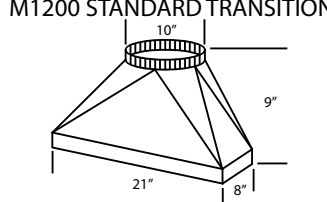
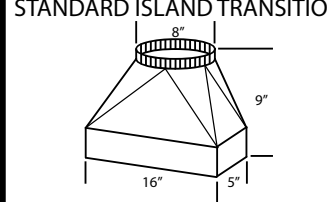
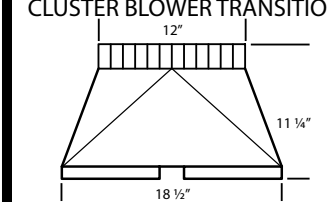
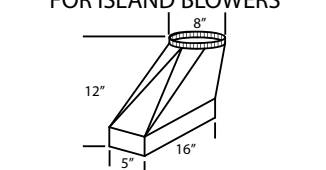
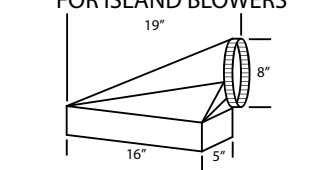
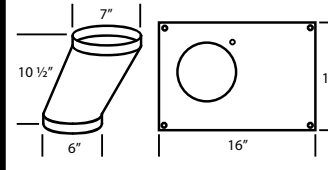
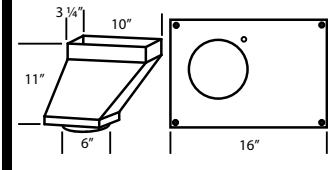
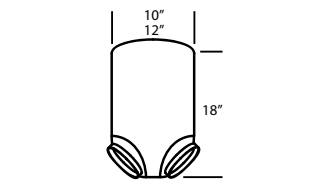
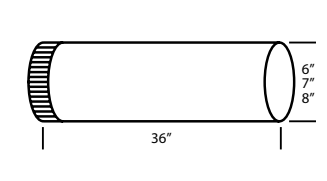
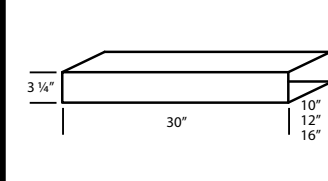
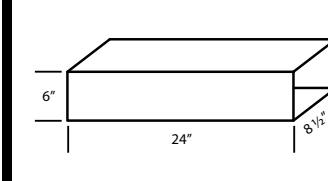
+ CFM RATING IS AT 0.0" STATIC PRESSURE
• VP566 TRANSITION IS PACKAGED SEPARATELY FROM M1200 BLOWER
* WHM300 IS A HARNESS TO BE USED WITH THE M600 WHICH LIMITS TO 300 CFM
* WHM400 IS A HARNESS TO BE USED WITH THE M600 WHICH LIMITS TO 400 CFM



M1200

VENTING ACCESSORIES

PRICES DO NOT INCLUDE SHIPPING & HANDLING CHARGES.

WALL LOUVER			WALL LOUVER			WALL LOUVER			RECTANGULAR WALL LOUVER					
														
MODEL	DESCRIPTION	PRICE	MODEL	DESCRIPTION	PRICE	MODEL	DESCRIPTION	PRICE	MODEL	DESCRIPTION	PRICE	MODEL	DESCRIPTION	PRICE
VP526	6" Round	\$55.91	VP554	10" Round	\$79.71	VP555	12" Round	\$79.71	VP538	6" x 8-1/2"	\$55.91	VP560	3-1/4" x 10"	\$40.45
VP527	7" Round	\$55.91												
VP528	8" Round	\$55.91												
LOW PROFILE ROOF JACK (MAXIMUM 4/12 PITCH)			LOW PROFILE ROOF JACK (MAXIMUM 4/12 PITCH)			LOW PROFILE ROOF JACK (MINIMUM 4/12 PITCH)			LOW PROFILE ROOF JACK (MINIMUM 4/12 PITCH)					
														
MODEL	DESCRIPTION	PRICE	MODEL	DESCRIPTION	PRICE	MODEL	DESCRIPTION	PRICE	MODEL	DESCRIPTION	PRICE	MODEL	DESCRIPTION	PRICE
VP539	6" Round	\$55.91	VP552	10" Round	\$120.15	VP539-HP	6" Round	\$55.91	VP552-HP	10" Round	\$120.15	VP539-HP	6" Round	\$55.91
VP540	7" Round	\$55.91	VP553	12" Round	\$120.15	VP540-HP	7" Round	\$55.91	VP553-HP	12" Round	\$120.15	VP540-HP	7" Round	\$55.91
VP541	8" Round	\$55.91				VP541-HP	8" Round	\$55.91				VP541-HP	8" Round	\$55.91
ADJUSTABLE ELBOW			BACK/SIDE VENT ELBOW			3 1/4" x 10" BACK VENT ELBOW			3 1/4" x 10" TO 7" TRANSITION					
														
MODEL	DESCRIPTION	PRICE	MODEL	DESCRIPTION	PRICE	MODEL	DESCRIPTION	PRICE	MODEL	DESCRIPTION	PRICE	MODEL	DESCRIPTION	PRICE
VP513	6" Round	\$16.65	VP561	8" to 6" x 8-1/2"	\$22.61	VP559	3-1/4" x 10"	\$22.61	VP521	3-1/4" x 10 to 7"	\$22.61			
VP514	7" Round	\$16.65												
VP515	8" Round	\$16.65												
MULTI-BLOWER TRANSITION			M1200 STANDARD TRANSITION			STANDARD ISLAND TRANSITION			CLUSTER BLOWER TRANSITION					
														
MODEL	DESCRIPTION	PRICE	MODEL	DESCRIPTION	PRICE	MODEL	DESCRIPTION	PRICE	MODEL	DESCRIPTION	PRICE	MODEL	DESCRIPTION	PRICE
VP562	6" & 8" to 10"	\$120.15	VP566	M1200 Transition	\$44.02	VP565	5" x 16" to 8" Rnd	\$44.02	VP564	8" & 8" to 12"	\$44.02			
VP563	8" & 8" to 12"	\$120.15												
OFFSET L & R TRANSITION FOR ISLAND BLOWERS			SIDE VENT TRANSITION L & R FOR ISLAND BLOWERS			OFFSET KIT - ROUND			OFFSET KIT - RECTANGULAR					
														
MODEL	DESCRIPTION	PRICE	MODEL	DESCRIPTION	PRICE	MODEL	DESCRIPTION	PRICE	MODEL	DESCRIPTION	PRICE	MODEL	DESCRIPTION	PRICE
VP542	Top Left	\$44.02	VP544	Side Left	\$44.02	VP529	6" Rnd to 7" Rnd	\$22.61	VP550	6" to 3-1/4" x 10"	\$22.61			
VP543	Top Right	\$44.02	VP545	Side Right	\$44.02									
"Y" TRANSITION			ROUND DUCT PIPE			3 1/4" RECTANGULAR DUCT PIPE			6" RECTANGULAR DUCT PIPE					
														
MODEL	DESCRIPTION	PRICE	MODEL	DESCRIPTION	PRICE	MODEL	DESCRIPTION	PRICE	MODEL	DESCRIPTION	PRICE	MODEL	DESCRIPTION	PRICE
VP517	8" & 8" to 12"	\$49.97	VP500	6" Round	\$19.04	VP504	3-1/4" x 10"	\$19.04	VP507	6" x 8-1/2"	\$19.04			
VP518	6" & 8" to 12"	\$49.97	VP501	7" Round	\$19.04	VP505	3-1/4" x 12"	\$19.04						
VP551	6" & 8" to 10"	\$49.97	VP502	8" Round	\$19.04	VP506	3-1/4" x 16"	\$19.04						

REPLACEMENT PARTS

PRICES DO NOT INCLUDE SHIPPING & HANDLING CHARGES.

MOTORS			M LINE COMPONENTS		
PART NO.	DESCRIPTION	PRICE	PART NO.	DESCRIPTION	PRICE
P1301-1	SINGLE SPEED WHITE MOTOR (CW)	\$83.70	P1440	M LINE BLOWER SWITCH	\$18.73
P1301-2	TWO SPEED WHITE MOTOR (CW)	\$83.70	P1445	M LINE BLOWER SWITCH KNOB	\$8.75
P1302-1	BLACK MOTOR (CCW)	\$83.70	P1450	M LINE LIGHT SWITCH	\$18.73
P1315	V-LINE MOTOR	\$123.67	P1455	M LINE LIGHT SWITCH KNOB	\$8.75
P1900	ADAPTER (AMP PLUG/TWO PRONG PLUG)	\$5.00	P1456	M600 WIRING HARNESS	\$56.22
			P1457	M1200 WIRING HARNESS	\$56.22
BLOWER WHEELS			LIGHT BULBS		
PART NO.	DESCRIPTION	PRICE	PART NO.	DESCRIPTION	PRICE
P1305	WHITE BLOWER WHEEL (CW)	\$22.49	P1110	GU10 HALOGEN BULB, 50 WATT	\$13.74
P1306	BLACK BLOWER WHEEL (CCW)	\$22.49	P1111	GU10 LED BULB	\$17.33
P1307	V-LINE BLOWER WHEEL	\$22.49	P1130	PAR20 HALOGEN BULB, 50 WATT	\$13.74
			P1350	INTEGRATED LED BULB	\$57.66
BLOWER HOUSINGS			LIGHT FIXTURE COMPONENTS		
PART NO.	DESCRIPTION	PRICE	PART NO.	DESCRIPTION	PRICE
<i>SPECIFY HOOD COLOR</i>			P1103	LEFT LAMPHOLDER	\$5.00
P1029	B100/T200 BLOWER HSG w/DAMPER	\$68.70	P1104	RIGHT LAMPHOLDER	\$5.00
P1029E	B100/T200 EZ CLEAN HSG w/DAMPER	\$68.70	P1105	FS-2 STARTER	\$2.50
P1028	B200/T400 BLOWER HSG w/DAMPERS	\$132.41	P1106	STARTER SOCKET	\$6.25
P1028E	B200/T400 EZ CLEAN HSG w/DAMPERS	\$132.41	P1123	PAR20 HALOGEN LAMP SOCKET	\$5.00
P1030	T200 REVERSE BLOWER HSG w/DAMPER	\$68.70	P1124	GU10 LAMP SOCKET	\$8.16
P1030E	T200 REVERSE EZ CLEAN HSG w/DAMPER	\$68.70	P1127	FLUORESCENT LIGHT DIFFUSER	\$12.50
P1021	V-LINE BLOWER COVER (PAN)	\$31.23			
BLOWER SHIELDS			REPLACEMENT FILTERS		
PART NO.	DESCRIPTION	PRICE	PART NO.	DESCRIPTION	PRICE
P1025	B100/T200 SHIELD, PAINTED	\$23.74	P1506	SS BAFFLE (16" x 20" x 1-1/2")	\$187.37
P1025E	B100 EZ CLEAN SHIELD, PAINTED	\$23.74	P1506A	SS BAFFLE (10" x 20" x 1-1/2")	\$218.60
P1025E-I	T200 EZ CLEAN SHIELD, PAINTED	\$23.74	P1529	M LINE BAFFLE FILTER - 15" x 12"	\$94.93
P1027	B100/T200 SHIELD, STAINLESS	\$23.74	P1530	M LINE BAFFLE FILTER - 12" x 12"	\$94.93
P1027E	B100 EZ CLEAN SHIELD, STAINLESS	\$23.74	P1531	M LINE FILTER FILLER PLATE - 6" x 12"	\$40.45
P1027E-I	T200 EZ CLEAN SHIELD, STAINLESS	\$23.74			
P1024	B200/T400 SHIELD, PAINTED	\$31.23	BACK DRAFT DAMPERS		
P1024E	B200 EZ CLEAN SHIELD, PAINTED	\$31.23	PART NO.	DESCRIPTION	PRICE
P1024E-I	T400 EZ CLEAN SHIELD, PAINTED	\$31.23	P1031	MAGIC LUNG NYLON POLYMER DAMPER	\$6.25
P1026	B200/T400 SHIELD, STAINLESS	\$31.23	P1040	B100/T200 METAL DAMPER	\$6.25
P1026E	B200 EZ CLEAN SHIELD, STAINLESS	\$31.23	P1041	B200 METAL DAMPER	\$6.25
P1026E-I	T400 EZ CLEAN SHIELD, STAINLESS	\$31.23	P1042	V-LINE DAMPER	\$8.75
P1610P	NICKEL SHIELD SCREW	\$5.00			
SWITCHES AND CONTROLS			REMOTE BLOWER COMPONENTS		
PART NO.	DESCRIPTION	PRICE	PART NO.	DESCRIPTION	PRICE
P1431	SWITCH FOR SINGLE SPEED BLACK MOTOR	\$5.00	P1425	REMOTE BLOWER SPEED CONTROL (HOOD)	\$72.45
P1432	SWITCH FOR FLUORESCENT LIGHT	\$5.00	P1510	RM1000 BLOWER WHEEL	\$43.72
P1433	SWITCH FOR TWO SPEED WHITE MOTOR	\$6.25	P1515	RM1000 MOTOR	\$256.07
P1434	SWITCH FOR HALOGEN LIGHTS	\$6.25	P1520	RM1500 BLOWER WHEEL	\$43.72
P1435	LED ROCKER SWITCH	\$6.25	P1525	RM1500 MOTOR	\$293.55
P1409	MOMENTARY SWITCH (TILT/TLH HOODS)	\$5.00			
P1418	DIMMER SWITCH (CAN LIGHTS)	\$37.49	OTHER MISCELLANEOUS ITEMS		
P1419	ROTARY SWITCH (HEAT LIGHTS)	\$12.50	PART NO.	DESCRIPTION	PRICE
P1422	KNOB FOR ROTARY SWITCH (SET SCREW)	\$5.00	P1039	FLAP STAY FOR TILT/TLH HOODS	\$34.98
P1425	REMOTE BLOWER SPEED CONTROL (HOOD)	\$72.45	AW101	T-HANDLE, 1/8" ALLEN WRENCH	\$12.50
P1460	ROTARY SWITCH - B100/LED LIGHTS	\$6.25	AW102	STANDARD, 1/8" ALLEN WRENCH	\$1.25
P1465	ROTARY SWITCH - B200/T200/T400(2)	\$6.25	P1424	SENSASOURCE THERMOSTAT ASSY	\$14.99
P1470-1	MAGIC LUNG ROTARY BLOWER KNOB	\$8.75	SS KIT	STAINLESS STEEL SCRATCH REPAIR KIT	\$10.00
P1475-1	MAGIC LUNG ROTARY LIGHT KNOB	\$8.75	SS64	STAINLESS STEEL MAGIC (CAN)	\$14.99
P1350-1	DIMMER PACK FOR INTEGRATED LED BULB	\$12.21	CP101	RED BEAR® COPPER POLISH	\$14.99
			P1316	3-1/4" x 10" COLLAR FOR V-LINE	\$12.50
			P1317	BACK PLATE FOR V-LINE	\$6.25

VentA Hood[®]



**Distinctive
Appliances**

Distributing_{INC.}

DISTINCTIVE APPLIANCES DISTRIBUTING
51155 Grand River Avenue
Wixom MI 48393

TOLL-FREE: 844-380-2007

www.distinctiveappliances.net

This Interactive PDF ©Distinctive Appliances Distributing 2021

THE INFORMATION IN THIS DOCUMENT IS SUBJECT TO CHANGE AT ANY TIME WITHOUT NOTICE.