

# 2021

## UMRP-MSRP PRICE BOOK



PRICES EFFECTIVE  
March 1, 2021



Classic Series Refrigeration . . . . . 2

PRO Series Refrigeration . . . . . 42

Designer Series Refrigeration . . . . . 47

Designer Series Undercounter Refrigeration . . . . . 70

Wine Storage . . . . . 76

Accessory Handles . . . . . 85

Sub-Zero Warranties . . . . . 88

Model numbers, specifications, and prices are subject to change at any time without notice. Visit [subzero.com/specs](http://subzero.com/specs), for the most up-to-date information.

**IMPORTANT NOTE:** Throughout this price list, dimensions in parentheses are in millimeters unless otherwise specified.

**NOTE ALSO:** Use of Manufacturer’s Suggested Retail Price (“MSRP”) is subject to the requirements of Section 1.6 of the Sub-Zero Distributor Agreement, as amended.



Indicates Wi-Fi enabled.



Indicates Star-K certified.

*The information and images in this guide are the copyright property of Sub-Zero, Inc. Neither this guide nor any information or images contained herein may be copied or used in whole or in part without the express written permission of Sub-Zero, Inc. ©Sub-Zero, Inc. all rights reserved.*

*Sub-Zero, Sub-Zero & Design, Sub-Zero & Snowflake Design, Dual Refrigeration, The Living Kitchen, Great American Kitchens The Fine Art of Kitchen Design, Wolf, Wolf & Design, Wolf Gourmet, W & Design, red colored knobs, Cove, and Cove & Design, are registered trademarks and service marks of Sub-Zero Group, Inc. and its subsidiaries.*

*All other trademarks are property of their respective owners in the United States and other countries.*

## Classic Series Refrigeration

In the 1950s, Sub-Zero pioneered the concept of built-in refrigeration. Today, our Classic Series represents the iconic look that comes to mind when one hears “Sub-Zero” with a visible grille and powerful hinges that stand the test of time.

- Dual refrigeration preserves food’s freshness in two sealed compartments.
- Advanced water filtration and air purification systems.
- Crisper and deli drawers form a lower-temperature zone for produce and meats.
- Available in a stainless steel or custom panel look that can be installed flush inset or proud of surrounding cabinetry.
- Handle options coordinate with Wolf cooking and Cove dishwashing products.
- Energy efficient; many models are ENERGY STAR® qualified.
- Flip-up grille provides easy access for routine maintenance.
- One 90° door stop included.
- All models are Star-K certified.

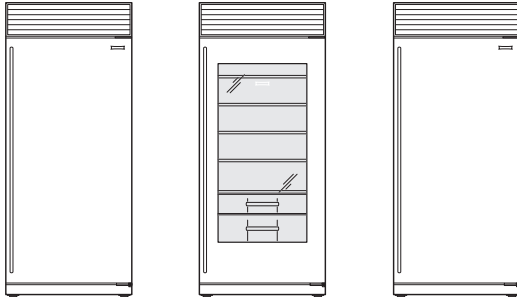
### MODEL NUMBER KEY

Classic Series Refrigeration	BI
All Refrigerator	R
All Freezer	F
Over-and-Under	U
Side-by-Side	S
Glass Door	G
High Altitude Glass Door	A
French Door	FD
Ice and Water Dispenser	D
Internal Dispenser	ID
Overlay Model	/O
Stainless Steel Model	/S
Tubular Handle	/TH
Pro Handle	/PH
Right-Hinge	-RH
Left-Hinge	-LH



# Classic Series Refrigeration

## All Refrigerator / All Freezer Models



BI-36R

BI-36RG

BI-36F

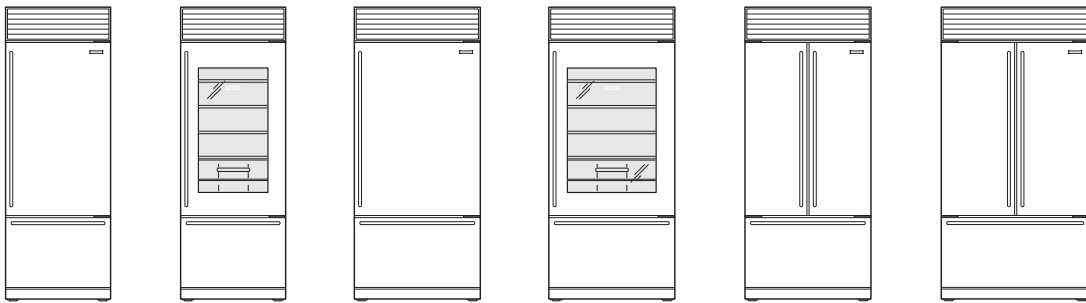
Models shown in the stainless steel design with tubular handles.  
Specify right-hinge (-RH) or left-hinge (-LH) door when ordering.

Overall dimensions are based on stainless steel models.

Annual energy usage is based on 12 cents per kilowatt hour.

A high altitude glass door is available for installations above 5,000' (1524 m) in elevation. When ordering, replace (G) with (A) for the correct model number.

## Over-and-Under Models



BI-30U

BI-30UG

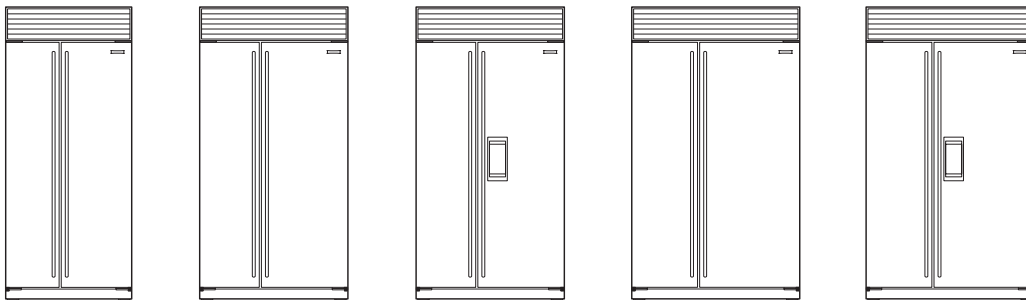
BI-36U(ID)

BI-36UG

BI-36UFD(ID)

BI-42UFD(ID)

## Side-by-Side Models



BI-36S

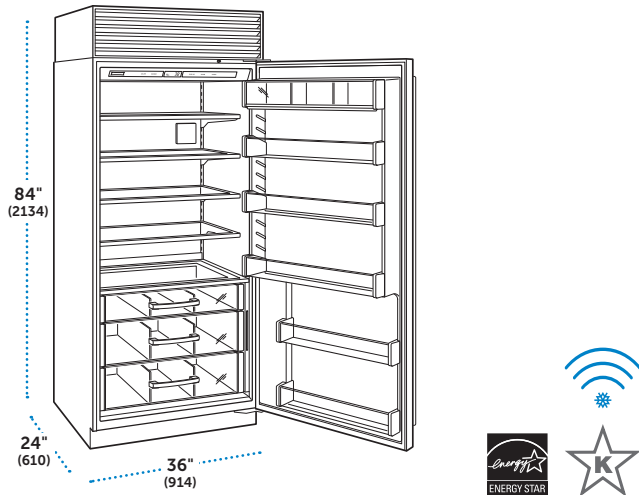
BI-42S(ID)

BI-42SD

BI-48S(ID)

BI-48SD

# Classic Series Refrigeration



## 36" All Refrigerator

MODEL	MSRP	UMRP
BI-36R/O*	\$7,050	\$6,745
BI-36R/S/TH	\$8,415	\$8,058
BI-36R/S/PH	\$8,415	\$8,058

\*Flush inset and framed design options are achieved by specifying an overlay model. Overlay models include a grille frame that accepts a classic louvered, solid stainless, pro louvered or custom panel insert.

### SPECIFICATIONS

Overall Dimensions	36"W (914) x 84"H (2134) x 24"D (610)
Refrigerator Capacity	23.5 cu ft (665 L)
Shipping Weight	420 lbs (191 kg)
Annual Energy Usage	\$45 (375 kWh)

### FEATURES

- 4 adjustable glass shelves
- High-humidity drawer with dividers
- 2 storage drawers with dividers
- 3 adjustable and 2 stationary door shelves
- Adjustable dairy compartment
- Air purification system

## Accessories

### Grilles

FINISHED HEIGHT	NUMBER	MSRP
<b>Framed</b>		
83" (2108) Classic Louvered	7003519	\$380
88" (2235) Classic Louvered	7003523	\$480
<b>Overlay or Flush Inset</b>		
83" (2108) Grille Frame	7003531	\$285
84" (2134) Grille Frame	7007136	\$255
88" (2235) Grille Frame	7003535	\$255
<b>Stainless Steel</b>		
83" (2108) Pro Louvered	7003543	\$410
84" (2134) Pro Louvered	7007132	\$470
88" (2235) Pro Louvered	7003547	\$520

### Framed Application

DESCRIPTION	NUMBER	MSRP
Classic Louvered Insert*	7014850	\$175
<b>Handle (1)</b>		
Full-Length Standard	7014887	\$125
Full-Length Extended	7003462	\$125
<b>Door Panel</b>		
Stainless Steel	7003455	\$540
White Enamel	7004439	\$485

\*Slides into overlay grille, 84" (2134) finished height.

## Accessories

### Single Flush Inset – Stainless Steel

DESCRIPTION	NUMBER	MSRP
<b>Grille*</b>		
Solid SS Panel	7008869	\$255
Pro Louvered	7020158	\$355
<b>Tubular Handle</b>		
Door Panel	7030216	\$1,045
<b>Pro Handle</b>		
Door Panel	7008884	\$1,045

\*84" (2134) finished height.

### Dual Flush Inset – Stainless Steel

DESCRIPTION	NUMBER	MSRP
<b>Dual Wide Grille*</b>		
66" (1676) Solid SS Panel	7013367	\$480
72" (1829) Solid SS Panel	7008881	\$510
<b>Tubular Handle</b>		
Door Panel	7030215	\$1,045
<b>Pro Handle</b>		
Door Panel	7008853	\$1,045

\*84" (2134) finished height. Solid SS panel requires dual installation kit 7012623 or 7004811.

### Dual Installation Kit with Dual Wide Grille

DESCRIPTION	NUMBER	MSRP
<b>Framed</b>		
72" (1829) Classic Louvered	7004809	\$1,185
<b>Overlay or Flush Inset</b>		
66" (1676) Grille Frame	7012623	\$945
72" (1829) Grille Frame	7004811	\$985
<b>Stainless Steel Flush Inset</b>		
66" (1676) Pro Louvered	7020162	\$1,105
72" (1829) Pro Louvered	7020163	\$1,150
<b>Stainless Steel</b>		
66" (1676) Pro Louvered	7012624	\$1,245
72" (1829) Pro Louvered	7004813	\$1,275

For handle-to-handle installations only. Kit includes dual wide kickplate and dual wide grille for 84" (2134) finished height, center trim strip, heater and mounting hardware.

### Dual Installation Kit

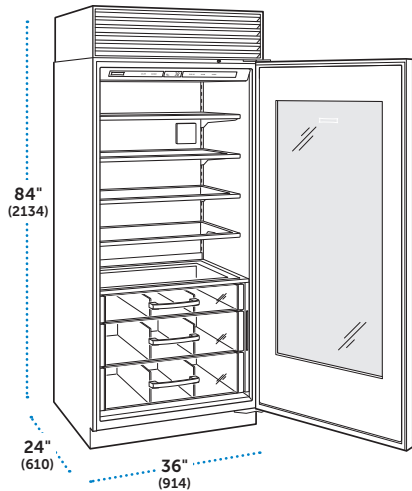
DESCRIPTION	NUMBER	MSRP
<b>All Designs</b>		
Dual Installation Kit	7003411	\$380

For handle-to-handle installations only. Kit includes center trim strip, heater and mounting hardware.

### Miscellaneous

DESCRIPTION	NUMBER	MSRP
<b>Replacement Cartridge</b>		
Air Purification	7007067	\$55
<b>Mounting Kits</b>		
Custom Front Panel	7020607	\$235
Custom Side Panel	7003407	\$115
<b>Side Panels</b>		
Stainless Steel (1)	7003408	\$785
White Enamel (1)	7003409	\$540
<b>Kickplates</b>		
Stainless Steel RH	7010371	\$45
Stainless Steel LH	7010372	\$45
Egg Container	7007506	\$30
90° Door Stop	7005865	N/C

# Classic Series Refrigeration



## Accessories

### Grilles

FINISHED HEIGHT	NUMBER	MSRP
<b>Framed</b>		
83" (2108) Classic Louvered	7003519	\$380
88" (2235) Classic Louvered	7003523	\$480
<b>Overlay or Flush Inset</b>		
83" (2108) Grille Frame	7003531	\$285
84" (2134) Grille Frame	7007136	\$255
88" (2235) Grille Frame	7003535	\$255
<b>Stainless Steel</b>		
83" (2108) Pro Louvered	7003543	\$410
84" (2134) Pro Louvered	7007132	\$470
88" (2235) Pro Louvered	7003547	\$520

## 36" All Refrigerator with Glass Door

MODEL	MSRP	UMRP
BI-36RG/O*	\$8,050	\$7,707
BI-36RG/S/TH	\$9,220	\$8,822
BI-36RG/S/PH	\$9,220	\$8,822

\*Flush inset and framed design options are achieved by specifying an overlay model. Overlay models include a grille frame that accepts a classic louvered, solid stainless, pro louvered or custom panel insert.

### SPECIFICATIONS

Overall Dimensions	36"W (914) x 84"H (2134) x 24"D (610)
Refrigerator Capacity	23.4 cu ft (663 L)
Shipping Weight	430 lbs (195 kg)
Annual Energy Usage	\$50 (415 kWh)

### FEATURES

- 4 adjustable glass shelves
- High-humidity drawer with dividers
- 2 storage drawers with dividers
- Triple-pane, UV-resistant glass door
- High altitude glass available
- Air purification system

### Framed Application

DESCRIPTION	NUMBER	MSRP
Classic Louvered Insert*	7014850	\$175
<b>Handle (1)</b>		
Full-Length Standard	7014887	\$125
Full-Length Extended	7003462	\$125

\*Slides into overlay grille, 84" (2134) finished height.

## Accessories

### Single Flush Inset – Stainless Steel

DESCRIPTION	NUMBER	MSRP
<b>Grille*</b>		
Solid SS Panel	7008869	\$255
Pro Louvered	7020158	\$355
<b>Tubular Handle</b>		
Door Panel RH	7030217	\$1,045
Door Panel LH	7030226	\$1,045
<b>Pro Handle</b>		
Door Panel RH	7008887	\$1,045
Door Panel LH	7008964	\$1,045

\*84" (2134) finished height.

### Dual Flush Inset – Stainless Steel

DESCRIPTION	NUMBER	MSRP
<b>Dual Wide Grille*</b>		
66" (1676) Solid SS Panel	7013367	\$480
72" (1829) Solid SS Panel	7008881	\$510
<b>Tubular Handle</b>		
Door Panel RH	7030227	\$1,045
Door Panel LH	7030228	\$1,045
<b>Pro Handle</b>		
Door Panel RH	7012229	\$1,045
Door Panel LH	7012230	\$1,045

\*84" (2134) finished height. Solid SS panel requires dual installation kit 7012623 or 7004811.

### Dual Installation Kit with Dual Wide Grille

DESCRIPTION	NUMBER	MSRP
<b>Framed</b>		
72" (1829) Classic Louvered	7004809	\$1,185
<b>Overlay or Flush Inset</b>		
66" (1676) Grille Frame	7012623	\$945
72" (1829) Grille Frame	7004811	\$985
<b>Stainless Steel Flush Inset</b>		
66" (1676) Pro Louvered	7020162	\$1,105
72" (1829) Pro Louvered	7020163	\$1,150
<b>Stainless Steel</b>		
66" (1676) Pro Louvered	7012624	\$1,245
72" (1829) Pro Louvered	7004813	\$1,275

For handle-to-handle installations only. Kit includes dual wide kickplate and dual wide grille for 84" (2134) finished height, center trim strip, heater and mounting hardware.

### Dual Installation Kit

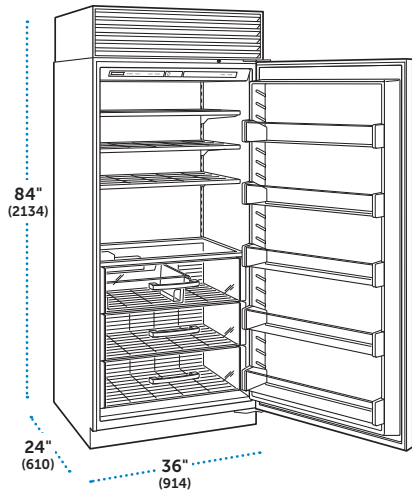
DESCRIPTION	NUMBER	MSRP
<b>All Designs</b>		
Dual Installation Kit	7003411	\$380

For handle-to-handle installations only. Kit includes center trim strip, heater and mounting hardware.

### Miscellaneous

DESCRIPTION	NUMBER	MSRP
<b>Replacement Cartridge</b>		
Air Purification	7007067	\$55
<b>Mounting Kits</b>		
Custom Side Panel	7003407	\$115
<b>Side Panels</b>		
Stainless Steel (1)	7003408	\$785
White Enamel (1)	7003409	\$540
<b>Kickplates</b>		
Stainless Steel RH	7010371	\$45
Stainless Steel LH	7010372	\$45
Egg Container	7007506	\$30
90° Door Stop	7005865	N/C

# Classic Series Refrigeration



## 36" All Freezer

MODEL	MSRP	UMRP
BI-36F/O*	\$7,435	\$7,113
BI-36F/S/TH	\$8,800	\$8,426
BI-36F/S/PH	\$8,800	\$8,426

\*Flush inset and framed design options are achieved by specifying an overlay model. Overlay models include a grille frame that accepts a classic louvered, solid stainless, pro louvered or custom panel insert.

### SPECIFICATIONS

Overall Dimensions	36"W (914) x 84"H (2134) x 24"D (610)
Freezer Capacity	22.7 cu ft (643 L)
Shipping Weight	406 lbs (184 kg)
Annual Energy Usage	\$89 (738 kWh)

### FEATURES

- 3 adjustable wire shelves
- 3 storage drawers
- 5 adjustable door shelves
- Automatic ice maker
- Water filtration system

## Accessories

### Grilles

FINISHED HEIGHT	NUMBER	MSRP
<b>Framed</b>		
83" (2108) Classic Louvered	7003519	\$380
88" (2235) Classic Louvered	7003523	\$480
<b>Overlay or Flush Inset</b>		
83" (2108) Grille Frame	7003531	\$285
84" (2134) Grille Frame	7007136	\$255
88" (2235) Grille Frame	7003535	\$255
<b>Stainless Steel</b>		
83" (2108) Pro Louvered	7003543	\$410
84" (2134) Pro Louvered	7007132	\$470
88" (2235) Pro Louvered	7003547	\$520

### Framed Application

DESCRIPTION	NUMBER	MSRP
Classic Louvered Insert*	7014850	\$175
<b>Handle (1)</b>		
Full-Length Standard	7014887	\$125
Full-Length Extended	7003462	\$125
<b>Door Panel</b>		
Stainless Steel	7003455	\$540
White Enamel	7004439	\$485

\*Slides into overlay grille, 84" (2134) finished height.

# Classic Series Refrigeration

## Accessories

### Single Flush Inset – Stainless Steel

DESCRIPTION	NUMBER	MSRP
<b>Grille*</b>		
Solid SS Panel	7008869	\$255
Pro Louvered	7020158	\$355
<b>Tubular Handle</b>		
Door Panel	7030216	\$1,045
<b>Pro Handle</b>		
Door Panel	7008884	\$1,045

\*84" (2134) finished height.

### Dual Flush Inset – Stainless Steel

DESCRIPTION	NUMBER	MSRP
<b>Dual Wide Grille*</b>		
66" (1676) Solid SS Panel	7013367	\$480
72" (1829) Solid SS Panel	7008881	\$510
<b>Tubular Handle</b>		
Door Panel	7030215	\$1,045
<b>Pro Handle</b>		
Door Panel	7008853	\$1,045

\*84" (2134) finished height. Solid SS panel requires dual installation kit 7012623 or 7004811.

### Dual Installation Kit with Dual Wide Grille

DESCRIPTION	NUMBER	MSRP
<b>Framed</b>		
72" (1829) Classic Louvered	7004809	\$1,185
<b>Overlay or Flush Inset</b>		
66" (1676) Grille Frame	7012623	\$945
72" (1829) Grille Frame	7004811	\$985
<b>Stainless Steel Flush Inset</b>		
66" (1676) Pro Louvered	7020162	\$1,105
72" (1829) Pro Louvered	7020163	\$1,150
<b>Stainless Steel</b>		
66" (1676) Pro Louvered	7012624	\$1,245
72" (1829) Pro Louvered	7004813	\$1,275

For handle-to-handle installations only. Kit includes dual wide kickplate and dual wide grille for 84" (2134) finished height, center trim strip, heater and mounting hardware.

### Dual Installation Kit

DESCRIPTION	NUMBER	MSRP
<b>All Designs</b>		
Dual Installation Kit	7003411	\$380

For handle-to-handle installations only. Kit includes center trim strip, heater and mounting hardware.

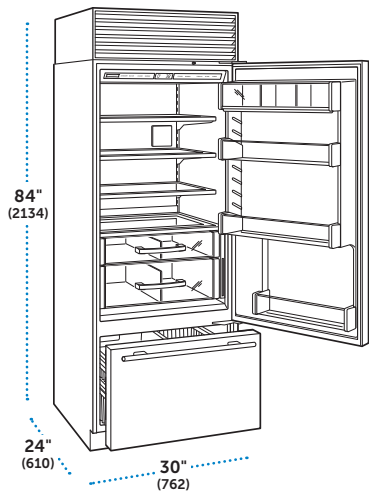
### Water Filters

DESCRIPTION	NUMBER	MSRP
<b>Replacement Filter</b>		
Water Filter	4204490	\$55

### Miscellaneous

DESCRIPTION	NUMBER	MSRP
<b>Mounting Kits</b>		
Custom Front Panel	7020607	\$235
Custom Side Panel	7003407	\$115
<b>Side Panels</b>		
Stainless Steel (1)	7003408	\$785
White Enamel (1)	7003409	\$540
<b>Kickplates</b>		
Stainless Steel RH	7010371	\$45
Stainless Steel LH	7010372	\$45
90° Door Stop	7005865	N/C

# Classic Series Refrigeration



## 30" Over-and-Under

MODEL	MSRP	UMRP
BI-30U/O*†	\$9,060	\$8,669
BI-30U/S/TH	\$10,625	\$10,171
BI-30U/S/PH	\$10,625	\$10,171

\*Flush inset and framed design options are achieved by specifying an overlay model. Overlay models include a grille frame that accepts a classic louvered, solid stainless, pro louvered or custom panel insert.

†This model is not ENERGY STAR® certified.

### SPECIFICATIONS

Overall Dimensions	30"W (762) x 84"H (2134) x 24"D (610)	
Refrigerator Capacity	13.2 cu ft (374 L)	
Freezer Capacity	4.2 cu ft (119 L)	
Shipping Weight	462 lbs (210 kg)	
Annual Energy Usage	BI-30U/O \$74 (613 kWh) BI-30U/S \$68 (560 kWh)	

### FEATURES

#### Refrigerator

- 3 adjustable glass shelves
- High-humidity drawer with divider
- Storage drawer with divider
- 2 adjustable and 1 stationary door shelves
- Adjustable dairy compartment
- Air purification system

#### Freezer

- Automatic ice maker
- Full-extension drawer with 2-tier wire baskets
- Water filtration system

## Accessories

### Grilles

FINISHED HEIGHT	NUMBER	MSRP
<b>Framed</b>		
83" (2108) Classic Louvered	7003518	\$355
88" (2235) Classic Louvered	7003522	\$460
<b>Overlay or Flush Inset</b>		
83" (2108) Grille Frame	7003530	\$275
84" (2134) Grille Frame	7007135	\$245
88" (2235) Grille Frame	7003534	\$245
<b>Stainless Steel</b>		
83" (2108) Pro Louvered	7003542	\$395
84" (2134) Pro Louvered	7007131	\$440
88" (2235) Pro Louvered	7003546	\$500

### Framed Application

DESCRIPTION	NUMBER	MSRP
Classic Louvered Insert*	7014849	\$155
<b>Handles (2)</b>		
Full-Length Standard	7014888	\$175
Full-Length Extended	7003463	\$205
<b>2-Panel Set</b>		
Stainless Steel	7003456	\$560
White Enamel	7004440	\$440

\*Slides into overlay grille, 84" (2134) finished height.

### Retrofit Panel Kit

DESCRIPTION	NUMBER	MSRP
Framed	7005230	\$335
Overlay or Flush Inset	7003403	\$335

Retrofit existing 600 Series panels onto a new Classic Series model. Grille panel must be reduced in height by 1" (25).

### Single Flush Inset Panels – Stainless Steel

DESCRIPTION	NUMBER	MSRP
<b>Grille*</b>		
Solid SS Panel	7008870	\$215
Pro Louvered	7020157	\$335
<b>Tubular Handle</b>		
Door Panel	7030231	\$765
Drawer Panel	7030245	\$400
<b>Pro Handle</b>		
Door Panel	7008890	\$765
Drawer Panel	7008893	\$400

\*84" (2134) finished height.

# Classic Series Refrigeration

## Accessories

### Dual Flush Inset Panels – Stainless Steel

DESCRIPTION	NUMBER	MSRP
<b>Dual Wide Grille*</b>		
60" (1524) Solid SS Panel	7008882	\$450
66" (1676) Solid SS Panel	7013367	\$480
<b>Tubular Handle</b>		
Door Panel	7030229	\$765
Drawer Panel RH	7030243	\$400
Drawer Panel LH	7030244	\$400
<b>Pro Handle</b>		
Door Panel	7008834	\$765
Drawer Panel RH	7008837	\$400
Drawer Panel LH	7008840	\$400

\*84" (2134) finished height. Solid SS panel requires dual installation kit 7004810 or 7012623.

### Dual Installation Kit with Dual Wide Grille

DESCRIPTION	NUMBER	MSRP
<b>Framed</b>		
60" (1524) Classic Louvered	7004808	\$1,140
<b>Overlay or Flush Inset</b>		
60" (1524) Grille Frame	7004810	\$920
66" (1676) Grille Frame	7012623	\$945
<b>Stainless Steel Flush Inset</b>		
60" (1524) Pro Louvered	7020161	\$1,080
66" (1676) Pro Louvered	7020162	\$1,105
<b>Stainless Steel</b>		
60" (1524) Pro Louvered	7004812	\$1,220
66" (1676) Pro Louvered	7012624	\$1,245

For handle-to-handle installations only. Kit includes dual wide kickplate and dual wide grille for 84" (2134) finished height, center trim strip, heater and mounting hardware.

### Dual Installation Kit

DESCRIPTION	NUMBER	MSRP
<b>All Designs</b>		
Dual Installation Kit	7003411	\$380

For handle-to-handle installations only. Kit includes center trim strip, heater and mounting hardware.

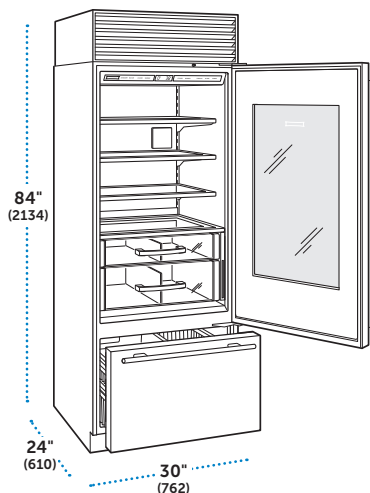
### Filters and Cartridges

DESCRIPTION	NUMBER	MSRP
<b>Replacement Filter</b>		
Water Filter	4204490	\$55
<b>Replacement Cartridge</b>		
Air Purification	7007067	\$55

### Miscellaneous

DESCRIPTION	NUMBER	MSRP
<b>Mounting Kits</b>		
Custom Front Panels	7020607	\$235
Custom Side Panel	7003407	\$115
<b>Side Panels</b>		
Stainless Steel (1)	7003408	\$785
White Enamel (1)	7003409	\$540
Stainless Steel Kickplate	7010396	\$45
Egg Container	7007506	\$30
90° Door Stop	7005865	N/C

# Classic Series Refrigeration



## 30" Over-and-Under with Glass Door

MODEL	MSRP	UMRP
BI-30UG/O*	\$10,135	\$9,703
BI-30UG/S/TH	\$11,430	\$10,935
BI-30UG/S/PH	\$11,430	\$10,935

\*Flush inset and framed design options are achieved by specifying an overlay model. Overlay models include a grille frame that accepts a classic louvered, solid stainless, pro louvered or custom panel insert.

### SPECIFICATIONS

Overall Dimensions	30"W (762) x 84"H (2134) x 24"D (610)
Refrigerator Capacity	13.1 cu ft (371 L)
Freezer Capacity	4.2 cu ft (119 L)
Shipping Weight	476 lbs (216 kg)
Annual Energy Usage	\$74 (612 kWh)

### FEATURES

#### Refrigerator

- 3 adjustable glass shelves
- High-humidity drawer with divider
- Storage drawer with divider
- Triple-pane, UV-resistant glass door
- High altitude glass available
- Air purification system

#### Freezer

- Automatic ice maker
- Full-extension drawer with 2-tier wire baskets
- Water filtration system

## Accessories

### Grilles

FINISHED HEIGHT	NUMBER	MSRP
<b>Framed</b>		
83" (2108) Classic Louvered	7003518	\$355
88" (2235) Classic Louvered	7003522	\$460
<b>Overlay or Flush Inset</b>		
83" (2108) Grille Frame	7003530	\$275
84" (2134) Grille Frame	7007135	\$245
88" (2235) Grille Frame	7003534	\$245
<b>Stainless Steel</b>		
83" (2108) Pro Louvered	7003542	\$395
84" (2134) Pro Louvered	7007131	\$440
88" (2235) Pro Louvered	7003546	\$500

### Framed Application

DESCRIPTION	NUMBER	MSRP
Classic Louvered Insert*	7014849	\$155
<b>Handle (2)</b>		
Full-Length Standard	7014888	\$175
Full-Length Extended	7003463	\$205

\*Slides into overlay grille, 84" (2134) finished height.

### Single Flush Inset Panels – Stainless Steel

DESCRIPTION	NUMBER	MSRP
<b>Grille*</b>		
Solid SS Panel	7008870	\$215
Pro Louvered	7020157	\$335
<b>Tubular Handle</b>		
Door Panel	7030232	\$765
Drawer Panel	7030245	\$400
<b>Pro Handle</b>		
Door Panel	7008896	\$765
Drawer Panel	7008893	\$400

\*84" (2134) finished height.

# Classic Series Refrigeration

## Accessories

### Dual Flush Inset Panels – Stainless Steel

DESCRIPTION	NUMBER	MSRP
<b>Dual Wide Grille*</b>		
60" (1524) Solid SS Panel	7008882	\$450
66" (1676) Solid SS Panel	7013367	\$480
<b>Tubular Handle</b>		
Door Panel	7030235	\$765
Drawer Panel RH	7030243	\$400
Drawer Panel LH	7030244	\$400
<b>Pro Handle</b>		
Door Panel	7012231	\$765
Drawer Panel RH	7008837	\$400
Drawer Panel LH	7008840	\$400

\*84" (2134) finished height. Solid SS panel requires dual installation kit 7004810 or 7012623.

### Dual Installation Kit with Dual Wide Grille

DESCRIPTION	NUMBER	MSRP
<b>Framed</b>		
60" (1524) Classic Louvered	7004808	\$1,140
<b>Overlay or Flush Inset</b>		
60" (1524) Grille Frame	7004810	\$920
66" (1676) Grille Frame	7012623	\$945
<b>Stainless Steel Flush Inset</b>		
60" (1524) Pro Louvered	7020161	\$1,080
66" (1676) Pro Louvered	7020162	\$1,105
<b>Stainless Steel</b>		
60" (1524) Pro Louvered	7004812	\$1,220
66" (1676) Pro Louvered	7012624	\$1,245

For handle-to-handle installations only. Kit includes dual wide kickplate and dual wide grille for 84" (2134) finished height, center trim strip, heater and mounting hardware.

### Dual Installation Kit

DESCRIPTION	NUMBER	MSRP
<b>All Designs</b>		
Dual Installation Kit	7003411	\$380

For handle-to-handle installations only. Kit includes center trim strip, heater and mounting hardware.

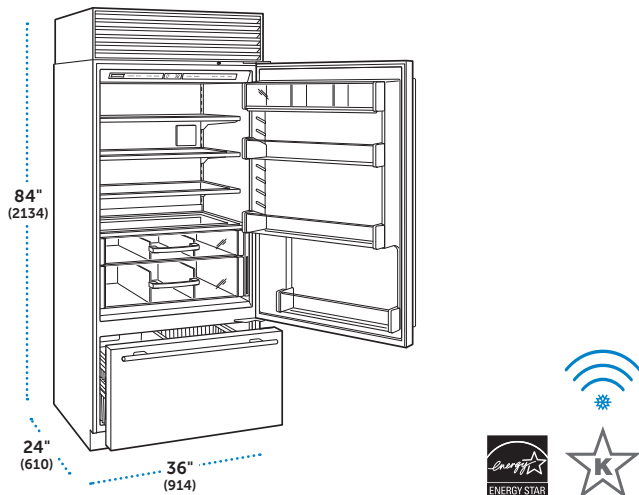
### Filters and Cartridges

DESCRIPTION	NUMBER	MSRP
<b>Replacement Filter</b>		
Water Filter	4204490	\$55
<b>Replacement Cartridge</b>		
Air Purification	7007067	\$55

### Miscellaneous

DESCRIPTION	NUMBER	MSRP
<b>Mounting Kits</b>		
Custom Side Panel	7003407	\$115
<b>Side Panels</b>		
Stainless Steel (1)	7003408	\$785
White Enamel (1)	7003409	\$540
Stainless Steel Kickplate	7010396	\$45
Egg Container	7007506	\$30
90° Door Stop	7005865	N/C

# Classic Series Refrigeration



## 36" Over-and-Under

MODEL	MSRP	UMRP
BI-36U/O*†	\$9,440	\$9,038
BI-36U/S/TH	\$11,110	\$10,629
BI-36U/S/PH	\$11,110	\$10,629

\*Flush inset and framed design options are achieved by specifying an overlay model. Overlay models include a grille frame that accepts a classic louvered, solid stainless, pro louvered or custom panel insert.

†This model is not ENERGY STAR® certified.

### SPECIFICATIONS

Overall Dimensions	36"W (914) x 84"H (2134) x 24"D (610)
Refrigerator Capacity	16.4 cu ft (464 L)
Freezer Capacity	5.3 cu ft (150 L)
Shipping Weight	515 lbs (234 kg)
Annual Energy Usage	\$73 (602 kWh)

### FEATURES

#### Refrigerator

- 3 adjustable glass shelves
- High-humidity drawer with dividers
- Storage drawer with dividers
- 2 adjustable and 1 stationary door shelves
- Adjustable dairy compartment
- Air purification system

#### Freezer

- Automatic ice maker
- Full-extension drawer with 2-tier wire baskets
- Water filtration system

## Accessories

### Grilles

FINISHED HEIGHT	NUMBER	MSRP
<b>Framed</b>		
83" (2108) Classic Louvered	7003519	\$380
88" (2235) Classic Louvered	7003523	\$480
<b>Overlay or Flush Inset</b>		
83" (2108) Grille Frame	7003531	\$285
84" (2134) Grille Frame	7007136	\$255
88" (2235) Grille Frame	7003535	\$255
<b>Stainless Steel</b>		
83" (2108) Pro Louvered	7003543	\$410
84" (2134) Pro Louvered	7007132	\$470
88" (2235) Pro Louvered	7003547	\$520

### Framed Application

DESCRIPTION	NUMBER	MSRP
Classic Louvered Insert*	7014850	\$175
<b>Handle (2)</b>		
Full-Length Standard	7014889	\$175
Full-Length Extended	7003464	\$205
<b>2-Panel Set</b>		
Stainless Steel	7003457	\$570
White Enamel	7004441	\$500

\*Slides into overlay grille, 84" (2134) finished height.

### Retrofit Panel Kit

DESCRIPTION	NUMBER	MSRP
Framed	7005229	\$345
Overlay or Flush Inset	7003402	\$345

Retrofit existing 600 Series panels onto a new Classic Series model. Grille panel must be reduced in height by 1" (25).

### Single Flush Inset Panels – Stainless Steel

DESCRIPTION	NUMBER	MSRP
<b>Grille*</b>		
Solid SS Panel	7008869	\$255
Pro Louvered	7020158	\$355
<b>Tubular Handle</b>		
Door Panel	7030233	\$795
Drawer Panel	7029743	\$430
<b>Pro Handle</b>		
Door Panel	7008899	\$795
Drawer Panel	7008902	\$430

\*84" (2134) finished height.

# Classic Series Refrigeration

## Accessories

### Dual Flush Inset Panels – Stainless Steel

DESCRIPTION	NUMBER	MSRP
<b>Dual Wide Grille*</b>		
66" (1676) Solid SS Panel	7013367	\$480
72" (1829) Solid SS Panel	7008881	\$510
<b>Tubular Handle</b>		
Door Panel	7030230	\$795
Drawer Panel RH	7030240	\$430
Drawer Panel LH	7030241	\$430
<b>Pro Handle</b>		
Door Panel	7008843	\$795
Drawer Panel RH	7008846	\$430
Drawer Panel LH	7008849	\$430

\*84" (2134) finished height. Solid SS panel requires dual installation kit 7012623 or 7004811.

### Dual Installation Kit with Dual Wide Grille

DESCRIPTION	NUMBER	MSRP
<b>Framed</b>		
72" (1829) Classic Louvered	7004809	\$1,185
<b>Overlay or Flush Inset</b>		
66" (1676) Grille Frame	7012623	\$945
72" (1829) Grille Frame	7004811	\$985
<b>Stainless Steel Flush Inset</b>		
66" (1676) Pro Louvered	7020162	\$1,105
72" (1829) Pro Louvered	7020163	\$1,150
<b>Stainless Steel</b>		
66" (1676) Pro Louvered	7012624	\$1,245
72" (1829) Pro Louvered	7004813	\$1,275

For handle-to-handle installations only. Kit includes dual wide kickplate and dual wide grille for 84" (2134) finished height, center trim strip, heater and mounting hardware.

### Dual Installation Kit

DESCRIPTION	NUMBER	MSRP
<b>All Designs</b>		
Dual Installation Kit	7003411	\$380

For handle-to-handle installations only. Kit includes center trim strip, heater and mounting hardware.

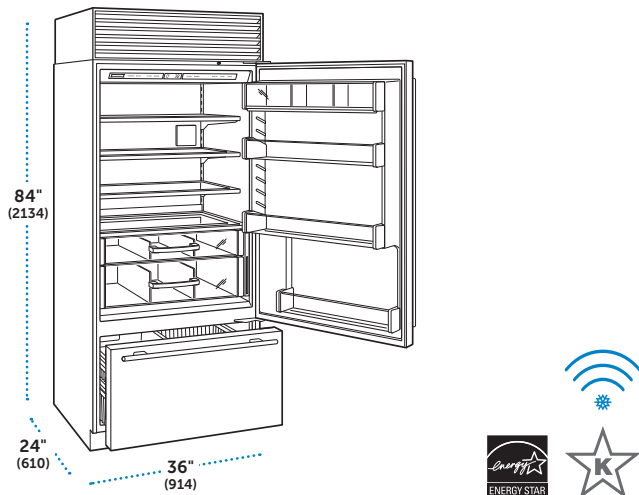
### Filters and Cartridges

DESCRIPTION	NUMBER	MSRP
<b>Replacement Filter</b>		
Water Filter	4204490	\$55
<b>Replacement Cartridge</b>		
Air Purification	7007067	\$55

### Miscellaneous

DESCRIPTION	NUMBER	MSRP
<b>Mounting Kits</b>		
Custom Front Panels	7020607	\$235
Custom Side Panel	7003407	\$115
<b>Side Panels</b>		
Stainless Steel (1)	7003408	\$785
White Enamel (1)	7003409	\$540
Stainless Steel Kickplate	7010397	\$45
Egg Container	7007506	\$30
90° Door Stop	7005865	N/C

# Classic Series Refrigeration



## 36" Over-and-Under with Internal Dispenser

MODEL	MSRP	UMRP
BI-36UID/O**	\$9,815	\$9,397
BI-36UID/S/TH	\$11,485	\$10,989
BI-36UID/S/PH	\$11,485	\$10,989

\*Flush inset and framed design options are achieved by specifying an overlay model. Overlay models include a grille frame that accepts a classic louvered, solid stainless, pro louvered or custom panel insert.

†This model is not ENERGY STAR® certified.

### SPECIFICATIONS

Overall Dimensions	36"W (914) x 84"H (2134) x 24"D (610)
Refrigerator Capacity	16.4 cu ft (464 L)
Freezer Capacity	5.3 cu ft (150 L)
Shipping Weight	515 lbs (234 kg)
Annual Energy Usage	\$73 (602 kWh)

### FEATURES

#### Refrigerator

- Internal water dispenser
- 3 adjustable glass shelves
- High-humidity drawer with dividers
- Storage drawer with dividers
- 2 adjustable and 1 stationary door shelves
- Adjustable dairy compartment
- Air purification system

#### Freezer

- Automatic ice maker
- Full-extension drawer with 2-tier wire baskets
- Water filtration system

## Accessories

### Grilles

FINISHED HEIGHT	NUMBER	MSRP
<b>Framed</b>		
83" (2108) Classic Louvered	7003519	\$380
88" (2235) Classic Louvered	7003523	\$480
<b>Overlay or Flush Inset</b>		
83" (2108) Grille Frame	7003531	\$285
84" (2134) Grille Frame	7007136	\$255
88" (2235) Grille Frame	7003535	\$255
<b>Stainless Steel</b>		
83" (2108) Pro Louvered	7003543	\$410
84" (2134) Pro Louvered	7007132	\$470
88" (2235) Pro Louvered	7003547	\$520

### Framed Application

DESCRIPTION	NUMBER	MSRP
Classic Louvered Insert*	7014850	\$175
<b>Handle (2)</b>		
Full-Length Standard	7014889	\$175
Full-Length Extended	7003464	\$205
<b>2-Panel Set</b>		
Stainless Steel	7003457	\$570
White Enamel	7004441	\$500

\*Slides into overlay grille, 84" (2134) finished height.

### Retrofit Panel Kit

DESCRIPTION	NUMBER	MSRP
Framed	7005229	\$345
Overlay or Flush Inset	7003402	\$345

Retrofit existing 600 Series panels onto a new Classic Series model. Grille panel must be reduced in height by 1" (25).

### Single Flush Inset Panels – Stainless Steel

DESCRIPTION	NUMBER	MSRP
<b>Grille*</b>		
Solid SS Panel	7008869	\$255
Pro Louvered	7020158	\$355
<b>Tubular Handle</b>		
Door Panel	7030233	\$795
Drawer Panel	7029743	\$430
<b>Pro Handle</b>		
Door Panel	7008899	\$795
Drawer Panel	7008902	\$430

\*84" (2134) finished height.

# Classic Series Refrigeration

## Accessories

### Dual Flush Inset Panels – Stainless Steel

DESCRIPTION	NUMBER	MSRP
<b>Dual Wide Grille*</b>		
66" (1676) Solid SS Panel	7013367	\$480
72" (1829) Solid SS Panel	7008881	\$510
<b>Tubular Handle</b>		
Door Panel	7030230	\$795
Drawer Panel RH	7030240	\$430
Drawer Panel LH	7030241	\$430
<b>Pro Handle</b>		
Door Panel	7008843	\$795
Drawer Panel RH	7008846	\$430
Drawer Panel LH	7008849	\$430

\*84" (2134) finished height. Solid SS panel requires dual installation kit 7012623 or 7004811.

### Dual Installation Kit with Dual Wide Grille

DESCRIPTION	NUMBER	MSRP
<b>Framed</b>		
72" (1829) Classic Louvered	7004809	\$1,185
<b>Overlay or Flush Inset</b>		
66" (1676) Grille Frame	7012623	\$945
72" (1829) Grille Frame	7004811	\$985
<b>Stainless Steel Flush Inset</b>		
66" (1676) Pro Louvered	7020162	\$1,105
72" (1829) Pro Louvered	7020163	\$1,150
<b>Stainless Steel</b>		
66" (1676) Pro Louvered	7012624	\$1,245
72" (1829) Pro Louvered	7004813	\$1,275

For handle-to-handle installations only. Kit includes dual wide kickplate and dual wide grille for 84" (2134) finished height, center trim strip, heater and mounting hardware.

### Dual Installation Kit

DESCRIPTION	NUMBER	MSRP
<b>All Designs</b>		
Dual Installation Kit	7003411	\$380

For handle-to-handle installations only. Kit includes center trim strip, heater and mounting hardware.

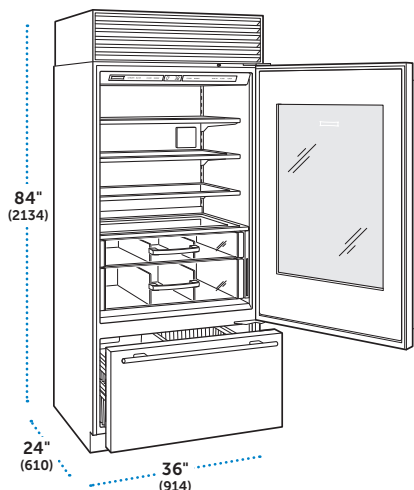
### Filters and Cartridges

DESCRIPTION	NUMBER	MSRP
<b>Replacement Filter</b>		
Water Filter	4204490	\$55
<b>Replacement Cartridge</b>		
Air Purification	7007067	\$55

### Miscellaneous

DESCRIPTION	NUMBER	MSRP
<b>Mounting Kits</b>		
Custom Front Panels	7020607	\$235
Custom Side Panel	7003407	\$115
<b>Side Panels</b>		
Stainless Steel (1)	7003408	\$785
White Enamel (1)	7003409	\$540
Stainless Steel Kickplate	7010397	\$45
Egg Container	7007506	\$30
90° Door Stop	7005865	N/C

# Classic Series Refrigeration



## 36" Over-and-Under with Glass Door

MODEL	MSRP	UMRP
BI-36UG/O*	\$10,515	\$10,063
BI-36UG/S/TH	\$11,915	\$11,403
BI-36UG/S/PH	\$11,915	\$11,403

\*Flush inset and framed design options are achieved by specifying an overlay model. Overlay models include a grille frame that accepts a classic louvered, solid stainless, pro louvered or custom panel insert.

### SPECIFICATIONS

Overall Dimensions	36"W (914) x 84"H (2134) x 24"D (610)
Refrigerator Capacity	16.3 cu ft (462 L)
Freezer Capacity	5.3 cu ft (150 L)
Shipping Weight	529 lbs (240 kg)
Annual Energy Usage	\$80 (659 kWh)

### FEATURES

#### Refrigerator

- 3 adjustable glass shelves
- High-humidity drawer with dividers
- Storage drawer with dividers
- Triple-pane, UV-resistant glass door
- High altitude glass available
- Air purification system

#### Freezer

- Automatic ice maker
- Full-extension drawer with 2-tier wire baskets
- Water filtration system

## Accessories

### Grilles

FINISHED HEIGHT	NUMBER	MSRP
<b>Framed</b>		
83" (2108) Classic Louvered	7003519	\$380
88" (2235) Classic Louvered	7003523	\$480
<b>Overlay or Flush Inset</b>		
83" (2108) Grille Frame	7003531	\$285
84" (2134) Grille Frame	7007136	\$255
88" (2235) Grille Frame	7003535	\$255
<b>Stainless Steel</b>		
83" (2108) Pro Louvered	7003543	\$410
84" (2134) Pro Louvered	7007132	\$470
88" (2235) Pro Louvered	7003547	\$520

### Framed Application

DESCRIPTION	NUMBER	MSRP
Classic Louvered Insert*	7014850	\$175
<b>Handle (2)</b>		
Full-Length Standard	7014889	\$175
Full-Length Extended	7003464	\$205

\*Slides into overlay grille, 84" (2134) finished height.

### Single Flush Inset Panels – Stainless Steel

DESCRIPTION	NUMBER	MSRP
<b>Grille*</b>		
Solid SS Panel	7008869	\$255
Pro Louvered	7020158	\$355
<b>Tubular Handle</b>		
Door Panel	7030234	\$795
Drawer Panel	7029743	\$430
<b>Pro Handle</b>		
Door Panel	7008905	\$795
Drawer Panel	7008902	\$430

\*84" (2134) finished height.

# Classic Series Refrigeration

## Accessories

### Dual Flush Inset Panels – Stainless Steel

DESCRIPTION	NUMBER	MSRP
<b>Dual Wide Grille*</b>		
66" (1676) Solid SS Panel	7013367	\$480
72" (1829) Solid SS Panel	7008881	\$510
<b>Tubular Handle</b>		
Door Panel	7030236	\$795
Drawer Panel RH	7030240	\$430
Drawer Panel LH	7030241	\$430
<b>Pro Handle</b>		
Door Panel	7012232	\$795
Drawer Panel RH	7008846	\$430
Drawer Panel LH	7008849	\$430

\*84" (2134) finished height. Solid SS panel requires dual installation kit 7012623 or 7004811.

### Dual Installation Kit with Dual Wide Grille

DESCRIPTION	NUMBER	MSRP
<b>Framed</b>		
72" (1829) Classic Louvered	7004809	\$1,185
<b>Overlay or Flush Inset</b>		
66" (1676) Grille Frame	7012623	\$945
72" (1829) Grille Frame	7004811	\$985
<b>Stainless Steel Flush Inset</b>		
66" (1676) Pro Louvered	7020162	\$1,105
72" (1829) Pro Louvered	7020163	\$1,150
<b>Stainless Steel</b>		
66" (1676) Pro Louvered	7012624	\$1,245
72" (1829) Pro Louvered	7004813	\$1,275

For handle-to-handle installations only. Kit includes dual wide kickplate and dual wide grille for 84" (2134) finished height, center trim strip, heater and mounting hardware.

### Dual Installation Kit

DESCRIPTION	NUMBER	MSRP
<b>All Designs</b>		
Dual Installation Kit	7003411	\$380

For handle-to-handle installations only. Kit includes center trim strip, heater and mounting hardware.

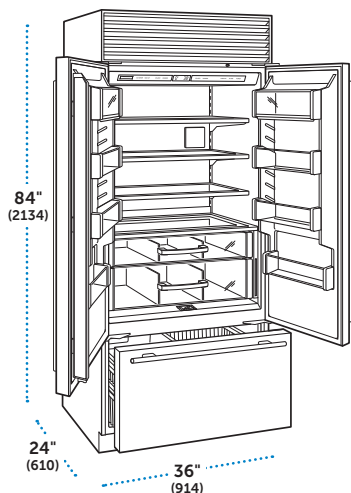
### Filters and Cartridges

DESCRIPTION	NUMBER	MSRP
<b>Replacement Filter</b>		
Water Filter	4204490	\$55
<b>Replacement Cartridge</b>		
Air Purification	7007067	\$55

### Miscellaneous

DESCRIPTION	NUMBER	MSRP
<b>Mounting Kits</b>		
Custom Side Panel	7003407	\$115
<b>Side Panels</b>		
Stainless Steel (1)	7003408	\$785
White Enamel (1)	7003409	\$540
Stainless Steel Kickplate	7010397	\$45
Egg Container	7007506	\$30
90° Door Stop	7005865	N/C

# Classic Series Refrigeration



## 36" Over-and-Under with French Door

MODEL	MSRP	UMRP
BI-36UFD/O*	\$9,910	\$9,487
BI-36UFD/S/TH	\$11,580	\$11,079
BI-36UFD/S/PH	\$11,580	\$11,079

\*Flush inset and framed design options are achieved by specifying an overlay model. Overlay models include a grille frame that accepts a classic louvered, solid stainless, pro louvered or custom panel insert.

### SPECIFICATIONS

Overall Dimensions	36"W (914) x 84"H (2134) x 24"D (610)
Refrigerator Capacity	15.7 cu ft (446 L)
Freezer Capacity	5.3 cu ft (150 L)
Shipping Weight	529 lbs (240 kg)
Annual Energy Usage	\$79 (654 kWh)

### FEATURES

#### Refrigerator

- 3 adjustable glass shelves
- High-humidity drawer with dividers
- Storage drawer with dividers
- 4 adjustable and 2 stationary door shelves
- 2 adjustable dairy compartments
- Air purification system

#### Freezer

- Automatic ice maker
- Full-extension drawer with 2-tier wire baskets
- Water filtration system

## Accessories

### Grilles

FINISHED HEIGHT	NUMBER	MSRP
<b>Framed</b>		
83" (2108) Classic Louvered	7003519	\$380
88" (2235) Classic Louvered	7003523	\$480
<b>Overlay or Flush Inset</b>		
83" (2108) Grille Frame	7003531	\$285
84" (2134) Grille Frame	7007136	\$255
88" (2235) Grille Frame	7003535	\$255
<b>Stainless Steel</b>		
83" (2108) Pro Louvered	7003543	\$410
84" (2134) Pro Louvered	7007132	\$470
88" (2235) Pro Louvered	7003547	\$520

### Framed Application

DESCRIPTION	NUMBER	MSRP
Classic Louvered Insert*	7014850	\$175
<b>Handles (3)</b>		
Full-Length Standard	7023375	\$235
Full-Length Extended	7023376	\$255
<b>3-Panel Set</b>		
Stainless Steel	7023377	\$570
White Enamel	7023378	\$500

\*Slides into overlay grille, 84" (2134) finished height.

# Classic Series Refrigeration

## Accessories

### Flush Inset Panels – Stainless Steel

DESCRIPTION	NUMBER	MSRP
<b>Grille*</b>		
Solid SS Panel	7008869	\$255
Pro Louvered	7020158	\$355
<b>Tubular Handle</b>		
Refrigerator Door Panel**	7029742	\$795
Freezer Drawer Panel	7029743	\$430
<b>Pro Handle</b>		
Refrigerator Door Panel**	7023380	\$795
Freezer Drawer Panel	7008902	\$430

\*84" (2134) finished height.

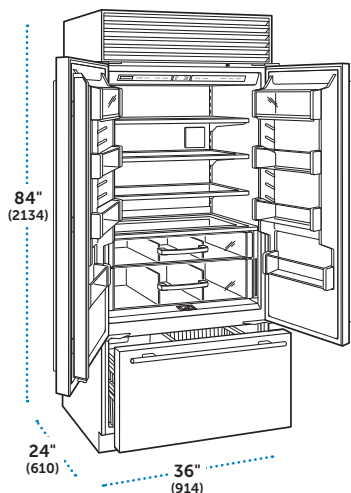
\*\*Must order quantity two.

### Filters and Cartridges

DESCRIPTION	NUMBER	MSRP
<b>Replacement Filter</b>		
Water Filter	4204490	\$55
<b>Replacement Cartridge</b>		
Air Purification	7007067	\$55

### Miscellaneous

DESCRIPTION	NUMBER	MSRP
<b>Mounting Kits</b>		
Custom Front Panels	7020607	\$235
Custom Side Panel	7003407	\$115
<b>Side Panels</b>		
Stainless Steel (1)	7003408	\$785
White Enamel (1)	7003409	\$540
Stainless Steel Kickplate	7010397	\$45
Egg Container	7007506	\$30
90° Door Stop	7005865	N/C



## 36" Over-and-Under with French Door and Internal Dispenser

MODEL	MSRP	UMRP
BI-36UFDID/O*	\$10,285	\$9,847
BI-36UFDID/S/TH	\$11,955	\$11,439
BI-36UFDID/S/PH	\$11,955	\$11,439

\*Flush inset and framed design options are achieved by specifying an overlay model. Overlay models include a grille frame that accepts a classic louvered, solid stainless, pro louvered or custom panel insert.

### SPECIFICATIONS

Overall Dimensions	36"W (914) x 84"H (2134) x 24"D (610)
Refrigerator Capacity	15.7 cu ft (446 L)
Freezer Capacity	5.3 cu ft (150 L)
Shipping Weight	529 lbs (240 kg)
Annual Energy Usage	\$79 (654 kWh)

### FEATURES

#### Refrigerator

- Internal water dispenser
- 3 adjustable glass shelves
- High-humidity drawer with dividers
- Storage drawer with dividers
- 4 adjustable and 2 stationary door shelves
- 2 adjustable dairy compartments
- Air purification system

#### Freezer

- Automatic ice maker
- Full-extension drawer with 2-tier wire baskets
- Water filtration system

## Accessories

### Grilles

FINISHED HEIGHT	NUMBER	MSRP
<b>Framed</b>		
83" (2108) Classic Louvered	7003519	\$380
88" (2235) Classic Louvered	7003523	\$480
<b>Overlay or Flush Inset</b>		
83" (2108) Grille Frame	7003531	\$285
84" (2134) Grille Frame	7007136	\$255
88" (2235) Grille Frame	7003535	\$255
<b>Stainless Steel</b>		
83" (2108) Pro Louvered	7003543	\$410
84" (2134) Pro Louvered	7007132	\$470
88" (2235) Pro Louvered	7003547	\$520

### Framed Application

DESCRIPTION	NUMBER	MSRP
Classic Louvered Insert*	7014850	\$175
<b>Handles (3)</b>		
Full-Length Standard	7023375	\$235
Full-Length Extended	7023376	\$255
<b>3-Panel Set</b>		
Stainless Steel	7023377	\$570
White Enamel	7023378	\$500

\*Slides into overlay grille, 84" (2134) finished height.

## Accessories

### Flush Inset Panels – Stainless Steel

DESCRIPTION	NUMBER	MSRP
<b>Grille*</b>		
Solid SS Panel	7008869	\$255
Pro Louvered	7020158	\$355
<b>Tubular Handle</b>		
Refrigerator Door Panel**	7029742	\$795
Freezer Drawer Panel	7029743	\$430
<b>Pro Handle</b>		
Refrigerator Door Panel**	7023380	\$795
Freezer Drawer Panel	7008902	\$430

\*84" (2134) finished height.

\*\*Must order quantity two.

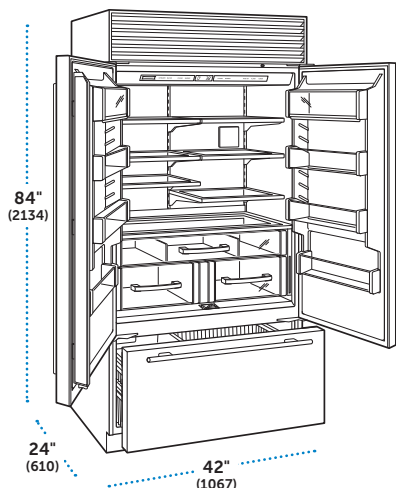
### Filters and Cartridges

DESCRIPTION	NUMBER	MSRP
<b>Replacement Filter</b>		
Water Filter	4204490	\$55
<b>Replacement Cartridge</b>		
Air Purification	7007067	\$55

### Miscellaneous

DESCRIPTION	NUMBER	MSRP
<b>Mounting Kits</b>		
Custom Front Panels	7020607	\$235
Custom Side Panel	7003407	\$115
<b>Side Panels</b>		
Stainless Steel (1)	7003408	\$785
White Enamel (1)	7003409	\$540
Stainless Steel Kickplate	7010397	\$45
Egg Container	7007506	\$30
90° Door Stop	7005865	N/C

# Classic Series Refrigeration



## 42" Over-and-Under with French Door

MODEL	MSRP	UMRP
BI-42UFD/O*	\$10,505	\$10,054
BI-42UFD/S/TH	\$12,280	\$11,754
BI-42UFD/S/PH	\$12,280	\$11,754

\*Flush inset and framed design options are achieved by specifying an overlay model. Overlay models include a grille frame that accepts a classic louvered, solid stainless, pro louvered or custom panel insert.

### SPECIFICATIONS

Overall Dimensions	42"W (1067) x 84"H (2134) x 24"D (610)
Refrigerator Capacity	17.9 cu ft (507 L)
Freezer Capacity	6.3 cu ft (178 L)
Shipping Weight	582 lbs (264 kg)
Annual Energy Usage	\$84 (693 kWh)

### FEATURES

#### Refrigerator

- 6 adjustable glass shelves
- High-humidity drawer with dividers
- 2 storage drawers
- 4 adjustable and 2 stationary door shelves
- 2 adjustable dairy compartments
- Air purification system

#### Freezer

- Automatic ice maker
- Full-extension drawer with 2-tier wire baskets
- Water filtration system

## Accessories

### Grilles

FINISHED HEIGHT	NUMBER	MSRP
<b>Framed</b>		
83" (2108) Classic Louvered	7003520	\$395
88" (2235) Classic Louvered	7003524	\$500
<b>Overlay or Flush Inset</b>		
83" (2108) Grille Frame	7003532	\$295
84" (2134) Grille Frame	7007137	\$275
88" (2235) Grille Frame	7003536	\$275
<b>Stainless Steel</b>		
83" (2108) Pro Louvered	7003544	\$430
84" (2134) Pro Louvered	7007133	\$485
88" (2235) Pro Louvered	7003548	\$550

### Framed Application

DESCRIPTION	NUMBER	MSRP
Classic Louvered Insert*	7014851	\$205
<b>Handles (3)</b>		
Full-Length Standard	7027154	\$255
Full-Length Extended	7027155	\$310
<b>3-Panel Set</b>		
Stainless Steel	7027158	\$680
White Enamel	7027159	\$600

\*Slides into overlay grille, 84" (2134) finished height.

# Classic Series Refrigeration

## Accessories

### Flush Inset Panels – Stainless Steel

DESCRIPTION	NUMBER	MSRP
<b>Grille*</b>		
Solid SS Panel	7008871	\$295
Pro Louvered	7020159	\$380
<b>Tubular Handle</b>		
Refrigerator Door Panel**	7030238	\$830
Freezer Drawer Panel	7030242	\$465
<b>Pro Handle</b>		
Refrigerator Door Panel**	7027169	\$830
Freezer Drawer Panel	7027170	\$465

\*84" (2134) finished height.

\*\*Must order quantity two.

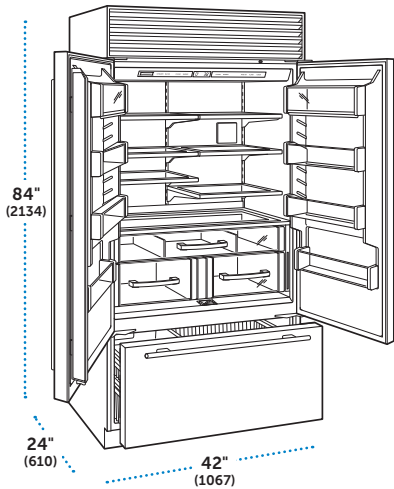
### Filters and Cartridges

DESCRIPTION	NUMBER	MSRP
<b>Replacement Filter</b>		
Water Filter	4204490	\$55
<b>Replacement Cartridge</b>		
Air Purification	7007067	\$55

### Miscellaneous

DESCRIPTION	NUMBER	MSRP
<b>Mounting Kits</b>		
Custom Front Panels	7020607	\$235
Custom Side Panel	7003407	\$115
<b>Side Panels</b>		
Stainless Steel (1)	7003408	\$785
White Enamel (1)	7003409	\$540
Stainless Steel Kickplate	7011039	\$45
Egg Container	7007506	\$30
90° Door Stop	7005865	N/C

# Classic Series Refrigeration



## 42" Over-and-Under with French Door and Internal Dispenser

MODEL	MSRP	UMRP
BI-42UFDID/O*	\$10,880	\$10,414
BI-42UFDID/S/TH	\$12,655	\$12,113
BI-42UFDID/S/PH	\$12,655	\$12,113

\*Flush inset and framed design options are achieved by specifying an overlay model. Overlay models include a grille frame that accepts a classic louvered, solid stainless, pro louvered or custom panel insert.

### SPECIFICATIONS

Overall Dimensions	42"W (1067) x 84"H (2134) x 24"D (610)
Refrigerator Capacity	17.9 cu ft (507 L)
Freezer Capacity	6.3 cu ft (178 L)
Shipping Weight	582 lbs (264 kg)
Annual Energy Usage	\$84 (693 kWh)

### FEATURES

#### Refrigerator

- Internal water dispenser
- 6 adjustable glass shelves
- High-humidity drawer with dividers
- 2 storage drawers
- 4 adjustable and 2 stationary door shelves
- 2 adjustable dairy compartments
- Air purification system

#### Freezer

- Automatic ice maker
- Full-extension drawer with 2-tier wire baskets
- Water filtration system

## Accessories

### Grilles

FINISHED HEIGHT	NUMBER	MSRP
<b>Framed</b>		
83" (2108) Classic Louvered	7003520	\$395
88" (2235) Classic Louvered	7003524	\$500
<b>Overlay or Flush Inset</b>		
83" (2108) Grille Frame	7003532	\$295
84" (2134) Grille Frame	7007137	\$275
88" (2235) Grille Frame	7003536	\$275
<b>Stainless Steel</b>		
83" (2108) Pro Louvered	7003544	\$430
84" (2134) Pro Louvered	7007133	\$485
88" (2235) Pro Louvered	7003548	\$550

### Framed Application

DESCRIPTION	NUMBER	MSRP
Classic Louvered Insert*	7014851	\$205
<b>Handles (3)</b>		
Full-Length Standard	7027154	\$255
Full-Length Extended	7027155	\$310
<b>3-Panel Set</b>		
Stainless Steel	7027158	\$680
White Enamel	7027159	\$600

\*Slides into overlay grille, 84" (2134) finished height.

# Classic Series Refrigeration

## Accessories

### Flush Inset Panels – Stainless Steel

DESCRIPTION	NUMBER	MSRP
<b>Grille*</b>		
Solid SS Panel	7008871	\$295
Pro Louvered	7020159	\$380
<b>Tubular Handle</b>		
Refrigerator Door Panel**	7030238	\$830
Freezer Drawer Panel	7030242	\$465
<b>Pro Handle</b>		
Refrigerator Door Panel**	7027169	\$830
Freezer Drawer Panel	7027170	\$465

\*84" (2134) finished height.

\*\*Must order quantity two.

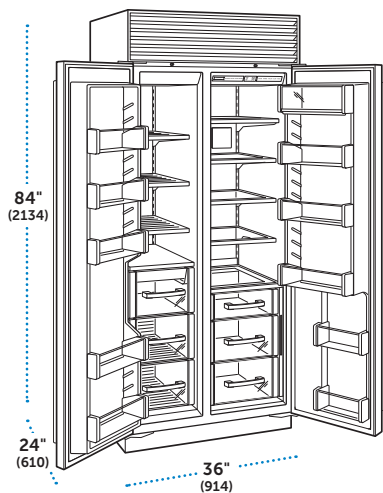
### Filters and Cartridges

DESCRIPTION	NUMBER	MSRP
<b>Replacement Filter</b>		
Water Filter	4204490	\$55
<b>Replacement Cartridge</b>		
Air Purification	7007067	\$55

### Miscellaneous

DESCRIPTION	NUMBER	MSRP
<b>Mounting Kits</b>		
Custom Front Panels	7020607	\$235
Custom Side Panel	7003407	\$115
<b>Side Panels</b>		
Stainless Steel (1)	7003408	\$785
White Enamel (1)	7003409	\$540
Stainless Steel Kickplate	7011039	\$45
Egg Container	7007506	\$30
90° Door Stop	7005865	N/C

# Classic Series Refrigeration



## 36" Side-by-Side

MODEL	MSRP	UMRP
BI-36S/O*	\$9,150	\$8,759
BI-36S/S/TH	\$10,820	\$10,351
BI-36S/S/PH	\$10,820	\$10,351

\*Flush inset and framed design options are achieved by specifying an overlay model. Overlay models include a grille frame that accepts a classic louvered, solid stainless, pro louvered or custom panel insert.

### SPECIFICATIONS

Overall Dimensions	36"W (914) x 84"H (2134) x 24"D (610)
Refrigerator Capacity	12.4 cu ft (351 L)
Freezer Capacity	8.2 cu ft (232 L)
Shipping Weight	538 lbs (244 kg)
Annual Energy Usage	\$86 (715 kWh)

### FEATURES

#### Refrigerator

- 4 adjustable glass shelves
- High-humidity drawer
- 2 storage drawers
- 3 adjustable and 2 stationary door shelves
- Adjustable dairy compartment
- Air purification system

#### Freezer

- Automatic ice maker
- 3 adjustable wire shelves
- 3 storage drawers
- 5 adjustable door shelves
- Water filtration system

## Accessories

### Grilles

FINISHED HEIGHT	NUMBER	MSRP
<b>Framed</b>		
83" (2108) Classic Louvered	7003519	\$380
88" (2235) Classic Louvered	7003523	\$480
<b>Overlay or Flush Inset</b>		
83" (2108) Grille Frame	7003531	\$285
84" (2134) Grille Frame	7007136	\$255
88" (2235) Grille Frame	7003535	\$255
<b>Stainless Steel</b>		
83" (2108) Pro Louvered	7003543	\$410
84" (2134) Pro Louvered	7007132	\$470
88" (2235) Pro Louvered	7003547	\$520

### Framed Application

DESCRIPTION	NUMBER	MSRP
Classic Louvered Insert*	7014850	\$175
<b>Handles (2)</b>		
Full-Length Standard	7014890	\$175
Full-Length Extended	7003465	\$205
<b>2-Panel Set</b>		
Stainless Steel	7003458	\$570
White Enamel	7004442	\$485

\*Slides into overlay grille, 84" (2134) finished height.

# Classic Series Refrigeration

## Accessories

### Flush Inset Panels – Stainless Steel

DESCRIPTION	NUMBER	MSRP
<b>Grille*</b>		
Solid SS Panel	7008869	\$255
Pro Louvered	7020158	\$355
<b>Tubular Handle</b>		
Refrigerator Door Panel	7030218	\$795
Freezer Door Panel	7030219	\$710
<b>Pro Handle</b>		
Refrigerator Door Panel	7008908	\$795
Freezer Door Panel	7008911	\$710

\*84" (2134) finished height.

### Retrofit Panel Kit

DESCRIPTION	NUMBER	MSRP
Framed	7005228	\$390
Overlay or Flush Inset	7011531	\$390

Retrofit existing 600 Series panels onto a new Classic Series model.  
Grille panel must be reduced in height by 1" (25).

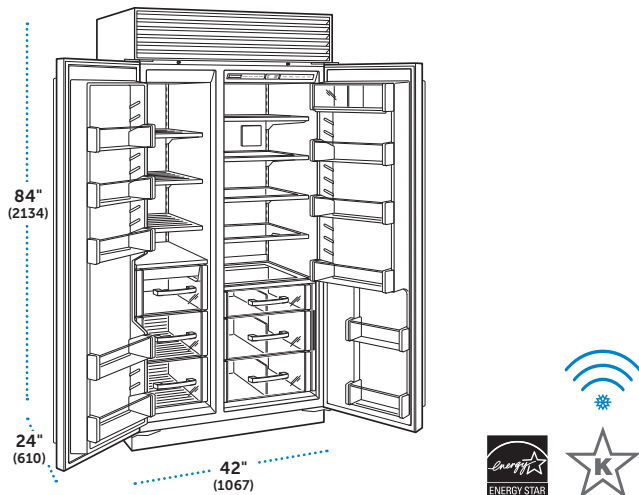
### Filters and Cartridges

DESCRIPTION	NUMBER	MSRP
<b>Replacement Filter</b>		
Water Filter	4204490	\$55
<b>Replacement Cartridge</b>		
Air Purification	7007067	\$55

### Miscellaneous

DESCRIPTION	NUMBER	MSRP
<b>Mounting Kits</b>		
Custom Front Panels	7020607	\$235
Custom Side Panel	7003407	\$115
<b>Side Panels</b>		
Stainless Steel (1)	7003408	\$785
White Enamel (1)	7003409	\$540
Stainless Steel Kickplate	7007266	\$45
Egg Container	7007506	\$30
90° Door Stop	7005865	N/C

# Classic Series Refrigeration



## 42" Side-by-Side

MODEL	MSRP	UMRP
BI-42S/O*‡	\$9,745	\$9,191
BI-42S/S/TH	\$11,520	\$11,025
BI-42S/S/PH	\$11,520	\$11,025

\*Flush inset and framed design options are achieved by specifying an overlay model. Overlay models include a grille frame that accepts a classic louvered, solid stainless, pro louvered or custom panel insert.

‡This model is not ENERGY STAR® certified.

### SPECIFICATIONS

Overall Dimensions	42"W (1067) x 84"H (2134) x 24"D (610)
Refrigerator Capacity	16.3 cu ft (462 L)
Freezer Capacity	8.0 cu ft (227 L)
Shipping Weight	582 lbs (264 kg)
Annual Energy Usage	
BI-42S/O	\$91 (752 kWh)
BI-42S/S/TH(PH)	\$83 (685 kWh)

### FEATURES

#### Refrigerator

- 4 adjustable glass shelves
- High-humidity drawer with divider
- 2 storage drawers with divider
- 3 adjustable and 2 stationary door shelves
- Adjustable dairy compartment
- Air purification system

#### Freezer

- Automatic ice maker
- 3 adjustable wire shelves
- 3 storage drawers
- 5 adjustable door shelves
- Water filtration system

## Accessories

### Grilles

FINISHED HEIGHT	NUMBER	MSRP
<b>Framed</b>		
83" (2108) Classic Louvered	7003520	\$395
88" (2235) Classic Louvered	7003524	\$500
<b>Overlay or Flush Inset</b>		
83" (2108) Grille Frame	7003532	\$295
84" (2134) Grille Frame	7007137	\$275
88" (2235) Grille Frame	7003536	\$275
<b>Stainless Steel</b>		
83" (2108) Pro Louvered	7003544	\$430
84" (2134) Pro Louvered	7007133	\$485
88" (2235) Pro Louvered	7003548	\$550

### Framed Application

DESCRIPTION	NUMBER	MSRP
Classic Louvered Insert*	7014851	\$205
<b>Handles (2)</b>		
Full-Length Standard	7014890	\$175
Full-Length Extended	7003465	\$205
<b>2-Panel Set</b>		
Stainless Steel	7003459	\$620
White Enamel	7004443	\$570

\*Slides into overlay grille, 84" (2134) finished height.

# Classic Series Refrigeration

## Accessories

### Flush Inset Panels – Stainless Steel

DESCRIPTION	NUMBER	MSRP
<b>Grille*</b>		
Solid SS Panel	7008871	\$295
Pro Louvered	7020159	\$380
<b>Tubular Handle</b>		
Refrigerator Door Panel	7030220	\$830
Freezer Door Panel	7030221	\$750
<b>Pro Handle</b>		
Refrigerator Door Panel	7008914	\$830
Freezer Door Panel	7008917	\$750

\*84" (2134) finished height.

### Retrofit Panel Kit

DESCRIPTION	NUMBER	MSRP
Framed	7005227	\$390
Overlay or Flush Inset	7003400	\$390

Retrofit existing 600 Series panels onto a new Classic Series model.  
Grille panel must be reduced in height by 1" (25).

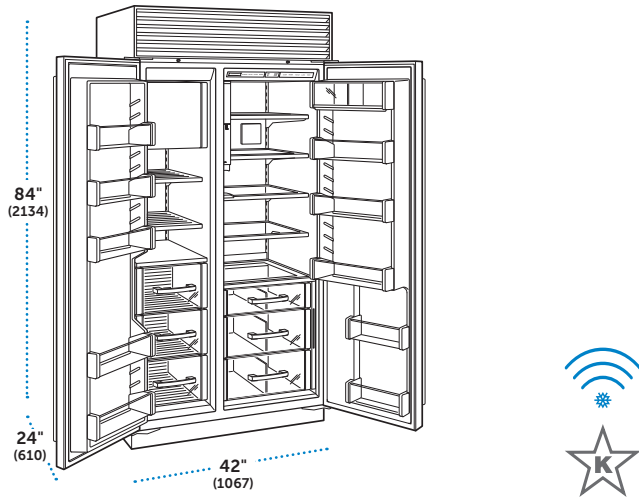
### Filters and Cartridges

DESCRIPTION	NUMBER	MSRP
<b>Replacement Filter</b>		
Water Filter	4204490	\$55
<b>Replacement Cartridge</b>		
Air Purification	7007067	\$55

### Miscellaneous

DESCRIPTION	NUMBER	MSRP
<b>Mounting Kits</b>		
Custom Front Panels	7020607	\$235
Custom Side Panel	7003407	\$115
<b>Side Panels</b>		
Stainless Steel (1)	7003408	\$785
White Enamel (1)	7003409	\$540
Stainless Steel Kickplate	7011039	\$45
Egg Container	7007506	\$30
90° Door Stop	7005865	N/C

# Classic Series Refrigeration



## 42" Side-by-Side with Internal Dispenser

MODEL	MSRP	UMRP
BI-42SID/O*	\$10,390	\$9,946
BI-42SID/S/TH	\$12,165	\$11,646
BI-42SID/S/PH	\$12,165	\$11,646

\*Flush inset and framed design options are achieved by specifying an overlay model. Overlay models include a grille frame that accepts a classic louvered, solid stainless, pro louvered or custom panel insert.

### SPECIFICATIONS

Overall Dimensions	42"W (1067) x 84"H (2134) x 24"D (610)
Refrigerator Capacity	15.8 cu ft (447 L)
Freezer Capacity	7.9 cu ft (224 L)
Shipping Weight	608 lbs (276 kg)
Annual Energy Usage	\$90 (745 kWh)

### FEATURES

#### Refrigerator

- Internal ice and water dispenser
- 4 adjustable glass shelves
- High-humidity drawer with divider
- 2 storage drawers with divider
- 3 adjustable and 2 stationary door shelves
- Adjustable dairy compartment
- Air purification system

#### Freezer

- Automatic ice maker
- 2 adjustable wire shelves
- 3 storage drawers
- 5 adjustable door shelves
- Water filtration system

## Accessories

### Grilles

FINISHED HEIGHT	NUMBER	MSRP
<b>Framed</b>		
83" (2108) Classic Louvered	7003520	\$395
88" (2235) Classic Louvered	7003524	\$500
<b>Overlay or Flush Inset</b>		
83" (2108) Grille Frame	7003532	\$295
84" (2134) Grille Frame	7007137	\$275
88" (2235) Grille Frame	7003536	\$275
<b>Stainless Steel</b>		
83" (2108) Pro Louvered	7003544	\$430
84" (2134) Pro Louvered	7007133	\$485
88" (2235) Pro Louvered	7003548	\$550

### Framed Application

DESCRIPTION	NUMBER	MSRP
Classic Louvered Insert*	7014851	\$205
<b>Handles (2)</b>		
Full-Length Standard	7014890	\$175
Full-Length Extended	7003465	\$205
<b>2-Panel Set</b>		
Stainless Steel	7003459	\$620
White Enamel	7004443	\$570

\*Slides into overlay grille, 84" (2134) finished height.

# Classic Series Refrigeration

## Accessories

### Flush Inset Panels – Stainless Steel

DESCRIPTION	NUMBER	MSRP
<b>Grille*</b>		
Solid SS Panel	7008871	\$295
Pro Louvered	7020159	\$380
<b>Tubular Handle</b>		
Refrigerator Door Panel	7030220	\$830
Freezer Door Panel	7030221	\$750
<b>Pro Handle</b>		
Refrigerator Door Panel	7008914	\$830
Freezer Door Panel	7008917	\$750

\*84" (2134) finished height.

### Retrofit Panel Kit

DESCRIPTION	NUMBER	MSRP
Framed	7005227	\$390
Overlay or Flush Inset	7003400	\$390

Retrofit existing 600 Series panels onto a new Classic Series model.  
Grille panel must be reduced in height by 1" (25).

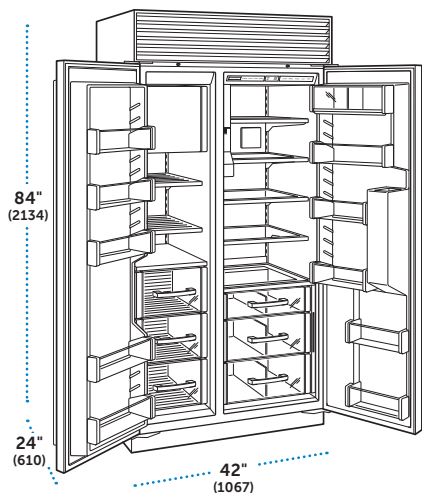
### Filters and Cartridges

DESCRIPTION	NUMBER	MSRP
<b>Replacement Filter</b>		
Water Filter	4204490	\$55
<b>Replacement Cartridge</b>		
Air Purification	7007067	\$55

### Miscellaneous

DESCRIPTION	NUMBER	MSRP
<b>Mounting Kits</b>		
Custom Front Panels	7020607	\$235
Custom Side Panel	7003407	\$115
<b>Side Panels</b>		
Stainless Steel (1)	7003408	\$785
White Enamel (1)	7003409	\$540
Stainless Steel Kickplate	7011039	\$45
Egg Container	7007506	\$30
90° Door Stop	7005865	N/C

# Classic Series Refrigeration



## 42" Side-by-Side with Dispenser

MODEL	MSRP	UMRP
BI-42SD/O*	\$10,820	\$10,351
BI-42SD/S/TH	\$12,595	\$12,050
BI-42SD/S/PH	\$12,595	\$12,050

\*Flush inset and framed design options are achieved by specifying an overlay model. Overlay models include a grille frame that accepts a classic louvered, solid stainless, pro louvered or custom panel insert.

### SPECIFICATIONS

Overall Dimensions	42"W (1067) x 84"H (2134) x 24"D (610)
Refrigerator Capacity	16.0 cu ft (453 L)
Freezer Capacity	7.9 cu ft (224 L)
Shipping Weight	608 lbs (276 kg)
Annual Energy Usage	\$98 (809 kWh)

### FEATURES

#### Refrigerator

- 4 adjustable glass shelves
- High-humidity drawer with divider
- 2 storage drawers with divider
- 3 adjustable and 2 stationary door shelves
- Adjustable dairy compartment
- Air purification system

#### Freezer

- Automatic ice maker with dispenser
- 2 adjustable wire shelves
- 3 storage drawers
- 5 adjustable door shelves
- Water filtration system

## Accessories

### Grilles

FINISHED HEIGHT	NUMBER	MSRP
<b>Framed</b>		
83" (2108) Classic Louvered	7003520	\$395
88" (2235) Classic Louvered	7003524	\$500
<b>Overlay or Flush Inset</b>		
83" (2108) Grille Frame	7003532	\$295
84" (2134) Grille Frame	7007137	\$275
88" (2235) Grille Frame	7003536	\$275
<b>Stainless Steel</b>		
83" (2108) Pro Louvered	7003544	\$430
84" (2134) Pro Louvered	7007133	\$485
88" (2235) Pro Louvered	7003548	\$550

### Framed Application

DESCRIPTION	NUMBER	MSRP
Classic Louvered Insert*	7014851	\$205
<b>Handles (2)</b>		
Full-Length Standard	7014890	\$175
Full-Length Extended	7003465	\$205
<b>2-Panel Set</b>		
Stainless Steel	7005088	\$640
White Enamel	7005090	\$600
Partial Framed Kit	7004855	\$220

\*Slides into overlay grille, 84" (2134) finished height.

## Accessories

### Flush Inset Panels – Stainless Steel

DESCRIPTION	NUMBER	MSRP
<b>Grille*</b>		
Solid SS Panel	7008871	\$295
Pro Louvered	7020159	\$380
<b>Tubular Handle</b>		
Refrigerator Door Panel	7030222	\$830
Freezer Door Panel	7030221	\$750
<b>Pro Handle</b>		
Refrigerator Door Panel	7008920	\$865
Freezer Door Panel	7008917	\$750

\*84" (2134) finished height.

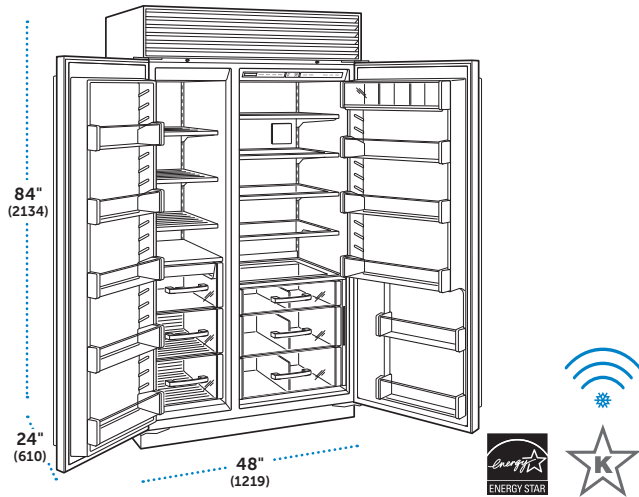
### Filters and Cartridges

DESCRIPTION	NUMBER	MSRP
<b>Replacement Filter</b>		
Water Filter	4204490	\$55
<b>Replacement Cartridge</b>		
Air Purification	7007067	\$55

### Miscellaneous

DESCRIPTION	NUMBER	MSRP
<b>Mounting Kits</b>		
Custom Front Panels	7020607	\$235
Custom Side Panel	7003407	\$115
<b>Side Panels</b>		
Stainless Steel (1)	7003408	\$785
White Enamel (1)	7003409	\$540
Stainless Steel Kickplate	7011039	\$45
Egg Container	7007506	\$30
90° Door Stop	7005865	N/C

# Classic Series Refrigeration



## 48" Side-by-Side

MODEL	MSRP	UMRP
BI-48S/O**	\$10,550	\$10,099
BI-48S/S/TH	\$12,430	\$11,897
BI-48S/S/PH	\$12,430	\$11,897

\*Flush inset and framed design options are achieved by specifying an overlay model. Overlay models include a grille frame that accepts a classic louvered, solid stainless, pro louvered or custom panel insert.

†This model is not ENERGY STAR® certified.

### SPECIFICATIONS

Overall Dimensions	48"W (1219) x 84"H (2134) x 24"D (610)	
Refrigerator Capacity	19.1 cu ft (541 L)	
Freezer Capacity	9.8 cu ft (278 L)	
Shipping Weight	630 lbs (286 kg)	
Annual Energy Usage		
BI-48S/O	\$98 (811 kWh)	
BI-48S/S/TH(PH)	\$89 (738 kWh)	

### FEATURES

#### Refrigerator

- 4 adjustable glass shelves
- High-humidity drawer with divider
- 2 storage drawers with divider
- 3 adjustable and 2 stationary door shelves
- Adjustable dairy compartment
- Air purification system

#### Freezer

- Automatic ice maker
- 3 adjustable wire shelves
- 3 storage drawers
- 5 adjustable door shelves
- Water filtration system

## Accessories

### Grilles

FINISHED HEIGHT	NUMBER	MSRP
<b>Framed</b>		
83" (2108) Classic Louvered	7003521	\$430
88" (2235) Classic Louvered	7003525	\$520
<b>Overlay or Flush Inset</b>		
83" (2108) Grille Frame	7003533	\$305
84" (2134) Grille Frame	7007138	\$285
88" (2235) Grille Frame	7003537	\$285
<b>Stainless Steel</b>		
83" (2108) Pro Louvered	7003545	\$450
84" (2134) Pro Louvered	7007134	\$500
88" (2235) Pro Louvered	7003549	\$560

### Framed Application

DESCRIPTION	NUMBER	MSRP
Classic Louvered Insert*	7014852	\$220
<b>Handles (2)</b>		
Full-Length Standard	7014890	\$175
Full-Length Extended	7003465	\$205
<b>2-Panel Set</b>		
Stainless Steel	7003460	\$665
White Enamel	7004444	\$630

\*Slides into overlay grille, 84" (2134) finished height.

# Classic Series Refrigeration

## Accessories

### Flush Inset Panels – Stainless Steel

DESCRIPTION	NUMBER	MSRP
<b>Grille*</b>		
Solid SS Panel	7008872	\$335
Pro Louvered	7020160	\$395
<b>Tubular Handle</b>		
Refrigerator Door Panel	7030223	\$860
Freezer Door Panel	7030224	\$780
<b>Pro Handle</b>		
Refrigerator Door Panel	7008923	\$860
Freezer Door Panel	7008926	\$780

\*84" (2134) finished height.

### Retrofit Panel Kit

DESCRIPTION	NUMBER	MSRP
Framed	7005226	\$390
Overlay or Flush Inset	7003399	\$390

Retrofit existing 600 Series panels onto a new Classic Series model.  
Grille panel must be reduced in height by 1" (25).

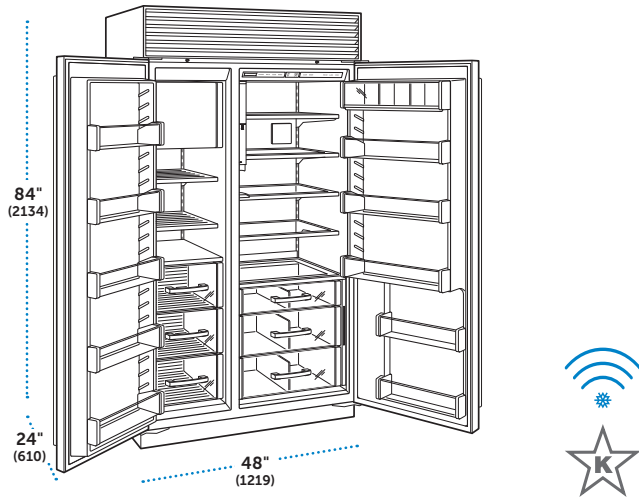
### Filters and Cartridges

DESCRIPTION	NUMBER	MSRP
<b>Replacement Filter</b>		
Water Filter	4204490	\$55
<b>Replacement Cartridge</b>		
Air Purification	7007067	\$55

### Miscellaneous

DESCRIPTION	NUMBER	MSRP
<b>Mounting Kits</b>		
Custom Front Panels	7020607	\$235
Custom Side Panel	7003407	\$115
<b>Side Panels</b>		
Stainless Steel (1)	7003408	\$785
White Enamel (1)	7003409	\$540
Stainless Steel Kickplate	7011049	\$45
Egg Container	7007506	\$30
90° Door Stop	7005865	N/C

# Classic Series Refrigeration



## 48" Side-by-Side with Internal Dispenser

MODEL	MSRP	UMRP
BI-48SID/O*	\$11,195	\$10,710
BI-48SID/S/TH	\$13,075	\$12,509
BI-48SID/S/PH	\$13,075	\$12,509

\*Flush inset and framed design options are achieved by specifying an overlay model. Overlay models include a grille frame that accepts a classic louvered, solid stainless, pro louvered or custom panel insert.

### SPECIFICATIONS

Overall Dimensions	48"W (1219) x 84"H (2134) x 24"D (610)
Refrigerator Capacity	18.6 cu ft (527 L)
Freezer Capacity	9.6 cu ft (272 L)
Shipping Weight	656 lbs (298 kg)
Annual Energy Usage	\$97 (803 kWh)

### FEATURES

#### Refrigerator

- Internal ice and water dispenser
- 4 adjustable glass shelves
- High-humidity drawer with divider
- 2 storage drawers with divider
- 3 adjustable and 2 stationary door shelves
- Adjustable dairy compartment
- Air purification system

#### Freezer

- Automatic ice maker
- 2 adjustable wire shelves
- 3 storage drawers
- 5 adjustable door shelves
- Water filtration system

## Accessories

### Grilles

FINISHED HEIGHT	NUMBER	MSRP
<b>Framed</b>		
83" (2108) Classic Louvered	7003521	\$430
88" (2235) Classic Louvered	7003525	\$520
<b>Overlay or Flush Inset</b>		
83" (2108) Grille Frame	7003533	\$305
84" (2134) Grille Frame	7007138	\$285
88" (2235) Grille Frame	7003537	\$285
<b>Stainless Steel</b>		
83" (2108) Pro Louvered	7003545	\$450
84" (2134) Pro Louvered	7007134	\$500
88" (2235) Pro Louvered	7003549	\$560

### Framed Application

DESCRIPTION	NUMBER	MSRP
Classic Louvered Insert*	7014852	\$220
<b>Handles (2)</b>		
Full-Length Standard	7014890	\$175
Full-Length Extended	7003465	\$205
<b>2-Panel Set</b>		
Stainless Steel	7003460	\$665
White Enamel	7004444	\$630

\*Slides into overlay grille, 84" (2134) finished height.

# Classic Series Refrigeration

## Accessories

### Flush Inset Panels – Stainless Steel

DESCRIPTION	NUMBER	MSRP
<b>Grille*</b>		
Solid SS Panel	7008872	\$335
Pro Louvered	7020160	\$395
<b>Tubular Handle</b>		
Refrigerator Door Panel	7030223	\$860
Freezer Door Panel	7030224	\$780
<b>Pro Handle</b>		
Refrigerator Door Panel	7008923	\$860
Freezer Door Panel	7008926	\$780

\*84" (2134) finished height.

### Retrofit Panel Kit

DESCRIPTION	NUMBER	MSRP
Framed	7005226	\$390
Overlay or Flush Inset	7003399	\$390

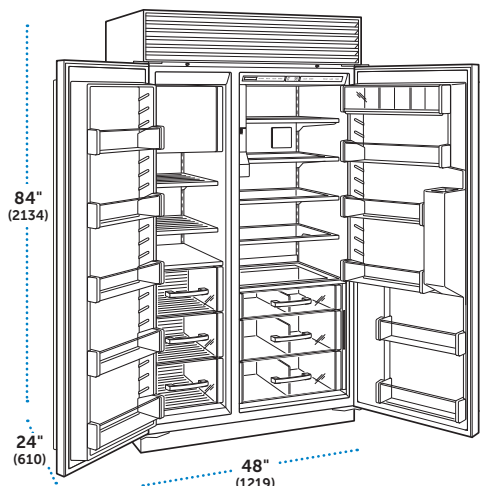
Retrofit existing 600 Series panels onto a new Classic Series model.  
Grille panel must be reduced in height by 1" (25).

### Filters and Cartridges

DESCRIPTION	NUMBER	MSRP
<b>Replacement Filter</b>		
Water Filter	4204490	\$55
<b>Replacement Cartridge</b>		
Air Purification	7007067	\$55

### Miscellaneous

DESCRIPTION	NUMBER	MSRP
<b>Mounting Kits</b>		
Custom Front Panels	7020607	\$235
Custom Side Panel	7003407	\$115
<b>Side Panels</b>		
Stainless Steel (1)	7003408	\$785
White Enamel (1)	7003409	\$540
Stainless Steel Kickplate	7011049	\$45
Egg Container	7007506	\$30
90° Door Stop	7005865	N/C



## 48" Side-by-Side with Dispenser

MODEL	MSRP	UMRP
BI-48SD/O*	\$11,625	\$11,124
BI-48SD/S/TH	\$13,505	\$12,923
BI-48SD/S/PH	\$13,505	\$12,923

\*Flush inset and framed design options are achieved by specifying an overlay model. Overlay models include a grille frame that accepts a classic louvered, solid stainless, pro louvered or custom panel insert.

### SPECIFICATIONS

Overall Dimensions	48"W (1219) x 84"H (2134) x 24"D (610)
Refrigerator Capacity	18.8 cu ft (532 L)
Freezer Capacity	9.6 cu ft (272 L)
Shipping Weight	656 lbs (298 kg)
Annual Energy Usage	\$105 (867 kWh)

### FEATURES

#### Refrigerator

- 4 adjustable glass shelves
- High-humidity drawer with divider
- 2 storage drawers with divider
- 3 adjustable and 2 stationary door shelves
- Adjustable dairy compartment
- Air purification system

#### Freezer

- Automatic ice maker with dispenser
- 2 adjustable wire shelves
- 3 storage drawers
- 5 adjustable door shelves
- Water filtration system

## Accessories

### Grilles

FINISHED HEIGHT	NUMBER	MSRP
<b>Framed</b>		
83" (2108) Classic Louvered	7003521	\$430
88" (2235) Classic Louvered	7003525	\$520
<b>Overlay or Flush Inset</b>		
83" (2108) Grille Frame	7003533	\$305
84" (2134) Grille Frame	7007138	\$285
88" (2235) Grille Frame	7003537	\$285
<b>Stainless Steel</b>		
83" (2108) Pro Louvered	7003545	\$450
84" (2134) Pro Louvered	7007134	\$500
88" (2235) Pro Louvered	7003549	\$560

### Framed Application

DESCRIPTION	NUMBER	MSRP
Classic Louvered Insert*	7014852	\$220
<b>Handles (2)</b>		
Full-Length Standard	7014890	\$175
Full-Length Extended	7003465	\$205
<b>2-Panel Set</b>		
Stainless Steel	7005089	\$710
White Enamel	7005091	\$650
Partial Framed Kit	7004855	\$220

\*Slides into overlay grille, 84" (2134) finished height.

## Accessories

### Flush Inset Panels – Stainless Steel

DESCRIPTION	NUMBER	MSRP
<b>Grille*</b>		
Solid SS Panel	7008872	\$335
Pro Louvered	7020160	\$395
<b>Tubular Handle</b>		
Refrigerator Door Panel	7030225	\$860
Freezer Door Panel	7030224	\$780
<b>Pro Handle</b>		
Refrigerator Door Panel	7008929	\$860
Freezer Door Panel	7008926	\$780

\*84" (2134) finished height.

### Filters and Cartridges

DESCRIPTION	NUMBER	MSRP
<b>Replacement Filter</b>		
Water Filter	4204490	\$55
<b>Replacement Cartridge</b>		
Air Purification	7007067	\$55

### Miscellaneous

DESCRIPTION	NUMBER	MSRP
<b>Mounting Kits</b>		
Custom Front Panels	7020607	\$235
Custom Side Panel	7003407	\$115
<b>Side Panels</b>		
Stainless Steel (1)	7003408	\$785
White Enamel (1)	7003409	\$540
Stainless Steel Kickplate	7011049	\$45
Egg Container	7007506	\$30
90° Door Stop	7005865	N/C

## PRO Series Refrigeration

The only thing more impressive than its bold exterior is the groundbreaking technology and design found inside the reimagined PRO Series. Fitted with the most advanced preservation system, the PRO 48 and PRO 36 continue to fulfill our promise of keeping food fresher longer. Crafted with stainless steel inside and out, it checks all the boxes for those desiring the most luxurious, professional aesthetic. And now in a smaller width, it opens up new design opportunities for small and large kitchens alike. The PRO 36 and PRO 48 are available with or without a glass door and may be either built-in or freestanding.

- Can be used freestanding or installed as a standard or flush built-in application.
- Handles coordinate with Wolf ranges and Cove dishwashers.
- Stainless steel interior and exterior.
- Dual refrigeration system enhanced with dual evaporators allow independent control of storage conditions in refrigerator cabinet and drawer compartments.
- Advanced water filtration and air purification systems.
- Exterior touch control panels.
- Flip-up grille provides easy access for routine maintenance.
- All models are Star-K certified.

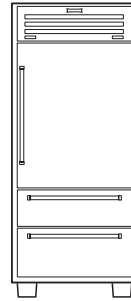
### MODEL NUMBER KEY

PRO Series Refrigeration	PRO
Glass Door	G
High Altitude Glass Door	A
Left-Hinge	-LH
Right-Hinge	-RH

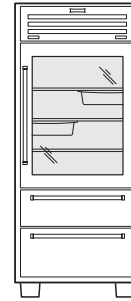
*Annual energy usage based on 12 cents per kilowatt hour.*

*Models PRO4850A and PRO3650A with high altitude glass door are available for installations above 5,000' (1524 m) in elevation.*

### PRO 36 Models

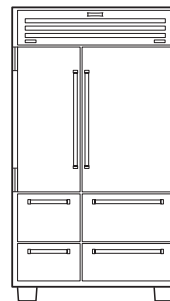


PRO3650

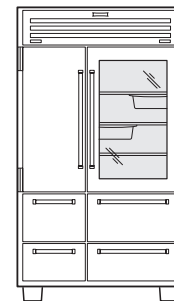


PRO3650G

### PRO 48 Models

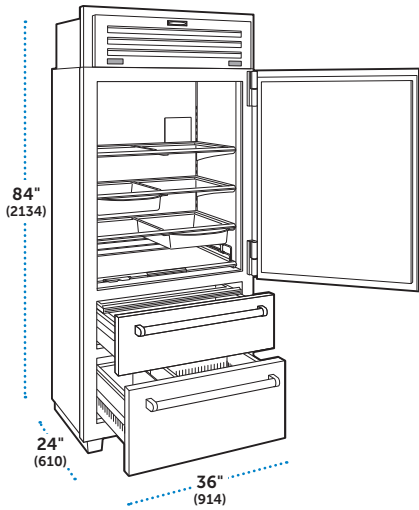


PRO4850



PRO4850G

# PRO Series Refrigeration



## 36" PRO Refrigerator/Freezer

MODEL	MSRP	UMRP
PRO3650	\$14,175	\$14,120

### SPECIFICATIONS

Overall Dimensions	36"W (914) x 84"H (2134) x 24"D (610)	
Refrigerator Capacity	18.4 cu ft (521 L)	
Freezer Capacity	4.3 cu ft (122 L)	
Shipping Weight	630 lbs (286 kg)	
Annual Energy Usage	\$80 (664 kWh)	

### FEATURES

#### Refrigerator

- 3 adjustable glass shelves
- 2 stainless steel slide-out bins
- Sliding glass shelf with folding gates
- 1 crisper drawer with cover
- Set of interchangeable drawer dividers
- Air purification system

#### Freezer

- Automatic ice maker
- Full-extension drawer
- Stainless steel ice bucket
- Water filtration system

## Accessories

### Stainless Steel Panels

DESCRIPTION	NUMBER	MSRP
Side Panel	9013058	\$630
Top Panel*	9013005	\$215
Kickplate	9013060	\$95

\*Requires at least one side panel for proper installation.

### Filters and Cartridges

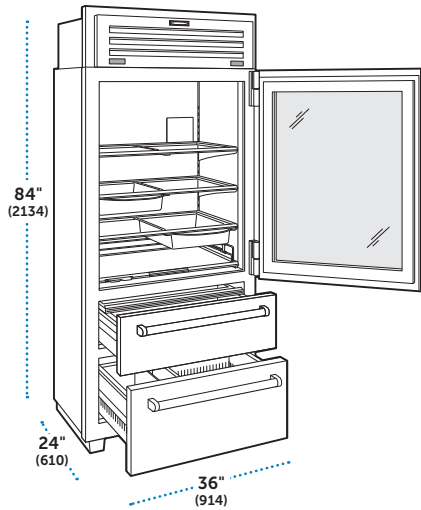
DESCRIPTION	NUMBER	MSRP
<b>Replacement Filter</b>		
Water Filter	4204490	\$55
<b>Replacement Cartridge</b>		
Air Purification	7007067	\$55

### Miscellaneous

DESCRIPTION	NUMBER	MSRP
Dual Installation Kit*	9013050	\$245
Slide-Out Bin	9013059	\$155
Drawer Divider Set	9018894	\$130
Slide-Out Shelf Gates (2)	9019829	\$75
Egg Container	7007506	\$30
90° Door Stop	0000046	N/C

\*Handle-to-handle installation only.

# PRO Series Refrigeration



## 36" PRO Refrigerator/Freezer with Glass Door

MODEL	MSRP	UMRP
PRO3650G	\$14,175	\$14,120

### SPECIFICATIONS

Overall Dimensions	36"W (914) x 84"H (2134) x 24"D (610)	
Refrigerator Capacity	18.4 cu ft (521 L)	
Freezer Capacity	4.3 cu ft (122 L)	
Shipping Weight	650 lbs (295 kg)	
Annual Energy Usage	\$80 (664 kWh)	

### FEATURES

#### Refrigerator

- 3 adjustable glass shelves
- 2 stainless steel slide-out bins
- Sliding glass shelf with folding gates
- 1 crisper drawer
- Crisper cover
- Set of interchangeable drawer dividers
- Triple-pane, UV-resistant glass door
- High altitude glass available
- Air purification system

#### Freezer

- Automatic ice maker
- Full-extension drawer
- Stainless steel ice bucket
- Water filtration system

## Accessories

### Stainless Steel Panels

DESCRIPTION	NUMBER	MSRP
Side Panel	9013058	\$630
Top Panel*	9013005	\$215
Kickplate	9013060	\$95

\*Requires at least one side panel for proper installation.

### Filters and Cartridges

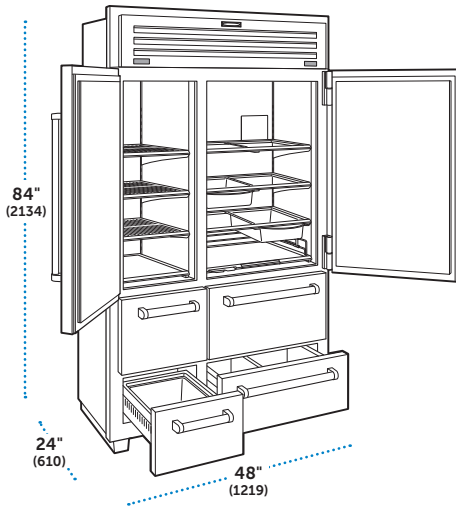
DESCRIPTION	NUMBER	MSRP
<b>Replacement Filter</b>		
Water Filter	4204490	\$55
<b>Replacement Cartridge</b>		
Air Purification	7007067	\$55

### Miscellaneous

DESCRIPTION	NUMBER	MSRP
Dual Installation Kit*	9013050	\$245
Slide-Out Bin	9013059	\$155
Drawer Divider Set	9018894	\$130
Slide-Out Shelf Gates (2)	9019829	\$75
Egg Container	7007506	\$30
90° Door Stop	0000046	N/C

\*Handle-to-handle installation only.

# PRO Series Refrigeration



## 48" PRO Refrigerator/Freezer

MODEL	MSRP	UMRP
PRO4850	\$18,235	\$18,159

### SPECIFICATIONS

Overall Dimensions	48"W (1219) x 84"H (2134) x 24"D (610)	
Refrigerator Capacity	18.7 cu ft (530 L)	
Freezer Capacity	11.7 cu ft (332 L)	
Shipping Weight	860 lbs (390 kg)	
Annual Energy Usage	\$101 (841 kWh)	

### FEATURES

#### Refrigerator

- 3 adjustable glass shelves
- 2 stainless steel slide-out bins
- Sliding glass shelf with folding gates
- 2 storage drawers
- Crisper cover
- Set of interchangeable drawer dividers
- Air purification system

#### Freezer

- Automatic ice maker
- 3 adjustable stainless steel shelves
- 2 storage drawers
- Stainless steel ice bucket
- Water filtration system

## Accessories

### Stainless Steel Panels

DESCRIPTION	NUMBER	MSRP
Side Panel	9013058	\$630
Top Panel*	9013057	\$255
Kickplate	9013060	\$95

\*Requires at least one side panel for proper installation.

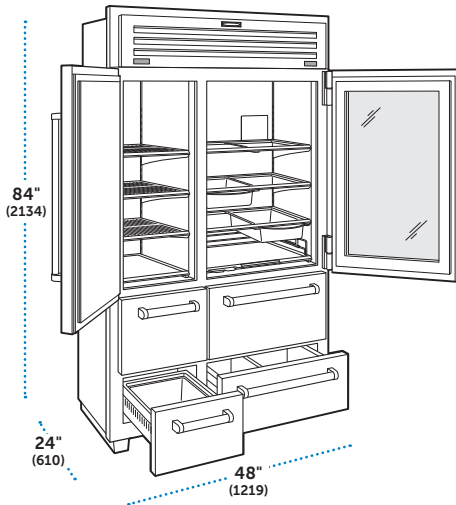
### Filters and Cartridges

DESCRIPTION	NUMBER	MSRP
<b>Replacement Filter</b>		
Water Filter	4204490	\$55
<b>Replacement Cartridge</b>		
Air Purification	7007067	\$55

### Miscellaneous

DESCRIPTION	NUMBER	MSRP
Slide-Out Bin	0000045	\$155
Drawer Divider Set	9018893	\$130
Slide-Out Shelf Gates (2)	9019829	\$75
Egg Container	7007506	\$30
90° Door Stop	0000046	N/C

# PRO Series Refrigeration



## 48" PRO Refrigerator/Freezer with Glass Door

MODEL	MSRP	UMRP
PRO4850G	\$18,235	\$18,159

### SPECIFICATIONS

Overall Dimensions	48"W (1219) x 84"H (2134) x 24"D (610)	
Refrigerator Capacity	18.7 cu ft (530 L)	
Freezer Capacity	11.7 cu ft (332 L)	
Shipping Weight	880 lbs (399 kg)	
Annual Energy Usage	\$101 (841 kWh)	

### FEATURES

#### Refrigerator

- 3 adjustable glass shelves
- 2 stainless steel slide-out bins
- Sliding glass shelf with folding gates
- 2 storage drawers
- Crisper cover
- Set of interchangeable drawer dividers
- Triple-pane, UV-resistant glass door
- High altitude glass available
- Air purification system

#### Freezer

- Automatic ice maker
- 3 adjustable stainless steel shelves
- 2 storage drawers
- Stainless steel ice bucket
- Water filtration system

## Accessories

### Stainless Steel Panels

DESCRIPTION	NUMBER	MSRP
Side Panel	9013058	\$630
Top Panel*	9013057	\$255
Kickplate	9013060	\$95

\*Requires at least one side panel for proper installation.

### Filters and Cartridges

DESCRIPTION	NUMBER	MSRP
<b>Replacement Filter</b>		
Water Filter	4204490	\$55
<b>Replacement Cartridge</b>		
Air Purification	7007067	\$55

### Miscellaneous

DESCRIPTION	NUMBER	MSRP
Slide-Out Bin	0000045	\$155
Drawer Divider Set	9018893	\$130
Slide-Out Shelf Gates (2)	9019829	\$75
Egg Container	7007506	\$30
90° Door Stop	0000046	N/C

# Designer Series Refrigeration

## Designer Series Refrigeration

Sub-Zero Designer Series models are installed flush to merge seamlessly into their surroundings, making them as practical and beautiful in the master suite, bar, or theatre as in the kitchen. For a more traditional look, Designer Series units can be fitted with stainless steel accessory panels.

### MODEL NUMBER KEY

Designer Series Column	IC
Designer Series Tall	IT
Designer Series Drawers	ID
All Refrigerator	R
All Freezer	F
Combination Refrigerator/Freezer	C
Internal Dispenser	ID
Ice Maker	I
Outdoor Model	O
Right-Hinge	-RH
Left-Hinge	-LH

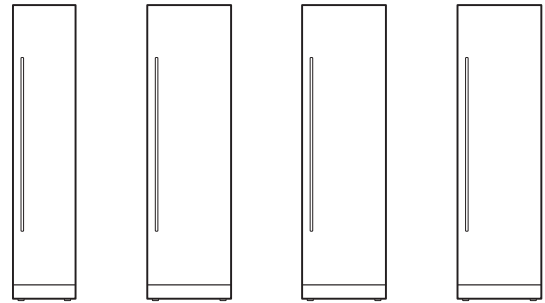
Models are shown with stainless steel panels and tubular handles.

Specify right-hinge (-RH) or left-hinge (-LH) door when ordering, excludes drawer models.

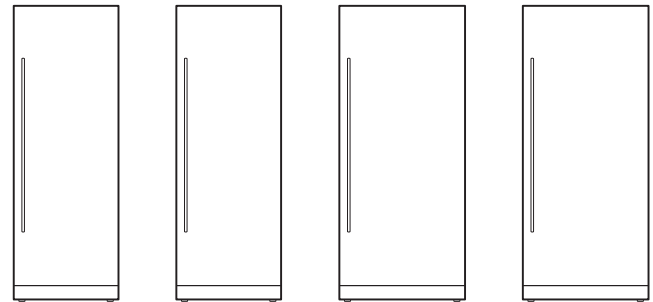
Overall dimensions do not include panels or handles. Dimensions will vary with panel thickness.

Annual energy usage is based on 12 cents per kilowatt hour.

### Column Models



IC-18FI IC-24R IC-24FI IC-24C(I)



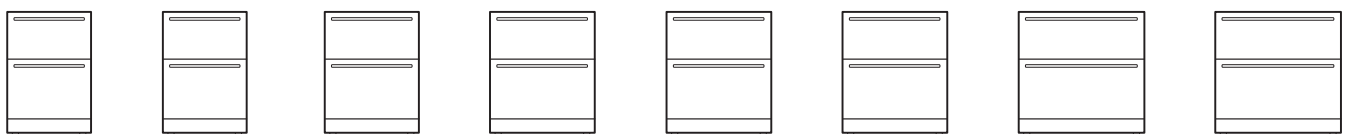
IC-30R(ID) IC-30FI IC-36R(ID) IC-36FI

### Tall Models

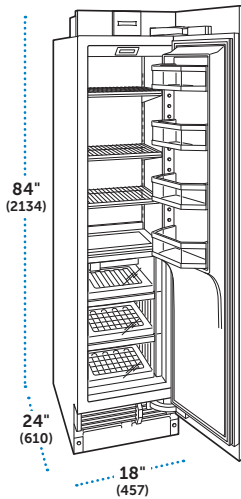


IT-30R(ID) IT-30FI IT-30CI(ID) IT-36R(ID) IT-36CI(ID)

### Drawer Models



ID-24R(O) ID-24F(I) ID-27R ID-30R ID-30F(I) ID-30C(I) ID-36R ID-36C(I)



## 18" All Freezer – Column

MODEL	MSRP	UMRP
IC-18FI	\$7,240	\$7,240

### SPECIFICATIONS

Overall Dimensions	18"W (457) x 84"H (2134) x 24"D (610)	
Freezer Capacity	8.4 cu ft (238 L)	
Shipping Weight	260 lbs (118 kg)	
Annual Energy Usage	\$59 (490 kWh)	

### FEATURES

- 3 adjustable wire shelves
- 3 storage drawers
- 4 adjustable door shelves
- Automatic ice maker
- Water filtration system

## Accessories

### Stainless Steel Door Panels

DESCRIPTION	NUMBER	MSRP
<b>84" (2134) Fin Height – 4" (102) Toe Kick</b>		
Tubular Handle / RH	7025372	\$565
Tubular Handle / LH	7025373	\$565
Pro Handle / RH	7025324	\$565
Pro Handle / LH	7025325	\$565
<b>84" (2134) Fin Height – 6" (152) Toe Kick</b>		
Tubular Handle / RH	7025374	\$565
Tubular Handle / LH	7025375	\$565
Pro Handle / RH	7025326	\$565
Pro Handle / LH	7025327	\$565

### Dual Installation

DESCRIPTION	NUMBER	MSRP
<b>Dual Installation Kits</b>		
Handle-to-Handle	7023628	\$245
Handle-to-Hinge	7029829	\$245
Hinge-to-Hinge	7029830	\$245
<b>Kickplates*</b>		
36" (914) Stainless Steel	7026837	\$55
42" (1067) Stainless Steel	7027399	\$55
48" (1219) Stainless Steel	7026838	\$55
54" (1372) Stainless Steel	7026839	\$55

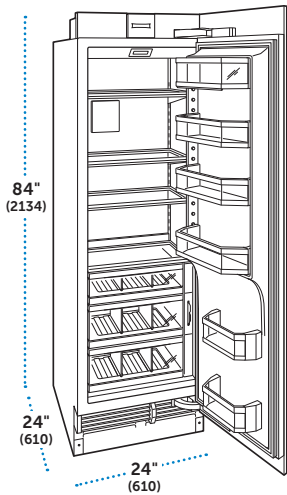
\*Will accommodate 4" (102) and 6" (152) toe kick heights.

### Miscellaneous

DESCRIPTION	NUMBER	MSRP
<b>Enclosure Panels</b>		
Stainless Steel Side (1)*	7031340	\$1,010
Stainless Steel Top	7031341	\$390
Reduced Toe Kick Divider**	7029956	\$45
Water Filter	4204490	\$55

\*Two side enclosures are required to install top enclosure.

\*\*Required for toekicks from 3<sup>7</sup>/<sub>8</sub>" (98) to 2" (51).



## 24" All Refrigerator – Column

MODEL	MSRP	UMRP
IC-24R	\$7,505	\$7,505

### SPECIFICATIONS

Overall Dimensions	24"W (610) x 84"H (2134) x 24"D (610)	
Refrigerator Capacity	12.9 cu ft (365 L)	
Shipping Weight	340 lbs (154 kg)	
Annual Energy Usage	\$36 (298 kWh)	

### FEATURES

- 3 adjustable glass shelves
- 2 high humidity crisper drawers with dividers
- Deli drawer with dividers
- 3 adjustable and 2 stationary door shelves
- Adjustable dairy compartment
- Air purification system

## Accessories

### Stainless Steel Door Panels

DESCRIPTION	NUMBER	MSRP
<b>84" (2134) Fin Height – 4" (102) Toe Kick</b>		
Tubular Handle / RH	7023710	\$675
Tubular Handle / LH	7023711	\$675
Pro Handle / RH	7025320	\$675
Pro Handle / LH	7025321	\$675
<b>84" (2134) Fin Height – 6" (152) Toe Kick</b>		
Tubular Handle / RH	7025370	\$675
Tubular Handle / LH	7025371	\$675
Pro Handle / RH	7025322	\$675
Pro Handle / LH	7025323	\$675

### Dual Installation

DESCRIPTION	NUMBER	MSRP
<b>Dual Installation Kits</b>		
Handle-to-Handle	7023628	\$245
Handle-to-Hinge	7029829	\$245
Hinge-to-Hinge	7029830	\$245
<b>Kickplates*</b>		
42" (1067) Stainless Steel	7027399	\$55
48" (1219) Stainless Steel	7026838	\$55
54" (1372) Stainless Steel	7026839	\$55
60" (1524) Stainless Steel	7026840	\$65

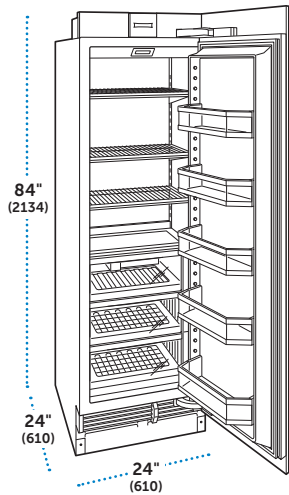
\*Will accommodate 4" (102) and 6" (152) toe kick heights.

### Miscellaneous

DESCRIPTION	NUMBER	MSRP
<b>Enclosure Panels</b>		
Stainless Steel Side (1)*	7031340	\$1,010
Stainless Steel Top	7031342	\$430
Reduced Toe Kick Divider**	7029956	\$45
Egg Container	7007506	\$30
Air Purification Cartridge	7007067	\$55

\*Two side enclosures are required to install top enclosure.

\*\*Required for toekicks from 3<sup>7</sup>/<sub>8</sub>" (98) to 2" (51).



## 24" All Freezer – Column

MODEL	MSRP	UMRP
IC-24FI	\$7,670	\$7,670

### SPECIFICATIONS

Overall Dimensions	24"W (610) x 84"H (2134) x 24"D (610)	
Freezer Capacity	12.3 cu ft (348 L)	
Shipping Weight	340 lbs (154 kg)	
Annual Energy Usage	\$67 (558 kWh)	

### FEATURES

- 3 adjustable wire shelves
- 3 storage drawers
- 5 adjustable door shelves
- Automatic ice maker
- Water filtration system

## Accessories

### Stainless Steel Door Panels

DESCRIPTION	NUMBER	MSRP
<b>84" (2134) Fin Height – 4" (102) Toe Kick</b>		
Tubular Handle / RH	7023710	\$675
Tubular Handle / LH	7023711	\$675
Pro Handle / RH	7025320	\$675
Pro Handle / LH	7025321	\$675
<b>84" (2134) Fin Height – 6" (152) Toe Kick</b>		
Tubular Handle / RH	7025370	\$675
Tubular Handle / LH	7025371	\$675
Pro Handle / RH	7025322	\$675
Pro Handle / LH	7025323	\$675

### Dual Installation

DESCRIPTION	NUMBER	MSRP
<b>Dual Installation Kits</b>		
Handle-to-Handle	7023628	\$245
Handle-to-Hinge	7029829	\$245
Hinge-to-Hinge	7029830	\$245
<b>Kickplates*</b>		
42" (1067) Stainless Steel	7027399	\$55
48" (1219) Stainless Steel	7026838	\$55
54" (1372) Stainless Steel	7026839	\$55
60" (1524) Stainless Steel	7026840	\$65

\*Will accommodate 4" (102) and 6" (152) toe kick heights.

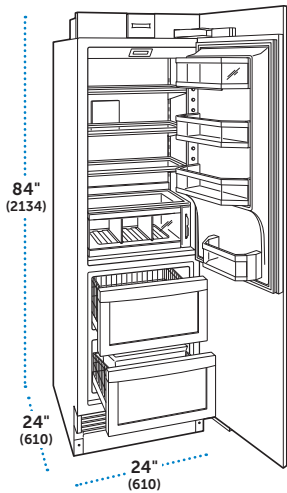
### Miscellaneous

DESCRIPTION	NUMBER	MSRP
<b>Enclosure Panels</b>		
Stainless Steel Side (1)*	7031340	\$1,010
Stainless Steel Top	7031342	\$430
Reduced Toe Kick Divider**	7029956	\$45
Water Filter	4204490	\$55

\*Two side enclosures are required to install top enclosure.

\*\*Required for toekicks from 3<sup>7</sup>/<sub>8</sub>" (98) to 2" (51).

# Designer Series Refrigeration



## 24" Combination – Column

MODEL	MSRP	UMRP
IC-24C	\$7,355	\$7,355
IC-24CI	\$7,515	\$7,515

### SPECIFICATIONS

Overall Dimensions	24"W (610) x 84"H (2134) x 24"D (610)	
Refrigerator Capacity	8.0 cu ft (227 L)	
Freezer Capacity	3.1 cu ft (88 L)	
Shipping Weight	260 lbs (118 kg)	
Annual Energy Usage	IC-24C \$48 (400 kWh) IC-24CI \$60 (500 kWh)	

### FEATURES

- 3 adjustable glass shelves
- 1 high humidity crisper drawer with dividers
- 2 adjustable and 1 stationary door shelves
- Adjustable dairy compartment
- Air purification system
- Automatic ice maker (IC-24CI)
- Water filtration system (IC-24CI)

## Accessories

### Stainless Steel Door Panels

DESCRIPTION	NUMBER	MSRP
<b>84" (2134) Fin Height – 4" (102) Toe Kick</b>		
Tubular Handle / RH	7023710	\$675
Tubular Handle / LH	7023711	\$675
Pro Handle / RH	7025320	\$675
Pro Handle / LH	7025321	\$675
<b>84" (2134) Fin Height – 6" (152) Toe Kick</b>		
Tubular Handle / RH	7025370	\$675
Tubular Handle / LH	7025371	\$675
Pro Handle / RH	7025322	\$675
Pro Handle / LH	7025323	\$675

### Dual Installation

DESCRIPTION	NUMBER	MSRP
<b>Dual Installation Kits</b>		
Handle-to-Handle	7023628	\$245
Handle-to-Hinge	7029829	\$245
Hinge-to-Hinge	7029830	\$245
<b>Kickplates*</b>		
42" (1067) Stainless Steel	7027399	\$55
48" (1219) Stainless Steel	7026838	\$55
54" (1372) Stainless Steel	7026839	\$55
60" (1524) Stainless Steel	7026840	\$65

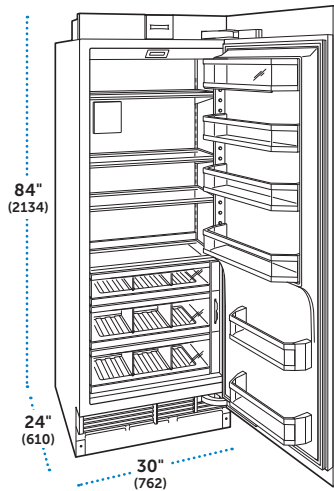
\*Will accommodate 4" (102) and 6" (152) toe kick heights.

### Miscellaneous

DESCRIPTION	NUMBER	MSRP
<b>Enclosure Panels</b>		
Stainless Steel Side (1)*	7031340	\$1,010
Stainless Steel Top	7031342	\$430
Reduced Toe Kick Divider**	7029956	\$45
Egg Container	7007506	\$30
Air Purification Cartridge	7007067	\$55
Water Filter	4204490	\$55

\*Two side enclosures are required to install top enclosure.

\*\*Required for toekicks from 3<sup>3</sup>/<sub>8</sub>" (98) to 2" (51).



## 30" All Refrigerator – Column

MODEL	MSRP	UMRP
IC-30R	\$7,940	\$7,940
IC-30RID	\$8,315	\$8,315

### SPECIFICATIONS

Overall Dimensions	30"W (762) x 84"H (2134) x 24"D (610)	
Refrigerator Capacity	17.3 cu ft (490 L)	
Shipping Weight	400 lbs (181 kg)	
Annual Energy Usage	\$40 (330 kWh)	

### FEATURES

- 3 adjustable glass shelves
- 2 high humidity crisper drawers with dividers
- Deli drawer with dividers
- 3 adjustable and 2 stationary door shelves
- Adjustable dairy compartment
- Air purification system
- Internal water dispenser (IC-30RID)
- Water filtration system (IC-30RID)

## Accessories

### Stainless Steel Door Panels

DESCRIPTION	NUMBER	MSRP
<b>84" (2134) Fin Height – 4" (102) Toe Kick</b>		
Tubular Handle / RH	7023626	\$785
Tubular Handle / LH	7023627	\$785
Pro Handle / RH	7025304	\$785
Pro Handle / LH	7025305	\$785
<b>84" (2134) Fin Height – 6" (152) Toe Kick</b>		
Tubular Handle / RH	7025364	\$785
Tubular Handle / LH	7025365	\$785
Pro Handle / RH	7025306	\$785
Pro Handle / LH	7025307	\$785

### Dual Installation

DESCRIPTION	NUMBER	MSRP
<b>Dual Installation Kits</b>		
Handle-to-Handle	7023628	\$245
Handle-to-Hinge	7029829	\$245
Hinge-to-Hinge	7029830	\$245
<b>Kickplates*</b>		
48" (1219) Stainless Steel	7026838	\$55
54" (1372) Stainless Steel	7026839	\$55
60" (1524) Stainless Steel	7026840	\$65
66" (1676) Stainless Steel	7026841	\$75

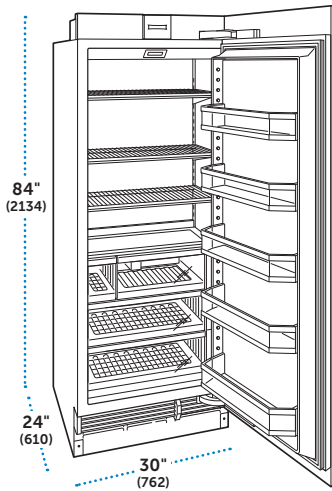
\*Will accommodate 4" (102) and 6" (152) toe kick heights.

### Miscellaneous

DESCRIPTION	NUMBER	MSRP
<b>Enclosure Panels</b>		
Stainless Steel Side (1)*	7031340	\$1,010
Stainless Steel Top	7031343	\$460
Reduced Toe Kick Divider**	7029956	\$45
Egg Container	7007506	\$30
Water Filter	4204490	\$55
Air Purification Cartridge	7007067	\$55

\*Two side enclosures are required to install top enclosure.

\*\*Required for toekicks from 3 7/8" (98) to 2" (51).



## 30" All Freezer – Column

MODEL	MSRP	UMRP
IC-30FI	\$8,105	\$8,105

### SPECIFICATIONS

Overall Dimensions	30"W (762) x 84"H (2134) x 24"D (610)	
Freezer Capacity	15.3 cu ft (433 L)	
Shipping Weight	400 lbs (181 kg)	
Annual Energy Usage	\$67 (557 kWh)	

### FEATURES

- 3 adjustable wire shelves
- 3 storage drawers
- 5 adjustable door shelves
- Automatic ice maker
- Water filtration system

## Accessories

### Stainless Steel Door Panels

DESCRIPTION	NUMBER	MSRP
<b>84" (2134) Fin Height – 4" (102) Toe Kick</b>		
Tubular Handle / RH	7023626	\$785
Tubular Handle / LH	7023627	\$785
Pro Handle / RH	7025304	\$785
Pro Handle / LH	7025305	\$785
<b>84" (2134) Fin Height – 6" (152) Toe Kick</b>		
Tubular Handle / RH	7025364	\$785
Tubular Handle / LH	7025365	\$785
Pro Handle / RH	7025306	\$785
Pro Handle / LH	7025307	\$785

### Dual Installation

DESCRIPTION	NUMBER	MSRP
<b>Dual Installation Kits</b>		
Handle-to-Handle	7023628	\$245
Handle-to-Hinge	7029829	\$245
Hinge-to-Hinge	7029830	\$245
<b>Kickplates*</b>		
48" (1219) Stainless Steel	7026838	\$55
54" (1372) Stainless Steel	7026839	\$55
60" (1524) Stainless Steel	7026840	\$65
66" (1676) Stainless Steel	7026841	\$75

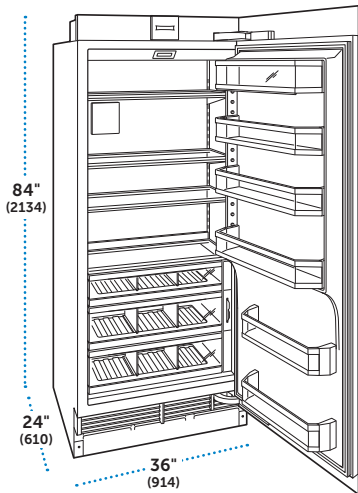
\*Will accommodate 4" (102) and 6" (152) toe kick heights.

### Miscellaneous

DESCRIPTION	NUMBER	MSRP
<b>Enclosure Panels</b>		
Stainless Steel Side (1)*	7031340	\$1,010
Stainless Steel Top	7031343	\$460
Reduced Toe Kick Divider**	7029956	\$45
Water Filter	4204490	\$55

\*Two side enclosures are required to install top enclosure.

\*\*Required for toekicks from 3<sup>7</sup>/<sub>8</sub>" (98) to 2" (51).



## 36" All Refrigerator – Column

MODEL	MSRP	UMRP
IC-36R	\$8,370	\$8,370
IC-36RID	\$8,745	\$8,745

### SPECIFICATIONS

Overall Dimensions	36"W (914) x 84"H (2134) x 24"D (610)	
Refrigerator Capacity	21.4 cu ft (606 L)	
Shipping Weight	460 lbs (209 kg)	
Annual Energy Usage	\$44 (360 kWh)	

### FEATURES

- 3 adjustable glass shelves
- 2 high humidity crisper drawers with dividers
- Deli drawer with dividers
- 3 adjustable and 2 stationary door shelves
- Adjustable dairy compartment
- Air purification system
- Internal water dispenser (IC-36RID)
- Water filtration system (IC-36RID)

## Accessories

### Stainless Steel Door Panels

DESCRIPTION	NUMBER	MSRP
<b>84" (2134) Fin Height – 4" (102) Toe Kick</b>		
Tubular Handle / RH	7025366	\$890
Tubular Handle / LH	7025367	\$890
Pro Handle / RH	7025316	\$890
Pro Handle / LH	7025317	\$890
<b>84" (2134) Fin Height – 6" (152) Toe Kick</b>		
Tubular Handle / RH	7025368	\$890
Tubular Handle / LH	7025369	\$890
Pro Handle / RH	7025318	\$890
Pro Handle / LH	7025319	\$890

### Dual Installation

DESCRIPTION	NUMBER	MSRP
<b>Dual Installation Kits</b>		
Handle-to-Handle	7023628	\$245
Handle-to-Hinge	7029829	\$245
Hinge-to-Hinge	7029830	\$245
<b>Kickplates*</b>		
54" (1372) Stainless Steel	7026839	\$55
60" (1524) Stainless Steel	7026840	\$65
66" (1676) Stainless Steel	7026841	\$75
72" (1829) Stainless Steel	7026842	\$75

\*Will accommodate 4" (102) and 6" (152) toe kick heights.

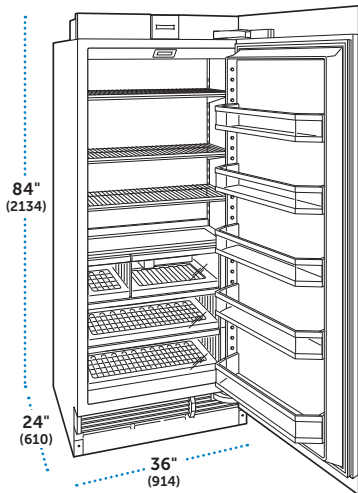
### Miscellaneous

DESCRIPTION	NUMBER	MSRP
<b>Enclosure Panels</b>		
Stainless Steel Side (1)*	7031340	\$1,010
Stainless Steel Top	7031344	\$510
Reduced Toe Kick Divider**	7029956	\$45
Egg Container	7007506	\$30
Water Filter	4204490	\$55
Air Purification Cartridge	7007067	\$55

\*Two side enclosures are required to install top enclosure.

\*\*Required for toekicks from 3<sup>7</sup>/<sub>8</sub>" (98) to 2" (51).

# Designer Series Refrigeration



## 36" All Freezer – Column

MODEL	MSRP	UMRP
IC-36FI	\$8,535	\$8,535

### SPECIFICATIONS

Overall Dimensions	36"W (914) x 84"H (2134) x 24"D (610)	
Freezer Capacity	20.0 cu ft (566 L)	
Shipping Weight	460 lbs (209 kg)	
Annual Energy Usage	\$76 (631 kWh)	

### FEATURES

- 3 adjustable wire shelves
- 3 storage drawers
- 5 adjustable door shelves
- Automatic ice maker
- Water filtration system

## Accessories

### Stainless Steel Door Panels

DESCRIPTION	NUMBER	MSRP
<b>84" (2134) Fin Height – 4" (102) Toe Kick</b>		
Tubular Handle / RH	7025366	\$890
Tubular Handle / LH	7025367	\$890
Pro Handle / RH	7025316	\$890
Pro Handle / LH	7025317	\$890
<b>84" (2134) Fin Height – 6" (152) Toe Kick</b>		
Tubular Handle / RH	7025368	\$890
Tubular Handle / LH	7025369	\$890
Pro Handle / RH	7025318	\$890
Pro Handle / LH	7025319	\$890

### Dual Installation

DESCRIPTION	NUMBER	MSRP
<b>Dual Installation Kits</b>		
Handle-to-Handle	7023628	\$245
Handle-to-Hinge	7029829	\$245
Hinge-to-Hinge	7029830	\$245
<b>Kickplates*</b>		
54" (1372) Stainless Steel	7026839	\$55
60" (1524) Stainless Steel	7026840	\$65
66" (1676) Stainless Steel	7026841	\$75
72" (1829) Stainless Steel	7026842	\$75

\*Will accommodate 4" (102) and 6" (152) toe kick heights.

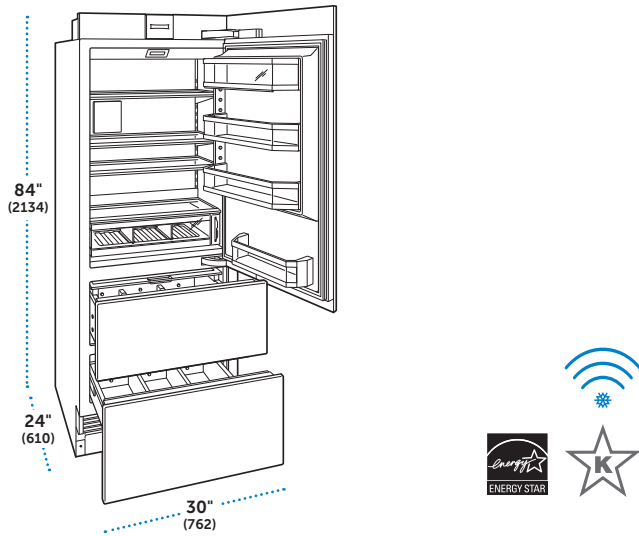
### Miscellaneous

DESCRIPTION	NUMBER	MSRP
<b>Enclosure Panels</b>		
Stainless Steel Side (1)*	7031340	\$1,010
Stainless Steel Top	7031344	\$510
Reduced Toe Kick Divider**	7029956	\$45
Water Filter	4204490	\$55

\*Two side enclosures are required to install top enclosure.

\*\*Required for toekicks from 3<sup>7</sup>/<sub>8</sub>" (98) to 2" (51).

# Designer Series Refrigeration



## 30" All Refrigerator – Tall

MODEL	MSRP	UMRP
IT-30R	\$8,445	\$8,445
IT-30RID	\$8,820	\$8,820

### SPECIFICATIONS

Overall Dimensions	30"W (762) x 84"H (2134) x 24"D (610)
Refrigerator Capacity	16.5 cu ft (467 L)
Shipping Weight	400 lbs (181 kg)
Annual Energy Usage	\$39 (324 kWh)

### FEATURES

- 3 adjustable glass shelves
- Deli drawer with dividers
- High humidity crisper drawer with sliding cover and dividers
- Refrigerator storage drawer with dividers
- 1 stationary and 2 adjustable door shelves
- Adjustable dairy compartment
- Air purification system
- Internal water dispenser (IT-30RID)
- Water filtration system (IT-30RID)

## Accessories

### Stainless Steel Door Panels

DESCRIPTION	NUMBER	MSRP
<b>84" (2134) Finished Height</b>		
Tubular Handle / RH	7023706	\$675
Tubular Handle / LH	7023707	\$675
Pro Handle / RH	7025312	\$675
Pro Handle / LH	7025313	\$675

### Stainless Steel Drawer Panels (2-panel set)

DESCRIPTION	NUMBER	MSRP
<b>4" (102) Toe Kick</b>		
Tubular Handle	7023702	\$565
Pro Handle	7025308	\$565
<b>6" (152) Toe Kick</b>		
Tubular Handle	7023703	\$565
Pro Handle	7025309	\$565

### Dual Installation

DESCRIPTION	NUMBER	MSRP
<b>Dual Installation Kits</b>		
Handle-to-Handle	7023628	\$245
Handle-to-Hinge	7029829	\$245
Hinge-to-Hinge	7029830	\$245
<b>Kickplates*</b>		
48" (1219) Stainless Steel	7026838	\$55
54" (1372) Stainless Steel	7026839	\$55
60" (1524) Stainless Steel	7026840	\$65
66" (1676) Stainless Steel	7026841	\$75

\*Will accommodate 4" (102) and 6" (152) toe kick heights.

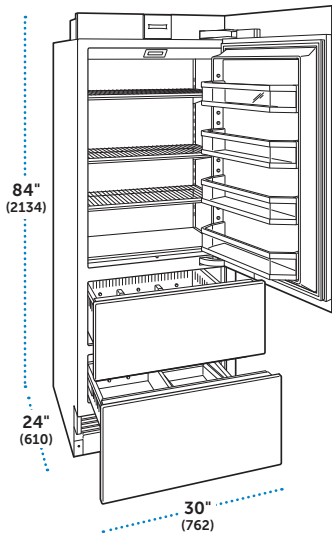
### Miscellaneous

DESCRIPTION	NUMBER	MSRP
<b>Enclosure Panels</b>		
Stainless Steel Side (1)*	7031340	\$1,010
Stainless Steel Top	7031343	\$460
<b>Mounting Kit</b>		
Drawer Panel Support	7028082	\$15
Reduced Toe Kick Divider**	7029956	\$45
Egg Container	7007506	\$30
Water Filter	4204490	\$55
Air Purification Cartridge	7007067	\$55

\*Two side enclosures are required to install top enclosure.

\*\*Required for toekicks from 3 7/8" (98) to 2" (51).

# Designer Series Refrigeration



## 30" All Freezer – Tall

MODEL	MSRP	UMRP
IT-30FI	\$8,545	\$8,545

### SPECIFICATIONS

Overall Dimensions	30"W (762) x 84"H (2134) x 24"D (610)
Freezer Capacity	15.1 cu ft (428 L)
Shipping Weight	400 lbs (181 kg)
Annual Energy Usage	\$73 (606 kWh)

### FEATURES

- 3 adjustable wire shelves
- 2 freezer storage drawers with dividers
- 4 adjustable door shelves
- Automatic ice maker
- Water filtration system

## Accessories

### Stainless Steel Door Panels

DESCRIPTION	NUMBER	MSRP
<b>84" (2134) Finished Height</b>		
Tubular Handle / RH	7023706	\$675
Tubular Handle / LH	7023707	\$675
Pro Handle / RH	7025312	\$675
Pro Handle / LH	7025313	\$675

### Stainless Steel Drawer Panels (2-panel set)

DESCRIPTION	NUMBER	MSRP
<b>4" (102) Toe Kick</b>		
Tubular Handle	7023702	\$565
Pro Handle	7025308	\$565
<b>6" (152) Toe Kick</b>		
Tubular Handle	7023703	\$565
Pro Handle	7025309	\$565

### Dual Installation

DESCRIPTION	NUMBER	MSRP
<b>Dual Installation Kits</b>		
Handle-to-Handle	7023628	\$245
Handle-to-Hinge	7029829	\$245
Hinge-to-Hinge	7029830	\$245
<b>Kickplates*</b>		
48" (1219) Stainless Steel	7026838	\$55
54" (1372) Stainless Steel	7026839	\$55
60" (1524) Stainless Steel	7026840	\$65
66" (1676) Stainless Steel	7026841	\$75

\*Will accommodate 4" (102) and 6" (152) toe kick heights.

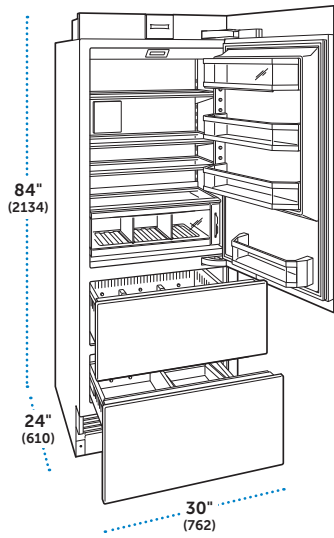
### Miscellaneous

DESCRIPTION	NUMBER	MSRP
<b>Enclosure Panels</b>		
Stainless Steel Side (1)*	7031340	\$1,010
Stainless Steel Top	7031343	\$460
<b>Mounting Kit</b>		
Drawer Panel Support	7028082	\$15
Reduced Toe Kick Divider**	7029956	\$45
Water Filter	4204490	\$55

\*Two side enclosures are required to install top enclosure.

\*\*Required for toekicks from 37/8" (98) to 2" (51).

# Designer Series Refrigeration



## 30" Combination – Tall

MODEL	MSRP	UMRP
IT-30CI	\$8,645	\$8,645
IT-30CIID	\$9,020	\$9,020

### SPECIFICATIONS

Overall Dimensions	30"W (762) x 84"H (2134) x 24"D (610)
Refrigerator Capacity	10.6 cu ft (300 L)
Freezer Capacity	5.0 cu ft (142 L)
Shipping Weight	400 lbs (181 kg)
Annual Energy Usage	\$67 (551 kWh)

### FEATURES

#### Refrigerator

- 2 temperature zones
- 3 adjustable glass shelves
- High humidity crisper drawer with dividers
- 1 stationary and 2 adjustable door shelves
- Adjustable dairy compartment
- Air purification system
- Internal water dispenser (IT-30CIID)
- Water filtration system

#### Freezer

- 2 freezer storage drawers with dividers
- Automatic ice maker

## Accessories

### Stainless Steel Door Panels

DESCRIPTION	NUMBER	MSRP
<b>84" (2134) Finished Height</b>		
Tubular Handle / RH	7023706	\$675
Tubular Handle / LH	7023707	\$675
Pro Handle / RH	7025312	\$675
Pro Handle / LH	7025313	\$675

### Stainless Steel Drawer Panels (2-panel set)

DESCRIPTION	NUMBER	MSRP
<b>4" (102) Toe Kick</b>		
Tubular Handle	7023702	\$565
Pro Handle	7025308	\$565
<b>6" (152) Toe Kick</b>		
Tubular Handle	7023703	\$565
Pro Handle	7025309	\$565

### Dual Installation

DESCRIPTION	NUMBER	MSRP
<b>Dual Installation Kits</b>		
Handle-to-Handle	7023628	\$245
Handle-to-Hinge	7029829	\$245
Hinge-to-Hinge	7029830	\$245
<b>Kickplates*</b>		
48" (1219) Stainless Steel	7026838	\$55
54" (1372) Stainless Steel	7026839	\$55
60" (1524) Stainless Steel	7026840	\$65
66" (1676) Stainless Steel	7026841	\$75

\*Will accommodate 4" (102) and 6" (152) toe kick heights.

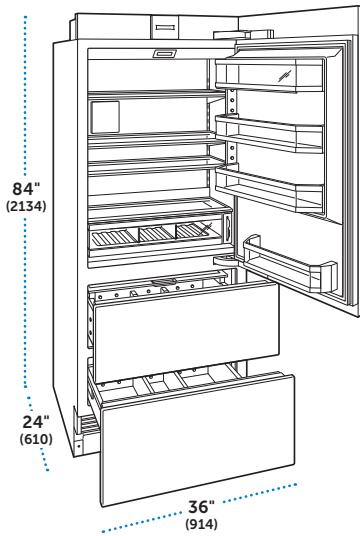
### Miscellaneous

DESCRIPTION	NUMBER	MSRP
<b>Enclosure Panels</b>		
Stainless Steel Side (1)*	7031340	\$1,010
Stainless Steel Top	7031343	\$460
<b>Mounting Kit</b>		
Drawer Panel Support	7028082	\$15
Reduced Toe Kick Divider**	7029956	\$45
Egg Container	7007506	\$30
Water Filter	4204490	\$55
Air Purification Cartridge	7007067	\$55

\*Two side enclosures are required to install top enclosure.

\*\*Required for toekicks from 3 7/8" (98) to 2" (51).

# Designer Series Refrigeration



## 36" All Refrigerator – Tall

MODEL	MSRP	UMRP
IT-36R	\$8,875	\$8,875
IT-36RID	\$9,250	\$9,250

### SPECIFICATIONS

Overall Dimensions	36"W (914) x 84"H (2134) x 24"D (610)
Refrigerator Capacity	20.5 cu ft (581 L)
Shipping Weight	460 lbs (209 kg)
Annual Energy Usage	\$43 (353 kWh)

### FEATURES

- 3 adjustable glass shelves
- Deli drawer with dividers
- High humidity crisper drawer with sliding cover and dividers
- Refrigerator storage drawer with dividers
- 1 stationary and 2 adjustable door shelves
- Adjustable dairy compartment
- Air purification system
- Internal water dispenser (IT-36RID)
- Water filtration system (IT-36RID)

## Accessories

### Stainless Steel Door Panels

DESCRIPTION	NUMBER	MSRP
<b>84" (2134) Finished Height</b>		
Tubular Handle / RH	7023708	\$755
Tubular Handle / LH	7023709	\$755
Pro Handle / RH	7025314	\$755
Pro Handle / LH	7025315	\$755

### Stainless Steel Drawer Panels (2-panel set)

DESCRIPTION	NUMBER	MSRP
<b>4" (102) Toe Kick</b>		
Tubular Handle	7023704	\$595
Pro Handle	7025310	\$595
<b>6" (152) Toe Kick</b>		
Tubular Handle	7023705	\$595
Pro Handle	7025311	\$595

### Dual Installation

DESCRIPTION	NUMBER	MSRP
<b>Dual Installation Kits</b>		
Handle-to-Handle	7023628	\$245
Handle-to-Hinge	7029829	\$245
Hinge-to-Hinge	7029830	\$245
<b>Kickplates*</b>		
54" (1372) Stainless Steel	7026839	\$55
60" (1524) Stainless Steel	7026840	\$65
66" (1676) Stainless Steel	7026841	\$75
72" (1829) Stainless Steel	7026842	\$75

\*Will accommodate 4" (102) and 6" (152) toe kick heights.

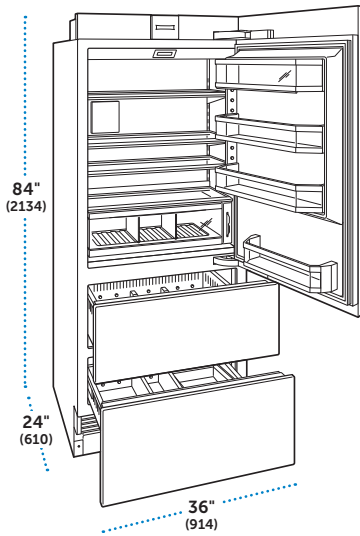
### Miscellaneous

DESCRIPTION	NUMBER	MSRP
<b>Enclosure Panels</b>		
Stainless Steel Side (1)*	7031340	\$1,010
Stainless Steel Top	7031344	\$510
<b>Mounting Kit</b>		
Drawer Panel Support	7028082	\$15
Reduced Toe Kick Divider**	7029956	\$45
Egg Container	7007506	\$30
Water Filter	4204490	\$55
Air Purification Cartridge	7007067	\$55

\*Two side enclosures are required to install top enclosure.

\*\*Required for toekicks from 3 7/8" (98) to 2" (51).

# Designer Series Refrigeration



## 36" Combination – Tall

MODEL	MSRP	UMRP
IT-36CI	\$9,075	\$9,075
IT-36CIID	\$9,450	\$9,450

### SPECIFICATIONS

Overall Dimensions	36"W (914) x 84"H (2134) x 24"D (610)
Refrigerator Capacity	13.3 cu ft (377 L)
Freezer Capacity	6.4 cu ft (181 L)
Shipping Weight	460 lbs (209 kg)
Annual Energy Usage	\$72 (594 kWh)

### FEATURES

#### Refrigerator

- 2 temperature zones
- 3 adjustable glass shelves
- High humidity crisper drawer with dividers
- 1 stationary and 2 adjustable door shelves
- Adjustable dairy compartment
- Air purification system
- Internal water dispenser (IT-36CIID)
- Water filtration system

#### Freezer

- 2 freezer storage drawers with dividers
- Automatic ice maker

## Accessories

### Stainless Steel Door Panels

DESCRIPTION	NUMBER	MSRP
<b>84" (2134) Finished Height</b>		
Tubular Handle / RH	7023708	\$755
Tubular Handle / LH	7023709	\$755
Pro Handle / RH	7025314	\$755
Pro Handle / LH	7025315	\$755

### Stainless Steel Drawer Panels (2-panel set)

DESCRIPTION	NUMBER	MSRP
<b>4" (102) Toe Kick</b>		
Tubular Handle	7023704	\$595
Pro Handle	7025310	\$595
<b>6" (152) Toe Kick</b>		
Tubular Handle	7023705	\$595
Pro Handle	7025311	\$595

### Dual Installation

DESCRIPTION	NUMBER	MSRP
<b>Dual Installation Kits</b>		
Handle-to-Handle	7023628	\$245
Handle-to-Hinge	7029829	\$245
Hinge-to-Hinge	7029830	\$245
<b>Kickplates*</b>		
54" (1372) Stainless Steel	7026839	\$55
60" (1524) Stainless Steel	7026840	\$65
66" (1676) Stainless Steel	7026841	\$75
72" (1829) Stainless Steel	7026842	\$75

\*Will accommodate 4" (102) and 6" (152) toe kick heights.

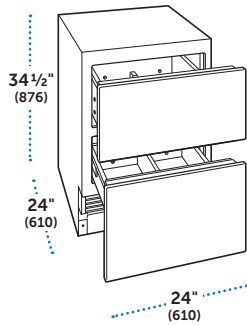
### Miscellaneous

DESCRIPTION	NUMBER	MSRP
<b>Enclosure Panels</b>		
Stainless Steel Side (1)*	7031340	\$1,010
Stainless Steel Top	7031344	\$510
<b>Mounting Kit</b>		
Drawer Panel Support	7028082	\$15
Reduced Toe Kick Divider**	7029956	\$45
Egg Container	7007506	\$30
Water Filter	4204490	\$55
Air Purification Cartridge	7007067	\$55

\*Two side enclosures are required to install top enclosure.

\*\*Required for toekicks from 3 7/8" (98) to 2" (51).

# Designer Series Refrigeration



## 24" All Refrigerator – Drawers

MODEL	MSRP	UMRP
ID-24R	\$4,460	\$4,460

### SPECIFICATIONS

Overall Dimensions	24"W (610) x 34 1/2"H (876) x 24"D (610)	
Refrigerator Capacity	4.0 cu ft (113 L)	
Shipping Weight	170 lbs (77 kg)	
Annual Energy Usage	\$26 (213 kWh)	

### FEATURES

- 2 refrigerator storage drawers with dividers

## Accessories

### Stainless Steel Drawer Panels (2-panel set)

DESCRIPTION	NUMBER	MSRP
<b>4" (102) Toe Kick</b>		
Tubular Handle	7025408	\$515
Pro Handle	7025360	\$515
<b>6" (152) Toe Kick</b>		
Tubular Handle	7025409	\$515
Pro Handle	7025361	\$515

### Dual Installation

DESCRIPTION	NUMBER	MSRP
Dual Installation Kit	7024476	\$165
<b>Kickplates*</b>		
42" (1067) Stainless Steel	7027399	\$55
48" (1219) Stainless Steel	7026838	\$55
54" (1372) Stainless Steel	7026839	\$55
60" (1524) Stainless Steel	7026840	\$65

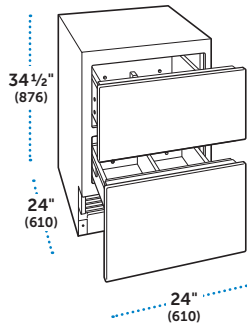
\*Will accommodate 4" (102) and 6" (152) toe kick heights.

### Miscellaneous

DESCRIPTION	NUMBER	MSRP
Reduced Toe Kick Divider*	7029956	\$45
Egg Container	7007506	\$30

\*Required for toekicks from 3 7/8" (98) to 2" (51).

# Designer Series Refrigeration



## 24" Outdoor All Refrigerator – Drawers

MODEL	MSRP	UMRP
ID-24RO	\$4,785	\$4,785

### SPECIFICATIONS

Overall Dimensions	24"W (610) x 34 1/2"H (876) x 24"D (610)	
Refrigerator Capacity	4.0 cu ft (113 L)	
Shipping Weight	170 lbs (77 kg)	
Annual Energy Usage	\$26 (213 kWh)	

### FEATURES

- 2 refrigerator storage drawers with dividers
- Suitable for outdoor use

## Accessories

### Outdoor Rated Stainless Steel Drawer Panels (2-panel set)

DESCRIPTION	NUMBER	MSRP
4" (102) Toe Kick		
Pro Handle (with lock)*	9011615	\$865
Pro Handle (without lock)*	9011700	\$800

\*Required for outdoor installation.

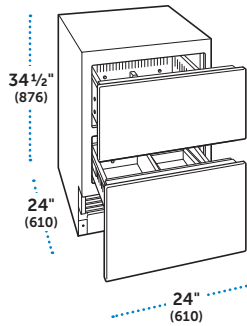
### Dual Installation

DESCRIPTION	NUMBER	MSRP
Dual Installation Kit	7024476	\$165

### Miscellaneous

DESCRIPTION	NUMBER	MSRP
Egg Container	7007506	\$30

# Designer Series Refrigeration



## 24" All Freezer – Drawers

MODEL	MSRP	UMRP
ID-24F	\$4,460	\$4,460
ID-24FI	\$4,620	\$4,620

### SPECIFICATIONS

Overall Dimensions	24"W (610) x 34 1/2"H (876) x 24"D (610)	
Freezer Capacity	3.8 cu ft (109 L)	
Shipping Weight	170 lbs (77 kg)	
Annual Energy Usage	\$45 (377 kWh)	

### FEATURES

- 2 freezer storage drawers with dividers
- Automatic ice maker (ID-24FI)

## Accessories

### Stainless Steel Drawer Panels (2-panel set)

DESCRIPTION	NUMBER	MSRP
<b>4" (102) Toe Kick</b>		
Tubular Handle	7025408	\$515
Pro Handle	7025360	\$515
<b>6" (152) Toe Kick</b>		
Tubular Handle	7025409	\$515
Pro Handle	7025361	\$515

### Dual Installation

DESCRIPTION	NUMBER	MSRP
Dual Installation Kit	7024476	\$165
<b>Kickplates*</b>		
42" (1067) Stainless Steel	7027399	\$55
48" (1219) Stainless Steel	7026838	\$55
54" (1372) Stainless Steel	7026839	\$55
60" (1524) Stainless Steel	7026840	\$65

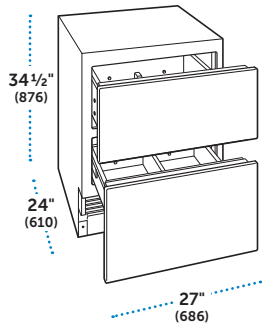
\*Will accommodate 4" (102) and 6" (152) toe kick heights.

### Miscellaneous

DESCRIPTION	NUMBER	MSRP
Reduced Toe Kick Divider*	7029956	\$45

\*Required for toekicks from 3 7/8" (98) to 2" (51).

# Designer Series Refrigeration



## 27" All Refrigerator – Drawers

MODEL	MSRP	UMRP
ID-27R	\$4,540	\$4,540

### SPECIFICATIONS

Overall Dimensions	27"W (686) x 34 1/2"H (876) x 24"D (610)	
Refrigerator Capacity	4.6 cu ft (131 L)	
Shipping Weight	190 lbs (86 kg)	
Annual Energy Usage	\$26 (217 kWh)	

### FEATURES

- 2 refrigerator storage drawers with dividers

## Accessories

### Stainless Steel Drawer Panels (2-panel set)

DESCRIPTION	NUMBER	MSRP
<b>4" (102) Toe Kick</b>		
Tubular Handle	7025410	\$540
Pro Handle	7025362	\$540
<b>6" (152) Toe Kick</b>		
Tubular Handle	7025411	\$540
Pro Handle	7025363	\$540

### Dual Installation

DESCRIPTION	NUMBER	MSRP
Dual Installation Kit	7024476	\$165
<b>Kickplate*</b>		
54" (1372) Stainless Steel	7026839	\$55

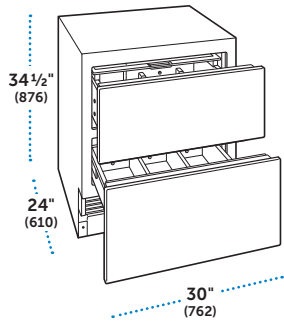
\*Will accommodate 4" (102) and 6" (152) toe kick heights.

### Miscellaneous

DESCRIPTION	NUMBER	MSRP
Reduced Toe Kick Divider*	7029956	\$45
Egg Container	7007506	\$30

\*Required for toekicks from 3 7/8" (98) to 2" (51).

# Designer Series Refrigeration



## 30" All Refrigerator – Drawers

MODEL	MSRP	UMRP
ID-30R	\$4,620	\$4,620

### SPECIFICATIONS

Overall Dimensions	30"W (762) x 34 1/2"H (876) x 24"D (610)	
Refrigerator Capacity	5.3 cu ft (151 L)	
Shipping Weight	210 lbs (95 kg)	
Annual Energy Usage	\$27 (221 kWh)	

### FEATURES

- 2 refrigerator storage drawers with dividers

## Accessories

### Stainless Steel Drawer Panels (2-panel set)

DESCRIPTION	NUMBER	MSRP
<b>4" (102) Toe Kick</b>		
Tubular Handle	7023702	\$565
Pro Handle	7025308	\$565
<b>6" (152) Toe Kick</b>		
Tubular Handle	7023703	\$565
Pro Handle	7025309	\$565

### Dual Installation

DESCRIPTION	NUMBER	MSRP
Dual Installation Kit	7024476	\$165
<b>Kickplates*</b>		
48" (1219) Stainless Steel	7026838	\$55
54" (1372) Stainless Steel	7026839	\$55
60" (1524) Stainless Steel	7026840	\$65
66" (1676) Stainless Steel	7026841	\$75

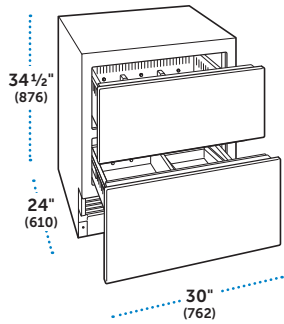
\*Will accommodate 4" (102) and 6" (152) toe kick heights.

### Miscellaneous

DESCRIPTION	NUMBER	MSRP
<b>Mounting Kit</b>		
Drawer Panel Support	7028082	\$15
Reduced Toe Kick Divider*	7029956	\$45
Egg Container	7007506	\$30

\*Required for toekicks from 3 7/8" (98) to 2" (51).

# Designer Series Refrigeration



## 30" All Freezer – Drawers

MODEL	MSRP	UMRP
ID-30F	\$4,620	\$4,620
ID-30FI	\$4,780	\$4,780

### SPECIFICATIONS

Overall Dimensions	30"W (762) x 34 1/2"H (876) x 24"D (610)	
Freezer Capacity	5.1 cu ft (145 L)	
Shipping Weight	210 lbs (95 kg)	
Annual Energy Usage		
ID-30F	\$43 (356 kWh)	
ID-30FI	\$48 (399 kWh)	

### FEATURES

- 2 freezer storage drawers with dividers
- Automatic ice maker (ID-30FI)

## Accessories

### Stainless Steel Drawer Panels (2-panel set)

DESCRIPTION	NUMBER	MSRP
<b>4" (102) Toe Kick</b>		
Tubular Handle	7023702	\$565
Pro Handle	7025308	\$565
<b>6" (152) Toe Kick</b>		
Tubular Handle	7023703	\$565
Pro Handle	7025309	\$565

### Dual Installation

DESCRIPTION	NUMBER	MSRP
Dual Installation Kit	7024476	\$165
<b>Kickplates*</b>		
48" (1219) Stainless Steel	7026838	\$55
54" (1372) Stainless Steel	7026839	\$55
60" (1524) Stainless Steel	7026840	\$65
66" (1676) Stainless Steel	7026841	\$75

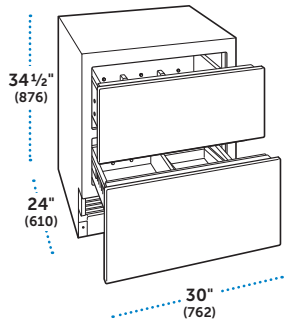
\*Will accommodate 4" (102) and 6" (152) toe kick heights.

### Miscellaneous

DESCRIPTION	NUMBER	MSRP
<b>Mounting Kit</b>		
Drawer Panel Support	7028082	\$15
Reduced Toe Kick Divider*	7029956	\$45

\*Required for toekicks from 3 7/8" (98) to 2" (51).

# Designer Series Refrigeration



## 30" Combination – Drawers

MODEL	MSRP	UMRP
ID-30C	\$4,895	\$4,895
ID-30CI	\$5,055	\$5,055

### SPECIFICATIONS

Overall Dimensions	30"W (762) x 34 1/2"H (876) x 24"D (610)	
Refrigerator Capacity	3.0 cu ft (86 L)	
Freezer Capacity	2.0 cu ft (56 L)	
Shipping Weight	210 lbs (95 kg)	
Annual Energy Usage		
ID-30C	\$45 (374 kWh)	
ID-30CI	\$55 (458 kWh)	

### FEATURES

#### Refrigerator

- 2 temperature zones
- Refrigerator storage drawer with dividers

#### Freezer

- Freezer storage drawer with dividers
- Automatic ice maker (ID-30CI)

## Accessories

### Stainless Steel Drawer Panels (2-panel set)

DESCRIPTION	NUMBER	MSRP
<b>4" (102) Toe Kick</b>		
Tubular Handle	7023702	\$565
Pro Handle	7025308	\$565
<b>6" (152) Toe Kick</b>		
Tubular Handle	7023703	\$565
Pro Handle	7025309	\$565

### Dual Installation

DESCRIPTION	NUMBER	MSRP
Dual Installation Kit	7024476	\$165
<b>Kickplates*</b>		
48" (1219) Stainless Steel	7026838	\$55
54" (1372) Stainless Steel	7026839	\$55
60" (1524) Stainless Steel	7026840	\$65
66" (1676) Stainless Steel	7026841	\$75

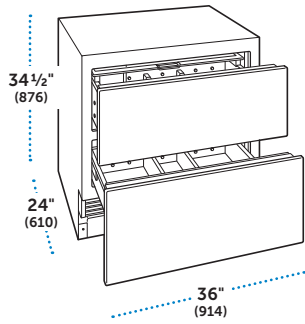
\*Will accommodate 4" (102) and 6" (152) toe kick heights.

### Miscellaneous

DESCRIPTION	NUMBER	MSRP
<b>Mounting Kit</b>		
Drawer Panel Support	7028082	\$15
Reduced Toe Kick Divider*	7029956	\$45
Egg Container	7007506	\$30

\*Required for toekicks from 3 7/8" (98) to 2" (51).

# Designer Series Refrigeration



## 36" All Refrigerator – Drawers

MODEL	MSRP	UMRP
ID-36R	\$4,780	\$4,780

### SPECIFICATIONS

Overall Dimensions	36"W (914) x 34 1/2"H (876) x 24"D (610)	
Refrigerator Capacity	6.6 cu ft (188 L)	
Shipping Weight	250 lbs (113 kg)	
Annual Energy Usage	\$28 (230 kWh)	

### FEATURES

- 2 refrigerator storage drawers with dividers

## Accessories

### Stainless Steel Drawer Panels (2-panel set)

DESCRIPTION	NUMBER	MSRP
<b>4" (102) Toe Kick</b>		
Tubular Handle	7023704	\$595
Pro Handle	7025310	\$595
<b>6" (152) Toe Kick</b>		
Tubular Handle	7023705	\$595
Pro Handle	7025311	\$595

### Dual Installation

DESCRIPTION	NUMBER	MSRP
Dual Installation Kit	7024476	\$165
<b>Kickplates*</b>		
54" (1372) Stainless Steel	7026839	\$55
60" (1524) Stainless Steel	7026840	\$65
66" (1676) Stainless Steel	7026841	\$75
72" (1829) Stainless Steel	7026842	\$75

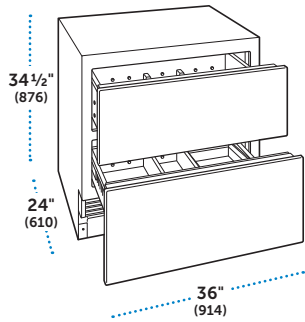
\*Will accommodate 4" (102) and 6" (152) toe kick heights.

### Miscellaneous

DESCRIPTION	NUMBER	MSRP
<b>Mounting Kit</b>		
Drawer Panel Support	7028082	\$15
Reduced Toe Kick Divider*	7029956	\$45
Egg Container	7007506	\$30

\*Required for toekicks from 3 7/8" (98) to 2" (51).

# Designer Series Refrigeration



## 36" Combination – Drawers

MODEL	MSRP	UMRP
ID-36C	\$5,055	\$5,055
ID-36CI	\$5,215	\$5,215

### SPECIFICATIONS

Overall Dimensions	36"W (914) x 34 1/2"H (876) x 24"D (610)	
Refrigerator Capacity	3.8 cu ft (107 L)	
Freezer Capacity	2.5 cu ft (70 L)	
Shipping Weight	250 lbs (113 kg)	
Annual Energy Usage		
ID-36C	\$52 (431 kWh)	
ID-36CI	\$62 (515 kWh)	

### FEATURES

#### Refrigerator

- 2 temperature zones
- Refrigerator storage drawer with dividers

#### Freezer

- Freezer storage drawer with dividers
- Automatic ice maker (ID-36CI)

## Accessories

### Stainless Steel Drawer Panels (2-panel set)

DESCRIPTION	NUMBER	MSRP
<b>4" (102) Toe Kick</b>		
Tubular Handle	7023704	\$595
Pro Handle	7025310	\$595
<b>6" (152) Toe Kick</b>		
Tubular Handle	7023705	\$595
Pro Handle	7025311	\$595

### Dual Installation

DESCRIPTION	NUMBER	MSRP
Dual Installation Kit	7024476	\$165
<b>Kickplates*</b>		
54" (1372) Stainless Steel	7026839	\$55
60" (1524) Stainless Steel	7026840	\$65
66" (1676) Stainless Steel	7026841	\$75
72" (1829) Stainless Steel	7026842	\$75

\*Will accommodate 4" (102) and 6" (152) toe kick heights.

### Miscellaneous

DESCRIPTION	NUMBER	MSRP
<b>Mounting Kit</b>		
Drawer Panel Support	7028082	\$15
Reduced Toe Kick Divider*	7029956	\$45
Egg Container	7007506	\$30

\*Required for toekicks from 3 7/8" (98) to 2" (51).

## Undercounter Refrigeration

Sub-Zero Designer Series Undercounter Refrigeration features a fully customizable exterior and comes in various functions and configurations—all conveniently sized—to fit wherever you need it most. Add comfort and convenience to your master suite. Create a stunning cocktail bar in your study. Seamlessly integrate a spot for delicate cosmetics. The options are truly endless.

- All models feature a panel ready design.
- Stainless steel accessory panels and handles to coordinate other Sub-Zero, Wolf, and Cove appliances.
- Models DEU2450RO and UC-15I(P)O are rated for outdoor use.
- Energy efficient; many models are ENERGY STAR® qualified.
- All refrigeration models are Star-K certified (excludes ice maker models).

### MODEL NUMBER KEY

Designer Series Undercounter Refrigeration	DEU
Undercounter Ice Maker	UC
All Refrigerator	R
Beverage Center	B
Combination Refrigerator/Freezer	C
Ice Maker	I
Glass Door	G
High Altitude Glass Door	A
Outdoor Model	O
Drain Pump	P
Right-Hinge	/R
Left-Hinge	/L

*Specify right-hinge (/R) or left-hinge (/L) door when ordering, excludes ice maker.*

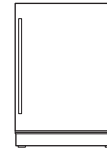
*Annual energy usage is based on 12 cents per kilowatt hour (kWh).*

*Model DEU2450BA with high altitude glass door is available for installations above 5,000' (1524 m) in elevation.*

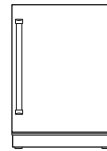
### Undercounter Models



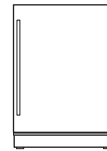
DEU2450BG



DEU2450R



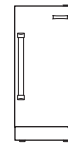
DEU2450RO



DEU2450CI

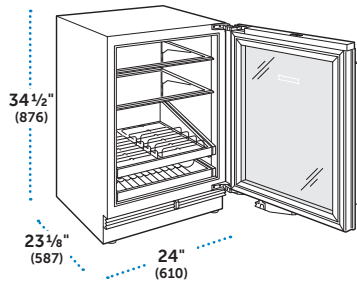


UC-15I(P)



UC-15I(P)O

# Designer Series Undercounter Refrigeration



## 24" Beverage Center

MODEL	MSRP	UMRP
DEU2450BG	\$2,700	\$2,700

### SPECIFICATIONS

Overall Dimensions	24"W (610) x 34 1/2"H (876) x 23 1/8"D (587)	
Refrigerator Capacity	5.5 cu ft (157 L)	
Shipping Weight	146 lbs (66 kg)	
Annual Energy Usage	\$29 (243 kWh)	

### FEATURES

- 2 adjustable glass shelves
- All glass shelves feature a spill-proof, nano-coating
- Full-extension upright beverage shelf with adjustable gates
- Full-extension multipurpose shelf
- Full-view, UV-resistant glass door
- Adjustable LED accent light
- Espresso interior
- Door alarm
- High altitude glass available

## Accessories

### Stainless Steel Door Panels

DESCRIPTION	NUMBER	MSRP
Tubular Handle / RH	9029034	\$330
Tubular Handle / RH / Lock	9029032	\$365
Tubular Handle / LH	9029028	\$330
Tubular Handle / LH / Lock	9029026	\$365
Pro Handle / RH	9028545	\$330
Pro Handle / RH / Lock	9028544	\$365
Pro Handle / LH	9028514	\$330
Pro Handle / LH / Lock	9028513	\$365

Door panel kits include solid stainless steel kickplate, minimum installation height of 34" (864).

### Dual Installation

DESCRIPTION	NUMBER	MSRP
<b>Dual Installation Kits</b>		
Two DEU Units*	9028869	\$105
One DEU with One ID Unit**	9035534	\$105
<b>Stainless Steel Kickplates</b>		
48" (1219)	7042655	\$150
48" (1219) Tall***	7042680	\$150

\*Use when dual installing two undercounter units. Handle to handle installation only.

\*\*Use when dual installing undercounter unit with drawer unit. Handle to drawer installation only.

\*\*\*Minimum installation height of 34.5" (876).

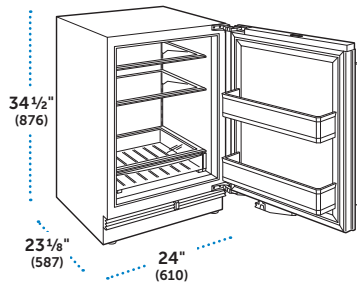
### Miscellaneous

DESCRIPTION	NUMBER	MSRP
<b>Stainless Steel Kickplate</b>		
24" (610) Tall*	7042677	N/C
Custom Panel Lock Kit	7042232	\$100
Solid Panel-Ready Door RH**	7042312	\$400
Solid Panel-Ready Door LH**	7042313	\$400

\*Minimum installation height of 34.5" (876).

\*\*Installation requires authorized service.

# Designer Series Undercounter Refrigeration



## 24" All Refrigerator

MODEL	MSRP	UMRP
DEU2450R	\$2,500	\$2,500

### SPECIFICATIONS

Overall Dimensions	24"W (610) x 34 1/2"H (876) x 23 1/8"D (587)	
Refrigerator Capacity	5.4 cu ft (152 L)	
Shipping Weight	133 lbs (60 kg)	
Annual Energy Usage	\$20 (168 kWh)	

### FEATURES

- 2 adjustable glass shelves
- 1 fixed glass shelf
- All glass shelves feature a spill-proof, nano-coating
- Clear storage drawer
- 2 door shelves
- White interior
- Door alarm

## Accessories

### Stainless Steel Door Panels

DESCRIPTION	NUMBER	MSRP
Tubular Handle / RH	9029035	\$300
Tubular Handle / LH	9029029	\$300
Pro Handle / RH	9029031	\$300
Pro Handle / LH	9029025	\$300

Door panel kits include solid stainless steel kickplate, minimum installation height of 34" (864).

### Dual Installation

DESCRIPTION	NUMBER	MSRP
<b>Dual Installation Kits</b>		
Two DEU Units*	9028869	\$105
One DEU with One ID Unit**	9035534	\$105

### Stainless Steel Kickplates

48" (1219)	7042655	\$150
48" (1219) Tall***	7042680	\$150

\*Use when dual installing two undercounter units. Handle to handle installation only.

\*\*Use when dual installing undercounter unit with drawer unit. Handle to drawer installation only.

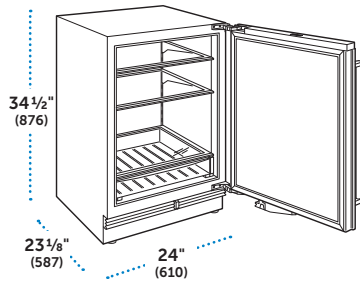
\*\*\*Minimum installation height of 34.5" (876).

### Miscellaneous

DESCRIPTION	NUMBER	MSRP
<b>Stainless Steel Kickplate</b>		
24" (610) Tall*	7042677	N/C
Custom Panel Lock Kit	7042232	\$100

\*Minimum installation height of 34.5" (876).

# Designer Series Undercounter Refrigeration



## 24" Outdoor All Refrigerator

MODEL	MSRP	UMRP
DEU2450RO	\$3,300	\$3,300

### SPECIFICATIONS

Overall Dimensions	24"W (610) x 34 1/2"H (876) x 23 1/8"D (587)	
Refrigerator Capacity	5.4 cu ft (151 L)	
Shipping Weight	153 lbs (69 kg)	
Annual Energy Usage	\$20 (168 kWh)	

### FEATURES

- 2 adjustable glass shelves
- 1 fixed glass shelf
- All glass shelves feature a spill-proof, nano-coating
- Clear storage drawer
- Stainless steel interior
- Door alarm

## Accessories

### Stainless Steel Door Panels

DESCRIPTION	NUMBER	MSRP
<b>Outdoor Panels</b>		
Pro Handle / RH	9028547	\$375
Pro Handle / RH / Lock	9028546	\$415
Pro Handle / LH	9028543	\$375
Pro Handle / LH / Lock	9028515	\$415
<b>Indoor Panels</b>		
Tubular Handle / RH	9029035	\$300
Tubular Handle / LH	9029029	\$300
Pro Handle / RH	9029031	\$300
Pro Handle / LH	9029025	\$300

Door panel kits include solid stainless steel kickplate, minimum installation height of 34" (864).

### Dual Installation

DESCRIPTION	NUMBER	MSRP
<b>Dual Installation Kits</b>		
Two DEU Units*	9028869	\$105
One DEU with One ID Unit**	9035534	\$105
<b>Stainless Steel Kickplates†</b>		
48" (1219)	7042655	\$150
48" (1219) Tall***	7042680	\$150

\*Use when dual installing two undercounter units. Handle to handle installation only.

\*\*Use when dual installing undercounter unit with drawer unit. Handle to drawer installation only.

\*\*\*Minimum installation height of 34.5" (876).

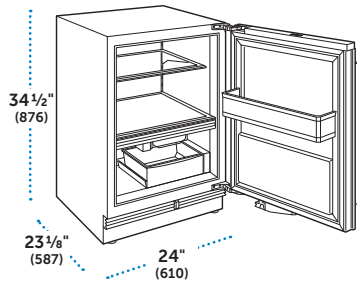
†Dual kickplates can be used for indoor and outdoor applications.

### Miscellaneous

DESCRIPTION	NUMBER	MSRP
<b>Stainless Steel Kickplate</b>		
24" (610) Tall*	7042677	N/C

\*Minimum installation height of 34.5" (876).

# Designer Series Undercounter Refrigeration



## 24" Refrigerator/Freezer

MODEL	MSRP	UMRP
DEU2450CI	\$2,900	\$2,900

### SPECIFICATIONS

Overall Dimensions	24"W (610) x 34 1/2"H (876) x 23 1/8"D (587)	
Refrigerator Capacity	3.1 cu ft (87 L)	
Freezer Capacity	1.7 cu ft (48 L)	
Shipping Weight	134 lbs (61 kg)	
Annual Energy Usage	\$49 (408 kWh)	

### FEATURES

- 1 adjustable glass shelf
- 1 fixed shelf
- All glass shelves feature a spill-proof, nano-coating
- 1 door shelf
- Automatic ice maker
- Removable ice storage bin
- White interior
- Door alarm

## Accessories

### Stainless Steel Door Panels

DESCRIPTION	NUMBER	MSRP
Tubular Handle / RH	9029035	\$300
Tubular Handle / LH	9029029	\$300
Pro Handle / RH	9029031	\$300
Pro Handle / LH	9029025	\$300

Door panel kits include solid stainless steel kickplate, minimum installation height of 34" (864).

### Dual Installation

DESCRIPTION	NUMBER	MSRP
<b>Dual Installation Kits</b>		
Two DEU Units*	9028869	\$105
One DEU with One ID Unit**	9035534	\$105

### Stainless Steel Kickplates

48" (1219)	7042655	\$150
48" (1219) Tall***	7042680	\$150

\*Use when dual installing two undercounter units. Handle to handle installation only.

\*\*Use when dual installing undercounter unit with drawer unit. Handle to drawer installation only.

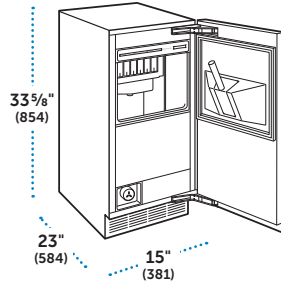
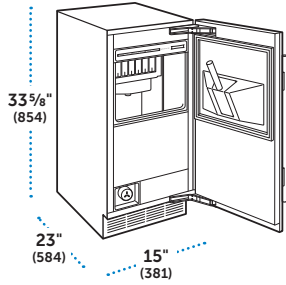
\*\*\*Minimum installation height of 34.5" (876).

### Miscellaneous

DESCRIPTION	NUMBER	MSRP
<b>Stainless Steel Kickplate</b>		
24" (610) Tall*	7042677	N/C
Custom Panel Lock Kit	7042232	\$100

\*Minimum installation height of 34.5" (876).

# Designer Series Undercounter Refrigeration



## 15" Ice Maker

MODEL	MSRP	UMRP
UC-15I	\$3,245	N/A
UC-15IP	\$4,105	N/A

### SPECIFICATIONS

Overall Dimensions	15"W (381) x 33 5/8"H (854) x 23"D (584)	
Ice Storage Capacity	26 lbs (12 kg)	
Shipping Weight	117 lbs (53 kg)	

### FEATURES

- Ice scoop
- Drain pump (UC-15IP)
- Water filtration system

## 15" Outdoor Ice Maker

MODEL	MSRP	UMRP
UC-15IO	\$3,570	N/A
UC-15IPO	\$4,430	N/A

### SPECIFICATIONS

Overall Dimensions	15"W (381) x 33 5/8"H (854) x 23"D (584)	
Ice Storage Capacity	26 lbs (12 kg)	
Shipping Weight	117 lbs (53 kg)	

### FEATURES

- Ice scoop
- Drain pump (UC-15IPO)
- Water filtration system

## Accessories

DESCRIPTION	NUMBER	MSRP
<b>15" (381) Stainless Steel Door Panel</b>		
Tubular Handle	7030430	\$395
Pro Handle	7030431	\$395
<b>18" (457) Stainless Steel Door Panel</b>		
Tubular Handle	7030432	\$405
Pro Handle	7030433	\$405
3" (76) Stainless Steel Filler	7012363	\$85
Stainless Steel Kickplate	7013395	\$45
Cleaning Solution*	7013400	\$25
Sanitizing Solution*	7013401	\$25
Water Filter	7012333	\$65

\*Must be purchased with ice maker.

## Accessories

DESCRIPTION	NUMBER	MSRP
<b>15" (381) Stainless Steel Door Panel</b>		
Pro Handle	7030434	\$395
Stainless Steel Kickplate	7013395	\$45
Cleaning Solution*	7013400	\$25
Sanitizing Solution*	7013401	\$25
Water Filter	7012333	\$65

\*Must be purchased with ice maker.

## Wine Storage

To preserve the integrity of every glass, Sub-Zero Wine Storage units are more than just coolers; they are built with advanced preservation technologies and protective features that guard against the harmful effects of heat, humidity, light, and vibration. Cherrywood-faced shelves, soft lighting, custom cabinetry if desired—Sub-Zero helps make a wine collection an element of beauty in the home.

- Framed, overlay, flush inset, stainless steel, and integrated design options complement Classic Series, Designer Series, and undercounter units for dual installation.
- Full-view glass door on all models.
- Discreet interior lighting with illuminated display shelf.
- Two independent storage zones maintain temperature, humidity, and UV protection.
- Cherrywood-faced shelves display the wine beautifully and accommodate 750 ml bottles, half-bottles, and magnums.

### MODEL NUMBER KEY (UNDERCOUNTER MODEL)

Designer Series Undercounter	DEU
Wine Storage	W
High Altitude Glass Door	A
Right-Hinge	/R
Left-Hinge	/L

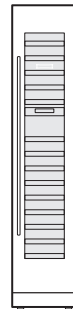
### MODEL NUMBER KEY (FULL SIZE MODELS)

Classic Series Wine Storage	BW
Designer Series Wine Storage	IW
High Altitude Glass Door	A
Refrigerator Drawers	R
Combination Refrigerator/Freezer Drawers	C
Ice Maker	I
Overlay Model	/O
Stainless Steel Model	/S
Tubular Handle	/TH
Pro Handle	/PH
Right-Hinge	-RH
Left-Hinge	-LH

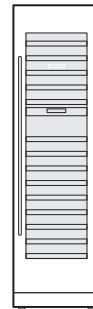
## Wine Storage Models



DEU2450W



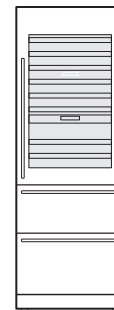
IW-18



IW-24



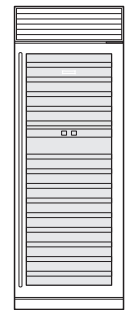
IW-30



IW-30R



IW-30CI



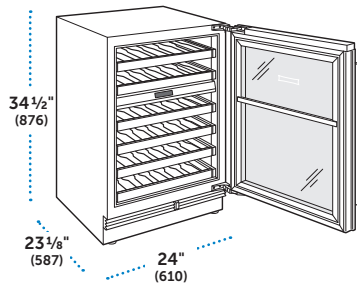
BW-30

Models are shown in the stainless steel design with tubular handles.

Specify right-hinge or left-hinge door when ordering (see model number keys above).

Overall dimensions for BW-30 are based on stainless steel models. Overall dimensions for Designer Series full size and undercounter models do not include panels or handles. Dimensions will vary with panel thickness.

A high altitude glass door is available for installations above 5,000' (1524 m) in elevation.



## 24" Undercounter Wine Storage

MODEL	MSRP	UMRP
DEU2450W	\$3,800	N/A

### SPECIFICATIONS

Overall Dimensions	24"W (610) x 34½"H (876) x 23⅛"D (587)	
Design	Undercounter	
Wine Storage Capacity	42 bottles (750 ml)	
Shipping Weight	176 lbs (80 kg)	

### FEATURES

- 2 temperature zones
- 6 full-extension wine racks
- Full-view, UV-resistant glass door
- Adjustable LED accent light
- Espresso interior
- Door alarm
- High altitude glass available

## Accessories

### Dual Installation

DESCRIPTION	NUMBER	MSRP
<b>Dual Installation Kits</b>		
Two DEU Units*	9028869	\$105
One DEU with One ID Unit**	9035534	\$105
<b>Stainless Steel Kickplates</b>		
48" (1219)	7042655	\$150
48" (1219) Tall***	7042680	\$150

\*Use when dual installing two undercounter units. Handle to handle installation only.

\*\*Use when dual installing undercounter unit with drawer unit. Handle to drawer installation only.

\*\*\*Minimum installation height of 34.5" (876).

## Accessories

### Stainless Steel Door Panels

DESCRIPTION	NUMBER	MSRP
Tubular Handle / RH	9029034	\$330
Tubular Handle / RH / Lock	9029032	\$365
Tubular Handle / LH	9029028	\$330
Tubular Handle / LH / Lock	9029026	\$365
Pro Handle / RH	9028545	\$330
Pro Handle / RH / Lock	9028544	\$365
Pro Handle / LH	9028514	\$330
Pro Handle / LH / Lock	9028513	\$365

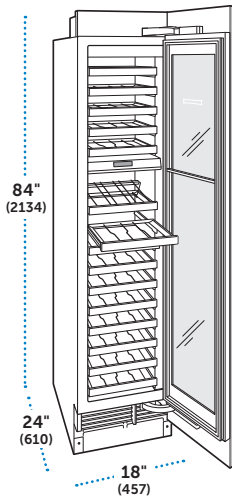
Door panel kits include solid stainless steel kickplate, minimum installation height of 34" (864).

### Miscellaneous

DESCRIPTION	NUMBER	MSRP
<b>Stainless Steel Kickplate</b>		
24" (610) Tall*	7042677	N/C
Custom Panel Lock Kit	7042232	\$100
Solid Panel-Ready Door RH**	7042312	\$400
Solid Panel-Ready Door LH**	7042313	\$400

\*Minimum installation height of 34.5" (876).

\*\*Installation requires authorized service.



## 18" Wine Storage

MODEL	MSRP	UMRP
IW-18	\$6,280	\$6,280

### SPECIFICATIONS

Overall Dimensions	18"W (457) x 84"H (2134) x 24"D (610)	
Design	Designer Series	
Wine Storage Capacity	59 bottles (750 ml)	
Shipping Weight	350 lbs (158 kg)	

### FEATURES

- 2 temperature zones
- 5 upper and 10 lower compartment shelves
- Full-view, UV-resistant glass door
- Inventory tile system
- High altitude glass available

## Accessories

### Dual Installation

DESCRIPTION	NUMBER	MSRP
<b>Dual Installation Kits</b>		
Handle-to-Handle	7023628	\$245
Handle-to-Hinge	7029829	\$245
Hinge-to-Hinge	7029830	\$245
<b>Kickplates*</b>		
36" (914) Stainless Steel	7026837	\$55
42" (1067) Stainless Steel	7027399	\$55
48" (1219) Stainless Steel	7026838	\$55
54" (1372) Stainless Steel	7026839	\$55

\*Will accommodate 4" (102) and 6" (152) toe kick heights.

## Accessories

### Stainless Steel Door Panels

DESCRIPTION	NUMBER	MSRP
<b>84" (2134) Fin Height – 4" (102) Toe Kick</b>		
Tubular Handle / RH	7025376	\$640
Tubular Handle / RH / Lock	7025380	\$745
Tubular Handle / LH	7025377	\$640
Tubular Handle / LH / Lock	7025381	\$745
Pro Handle / RH	7025328	\$640
Pro Handle / RH / Lock	7025332	\$745
Pro Handle / LH	7025329	\$640
Pro Handle / LH / Lock	7025333	\$745
<b>84" (2134) Fin Height – 6" (152) Toe Kick</b>		
Tubular Handle / RH	7025378	\$640
Tubular Handle / RH / Lock	7025382	\$745
Tubular Handle / LH	7025379	\$640
Tubular Handle / LH / Lock	7025383	\$745
Pro Handle / RH	7025330	\$640
Pro Handle / RH / Lock	7025334	\$745
Pro Handle / LH	7025331	\$640
Pro Handle / LH / Lock	7025335	\$745

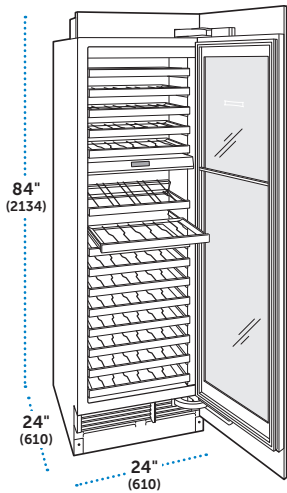
### Miscellaneous

DESCRIPTION	NUMBER	MSRP
<b>Enclosure Panels</b>		
Stainless Steel Top	7031341	\$390
Stainless Steel Side (1)*	7031340	\$1,010
Reduced Toe Kick Divider**	7029956	\$45
Solid Panel-Ready Door RH***	7031923	\$485
Solid Panel-Ready Door LH***	7031924	\$485
Lock Kit	7028773	\$95
Inventory Tiles (15)	7031944	\$30
Inventory Tiles / Writable (15)	7030331	\$55
Bulk Storage Drawer	7028448	\$485
Dessert Wine Rack	7028451	\$380

\*Two side enclosures are required to install top enclosure.

\*\*Required for toekicks from 3<sup>7</sup>/<sub>8</sub>" (98) to 2" (51).

\*\*\*Installation may require authorized service.



## 24" Wine Storage

MODEL	MSRP	UMRP
IW-24	\$6,710	\$6,710

### SPECIFICATIONS

Overall Dimensions	24"W (610) x 84"H (2134) x 24"D (610)	
Design	Designer Series	
Wine Storage Capacity	102 bottles (750 ml)	
Shipping Weight	410 lbs (185 kg)	

### FEATURES

- 2 temperature zones
- 5 upper and 10 lower compartment shelves
- Full-view, UV-resistant glass door
- Inventory tile system
- High altitude glass available

## Accessories

### Dual Installation

DESCRIPTION	NUMBER	MSRP
<b>Dual Installation Kits</b>		
Handle-to-Handle	7023628	\$245
Handle-to-Hinge	7029829	\$245
Hinge-to-Hinge	7029830	\$245
<b>Kickplates*</b>		
42" (1067) Stainless Steel	7027399	\$55
48" (1219) Stainless Steel	7026838	\$55
54" (1372) Stainless Steel	7026839	\$55
60" (1524) Stainless Steel	7026840	\$65

\*Will accommodate 4" (102) and 6" (152) toe kick heights.

## Accessories

### Stainless Steel Door Panels

DESCRIPTION	NUMBER	MSRP
<b>84" (2134) Fin Height – 4" (102) Toe Kick</b>		
Tubular Handle / RH	7025384	\$755
Tubular Handle / RH / Lock	7025388	\$855
Tubular Handle / LH	7025385	\$755
Tubular Handle / LH / Lock	7025389	\$855
Pro Handle / RH	7025336	\$755
Pro Handle / RH / Lock	7025340	\$855
Pro Handle / LH	7025337	\$755
Pro Handle / LH / Lock	7025341	\$855
<b>84" (2134) Fin Height – 6" (152) Toe Kick</b>		
Tubular Handle / RH	7025386	\$755
Tubular Handle / RH / Lock	7025390	\$855
Tubular Handle / LH	7025387	\$755
Tubular Handle / LH / Lock	7025391	\$855
Pro Handle / RH	7025338	\$755
Pro Handle / RH / Lock	7025342	\$855
Pro Handle / LH	7025339	\$755
Pro Handle / LH / Lock	7025343	\$855

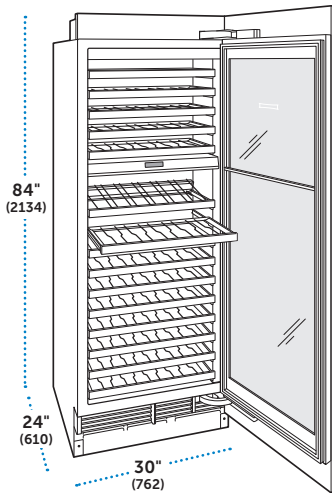
### Miscellaneous

DESCRIPTION	NUMBER	MSRP
<b>Enclosure Panels</b>		
Stainless Steel Top	7031342	\$430
Stainless Steel Side (1)*	7031340	\$1,010
Reduced Toe Kick Divider**	7029956	\$45
Solid Panel-Ready Door RH***	7031925	\$520
Solid Panel-Ready Door LH***	7031926	\$520
Lock Kit	7028773	\$95
Inventory Tiles (15)	7031944	\$30
Inventory Tiles / Writable (15)	7030331	\$55
Bulk Storage Drawer	7028449	\$565
Dessert Wine Rack	7028451	\$380

\*Two side enclosures are required to install top enclosure.

\*\*Required for toekicks from 3<sup>7</sup>/<sub>8</sub>" (98) to 2" (51).

\*\*\*Installation may require authorized service.



## 30" Wine Storage

MODEL	MSRP	UMRP
IW-30	\$7,790	\$7,790

### SPECIFICATIONS

Overall Dimensions	30"W (762) x 84"H (2134) x 24"D (610)	
Design	Designer Series	
Wine Storage Capacity	146 bottles (750 ml)	
Shipping Weight	460 lbs (208 kg)	

### FEATURES

- 2 temperature zones
- 5 upper and 10 lower compartment shelves
- Full-view, UV-resistant glass door
- Inventory tile system
- High altitude glass available

## Accessories

### Dual Installation

DESCRIPTION	NUMBER	MSRP
<b>Dual Installation Kits</b>		
Handle-to-Handle	7023628	\$245
Handle-to-Hinge	7029829	\$245
Hinge-to-Hinge	7029830	\$245
<b>Kickplates*</b>		
48" (1219) Stainless Steel	7026838	\$55
54" (1372) Stainless Steel	7026839	\$55
60" (1524) Stainless Steel	7026840	\$65
66" (1676) Stainless Steel	7026841	\$75

\*Will accommodate 4" (102) and 6" (152) toe kick heights.

## Accessories

### Stainless Steel Door Panels

DESCRIPTION	NUMBER	MSRP
<b>84" (2134) Fin Height – 4" (102) Toe Kick</b>		
Tubular Handle / RH	7025392	\$860
Tubular Handle / RH / Lock	7025396	\$960
Tubular Handle / LH	7025393	\$860
Tubular Handle / LH / Lock	7025397	\$960
Pro Handle / RH	7025344	\$860
Pro Handle / RH / Lock	7025348	\$960
Pro Handle / LH	7025345	\$860
Pro Handle / LH / Lock	7025349	\$960
<b>84" (2134) Fin Height – 6" (152) Toe Kick</b>		
Tubular Handle / RH	7025394	\$860
Tubular Handle / RH / Lock	7025398	\$960
Tubular Handle / LH	7025395	\$860
Tubular Handle / LH / Lock	7025399	\$960
Pro Handle / RH	7025346	\$860
Pro Handle / RH / Lock	7025350	\$960
Pro Handle / LH	7025347	\$860
Pro Handle / LH / Lock	7025351	\$960

### Miscellaneous

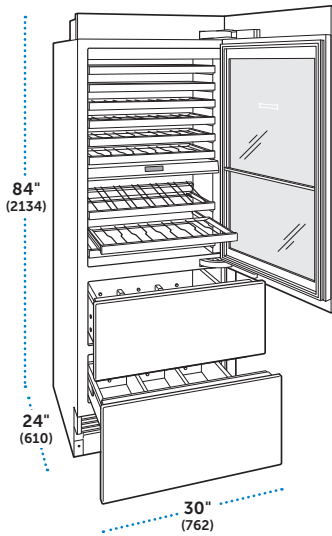
DESCRIPTION	NUMBER	MSRP
<b>Enclosure Panels</b>		
Stainless Steel Top	7031343	\$460
Stainless Steel Side (1)*	7031340	\$1,010
Reduced Toe Kick Divider**	7029956	\$45
Solid Panel-Ready Door RH***	7031927	\$550
Solid Panel-Ready Door LH***	7031928	\$550
Lock Kit	7028773	\$95
Inventory Tiles (15)	7031944	\$30
Inventory Tiles / Writable (15)	7030331	\$55
Bulk Storage Drawer	7028450	\$700
Dessert Wine Rack	7028451	\$380
Cherrywood Humidor****	7040181	\$885

\*Two side enclosures are required to install top enclosure.

\*\*Required for toekicks from 3<sup>7</sup>/<sub>8</sub>" (98) to 2" (51).

\*\*\*Installation may require authorized service.

\*\*\*\*100+ capacity with humidity control.



## 30" Wine Storage with Refrigerator Drawers

MODEL	MSRP	UMRP
IW-30R	\$9,085	\$9,085

### SPECIFICATIONS

Overall Dimensions	30"W (762) x 84"H (2134) x 24"D (610)	
Design	Designer Series	
Wine Storage Capacity	86 bottles (750 ml)	
Refrigerator Capacity	5.2 cu ft (147 L)	
Shipping Weight	490 lbs (222 kg)	

### FEATURES

- 3 temperature zones
- 6 upper and 3 lower compartment shelves
- Display shelf
- Full-view, UV-resistant glass door
- High altitude glass available
- 2 refrigerator drawers with dividers

## Accessories

### Stainless Steel Drawer Panels (2-panel set)

DESCRIPTION	NUMBER	MSRP
<b>4" (102) Toe Kick</b>		
Tubular Handle	7023702	\$565
Pro Handle	7025308	\$565
<b>6" (152) Toe Kick</b>		
Tubular Handle	7023703	\$565
Pro Handle	7025309	\$565

## Accessories

### Stainless Steel Door Panels

DESCRIPTION	NUMBER	MSRP
<b>84" (2134) Finished Height</b>		
Tubular Handle / RH	7025400	\$755
Tubular Handle / RH / Lock	7025402	\$855
Tubular Handle / LH	7025401	\$755
Tubular Handle / LH / Lock	7025403	\$855
Pro Handle / RH	7025352	\$755
Pro Handle / RH / Lock	7025354	\$855
Pro Handle / LH	7025353	\$755
Pro Handle / LH / Lock	7025355	\$855

### Dual Installation

DESCRIPTION	NUMBER	MSRP
<b>Dual Installation Kits</b>		
Handle-to-Handle	7023628	\$245
Handle-to-Hinge	7029829	\$245
Hinge-to-Hinge	7029830	\$245

### Kickplates\*

48" (1219) Stainless Steel	7026838	\$55
54" (1372) Stainless Steel	7026839	\$55
60" (1524) Stainless Steel	7026840	\$65
66" (1676) Stainless Steel	7026841	\$75

\*Will accommodate 4" (102) and 6" (152) toe kick heights.

### Miscellaneous

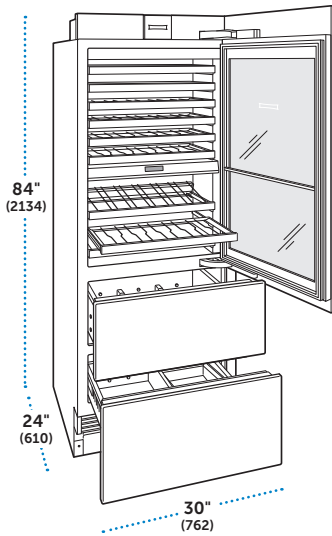
DESCRIPTION	NUMBER	MSRP
<b>Enclosure Panels</b>		
Stainless Steel Top	7031343	\$460
Stainless Steel Side (1)*	7031340	\$1,010
<b>Mounting Kit</b>		
Drawer Panel Support	7028082	\$15
Reduced Toe Kick Divider**	7029956	\$45
Solid Panel-Ready Door RH***	7031929	\$480
Solid Panel-Ready Door LH***	7031930	\$480
Lock Kit	7028773	\$95
Inventory Tiles (15)	7031944	\$30
Inventory Tiles / Writable (15)	7030331	\$55
Bulk Storage Drawer	7028450	\$700
Dessert Wine Rack	7028451	\$380
Cherrywood Humidor****	7040181	\$885

\*Two side enclosures are required to install top enclosure.

\*\*Required for toekicks from 3 7/8" (98) to 2" (51).

\*\*\*Installation may require authorized service.

\*\*\*\*100+ capacity with humidity control.



## 30" Wine Storage with Combination Drawers

MODEL	MSRP	UMRP
IW-30CI	\$9,245	\$9,245

### SPECIFICATIONS

Overall Dimensions	30"W (762) x 84"H (2134) x 24"D (610)	
Design	Designer Series	
Wine Storage Capacity	86 bottles (750 ml)	
Refrigerator Capacity	3.0 cu ft (85 L)	
Freezer Capacity	2.0 cu ft (57 L)	
Shipping Weight	495 lbs (225 kg)	

### FEATURES

- 4 temperature zones
- 6 upper and 3 lower compartment shelves
- Display shelf
- Full-view, UV-resistant glass door
- High altitude glass available
- 1 refrigerator drawer with dividers
- 1 freezer drawer with dividers
- Automatic ice maker

## Accessories

### Stainless Steel Drawer Panels (2-panel set)

DESCRIPTION	NUMBER	MSRP
<b>4" (102) Toe Kick</b>		
Tubular Handle	7023702	\$565
Pro Handle	7025308	\$565
<b>6" (152) Toe Kick</b>		
Tubular Handle	7023703	\$565
Pro Handle	7025309	\$565

## Accessories

### Stainless Steel Door Panels

DESCRIPTION	NUMBER	MSRP
<b>84" (2134) Finished Height</b>		
Tubular Handle / RH	7025400	\$755
Tubular Handle / RH / Lock	7025402	\$855
Tubular Handle / LH	7025401	\$755
Tubular Handle / LH / Lock	7025403	\$855
Pro Handle / RH	7025352	\$755
Pro Handle / RH / Lock	7025354	\$855
Pro Handle / LH	7025353	\$755
Pro Handle / LH / Lock	7025355	\$855

### Dual Installation

DESCRIPTION	NUMBER	MSRP
<b>Dual Installation Kits</b>		
Handle-to-Handle	7023628	\$245
Handle-to-Hinge	7029829	\$245
Hinge-to-Hinge	7029830	\$245

### Kickplates\*

48" (1219) Stainless Steel	7026838	\$55
54" (1372) Stainless Steel	7026839	\$55
60" (1524) Stainless Steel	7026840	\$65
66" (1676) Stainless Steel	7026841	\$75

\*Will accommodate 4" (102) and 6" (152) toe kick heights.

### Miscellaneous

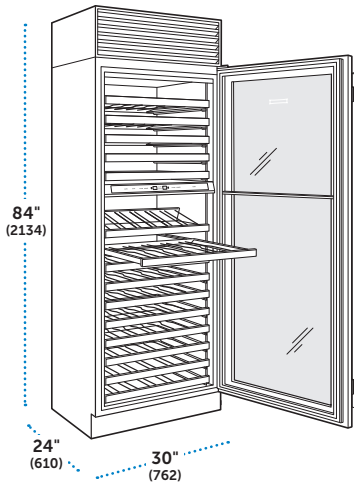
DESCRIPTION	NUMBER	MSRP
<b>Enclosure Panels</b>		
Stainless Steel Top	7031343	\$460
Stainless Steel Side (1)*	7031340	\$1,010
<b>Mounting Kit</b>		
Drawer Panel Support	7028082	\$15
Reduced Toe Kick Divider**	7029956	\$45
Solid Panel-Ready Door RH***	7031929	\$480
Solid Panel-Ready Door LH***	7031930	\$480
Lock Kit	7028773	\$95
Inventory Tiles (15)	7031944	\$30
Inventory Tiles / Writable (15)	7030331	\$55
Bulk Storage Drawer	7028450	\$700
Dessert Wine Rack	7028451	\$380
Cherrywood Humidor****	7040181	\$885
Water Filter	4204490	\$55

\*Two side enclosures are required to install top enclosure.

\*\*Required for toekicks from 3<sup>7</sup>/<sub>8</sub>" (98) to 2" (51).

\*\*\*Installation may require authorized service.

\*\*\*\*100+ capacity with humidity control.



## 30" Wine Storage

MODEL	MSRP	UMRP
BW-30/O*	\$7,885	\$7,545
BW-30/S/TH	\$8,905	\$8,525
BW-30/S/PH	\$8,905	\$8,525

\*Flush inset and framed design options are achieved by specifying an overlay model. Overlay models include a grille frame that accepts a classic louvered, solid stainless, pro louvered or custom panel insert.

### SPECIFICATIONS

Overall Dimensions	30"W (762) x 84"H (2134) x 24"D (610)
Design	Classic Series
Wine Storage Capacity	146 bottles (750 ml)
Shipping Weight	445 lbs (202 kg)

### FEATURES

- 2 temperature zones
- 5 upper and 9 lower compartment shelves
- Display shelf
- Full-view, UV-resistant glass door
- High altitude glass available
- 90° door stop

No solid door option available for this model.

## Accessories

### Grilles

FINISHED HEIGHT	NUMBER	MSRP
<b>Framed</b>		
83" (2108) Classic Louvered	7003518	\$355
88" (2235) Classic Louvered	7003522	\$460
<b>Overlay or Flush Inset</b>		
83" (2108) Grille Frame	7003530	\$275
84" (2134) Grille Frame	7007135	\$245
88" (2235) Grille Frame	7003534	\$245
<b>Stainless Steel</b>		
83" (2108) Pro Louvered	7003542	\$395
84" (2134) Pro Louvered	7007131	\$440
88" (2235) Pro Louvered	7003546	\$500

### Framed Application

DESCRIPTION	NUMBER	MSRP
Classic Louvered Insert*	7014849	\$155
<b>Handle (1)</b>		
Full-Length Standard	7014887	\$125
Full-Length Extended	7003462	\$125

\*Slides into overlay grille, 84" (2134) finished height.

## Accessories

### Single Flush Inset Panels – Stainless Steel

DESCRIPTION	NUMBER	MSRP
<b>Grille*</b>		
Solid SS Panel	7008870	\$215
Pro Louvered	7020157	\$335
<b>Tubular Handle</b>		
Door Panel	7029159	\$915
<b>Pro Handle</b>		
Door Panel	7010268	\$915

\*84" (2134) finished height.

### Dual Flush Inset Panels – Stainless Steel

DESCRIPTION	NUMBER	MSRP
<b>Dual Wide Grille*</b>		
60" (1524) Solid SS Panel	7008882	\$450
66" (1676) Solid SS Panel	7013367	\$480
<b>Tubular Handle</b>		
Door Panel	7029160	\$915
<b>Pro Handle</b>		
Door Panel	7010274	\$915

\*84" (2134) finished height. Solid SS panel requires dual installation kit 7012623 or 7004811.

### Dual Installation Kit with Dual Wide Grille

DESCRIPTION	NUMBER	MSRP
<b>Framed</b>		
60" (1524) Classic Louvered	7004808	\$1,140
<b>Overlay or Flush Inset</b>		
60" (1524) Grille Frame	7004810	\$920
66" (1676) Grille Frame	7012623	\$945
<b>Stainless Steel Flush Inset</b>		
60" (1524) Pro Louvered	7020161	\$1,080
66" (1676) Pro Louvered	7020162	\$1,105
<b>Stainless Steel</b>		
60" (1524) Pro Louvered	7004812	\$1,220
66" (1676) Pro Louvered	7012624	\$1,245

For handle-to-handle installations only. Kit includes dual wide kickplate and dual wide grille for 84" (2134) finished height, center trim strip, heater and mounting hardware.

### Dual Installation Kit

DESCRIPTION	NUMBER	MSRP
<b>All Designs</b>		
Dual Installation Kit	7003411	\$380

For handle-to-handle installations only. Kit includes center trim strip, heater and mounting hardware.

### Miscellaneous

DESCRIPTION	NUMBER	MSRP
<b>Mounting Kits</b>		
Custom Side Panel	7003407	\$115
<b>Side Panels</b>		
Stainless Steel (1)	7003408	\$785
White Enamel (1)	7003409	\$540
<b>Kickplates</b>		
Stainless Steel RH	7010358	\$45
Stainless Steel LH	7010359	\$45
Lock Kit	7011215	\$220
90° Door Stop	7005865	N/C
Inventory Tiles (15)	7031944	\$30
Inventory Tiles / Writable (15)	7030331	\$55
Bulk Storage Drawer	7040427	\$805
Dessert Wine Rack	7040428	\$325
Cherrywood Humidor*	7040426	\$885

\*100+ capacity with humidity control.

## Stainless Steel Handles

### Tubular Handles (Square Standoffs)

DESCRIPTION	NUMBER	MSRP
<b>3/4" (19) Diameter</b>		
21 1/4" (540)	7025231	\$165
24 3/16" (614)	9036005	\$160
24 3/4" (629)	7029193	\$165
27 1/4" (692)	7025229	\$165
33 1/4" (845)	7025228	\$165
50 1/8" (1273)	7025227	\$190
<b>1" (25) Diameter</b>		
24 5/16" (633)	7029181	\$165
30 5/16" (770)	7029174	\$165
36 5/16" (922)	7030668	\$165
44 1/4" (1124)	7029168	\$190
63 7/8" (1622)	7029157	\$190

### Tubular Handles (Obround Standoffs)

DESCRIPTION	NUMBER	MSRP
<b>3/4" (19) Diameter</b>		
24 3/16" (614)	7007246	\$185
41 3/16" (1046)	7007250	\$205
<b>1" (25) Diameter</b>		
24 5/16" (633)	7007247	\$185
30 5/16" (770)	7007248	\$185
44 1/4" (1124)	7007251	\$195
63 7/8" (1622)	7007253	\$195

### Pro Handles

DESCRIPTION	NUMBER	MSRP
15 11/16" (399)	7011075	\$165
17 9/16" (446)	7006854	\$165
19 1/2" (495)	7026119	\$165
21" (533)	7006853	\$165
22 1/2" (572)	9036003	\$160
23 5/8" (600)	7006855	\$165
25 1/2" (648)	7026117	\$165
29 5/8" (753)	7027250	\$165
31 1/2" (800)	7026116	\$165
37 1/2" (953)	7006858	\$190
39 9/16" (1006)	7006857	\$190
45 3/16" (1148)	7006860	\$190
48 3/8" (1229)	7026115	\$190

### Framed Full-Length Handles

DESCRIPTION	NUMBER	MSRP
<b>BI-36R, BI-36RG, BI-36F and BW-30</b>		
Standard Handle	7014887	\$125
Extended Handle	7003462	\$125
<b>BI-30U and BI-30UG</b>		
Standard 2-Handle Set	7014888	\$175
Extended 2-Handle Set	7003463	\$205
<b>BI-36U(ID) and BI-36UG</b>		
Standard 2-Handle Set	7014889	\$175
Extended 2-Handle Set	7003464	\$205
<b>BI-36UFD(ID)</b>		
Standard 3-Handle Set	7023375	\$235
Extended 3-Handle Set	7023376	\$255
<b>BI-42UFD(ID)</b>		
Standard 3-Handle Set	7027154	\$255
Extended 3-Handle Set	7027155	\$310
<b>Side-by-Side</b>		
Standard 2-Handle Set	7014890	\$175
Extended 2-Handle Set	7003465	\$205

## Stainless Steel Handles

### Standard Handle Length

MODEL	TUBULAR	PRO
<b>Classic Series</b>		
Full Door	63 <sup>7</sup> / <sub>8</sub> " (1622)	45 <sup>3</sup> / <sub>16</sub> " (1148)
Over-and-Under Door	44 <sup>1</sup> / <sub>4</sub> " (1124)	37 <sup>1</sup> / <sub>2</sub> " (952)
42" Drawer	36 <sup>5</sup> / <sub>16</sub> " (922)	29 <sup>5</sup> / <sub>8</sub> " (753)
36" Drawer	30 <sup>5</sup> / <sub>16</sub> " (770)	23 <sup>5</sup> / <sub>8</sub> " (600)
30" Drawer	24 <sup>5</sup> / <sub>16</sub> " (633)	17 <sup>9</sup> / <sub>16</sub> " (447)
<b>PRO Series</b>		
PRO4850, PRO3650 Door	N/A	27 <sup>11</sup> / <sub>16</sub> " (703)
PRO4850 Refrigerator Drawer	N/A	19 <sup>15</sup> / <sub>16</sub> " (506)
PRO4850 Freezer Drawer	N/A	11 <sup>9</sup> / <sub>16</sub> " (294)
PRO3650 Drawer	N/A	26 <sup>5</sup> / <sub>16</sub> " (668)
<b>Designer Series</b>		
Column Door	50 <sup>1</sup> / <sub>8</sub> " (1273)	48 <sup>3</sup> / <sub>8</sub> " (1229)
Tall Door	33 <sup>1</sup> / <sub>4</sub> " (845)	31 <sup>1</sup> / <sub>2</sub> " (800)
36" Drawer	33 <sup>1</sup> / <sub>4</sub> " (845)	31 <sup>1</sup> / <sub>2</sub> " (800)
30" Drawer	27 <sup>1</sup> / <sub>4</sub> " (692)	25 <sup>1</sup> / <sub>2</sub> " (648)
27" Drawer	24 <sup>1</sup> / <sub>4</sub> " (616)	22 <sup>1</sup> / <sub>2</sub> " (572)
24" Drawer	21 <sup>1</sup> / <sub>4</sub> " (540)	19 <sup>1</sup> / <sub>2</sub> " (495)
<b>Wine Storage</b>		
BW-30 Door	63 <sup>7</sup> / <sub>8</sub> " (1622)	45 <sup>3</sup> / <sub>16</sub> " (1147)
IW-18, IW-24, IW-30 Door	50 <sup>1</sup> / <sub>8</sub> " (1273)	48 <sup>3</sup> / <sub>8</sub> " (1229)
IW-30R, IW-30CI Door	33 <sup>1</sup> / <sub>4</sub> " (845)	31 <sup>1</sup> / <sub>2</sub> " (800)
DEU2450W Door	24 <sup>3</sup> / <sub>16</sub> " (614)	22 <sup>1</sup> / <sub>2</sub> " (572)
IW-30R, IW-30CI Drawer	27 <sup>1</sup> / <sub>4</sub> " (692)	22 <sup>1</sup> / <sub>2</sub> " (572)
<b>Undercounter</b>		
Refrigeration	24 <sup>3</sup> / <sub>16</sub> " (614)	22 <sup>1</sup> / <sub>2</sub> " (572)
Ice Maker	24 <sup>3</sup> / <sub>4</sub> " (629)	15 <sup>11</sup> / <sub>16</sub> " (399)

This page intentionally left blank

## Sub-Zero Residential Limited Warranty

### FOR RESIDENTIAL USE

#### FULL TWO YEAR WARRANTY\*

For two years from the date of original installation, this Sub-Zero product warranty covers all parts and labor to repair or replace, under normal residential use, any part of the product that proves to be defective in materials or workmanship. All service provided by Sub-Zero under the above warranty must be performed by Sub-Zero Factory Certified Service, unless otherwise specified by Sub-Zero, Inc. Service will be provided during normal business hours.

#### FULL FIVE YEAR SEALED SYSTEM WARRANTY

For five years from the date of original installation, this Sub-Zero product warranty covers all parts and labor to repair or replace, under normal residential use, these parts that prove to be defective in materials or workmanship: compressor, condenser, evaporator, drier and all connecting tubing. All service provided by Sub-Zero under the above warranty must be performed by Sub-Zero Factory Certified Service, unless otherwise specified by Sub-Zero, Inc. Service will be provided during normal business hours.

#### LIMITED TWELVE YEAR SEALED SYSTEM WARRANTY

For twelve years from the date of original installation, Sub-Zero will repair or replace the following parts that prove to be defective in materials or workmanship: compressor, condenser, evaporator, drier and all connecting tubing. If the owner uses Sub-Zero Factory Certified Service, the service provider will repair or replace these parts with the owner paying for all other costs, including labor. If the owner uses non-certified service, the owner must contact Sub-Zero, Inc. (using the information below) to receive repaired or replacement parts. Sub-Zero will not reimburse the owner for parts purchased from non-certified service or other sources.

#### TERMS APPLICABLE TO EACH WARRANTY

The warranty applies only to products installed for normal residential use. The warranty applies only to products installed in any one of the fifty states of the United States, the District of Columbia or the ten provinces of Canada. This warranty does not cover any parts or labor to correct any defect caused by negligence, accident or improper use, maintenance, installation, service or repair.

**THE REMEDIES DESCRIBED ABOVE FOR EACH WARRANTY ARE THE ONLY ONES THAT SUB-ZERO, INC. WILL PROVIDE, EITHER UNDER THIS WARRANTY OR UNDER ANY WARRANTY ARISING BY OPERATION OF LAW. SUB-ZERO, INC. WILL NOT BE RESPONSIBLE FOR ANY CONSEQUENTIAL OR INCIDENTAL DAMAGES ARISING FROM THE BREACH OF THIS WARRANTY OR ANY OTHER WARRANTY, WHETHER EXPRESS, IMPLIED OR STATUTORY.**

Some states do not allow the exclusion or limitation of incidental or consequential damages, so the above limitation or exclusion may not apply to you. This warranty gives you specific legal rights and you may also have other legal rights that vary from state to state.

To receive parts and/or service and the name of Sub-Zero Factory Certified Service nearest you, contact Sub-Zero, Inc., P.O. Box 44848, Madison, WI 53744; check the Product Support section of our website, [subzero.com](http://subzero.com), email us at [customerservice@subzero.com](mailto:customerservice@subzero.com), or call 800-222-7820.

\*Stainless steel (doors, panels, handles, product frames and interior surfaces) are covered by a limited 60-day parts and labor warranty for cosmetic defects.

\*Replacement water filters and air purification cartridges are not covered by the product warranty.



## Sub-Zero Outdoor Limited Warranty\*

### FOR RESIDENTIAL USE

#### FULL ONE YEAR WARRANTY\*\*

For one year from the date of original installation, this Sub-Zero product warranty covers all parts and labor to repair or replace, under normal residential use, any part of the product that proves to be defective in materials or workmanship. All service provided by Sub-Zero under the above warranty must be performed by Sub-Zero Factory Certified Service, unless otherwise specified by Sub-Zero, Inc. Service will be provided during normal business hours.

#### FULL FIVE YEAR SEALED SYSTEM WARRANTY

For five years from the date of original installation, this Sub-Zero product warranty covers all parts and labor to repair or replace, under normal residential use, these parts that prove to be defective in materials or workmanship: compressor, condenser, evaporator, drier and all connecting tubing. All service provided by Sub-Zero under the above warranty must be performed by Sub-Zero Factory Certified Service, unless otherwise specified by Sub-Zero, Inc. Service will be provided during normal business hours.

#### TERMS APPLICABLE TO EACH WARRANTY

The warranty applies only to products installed for normal residential use. The warranty applies only to products installed in any one of the fifty states of the United States, the District of Columbia or the ten provinces of Canada. This warranty does not cover any parts or labor to correct any defect caused by negligence, accident or improper use, maintenance, installation, service or repair.

**THE REMEDIES DESCRIBED ABOVE FOR EACH WARRANTY ARE THE ONLY ONES THAT SUB-ZERO, INC. WILL PROVIDE, EITHER UNDER THIS WARRANTY OR UNDER ANY WARRANTY ARISING BY OPERATION OF LAW. SUB-ZERO, INC. WILL NOT BE RESPONSIBLE FOR ANY CONSEQUENTIAL OR INCIDENTAL DAMAGES ARISING FROM THE BREACH OF THIS WARRANTY OR ANY OTHER WARRANTY, WHETHER EXPRESS, IMPLIED OR STATUTORY.**

Some states do not allow the exclusion or limitation of incidental or consequential damages, so the above limitation or exclusion may not apply to you. This warranty gives you specific legal rights and you may also have other legal rights that vary from state to state.

To receive parts and/or service and the name of Sub-Zero Factory Certified Service nearest you, contact Sub-Zero, Inc., P.O. Box 44848, Madison, WI 53744; check the Product Support section of our website, [subzero.com](http://subzero.com), email us at [customerservice@subzero.com](mailto:customerservice@subzero.com), or call 800-222-7820.

\*Product must be approved for outdoor use, designated by model and serial number.

\*\*Stainless steel (doors, panels, handles, product frames and interior surfaces) are covered by a limited 60-day parts and labor warranty for cosmetic defects.

\*\*Replacement water filters are not covered by the product warranty.



## Sub-Zero Display Products Limited Warranty\*

### FOR RESIDENTIAL USE

#### FULL ONE YEAR WARRANTY\*\*

For one year from the date of original installation, this Sub-Zero product warranty covers all parts and labor to repair or replace, under normal residential use, any part of the product that proves to be defective in materials or workmanship. All service provided by Sub-Zero under the above warranty must be performed by Sub-Zero Factory Certified Service, unless otherwise specified by Sub-Zero, Inc. Service will be provided during normal business hours.

#### LIMITED FIVE YEAR SEALED SYSTEM WARRANTY

For five years from the date of original installation, Sub-Zero will repair or replace the following parts that prove to be defective in materials or workmanship: compressor, condenser, evaporator, drier and all connecting tubing. If the owner uses Sub-Zero Factory Certified Service, the service provider will repair or replace these parts with the owner paying for all other costs, including labor. If the owner uses non-certified service, the owner must contact Sub-Zero, Inc. (using the information below) to receive repaired or replacement parts. Sub-Zero will not reimburse the owner for parts purchased from non-certified service or other sources.

#### TERMS APPLICABLE TO EACH WARRANTY

The warranty applies only to products installed for normal residential use. The warranty applies only to products installed in any one of the fifty states of the United States, the District of Columbia or the ten provinces of Canada. This warranty does not cover any parts or labor to correct any defect caused by negligence, accident or improper use, maintenance, installation, service or repair.

**THE REMEDIES DESCRIBED ABOVE FOR EACH WARRANTY ARE THE ONLY ONES THAT SUB-ZERO, INC. WILL PROVIDE, EITHER UNDER THIS WARRANTY OR UNDER ANY WARRANTY ARISING BY OPERATION OF LAW. SUB-ZERO, INC. WILL NOT BE RESPONSIBLE FOR ANY CONSEQUENTIAL OR INCIDENTAL DAMAGES ARISING FROM THE BREACH OF THIS WARRANTY OR ANY OTHER WARRANTY, WHETHER EXPRESS, IMPLIED OR STATUTORY.**

Some states do not allow the exclusion or limitation of incidental or consequential damages, so the above limitation or exclusion may not apply to you. This warranty gives you specific legal rights and you may also have other legal rights that vary from state to state.

To receive parts and/or service and the name of Sub-Zero Factory Certified Service nearest you, contact Sub-Zero, Inc., P.O. Box 44848, Madison, WI 53744; check the Product Support section of our website, [subzero.com](http://subzero.com), email us at [customerservice@subzero.com](mailto:customerservice@subzero.com), or call 800-222-7820.

\*Display products sold more than three years from date of manufacture.

\*\*Stainless steel (doors, panels, handles, product frames and interior surfaces) are covered by a limited 60-day parts and labor warranty for cosmetic defects.

\*\*Replacement water filters and air purification cartridges are not covered by the product warranty.



## Sub-Zero Non-Residential Limited Warranty

### FOR NON-RESIDENTIAL USE

#### FULL ONE YEAR WARRANTY\*

For one year from the date of original installation, this Sub-Zero product warranty covers all parts and labor to repair or replace, under normal use, any part of the product that proves to be defective in materials or workmanship. All service provided by Sub-Zero under the above warranty must be performed by Sub-Zero Factory Certified Service, unless otherwise specified by Sub-Zero, Inc. Service will be provided during normal business hours.

#### LIMITED FIVE YEAR SEALED SYSTEM WARRANTY

For five years from the date of original installation, Sub-Zero will repair or replace the following parts that prove to be defective in materials or workmanship: compressor, condenser, evaporator, drier and all connecting tubing. If the owner uses Sub-Zero Factory Certified Service, the service provider will repair or replace these parts with the owner paying for all other costs, including labor. If the owner uses non-certified service, the owner must contact Sub-Zero, Inc. (using the information below) to receive repaired or replacement parts. Sub-Zero will not reimburse the owner for parts purchased from non-certified service or other sources.

#### TERMS APPLICABLE TO EACH WARRANTY

The warranty applies only to products installed for normal use. The warranty applies only to products installed in any one of the fifty states of the United States, the District of Columbia or the ten provinces of Canada. This warranty does not cover any parts or labor to correct any defect caused by negligence, accident or improper use, maintenance, installation, service or repair.

**THE REMEDIES DESCRIBED ABOVE FOR EACH WARRANTY ARE THE ONLY ONES THAT SUB-ZERO, INC. WILL PROVIDE, EITHER UNDER THIS WARRANTY OR UNDER ANY WARRANTY ARISING BY OPERATION OF LAW. SUB-ZERO, INC. WILL NOT BE RESPONSIBLE FOR ANY CONSEQUENTIAL OR INCIDENTAL DAMAGES ARISING FROM THE BREACH OF THIS WARRANTY OR ANY OTHER WARRANTY, WHETHER EXPRESS, IMPLIED OR STATUTORY.**

Some states do not allow the exclusion or limitation of incidental or consequential damages, so the above limitation or exclusion may not apply to you. This warranty gives you specific legal rights and you may also have other legal rights that vary from state to state.

To receive parts and/or service and the name of Sub-Zero Factory Certified Service nearest you, contact Sub-Zero, Inc., P.O. Box 44848, Madison, WI 53744; check the Product Support section of our website, [subzero.com](http://subzero.com), email us at [customerservice@subzero.com](mailto:customerservice@subzero.com), or call 800-222-7820.

\*Stainless steel (doors, panels, handles, product frames and interior surfaces) are covered by a limited 60-day parts and labor warranty for cosmetic defects.

\*Replacement water filters and air purification cartridges are not covered by the product warranty.



20

21



SUB-ZERO, INC. • P.O. BOX 44130 MADISON, WI 53744 • SUBZERO.COM • 800-222-7820

Distributed by: Trevarrow, Inc.  
1295 N Opdyke Rd Auburn Hills MI 48326 248.377.2300 800.482.1948  
12610 Corporate Dr Cleveland OH 44130 216.362.9200 800.362.2807