



## U.S. MAP PRICE BOOK

---

2020



Distinctive  
Appliances  

---

Distributing<sub>INC.</sub>

Distinctive Appliances Distributing  
51155 Grand River Avenue  
Wixom MI 48393

**TELEPHONE: 844.380.2007**

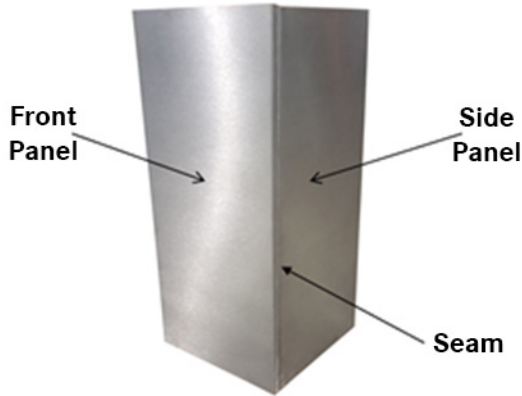
This PDF file is interactive on the majority of the vent hoods displayed in this book. Simply click on the vent image and it will take you to that product on the Vent A Hood website for additional information. You can download installation instructions, specs, etc. from there and get any product updates.

# NEW Wall Mount Duct Covers - WDCRND

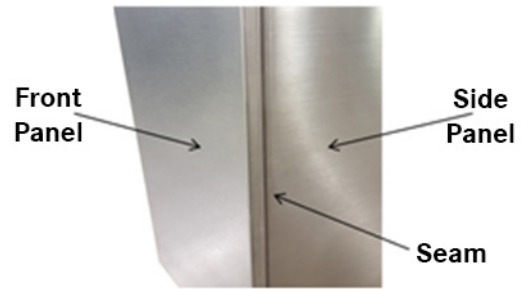
For 2020 a new Vent A Hood wall mounted duct cover with a removable front panel that provides stronger support and easier installation than previous duct covers. The new model numbers start with "WDCRND" = Wall, Duct Cover, Removable, New Design, followed by numbers for the width and height

The removable panel provides easier access to mount the duct cover. The wall mounting is simple, easy and provides for a stronger structure. Does not apply to contoured, convex or rounded duct covers.

**FRONT VIEW**



**FRONT VIEW CLOSE UP**



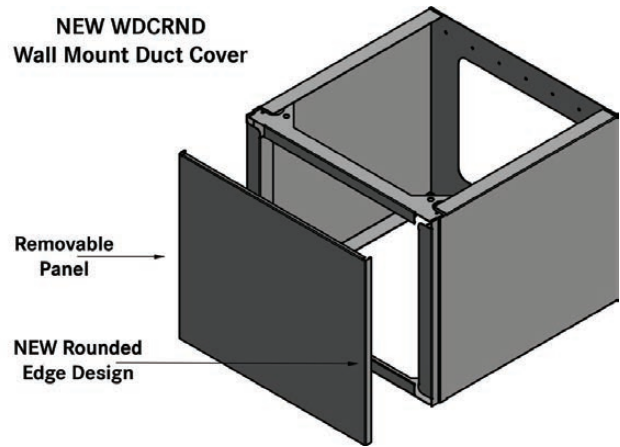
**CLIP**



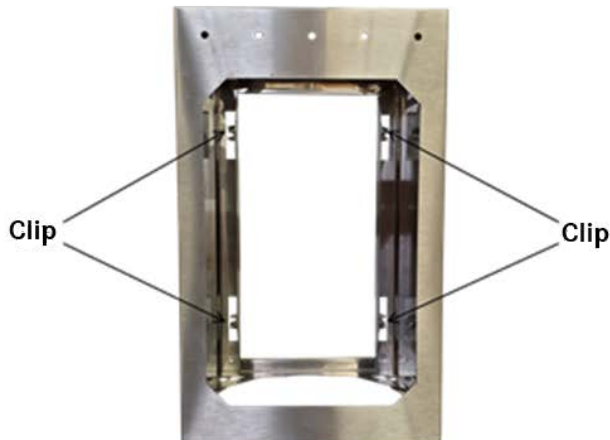
**TAB**



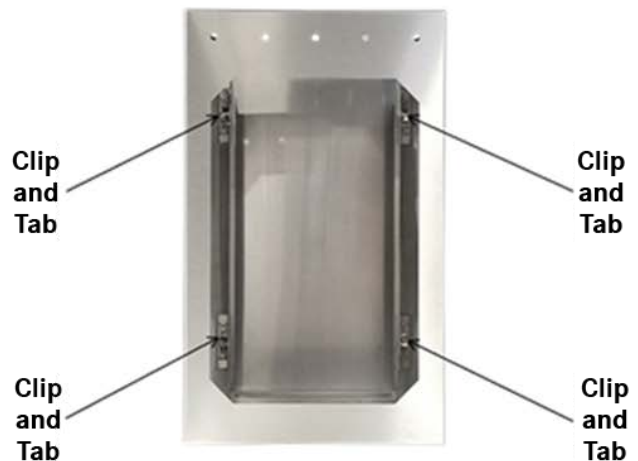
**NEW WDCRND  
Wall Mount Duct Cover**



**BACK VIEW - FRONT PANEL UNINSTALLED**



**BACK VIEW - FRONT PANEL INSTALLED**





## TERMS AND CONDITIONS OF SALE

1. Prices:
  - a. All prices are subject to change at any time without notice.
  - b. All prices are F.O.B. Vent-A-Hood® Company, Richardson, Texas.
2. Cancellation:
  - a. Hoods which are fabricated to purchase orders are non-cancelable upon acceptance by the factory.
  - b. Any change orders must be confirmed in writing to Vent-A-Hood® at the address below and are subject to our ability to conform.

Distinctive Appliances Distributing  
51155 Grand River Avenue,  
Wixom MI 48393

3. Returns:
  - a. No merchandise may be returned without an authorized, written Sales Return Order with shipping instructions.
  - b. Authorized returns are subject to a minimum 25% restocking charge and freight charges.
  - c. Special order items are not subject to return or cancellation.
4. Quick Ship:
  - a. Shaded boxed prices in this document indicate quick ship products. Quick ship products are typically manufactured within two to four weeks. Quick ship painted product finishes include black, gunsmoke, and white.
5. Vent-A-Hood® Warranty
  - a. Vent-A-Hood® merchandise is manufactured in accordance with Vent-A-Hood®'s high standards and carries a limited warranty.
  - b. **Vent-A-Hood® Magic Lung® Warranty:**

Vent-A-Hood® warrants to the original consumer-purchaser its Magic Lung® products to be free of defects in material and workmanship for a period of five years on parts and one year on labor from the date of purchase with the following limitations:

- A. Freight damage
- B. Blower wheel damage
- C. Light bulbs
- D. Damage or malfunction caused by faulty installation
- E. Incidental or consequential damage
- F. Commercial application
- G. Misapplication or modification of or to any part of the Vent-A-Hood® product

- c. **Vent-A-Hood® V-Line, ARS, M Series, and Remote Blower Warranty:**

Vent-A-Hood warrants to the original consumer-purchaser its products to be free of defects in material and workmanship for a period of one year from the date of purchase with the following limitations:

- A. Freight damage
- B. Blower wheel damage
- C. Light bulbs
- D. Damage or malfunction caused by faulty installation
- E. Incidental or consequential damage
- F. Commercial application
- G. Misapplication or modification of or to any part of the Vent-A-Hood® product

- d. To make a warranty claim, contact the dealer where the hood was purchased. They will contact the appropriate service agent. It is not necessary to register the product directly with Vent-A-Hood®.

Additional terms and conditions may apply.



# TABLE OF CONTENTS - BY APPLICATION/HOOD TYPE

<b>MAGIC LUNG®</b>	<b>7</b>	LINER INSERTS	41
UNDER CABINET	8	WALL MOUNT LINER INSERTS	41
PRH9	8	BHSLD	41
NPH9	8	BHPSLD	41
SLH9	8	BHPSLB	41
XRH9	8	TLH	42
CLH9	9	ISLAND LINER INSERTS	43
JCWR9	9	THSLE	43
WALL MOUNT	10	THPSLE	43
PROFESSIONAL/STANDARD WALL MOUNT	10	CUSTOM LINER INSERTS	44
PRH18	10	BH-LD	44
NPH18	10	BH-LB	44
SLH18	10	TH-LC	45
XRH18	11	TH-LE	45
DAH18	11	OTHER ITEMS	46
PWVH18	11	BLOWER OPTIONS	46
CXH30	13	REMOTE BLOWERS	47
DAH30	13	SPLASH PANELS	48
PWVH30	13	WARMING LAMPS & SHELVES	49
SLH30	14	ACCESSORY RAIL	50
AH12	15	BBQ EXTENSION	51
CWH	16	BANDS, FINISHES, & POT RAILS	52
DESIGNER SERIES WALL MOUNT	17	BAND & LIP TREATMENT ATTACHMENTS	53
JCH/A1	17	<b>POWER LUNG</b>	<b>54</b>
JCH/B1	18	UNDER CABINET	55
JCH/C1	19	PRH6-K	55
JCH/C2	20	SLH6-K	55
JDH/C1	20	WALL MOUNT LINER INSERT	55
JDH/C2	20	KHSLD	55
JDH/C3	21	CONTEMPORARY WALL MOUNT	56
JPH/C1	21	CWEH6-K	56
JPH/C2	21	GTH-K	56
JCWR18	22	CONTEMPORARY ISLAND	56
CONTEMPORARY WALL MOUNT	25	CIEH6-K	56
CWEH9	25	EURO-STYLE WALL MOUNT	57
CWLH9	25	PDH7-K	57
CWSH3	26	PDH14-K	57
XLH12	27	<b>ARS DUCT FREE</b>	<b>58</b>
ZTH	28	UNDER CABINET	59
EURO-STYLE WALL MOUNT	29	PRAH6-K	59
PDH14	29	SLAH6-K	59
SLDH14	29	WALL MOUNT LINER INSERT	59
EPH18	30	KAHSLD	59
EPH18	30	CONTEMPORARY WALL MOUNT	60
NEPH18	30	CWEAH6-K	60
NEPTH18	30	CONTEMPORARY ISLAND	60
SEPH18	31	CIEAH6-K	60
SEPTH18	31	EURO-STYLE WALL MOUNT	61
ISLAND	32	PDAH7-K	61
DESIGNER SERIES ISLAND	32	PDAH14-K	61
JCIH/A1	32	EURO-STYLE ISLAND	62
JCIH/B1	32	PYDAH18-K	62
JCIH/C1	33	ISDAH18-K	62
JDIH/C1	34	<b>M SERIES</b>	<b>63</b>
JDIH/C2	34	PROFESSIONAL WALL MOUNT	64
JDIH/C3	35	PRH18-M	64
CONTEMPORARY ISLAND	36	PRH18-M 30D	64
CIEH9	36	CXH18-M	64
CILH9	36	WALL MOUNT LINER INSERTS	65
IZTH	37	MSLD	65
EURO-STYLE ISLAND	38	MPSLD	65
PYDH18	38	<b>PARTS &amp; ACCESSORIES</b>	<b>66</b>
ISDH18	38	VENTING ACCESSORIES	66
EPIH18	38	REPLACEMENT PARTS	67
SEPIH18	38		
EPITH18	39		
SEPITH18	39		
OTHER ISLAND STYLES	40		

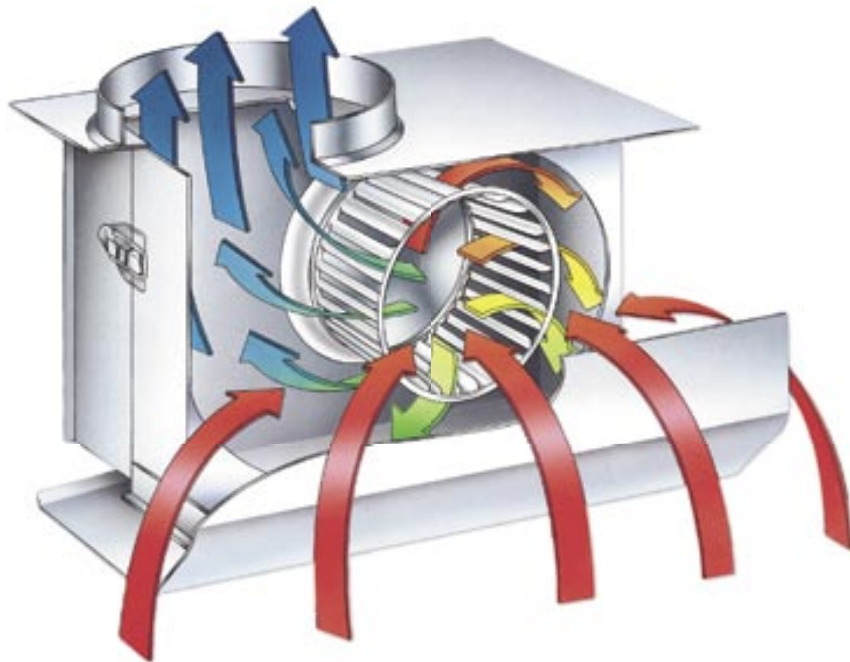
# TABLE OF CONTENTS - BY MODEL NUMBER

AH12	15	SEPH18	31
BH-LB	44	SEPIH18	38
BH-LD	44	SEPITH18	39
BHPSLB	41	SEPTH18	31
BHPSLD	41	SLAH6-K	59
BHSLD	41	SLDH14	29
CIEAH6-K	60	SLH6-K	55
CIEH6-K	56	SLH9	8
CIEH9	36	SLH18	10
CILH9	36	SLH30	14
CLH9	9	TH-LC	45
CWEAH6-K	60	TH-LE	45
CWEH6-K	56	THPSLE	43
CWEH9	25	THSLE	43
CWH	16	TLH	42
CWLH9	25	XLH12	27
CWSH3	26	XRH9	8
CXH18-M	64	XRH18	11
CXH30	13	ZTH	28
DAH18	11		
DAH30	13		
EPH18	30		
EPIH18	38		
EPITH18	39		
EPTH18	30		
GTH-K	56		
ISDAH18-K	62		
ISDH18	38		
IZTH	37		
JCH/A1	17		
JCH/B1	18		
JCH/C1	19		
JCH/C2	20		
JCIH/A1	32		
JCIH/B1	32		
JCIH/C1	33		
JCWR9	9		
JCWR18	22		
JDH/C1	20		
JDH/C2	20		
JDH/C3	21		
JDIH/C1	34		
JDIH/C2	34		
JDIH/C3	35		
JPH/C1	21		
JPH/C2	21		
KAHSLD	59		
KHSLD	55		
MPSLD	65		
MSLD	65		
NEPH18	30		
NEPTH18	30		
NPH9	8		
NPH18	10		
PDAH7-K	61		
PDAH14-K	61		
PDH7-K	57		
PDH14	29		
PDH14-K	57		
PRAH6-K	59		
PRH6-K	55		
PRH9	8		
PRH18	10		
PRH18-M	64		
PRH18-M 30D	64		
PWVH18	11		
PWVH30	13		
PYDAH18-K	62		
PYDH18	38		

Vent-A-Hood®

MAGIC LUNG®

RANGE HOODS



For over 70 years, Vent-A-Hood has utilized the unique Magic Lung® blower technology in its residential range hoods. The blower is widely regarded as being the **most powerful, quietest, most efficient, and easiest-to-clean** on the market today.

Did you know that Vent-A-Hood is also well known for its commitment to balancing **form** and **function**?

The models contained within this catalog combine the performance of the unique Magic Lung® blower technology with distinctive hood styles that are designed to complement today's kitchen.

Featuring SensaSource® Heat Sensing Technology:

If the two speed motor is turned to "LOW", the heat sensor (SensaSource) monitors cooking activity. If the heat reaches an unacceptable level inside the hood or a range fire occurs, the two speed motor will switch from "LOW" to full power automatically. The sensor will return the motor to the "LOW" level when the heat subsides or the hood may be turned off manually.

# THE VENT-A-HOOD DIFFERENCE

## GREASE EXTRACTION

Laboratory testing of competitive units shows that only about 30% of the grease is collected in the filter during typical residential cooking.



The Magic Lung® centrifugal grease extractor collects 99% of the grease 100% of the time

## EASY TO CLEAN

In other brands, cleaning the grease from behind the filter is nearly impossible. Access is limited by components and sharp protrusions. Even the motor gets greasy.



The new in-the-shield grease tray makes routine cleaning easier than ever. If desired, the Magic Lung® Blower comes apart for easy cleaning in soapy water or a dishwasher.

## QUIET & POWERFUL

Variable speed blowers in competitive units become louder and louder as CFM increases.



Each Magic Lung® blower supplies 300 CFM of air flow – combining multiple blowers will meet any air flow requirement without increasing the noise level.

## FIRE SAFETY

Cooking fires are the leading cause of home fires (150,000 per year – NFPA). Filters are flammable and can sustain a secondary fire near the inlet to the blower leading to a duct fire. Fire insurance claims against filtered hoods are common.



The Magic Lung® Constant-Speed Blower is designed to keep grease and flame from entering the duct. In over 80 years Vent-A-Hood has never received a report of an attic or wall fire when the Magic Lung® has been in use.

## EFFICIENT

Filters in competitive units obstruct air flow and spoil the collector properties of the canopy.

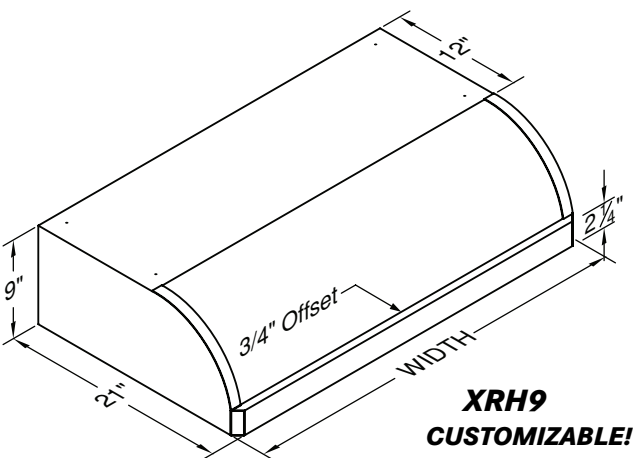
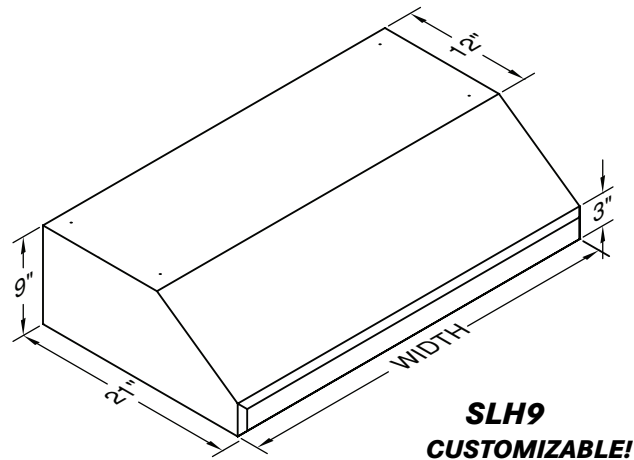
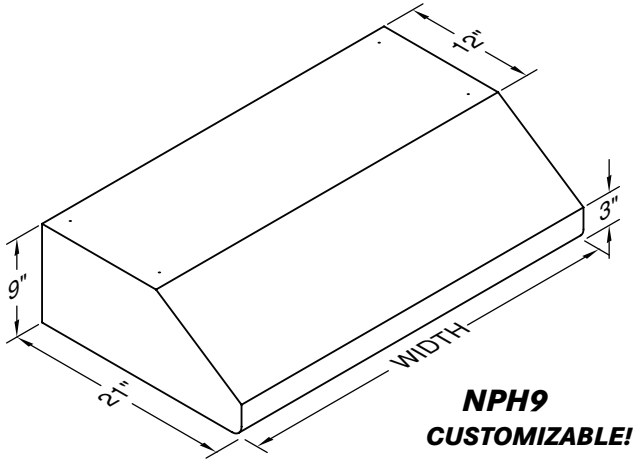
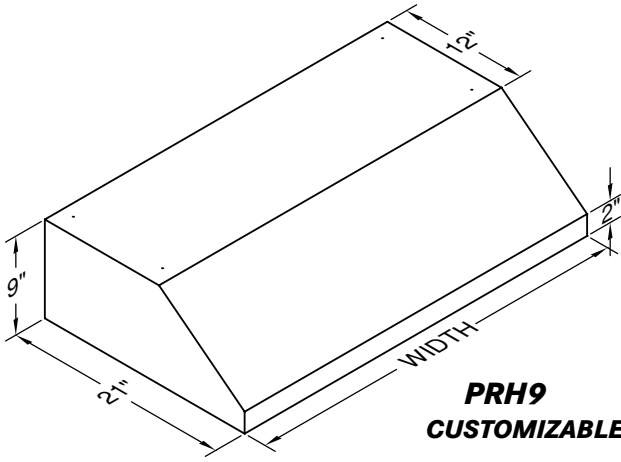


A range hood equipped with the Magic Lung® blower system is a wide open, active collector that invites contaminants in. A proper collector is the most critical element for good cooking ventilation and requires 1/3 less air flow than a filter-style range hood.



We've got you covered with the best warranty in the industry. Vent-A-Hood has long been the most respected name in ventilation. Our products are guaranteed to work and we stand on over 80 years of manufacturing the highest quality ventilation products. Our family is devoted to your satisfaction.

# UNDER CABINET



## PRH9

Model No.	CFM	Width	Painted	Stainless	Overlay*
PRH9-130	300	30"	834	1,059	1,609
PRH9-136		36"	834	1,059	1,609
PRH9-142		42"	992	1,217	1,815
PRH9-148		48"	1,043	1,269	1,866
PRH9-230	600	30"	1,199	1,456	1,971
PRH9-236		36"	1,199	1,456	1,971
PRH9-242		42"	1,355	1,615	2,178
PRH9-248		48"	1,405	1,665	2,229
PRH9-342	900	42"	1,740	2,089	2,563
PRH9-348		48"	1,790	2,141	2,614
PRH9-448	1200	48"	2,153	2,537	2,977

\* FOR OVERLAY MODELS, SPECIFY INTERIOR COLOR.

**RECOMMENDED MOUNTING HEIGHT FROM  
COOKING SURFACE: 24" - 27"**

## NPH9

Model No.	CFM	Width	Painted	Stainless	Overlay*
NPH9-130	300	30"	1,012	1,335	1,975
NPH9-136		36"	1,012	1,335	1,975
NPH9-142		42"	1,218	1,569	2,257
NPH9-148		48"	1,280	1,632	2,333
NPH9-230	600	30"	1,374	1,732	2,338
NPH9-236		36"	1,374	1,732	2,338
NPH9-242		42"	1,581	1,965	2,619
NPH9-248		48"	1,643	2,029	2,695
NPH9-342	900	42"	1,966	2,441	3,005
NPH9-348		48"	2,028	2,504	3,081
NPH9-448	1200	48"	2,390	2,901	3,443

\* FOR OVERLAY MODELS, SPECIFY INTERIOR COLOR.

**RECOMMENDED MOUNTING HEIGHT FROM  
COOKING SURFACE: 24" - 27"**

## SLH9

Model No.	CFM	Width	Painted	Stainless	Overlay*
SLH9-130	300	30"	1,012	1,335	1,975
SLH9-136		36"	1,012	1,335	1,975
SLH9-142		42"	1,218	1,569	2,257
SLH9-148		48"	1,280	1,632	2,333
SLH9-230	600	30"	1,374	1,732	2,338
SLH9-236		36"	1,374	1,732	2,338
SLH9-242		42"	1,581	1,965	2,619
SLH9-248		48"	1,643	2,029	2,695
SLH9-342	900	42"	1,966	2,441	3,005
SLH9-348		48"	2,028	2,504	3,081
SLH9-448	1200	48"	2,390	2,901	3,443

\* FOR OVERLAY MODELS, SPECIFY INTERIOR COLOR.

**RECOMMENDED MOUNTING HEIGHT FROM  
COOKING SURFACE: 24" - 27"**

## XRH9

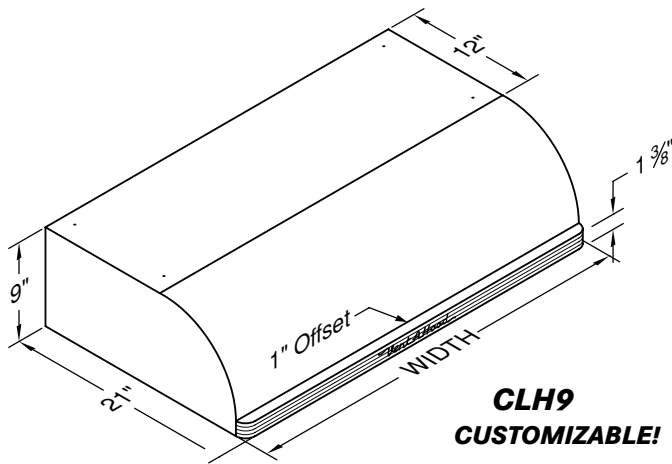
Model No.	CFM	Width	Painted	Stainless	Overlay*
XRH9-130	300	30"	1,059	1,404	2,081
XRH9-136		36"	1,059	1,404	2,081
XRH9-142		42"	1,246	1,607	2,306
XRH9-148		48"	1,312	1,672	2,383
XRH9-230	600	30"	1,422	1,802	2,444
XRH9-236		36"	1,422	1,802	2,444
XRH9-242		42"	1,609	2,003	2,669
XRH9-248		48"	1,674	2,069	2,746
XRH9-342	900	42"	1,994	2,479	3,054
XRH9-348		48"	2,060	2,544	3,131
XRH9-448	1200	48"	2,422	2,941	3,493

\* FOR OVERLAY MODELS, SPECIFY INTERIOR COLOR.

\* THERE ARE NO STANDARD BANDS ON OVERLAY MODELS.

1" SS BANDS INCLUDED ON PAINTED AND STAINLESS MODELS.

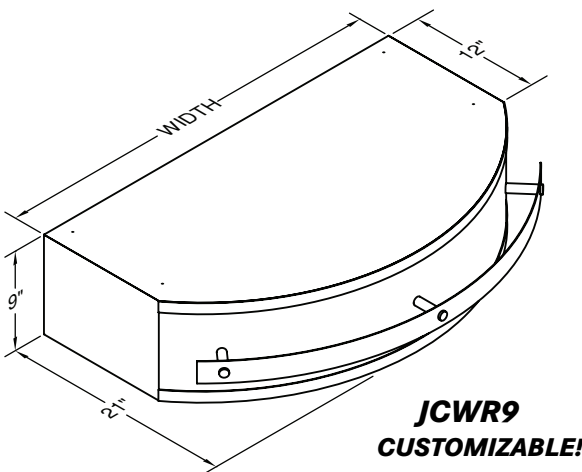
# UNDER CABINET



## CLH9

Model No.	CFM	Width	Painted
CLH9-130	300	30"	1,059
CLH9-136		36"	1,059
CLH9-142		42"	1,246
CLH9-148		48"	1,312
CLH9-230	600	30"	1,422
CLH9-236		36"	1,422
CLH9-242		42"	1,609
CLH9-248		48"	1,674
CLH9-342	900	42"	1,994
CLH9-348		48"	2,060
CLH9-448	1200	48"	2,422

**RECOMMENDED MOUNTING HEIGHT FROM COOKING SURFACE: 24" - 27"**



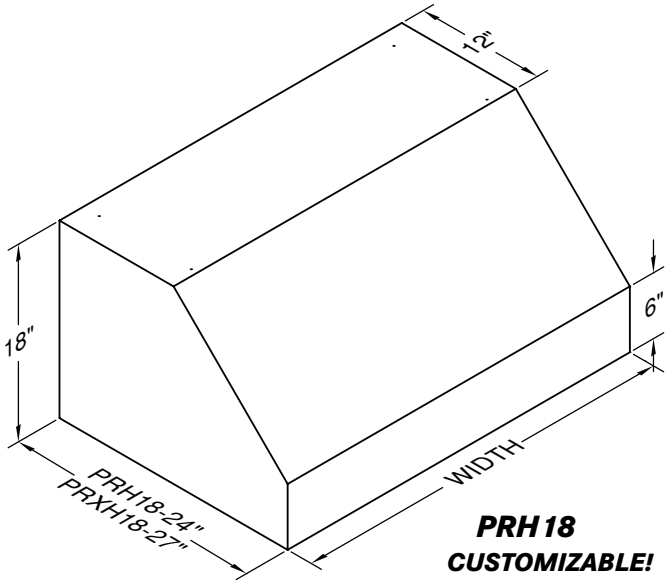
## JCWR9

Model No.	CFM	Width	Stainless
JCWR9-130	300	30"	1,835
JCWR9-136		36"	1,847
JCWR9-142		42"	2,061
JCWR9-148		48"	2,139
JCWR9-230	600	30"	2,196
JCWR9-236		36"	2,210
JCWR9-242		42"	2,423
JCWR9-248		48"	2,501
JCWR9-342	900	42"	2,808
JCWR9-348		48"	2,886
JCWR9-448	1200	48"	3,249

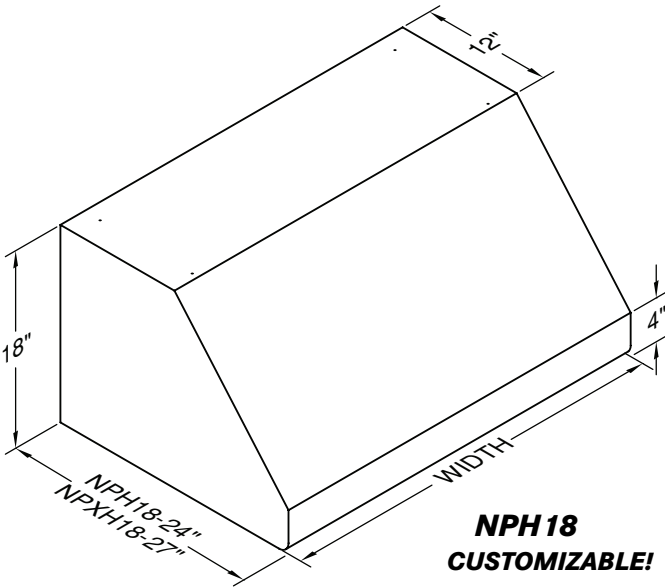
**RECOMMENDED MOUNTING HEIGHT FROM COOKING SURFACE: 24" - 27"**

<b>9" TALL UNDER CABINET VARIATIONS</b>			
<b>WIDTHS OVER 48"</b>			
FOR EACH 6" INCREMENT	PAINTED	STAINLESS	OVERLAY
PLUS	138	187	224
		226	
<b>SPECIAL WIDTH (LESS THAN 48")</b>			
USE NEXT LARGEST SIZE ON PRICE LIST,			
PLUS		226	
<b>STAINLESS STEEL INTERIOR ON OVERLAY HOOD</b>			
SUBTRACT PAINTED HOOD PRICE FROM STAINLESS HOOD PRICE			
<b>CUSTOM COLOR (SEE CUSTOM COLOR CHART)</b>			
ADD		680	
<b>SPECIAL BLOWER LOCATION</b>			
LEFT TO RIGHT, SPECIFY COLLAR CENTERLINE			
ADD			
226			
<b>REMOTE BLOWER OPTIONS</b>			
SEE PAGES 46-47 FOR REMOTE BLOWER OPTIONS			
<b>TRIM OPTIONS</b>			
XR HOOD TRIM, NON-STANDARD COLOR			
112			
XR HOOD TRIM, REMOVE			
112			
SEE PAGES 52-53 FOR FINISH AND TRIM OPTIONS			
<b>WARMING LAMPS AND SHELVES</b>			
SEE PAGES 49 FOR WARMING LAMP AND SHELF OPTIONS			

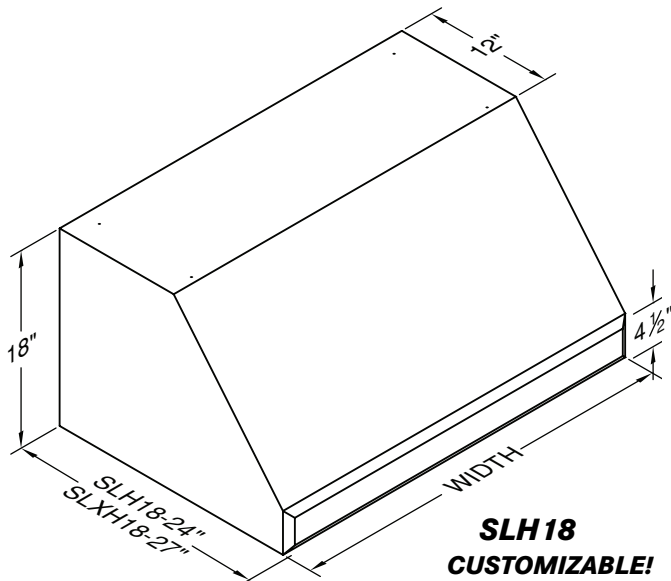
# PROFESSIONAL/STANDARD WALL MOUNT



**PRH 18  
CUSTOMIZABLE!**



**NPH 18  
CUSTOMIZABLE!**



**SLH 18  
CUSTOMIZABLE!**

## PRH 18/PRXH 18

Model No.	CFM	Width	Painted	Stainless	Overlay*
PRH 18-130	300	30"	1,221	1,673	2,523
PRH 18-136		36"	1,245	1,697	2,631
PRH 18-142		42"	1,422	1,850	2,905
PRH 18-148		48"	1,495	1,959	3,050
PRH 18-230	600	30"	1,584	2,070	2,885
PRH 18-236		36"	1,608	2,093	2,993
PRH 18-242		42"	1,784	2,246	3,268
PRH 18-248		48"	1,918	2,355	3,412
PRH 18-254	900	54"	2,179	2,845	3,988
PRH 18-342		42"	2,169	2,722	3,653
PRH 18-348		48"	2,242	2,831	3,798
PRH 18-354		54"	2,564	3,321	4,373
PRH 18-360	1200	60"	2,769	3,599	4,722
PRH 18-448		48"	2,605	3,227	4,160
PRH 18-454		54"	2,926	3,717	4,734
PRH 18-460		60"	3,132	3,996	5,085
PRH 18-466		66"	3,264	4,079	5,361

USE PRXH18 MODEL NUMBER PREFIX FOR 27" DEPTH PROJECTION.

\*FOR OVERLAY MODELS, SPECIFY INTERIOR COLOR.

**RECOMMENDED MOUNTING HEIGHT FROM  
COOKING SURFACE: 30". Transition not included.**

## NPH 18/NPXH 18

Model No.	CFM	Width	Painted	Stainless	Overlay*
NPH 18-130	300	30"	1,631	2,130	2,933
NPH 18-136		36"	1,656	2,155	3,042
NPH 18-142		42"	1,893	2,320	3,315
NPH 18-148		48"	1,904	2,416	3,457
NPH 18-230	600	30"	1,994	2,528	3,295
NPH 18-236		36"	2,017	2,552	3,403
NPH 18-242		42"	2,195	2,717	3,677
NPH 18-248		48"	2,267	2,812	3,821
NPH 18-254	900	54"	2,589	3,256	4,397
NPH 18-342		42"	2,580	3,193	4,063
NPH 18-348		48"	2,652	3,288	4,206
NPH 18-354		54"	2,974	3,732	4,783
NPH 18-360	1200	60"	3,179	4,008	5,144
NPH 18-448		48"	3,015	3,686	4,569
NPH 18-454		54"	3,336	4,128	5,145
NPH 18-460		60"	3,542	4,405	5,507
NPH 18-466		66"	3,687	4,573	5,772

USE NPXH18 MODEL NUMBER PREFIX FOR 27" DEPTH PROJECTION.

\*FOR OVERLAY MODELS, SPECIFY INTERIOR COLOR.

**RECOMMENDED MOUNTING HEIGHT FROM  
COOKING SURFACE: 30". Transition not included.**

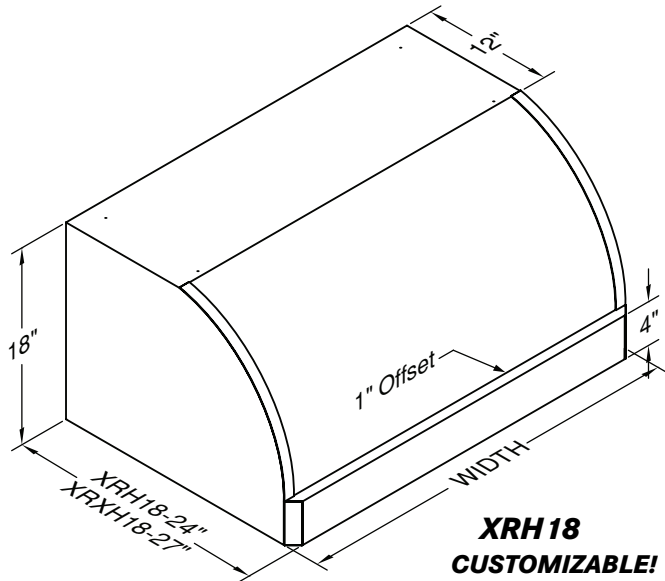
## SLH 18/SLXH 18

Model No.	CFM	Width	Painted	Stainless	Overlay*
SLH 18-130	300	30"	1,631	2,130	2,933
SLH 18-136		36"	1,656	2,155	3,042
SLH 18-142		42"	1,893	2,320	3,315
SLH 18-148		48"	1,904	2,416	3,457
SLH 18-230	600	30"	1,994	2,528	3,295
SLH 18-236		36"	2,017	2,552	3,403
SLH 18-242		42"	2,195	2,717	3,677
SLH 18-248		48"	2,267	2,812	3,821
SLH 18-254	900	54"	2,589	3,256	4,397
SLH 18-342		42"	2,580	3,193	4,063
SLH 18-348		48"	2,652	3,288	4,206
SLH 18-354		54"	2,974	3,732	4,783
SLH 18-360	1200	60"	3,179	4,008	5,144
SLH 18-448		48"	3,015	3,686	4,569
SLH 18-454		54"	3,336	4,128	5,145
SLH 18-460		60"	3,542	4,405	5,507
SLH 18-466		66"	3,687	4,573	5,772

USE SLXH18 MODEL NUMBER PREFIX FOR 27" DEPTH PROJECTION.

\*FOR OVERLAY MODELS, SPECIFY INTERIOR COLOR.

# PROFESSIONAL/STANDARD WALL MOUNT



## XRH 18/XRXH 18

Model No.	CFM	Width	Painted	Stainless	Overlay*
XRH 18-130	300	30"	1,631	2,130	2,933
XRH 18-136		36"	1,656	2,155	3,042
XRH 18-142		42"	1,893	2,320	3,315
XRH 18-148		48"	1,904	2,416	3,457
XRH 18-230	600	30"	1,994	2,528	3,295
XRH 18-236		36"	2,017	2,552	3,403
XRH 18-242		42"	2,195	2,717	3,677
XRH 18-248		48"	2,267	2,812	3,821
XRH 18-254	900	54"	2,589	3,256	4,397
XRH 18-342		42"	2,580	3,193	4,063
XRH 18-348		48"	2,652	3,288	4,206
XRH 18-354		54"	2,974	3,732	4,783
XRH 18-360	1200	60"	3,179	4,008	5,144
XRH 18-448		48"	3,015	3,686	4,569
XRH 18-454		54"	3,336	4,128	5,145
XRH 18-460		60"	3,542	4,405	5,507
XRH 18-466		66"	3,687	4,573	5,772

USE XRXH 18 MODEL NUMBER PREFIX FOR 27" DEPTH PROJECTION.

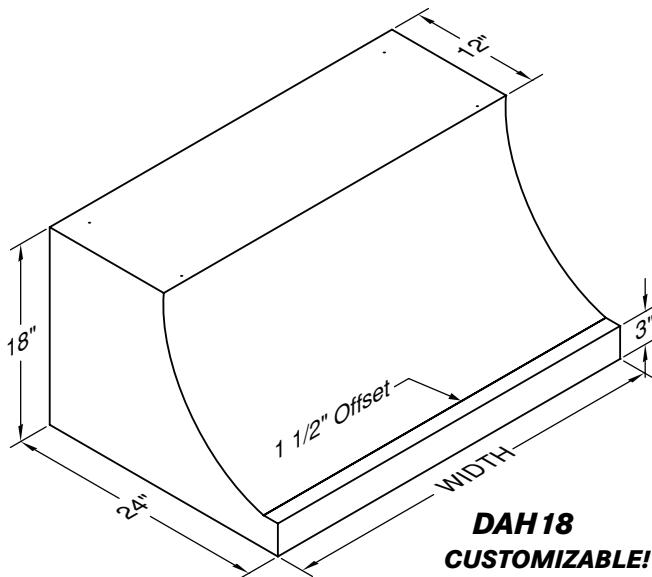
\*FOR OVERLAY MODELS, SPECIFY INTERIOR COLOR.

•THERE ARE NO STANDARD BANDS ON OVERLAY MODELS.

1" SS BANDS INCLUDED ON PAINTED AND STAINLESS MODELS.

**RECOMMENDED MOUNTING HEIGHT FROM COOKING SURFACE: 30". Transition not included.**

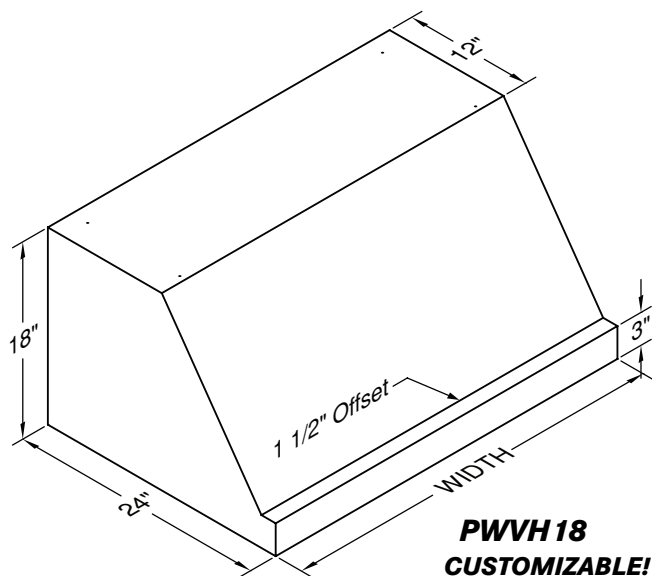
## DAH 18



Model No.	CFM	Width	Painted	Stainless	Overlay*
DAH 18-130	300	30"	1,871	2,399	3,243
DAH 18-136		36"	1,909	2,437	3,356
DAH 18-142		42"	2,090	2,595	3,639
DAH 18-148		48"	2,179	2,709	3,790
DAH 18-230	600	30"	2,233	2,795	3,605
DAH 18-236		36"	2,270	2,833	3,718
DAH 18-242		42"	2,453	2,991	4,002
DAH 18-248		48"	2,541	3,105	4,153
DAH 18-254	900	54"	2,862	3,566	4,751
DAH 18-342		42"	2,838	3,467	4,387
DAH 18-348		48"	2,926	3,581	4,538
DAH 18-354		54"	3,247	4,042	5,136
DAH 18-360	1200	60"	3,462	4,333	5,501
DAH 18-448		48"	3,289	3,977	4,901
DAH 18-454		54"	3,610	4,439	5,499
DAH 18-460		60"	3,824	4,729	5,863
DAH 18-466		66"	3,962	4,908	6,153

\*FOR OVERLAY MODELS, SPECIFY INTERIOR COLOR.

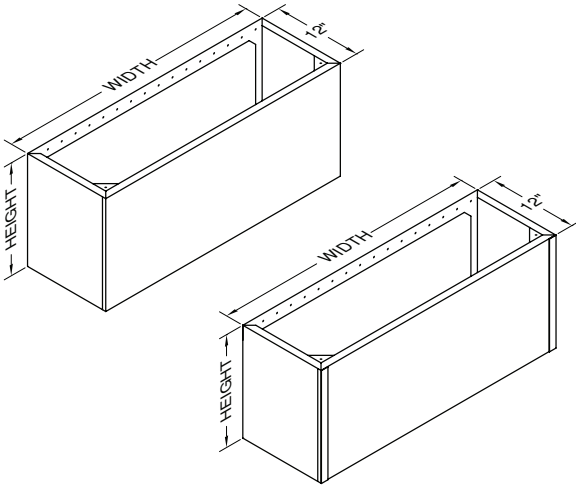
**RECOMMENDED MOUNTING HEIGHT FROM COOKING SURFACE: 30". Transition not included.**



Model No.	CFM	Width	Painted	Stainless	Overlay*
PWVH 18-130	300	30"	1,871	2,399	3,243
PWVH 18-136		36"	1,909	2,437	3,356
PWVH 18-142		42"	2,090	2,595	3,639
PWVH 18-148		48"	2,179	2,709	3,790
PWVH 18-230	600	30"	2,233	2,795	3,605
PWVH 18-236		36"	2,270	2,833	3,718
PWVH 18-242		42"	2,453	2,991	4,002
PWVH 18-248		48"	2,541	3,105	4,153
PWVH 18-254	900	54"	2,862	3,566	4,751
PWVH 18-342		42"	2,838	3,467	4,387
PWVH 18-348		48"	2,926	3,581	4,538
PWVH 18-354		54"	3,247	4,042	5,136
PWVH 18-360	1200	60"	3,462	4,333	5,501
PWVH 18-448		48"	3,289	3,977	4,901
PWVH 18-454		54"	3,610	4,439	5,499
PWVH 18-460		60"	3,824	4,729	5,863
PWVH 18-466		66"	3,962	4,908	6,153

\*FOR OVERLAY MODELS, SPECIFY INTERIOR COLOR.

# PROFESSIONAL/STANDARD WALL MOUNT HOOD DUCT COVERS



## WDCRND/XDCRND

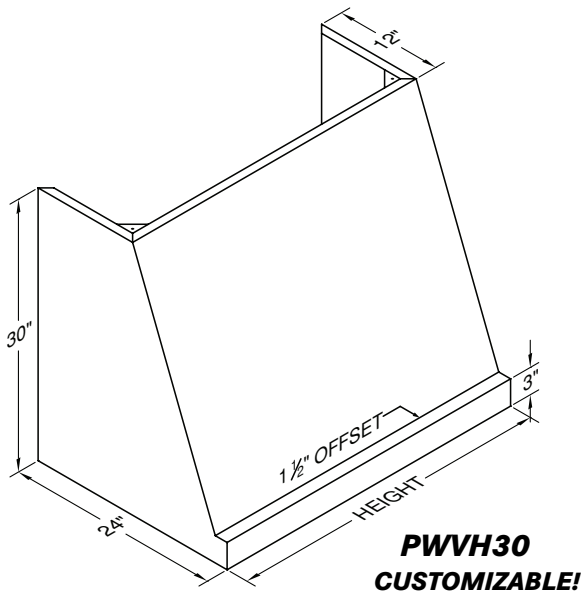
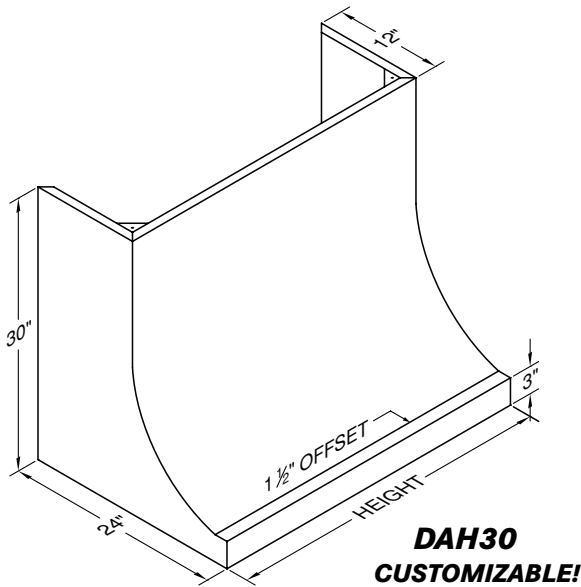
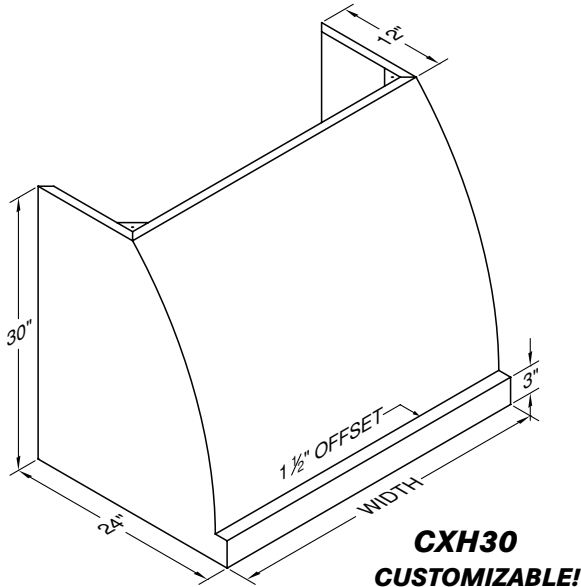
Model No.	Width	Height	Painted	Stainless	Overlay
WDCRND-30	30"	12"	549	648	798
WDCRND-30/24		24"	723	910	1,221
WDCRND-30/36		36"	884	1,184	1,632
WDCRND-36	36"	12"	586	697	884
WDCRND-36/24		24"	785	1,022	1,384
WDCRND-36/36		36"	997	1,346	1,882
WDCRND-42	42"	12"	624	760	959
WDCRND-42/24		24"	860	1,134	1,546
WDCRND-42/36		36"	1,097	1,508	2,131
WDCRND-48	48"	12"	648	810	1,047
WDCRND-48/24		24"	922	1,234	1,720
WDCRND-48/36		36"	1,197	1,658	2,380
WDCRND-54	54"	12"	685	860	1,134
WDCRND-60	60"	12"	723	910	1,221
WDCRND-66	66"	12"	760	972	1,296
CUSTOM	WIDTH X HEIGHT X		0.47	0.75	1.17
	PLUS			386	

USE XDCRND MODEL NUMBER PREFIX FOR XRH18/XRXH18 HOODS.  
1" SS BANDS INCLUDED ON PAINTED AND STAINLESS XDCRND MODELS.

### 18" & 30" TALL WALL MOUNT HOOD VARIATIONS

<b>WIDTHS OVER 66"</b> FOR EACH 6" INCREMENT PLUS	PAINTED	STAINLESS	OVERLAY	<b>CONCAVE, CONVEX, SLOPED END (NON-OVERLAY SL MODELS)</b> TOP WIDTH REDUCED BY 6" EACH. PER END, ADD	386
	175	250	311	<b>CLIPPED CORNER (NON-NP/SL/XR MODELS)</b> PER CORNER, ADD	386
		226			
<b>SPECIAL WIDTH (LESS THAN 66")</b> USE NEXT LARGEST SIZE ON PRICE LIST, PLUS		226		<b>SPECIAL BLOWER LOCATION</b> LEFT TO RIGHT, SPECIFY COLLAR CENTERLINE ADD	226
<b>HEIGHT OVER 30" (30" TALL HOODS ONLY)</b> WIDTH X EXTRA HEIGHT X PLUS	PAINTED	STAINLESS	OVERLAY	<b>SPECIAL DECK (9" MINIMUM)</b> ADD	226
	1.11	1.64	2.23	<b>STAINLESS STEEL INTERIOR ON OVERLAY HOOD</b> SUBTRACT PAINTED HOOD PRICE FROM STAINLESS HOOD PRICE	
		386			
<b>SPECIAL HEIGHT (LESS THAN STANDARD HOOD HEIGHT)</b> USE STANDARD HOOD PRICE, PLUS		386		<b>ADDITIONAL BLOWERS &amp; LIGHTS</b> SEE PAGE 46 FOR BLOWER OPTIONS	
				<b>REMOTE BLOWER OPTIONS</b> SEE PAGES 46-47 FOR REMOTE BLOWER OPTIONS	
<b>DEPTH OVER 24" (EXCLUDING 27" WHERE APPLICABLE)</b> WIDTH X EXTRA DEPTH X PLUS	PAINTED	STAINLESS	OVERLAY	<b>CUSTOM COLOR (SEE CUSTOM COLOR CHART)</b> ADD	680
	1.11	1.64	2.23	<b>TRIM OPTIONS</b> XR HOOD TRIM, NON-STANDARD COLOR	112
		386		XR HOOD TRIM, REMOVE	112
<b>SPECIAL DEPTH (LESS THAN 24")</b> USE STANDARD HOOD PRICE, PLUS		386		SEE PAGES 52-53 FOR FINISH AND TRIM OPTIONS	
<b>SLOPE, LIP, OFFSET, OR TOP VARIATION</b> PER VARIATION, ADD		386		<b>WARMING LAMPS AND SHELVES</b> SEE PAGES 49 FOR WARMING LAMP AND SHELF OPTIONS	

# PROFESSIONAL/STANDARD WALL MOUNT



## CXH30

Model No.	CFM	Width	Painted	Stainless	Overlay*
CXH30-130	300	30"	2,452	3,311	4,654
CXH30-136		36"	2,582	3,492	4,991
CXH30-142		42"	2,860	3,822	5,514
CXH30-148		48"	3,043	4,057	5,903
CXH30-230	600	30"	2,815	3,707	5,017
CXH30-236		36"	2,945	3,889	5,354
CXH30-242		42"	3,222	4,219	5,877
CXH30-248		48"	3,405	4,454	6,266
CXH30-254	900	54"	3,904	5,162	7,215
CXH30-342		42"	3,608	4,694	6,262
CXH30-348		48"	3,790	4,930	6,651
CXH30-354		54"	4,290	5,637	7,600
CXH30-360	1200	60"	4,629	6,092	8,223
CXH30-448		48"	4,153	5,326	7,014
CXH30-454		54"	4,652	6,034	7,963
CXH30-460		60"	4,991	6,489	8,584
CXH30-466		66"	5,238	6,828	9,115

\* FOR OVERLAY MODELS, SPECIFY INTERIOR COLOR.

**RECOMMENDED MOUNTING HEIGHT FROM COOKING SURFACE: 30"**  
**TRANSITION NOT INCLUDED**

## DAH30

Model No.	CFM	Width	Painted	Stainless	Overlay*
DAH30-130	300	30"	2,452	3,311	4,654
DAH30-136		36"	2,582	3,492	4,991
DAH30-142		42"	2,860	3,822	5,514
DAH30-148		48"	3,043	4,057	5,903
DAH30-230	600	30"	2,815	3,707	5,017
DAH30-236		36"	2,945	3,889	5,354
DAH30-242		42"	3,222	4,219	5,877
DAH30-248		48"	3,405	4,454	6,266
DAH30-254	900	54"	3,904	5,162	7,215
DAH30-342		42"	3,608	4,694	6,262
DAH30-348		48"	3,790	4,930	6,651
DAH30-354		54"	4,290	5,637	7,600
DAH30-360	1200	60"	4,629	6,092	8,223
DAH30-448		48"	4,153	5,326	7,014
DAH30-454		54"	4,652	6,034	7,963
DAH30-460		60"	4,991	6,489	8,584
DAH30-466		66"	5,238	6,828	9,115

\* FOR OVERLAY MODELS, SPECIFY INTERIOR COLOR.

**RECOMMENDED MOUNTING HEIGHT FROM COOKING SURFACE: 30"**  
**TRANSITION NOT INCLUDED**

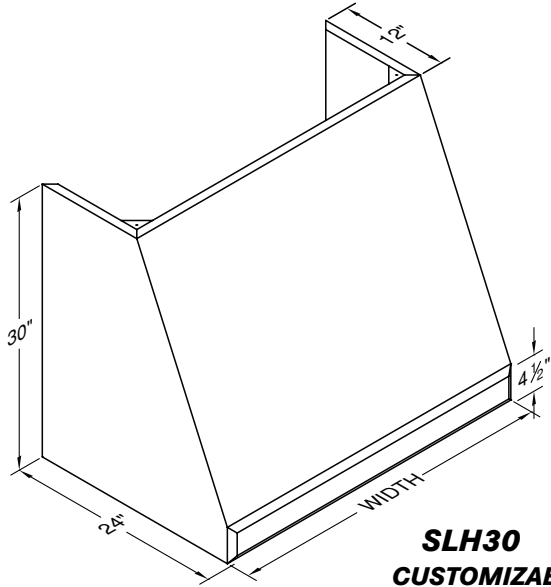
## PWVH30

Model No.	CFM	Width	Painted	Stainless	Overlay*
PWVH30-130	300	30"	2,452	3,311	4,654
PWVH30-136		36"	2,582	3,492	4,991
PWVH30-142		42"	2,860	3,822	5,514
PWVH30-148		48"	3,043	4,057	5,903
PWVH30-230	600	30"	2,815	3,707	5,017
PWVH30-236		36"	2,945	3,889	5,354
PWVH30-242		42"	3,222	4,219	5,877
PWVH30-248		48"	3,405	4,454	6,266
PWVH30-254	900	54"	3,904	5,162	7,215
PWVH30-342		42"	3,608	4,694	6,262
PWVH30-348		48"	3,790	4,930	6,651
PWVH30-354		54"	4,290	5,637	7,600
PWVH30-360	1200	60"	4,629	6,092	8,223
PWVH30-448		48"	4,153	5,326	7,014
PWVH30-454		54"	4,652	6,034	7,963
PWVH30-460		60"	4,991	6,489	8,584
PWVH30-466		66"	5,238	6,828	9,115

\* FOR OVERLAY MODELS, SPECIFY INTERIOR COLOR.

# PROFESSIONAL/STANDARD WALL MOUNT

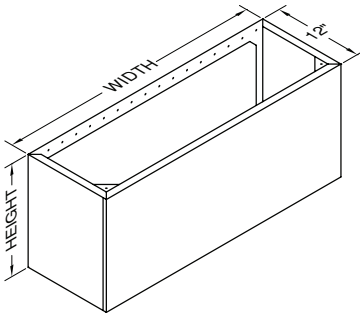
## SLH30



Model No.	CFM	Width	Painted	Stainless	Overlay*
SLH30-130	300	30"	2,452	3,311	4,654
SLH30-136		36"	2,582	3,492	4,991
SLH30-142		42"	2,860	3,822	5,514
SLH30-148		48"	3,043	4,057	5,903
SLH30-230	600	30"	2,815	3,707	5,017
SLH30-236		36"	2,945	3,889	5,354
SLH30-242		42"	3,222	4,219	5,877
SLH30-248		48"	3,405	4,454	6,266
SLH30-254	900	54"	3,904	5,162	7,215
SLH30-342		42"	3,608	4,694	6,262
SLH30-348		48"	3,790	4,930	6,651
SLH30-354		54"	4,290	5,637	7,600
SLH30-360	1200	60"	4,629	6,092	8,223
SLH30-448		48"	4,153	5,326	7,014
SLH30-454		54"	4,652	6,034	7,963
SLH30-460		60"	4,991	6,489	8,584
SLH30-466		66"	5,238	6,828	9,115

\* FOR OVERLAY MODELS, SPECIFY INTERIOR COLOR.

**RECOMMENDED MOUNTING HEIGHT FROM COOKING SURFACE: 30"**  
**TRANSITION NOT INCLUDED**



## WDCRND

Model No.	Width	Height	Painted	Stainless	Overlay
WDCRND-30	30"	12"	549	648	798
WDCRND-30/24		24"	723	910	1,221
WDCRND-30/36		36"	884	1,184	1,632
WDCRND-36	36"	12"	586	697	884
WDCRND-36/24		24"	785	1,022	1,384
WDCRND-36/36		36"	997	1,346	1,882
WDCRND-42	42"	12"	624	760	959
WDCRND-42/24		24"	860	1,134	1,546
WDCRND-42/36		36"	1,097	1,508	2,131
WDCRND-48	48"	12"	648	810	1,047
WDCRND-48/24		24"	922	1,234	1,720
WDCRND-48/36		36"	1,197	1,658	2,380
WDCRND-54	54"	12"	685	860	1,134
WDCRND-60	60"	12"	723	910	1,221
WDCRND-66	66"	12"	760	972	1,296
CUSTOM	WIDTH X HEIGHT X PLUS		0.47	0.75	1.17
				386	

## 18" & 30" TALL WALL MOUNT HOOD VARIATIONS

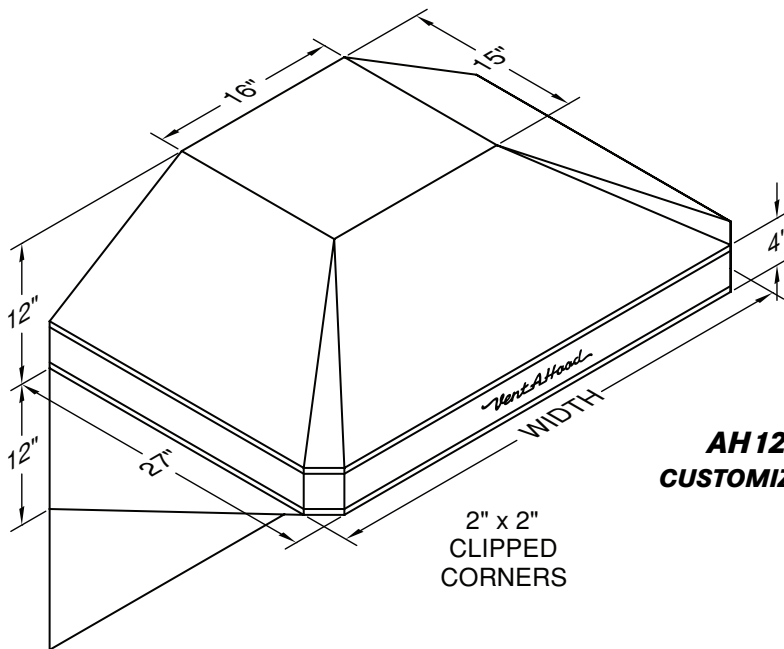
<b>WIDTHS OVER 66"</b>				<b>CONCAVE, CONVEX, SLOPED END (NON-OVERLAY SL MODELS)</b>
FOR EACH 6" INCREMENT	PAINTED	STAINLESS	OVERLAY	TOP WIDTH REDUCED BY 6" EACH. PER END, ADD
PLUS	175	250	311	386
		226		<b>CLIPPED CORNER (NON-NP/SL/XR MODELS)</b>
				PER CORNER, ADD
				386
<b>SPECIAL WIDTH (LESS THAN 66")</b>				<b>SPECIAL BLOWER LOCATION</b>
USE NEXT LARGEST SIZE ON PRICE LIST,				LEFT TO RIGHT, SPECIFY COLLAR CENTERLINE
PLUS		226		ADD
				226
<b>HEIGHT OVER 30" (30" TALL HOODS ONLY)</b>				<b>SPECIAL DECK (9" MINIMUM)</b>
WIDTH X EXTRA HEIGHT X	PAINTED	STAINLESS	OVERLAY	ADD
PLUS	1.11	1.64	2.23	226
		386		<b>STAINLESS STEEL INTERIOR ON OVERLAY HOOD</b>
				SUBTRACT PAINTED HOOD PRICE FROM STAINLESS HOOD PRICE
<b>SPECIAL HEIGHT (LESS THAN STANDARD HOOD HEIGHT)</b>				<b>ADDITIONAL BLOWERS &amp; LIGHTS</b>
USE STANDARD HOOD PRICE,				SEE PAGE 46 FOR BLOWER OPTIONS
PLUS		386		<b>REMOTE BLOWER OPTIONS</b>
				SEE PAGES 46-47 FOR REMOTE BLOWER OPTIONS
<b>DEPTH OVER 24" (EXCLUDING 27" WHERE APPLICABLE)</b>				<b>CUSTOM COLOR (SEE CUSTOM COLOR CHART)</b>
WIDTH X EXTRA DEPTH X	PAINTED	STAINLESS	OVERLAY	ADD
PLUS	1.11	1.64	2.23	680
		386		<b>TRIM OPTIONS</b>
<b>SPECIAL DEPTH (LESS THAN 24")</b>				XR HOOD TRIM, NON-STANDARD COLOR
USE STANDARD HOOD PRICE,				XR HOOD TRIM, REMOVE
PLUS		386		SEE PAGES 52-53 FOR FINISH AND TRIM OPTIONS
				112
				112
<b>SLOPE, LIP, OFFSET, OR TOP VARIATION</b>				<b>WARMING LAMPS AND SHELVES</b>
PER VARIATION, ADD		386		SEE PAGES 49 FOR WARMING LAMP AND SHELF OPTIONS

# PROFESSIONAL/STANDARD WALL MOUNT

## AH 12

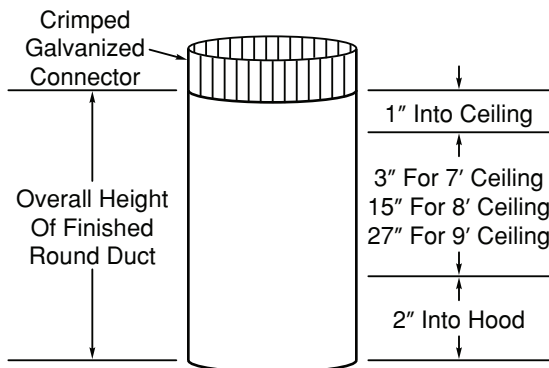
Model No.	CFM	Width	Painted
AH12-130	300	30"	1,723
AH12-136		36"	1,748
AH12-142		42"	1,935
AH12-148		48"	2,013
AH12-236	600	36"	2,111
AH12-242		42"	2,298
AH12-248		48"	2,376

HOOD INCLUDES TWO SIDE WING PANELS AND SPLASH PANEL 30" TALL X WIDTH OF HOOD.



**AH 12  
CUSTOMIZABLE!**

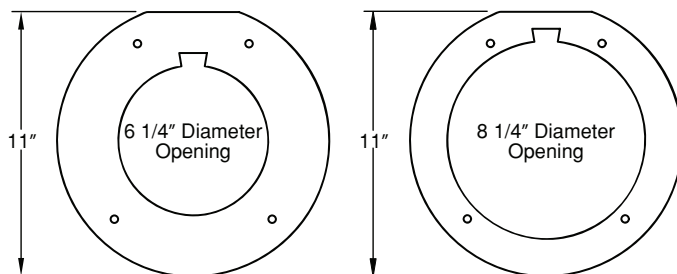
**RECOMMENDED MOUNTING HEIGHT FROM  
COOKING SURFACE: 33"**



### FINISHED DUCTS FOR AH 12

Model No.	Width	Height	Painted
ARDC-6/6	6"	6"	75
ARDC-6/18		18"	100
ARDC-6/30		30"	124
ARDC-8/6	8"	6"	75
ARDC-8/18		18"	124
ARDC-8/30		30"	150
CUSTOM	WIDTH X HEIGHT X		0.47
	PLUS		386

NOTE: FINISHED ROUND DUCT EXTENDS 2" INTO TOP OF HOOD AND 1" INTO CEILING.



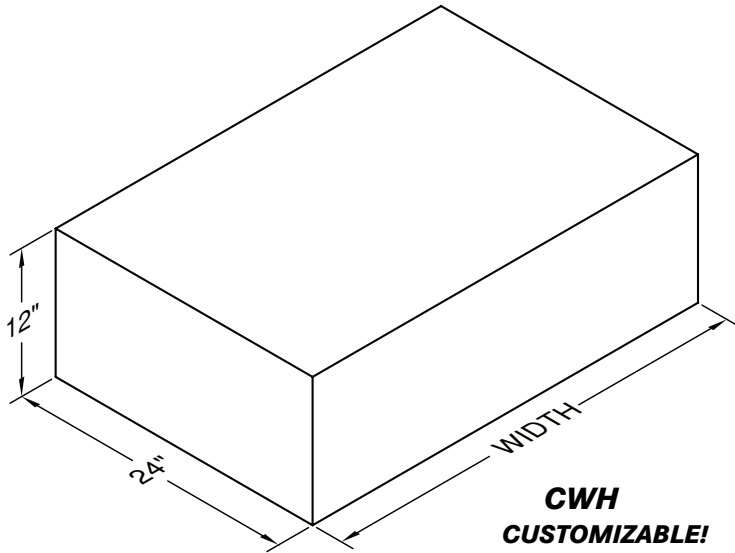
### FINISHED DUCT ACCESSORIES

MODEL NO.	WIDTH	PAINTED
ARC6	6"	22
ARC8	8"	22

### AH 12 RETRO-STYLE WALL MOUNT HOOD VARIATIONS

<b>SPECIAL WIDTH (LESS THAN 48")</b> USE NEXT LARGEST SIZE ON PRICE LIST, PLUS	386	<b>CUSTOM COLOR (SEE CUSTOM COLOR CHART)</b> ADD	680
--	-----	---	-----

# PROFESSIONAL/STANDARD WALL MOUNT



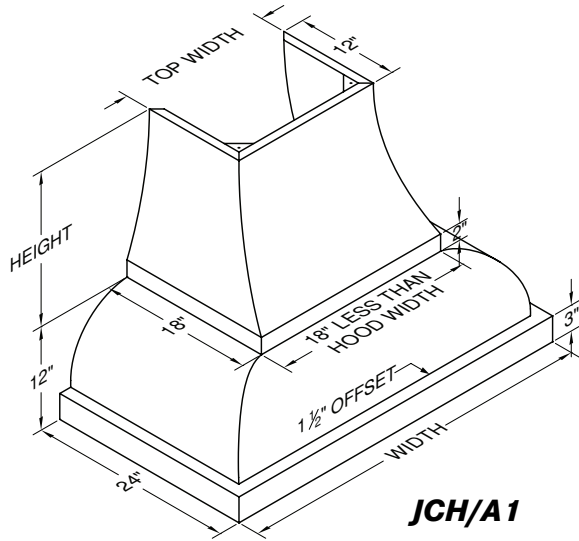
		<b>CWH</b>			
<b>Model No.</b>	<b>CFM</b>	<b>Width</b>	<b>Painted</b>	<b>Stainless</b>	<b>Overlay*</b>
CWH-130	300	30"	1,613	2,229	3,046
CWH-136		36"	1,637	2,267	3,168
CWH-142		42"	1,841	2,458	3,482
CWH-148		48"	1,926	2,556	3,654
CWH-230	600	30"	1,975	2,627	3,408
CWH-236		36"	2,000	2,664	3,530
CWH-242		42"	2,203	2,855	3,845
CWH-248		48"	2,289	2,952	4,016
CWH-254	900	54"	2,725	3,548	4,649
CWH-342		42"	2,589	3,330	4,230
CWH-348		48"	2,674	3,428	4,402
CWH-354		54"	3,110	4,024	5,034
CWH-360	1200	60"	3,319	4,305	5,413
CWH-448		48"	3,036	3,824	4,764
CWH-454		54"	3,473	4,420	5,397
CWH-460		60"	3,681	4,702	5,776
CWH-466		66"	3,853	4,910	6,070

\* FOR OVERLAY HOODS, SPECIFY INTERIOR COLOR

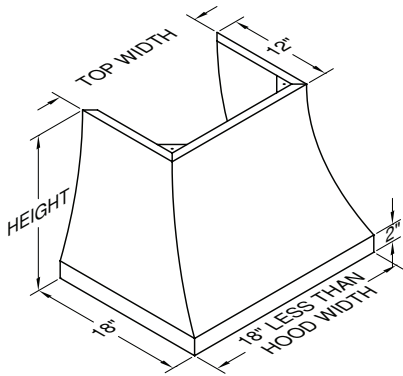
**RECOMMENDED MOUNTING HEIGHT FROM  
COOKING SURFACE: 30".  
TRANSITION NOT INCLUDED.**

<b>CWH WALL MOUNT HOOD VARIATIONS</b>				
<b>WIDTHS OVER 66"</b>				<b>ROUNDED CORNER</b>
FOR EACH 6" INCREMENT	PAINTED	STAINLESS	OVERLAY	NO OFFSETS OR LIP, MINIMUM 4 INCH RADIUS
PLUS	175	250	311	PER CORNER, ADD
		226		437
<b>SPECIAL WIDTH (LESS THAN 66")</b>				<b>SPECIAL BLOWER LOCATION</b>
USE NEXT LARGEST SIZE ON PRICE LIST,				LEFT TO RIGHT, SPECIFY COLLAR CENTERLINE
PLUS		226		ADD
				226
<b>SPECIAL HEIGHT (BETWEEN 9" &amp; 12")</b>				<b>SPECIAL DECK (9" MINIMUM)</b>
USE STANDARD PRICE,				ADD
PLUS		386		226
<b>HEIGHT OVER 12"</b>				<b>STAINLESS STEEL INTERIOR ON OVERLAY HOOD</b>
WIDTH X EXTRA HEIGHT X	PAINTED	STAINLESS	OVERLAY	SUBTRACT PAINTED HOOD PRICE FROM STAINLESS HOOD PRICE
PLUS	1.11	1.64	2.23	<b>ADDITIONAL BLOWERS &amp; LIGHTS</b>
		386		SEE PAGE 46 FOR BLOWER OPTIONS
<b>DEPTH LESS THAN 24"</b>				<b>REMOTE BLOWER OPTIONS</b>
ADD		386		SEE PAGES 46-47 FOR REMOTE BLOWER OPTIONS
<b>DEPTH OVER 24"</b>				<b>CUSTOM COLOR (SEE CUSTOM COLOR CHART)</b>
WIDTH X EXTRA DEPTH X	PAINTED	STAINLESS	OVERLAY	ADD
PLUS	1.11	1.64	2.23	680
		386		<b>TRIM OPTIONS</b>
<b>LIP AND OFFSET</b>				SEE PAGES 52-53 FOR FINISH AND TRIM OPTIONS
1, 2 OR 3 SIDES, ADD		386		<b>WARMING LAMPS AND SHELVES</b>
				SEE PAGES 49 FOR WARMING LAMP AND SHELF OPTIONS

# DESIGNER SERIES WALL MOUNT



**JCH/A1**



## JCH/A1

Model No.	CFM	Width	Top W.	Painted	Stainless	Overlay*
JCH136/A1	300	36"	18"	2,261	2,782	3,654
JCH142/A1		42"	24"	2,440	2,935	3,937
JCH148/A1		48"	30"	2,530	3,051	4,081
JCH236/A1	600	36"	18"	2,622	3,178	4,016
JCH242/A1		42"	24"	2,802	3,331	4,300
JCH248/A1		48"	30"	2,893	3,447	4,444
JCH348/A1	900*	48"	30"	3,278	3,923	4,829
JCH354/A1		54"	36"	3,883	4,677	5,707
JCH360/A1		60"	42"	4,026	4,872	6,006
JCH454/A1	1200+	54"	36"	4,245	5,073	6,070
JCH460/A1		60"	42"	4,388	5,270	6,369
JCH466/A1		66"	48"	4,561	5,498	6,684

• FOR OVERLAY HOODS, SPECIFY INTERIOR COLOR  
 \*VP562 TRANSITION TO 10" ROUND INCLUDED WITH 900 CFM MODELS  
 +VP563 TRANSITION TO 12" ROUND INCLUDED WITH 1200 CFM MODELS

**RECOMMENDED MOUNTING HEIGHT FROM COOKING SURFACE: 30".**  
**TRANSITION INCLUDED IN HOOD.**

## DUCT COVERS FOR JCH/A1

Model No.	Width	Top W.	Height	Painted	Stainless	Overlay*
CDC-18/12/18	18"	12"	18"	884	972	1,097
CDC-18/12/30		12"	30"	1,284	1,433	1,658
CDC-18/12/42		12"	42"	1,384	1,595	1,920
CDC-24/12/18	24"	18"	18"	935	1,047	1,221
CDC-24/12/30		12"	30"	1,371	1,571	1,870
CDC-24/12/42		12"	42"	1,508	1,782	2,219
CDC-30/12/18	30"	24"	18"	985	1,122	1,346
CDC-30/12/30		12"	30"	1,459	1,707	2,081
CDC-30/12/42		12"	42"	1,632	1,981	2,518
CDC-36/12/18	36"	30"	18"	1,034	1,209	1,471
CDC-36/12/30		18"	30"	1,546	1,845	2,294
CDC-36/12/42		18"	42"	1,758	2,168	2,817
CDC-42/12/18	42"	36"	18"	1,085	1,284	1,583
CDC-42/12/30		24"	30"	1,632	1,981	2,518
CDC-42/12/42		18"	42"	1,882	2,368	3,103
CDC-48/12/18	48"	42"	18"	1,134	1,359	1,707
CDC-48/12/30		30"	30"	1,720	2,119	2,729
CDC-48/12/42		24"	42"	2,006	2,555	3,402

• TRIM REQUIRED ON MODELS EXCEEDING 35" WIDTH AND 30" HEIGHT

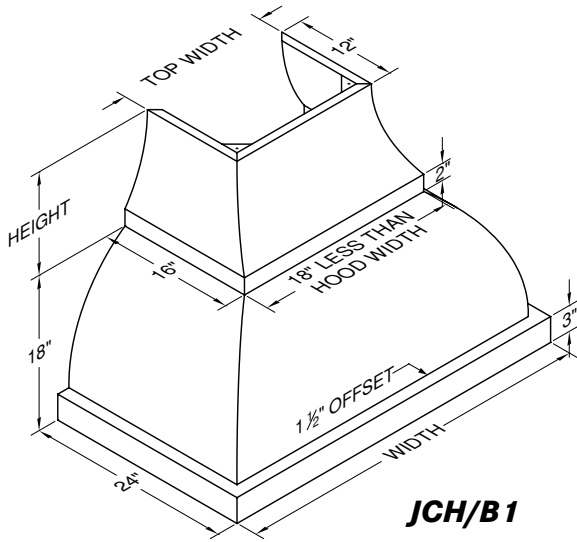
## JCH/A1 AS SEEN IN ADVERTISING LITERATURE



CFM	WIDTH					
	36"	42"	48"	54"	60"	66"
300 CFM	7,063.00	7,470.00	7,739.00			
600 CFM	7,425.00	7,833.00	8,102.00			
900 CFM			8,487.00	9,490.00	9,901.00	
1200 CFM				9,853.00	10,264.00	10,703.00

Pricing includes matching duct cover for 8' ceiling.  
 Priced as shown with light antiqued hammered copper and antiqued trim.

# DESIGNER SERIES WALL MOUNT



**JCH/B1**

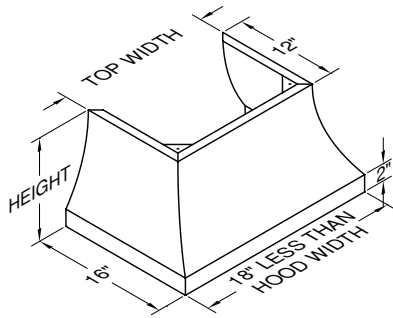
## JCH/B1

Model No.	CFM	Width	Top W.	Painted	Stainless	Overlay*
JCH136/B1	300	36"	18"	2,261	2,782	3,654
JCH142/B1		42"	24"	2,440	2,935	3,937
JCH148/B1		48"	30"	2,530	3,051	4,081
JCH236/B1	600	36"	18"	2,622	3,178	4,016
JCH242/B1		42"	24"	2,802	3,331	4,300
JCH248/B1		48"	30"	2,893	3,447	4,444
JCH348/B1	900*	48"	30"	3,278	3,923	4,829
JCH354/B1		54"	36"	3,883	4,677	5,707
JCH360/B1		60"	42"	4,026	4,872	6,006
JCH454/B1	1200+	54"	36"	4,245	5,073	6,070
JCH460/B1		60"	42"	4,388	5,270	6,369
JCH466/B1		66"	48"	4,561	5,498	6,684

• FOR OVERLAY HOODS, SPECIFY INTERIOR COLOR  
 \*VP562 TRANSITION TO 10" ROUND INCLUDED WITH 900 CFM MODELS  
 +VP563 TRANSITION TO 12" ROUND INCLUDED WITH 1200 CFM MODELS

**RECOMMENDED MOUNTING HEIGHT FROM COOKING SURFACE: 30".**

**TRANSITION INCLUDED IN HOOD.**



## DUCT COVERS FOR JCH/B1

Model No.	Width	Top W.	Height	Painted	Stainless	Overlay*
CDC-18/12/12	18"	12"	12"	884	972	1,097
CDC-18/12/24		12"	24"	1,284	1,433	1,658
CDC-18/12/36		12"	36"	1,384	1,595	1,920
CDC-24/12/12	24"	18"	12"	935	1,047	1,221
CDC-24/12/24		12"	24"	1,371	1,571	1,870
CDC-24/12/36		12"	36"	1,508	1,782	2,219
CDC-30/12/12	30"	24"	12"	985	1,122	1,346
CDC-30/12/24		12"	24"	1,459	1,707	2,081
CDC-30/12/36		12"	36"	1,632	1,981	2,518
CDC-36/12/12	36"	30"	12"	1,034	1,209	1,471
CDC-36/12/24		18"	24"	1,546	1,845	2,294
CDC-36/12/36		18"	36"	1,758	2,168	2,817
CDC-42/12/12	42"	36"	12"	1,085	1,284	1,583
CDC-42/12/24		24"	24"	1,632	1,981	2,518
CDC-42/12/36		18"	36"	1,882	2,368	3,103
CDC-48/12/12	48"	42"	12"	1,134	1,359	1,707
CDC-48/12/24		30"	24"	1,720	2,119	2,729
CDC-48/12/36		24"	36"	2,006	2,555	3,402

• TRIM REQUIRED ON MODELS EXCEEDING 35" WIDTH AND 30" HEIGHT

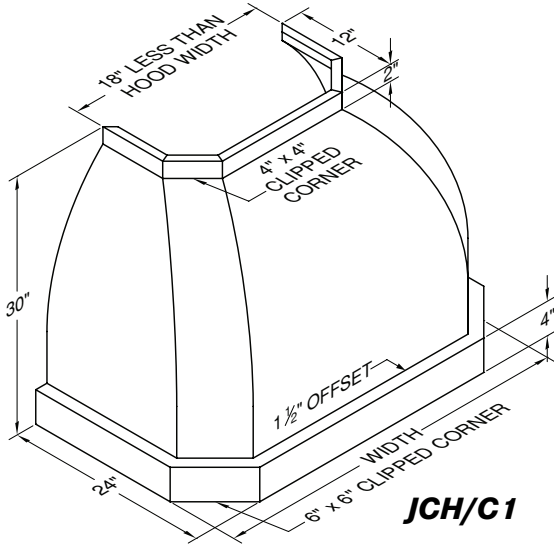
## JCH/B1 AS SEEN IN ADVERTISING LITERATURE



CFM	WIDTH					
	36"	42"	48"	54"	60"	66"
300 CFM	8,376.90	8,706.96	9,000.02			
600 CFM	8,772.90	9,102.96	9,396.02			
900 CFM			9,872.02	10,815.08	11,187.14	
1200 CFM				11,211.08	11,585.14	11,990.20

Pricing includes matching duct cover for 8' ceiling.  
 Priced as shown with stainless steel finish and pewter trim.

# DESIGNER SERIES WALL MOUNT

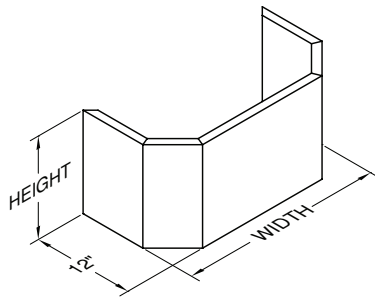


## JCH/C1

Model No.	CFM	Width	Painted	Stainless	Overlay*
JCH136/C1	300	36"	3,210	4,073	5,473
JCH142/C1		42"	3,476	4,378	5,972
JCH148/C1		48"	3,647	4,601	6,337
JCH236/C1	600	36"	3,571	4,469	5,836
JCH242/C1		42"	3,839	4,774	6,335
JCH248/C1		48"	4,008	4,997	6,699
JCH348/C1	900	48"	4,393	5,473	7,085
JCH354/C1		54"	4,921	6,185	8,028
JCH360/C1		60"	5,158	6,538	8,535
JCH454/C1	1200	54"	5,284	6,581	8,390
JCH460/C1		60"	5,520	6,935	8,898
JCH466/C1		66"	5,743	7,248	9,393

\*FOR OVERLAY HOODS, SPECIFY INTERIOR COLOR

**RECOMMENDED MOUNTING HEIGHT FROM COOKING SURFACE: 30".**  
**TRANSITION NOT INCLUDED**



## DUCT COVERS FOR JCH/C1

Model No.	Width	Height	Painted	Stainless	Overlay
WDCC4-18/12	18"	12"	847	910	997
WDCC4-18/24		24"	947	1,071	1,246
WDCC4-24/12	24"	12"	884	959	1,085
WDCC4-24/24		24"	1,022	1,172	1,421
WDCC4-30/12	30"	12"	910	1,010	1,172
WDCC4-30/24		24"	1,085	1,284	1,595
WDCC4-36/12	36"	12"	947	1,071	1,246
WDCC4-36/24		24"	1,159	1,396	1,758
WDCC4-42/12	42"	12"	985	1,122	1,333
WDCC4-42/24		24"	1,234	1,508	1,932
WDCC4-48/12	48"	12"	1,022	1,172	1,421
WDCC4-48/24		24"	1,296	1,620	2,107

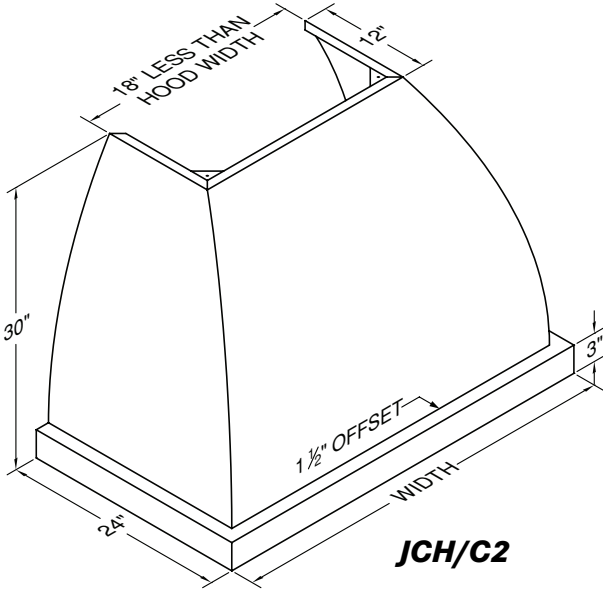
## JCH/C1 AS SEEN IN ADVERTISING LITERATURE



CFM	WIDTH					
	36"	42"	48"	54"	60"	66"
300 CFM	4,776.42	5,110.46	5,349.50			
600 CFM	5,137.42	5,473.46	5,710.50			
900 CFM			6,095.50	6,691.54	6,996.58	
1200 CFM				7,054.54	7,358.58	7,649.62

Priced as shown with oil rubbed bronze finish and antiqued copper trim.

# DESIGNER SERIES WALL MOUNT



## JCH/C2

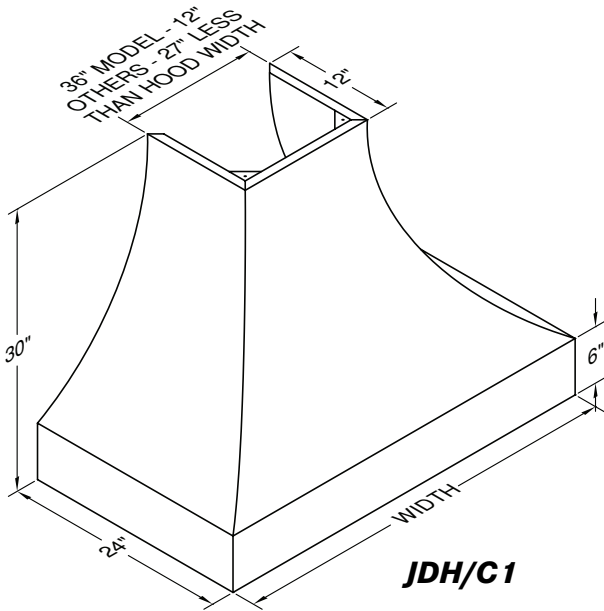
Model No.	CFM	Width	Painted	Stainless	Overlay*
JCH136/C2	300	36"	3,082	3,964	5,371
JCH142/C2		42"	3,339	4,263	5,853
JCH148/C2		48"	3,508	4,471	6,218
JCH236/C2	600	36"	3,444	4,360	5,734
JCH242/C2		42"	3,702	4,659	6,216
JCH248/C2		48"	3,870	4,868	6,580
JCH348/C2	900	48"	4,256	5,344	6,965
JCH354/C2		54"	4,899	6,071	8,025
JCH360/C2		60"	5,134	6,540	8,547
JCH454/C2	1200	54"	5,261	6,467	8,388
JCH460/C2		60"	5,497	6,937	8,910
JCH466/C2		66"	5,772	7,309	9,446

\* FOR OVERLAY HOODS, SPECIFY INTERIOR COLOR

**RECOMMENDED MOUNTING HEIGHT FROM**

**COOKING SURFACE: 30".**

**TRANSITION NOT INCLUDED**



## JDH/C1

Model No.	CFM	Width	Painted	Stainless	Overlay*
JDH136/C1	300	36"	3,082	3,964	5,371
JDH142/C1		42"	3,339	4,263	5,853
JDH148/C1		48"	3,508	4,471	6,218
JDH236/C1	600	36"	3,444	4,360	5,734
JDH242/C1		42"	3,702	4,659	6,216
JDH248/C1		48"	3,870	4,868	6,580
JDH348/C1	900*	48"	4,256	5,344	6,965
JDH354/C1		54"	4,899	6,071	8,025
JDH360/C1		60"	5,134	6,540	8,547
JDH454/C1	1200+	54"	5,261	6,467	8,388
JDH460/C1		60"	5,497	6,937	8,910
JDH466/C1		66"	5,772	7,309	9,446

\* FOR OVERLAY HOODS, SPECIFY INTERIOR COLOR

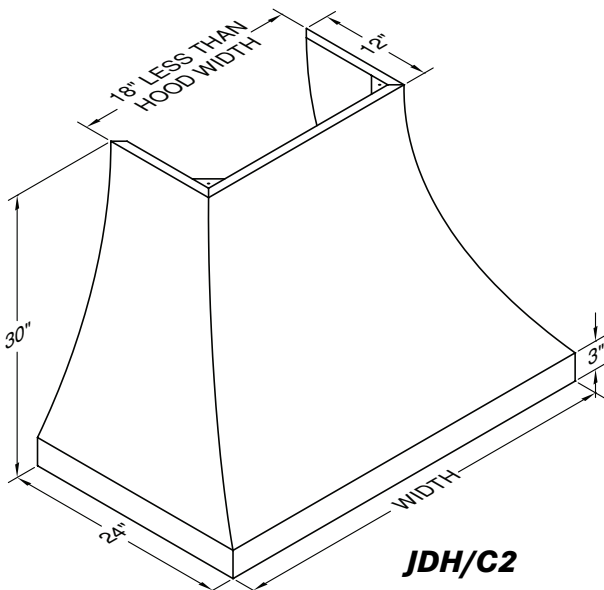
\*VP562 TRANSITION TO 10" ROUND INCLUDED WITH 900 CFM MODELS

+VP563 TRANSITION TO 12" ROUND INCLUDED WITH 1200 CFM MODELS

**RECOMMENDED MOUNTING HEIGHT FROM**

**COOKING SURFACE: 30"**

**TRANSITION INCLUDED IN HOOD**



## JDH/C2

Model No.	CFM	Width	Painted	Stainless	Overlay*
JDH136/C2	300	36"	3,082	3,964	5,371
JDH142/C2		42"	3,339	4,263	5,853
JDH148/C2		48"	3,508	4,471	6,218
JDH236/C2	600	36"	3,444	4,360	5,734
JDH242/C2		42"	3,702	4,659	6,216
JDH248/C2		48"	3,870	4,868	6,580
JDH348/C2	900*	48"	4,256	5,344	6,965
JDH354/C2		54"	4,899	6,071	8,025
JDH360/C2		60"	5,134	6,540	8,547
JDH454/C2	1200+	54"	5,261	6,467	8,388
JDH460/C2		60"	5,497	6,937	8,910
JDH466/C2		66"	5,772	7,309	9,446

\* FOR OVERLAY HOODS, SPECIFY INTERIOR COLOR

\*VP562 TRANSITION TO 10" ROUND INCLUDED WITH 900 CFM MODELS

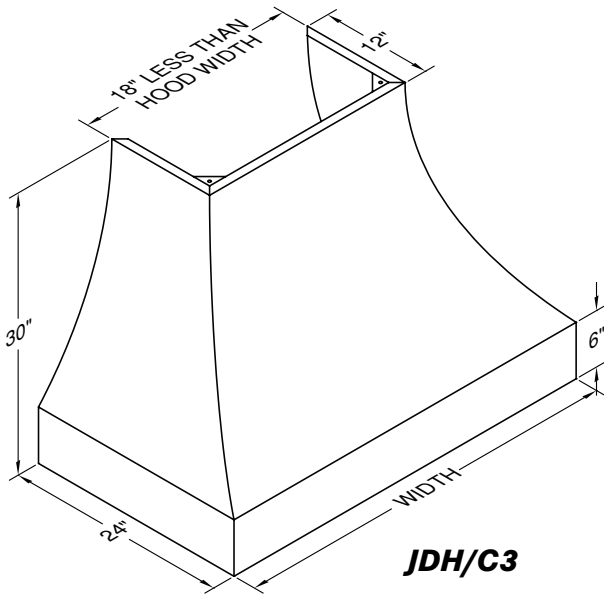
+VP563 TRANSITION TO 12" ROUND INCLUDED WITH 1200 CFM MODELS

**RECOMMENDED MOUNTING HEIGHT FROM**

**COOKING SURFACE: 30"**

**TRANSITION INCLUDED IN HOOD**

# DESIGNER SERIES WALL MOUNT

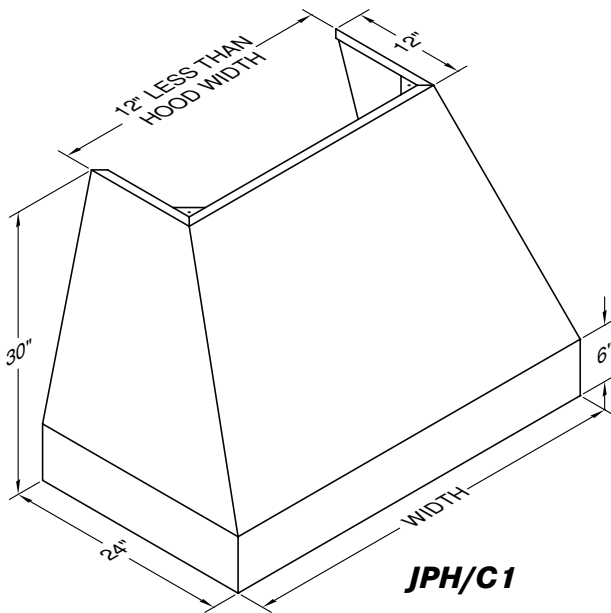


## JDH/C3

Model No.	CFM	Width	Painted	Stainless	Overlay*
JDH136/C3	300	36"	3,082	3,964	5,371
JDH142/C3		42"	3,339	4,263	5,853
JDH148/C3		48"	3,508	4,471	6,218
JDH236/C3	600	36"	3,444	4,360	5,734
JDH242/C3		42"	3,702	4,659	6,216
JDH248/C3		48"	3,870	4,868	6,580
JDH348/C3	900*	48"	4,256	5,344	6,965
JDH354/C3		54"	4,899	6,071	8,025
JDH360/C3		60"	5,134	6,540	8,547
JDH454/C3	1200+	54"	5,261	6,467	8,388
JDH460/C3		60"	5,497	6,937	8,910
JDH466/C3		66"	5,772	7,309	9,446

\*FOR OVERLAY HOODS, SPECIFY INTERIOR COLOR  
 \*VP562 TRANSITION TO 10" ROUND INCLUDED WITH 900 CFM MODELS  
 +VP563 TRANSITION TO 12" ROUND INCLUDED WITH 1200 CFM MODELS

**RECOMMENDED MOUNTING HEIGHT FROM COOKING SURFACE: 30"**  
**TRANSITION INCLUDED IN HOOD**

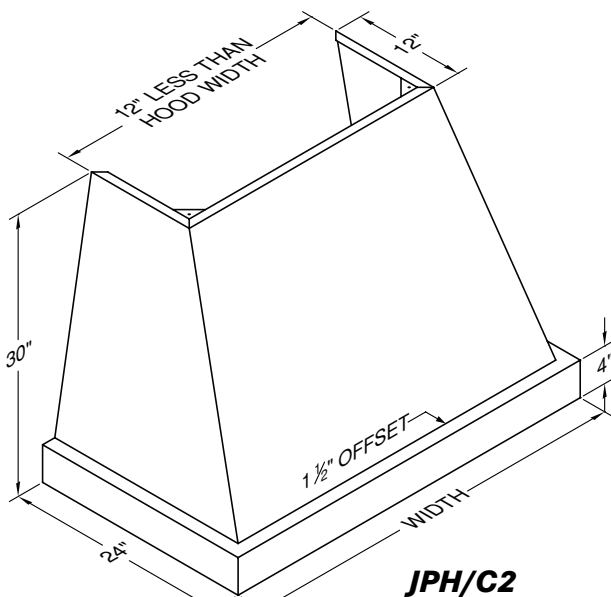


## JPH/C1

Model No.	CFM	Width	Painted	Stainless	Overlay*
JPH136/C1	300	36"	3,082	3,964	5,371
JPH142/C1		42"	3,339	4,263	5,853
JPH148/C1		48"	3,508	4,471	6,218
JPH236/C1	600	36"	3,444	4,360	5,734
JPH242/C1		42"	3,702	4,659	6,216
JPH248/C1		48"	3,870	4,868	6,580
JPH348/C1	900	48"	4,256	5,344	6,965
JPH354/C1		54"	4,899	6,071	8,025
JPH360/C1		60"	5,134	6,540	8,547
JPH454/C1	1200	54"	5,261	6,467	8,388
JPH460/C1		60"	5,497	6,937	8,910
JPH466/C1		66"	5,772	7,309	9,446

\*FOR OVERLAY HOODS, SPECIFY INTERIOR COLOR

**RECOMMENDED MOUNTING HEIGHT FROM COOKING SURFACE: 30"**  
**TRANSITION NOT INCLUDED**



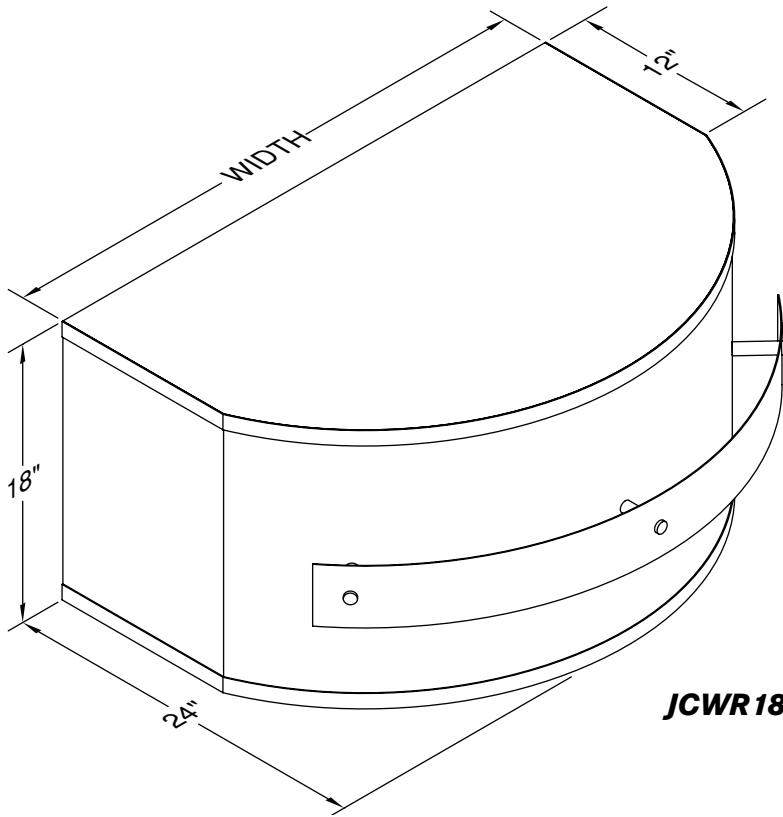
## JPH/C2

Model No.	CFM	Width	Painted	Stainless	Overlay*
JPH136/C2	300	36"	3,082	3,964	5,371
JPH142/C2		42"	3,339	4,263	5,853
JPH148/C2		48"	3,508	4,471	6,218
JPH236/C2	600	36"	3,444	4,360	5,734
JPH242/C2		42"	3,702	4,659	6,216
JPH248/C2		48"	3,870	4,868	6,580
JPH348/C2	900	48"	4,256	5,344	6,965
JPH354/C2		54"	4,899	6,071	8,025
JPH360/C2		60"	5,134	6,540	8,547
JPH454/C2	1200	54"	5,261	6,467	8,388
JPH460/C2		60"	5,497	6,937	8,910
JPH466/C2		66"	5,772	7,309	9,446

\*FOR OVERLAY HOODS, SPECIFY INTERIOR COLOR

**RECOMMENDED MOUNTING HEIGHT FROM COOKING SURFACE: 30"**  
**TRANSITION NOT INCLUDED**

# DESIGNER SERIES WALL MOUNT

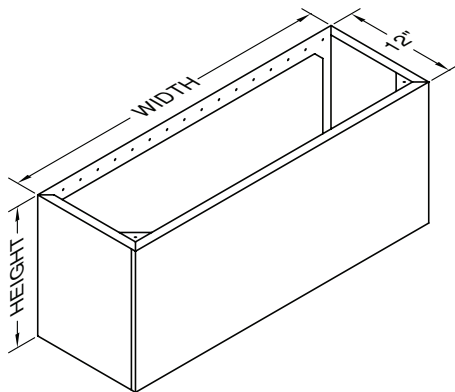


## JCWR18

Model No.	CFM	Width	Stainless
JCWR18-130	300	30"	2,711
JCWR18-136		36"	2,777
JCWR18-142		42"	2,991
JCWR18-148		48"	3,095
JCWR18-230	600	30"	3,073
JCWR18-236		36"	3,139
JCWR18-242		42"	3,354
JCWR18-248		48"	3,458
JCWR18-254	900	54"	4,105
JCWR18-342		42"	3,738
JCWR18-348		48"	3,843
JCWR18-354		54"	4,490
JCWR18-360	1200	60"	4,881
JCWR18-448		48"	4,205
JCWR18-454		54"	4,852
JCWR18-460		60"	5,244
JCWR18-466		66"	5,271

**RECOMMENDED MOUNTING HEIGHT FROM COOKING SURFACE: 30"**  
**TRANSITION NOT INCLUDED**

**JCWR18**



## WDCRND FOR DESIGNER SERIES HOODS

Model No.	Width	Height	Painted	Stainless	Overlay
WDCRND-12/12	12"	12"	449	486	549
WDCRND-12/24		24"	512	598	711
WDCRND-15/12	15"	12"	474	524	598
WDCRND-15/24		24"	561	660	823
WDCRND-18/12	18"	12"	498	561	648
WDCRND-18/24		24"	598	723	898
WDCRND-21/12	21"	12"	512	586	685
WDCRND-21/24		24"	636	772	985
WDCRND-24/12	24"	12"	536	611	735
WDCRND-24/24		24"	673	835	1,071
WDCRND-27/12	27"	12"	549	636	772
WDCRND-27/24		24"	711	884	1,159
WDCRND-30/12	30"	12"	549	648	798
WDCRND-30/24		24"	723	910	1,221
WDCRND-33/12	33"	12"	586	697	860
WDCRND-33/24		24"	772	997	1,333
WDCRND-36/12	36"	12"	586	697	884
WDCRND-36/24		24"	785	1,022	1,384
WDCRND-39/12	39"	12"	624	748	947
WDCRND-39/24		24"	847	1,097	1,496
WDCRND-42/12	42"	12"	624	760	959
WDCRND-42/24		24"	860	1,134	1,546
WDCRND-48/12	48"	12"	648	810	1,047
WDCRND-48/24		24"	922	1,234	1,720
WDCRND-54/12	54"	12"	685	860	1,134
WDCRND-54/24		24"	1,022	1,371	1,920
CUSTOM	WIDTH X HEIGHT X PLUS		0.47	0.75	1.17
			386		

# DESIGNER SERIES WALL MOUNT

## JCHIC2 AS SEEN IN ADVERTISING LITERATURE



CFM	WIDTH					
	36"	42"	48"	54"	60"	66"
300 CFM	5,770.28	6,061.30	6,264.32			
600 CFM	6,132.28	6,424.30	6,626.32			
900 CFM			7,012.32	7,689.34	7,958.36	
1200 CFM				8,051.34	8,321.36	8,630.38

Priced as shown with pewter finish and silver vein trim.

## JDHIC1 AS SEEN IN ADVERTISING LITERATURE



CFM	WIDTH					
	36"	42"	48"	54"	60"	66"
300 CFM	7,363.40	7,927.00	8,373.60			
600 CFM	7,726.40	8,290.00	8,735.60			
900 CFM			9,120.60	10,262.20	10,865.80	
1200 CFM				10,625.20	11,228.80	11,846.40

Priced as shown with antiqued hammered copper finish and trim.

## JDHIC2 AS SEEN IN ADVERTISING LITERATURE



CFM	WIDTH					
	36"	42"	48"	54"	60"	66"
300 CFM	5,108.44	5,495.82	5,792.20			
600 CFM	5,504.44	5,891.82	6,189.20			
900 CFM			6,665.20	7,480.58	8,037.96	
1200 CFM				7,876.58	8,434.96	8,895.34

Priced as shown with stainless steel finish and mirror stainless trim.

# DESIGNER SERIES WALL MOUNT

## JPHIC1 AS SEEN IN ADVERTISING LITERATURE



CFM	WIDTH					
	36"	42"	48"	54"	60"	66"
300 CFM	5,056.56	5,381.60	5,618.64			
600 CFM	5,418.56	5,744.60	5,980.64			
900 CFM			6,366.64	7,077.68	7,380.72	
1200 CFM				7,439.68	7,743.72	8,086.76

Priced as shown with white finish and mirror stainless steel trim.

**RECOMMENDED MOUNTING HEIGHT FROM  
COOKING SURFACE: 30"  
TRANSITION NOT INCLUDED**

## JPHIC2 AS SEEN IN ADVERTISING LITERATURE

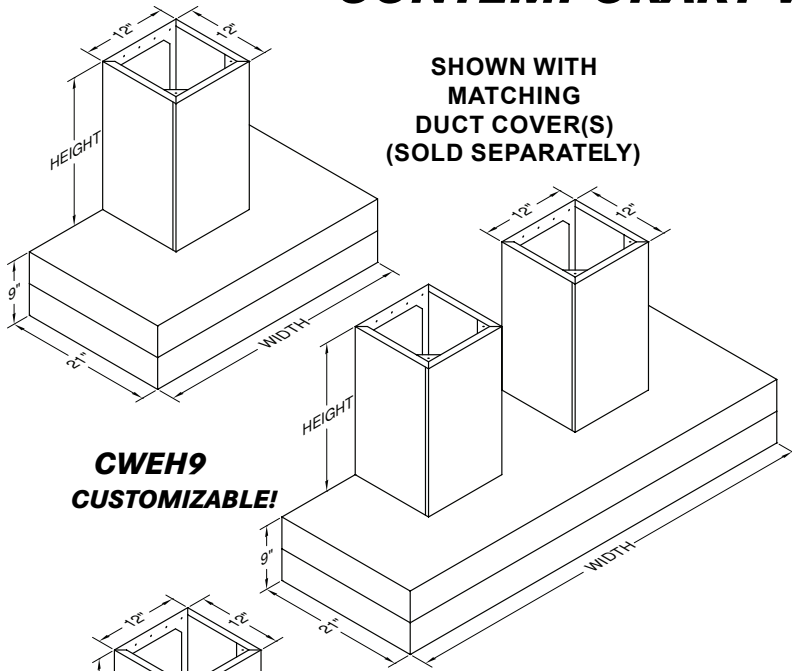


CFM	WIDTH					
	36"	42"	48"	54"	60"	66"
300 CFM	3,558.28	3,849.30	4,052.32			
600 CFM	3,920.28	4,212.30	4,414.32			
900 CFM			4,800.32	5,477.34	5,746.36	
1200 CFM				5,839.34	6,109.36	6,418.38

Priced as shown with black finish and stainless steel trim.

**RECOMMENDED MOUNTING HEIGHT FROM  
COOKING SURFACE: 30"  
TRANSITION NOT INCLUDED**

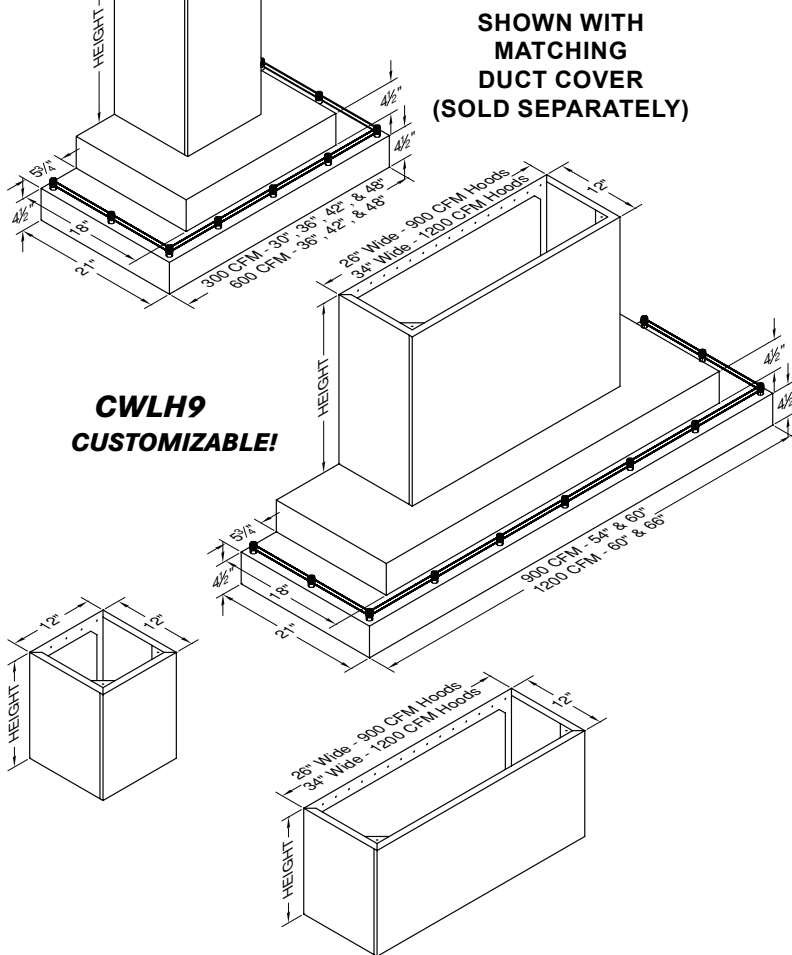
# CONTEMPORARY WALL MOUNT



## CWEH9

Model No.	CFM	Width	Painted	Stainless
CWEH9-130	300	30"	1,645	2,286
CWEH9-136		36"	1,669	2,323
CWEH9-142		42"	1,877	2,519
CWEH9-148		48"	1,975	2,620
CWEH9-230	600	30"	2,006	2,682
CWEH9-236		36"	2,032	2,719
CWEH9-242		42"	2,239	2,915
CWEH9-248		48"	2,328	3,017
CWEH9-254	900	54"	2,773	3,630
CWEH9-342		42"	2,731	3,499
CWEH9-348		48"	3,054	3,589
CWEH9-354		54"	3,278	4,241
CWEH9-360	1200	60"	3,420	4,461
CWEH9-448		48"	3,416	3,986
CWEH9-454		54"	3,640	4,638
CWEH9-460		60"	3,782	4,858
CWEH9-466		66"	3,962	5,077

RECOMMENDED MOUNTING HEIGHT FROM COOKING SURFACE: 27"



## CWLH9

Model No.	CFM	Width	Painted	Stainless
CWLH9-130	300	30"	1,609	2,233
CWLH9-136		36"	1,621	2,245
CWLH9-142		42"	1,866	2,502
CWLH9-148	600	48"	1,954	2,603
CWLH9-236		36"	1,984	2,642
CWLH9-242		42"	2,229	2,899
CWLH9-248	900	48"	2,316	2,999
CWLH9-354		54"	3,273	4,232
CWLH9-360		60"	3,424	4,448
CWLH9-460	1200	60"	3,786	4,844
CWLH9-466		66"	3,887	4,984

RECOMMENDED MOUNTING HEIGHT FROM COOKING SURFACE: 27"

## WDCRND FOR CWEH9/CWLH9

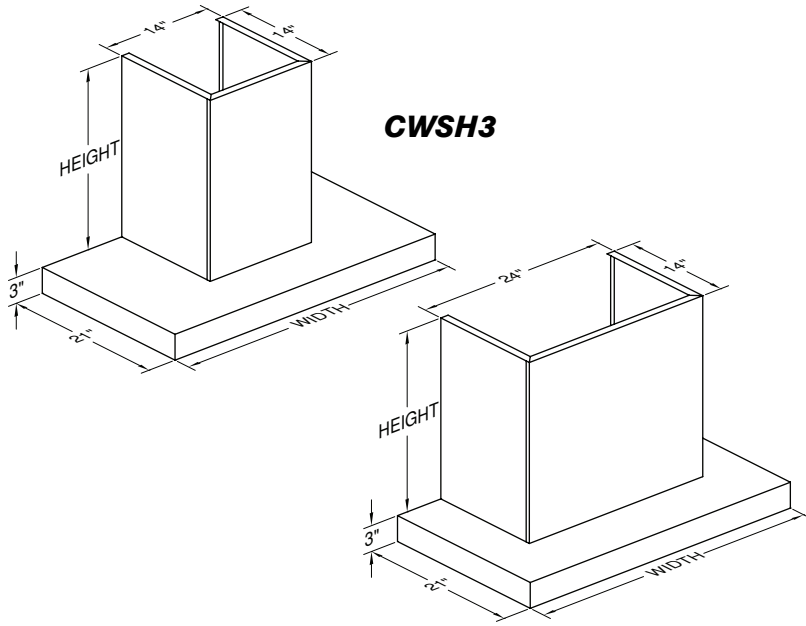
Model No.	Width	Height	Painted	Stainless
WDCRND-12/12	12"	12"	449	486
WDCRND-12/24		24"	512	598
WDCRND-12/36	26"	36"	586	697
WSDCRND-26/12		12"	524	611
WSDCRND-26/24		24"	673	847
WSDCRND-26/36	34"	36"	823	1,071
WDCRND-34/12		12"	573	685
WDCRND-34/24		24"	772	985
WDCRND-34/36	CUSTOM	36"	959	1,296
		WIDTH X HEIGHT X PLUS	0.47	0.75
			386	

26" AND 34" DUCT COVERS FOR USE ON MATCHING CWLH9 MODELS.

## CWEH9/CWLH9 VARIATIONS

WIDTHS OVER 66"	SPECIAL WIDTH (LESS THAN 66")	
FOR EACH 6" INCREMENT PLUS	PAINTED 175	STAINLESS 250
	226	
	REMOVE GALLEY RAIL (CWLH9 ONLY) TO REMOVE RAIL, NO CHARGE	
	226	

# CONTEMPORARY WALL MOUNT



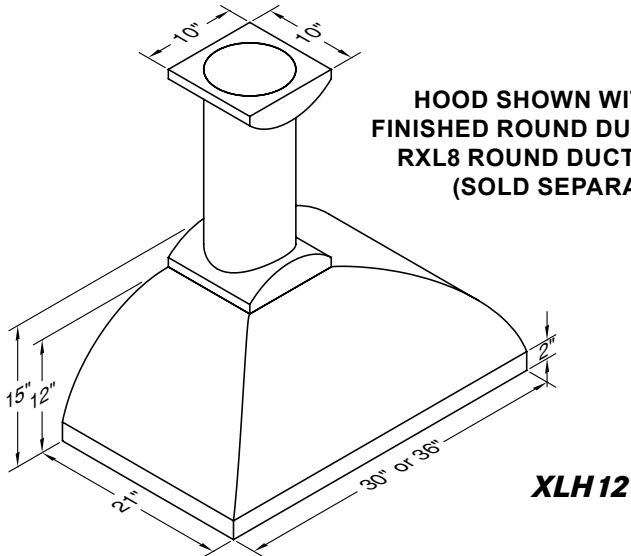
**DUCT COVER WITH  
BLOWER HAS A  
REMOVABLE FRONT  
PANEL**

## CWSH3

Model No.	CFM	Width	Stainless	Ceiling
CWSH3-1/030-21	300	30"	2,764	7'
CWSH3-1/030-33		30"	2,877	8'
CWSH3-1/036-21		36"	2,764	7'
CWSH3-1/036-33		36"	2,877	8'
CWSH3-1/042-21		42"	2,980	7'
CWSH3-1/042-33		42"	3,093	8'
CWSH3-2/030-21	600	30"	3,705	7'
CWSH3-2/030-33		30"	3,908	8'
CWSH3-2/036-21		36"	3,705	7'
CWSH3-2/036-33		36"	3,908	8'
CWSH3-2/042-21		42"	3,920	7'
CWSH3-2/042-33		42"	4,124	8'

**RECOMMENDED MOUNTING HEIGHT  
FROM COOKING SURFACE: 24"**

# CONTEMPORARY WALL MOUNT

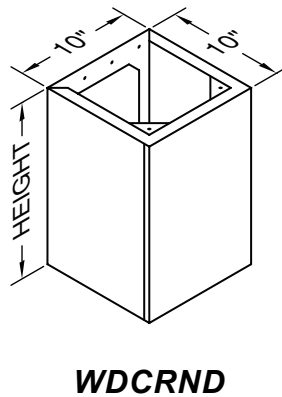
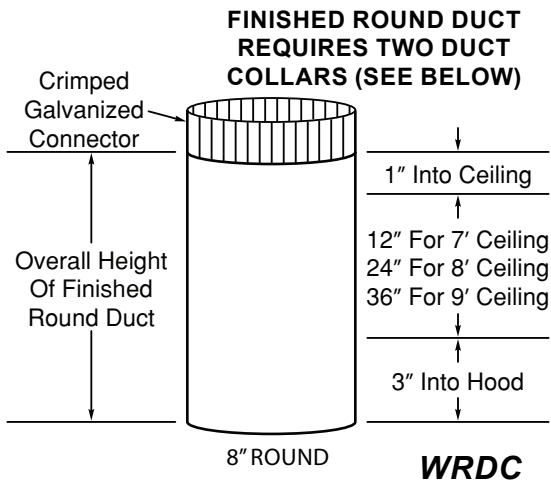


HOOD SHOWN WITH WRDC FINISHED ROUND DUCT AND TWO RXL8 ROUND DUCT COLLARS (SOLD SEPARATELY)

## XLH12

Model No.	CFM	Width	Stainless
<b>BRASS LIP</b>			
XLH12-230B	600	30"	2,236
XLH12-236B		36"	2,262
<b>COPPER LIP</b>			
XLH12-230C	600	30"	2,236
XLH12-236C		36"	2,262
<b>MIRROR STAINLESS STEEL LIP</b>			
XLH12-230M	600	30"	2,236
XLH12-236M		36"	2,262
<b>STAINLESS STEEL LIP</b>			
XLH12-230S	600	30"	2,236
XLH12-236S		36"	2,262

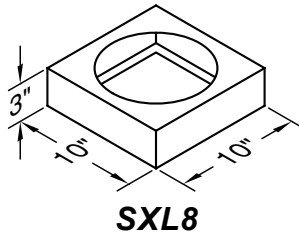
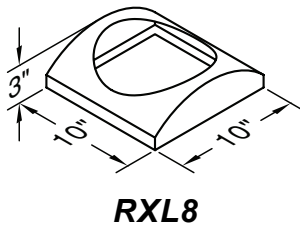
**RECOMMENDED MOUNTING HEIGHT FROM COOKING SURFACE: 24"**



## DUCT COVERS FOR XLH12

Model No.	Width	Height	Stainless
WDCRND-10/12	10"	12"	461
WDCRND-10/24		24"	549
WDCRND-10/36	10"	36"	636
WRDC-8/16	8"	16"	311
WRDC-8/28		28"	386
WRDC-8/40		40"	449
CUSTOM	WIDTH X HEIGHT X PLUS		0.75 386

WRDC EXTENDS 3" INTO TOP OF HOOD AND 1" INTO CEILING.

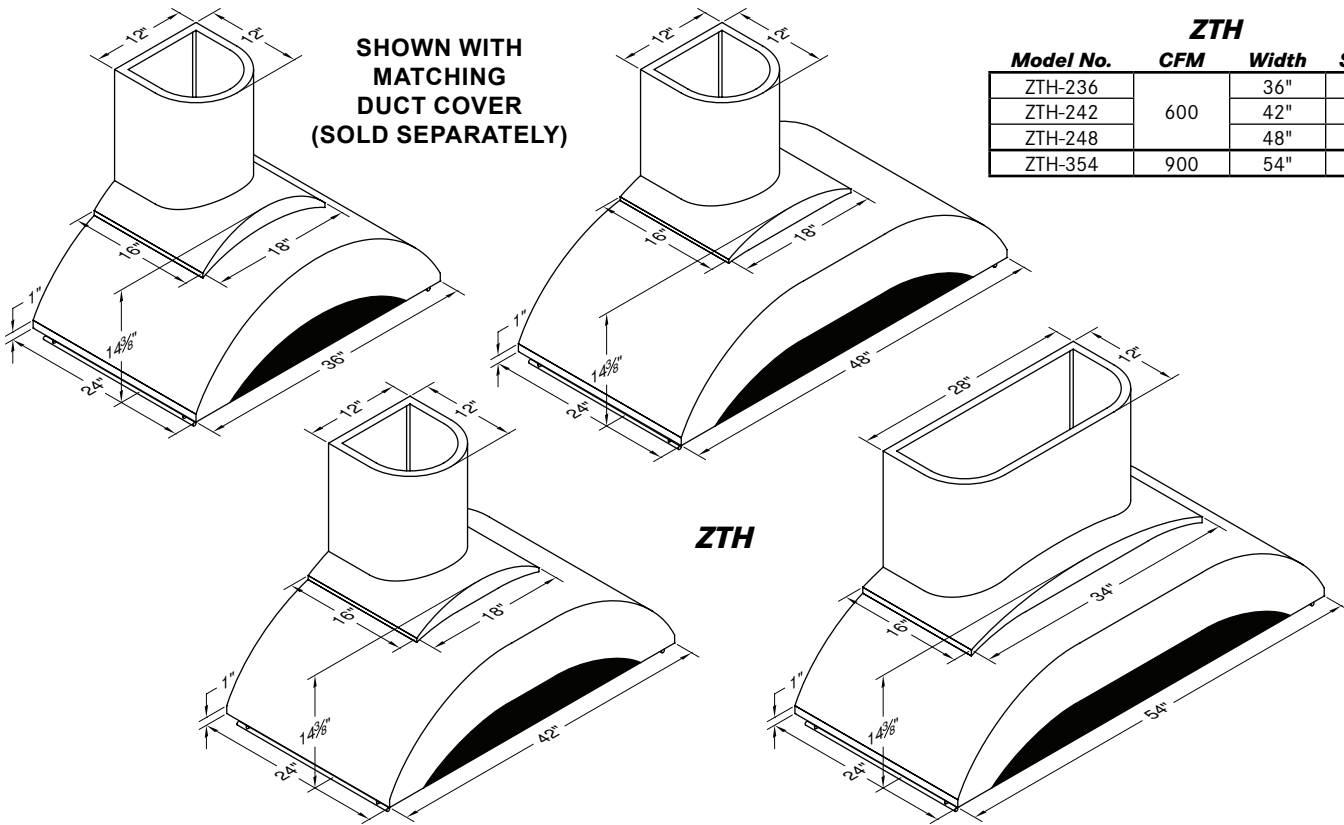


## WRDC COLLARS

Model No.	Width	Height	Stainless
RXL8	10"	3"	224
SXL8	10"	3"	138

# CONTEMPORARY WALL MOUNT

SHOWN WITH  
MATCHING  
DUCT COVER  
(SOLD SEPARATELY)



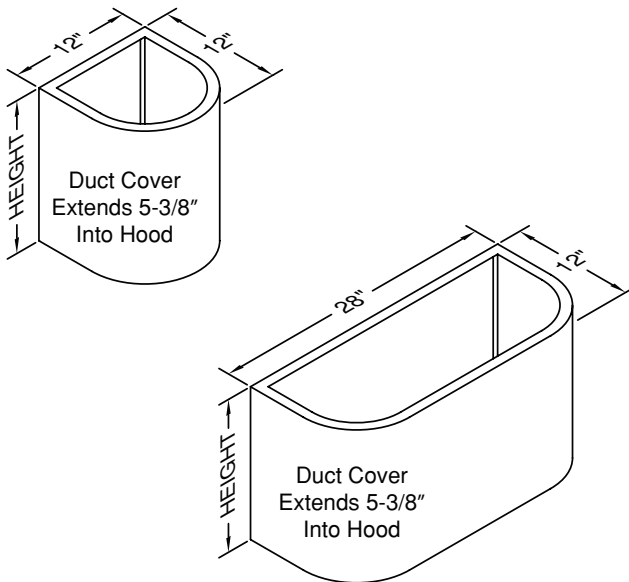
## ZTH

Model No.	CFM	Width	Stainless
ZTH-236	600	36"	3,571
ZTH-242		42"	3,734
ZTH-248		48"	3,835
ZTH-354	900	54"	5,579

RECOMMENDED MOUNTING HEIGHT  
FROM COOKING SURFACE: 30"  
TRANSITION NOT INCLUDED

### ZTH VARIATIONS

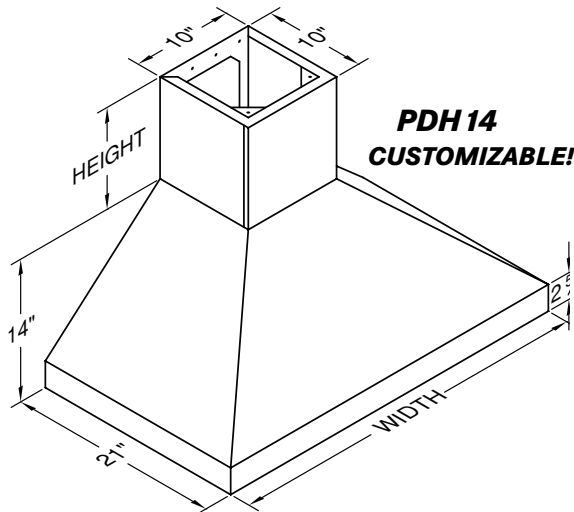
REMOVE FIXED LENGTH SS RAIL  
ADD 226



### DUCT COVERS FOR ZTH

Model No.	Width	Height	Stainless
WZDC-12/9	12"	9"	449
WZDC-12/21		21"	549
WZDC-12/33		33"	660
WZDC-28/9	28"	9"	549
WZDC-28/21		21"	798
WZDC-28/33		33"	1,034
CUSTOM	WIDTH X HEIGHT X PLUS		0.75 386

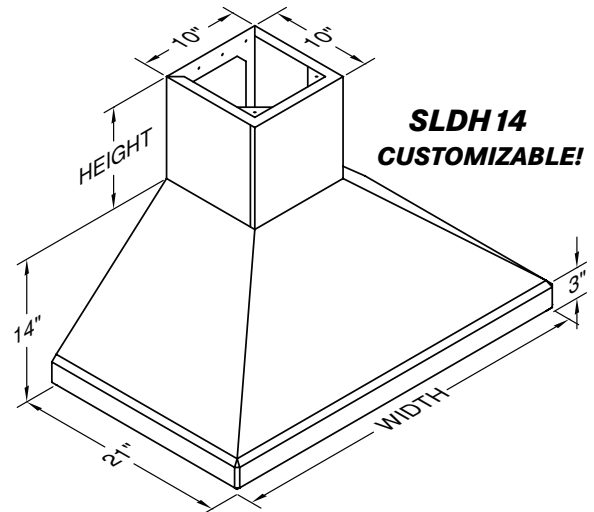
# EURO-STYLE WALL MOUNT



**PDH 14**

Model No.	CFM	Width	Painted	Stainless	Overlay*
PDH 14-130	300	30"	1,558	2,156	3,193
PDH 14-136		36"	1,594	2,193	3,328
PDH 14-142		42"	1,773	2,372	3,654
PDH 14-148		48"	1,846	2,458	3,838
PDH 14-236	600	36"	1,957	2,590	3,691
PDH 14-242		42"	2,136	2,768	4,016
PDH 14-248		48"	2,208	2,855	4,200

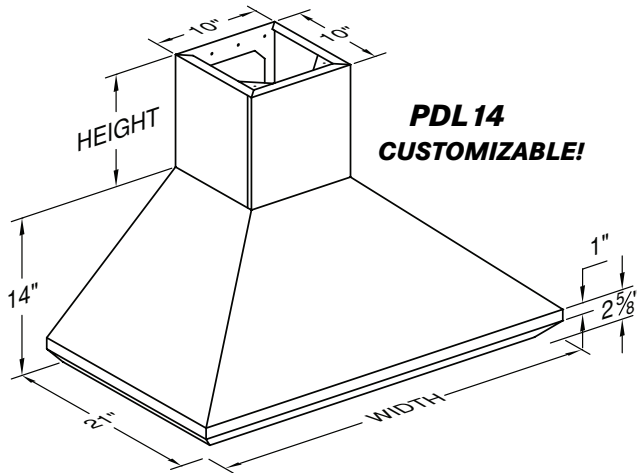
\*FOR OVERLAY MODELS, SPECIFY INTERIOR COLOR.



**SLDH 14**

Model No.	CFM	Width	Painted	Stainless
SLDH 14-130	300	30"	1,962	2,577
SLDH 14-136		36"	2,000	2,614
SLDH 14-142		42"	2,244	2,885
SLDH 14-148		48"	2,333	2,986
SLDH 14-236	600	36"	2,363	3,012
SLDH 14-242		42"	2,607	3,282
SLDH 14-248		48"	2,695	3,383

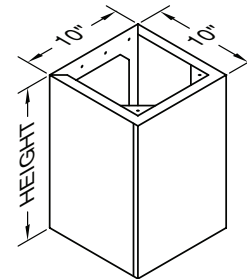
**RECOMMENDED MOUNTING HEIGHT FROM COOKING SURFACE: 24" FOR ALL THREE HOODS ON THIS PAGE. TRANSITION NOT INCLUDED**



**PDL 14**

Model No.	CFM	Width	Painted	Stainless	Overlay*
PDL 14-130	300	30"	1,558	2,156	3,193
PDL 14-136		36"	1,594	2,193	3,328
PDL 14-142		42"	1,773	2,372	3,654
PDL 14-148		48"	1,846	2,458	3,838
PDL 14-236	600	36"	1,957	2,590	3,691
PDL 14-242		42"	2,136	2,768	4,016
PDL 14-248		48"	2,208	2,855	4,200

\*FOR OVERLAY MODELS, SPECIFY INTERIOR COLOR.



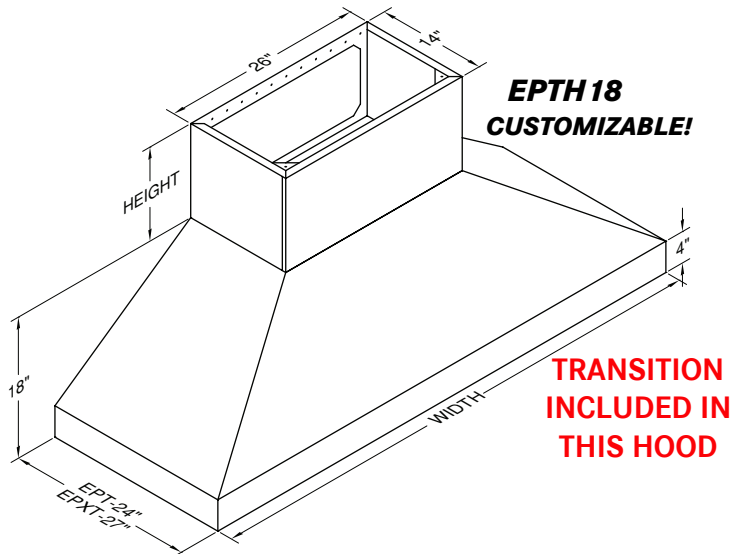
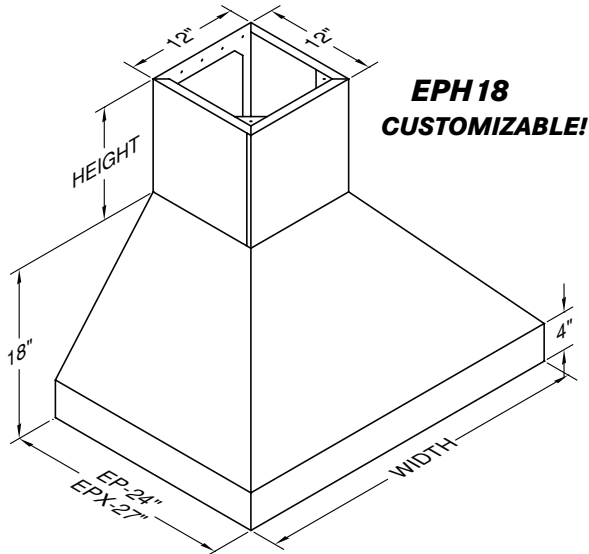
**14" TALL EURO-STYLE WALL MOUNT DUCT COVERS**

Model No.	Width	Height	Painted	Stainless	Overlay
WDCRND-10/10	10"	10"	424	461	498
WDCRND-10/22		22"	486	549	636
WDCRND-10/34		34"	549	636	772
CUSTOM	WIDTH X HEIGHT X PLUS		0.47	0.75	1.17
			386		

## 14" TALL WALL EURO-STYLE MOUNT HOOD VARIATIONS

<b>SPECIAL WIDTH (LESS THAN 48")</b> USE NEXT LARGEST SIZE ON PRICE LIST, PLUS				226
<b>DEPTH OVER 21"</b>				
	PAINTED	STAINLESS	OVERLAY	
WIDTH X EXTRA DEPTH X PLUS	1.11	1.64	2.23	
				386
<b>STAINLESS STEEL INTERIOR ON OVERLAY HOOD</b> SUBTRACT PAINTED HOOD PRICE FROM STAINLESS HOOD PRICE				
<b>CUSTOM COLOR (SEE CUSTOM COLOR CHART)</b> ADD				
				680
<b>TRIM OPTIONS</b> SEE PAGES 52-53 FOR FINISH AND TRIM OPTIONS				

# EURO-STYLE WALL MOUNT



## EPH18/EPXH18

Model No.	CFM	Width	Painted	Stainless	Overlay*
EPH18-236	600	36"	2,401	3,035	4,223
EPH18-242		42"	2,567	3,210	4,512
EPH18-248		48"	2,732	3,398	4,870

FOR 27" DEEP MODEL, ORDER EPXH18 (NO ADDITIONAL COST)  
 \*FOR OVERLAY MODELS, SPECIFY INTERIOR COLOR.

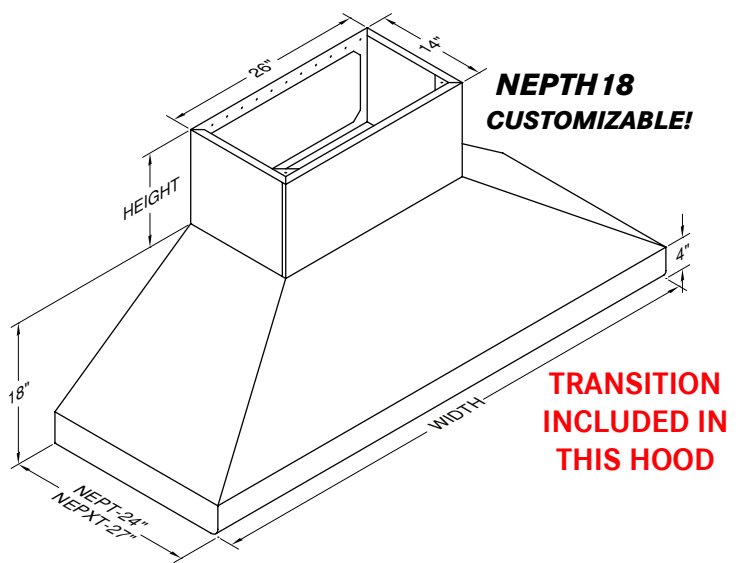
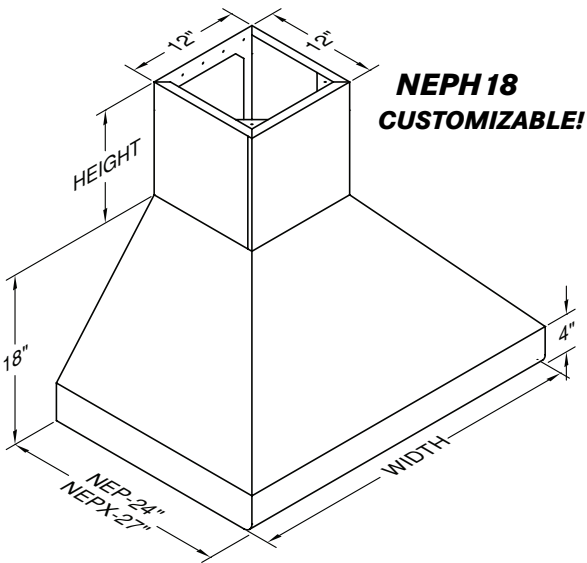
## EPTH18/EPXTH18

Model No.	CFM	Width	Painted	Stainless	Overlay*
EPTH18-342	900	42"	3,696	4,414	5,744
EPTH18-348		48"	3,786	4,504	5,937
EPTH18-354		54"	4,150	5,166	6,535
EPTH18-360		60"	4,316	5,398	6,843
EPTH18-366	1200	66"	4,469	5,641	7,152
EPTH18-454		54"	4,512	5,562	6,898
EPTH18-460		60"	4,679	5,794	7,206
EPTH18-466		66"	4,832	6,038	7,515

FOR 27" DEEP MODEL, ORDER EPXTH18 (NO ADDITIONAL COST)  
 \*FOR OVERLAY MODELS, SPECIFY INTERIOR COLOR.

ALL MODELS THIS PAGE:

RECOMMENDED MOUNTING HEIGHT FROM COOKING SURFACE: 30"  
 SHOWN WITH MATCHING DUCT COVER - SOLD SEPARATELY



## NEPH18/NEPXH18

Model No.	CFM	Width	Painted	Stainless	Overlay*
NEPH18-236	600	36"	2,745	3,327	4,090
NEPH18-242		42"	2,845	3,525	5,003
NEPH18-248		48"	3,017	3,666	5,067

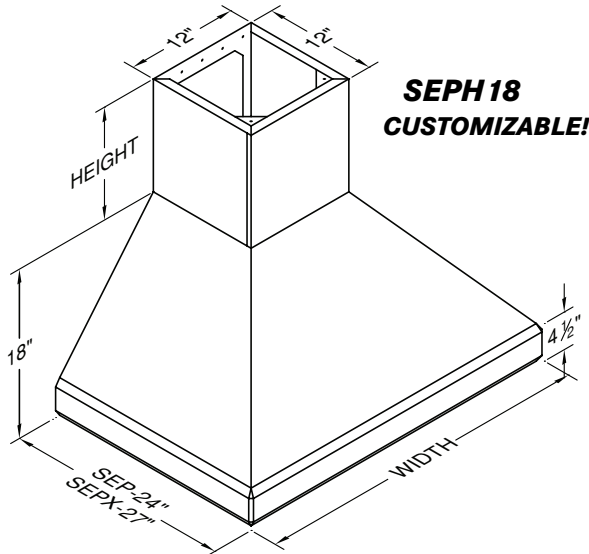
FOR 27" DEEP MODEL, ORDER NEPXH18 (NO ADDITIONAL COST)  
 \*FOR OVERLAY MODELS, SPECIFY INTERIOR COLOR.

## NEPTH18/NEPXTH18

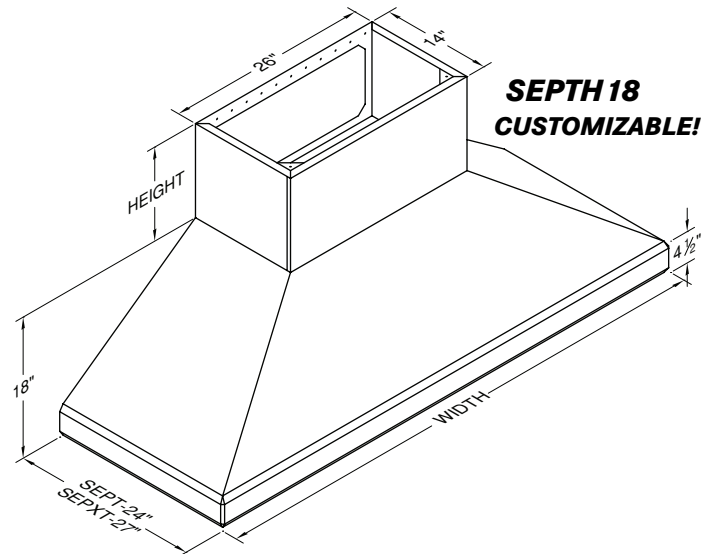
Model No.	CFM	Width	Painted	Stainless	Overlay*
NEPTH18-342	900	42"	3,939	4,761	5,990
NEPTH18-348		48"	4,029	4,852	6,182
NEPTH18-354		54"	4,392	5,410	6,780
NEPTH18-360		60"	4,546	5,641	7,088
NEPTH18-366	1200	66"	4,714	5,875	7,398
NEPTH18-454		54"	4,755	5,807	7,142
NEPTH18-460		60"	4,909	6,038	7,450
NEPTH18-466		66"	5,075	6,271	7,759

FOR 27" DEEP MODEL, ORDER NEPXTH18 (NO ADDITIONAL COST)  
 \*FOR OVERLAY MODELS, SPECIFY INTERIOR COLOR.

# EURO-STYLE WALL MOUNT



**SEPH 18  
CUSTOMIZABLE!**



**SEPTH 18  
CUSTOMIZABLE!**

## SEPH 18/SEPHX 18

Model No.	CFM	Width	Painted	Stainless
SEPH 18-236	600	36"	2,857	3,397
SEPH 18-242		42"	3,036	3,576
SEPH 18-248		48"	3,124	3,662

FOR 27" DEEP MODEL, ORDER SEPHX 18 (NO ADDITIONAL COST)

## SEPTH 18/SEPTX 18

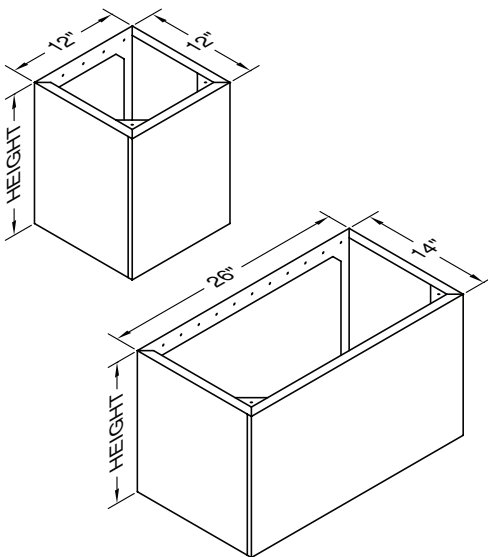
Model No.	CFM	Width	Painted	Stainless
SEPTH 18-342	900	42"	4,155	5,202
SEPTH 18-348		48"	4,506	5,307
SEPTH 18-354		54"	4,849	5,858
SEPTH 18-360		60"	5,018	6,092
SEPTH 18-366		66"	5,174	6,340
SEPTH 18-454	1200	54"	5,212	6,255
SEPTH 18-460		60"	5,380	6,489
SEPTH 18-466		66"	5,537	6,736

FOR 27" DEEP MODEL, ORDER SEPTX 18 (NO ADDITIONAL COST)

**RECOMMENDED MOUNTING HEIGHT  
FROM COOKING SURFACE: 30"  
TRANSITION NOT INCLUDED**

**Shown with matching duct cover  
(Sold Separately)**

**RECOMMENDED MOUNTING HEIGHT  
FROM COOKING SURFACE: 30"  
TRANSITION INCLUDED IN THE HOOD  
Shown with matching duct cover  
(Sold Separately)**



## 18" TALL EURO-STYLE WALL MOUNT DUCT COVERS

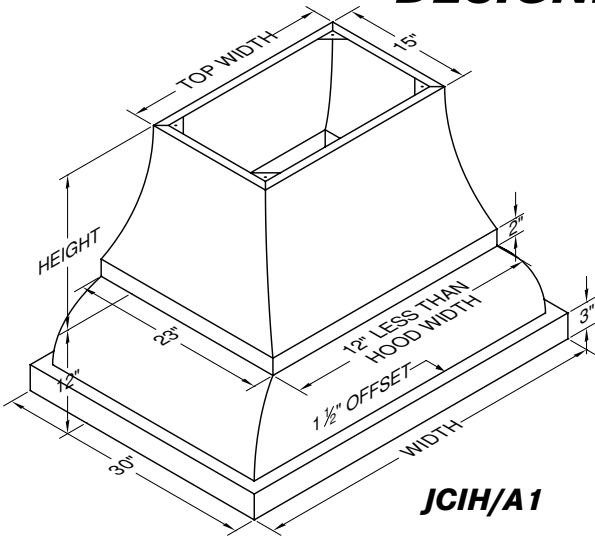
Model No.	Width	Height	Painted	Stainless	Overlay
WDCRND-12/12	12"	12"	449	486	549
WDCRND-12/24		24"	512	598	711
WDCRND-12/36		36"	586	697	884
WDCRND-26/12	26"	12"	524	611	748
WDCRND-26/24		24"	673	847	1,109
WDCRND-26/36		36"	823	1,071	1,471
CUSTOM	WIDTH X HEIGHT X		0.47	0.75	1.17
	PLUS				

## 18" TALL WALL EURO-STYLE MOUNT HOOD VARIATIONS

WIDTHS OVER 48"/66"				SPECIAL WIDTH (LESS THAN 48"/66")	
FOR EACH 6" INCREMENT	PAINTED	STAINLESS	OVERLAY	USE NEXT LARGEST SIZE ON PRICE LIST,	
PLUS	175	250	311	PLUS 226	
DEPTH OVER 24" (EXCLUDING 27")				STAINLESS STEEL INTERIOR ON OVERLAY HOOD	
WIDTH X EXTRA DEPTH X	PAINTED	STAINLESS	OVERLAY	SUBTRACT PAINTED HOOD PRICE FROM STAINLESS HOOD PRICE	
PLUS	1.11	1.64	2.23	CUSTOM COLOR (SEE CUSTOM COLOR CHART)	
				ADD 680	
				TRIM OPTIONS	
SEE PAGES 52-53 FOR FINISH AND TRIM OPTIONS					

# DESIGNER SERIES ISLAND

## JCIH/A1



**JCIH/A1**

Model No.	CFM	Width	Top W.	Painted	Stainless	Overlay*
JCIH236/A1	550*	36"	24"	3,560	4,629	6,582
JCIH242/A1		42"	30"	3,680	4,853	6,832
JCIH248/A1		48"	36"	3,785	4,936	7,017
JCIH254/A1		54"	42"	4,105	5,350	7,621
JCIH448/A1	1100+	48"	36"	4,556	5,921	7,787
JCIH454/A1		54"	42"	4,875	6,335	8,391
JCIH460/A1		60"	48"	5,379	7,016	10,205
JCIH466/A1		66"	54"	5,553	7,242	10,547

\*FOR OVERLAY HOODS, SPECIFY INTERIOR COLOR  
 \*VP565 TRANSITION TO 8" ROUND INCLUDED WITH 550 CFM MODELS  
 +VP564 TRANSITION TO 12" ROUND INCLUDED WITH 1100 CFM MODELS

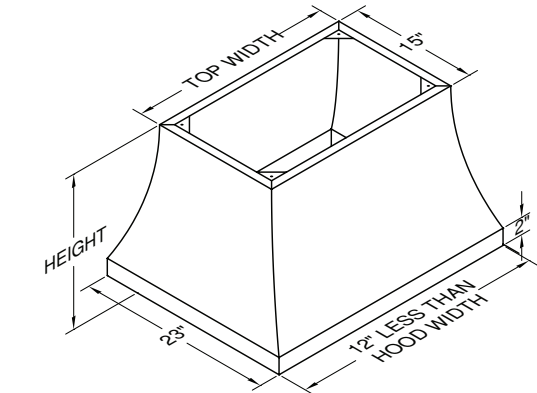
### DUCT COVERS FOR JCIH/A1

Model No.	Width	Top W.	Height	Painted	Stainless	Overlay*
ICDC-24/15/18	24"	18"	18"	1,658	1,745	1,981
ICDC-24/15/30		15"	30"	1,833	1,981	2,380
ICDC-24/15/42		15"	42"	2,006	2,219	2,780
ICDC-30/15/18	30"	24"	18"	1,720	1,845	2,131
ICDC-30/15/30		18"	30"	1,944	2,131	2,630
ICDC-30/15/42		18"	42"	2,168	2,430	3,128
ICDC-36/15/18	36"	30"	18"	1,795	1,932	2,280
ICDC-36/15/30		24"	30"	2,056	2,280	2,879
ICDC-36/15/42		18"	42"	2,318	2,642	3,465
ICDC-42/15/18	42"	36"	18"	1,857	2,019	2,430
ICDC-42/15/30		30"	30"	2,168	2,430	3,128
ICDC-42/15/42		24"	42"	2,467	2,841	3,814
ICDC-48/15/18	48"	42"	18"	1,920	2,107	2,580
ICDC-48/15/30		36"	30"	2,268	2,580	3,365
ICDC-48/15/42		30"	42"	2,630	3,054	4,162
ICDC-54/15/18	54"	48"	18"	1,981	2,193	2,729
ICDC-54/15/30		42"	30"	2,380	2,729	3,615
ICDC-54/15/42		36"	42"	2,780	3,265	4,499

\*TRIM REQUIRED ON MODELS EXCEEDING 35" WIDTH AND 30" HEIGHT

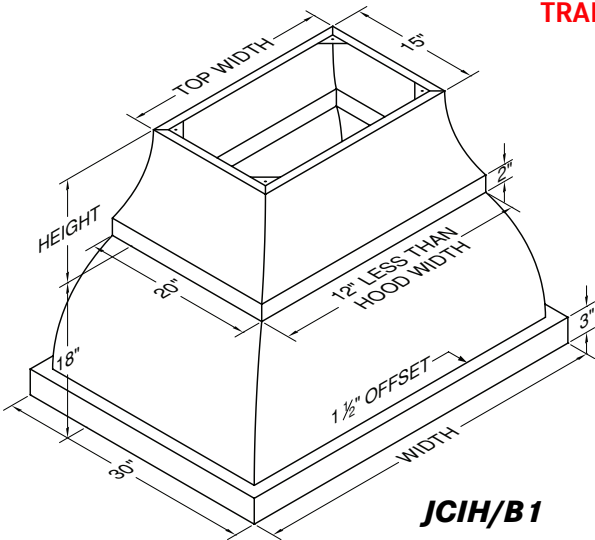
**HOODS ON THIS PAGE: RECOMMENDED MOUNTING HEIGHT FROM COOKING SURFACE: 30"**

**TRANSITION INCLUDED SEPARATELY - DUCT COVERS SOLD SEPARATELY.**



**JCIH/B1**

## JCIH/B1



Model No.	CFM	Width	Top W.	Painted	Stainless	Overlay*
JCIH236/B1	550*	36"	24"	3,560	4,629	6,582
JCIH242/B1		42"	30"	3,680	4,853	6,832
JCIH248/B1		48"	36"	3,785	4,936	7,017
JCIH254/B1		54"	42"	4,105	5,350	7,621
JCIH448/B1	1100+	48"	36"	4,556	5,921	7,787
JCIH454/B1		54"	42"	4,875	6,335	8,391
JCIH460/B1		60"	48"	5,379	7,016	10,205
JCIH466/B1		66"	54"	5,553	7,242	10,547

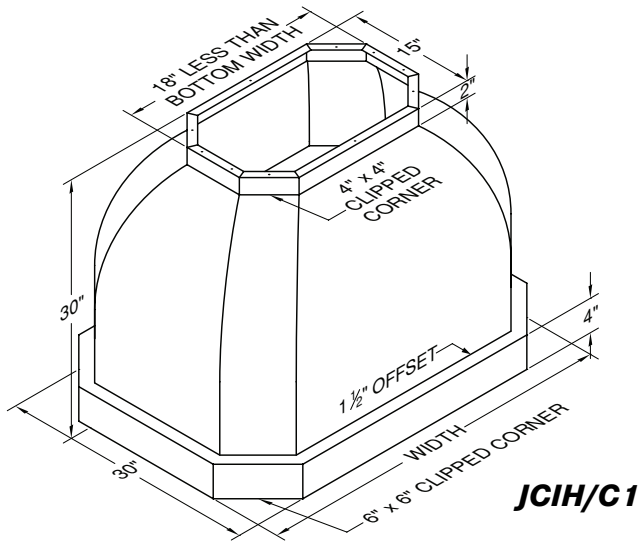
\*FOR OVERLAY HOODS, SPECIFY INTERIOR COLOR  
 \*VP565 TRANSITION TO 8" ROUND INCLUDED WITH 550 CFM MODELS  
 +VP564 TRANSITION TO 12" ROUND INCLUDED WITH 1100 CFM MODELS

### DUCT COVERS FOR JCIH/B1

Model No.	Width	Top W.	Height	Painted	Stainless	Overlay*
ICDC-24/15/12	24"	18"	12"	1,658	1,745	1,981
ICDC-24/15/24		18"	24"	1,833	1,981	2,380
ICDC-24/15/36		15"	36"	2,006	2,219	2,780
ICDC-30/15/12	30"	24"	12"	1,720	1,845	2,131
ICDC-30/15/24		18"	24"	1,944	2,131	2,630
ICDC-30/15/36		18"	36"	2,168	2,430	3,128
ICDC-36/15/12	36"	30"	12"	1,795	1,932	2,280
ICDC-36/15/24		24"	24"	2,056	2,280	2,879
ICDC-36/15/36		18"	36"	2,318	2,642	3,465
ICDC-42/15/12	42"	36"	12"	1,857	2,019	2,430
ICDC-42/15/24		30"	24"	2,168	2,430	3,128
ICDC-42/15/36		24"	36"	2,467	2,841	3,814
ICDC-48/15/12	48"	42"	12"	1,920	2,107	2,580
ICDC-48/15/24		36"	24"	2,268	2,580	3,365
ICDC-48/15/36		30"	36"	2,630	3,054	4,162
ICDC-54/15/12	54"	48"	12"	1,981	2,193	2,729
ICDC-54/15/24		42"	24"	2,380	2,729	3,615
ICDC-54/15/36		36"	36"	2,780	3,265	4,499

\*TRIM REQUIRED ON MODELS EXCEEDING 35" WIDTH AND 30" HEIGHT

# DESIGNER SERIES ISLAND

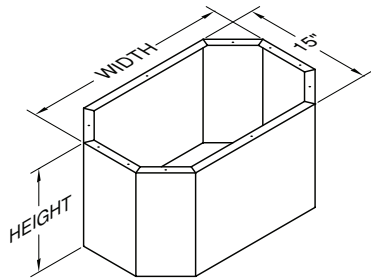


## JCIH/C1

Model No.	CFM	Width	Painted	Stainless	Overlay*
JCIH236/C1	550*	36"	4,906	6,210	8,150
JCIH242/C1		42"	5,118	6,518	8,559
JCIH248/C1		48"	5,290	6,770	8,624
JCIH254/C1		54"	5,661	7,290	9,626
JCIH448/C1	1100+	48"	6,060	7,755	9,395
JCIH454/C1		54"	6,431	8,275	10,396
JCIH460/C1		60"	6,909	8,955	12,135
JCIH466/C1		66"	7,161	9,301	12,622

• FOR OVERLAY HOODS, SPECIFY INTERIOR COLOR  
 \*VP565 TRANSITION TO 8" ROUND INCLUDED WITH 550 CFM MODELS  
 +VP564 TRANSITION TO 12" ROUND INCLUDED WITH 1100 CFM MODELS

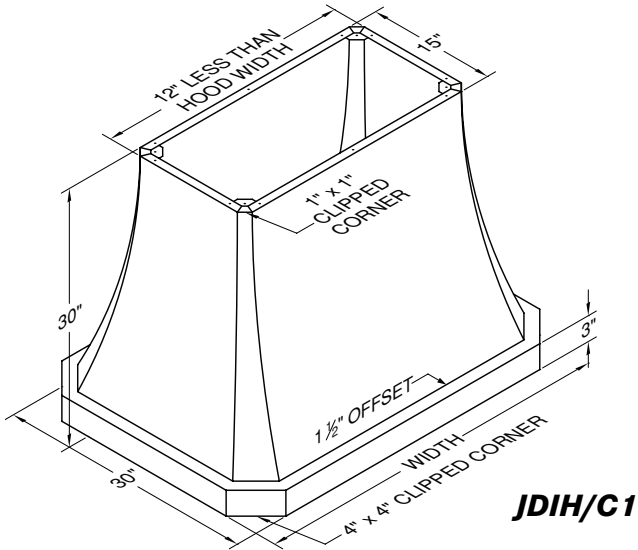
**RECOMMENDED MOUNTING HEIGHT FROM COOKING SURFACE: 30"**  
**TRANSITION INCLUDED SEPARATELY**



## DUCT COVERS FOR JCIH/C1

Model No.	Width	Height	Painted	Stainless	Overlay
IDCC4-18/12	18"	12"	1,246	1,296	1,408
IDCC4-18/24		24"	1,384	1,471	1,707
IDCC4-24/12	24"	12"	1,296	1,346	1,508
IDCC4-24/24		24"	1,471	1,583	1,906
IDCC4-30/12	30"	12"	1,333	1,408	1,608
IDCC4-30/24		24"	1,558	1,707	2,107
IDCC4-36/12	36"	12"	1,384	1,471	1,707
IDCC4-36/24		24"	1,646	1,819	2,294
IDCC4-42/12	42"	12"	1,421	1,533	1,807
IDCC4-42/24		24"	1,733	1,944	2,493
IDCC4-48/12	48"	12"	1,471	1,583	1,906
IDCC4-48/24		24"	1,819	2,056	2,692

# DESIGNER SERIES ISLAND



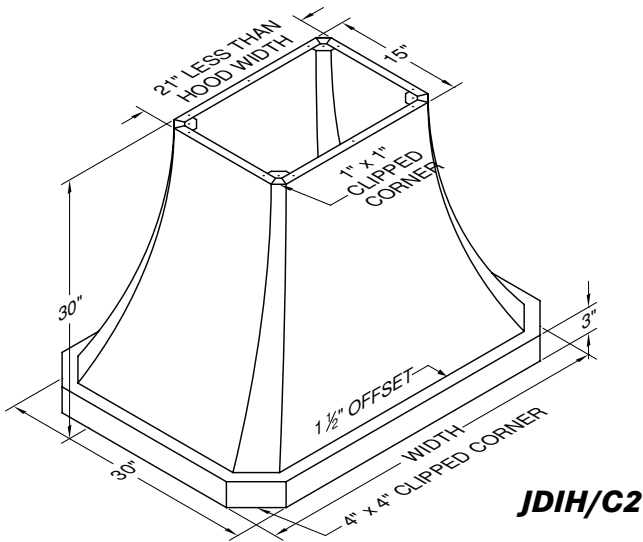
## JDIH/C1

Model No.	CFM	Width	Painted	Stainless	Overlay*
JDIH236/C1	550*	36"	4,906	6,210	8,150
JDIH242/C1		42"	5,118	6,518	8,559
JDIH248/C1		48"	5,290	6,770	8,624
JDIH254/C1	1100+	54"	5,661	7,290	9,626
JDIH448/C1		48"	6,060	7,755	9,395
JDIH454/C1		54"	6,431	8,275	10,396
JDIH460/C1		60"	6,909	8,955	12,135
JDIH466/C1		66"	7,161	9,301	12,622

• FOR OVERLAY HOODS, SPECIFY INTERIOR COLOR  
 \*VP565 TRANSITION TO 8" ROUND INCLUDED WITH 550 CFM MODELS  
 +VP564 TRANSITION TO 12" ROUND INCLUDED WITH 1100 CFM MODELS

**RECOMMENDED MOUNTING HEIGHT FROM COOKING SURFACE: 30"**

**TRANSITION INCLUDED SEPARATELY**



## JDIH/C2

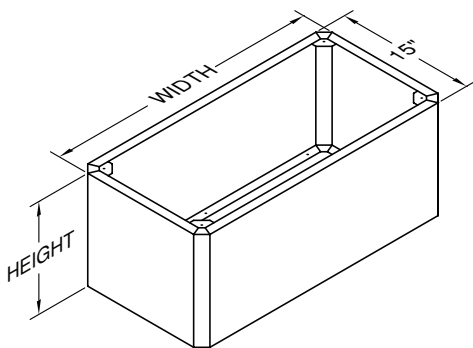
Model No.	CFM	Width	Painted	Stainless	Overlay*
JDIH236/C2	550*	36"	4,906	6,210	8,150
JDIH242/C2		42"	5,118	6,518	8,559
JDIH248/C2		48"	5,290	6,770	8,624
JDIH254/C2	1100+	54"	5,661	7,290	9,626
JDIH448/C2		48"	6,060	7,755	9,395
JDIH454/C2		54"	6,431	8,275	10,396
JDIH460/C2		60"	6,909	8,955	12,135
JDIH466/C2		66"	7,161	9,301	12,622

• FOR OVERLAY HOODS, SPECIFY INTERIOR COLOR  
 \*VP565 TRANSITION TO 8" ROUND INCLUDED WITH 550 CFM MODELS  
 +VP564 TRANSITION TO 12" ROUND INCLUDED WITH 1100 CFM MODELS

**RECOMMENDED MOUNTING HEIGHT FROM COOKING SURFACE: 30"**

**TRANSITION INCLUDED SEPARATELY**

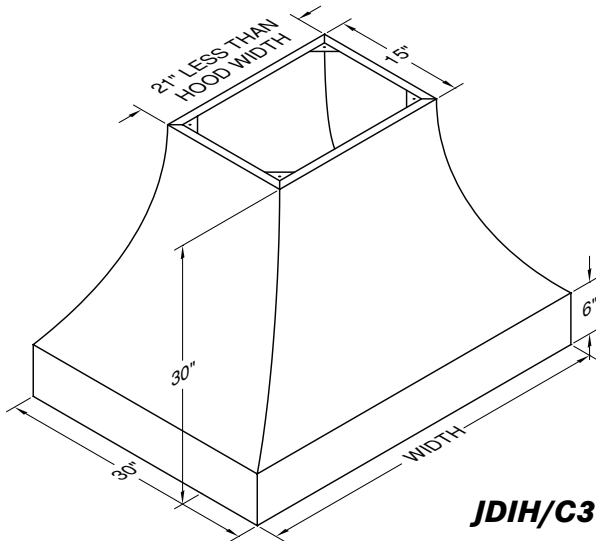
## DUCT COVERS FOR JDIH/C1 & JDIH/C2



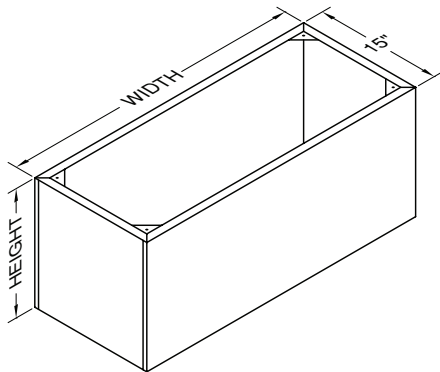
Model No.	Width	Height	Painted	Stainless	Overlay
IDCC1-15/12	15"	12"	1,221	1,258	1,359
IDCC1-15/24		24"	1,333	1,408	1,608
IDCC1-21/12	21"	12"	1,272	1,321	1,459
IDCC1-21/24		24"	1,421	1,533	1,807
IDCC1-24/12	24"	12"	1,296	1,346	1,508
IDCC1-24/24		24"	1,471	1,583	1,906
IDCC1-27/12	27"	12"	1,309	1,384	1,558
IDCC1-27/24		24"	1,508	1,646	2,006
IDCC1-30/12	30"	12"	1,333	1,408	1,608
IDCC1-30/24		24"	1,558	1,707	2,107
IDCC1-33/12	33"	12"	1,359	1,433	1,658
IDCC1-33/24		24"	1,595	1,770	2,193
IDCC1-36/12	36"	12"	1,384	1,471	1,707
IDCC1-36/24		24"	1,646	1,819	2,294
IDCC1-39/12	39"	12"	1,396	1,496	1,758
IDCC1-39/24		24"	1,683	1,882	2,393
IDCC1-42/12	42"	12"	1,421	1,533	1,807
IDCC1-42/24		24"	1,733	1,944	2,493
IDCC1-45/12	45"	12"	1,445	1,558	1,857
IDCC1-45/24		24"	1,770	2,006	2,593
IDCC1-48/12	48"	12"	1,471	1,583	1,906
IDCC1-48/24		24"	1,819	2,056	2,692
IDCC1-54/12	54"	12"	1,508	1,646	2,006
IDCC1-54/24		24"	1,906	2,181	2,892

• TRIM REQUIRED ON MODELS EXCEEDING 35" WIDTH AND 30" HEIGHT

# DESIGNER SERIES ISLAND



**JD IH/C3**



**JD IH/C3**

Model No.	CFM	Width	Painted	Stainless	Overlay*
JDIH236/C3	550*	36"	4,906	6,210	8,150
JDIH242/C3		42"	5,118	6,518	8,559
JDIH248/C3		48"	5,290	6,770	8,624
JDIH254/C3		54"	5,661	7,290	9,626
JDIH448/C3	1100+	48"	6,060	7,755	9,395
JDIH454/C3		54"	6,431	8,275	10,396
JDIH460/C3		60"	6,909	8,955	12,135
JDIH466/C3		66"	7,161	9,301	12,622

• FOR OVERLAY HOODS, SPECIFY INTERIOR COLOR  
 \*VP565 TRANSITION TO 8" ROUND INCLUDED WITH 550 CFM MODELS  
 +VP564 TRANSITION TO 12" ROUND INCLUDED WITH 1100 CFM MODELS

**RECOMMENDED MOUNTING HEIGHT FROM COOKING SURFACE: 30"**

**TRANSITION INCLUDED SEPARATELY**

**IDCRND FOR JD IH/C3**

Model No.	Width	Height	Painted	Stainless	Overlay
IDCRND-15/12	15"	12"	486	524	624
IDCRND-15/24		24"	598	673	872
IDCRND-21/12	21"	12"	540	594	730
IDCRND-21/24		24"	694	802	1,077
IDCRND-27/12	27"	12"	583	653	831
IDCRND-27/24		24"	782	922	1,275
IDCRND-33/12	33"	12"	628	714	930
IDCRND-33/24		24"	870	1,042	1,472
IDCRND-39/12	39"	12"	672	772	1,027
IDCRND-39/24		24"	958	1,161	1,669
IDCRND-45/12	45"	12"	716	833	1,126
IDCRND-45/24		24"	1,047	1,279	1,866
CUSTOM	WIDTH X HEIGHT X		0.62	0.83	1.38
	PLUS		386		

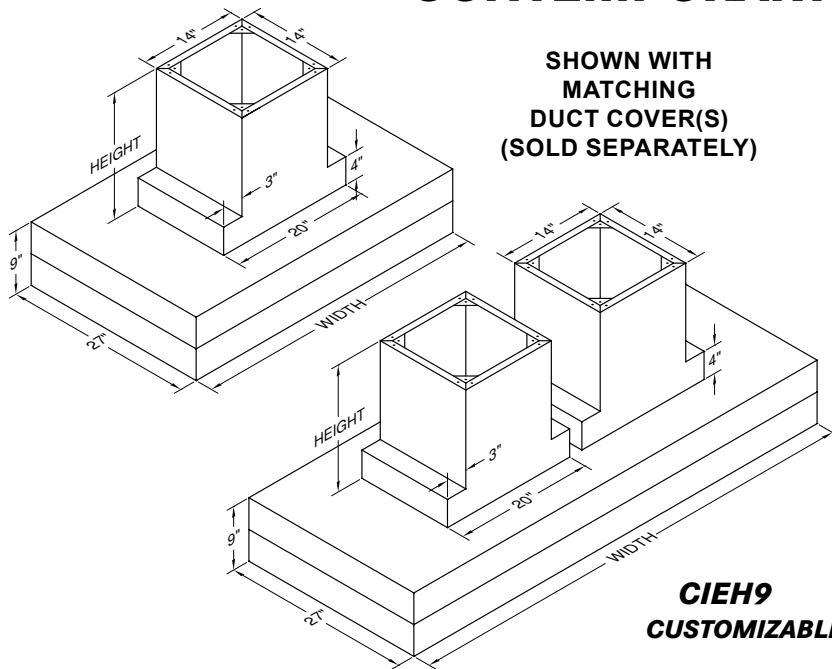
## JD IHIC2 AS SEEN IN ADVERTISING LITERATURE



CFM	WIDTH					
	36"	42"	48"	54"	60"	66"
550 CFM	10,195.92	10,713.64	10,887.36	11,998.08		
1100 CFM			11,658.36	12,768.08	14,615.80	15,211.52

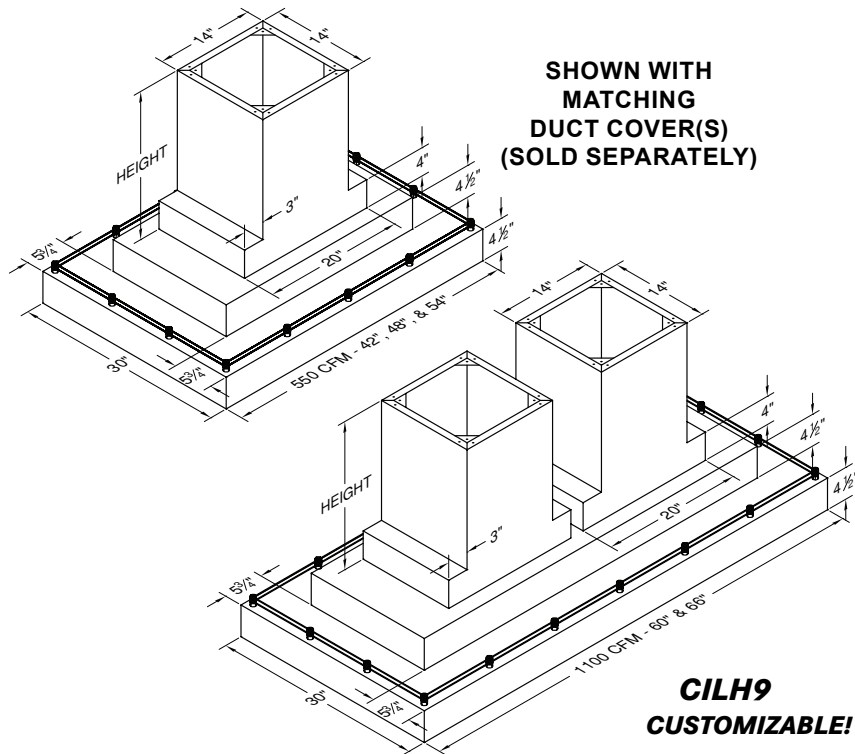
Priced as shown with antiqued hammered copper finish and copper rail.

# CONTEMPORARY ISLAND



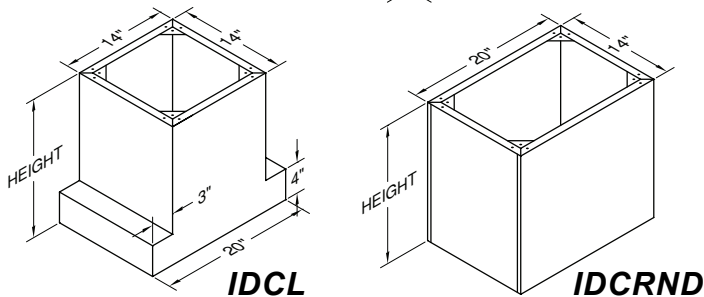
SHOWN WITH  
MATCHING  
DUCT COVER(S)  
(SOLD SEPARATELY)

**CIEH9  
CUSTOMIZABLE!**



SHOWN WITH  
MATCHING  
DUCT COVER(S)  
(SOLD SEPARATELY)

**CILH9  
CUSTOMIZABLE!**



**IDCL**

**IDCRND**

## CIEH9

Model No.	CFM*	Width	Painted	Stainless
CIEH9-236	550	36"	3,263	4,138
CIEH9-242		42"	3,288	4,289
CIEH9-248		48"	3,464	4,529
CIEH9-254		54"	3,753	4,898
CIEH9-2+260	1100	60"	5,025	6,535
CIEH9-2+266		66"	5,178	6,753

\*VP565 TRANSITION TO 8" ROUND INCL. WITH EACH DUAL BLOWER

RECOMMENDED MOUNTING HEIGHT FROM  
COOKING SURFACE: 30"  
**TRANSITION INCLUDED SEPARATELY**

## CILH9

Model No.	CFM*	Width	Painted	Stainless
CILH9-242	550	42"	3,288	4,289
CILH9-248		48"	3,464	4,529
CILH9-254		54"	3,753	4,909
CILH9-2+260	1100	60"	5,140	6,535
CILH9-2+266		66"	5,178	6,753

\*VP565 TRANSITION TO 8" ROUND INCL. WITH EACH DUAL BLOWER

RECOMMENDED MOUNTING HEIGHT FROM  
COOKING SURFACE: 30"  
**TRANSITION(S) INCLUDED SEPARATELY**

## IDCL/IDCRND FOR CIEH9/CILH9

Model No.	Width	Height	Painted	Stainless
IDCL-14/20/9	20"	9"	486	524
IDCL-14/20/21		21"	636	723
IDCL-14/20/33		33"	785	910
IDCRND-14/20/9	20"	9"	486	524
IDCRND-14/20/21		21"	636	723
IDCRND-14/20/33		33"	785	910
IDCRND-14/20/45		45"	922	1,009
CUSTOM	WIDTH X HEIGHT X PLUS		0.62	0.83
			386	

## CIEH9/CILH9 VARIATIONS

### WIDTHS OVER 66"

FOR EACH 6" INCREMENT  
PLUS

PAINTED	262
STAINLESS	226

### SPECIAL WIDTH (LESS THAN 66")

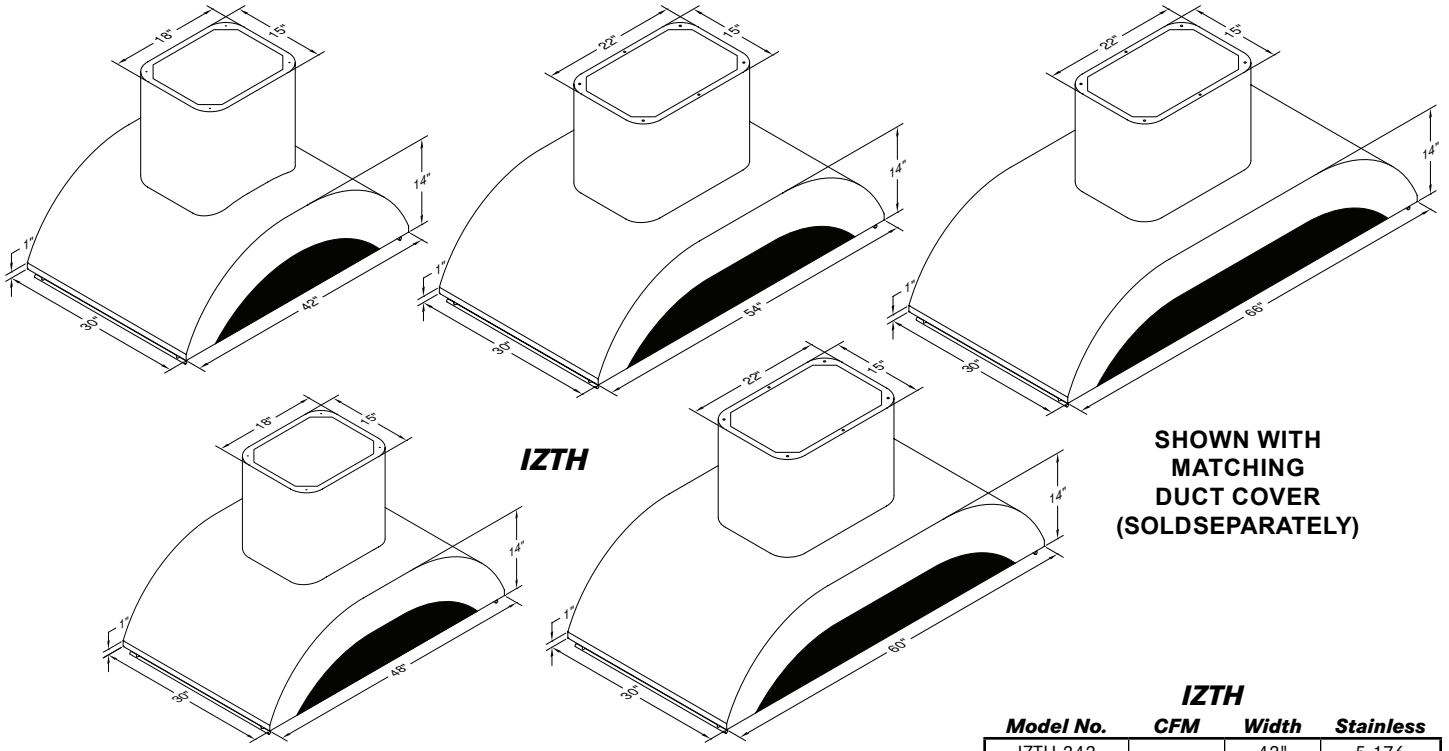
USE NEXT LARGEST SIZE ON PRICE LIST,  
PLUS

226

### REMOVE GALLEY RAIL (CILH9 ONLY)

TO REMOVE RAIL, NO CHARGE

# CONTEMPORARY ISLAND



**SHOWN WITH  
MATCHING  
DUCT COVER  
(SOLD SEPARATELY)**

**IZTH**

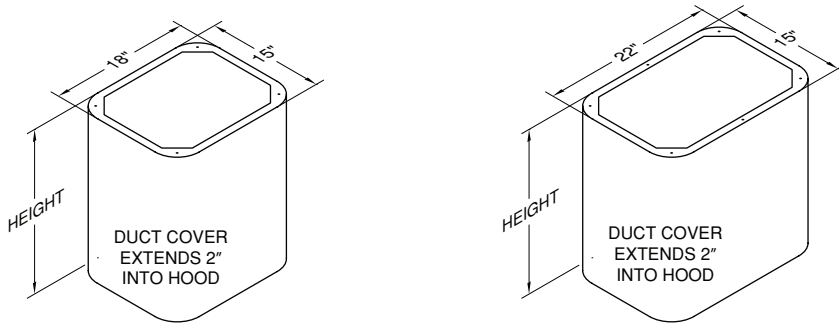
<b>IZTH VARIATIONS</b>	
<b>REMOVE FIXED LENGTH SS RAIL</b>	
ADD	386

**IZTH**

<b>Model No.</b>	<b>CFM</b>	<b>Width</b>	<b>Stainless</b>
IZTH-242	550*	42"	5,176
IZTH-248		48"	5,289
IZTH-454	1100+	54"	6,866
IZTH-460		60"	7,394
IZTH-466		66"	7,649

\*VP565 TRANSITION TO 8" ROUND INCLUDED  
+VP564 TRANSITION TO 12" ROUND INCLUDED

**RECOMMENDED MOUNTING HEIGHT FROM  
COOKING SURFACE: 30"**  
**TRANSITION INCLUDED SEPARATELY**

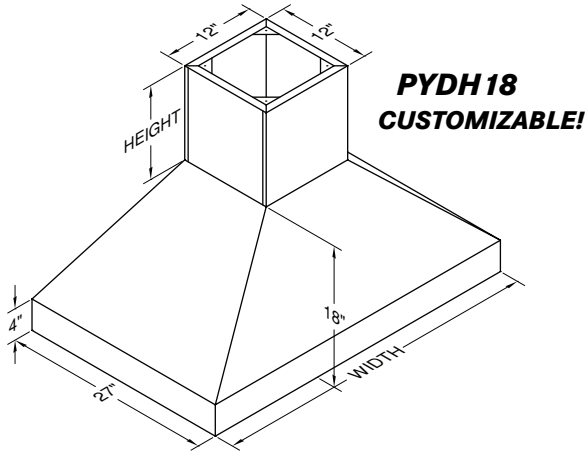


**NOTE: DUCT COVER WILL HAVE  
A VISIBLE SEAM ON ONE SIDE.**

## DUCT COVERS FOR IZTH

<b>Model No.</b>	<b>Width</b>	<b>Height</b>	<b>Stainless</b>
IZDC-18/6	18"	6"	474
IZDC-18/18		18"	648
IZDC-18/30		30"	823
IZDC-22/6	22"	6"	486
IZDC-22/18		18"	697
IZDC-22/30		30"	910
CUSTOM	WIDTH X HEIGHT X		0.83
	PLUS		386

# EURO-STYLE ISLAND

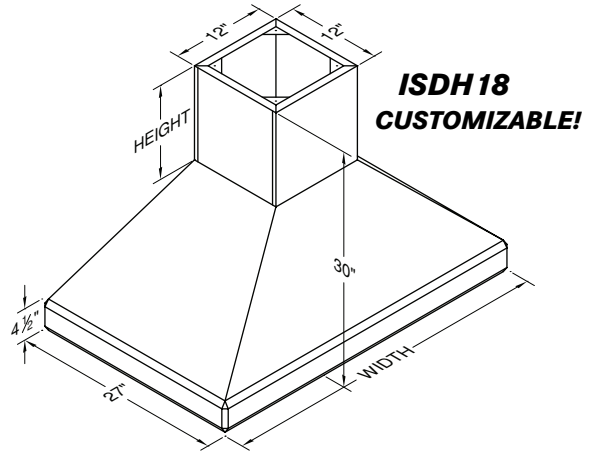


**PYDH 18  
CUSTOMIZABLE!**

## PYDH 18

Model No.	CFM	Width	Painted	Stainless	Overlay*
PYDH18-236	550	36"	3,175	4,138	6,043
PYDH18-242		42"	3,288	4,289	6,269
PYDH18-248		48"	3,464	4,529	6,445

\*FOR OVERLAY MODELS, SPECIFY INTERIOR COLOR.

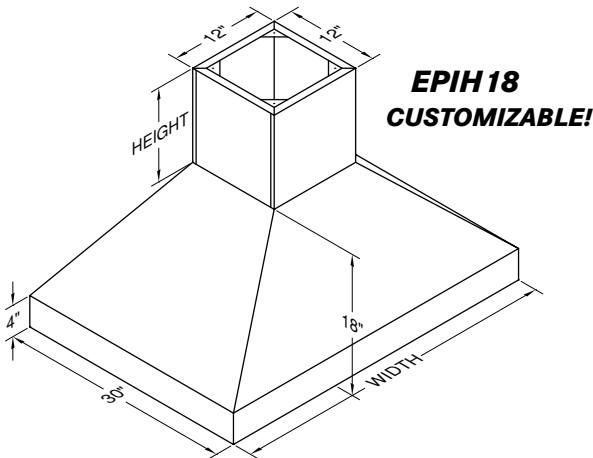


**ISDH 18  
CUSTOMIZABLE!**

## ISDH 18

Model No.	CFM	Width	Painted	Stainless
ISDH18-236	550	36"	3,665	4,656
ISDH18-242		42"	3,779	4,807
ISDH18-248		48"	3,867	4,921

**ALL VENT HOODS THIS PAGE: RECOMMENDED MOUNTING HEIGHT FROM COOKING SURFACE: 30"**  
**TRANSITION INCLUDED SEPARATELY**

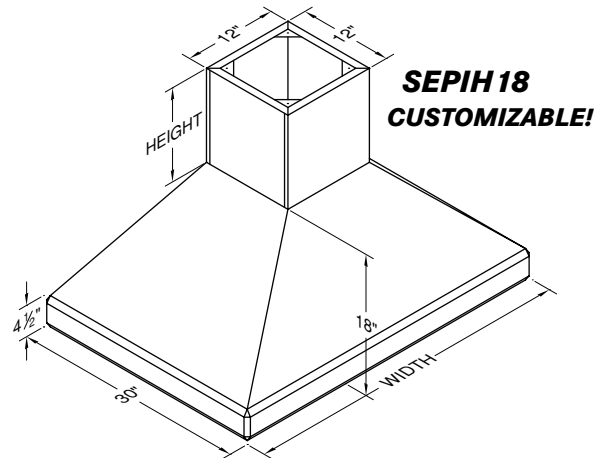


**EPIH 18  
CUSTOMIZABLE!**

## EPIH 18

Model No.	CFM	Width	Painted	Stainless	Overlay*
EPIH18-236	550	36"	3,263	4,138	6,043
EPIH18-242		42"	3,376	4,289	6,269
EPIH18-248		48"	3,464	4,529	6,445

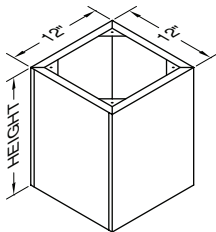
\*FOR OVERLAY MODELS, SPECIFY INTERIOR COLOR.



**SEPIH 18  
CUSTOMIZABLE!**

## SEPIH 18

Model No.	CFM	Width	Painted	Stainless
SEPIH18-236	550	36"	3,665	4,383
SEPIH18-242		42"	3,779	4,529
SEPIH18-248		48"	3,867	4,782



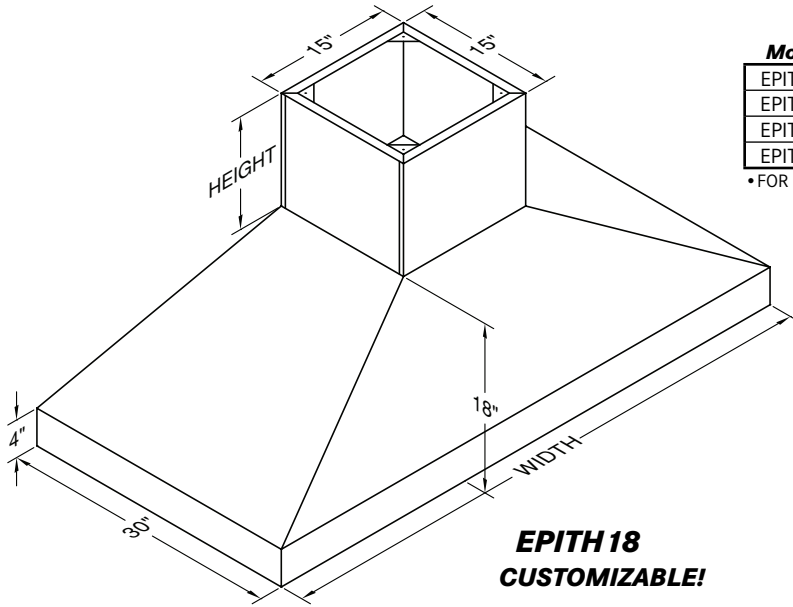
## 550 CFM EURO-STYLE ISLAND DUCT COVERS

Model No.	Width	Height	Painted	Stainless	Overlay
IDCRND-12/12	12"	12"	474	498	573
IDCRND-12/24		24"	561	611	772
IDCRND-12/36		36"	648	735	959
CUSTOM	WIDTH X HEIGHT X PLUS		0.62	0.83	1.38
			386		

## 550 CFM EURO-STYLE ISLAND HOOD VARIATIONS

<b>SPECIAL WIDTH (LESS THAN 48")</b> USE NEXT LARGEST SIZE ON PRICE LIST, PLUS				226
<b>DEPTH OVER 27"/30"</b>				
WIDTH X EXTRA DEPTH X PLUS	PAINTED	STAINLESS	OVERLAY	
	1.24	2.02	2.48	
		386		
	<b>STAINLESS STEEL INTERIOR ON OVERLAY HOOD</b> SUBTRACT PAINTED HOOD PRICE FROM STAINLESS HOOD PRICE			
	<b>REMOTE BLOWER OPTIONS</b> SEE PAGES 46-47 FOR REMOTE BLOWER OPTIONS			
	<b>CUSTOM COLOR (SEE CUSTOM COLOR CHART)</b> ADD			
	680			
	<b>TRIM OPTIONS</b> SEE PAGES 52-53 FOR FINISH AND TRIM OPTIONS			

# EURO-STYLE ISLAND



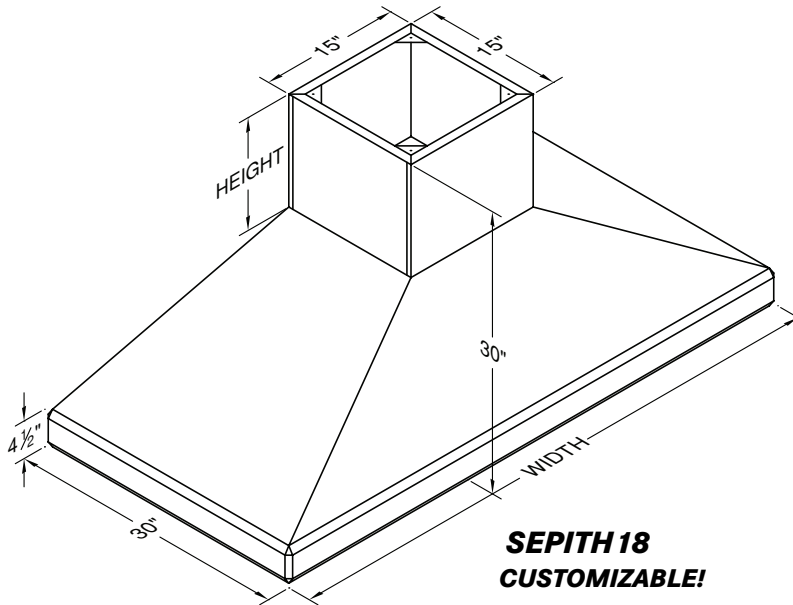
## EPITH 18

Model No.	CFM	Width	Painted	Stainless	Overlay*
EPITH 18-448	1100	48"	4,432	5,528	7,495
EPITH 18-454		54"	4,870	6,019	8,153
EPITH 18-460		60"	5,063	6,446	8,578
EPITH 18-466		66"	5,269	6,716	9,016

\*FOR OVERLAY MODELS, SPECIFY INTERIOR COLOR.

RECOMMENDED MOUNTING HEIGHT FROM COOKING SURFACE: 30"

**TRANSITION INCLUDED SEPARATELY**  
SHOWN WITH MATCHING DUCT COVER - SOLD SEPARATELY

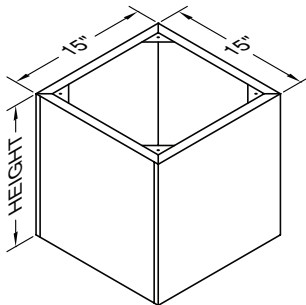


## SEPITH 18

Model No.	CFM	Width	Painted	Stainless
SEPITH 18-448	1100	48"	4,843	6,058
SEPITH 18-454		54"	5,282	6,575
SEPITH 18-460		60"	5,475	6,845
SEPITH 18-466		66"	5,668	7,130

RECOMMENDED MOUNTING HEIGHT FROM COOKING SURFACE: 30"

**TRANSITION INCLUDED SEPARATELY**  
SHOWN WITH MATCHING DUCT COVER - SOLD SEPARATELY



## 1100 CFM EURO-STYLE ISLAND DUCT COVERS

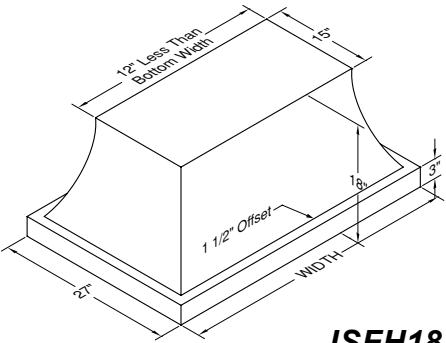
Model No.	Width	Height	Painted	Stainless	Overlay
IDCRND-15/12	15"	12"	486	524	624
IDCRND-15/24		24"	598	673	872
IDCRND-15/36		36"	711	823	1,101
CUSTOM	WIDTH X HEIGHT X PLUS		0.62	0.83	1.38
			386		

## 1100 CFM EURO-STYLE ISLAND HOOD VARIATIONS

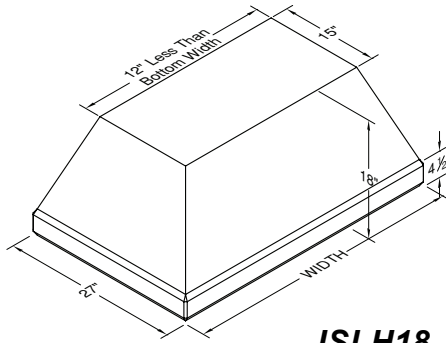
<b>WIDTHS OVER 66"</b>				<b>STAINLESS STEEL INTERIOR ON OVERLAY HOOD</b>	
FOR EACH 6" INCREMENT PLUS	PAINTED 199	STAINLESS 262	OVERLAY 411	SUBTRACT PAINTED HOOD PRICE FROM STAINLESS HOOD PRICE	
<b>SPECIAL WIDTH (LESS THAN 66")</b> USE NEXT LARGEST SIZE ON PRICE LIST, PLUS		226		<b>REMOTE BLOWER OPTIONS</b> SEE PAGES 46-47 FOR REMOTE BLOWER OPTIONS	
<b>DEPTH OVER 30"</b>	PAINTED 1.24	STAINLESS 2.02	OVERLAY 2.48	<b>CUSTOM COLOR (SEE CUSTOM COLOR CHART)</b> ADD 680	
WIDTH X EXTRA DEPTH X PLUS		386		<b>TRIM OPTIONS</b> SEE PAGES 52-53 FOR FINISH AND TRIM OPTIONS	

# OTHER ISLAND STYLES

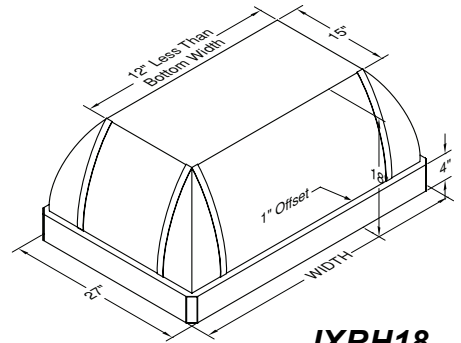
THESE MODELS HAVE BEEN REMOVED FROM OUR PRICING LITERATURE BUT THAT DOES NOT MEAN THAT THEY HAVE BEEN DISCONTINUED. PLEASE CONTACT THE FACTORY FOR PRICING DETAILS ON THESE HOODS.



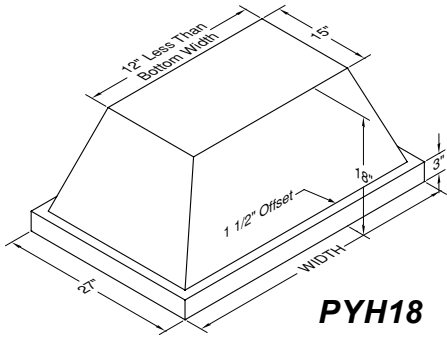
**ISFH18**



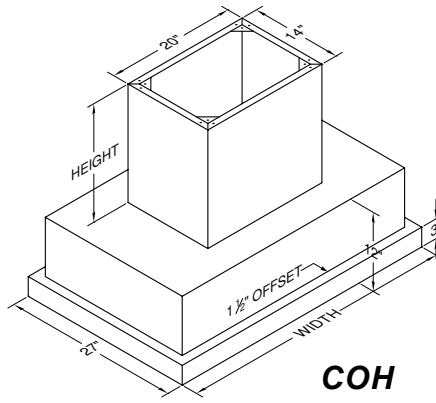
**ISLH18**



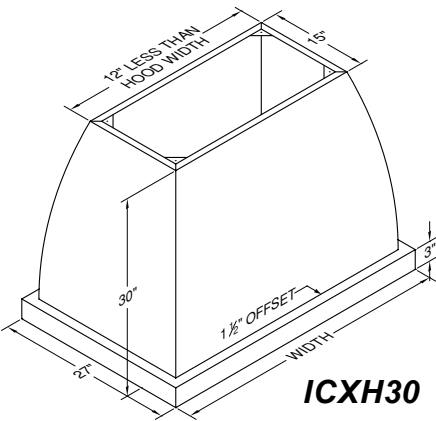
**IXRH18**



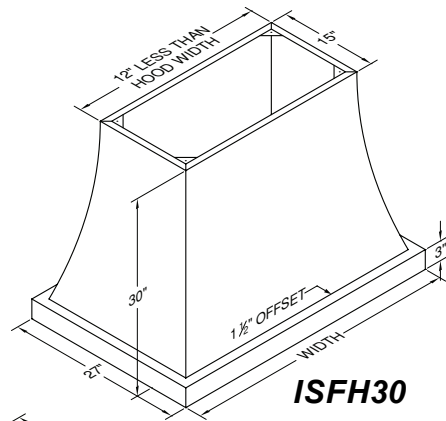
**PYH18**



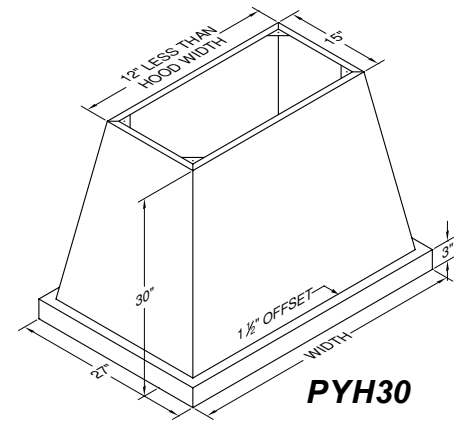
**COH**



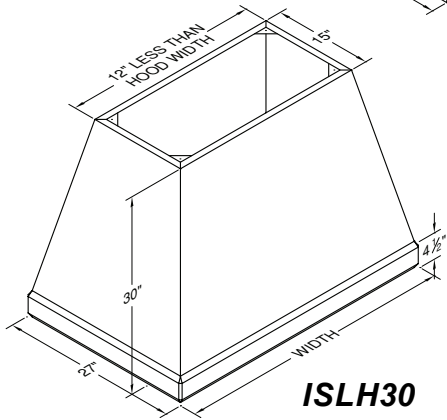
**ICXH30**



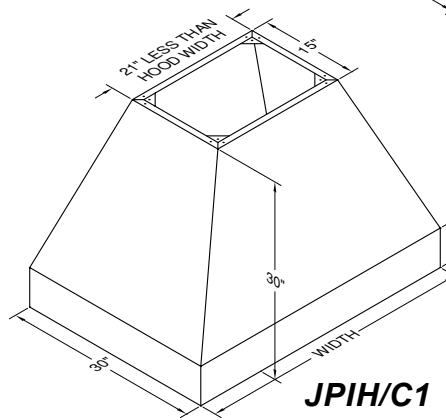
**ISFH30**



**PYH30**

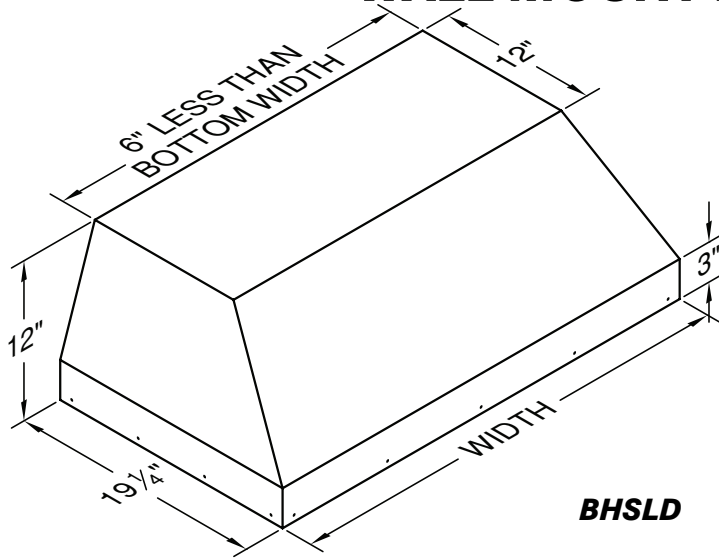


**ISLH30**



**JPIH/C1**

# WALL MOUNT LINER INSERTS

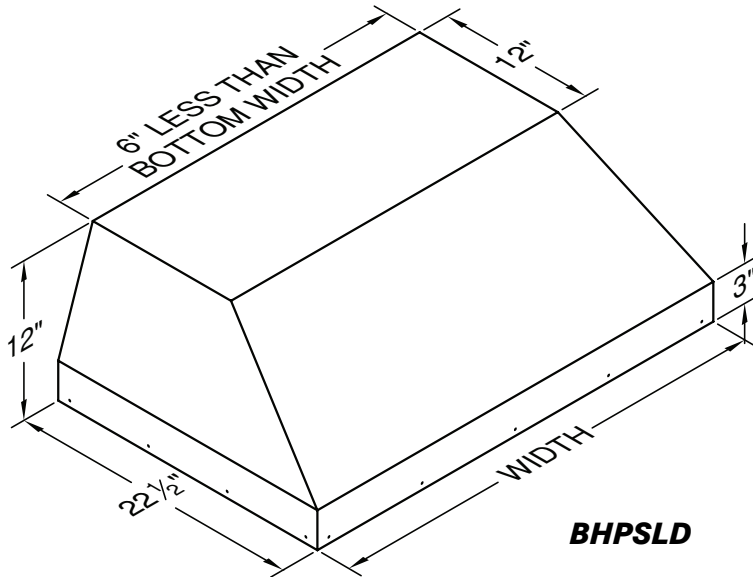


**BHS LD**

## BHS LD

Model No.	CFM	Width	Painted	Stainless
BH128SLD	300	28 3/8"	856	1,132
BH134SLD		34 3/8"	856	1,132
BH140SLD		40 3/8"	964	1,238
BH228SLD	600	28 3/8"	1,218	1,528
BH234SLD		34 3/8"	1,218	1,528
BH240SLD		40 3/8"	1,326	1,634
BH246SLD		46 3/8"	1,415	1,763
BH346SLD	900	46 3/8"	1,851	2,238

RECOMMENDED MOUNTING HEIGHT FROM COOKING SURFACE: 24 - 27"  
 TRANSITION NOT INCLUDED  
 TRIM KIT INCLUDED

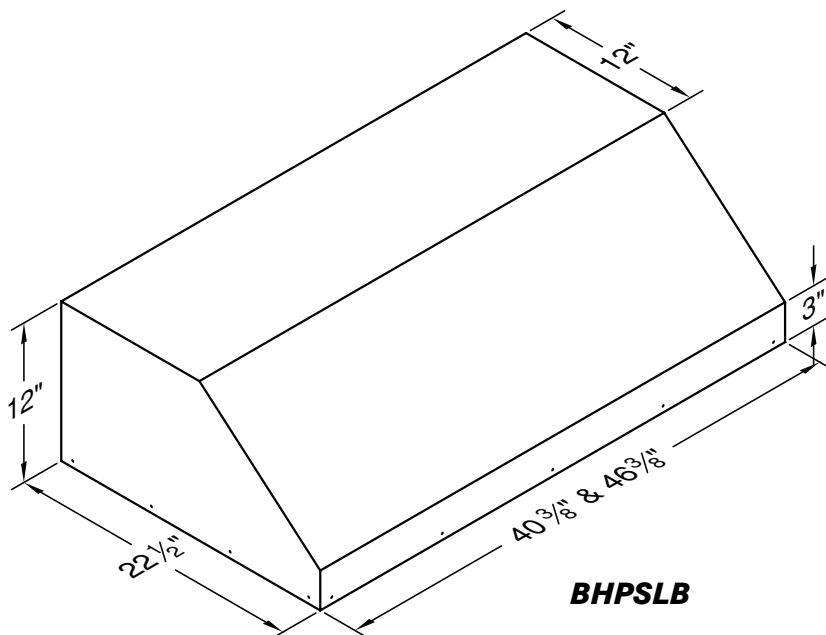


**BHPS LD**

## BHPS LD

Model No.	CFM	Width	Painted	Stainless
BH228PSLD	600	28 3/8"	1,254	1,544
BH234PSLD		34 3/8"	1,254	1,544
BH240PSLD		40 3/8"	1,353	1,655
BH246PSLD		46 3/8"	1,496	1,799
BH252PSLD	900	52 3/8"	1,755	2,234
BH346PSLD		46 3/8"	1,881	2,274
BH352PSLD		52 3/8"	2,141	2,710
BH358PSLD	1200	58 3/8"	2,517	3,175
BH452PSLD		52 3/8"	2,503	3,106
BH458PSLD		58 3/8"	2,879	3,572
BH464PSLD		64 3/8"	3,039	3,783

RECOMMENDED MOUNTING HEIGHT FROM COOKING SURFACE: 27 - 30"  
 TRANSITION NOT INCLUDED  
 TRIM KIT INCLUDED



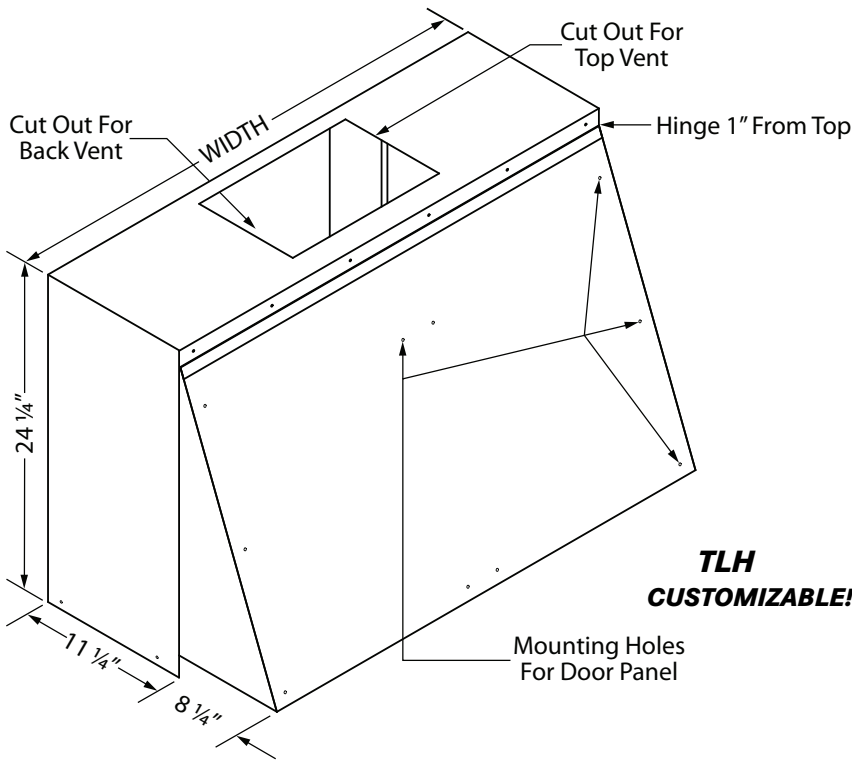
**BHPS LB**

## BHPS LB

Model No.	CFM	Width	Painted	Stainless
BH340PSLB	900	40 3/8"	1,877	2,269
BH446PSLB	1200	46 3/8"	2,308	2,780

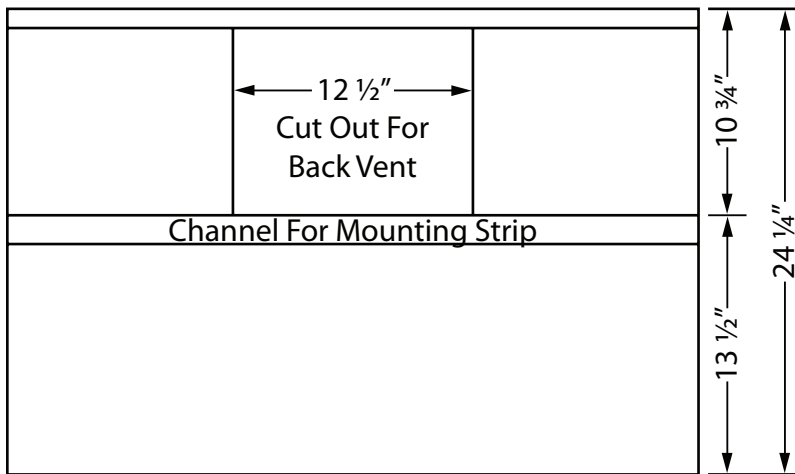
RECOMMENDED MOUNTING HEIGHT FROM COOKING SURFACE: 27 - 30"  
 TRANSITION NOT INCLUDED  
 TRIM KIT INCLUDED

# WALL MOUNT LINER INSERTS

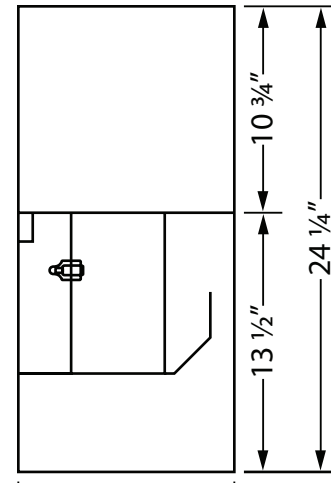


Model No.	CFM	TLH		
		Width	Painted	Stainless
TLH-130	300	30"	1,662	2,250
TLH-136		36"	1,700	2,275
TLH-142		42"	1,833	2,420
TLH-148		48"	1,906	2,508
TLH-230	600	30"	2,025	2,646
TLH-236		36"	2,063	2,672
TLH-242		42"	2,195	2,817
TLH-248		48"	2,269	2,905

**RECOMMENDED MOUNTING HEIGHT FROM COOKING SURFACE: 23 3/4"**



Back View of Hood

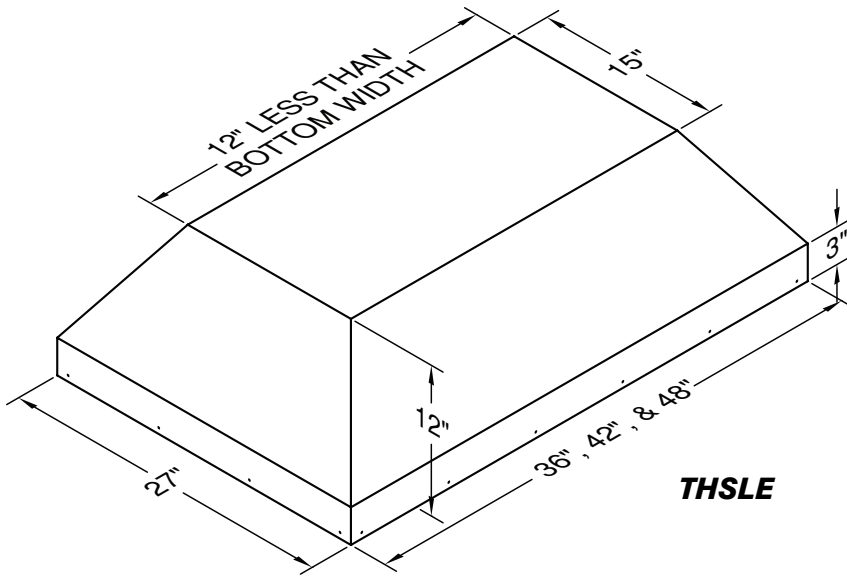


Side View

## TLH WALL MOUNT HOOD VARIATIONS

<b>SPECIAL WIDTH (LESS THAN 48")</b>		<b>CUSTOM TILT OUT</b>	
ADD	226	HEIGHT (36" MAX), WIDTH, DEPTH OR COMBO VARIATION	
<b>HINGE AT TOP</b>		ADD	461
ADD	226	<b>CUSTOM COLOR (SEE CUSTOM COLOR CHART)</b>	
		ADD	680

# ISLAND LINER INSERTS



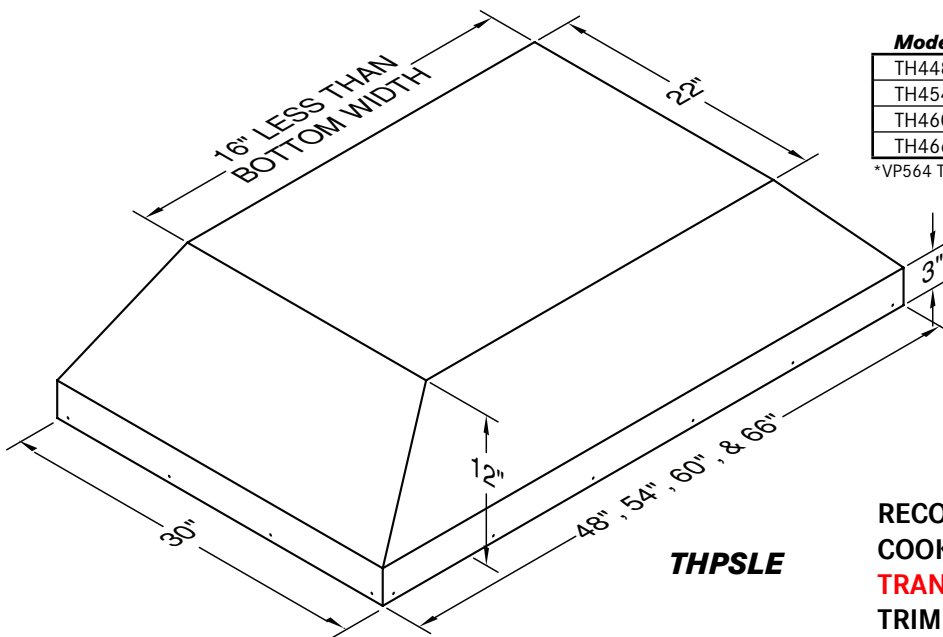
**THSLE**

## THSLE

Model No.	CFM	Width	Painted	Stainless
TH236SLE	550*	36"	2,140	2,668
TH242SLE		42"	2,189	2,744
TH248SLE		48"	2,237	2,794

\*VP565 TRANSITION TO 8" ROUND INCLUDED

RECOMMENDED MOUNTING HEIGHT FROM COOKING SURFACE: 30"  
**TRANSITION INCLUDED SEPARATELY**  
 TRIM KIT INCLUDED



**THPSLE**

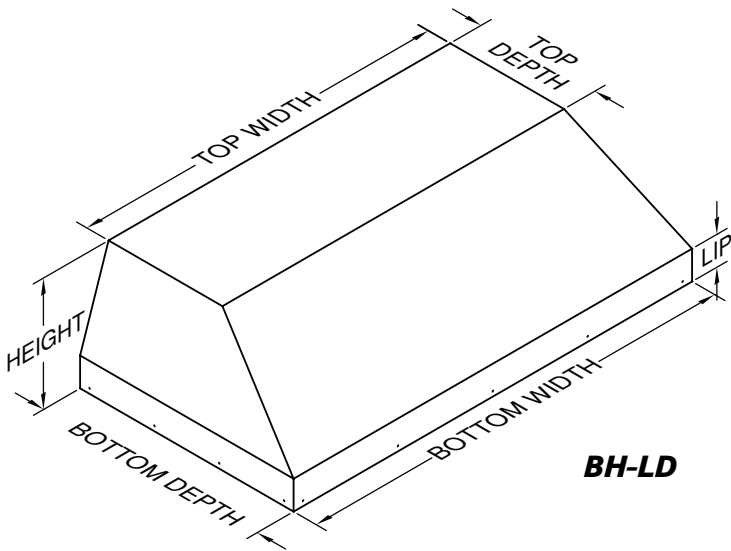
## THPSLE

Model No.	CFM	Width	Painted	Stainless
TH448PSLE	1100*	48"	3,535	4,818
TH454PSLE		54"	3,678	4,999
TH460PSLE		60"	3,759	5,171
TH466PSLE		66"	3,816	5,275

\*VP564 TRANSITION TO 12" ROUND INCLUDED

RECOMMENDED MOUNTING HEIGHT FROM COOKING SURFACE: 30"  
**TRANSITION INCLUDED SEPARATELY**  
 TRIM KIT INCLUDED

# CUSTOM WALL MOUNT LINER INSERTS



**BH-LD**

**MINIMUM TOP WIDTH FOR 300 SERIES IS 40-3/8".  
MINIMUM TOP WIDTH FOR 400 SERIES IS 46-3/8"**

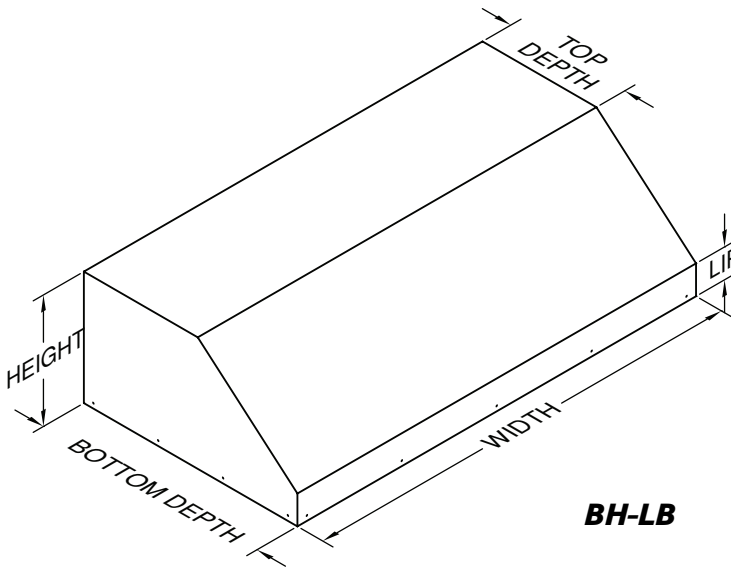
## BH-LD

Model No.	CFM	Width	Painted	Stainless
BH100LD-A	300	24"-36"	1,620	2,118
BH200LD-A	600	24"-36"	2,019	2,542
BH200LD-B		36"-48"	2,243	2,779
BH200LD-C		48"-54"	2,542	3,227
BH300LD-D	900	42"-54"	3,042	3,825
BH400LD-E	1200	48"-66"	3,714	4,623

2 LIGHTS FOR HOODS 24"<42", 3 LIGHTS FOR HOODS 42"<54", 4 LIGHTS FOR HOODS 54"≤66"

**TRIM KIT INCLUDED  
DIMENSIONS BELOW ARE AVAILABLE  
AT NO ADDITIONAL COST.**

<b>BOTTOM DEPTH:</b>	<b>16" - 24"</b>
<b>HEIGHT:</b>	<b>12"</b>
<b>TOP DEPTH:</b>	<b>12"</b>
<b>LIP:</b>	<b>3"</b>



**BH-LB**

## BH-LB

Model No.	CFM	Width	Painted	Stainless
BH100LB-A	300	24"-36"	1,246	1,744
BH200LB-A	600	24"-36"	1,646	2,156
BH200LB-B		36"-48"	1,870	2,405
BH200LB-C		48"-54"	2,168	2,841
BH300LB-D	900	42"-54"	2,668	3,438
BH400LB-E	1200	48"-66"	3,340	4,250

2 LIGHTS FOR HOODS 24"<42", 3 LIGHTS FOR HOODS 42"<54", 4 LIGHTS FOR HOODS 54"≤66"

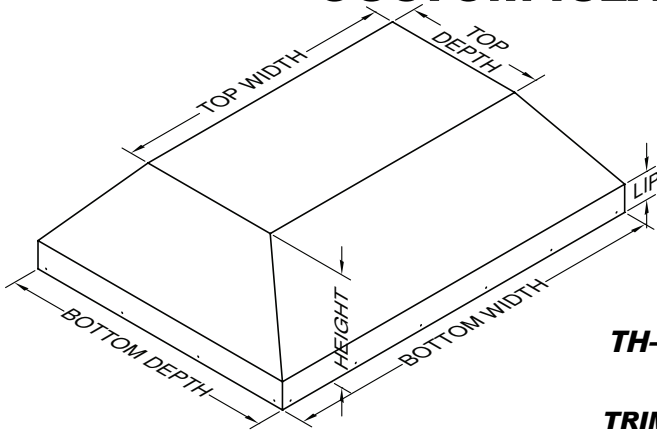
**TRIM KIT INCLUDED  
DIMENSIONS BELOW ARE AVAILABLE  
AT NO ADDITIONAL COST.**

<b>BOTTOM DEPTH:</b>	<b>16" - 24"</b>
<b>HEIGHT:</b>	<b>12"</b>
<b>TOP DEPTH:</b>	<b>12"</b>
<b>LIP:</b>	<b>3"</b>

## CUSTOM WALL MOUNT LINER INSERT VARIATIONS

<b>WIDTHS OVER 66"</b>			<b>LIP (OTHER THAN 3" STANDARD)</b>	
FOR EACH 6" INCREMENT PLUS	PAINTED 175	STAINLESS 250	ADD	386
<b>SPECIAL HEIGHT (OTHER THAN 12" STANDARD)</b> 9" MINIMUM, 18" MAXIMUM			<b>SPECIAL TOP DEPTH (12" MINIMUM)</b>	
ADD		386	ADD	386
<b>DEPTH OVER 24"</b>			<b>ADDITIONAL BLOWERS &amp; LIGHTS</b>	
WIDTH X EXTRA DEPTH X PLUS	PAINTED 1.11	STAINLESS 1.64	SEE PAGE 46 FOR BLOWER OPTIONS	
		386	<b>REMOTE BLOWER OPTIONS</b>	
			SEE PAGES 46-47 FOR REMOTE BLOWER OPTIONS	
			CUSTOM COLOR (SEE CUSTOM COLOR CHART)	
			ADD	680
			WARMING LAMPS AND SHELVES	
			SEE PAGES 49 FOR WARMING LAMP AND SHELF OPTIONS	

# CUSTOM ISLAND LINER INSERTS



## TH-LE

MODEL NO.	CFM •	Width	Painted	Stainless
TH200LE-A	550	24"-36"	2,867	3,665
TH200LE-B		36"-48"	3,042	3,889
TH200LE-C		48"-54"	3,278	4,200
TH2+200LE-E	1100	48"-66"	4,717	6,007

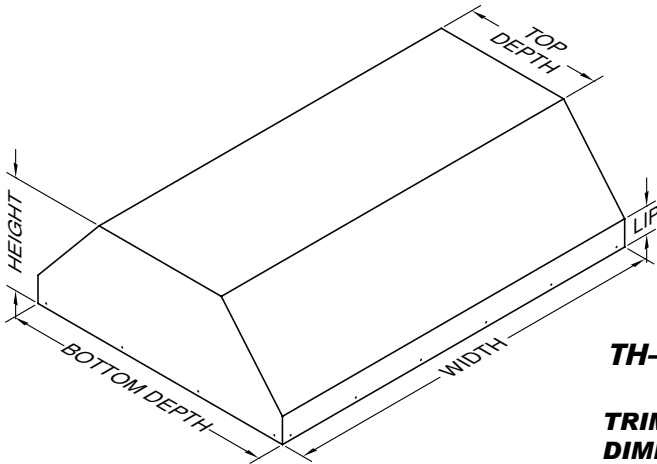
EACH DUAL BLOWER REQUIRES 24" MINIMUM TOP WIDTH.  
 •VP565 TRANSITION TO 8" ROUND INCL. WITH EACH DUAL BLOWER  
 4 LIGHTS FOR HOODS 48"<60", 8 LIGHTS FOR HOODS 60"≤66"  
 A CLUSTER BLOWER (1100 CFM) IS AVAILABLE ON MODELS WITH A  
 MINIMUM TOP SIZE OF 24" WIDE X 24" DEEP. CONTACT THE FACTORY FOR  
 ADDITIONAL DETAILS.

## TH-LE

### TRIM KIT INCLUDED

**DIMENSIONS BELOW ARE AVAILABLE AT NO ADDITIONAL COST.**

<b>BOTTOM DEPTH:</b>	<b>27"</b>
<b>HEIGHT:</b>	<b>12"</b>
<b>TOP WIDTH:</b>	<b>12" LESS THAN BOTTOM WIDTH</b>
<b>TOP DEPTH:</b>	<b>12" LESS THAN BOTTOM DEPTH</b>
<b>LIP:</b>	<b>3"</b>



## TH-LC

MODEL NO.	CFM •	Width	Painted	Stainless
TH200LC-A	550	24"-36"	2,867	3,665
TH200LC-B		36"-48"	3,042	3,889
TH200LC-C		48"-54"	3,278	4,200
TH2+200LC-E	1100	48"-66"	4,717	6,007

EACH DUAL BLOWER REQUIRES 24" MINIMUM TOP WIDTH.  
 •VP565 TRANSITION TO 8" ROUND INCL. WITH EACH DUAL BLOWER  
 4 LIGHTS FOR HOODS 48"<60", 8 LIGHTS FOR HOODS 60"≤66"  
 A CLUSTER BLOWER (1100 CFM) IS AVAILABLE ON MODELS WITH A  
 MINIMUM TOP SIZE OF 24" WIDE X 24" DEEP. CONTACT THE FACTORY FOR  
 ADDITIONAL DETAILS.

## TH-LC

### TRIM KIT INCLUDED

**DIMENSIONS BELOW ARE AVAILABLE AT NO ADDITIONAL COST.**

<b>BOTTOM DEPTH:</b>	<b>27"</b>
<b>HEIGHT:</b>	<b>12"</b>
<b>TOP DEPTH:</b>	<b>12" LESS THAN BOTTOM DEPTH</b>
<b>LIP:</b>	<b>3"</b>

## CUSTOM ISLAND LINER INSERT VARIATIONS

<b>WIDTHS OVER 66"</b>			<b>SPECIAL HEIGHT (OTHER THAN 12" STANDARD)</b>	
FOR EACH 6" INCREMENT PLUS	PAINTED 199	STAINLESS 262	9" MINIMUM, 18" MAXIMUM ADD	386
<b>DEPTH OVER 27"</b>			<b>SPECIAL TOP WIDTH OR DEPTH</b>	
WIDTH X EXTRA DEPTH X PLUS	PAINTED 1.24	STAINLESS 2.02	ADD	386
<b>LIP (OTHER THAN 3" STANDARD)</b>			<b>REMOTE BLOWER OPTIONS</b>	
ADD	386		SEE PAGES 46-47 FOR REMOTE BLOWER OPTIONS	
			<b>CUSTOM COLOR (SEE CUSTOM COLOR CHART)</b>	
			ADD	680

# BLOWER OPTIONS

You may need to add a blower to hoods to increase CFM, depending on the cooking equipment being used. To add a blower to a hood, you need to have enough top space inside of the hood to do so. A Single Blower requires 16" of space, a Dual Blower requires 24" of space, an Island Dual Blower requires 12" D x 23 1/2" W, and an Island Cluster Blower requires 24" D x 24" W.

## ADDING BLOWERS

Model	Volts	Amps	Hz	RPM	*CFM	**Equiv CFM	Painted	Stainless Steel
Single Blower	120	1.5	60	1550	300	450	385	476
Dual Blower	120	2.9	60	1550	600	900	748	872
Island Dual Blower	120	2.9	60	1550	550	900	770	986
Island Cluster Blower	120	5.8	60	1550	1100	1800	1,541	1,971
RM1000	120	3.2	60	1100	945	N/A	1,128	
RM1500	120	5.0	60	1130	1500	N/A	1,417	

SensaSource® - Our patented speed control system that allows the blower to be turned to half speed for light cooking but automatically returns to high speed when heat rise is detected. This feature is standard on all Magic Lung® and K Series models with halogen lighting.

### SensaSource®

Convert two-speed blower to auto-on SensaSource® control (one for each single or dual blower) 100 ea.

- \* CFM rating is based on 0.0" static pressure (resistance in the ducting turns, roof caps, etc.) CFM rating will change as static pressure is increased. Static pressure increases due to ducting and length of duct run.
- \*\* Equivalent CFM refers to the fact that the Magic Lung® uses centrifugal filtration units, while others use conventional filters. Apply this guideline when comparing blower units made by other manufacturers.

There are certain customers who will want a remote blower range hood despite the benefits of the Magic Lung blower system. The following steps will help you when pricing remote blower hoods.

1. Specify how many and which filters you will be using. B20 SS filters are for wall mount or under cabinet installations and T20 SS filters are for island installations. We recommend one B20 SS or T20 SS for each 22" of hood top width.
2. Specify the size and number of remote blowers you will need. The RM1000 is equivalent to a B200 or T200 blower. The RM1500 is 50% larger.
3. For each remote blower, you will need to add an accessory kit. The accessory kit includes a variable speed blower controller, LED lights, back draft dampers, and a 10" duct collar.

## DEDUCTING BLOWERS FOR REMOTE BLOWER MODELS

<b>BLOWER PRICING BELOW IS FOR USE IN CALCULATING DEDUCTIONS FOR REMOTE BLOWERS ONLY.</b>		
<b>MODEL</b>	<b>PAINTED</b>	<b>STAINLESS</b>
B100 (SINGLE BLOWER)	385	476
B200 (DUAL BLOWER)	748	872
T200 (ISLAND DUAL BLOWER)	770	986
T400 (ISLAND CLUSTER BLOWER)	1,541	1,971
SPECIAL COLLAR	226	

# REMOTE BLOWERS

## HOOD SELECTION/PRICING WITH REMOTE BLOWERS

1. CHOOSE THE BASE MODEL HOOD THAT IS TO BE EQUIPPED WITH A REMOTE BLOWER.
2. DEDUCT THE PRICE OF THE INTERNAL BLOWER(S) FROM THE HOOD (SEE PREVIOUS PAGE).
3. ADD THE APPROPRIATE ACCESSORY KIT (SEE RIGHT).
4. ADD THE APPROPRIATE FILTERS (SEE BELOW).
5. ADD THE APPROPRIATE REMOTE BLOWER UNIT(S) (SEE BELOW).

## LIGHT KITS

INCLUDES LED LIGHTS, TWO-STAGE LIGHT SWITCH, SOLID STATE MOTOR CONTROL SWITCH (VARIABLE SPEED) AND 10" DAMPER ASSEMBLY INSTALLED IN HOOD.

ACC.KIT-W-H2 (2 LED LIGHTS/WALL MT)	487
ACC.KIT-W-H3 (3 LED LIGHTS/WALL MT)	617
ACC.KIT-W-H4 (4 LED LIGHTS/WALL MT)	748
ACC.KIT-I-H4 (4 LED LIGHTS/ISLAND)	1,014
ACC.KIT-I-H8 (8 LED LIGHTS/ISLAND)	1,524

## ACCESSORY KIT PARTS

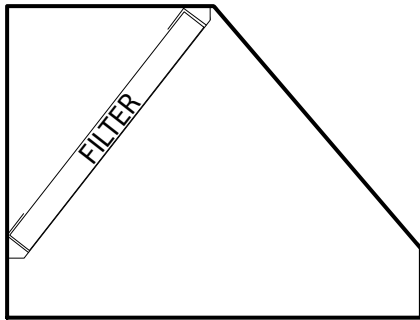
SOLID STATE (VARIABLE SPEED) MOTOR  
CONTROL WALL SWITCH (P1500W) 85

## ACCESSORY KIT PARTS

WHEN ORDERED WITH HOOD

TO ADD MOTOR CONTROL WALL SWITCH ASSEMBLY  
ADD (P1500R) 21

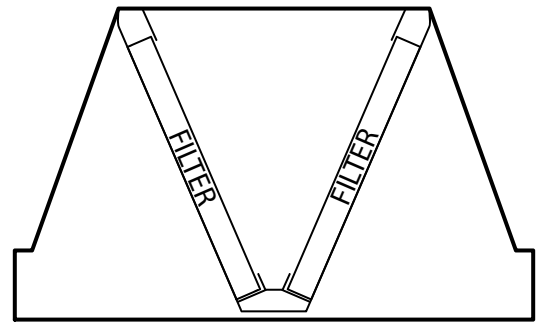
## WALL MOUNT BAFFLE FILTER



WALL MOUNT SIDE VIEW

B20 SS (PER FILTER) 374  
(SPECIFY ONE B20 SS FOR EACH 22" OF HOOD TOP WIDTH)

## ISLAND BAFFLE FILTER

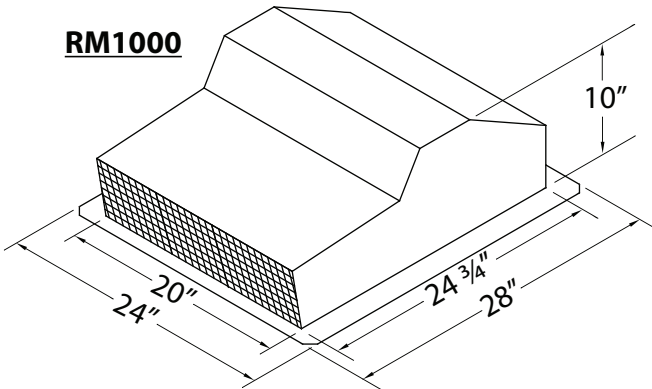


ISLAND SIDE VIEW

T20 SS (PER PAIR OF FILTERS) 748  
(SPECIFY ONE PAIR OF T20 SS FOR EACH 22" OF HOOD TOP WIDTH)

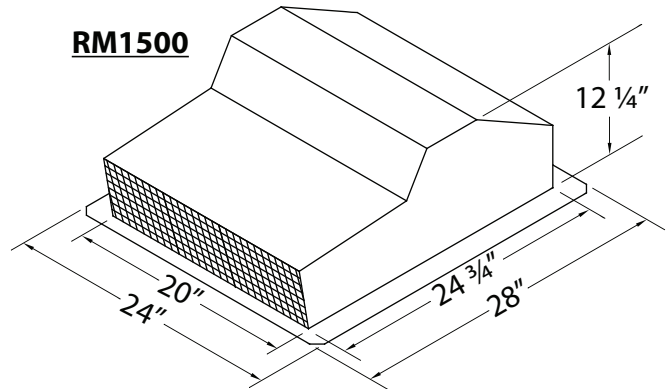
## REMOTE BLOWERS

### RM1000



RM1000 REMOTE BLOWER 1,128

### RM1500

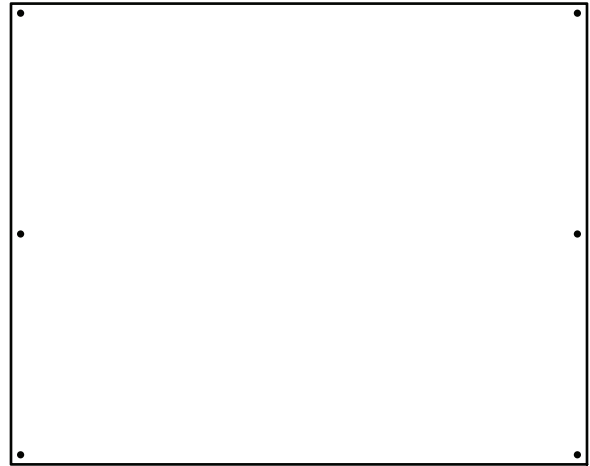


RM1500 REMOTE BLOWER 1,417

# SPLASH PANELS

## STANDARD SPLASH PANELS

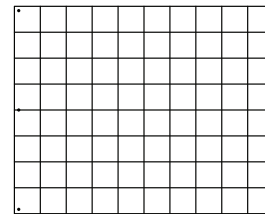
<b>Panel Size</b>	<b>Painted</b>	<b>Stainless</b>	<b>Overlay</b>
30" W x 24" T	57	94	225
36" W x 24" T	69	112	269
42" W x 24" T	81	131	311
48" W x 24" T	87	150	361
30" W x 30" T	69	119	281
36" W x 30" T	81	144	337
42" W x 30" T	100	162	393
48" W x 30" T	112	187	449
SPECIAL SIZES (SPECIFY IF HEMS/HOLES REQUIRED)			
PER SQ INCH	0.12	0.20	0.29



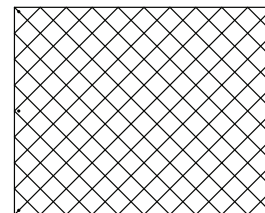
HEMS AND HOLES ARE INCLUDED ON STANDARD SIZES, PRICE AS A CUSTOM PANEL IF HEMS AND/OR HOLES ARE NOT REQUIRED.

## OVERLAY & PATTERNED SPLASH PANELS

<b>Panel Size</b>	<b>Painted</b>	<b>Stainless</b>	<b>Overlay</b>
30" W x 24" T Pat.	157	194	325
36" W x 24" T Pat.	169	212	369
42" W x 24" T Pat.	181	231	411
48" W x 24" T Pat.	187	250	461
30" W x 30" T Pat.	169	219	381
36" W x 30" T Pat.	181	244	437
42" W x 30" T Pat.	200	262	493
48" W x 30" T Pat.	212	287	549
SPECIAL SIZES (SPECIFY IF HEMS/HOLES REQUIRED)			
PER SQ INCH	0.12	0.20	0.29
PLUS		100	



**CHECKERBOARD**



**DIAMOND**

HEMS AND HOLES ARE INCLUDED ON STANDARD SIZES, PRICE AS A CUSTOM PANEL IF HEMS AND/OR HOLES ARE NOT REQUIRED.

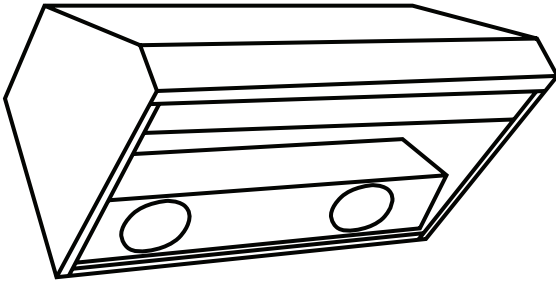
## OTHER SPLASH PANEL OPTIONS

### **Ordering Notes and Options:**

PAINTED SPLASH PANELS MUST HAVE AT LEAST ONE HOLE IN THEM TO ALLOW FOR PAINTING.	
FOR CUT-OUTS OR SPECIAL BREAKS, ADD	26
CRATING CHARGE FOR PANELS TOO LARGE TO PACKAGE WITH HOOD, ADD	44
MINIMUM CHARGE ON SMALL PANELS	26

# WARMING LAMPS & SHELVES

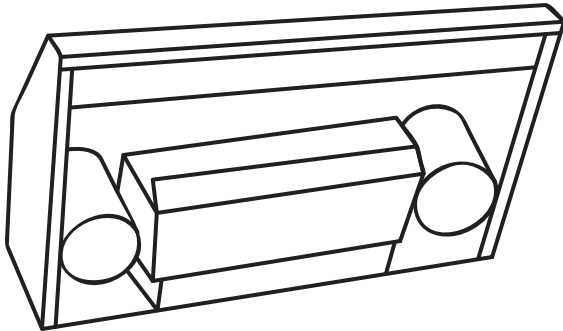
## WARMING BAR



FOR USE IN HOODS 18" OR TALLER.  
NOT AVAILABLE ON HOODS WITH DECKS BELOW 18".  
BULBS NOT INCLUDED.

<i>Model No.</i>	<i>Price</i>
WBAR INCLUDES 2 LIGHTS	386
FOR ADDITIONAL LIGHTS, ADD	386
PLUS, PER LIGHT	231

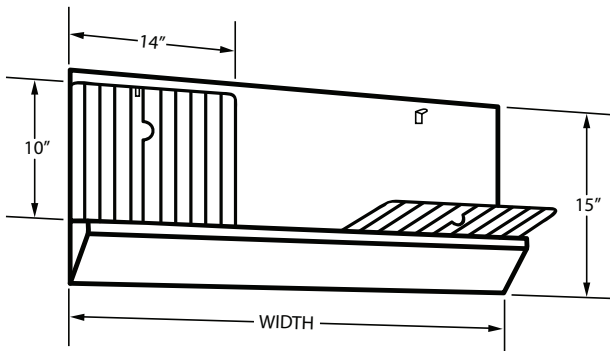
## WARMING LAMP HOUSING



FOR USE IN HOODS UNDER 18" TALL.  
8" TOP DIMENSION REQUIRED PER FIXTURE.  
BULBS NOT INCLUDED.

<i>Model No.</i>	<i>Price Per Light</i>
WL-1	231

## WARMING SHELF



TWO FOLD DOWN SHELVES ON A BACKSPLASH.  
MOUNTED ON A 3 1/2" DEEP LEDGE.  
EACH SHELF IS 10" DEEP x 14" WIDE.  
STAINLESS BACKSPLASH IS 15" TALL.

<i>Model No.</i>	<i>Width</i>	<i>Price</i>
WS030	30"	461
WS036	36"	505
WS042	42"	542
WS048	48"	593
WS054	54"	630
WS060	60"	673
WS066	66"	711
WS072	72"	760

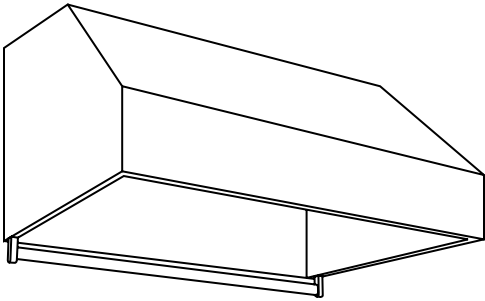
<i>Model No.</i>	<i>Description</i>	<i>Price</i>
P1415	Additional Shelf	231

<i>WS0 With Non-Standard Width</i>	<i>Price</i>
USE NEXT LARGEST SIZE ON PRICE LIST PLUS	231

# ACCESSORY RAIL

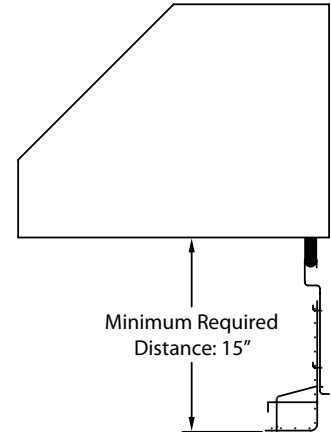
## MODEL WR0

WR0 kit installed on hood includes mounting hardware, accessory rail, two hanger brackets, and two warming shelves with spice racks.



Model No.	Width	Price
WR030	30"	448
WR036	36"	453
WR042	42"	453
WR048	48"	470
WR054	54"	470
WR060	60"	470
WR066	66"	550
WR072	72"	567
UP TO 120"		567

SPECIAL WIDTH: USE NEXT LARGEST SIZE.



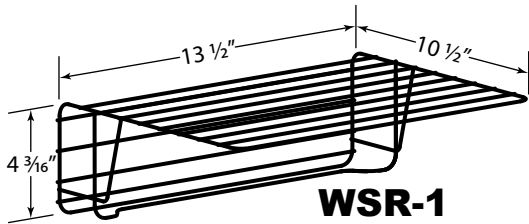
## MODEL WR0L

For use with liner inserts. Specify exact width between cabinets. Use next largest size price for WR0 listed to the right. Kit includes mounting end caps, accessory rail, two hanger brackets, and two warming shelves with spice racks.

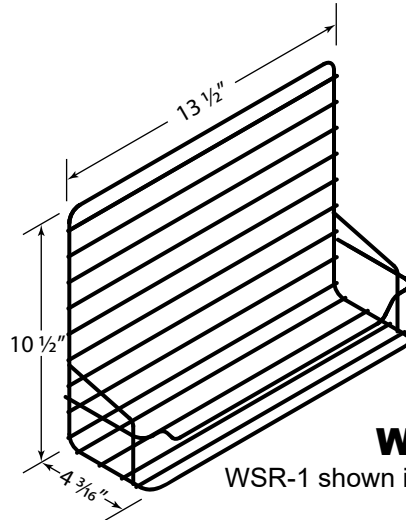
Hood must be at least 30" wide to allow sufficient space for two hanging brackets.

The minimum for hoods with the SL lip is 32" due to the decorative features of the SL lip.

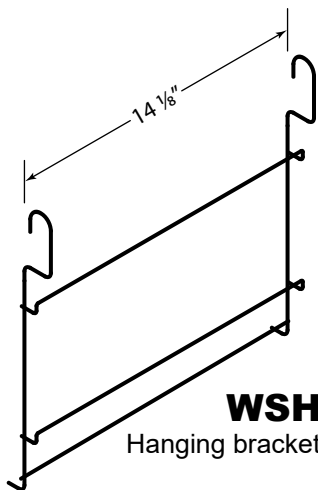
## ADDITIONAL SHELVES/SPICE RACKS



WSR-1 shown in warming shelf position.



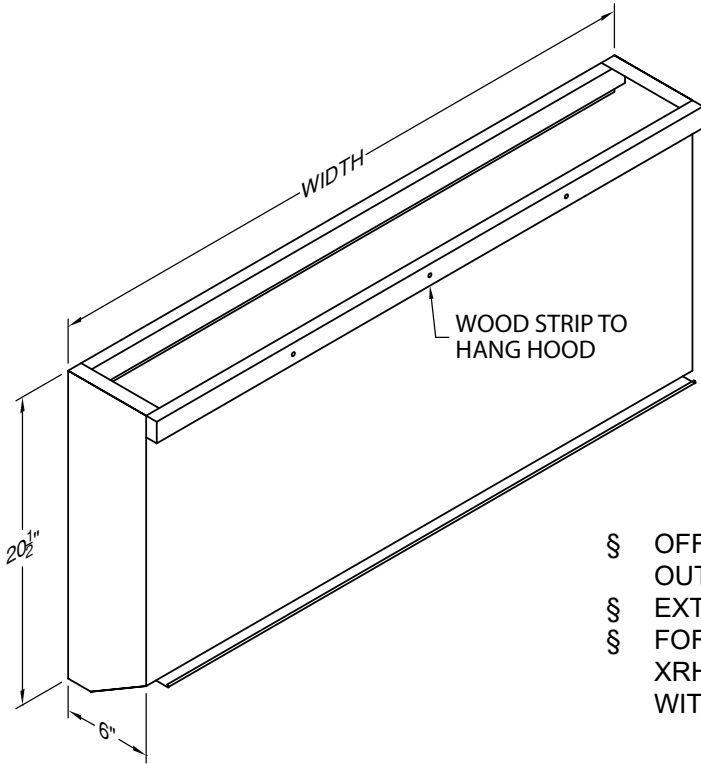
WSR-1 shown in spice rack position.



WSH-1  
Hanging bracket for WSR-1.

Model No.	Description	Price
WSR-1	Warming Shelf/Rack	102
WSH-1	Hanging Bracket	57
WR0-EC	End Cap (2 Req.)	26

# BBQ EXTENSION



Model No.	Width	Painted	Stainless
BBE30	30"	424	593
BBE36	36"	443	692
BBE42	42"	455	760
BBE48	48"	474	810
BBE54	54"	493	872
BBE60	60"	512	930

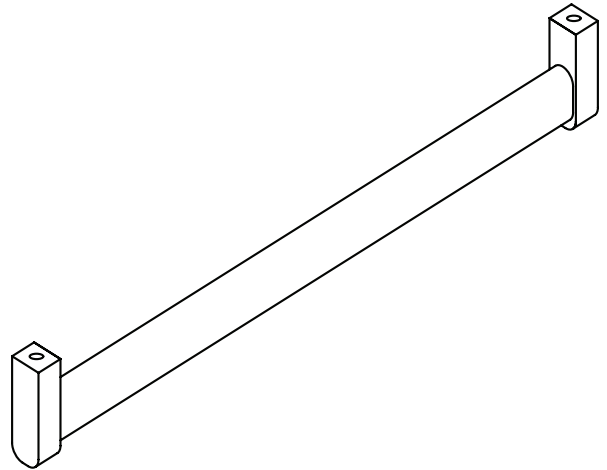
## PRODUCT FEATURES

- § OFFERS MAXIMUM CANOPY EXPOSURE OVER OUTDOOR GRILL APPLICATIONS
- § EXTENDS PROJECTION TO 30" OR 33" DEEP
- § FOR USE WITH PRH18, PRXH18, NPH18, NPXH18, XRH18, OR XRXH18 MODELS WHEN NOT EQUIPPED WITH A WARMING BAR.

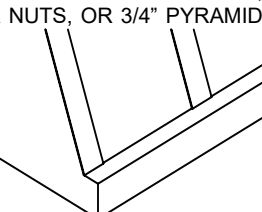
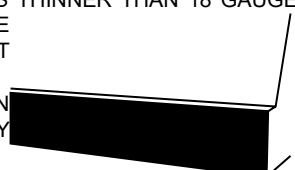
## WR ACCESSORY RAIL

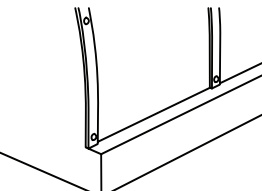
FOR USE WITH BBQ EXTENSION KIT.  
AVAILABLE IN SS FINISH ONLY.

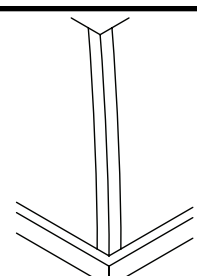
Model No.	Price
WR-30	119
WR-36	131
WR-42	131
WR-48	138
WR-54	138
WR-60	138

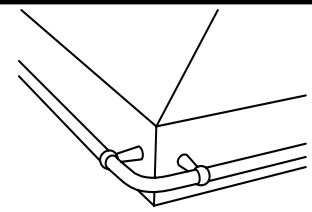


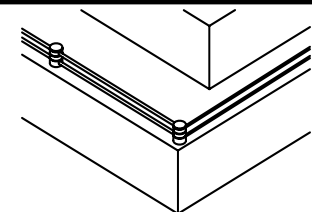
# BANDS, FINISHES, & POT RAILS

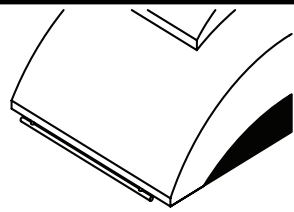
VERTICAL BANDS	LIP TREATMENT (L/T)
<p style="text-align: right;"><b>18 GAUGE*</b></p> <p>1/2" WIDE: EACH BAND (UP TO 30") 171                      1" WIDE: EACH BAND (UP TO 30") 171                      2" WIDE: EACH BAND (UP TO 30") 171                      TALLER THAN 30",                      PER INCH PER BAND, ADD 5.67</p> <p>* 18 GAUGE VERTICAL BANDS ARE ATTACHED WITH LAMINATE. 18 GAUGE VERTICAL BANDS CAN BE ATTACHED WITH 1/4" RIVETS, 1/2" RIVETS, 3/8" HEX NUTS, 1/2" HEX NUTS, OR 3/4" PYRAMID CLAVOS BY REQUEST. HAMMERED COPPER MATERIAL IS THINNER THAN 18 GAUGE MATERIAL. ATTACHMENTS ARE REQUIRED FOR HAMMERED COPPER BANDS AND FOR BANDS ON HAMMERED COPPER HOODS.</p> 	<p>18 GAUGE, PER INCH, ADD 5.67*                      1/8" THICK x 1" TALL SOLID BRASS, SOLID COPPER,                      OR BRUSHED SS PER INCH, ADD 6.24**                      1/4" THICK x 1" TALL SOLID BRASS, SOLID COPPER,                      OR BRUSHED SS PER INCH, ADD 6.80**</p> <p>* 18 GAUGE L/T IS ATTACHED WITH LAMINATE. 18 GAUGE L/T CAN BE ATTACHED WITH 1/4" RIVETS, 1/2" RIVETS, 3/8" HEX NUTS, 1/2" HEX NUTS, OR 3/4" PYRAMID CLAVOS BY REQUEST. HAMMERED COPPER MATERIAL IS THINNER THAN 18 GAUGE MATERIAL. ATTACHMENTS ARE REQUIRED FOR LIP TREATMENT ON HAMMERED COPPER HOODS.                      ** ATTACHED WITH 1/2" RIVETS. CAN BE ATTACHED WITH LAMINATE BY REQUEST.</p> 

HEAVY VERTICAL BANDS
<p>SOLID BRASS, SOLID COPPER, OR BRUSHED SS</p> <p>1/8" THICK x 1" WIDE, EACH (UP TO 30") 187                      TALLER THAN 30"                      PER INCH PER BAND, ADD 6.24                      1/4" THICK x 1" WIDE, EACH (UP TO 30") 204                      TALLER THAN 30",                      PER INCH PER BAND, ADD 6.80</p> <p>1/8" THICK AND 1/4" THICK HEAVY VERTICAL BANDS ARE ATTACHED WITH 1/2" RIVETS. CAN BE ATTACHED WITH LAMINATE BY REQUEST.</p> 

CORNER BANDS
<p><b>CORNER BANDS FOR STRAIGHT EDGES*</b></p> <p>1" x 1", EACH (UP TO 30") 340                      2" x 2", EACH (UP TO 30") 340                      TALLER THAN 30",                      PER INCH PER BAND, ADD 11.33</p> <p><b>CORNER BANDS FOR CONVEX/CONCAVE EDGES*</b></p> <p>1" x 1", EACH (UP TO 30") 680                      2" x 2", EACH (UP TO 30") 680                      TALLER THAN 30",                      PER INCH PER BAND, ADD 22.66</p> <p>* ATTACHED WITH LAMINATE. CAN BE ATTACHED WITH 1/4" RIVETS, 1/2" RIVETS, 3/8" HEX NUTS, 1/2" HEX NUTS, OR 3/4" PYRAMID CLAVOS BY REQUEST.                      +1" x 1" ATTACHED WITH 1/4" RIVETS. 2" x 2" ATTACHED WITH 1/2" RIVETS. CAN BE ATTACHED WITH 3/8" HEX NUTS, 1/2" HEX NUTS, OR 3/4" PYRAMID CLAVOS BY REQUEST.                      AVAILABLE IN PAINTED FINISHES OR STAINLESS STEEL ONLY.                      ALL CORNER BANDS ARE 18 GAUGE.</p> 

POT RAIL

<b>TUBULAR (5/8" DIAMETER)</b>
<p>BRASS, CHROME, OR COPPER:                      PER INCH* 9.06                      ADDITIONAL HOOKS AVAILABLE IN SS,                      COPPER, OR BRASS                      P011: EACH 9.06</p> <p>* For pot rail that is less than the overall width or depth of the hood, charge for full width or depth. Examples- A 24" deep hood with 3" of pot rail on a side is priced as 24" of pot rail. A 48" wide hood with 36" of pot rail on the front is priced as 48" of pot rail.</p>

GALLEY RAIL

<b>GALLEY RAIL</b>
<p>STAINLESS STEEL:                      PER INCH 6.80</p>

FIXED RAIL								
								
<b>FIXED LENGTH SS RAIL (EACH)</b>								
<table style="width: 100%; border-collapse: collapse;"> <tr> <td style="width: 80%;">PR21 SS (19.53")</td> <td style="text-align: right;">113</td> </tr> <tr> <td>PR24 SS (22.05")</td> <td style="text-align: right;">130</td> </tr> <tr> <td>PR27 SS (24.57")</td> <td style="text-align: right;">142</td> </tr> <tr> <td>PR30 SS (28.35")</td> <td style="text-align: right;">171</td> </tr> </table>	PR21 SS (19.53")	113	PR24 SS (22.05")	130	PR27 SS (24.57")	142	PR30 SS (28.35")	171
PR21 SS (19.53")	113							
PR24 SS (22.05")	130							
PR27 SS (24.57")	142							
PR30 SS (28.35")	171							

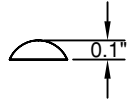
COLORS	STANDARD	SPECIAL	CUSTOM	ANTIQUÉ, SATIN, BRUSHED	ANTIQUÉ, BRUSHED, SATIN TRIM
	Biscuit (BT) Black Satin (BL) Gunsmoke (GS) White (WH)	Black Carbide (BC) Black River (BR) Copper Vein (CV) Oil Rubbed Bronze (ORB) Pewter (PTR) Rust (RT) Rust Vein (RV) Silver Vein (SV) Slate (SL)	RAL Paint Colors A custom color chart is available for custom colors.	Can be applied to: Brass/Copper Overlays  ARTISAN Can be applied to: Stainless Steel  Charge for <i>each</i> hood or duct cover.	Brass Bands & L/T Copper Bands & L/T  ARTISAN TRIM SS Bands & L/T  Charge once for all trim on a hood and duct cover assembly.
Color Charges: ADD	NO CHARGE	255	680	850	255

# BAND & LIP TREATMENT ATTACHMENTS

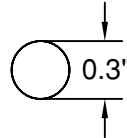
## 1/4" RIVETS



**3D View**



**Side View**



**Top View**

1/4" RIVETS ARE STANDARD ON 1" x 1" CONVEX/ CONCAVE CORNER BANDS.

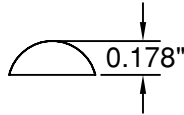
1/4" RIVETS ARE OPTIONAL ON 18 GA. LIP TREATMENT, 18 GA. VERTICAL BANDS, AND STRAIGHT CORNER BANDS. ADDITIONAL CHARGES MAY APPLY.

1/4" RIVETS ARE AVAILABLE IN ALL BAND FINISHES (PAINTED TO MATCH).

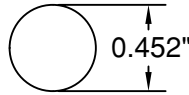
## 1/2" RIVETS



**3D View**



**Side View**



**Top View**

1/2" RIVETS ARE STANDARD ON 2" x 2" CONVEX/ CONCAVE CORNER BANDS AND ON HEAVY VERTICAL BANDS AND LIP TREATMENT.

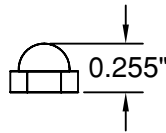
1/2" RIVETS ARE OPTIONAL ON 18 GA. LIP TREATMENT, 18 GA. VERTICAL BANDS, AND STRAIGHT CORNER BANDS. ADDITIONAL CHARGES MAY APPLY.

1/2" RIVETS ARE AVAILABLE IN ALL BAND FINISHES (PAINTED TO MATCH).

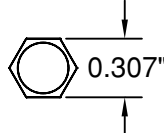
## 3/8" HEX NUTS



**3D View**



**Side View**

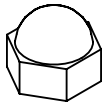


**Top View**

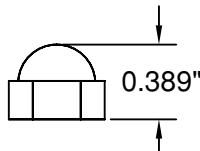
3/8" HEX NUTS ARE OPTIONAL ON 18 GA. LIP TREATMENT, 18 GA. VERTICAL BANDS, AND CORNER BANDS. ADDITIONAL CHARGES MAY APPLY.

3/8" HEX NUTS ARE AVAILABLE IN ALL BAND FINISHES (BRASS, STAINLESS STEEL, OR PAINTED TO MATCH).

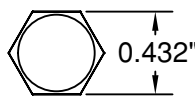
## 1/2" HEX NUTS



**3D View**



**Side View**

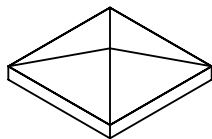


**Top View**

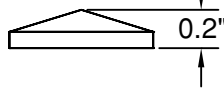
1/2" HEX NUTS ARE OPTIONAL ON 18 GA. LIP TREATMENT, 18 GA. VERTICAL BANDS, AND CORNER BANDS. ADDITIONAL CHARGES MAY APPLY.

1/2" HEX NUTS ARE AVAILABLE IN ALL BAND FINISHES (BRASS, STAINLESS STEEL, OR PAINTED TO MATCH).

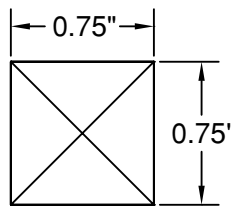
## 3/4" PYRAMID CLAVOS



**3D View**



**Side View**



**Top View**

3/4" PYRAMID CLAVOS ARE OPTIONAL ON 18 GA. LIP TREATMENT, 18 GA. VERTICAL BANDS, AND CORNER BANDS. ADDITIONAL CHARGES MAY APPLY.

3/4" PYRAMID CLAVOS ARE AVAILABLE IN COPPER AND STAINLESS STEEL FINISHES.

3/4" PYRAMID CLAVOS CAN BE ROTATED 45 DEGREES FOR A MORE DECORATIVE APPEARANCE. NOTE: 3/4" PYRAMID CLAVOS ARE OVER 1" WIDE WHEN TURNED TO A 45 DEGREE "DIAMOND" ANGLE.

NOTE: SECTION TITLES ARE ROUNDED FOR CONVENIENCE PURPOSES AND DO NOT REPRESENT EXACT SIZES.

### STANDARD BAND & LIP TREATMENT ATTACHMENT METHODS

BAND/LIP TREATMENT	STANDARD ATTACHMENT	ADDITIONAL ATTACHMENT OPTIONS
18 Ga. Vertical Band/Lip Treatment	Laminate	1/4" Rivets, 1/2" Rivets, 3/8" Hex Nuts, 1/2" Hex Nuts, and 3/4" Pyramid Clavos
1/8" x 1" Vertical Band/Lip Treatment	1/2" Rivets	Laminate
1/4" x 1" Vertical Band/Lip Treatment	1/2" Rivets	Laminate
Straight Corner Band	Laminate	1/4" Rivets, 1/2" Rivets, 3/8" Hex Nuts, 1/2" Hex Nuts, and 3/4" Pyramid Clavos
Convex or Concave Corner Band	1" x 1" - 1/4" Rivets, 2" x 2" - 1/2" Rivets	1/2" Rivets, 3/8" Hex Nuts, 1/2" Hex Nuts, and 3/4" Pyramid Clavos

Decorative attachments will be placed by the factory for best appearance. To specify locations, add per inch

5.67

*Vent-A-Hood*®

# POWER LUNG RANGE HOODS



**POWER LUNG™ BRINGS  
LUXURY & SUPERIOR  
PERFORMANCE TO THE  
VALUE RANGE HOOD CATEGORY**

VENT-A-HOOD'S POWER LUNG™ PRODUCTS IN THE V-LINE SERIES ARE ENGINEERED AS EFFICIENT, QUIET VENTILATORS.

THE EXCLUSIVE POWER LUNG™ BLOWER AND CENTRIFUGAL FILTER CHAMBER ARE BUILT TOGETHER AND WORK AS ONE IN A SINGLE HOUSING. ENGINEERED TO PROVIDE SUPERIOR PERFORMANCE, THE POWER LUNG™ AND FILTER ELIMINATE GREASE THAT OTHER MANUFACTURERS' BAFFLE AND MESH SCREENS DO NOT.

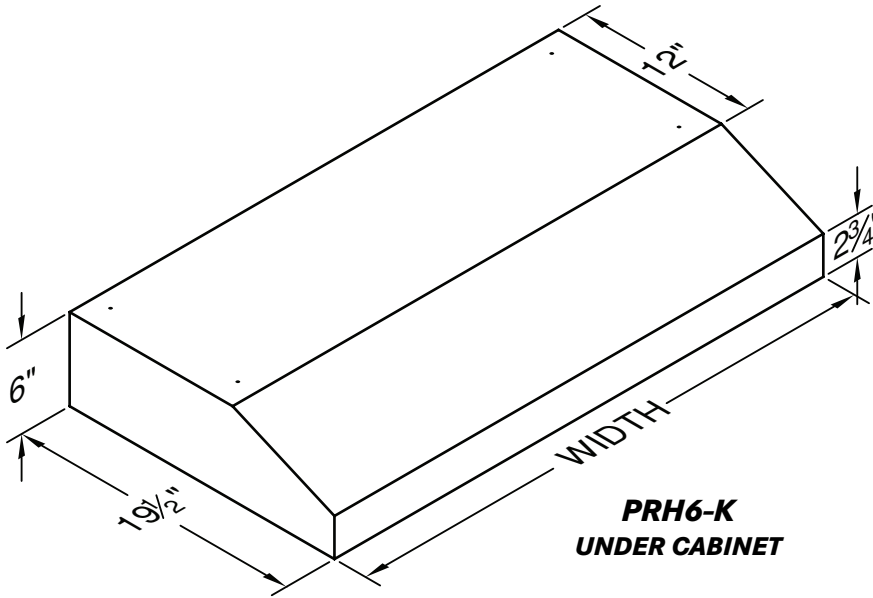
## DESIGN INNOVATION & PATENTED ENGINEERING

VENT-A-HOOD STEPS FORWARD, SETTING A NEW STANDARD IN VALUE COOKING VENTILATION. FEATURES INCLUDE:

- EXCLUSIVE POWER LUNG™ SYSTEM (PATENTED)
- SENSASOURCE HEAT DETECTION (PATENTED)
- ACTIVE CANOPY ENGINEERING
- EZ CLEAN GREASE COLLECTION
- TOP OR BACK VENT INSTALLATION
- HALOGEN LIGHTING (STANDARD)
- LED LIGHTING IS AVAILABLE (INTERCHANGEABLE BULBS)
- UNDER-CABINET DESIGNS
- WALL MOUNT DESIGNS
- INSERT HOOD LINERS

**V-LINE'S POWER LUNG™ DELIVERS WHAT  
MATTERS MOST IN COOKING VENTILATION**

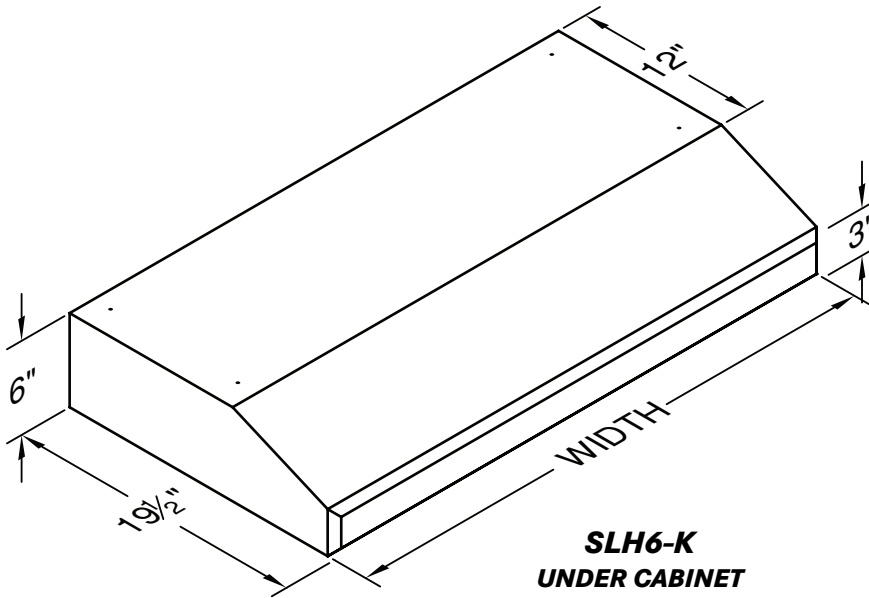
# V-LINE UNDER CABINET & LINER INSERT



**PRH6-K**  
UNDER CABINET

<b>PRH6-K</b>				
Model No.	CFM	Width	Painted	Stainless
PRH6-K24	250	24"	565	679
PRH6-K30		30"	565	679
PRH6-K36		36"	565	679
PRH6-K42		42"	663	821

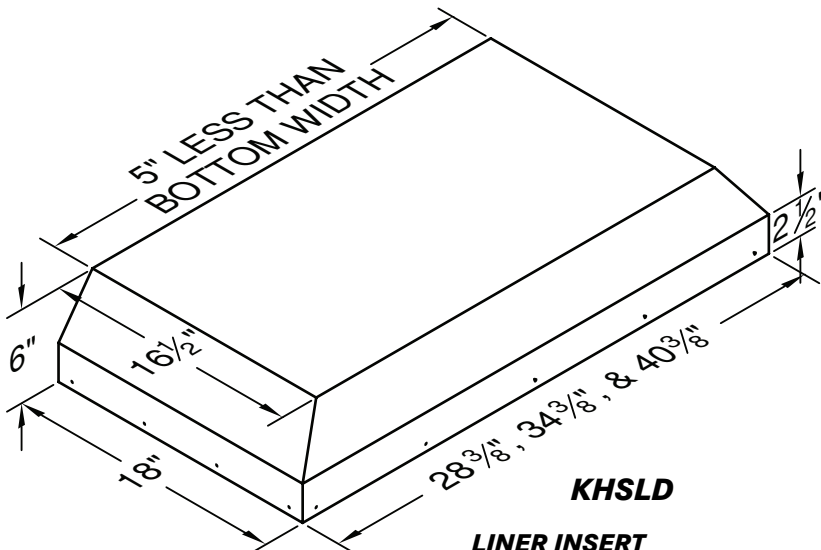
RECOMMENDED MOUNTING HEIGHT FROM COOKING SURFACE: 21-24"



**SLH6-K**  
UNDER CABINET

<b>SLH6-K</b>				
Model No.	CFM	Width	Painted	Stainless
SLH6-K24	250	24"	565	679
SLH6-K30		30"	565	679
SLH6-K36		36"	565	679
SLH6-K42		42"	663	821

RECOMMENDED MOUNTING HEIGHT FROM COOKING SURFACE: 21-24"



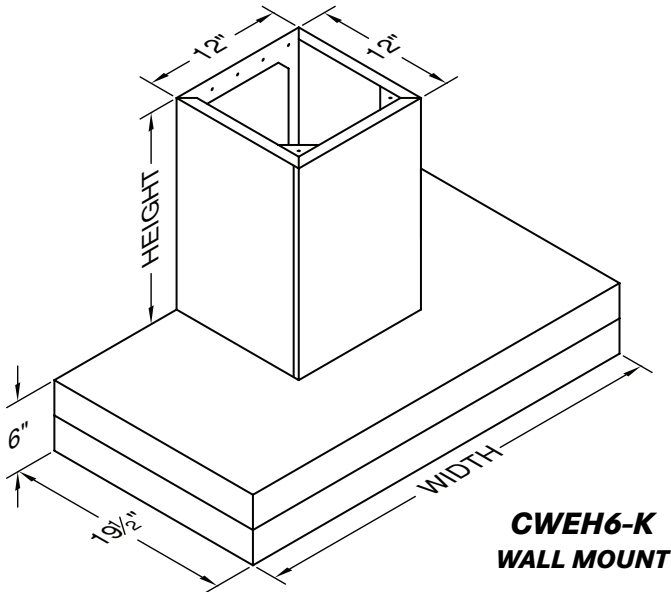
**KHSLD**  
LINER INSERT

<b>KHSLD</b>				
Model No.	CFM	Width	Painted	Stainless
KH28SLD	250	28 3/8"	510	624
KH34SLD		34 3/8"	510	624
KH40SLD		40 3/8"	606	730

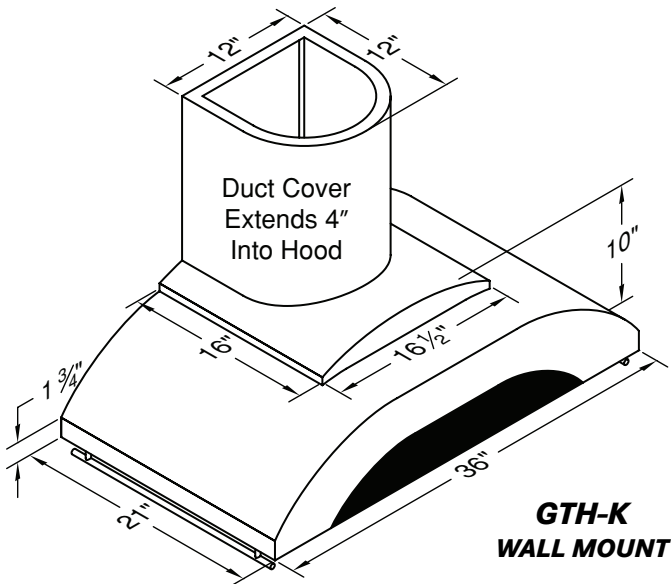
RECOMMENDED MOUNTING HEIGHT FROM COOKING SURFACE: 21-24"  
TRIM KIT NOT INCLUDED

<b>OPTIONAL TRIM KITS</b>			
Model No.	WIDTH	PAINTED	STAINLESS
TKK28SLD	28-3/8"	21.00	21.00
TKK34SLD	34-3/8"	21.00	21.00
TKK40SLD	40-3/8"	22.00	22.00

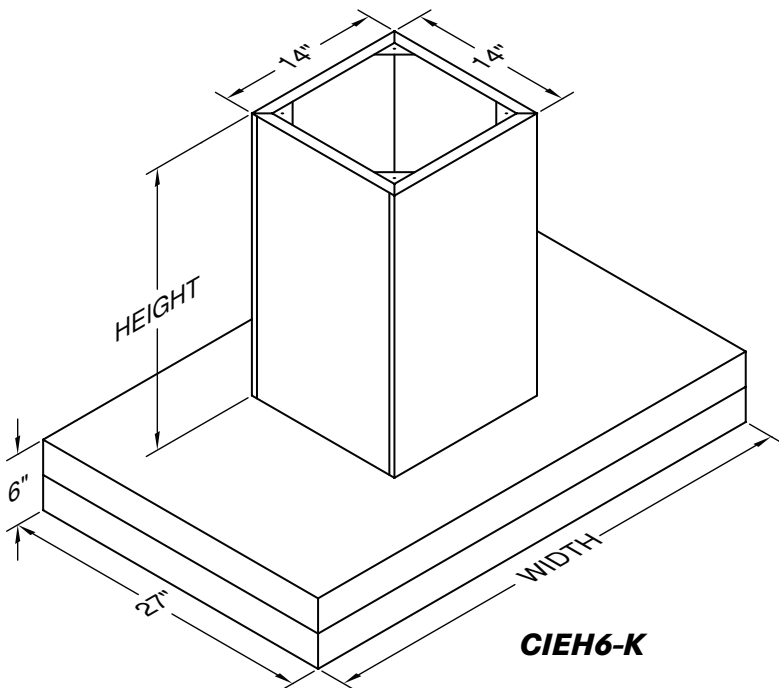
# V-LINE CONTEMPORARY WALL MOUNT & ISLAND



**CWEH6-K  
WALL MOUNT**



**GTH-K  
WALL MOUNT**



**CIEH6-K**

## CWEH6-K

Model No.	CFM	Width	Painted	Stainless
CWEH6-K30	250	30"	1,016	1,291
CWEH6-K36		36"	1,016	1,291
CWEH6-K42		42"	1,187	1,510
CWEH6-K48		48"	1,245	1,569

## DUCT COVERS FOR CWEH6-K

Model No.	Width	Height	Painted	Stainless
WDCRND-12/18	12"	18"	611	660
WDCRND-12/30		30"	673	772
WDCRND-12/42		42"	735	884
CUSTOM	WIDTH X HEIGHT X PLUS		0.47	0.75
			386	

RECOMMENDED MOUNTING HEIGHT FROM COOKING SURFACE: 24"

## GTH-K

Model No.	CFM	Width	Stainless
GTH-K36	250	36"	1,245

## DUCT COVERS FOR GTH-K

Model No.	Width	Height	Stainless
WGDC-12/18	12"	18"	549
WGDC-12/30		30"	660
WGDC-12/42		42"	772
CUSTOM	WIDTH X HEIGHT X PLUS		0.75
			386

## GTH-K VARIATIONS

REMOVE FIXED LENGTH SS RAIL	
ADD	226

RECOMMENDED MOUNTING HEIGHT FROM COOKING SURFACE: 24"  
SHOWN WITH MATCHING DUCT COVER  
(SOLD SEPARATELY)

## CIEH6-K

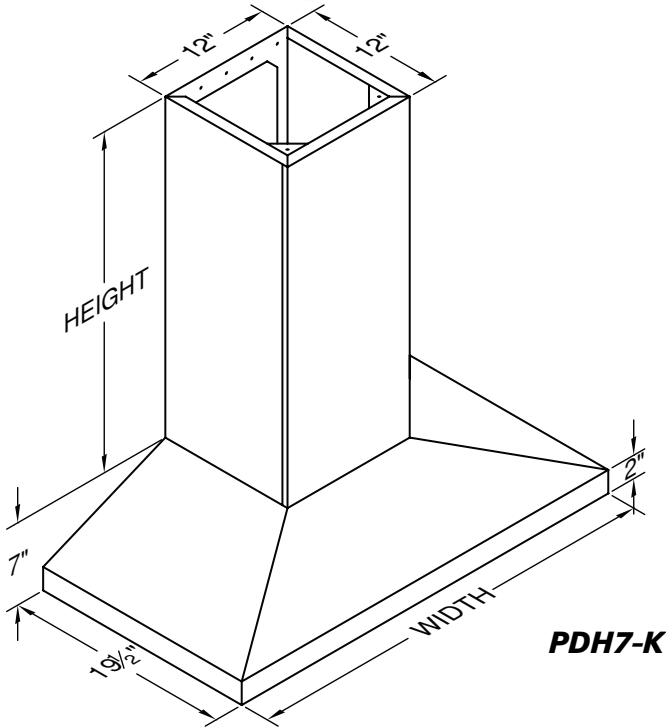
Model No.	CFM	Width	Painted	Stainless
CIEH6-K36	250	36"	1,676	2,482
CIEH6-K42		42"	1,766	2,617

## DUCT COVERS FOR CIEH6-K

Model No.	Width	Height	Painted	Stainless
IDCRND-14/24	12"	24"	594	665
IDCRND-14/36		36"	698	804
CUSTOM	WIDTH X HEIGHT X PLUS		0.62	0.83
			386	

RECOMMENDED MOUNTING HEIGHT FROM COOKING SURFACE: 24"  
SHOWN WITH MATCHING DUCT COVER  
(SOLD SEPARATELY)

# V-LINE EURO-STYLE WALL MOUNT



## PDH7-K

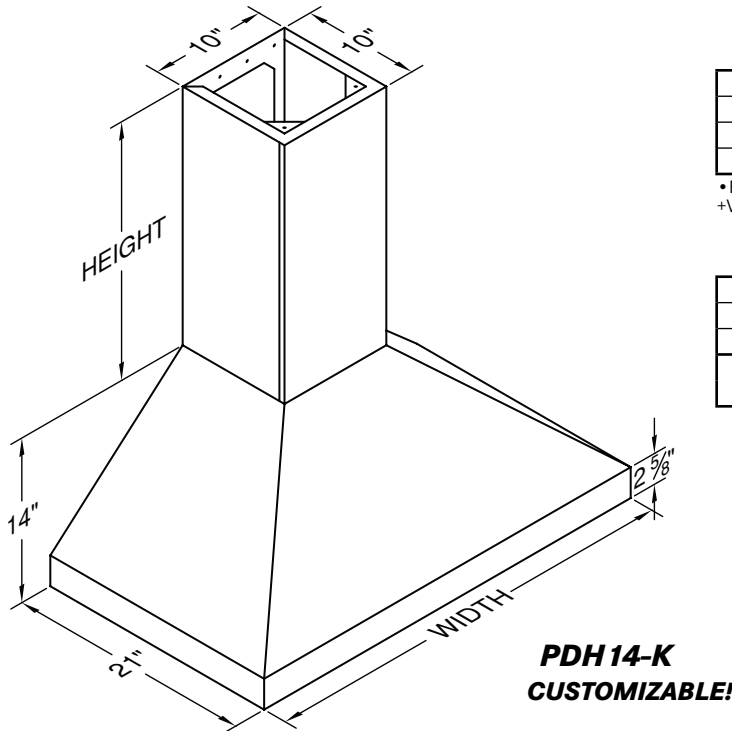
Model No.	CFM	Width	Painted	Stainless
PDH7-K30	250	30"	1,016	1,291
PDH7-K36		36"	1,016	1,291

## DUCT COVERS FOR PDH7-K

Model No.	Width	Height	Painted	Stainless
W7DCRND-12/17	12"	17"	483	538
W7DCRND-12/29		29"	552	646
W7DCRND-12/41		41"	619	754
CUSTOM	WIDTH X HEIGHT X PLUS		0.47	0.75
			386	

RECOMMENDED MOUNTING HEIGHT FROM COOKING SURFACE: 24"

SHOWN WITH MATCHING DUCT COVER (SOLD SEPARATELY)



## PDH14-K

Model No.	CFM+	Width	Painted	Stainless	Overlay*
PDH14-K30	250	30"	1,119	1,547	2,225
PDH14-K36		36"	1,142	1,582	2,308
PDH14-K42		42"	1,201	1,698	2,522
PDH14-K48		48"	1,257	1,761	2,653

\* FOR OVERLAY HOODS, SPECIFY INTERIOR COLOR  
+VP521 TRANSITION TO 7" ROUND INCLUDED

## DUCT COVERS FOR PDH14-K

Model No.	Width	Height	Painted	Stainless	Overlay
WDCRND-10/10	10"	10"	424	461	498
WDCRND-10/22		22"	486	549	636
WDCRND-10/34		34"	549	636	772
CUSTOM	WIDTH X HEIGHT X PLUS		0.47	0.75	1.17
			386		

RECOMMENDED MOUNTING HEIGHT FROM COOKING SURFACE: 24"

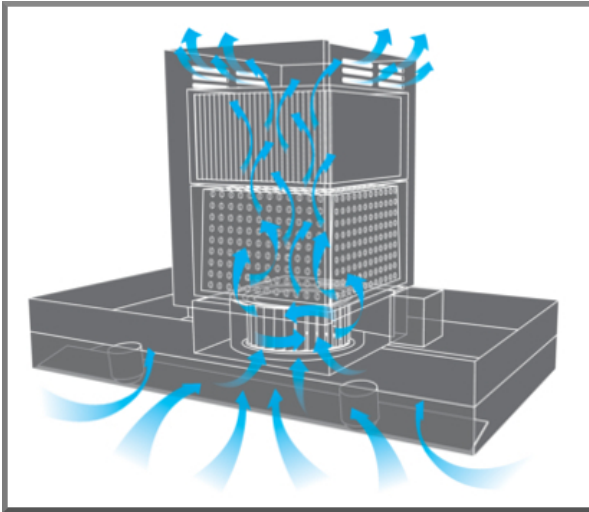
SHOWN WITH MATCHING DUCT COVER (SOLD SEPARATELY)

## PDH14-K EURO-STYLE WALL MOUNT HOOD VARIATIONS

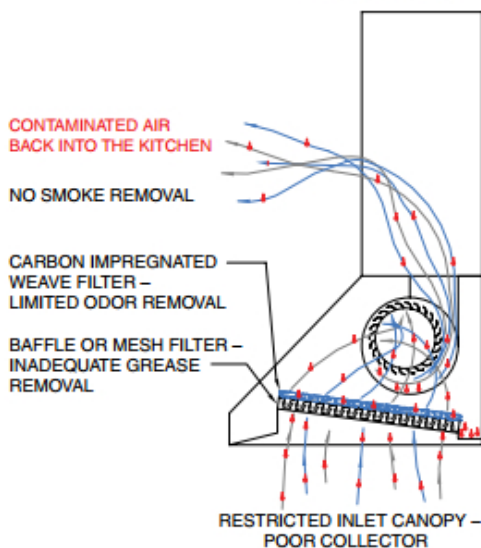
<b>SPECIAL WIDTH (LESS THAN 48")</b>				<b>STAINLESS STEEL INTERIOR ON OVERLAY HOOD</b>	
USE NEXT LARGEST SIZE ON PRICE LIST, PLUS				SUBTRACT PAINTED HOOD PRICE FROM STAINLESS HOOD PRICE	
226				<b>CUSTOM COLOR (SEE CUSTOM COLOR CHART)</b>	
<b>DEPTH OVER 21"</b>				ADD 680	
WIDTH X EXTRA DEPTH X PLUS	PAINTED	STAINLESS	OVERLAY	<b>TRIM OPTIONS</b>	
	1.11	1.64	2.23	SEE PAGES 52-53 FOR FINISH AND TRIM OPTIONS	
		386			

# Vent-A-Hood®

## ARS DUCT FREE RANGE HOODS

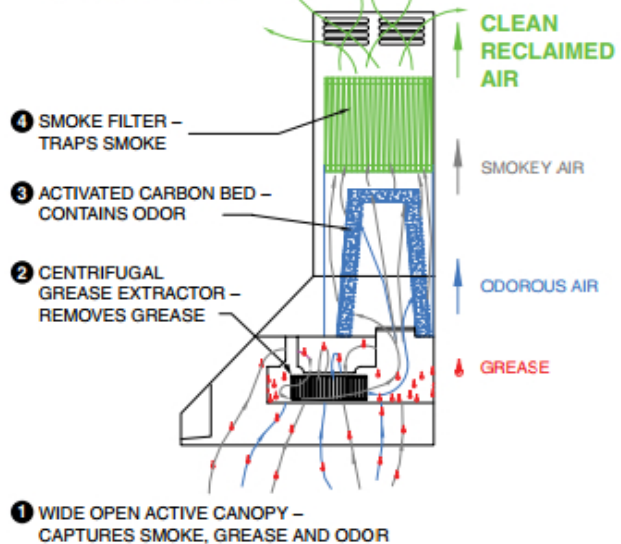


CONVENTIONAL DUCTLESS HOOD  
THE OLD WAY



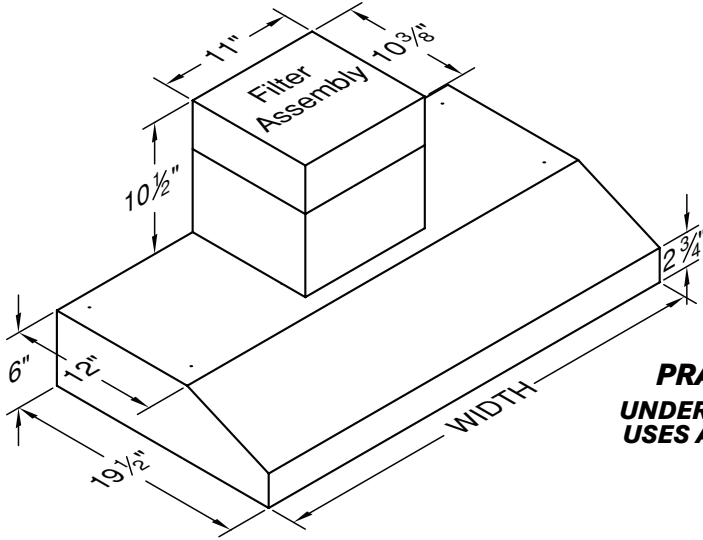
VS

VENT-A-HOOD 4-PHASE AIR RECOVERY SYSTEM  
THE BETTER WAY



ARS series range hoods are powerful, quiet, efficient, easy to maintain, and, because they're duct-free, they offer unlimited design freedom. The 4 Phase process works so well your home interior, including furnishings and fabrics, stays cleaner and lasts longer

# ARS DUCT FREE UNDER CABINET & LINER INSERT

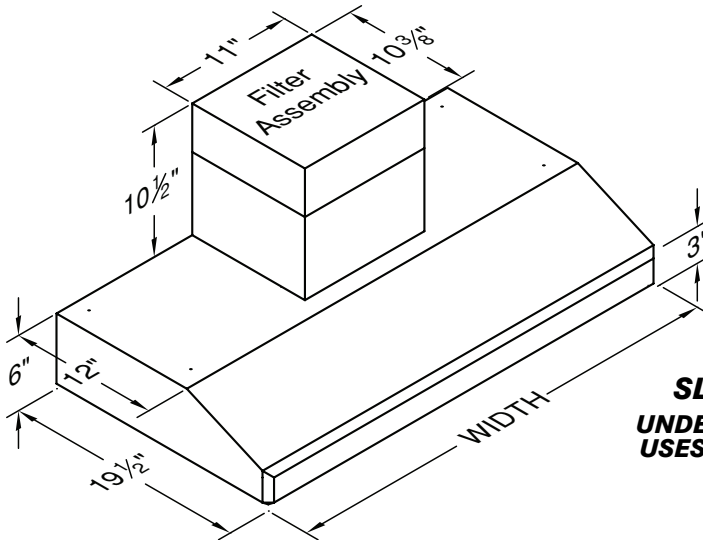


## PRAH6-K

Model No.	ARS Kit •	Width	Painted	Stainless
PRAH6-K24	ARSUC-12	24"	565	679
PRAH6-K30		30"	565	679
PRAH6-K36		36"	565	679
PRAH6-K42		42"	663	821

• ARS KIT IS REQUIRED FOR INSTALLATION, SOLD SEPARATELY.

**RECOMMENDED MOUNTING HEIGHT FROM COOKING SURFACE: 21 - 24"**

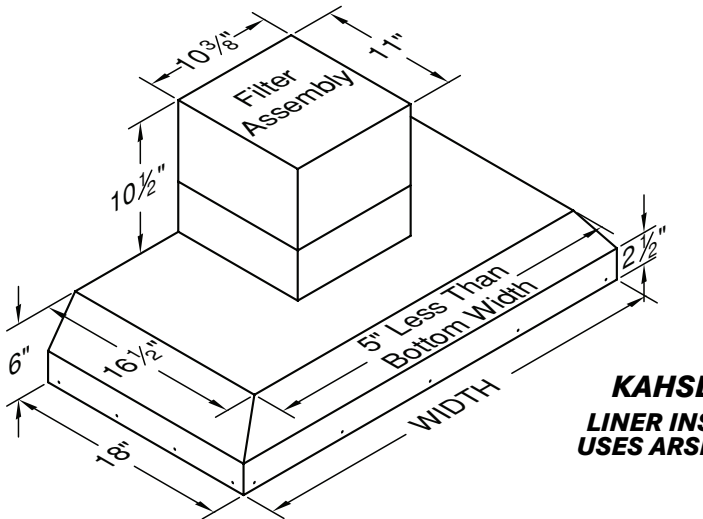


## SLAH6-K

Model No.	ARS Kit •	Width	Painted	Stainless
SLAH6-K24	ARSUC-12	24"	565	679
SLAH6-K30		30"	565	679
SLAH6-K36		36"	565	679
SLAH6-K42		42"	663	821

• ARS KIT IS REQUIRED FOR INSTALLATION, SOLD SEPARATELY.

**RECOMMENDED MOUNTING HEIGHT FROM COOKING SURFACE: 21 - 24"**



## KAHSLD

Model No.	ARS Kit •	Width	Painted	Stainless
KAH28SLD	ARSLP-12	28 3/8"	510	624
KAH34SLD		34 3/8"	510	624
KAH40SLD		40 3/8"	606	730

• ARS KIT IS REQUIRED FOR INSTALLATION, SOLD SEPARATELY.

## OPTIONAL TRIM KITS

Model No.	Width	Painted	Stainless
TKK28SLD	28-3/8"	21.00	21.00
TKK34SLD	34-3/8"	21.00	21.00
TKK40SLD	40-3/8"	22.00	22.00

**RECOMMENDED MOUNTING HEIGHT FROM COOKING SURFACE: 21 - 24"**

## ARS FILTER KITS

Model No.	Description	Price
ARSLP-12	ARS Filter Assembly - Low Profile	285
ARSUC-12	ARS Filter Assembly - Under Cabinet	285

## ARS FILTER REPLACEMENT PARTS

Model No.	Description	Price
PARS-12	12" x 12" Replacement H.E. Filter Assembly	311
PARS-C	Replacement Activated Carbon Pellets - 1 Gallon	63

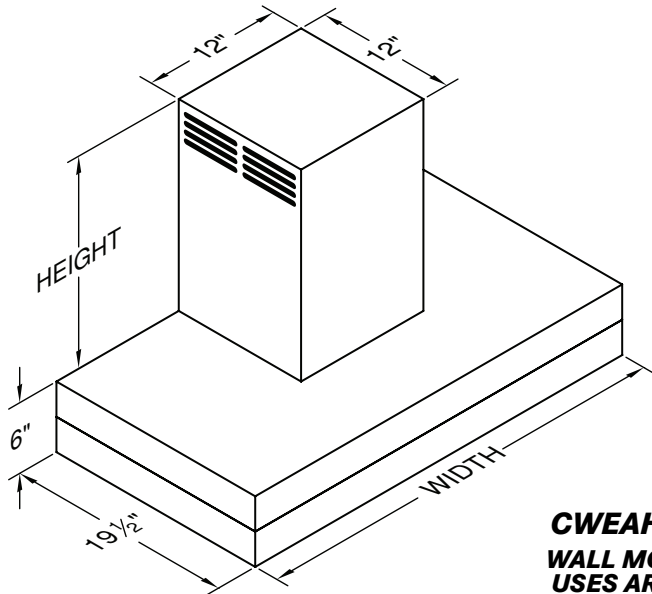
THE H.E. FILTER ASSEMBLY AND ACTIVATED CARBON MEDIA SHOULD BE CHANGED AS NEEDED BASED ON USAGE.

# ARS DUCT FREE CONTEMPORARY WALL MOUNT & ISLAND

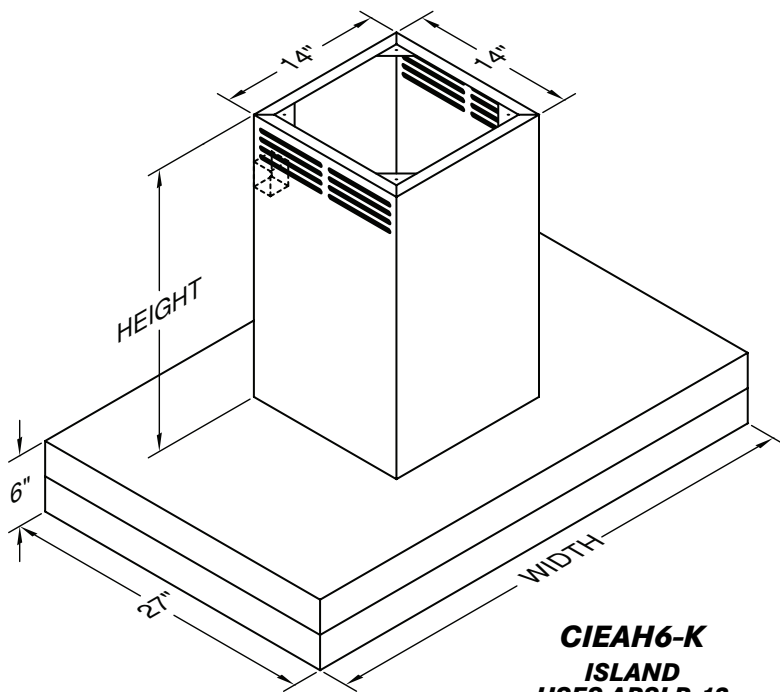
The ARS Wall Mount and Island Systems shown on pages 60, 61 and 62 are comprised of three separate components:

1. The Vent
2. The Duct Cover
3. The Filter.

Each component is listed separately and must be ordered individually.



**CWEAH6-K  
WALL MOUNT  
USES ARS-12**



**CIEAH6-K  
ISLAND  
USES ARSLP-12**

## CWEAH6-K

Model No.	ARS Kit •	Width	Painted	Stainless
CWEAH6-K30	ARS-12	30"	893	1,131
CWEAH6-K36		36"	893	1,131
CWEAH6-K42		42"	1,035	1,321
CWEAH6-K48		48"	1,084	1,355

• ARS KIT IS REQUIRED FOR INSTALLATION, SOLD SEPARATELY.

## DUCT COVERS FOR CWEAH6-K

Model No.	Width	Height	Painted	Stainless
WDCAND-12/18	12"	18"	636	685
WDCAND-12/30		30"	697	785
WDCAND-12/42		42"	760	872

SHOWN WITH MATCHING DUCT  
COVER AND ARS FILTER KIT  
(SOLD SEPARATELY)

RECOMMENDED MOUNTING HEIGHT FROM  
COOKING SURFACE: 24"

## CIEAH6-K

Model No.	ARS Kit •	Width	Painted	Stainless
CIEAH6-K36	ARSLP-12	36"	1,676	2,234
CIEAH6-K42		42"	1,766	2,355

• ARS KIT IS REQUIRED FOR INSTALLATION, SOLD SEPARATELY.

## DUCT COVERS FOR CIEAH6-K

Model No.	Width	Height	Painted	Stainless
IDCAND-14/24	14"	24"	723	794
IDCAND-14/36		36"	827	933

SHOWN WITH MATCHING DUCT  
COVER AND ARSLP-12 FILTER  
KIT (SOLD SEPARATELY)

RECOMMENDED MOUNTING HEIGHT FROM  
COOKING SURFACE: 30"

## ARS FILTER KITS

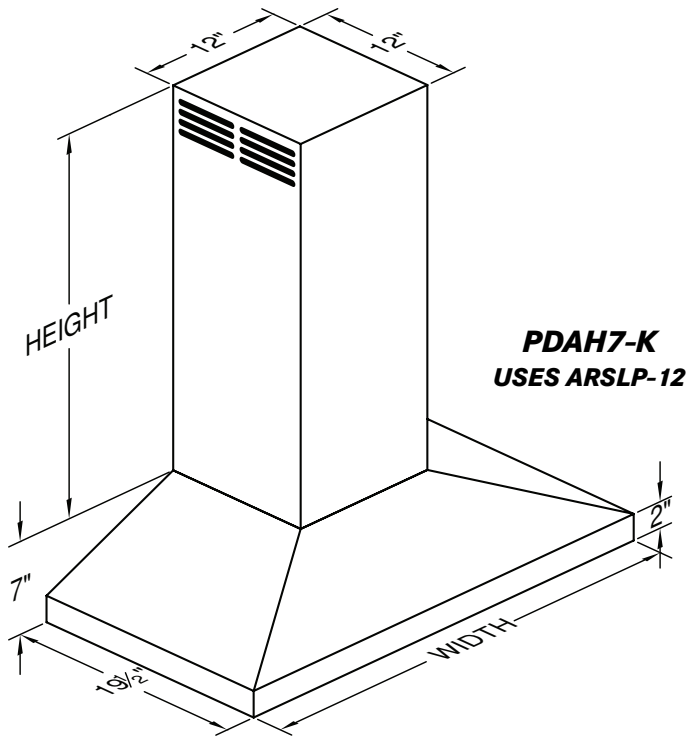
Model No.	Description	Price
ARS-12	ARS Filter Assembly for CWEAH6-K	385
ARSLP-12	ARS Filter Assembly - Low Profile	285

## ARS FILTER REPLACEMENT PARTS

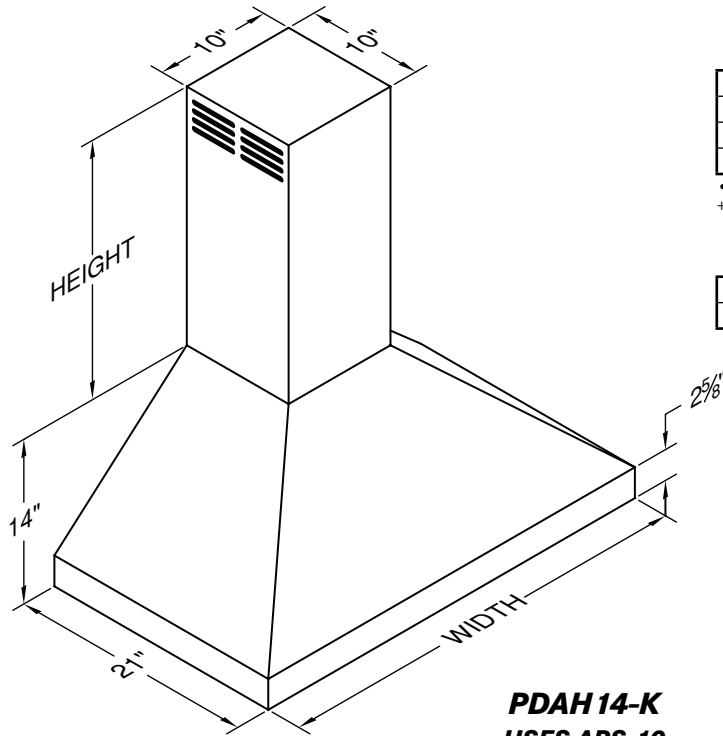
Model No.	Description	Price
PARS-12	12" x 12" Replacement H.E. Filter Assembly	311
PARS-C	Replacement Activated Carbon Pellets - 1 Gallon	63

THE H.E. FILTER ASSEMBLY AND ACTIVATED CARBON MEDIA SHOULD BE CHANGED AS NEEDED BASED ON USAGE.

# ARS DUCT FREE EURO-STYLE WALL MOUNT



**PDAH7-K  
USES ARSLP-12**



**PDAH14-K  
USES ARS-10**

## PDAH7-K

Model No.	ARS Kit •	Width	Painted	Stainless
PDAH7-K30	ARSLP-12	30"	1,016	1,291
PDAH7-K36		36"	1,016	1,291

• ARS KIT IS REQUIRED FOR INSTALLATION, SOLD SEPARATELY.

## DUCT COVERS FOR PDAH7-K

Model No.	Width	Height	Painted	Stainless
W7DCAND-12/17	12"	17"	630	677
W7DCAND-12/29		29"	692	777
W7DCAND-12/41		41"	755	864

SHOWN WITH MATCHING DUCT COVER AND ARSLP-12 FILTER KIT (EACH SOLD SEPARATELY)

RECOMMENDED MOUNTING HEIGHT FROM COOKING SURFACE: 24"

## PDAH14-K

Model No.	ARS Kit •	Width	Painted	Stainless	Overlay+
PDAH14-K30	ARS-10	30"	1,119	1,547	2,225
PDAH14-K36		36"	1,142	1,582	2,308
PDAH14-K42		42"	1,201	1,698	2,522
PDAH14-K48		48"	1,257	1,761	2,653

• ARS KIT IS REQUIRED FOR INSTALLATION, SOLD SEPARATELY.  
+FOR OVERLAY HOODS, SPECIFY INTERIOR COLOR

## DUCT COVERS FOR PDAH14-K

Model No.	Width	Height	Painted	Stainless	Overlay
WDCAND-10/22	10"	22"	636	697	772
WDCAND-10/34		34"	685	772	898

SHOWN WITH MATCHING DUCT COVER AND ARS-10 FILTER KIT (EACH SOLD SEPARATELY)

RECOMMENDED MOUNTING HEIGHT FROM COOKING SURFACE: 24"

## ARS FILTER KITS

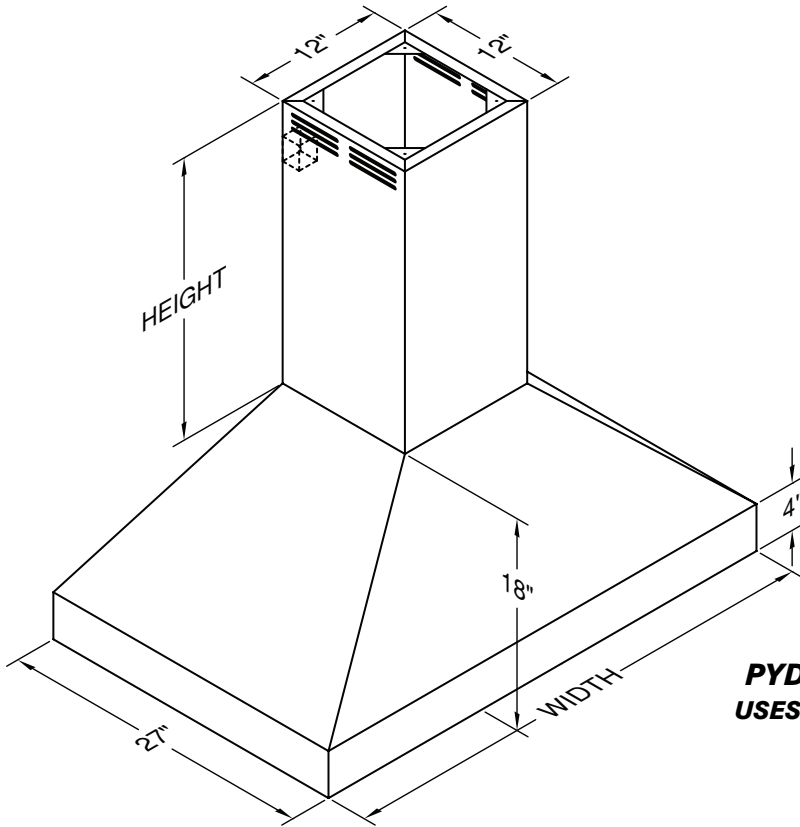
Model No.	Description	Price
ARS-10	ARS Filter Assembly for PDAH14-K	385
ARSLP-12	ARS Filter Assembly - Low Profile	285

## ARS FILTER REPLACEMENT PARTS

Model No.	Description	Price
PARS-10	10" x 10" Replacement H.E. Filter Assembly	311
PARS-12	12" x 12" Replacement H.E. Filter Assembly	311
PARS-C	Replacement Activated Carbon Pellets - 1 Gallon	63

THE H.E. FILTER ASSEMBLY AND ACTIVATED CARBON MEDIA SHOULD BE CHANGED AS NEEDED BASED ON USAGE.

# ARS DUCT FREE EURO-STYLE ISLAND



**PYDAH 18-K  
USES ARSLP-12**

## PYDAH 18-K

Model No.	ARS Kit •	Width	Painted	Stainless
PYDAH 18-K36	ARSLP-12	36"	2,665	3,627
PYDAH 18-K42		42"	2,779	3,779

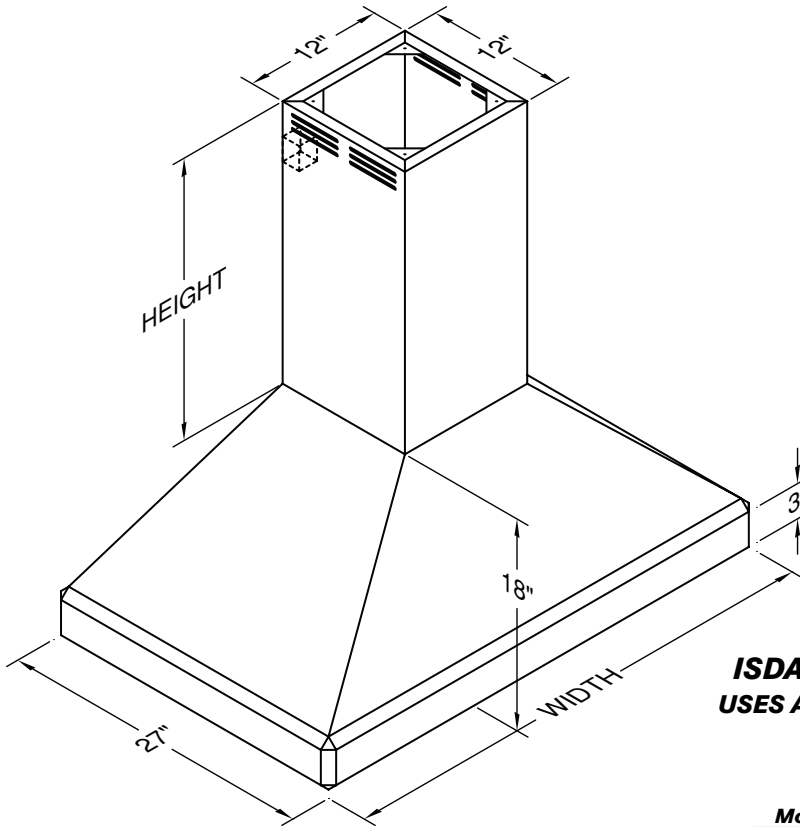
• ARS KIT IS REQUIRED FOR INSTALLATION, SOLD SEPARATELY.

## DUCT COVERS FOR PYDAH 18-K

Model No.	Width	Height	Painted	Stainless
IDCAND-12/24	12"	24"	697	785
IDCAND-12/36		36"	760	872

SHOWN WITH MATCHING DUCT  
COVER AND ARSLP-12 FILTER  
KIT (SOLD SEPARATELY)

RECOMMENDED MOUNTING HEIGHT FROM  
COOKING SURFACE: 30"



**ISDAH 18-K  
USES ARSLP-12**

## ISDAH 18-K

Model No.	ARS Kit •	Width	Painted	Stainless
ISDAH 18-K36	ARSLP-12	36"	3,156	4,146
ISDAH 18-K42		42"	3,269	4,298

• ARS KIT IS REQUIRED FOR INSTALLATION, SOLD SEPARATELY.

## DUCT COVERS FOR PYDAH 18-K

Model No.	Width	Height	Painted	Stainless
IDCAND-12/24	12"	24"	697	785
IDCAND-12/36		36"	760	872

SHOWN WITH MATCHING DUCT  
COVER AND ARSLP-12 FILTER  
KIT (SOLD SEPARATELY)

RECOMMENDED MOUNTING HEIGHT FROM  
COOKING SURFACE: 30"

## ARS FILTER KITS

Model No.	Description	Price
ARSLP-12	ARS Filter Assembly - Low Profile	285

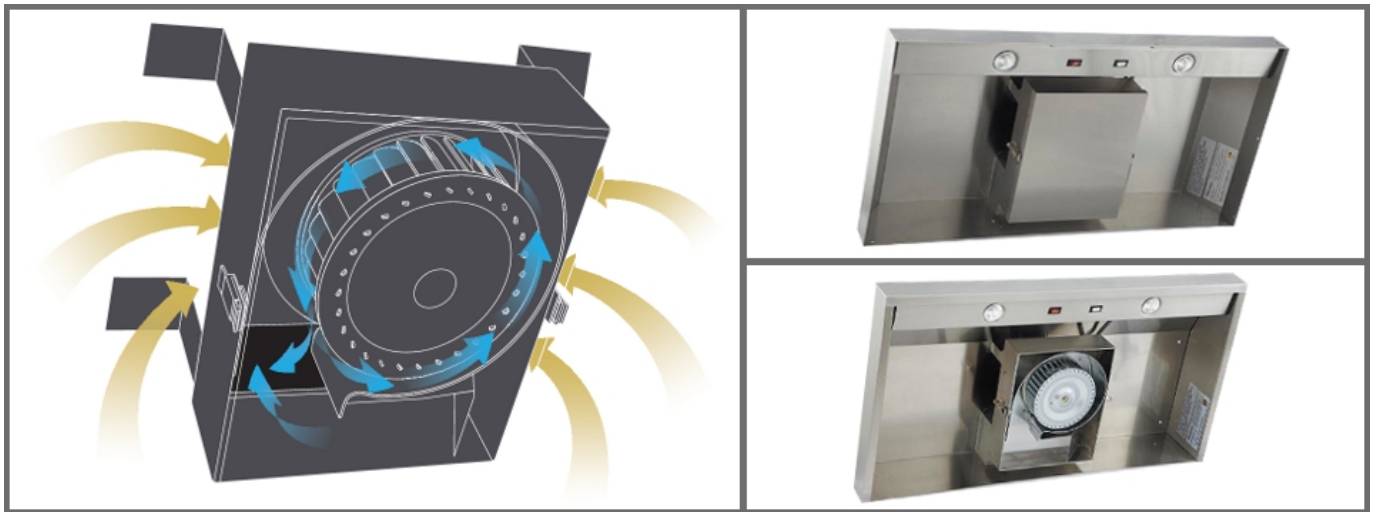
## ARS FILTER REPLACEMENT PARTS

Model No.	Description	Price
PARS-12	12" x 12" Replacement H.E. Filter Assembly	311
PARS-C	Replacement Activated Carbon Pellets - 1 Gallon	63

THE H.E. FILTER ASSEMBLY AND ACTIVATED CARBON MEDIA SHOULD BE CHANGED AS NEEDED BASED ON USAGE.

# Vent-A-Hood®

## M SERIES RANGE HOODS



### Vent-A-Hood® Power Lung Technology

Vent-A-Hood®'s Power Lung products are engineered as efficient and quiet ventilators incorporating superior performance that fits the needs of the most common cooking products in the marketplace.

The exclusive Vent-A-Hood® Power Lung Blower and Centrifugal Filter chamber are built together to work as one in a single housing. Engineered to provide superior performance, the Power Lung eliminates grease that baffle filters and mesh screens do not.

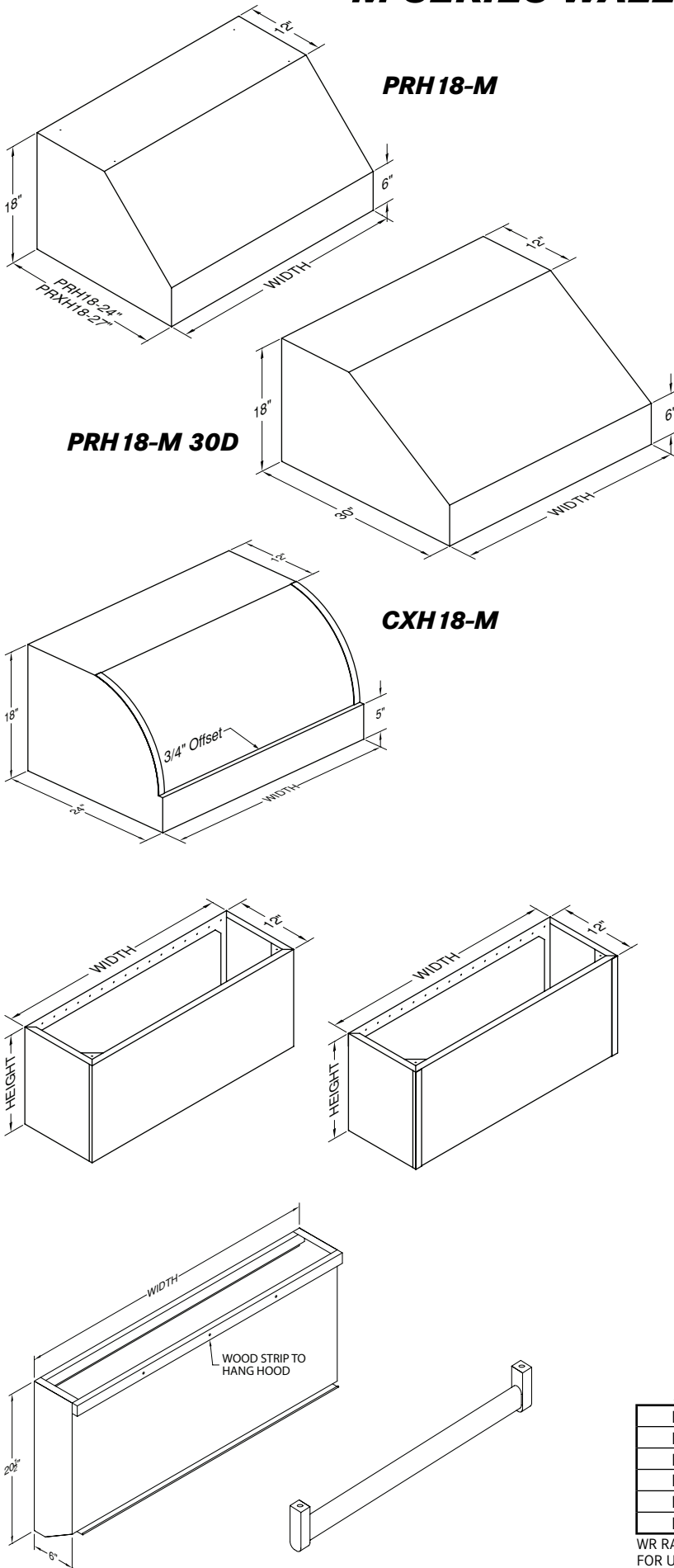
### Vent-A-Hood®'s Power Lung Delivers What Matters Most in Ventilation

**CAPTURES GREASE:** Vent-A-Hood® range hoods featuring the exclusive Power Lung blower with the Centrifugal Filter chamber actively remove grease from the air. The grease is captured and held in a collecting tray that can be removed and cleaned. Grease is the enemy, and the Power Lung wins the battle.

**CONTROLS SMOKE:** Vent-A-Hood®'s Active Canopy design ensures more interior surface is utilized to hold hot air and smoke, preventing it from exiting the hood canopy and into the room.

**EFFICIENT:** Engineered with a canopy, incorporating a capture area for vapor holding capacity, makes the Power Lung much more effective and energy-efficient requiring lower CFM (cubic foot per minute) of air removal. Much like European products, the patented Power Lung design combines energy efficiency with superior product performance. Products available include 6" tall insert liners for wood enclosures, under-cabinet models including the stylish emerald series design, and traditional professional designs.

# M SERIES WALL MOUNT



## PRH 18-M/PRXH 18-M

Model No.	Width	Price	Filters
PRH 18-M30 SS	30"	1,223	2
PRH 18-M36 SS	36"	1,244	2
PRH 18-M42 SS	42"	1,345	2
PRH 18-M48 SS	48"	1,419	3
PRH 18-M54 SS	54"	1,735	3
PRH 18-M60 SS	60"	1,884	4
PRH 18-M66 SS	66"	2,012	4

FOR 27" DEEP MODEL, ORDER PRXH 18-M (NO ADDITIONAL COST)  
 BLOWER SOLD SEPARATELY  
 STAINLESS STEEL BAFFLE FILTERS AND GU10 LIGHTING INCLUDED.

**RECOMMENDED MOUNTING HEIGHT FROM COOKING SURFACE: 30"**

## PRH 18-M 30"D

Model No.	Width	Price	Filters
PRH 18-M36x30 SS	36"	1,839	2
PRH 18-M42x30 SS	42"	2,024	2
PRH 18-M48x30 SS	48"	2,162	3
PRH 18-M54x30 SS	54"	2,547	3

BLOWER SOLD SEPARATELY  
 STAINLESS STEEL BAFFLE FILTERS AND GU10 LIGHTING INCLUDED.

**RECOMMENDED MOUNTING HEIGHT FROM COOKING SURFACE: 30"**

## CXH 18-M

Model No.	Width	Price	Filters
CXH 18-M30 SS	30"	1,563	2
CXH 18-M36 SS	36"	1,584	2
CXH 18-M42 SS	42"	1,690	2
CXH 18-M48 SS	48"	1,818	3
CXH 18-M54 SS	54"	2,102	3
CXH 18-M60 SS	60"	2,261	4
CXH 18-M66 SS	66"	2,461	4

BLOWER SOLD SEPARATELY  
 STAINLESS STEEL BAFFLE FILTERS AND GU10 LIGHTING INCLUDED.  
 1" STAINLESS STEEL BANDS INCLUDED.

**RECOMMENDED MOUNTING HEIGHT FROM COOKING SURFACE: 30"**

## WALL MOUNT DUCT COVER OPTIONS

Model No.	Width	Height	Price
WDCM-30 SS	30"	12"	476
WDCM-30/24 SS		24"	673
WDCM-30/36 SS		36"	871
WDCM-36 SS	36"	12"	515
WDCM-36/24 SS		24"	752
WDCM-36/36 SS		36"	988
WDCM-42 SS	42"	12"	556
WDCM-42/24 SS		24"	832
WDCM-42/36 SS		36"	1,107
WDCM-48 SS	48"	12"	594
WDCM-48/24 SS		24"	910
WDCM-48/36 SS		36"	1,225
WDCM-54 SS	54"	12"	634
WDCM-60 SS	60"	12"	673
WDCM-66 SS	66"	12"	713

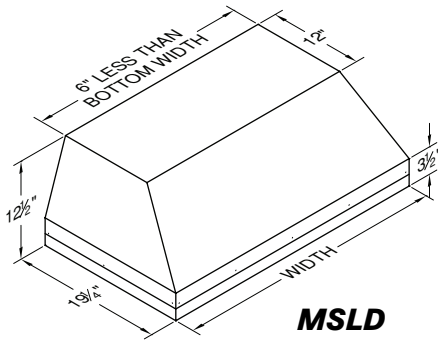
USE XDCM MODEL NUMBER PREFIX FOR CXH 18-M HOODS.  
 1" STAINLESS STEEL BANDS INCLUDED ON XDCM MODELS.

## M SERIES BBQ EXTENSION

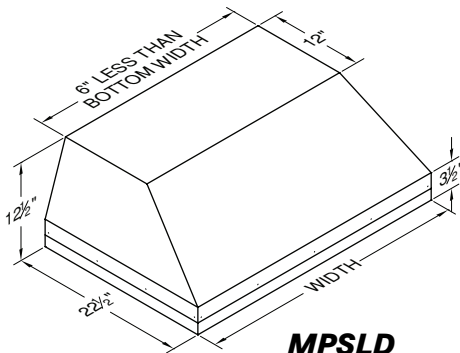
Model No.	Width	Price	WR Rail	Price
BBE-M30 SS	30"	449	WR-M30	89
BBE-M36 SS	36"	528	WR-M36	99
BBE-M42 SS	42"	578	WR-M42	99
BBE-M48 SS	48"	618	WR-M48	105
BBE-M54 SS	54"	663	WR-M54	105
BBE-M60 SS	60"	708	WR-M60	105

WR RAIL SOLD SEPARATELY  
 FOR USE ON CXH 18-M, PRH 18-M, AND PRXH 18-M

# M SERIES WALL MOUNT LINER INSERTS & BLOWERS



**MSLD**



**MPSLD**

## MSLD

Model No.	Width	Price	Filters
M28SLD SS	28 3/8"	647	2
M34SLD SS	34 3/8"	647	2
M40SLD SS	40 3/8"	715	2
M46SLD SS	46 3/8"	887	3
M52SLD SS	52 3/8"	1,540	3
M58SLD SS	58 3/8"	1,630	4
M64SLD SS	64 3/8"	1,861	4

BLOWER SOLD SEPARATELY  
STAINLESS STEEL BAFFLE FILTERS AND GU10 LIGHTING INCLUDED.

**RECOMMENDED MOUNTING HEIGHT FROM COOKING SURFACE: 24 - 27"**

## MPSLD

Model No.	Width	Price	Filters
M28PSLD SS	28 3/8"	647	2
M34PSLD SS	34 3/8"	647	2
M40PSLD SS	40 3/8"	715	2
M46PSLD SS	46 3/8"	887	3
M52PSLD SS	52 3/8"	1,540	3
M58PSLD SS	58 3/8"	1,630	4
M64PSLD SS	64 3/8"	1,861	4

BLOWER SOLD SEPARATELY  
STAINLESS STEEL BAFFLE FILTERS AND GU10 LIGHTING INCLUDED.

**RECOMMENDED MOUNTING HEIGHT FROM COOKING SURFACE: 24 - 27"**



**M600**



**M1200**

## BLOWER OPTIONS

Model No.	CFM+	Amps	Price	Incl. •	Duct Size
M600	630	5.0	429	N/A	6" Round
M1200	1035	10.0	825	VP566	10" Round
WHM300*	300	5.0	13	N/A	6" Round
WHM400*	400	5.0	13	N/A	6" Round

+ CFM RATING IS AT 0.0" STATIC PRESSURE

• VP566 TRANSITION IS PACKAGED SEPARATELY FROM M1200 BLOWER

\* WHM300 IS A HARNESS TO BE USED WITH THE M600 WHICH LIMITS TO 300 CFM

\* WHM400 IS A HARNESS TO BE USED WITH THE M600 WHICH LIMITS TO 400 CFM

# VENTING ACCESSORIES

**PRICES DO NOT INCLUDE SHIPPING & HANDLING CHARGES.**

WALL LOUVER			WALL LOUVER			WALL LOUVER			RECTANGULAR WALL LOUVER		
<b>MODEL</b>	<b>DESCRIPTION</b>	<b>PRICE</b>	<b>MODEL</b>	<b>DESCRIPTION</b>	<b>PRICE</b>	<b>MODEL</b>	<b>DESCRIPTION</b>	<b>PRICE</b>	<b>MODEL</b>	<b>DESCRIPTION</b>	<b>PRICE</b>
VP526	6" Round	\$53.25	VP554	10" Round	\$75.91	VP555	12" Round	\$75.91	VP538	6" x 8-1/2"	\$53.25
VP527	7" Round	\$53.25							VP560	3-1/4" x 10"	\$38.52
VP528	8" Round	\$53.25									
LOW PROFILE ROOF JACK (MAXIMUM 4/12 PITCH)			LOW PROFILE ROOF JACK (MAXIMUM 4/12 PITCH)			LOW PROFILE ROOF JACK (MINIMUM 4/12 PITCH)			LOW PROFILE ROOF JACK (MINIMUM 4/12 PITCH)		
<b>MODEL</b>	<b>DESCRIPTION</b>	<b>PRICE</b>	<b>MODEL</b>	<b>DESCRIPTION</b>	<b>PRICE</b>	<b>MODEL</b>	<b>DESCRIPTION</b>	<b>PRICE</b>	<b>MODEL</b>	<b>DESCRIPTION</b>	<b>PRICE</b>
VP539	6" Round	\$53.25	VP552	10" Round	\$114.43	VP539-HP	6" Round	\$53.25	VP552-HP	10" Round	\$114.43
VP540	7" Round	\$53.25	VP553	12" Round	\$114.43	VP540-HP	7" Round	\$53.25	VP553-HP	12" Round	\$114.43
VP541	8" Round	\$53.25				VP541-HP	8" Round	\$53.25			
ADJUSTABLE ELBOW			BACK/SIDE VENT ELBOW			3 1/4" x 10" BACK VENT ELBOW			3 1/4" x 10" TO 7" TRANSITION		
<b>MODEL</b>	<b>DESCRIPTION</b>	<b>PRICE</b>	<b>MODEL</b>	<b>DESCRIPTION</b>	<b>PRICE</b>	<b>MODEL</b>	<b>DESCRIPTION</b>	<b>PRICE</b>	<b>MODEL</b>	<b>DESCRIPTION</b>	<b>PRICE</b>
VP513	6" Round	\$15.86	VP561	8" to 6" x 8-1/2"	\$21.53	VP559	3-1/4" x 10"	\$21.53	VP521	3-1/4" x 10 to 7"	\$21.53
VP514	7" Round	\$15.86									
VP515	8" Round	\$15.86									
MULTI-BLOWER TRANSITION			M1200 STANDARD TRANSITION			STANDARD ISLAND TRANSITION			CLUSTER BLOWER TRANSITION		
<b>MODEL</b>	<b>DESCRIPTION</b>	<b>PRICE</b>	<b>MODEL</b>	<b>DESCRIPTION</b>	<b>PRICE</b>	<b>MODEL</b>	<b>DESCRIPTION</b>	<b>PRICE</b>	<b>MODEL</b>	<b>DESCRIPTION</b>	<b>PRICE</b>
VP562	6" & 8" to 10"	\$114.43	VP566	M1200 Transition	\$41.92	VP565	5" x 16" to 8" Rnd	\$41.92	VP564	8" & 8" to 12"	\$41.92
VP563	8" & 8" to 12"	\$114.43									
OFFSET L & R TRANSITION FOR ISLAND BLOWERS			SIDE VENT TRANSITION L & R FOR ISLAND BLOWERS			OFFSET KIT - ROUND			OFFSET KIT - RECTANGULAR		
<b>MODEL</b>	<b>DESCRIPTION</b>	<b>PRICE</b>	<b>MODEL</b>	<b>DESCRIPTION</b>	<b>PRICE</b>	<b>MODEL</b>	<b>DESCRIPTION</b>	<b>PRICE</b>	<b>MODEL</b>	<b>DESCRIPTION</b>	<b>PRICE</b>
VP542	Top Left	\$41.92	VP544	Side Left	\$41.92	VP529	6" Rnd to 7" Rnd	\$21.53	VP550	6" to 3-1/4" x 10"	\$21.53
VP543	Top Right	\$41.92	VP545	Side Right	\$41.92						
"Y" TRANSITION			ROUND DUCT PIPE			3 1/4" RECTANGULAR DUCT PIPE			6" RECTANGULAR DUCT PIPE		
<b>MODEL</b>	<b>DESCRIPTION</b>	<b>PRICE</b>	<b>MODEL</b>	<b>DESCRIPTION</b>	<b>PRICE</b>	<b>MODEL</b>	<b>DESCRIPTION</b>	<b>PRICE</b>	<b>MODEL</b>	<b>DESCRIPTION</b>	<b>PRICE</b>
VP517	8" & 8" to 12"	\$47.59	VP500	6" Round	\$18.13	VP504	3-1/4" x 10"	\$18.13	VP507	6" x 8-1/2"	\$18.13
VP518	8" & 8" to 12"	\$47.59	VP501	7" Round	\$18.13	VP505	3-1/4" x 12"	\$18.13			
VP551	6" & 8" to 10"	\$47.59	VP502	8" Round	\$18.13	VP506	3-1/4" x 16"	\$18.13			

# REPLACEMENT PARTS

**PRICES DO NOT INCLUDE SHIPPING & HANDLING CHARGES.**

<u>MOTORS</u>			<u>M LINE COMPONENTS</u>		
<u>PART NO.</u>	<u>DESCRIPTION</u>	<u>PRICE</u>	<u>PART NO.</u>	<u>DESCRIPTION</u>	<u>PRICE</u>
P1301-1	SINGLE SPEED WHITE MOTOR (CW)	\$79.71	P1440	M LINE BLOWER SWITCH	\$17.84
P1301-2	TWO SPEED WHITE MOTOR (CW)	\$79.71	P1445	M LINE BLOWER SWITCH KNOB	\$8.33
P1302-1	BLACK MOTOR (CCW)	\$79.71	P1450	M LINE LIGHT SWITCH	\$17.84
P1315	V-LINE MOTOR	\$117.78	P1455	M LINE LIGHT SWITCH KNOB	\$8.33
P1900	ADAPTER (AMP PLUG/TWO PRONG PLUG)	\$4.76	P1456	M600 WIRING HARNESS	\$53.54
			P1457	M1200 WIRING HARNESS	\$53.54
<u>BLOWER WHEELS</u>			<u>LIGHT BULBS</u>		
<u>PART NO.</u>	<u>DESCRIPTION</u>	<u>PRICE</u>	<u>PART NO.</u>	<u>DESCRIPTION</u>	<u>PRICE</u>
P1305	WHITE BLOWER WHEEL (CW)	\$21.42	P1110	GU10 HALOGEN BULB, 50 WATT	\$13.09
P1306	BLACK BLOWER WHEEL (CCW)	\$21.42	P1111	GU10 LED BULB	\$16.50
P1307	V-LINE BLOWER WHEEL	\$21.42	P1130	PAR20 HALOGEN BULB, 50 WATT	\$13.09
			P1350	INTEGRATED LED BULB	\$54.91
<u>BLOWER HOUSINGS</u>			<u>LIGHT FIXTURE COMPONENTS</u>		
<u>PART NO.</u>	<u>DESCRIPTION</u>	<u>PRICE</u>	<u>PART NO.</u>	<u>DESCRIPTION</u>	<u>PRICE</u>
<i>SPECIFY HOOD COLOR</i>					
P1029	B100/T200 BLOWER HSG w/DAMPER	\$65.43	P1103	LEFT LAMPHOLDER	\$4.76
P1029E	B100/T200 EZ CLEAN HSG w/DAMPER	\$65.43	P1104	RIGHT LAMPHOLDER	\$4.76
P1028	B200/T400 BLOWER HSG w/DAMPERS	\$126.10	P1105	FS-2 STARTER	\$2.38
P1028E	B200/T400 EZ CLEAN HSG w/DAMPERS	\$126.10	P1106	STARTER SOCKET	\$5.95
P1030	T200 REVERSE BLOWER HSG w/DAMPER	\$65.43	P1123	PAR20 HALOGEN LAMP SOCKET	\$4.76
P1030E	T200 REVERSE EZ CLEAN HSG w/DAMPER	\$65.43	P1124	GU10 LAMP SOCKET	\$7.77
P1021	V-LINE BLOWER COVER (PAN)	\$29.74	P1127	FLUORESCENT LIGHT DIFFUSER	\$11.90
<u>BLOWER SHIELDS</u>			<u>REPLACEMENT FILTERS</u>		
<u>PART NO.</u>	<u>DESCRIPTION</u>	<u>PRICE</u>	<u>PART NO.</u>	<u>DESCRIPTION</u>	<u>PRICE</u>
P1025	B100/T200 SHIELD, PAINTED	\$22.61	P1506	SS BAFFLE (16" x 20" x 1-1/2")	\$178.45
P1025E	B100 EZ CLEAN SHIELD, PAINTED	\$22.61	P1506A	SS BAFFLE (10" x 20" x 1-1/2")	\$208.19
P1025E-I	T200 EZ CLEAN SHIELD, PAINTED	\$22.61	P1530	M LINE BAFFLE FILTER - 12" x 12"	\$90.41
P1027	B100/T200 SHIELD, STAINLESS	\$22.61	P1531	M LINE FILTER FILLER PLATE - 6" x 12"	\$38.52
P1027E	B100 EZ CLEAN SHIELD, STAINLESS	\$22.61			
P1027E-I	T200 EZ CLEAN SHIELD, STAINLESS	\$22.61	<u>BACK DRAFT DAMPERS</u>		
P1024	B200/T400 SHIELD, PAINTED	\$29.74	<u>PART NO.</u>	<u>DESCRIPTION</u>	<u>PRICE</u>
P1024E	B200 EZ CLEAN SHIELD, PAINTED	\$29.74	P1031	MAGIC LUNG NYLON POLYMER DAMPER	\$5.95
P1024E-I	T400 EZ CLEAN SHIELD, PAINTED	\$29.74	P1040	B100/T200 METAL DAMPER	\$5.95
P1026	B200/T400 SHIELD, STAINLESS	\$29.74	P1041	B200 METAL DAMPER	\$5.95
P1026E	B200 EZ CLEAN SHIELD, STAINLESS	\$29.74	P1042	V-LINE DAMPER	\$8.33
P1026E-I	T400 EZ CLEAN SHIELD, STAINLESS	\$29.74			
P1610P	NICKEL SHIELD SCREW	\$4.76	<u>REMOTE BLOWER COMPONENTS</u>		
<u>SWITCHES AND CONTROLS</u>			<u>PART NO.</u>	<u>DESCRIPTION</u>	<u>PRICE</u>
<u>PART NO.</u>	<u>DESCRIPTION</u>	<u>PRICE</u>	P1425	REMOTE BLOWER SPEED CONTROL (HOOD)	\$69.00
P1431	SWITCH FOR SINGLE SPEED BLACK MOTOR	\$4.76	P1510	RM1000 BLOWER WHEEL	\$41.64
P1432	SWITCH FOR FLUORESCENT LIGHT	\$4.76	P1515	RM1000 MOTOR	\$243.88
P1433	SWITCH FOR TWO SPEED WHITE MOTOR	\$5.95	P1520	RM1500 BLOWER WHEEL	\$41.64
P1434	SWITCH FOR HALOGEN LIGHTS	\$5.95	P1525	RM1500 MOTOR	\$279.57
P1435	LED ROCKER SWITCH	\$5.95			
P1409	MOMENTARY SWITCH (TILT/TLH HOODS)	\$4.76	<u>OTHER MISCELLANEOUS ITEMS</u>		
P1418	DIMMER SWITCH (CAN LIGHTS)	\$35.70	<u>PART NO.</u>	<u>DESCRIPTION</u>	<u>PRICE</u>
P1419	ROTARY SWITCH (HEAT LIGHTS)	\$11.90	P1039	FLAP STAY FOR TILT/TLH HOODS	\$33.31
P1422	KNOB FOR ROTARY SWITCH (SET SCREW)	\$4.76	AW101	T-HANDLE, 1/8" ALLEN WRENCH	\$11.90
P1425	REMOTE BLOWER SPEED CONTROL (HOOD)	\$69.00	AW102	STANDARD, 1/8" ALLEN WRENCH	\$1.19
P1460	ROTARY SWITCH - B100/LED LIGHTS	\$5.95	P1424	SENSASOURCE THERMOSTAT ASSY	\$14.28
P1465	ROTARY SWITCH - B200/T200/T400(2)	\$5.95	SS KIT	STAINLESS STEEL SCRATCH REPAIR KIT	\$9.52
P1470-1	MAGIC LUNG ROTARY BLOWER KNOB	\$8.33	SS64	STAINLESS STEEL MAGIC (CAN)	\$14.28
P1475-1	MAGIC LUNG ROTARY LIGHT KNOB	\$8.33	CP101	RED BEAR® COPPER POLISH	\$14.28
P1350-1	DIMMER PACK FOR INTEGRATED LED BULB	\$11.63	P1316	3-1/4" x 10" COLLAR FOR V-LINE	\$11.90
			P1317	BACK PLATE FOR V-LINE	\$5.95

*VentA Hood*<sup>®</sup>



Distinctive  
Appliances

---

Distributing<sup>INC.</sup>

51155 Grand River Avenue  
Wixom Michigan 48393

**TELEPHONE: 844.380.2007**