

NEW

CELESTIA 6233

62" x 33" x 24" (FREESTANDING)

Celestia™ is feminine, ethereal and strong. As a beautiful work of art in a museum, Celestia is the center piece of any bathroom, a jewel that captures attention and pleases the eye.



PRODUCT NO.


DESCRIPTION	TUB
Freestanding	BCE50F00F

TUB
Soaker



\$5,500

FEATURES

Installation type		Freestanding	
No. of bathers	1	Imp. gallons	47
US gallons	57	Armrests	2
INTEGRATED WASTE & OVERFLOW BOVERINI-XX p.10			
White 01, Chrome 07, Brushed Nickel 09, Polished Nickel 10		Installed & Included	
STANDARD COLOR p.13			
	White 01		Included
FINISH			
Satin Finish		Included	

OPTIONS (UPCHARGE APPLICABLE)

INTEGRATED WASTE & OVERFLOW BOVERINI-XX p.10	
Matte Black 19, Satin Brass 18	\$295
ISLAND TUB DRAIN™ * p.11	
Island Tub Drain™ BSLDD	\$218
Cast Iron Island Tub Drain™ BSLDDCI	\$260
IF REQUIRED BY CONSTRUCTION CODE	
Brass waste kit BDRCB	\$50



* An Island Tub Drain™ is required when there is **no access under the bath**.

TO ORDER

You will find all order forms on www.bainultra.com/extranet
Or send your request to orderdesk@bainultra.com



Made with FineStone™

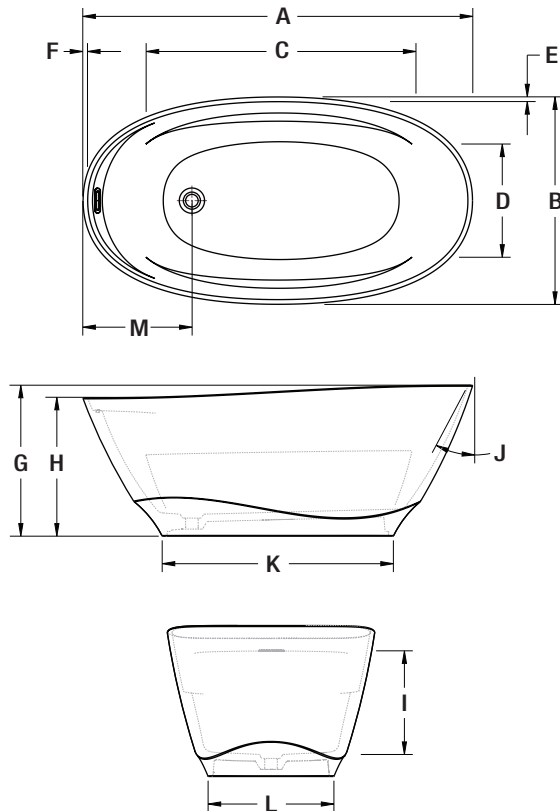
FineStone is a high quality solid surface material composed of refined minerals and pure acrylic. Pushing the limits of design and technology, FineStone was developed in order to realize a new world of design possibilities. It's satin finish is easy to clean and will maintain its properties through time.



CELESTIA 6233 (FREESTANDING)



INSTALLATION



LETTER	DESCRIPTION	MEASURE
A	Total length	62"
B	Total width	33"
C	Bathing well length	42 7/8"
D	Bathing well width	24 1/4"
E	Deck width	3/4"
F	Deck width at headrest	3/4"
G	Total maximal height	24"
H	Total minimal height	22"
I	Maximum water level	16 1/2"
J	Slope of backrest	28°
K	Base length	36 3/4"
L	Base width	20"
M	Outer edge to center of drain	17 5/16"

TECHNICAL SPECIFICATIONS

Other Faucet must be freestanding or wall-mounted.

Our products must be installed by certified professionals only and according to our Installation Instructions as well as federal, provincial/state and local building codes and regulations (www.bainultra.com/documentation/documentation).

Cutting template # 90000084

Approx. shipping weight 300 lbs

WARRANTY

Bath 20 years

* Some restrictions apply | www.bainultra.com/warranty



The specifications shown indicate the outer edge dimension and the inside bathing capacity. The manufacturer accepts a 1/4" [0.64 cm] variance. There are variations on each product and specifications are subject to change as we improve upon our product as required. The dimensions needed for site preparation and structure building will differ. BainUltra® assumes no responsibility for preparatory work done prior to the product being on site.