

ARROW-GRAM



October 9, 2020



NEW MODEL LAUNCH

WCN1 Rounded Front Chimney Range Hood

BEST® introduces the new WCN1 Series Chimney Hood.



These hood's offer a sleek, gently curving profile to match perfectly with your modern décor. The powerful 4-speed blower with 685 MAX CFM quickly eliminates smoke and odors to keep your kitchen fresh and clean. Brilliant LED lighting with three intensity options and attractive, dishwasher-safe filters with quick-release latches make this hood a pleasure to use.

Model Number	Description	List Price	MAP
WCN1306SS	30" Chimney Range Hood	\$833	\$749
WCN1366SS	36" Chimney Range Hood	\$944	\$849

The detailed features and accessories are listed on the attached sell sheet.

Please contact your Territory Sales Manager if you have any questions regarding the information provided in this ArrowGram.



Sleek curved design to perfectly match your modern decor.

4-speed high performance blower features a MAX blower CFM of 685.

Integrated LED modules provide even lighting over the cooktop with 3 intensities.

Quick release, dishwasher-safe mesh grease filters ensure clean, fresh kitchen. Upgrade to optional high-performance baffle filters.

Optional flue extension available for 10' to 11' ceilings.

Works with optional Universal Make-Up Air Dampers.

Telescopic chimney for 8' to 9' ceiling features vents to allow non-ducted operation. Reversible design allows openings to be hidden in most ducted applications.

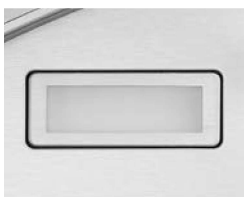
Model Numbers:

WCN1306SS

WCN1366SS



Tap-touch control features easy-to-clean surface.



LED modules evenly illuminate cooktop with three intensities.



Quick release mesh filters ensure a clean, fresh kitchen.



Upgrade to optional high-performance baffle filters.

Hood Sizes

Width 30", 36"

Depth 19-11/16"

Finish

Stocked Brushed Stainless Steel (Grade 430)
Special Order NA

Features

Lighting Type LED Modules (6-watts per module, color temp 3000K) 500 LUX

Number of Modules 2

Lighting Levels 3

Lighting Modules Included Yes

Control Type 4-speed Capacitive Control

Control Features Delay-off

Remote Control No

Filter Type Mesh with Decorative Stainless Steel Plate

Non-ducted Capability Yes

Hood Blower Included

Internal	
Max Blower CFM*	685
Sones Normal Setting**	0.9

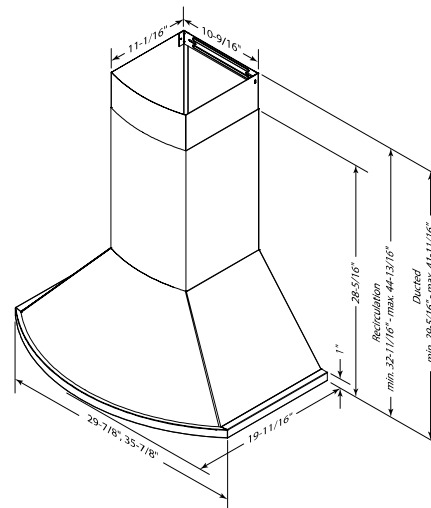
*MAX Blower CFM indicates the performance of the hood blower in open air.
**Normal setting corresponds to speed 1.

Accessories

10'-11' Flue extension (ducted—non-ducted)	AEWCN1SS
Recirculation Kit	ANKWCN1
Baffles Filters (set of 2)	AFBWCN1
Universal MUA Damper	MD6TU, MD8TU, MD10TU (Requires Fresh Air Inlet)
Fresh Air Inlet	641FA, 643FA, 610FA

Installation Requirements

Amps @ 120V: Internal Blower	3.9
Electrical Connection	Plug In
Duct Size: Internal Blower	8" Round V
Duct Direction	Vertical
Backdraft Damper	Included



Install hood so that the bottom of the unit is 24" to 30" above the cooking surface.

Telescopic flue accommodates ceiling heights from 8' to 9'. Flue extension for higher ceilings is also available.

Upper flue can be reversed to hide louvers in some applications depending on installation heights.

For more details or HVI rated performance for this model see the product specifications sheet found at www.BESTRangeHoods.com

