

TOTO : washlet

BROCHURE



ICON GUIDE

TOILET



3D TORNADO FLUSH™

Three powerful nozzles create a powerful centrifugal rinsing action and combines it with the conservation of 0.9 or 1.28 GPF.



CEFIONTECT™

An ultra-smooth ceramic glaze that leaves nowhere for waste to cling.



UNIVERSAL HEIGHT

Toilet height that allows for a more comfortable height position across a wide range of users.



SKIRTED DESIGN

The trapway is concealed by smooth porcelain, making the toilet easier to clean.

WASHLET



TOTO
washlet™

An electronic bidet seat featuring adjustable warm water cleansing, heated seat, dryer, deodorizer and much more.



AIR-IN WONDER WAVE™

Air rich water droplets to produce a more comfortable washing sensation and deliver more thorough cleansing with less water consumption.

washlet® +

WASHLET and toilet set with a concealed connection that is specially designed for a seamless installation.



EWATER+™

After each flush, EWATER+™ mists the wand and toilet bowl, reducing the need for harsh cleaning chemicals.



PREMIST™

PREMIST wets the surface of the toilet bowl, aiding in the removal of waste and resulting in a better clean.



AUTO OPEN/CLOSE LID

Eliminating the need to touch the toilet surfaces, the lid automatically opens and closes when the toilet is approached and departed.



DEODORIZER

Highly effective deodorizing automatically takes places inside the toilet bowl both during and immediately after use, leaving no disturbing odors.



HEATED SEAT

The moment you approach the toilet, the seat begins rapidly warming to a comfortable temperature.



WARM AIR DRYING

Enjoy the ease and comfort of drying with the temperature-adjustable warm-air dryer.

GENERAL FEATURES



ADA

Product complies with Americans with Disabilities Act guidelines.



WATERSENSE

Product that meets EPA standards for water efficiency and performance criteria.



CEC

Product meets California Energy Commission requirements.

CALGreen

Product meets CalGreen Water Regulations for new construction and permitted remodel.

DESIGN AWARDS



REDDOT

The Red Dot is the award for high design quality. The international jury only awards this sought-after seal of quality to products that feature an outstanding design.



GOOD DESIGN

The Good Design Awards is the world's oldest and most important industrial design program organized annually by the Chicago Athenaeum Museum.





TOTO . WASHLET

LIFE-CHANGING

That's how people describe the experience of using **WASHLET**® for the first time.

Once you discover the soothing comfort and sense of well-being that comes from cleansing yourself with a hygienic stream of warm aerated water,

you cannot imagine going back to just wiping with toilet paper.

TOTO.
washlet

50
MILLION

UNITS SOLD
WORLDWIDE

Note 1: EUROMONITOR INTERNATIONAL. Headquartered in London. Global leader in market surveys with experts in 100 countries.

Note 2: In 2018, Euromonitor International certified that "WASHLET is the world's No. 1 brand of electric toilet seats with bidet functions for 2017 in terms of sales volume. Euromonitor based its findings on custom research conducted from July 2018 - September 2018 in countries that account for more than an 87% share of the 2017 global market for electric toilet seats with bidet function.



No. 1.

WORLDWIDE BEST SELLER

WHAT'S THE BENEFIT?

Hygienic washing with WASHLET does what wiping with toilet paper can't. WASHLET by TOTO leaves you feeling clean and comfortable.

DID YOU KNOW?

An average person spends about 92 days of their life on a toilet. Why not spend it in comfort?

IS THE WAND CLEAN?

The wand is set at a 43° angle, and it washes itself inside and out with EWATER+* to maintain optimal cleanliness.



REAR SPRAY

REAR SOFT SPRAY

FRONT SPRAY

WIDE FRONT SPRAY

TOTO : washlet

CLEANSING FUNCTIONS



SCAN CODE
PLAY VIDEO

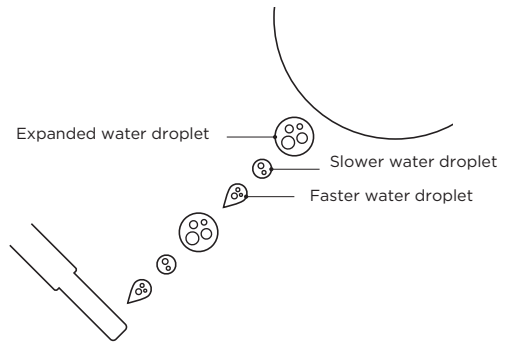
CLEANSING FUNCTIONS

WITH THE TOUCH OF A BUTTON, A WAND EXTENDS FROM UNDER THE SEAT FOR SOOTHING WARM-WATER CLEANSING.

How WASHLET® works



AIR-IN WONDER-WAVE® technology is the precise, pleasant, air-rich stream that keeps you clean. As water is fired at different speeds, small droplets collide with larger ones, combining and expanding as the droplets fill with more air. The injection of air enlarges water droplets by approximately 30%.



Select the type of cleansing you desire each time.



REAR SPRAY

The rear spray is designed to clean the rear intimate area. It features pleasant, yet strong water pressure to target this specific area.



REAR SOFT SPRAY

The rear soft spray has a larger radius to cover more area. Lower water pressure makes for a soft, comfortable spray.



FRONT SPRAY

The front spray consists of large, soft drops for comfortable intimate cleansing – for a clean, fresh feeling.



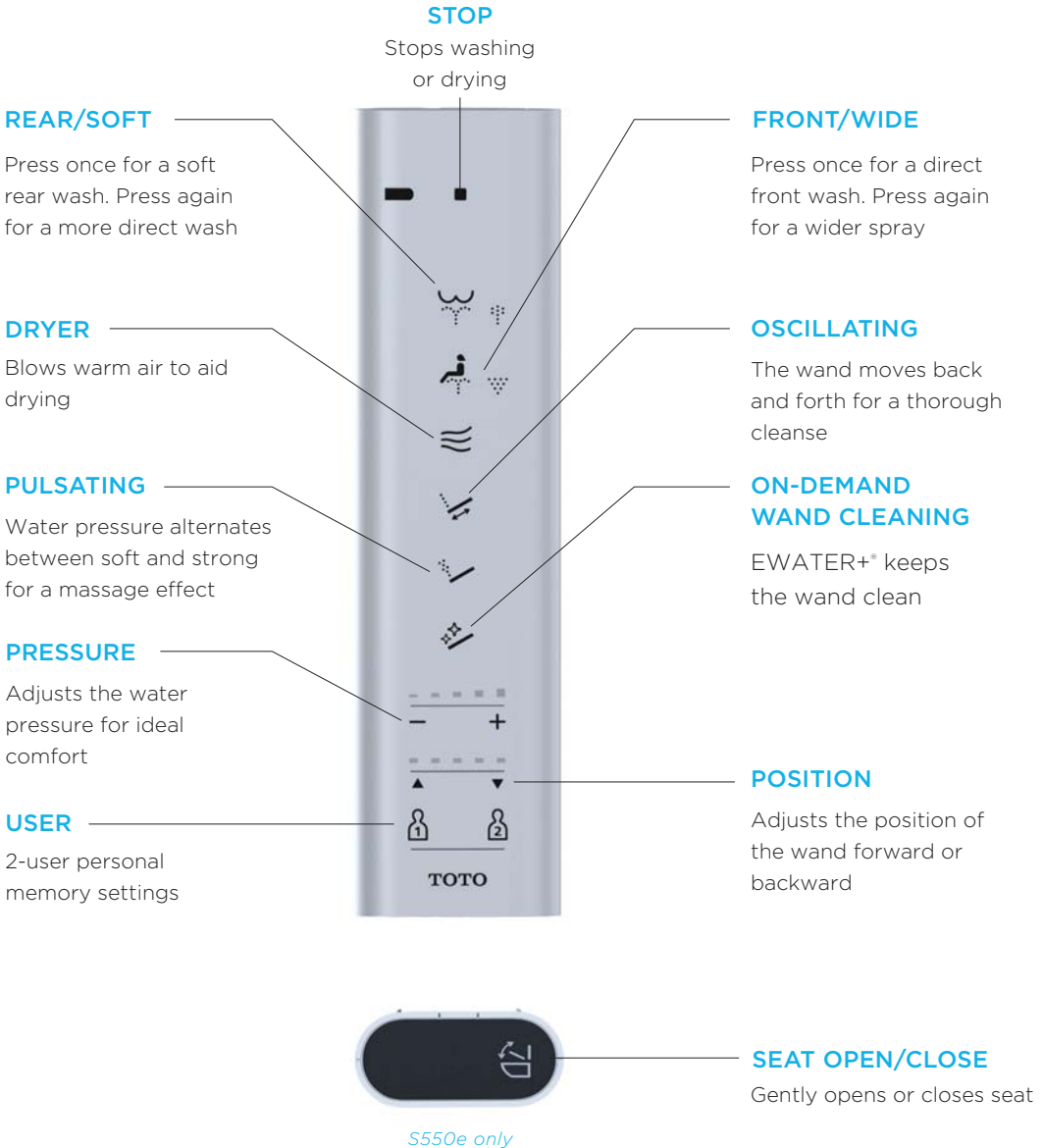
WIDE FRONT SPRAY

The wide soft spray has a larger radius to cover more area. Lower water pressure makes for a soft, comfortable spray.

HOW THE REMOTE CONTROL WORKS

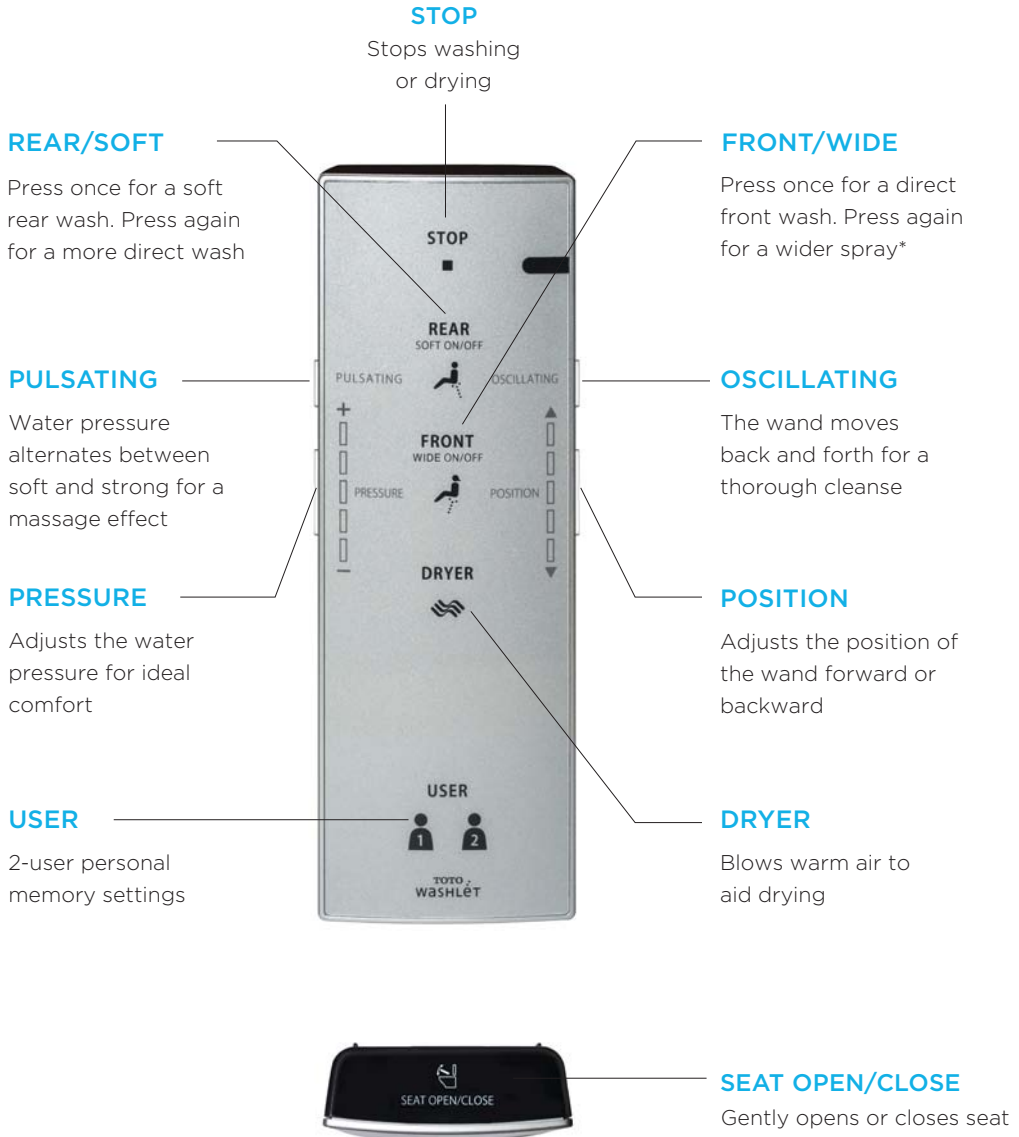
Easy and Convenient to Use.

WASHLET® S550e & S500e models



Interface of the remote control is subject to change.
Bracket available for wall-mounting.

WASHLET® S350e, S300e & C200 models



S350e only

*FRONT WIDE ON/OFF function only available on S350e/S300e

TOTO : WASHLET

TECHNOLOGIES



AUTOMATED CLEANLINESS AND COMFORT

WASHLET® is complete with functions designed for both comfort and hygiene, turning a mundane trip to the bathroom into a hygienic, spa-like experience.





AUTO OPEN / CLOSE LID



SCAN CODE
PLAY VIDEO

Eliminating the need to touch the toilet surfaces, the lid automatically opens and closes when the toilet is approached and departed.

**S550e and S350e only*



NIGHT LIGHT



SCAN CODE
PLAY VIDEO

Subdued lighting switches on when the toilet is approached, so users do not have to disturb themselves at night with a bright bathroom light.



EWATER+[®] FOR WAND



SCAN CODE
PLAY VIDEO

The wand washes itself inside and out with EWATER+
to maintain hygienic conditions.



EWATER+ FOR BOWL



SCAN CODE
PLAY VIDEO

Prevents the accumulation of waste on bowl.
EWATER+ reduces waste and dirt you can't see.



PREMIST®



SCAN CODE
PLAY VIDEO

Using the incoming water supply, PREMIST wets the surface of the toilet bowl, aiding in the removal of waste and resulting in a better clean.

**Not available on A100*



DEODORIZER



SCAN CODE
PLAY VIDEO

Highly effective deodorizing automatically takes place inside the toilet bowl both during and immediately after use, leaving no disturbing odors.

**Not available on A100*



HEATED SEAT



▶ SCAN CODE
PLAY VIDEO

The moment you approach the toilet, the seat begins rapidly warming to a comfortable temperature.






WARM AIR DRYING



▶ SCAN CODE
PLAY VIDEO






Enjoy the ease and comfort of drying with the temperature-adjustable warm-air dryer.

WASHLET® COMPARISON CHART

		G400	S550e	S500e
		MS920CEMFG (elongated)	SW3056 (elongated) SW3054 (elongated classic)	SW3046 (elongated) SW3044 (elongated classic)
				
	COLOR:	#01, #12	#01, #12	#01, #12
CLEANSE	AIR-IN WONDER WAVE	-	•	•
	REAR CLEANSE	•	•	•
	SOFT REAR CLEANSE	•	•	•
	FRONT CLEANSE	•	•	•
	WIDE FRONT CLEANSE	-	•	•
	OSCILLATING CLEANSE	•	•	•
	PULSATING CLEANSE	•	•	•
	INSTANTANEOUS WATER HEATING	-	•	•
	WATER PRESSURE CONTROL	5 SETTINGS	5 SETTINGS	5 SETTINGS
	WATER TEMPERATURE CONTROL	5 SETTINGS	5 SETTINGS	5 SETTINGS
	WAND POSITION ADJUSTMENT	•	•	•
AIR	AIR PURIFIER (DEODORIZER)	•	•	•
	AIR DRYER	•	•	•
	AIR TEMPERATURE CONTROL	5 SETTINGS	5 SETTINGS	5 SETTINGS
SEAT	HEATED SEAT	•	•	•
	HEATED SEAT TEMPERATURE CONTROL	5 SETTINGS	5 SETTINGS	5 SETTINGS
	SOFTCLOSE* SEAT AND LID	•	•	•
SENSOR	SEAT SENSOR	•	•	•
	Ⓞ AUTOMATIC OPEN AND CLOSE LID	•	•	-
	Ⓞ AUTOMATIC FLUSH	•	-	-
	NIGHT LIGHT	-	•	-
REMOTE CONTROL	REMOTE CONTROL	•	•	•
	REMOTE CONTROLLED SEAT	•	•	-
	REMOTE CONTROLLED FLUSH	•	-	-
HYGIENE	REMOVABLE LID	•	•	•
	Ⓞ CEFIONTECT	•	-	-
	Ⓞ EWATER+®	-	•	•
	Ⓞ PREMIST	•	•	•
	WAND CLEANING MODE	•	•	•
	SELF-CLEANING WAND	•	•	•
ENERGY SAVING	ENERGY-SAVE TIMER	3, 6, 9 HOURS	3, 6, 9 HOURS	3, 6, 9 HOURS
	AUTO ENERGY SAVER	•	•	•
	ON / OFF BUTTON	•	•	•
*washlet+		-	•	•

*WASHLET+ is a seat and toilet system designed to conceal the supply connections. Please refer to the WASHLET+ Brochure for more details.

NEW ROUND MODELS

S350e	S300e	C200	C100	A100
SW583 (round)	SW573 (round)	SW2044 (elongated) SW2043R (round)	SW2034 (elongated) SW2033R (round)	SW2014 (elongated)
				
#01, #12	#01, #12	#01, #12	#01, #12	#01
-	-	-	-	-
•	•	•	•	•
•	•	•	•	•
•	•	•	•	•
•	•	-	-	-
•	•	•	•	•
•	•	•	-	-
•	•	-	-	-
5 SETTINGS	5 SETTINGS	5 SETTINGS	5 SETTINGS	5 SETTINGS
5 SETTINGS	5 SETTINGS	5 SETTINGS	3 SETTINGS	3 SETTINGS
•	•	•	•	•
•	•	•	•	-
•	•	•	•	-
5 SETTINGS	5 SETTINGS	5 SETTINGS	3 SETTINGS	-
•	•	•	•	•
5 SETTINGS	5 SETTINGS	5 SETTINGS	3 SETTINGS	3 SETTINGS
•	•	•	•	•
•	•	•	•	•
•	-	-	-	-
-	-	-	-	-
•	-	-	-	-
•	•	•	SIDE PANEL	SIDE PANEL
•	-	-	-	-
-	-	-	-	-
•	•	•	•	•
-	-	-	-	-
•	•	-	-	-
•	•	•	•	-
•	•	•	•	•
•	•	•	•	•
3, 6, 9 HOURS	3, 6, 9 HOURS	-	-	-
•	•	•	•	•
•	•	-	-	-
-	-	•	•	-



NEXUS[®] WASHLET⁺ S550e ONE-PIECE TOILET;
MW6423056CUFGA



WASHLET S550e/S500e CONTEMPORARY

SW3056 (Elongated)
SW3046 (Elongated)



reddot award 2020
winner



- High-tech electronic bidet seat
- Elongated front WASHLET toilet seat with cover
- EWATER+® on wand and bowl
- AIR-IN WONDER-WAVE® technology is the precise, pleasant, air rich stream that keeps you clean
- PREMIST® of bowl before each use
- Auto open/close lid (*Only WASHLET S550e*)
- Remote control operated
- Front and rear warm water washing with adjustable temperature and pressure controls
- Heated seat with temperature control
- Automatic air deodorizer
- Warm air dryer
- Illuminated touch pad
- 2 user memory
- Night light (*Only WASHLET S550e*)
- SOFTCLOSE® Seat
- Quick release feature
- Mounting and connection hardware included

WASHLET S550e/S500e CLASSIC

SW3054 (Elongated)
SW3044 (Elongated)



- High-tech electronic bidet seat
- Elongated front WASHLET toilet seat with cover
- EWATER+ on wand and bowl
- AIR-IN WONDER-WAVE technology is the precise, pleasant, air rich stream that keeps you clean
- PREMIST of bowl before each use
- Auto open/close lid (*Only WASHLET S550e*)
- Remote control operated
- Front and rear warm water washing with adjustable temperature and pressure controls
- Heated seat with temperature control
- Automatic air deodorizer
- Warm air dryer
- Illuminated touch pad
- 2 user memory
- Night light (*Only WASHLET SW3054*)
- SOFTCLOSE Seat
- Quick release feature
- Mounting and connection hardware included

AVAILABLE COLORS

#01
Cotton

#12
Sedona Beige



ULTRAMAX® II ONE-PIECE TOILET
WITH WASHLET® S350e

WASHLET S350e

SW583 (Round)



- High-tech electronic bidet seat
- WASHLET® cleansing with 5 water pressure settings
- EWATER+® technology
- PREMIST® of bowl before each use
- Front and rear cleanse
- SOFTCLOSE® seat
- Adjustable water and seat temperatures
- Oscillating spray option
- Warm-air dryer
- Built-in air deodorizing system
- Instantaneous water heating
- 2 user memory
- Quick release feature
- Auto open/close lid
- Night light

WASHLET S300e

SW573 (Round)



- High-tech electronic bidet seat
- WASHLET cleansing with 5 water pressure settings
- EWATER+ technology
- PREMIST of bowl before each use
- Front and rear cleanse
- SOFTCLOSE seat
- Adjustable water and seat temperatures
- Oscillating spray option
- Warm-air dryer
- Built-in air deodorizing system
- Instantaneous water heating
- 2 user memory
- Quick release feature

AVAILABLE COLORS

#01
Cotton

#12
Sedona Beige

NEW ROUND MODEL

WASHLET C200

SW2044 (Elongated)
SW2043R (Round)



- High-tech electronic bidet seat
- Gentle aerated, warm water, dual action spray with oscillating and pulsating features
- PREMIST® of bowl before each use
- Front and rear cleanse
- SOFTCLOSE® seat
- Adjustable water temperature and pressure
- Warm air drying with five variable temperature settings
- Built-in air deodorizer
- Wireless remote with touch pad
- 2 user settings
- Adjustable seat temperature

NEW ROUND MODEL

WASHLET C100

SW2034 (Elongated)
SW2033R (Round)



- High-tech electronic bidet seat
- Gentle aerated, warm water, dual action spray with oscillating features
- PREMIST of bowl before each use
- Front and rear cleanse
- SOFTCLOSE seat
- Adjustable water temperature and pressure
- Warm air drying with three variable temperature settings
- Built-in air deodorizer
- Adjustable seat temperature

WASHLET A100

SW2014 (Elongated)



- High-tech electronic bidet seat
- Gentle aerated, warm water, dual action spray with oscillating features
- Front and rear cleanse
- SOFTCLOSE seat
- Adjustable water temperature and pressure
- Adjustable seat temperature
- Available only in #01 Cotton

AVAILABLE COLORS



#01 Cotton



#12 Sedona Beige



WASHLET G400
SMART TOILET
 MS920CEMFG



- 3D TORNADO FLUSH® system
- High-efficiency dual flush 1.28 & 0.9 GPF (4.8 & 3.4 LPF)
- CEFIONTECT® ceramic glaze
- Sleek, full skirted one-piece
- Elongated front bowl
- 12" rough-in
- Mounting and connection hardware included
- Universal height
- ADA compliant
- PREMIST® of bowl before each use
- WASHLET® cleansing with 5 water pressure settings
- Front and rear cleanse
- Adjustable water and seat temperatures
- Oscillating spray option
- Warm-air dryer
- Built-in air deodorizing system
- Auto open/close lid
- Hands-free automatic flush
- Meets Watersense® efficiency and performance standards

**AVAILABLE
 COLORS**



#01
 Cotton



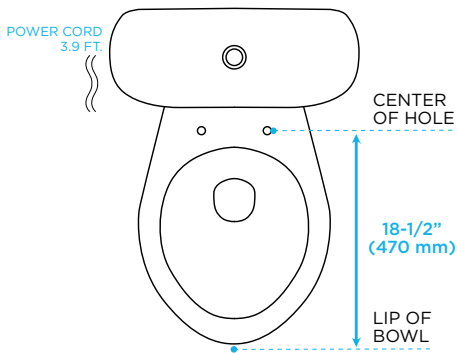
#12
 Sedona Beige

WASHLET® INSTALLATION REQUIREMENTS

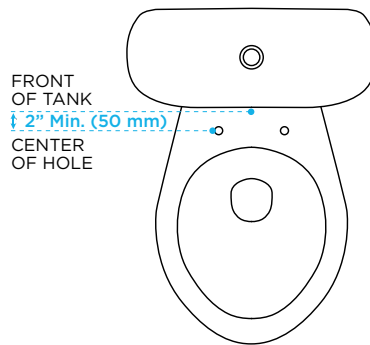
When your existing toilet is in need of an upgrade.

The following four-part diagram details the approximate measurements and requirements for installing most WASHLET models on existing toilets. Note that some styles of toilets may not allow the WASHLET to fit properly due to certain contours where the tank meets the bowl.

ELONGATED FRONT WASHLET



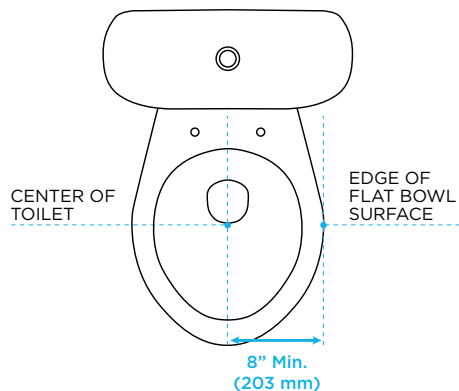
1. Elongated seats approximately 18-1/2 inches (470 mm) from mounting holes to front of bowl.



2. Minimum of 2 inches (50 mm) from front face of tank to the center of mounting holes.

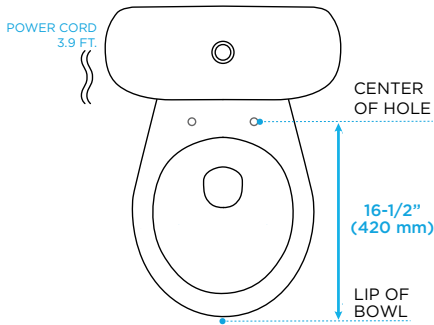


3. Approximately 5-1/2 inches (140 mm) from the centers of the seat mounting holes.

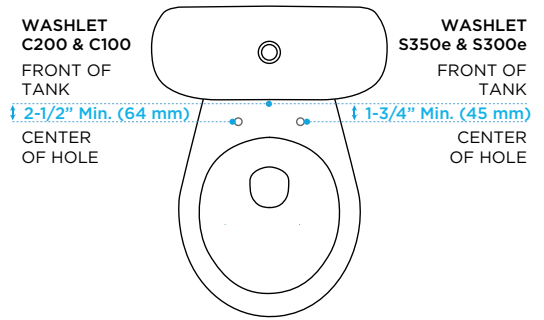


4. Minimum of 8 inches (203 mm) of open space from center of toilet to edge of flat bowl surface.

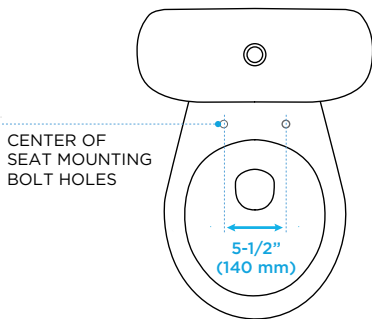
ROUND FRONT WASHLET



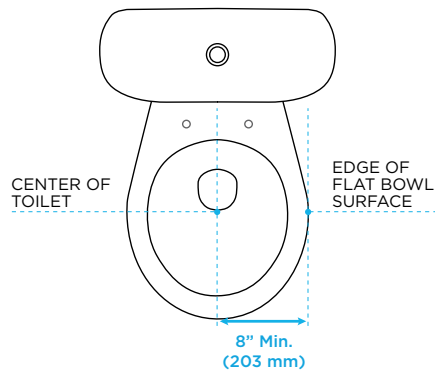
1. Round seats approximately 16-1/2 inches (420 mm) from mounting holes to front of bowl.



2. Minimum requirement for front face of tank to the center of mounting holes:
C100 & C200: 2-1/2 inches (64 mm)
S350e & S300e: 1-3/4 inches (45 mm)



3. Approximately 5-1/2 inches (140 mm) from the centers of the seat mounting holes.



4. Minimum of 8 inches (203 mm) of open space from center of toilet to edge of flat bowl surface.

TOTO : WASHLET

SCAN CODE NOW
FOR DIGITAL WASHLET® BROCHURE



CATALOG.TOTOUSA.COM

TOTO USA, INC.
1155 SOUTHERN ROAD
MORROW, GA 30260
800-350-8686

www.washlet.com
www.totousa.com

#KO-082020-WB
Printed in the U.S.A. 08/20

WASHLET and "WASHLET logo" are registered trademarks of TOTO LTD.