



Sleek curved design to perfectly match your modern decor.

4-speed high performance blower features a MAX blower CFM of 685.

Integrated LED modules provide even lighting over the cooktop with 3 intensities.

Quick release, dishwasher-safe mesh grease filters ensure clean, fresh kitchen. Upgrade to optional high-performance baffle filters.

Optional flue extension available for 10' to 11' ceilings.

Works with optional Universal Make-Up Air Dampers.

Telescopic chimney for 8' to 9' ceiling features vents to allow non-ducted operation. Reversible design allows openings to be hidden in most ducted applications.

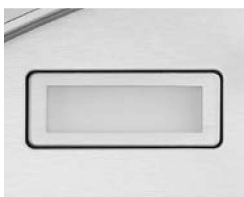
**Model Numbers:**

WCN1306SS

WCN1366SS



Tap-touch control features easy-to-clean surface.



LED modules evenly illuminate cooktop with three intensities.



Quick release mesh filters ensure a clean, fresh kitchen.



Upgrade to optional high-performance baffle filters.

**Hood Sizes**

**Width** 30", 36"

**Depth** 19-11/16"

**Finish**

Stocked Brushed Stainless Steel (Grade 430)  
Special Order NA

**Features**

Lighting Type LED Modules (6-watts per module, color temp 3000K) 500 LUX

Number of Modules 2

Lighting Levels 3

Lighting Modules Included Yes

Control Type 4-speed Capacitive Control

Control Features Delay-off

Remote Control No

Filter Type Mesh with Decorative Stainless Steel Plate

Non-ducted Capability Yes

**Hood Blower Included**

Internal	
Max Blower CFM*	685
Sones Normal Setting**	0.9

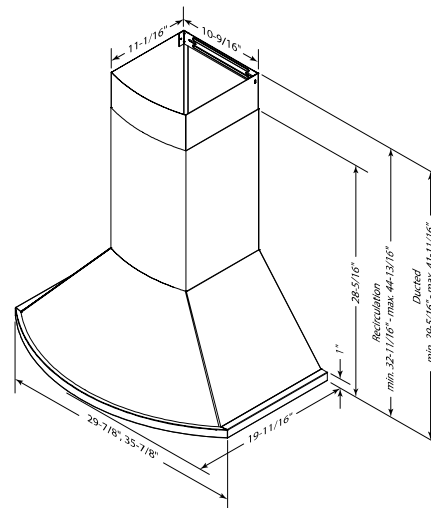
\*MAX Blower CFM indicates the performance of the hood blower in open air.  
\*\*Normal setting corresponds to speed 1.

**Accessories**

10'-11' Flue extension (ducted—non-ducted)	AEWCN1SS
Recirculation Kit	ANKWCN1
Baffles Filters (set of 2)	AFBWCN1
Universal MUA Damper	MD6TU, MD8TU, MD10TU (Requires Fresh Air Inlet)
Fresh Air Inlet	641FA, 643FA, 610FA

**Installation Requirements**

Amps @ 120V: Internal Blower	3.9
Electrical Connection	Plug In
Duct Size: Internal Blower	8" Round V
Duct Direction	Vertical
Backdraft Damper	Included



Install hood so that the bottom of the unit is 24" to 30" above the cooking surface.

Telescopic flue accommodates ceiling heights from 8' to 9'. Flue extension for higher ceilings is also available.

Upper flue can be reversed to hide louvers in some applications depending on installation heights.

For more details or HVI rated performance for this model see the product specifications sheet found at [www.BESTRangeHoods.com](http://www.BESTRangeHoods.com)



**Performance is a beautiful thing.**

It can be subtle or bold. It can take months or years to hone.  
Then impress you in an instant.

A great performance gives the audience exactly what they want and more than they ever imagined. And it inspires everyone and everything around it to be better.

At **BEST**, we make high performance range hoods that perform beautifully. Astonishingly quiet. Impressively effective. Remarkably efficient. And perfectly suited for the most distinguished kitchens.

Whether it's the centerpiece of the room or letting its surroundings shine, **BEST** is where high-end performance inspires.

**best**<sup>®</sup>

**PERFORMANCE THAT INSPIRES**