



# BROADWAY COLLECTION

Frameless Bevel (BV) or Polished Edge (PE)



Single Door

Product Code	Overall Door Dimensions	Recessed Rough Wall Opening	Door Style	List Price
 SD1519RBRDBV	15" x 19"	14 <sup>3</sup> / <sub>8</sub> " x 18"	Bevel	\$475
 SD1519RBRDPE			Polished	\$475
 SD1525RBRDBV	15" x 25"	14 <sup>3</sup> / <sub>8</sub> " x 24"	Bevel	\$510
 SD1525RBRDPE			Polished	\$510
 SD1530RBRDBV	15" x 30"	14 <sup>3</sup> / <sub>8</sub> " x 29 <sup>3</sup> / <sub>8</sub> "	Bevel	\$545
 SD1530RBRDPE			Polished	\$545
 SD1536RBRDBV	15" x 36"	14 <sup>3</sup> / <sub>8</sub> " x 35 <sup>3</sup> / <sub>8</sub> "	Bevel	\$635
 SD1536RBRDPE			Polished	\$635
 SD2026RBRDBV	20" x 26"	19 <sup>3</sup> / <sub>8</sub> " x 25 <sup>3</sup> / <sub>8</sub> "	Bevel	\$575
 SD2026RBRDPE			Polished	\$575
 SD2030RBRDBV	20" x 30"	19 <sup>3</sup> / <sub>8</sub> " x 29 <sup>3</sup> / <sub>8</sub> "	Bevel	\$610
 SD2030RBRDPE			Polished	\$610
 SD2036RBRDBV	20" x 36"	19 <sup>3</sup> / <sub>8</sub> " x 35 <sup>3</sup> / <sub>8</sub> "	Bevel	\$710
 SD2036RBRDPE			Polished	\$710
 SD2430RBRDBV	24" x 30"	23 <sup>3</sup> / <sub>8</sub> " x 29 <sup>3</sup> / <sub>8</sub> "	Bevel	\$660
 SD2430RBRDPE			Polished	\$660
 SD2436RBRDBV	24" x 36"	23 <sup>3</sup> / <sub>8</sub> " x 35 <sup>3</sup> / <sub>8</sub> "	Bevel	\$770
 SD2436RBRDPE			Polished	\$770

**HIGHLIGHTS**

- Single, double and triple door medicine cabinets
- Beveled edge 3/4" (BV), Polished edge (PE)
- 3-mirror design (front, back of cabinet & behind door)

- Gray satin anodized aluminum construction
- 3/8" high-polished tempered adjustable glass shelves
- Euro style 6-way adjustable hinges
- Recessed or Optional Surface Mount Kit

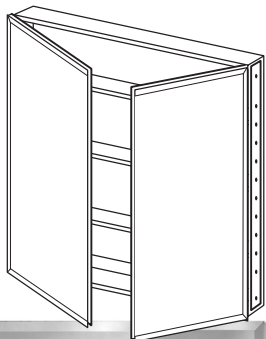





 UPS and FedEx Ground require a \$25 per box foam packing fee.

MEDICINE CABINETS



# BROADWAY COLLECTION

Frameless Bevel (BV) or Polished Edge (PE)

	Product Code	Overall Door Dimensions	Recessed Rough Wall Opening	Door Style	List Price
<b>Double Door</b>  	 DD2519RBRDBV	25" x 19" (2 equal doors)	24" x 18"	Bevel	\$595
	 DD2519RBRDPE			Polished	\$595
	 DD3121RBRDBV	31" x 21" (2 equal doors)	30" x 20"	Bevel	\$660
	 DD3121RBRDPE			Polished	\$660
	DD2830RBRDBV	28" x 30" (10" door & 18" door)	27 <sup>3</sup> / <sub>8</sub> " x 29 <sup>3</sup> / <sub>8</sub> "	Bevel	\$770
	DD2830RBRDPE			Polished	\$770
	DD3030RBRDBV	30" x 30" (12" door & 18" door)	29 <sup>3</sup> / <sub>8</sub> " x 29 <sup>3</sup> / <sub>8</sub> "	Bevel	\$785
	DD3030RBRDPE			Polished	\$785

**MEDICINE CABINETS**

**HIGHLIGHTS**

- Single, double and triple door medicine cabinets
- Beveled edge 3/4" (BV), Polished edge (PE)
- 3-mirror design (front, back of cabinet & behind door)


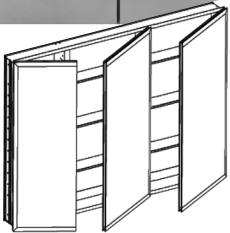
- Gray satin anodized aluminum construction
- 3/8" high-polished tempered adjustable glass shelves
- Euro style 6-way adjustable hinges
- Recessed or Optional Surface Mount Kit

 UPS and FedEx Ground require a \$25 per box foam packing fee.



# BROADWAY COLLECTION

Frameless Bevel (BV) or Polished Edge (PE)

		Product Code	Overall Door Dimensions	Recessed Rough Wall Opening	Door Style	List Price
 <p>Triple Door</p> 		TD3630RBRDBV	36" x 30"	35 <sup>3</sup> / <sub>8</sub> " x 29 <sup>3</sup> / <sub>8</sub> "	Bevel	\$1,125
		TD3630RBRDPE	3 doors 10 <sup>1</sup> / <sub>2</sub> " - 15" - 10 <sup>1</sup> / <sub>2</sub> "		Polished	\$1,125
		TD4830RBRDBV	48" x 30"	47 <sup>3</sup> / <sub>8</sub> " x 29 <sup>3</sup> / <sub>8</sub> "	Bevel	\$1,250
		TD4830RBRDPE	3 doors 15" - 18" - 15"		Polished	\$1,250
		TD4836RBRDBV	48" x 36"	47 <sup>3</sup> / <sub>8</sub> " x 35 <sup>3</sup> / <sub>8</sub> "	Bevel	\$1,395
		TD4836RBRDPE	3 doors 15" - 18" - 15"		Polished	\$1,395

	Product Code	Height Dimension	List Price
<p><b>Optional Surface Mount Kits</b> contain mirrored sides and hanging hardware.</p>	MSK--BRD-19	19" high	\$75
	MSK-BRD-21	21" high	\$80
	MSK-BRD-25	25" high	\$85
	MSK-2BRD-6	26" high	\$90
	MSK-BRD-30	30" high	\$95
	MSK-BRD-36	36" high	\$100
<p><b>Optional Ganging Kits</b></p>	GMC	Contains two support brackets w/screws to join two cabinets, side by side. Additional kits needed for more cabinets.	\$30

**HIGHLIGHTS**

- Single, double and triple door medicine cabinets
- Beveled edge 3/4" (BV), Polished edge (PE)
- 3-mirror design (front, back of cabinet & behind door)
- Gray satin anodized aluminum construction
- 3/8" high-polished tempered adjustable glass shelves
- Euro style 6-way adjustable hinges
- Recessed or Optional Surface Mount Kit