

LIEBHERR

Quality, Design and Innovation



Price Guide

Effective
June 2020

ALMO[®]
Premium Appliances
Distribution on a *Personal Level*

LIEBHERR

Quality, Design and Innovation

Over 65 years of producing high-quality products

Liebherr is a third-generation, family-owned company founded by Hans Liebherr in 1949, with the creation of the first-ever tower crane. With more than 65 years of success, Liebherr has become synonymous with the equipment needed to build homes, and the appliances within them.

As one of the world's largest manufacturers of construction machinery, Liebherr has expanded to eleven divisions with a wide array of product areas, including: earthmoving, mining, mobile cranes, tower cranes, concrete technology, maritime cranes, aerospace and transportation systems, machine tools and automation systems, components, hotels, and refrigeration products.

Liebherr Group currently employs over 42,000 persons in more than 130 companies spanning 50 countries worldwide. Liebherr Appliances is Europe's largest privately owned manufacturer of refrigerators and freezers for residential and commercial use, with an annual production of over 2.1 million units.



Why Buy **Liebherr**?



German Quality & Heritage

Liebherr is a world leader in developing premium quality cooling and refrigeration technologies. Our German-engineered products are acclaimed for advanced food preservation, design flexibility, maximum energy efficiency, and ease of use. Headquartered in Germany since 1954, Liebherr Appliances distributes the widest range of European refrigeration and freezing solutions around the globe. Liebherr continues to research and develop products that match or exceed, not only the standards we set for ourselves, but also the quality our loyal customers have come to expect.



Silent Operation

Liebherr appliances are some of the quietest in the industry – as quiet as a library. Variable speed compressors are always operating at optimal capacity, ensuring maximum food preservation with quiet operation. Combined with soft-start technology, these compressors offer quiet operation and minimal electrical surge at start-up. Every new product is tested in our professional sound chambers to ensure that noise levels are kept to an industry low 40 dB(A).



Advanced Food Preservation

Foods preserved in ideal storage temperatures and perfect air humidity will preserve their vitamins, nutrients, flavors, and aromas for far longer, which is the key to achieving a healthy lifestyle. Liebherr's advanced food preservation technologies guarantee the perfect environments for all kinds of foods. BioFresh, SuperCool, SuperFrost and DuoCooling are just a few examples of performance enhancing features that contribute to superior, long-lasting food freshness.



ActiveGreen® Initiative

Energy efficiency is at the heart of our ActiveGreen® commitment, and it is reflected in every aspect of our design and manufacturing process. An industry trailblazer in green manufacturing, Liebherr utilizes progressive practices such as recovering and reutilizing energy to heat buildings, using 100% recyclable packaging, and using purified water to ensure that production is pollution free; all with the goal of having the least damaging effect on the environment.



Better Use of Space

Our innovative food storage features allow for the optimal storing of products, for quick and easy access to your favorite foods while reducing food waste. Divisible and interchangeable glass/bottle shelves, FlexSystem, VarioSpace, and gallon storage on the door, are just some of the ways in which Liebherr refrigerators fit more foods and beverages into usable space.



Diverse Design Options

Liebherr appliances are designed to inspire awe and integrate seamlessly into your kitchen motif. Multiple size configurations, installation options and choice of stainless steel or personalized finishes allow for perfect integration into your dream kitchen. From refrigerators, to wine cabinets, to outdoor appliances; Liebherr appliances offer diverse refrigeration and freezing solutions for your home.





LIEBHERR

Quality, Design and Innovation

Freestanding/Semi Built-in	6
Ventilation Requirements for Pantry Models	12
Fully Integrated	14
Undercounter	22
Wine Cabinets	28
Design & Lifestyle	36
ACCESSORIES	38
SERVICE	43

Pricing, Terms and Conditions are subject to change without notice.

Not responsible for errors or omissions.

MAP pricing is pursuant to **Liebherr** MAP policy guidelines. Retailers set their own pricing.

ALMO[®]
Premium Appliances
www.premium.almo.com

Freestanding/Semi **Built-in**



CS-1210 Comfort



CS-1360B Comfort



	MSRP	MAP	BLDR	MSRP	MAP	BLDR
	\$2,099	\$1,999	\$1,899	\$2,449	\$2,299	\$2,199

Features		
Energy consum. (kWh/y) / Est. Yearly Energy Cost in US \$ *	370 / 44	480 / 58
Sound rating dB(A) **	42	42
Refrigerator capacity cu.ft. (l)	7.8 (220)	9.4 (267)
Freezer capacity cu.ft. (l)	3.3 (94)	3.3 (94)
Number of shelves / Number of door racks	4 / 4	5 / 4
Number of FrostSafe drawers	3	3
Number of fruit and vegetable drawers	2 with LED lighting	2 with LED lighting
Electronic control	MagicEye with LCD temp. display, touch electronic	MagicEye with LCD temp. display, touch electronic
Refrigerator temperature range °F (°C)	+36°F to +45°F (+2°C to +7°C)	+36°F to +45°F (+2°C to +7°C)
Freezer temperature range °F (°C)	+7°F to -17°F (-14°C to -27°C)	+7°F to -17°F (-14°C to -27°C)
Defrost type	automatic	automatic
Interior light	LED ceiling lighting	LED ceiling lighting
Ice Maker		fixed water connection
Ice cube output lbs. (kg)/24h / Ice cube stock lbs. (kg)		3.1 (1.4) / 6.6 (3.0)
Door hinges	right, reversible	right, reversible
Product dimensions (H/W/D) in. (cm)	71 11/16" / 23 5/8" / 24 13/16" (182/60/63)	79 9/16" / 23 5/8" / 24 13/16" (202/60/63)
Cut out dimensions (H/W/D) in. (cm)	73" / 24 1/16" / 24 1/16" (185.4/61/61)	80" / 24 1/16" / 24 1/16" (203.2/61/61)
Net weight lbs. (kg)	180.8 (82.0)	196.2 (89.0)
Voltage V/Hz	115/60	115/60

Hinge	Left	Right	Left	Right
	CS 1210-L	CS 1210	CS 1360B-L	CS-1360B

Available Accessories	BLDR		BLDR	
9096-034-00	Aftermarket External Water Filter Kit		\$169	
9901-555-00	Stainless Steel, 24", Side by side kit for 24"	\$339	Stainless Steel, 24", Side by side kit for 24"	\$339
9901-557-00	Stainless Steel, Oval Handle for 24" and 30" Free Standing	\$194	Stainless Steel, Oval Handle for 24" and 30" Free Standing	\$194
7113023-00	Bottle Rack CS-1210, CS-1321	\$24	Bottle Rack CS-1210, CS-1321	\$24

- Estimated energy cost will depend on utility rates and use. Estimated energy cost based on a national average electricity cost of 12 cents per kWh.
- Noise output – according to EN 60704-3.
- BioFresh bins temperatures 32°F (0°C).

Freestanding/Semi **Built-in**



CS-1321 Premium



CBS-1360 Premium



MSRP	MAP	BLDR	MSRP	MAP	BLDR
\$3,149	\$2,899	\$2,799	\$3,649	\$3,399	\$3,299

Features		
Energy consum. (kWh/y) / Est. Yearly Energy Cost in US \$ *	380 / 46	480 / 58
Sound rating dB(A) **	42	41
Refrigerator capacity cu.ft. (l)	9.4 (267)	8.7 (246)
BioFresh comp. cu.ft. (l)		3.0 (85)
Freezer capacity cu.ft. (l)	3.3 (94)	3.3 (94)
Number of shelves / Number of door racks	5 / 4	4 / 3
Number of FrostSafe drawers	3 with LED lighting	3 with LED lighting
Number of BioFresh drawers		2 with LED lighting
Number of fruit and vegetable drawers	1 with LED lighting	
Electronic control	MagicEye with LCD temp. display, touch electronic	MagicEye with LCD temp. display, touch electronic
Refrigerator temperature range °F (°C) ***	+36°F to +45°F (+2°C to +7°C)	+36°F to +45°F (+2°C to +7°C)
Freezer temperature range °F (°C)	+7°F to -17°F (-14°C to -27°C)	+7°F to -17°F (-14°C to -27°C)
Defrost type	automatic	automatic
Interior light	LED light column on both sides	LED light column on both sides
Ice Maker		fixed water connection
Ice cube output lbs. (kg)/24h / Ice cube stock lbs. (kg)		3.1 (1.4) / 6.6 (3.0)
SoftSystem / Door hinges	yes / left, reversible	yes / right, reversible
Product dimensions (H/W/D) in. (cm)	79 9/16" / 23 5/8" / 24 13/16" (202/60/63)	79 9/16" / 23 5/8" / 24 13/16" (202/60/63)
Cut out dimensions (H/W/D) in. (cm)	80" / 24 1/16" / 24 1/16" (203.2/61/61)	80" / 24 1/16" / 24 1/16" (203.2/61/61)
Net weight lbs. (kg)	200.6 (91.0)	213.8 (97.0)
Voltage V/Hz	115/60	115/60
Possible Side-by-Side combination	CS 1321 & CBS 1360	CS 1321 & CBS 1360

Hinge	Left	CS 1321	Right	CS 1321-R	Left	CBS-1360-L	Right	CBS-1360
-------	------	---------	-------	-----------	------	------------	-------	----------

Available Accessories	BLDR		BLDR	
9901-555-00	Stainless steel, 24", Side by side kit for 24"	\$339	Stainless steel, 24", Side by side kit for 24"	\$339
9900-368-00	48" Top Vent for 84" Installation	\$289	48" Top Vent for 84" Installation	\$289
9096-034-00	Aftermarket External water filter	\$169	Aftermarket External water filter	\$169

- Estimated energy cost will depend on utility rates and use. Estimated energy cost based on a national average electricity cost of 12 cents per kWh.
- Noise output – according to EN 60704-3.
- BioFresh bins temperatures 32°F (0°C).

Freestanding/Semi **Built-in**



CS-1400R Comfort



CS-1400R-IM/ CS-1401R-IM Comfort



MSRP	MAP	BLDR	MSRP	MAP	BLDR
\$2,299	\$2,099	\$1,999	\$2,399	\$2,199	\$2,099

Features		
Energy consum. (kWh/y) / Est. Yearly Energy Cost in US \$ *	380 / 46	465 / 56
Sound rating dB(A) **	42	42
Refrigerator capacity cu.ft. (l)	9.8 (277)	9.8 (277)
Freezer capacity cu.ft. (l)	3.0 (86)	3.0 (86)
Number of shelves / Number of door racks	4 / 4	4 / 4
Number of FrostSafe drawers	2	3
Number of fruit and vegetable drawers	2 with LED lighting	2 with LED lighting
Electronic control	MagicEye with LCD temp. display, touch electronic	MagicEye with LCD temp. display, touch electronic
Refrigerator temperature range °F (°C)	+36°F to +45°F (+2°C to +7°C)	+36°F to +45°F (+2°C to +7°C)
Freezer temperature range °F (°C)	+7°F to -17°F (-14°C to -27°C)	+7°F to -17°F (-14°C to -27°C)
Defrost type	automatic	automatic
Interior light	LED ceiling lighting	LED ceiling lighting
Ice Maker		fixed water connection
Ice cube output lbs. (kg)/24h / Ice cube stock lbs. (kg)		3.1 (1.4) / 5.5 (2.5)
SoftSystem / Door hinges	yes / right, reversible	yes / right, reversible
Product dimensions (H/W/D) in. (cm)	66 3/16" / 29 9/16" / 24 13/16" (168/75/63)	66 3/16" / 29 9/16" / 24 13/16" (168/75/63)
Cut out dimensions (H/W/D) in. (cm)	67" / 30" / 24 1/16" (170.1/76.2/61)	67" / 30" / 24 1/16" (170.1/76.2/61)
Net weight lbs. (kg)	205.0 (93.0)	211.6 (96.0)
Voltage V/Hz	115/60	115/60

Hinge	Left	Right	Left	Right
	CS 1400R-L	CS 1400R	CS-1401R-IM	CS 1400R-IM

Available Accessories	BLDR		BLDR	
9901-557-00	Stainless steel, Oval handle for 24" and 30" Free Standing	\$194	Stainless steel, Oval handle for 24" and 30" Free Standing	\$194
9901-521-00	60" Top vent for 1400R 67" to 72"	\$194	60" Top vent for 1400R 67" to 72"	\$194
9901-523-00	30" Top vent for 1400R 67" to 72"	\$149	30" Top vent for 1400R 67" to 72"	\$149
7113257-00	Bottle Rack	\$49	Bottle Rack	\$49
9901-555-00	Side by Side Kit	\$339	Side by Side Kit	\$339

- Estimated energy cost will depend on utility rates and use. Estimated energy cost based on a national average electricity cost of 12 cents per kWh.
- Noise output – according to EN 60704-3.
- BioFresh bins temperatures 32°F (0°C).

Freestanding/Semi **Built-in**



CS-1410 Comfort



CS-1640B Comfort



MSRP	MAP	BLDR	MSRP	MAP	BLDR
\$2,949	\$2,699	\$2,699	\$3,549	\$3,299	\$3,199

Features		
Energy consum. (kWh/y) / Est. Yearly Energy Cost in US \$ *	380 / 46	496 / 60
Sound rating dB(A) **	42	42
Refrigerator capacity cu.ft. (l)	11.7 (331)	11.7 (331)
Freezer capacity cu.ft. (l)	3.0 (86)	4.3 (121)
Number of shelves / Number of door racks	4 / 4	4 / 4
Number of FrostSafe drawers	2	4
Number of fruit and vegetable drawers	2 with LED lighting	2 with LED lighting
Electronic control	MagicEye with LCD temp. display, touch electronic	MagicEye with LCD temp. display, touch electronic
Refrigerator temperature range °F (°C)	+36°F to +45°F (+2°C to +7°C)	+36°F to +45°F (+2°C to +7°C)
Freezer temperature range °F (°C)	+7°F to -17°F (-14°C to -27°C)	+7°F to -17°F (-14°C to -27°C)
Defrost type	automatic	automatic
Interior light	LED ceiling lighting	LED ceiling lighting
Ice Maker		water tank
Ice cube output lbs. (kg)/24h / Ice cube stock lbs. (kg)		3.1 (1.4) / 4.4 (2.0)
SoftSystem / Door hinges	yes / right, reversible	yes / right, reversible
Product dimensions (H/W/D) in. (cm)	73 1/4" / 29 9/16" / 24 13/16" (186/75/63)	79 9/16" / 29 9/16" / 24 13/16" (202/75/63)
Cut out dimensions (H/W/D) in. (cm)	73 13/16" / 30" / 24 1/16" (187.4/76.2/61)	80" / 30" / 24 1/16" (203.2/76.2/61)
Net weight lbs. (kg)	213.8 (97.0)	235.9 (107.0)
Voltage V/Hz	115/60	115/60

Hinge	Left CS 1410-L	Right CS-1410	Left CS-1640B-L	Right CS-1640B
Available Accessories	BLDR		BLDR	
9901-555-00	Side by Side Kit	\$339	Side by Side Kit	\$339

- Estimated energy cost will depend on utility rates and use. Estimated energy cost based on a national average electricity cost of 12 cents per kWh.
- Noise output – according to EN 60704-3.
- BioFresh bins temperatures 32°F (0°C).

Freestanding/Semi **Built-in**



CBS-1660/ CBS-1661 Premium



CS-2080/CS-2081 PremiumPlus



MSRP	MAP	BLDR	MSRP	MAP	BLDR
\$4,199	\$3,799	\$3,699	\$6,399	\$5,799	\$5,499

Features		
Energy consum. (kWh/y) / Est. Yearly Energy Cost in US \$ *	488 / 59	532 / 64
Sound rating dB(A) **	41	45
Refrigerator capacity cu.ft. (l)	10.7 (303)	13.5 (382)
BioFresh comp. cu.ft. (l)	3.6 (103)	
Freezer capacity cu.ft. (l)	4.3 (121)	6.0 (170)
Number of shelves / Number of door racks	4 / 3	3 / 6
Number of FrostSafe drawers	4 with LED lighting	2 with LED lighting
Number of BioFresh drawers	2 with LED lighting	
Number of fruit and vegetable drawers		3 with LED lighting
Electronic control	MagicEye with LCD temp. display, touch electronic	MagicEye with digital temp. display, touch electronic
Refrigerator temperature range °F (°C) ***	+36°F to +45°F (+2°C to +7°C)	+36°F to +45°F (+2°C to +7°C)
Freezer temperature range °F (°C)	+7°F to -17°F (-14°C to -27°C)	+7°F to -17°F (-14°C to -27°C)
Defrost type	automatic	automatic
Interior light	LED light column on both sides	LED light column and LED ceiling lighting
Water filter		yes
Ice Maker	fixed water connection	fixed water connection
Ice cube output lbs. (kg)/24h / Ice cube stock lbs. (kg)	3.1 (1.4) / 4.4 (2.0)	3.1 (1.4) / 7.9 (3.6)
SoftSystem / Door hinges	yes / right, reversible	- / right
Product dimensions (H/W/D) in. (cm)	79 9/16" / 29 9/16" / 24 13/16" (202.7/75/63)	79 13/16" / 35 7/8" / 24 1/4" (202.7/91/61.5)
Cut out dimensions (H/W/D) in. (cm)	80" / 30" / 24 1/16" (203.2/76.2/61)	80" / 35 7/8" / 24 1/16" (203.2/91/61)
Net weight lbs. (kg)	255.7 (116.0)	374.8 (170.0)
Voltage V/Hz	115/60	115/60
Possible Side-by-Side combination	CBS 1661 & CBS 1660	

Hinge	Left	CBS-1661	Right	CBS-1660	Left	CS-2081	Right	CS-2080
-------	------	----------	-------	----------	------	---------	-------	---------

Available Accessories	BLDR		BLDR	
744000200	Replacement water filter	\$59	Replacement water filter	\$59
9901-555-00	Side by Side Kit	\$339		
9901-221			Side by Side Kit	\$564
9901-557-00	Stainless steel, Oval handle for 24" and 30", Free Standing	\$194	Stainless steel, Oval handle for 24" and 30", Free Standing	\$194

Freestanding/Semi **Built-in**



CS-2082 PremiumPlus



CBS-2082 PremiumPlus



MSRP	MAP	BLDR	MSRP	MAP	BLDR
\$6,949	\$6,399	\$5,999	\$7,549	\$6,899	\$6,499

Features		
Energy consum. (kWh/y) / Est. Yearly Energy Cost in US \$ *	533 / 64	528 / 63
Sound rating dB(A) **	44	44
Refrigerator capacity cu.ft. (l)	13.5 (382)	12.8 (365)
BioFresh comp. cu.ft. (l)		2.5 (69)
Freezer capacity cu.ft. (l)	6.0 (170)	6.0 (170)
Number of shelves / Number of door racks	3 / 6	4 / 6
Number of FrostSafe drawers	2 with LED lighting	2 with LED lighting
Number of BioFresh drawers		2 with LED lighting
Number of fruit and vegetable drawers	3 with LED lighting	
Electronic control	MagicEye with digital temp. display, touch electronic	MagicEye with digital temp. display, touch electronic
Refrigerator temperature range °F (°C) ***	+36°F to +45°F (+2°C to +7°C)	+36°F to +45°F (+2°C to +7°C)
Freezer temperature range °F (°C)	+7°F to -17°F (-14°C to -27°C)	+7°F to -17°F (-14°C to -27°C)
Defrost type	automatic	automatic
Interior light	LED light column and LED ceiling lighting	LED light column and LED ceiling lighting
Water filter	yes	yes
Ice Maker	fixed water connection	fixed water connection
Ice cube output lbs. (kg)/24h / Ice cube stock lbs. (kg)	3.1 (1.4) / 7.9 (3.6)	3.1 (1.4) / 7.9 (3.6)
Door hinges	left/right	left/right
Product dimensions (H/W/D) in. (cm)	80 5/16" / 35 7/8" / 24 1/4" (203.9/91/61.5)	80 5/16" / 35 7/8" / 24 1/4" (203.9/91/61.5)
Cut out dimensions (H/W/D) in. (cm)	80 9/16" / 36 1/16" / 24 1/16" (204.5/91.5/61)	80 9/16" / 36 1/16" / 24 1/16" (204.5/91.5/61)
Net weight lbs. (kg)	374.8 (170.0)	377.0 (171.0)
Voltage V/Hz	115/60	115/60

Available Accessories	BLDR	BLDR
744000200	Replacement water filter \$59	Replacement water filter \$59
9900-199-00	Decorative Top Grill for 36" French Door Refrigerator / Freezer for 84" Ht. \$244	Decorative Top Grill for 36" French Door Refrigerator / Freezer for 84" Ht. \$244

- Estimated energy cost will depend on utility rates and use. Estimated energy cost based on a national average electricity cost of 12 cents per kWh.
- Noise output – according to EN 60704-3.
- BioFresh bins temperatures 32°F (0°C).

Ventilation Requirements for **Pantry Models**

Ventilation Requirements

This is a fully integrated refrigerator-freezer which means that it is fully enclosed by a kitchen cabinet. This type of cabinet must be carefully constructed using the correct dimensions, and it must provide suitable ventilation to ensure proper appliance operation.

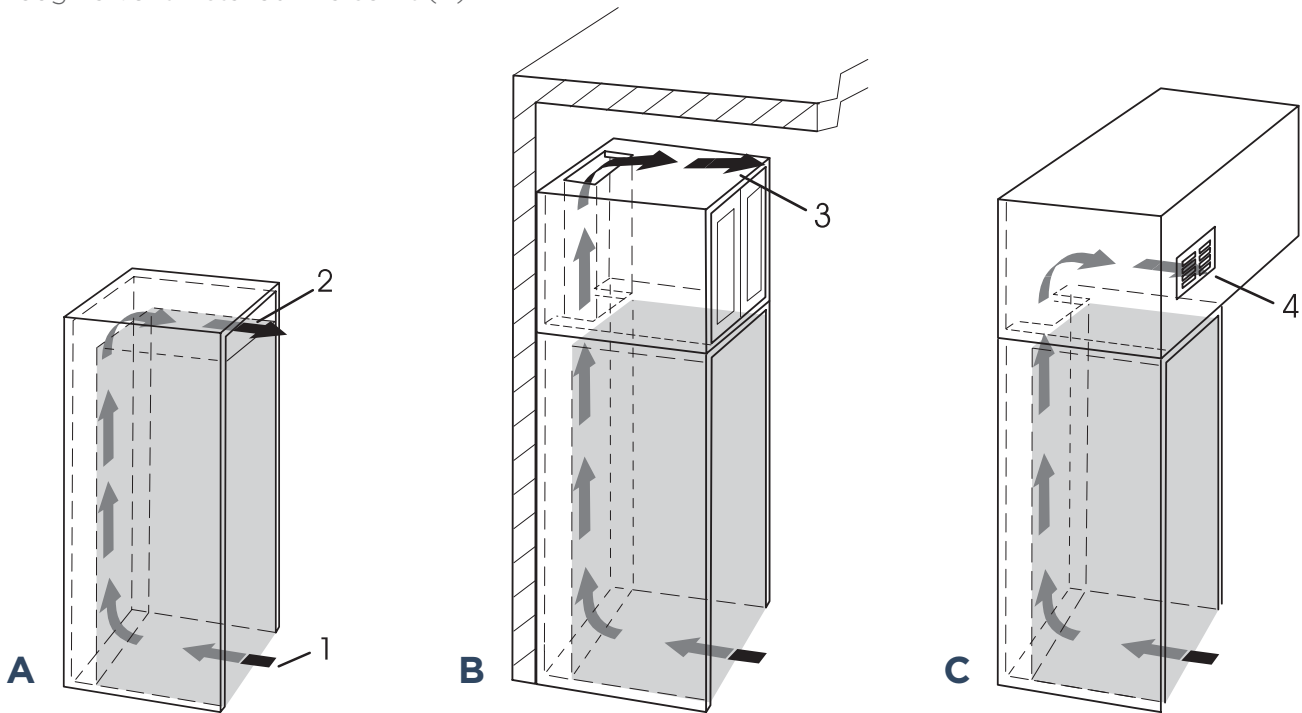
Kitchen Cabinet Airflow Creates Near Silent Operation

The following ventilation dimensions must be observed:

There must be a ventilation space at least 31 in. (200 cm) at the airflow inlet (1) and at the airflow outlet (2).

The top ventilation space can be directed in one of the following ways:

- A. Directly over the appliance (2) with a custom made vent.
- B. Above the cabinet and below the ceiling (3).
- C. Through a vent installed in a soffit (4).



Applies to models:

HC 1000B	HCB 1060	HW 3000	HWgb 5100
HC 1001B	HRB 1120	HWgb 3300	HWgw 5100
HC 1030	HF 861	HWgw 3300	HW 8000
HC 1050B	HW 4800	HWgb 8300	HWgw 8300

Icon Features

ADA Compliant

ADA compliant, designed to fit under counter heights between 32" and 34".

Ice Maker

Ice Maker automatic with fixed water connection produces perfect half-moon crescent ice cubes and keeps a constant supply on hand.

LED

LED lighting is energy efficient, long-lasting, and maintenance-free. It illuminates the refrigerator to ensure that your foods are visible.

Telescopic Rails

Telescopic rails a self-closing system for both freezer drawers ensures easy and convenient handling.

Soft System

SoftSystem integrated into the appliance door, cushions the door closure, thus eliminating slamming, even when the shelves are fully loaded.

Soft Telescopic

SoftTelescopic a highly practical self-retracting, self-closing feature - makes daily use convenient and secure.

Duo Cooling

DuoCooling controls the temperature in refrigerator/freezers with precision.

Tip Open

TipOpen technology is the perfect answer for hands-free kitchen designs. Tap lightly and the glass door partially opens.

Bio Fresh

BioFresh technology guarantees the perfect climate for superior, long-lasting freshness.

Bio Cool

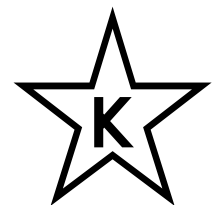
BioCool regulates humidity to keep fruits and vegetables fresher for longer.

Smart Steel

SmartSteel finish significantly reduces the visibility of fingerprints, is easy to clean, and is scratch resistant.



Energy Star helps reduce energy consumption and greenhouse emissions in an effort to reduce damaging effects on the environment.



Star-K, certain models are certified as Sabbath compliant by the Star-K organization. Designed to meet the needs of all Kosher users.

Fully Integrated



Fully **Integrated**



HC-1030 Comfort



HC-1050B Comfort



MSRP	MAP	BLDR	MSRP	MAP	BLDR
\$2,599	\$2,399	\$2,299	\$3,199	\$2,899	\$2,799

Features	
Energy consum. (kWh/y) / Est. Yearly Energy Cost in US \$ *	395/47 475/57
Sound rating dB(A) **	38 38
Refrigerator capacity cu.ft. (l)	7.0 (199) 6.9 (196)
Freezer capacity cu.ft. (l)	2.4 (68) 2.4 (68)
Number of shelves / Number of door racks	5/3 5/3
Number of FrostSafe drawers	3 4
Number of BioCool Drawers	1 1
Electronic control	MagicEye with LCD temp. display, key electronic MagicEye with LCD temp. display, touch electronic
Refrigerator temperature range °F (°C)	+34 °F to +45 °F (+1 °C to +7 °C) +34 °F to +45 °F (+1 °C to +7 °C)
Freezer temperature range °F (°C)	+5 °F to -15 °F (-15 °C to -26 °C) +5 °F to -15 °F (-15 °C to -26 °C)
Defrost type	automatic automatic
Interior light	LED lighting LED lighting
Ice Maker	fixed water connection
Ice cube output lbs. (kg)/24h / Ice cube stock lbs. (kg)	1.8 (0.8)/ 2.2 (1.0) 1.8 (0.8)/ 2.2 (1.0)
SoftSystem / Door hinges	right, reversible right, reversible
Product dimensions (H/W/D) in. (cm)	69 11/16" +11/16" / 22 1/16" / 21 7/16" 69 11/16" +11/16" / 22 1/16" / 21 7/16" (177 +1.6/55.9/54.4) (177 +1.6/55.9/54.4)
Cut out dimensions (H/W/D) in. (cm)	69 13/16" -70 7/16" / 22 1/16" -22 13/16" / 21 11/16" 69 13/16" -70 7/16" / 22 1/16" -22 13/16" / 21 11/16" (177.2-178.8/56-57.8/55) (177.2-178.8/56-57.8/55)
Net weight lbs. (kg)	145.5 (66.0) 166.2 (75.4)
Voltage V/Hz	115/60 115/60
Available Accessories	BLDR BLDR
9096-034-00	Add on Water filter kit \$169
9096-214-00	Door Stop 90° \$59 Door Stop 90° \$59

- Estimated energy cost will depend on utility rates and use. Estimated energy cost based on a national average electricity cost of 12 cents per kWh.
- Noise output – according to EN 60704-3.
- BioFresh bins temperatures 32°F (0°C).

Fully **Integrated**



HCB-1060 Premium



MSRP	MAP	BLDR
\$3,999	\$3,699	\$3,499

Features	
Energy consum. (kWh/yr) / Est. Yearly Energy Cost in US \$ *	475/57
Sound rating dB(A) **	38
Refrigerator capacity cu.ft. (l)	8.7(179)
Freezer capacity cu.ft. (l)	2.4 (68)
Number of shelves / Number of door racks	4/2
Number of FrostSafe drawers	4 with LED lighting/0
Number of BioCool Drawers	
Electronic control	MagicEye with LCD temp. display, touch electronic
Refrigerator temperature range °F (°C)	+34 °F to +45 °F (+1 °C to +7 °C) +37 °F to +48 °F
Freezer temperature range °F (°C)	+7 °F to -15 °F (-14 °C to -26 °C)
Defrost type	automatic
Interior light	LED lighting
Ice Maker	right, reversible
Ice cube output lbs. (kg)/24h / Ice cube stock lbs. (kg)	1.8 (0.8)/ 2.2 (1.0)
SoftSystem / Door hinges	yes/right, reversible
Product dimensions (H/W/D) in. (cm)	69 11/16"+11/16"/22"/21 7/16" (177+1.6/55.9/54.4)
Cut out dimensions (H/W/D) in. (cm)	69 3/4"-70 3/8"/22"-22 3/4"/22" (177.2-178.8/56-57.8/56)
Net weight lbs. (kg)	87.2(192.2)
Voltage V/Hz	115/60

- Estimated energy cost will depend on utility rates and use. Estimated energy cost based on a national average electricity cost of 12 cents per kWh.
- Noise output – according to EN 60704-3.
- BioFresh bins temperatures 32°F (0°C).
- *See pages 42-45 for Accessory Pricing
- Cut out height does not include Toe Kick.

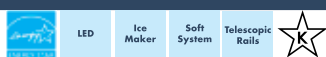
Fully Integrated



HF-861 Premium



HRB-1120 Premium



MSRP	MAP	BLDR	MSRP	MAP	BLDR
\$3,699	\$3,399	\$3,199	\$3,649	\$3,399	\$3,199

Features	HF-861 Premium	HRB-1120 Premium
Energy consum. (kWh/y) / Est. Yearly Energy Cost in US \$ *	439/ 53	283 / 34
Sound rating dB(A) **	38	33
Refrigerator capacity cu.ft. (l)		10.9 (308)
Freezer capacity cu.ft. (l)	7.8 (220)	0.6 (16)
BioFresh comp. cu.ft. (l)		3.2 (92)
Number of shelves / Number of door racks		8 / 5
Number of FrostSafe drawers / BioCool drawers	9/0	0/3 with LED lighting
Number of fruit and vegetable drawers		1
Electronic control	MagicEye with LCD temp. display, touch electronic	MagicEye with LCD temp. display, touch electronic
Refrigerator temperature range °F (°C)		+37°F to +48°F (+3°C to +9°C)
Freezer temperature range °F (°C)	+7°F to -18°F (-14°C to -28°C)	
Defrost type	automatic	automatic
Interior light	LED lighting	LED light column on both sides
SoftSystem/Door hinges	yes/ left, reversible	yes/ right, reversible
Ice Maker / Ice cube outputs lbs. (kg)/24h/ Ice cube stock lbs. (kg)	fixed water connection / 1.8 (0.8)/ 3.3 (1.5)	
Product dimensions (H/W/D) in. (cm)	69 11/16"+11/16" / 22 1/16" / 21 7/16" (177+1.6/55.9/54.4)	69 11/16" + 11/16" / 22 1/16"/ 21 7/16" (177+1.6/55.6/54.4)
Cut out dimensions (H/W/D) in. (cm) ****	69 13/16"-70 7/16" / 22 1/16"-22 13/16" / 21 11/16" (177.2-178.8/56-57.8/55)	69 13/16" -70 7/16" / 22 1/16"-22 13/16" / 21 11/16" (177.2-178.8/56-57.8/55)
Net weight lbs. (kg)	171.1 (77.6)	158.5 (71.9)
Possible Side-by-Side Combination	HF 861 & HRB 1120	HF 861 & HRB 1120 / HF 861 & HW 8000
Voltage V/Hz	115/60	115/60

Available Accessories	BLDR		BLDR	
9902-007-00	Stainless steel panel with handle	\$284	Stainless steel panel with handle	\$284
9096-214-00	Door Stop 90°	\$59	Door Stop 90°	\$59
9096-034-00	Aftermarket External water filter	\$169	Aftermarket External water filter	\$169

- Estimated energy cost will depend on utility rates and use. Estimated energy cost based on a national average electricity cost of 12 cents per kWh.
- Noise output – according to EN 60704-3.
- BioFresh bins temperatures 32°F (0°C).

Fully **Integrated**



HC-1550/1551 Premium



HC-1540/1541 Premium



MSRP	MAP	BLDR	MSRP	MAP	BLDR
\$6,149	\$5,599	\$5,299	\$5,699	\$5,199	\$4,999

Features		
Energy consum. (kWh/y) / Est. Yearly Energy Cost in US \$ *	475/57	507 / 61
Sound rating dB(A) **	42	42
Refrigerator capacity cu.ft. (l)	6.9 (196)	9.8 (278)
BioFresh comp. cu.ft. (l)		
Freezer capacity cu.ft. (l)	2.4 (68)	4.3 (122)
Number of shelves / Number of door racks	5 / 3	4 / 3
Number of FrostSafe drawers	4 with LED lighting	2
Number of BioFresh drawers	1 with LED lighting	
Number of fruit and vegetable drawers	2	2
Electronic control	MagicEye with digital temp. display, touch electronic	MagicEye with digital temp. display, touch electronic
Refrigerator temperature range °F (°C) ***	+34°F to +45°F (+1°C to +7°C)	+36°F to +43°F (+2°C to +6°C)
Freezer temperature range °F (°C)	+5°F to -15°F (-15°C to -26°C)	+7°F to -17°F (-14°C to -27°C)
Defrost type	automatic	automatic
Interior light	LED lighting	LED lighting
Water filter	yes	yes
Ice Maker	fixed water connection	water tank
Ice cube output lbs. (kg)/24h / Ice cube stock lbs. (kg)	1.8(0.8)/2.2 (1.0)	3.1 (1.4) / 7.9 (3.6)
SoftSystem/Door hinges	right (HC-1550) left (HC-1551)	right (HC-1540) left (HC-1541)
Product dimensions (H/W/D) in. (cm)	79 13/16" / 29 13/16" / 24 1/16" (202.7/75.7/61)	79 13/16" / 29 13/16" / 24 1/16" (202.7/75.7/61)
Cut out dimensions (H/W/D) in. (cm)	80"-81 5/8" / 30" / 24 1/16" (203.2-207.2/76.2/61)	80"-81 5/8" / 30" / 24 1/16" (203.2-207.2/76.2/61)
Net weight lbs. (kg)	315.3 (143.0)	315.3 (143.0)
Voltage V/Hz	115/60	115/60

Hinge	Left	HC-1550	Right	HC-1551	Left	HC-1541	Right	HC-1540
Available Accessories				BLDR				BLDR
9900-283-00				\$184				\$184
9900-287-00				\$414				\$414
9900-219-00				\$464				\$464
9900-285-00				\$414				\$414

Fully **Integrated**



HCB-1580/1581 PremiumPlus



MSRP	MAP	BLDR
\$6,749	\$6,199	\$5,899

Features	
Energy consum. (kWh/y) / Est. Yearly Energy Cost in US \$ *	507 / 61
Sound rating dB(A) **	42
Refrigerator capacity cu.ft. (l)	9.8 (278)
BioFresh comp. cu.ft. (l)	2.1 (60)
Freezer capacity cu.ft. (l)	4.3 (122)
Number of shelves / Number of door racks	4 / 3
Number of FrostSafe drawers	2 with LED lighting
Number of BioFresh drawers	2 with LED lighting
Number of fruit and vegetable drawers	
Electronic control	MagicEye with digital temp. display, touch electronic
Refrigerator temperature range °F (°C) ***	+37°F to +45°F (+3°C to +7°C)
Freezer temperature range °F (°C)	+7°F to -17°F (-14°C to -27°C)
Defrost type	automatic
Interior light	LED light column on both sides
Water filter	yes
Ice Maker	fixed water connection
Ice cube output lbs. (kg)/24h / Ice cube stock lbs. (kg)	3.3 (1.5) / 7.9 (3.6)
Door hinges	right (HCB-1580) left (HCB-1581)
Product dimensions (H/W/D) in. (cm)	79 11/16" / 29 13/16" / 24 1/16" (202.4/75.7/61)
Cut out dimensions (H/W/D) in. (cm)	80"-81 5/8" / 30" / 24 1/16" (203.2-207.2/76.2/61)
Net weight lbs. (kg)	330.7 (150.0)
Voltage V/Hz	115/60

Hinge Left **HCB-1581** Right **HCB-1580**

Available Accessories	BLDR		BLDR	
9900-283-00	Stainless steel panels freezers	\$184	Stainless steel panels freezers	\$184
9900-287-00	Stainless steel panels refrigerator 80"	\$414	Stainless steel panels refrigerator 80"	\$414
9900-219-00	Side by Side Kit	\$464	Side by Side Kit	\$464
9900-285-00	Stainless steel panels refrigerator 84"	\$414	Stainless steel panels refrigerator 84"	\$414

Fully Integrated



HC-2080/HC-2081 PremiumPlus

◀36"▶



HCB-2080/HCB-2081 PremiumPlus

◀36"▶



MSRP
\$6,249

MAP
\$5,699

BLDR
\$5,599

MSRP
\$6,749

MAP
\$6,199

BLDR
\$6,099

Features			
Energy consum. (kWh/y) / Est. Yearly Energy Cost in US \$ *	562 / 67		556 / 67
Sound rating dB(A) **	44		43
Refrigerator capacity cu.ft. (l)	13.5 (382)		12.9 (365)
BioFresh comp. cu.ft. (l)			2.4 (69)
Freezer capacity cu.ft. (l)	6.0 (170)		6.0 (170)
Number of shelves / Number of door racks	3 / 7		4 / 6
Number of FrostSafe drawers	2 with LED lighting		2 with LED lighting
Number of BioFresh drawers			2 with LED lighting
Number of fruit and vegetable drawers	3 with LED lighting		
Electronic control	MagicEye with digital temp. display, touch electronic		MagicEye with digital temp. display, touch electronic
Refrigerator temperature range °F (°C) ***	+36°F to +43°F (+2°C to +6°C)		+37°F to +45°F (+3°C to +7°C)
Freezer temperature range °F (°C)	+7°F to -17°F (-14°C to -27°C)		+7°F to -17°F (-14°C to -27°C)
Defrost type	automatic		automatic
Interior light	LED light column and LED ceiling lighting		LED light column and LED ceiling lighting
Water filter	yes		yes
Ice Maker	fixed water connection		fixed water connection
Ice cube output lbs. (kg)/24h / Ice cube stock lbs. (kg)	3.1 (1.4) / 7.9 (3.6)		3.1 (1.4) / 7.9 (3.6)
SoftSystem / Door hinges	right (HCB-2080) Left (HC-2081)		right (HCB-2080) Left (HC-2081)
Product dimensions (H/W/D) in. (cm)	79 13/16" / 35 7/8" / 24 1/16" (202.7/91/61)		79 13/16" / 35 7/8" / 24 1/16" (202.7/91/61)
Cut out dimensions (H/W/D) in. (cm)	80"-81 5/8" / 36 1/16" / 24 5/8" (203.2-207.2/91.5/62.5)		80"-81 5/8" / 36 1/16" / 24 5/8" (203.2-207.2/91.5/62.5)
Net weight lbs. (kg)	370.4 (168.0)		363.8 (165.0)
Voltage V/Hz	115/60		115/60
Hinge	Left ▶ HC-2081	Right ▶ HC-2080	Left ▶ HCB-2081 Right ▶ HCB-2080
Available Accessories	BLDR		BLDR
9900-183-00	Side-by-side Kit	\$464	Side-by-side Kit \$464
9900-333-00	SS Panel	\$429	SS Panel \$429
9900-327-00	SS Round Handle	\$239	SS Round Handle \$239
744000200	Replacement Water Filter	\$59	Replacement Water Filter \$59

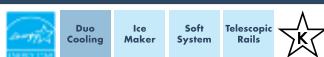
Fully **Integrated**



HC-2082 PremiumPlus



HCB-2082 PremiumPlus



MSRP	MAP	BLDR	MSRP	MAP	BLDR
\$6,849	\$6,299	\$5,999	\$7,349	\$6,699	\$6,499

Features		
Energy consum. (kWh/y) / Est. Yearly Energy Cost in US \$ *	562/67	556/67
Sound rating dB(A) **	44	43
Refrigerator capacity cu.ft. (l)	13.5 (382)	12.9 (365)
BioFresh comp. cu.ft. (l)		2.4 (69)
Freezer capacity cu.ft. (l)	6.0 (170)	6.0 (170)
Number of shelves / Number of door racks	3/8	4 / 6
Number of FrostSafe drawers	2 with LED lighting	2 with LED lighting
Number of BioFresh drawers		2 with LED lighting
Number of fruit and vegetable drawers	3 with LED lighting	
Electronic control	MagicEye with LCD temp. display, touch electronic	MagicEye with digital temp. display, touch electronic
Refrigerator temperature range °F (°C) ***	+36°F to +43°F (+2°C to +6°C)	+37°F to +45°F (+3°C to +7°C)
Freezer temperature range °F (°C)	+7°F to -17°F (-14°C to -27°C)	+7°F to -17°F (-14°C to -27°C)
Defrost type	automatic	automatic
Interior light	LED light column and LED ceiling lighting	LED light column and LED ceiling lighting
Water filter	yes	yes
IceMaker	fixed water connection	fixed water connection
Ice cube output lbs. (kg)/24h / Ice cube stock lbs. (kg)	3.1 (1.4) / 7.9 (3.6)	3.1 (1.4) / 7.9 (3.6)
SoftSystem / Door hinges	yes / left/right	yes / left/right
Product dimensions (H/W/D) in. (cm)	79 13/16" / 36" / 24 1/16" (202.7/91.4/61)	79 13/16" / 35 7/8" / 24 1/16" (202.7/91/61)
Cut out dimensions (H/W/D) in. (cm)	80"-/ 81 5/8" / 36" / 24 5/8" (203.2-207.2/91.44/62.5)	80"-81 5/8" / 36 1/16" / 24 5/8" (203.2-207.2/91.5/62.5)
Net weight lbs. (kg)	63.8 (165.0)	357.1 (162.0)
Voltage V/Hz	115/60	115/60

Available Accessories	BLDR	BLDR
9900-183-00	Side-by-Side kit \$464	Side-by-Side kit \$464
9900-335-00	SS Panel \$449	SS Panel \$449
744000200	Replacement water filter \$59	Replacement water filter \$59

- Estimated energy cost will depend on utility rates and use. Estimated energy cost based on a national average electricity cost of 12 cents per kWh.
- Noise output – according to EN 60704-3.
- BioFresh bins temperatures 32°F (0°C).

Undercounter



Undercounter



RO-510



RU-510 GrandCru



MSRP	MAP	BLDR	MSRP	MAP	BLDR
\$2,499	\$2,299	\$2,199	\$1,899	\$1,799	\$1,699

Features		
Sound rating dB(A) **	39	39
Total capacity cu.ft. (l)	3.7 (104)	3.8 (108)
Number of shelves	4	4
Shelves on telescopic rails	3	3
Shelf material	glass	glass
Electronic control	MagicEye with digital temp. display, touch electronic	MagicEye with digital temp. display, touch electronic
Temperature range °F (°C)	+36°F to +68°F (+2°C to +20°C)	+36°F to +68°F (+2°C to +20°C)
Temperature zones	1	1
Interior light	LED interior lighting	LED lighting permanently on
Door alarm	acoustic	acoustic
Safety thermostat	yes	yes
Activated Charcoal filter	yes	yes
Door type / Integrated lock	full door / yes	glass door with stainless steel frame / yes
Door hinges	right, reversible	right, reversible
Product dimensions (H/W/D) in. (cm)	32 1/4" / 23 9/16" / 22 3/4" (81.8/59.7/57.7)	32 1/4" / 23 9/16" / 22 3/4" (81.8/59.7/57.7)
Cut out dimensions (H/W/D) in. (cm)	32 5/16"-34 5/16" / 23 5/8" / 21 11/16" (82-87/60/55)	32 5/16"-34 5/16" / 23 5/8" / 21 11/16" (82-87/60/55)
Net weight lbs. (kg)	112.4 (51.0)	103.6 (47.0)
Voltage V/Hz	115/60	115/60

Available Accessories	BLDR		BLDR
9590-131-00	Custom panel overlay kit	\$79	Custom panel overlay kit \$79
9902-272-00	Side-by-Side kit	\$104	Side-by-Side kit \$104
9902-240-00	Top filler angle bracket	\$24	Top filler angle bracket \$24
9901-071-00	Stainless steel round handle	\$79	Stainless steel round handle \$79

- Estimated energy cost will depend on utility rates and use. Estimated energy cost based on a national average electricity cost of 12 cents per kWh.
- Noise output – according to EN 60704-3.
- BioFresh bins temperatures 32°F (0°C).

Undercounter



UPR-513 Premium

24"



MSRP	MAP	BLDR
\$2,499	\$2,299	\$2,199

Features	
Energy consum. (kWh/y) / Est. Yearly Energy Cost in US \$ *	260/32
Sound rating dB(A) **	37
Total capacity cu.ft. (l)	4.4 (124)
Number of shelves	2
Number of fruit and vegetable drawers	1
Electronic control	MagicEye with LCD temp. display, touch electronic
Temperature range °F (°C) ***	+34°F to +48°F (+1°C to +9°C)
Defrost type	automatic
Interior light	LED lighting
Door alarm	
Door type	panel ready or stainless steel panel as accessory
SoftSystem	yes
Door hinges	pullout
Product dimensions (H/W/D) in. (cm)	32 5/16" +2 / 23 9/16" / 21 11/16" (81.95+5/59.7/55)
Cut out dimensions (H/W/D) in. (cm)	32 5/16"-34 11/16" / 23 5/8" / 21 11/16" (82-88/60/55)
Net weight lbs. (kg)	105.4 (47.8)
Voltage V/Hz	115/60
Available Accessories	
9901-527-00	Stainless steel round handle 14" BLDR \$49
9901-561-00	Anodized Handle \$79
9902-833-00	SS panel with pre-drilled holes horizontal handle \$194
9900-436-00	Adjustable toe kick \$94

- Estimated energy cost will depend on utility rates and use. Estimated energy cost based on a national average electricity cost of 12 cents per kWh.
- Noise output – according to EN 60704-3.
- BioFresh bins temperatures 32°F (0°C).

Undercounter



UR-500 Premium

24"



MSRP	MAP	BLDR
\$2,499	\$2,299	\$2,199

Features	
Energy consum. (kWh/y) / Est. Yearly Energy Cost in US \$ *	270 / 33
Sound rating dB(A) **	37
Refrigerator capacity cu.ft. (l)	4.8 (136)
BioFresh comp. cu.ft. (l)	
Number of shelves / Number of door racks	3 / 2
Number of BioFresh drawers	
Number of fruit and vegetable drawers	1
Electronic control	MagicEye with LCD temp. display, touch electronic
Refrigerator temperature range °F (°C) ***	+36°F to +48°F (+2°C to +9°C)
Defrost type	automatic
Interior light	LED lighting
Door alarm	visual and acoustic
Gallon storage	yes
Door type	panel ready or stainless steel panel as accessory
SoftSystem	yes
Door hinges	right, reversible
Product dimensions (H/W/D) in. (cm)	32 5/16"-34 11/16" / 23 9/16" / 21 11/16" (82-88/59.7/55)
Cut out dimensions (H/W/D) in. (cm)	32 5/16"-34 11/16" / 23 5/8" / 21 11/16" (82-88/60/55)
Net weight lbs. (kg)	80.0 (36.3)
Voltage V/Hz	115/60

Available Accessories		BLDR
9901-527-00	Stainless steel round handle 14"	\$49
9902 830	SS Panel with pre-drilled holes vertical handles	\$194

- Estimated energy cost will depend on utility rates and use. Estimated energy cost based on a national average electricity cost of 12 cents per kWh.
- Noise output – according to EN 60704-3.
- BioFresh bins temperatures 32°F (0°C).

Undercounter



UB-501 Premium



MSRP	MAP	BLDR
\$2,499	\$2,299	\$2,199

Features	
Energy consum. (kWh/y) / Est. Yearly Energy Cost in US \$ *	252 / 31
Sound rating dB(A) **	38
Refrigerator capacity cu.ft. (l)	2.8 (80)
BioFresh comp. cu.ft. (l)	2.8 (80)
Number of shelves / Number of door racks	2 / -
Number of BioFresh drawers	3 with LED lighting
Number of fruit and vegetable drawers	
Electronic control	MagicEye with LCD temp. display, touch electronic
Refrigerator temperature range °F (°C) ***	+32°F (0°C)
Defrost type	automatic
Interior light	
Door alarm	visual and acoustic
Gallon storage	yes
Door type	panel ready or stainless steel panel as accessory
SoftSystem	yes
Door hinges	left, reversible
Product dimensions (H/W/D) in. (cm)	32 5/16"-34 11/16" / 23 9/16" / 21 11/16" (82-88/59.7/55)
Cut out dimensions (H/W/D) in. (cm)	32 5/16"-34 11/16" / 23 5/8" / 21 11/16" (82-88/60/55)
Net weight lbs. (kg)	83.6 (37.9)
Voltage V/Hz	115/60

Available Accessories		BLDR
9901-527-00	Stainless steel round handle 14"	\$49
9902 830	SS panel w/ pre drilled holes vertical handle	\$194

- Estimated energy cost will depend on utility rates and use. Estimated energy cost based on a national average electricity cost of 12 cents per kWh.
- Noise output – according to EN 60704-3.
- BioFresh bins temperatures 32°F (0°C).

Undercounter



UF-501 Premium

24"



LED

Soft System

ADA Compliant



MSRP	MAP	BLDR
\$2,499	\$2,299	\$2,199

Features	
Energy consum. (kWh/y) / Est. Yearly Energy Cost in US \$ *	347 / 42
Sound rating dB(A) **	38
Freezer capacity cu.ft. (l)	2.8 (79)
Number of FrostSafe drawers	3
Electronic control	MagicEye with LCD temp. display, touch electronic
Freezer temperature range °F (°C)	+7°F to -18°F (-14°C to -28°C)
Defrost type	automatic
Interior light	LED lighting
Door alarm	visual and acoustic
Door type	panel ready or stainless steel panel as accessory
SoftSystem	yes
Door hinges	left, reversible
Product dimensions (H/W/D) in. (cm)	32 5/16"-34 11/16" / 23 9/16" / 21 11/16" (82-88/59.7/55)
Cut out dimensions (H/W/D) in. (cm)	32 5/16"-34 11/16" / 23 5/8" / 21 11/16" (82-88/60/55)
Net weight lbs. (kg)	88.0 (39.9)
Voltage V/Hz	115/60

Available Accessories		BLDR
9901-527-00	Stainless steel round handle 14"	\$49
9902 830	SS panel w/ pre drilled holes vertical handle	\$194

- Estimated energy cost will depend on utility rates and use. Estimated energy cost based on a national average electricity cost of 12 cents per kWh.
- Noise output – according to EN 60704-3.
- BioFresh bins temperatures 32°F (0°C).

Wine Cabinets



Wine Cabinets



WU-3400 Vinidor



WUgb-3400 Vinidor



MSRP	MAP	BLDR	MSRP	MAP	BLDR
\$3,149	\$2,899	\$2,799	\$3,249	\$2,999	\$2,799

Features	
Sound rating dB(A)*	39
Total capacity cu.ft. (l)	3.3 (94)
Max. No. of Bordeaux bottles (0.75 l)	34
Number of shelves / Shelves on telescopic rails	5 / 3
Shelf material	beech wood shelves
Electronic control	MagicEye with digital temp. display for both wine zones, touch electronic
Temperature range °F (°C)	+41°F to +68°F (+5°C to +20°C)
Temperature zones	2
Temperature alarm	acoustic
Interior light	LED lighting permanently on, dimmable
Door alarm	acoustic
Safety thermostat	yes
Activated Charcoal filter	yes
Door type	glass door with stainless steel frame
Integrated lock	yes
SoftSystem	yes
Door hinges	right, reversible
Product dimensions (H/W/D) in. (cm)	32 1/4" / 23 9/16" / 22 11/16" (81.8/59.7/57.5)
Cut out dimensions (H/W/D) in. (cm)	32 5/16"-34 5/16" / 23 5/8" / 22 7/8" (82-87/60/58)
Net weight lbs. (kg)	108.0 (49.0)
Voltage V/Hz	115/60
Available Accessories	BLDR
7434557-00	Replacement Charcoal Filter \$69
9901-071-00	Stainless steel round handle \$79
9902-272-00	Side by Side Kit \$104
551003363-B	Under Counter Toe Kick Black N/C

- Estimated energy cost will depend on utility rates and use. Estimated energy cost based on a national average electricity cost of 12 cents per kWh.
- Noise output – according to EN 60704-3.
- BioFresh bins temperatures 32°F (0°C).

Wine Cabinets



WU-4500 GrandCru

◀24"▶



MSRP	MAP	BLDR
\$2,349	\$2,199	\$2,099

Features	
Sound rating dB(A)*	39
Total capacity cu.ft. (l)	3.9 (110)
Max. No. of Bordeaux bottles (0.75 l)	46
Number of shelves / Shelves on telescopic rails	4 / 3
Shelf material	beech wood shelves
Electronic control	MagicEye with digital temp. display, touch electronic
Temperature range °F (°C)	+41°F to +68°F (+5°C to +20°C)
Temperature zones	1
Temperature alarm	acoustic
Interior light	LED interior lighting
Door alarm	acoustic
Safety thermostat	yes
Activated Charcoal filter	yes
Door type	full door
Integrated lock	yes
Door hinges	right, reversible
Product dimensions (H/W/D) in. (cm)	32 1/4" / 23 9/16" / 22 3/4" (81.8/59.7/57.7)
Cut out dimensions (H/W/D) in. (cm)	32 5/16"-34 5/16" / 23 5/8" / 22 7/8" (82-87/60/58)
Net weight lbs. (kg)	99.2 (45.0)
Voltage V/Hz	115/60

Hinge	Left ▶ N/A	Right ▶ WU-4500
-------	------------	-----------------

Available Accessories		BLDR
9590-131-00	Custom panel overlay kit	\$79
9902-272-00	Side-by-Side Kit	\$104
7434557-00	Replacement Charcoal filter	\$69

- Estimated energy cost will depend on utility rates and use. Estimated energy cost based on a national average electricity cost of 12 cents per kWh.
- Noise output – according to EN 60704-3.
- BioFresh bins temperatures 32°F (0°C).

Built-In Wine Cabinets



HW-8000 Vinidor

◀24"▶



HWgb-8300 Vinidor

◀24"▶



MSRP	MAP	BLDR	MSRP	MAP	BLDR
\$4,199	\$3,799	\$3,599	\$4,599	\$4,199	\$3,999

Features	
Sound rating dB(A) *	36
Total capacity cu.ft. (l)	9.0 (254)
Max. No. of Bordeaux bottles (0.75 l)	80
Number of shelves / Shelves on telescopic rails	10 / 8
Shelf material	beech wood shelves
Presentation shelf	1
Electronic control	LCD temp. display for both wine zones, touch electronic
Temperature range °F (°C)	+41°F to +68°F (+5°C to +20°C)
Temperature zones	2
Temperature alarm	acoustic
Interior light	LED lighting permanently on, dimmable
Door alarm	acoustic
Safety thermostat	yes
Activated Charcoal filter	yes
Door type	panel ready or stainless steel panel as accessory
SoftSystem	yes
Door hinges	right, reversible
Product dimensions (H/W/D) in. (cm)	69 11/16" / 21 15/16" / 21 13/16" (177/55.7/55.3)
Cut out dimensions (H/W/D) in. (cm) **	70 1/8" / 22 1/16" / 21 11/16" (178/56/55)
Net weight lbs. (kg)	200.6 (91.0)
Voltage V/Hz	115/60
Available Accessories	BLDR
9901-561-00	Brushed aluminum square handle \$79
9901-573-00	Stainless steel panel, profile frame and handle \$284
9901080-00	Brushed aluminum profile frame 3/4" \$79

- Estimated energy cost will depend on utility rates and use. Estimated energy cost based on a national average electricity cost of 12 cents per kWh.
- Noise output – according to EN 60704-3.
- BioFresh bins temperatures 32°F (0°C).

Built-In Wine Cabinets



HW-4800 Vinidor

◀24"▶



HWgb-5100 Vinidor

◀24"▶



MSRP	MAP	BLDR	MSRP	MAP	BLDR
\$3,449	\$3,199	\$3,049	\$4,049	\$3,699	\$3,499

Features		
Sound rating dB(A)*	36	36
Total capacity cu.ft. (l)	5.6 (158)	6.0 (169)
Max. No. of Bordeaux bottles (0.75 l)	48	51
Number of shelves / Shelves on telescopic rails	6 / 4	6 / 4
Shelf material	beech wood shelves	beech wood shelves
Presentation shelf	1	1
Electronic control	LCD temp. display for both wine zones, touch electronic	LCD temp. display for both wine zones, touch electronic
Temperature range °F (°C)	+41°F to +68°F (+5°C to +20°C)	+41°F to +68°F (+5°C to +20°C)
Temperature zones	2	2
Temperature alarm	acoustic	acoustic
Interior light	LED lighting permanently on, dimmable	LED lighting permanently on, dimmable
Door alarm	acoustic	acoustic
Safety thermostat	yes	yes
Activated Charcoal filter	yes	yes
Door type	panel ready or stainless steel panel as accessory	black insulated glass door, handle and frame free
SoftSystem	yes	yes
Door hinges	right, reversible	right, reversible
Product dimensions (H/W/D) in. (cm)	48" / 21 15/16" / 21 13/16" (121.8/55.7/55.3)	48" / 21 15/16" / 22 9/16" (121.8/55.7/57.2)
Cut out dimensions (H/W/D) in. (cm)**	48 1/16" / 22 1/16" / 21 11/16" (122/56/55)	48 1/16" / 22 1/16" / 21 11/16" (122/56/55)
Net weight lbs. (kg)	147.7 (67.0)	152.1 (69.0)
Voltage V/Hz	115/60	115/60

Available Accessories	BLDR		BLDR	
9901-561-00	Brushed aluminum square handle	\$79	Brushed aluminum square handle	\$79
9901-575-00	Stainless steel panel, profile frame and handle	\$259	Stainless steel panel, profile frame and handle	\$259
9901079-00	Brushed aluminum profile frame 3/4"	\$69	Brushed aluminum profile frame 3/4"	\$69

- Estimated energy cost will depend on utility rates and use. Estimated energy cost based on a national average electricity cost of 12 cents per kWh.
- Noise output – according to EN 60704-3.
- BioFresh bins temperatures 32°F (0°C).



Built-In Wine Cabinets



HWS-1800 GrandCru



HWgb-1803 GrandCru



MSRP	MAP	BLDR	MSRP	MAP	BLDR
\$2,099	\$1,999	\$1,899	\$2,699	\$2,499	\$2,399

Features	
Sound rating dB(A) *	36
Total capacity cu.ft. (l)	1.7 (47)
Max. No. of Bordeaux bottles (0.75 l)	18
Number of shelves / Shelves on telescopic rails	3 / 2
Shelf material	beech wood shelves
Electronic control	LCD temp. display, touch electronic
Temperature range °F (°C)	+41°F to +68°F (+5°C to +20°C)
Temperature zones	1
Temperature alarm	acoustic
Interior light	LED lighting permanently on, dimmable
Door alarm	acoustic
Safety thermostat	yes
Activated Charcoal filter	yes
Door type	glass door with stainless steel frame
SoftSystem	yes
Door hinges	right, reversible
Product dimensions (H/W/D) in. (cm)	17 3/8" / 21 15/16" / 20 9/16" (44.1/55.7/52.2)
Cut out dimensions (H/W/D) in. (cm)	17 3/4" / 22 1/16" / 21 11/16" (45/56/55)
Net weight lbs. (kg)	66.1 (30.0)
Voltage V/Hz	115/60
Available Accessories	BLDR BLDR
9900-073-00	Trim kit 30" \$179 Trim kit 30" \$179
9901085-00	Accessory drawer black glass \$339 Accessory drawer black glass \$339
9901086-00	Accessory drawer white glass \$299 Accessory drawer white glass \$299

- Estimated energy cost will depend on utility rates and use. Estimated energy cost based on a national average electricity cost of 12 cents per kWh.
- Noise output – according to EN 60704-3.
- BioFresh bins temperatures 32°F (0°C).



Freestanding



WS-17800 Vinidor



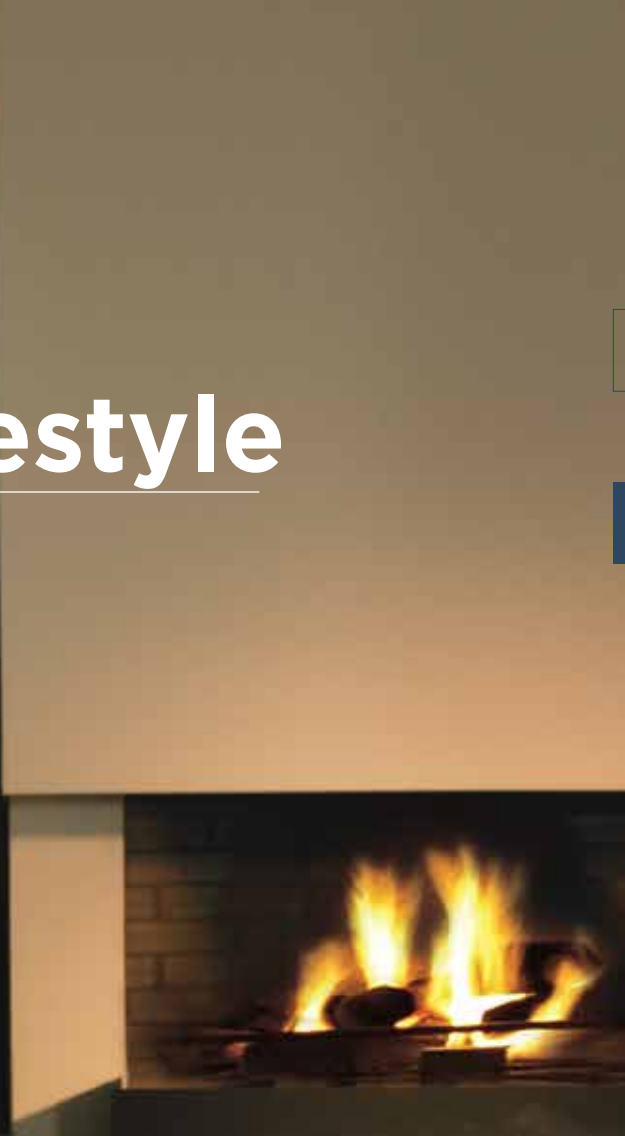
MSRP	MAP	BLDR
\$6,699	\$6,099	\$5,799

Features	
Sound rating dB(A) *	39
Total capacity cu.ft. (l)	17.7 (505)
Max. No. of Bordeaux bottles (0.75 l)	178
Number of shelves / Shelves on telescopic rails	13 / 10
Shelf material	beech wood shelves
Presentation shelf	1
Electronic control	MagicEye with digital temp. display, touch electronic
Temperature range °F (°C)	+41°F to +68°F (+5°C to +20°C)
Temperature zones	3
Temperature alarm	acoustic
Interior light	LED interior lighting
Door alarm	acoustic
Safety thermostat	yes
Activated Charcoal filter	yes
Door type	glass door with stainless steel frame
Integrated lock	yes
SoftSystem	yes
Door hinges	right, reversible
Product dimensions (H/W/D) in. (cm)	75 5/8" / 27 9/16" / 29 1/4" (192/70/74.2)
Cut out dimensions (H/W/D) in. (cm)	77 9/16" / 28" / 27 1/16" (197/71.1/68.6)
Net weight lbs. (kg)	308.6 (140.0)
Voltage V/Hz	115/60

Available Accessories		BLDR
7433-243-00	Replacement charcoal filter, WS 1780	\$69

- Estimated energy cost will depend on utility rates and use. Estimated energy cost based on a national average electricity cost of 12 cents per kWh.
- Noise output – according to EN 60704-3.
- BioFresh bins temperatures 32°F (0°C).

Design & Lifestyle



Design & Lifestyle



XS-200 Humidor

◀ 17" ▶



MSRP	MAP	BLDR
\$1,979	\$1,799	\$1,799

Features	
Sound rating dB(A)*	42
Total capacity cu.ft. (l)	1.4 (39)
Number of shelves	2
Shelf material	Spanish cedar wood shelves
Electronic control	LCD temp. display, touch electronic
Temperature range °F (°C)	+61°F to +68°F (+16°C to +20°C)
Temperature zones	1
Temperature alarm	
Interior light	LED lighting permanently on, dimmable
Door alarm	acoustic
Activated Charcoal filter	yes
Door type	glass door with stainless steel frame and SmartSteel
Integrated lock	yes
Door hinges	right
Product dimensions (H/W/D) in. (cm)	24 1/8" / 16 3/4" / 18 7/8" (61.2/42.5/47.8)
Cut out dimensions (H/W/D) in. (cm)	26" / 17" / 19" (66/43.1/48.2)
Net weight lbs. (kg)	68.3 (31.0)
Voltage V/Hz	115/60

Hinge	Left	Right
	N/A	XS-200

Available Accessories		BLDR
7440699	Replacement charcoal filter	\$59

- Estimated energy cost will depend on utility rates and use. Estimated energy cost based on a national average electricity cost of 12 cents per kWh.
- Noise output – according to EN 60704-3.
- BioFresh bins temperatures 32°F (0°C).

Accessories



Bottle Racks



Category	Models	Accessory	MAP	BLDR
Bottle rack	CS 1210, CS 1360B, CS 1321	7113023-00	\$25	\$24
	CBS 1360	7112448-00	\$25	\$24
	CS 1400R, CS 1400R-IM, CS 1401R-IM, CS 1410, CS 1640B	7113257-00	\$50	\$49
	CBS 1660, CBS 1661	7112325-00	\$50	\$49

Bin Dividers



Category	Models	Accessory	MAP	BLDR
Freezer divider for either drawer	HCB 1580, HCB 1581	9033-012-00	\$50	\$49
	CS 2080, CS 2081, CS 2082, CBS 2082, HC 2080, HC 2081, HCB 2080, HCB 2081, HC 2082, HCB 2082	9033-016-00	\$50	\$49
	HCB 1580, HCB 1581	9033-014-00	\$50	\$49
Solid divider for 1st drawer only	CS 2080, CS 2081, CS 2082, CBS 2082, HC 2080, HC 2081, HCB 2080, HCB 2081, HC 2082, HCB 2082	9033-018-00	\$50	\$49
	HCB 1580, HCB 1581	9033-018-00	\$50	\$49
	HCB 2081, HC 2082, HCB 2082	9033-018-00	\$50	\$49

Wine



Category	Models	Accessory	MAP	BLDR
Accessory drawer / bottle storage	WS 17800	9033373-01	\$162	\$159
Accessory drawer stainless steel	HWS 1800	9901084-00	\$345	\$339
Accessory drawer black glass	HWgb 1803	9901085-00	\$345	\$339
Accessory drawer white glass	HWgw 1803 (discontinued model - limited accessories available)	9901086-00	\$319	\$299
Plastic clip labels (2 pcs)	WU 3400, WUgb 3400, WU 4500, HW 8000, HWgb 8300	9094-397-00	\$9	\$8
	HWgw 8300, HW 4800, HWgb 5100, HWgw 5100, HW 3000			
	HWgb 3300, HWgw 3300			

Filters



Category	Models	Accessory	MAP	BLDR
Charcoal filter	WU 3400, WUgb 3400, WU 4500, HW 8000, HWgb 8300, HWgw 8300, HW 4800, HWgb 5100, HWgw 5100, HW 3000, HWgb 3300, HWgw 3300, HWgb 1803, HWgw 1803	7434557-00	\$71	\$69
	HWS 1800, WS 17800	7433-243-00	\$71	\$69
	WS 1200, XS 200	7440699	\$60	\$59
Replacement Water filter	CS 1360B, CBS 1360, CS 1400R-IM, CS 1401R-IM, CBS 1660, CBS 1661, CS 2080, CS 2081, CS 2082, CBS 2082, HC 1050B, HC 1080, HCB 1060, HF 861, HC 1550, HCB 1580, HCB 1581, HC 2080, HC 2081, HCB 2080, HCB 2081, HC 2082, HCB 2082, F 1051, WF 1061, BF 1061	744000200	\$60	\$59
	CS 1360B, CBS 1360, CS 1400R-IM, CS 1401R-IM, CBS 1660, CBS 1661, HC 1050B, HC 1080, HCB 1060, HF 861	9096-034-00	\$172	\$169
Aftermarket External Water Filter				

Handles



Category	Models	Accessory	MAP	BLDR
Brushed aluminum square handle	HC 1550, HC 1540, HC 1541, HCB 1580, HCB 1581	9900-281-00	\$238	\$234
	HC 2080, HC 2081, HCB 2080, HCB 2081	9900-329-00	\$243	\$239
	HC 2082, HCB 2082	9900-513-00	\$324	\$319
	HW 8000, HW 4800, HW 3000	9901-561-00	\$81	\$79
Stainless steel round handle	RO 510, RU 510, WU 3400, WU 4500	9901-071-00	\$81	\$79
Stainless steel round handles	HC 1550, HC 1540, HC 1541, HCB 1580, HCB 1581	9900-279-00	\$238	\$234
	HC 2080, HC 2081, HCB 2080, HCB 2081	9900-327-00	\$243	\$239
	HC 2082, HCB 2082	9900-339-00	\$324	\$319
Stainless steel round handle 14"	UPR 503, UPR 513, UR 500, UB 501, UF 501	9901-527-00	\$50	\$49
Square handle kit	CS 1210, CS 1360B, CS 1321, CBS 1360, CS 1400R, CS 1400R-IM, CS 1401R-IM, CS 1410, CS 1640B, CBS 1660, CBS 1661	9901-557-00	\$197	\$194

Installation Kits



Category	Models	Accessory	MAP	BLDR
Adjustable Toe Kick	UPR 503, UPR 513, UR 500, UB 501, UF 501	9900-436-00	\$96	\$94
Custom panel overlay kit	RU 510, WU 3400, WUgb 3400, WU 4500	9590-131-00	\$81	\$79
Door Stop 90°	HC 1030, HC 1050B, HC 1070, HC 1080, HCB 1060, HRB 1120, HF 861	9096-214-00	\$60	\$59
	HC 1550, HC 1540, HC 1541, HCB 1580, HCB 1581, HC 2080, HC 2081, HCB 2080, HCB 2081	9096-699-00	\$60	\$59
	CS 1321, CBS 1360, CS 1400R, CS1400R-IM, CS 1640B, CS 1660/61	9096-683-00	\$30	\$29
Side-by-Side kit	CS 1210, CS 1360B, CS 1321, CBS 1360, CS 1400R, CS 1400R-IM, CS 1401R-IM, CS 1410, CS 1640B, CBS 1660, CBS 1661	9901-555-00	\$345	\$339
	CS 2080, CS 2081	9900-221	\$573	\$564
	HC 1550, HC 1540, HC 1541, HCB 1580, HCB 1581	9900-219-00	\$471	\$464
	HC 2080, HC 2081, HCB 2080, HCB 2081	9900-183-00	\$471	\$464
	RU 510, WU 3400, WUgb 3400, WU 4500	9902-272-00	\$106	\$104
Top filler angle bracket	RU 510, WU 3400, WUgb 3400, WU 4500	9902-240-00	\$25	\$24
Top filler – black glass	WUgb 3400	9901-599-00	\$81	\$79
Top grill for 67" to 72", Side-by-Side	CS 1400R, CS 1400R-IM, CS 1401R-IM	9901-521-00	\$197	\$194
Top grill for 67" to 72", single unit	CS 1400R, CS 1400R-IM, CS 1401R-IM	9901-523-00	\$152	\$149
Top ventilation grill 84" cabinets, single unit	CS 2080, CS 2081	9900-277-00	\$248	\$244
	CS 2082, CBS 2082	9900-199-00	\$248	\$244
Top ventilation grill 84" cabinets, 48" Side-by-Side	CS 1321, CBS 1360	9900-368-00	\$294	\$289
Trim kit 30"	HWS 1800	9900-073-00	\$182	\$179
Ventilation grill (pantries)	HW 8000, HWgb 8300, HWgw 8300, HW 4800, HWgb 5100, HWgw 5100, HW 3000, HWgb 3300, HWgw 3300	7427-640-00	\$30	\$29

Panels & Frames



Category	Models	Accessory	MAP	BLDR
Brushed aluminum profile frame 3/4"	HW 8000	9901080-00	\$81	\$79
	HW 4800	9901079-00	\$71	\$69
	HW 3000	9901075-00	\$60	\$59
Brushed aluminum profile frame 7/8"	HW 8000	9901083-00	\$81	\$79
	HW 4800	9901082-00	\$71	\$69
	HW 3000	9901081-00	\$60	\$59
Stainless steel panel with handle	HRB 1120, HF 861	9902-007-00	\$289	\$284
Stainless steel panel, profile frame and handle	HW 8000	9901-573-00	\$289	\$284
	HW 4800	9901-575-00	\$263	\$259
	HW 3000	9901-577-00	\$228	\$224
Stainless steel panels freezers	HC 1550, HC 1540, HC 1541, HCB 1580, HCB 1581	9900-283-00	\$187	\$184
	HC 2080, HC 2081, HCB 2080, HCB 2081, HC 2082, HCB 2082	9900-323-00	\$253	\$249
Stainless steel panels refrigerator 80"	HC 1550, HC 1540, HC 1541, HCB 1580, HCB 1581	9900-287-00	\$421	\$414
	HC 2080, HC 2081, HCB 2080, HCB 2081	9900-333-00	\$477	\$469
	HC 2082, HCB 2082	9900-337-00	\$497	\$489
Stainless steel panels refrigerator 84"	HC 1550, HC 1540, HC 1541, HCB 1580, HCB 1581	9900-285-00	\$421	\$414
	HC 2080, HC 2081, HCB 2080, HCB 2081	9900-331-00	\$477	\$469
	HC 2082, HCB 2082	9900-335-00	\$497	\$489



Mid-Atlantic Division	800-950-9900	215-554-6566	MID-ATL@almo.com
Northeast Division	800-836-2522	215-554-6697	NE@almo.com
Southeast Division	800-645-3505	215-554-6671	SE@almo.com
South Central	844-277-2566	215-554-6514	SoCentral@almo.com



Almo Web Support

- premium.almo.com - Overview of Almo Premium Appliances
- www.access.almo.com - Almo's business-to-business website
 - *Spec sheets, inventory, pricing, training, spiff claims*



Service/Parts Request

☉ Contact Liebherr to schedule service or request replacement parts

- **Phone** ☎ : 866-543-2437
- **Customer Care Email** ✉ : service-appliances.us@liebherr.com
- For cosmetic or damaged / missing parts, please contact Almo Customer Care

☉ If you need to escalate an issue, please contact Almo Customer Care

- **Email** ✉ : PremiumApplianceCCC@almo.com
- Call your regional number, option 2



Good Stock/Cosmetic Damage Returns

☉ Dealer requesting return on a unit

- *Contact Almo CCC with detail of why the request is being made, model/serial #, and DOP*
- **Remorse/order cancelled**
 - *If the unit is factory sealed and a current model, an RA will be approved*
 - Dealer is responsible for return freight
 - No restocking fee (20%) if within the first 10 days receipt
 - *If the unit is opened but unused, an RA will be approved if within the first 10 days*
 - Dealer is responsible for return freight
 - Minimum 40% restock fee
- **Concealed damaged returns**
 - *Refuse any product you feel may be damaged (excludes full container orders)*
 - *Contact Almo CCC with detail of model/serial #, DOP, and how the unit was signed for*
 - *Photos of all sides of the carton and damage must be submitted for any return request on a damage product*

- There are no returns on **special order products**
- There are no returns on **installed products**
- Product returned not in the condition claimed is subject to a **minimum 35% restocking fee**



LIEBHERR
Quality, Design and Innovation