



## PRICE GUIDE



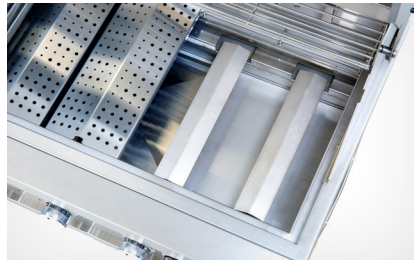
# WHY BUY **HEAT**?

by: CAMBRIDGE®



## CAST STAINLESS STEEL BURNERS

Up to 750° surface temperatures with up to 70,000 BTUs of total cooking power.



## 16 GAUGE FLAME TAMER SYSTEM

Delivers even cooking, easy cleaning, high temperatures with reduced Flare ups and a lifetime warranty.



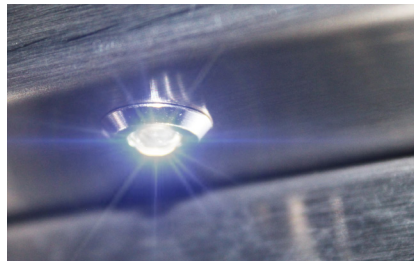
## DIAMOND V™ COOKING GRID

Infuse meats and vegetables and grills to perfection everytime. The Diamond shape produces high temperatures, superior cooking and easy cleaning.



## STAINLESS STEEL PROFESSIONAL STYLE DOUBLE WALLED HOOD

Provides excellent heat retention, is cool to the touch, and counter balanced for easy lifting.



## INTEGRATED CONTROL PANEL

Illuminates the control panel and knobs with CBL cool blue LEDs, and the 110 volt provides reliable operation.



## VARIABLE HEAT CONTROL KNOBS

Simple push and turn to light, control valves provide a variable heat setting for high or low heat cooking.





Lights



LED



Burner



Grills	6
Versa Hoods	8
Storage	10
Accessories	12
<b>SERVICE</b>	<b>14</b>
<b>WARRANTY</b>	<b>15</b>

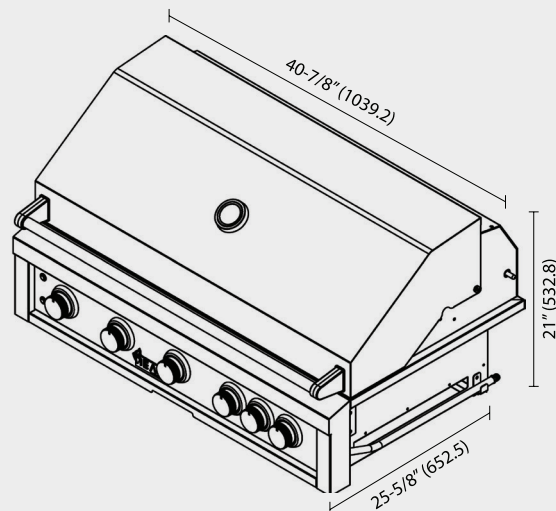
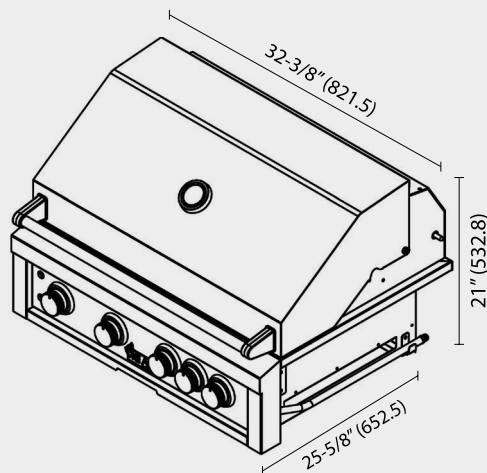
Pricing, Terms and Conditions are subject to change without notice.  
Not responsible for errors or omissions.  
MAP pricing is pursuant to **HEAT** MAP policy guidelines.  
Retailers set their own pricing.





## BARBECUE GRILLS

Heat Professional Gas Grills deliver high performance and chef-inspired features at a fantastic value! Powerful cast stainless steel burners are paired with our unique Diamond V flame stabilizers and cooking grids. This design delivers the intense, even heat needed to achieve perfect results across the spacious grilling surface. Crafted from commercial grade 304 stainless steel, its professional grade construction creates an optimal cooking environment and provides long-lasting durability and performance. In fact, it's built so well, we offer a **lifetime warranty\***.



\*Conditions apply. See page 15.



MODEL #	SIZE	DESCRIPTION	MSRP	MAP
<b>GRILLS</b>				
<b>HTGR32-4-NG</b>	<b>32"</b>	4-Burner Grill - NG	\$2,309	\$2,099
<b>HTGR32-4-LP</b>		4-Burner Grill - LP	\$2,309	\$2,099
<b>HTGR40-5-NG</b>	<b>40"</b>	5-Burner Grill - NG	\$2,749	\$2,499
<b>HTGR40-5-LP</b>		5-Burner Grill - LP	\$2,749	\$2,499



HTGR32-4



HTGR40-5

**CARTS**

<b>HTX-32-CART</b>	4-Burner Assembled Cart	\$659	\$599
<b>HTX-40-CART</b>	5-Burner Assembled Cart	\$769	\$699



HTX-32-CART



HTX-40-CART

**SIDE BURNERS**

<b>HTSB1-NG</b>	Single Side Burner - NG	\$389	\$349
<b>HTSB1-LP</b>	Single Side Burner - LP	\$389	\$349
<b>HTSB2-NG</b>	Double Side Burner w/ Lights - NG	\$829	\$749
<b>HTSB2-LP</b>	Double Side Burner w/ Lights - LP	\$829	\$749
<b>HTPB1-NG</b>	Power Burner w/ Lights - NG	\$1,099	\$999
<b>HTPB1-LP</b>	Power Burner w/ Lights - LP	\$1,099	\$999



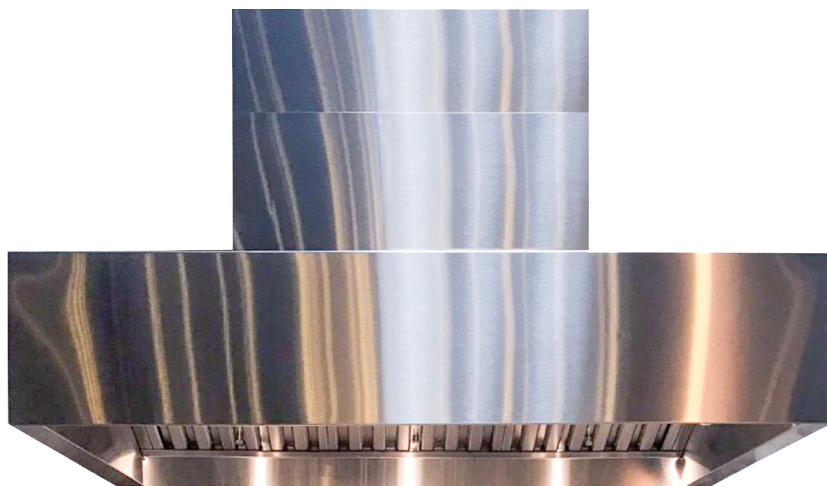
**HTSB1-NG**  
W: 12 3/8"  
12,000 BTU



**HTSB2-NG**  
W: 14 5/16"  
24,000 BTUs

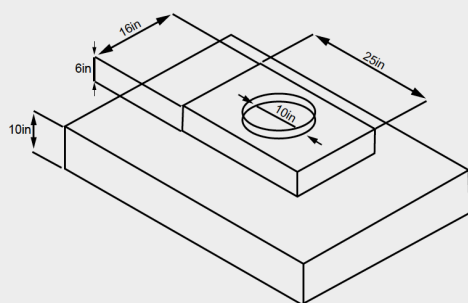


**HTPB1-NG**  
W: 16 1/16"  
34,000 BTUs

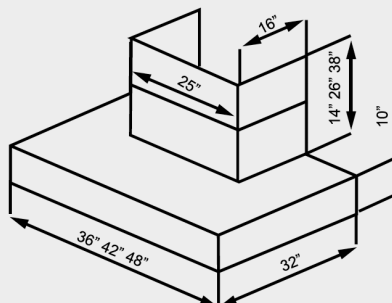


## VERSA HOODS

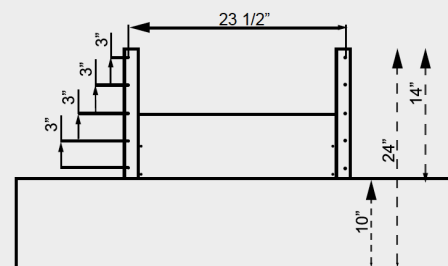
Effective outdoor ventilation is vital in maintaining a safe cooking and dining environment. Heat's Versa chimney hood or custom hood liner, does just that! Its 32" hood depth is the largest in the industry, and provides an extraordinary capture area for proper air flow. Manufactured with heavy gauge, 304 stainless steel, Heat's Versa hoods offer large commercial-style baffle filters; 50-watt halogen lights; and powerful 3-speed internal blowers, delivering up to 1250 CFM through one 10" round duct.



Side View no Chimney



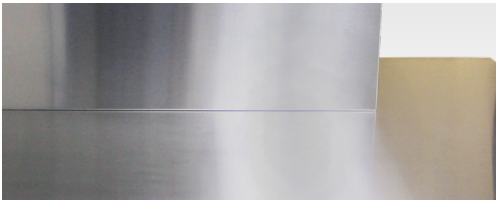
Side View with Chimney



Side View no Chimney

# FEATURES

## HEAT Versa Hoods



### 304 GRADE STAINLESS STEEL

Heavy gauge, 304 grade stainless steel with #4 Brush finish to match virtually every grill's brushed finish.



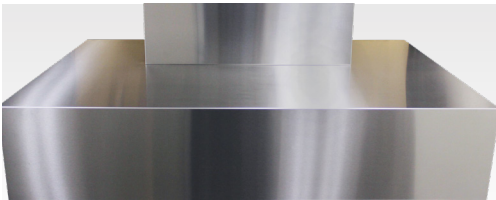
### COMMERCIAL-STYLE BAFFLE FILTERS

Large commercial-style baffle filters of 304 grade stainless steel



### DIMMABLE HALOGEN LIGHTS

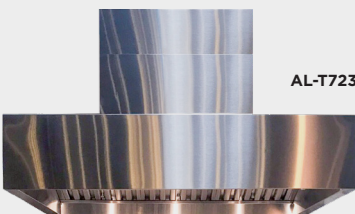
Dimmable 50-watt halogen lights with bulbs supplied with the Versa hood



### MATCHING TELESCOPING DUCT COVER

Matching telescoping duct cover for 8' to 10' ceiling heights comes standard in the Versa hood carton.

MODEL	DESCRIPTION	MSRP	MAP
AL-T7236-12	36" 304 SS Versa BBQ Hood , 32" Depth, 1250 CFM, Baffle Filter	\$2352	\$2139
AL-T7242-12	42" 304 SS Versa BBQ Hood , 32" Depth, 1250 CFM, Baffle Filter	\$2539	\$2299
AL-T7248-12	48" 304 SS Versa BBQ Hood , 32" Depth, 1250 CFM, Baffle Filter	\$2764	\$2519

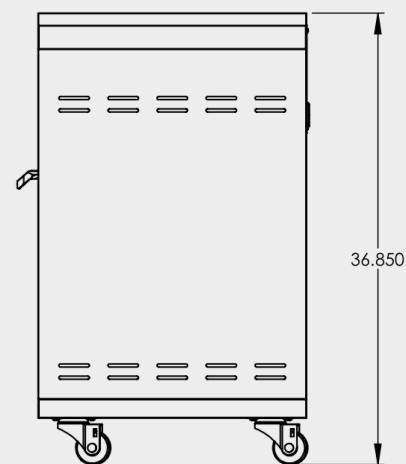
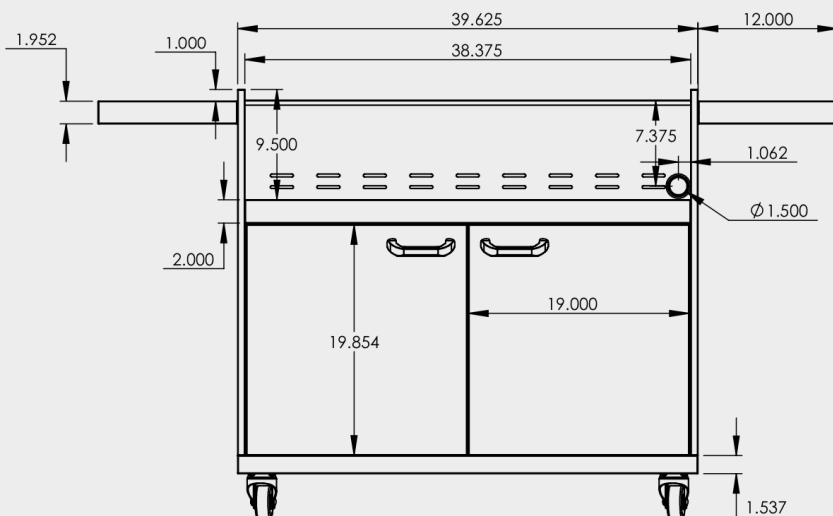


AL-T7236-12



## GRILL STORAGE

Heat's line of outdoor kitchen storage components are constructed of commercial grade 304 stainless steel to withstand harsh outdoor elements. All doors are double-lined and accented with sleek curved handles. Storage drawers feature heavy-duty sliding drawer mechanisms for smooth operation. Heat delivers convenient, durable storage for any outdoor kitchen space backed by a **lifetime warranty\***.



\*Conditions apply. See page 15.



MODEL #	DESCRIPTION	MSRP	MAP
<b>ACCESS DOORS</b>			
<b>HTX-32-DRDWR</b>	4-Burner Door Drawer Combo 30.4W x 21.1H	\$769	\$699
<b>HTX-40-DRDWR</b>	5-Burner Door Drawer Combo 36.4W x 21.1H	\$879	\$799
<b>HTX-DOOR-14x20H</b>	Single Access Horizontal Door 20W x 14H	\$219	\$199
<b>HTX-DOOR-14x20V</b>	Single Access Vertical Door 20H x 14W	\$219	\$199
<b>HTX-DOOR-17x24H</b>	Single Access Horizontal Door 24W x 17H	\$249	\$219
<b>HTX-DOOR-17x24V</b>	Single Access Vertical Door 24H x 17W	\$249	\$219
<b>HTX-32-DBLDOOR</b>	4-Burner Double Door 30.4W x 21.1H	\$329	\$299
<b>HTX-40-DBLDOOR</b>	5-Burner Double Door 36.4W x 21.1H	\$389	\$349



HTX-32-DRDWR



HTX-DOOR-14x20V



HTX-DOOR-14x20H



HTX-32-DBLDOOR

**STORAGE DRAWERS**

<b>HTX-DRAWER-2DR</b>	Double Drawer 12.5Hx17W	\$549	\$499
<b>HTX-DRAWER-3DR</b>	Triple Drawer 24Hx17W	\$659	\$599
<b>HTX-DRAWER-TRASH</b>	Trash Drawer 24Hx17W	\$439	\$399
<b>HTX-DRAWER-PTD</b>	Paper Towel Dispenser	\$219	\$199



HTX-DRAWER-2DR



HTX-DRAWER-3DR



HTX-DRAWER-TRASH



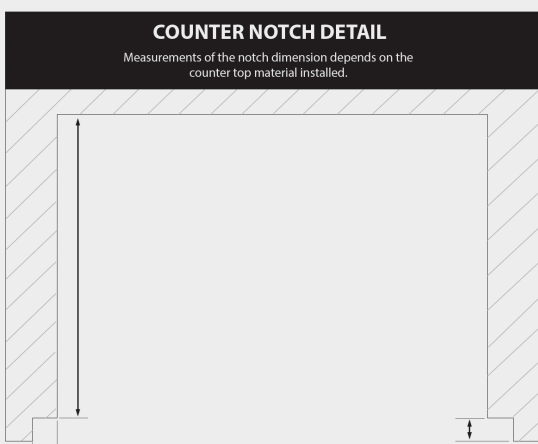
HTX-DRAWER-PTD



## GRILL ACCESSORIES

Whether you need to protect your grill from the elements, desire a few fun cooking accessories or are looking to create the ultimate outdoor kitchen, Heat offers a full range of sleek grilling accompaniments to fit any style and budget. All metal components are crafted from the same commercial-grade 304 stainless steel to ensure years of outdoor use, and our heavy-duty grill covers even come with a guarantee.

### CUTOUT SPECIFICATIONS\*



\* All dimensions shown are in inches

### INSULATED JACKETS

MODEL	HEIGHT (A)	WIDTH (B)	DEPTH (C)
HTX-32-INJACKET	9 <sup>3</sup> / <sub>8</sub>	32 <sup>7</sup> / <sub>8</sub>	22 <sup>1</sup> / <sub>16</sub>
HTX-40-INJACKET	9 <sup>3</sup> / <sub>8</sub>	40 <sup>7</sup> / <sub>8</sub>	22 <sup>1</sup> / <sub>16</sub>
HTX-SB2-INJACKET	9 <sup>1</sup> / <sub>8</sub>	12 <sup>5</sup> / <sub>16</sub>	21 <sup>1</sup> / <sub>16</sub>

### SINKS & ICE BINS

MODEL	HEIGHT (A)	WIDTH (B)	DEPTH (C)
HTX-SINK-15X24**	23 <sup>3</sup> / <sub>8</sub>	15 <sup>7</sup> / <sub>8</sub>	8 <sup>3</sup> / <sub>4</sub>
HTX-ICEBIN-18X18	18 <sup>1</sup> / <sub>4</sub>	18 <sup>1</sup> / <sub>2</sub>	11 <sup>3</sup> / <sub>4</sub>



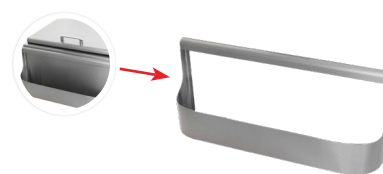
MODEL #	DESCRIPTION	MSRP	MAP
<b>SINKS &amp; ICE BINS</b>			
<b>HTX-SINK-15X24</b>	Insulated Bar Sink Station with Faucet	\$879	\$799
<b>HTX-ICEBIN-18X18</b>	18x18 Drop-In Ice Bin	\$879	\$799
<b>HTX-SPEEDRAIL</b>	Optional Speed Rail	\$89	\$79



HTX-SINK-15X24



HTX-ICEBIN-18X18



HTX-SPEEDRAIL

### ACCESSORIES

<b>HTX-32-ROTIS</b>	4-Burner Rotisserie	\$119	\$99
<b>HTX-40-ROTIS</b>	5-Burner Rotisserie	\$119	\$99
<b>HTX-PRO-GRIDDLE</b>	Pro Style Griddle	\$199	\$179
<b>HTX-PRO-SMOKER</b>	Pro Style Deep Smoker Box	\$99	\$79



HTX-32-ROTIS



HTX-PRO-GRIDDLE



HTX-PRO-SMOKERTIS

### INSULATED JACKETS

<b>HTX-32-INJACKET</b>	4-Burner Insulated Jacket	\$439	\$399
<b>HTX-40-INJACKET</b>	5-Burner Insulated Jacket	\$499	\$449
<b>HTX-SB2-INJACKET</b>	Double Side Burner Insulated Jacket	\$279	\$249

### GRILL COVERS

<b>HTX-32-COVER-BI</b>	32" Built-in Cover	\$55	\$49
<b>HTX-32-COVER-C</b>	32" Cart Cover	\$65	\$59
<b>HTX-40-COVER-BI</b>	40" Built-in Cover	\$65	\$59
<b>HTX-42-COVER-C</b>	40" Cart Cover	\$79	\$69



## Almo Web Support

- premium.almo.com - Overview of Almo Premium Appliances
- www.access.almo.com - Almo's business-to-business website
  - *Spec sheets, inventory, pricing, training, spiff claims*



## Service/Parts Request

- **Contact Heat to schedule service or request replacement parts**
  - **Phone** ☎: Call regional number, option 2
    - For cosmetic or damaged / missing parts, please contact Almo Customer Care
- **If you need to escalate an issue, please contact Almo Customer Care**
  - **Email** ✉: PremiumApplianceCCC@almo.com
  - Call your regional number, option 2



## Good Stock/Cosmetic Damage Returns

- **Dealer requesting return on a unit**
  - *Contact Almo CCC with detail of why the request is being made, model/serial #, & DOP*
- **Remorse/order cancelled**
  - *If the unit is factory sealed and a current model, an RA will be approved*
    - Dealer is responsible for return freight
    - No restocking fee (20%) if within the first 10 days receipt
  - *If the unit is opened but unused, an RA will be approved if within the first 10 days*
    - Dealer is responsible for return freight
    - Minimum 35% restock fee
- **Concealed damaged returns**
  - *Refuse any product you feel may be damaged (excludes full container orders)*
  - *Contact Almo CCC with detail of model/serial #, DOP, and how the unit was signed for*
  - *Photos of all sides of the carton and damage must be submitted for any return request on a damage product*



<b>Mid-Atlantic Division</b>	800-950-9900	215-554-6566	<b>MID-ATL@almo.com</b>
<b>Northeast Division</b>	800-836-2522	215-554-6697	<b>NE@almo.com</b>
<b>Southeast Division</b>	800-645-3505	215-554-6671	<b>SE@almo.com</b>
<b>South Central</b>	844-277-2566	215-554-6514	<b>SoCentral@almo.com</b>
<b>Mid-West Division</b>	844-275-2566	215-554-6697	<b>Mid-West@almo.com</b>

- There are no returns on **special order products**
- There are no returns on **installed products**
- Product returned not in the condition claimed is subject to a **minimum 35% restocking fee**



## WARRANTY INFORMATION

All Heat Gas Grills are warranted for the lifetime of the original owner against defects in manufacturing and workmanship. This warranty covers the cooking grids, stainless housing and the stainless burners against rust-through.

**90 Days:** In home labor for service- necessary part replacement

**Lifetime:** Control valve, grill body, flame tamers, heat zone separators and cart

**1 Year:** All other components



For more information, please contact your  representative

**Heat Outdoor Living**

PO Box 16262

Philadelphia, PA 19114

866-876-9959 or [premiumappliancecccc@almo.com](mailto:premiumappliancecccc@almo.com)

Distributed by **Almo Premium Appliances.**

[heatgrills.com](http://heatgrills.com)



**Specifications are subject to change; not responsible for errors or omissions.**





PRHPG042020