

# ALAMO 6634

METRO COLLECTION

# H | S

## SIZE

- 66.34.21

## WATER CAPACITY

- 75 Gallons

## WEIGHT

- 350 Pounds

## BACK SLOPE

- 28°

## MATERIAL

- Hydroluxe SS™

## STANDARD COLORS

- White, Almond, Biscuit

## PREMIUM COLORS

- Black, Blue, Carbon, Espresso, Gray, Graphite, Lime Green, Olive, Pink, Red, Royal Blue, Sky Blue, Violet, Yellow

## FINISH

- Matte, Polished, Two-Tone

## WARRANTY

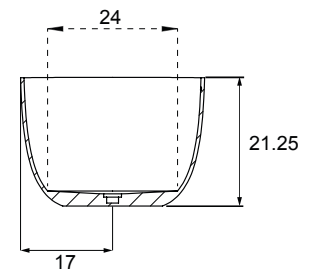
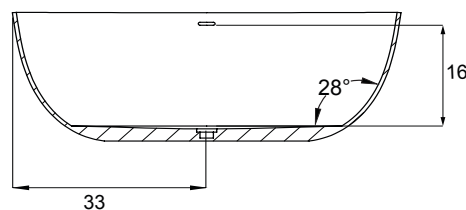
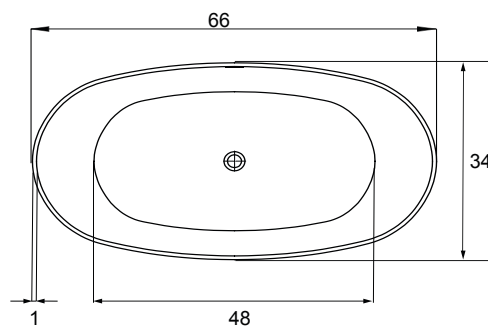
- 10 years



## OPTIONS (more information available on our website)

- Air System
  - Blower and Control Panel Must be Remotely Located
  - Electrical Requirements 1 15 AMP dedicated GF - 115 Volts
- Hydro Coat
- Island Tub Drain
- Remote Control for Air System
- Tower

## INSTALLATION VIDEOS AVAILABLE ON WEBSITE



## CODES AND COMPLIANCES

Massachusetts code File no: P1-0614-491



HYDRO SYSTEMS  
Family Owned And Operated Since 1978

29132 Avenue Paine, Valencia, CA, 91355  
661.775.0686 | hydrosystem.com



MADE IN AMERICA

All specifications and options subject to change without notice please contact a hydro systems representative for more information.