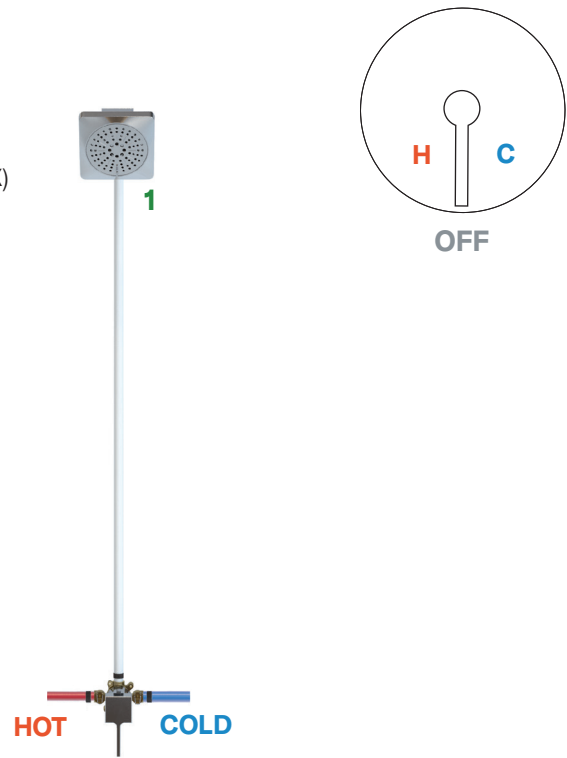




PRESSURE BALANCE - 1 FUNCTION

R51

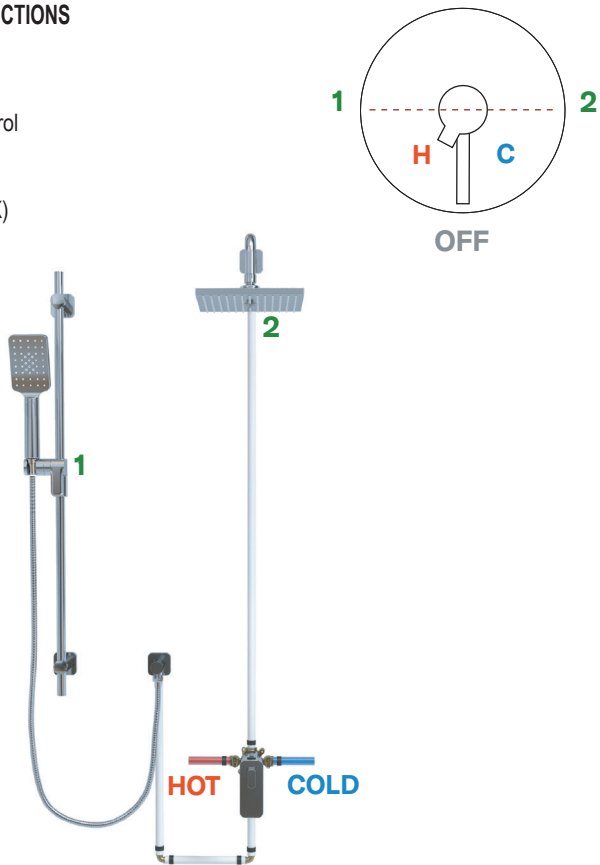
- 5.8 GPM
- Temperature and volume control
- Recommended inlet connections:
1/2" NPT, PEX (SPEX), Expansion Pex (EX)
- Must add valve trim TXX51



1/2" THERM / PRESSURE BALANCE - 2 FUNCTIONS

R23

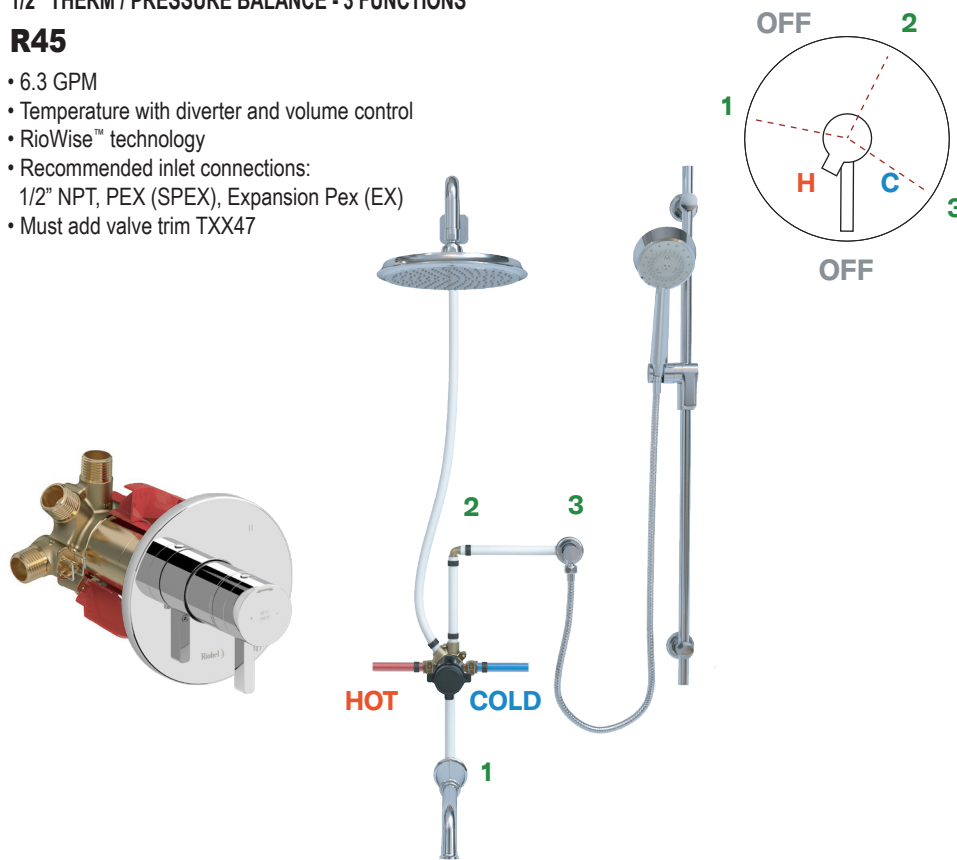
- 6.3 GPM
- Temperature with diverter and volume control
- RioWise™ technology
- Recommended inlet connections:
1/2" NPT, PEX (SPEX), Expansion Pex (EX)
- Must add valve trim TXX44



1/2" THERM / PRESSURE BALANCE - 3 FUNCTIONS

R45

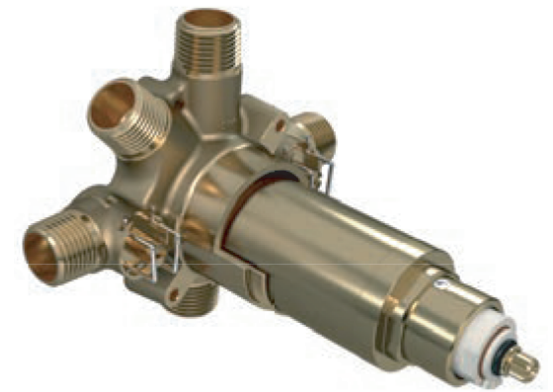
- 6.3 GPM
- Temperature with diverter and volume control
- RioWise™ technology
- Recommended inlet connections:
1/2" NPT, PEX (SPEX), Expansion Pex (EX)
- Must add valve trim TXX47



RIOWISE™ VALVE TECHNOLOGY

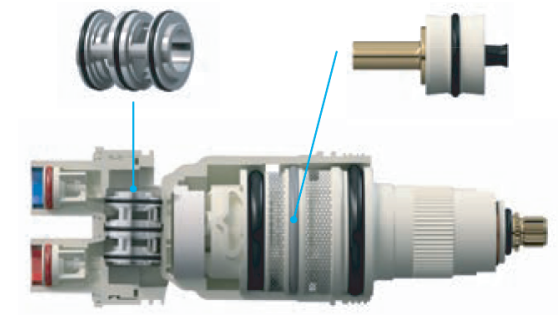
Designed by a Plumber, for a Plumber

RioWise™ Valve Technology offers the best of both pressure balance and thermostatic systems by stabilizing water pressure for steady temperature performance, even in the event of a 50% drop in pressure.



Balancing spool:
Stabilizes water pressure

Temperature sensor:
For steady temperature performance

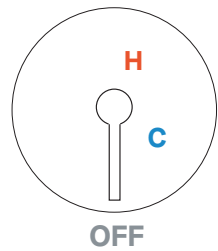
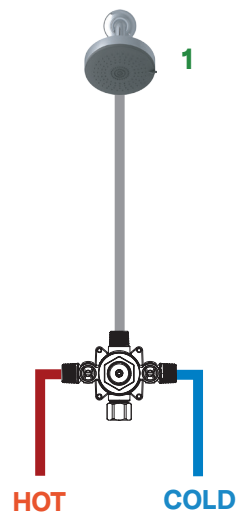
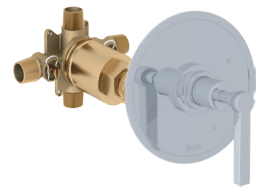


Cartridge

1/2" PRESSURE BALANCE - 1 FUNCTION

RCT-1

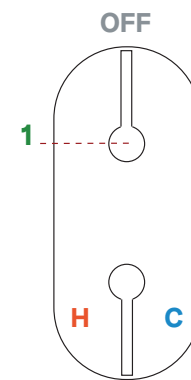
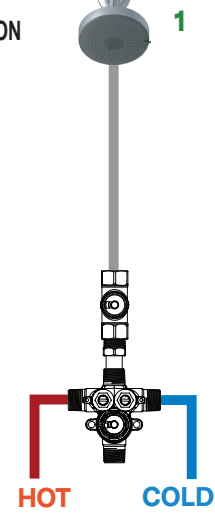
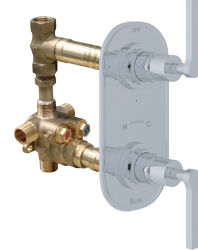
- 6 GPM
- Temperature control only
- Recommended inlet connection: 1/2" NPT
- Extension kit included with valve



1/2" THERMOSTATIC ROUGH VALVE - 1 FUNCTION

R1051BV

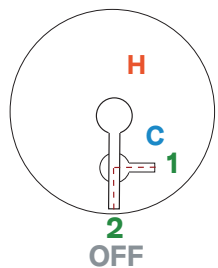
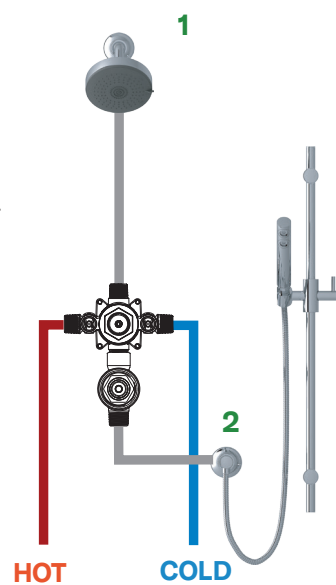
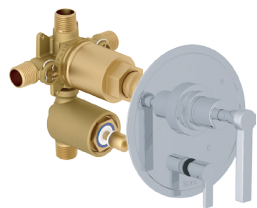
- 6.7 GPM
- Temperature control and diverter
- Recommended inlet connection: 1/2" NPT
- Extension kit included with valve



1/2" PRESSURE BALANCE - 2 FUNCTIONS

RDD-2

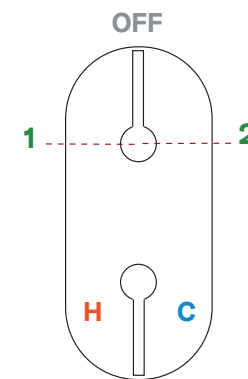
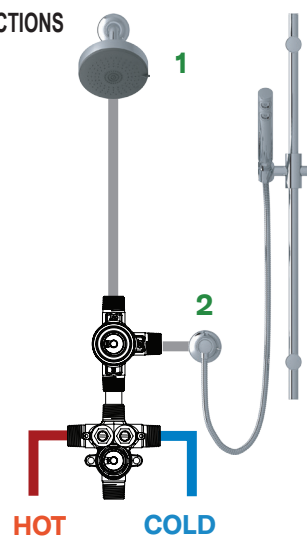
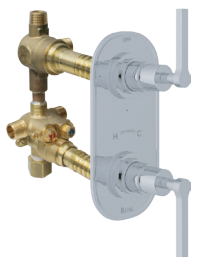
- 5.5 GPM
- Temperature control and diverter
- Recommended inlet connection: 1/2" NPT
- Extension kit included with valve



1/2" THERMOSTATIC ROUGH VALVE - 2 FUNCTIONS

R1052BD

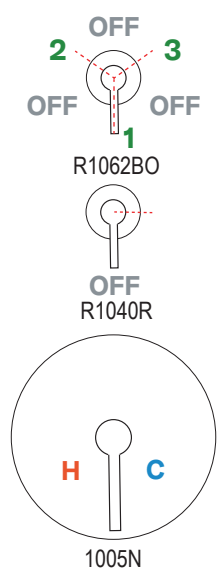
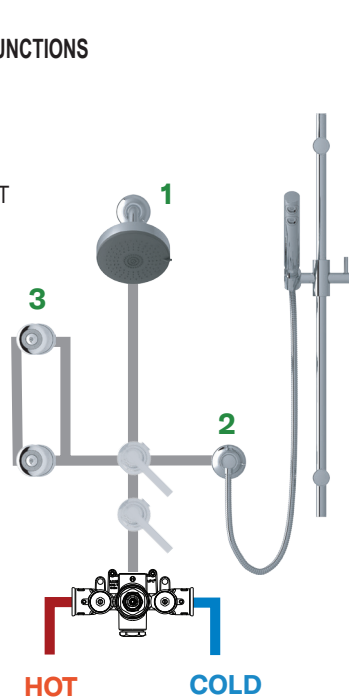
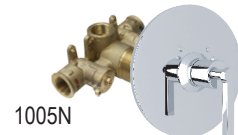
- 5.5 GPM
- Temperature control and diverter
- Recommended inlet connection: 1/2" NPT
- Extension kit included with valve



3/4" THERMOSTATIC ROUGH VALVE - 3 FUNCTIONS

1005N

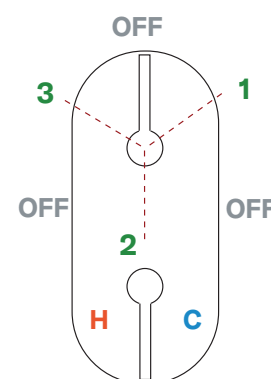
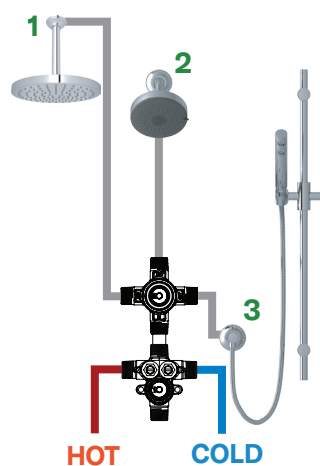
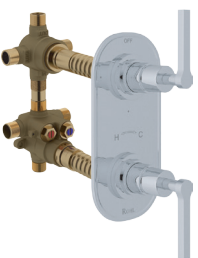
- 12 GPM
- Temperature control only
- Recommended inlet connection: 3/4" NPT
- Extension kit included with valve
- Must add volume control R1040R
- Must add diverter R1062BO



1/2" THERMOSTATIC ROUGH VALVE - 3 FUNCTIONS

R1053BD

- 5 GPM
- Temperature control and diverter
- Recommended inlet connection: 1/2" NPT
- Extension kit included with valve



ROHL

PERRIN & ROWE
MAYFAIR LONDON

Riobel

SHOWER VALVES QUICK GUIDE

HIGH EFFICIENCY