

NEW

BAIN DE VILLE 6030

60" x 30" x 17"

Designed for the urban environment, Bain de Ville immediately brings a touch of modern refinement to any alcove bathroom space. Strong lines, integrated skirt, a wider deck and subtle but purposeful accents make a bold statement.



PRODUCT NO.

DESCRIPTION	TMU	TUB
Alcove - Left	BBVBRA0LT-XX	BBVBRA0LN-XX
Alcove - Right	BBVBRA0RT-XX	BBVBRA0RN-XX

THERMOMASSEUR (TMU) Hydro-thermo massage • Air jet system	\$2,800
Jets	42
1 heated backrest	Included
Mia® Control (not installed)	Included
Geysair®	Included
AromaCloud® BAROMAC	\$399
Illuzio Chromatherapy BCHRO6	\$699

TUB Soaker	\$1,500
AromaCloud** BAROMAC	\$399
Illuzio Chromatherapy BCHRO6	\$699
WarmTouchShell® BWTS	\$899
DOT control	Included with therapy

FEATURES

Installation type	Alcove (3 walls)		
No. of bathers	2	Imp. gallons	33
US gallons	39		

INTEGRATED WASTE & OVERFLOW **BOVERINI-XX** p.10

White 01 , Biscuit 02 , Chrome 07 , Brushed Nickel 09 , Polished Nickel 10	Installed & Included
--	----------------------

STANDARD COLOR p.13

 	Included
White 01 Biscuit 02	

OPTIONS (UPCHARGE APPLICABLE)

COLOR p.13

	\$395
Gray 05	

FINISH p.6

UltraVelour Matte Finish (White only) BVEL	\$350
---	-------

CONTROL (TMU only) p.9

MiaPlus** BMIAP1-XX or BMIAP1-XX	\$245
MiaMulti® BMIAM1-XX	\$660

INTEGRATED WASTE & OVERFLOW **BOVERINI-XX** p.10

Black Chrome 12 , Matte Black 19 , Satin Brass 18	\$100
--	-------

WASTE & OVERFLOW 16" x 35" **BOVER16-XX** p.10

Chrome 07	\$215
White 01 , Biscuit 02	\$239
Brushed Nickel 09 , Polished Nickel 10	\$337

IF REQUIRED BY CONSTRUCTION CODE OR INSTALLED WITH ITD

Brass waste & overflow kit** BDRCOB	\$200
Brass waste kit** BDRCB	\$50
16" x 35" Cable driven Brass waste & overflow kit BOVERBR-XX	\$200



With the AromaCloud® and/or Control on the deck, a complete shower door cannot be installed.

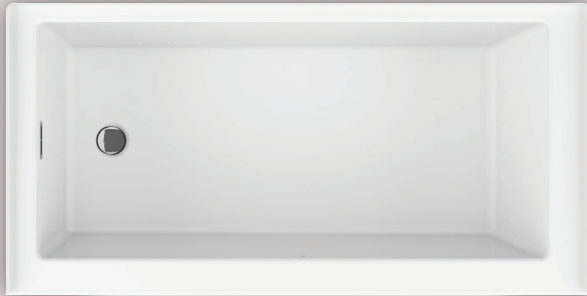
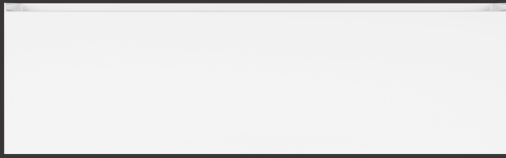
Don't forget to specify the **finish of the integrated waste & overflow.**

* The MiaPlus® Control is included when purchasing Chromatherapy on a TMU.

** When ordered with integrated waste & overflow.

TO ORDER

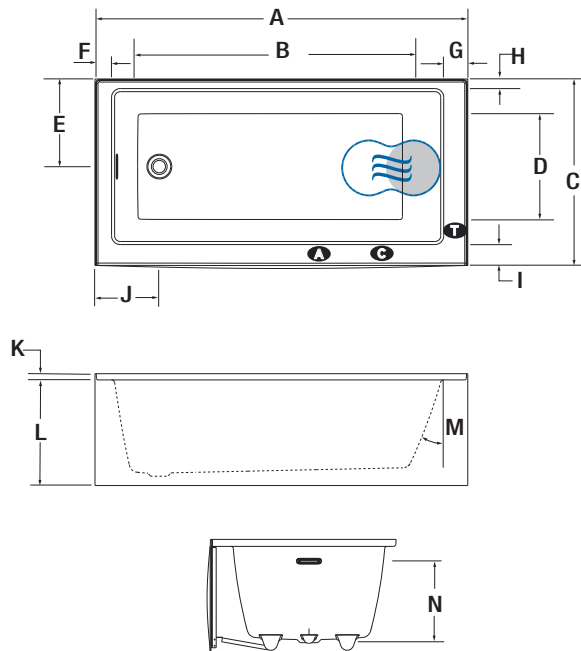
You will find all order forms on www.bainultra.com/extranet
Or send your request to orderdesk@bainultra.com



BAIN DE VILLE 6030



INSTALLATION



LETTER	DESCRIPTION	MEASURE
A	Total length	60"
B	Bathing well length	46 3/8"
C	Total width	30"
D	Bathing well width	20 1/2"
E	Outer edge to center drain (Right side)	14 1/8"
F	Deck width (Drain side)	3 3/16"
G	Deck width (Backrest)	4 3/8"
H	Deck width (Wall side)	2"
I	Deck width (Skirt side)	3 7/8"
J	Outer edge to center drain (Front)	10 3/8"
K	Deck height	1"
L	Height from floor to bottom of deck	17"
M	Slope of backrest	21°
N	Maximum water level	13"

- A** AromaCloud® position
- C** Control position when factory-installed (Mia® or DOT)
- T** Turbine position (TMU)
- Indicates heated backrest (TMU)
- ☞ Indicates WarmTouchShell® position (TUB)

TECHNICAL SPECIFICATIONS

Hot water supply required	Should be 70% of water capacity of TUB or greater.
Turbine	Turbine is factory installed, so access to the pump must be at least 18" x 22". Standard connection is 20 A, 120 V, 60 hz , dedicated line with a Ground-Fault Circuit Interrupter (GFCI). For any additional option, a second line is needed 15 A, 120 V, 60 hz , dedicated line with a GFCI. Air vent necessary: 2" x 4" minimum.
Other	Integrated tile flange is included (specify right or left).

Our products must be installed by certified professionals only and according to our Owner's Manual as well as federal, provincial/state and local building codes and regulations (www.bainultra.com/documentation/documentation).

Approx. shipping weight	125 lbs
Turbine power	550 W
Air heater	600 W

WARRANTY	
Controls-LED-Geysair*	5 years
Bath & turbine*	20 years

* Some restrictions apply | www.bainultra.com/warranty



The specifications shown indicate the outer edge dimension and the inside bathing capacity dimension measured at air jets' height. The manufacturer accepts a 1/4" [0.64 cm] variance. There are variations on each product and specifications are subject to change as we improve upon our product as required. The dimensions needed for site preparation and structure building will differ. BainUltra® assumes no responsibility for preparatory work done prior to the product being on site.

NEW

BAIN DE VILLE 6632

66" x 32" x 20"

Designed for the urban environment, Bain de Ville immediately brings a touch of modern refinement to any alcove bathroom space. Strong lines, integrated skirt, a wider deck and subtle but purposeful accents make a bold statement.



PRODUCT NO.

DESCRIPTION	TMU	TUB
Alcove - Left	BBVIRA0LT-XX	BBVIRA0LN-XX
Alcove - Right	BBVIRA0RT-XX	BBVIRA0RN-XX

THERMOMASSEUR (TMU) Hydro-thermo massage • Air jet system	\$3,950
Jets	44
1 heated backrest	Included
Mia® Control (not installed)	Included
Geysair®	Included
AromaCloud® BAROMAC	\$399
Illuzio Chromatherapy BCHRO6	\$699

TUB Soaker	\$2,150
AromaCloud** BAROMAC	\$399
Illuzio Chromatherapy BCHRO6	\$699
WarmTouchShell® BWTS	\$899
DOT control	Included with therapy

FEATURES

Installation type	Alcove (3 walls)		
No. of bathers	2	Imp. gallons	52
US gallons	62		

INTEGRATED WASTE & OVERFLOW **BOVERINI-XX** p.10

White 01 , Biscuit 02 , Chrome 07 , Brushed Nickel 09 , Polished Nickel 10	Installed & Included
--	----------------------

STANDARD COLOR p.13

 White 01  Biscuit 02	Included
---	----------

OPTIONS (UPCHARGE APPLICABLE)

COLOR p.13

 Gray 05	\$395
--	-------

FINISH p.6

UltraVelour Matte Finish (White only) BVEL	\$350
---	-------

CONTROL (TMU only) p.9

MiaPlus** BMIAP1-XX or BMIAP1-XX	\$245
MiaMulti® BMIAM1-XX	\$660

INTEGRATED WASTE & OVERFLOW **BOVERINI-XX** p.10

Black Chrome 12 , Matte Black 19 , Satin Brass 18	\$100
--	-------

WASTE & OVERFLOW 16" x 35" **BOVER16-XX** p.10

Chrome 07	\$215
White 01 , Biscuit 02	\$239
Brushed Nickel 09 , Polished Nickel 10	\$337

IF REQUIRED BY CONSTRUCTION CODE OR INSTALLED WITH ITD

Brass waste & overflow kit** BDRCOB	\$200
Brass waste kit** BDRCB	\$50
16" x 35" Cable driven Brass waste & overflow kit BOVERBR-XX	\$200



With the AromaCloud® and/or Control on the deck, a complete shower door cannot be installed.

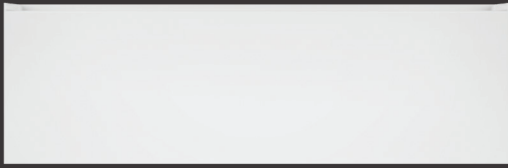
Don't forget to specify the **finish of the integrated waste & overflow.**

* The MiaPlus® Control is included when purchasing Chromatherapy on a TMU.

** When ordered with integrated waste & overflow.

TO ORDER

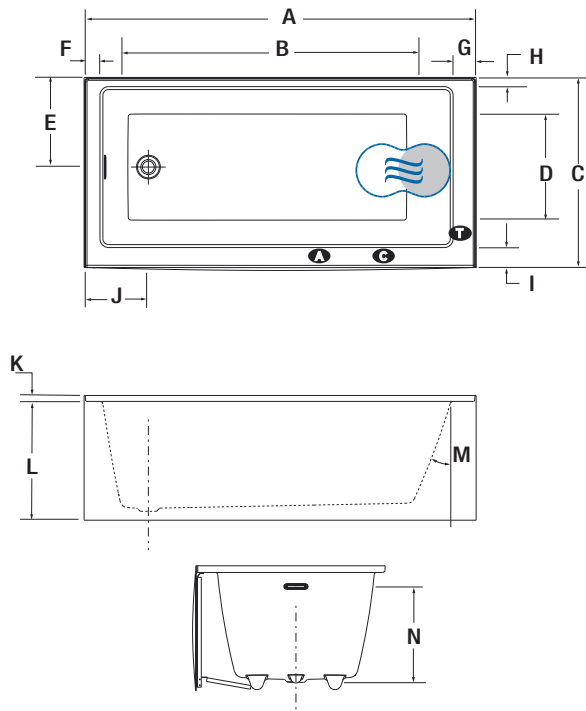
You will find all order forms on www.bainultra.com/extranet
Or send your request to orderdesk@bainultra.com



BAIN DE VILLE 6632



INSTALLATION



LETTER	DESCRIPTION	MEASURE
A	Total length	66"
B	Bathing well length	50 5/8"
C	Total width	32"
D	Bathing well width	21 3/8"
E	Outer edge to center drain (Right side)	15 1/8"
F	Deck width (Drain side)	3 3/16"
G	Deck width (Backrest)	4 3/8"
H	Deck width (Wall side)	2"
I	Deck width (Skirt side)	3 7/8"
J	Outer edge to center drain (Front)	10 7/8"
K	Deck height	1"
L	Height from floor to bottom of deck	20"
M	Slope of backrest	21°
N	Maximum water level	16"

- A** AromaCloud® position
- G** Control position when factory-installed (Mia® or DOT)
- T** Turbine position (TMU)
- Indicates heated backrest (TMU)
- ☁ Indicates WarmTouchShell® position (TUB)

TECHNICAL SPECIFICATIONS

Hot water supply required	Should be 70% of water capacity of TUB or greater.
Turbine	Turbine is factory installed, so access to the pump must be at least 18" x 22". Standard connection is 20 A, 120 V, 60 hz , dedicated line with a Ground-Fault Circuit Interrupter (GFCI). For any additional option, a second line is needed 15 A, 120 V, 60 hz , dedicated line with a GFCI. Air vent necessary: 2" x 4" minimum.
Other	Integrated tile flange is included (specify right or left).

Our products must be installed by certified professionals only and according to our Owner's Manual as well as federal, provincial/state and local building codes and regulations (www.bainultra.com/documentation/documentation).

Approx. shipping weight	140 lbs
Turbine power	550 W
Air heater	600 W

WARRANTY	
Controls-LED-Geysair*	5 years
Bath & turbine*	20 years

* Some restrictions apply | www.bainultra.com/warranty



The specifications shown indicate the outer edge dimension and the inside bathing capacity dimension measured at air jets' height. The manufacturer accepts a 1/4" [0.64 cm] variance. There are variations on each product and specifications are subject to change as we improve upon our product as required. The dimensions needed for site preparation and structure building will differ. BainUltra® assumes no responsibility for preparatory work done prior to the product being on site.