



**BALDWIN**<sup>®</sup>  
TOUCHSCREEN

**Customer Presentation  
New Product Introduction  
August 19, 2019**

# Touchscreen Deadbolt Overview

## BALDWIN®

### TOUCHSCREEN

*Luxurious Simplicity. Bold Design*

Beautifully Baldwin, this new offering combines a Touchscreen and SecureScreen technology with bold Baldwin design to create a simple electronic connected solution.



**Minneapolis**  
Touchscreen Deadbolt  
*Shown in Satin Nickel  
(150)*



**Boulder**  
Touchscreen Deadbolt  
*Shown in Venetian Bronze  
(112)*



*Available in 17 Finishes*

# Touchscreen Deadbolt Features

*Beautifully Baldwin. Luxurious Simplicity.*



## Advanced Touchscreen

Activate the Touchscreen with your palm or the back of your hand.



## SecureScreen™ Technology

Codes cannot be identified by examining the touchscreen for fingerprints.



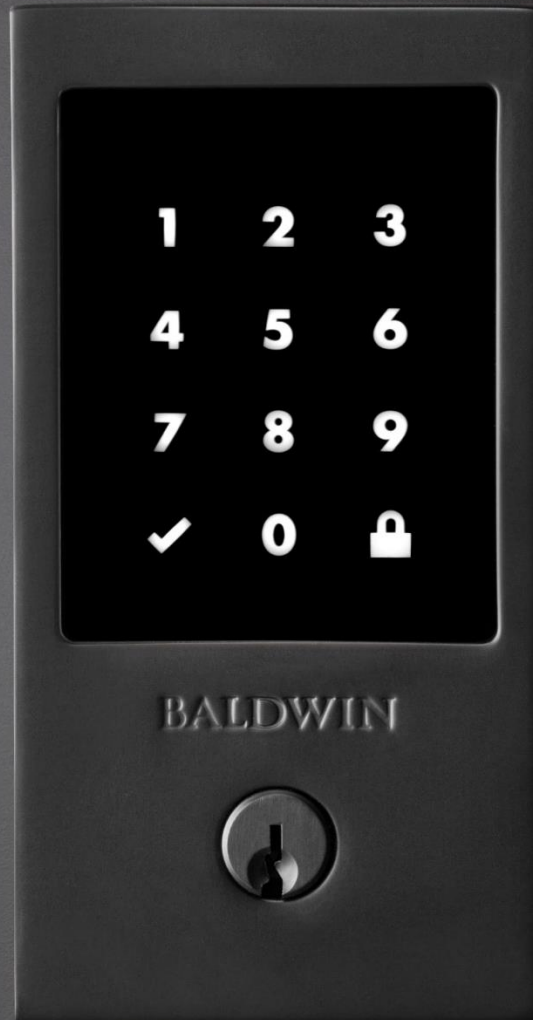
## One Touch Locking

Lock your door with a single touch. No need for a key or code to lock the door.



## Z-Wave Wireless Technology

Wirelessly communicate with security and home automation systems via Z-Wave Technology.



## Offering

- Minneapolis and Boulder Styles
- Pairs with coordinated entry handle grips
- Stand Alone or Z-Wave
- 17 beautiful finishes
- Select finishes available MTS/Quick Ship

## Convenience

- Up to 16 user codes (30 for Z-Wave)
- Installs in minutes with just a screwdriver; No hard wiring needed
- 5 pin C-Keyway

## Security and Certification

- 128-bit Advanced Encryption Standard (AES) communication with Z-Wave 500 chipset.
- ANSI/BHMA Grade 2 certified
- 20 minute UL deadbolt rating



# Touchscreen Deadbolt Features

## Responsive Touchscreen

Interface uses cool white LEDs for defined illumination in the dark or daylight.

## Custom User Codes

Up to 16 custom user codes (30 for Z-Wave) with 4 to 8 digit code length for family, guests and service professionals.

## SecureScreen™ Technology

Provides additional security by employing random digits prior to entering your personal code to prevent fingerprint and code detection.



## C-Key Cylinder

Includes C-Key cylinder for increased flexibility of keyed or keyless entry.

## Easy Installation

Installs in minutes with just a screwdriver. No hard wiring needed.



## AA Battery Power

Operates on 4 AA batteries (supplied).



## Quick Battery Access

Easily remove the interior cover in seconds to change the batteries.



## Anti-Tamper RF Window Lock

Interior trim offers anti-tamper screws to lock RF window for added security.

## Streamlined Interior Trim

Interior conceals the technology in a smart, sleek design that is smaller than other electronic products on the market.

## Z-Wave Wireless Technology

Wirelessly communicate with security and home automation systems via Z-Wave Technology.



## One Touch Locking

Lock your door with a single touch. No need for a key or code to lock the door.



## Indicator light

Interior trim will blink green, amber or red to indicate unlocked, locked or low battery status.

# MTO Product Offering

## Touchscreen Deadbolt



Minneapolis  
Touchscreen  
Deadbolt

8225.xxx  
8225.xxx.ZW



Boulder  
Touchscreen  
Deadbolt

8235.xxx  
8235.xxx.ZW

## 17 Finishes Available



## Handle Grip



Minneapolis  
Handle Grip  
with Lakeshore Lever

85390.xxx.ACRH  
85390.xxx.ACLH



Boulder  
Handle Grip  
with Beavertail Lever

85353.xxx.ACRH  
85353.xxx.ACLH



Canterbury  
Handle Grip  
with Wave Lever

85305.xxx.ACRH  
85305.xxx.ACLH

## Touchscreen Dummy Handleset



Minneapolis  
Touchscreen Dummy  
Handleset with  
Lakeshore Lever

85393.xxx.RFD  
85393.xxx.LFD



Boulder  
Touchscreen Dummy  
Handleset with  
Beavertail Lever

85358.xxx.RFD  
85358.xxx.LFD



Canterbury  
Touchscreen Dummy  
Handleset with  
Wave Lever

85306.xxx.RFD  
85306.xxx.LFD

MTS SKUs Available To Order October 7, 2019

# MTS Product Offering



## Minneapolis Touchscreen Deadbolt

- 8225.xxx
- 8225.xxx.ZW

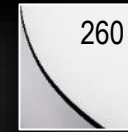


## Minneapolis Touchscreen Handleset

- 85393.xxx.RENT
- 85393.xxx.LENT
- 85393.xxx.ZWRENT
- 85393.xxx.ZWLENT



150  
Satin Nickel



260  
Polished Chrome



190  
Satin Black

### Program Details

- Ships in 3 days from CFC
- Deadbolts & Handlesets
- Stand Alone and Z-Wave
- 4 Finishes
- 44 SKUs

QUICK SHIP



ships in 3 days

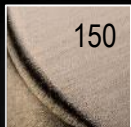


## Boulder Touchscreen Deadbolt

- 8235.xxx
- 8235.xxx.ZW



003  
Polished Brass



150  
Satin Nickel

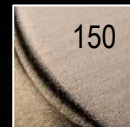


112  
Venetian Bronze



## Boulder Touchscreen Handleset

- 85358.xxx.RENT
- 85358.xxx.LENT
- 85358.xxx.ZWRENT
- 85358.xxx.ZWLENT



150  
Satin Nickel

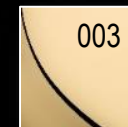


112  
Venetian Bronze

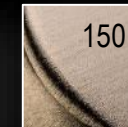


## Canterbury Touchscreen Handleset

- 85306.xxx.RENT
- 85306.xxx.LENT
- 85306.xxx.ZWRENT
- 85306.xxx.ZWLENT



003  
Polished Brass



150  
Satin Nickel



112  
Venetian Bronze

# Part Number Explanation

## STYLE . FINISH . FUNCTION/CONFIGURATION

XXXXXX . XXX . XXXXXXXX

Type	Style#	Style Name	Finish#	Function/Configuration	
Touchscreen Deadbolt	8220	Minneapolis	003, 031, 033, 044 050, 055, 056, 151 060, 102, 112, 150 190, 260, 264, 402 452	(None)	Stand Alone
	8235	Boulder		ZW	Z-Wave
Handle Grip	85390	Minneapolis		ARCH	Right Hand Door Left Hand Door
	85353	Boulder		ALCH	
	85305	Canterbury			
Touchscreen Dummy Handleset	85393	Minneapolis		RFD LFD	Right Hand Door Left Hand Door
	85358	Boulder			
	85306	Canterbury			
Touchscreen Handleset	85393	Minneapolis		150, 260, 190	RENT LENT ZWRENT ZWLENT
	85358	Boulder	112, 150		
	85306	Canterbury	003, 112, 150		

**Limited Lifetime Mechanical Warranty:** Baldwin warrants that each Baldwin product shall be free of mechanical defect for the original purchaser for as long as you own your home.

**Limited Electronic Warranty:** Baldwin Estate electronic products come with a 1 year electronic warranty to the original residential user of the product against defects in material and workmanship as long as the original user occupies the residential premises upon which the product was originally installed. This warranty does not cover scratches, abrasions, deterioration due to the use of paints, solvents or other chemicals, abuse, misuse, or product used in commercial applications.

**Limited Lifetime Finish™ Warranty:** The Baldwin Lifetime Finish uses advanced finishing technology (physical vapor deposition) to create a finish highly resistant to the effects of weather and normal wear and tear. The Limited Lifetime Finish Warranty on Lifetime Finish™ products covers the original purchaser for as long as you own your home.

**Limited Finish Warranty:** The finish on Baldwin products (excluding Lifetime Finish and living finish products) is protected by a durable topcoat designed to maintain the beauty and quality of the Baldwin product. The Baldwin Limited Finish Warranty covers the original purchaser for five years from date of purchase for interior use and one year for exterior use.

**Living Finishes:** Due to the nature of Baldwin living finish products, they will wear over time and may already have begun the process before reaching your home. No finish warranty is offered on living finish products, which are designed to age and improve over time. Living finishes include raw brass, oil rubbed bronze, stainless steel, and other non-lacquered or non-PVD finishes.

# Door Thickness

	Up to 1-3/8"	1-3/8" to 1-3/4"	1-3/4"	2" to 2-1/4"
Touchscreen Deadbolt	Not Available		Standard	Service Part
Touchscreen Handleset	Not Available		Standard	Service Part
Touchscreen Dummy Handleset	Not Available		Standard	Service Part
Handle Grip	Not Available		Standard	Service Part

# Thick Door Kit Service Part

Item	Part#	Description	Finish
Thick Door Kit	5399.xxx.A	Conversion kit for Sectional Tubular Handleset, Evolved Deadbolt, Touchscreen Deadbolt, Touchscreen Handleset, Touchscreen Dummy Handleset and Tubular Grip Handle.	All 17 Finishes

**BALDWIN** 5399.xxx.A  
THICK DOOR CONVERSION KIT

PK 1286 Rev 01 INSTALLATION GUIDE 1-800-566-1986 | BALDWINHARDWARE.COM

Required tools	Parts in the box	*Installation is the same regardless of model shown
	Silver Plated Spacer (A) Brass Plated Spacer (B) Traditional Cylinder Tailpiece (C) Evolved / Touchscreen Tailpiece (D)	10-32 x 1.50" long, pan head screws (E) 10-32 x 2.51" long, pan head screws (G) 10-32 x 1.50" long, flat head screws (F) 10-32 x 2.51" long, flat head screws (H) 10-32 x 3.14" long, counter-sink screws (J) Shim (K)

**1 DEADBOLT CONVERSION**

**a** Make sure the key is not in the cylinder, and lay the cylinder on a flat surface with the tailpiece facing up.

**b** Press the pin on the back of the cylinder with a paper clip, and turn the cap counterclockwise. Remove the cap, washer, and tailpiece.

**c** Install the cap and washer onto the new tailpiece, and place the assembly onto the cylinder. Press the pin down, and turn the cap clockwise to tighten. Once fully tightened, rotate the cap counterclockwise one notch.

**d** Make sure the latch bolt is fully extended before installing the interior and exterior deadbolt assemblies.

**2 LOCK INSTALLATION**

**a** Refer to the lockset illustrations on the back page and parts in the box to select correct conversion fasteners for 2" or 2-1/4" doors.

**b** Select correct spacer based on door thickness:

2" Door	2-1/4" Door
Silver Plated Spacer (A)	Brass Plated Spacer (B)

**c** All other fasteners not specified in this kit are included with your lockset.

**d** Follow installation instructions provided with your lockset, using fasteners included in this kit. Refer to the lockset illustrations on the back page for correct fastener locations.

1 / 2

**SECTIONAL TRIM LOCKSETS**

**EVOLVED / TOUCHSCREEN LOCKSETS**

**Consumer Help Line**  
1-800-566-1986

**WARNING:** This Manufacturer advises that no lock can provide complete security by itself. This lock may be defeated by forcible or technical means, or evaded by entry elsewhere on the property. No lock can substitute for caution, awareness of your environment, and common sense. Builder's hardware is available in multiple performance grades to suit the application. In order to enhance security and reduce risk, you should consult a qualified locksmith or other security professional.

**WARRANTY INFORMATION**  
Refer to www.baldwinhardware.com for a complete warranty statement.

2 / 2 © 2019 Spectrum Brands, Inc.

# Overview – Deadbolts

*The Convenience of Keyless  
Entry with the Ultimate in  
Touchscreen Security*



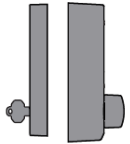
**BALDWIN**

**TOUCHSCREEN**

- 2 Deadbolt styles, Minneapolis and Boulder
- Available in 17 finishes
- Stand Alone and Z-Wave models
- 4 week lead time
- Activate the Touchscreen with your palm or the back of your hand.
- Features SecureScreen™ Technology
- One-Touch Locking
- 16 customizable user codes (30 for Z-Wave version) with 4 to 8 digit code length.
- Wirelessly communicate with security and home automation systems via Z-Wave Technology.

# Functions and Specifications – Deadbolts

## Functions



### Touchscreen/Single Cylinder

*Deadbolt operated by electronic touchscreen and key outside and turn-piece inside.*

## Specifications

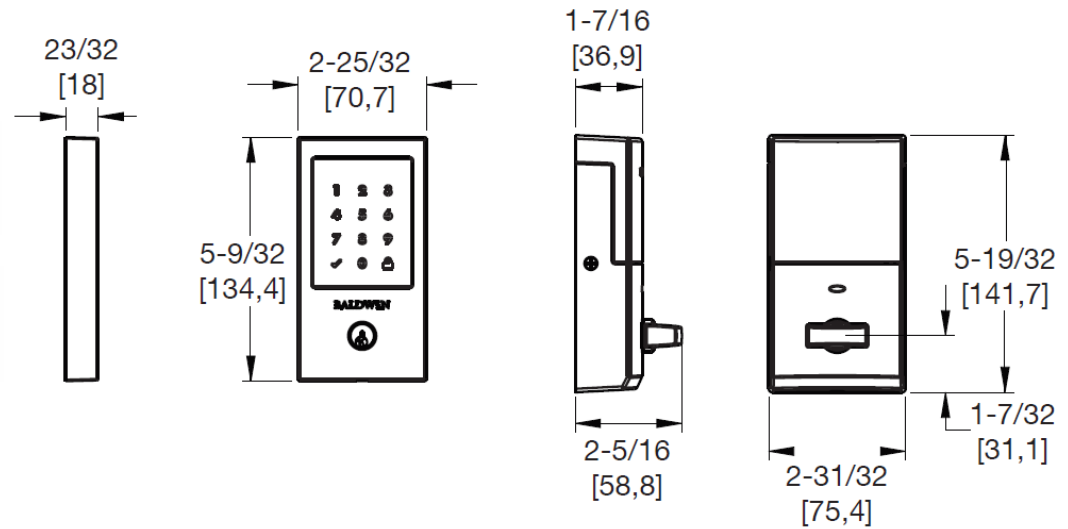
SOLID BRASS	Deadbolt trim manufactured of solid brass for maximum strength and durability.
DOOR THICKNESS	1-3/4" standard with service part conversion kit available for 2" and 2-1/4" thick doors.
BOLT	Deadbolt has 1" solid brass tapered bolt and a hardened steel insert for maximum security.
BACKSET	Adjustable backset 2-3/8" or 2-3/4".
FACE PLATE	1" square corner face plate. Round corner face plate available as a service part.
STRIKE	Full-lip reinforcing steel strike with two (2) 3" security jamb screws, dust box and armored front to conceal the fasteners. Round corner strike available as a service part.
DOOR PREP	2-1/8" cross bore and 1" edge bore for latch.
CYLINDER	C-Key cylinder supplied with 5-pin keying.
ANSI/BHMA	Exceeds Grade 2 requirements in ANSI/BHMA A156.36 test standard.
UL RATED	20-minute fire rated certified UL deadbolt
SECURITY	128-bit Advanced Encryption Standard (AES) communication with Z-Wave 500 chipset.
POWER	Deadbolt requires four AA batteries (supplied).
SMART HOME DEVICES	Wirelessly communicate with security and home automation systems via Z-Wave Technology.

# Minneapolis Touchscreen Deadbolt (8225)



Item#	Description	Tier 1 Finish	Tier 2 Finish
		003, 031, 033 050, 060, 102 112, 150, 151 190, 260, 264	044 055, 056 402, 452
8225.xxx	Touchscreen Deadbolt Stand Alone	\$440.00	\$472.00
8225.xxx.ZW	Touchscreen Deadbolt Z-Wave	\$530.00	\$564.00

## Finishes Available

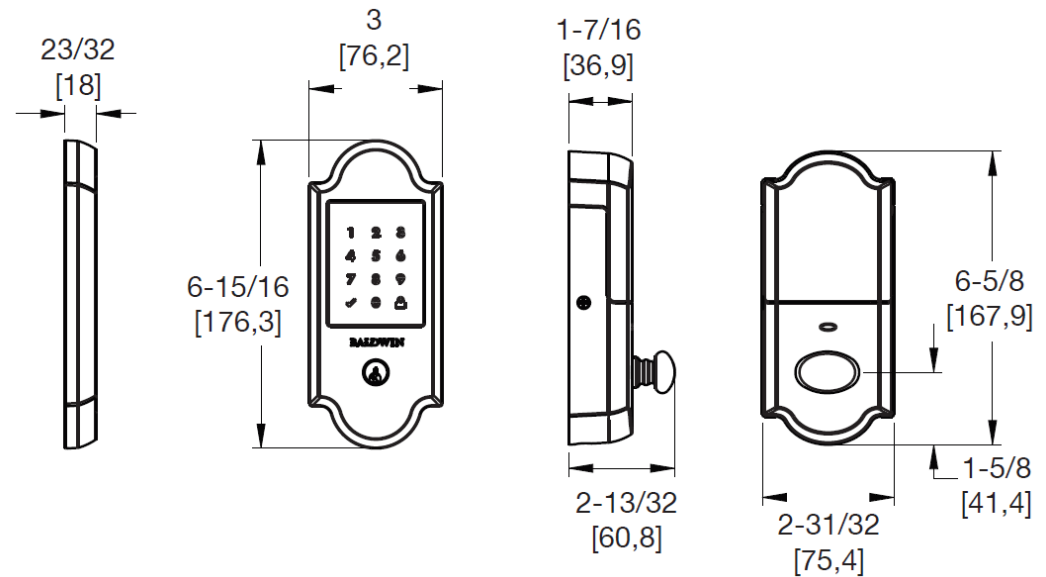


# Boulder Touchscreen Deadbolt (8235)

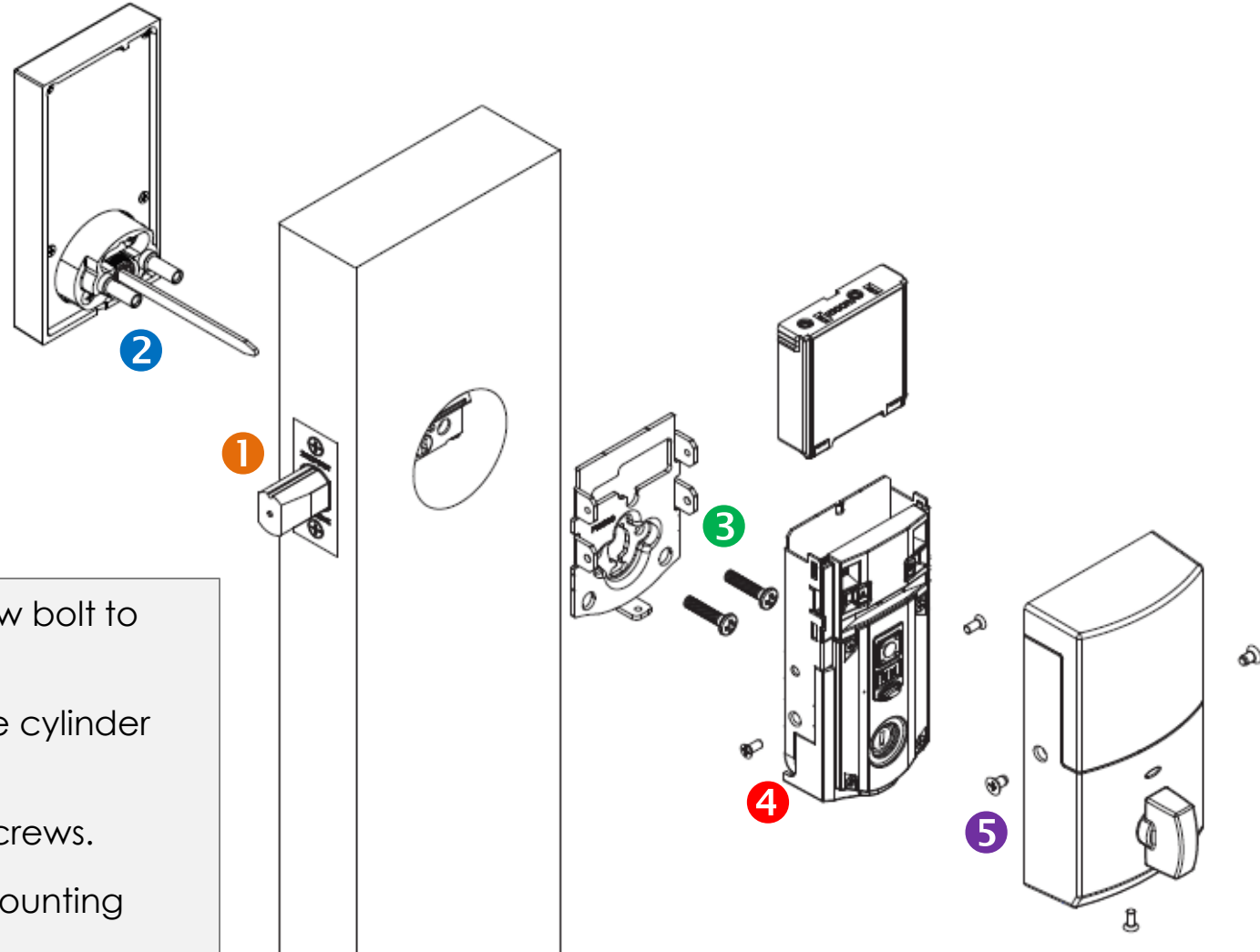


Item#	Description	Tier 1 Finish	Tier 2 Finish
		003, 031, 033 050, 060, 102 112, 150, 151 190, 260, 264	044 055, 056 402, 452
8235.xxx	Touchscreen Deadbolt Stand Alone	\$440.00	\$472.00
8235.xxx.ZW	Touchscreen Deadbolt Z-Wave	\$530.00	\$564.00

## Finishes Available



# Installation – Deadbolt



- 1 Install deadbolt latch and throw bolt to locked position.
- 2 Install exterior assembly. Ensure cylinder flat blade orientation is correct.
- 3 Install bracket with mounting screws.
- 4 Install electronic interior with mounting screws.
- 5 Install interior trim with screws.

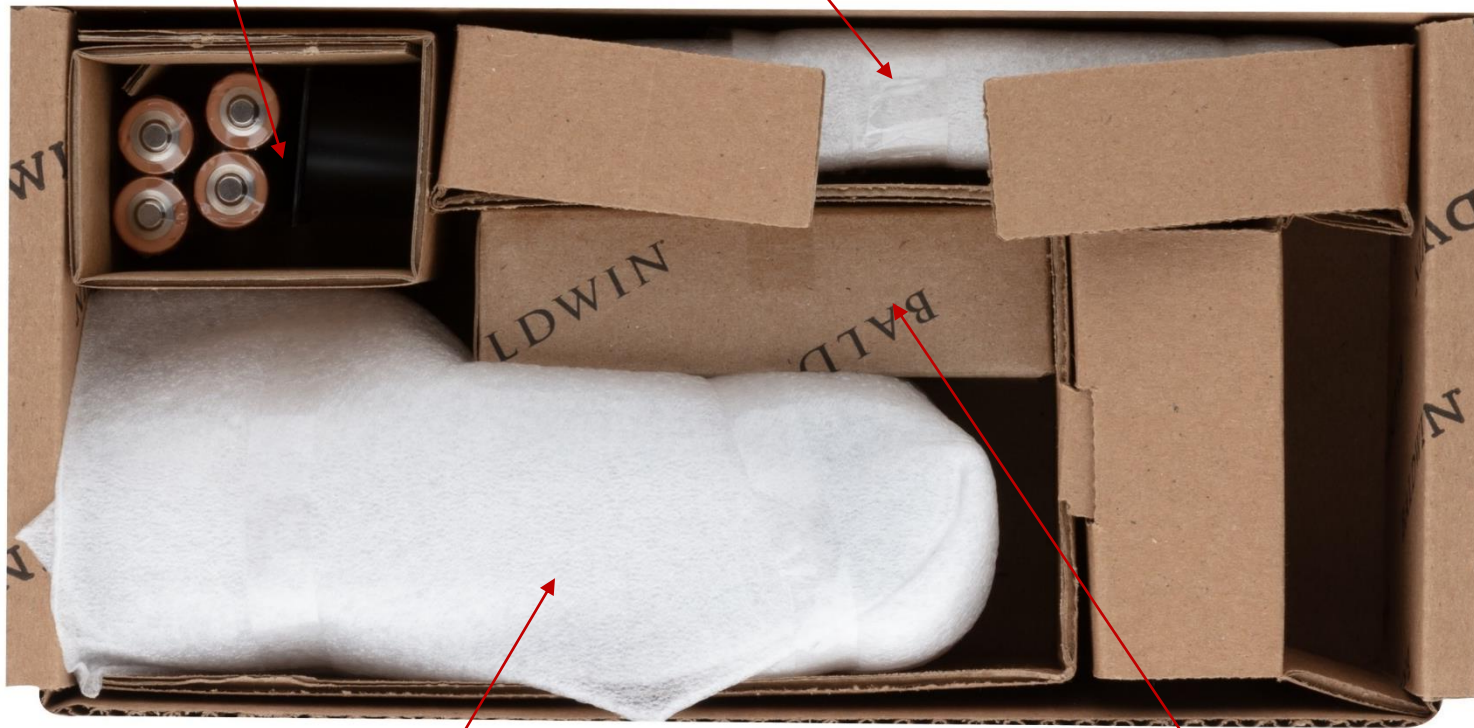
*Minneapolis style shown above (8225).*

# Packaging – Deadbolt

UNIT	HEIGHT (in)	WIDTH (in)	DEPTH (in)	WEIGHT (lbs)
Minneapolis	3.55"	4.95"	10.50"	4.35"
Boulder	3.55"	4.95"	10.50"	4.55"

Parts Compartment  
Duracell AA Batteries  
and Dust Box

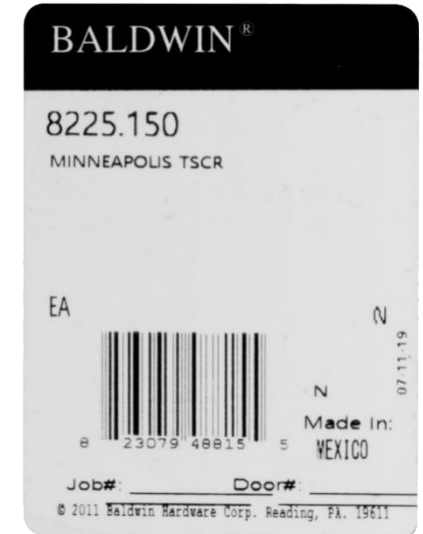
Exterior Trim  
Touchscreen Trim Assembly



Interior Trim  
Interior Trim Cover, Electronic  
Interior and Mounting Bracket

Parts Box  
Latch, Strike, Installation  
Screws, Dust Box, Keys, etc.

Unit Label



# Overview – Handle Grip

BALDWIN®  
TOUCHSCREEN

*Touchscreen Deadbolts Elegantly  
Pair with Coordinated Traditional,  
Contemporary and Rustic Handle  
Grip Entry Door Styles*

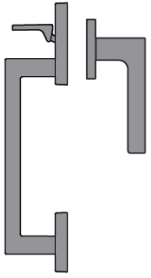
- 3 handle grip styles, Minneapolis, Boulder and Canterbury.
- 17 finishes
- 4 week lead time
- Touchscreen deadbolts pair with coordinated Traditional, Contemporary and Rustic handle grips.



*Minneapolis Handle Grip Style Show Above (85390.190.xxxx)*

# Functions and Specifications – Handle Grip

## Functions



### Entry

*Latch bolt operated by thumb-piece grip outside and lever inside.*

## Specifications

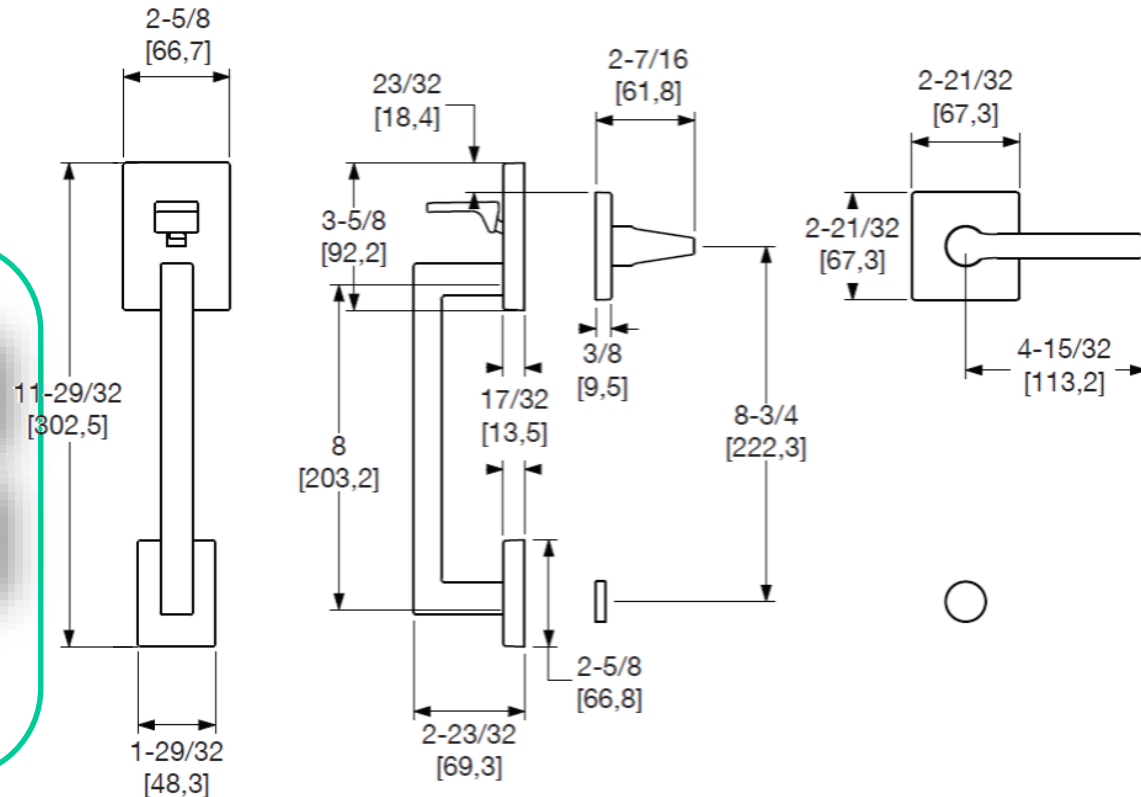
SOLID BRASS	Handle grip, lever and rosette manufactured of solid brass for maximum strength and durability.
DOOR THICKNESS	1-3/4" standard with service part conversion kit available for 2" and 2-1/4" thick doors.
BOLT	Grip latch has a brass bolt with a 0.5" throw.
BACKSET	Adjustable backset 2-3/8" or 2-3/4".
FACE PLATE	1" square corner face plate. Round corner face plate available as a service part.
STRIKE	Full-lip square corner strike included. Round corner strike available as a service part.
CENTER-TO-CENTER DIMENSION	Accommodates any center-to-center dimension greater than 3-9/32" (Minneapolis) and 4-2/32" (Boulder and Canterbury).
DOOR PREP	2-1/8" cross bore and 1" edge bore for latch.

# Minneapolis Handle Grip (85390)



Item#	Description	Tier 1 Finish	Tier 2 Finish
		003, 031, 033 050, 060, 102 112, 150, 151 190, 260, 264	044 055, 056 402, 452
85390.xxx.ACRH	Entry Handle Grip (RH)	\$382.00	\$398.00
85390.xxx.ACLH	Entry Handle Grip (LH)	\$382.00	\$398.00

## Finishes Available

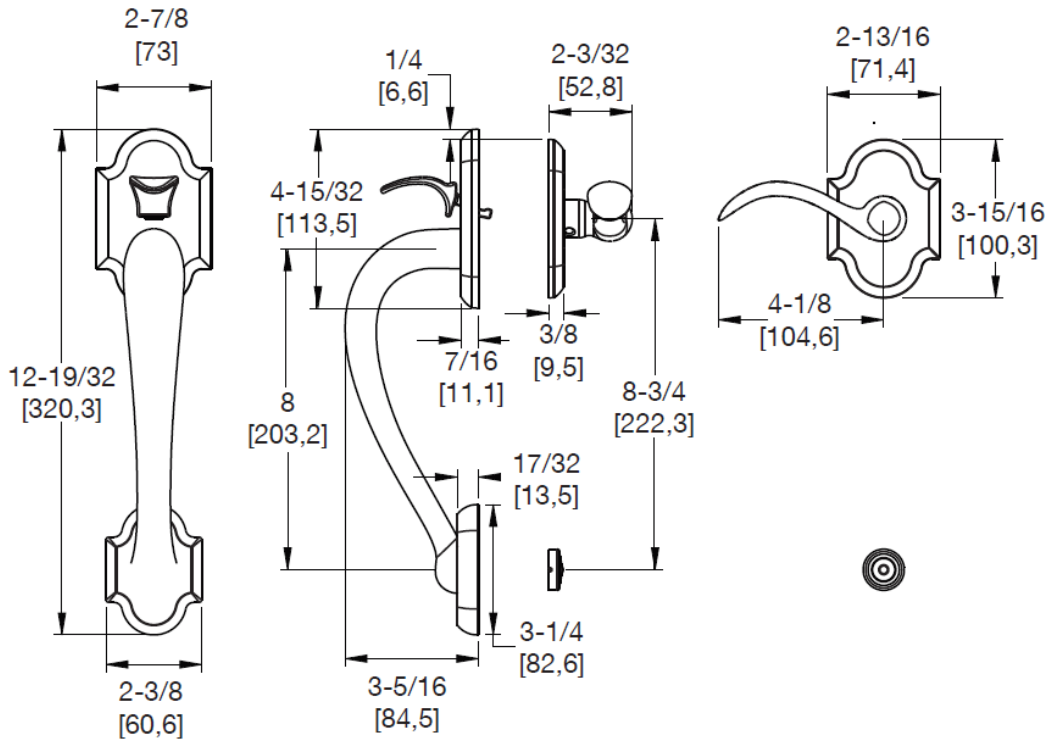


# Boulder Handle Grip (85353)



Item#	Description	Tier 1 Finish	Tier 2 Finish
		003, 031, 033 050, 060, 102 112, 150, 151 190, 260, 264	044 055, 056 402, 452
85353.xxx.ACRH	Entry Handle Grip (RH)	\$382.00	\$398.00
85353.xxx.ACLH	Entry Handle Grip (LH)	\$382.00	\$398.00

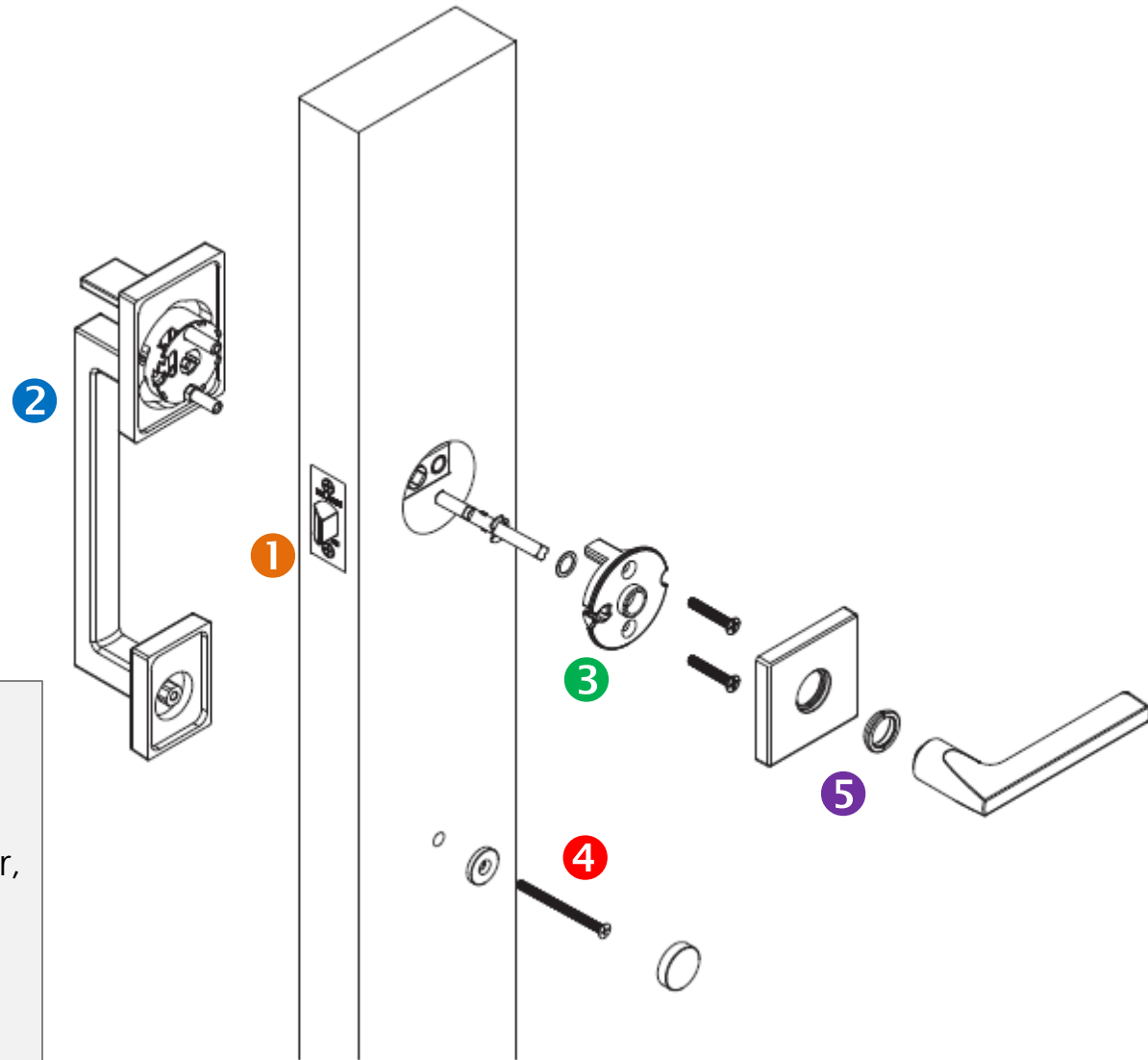
### Finishes Available





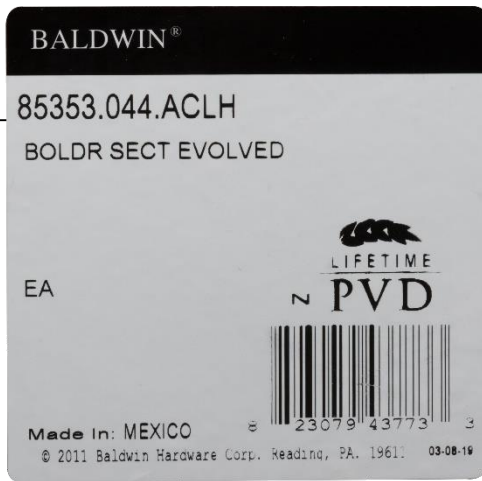
# Installation – Handle Grip

- 1 Install latch.
- 2 Install exterior handle grip assembly.
- 3 Install interior spindle, washer and adapter, tighten with mounting screws.
- 4 Install interior through bolt-screw and washer. Assemble with decorative cap.
- 5 Install rosette, retaining ring and lever. Tighten set screw with wrench provided.



*Minneapolis style shown above (85390).*

# Packaging – Handle Grip



UNIT	HEIGHT (in)	WIDTH (in)	DEPTH (in)	WEIGHT (lbs)
Minneapolis	5.38"	10.19"	26.00"	7.80
Boulder	5.38"	10.19"	26.00"	6.80"
Canterbury	5.38"	10.19"	26.00"	5.80"

Lever Trim

Parts Box  
 Latch, Strike, Installation  
 Screws, Dust Box, Keys, etc.



Exterior Trim  
 Exterior Handle Grip Trim Assembly

Rosette Trim

# Overview – Touchscreen Handleset



## BALDWIN®

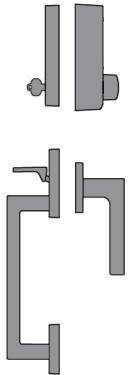
## TOUCHSCREEN

*The Convenience of Keyless  
Entry with the Ultimate in  
Touchscreen Security and  
Design*

- 3 handleset styles, Minneapolis, Boulder and Canterbury
- Available in 5 finishes
- Stand Alone and Z-Wave models
- Quick Ship/MTS: Ships in 3 days from CFC
- Activate the Touchscreen with your palm or the back of your hand.
- Features SecureScreen™ Technology
- One-Touch Locking
- 16 customizable user codes (30 for Z-Wave version) with 4 to 8 digit code length.
- Wirelessly communicate with security and home automation systems via Z-Wave Technology.

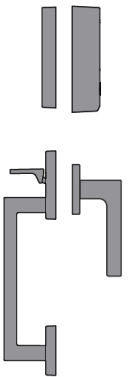
# Functions and Specifications – Touchscreen Handleset

## Functions



### Touchscreen/Single Cylinder

*Deadbolt operated by electronic touchscreen and key outside and turn-piece inside.*



### Touchscreen Full Dummy

*Trim for non-working side of double doors. Matching dummy trim (non-functioning) handleset outside and deadbolt turn-piece and lever inside.*

## Specifications

SOLID BRASS	Manufactured of solid brass for maximum strength and durability.
DOOR THICKNESS	1-3/4" standard with service part conversion kit available for 2" and 2-1/4" thick doors.
LATCH BOLT	Deadbolt has 1" solid brass tapered bolt and a hardened steel insert for maximum security. Grip latch has a brass bolt with a 0.5" throw.
BACKSET	Adjustable backset 2-3/8" or 2-3/4".
FACE PLATE	1" square corner face plate. Round corner face plate available as a service part.
STRIKE	Full-lip reinforcing steel strike with two (2) 3" security jamb screws, dust box and armored front to conceal the fasteners. Round corner strike available as a service part.
CENTER-TO-CENTER DIMENSION	Accommodates any center-to-center dimension greater than 3-9/32" (Minneapolis) and 4-2/32" (Boulder and Canterbury).
DOOR PREP	2-1/8" cross bore and 1" edge bore for latch.
CYLINDER	C-Key cylinder supplied with 5-pin keying.
ANSI/BHMA	Exceeds Grade 2 requirements in ANSI/BHMA A156.36 test standard.
UL RATED	20-minute fire rated certified UL deadbolt
SECURITY	128-bit Advanced Encryption Standard (AES) communication with Z-Wave 500 chipset.
POWER	Deadbolt requires four AA batteries (supplied).
SMART HOME DEVICES	Wirelessly communicate with security and home automation systems via Z-Wave Technology.

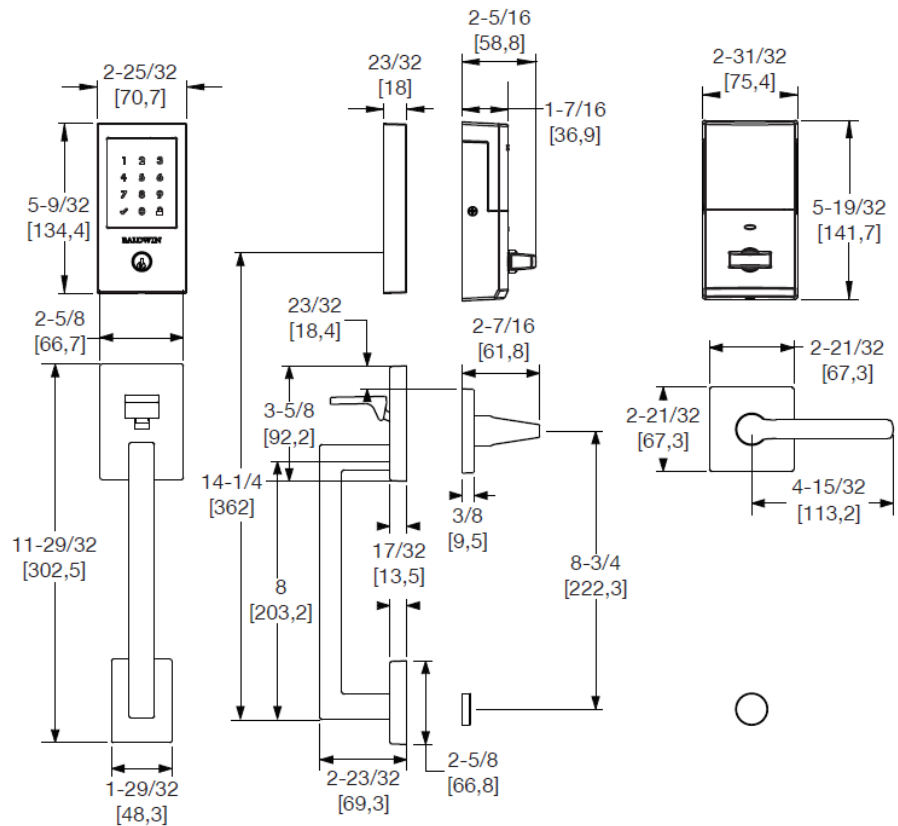
# Minneapolis Touchscreen Handleset (85393)



Tier 1 Finish

Item#	Description	150 260, 190
85393.xxx.RENT	Touchscreen Handleset, Stand Alone (RH)	\$764.00
85393.xxx.LENT	Touchscreen Handleset, Stand Alone (LH)	\$764.00
85393.xxx.ZWRENT	Touchscreen Handleset, Z-Wave (RH)	\$854.00
85393.xxx.ZWLENT	Touchscreen Handleset, Z-Wave (LH)	\$854.00

## Finishes Available



# Boulder Touchscreen Handleset (85358)



Tier 1 Finish

Item#	Description	150, 112
85358.xxx.RENT	Touchscreen Handleset, Stand Alone (RH)	\$764.00
85358.xxx.LENT	Touchscreen Handleset, Stand Alone (LH)	\$764.00
85358.xxx.ZWRENT	Touchscreen Handleset, Z-Wave (RH)	\$854.00
85358.xxx.ZWLENT	Touchscreen Handleset, Z-Wave (LH)	\$854.00

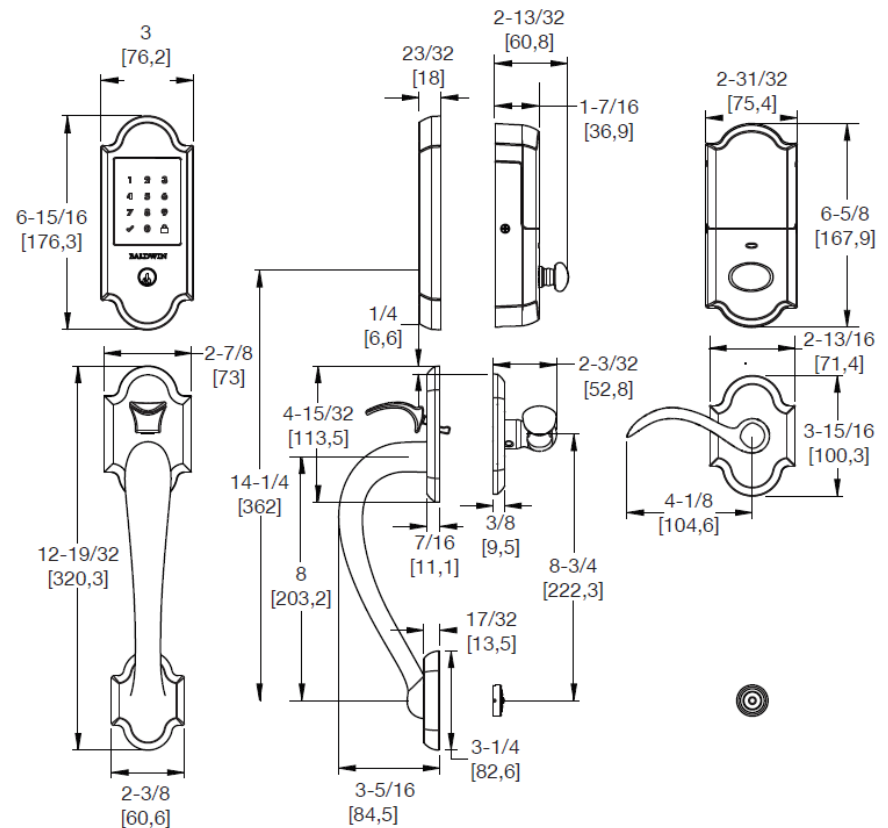
## Finishes Available



150



112



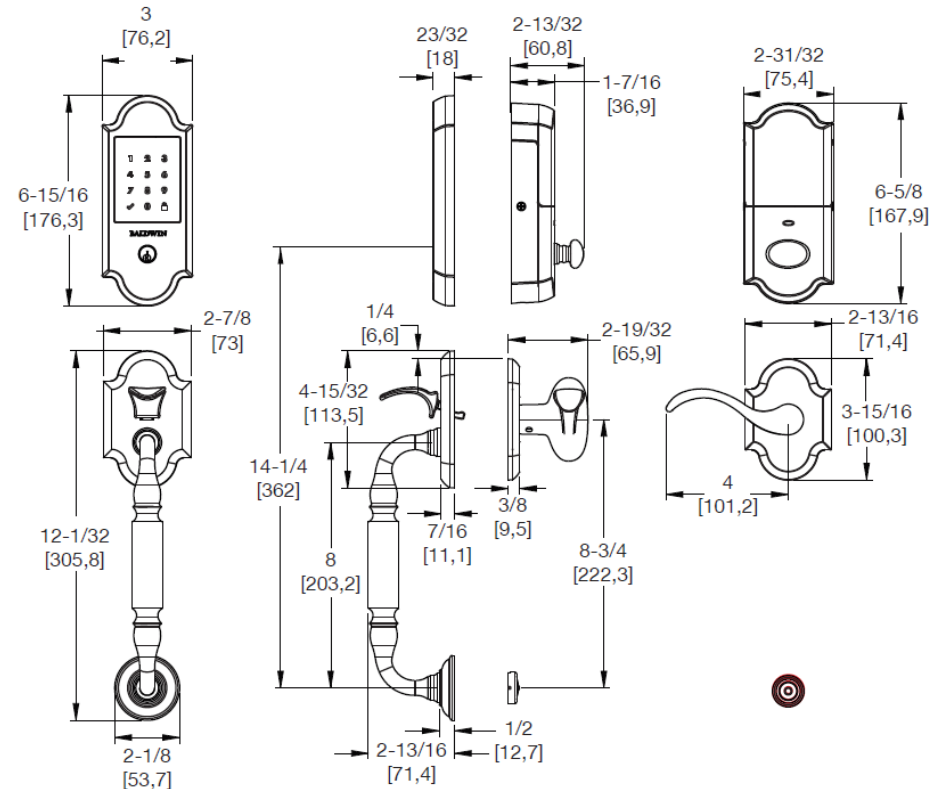
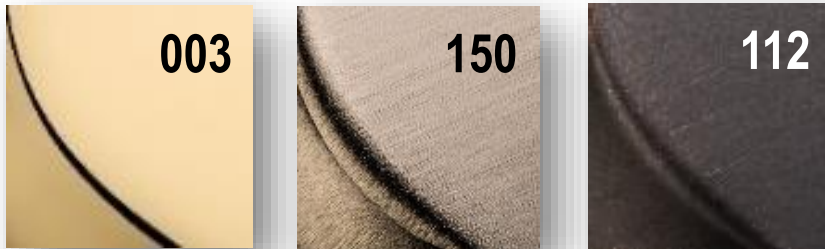
# Canterbury Touchscreen Handleset (85306)



Tier 1 Finish

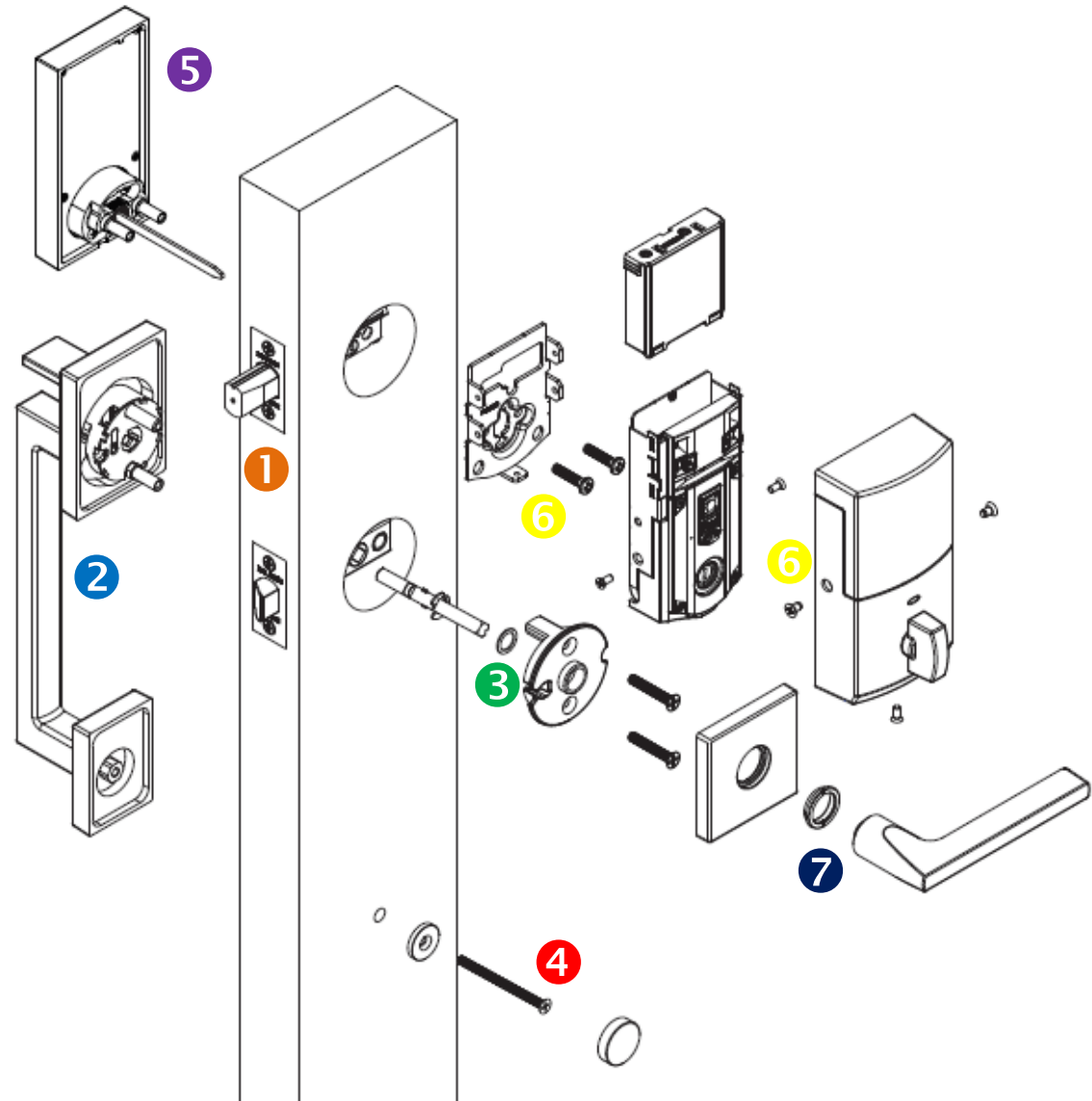
Item#	Description	003 150, 112
85306.xxx.RENT	Touchscreen Handleset, Stand Alone (RH)	\$764.00
85306.xxx.LENT	Touchscreen Handleset, Stand Alone (LH)	\$764.00
85306.xxx.ZWRENT	Touchscreen Handleset, Z-Wave (RH)	\$854.00
85306.xxx.ZWLENT	Touchscreen Handleset, Z-Wave (LH)	\$854.00

## Finishes Available



# Installation – Touchscreen Handleset

- 1 Install both latches.
- 2 Install exterior handle grip assembly.
- 3 Install interior spindle, washer and adapter, tighten with mounting screws.
- 4 Install interior through bolt-screw and washer. Assemble with decorative cap.
- 5 Install exterior deadbolt assembly. Ensure cylinder flat blade orientation is correct.
- 6 Install bracket with mounting screws. Install electronic interior with mounting screws. Install interior trim with screws.
- 7 Install rosette, retaining ring and lever. Tighten set screw with wrench provided.



*Minneapolis style shown above (85393).*

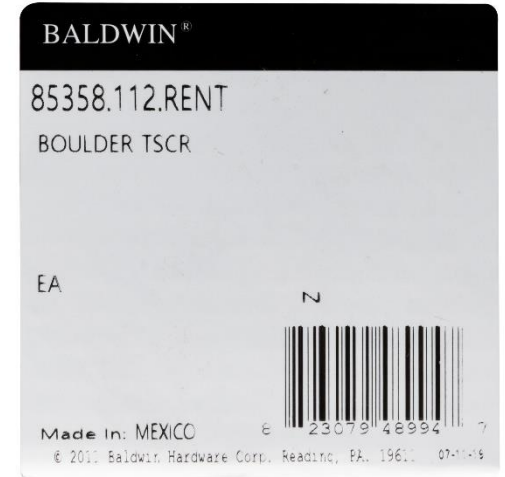
# Packaging – Touchscreen Handleset

Exterior Trim  
Exterior Handle Grip Trim Assembly

UNIT	HEIGHT (in)	WIDTH (in)	DEPTH (in)	WEIGHT (lbs)
Minneapolis	4.13"	9.88"	14.25"	10.80
Boulder	4.13"	9.88"	14.25"	10.00"
Canterbury	4.13"	9.88"	14.25"	9.25"

Exterior Trim  
Exterior Touchscreen Assembly

Unit Label



Handle Grip Adapter

Parts Box (2)  
Lever, Rosette, Latch, Strike, Installation  
Screws, Dust Box, Keys, etc.

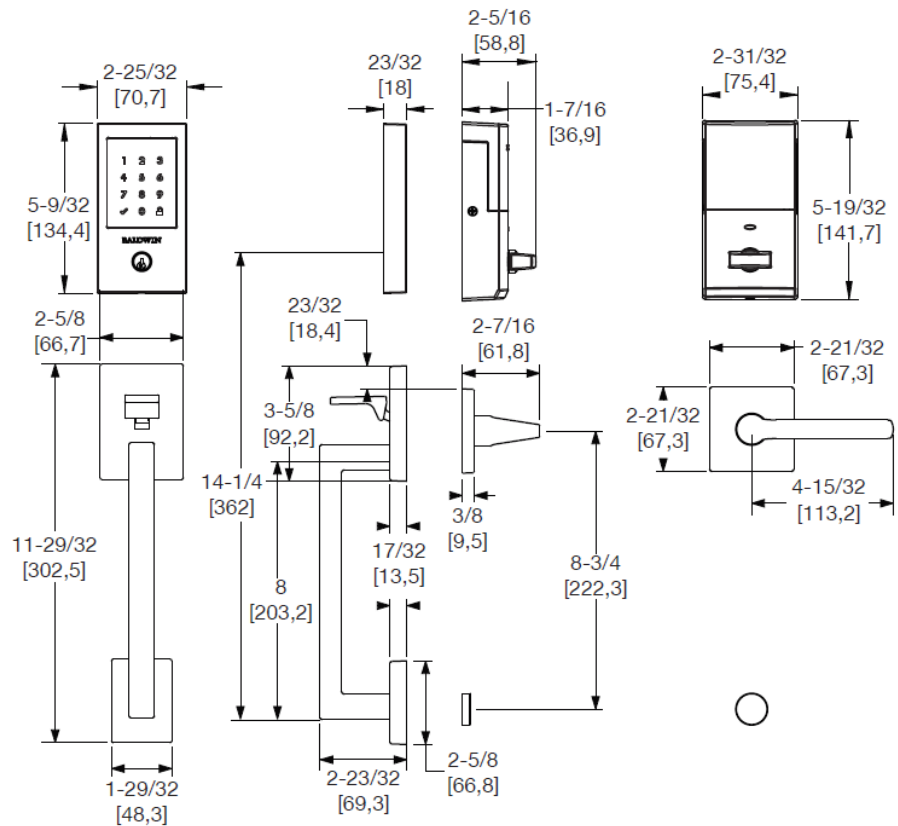
Interior Trim  
Interior Cover, Electronic Interior and  
Mounting Bracket

# Minneapolis Touchscreen Dummy Handleset (85393)



Item#	Description	Tier 1 Finish	Tier 2 Finish
		003, 031, 033 050, 060, 102 112, 150, 151 190, 260, 264	044 055, 056 402, 452
85393.xxx.RFD	Dummy Handleset (RH)	\$512.00	\$598.00
85393.xxx.LFD	Dummy Handleset (LH)	\$512.00	\$598.00

## Finishes Available

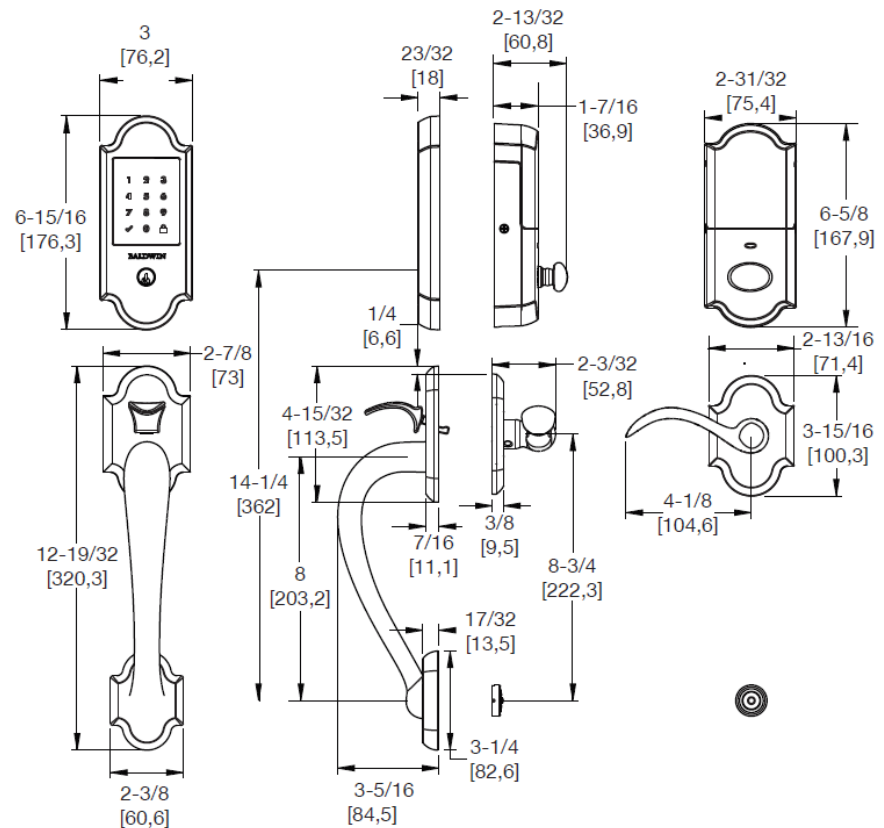


# Boulder Touchscreen Dummy Handleset (85358)



Item#	Description	Tier 1 Finish	Tier 2 Finish
		003, 031, 033 050, 060, 102 112, 150, 151 190, 260, 264	044 055, 056 402, 452
85358.xxx.RFD	Dummy Handleset (RH)	\$512.00	\$598.00
85358.xxx.LFD	Dummy Handleset (LH)	\$512.00	\$598.00

## Finishes Available

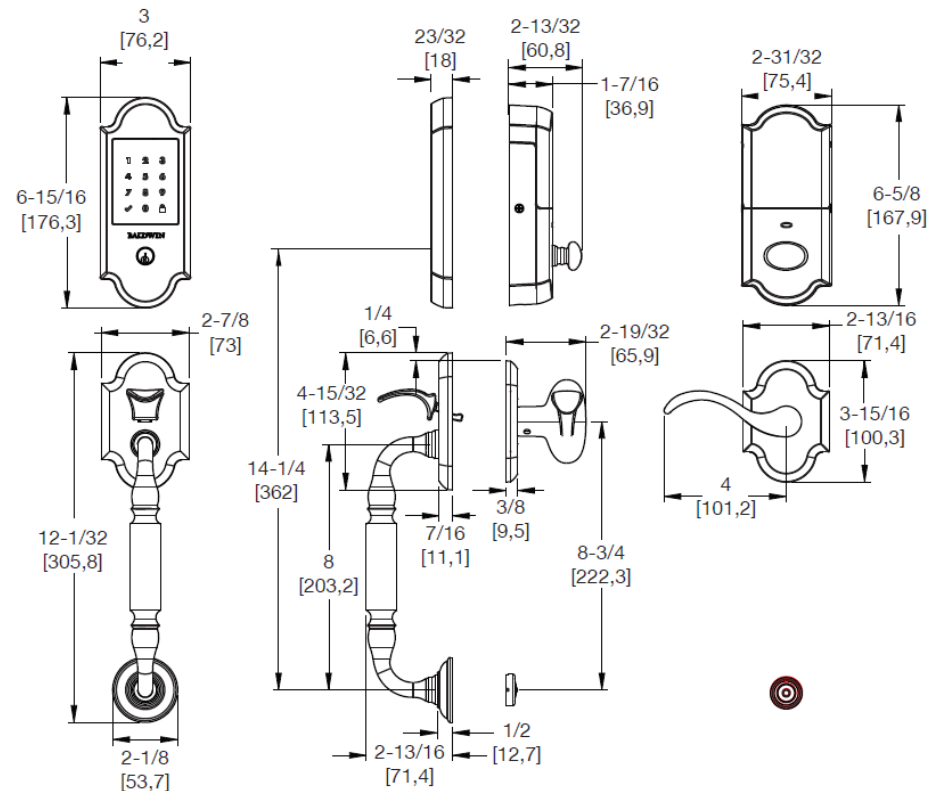


# Canterbury Touchscreen Dummy Handleset (85306)



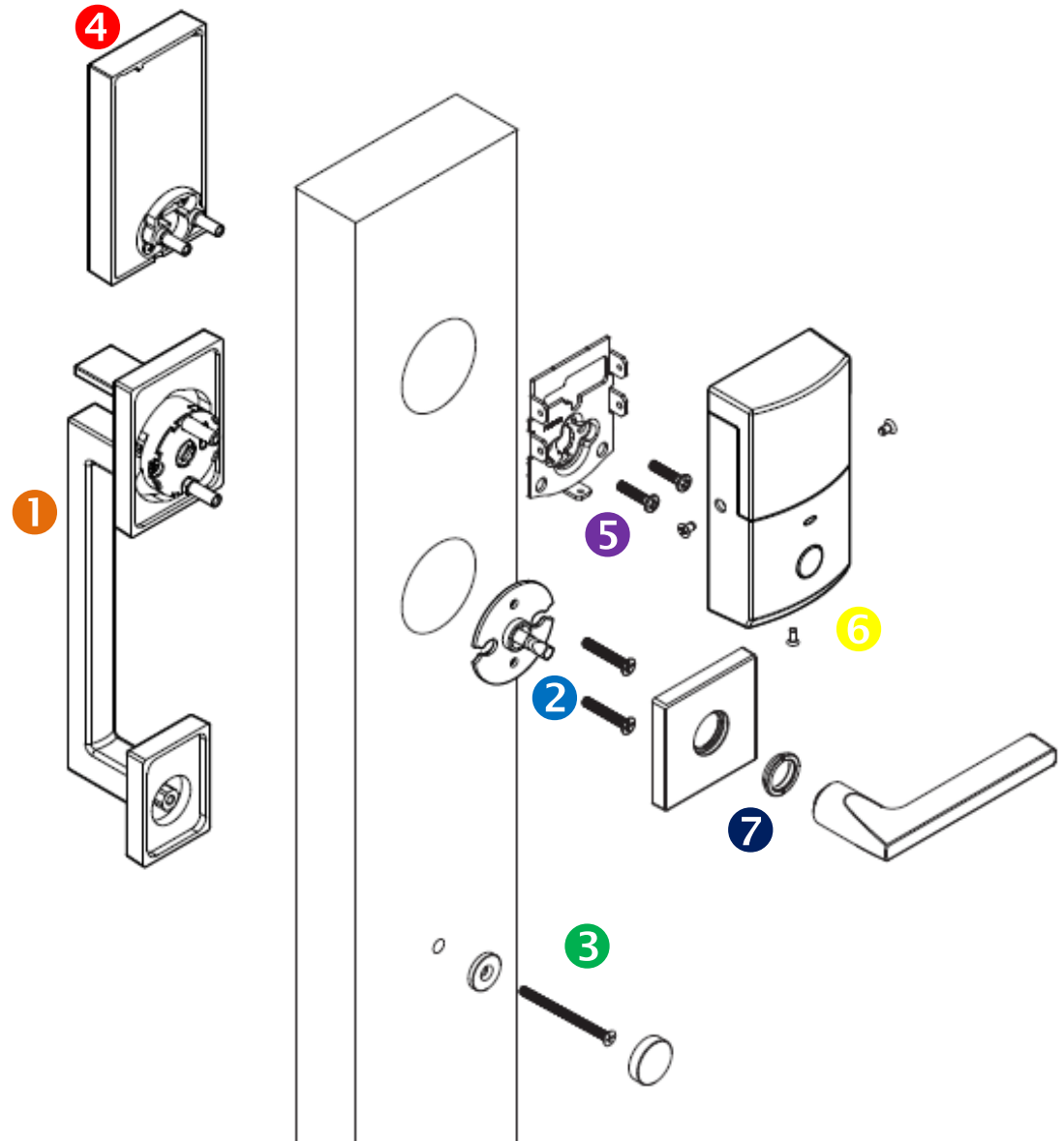
Item#	Description	Tier 1 Finish	Tier 2 Finish
		003, 031, 033 050, 060, 102 112, 150, 151 190, 260, 264	044 055, 056 402, 452
85306.xxx.RFD	Dummy Handleset (RH)	\$512.00	\$598.00
85306.xxx.LFD	Dummy Handleset (LH)	\$512.00	\$598.00

## Finishes Available



# Installation – Dummy Handleset

- 1 Install exterior handle grip assembly.
- 2 Install dummy adapter with mounting screws.
- 3 Install interior through bolt-screw and washer. Assemble with decorative cap.
- 4 Install exterior deadbolt assembly.
- 5 Install bracket with mounting screws. Install interior trim with screws.
- 6 Install interior trim with screws.
- 7 Install rosette, retaining ring and lever. Tighten set screw with wrench provided.



*Minneapolis style shown above (85393).*

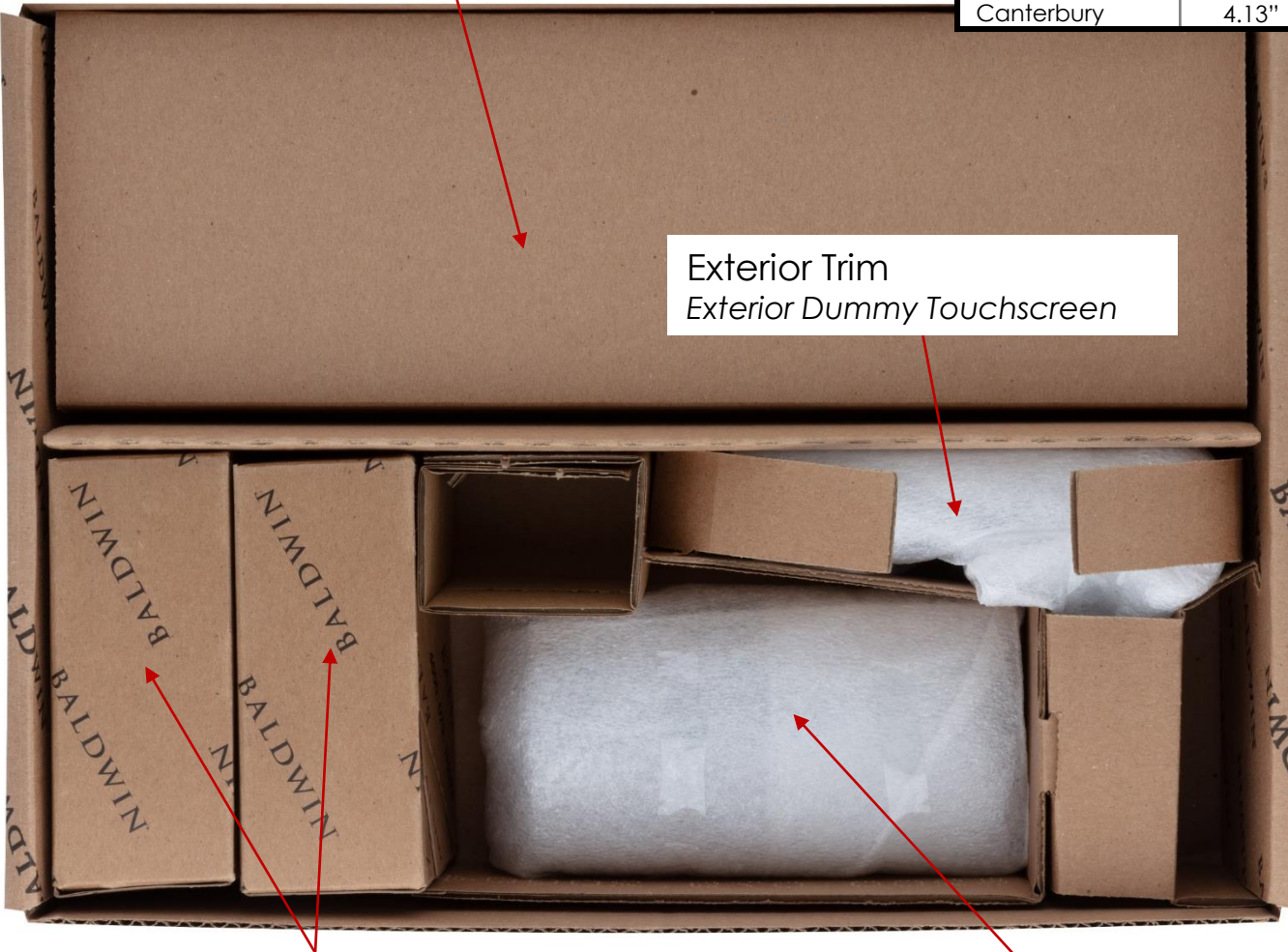
# Packaging – Dummy Handset

Exterior Trim  
Exterior Dummy Handle Grip Trim

UNIT	HEIGHT (in)	WIDTH (in)	DEPTH (in)	WEIGHT (lbs)
Minneapolis	4.13"	9.88"	14.25"	8.90
Boulder	4.13"	9.88"	14.25"	8.10
Canterbury	4.13"	9.88"	14.25"	8.90

Exterior Trim  
Exterior Dummy Touchscreen

Unit Label



Parts Box (2)  
Lever, Rosette, Installation Screws,  
Adapter, Through Bolt, etc.

Interior Trim  
Interior Cover and Mounting Bracket

# Z-Wave Technology

*Wirelessly Communicate with  
Security and Smart Home  
Systems Via Z-Wave Technology*

- Works with Amazon Alexa and Google Assistant when connected to a SmartThings, Wink or similar Smart Home Hub (devices sold separately).
- Use your phone to monitor lock status, check history and remotely lock and unlock your smart lock (third party app required).
- 128-bit Advanced Encryption Standard (AES) communication with Z-Wave 500 chipset.
- Step-by-Step instructions included for SmartThings Hub set-up

# Stand Alone & Z-Wave Comparison

TOUSCHREEN + Z-WAVE

## CONNECTED WITH Z-WAVE

Baldwin Touchscreen with Z-Wave allows you to wirelessly communicate with security and home automation via your Smart Hub. Lock and unlock from anywhere with your smart phone.



### Z-WAVE CONNECTIVITY

Wirelessly communicate with security and home automation systems via Z-Wave Technology.

### ADVANCED ENCRYPTION STANDARD

128-bit Advanced Encryption Standard (AES) communication with Z-Wave 500 chipset.

### WORKS WITH

Baldwin Touchscreen with Z-Wave works with Amazon Alexa and Google Assistant when connected to a SmartThings, Wink or similar Smart Home Hub (devices sold separately).

### REMOTE ACCESS

Use your phone to monitor lock status, check history and remotely lock and unlock your smart lock (third party app required).

WHICH OPTION IS RIGHT FOR YOU?

## STANDALONE VS CONNECTED

FEATURE	STANDALONE DEADBOLT	CONNECTED WITH Z-WAVE
User Codes	Up to 16	Up to 30
Easy Install	•	•
One Touch Locking	•	•
17 Finishes	•	•
Quick Ship Options	•	•
SecureScreen Technology™	•	•
ANSI Grade 2 Certified	•	•
Advanced Touchscreen	•	•
4 AA Battery Power	•	•
Z-Wave Wireless Technology		•
Advanced Encryption Standard		•
Remote Access		•
Connects to Smart Hub with Z-Wave		•
Works with Alexa / Google Assistant		•
Lock & Unlock with your Smartphone		•

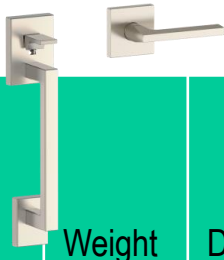
# List Price Summary

## Touchscreen Deadbolts



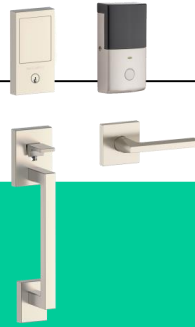
Item#	Weight	Description	Tier 1 Finish	Tier 2 Finish
			003, 031, 033 050, 060, 102 112, 150, 151 190, 260, 264	044, 055 056, 402, 452
8225.xxx		Minneapolis Touchscreen Deadbolt, Stand Alone	\$440.00	\$472.00
8235.xxx		Boulder Touchscreen Deadbolt, Stand Alone		
8225.xxx.ZW		Minneapolis Touchscreen Deadbolt, Z-Wave Technology	\$530.00	\$564.00
8235.xxx.ZW		Boulder Touchscreen Deadbolt, Z-Wave Technology		

## Handle Grips



Item#	Weight	Description	Tier 1 Finish	Tier 2 Finish
			003, 031, 033 050, 060, 102 112, 150, 151 190, 260, 264	044, 055 056, 402, 452
85390.xxx.ACRH		Minneapolis Handle Grip, Right Hand	\$382.00	\$398.00
85390.xxx.ACLH		Minneapolis Handle Grip, Left Hand		
85353.xxx.ACRH		Boulder Handle Grip, Right Hand		
85353.xxx.ACLH		Boulder Handle Grip, Left Hand		
85305.xxx.ACRH		Canterbury Handle Grip, Right Hand		
85303.xxx.ACLH		Canterbury Handle Grip, Left Hand		

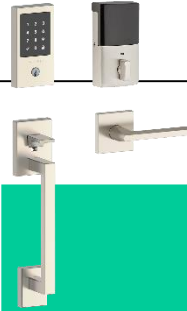
# List Price Summary



## Touchscreen Dummy Handleset

Item#	Weight	Description	Tier 1 Finish	Tier 2 Finish
			003, 031, 033 050, 060, 102 112, 150, 151 190, 260, 264	044, 055 056, 402, 452
85393.xxx.RFD		Minneapolis Touchscreen Dummy Handleset, Right Hand	\$512.00	\$598.00
85393.xxx.LFD		Minneapolis Touchscreen Dummy Handleset, Left Hand		
85358.xxx.RFD		Boulder Touchscreen Dummy Handleset, Right Hand		
85358.xxx.LFD		Boulder Touchscreen Dummy Handleset, Left Hand		
85306.xxx.RFD		Canterbury Touchscreen Dummy Handleset, Right Hand		
85306.xxx.LFD		Canterbury Touchscreen Dummy Handleset, Left Hand		

# List Price Summary



## Touchscreen Handleset

Tier 1 Finish

Tier 2 Finish

Item#	Weight	Description	003, 112 150, 190, 260	None
85393.xxx.RENT		Minneapolis Touchscreen Handleset, Stand Alone, Right Hand	\$764.00	N/A
85393.xxx.LENT		Minneapolis Touchscreen Handleset, Stand Alone, Left Hand		
85358.xxx.RENT		Boulder Touchscreen Handleset, Stand Alone, Right Hand		
85358.xxx.LENT		Boulder Touchscreen Handleset, Stand Alone, Left Hand		
85306.xxx.RENT		Canterbury Touchscreen Handleset, Stand Alone, Right Hand		
85306.xxx.LENT		Canterbury Touchscreen Handleset, Stand Alone, Left Hand		
85393.xxx.ZWRENT		Minneapolis Touchscreen Handleset, Z-Wave, Right Hand	\$854.00	N/A
85393.xxx.ZWLENT		Minneapolis Touchscreen Handleset, Z-Wave, Left Hand		
85358.xxx.ZWRENT		Boulder Touchscreen Handleset, Z-Wave, Right Hand		
85358.xxx.ZWLENT		Boulder Touchscreen Handleset, Z-Wave, Left Hand		
85306.xxx.ZWRENT		Canterbury Touchscreen Handleset, Z-Wave, Right Hand		
85306.xxx.ZWLENT		Canterbury Touchscreen Handleset, Z-Wave, Left Hand		