



TOTO[®]

NEW PRODUCT BOOK
SUMMER 2019



TABLE OF CONTENTS

INFORMATION

- [02](#) Sales Tools
- [02](#) Product Schedule
- [03](#) Icon Guide

PRODUCTS

- [04](#) Drake Product Features
- [06](#) Drake Two-Piece Toilet
- [09](#) Drake WASHLET+ Two-Piece Toilet
- [12](#) Drake Cross Reference Chart

SALES TOOLS

Click on the buttons bellow to download sales tools, images and the price list.

[Spec Sheets](#)

[Product Images](#)

[Product Training](#)

[Price List](#)

PRODUCT SCHEDULE

| Product Name | Order Date | Ship Date (On or Before) |
|---------------------------------|------------|--------------------------|
| Drake Two-Piece Toilet | 06/10/19 | 08/01/19 |
| Drake WASHLET+ Two-Piece Toilet | 06/10/19 | 08/01/19 |



ICON GUIDE



1G 1.0 GPF

Using only 1 gallon per flush, 1G toilets provide the most efficient flush in the industry.



DYNAMAX TORNADO FLUSH®

Uses 100% of water to clean and rinse the bowl using a smaller amount of water more efficiently with a 2.5" trapway and quieter flush. Available in 1.0/.9 GPF or 1.28/.8 GPF.



WATER SAVING

Water efficient toilets designed with 1.28 gallons per flush or less.



CEFIONTECT®

Ultra-smooth ceramic glaze leaves nowhere for waste to cling.



U UNIVERSAL HEIGHT

Toilet height that allows for a more comfortable height position across a wide range of users.



ADA

Product complies with Americans with Disabilities Act guidelines.



WASHLET®

An electronic bidet seat featuring adjustable warm water cleansing, heated seat, dryer, deodorizer and much more.



AIR-IN WONDER WAVE

Air rich water droplets to produce a more comfortable washing sensation and deliver more thorough cleansing with less water consumption.



EWATER+®

Mists the bowl with electrolyzed water, a proven disinfectant, keeping the wand and toilet bowl clean to reduce the need for harsh chemicals.



PREMIST

Using the incoming water supply, PREMIST sprays the toilet bowl surface aiding in the elimination of waste approximately 80 percent better than a dry bowl.



AUTO FLUSH

No need to touch buttons or handles and never worry about someone forgetting to flush — it's automatic after each use.



AUTO OPEN / CLOSE LID

Eliminating the need to touch the toilet surfaces, the lid automatically opens and closes when the toilet is approached and departed.



DEODORIZER

Highly effective deodorizing automatically takes places inside the toilet bowl both during and immediately after use, leaving no disturbing odors.



HEATED SEAT

The moment you approach the toilet, the seat begins rapidly warming to a comfortable temperature.

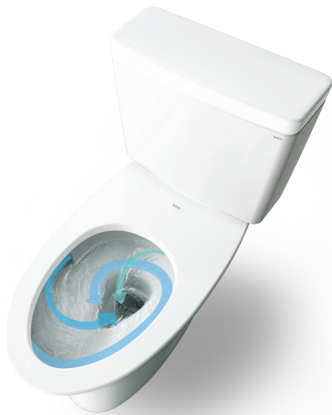


WARM AIR DRYER

Enjoy the ease and comfort of drying with the temperature-adjustable warm-air dryer.

RAISING THE STANDARD, EXCEEDING YOUR EXPECTATIONS.

The new, improved Drake® toilet comes standard with some of TOTO's most coveted high-end features.



MORE EFFICIENT

DYNAMAX TORNADO FLUSH® system utilizes 100% of available water for a 360 degree cleaning that reaches every spot.

Drake's innovative DYNAMAX system generates a vortex that uses a pushing force to create a stronger drain line carry.



MORE EFFECTIVE

CEFIONTECT® ultra-smooth ceramic glaze leaves nowhere for waste to cling.

The hydrophilic nature and nano-level surface ridges make it easier to wash waste particles away.



MORE ECO-FRIENDLY

DYNAMAX TORNADO FLUSH uses 1 GALLON per flush to provide up to 45% in water savings compared to standard 1.6 gpf toilet systems.

New dual flushing options further increase the Drake's industry-leading water efficiency.

PRODUCT FEATURES

TOTO®

RIMLESS DESIGN



CONVENTIONAL



RIMLESS DESIGN

Unlike a conventional box rim toilet, the new Drake® features a rimless bowl, allowing DYNAMAX TORNADO FLUSH® to wash every spot inside the rim, leaving no place for dirt to hide.

SEMI-CONCEALED TRAPWAY

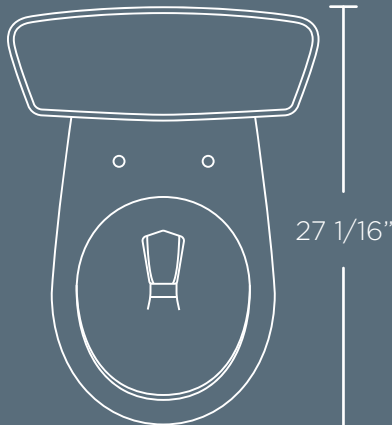


The new Drake is designed with a semi-concealed trapway to create a more seamless bowl. Its modern and discrete shape fits well into any bathroom.

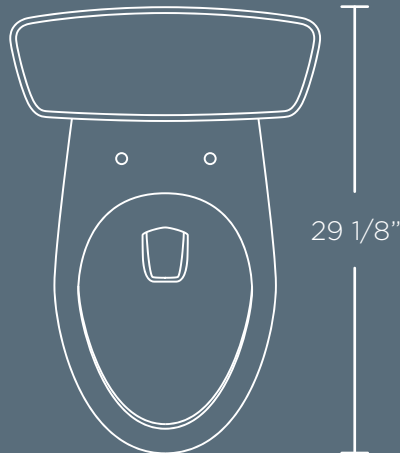
SPACE-SAVING ELONGATED SHAPE

The new Drake has similar space savings of a round bowl without compromising the comfort of an elongated bowl, making it the most compact elongated bowl TOTO has to offer.

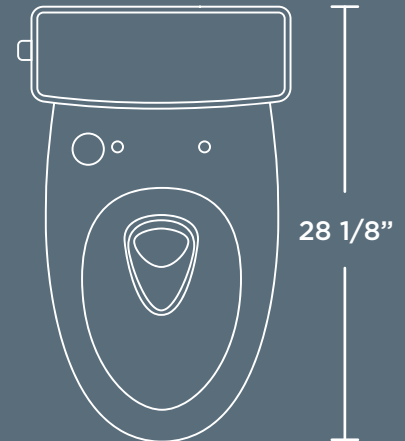
Drake Round
CST743



Drake Elongated
CST744



NEW Drake Elongated
CST746



PRODUCT DETAILS

TOILETS

TOTO®

DRAKE® TWO-PIECE TOILET - 1.0 & 0.8 GPF



FEATURES

- DYNAMAX TORNADO FLUSH® utilizes 360° cleaning power to reach every part of the bowl
- Ultra high-efficiency dual flush 1.0 & 0.8 GPF (3.8 & 3.0 LPF)
- CEFIONTECT® ceramic glaze prevents debris and mold from sticking to ceramic surfaces
- Design of the bowl reduces water flow resistance resulting in a quieter flushing sound
- Models designed to accommodate a WASHLET®+ are available for future upgrades
- Elongated front bowl and seat
- Universal Height & regular height options available
- Chrome plated trip lever with right and left hand options available
- 12" and 10" Rough-in options available
- Semi-concealed trapway

| Product Description | Product No. | Color | UPC | List Price |
|--|---------------|-------|--------------|------------|
| Drake 2 PC Toilet 1.0 GPF with SoftClose Seat | MS746124CUMFG | #01 | 739268358317 | \$489 |
| Drake 2 PC Toilet 1.0 GPF without SoftClose Seat | CST746CUMFG | #01 | 739268358225 | \$407 |
| | | #03 | 739268358263 | \$469 |
| | | #11 | 739268358249 | \$407 |
| | | #12 | 739268358232 | \$469 |
| | CST746CUMF | #51 | 739268358270 | \$611 |
| Drake 2 PC Toilet 1.0 GPF without SoftClose Seat Right-Hand Trip Lever | CST746CUMFRG | #01 | 739268365773 | \$407 |

To see more product configurations, download the official price list on page 2.

Sales Conditions

- Items are available for immediate order and will ship on 08/01/19
- For pricing and freight, standard programs apply
- Items available for sale in US and Canada only

PRODUCT DETAILS

TOILETS

TOTO®

DRAKE® TWO-PIECE TOILET - 1.28 & 0.8 GPF



FEATURES

- DYNAMAX TORNADO FLUSH® utilizes 360° cleaning power to reach every part of the bowl
- High-efficiency dual flush 1.28 & 0.8 GPF (4.8 & 3.0 LPF)
- CEFIONTECT® ceramic glaze prevents debris and mold from sticking to ceramic surfaces
- Design of the bowl reduces water flow resistance resulting in a quieter flushing sound
- Models designed to accommodate a WASHLET®+ are available for future upgrades
- Elongated front bowl and seat
- Universal Height & regular height options available
- Chrome plated trip lever with right and left hand options available
- 12" and 10" Rough-in options available
- Semi-concealed trapway

| Product Description | Product No. | Color | UPC | List Price |
|---|---------------|-------|--------------|------------|
| Drake 2 PC Toilet 1.28 GPF with SoftClose Seat | MS746124CEMFG | #01 | 739268358300 | \$469 |
| Drake 2 PC Toilet 1.28 GPF without SoftClose Seat | CST746CEMFG | #01 | 739268358171 | \$387 |
| | | #03 | 739268358201 | \$446 |
| | | #11 | 739268358195 | \$387 |
| | | #12 | 739268358188 | \$446 |
| | CST746CEMF | #51 | 739268358218 | \$581 |
| Drake 2 PC Toilet 1.28 GPF without SoftClose Seat Right-Hand Trip Lever | CST746CEMFRG | #01 | 739268365766 | \$387 |

To see more product configurations, download the official price list on page 2.

Sales Conditions

- Items are available for immediate order and will ship on 08/01/19
- For pricing and freight, standard programs apply
- Items available for sale in US and Canada only

PRODUCT DETAILS TOILETS

TOTO®

DRAKE® TWO-PIECE TOILET - 1.6 & 0.8 GPF



FEATURES

- DYNAMAX TORNADO FLUSH® utilizes 360° cleaning power to reach every part of the bowl
- Dual flush 1.6 & 0.8 GPF (6.0 & 3.0 LPF)
- CEFIONTECT® ceramic glaze prevents debris and mold from sticking to ceramic surfaces
- Design of the bowl reduces water flow resistance resulting in a quieter flushing sound
- Models designed to accommodate a WASHLET®+ are available for future upgrades
- Elongated front bowl and seat
- Universal Height & regular height options available
- Chrome plated trip lever with right and left hand options available
- 12" and 10" Rough-in options available
- Semi-concealed trapway

| Product Description | Product No. | Color | UPC | List Price |
|--|---------------|-------|--------------|------------|
| Drake 2 PC Toilet 1.6 GPF with SoftClose Seat | MS746124CSMFG | #01 | 739268358294 | \$471 |
| Drake 2 PC Toilet 1.6 GPF without SoftClose Seat | CST746CSMFG | #01 | 739268358072 | \$389 |
| | | #03 | 739268358119 | \$448 |
| | | #11 | 739268358096 | \$389 |
| | | #12 | 739268358089 | \$448 |
| | CST746CSMF | #51 | 739268358126 | \$584 |

To see more product configurations, download the official price list on page 2.

Sales Conditions

- Items are available for immediate order and will ship on 08/01/19
- For pricing and freight, standard programs apply
- Items available for sale in US and Canada only

PRODUCT DETAILS

TOILETS

TOTO®

DRAKE® WASHLET®+ TWO-PIECE TOILET - 1.0 & 0.8 GPF



FEATURES

- Concealed supply connection for seamless installation
- DYNAMAX TORNADO FLUSH® utilizes 360° cleaning power to reach every part of the bowl
- Ultra high-efficiency dual flush 1.0 & 0.8 GPF (3.8 & 3.0 LPF)
- CEFIONTECT® ceramic glaze prevents debris and mold from sticking to ceramic surfaces
- Semi-concealed trapway
- Universal Height & regular height options available
- 12" and 10" Rough-in options available
- Chrome plated trip lever
- Elongated front bowl, WASHLET+ and tank set
- EWATER+® auto-cleans wand and bowl
- On-demand wand cleaning with EWATER+
- PREMIST of bowl before each use
- Remote control operated
- Auto Flush available as upgrade
- *Auto Open / Close lid & night light

| Product Description | Product No. | Color | UPC | List Price |
|---|-----------------|-------|--------------|------------|
| Drake WASHLET+ S550e 2 PC Toilet 1.0 GPF with Auto Flush | MW7463056CUMFGA | #01 | 739268358454 | \$2,222 |
| Drake WASHLET+ S550e 2 PC Toilet 1.0 GPF without Auto Flush | MW7463056CUMFG | #01 | 739268358416 | \$2,087 |
| Drake WASHLET+ S500e 2 PC Toilet 1.0 GPF with Auto Flush | MW7463046CUMFGA | #01 | 739268358386 | \$2,072 |
| Drake WASHLET+ S500e 2 PC Toilet 1.0 GPF without Auto Flush | MW7463046CUMFG | #01 | 739268358348 | \$1,937 |

To see more product configurations, download the official price list on page 2.

Sales Conditions

**Features available on WASHLET+ S550e only*

- Items are available for immediate order and will ship on 08/01/19
- For pricing and freight, standard programs apply
- Items available for sale in US and Canada only
- Product sales must adhere to the TOTO USA IMAP policy

PRODUCT DETAILS

TOILETS

TOTO®

DRAKE® WASHLET®+ TWO-PIECE TOILET - 1.28 & 0.8 GPF



FEATURES

- Concealed supply connection for seamless installation
- DYNAMAX TORNADO FLUSH® utilizes 360° cleaning power to reach every part of the bowl
- High-efficiency dual flush 1.28 & 0.8 GPF (4.8 & 3.0 LPF)
- CEFIONTECT® ceramic glaze prevents debris and mold from sticking to ceramic surfaces
- Semi-concealed trapway
- Universal Height & regular height options available
- 12" and 10" Rough-in options available
- Chrome plated trip lever
- Elongated front bowl, WASHLET+ and tank set
- EWATER+® auto-cleans wand and bowl
- On-demand wand cleaning with EWATER+
- PREMIST of bowl before each use
- Remote control operated
- Auto Flush available as upgrade
- *Auto Open / Close lid & night light

| Product Description | Product No. | Color | UPC | List Price |
|--|-----------------|-------|--------------|------------|
| Drake WASHLET+ S550e 2 PC Toilet 1.28 GPF with Auto Flush | MW7463056CEMFGA | #01 | 739268358430 | \$2,202 |
| Drake WASHLET+ S550e 2 PC Toilet 1.28 GPF without Auto Flush | MW7463056CEMFG | #01 | 739268358409 | \$2,067 |
| Drake WASHLET+ S500e 2 PC Toilet 1.28 GPF with Auto Flush | MW7463046CEMFGA | #01 | 739268358379 | \$2,052 |
| Drake WASHLET+ S500e 2 PC Toilet 1.28 GPF without Auto Flush | MW7463046CEMFG | #01 | 739268358331 | \$1,917 |

To see more product configurations, download the official price list on page 2.

Sales Conditions

**Features available on WASHLET+ S550e only*

- Items are available for immediate order and will ship on 08/01/19
- For pricing and freight, standard programs apply
- Items available for sale in US and Canada only
- Product sales must adhere to the TOTO USA IMAP policy

PRODUCT DETAILS TOILETS

TOTO®

DRAKE® WASHLET®+ TWO-PIECE TOILET - 1.6 & 0.8 GPF



FEATURES

- Concealed supply connection for seamless installation
- DYNAMAX TORNADO FLUSH® utilizes 360° cleaning power to reach every part of the bowl
- Dual flush 1.6 & 0.8 GPF (6.0 & 3.0 LPF)
- CEFIONTECT® ceramic glaze prevents debris and mold from sticking to ceramic surfaces
- Semi-concealed trapway
- Universal Height & regular height options available
- 12" and 10" Rough-in options available
- Chrome plated trip lever
- Elongated front bowl, WASHLET+ and tank set
- EWATER+® auto-cleans wand and bowl
- On-demand wand cleaning with EWATER+
- PREMIST of bowl before each use
- Remote control operated
- Auto Flush available as upgrade
- *Auto Open / Close lid & night light

| Product Description | Product No. | Color | UPC | List Price |
|---|-----------------|-------|--------------|------------|
| Drake WASHLET+ S550e 2 PC Toilet 1.6 GPF with Auto Flush | MW7463056CSMFGA | #01 | 739268358423 | \$2,204 |
| Drake WASHLET+ S550e 2 PC Toilet 1.6 GPF without Auto Flush | MW7463056CSMFG | #01 | 739268358393 | \$2,069 |
| Drake WASHLET+ S500e 2 PC Toilet 1.6 GPF with Auto Flush | MW7463046CSMFGA | #01 | 739268358355 | \$2,054 |
| Drake WASHLET+ S500e 2 PC Toilet 1.6 GPF without Auto Flush | MW7463046CSMFG | #01 | 739268358324 | \$1,919 |

To see more product configurations, download the official price list on page 2.

Sales Conditions

**Features available on WASHLET+ S550e only*

- Items are available for immediate order and will ship on 08/01/19
- For pricing and freight, standard programs apply
- Items available for sale in US and Canada only
- Product sales must adhere to the TOTO USA IMAP policy

PRODUCT DETAILS

TOILETS

NEW DRAKE CROSS REFERENCE CHART

| PREVIOUS | | | NEW | | | ROUGH-IN | BOWL ELON. | BOWL HEIGHT | RECOM. SEAT |
|--------------|-----------|---------|-----------------|--------------|----------|----------|------------|-------------|-------------|
| OLD SKU# | | | NEW SKU# | | | | | | |
| KIT | BOWL | TANK | KIT | BOWL | TANK | | | | |
| — | | | CST746CUMG | CT746CUG | ST746UMA | 12" | • | REGULAR | SS124 |
| — | | | CST746CUMRG | CT746CUG | ST746UMR | | | REGULAR | SS124 |
| CST744EG | C744EG | ST743E | CST746CEMG | CT746CUG | ST746EMA | | | REGULAR | SS124 |
| CST744ER | C744E | ST743ER | CST746CEMRG | CT746CUG | ST746EMR | | | REGULAR | SS124 |
| CST744SG | C744EG | ST743S | CST746CSMG | CT746CUG | ST746SMA | | | REGULAR | SS124 |
| — | | | CST746CUMFG | CT746CUFG | ST746UMA | | | UNIVERSAL | SS124 |
| — | | | CST746CUMFRG | CT746CUFG | ST746UMR | | | UNIVERSAL | SS124 |
| CST744EL | C744EL | ST743E | CST746CEMFG | CT746CUFG | ST746EMA | | | UNIVERSAL | SS124 |
| CST744ELR | C744EL | ST743ER | CST746CEMFRG | CT746CUFG | ST746EMR | | | UNIVERSAL | SS124 |
| CST744SL | C744EL | ST743S | CST746CSMFG | CT746CUFG | ST746SMA | | | UNIVERSAL | SS124 |
| — | | | CST746CUMFG.10 | CT746CUFG.10 | ST746UMA | 10" | UNIVERSAL | SS124 | |
| — | | | CST746CUMFRG.10 | CT746CUFG.10 | ST746UMR | | UNIVERSAL | SS124 | |
| CST744EF.10 | C744EF.10 | ST743E | CST746CEMFG.10 | CT746CUFG.10 | ST746EMA | | UNIVERSAL | SS124 | |
| CST744EFR.10 | C744EF.10 | ST743ER | CST746CEMFRG.10 | CT746CUFG.10 | ST746EMR | | UNIVERSAL | SS124 | |
| CST744SF.10 | C744EF.10 | ST743S | CST746CSMFG.10 | CT746CUFG.10 | ST746SMA | | UNIVERSAL | SS124 | |
| — | | | | | | | | | |

WASHLET®+ RECOMMENDED MODELS

| SKU# | | | | AUTO FLUSH KIT | ROUGH-IN | BOWL ELON. | SEAT HEIGHT |
|---------------------|-----------------|-------------|---------------|----------------|----------|------------|-------------|
| KIT** | BOWL | TANK | WASHLET | | | | |
| MW7463056CUMFG#01 | CT746CUFGT40#01 | ST746UMA#01 | SW3056AT40#01 | — | 12" | • | UNIVERSAL |
| *MW7463056CUMFGA#01 | CT746CUFGT40#01 | ST746UMA#01 | SW3056AT40#01 | THU765 | | | |
| MW7463046CEMFG#01 | CT746CUFGT40#01 | ST746UMA#01 | SW3046AT40#01 | — | | | |
| *MW7463046CUMFGA#01 | CT746CUFGT40#01 | ST746UMA#01 | SW3046AT40#01 | THU765 | | | |
| MW7463056CEMFG#01 | CT746CUFGT40#01 | ST746EMA#01 | SW3056AT40#01 | — | | | |
| *MW7463056CEMFGA#01 | CT746CUFGT40#01 | ST746EMA#01 | SW3056AT40#01 | THU765 | | | |
| MW7463046CUMFG#01 | CT746CUFGT40#01 | ST746EMA#01 | SW3046AT40#01 | — | | | |
| *MW7463046CEMFGA#01 | CT746CUFGT40#01 | ST746EMA#01 | SW3046AT40#01 | THU765 | | | |

* Auto Flush Included

** See Price Book for additional kit SKU

TOTO®