

# LIEBHERR

Quality, Design and Innovation



Price Guide

Effective  
**June 2019**

**ALMO**<sup>®</sup>  
Premium Appliances  
Distribution on a *Personal Level*

# LIEBHERR

Quality, Design and Innovation

## **Over 65 years of producing high-quality products**

Liebherr is a third-generation, family-owned company founded by Hans Liebherr in 1949, with the creation of the first-ever tower crane. With more than 65 years of success, Liebherr has become synonymous with the equipment needed to build homes, and the appliances within them.

As one of the world's largest manufacturers of construction machinery, Liebherr has expanded to eleven divisions with a wide array of product areas, including: earthmoving, mining, mobile cranes, tower cranes, concrete technology, maritime cranes, aerospace and transportation systems, machine tools and automation systems, components, hotels, and refrigeration products.

Liebherr Group currently employs over 42,000 persons in more than 130 companies spanning 50 countries worldwide. Liebherr Appliances is Europe's largest privately owned manufacturer of refrigerators and freezers for residential and commercial use, with an annual production of over 2.1 million units.



# Why Buy **Liebherr**?



## **German Quality & Heritage**

Liebherr is a world leader in developing premium quality cooling and refrigeration technologies. Our German-engineered products are acclaimed for advanced food preservation, design flexibility, maximum energy efficiency, and ease of use. Headquartered in Germany since 1954, Liebherr Appliances distributes the widest range of European refrigeration and freezing solutions around the globe. Liebherr continues to research and develop products that match or exceed, not only the standards we set for ourselves, but also the quality our loyal customers have come to expect.



## **Silent Operation**

Liebherr appliances are some of the quietest in the industry – as quiet as a library. Variable speed compressors are always operating at optimal capacity, ensuring maximum food preservation with quiet operation. Combined with soft-start technology, these compressors offer quiet operation and minimal electrical surge at start-up. Every new product is tested in our professional sound chambers to ensure that noise levels are kept to an industry low 40 dB(A).



## **Advanced Food Preservation**

Foods preserved in ideal storage temperatures and perfect air humidity will preserve their vitamins, nutrients, flavors, and aromas for far longer, which is the key to achieving a healthy lifestyle. Liebherr's advanced food preservation technologies guarantee the perfect environments for all kinds of foods. BioFresh, SuperCool, SuperFrost and DuoCooling are just a few examples of performance enhancing features that contribute to superior, long-lasting food freshness.



## **ActiveGreen® Initiative**

Energy efficiency is at the heart of our ActiveGreen® commitment, and it is reflected in every aspect of our design and manufacturing process. An industry trailblazer in green manufacturing, Liebherr utilizes progressive practices such as recovering and reutilizing energy to heat buildings, using 100% recyclable packaging, and using purified water to ensure that production is pollution free; all with the goal of having the least damaging effect on the environment.



## **Better Use of Space**

Our innovative food storage features allow for the optimal storing of products, for quick and easy access to your favorite foods while reducing food waste. Divisible and interchangeable glass/bottle shelves, FlexSystem, VarioSpace, and gallon storage on the door, are just some of the ways in which Liebherr refrigerators fit more foods and beverages into usable space.



## **Diverse Design Options**

Liebherr appliances are designed to inspire awe and integrate seamlessly into your kitchen motif. Multiple size configurations, installation options and choice of stainless steel or personalized finishes allow for perfect integration into your dream kitchen. From refrigerators, to wine cabinets, to outdoor appliances; Liebherr appliances offer diverse refrigeration and freezing solutions for your home.





# LIEBHERR

Quality, Design and Innovation

Freestanding/Semi Built-in	6
Ventilation Requirements for Pantry Models	12
Fully Integrated	14
Undercounter	22
Wine Cabinets	28
Design & Lifestyle	36
<b>ACCESSORIES</b>	38
<b>SERVICE</b>	43

Pricing, Terms and Conditions are subject to change without notice.

Not responsible for errors or omissions.

MAP pricing is pursuant to **Liebherr** MAP policy guidelines. Retailers set their own pricing.

**ALMO**<sup>®</sup>  
Premium Appliances  
[www.premium.almo.com](http://www.premium.almo.com)

Freestanding/Semi **Built-in**



**CS-1210** Comfort



**CS-1360B** Comfort



MSRP	MAP	BLDR	MSRP	MAP	BLDR
\$2,089	\$1,849	\$1,799	\$2,399	\$2,149	\$2,049

Features	CS-1210	CS-1360B
Energy consum. (kWh/y) / Est. Yearly Energy Cost in US \$ *	370 / 44	480 / 58
Sound rating dB(A) **	42	42
Refrigerator capacity cu.ft. (l)	7.8 (220)	9.4 (267)
Freezer capacity cu.ft. (l)	3.3 (94)	3.3 (94)
Number of shelves / Number of door racks	4 / 4	5 / 4
Number of FrostSafe drawers	3	3
Number of fruit and vegetable drawers	2 with LED lighting	2 with LED lighting
Electronic control	MagicEye with LCD temp. display, touch electronic	MagicEye with LCD temp. display, touch electronic
Refrigerator temperature range °F (°C)	+36°F to +45°F (+2°C to +7°C)	+36°F to +45°F (+2°C to +7°C)
Freezer temperature range °F (°C)	+7°F to -17°F (-14°C to -27°C)	+7°F to -17°F (-14°C to -27°C)
Defrost type	automatic	automatic
Interior light	LED ceiling lighting	LED ceiling lighting
Ice Maker		fixed water connection
Ice cube output lbs. (kg)/24h / Ice cube stock lbs. (kg)		3.1 (1.4) / 6.6 (3.0)
Door hinges	right, reversible	right, reversible
Product dimensions (H/W/D) in. (cm)	71 11/16" / 23 5/8" / 24 13/16" (182/60/63)	79 9/16" / 23 5/8" / 24 13/16" (202/60/63)
Cut out dimensions (H/W/D) in. (cm)	73" / 24 1/16" / 24 1/16" (185.4/61/61)	80" / 24 1/16" / 24 1/16" (203.2/61/61)
Net weight lbs. (kg)	180.8 (82.0)	196.2 (89.0)
Voltage V/Hz	115/60	115/60

Hinge	Left	Right	Left	Right
	CS-1210-L	CS-1210	CS-1360B-L	CS-1360B

Available Accessories	BLDR	BLDR
9096-034-00	Aftermarket External Water Filter Kit	\$209
9901-555-00	Stainless Steel, 24", Side by side kit for 24"	\$299
9901-557-00	Stainless Steel, Oval Handle for 24" and 30" Free Standing	\$169
7113023-00	Bottle Rack CS-1210, CS-1321	\$29

- Estimated energy cost will depend on utility rates and use. Estimated energy cost based on a national average electricity cost of 12 cents per kWh.
- Noise output – according to EN 60704-3.
- BioFresh bins temperatures 32°F (0°C). BioFresh-Plus bin 28°F (-2°C) or 32°F (0°C).

# Freestanding/Semi **Built-in**



**CS-1321** Premium



**CBS-1360** Premium



MSRP	MAP	BLDR	MSRP	MAP	BLDR
\$3,079	\$2,799	\$2,699	\$3,739	\$3,399	\$3,299

Features	
Energy consum. (kWh/y) / Est. Yearly Energy Cost in US \$ *	380 / 46
Sound rating dB(A) **	42
Refrigerator capacity cu.ft. (l)	9.4 (267)
BioFresh comp. cu.ft. (l)	3.0 (85)
Freezer capacity cu.ft. (l)	3.3 (94)
Number of shelves / Number of door racks	5 / 4
Number of FrostSafe drawers	3 with LED lighting
Number of BioFresh drawers	2 with LED lighting
Number of fruit and vegetable drawers	1 with LED lighting
Electronic control	MagicEye with LCD temp. display, touch electronic
Refrigerator temperature range °F (°C) ***	+36°F to +45°F (+2°C to +7°C)
Freezer temperature range °F (°C)	+7°F to -17°F (-14°C to -27°C)
Defrost type	automatic
Interior light	LED light column on both sides
Ice Maker	fixed water connection
Ice cube output lbs. (kg)/24h / Ice cube stock lbs. (kg)	3.1 (1.4) / 6.6 (3.0)
SoftSystem / Door hinges	yes / left, reversible
Product dimensions (H/W/D) in. (cm)	79 9/16" / 23 5/8" / 24 13/16" (202/60/63)
Cut out dimensions (H/W/D) in. (cm)	80" / 24 1/16" / 24 1/16" (203.2/61/61)
Net weight lbs. (kg)	200.6 (91.0)
Voltage V/Hz	115/60
Possible Side-by-Side combination	CS 1321 & CBS 1360

Hinge	Left	Right	Left	Right
	CS 1321	CS 1321-R	CBS-1360-L	CBS-1360

Available Accessories	BLDR	BLDR
9901-555-00	Stainless steel, 24", Side by side kit for 24"	\$299
9900-368-00	48" Top Vent for 84" Installation	\$259
9096-034-00	Aftermarket External water filter	\$209

- Estimated energy cost will depend on utility rates and use. Estimated energy cost based on a national average electricity cost of 12 cents per kWh.
- Noise output – according to EN 60704-3.
- BioFresh bins temperatures 32°F (0°C). BioFresh-Plus bin 28°F (-2°C) or 32°F (0°C).

Freestanding/Semi **Built-in**



**CS-1400R** Comfort



**CS-1400R-IM/ CS-1401R-IM** Comfort



MSRP	MAP	BLDR	MSRP	MAP	BLDR
\$2,199	\$1,999	\$1,899	\$2,309	\$2,099	\$1,999

Features	CS-1400R	CS-1400R-IM/CS-1401R-IM
Energy consum. (kWh/y) / Est. Yearly Energy Cost in US \$ *	380 / 46	465 / 56
Sound rating dB(A) **	42	42
Refrigerator capacity cu.ft. (l)	9.8 (277)	9.8 (277)
Freezer capacity cu.ft. (l)	3.0 (86)	3.0 (86)
Number of shelves / Number of door racks	4 / 4	4 / 4
Number of FrostSafe drawers	2	3
Number of fruit and vegetable drawers	2 with LED lighting	2 with LED lighting
Electronic control	MagicEye with LCD temp. display, touch electronic	MagicEye with LCD temp. display, touch electronic
Refrigerator temperature range °F (°C)	+36°F to +45°F (+2°C to +7°C)	+36°F to +45°F (+2°C to +7°C)
Freezer temperature range °F (°C)	+7°F to -17°F (-14°C to -27°C)	+7°F to -17°F (-14°C to -27°C)
Defrost type	automatic	automatic
Interior light	LED ceiling lighting	LED ceiling lighting
Ice Maker		fixed water connection
Ice cube output lbs. (kg)/24h / Ice cube stock lbs. (kg)		3.1 (1.4) / 5.5 (2.5)
SoftSystem / Door hinges	yes / right, reversible	yes / right, reversible
Product dimensions (H/W/D) in. (cm)	66 3/16" / 29 9/16" / 24 13/16" (168/75/63)	66 3/16" / 29 9/16" / 24 13/16" (168/75/63)
Cut out dimensions (H/W/D) in. (cm)	67" / 30" / 24 1/16" (170.1/76.2/61)	67" / 30" / 24 1/16" (170.1/76.2/61)
Net weight lbs. (kg)	205.0 (93.0)	211.6 (96.0)
Voltage V/Hz	115/60	115/60

Hinge	Left	Right	Left	Right
	CS 1400R-L	CS 1400R	CS-1401R-IM	CS 1400R-IM

Available Accessories	BLDR	BLDR
9901-557-00	Stainless steel, Oval handle for 24" and 30" Free Standing \$169	Stainless steel, Oval handle for 24" and 30" Free Standing \$169
9901-521-00	60" Top vent for 1400R 67" to 72" \$169	60" Top vent for 1400R 67" to 72" \$169
9901-523-00	30" Top vent for 1400R 67" to 72" \$139	30" Top vent for 1400R 67" to 72" \$139
7113257-00	Bottle Rack \$39	Bottle Rack \$39

- Estimated energy cost will depend on utility rates and use. Estimated energy cost based on a national average electricity cost of 12 cents per kWh.
- Noise output – according to EN 60704-3.
- BioFresh bins temperatures 32°F (0°C), BioFresh-Plus bin 28°F (-2°C) or 32°F (0°C).

Freestanding/Semi **Built-in**



**CS 1410** Comfort



**CS 1640B** Comfort



MSRP	MAP	BLDR	MSRP	MAP	BLDR
\$2,859	\$2,599	\$2,599	\$3,409	\$3,099	\$3,049

Features		
Energy consum. (kWh/y) / Est. Yearly Energy Cost in US \$ *	380 / 46	496 / 60
Sound rating dB(A) **	42	42
Refrigerator capacity cu.ft. (l)	11.7 (331)	11.7 (331)
Freezer capacity cu.ft. (l)	3.0 (86)	4.3 (121)
Number of shelves / Number of door racks	4 / 4	4 / 4
Number of FrostSafe drawers	2	4
Number of fruit and vegetable drawers	2 with LED lighting	2 with LED lighting
Electronic control	MagicEye with LCD temp. display, touch electronic	MagicEye with LCD temp. display, touch electronic
Refrigerator temperature range °F (°C)	+36°F to +45°F (+2°C to +7°C)	+36°F to +45°F (+2°C to +7°C)
Freezer temperature range °F (°C)	+7°F to -17°F (-14°C to -27°C)	+7°F to -17°F (-14°C to -27°C)
Defrost type	automatic	automatic
Interior light	LED ceiling lighting	LED ceiling lighting
Ice Maker		water tank
Ice cube output lbs. (kg)/24h / Ice cube stock lbs. (kg)		3.1 (1.4) / 4.4 (2.0)
SoftSystem / Door hinges	yes / right, reversible	yes / right, reversible
Product dimensions (H/W/D) in. (cm)	73 1/4" / 29 9/16" / 24 13/16" (186/75/63)	79 9/16" / 29 9/16" / 24 13/16" (202/75/63)
Cut out dimensions (H/W/D) in. (cm)	73 13/16" / 30" / 24 1/16" (187.4/76.2/61)	80" / 30" / 24 1/16" (203.2/76.2/61)
Net weight lbs. (kg)	213.8 (97.0)	235.9 (107.0)
Voltage V/Hz	115/60	115/60

Hinge	Left	Right
	CS 1410-L	CS-1410
	CS-1640B-L	CS-1640B

- Estimated energy cost will depend on utility rates and use. Estimated energy cost based on a national average electricity cost of 12 cents per kWh.
- Noise output – according to EN 60704-3.
- BioFresh bins temperatures 32°F (0°C). BioFresh-Plus bin 28°F (-2°C) or 32°F (0°C).

Freestanding/Semi **Built-in**



**CBS-1660/ CBS-1661** Premium



**CS-2080/CS-2081** PremiumPlus



MSRP	MAP	BLDR	MSRP	MAP	BLDR
\$4,069	\$3,699	\$3,599	\$6,159	\$5,599	\$5,299

Features		
Energy consum. (kWh/y) / Est. Yearly Energy Cost in US \$ *	488 / 59	532 / 64
Sound rating dB(A) **	41	45
Refrigerator capacity cu.ft. (l)	10.7 (303)	13.5 (382)
BioFresh comp. cu.ft. (l)	3.6 (103)	
Freezer capacity cu.ft. (l)	4.3 (121)	6.0 (170)
Number of shelves / Number of door racks	4 / 3	3 / 6
Number of FrostSafe drawers	4 with LED lighting	2 with LED lighting
Number of BioFresh drawers	2 with LED lighting	
Number of fruit and vegetable drawers		3 with LED lighting
Electronic control	MagicEye with LCD temp. display, touch electronic	MagicEye with digital temp. display, touch electronic
Refrigerator temperature range °F (°C) ***	+36°F to +45°F (+2°C to +7°C)	+36°F to +45°F (+2°C to +7°C)
Freezer temperature range °F (°C)	+7°F to -17°F (-14°C to -27°C)	+7°F to -17°F (-14°C to -27°C)
Defrost type	automatic	automatic
Interior light	LED light column on both sides	LED light column and LED ceiling lighting
Water filter		yes
Ice Maker	fixed water connection	fixed water connection
Ice cube output lbs. (kg)/24h / Ice cube stock lbs. (kg)	3.1 (1.4) / 4.4 (2.0)	3.1 (1.4) / 7.9 (3.6)
SoftSystem / Door hinges	yes / right, reversible	- / right
Product dimensions (H/W/D) in. (cm)	79 9/16" / 29 9/16" / 24 13/16" (202/75/63)	79 13/16" / 35 7/8" / 24 1/4" (202.7/91/61.5)
Cut out dimensions (H/W/D) in. (cm)	80" / 30" / 24 1/16" (203.2/76.2/61)	80" / 35 7/8" / 24 1/16" (203.2/91/61)
Net weight lbs. (kg)	255.7 (116.0)	374.8 (170.0)
Voltage V/Hz	115/60	115/60
Possible Side-by-Side combination	CBS 1661 & CBS 1660	

Hinge	Left	CBS-1661	Right	CBS-1660	Left	CS-2081	Right	CS-2080
-------	------	----------	-------	----------	------	---------	-------	---------

Available Accessories	BLDR		BLDR	
744000200	Replacement water filter	\$49	Replacement water filter	\$49
9901-557-00	Stainless steel, Oval handle for 24" and 30", Free Standing	\$169	Stainless steel, Oval handle for 24" and 30", Free Standing	\$169

- Estimated energy cost will depend on utility rates and use. Estimated energy cost based on a national average electricity cost of 12 cents per kWh.
- Noise output – according to EN 60704-3.
- BioFresh bins temperatures 32°F (0°C). BioFresh-Plus bin 28°F (-2°C) or 32°F (0°C).

Freestanding/Semi **Built-in**



**CS-2082** PremiumPlus

◀36"▶



**CBS-2082** PremiumPlus

◀36"▶



MSRP	MAP	BLDR	MSRP	MAP	BLDR
\$6,709	\$6,099	\$5,799	\$7,369	\$6,699	\$6,299

Features		
Energy consum. (kWh/y) / Est. Yearly Energy Cost in US \$ *	533 / 64	528 / 63
Sound rating dB(A) **	44	44
Refrigerator capacity cu.ft. (l)	13.5 (382)	12.8 (365)
BioFresh comp. cu.ft. (l)		2.5 (69)
Freezer capacity cu.ft. (l)	6.0 (170)	6.0 (170)
Number of shelves / Number of door racks	3 / 6	4 / 6
Number of FrostSafe drawers	2 with LED lighting	2 with LED lighting
Number of BioFresh drawers		2 with LED lighting
Number of fruit and vegetable drawers	3 with LED lighting	
Electronic control	MagicEye with digital temp. display, touch electronic	MagicEye with digital temp. display, touch electronic
Refrigerator temperature range °F (°C) ***	+36°F to +45°F (+2°C to +7°C)	+36°F to +45°F (+2°C to +7°C)
Freezer temperature range °F (°C)	+7°F to -17°F (-14°C to -27°C)	+7°F to -17°F (-14°C to -27°C)
Defrost type	automatic	automatic
Interior light	LED light column and LED ceiling lighting	LED light column and LED ceiling lighting
Water filter	yes	yes
Ice Maker	fixed water connection	fixed water connection
Ice cube output lbs. (kg)/24h / Ice cube stock lbs. (kg)	3.1 (1.4) / 7.9 (3.6)	3.1 (1.4) / 7.9 (3.6)
Door hinges	left/right	left/right
Product dimensions (H/W/D) in. (cm)	80 5/16" / 35 7/8" / 24 1/4" (203.9/91/61.5)	80 5/16" / 35 7/8" / 24 1/4" (203.9/91/61.5)
Cut out dimensions (H/W/D) in. (cm)	80 9/16" / 36 1/16" / 24 1/16" (204.5/91.5/61)	80 9/16" / 36 1/16" / 24 1/16" (204.5/91.5/61)
Net weight lbs. (kg)	374.8 (170.0)	377.0 (171.0)
Voltage V/Hz	115/60	115/60

Available Accessories	BLDR	BLDR
74000200	Replacement water filter \$49	Replacement water filter \$49
9900-199-00	Decorative Top Grill for 36" French Door Refrigerator / Freezer for 84" Ht. \$219	Decorative Top Grill for 36" French Door Refrigerator / Freezer for 84" Ht. \$219

- Estimated energy cost will depend on utility rates and use. Estimated energy cost based on a national average electricity cost of 12 cents per kWh.
- Noise output – according to EN 60704-3.
- BioFresh bins temperatures 32°F (0°C). BioFresh-Plus bin 28°F (-2°C) or 32°F (0°C).

## Ventilation Requirements for **Pantry Models**

### Ventilation Requirements

This is a fully integrated refrigerator-freezer which means that it is fully enclosed by a kitchen cabinet. This type of cabinet must be carefully constructed using the correct dimensions, and it must provide suitable ventilation to ensure proper appliance operation.

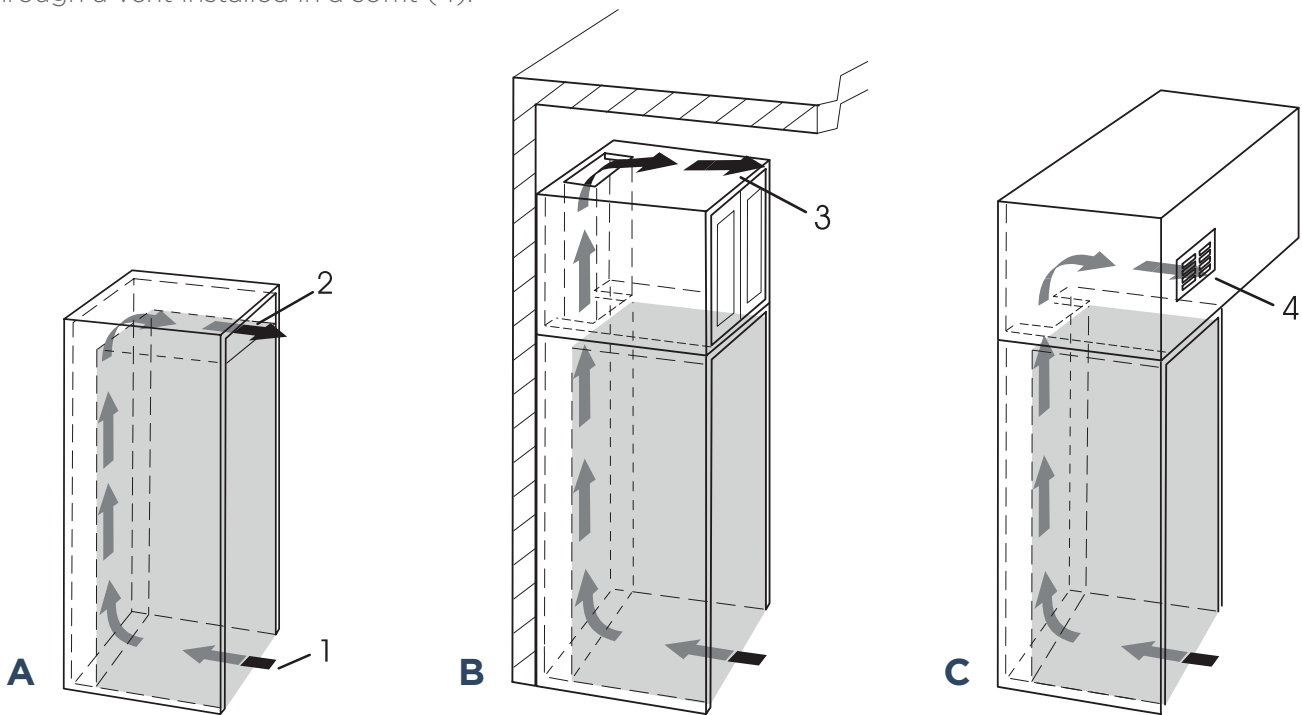
### Kitchen Cabinet Airflow Creates Near Silent Operation

The following ventilation dimensions must be observed:

There must be a ventilation space at least 31 in. (200 cm) at the airflow inlet (1) and at the airflow outlet (2).

The top ventilation space can be directed in one of the following ways:

- A. Directly over the appliance (2) with a custom made vent.
- B. Above the cabinet and below the ceiling (3).
- C. Through a vent installed in a soffit (4).



#### Applies to models:

HC 1000B	HCB 1060	HW 3000	HWgb 5100
HC 1001B	HRB 1120	HWgb 3300	HWgw 5100
HC 1030	HF 861	HWgw 3300	HW 8000
HC 1050B	HW 4800	HWgb 8300	HWgw 8300

# Icon Features

## ADA Compliant

**ADA compliant**, designed to fit under counter heights between 32" and 34".

## Ice Maker

**Ice Maker** automatic with fixed water connection produces perfect half-moon crescent ice cubes and keeps a constant supply on hand.

## LED

**LED lighting** is energy efficient, long-lasting, and maintenance-free. It illuminates the refrigerator to ensure that your foods are visible.

## Telescopic Rails

**Telescopic rails** a self-closing system for both freezer drawers ensures easy and convenient handling.

## Soft System

**SoftSystem** integrated into the appliance door, cushions the door closure, thus eliminating slamming, even when the shelves are fully loaded.

## Soft Telescopic

**SoftTelescopic** a highly practical self-retracting, self-closing feature - makes daily use convenient and secure.

## Duo Cooling

**DuoCooling** controls the temperature in refrigerator/freezers with precision.

## Tip Open

**TipOpen** technology is the perfect answer for hands-free kitchen designs. Tap lightly and the glass door partially opens.

## Bio Fresh

**BioFresh technology** guarantees the perfect climate for superior, long-lasting freshness.

## Bio Cool

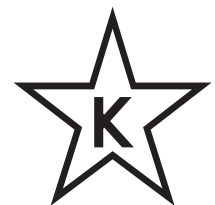
**BioCool** regulates humidity to keep fruits and vegetables fresher for longer.

## Smart Steel

**SmartSteel** finish significantly reduces the visibility of fingerprints, is easy to clean, and is scratch resistant.



**Energy Star** helps reduce energy consumption and greenhouse emissions in an effort to reduce damaging effects on the environment.



**Star-K**, certain models are certified as Sabbath compliant by the Star-K organization. Designed to meet the needs of all Kosher users.

# Fully Integrated



# Fully Integrated



**HC-1030** Comfort



**HC-1050B** Comfort



MSRP	MAP	BLDR	MSRP	MAP	BLDR
\$2,529	\$2,299	\$2,189	\$3,079	\$2,799	\$2,599

Features		HC-1030	HC-1050B
Energy consum. (kWh/y) / Est. Yearly Energy Cost in US \$ *		395/47	475/57
Sound rating dB(A) **		38	38
Refrigerator capacity cu.ft. (l)		7.0 (199)	6.9 (196)
Freezer capacity cu.ft. (l)		2.4 (68)	2.4 (68)
Number of shelves / Number of door racks		5/3	5/3
Number of FrostSafe drawers		3	4
Number of BioCool Drawers		1	1
Electronic control		MagicEye with LCD temp. display, key electronic	MagicEye with LCD temp. display, touch electronic
Refrigerator temperature range °F (°C)		+34 °F to +45 °F (+1 °C to +7 °C)	+34 °F to +45 °F (+1 °C to +7 °C)
Freezer temperature range °F (°C)		+5 °F to -15 °F (-15 °C to -26 °C)	+5 °F to -15 °F (-15 °C to -26 °C)
Defrost type		automatic	automatic
Interior light		LED lighting	LED lighting
Ice Maker			fixed water connection
Ice cube output lbs. (kg)/24h / Ice cube stock lbs. (kg)		1.8 (0.8)/ 2.2 (1.0)	1.8 (0.8)/ 2.2 (1.0)
SoftSystem / Door hinges		right, reversible	right, reversible
Product dimensions (H/W/D) in. (cm)		69 11/16" +11/16" / 22 1/16" / 21 7/16" (177 +1.6/55.9/54.4)	69 11/16" +11/16" / 22 1/16" / 21 7/16" (177 +1.6/55.9/54.4)
Cut out dimensions (H/W/D) in. (cm)		69 13/16" -70 7/16" / 22 1/16" -22 13/16" / 21 11/16" (177.2-178 8/56-57.8/55)	69 13/16" -70 7/16" / 22 1/16" -22 13/16" / 21 11/16" (177.2-178 8/56-57.8/55)
Net weight lbs. (kg)		145.5 (66.0)	166.2 (75.4)
Voltage V/Hz		115/60	115/60
Available Accessories		BLDR	
9096-034-00		Add on Water filter kit \$209	
9096-214-00		Door Stop 90° \$49	Door Stop 90° \$49

- Estimated energy cost will depend on utility rates and use. Estimated energy cost based on a national average electricity cost of 12 cents per kWh.
- Noise output – according to EN 60704-3.
- BioFresh bins temperatures 32°F (0°C), BioFresh-Plus bin 28°F (-2°C) or 32°F (0°C).

Fully **Integrated**



**HCB-1060** Premium



MSRP	MAP	BLDR
\$3,849	<b>\$3,499</b>	\$3,399

Features	
Energy consum. (kWh/yr) / Est. Yearly Energy Cost in US \$ *	475/57
Sound rating dB(A) **	38
Refrigerator capacity cu.ft. (l)	6.3 (179)
Freezer capacity cu.ft. (l)	2.4 (68)
Number of shelves / Number of door racks	4/2
Number of FrostSafe drawers	4 with LED lighting/0
Number of BioCool Drawers	
Electronic control	MagicEye with LCD temp. display, touch electronic
Refrigerator temperature range °F (°C)	+34 °F to +45 °F (+1 °C to +7 °C) +37 °F to +48 °F
Freezer temperature range °F (°C)	+7 °F to -15 °F (-14 °C to -26 °C)
Defrost type	automatic
Interior light	LED lighting
Ice Maker	right, reversible
Ice cube output lbs. (kg)/24h / Ice cube stock lbs. (kg)	1.8 (0.8)/ 2.2 (1.0)
SoftSystem / Door hinges	yes/right, reversible
Product dimensions (H/W/D) in. (cm)	69 11/16" +11/16" / 22 1/16" / 21 7/16" (177 +1.6/55.9/54.4)
Cut out dimensions (H/W/D) in. (cm)	69 13/16" -70 7/16" / 22 1/16" -22 13/16" / 21 11/16" (177.2-178 8/56-57.8/55)
Net weight lbs. (kg)	175.0(79.4)
Voltage V/Hz	115/60

- Estimated energy cost will depend on utility rates and use. Estimated energy cost based on a national average electricity cost of 12 cents per kWh.
- Noise output – according to EN 60704-3.
- BioFresh bins temperatures 32°F (0°C). BioFresh-Plus bin 28°F (-2°C) or 32°F (0°C).
- \*See pages 42-45 for Accessory Pricing
- Cut out height does not include Toe Kick.

# Fully Integrated



**HF-861** Premium



**HRB-1120** Premium



MSRP	MAP	BLDR	MSRP	MAP	BLDR
\$3,599	\$3,249	\$3,099	\$3,519	\$3,199	\$3,099

Features	HF-861	HRB-1120
Energy consum. (kWh/y) / Est. Yearly Energy Cost in US \$ *	439/ 53	283 / 34
Sound rating dB(A) **	38	33
Refrigerator capacity cu.ft. (l)		10.9 (308)
Freezer capacity cu.ft. (l)	7.8 (220)	0.6 (16)
BioFresh comp. cu.ft. (l)		3.2 (92)
Number of shelves / Number of door racks		8 / 5
Number of FrostSafe drawers / BioCool drawers	9/0	0/3 with LED lighting
Number of fruit and vegetable drawers		1
Electronic control	MagicEye with LCD temp. display, touch electronic	MagicEye with LCD temp. display, touch electronic
Refrigerator temperature range °F (°C)		+37°F to +48°F (+3°C to +9°C)
Freezer temperature range °F (°C)	+7°F to -18°F (-14°C to -28°C)	
Defrost type	automatic	automatic
Interior light	LED lighting	LED light column on both sides
SoftSystem/Door hinges	yes/ left, reversible	yes/ right, reversible
Ice Maker / Ice cube outputs lbs. (kg)/24h/ Ice cube stock lbs. (kg)	fixed water connection / 1.8 (0.8)/ 3.3 (1.5)	
Product dimensions (H/W/D) in. (cm)	69 11/16"+11/16" / 22 1/16" / 21 7/16" (177+1.6/55.9/54.4)	69 11/16" + 11/16" / 22 1/16"/ 21 7/16" (177+1.6/55.6/54.4)
Cut out dimensions (H/W/D) in. (cm) ****	69 13/16"-70 7/16" / 22 1/16"-22 13/16" / 21 11/16" (177.2-178.8/56-57.8/55)	69 13/16" -70 7/16" / 22 1/16"-22 13/16" / 21 11/16" (177.2-178.8/56-57.8/55)
Net weight lbs. (kg)	171.1 (77.6)	158.5 (71.9)
Possible Side-by-Side Combination	HF 861 & HRB 1120	HF 861 & HRB 1120 / HF 861 & HW 8000
Voltage V/Hz	115/60	115/60

Available Accessories	HF-861	HRB-1120
9902-007-00	Stainless steel panel with handle \$229	Stainless steel panel with handle \$229
9096-214-00	Door Stop 90° \$49	Door Stop 90° \$49
9096-034-00	Aftermarket External water filter \$209	Aftermarket External water filter \$209

- Estimated energy cost will depend on utility rates and use. Estimated energy cost based on a national average electricity cost of 12 cents per kWh.
- Noise output – according to EN 60704-3.
- BioFresh bins temperatures 32°F (0°C), BioFresh-Plus bin 28°F (-2°C) or 32°F (0°C).

Fully Integrated



HC-1550/1551 Premium



HC-1540/1541 Premium



MSRP	MAP	BLDR	MSRP	MAP	BLDR
\$5,939	\$5,399	\$4,899	\$5,499	\$4,999	\$4,899

Features	
Energy consum. (kWh/y) / Est. Yearly Energy Cost in US \$ *	475/57 / 507 / 61
Sound rating dB(A) **	38 / 42
Refrigerator capacity cu.ft. (l)	6.9 (196) / 9.8 (278)
BioFresh comp. cu.ft. (l)	
Freezer capacity cu.ft. (l)	2.4 (68) / 4.3 (122)
Number of shelves / Number of door racks	5 / 3 / 4 / 3
Number of FrostSafe drawers	4 with LED lighting / 2
Number of BioFresh drawers	1 with LED lighting
Number of fruit and vegetable drawers	2
Electronic control	MagicEye with digital temp. display, touch electronic / MagicEye with digital temp. display, touch electronic
Refrigerator temperature range °F (°C) ***	+34°F to +45°F (+1°C to +7°C) / +36°F to +43°F (+2°C to +6°C)
Freezer temperature range °F (°C)	+5°F to -15°F (-15°C to -26°C) / +7°F to -17°F (-14°C to -27°C)
Defrost type	automatic / automatic
Interior light	LED lighting / LED lighting
Water filter	yes / yes
Ice Maker	fixed water connection / water tank
Ice cube output lbs. (kg)/24h / Ice cube stock lbs. (kg)	1.8(0.8)/2.2 (1.0) / 3.1 (1.4) / 7.9 (3.6)
SoftSystem/Door hinges	yes/right reversible / right (HC-1540) left (HC-1541)
Product dimensions (H/W/D) in. (cm)	69 11/16" + 11/16"/22 1/16" / 21 7/16" (177+1.6/55.9/54.4) / 79 13/16" / 29 13/16" / 24 1/16" (202.7/75.7/61)
Cut out dimensions (H/W/D) in. (cm)	69 13/16"-70 7/16" / 22 1/16"-22 13/16" / 21 11/16" (177.2-178 8/56-57.8/55) / 80"-81 5/8" / 30" / 24 1/16" (203.2-207.2/76.2/61)
Net weight lbs. (kg)	315.3 (143.0) / 315.3 (143.0)
Voltage V/Hz	115/60 / 115/60

Hinge	Left	Right	Left	Right
	HC-1541	HC-1540	HC-1541	HC-1540

Available Accessories	BLDR		BLDR	
9900-283-00	Stainless steel panels freezers	\$169	Stainless steel panels freezers	\$169
9900-287-00	Stainless steel panels refrigerator 80"	\$389	Stainless steel panels refrigerator 80"	\$389
9900-285-00	Stainless steel panels refrigerator 84"	\$389	Stainless steel panels refrigerator 84"	\$389

• Estimated energy cost will depend on utility rates and use. Estimated energy cost based on a national average electricity cost of 12 cents per kWh.  
 • Noise output – according to EN 60704-3.  
 • BioFresh bins temperatures 32°F (0°C).

Fully **Integrated**



**HCB-1580/1581** PremiumPlus



MSRP	MAP	BLDR
\$6,599	\$5,999	\$5,699

Features	
Energy consum. (kWh/y) / Est. Yearly Energy Cost in US \$ *	507 / 61
Sound rating dB(A) **	42
Refrigerator capacity cu.ft. (l)	9.8 (278)
BioFresh comp. cu.ft. (l)	2.1 (60)
Freezer capacity cu.ft. (l)	4.3 (122)
Number of shelves / Number of door racks	4 / 3
Number of FrostSafe drawers	2 with LED lighting
Number of BioFresh drawers	2 with LED lighting
Number of fruit and vegetable drawers	
Electronic control	MagicEye with digital temp. display, touch electronic
Refrigerator temperature range °F (°C) ***	+37°F to +45°F (+3°C to +7°C)
Freezer temperature range °F (°C)	+7°F to -17°F (-14°C to -27°C)
Defrost type	automatic
Interior light	LED light column on both sides
Water filter	yes
Ice Maker	fixed water connection
Ice cube output lbs. (kg)/24h / Ice cube stock lbs. (kg)	3.3 (1.5) / 7.9 (3.6)
Door hinges	right (HCB-1580) left (HCB-1581)
Product dimensions (H/W/D) in. (cm)	79 11/16" / 29 13/16" / 24 1/16" (202.4/75.7/61)
Cut out dimensions (H/W/D) in. (cm)	80"-81 5/8" / 30" / 24 1/16" (203.2-207.2/76.2/61)
Net weight lbs. (kg)	330.7 (150.0)
Voltage V/Hz	115/60

Hinge Left **HCB-1581** Right **HCB-1580**

Available Accessories	BLDR	
9900-283-00	Stainless steel panels freezers \$169	Stainless steel panels freezers \$169
9900-287-00	Stainless steel panels refrigerator 80" \$389	Stainless steel panels refrigerator 80" \$389
9900-285-00	Stainless steel panels refrigerator 84" \$389	Stainless steel panels refrigerator 84" \$389

- Estimated energy cost will depend on utility rates and use. Estimated energy cost based on a national average electricity cost of 12 cents per kWh.
- Noise output – according to EN 60704-3.
- BioFresh bins temperatures 32°F (0°C).

# Fully Integrated



**HC-2080/HC-2081** PremiumPlus ◀36"▶

**HCB-2080/HCB-2081** PremiumPlus ◀36"▶



MSRP	MAP	BLDR	MSRP	MAP	BLDR
\$6,049	\$5,499	\$5,499	\$6,599	\$5,999	\$5,999

Features	HC-2080/HC-2081	HCB-2080/HCB-2081		
Energy consum. (kWh/y) / Est. Yearly Energy Cost in US \$ *	562 / 67	556 / 67		
Sound rating dB(A) **	44	43		
Refrigerator capacity cu.ft. (l)	13.5 (382)	12.9 (365)		
BioFresh comp. cu.ft. (l)		2.4 (69)		
Freezer capacity cu.ft. (l)	6.0 (170)	6.0 (170)		
Number of shelves / Number of door racks	3 / 7	4 / 6		
Number of FrostSafe drawers	2 with LED lighting	2 with LED lighting		
Number of BioFresh drawers		2 with LED lighting		
Number of fruit and vegetable drawers	3 with LED lighting			
Electronic control	MagicEye with digital temp. display, touch electronic	MagicEye with digital temp. display, touch electronic		
Refrigerator temperature range °F (°C) ***	+36°F to +43°F (+2°C to +6°C)	+37°F to +45°F (+3°C to +7°C)		
Freezer temperature range °F (°C)	+7°F to -17°F (-14°C to -27°C)	+7°F to -17°F (-14°C to -27°C)		
Defrost type	automatic	automatic		
Interior light	LED light column and LED ceiling lighting	LED light column and LED ceiling lighting		
Water filter	yes	yes		
Ice Maker	fixed water connection	fixed water connection		
Ice cube output lbs. (kg)/24h / Ice cube stock lbs. (kg)	3.1 (1.4) / 7.9 (3.6)	3.1 (1.4) / 7.9 (3.6)		
SoftSystem / Door hinges	right (HCB-2080) Left (HC-2081)	right (HCB-2080) Left (HCB-2081)		
Product dimensions (H/W/D) in. (cm)	79 13/16" / 35 7/8" / 24 1/16" (202.7/91/61)	79 13/16" / 35 7/8" / 24 1/16" (202.7/91/61)		
Cut out dimensions (H/W/D) in. (cm)	80"-81 5/8" / 36 1/16" / 24 5/8" (203.2-207.2/91.5/62.5)	80"-81 5/8" / 36 1/16" / 24 5/8" (203.2-207.2/91.5/62.5)		
Net weight lbs. (kg)	370.4 (168.0)	363.8 (165.0)		
Voltage V/Hz	115/60	115/60		
Hinge	Left ▶ <b>HC-2081</b>	Right ▶ <b>HC-2080</b>	Left ▶ <b>HCB-2081</b>	Right ▶ <b>HCB-2080</b>
Available Accessories	BLDR		BLDR	
9900-183-00	Side-by-side Kit	\$429	Side-by-side Kit	\$429
744000200	Replacement Water Filter	\$49	Replacement Water Filter	\$49

- Estimated energy cost will depend on utility rates and use. Estimated energy cost based on a national average electricity cost of 12 cents per kWh.
- Noise output – according to EN 60704-3.
- BioFresh bins temperatures 32°F (0°C), BioFresh-Plus bin 28°F (-2°C) or 32°F (0°C).

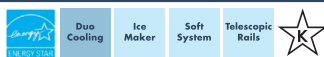
Fully **Integrated**



**HC-2082** PremiumPlus



**HCB-2082** PremiumPlus



MSRP	MAP	BLDR	MSRP	MAP	BLDR
\$6,599	\$5,999	\$5,999	\$7,149	\$6,499	\$6,499

Features		
Energy consum. (kWh/y) / Est. Yearly Energy Cost in US \$ *	562/67	556/67
Sound rating dB(A) **	44	43
Refrigerator capacity cu.ft. (l)	13.5 (382)	12.9 (365)
BioFresh comp. cu.ft. (l)		2.4 (69)
Freezer capacity cu.ft. (l)	6.0 (170)	6.0 (170)
Number of shelves / Number of door racks	3/8	4 / 6
Number of FrostSafe drawers	2 with LED lighting	2 with LED lighting
Number of BioFresh drawers		2 with LED lighting
Number of fruit and vegetable drawers	3 with LED lighting	
Electronic control	MagicEye with LCD temp. display, touch electronic	MagicEye with digital temp. display, touch electronic
Refrigerator temperature range °F (°C) ***	+36°F to +43°F (+2°C to +6°C)	+37°F to +45°F (+3°C to +7°C)
Freezer temperature range °F (°C)	+7°F to -17°F (-14°C to -27°C)	+7°F to -17°F (-14°C to -27°C)
Defrost type	automatic	automatic
Interior light	LED light column and LED ceiling lighting	LED light column and LED ceiling lighting
Water filter	yes	yes
IceMaker	fixed water connection	fixed water connection
Ice cube output lbs. (kg)/24h / Ice cube stock lbs. (kg)	3.1 (1.4) / 7.9 (3.6)	3.1 (1.4) / 7.9 (3.6)
SoftSystem / Door hinges	yes / left/right	yes / left/right
Product dimensions (H/W/D) in. (cm)	79 13/16" / 36" / 24 1/16" (202.7/91.4/61)	79 13/16" / 35 7/8" / 24 1/16" (202.7/91/61)
Cut out dimensions (H/W/D) in. (cm)	80"-/ 81 5/8" / 36" / 24 5/8" (203.2-207.2/91.44/62.5)	80"-81 5/8" / 36 1/16" / 24 5/8" (203.2-207.2/91.5/62.5)
Net weight lbs. (kg)	63.8 (165.0)	357.1 (162.0)
Voltage V/Hz	115/60	115/60

Available Accessories	BLDR	BLDR
9900-183-00	Side-by-Side kit \$429	Side-by-Side kit \$429
744000200	Replacement water filter \$49	Replacement water filter \$49

- Estimated energy cost will depend on utility rates and use. Estimated energy cost based on a national average electricity cost of 12 cents per kWh.
- Noise output – according to EN 60704-3.
- BioFresh bins temperatures 32°F (0°C), BioFresh-Plus bin 28°F (-2°C) or 32°F (0°C).

# Undercounter



# Undercounter



**RO-510**



**RU-510** GrandCru



MSRP	MAP	BLDR	MSRP	MAP	BLDR
\$2,399	\$2,199	\$1,999	\$1,799	\$1,649	\$1,599

Features		RO-510	RU-510 GrandCru
Sound rating dB(A) **		39	39
Total capacity cu.ft. (l)		3.7 (104)	3.8 (108)
Number of shelves		4	4
Shelves on telescopic rails		3	3
Shelf material		glass	glass
Electronic control		MagicEye with digital temp. display, touch electronic	MagicEye with digital temp. display, touch electronic
Temperature range °F (°C)		+36°F to +68°F (+2°C to +20°C)	+36°F to +68°F (+2°C to +20°C)
Temperature zones		1	1
Interior light		LED interior lighting	LED lighting permanently on
Door alarm		acoustic	acoustic
Safety thermostat		yes	yes
Activated Charcoal filter		yes	yes
Door type / Integrated lock		full door / yes	glass door with stainless steel frame / yes
Door hinges		right, reversible	right, reversible
Product dimensions (H/W/D) in. (cm)		32 1/4" / 23 9/16" / 22 3/4" (81.8/59.7/57.7)	32 1/4" / 23 9/16" / 22 3/4" (81.8/59.7/57.7)
Cut out dimensions (H/W/D) in. (cm)		32 5/16"-34 5/16" / 23 5/8" / 21 11/16" (82-87/60/55)	32 5/16"-34 5/16" / 23 5/8" / 21 11/16" (82-87/60/55)
Net weight lbs. (kg)		112.4 (51.0)	103.6 (47.0)
Voltage V/Hz		115/60	115/60

Available Accessories	BLDR		BLDR	
9590-131-00	Custom panel overlay kit	\$69	Custom panel overlay kit	\$69
9902-272-00	Side-by-Side kit	\$109	Side-by-Side kit	\$109
9902-240-00	Top filler angle bracket	\$19	Top filler angle bracket	\$19
9901-071-00	Stainless steel round handle	\$69	Stainless steel round handle	\$69

- Estimated energy cost will depend on utility rates and use. Estimated energy cost based on a national average electricity cost of 12 cents per kWh.
- Noise output – according to EN 60704-3.
- BioFresh bins temperatures 32°F (0°C), BioFresh-Plus bin 28°F (-2°C) or 32°F (0°C).

## Undercounter



**UPR-513** Premium



MSRP	MAP	BLDR
\$2,399	<b>\$2,199</b>	\$1,999

Features	
Energy consum. (kWh/y) / Est. Yearly Energy Cost in US \$ *	260/32
Sound rating dB(A) **	37
Total capacity cu.ft. (l)	4.4 (124)
Number of shelves	2
Number of fruit and vegetable drawers	1
Electronic control	MagicEye with LCD temp. display, touch electronic
Temperature range °F (°C) ***	+34°F to +48°F (+1°C to +9°C)
Defrost type	automatic
Interior light	LED lighting
Door alarm	
Door type	panel ready or stainless steel panel as accessory
SoftSystem	yes
Door hinges	pullout
Product dimensions (H/W/D) in. (cm)	32 5/16" +2 / 23 9/16" / 21 11/16" (81.95+5/59.7/55)
Cut out dimensions (H/W/D) in. (cm)	32 5/16"-34 11/16" / 23 5/8" / 21 11/16" (82-88/60/55)
Net weight lbs. (kg)	105.4 (47.8)
Voltage V/Hz	115/60
Available Accessories	
9901-527-00	Stainless steel round handle 14" <span style="float: right;">BLDR \$39</span>
9900-432-00	Stainless steel panel <span style="float: right;">\$209</span>
9900-436-00	Adjustable toe kick <span style="float: right;">\$79</span>

- Estimated energy cost will depend on utility rates and use. Estimated energy cost based on a national average electricity cost of 12 cents per kWh.
- Noise output – according to EN 60704-3.
- BioFresh bins temperatures 32°F (0°C), BioFresh-Plus bin 28°F (-2°C) or 32°F (0°C).

## Undercounter



**UR-500** Premium



Soft System

ADA Compliant



MSRP	MAP	BLDR
\$2,399	\$2,199	\$1,999

Features	
Energy consum. (kWh/y) / Est. Yearly Energy Cost in US \$ *	270 / 33
Sound rating dB(A) **	37
Refrigerator capacity cu.ft. (l)	4.8 (136)
BioFresh comp. cu.ft. (l)	
Number of shelves / Number of door racks	3 / 2
Number of BioFresh drawers	
Number of fruit and vegetable drawers	1
Electronic control	MagicEye with LCD temp. display, touch electronic
Refrigerator temperature range °F (°C) ***	+36°F to +48°F (+2°C to +9°C)
Defrost type	automatic
Interior light	LED lighting
Door alarm	visual and acoustic
Gallon storage	yes
Door type	panel ready or stainless steel panel as accessory
SoftSystem	yes
Door hinges	right, reversible
Product dimensions (H/W/D) in. (cm)	32 5/16"-34 11/16" / 23 9/16" / 21 11/16" (82-88/59.7/55)
Cut out dimensions (H/W/D) in. (cm)	32 5/16"-34 11/16" / 23 5/8" / 21 11/16" (82-88/60/55)
Net weight lbs. (kg)	80.0 (36.3)
Voltage V/Hz	115/60

Available Accessories		BLDR
9901-527-00	Stainless steel round handle 14"	\$39

- Estimated energy cost will depend on utility rates and use. Estimated energy cost based on a national average electricity cost of 12 cents per kWh.
- Noise output – according to EN 60704-3.
- BioFresh bins temperatures 32°F (0°C). BioFresh-Plus bin 28°F (-2°C) or 32°F (0°C).

## Undercounter



**UB-501** Premium



MSRP	MAP	BLDR
\$2,399	\$2,199	\$1,999

Features	
Energy consum. (kWh/y) / Est. Yearly Energy Cost in US \$ *	252 / 31
Sound rating dB(A) **	38
Refrigerator capacity cu.ft. (l)	2.8 (80)
BioFresh comp. cu.ft. (l)	2.8 (80)
Number of shelves / Number of door racks	2 / -
Number of BioFresh drawers	3 with LED lighting
Number of fruit and vegetable drawers	
Electronic control	MagicEye with LCD temp. display, touch electronic
Refrigerator temperature range °F (°C) ***	+32°F (0°C)
Defrost type	automatic
Interior light	
Door alarm	visual and acoustic
Gallon storage	yes
Door type	panel ready or stainless steel panel as accessory
SoftSystem	yes
Door hinges	left, reversible
Product dimensions (H/W/D) in. (cm)	32 5/16"-34 11/16" / 23 9/16" / 21 11/16" (82-88/59.7/55)
Cut out dimensions (H/W/D) in. (cm)	32 5/16"-34 11/16" / 23 5/8" / 21 11/16" (82-88/60/55)
Net weight lbs. (kg)	83.6 (37.9)
Voltage V/Hz	115/60

Available Accessories		BLDR
9901-527-00	Stainless steel round handle 14"	\$39

- Estimated energy cost will depend on utility rates and use. Estimated energy cost based on a national average electricity cost of 12 cents per kWh.
- Noise output – according to EN 60704-3.
- BioFresh bins temperatures 32°F (0°C), BioFresh-Plus bin 28°F (-2°C) or 32°F (0°C).

# Undercounter



**UF-501** Premium



MSRP	MAP	BLDR
\$2,399	\$2,199	\$1,999

Features	
Energy consum. (kWh/y) / Est. Yearly Energy Cost in US \$ *	347 / 42
Sound rating dB(A) **	38
Freezer capacity cu.ft. (l)	2.8 (79)
Number of FrostSafe drawers	3
Electronic control	MagicEye with LCD temp. display, touch electronic
Freezer temperature range °F (°C)	+7°F to -18°F (-14°C to -28°C)
Defrost type	automatic
Interior light	LED lighting
Door alarm	visual and acoustic
Door type	panel ready or stainless steel panel as accessory
SoftSystem	yes
Door hinges	left, reversible
Product dimensions (H/W/D) in. (cm)	32 5/16"-34 11/16" / 23 9/16" / 21 11/16" (82-88/59.7/55)
Cut out dimensions (H/W/D) in. (cm)	32 5/16"-34 11/16" / 23 5/8" / 21 11/16" (82-88/60/55)
Net weight lbs. (kg)	88.0 (39.9)
Voltage V/Hz	115/60

Available Accessories		BLDR
9901-527-00	Stainless steel round handle 14"	\$39

- Estimated energy cost will depend on utility rates and use. Estimated energy cost based on a national average electricity cost of 12 cents per kWh.
- Noise output – according to EN 60704-3.
- BioFresh bins temperatures 32°F (0°C), BioFresh-Plus bin 28°F (-2°C) or 32°F (0°C).

# Wine Cabinets



## Wine Cabinets



**WU-3400** Vinidor



**WUgb-3400** Vinidor



MSRP	MAP	BLDR	MSRP	MAP	BLDR
\$2,999	\$2,749	\$2,499	\$3,189	\$2,849	\$2,799

Features		WU-3400	WUgb-3400
Sound rating dB(A)*		39	38
Total capacity cu.ft. (l)		3.3 (94)	3.3 (94)
Max. No. of Bordeaux bottles (0.75 l)		34	34
Number of shelves / Shelves on telescopic rails		5 / 3	5 / 3
Shelf material		beech wood shelves	beech wood shelves
Electronic control		MagicEye with digital temp. display for both wine zones,	LCD temp. display for both wine zones, touch electronic
Temperature range °F (°C)		+41°F to +68°F (+5°C to +20°C)	+41°F to +68°F (+5°C to +20°C)
Temperature zones		2	2
Temperature alarm		acoustic	acoustic
Interior light		LED lighting permanently on, dimmable	LED lighting permanently on, dimmable
Door alarm		acoustic	acoustic
Safety thermostat		yes	yes
Activated Charcoal filter		yes	yes
Door type		glass door with stainless steel frame	black insulated glass door, handle and frame free
Integrated lock		yes	
SoftSystem			yes
Door hinges		right, reversible	right, reversible
Product dimensions (H/W/D) in. (cm)		32 1/4" / 23 9/16" / 22 11/16" (81.8/59.7/57.5)	32 1/4" / 23 9/16" / 22 11/16" (81.8/59.7/57.5)
Cut out dimensions (H/W/D) in. (cm)		32 5/16"-34 5/16" / 23 5/8" / 22 7/8" (82-87/60/58)	32 5/16"-34 5/16" / 23 5/8" / 22 7/8" (82-87/60/58)
Net weight lbs. (kg)		108.0 (49.0)	99.2 (45.0)
Voltage V/Hz		115/60	115/60
Available Accessories		BLDR	BLDR
7434557-00	Replacement Charcoal Filter	\$59	Replacement Charcoal Filter \$59
9901-071-00	Stainless steel round handle	\$69	Stainless steel round handle \$69
551003363-B	Under Counter Toe Kick Black	N/C	Under Counter Toe Kick Black N/C

- Estimated energy cost will depend on utility rates and use. Estimated energy cost based on a national average electricity cost of 12 cents per kWh.
- Noise output – according to EN 60704-3.
- BioFresh bins temperatures 32°F (0°C). BioFresh-Plus bin 28°F (-2°C) or 32°F (0°C).

## Wine Cabinets



**WU-4500** GrandCru

◀24"▶



MSRP	MAP	BLDR
\$2,299	\$2,069	\$1,999

Features	
Sound rating dB(A)*	39
Total capacity cu.ft. (l)	3.9 (110)
Max. No. of Bordeaux bottles (0.75 l)	46
Number of shelves / Shelves on telescopic rails	4 / 3
Shelf material	beech wood shelves
Electronic control	MagicEye with digital temp. display, touch electronic
Temperature range °F (°C)	+41°F to +68°F (+5°C to +20°C)
Temperature zones	1
Temperature alarm	acoustic
Interior light	LED interior lighting
Door alarm	acoustic
Safety thermostat	yes
Activated Charcoal filter	yes
Door type	full door
Integrated lock	yes
Door hinges	right, reversible
Product dimensions (H/W/D) in. (cm)	32 1/4" / 23 9/16" / 22 3/4" (81.8/59.7/57.7)
Cut out dimensions (H/W/D) in. (cm)	32 5/16"-34 5/16" / 23 5/8" / 22 7/8" (82-87/60/58)
Net weight lbs. (kg)	99.2 (45.0)
Voltage V/Hz	115/60

Hinge	Left ▶ N/A	Right ▶ WU-4500
-------	------------	-----------------

Available Accessories		BLDR
9590-131-00	Custom panel overlay kit	\$69
9902-272-00	Side-by-Side Kit	\$109
7434557-00	Replacement Charcoal filter	\$59

- Estimated energy cost will depend on utility rates and use. Estimated energy cost based on a national average electricity cost of 12 cents per kWh.
- Noise output – according to EN 60704-3.
- BioFresh bins temperatures 32°F (0°C). BioFresh-Plus bin 28°F (-2°C) or 32°F (0°C).

## Built-In Wine Cabinets



**HW-8000** Vinidor

◀24"▶



**HWgb-8300/ HWgw-8300** Vinidor

◀24"▶



MSRP	MAP	BLDR	MSRP	MAP	BLDR
\$3,999	\$3,649	\$3,499	\$4,499	\$4,049	\$3,999

Features	
Sound rating dB(A) *	36
Total capacity cu.ft. (l)	9.0 (254)
Max. No. of Bordeaux bottles (0.75 l)	80
Number of shelves / Shelves on telescopic rails	10 / 8
Shelf material	beech wood shelves
Presentation shelf	1
Electronic control	LCD temp. display for both wine zones, touch electronic
Temperature range °F (°C)	+41°F to +68°F (+5°C to +20°C)
Temperature zones	2
Temperature alarm	acoustic
Interior light	LED lighting permanently on, dimmable
Door alarm	acoustic
Safety thermostat	yes
Activated Charcoal filter	yes
Door type	panel ready or stainless steel panel as accessory
SoftSystem	yes
Door hinges	right, reversible
Product dimensions (H/W/D) in. (cm)	69 11/16" / 21 15/16" / 21 13/16" (177/55.7/55.3)
Cut out dimensions (H/W/D) in. (cm)**	70 1/8" / 22 1/16" / 21 11/16" (178/56/55)
Net weight lbs. (kg)	200.6 (91.0)
Voltage V/Hz	115/60
Available Accessories	BLDR
9901-561-00	Brushed aluminum square handle \$79
9901-573-00	Stainless steel panel, profile frame and handle \$259
9901080-00	Brushed aluminum profile frame 3/4" \$79

- Estimated energy cost will depend on utility rates and use. Estimated energy cost based on a national average electricity cost of 12 cents per kWh.
- Noise output – according to EN 60704-3.
- BioFresh bins temperatures 32°F (0°C). BioFresh-Plus bin 28°F (-2°C) or 32°F (0°C).

# Built-In Wine Cabinets



**HW-4800** Vinidor



**HWgb-5100/ HWgw-5100** Vinidor



LED Wine Soft System Telescopic Rails ADA Compliant

LED Wine Tip Open Soft System Telescopic Rails ADA Compliant

MSRP	MAP	BLDR	MSRP	MAP	BLDR
\$3,399	\$3,049	\$3,049	\$3,899	\$3,549	\$3,499

Features		
Sound rating dB(A)*	36	36
Total capacity cu.ft. (l)	5.6 (158)	6.0 (169)
Max. No. of Bordeaux bottles (0.75 l)	48	51
Number of shelves / Shelves on telescopic rails	6 / 4	6 / 4
Shelf material	beech wood shelves	beech wood shelves
Presentation shelf	1	1
Electronic control	LCD temp. display for both wine zones, touch electronic	LCD temp. display for both wine zones, touch electronic
Temperature range °F (°C)	+41°F to +68°F (+5°C to +20°C)	+41°F to +68°F (+5°C to +20°C)
Temperature zones	2	2
Temperature alarm	acoustic	acoustic
Interior light	LED lighting permanently on, dimmable	LED lighting permanently on, dimmable
Door alarm	acoustic	acoustic
Safety thermostat	yes	yes
Activated Charcoal filter	yes	yes
Door type	panel ready or stainless steel panel as accessory	black insulated glass door, handle and frame free
SoftSystem	yes	yes
Door hinges	right, reversible	right, reversible
Product dimensions (H/W/D) in. (cm)	48" / 21 15/16" / 21 13/16" (121.8/55.7/55.3)	48" / 21 15/16" / 22 9/16" (121.8/55.7/57.2)
Cut out dimensions (H/W/D) in. (cm) **	48 1/16" / 22 1/16" / 21 11/16" (122/56/55)	48 1/16" / 22 1/16" / 21 11/16" (122/56/55)
Net weight lbs. (kg)	147.7 (67.0)	152.1 (69.0)
Voltage V/Hz	115/60	115/60

Available Accessories	BLDR		BLDR	
9901-561-00	Brushed aluminum square handle	\$79	Brushed aluminum square handle	\$79
9901-575-00	Stainless steel panel, profile frame and handle	\$239	Stainless steel panel, profile frame and handle	\$239
9901079-00	Brushed aluminum profile frame 3/4"	\$59	Brushed aluminum profile frame 3/4"	\$59

- Estimated energy cost will depend on utility rates and use. Estimated energy cost based on a national average electricity cost of 12 cents per kWh.
- Noise output – according to EN 60704-3.
- BioFresh bins temperatures 32°F (0°C). BioFresh-Plus bin 28°F (-2°C) or 32°F (0°C).

# Built-In Wine Cabinets



**HW-3000** Vinidor



**HWgb-3300 / HWgw-3300** Vinidor



LED Wine Soft System Telescopic Rails ADA Compliant

LED Wine Tip Open Soft System Telescopic Rails ADA Compliant

MSRP	MAP	BLDR	MSRP	MAP	BLDR
\$2,899	\$2,629	\$2,499	\$3,199	\$2,849	\$2,849

Features		
Sound rating dB(A) *	36	36
Total capacity cu.ft. (l)	3.4 (97)	3.7 (104)
Max. No. of Bordeaux bottles (0.75 l)	30	33
Number of shelves / Shelves on telescopic rails	4 / 2	4 / 2
Shelf material	beech wood shelves	beech wood shelves
Presentation shelf	1	1
Electronic control	LCD temp. display for both wine zones, touch electronic	LCD temp. display for both wine zones, touch electronic
Temperature range °F (°C)	+41°F to +68°F (+5°C to +20°C)	+41°F to +68°F (+5°C to +20°C)
Temperature zones	2	2
Temperature alarm	acoustic	acoustic
Interior light	LED lighting permanently on, dimmable	LED lighting permanently on, dimmable
Door alarm	acoustic	acoustic
Safety thermostat	yes	yes
Activated Charcoal filter	yes	yes
Door type	panel ready or stainless steel panel as accessory	black insulated glass door, handle and frame free
SoftSystem	yes	yes
Door hinges	right, reversible	right, reversible
Product dimensions (H/W/D) in. (cm)	34 11/16" / 22 1/16" / 21 11/16" (88/56/55)	34 3/8" / 21 15/16" / 22 9/16" (87.2/55.7/57.2)
Cut out dimensions (H/W/D) in. (cm) **	34 11/16" / 22 1/16" / 21 11/16" (88/56/55)	34 11/16" / 22 1/16" / 21 11/16" (88/56/55)
Net weight lbs. (kg)	114.6 (52.0)	119.0 (54.0)
Voltage V/Hz	115/60	115/60

Available Accessories			
9901-561-00	Brushed aluminum square handle for 3000,4800,8000	\$79	Brushed aluminum square handle for 3000,4800,8000 \$79
9901075-00	Brushed aluminum profile frame 3/4" for HW 3000	\$59	Brushed aluminum profile frame 3/4" for HW 3000 \$59
9901081-00	Brushed aluminum profile frame 7/8" for HW 3000	\$49	Brushed aluminum profile frame 3/4" for HW 8000 \$49

- Estimated energy cost will depend on utility rates and use. Estimated energy cost based on a national average electricity cost of 12 cents per KWh.
- Noise output – according to EN 60704-3.
- BioFresh bins temperatures 32°F (0°C). BioFresh-Plus bin 28°F (-2°C) or 32°F (0°C).

## Built-In Wine Cabinets



**HWS-1800** GrandCru



**HWgb-1803/ HWgw-1803** GrandCru



MSRP \$2,039  
MAP \$1,849  
BLDR \$1,799

MSRP \$2,599  
MAP \$2,349  
BLDR \$2,299

Features			
Sound rating dB(A) *	36		36
Total capacity cu.ft. (l)	1.7 (47)		1.6 (46)
Max. No. of Bordeaux bottles (0.75 l)	18		18
Number of shelves / Shelves on telescopic rails	3 / 2		3 / 2
Shelf material	beech wood shelves		beech wood shelves
Electronic control	LCD temp. display, touch electronic		LCD temp. display, touch electronic
Temperature range °F (°C)	+41°F to +68°F (+5°C to +20°C)		+41°F to +68°F (+5°C to +20°C)
Temperature zones	1		1
Temperature alarm	acoustic		acoustic
Interior light	LED lighting permanently on, dimmable		LED lighting permanently on, dimmable
Door alarm	acoustic		acoustic
Safety thermostat			yes
Activated Charcoal filter	yes		yes
Door type	glass door with stainless steel frame		black insulated glass door, handle and frame free
SoftSystem			yes
Door hinges	right, reversible		drop-down door with TipOpen technology
Product dimensions (H/W/D) in. (cm)	17 3/8" / 21 15/16" / 20 9/16" (44.1/55.7/52.2)		17 11/16" / 21 7/8" / 22 1/16" (44.8/55.5/55.9)
Cut out dimensions (H/W/D) in. (cm)	17 3/4" / 22 1/16" / 21 11/16" (45/56/55)		17 3/4" / 22 1/16" / 21 11/16" (45/56/55)
Net weight lbs. (kg)	66.1 (30.0)		75.0 (34.0)
Voltage V/Hz	115/60		115/60
Available Accessories	BLDR		BLDR
9900-073-00	Trim kit 30"	\$169	Trim kit 30" \$169
9901085-00	Accessory drawer black glass	\$299	Accessory drawer black glass \$299
9901086-00	Accessory drawer white glass	\$299	Accessory drawer white glass \$299

- Estimated energy cost will depend on utility rates and use. Estimated energy cost based on a national average electricity cost of 12 cents per kWh.
- Noise output – according to EN 60704-3.
- BioFresh bins temperatures 32°F (0°C). BioFresh-Plus bin 28°F (-2°C) or 32°F (0°C).

## Freestanding



**WS-17800** Vinidor



MSRP	MAP	BLDR
\$6,489	\$5,899	\$5,499

Features	
Sound rating dB(A) *	39
Total capacity cu.ft. (l)	17.7 (505)
Max. No. of Bordeaux bottles (0.75 l)	178
Number of shelves / Shelves on telescopic rails	13 / 10
Shelf material	beech wood shelves
Presentation shelf	1
Electronic control	MagicEye with digital temp. display, touch electronic
Temperature range °F (°C)	+41°F to +68°F (+5°C to +20°C)
Temperature zones	3
Temperature alarm	acoustic
Interior light	LED interior lighting
Door alarm	acoustic
Safety thermostat	yes
Activated Charcoal filter	yes
Door type	glass door with stainless steel frame
Integrated lock	yes
SoftSystem	yes
Door hinges	right, reversible
Product dimensions (H/W/D) in. (cm)	75 5/8" / 27 9/16" / 29 1/4" (192/70/74.2)
Cut out dimensions (H/W/D) in. (cm)	77 9/16" / 28" / 27 1/16" (197/71.1/68.6)
Net weight lbs. (kg)	308.6 (140.0)
Voltage V/Hz	115/60

Available Accessories		BLDR
7433-243-00	Replacement charcoal filter, WS 1780	\$59

- Estimated energy cost will depend on utility rates and use. Estimated energy cost based on a national average electricity cost of 12 cents per kWh.
- Noise output – according to EN 60704-3.
- BioFresh bins temperatures 32°F (0°C). BioFresh-Plus bin 28°F (-2°C) or 32°F (0°C).

# Design & Lifestyle



## Design & Lifestyle



**XS-200** Humidor

◀ 17" ▶

LED

Cigar

Smart Steel



MSRP

MAP

BLDR

\$1,979

\$1,799

\$1,799

Features	
Sound rating dB(A)*	42
Total capacity cu.ft. (l)	1.4 (39)
Number of shelves	2
Shelf material	Spanish cedar wood shelves
Electronic control	LCD temp. display, touch electronic
Temperature range °F (°C)	+61°F to +68°F (+16°C to +20°C)
Temperature zones	1
Temperature alarm	
Interior light	LED lighting permanently on, dimmable
Door alarm	acoustic
Activated Charcoal filter	yes
Door type	glass door with stainless steel frame and SmartSteel
Integrated lock	yes
Door hinges	right
Product dimensions (H/W/D) in. (cm)	24 1/8" / 16 3/4" / 18 7/8" (61.2/42.5/47.8)
Cut out dimensions (H/W/D) in. (cm)	26" / 17" / 19" (66/43.1/48.2)
Net weight lbs. (kg)	68.3 (31.0)
Voltage V/Hz	115/60

Hinge

Left ▶ N/A

Right ▶ XS-200

Available Accessories

BLDR

7440699

Replacement charcoal filter

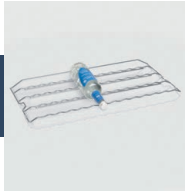
\$49

- Estimated energy cost will depend on utility rates and use. Estimated energy cost based on a national average electricity cost of 12 cents per kWh.
- Noise output – according to EN 60704-3.
- BioFresh bins temperatures 32°F (0°C), BioFresh-Plus bin 28°F (-2°C) or 32°F (0°C).

# Accessories



## Bottle Racks



Category	Models	Accessory	MAP	BLDR
<b>Bottle rack</b>	CS 1210, CS 1360B, CS 1321	<b>7113023-00</b>	\$19	\$19
	CBS 1360	<b>7112448-00</b>	\$19	\$19
	CS 1400R, CS 1400R-IM, CS 1401R-IM, CS 1410, CS 1640B	<b>7113257-00</b>	\$39	\$39
	CBS 1660, CBS 1661	<b>7112325-00</b>	\$39	\$39

## Bin Dividers



Category	Models	Accessory	MAP	BLDR
<b>Freezer divider for either drawer</b>	HCB 1580, HCB 1581	<b>9033-012-00</b>	\$39	\$39
	CS 2080, CS 2081, CS 2082, CBS 2082, HC 2080, HC 2081, HCB 2080,	<b>9033-016-00</b>	\$39	\$39
	HCB 2081, HC 2082, HCB 2082	<b>9033-016-00</b>	\$39	\$39
<b>Solid divider for 1st drawer only</b>	HCB 1580, HCB 1581	<b>9033-014-00</b>	\$39	\$39
	CS 2080, CS 2081, CS 2082, CBS 2082, HC 2080, HC 2081, HCB 2080,	<b>9033-018-00</b>	\$39	\$39
	HCB 2081, HC 2082, HCB 2082	<b>9033-018-00</b>	\$39	\$39

## Wine



Category	Models	Accessory	MAP	BLDR
<b>Accessory drawer / bottle storage</b>	WS 17800	<b>9033373-01</b>	\$149	\$139
<b>Accessory drawer stainless steel</b>	HWS 1800	<b>9901084-00</b>	\$319	\$299
<b>Accessory drawer black glass</b>	HWgb 1803	<b>9901085-00</b>	\$319	\$299
<b>Accessory drawer white glass</b>	HWgw 1803	<b>9901086-00</b>	\$319	\$299
<b>Plastic clip labels (2 pcs)</b>	WU 3400, WUgb 3400, WU 4500, HW 8000, HWgb 8300	<b>9094-397-00</b>	\$9	\$9
	HWgw 8300, HW 4800, HWgb 5100, HWgw 5100, HW 3000			
	HWgb 3300, HWgw 3300			

## Filters



Category	Models	Accessory	MAP	BLDR
<b>Charcoal filter</b>	WU 3400, WUgb 3400, WU 4500, HW 8000, HWgb 8300, HWgw 8300, HW 4800, HWgb 5100, HWgw 5100, HW 3000, HWgb 3300, HWgw 3300, HWgb 1803, HWgw 1803	<b>7434557-00</b>	\$59	\$59
	HWS 1800, WS 17800	<b>7433-243-00</b>	\$59	\$59
	WS 1200, XS 200	<b>7440699</b>	\$59	\$59
<b>Replacement Water filter</b>	CS 1360B, CBS 1360, CS 1400R-IM, CS 1401R-IM, CBS 1660, CBS 1661, CS 2080, CS 2081, CS 2082, CBS 2082, HC 1050B, HC 1080, HCB 1060, HF 861, HC 1550, HCB 1580, HCB 1581, HC 2080, HC 2081, HCB 2080, HCB 2081, HC 2082, HCB 2082, F 1051, WF 1061, BF 1061	<b>744000200</b>	\$49	\$49
<b>Aftermarket External Water Filter</b>	CS 1360B, CBS 1360, CS 1400R-IM, CS 1401R-IM, CBS 1660, CBS 1661, HC 1050B, HC 1080, HCB 1060, HF 861	<b>9096-034-00</b>	\$219	\$209

## Handles



Category	Models	Accessory	MAP	BLDR
<b>Brushed aluminum square handle</b>	HC 1550, HC 1540, HC 1541, HCB 1580, HCB 1581	<b>9900-281-00</b>	\$229	\$219
	HC 2080, HC 2081, HCB 2080, HCB 2081	<b>9900-329-00</b>	\$239	\$219
	HC 2082, HCB 2082	<b>9900-513-00</b>	\$319	\$289
	HW 8000, HW 4800, HW 3000	<b>9901-561-00</b>	\$79	\$79
<b>Stainless steel round handle</b>	RO 510, RU 510, WU 3400, WU 4500	<b>9901-071-00</b>	\$69	\$69
<b>Stainless steel round handles</b>	HC 1550, HC 1540, HC 1541, HCB 1580, HCB 1581	<b>9900-279-00</b>	\$229	\$219
	HC 2080, HC 2081, HCB 2080, HCB 2081	<b>9900-327-00</b>	\$239	\$219
	HC 2082, HCB 2082	<b>9900-339-00</b>	\$319	\$289
<b>Stainless steel round handle 14"</b>	UPR 503, UPR 513, UR 500, UB 501, UF 501	<b>9901-527-00</b>	\$39	\$39
<b>Square handle kit</b>	CS 1210, CS 1360B, CS 1321, CBS 1360, CS 1400R, CS 1400R-IM, CS 1401R-IM, CS 1410, CS 1640B, CBS 1660, CBS 1661	<b>9901-557-00</b>	\$179	\$169

## Installation Kits



Category	Models	Accessory	MAP	BLDR
<b>Adjustable Toe Kick</b>	UPR 503, UPR 513, UR 500, UB 501, UF 501	<b>9900-436-00</b>	\$79	\$79
<b>Custom panel overlay kit</b>	RU 510, WU 3400, WUgb 3400, WU 4500	<b>9590-131-00</b>	\$79	\$69
<b>Door Stop 90°</b>	HC 1030, HC 1050B, HC 1070, HC 1080, HCB 1060, HRB 1120, HF 861	<b>9096-214-00</b>	\$49	\$49
	HC 1550, HC 1540, HC 1541, HCB 1580, HCB 1581, HC 2080, HC 2081, HCB 2080, HCB 2081	<b>9096-699-00</b>	\$49	\$49
	CS 1321, CBS 1360, CS 1400R, CS1400R-IM, CS 1640B, CS 1660/61	<b>9096-683-00</b>	\$25	\$25
<b>Side-by-Side kit</b>	CS 1210, CS 1360B, CS 1321, CBS 1360, CS 1400R, CS 1400R-IM, CS 1401R-IM, CS 1410, CS 1640B, CBS 1660, CBS 1661	<b>9901-555-00</b>	\$319	\$299
	CS 2080, CS 2081	<b>9900-221-00</b>	\$509	\$499
	HC 1550, HC 1540, HC 1541, HCB 1580, HCB 1581	<b>9900-219-00</b>	\$459	\$429
	HC 2080, HC 2081, HCB 2080, HCB 2081	<b>9900-183-00</b>	\$459	\$429
	RU 510, WU 3400, WUgb 3400, WU 4500	<b>9902-272-00</b>	\$119	\$109
<b>Top filler angle bracket</b>	RU 510, WU 3400, WUgb 3400, WU 4500	<b>9902-240-00</b>	\$19	\$19
<b>Top filler – black glass</b>	WUgb 3400	<b>9901-599-00</b>	Included	Included
<b>Top grill for 67" to 72", Side-by-Side</b>	CS 1400R, CS 1400R-IM, CS 1401R-IM	<b>9901-521-00</b>	\$169	\$169
<b>Top grill for 67" to 72", single unit</b>	CS 1400R, CS 1400R-IM, CS 1401R-IM	<b>9901-523-00</b>	\$139	\$139
<b>Top ventilation grill 84" cabinets, single unit</b>	CS 2080, CS 2081	<b>9900-277-00</b>	\$239	\$219
	CS 2082, CBS 2082	<b>9900-199-00</b>	\$229	\$219
<b>Top ventilation grill 84" cabinets, 48" Side-by-Side</b>	CS 1321, CBS 1360	<b>9900-368-00</b>	\$279	\$259
<b>Trim kit 30"</b>	HWS 1800	<b>9900-073-00</b>	\$179	\$169
<b>Ventilation grill (pantries)</b>	HW 8000, HWgb 8300, HWgw 8300, HW 4800, HWgb 5100, HWgw 5100, HW 3000, HWgb 3300, HWgw 3300	<b>7427640-00</b>	\$19	\$19

## Panels & Frames



Category	Models	Accessory	MAP	BLDR
Brushed aluminum profile frame 3/4"	HW 8000	9901080-00	\$79	\$79
	HW 4800	9901079-00	\$59	\$59
	HW 3000	9901075-00	\$59	\$59
Brushed aluminum profile frame 7/8"	HW 8000	9901083-00	\$79	\$79
	HW 4800	9901082-00	\$59	\$59
	HW 3000	9901081-00	\$49	\$49
Stainless steel panel	UPR 503, UPR 513, UR 500, UB 501, UF 501	9900-432-00	\$219	\$209
Stainless steel panel with handle	HRB 1120, HF 861	9902-007-00	\$229	\$229
Stainless steel panel, profile frame and handle	HW 8000	9901-573-00	\$259	\$259
	HW 4800	9901-575-00	\$239	\$239
	HW 3000	9901-577-00	\$219	\$219
Stainless steel panels freezers	HC 1550, HC 1540, HC 1541, HCB 1580, HCB 1581	9900-283-00	\$179	\$169
	HC 2080, HC 2081, HCB 2080, HCB 2081, HC 2082, HCB 2082	9900-323-00	\$239	\$229
Stainless steel panels refrigerator 80"	HC 1550, HC 1540, HC 1541, HCB 1580, HCB 1581	9900-287-00	\$409	\$389
	HC 2080, HC 2081, HCB 2080, HCB 2081	9900-333-00	\$459	\$429
	HC 2082, HCB 2082	9900-337-00	\$479	\$449
Stainless steel panels refrigerator 84"	HC 1550, HC 1540, HC 1541, HCB 1580, HCB 1581	9900-285-00	\$409	\$389
	HC 2080, HC 2081, HCB 2080, HCB 2081	9900-331-00	\$459	\$429
	HC 2082, HCB 2082	9900-335-00	\$479	\$449



<b>Mid-Atlantic Division</b>	800-950-9900	215-554-6566	<b>MID-ATL@almo.com</b>
<b>Northeast Division</b>	800-836-2522	215-554-6697	<b>NE@almo.com</b>
<b>Southeast Division</b>	800-645-3505	215-554-6671	<b>SE@almo.com</b>
<b>South Central</b>	844-277-2566	215-554-6514	<b>SoCentral@almo.com</b>



## Almo Web Support

- premium.almo.com - Overview of Almo Premium Appliances
- www.access.almo.com - Almo's business-to-business website
  - *Spec sheets, inventory, pricing, training, spiff claims*



## Service/Parts Request

- ⦿ **Contact Liebherr to schedule service or request replacement parts**
  - **Phone** ☎ : 866-543-2437
  - **Customer Care Email** ✉ : service-appliances.us@liebherr.com
  - For cosmetic or damaged / missing parts, please contact Almo Customer Care
- ⦿ **If you need to escalate an issue, please contact Almo Customer Care** ✉
  - **Email** : PremiumApplianceCCC@almo.com
  - Call your regional number, option 2



## Good Stock/Cosmetic Damage Returns

- ⦿ **Dealer requesting return on a unit**
  - *Contact Almo CCC with detail of why the request is being made, model/serial #, and DOP*
  - **Remorse/order cancelled**
    - *If the unit is factory sealed and a current model, an RA will be approved*
      - Dealer is responsible for return freight
      - No restocking fee (20%) if within the first 10 days receipt
    - *If the unit is opened but unused, an RA will be approved if within the first 10 days*
      - Dealer is responsible for return freight
      - Minimum 40% restock fee
  - **Concealed damaged returns**
    - *Refuse any product you feel may be damaged (excludes full container orders)*
    - *Contact Almo CCC with detail of model/serial #, DOP, and how the unit was signed for*
    - *Photos of all sides of the carton and damage must be submitted for any return request on a damage product*

- There are no returns on **special order products**
- There are no returns on **installed products**
- Product returned not in the condition claimed is subject to a **minimum 35% restocking fee**



**LIEBHERR**  
Quality, Design and Innovation