

BLUESTAR[®]

Unleash Your Inner Chef[®]



2019 DEALER PRICE LIST

Updated: April 1, 2019

TABLE OF CONTENTS

FREESTANDING RANGES

4	Platinum Series
9	Nova (RNB) Series
14	Precious Metals Series
16	Culinary (RCS) Series
17	Sealed Burners
18 - 19	Freestanding Range Customization & Accessories

RANGETOPS & COOKTOPS

21	Platinum Series
26	Nova (RNB) Series
31	Gas Cooktops
32	Induction Cooktop
33	Rangetop & Cooktop Customization & Accessories

WALL OVENS

35	Gas Wall Ovens
37	Electric Wall Ovens
39	Wall Oven Customization & Accessories

BROILERS

41	Salamander Broiler & Indoor Charbroiler
42	Broiler Customization & Accessories

REFRIGERATION & DISHWASHER PANEL

44	36" Built-in Refrigerator
45	36" French Door Refrigerator
46	36" Freestanding Refrigerator & Dishwasher Panel

VENTILATION

48	Professional Series
55	Designer Series
72	Island Series
83	Abbaka Series
86 – 92	Ventilation Customization, Accessories & Duct Covers

To Place and/or Check Order Status

Phone: (800) 449 – 8691 or (610) 376 – 7479
Submit orders to: sales@bluestarcooking.com

When ordering specify LP or Natural Gas, Elevation, etc.

Inspect all deliveries immediately upon receipt and prior to signing for items in good condition. Note any damage to the box and/or items and contact BlueStar customer service by email to report damage same day. All shipments are FOB origin. Consignee is responsible for repair/replacement charges and for filing freight claims.

- BlueStar will ship dealer orders to their designated store or warehouse location
- Orders of \$15,000 or more shipped as one shipment qualify for pre-paid freight
- Freight charges for non-qualifying orders will be subject to the following cost schedule

Ranges, Cooktops, Rangetops, Wall Ovens, Salamander Broiler, Indoor Charbroiler, Counter-depth Refrigerator and Ventilation Hoods (Wall or Island with Blower)	\$95
Built-In Refrigerators	\$150

- Deliveries requiring Liftgate service will incur a \$30 flat fee per delivery
- Will-Call orders are subject to a \$10 Will-Call charge per order
- The freight program does not apply to small package orders/shipments that would typically be shipped via UPS or FedEx, such as color samples and backguards not shipped with a major unit.
- All freight charges for small package orders/shipments, except for warranty parts, will be invoiced to the dealer.

Get the Look: 48" Platinum Series range, 36" Built-in Refrigerator, 24" Salamander Broiler and 48" Bonanza style hood in Pigeon Blue – RAL 5014



FREESTANDING RANGES

Get the Look: 48" Platinum Series Range with Professional Metal Liner

FREESTANDING RANGES

24" PLATINUM SERIES



Model Shown: BSP244B

BSP244B



Model	Description	UMRP	MSRP
BSP244B	4 Burners	\$5,695	\$6,545
All PLATINUM ranges will come with an Interchangeable Griddle Charbroiler included. Stainless knobs are standard, any knob other than SS knobs are an additional charge.			
BACKGUARD OPTIONS:			
All BlueStar freestanding or slide in appliances must be installed with a UL approved backguard. A backguard option must be specified at the time of order. Unless otherwise specified, an Island Trim backguard will be entered at no charge.			
IT24BSP	Island Trim Backguard (Included)	\$350	\$400
BG624BSP	6" Backguard	\$375	\$435
BG2417BSP	17" Backguard	\$695	\$800
SDHS24BSP	24" High Shelf	\$915	\$1,050
COLOR OPTIONS: (See page 18 for additional color options)			
PAINT-STD RAL 24-36	Standard 190 RAL Colors	\$650	\$745
PAINT-STD RAL SIDES	Painted Body Sides – 190 RAL Colors	\$425	\$495
PAINT-PM 24-36	Precious Metals Colors (Includes Matte Black & Infused Copper)	\$1,250	\$1,445
PAINT-PM SIDES	Painted Body Sides – Prec. Metals Colors	\$425	\$495
KNOB OPTIONS: (Refer to page 18 for additional knob options)			
STD BLK – KNOB	Black Knob <i>(Can be substituted for brushed stainless knobs at no charge if included on order)</i>	N/C	N/C
PAINT-STD RAL KNOB	Standard 190 RAL Colors Knob (Installed)	\$80 ea.	\$95 ea.
PAINT-STD RAL KNOB N-I	Std 190 RAL Color Knob (Purchased separately)	\$100 ea.	\$115 ea.
TRIM OPTIONS: (Includes plated bezels, door handle, handle ends and logo)			
PLATED-24-30BSP	Antique, Brushed and Polished Brass, Antique, Brushed and Polished Copper, Chrome, Oil Rubbed Bronze & Pewter	\$950	\$1,095
ADDITIONAL CUSTOMIZATION & ACCESSORY OPTIONS: (Refer to page 18 and 19)			

FEATURES:

- 25,000 BTU PrimaNova™ burners
- All burners, plus Interchangeable Griddle and Charbroiler
- The PowR Oven™ provides 40% faster preheating and 30% increase in oven efficiency
- Gentle 130° simmer burner
- Integrated wok cooking
- Extra-large oven with True European Convection and 1850° infrared broiler
- Accommodates a half-size commercial 18" x 13" baking sheet
- Available in 750+ colors and finishes
- Handcrafted in Pennsylvania since 1880

PRODUCT SPECIFICATIONS:

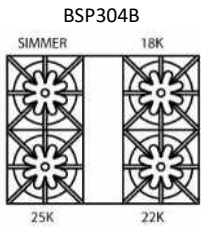
- Unit Dimensions: 23.875"W x 24"D x 36.75"H
- Oven Interior: 20.25"W x 20"D x 15"H
- Electrical Requirements: 120V, 60Hz, 15 AMPS, 1PH
- Gas Pressure: NAT: 5.0" WC, LP 10.0" WC
- Gas Line Size: ½
- Unit Weight: 435 lbs.

FREESTANDING RANGES

30" PLATINUM SERIES



Model Shown: BSP304B



Model	Description	UMRP	MSRP
BSP304B	4 Burners	\$6,495	\$7,465
All PLATINUM ranges will come with an Interchangeable Griddle Charbroiler included. Stainless knobs are standard, any knob other than SS knobs are an additional charge.			
BACKGUARD OPTIONS:			
All BlueStar freestanding or slide in appliances must be installed with a UL approved backguard. A backguard option must be specified at the time of order. Unless otherwise specified, an Island Trim backguard will be entered at no charge.			
IT30BSP	Island Trim Backguard (Included)	\$350	\$400
BG630BSP	6" Backguard	\$375	\$435
BG3017BSP	17" Backguard	\$695	\$800
SDHS30BSP	24" High Shelf	\$915	\$1,050
COLOR OPTIONS: (See page 18 for additional color options)			
PAINT-STD RAL 24-36	Standard 190 RAL Colors	\$650	\$745
PAINT-STD RAL SIDES	Painted Body Sides – 190 RAL Colors	\$425	\$495
PAINT-PM 24-36	Precious Metals Colors (Includes Matte Black & Infused Copper)	\$1,250	\$1,445
PAINT-PM SIDES	Painted Body Sides – Prec. Metals Colors	\$425	\$495
KNOB OPTIONS: (Refer to page 18 for additional knob options)			
STD BLK – KNOB	Black Knob <i>(Can be substituted for brushed stainless knobs at no charge if included on order)</i>	N/C	N/C
PAINT-STD RAL KNOB	Standard 190 RAL Colors Knob (Installed)	\$80 ea.	\$95 ea.
PAINT-STD RAL KNOB N-I	Std 190 RAL Color Knob (Purchased separately)	\$100 ea.	\$115 ea.
TRIM OPTIONS: (Includes plated bezels, door handle, handle ends and logo)			
PLATED-24-30BSP	Antique, Brushed and Polished Brass, Antique, Brushed and Polished Copper, Chrome, Oil Rubbed Bronze & Pewter	\$950	\$1,095
ADDITIONAL CUSTOMIZATION & ACCESSORY OPTIONS: (Refer to page 18 and 19)			

FEATURES:

- 25,000 BTU PrimaNova™ burners
- All burners, plus Interchangeable Griddle and Charbroiler
- The PowR Oven™ provides 40% faster preheating and 30% increase in oven efficiency
- Gentle 130° simmer burner
- Integrated wok cooking
- Extra-large oven with True European Convection and 1850° infrared broiler
- Accommodates a full-size commercial 18" x 26" baking sheet
- Available in 750+ colors and finishes
- Handcrafted in Pennsylvania since 1880

PRODUCT SPECIFICATIONS:

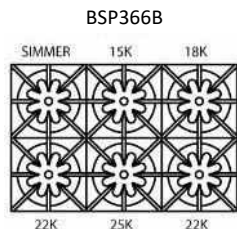
- Unit Dimensions: 29.875W x 24"D x 36.75"H
- Oven Interior: 26.25"W x 20"D x 15"H
- Electrical Requirements: 120V, 60Hz, 15 AMPS, 1PH
- Gas Pressure: NAT: 5.0" WC, LP 10.0" WC
- Gas Line Size: ½
- Unit Weight: 480 lbs.

FREESTANDING RANGES

36" PLATINUM SERIES



Model Shown: BSP366B



Model	Description	UMRP	MSRP
BSP366B	6 Burners	\$8,795	\$10,115
All PLATINUM ranges will come with an Interchangeable Griddle Charbroiler included. Stainless knobs are standard, any knob other than SS knobs are an additional charge.			
BACKGUARD OPTIONS:			
All BlueStar freestanding or slide in appliances must be installed with a UL approved backguard. A backguard option must be specified at the time of order. Unless otherwise specified, an Island Trim backguard will be entered at no charge.			
IT36BSP	Island Trim Backguard (Included)	\$415	\$475
BG636BSP	6" Backguard	\$445	\$515
BG3617BSP	17" Backguard	\$915	\$1,050
SDHS36BSP	24" High Shelf	\$1,050	\$1,200
COLOR OPTIONS: (See page 18 for additional color options)			
PAINT-STD RAL 24-36	Standard 190 RAL Colors	\$650	\$745
PAINT-STD RAL SIDES	Painted Body Sides – 190 RAL Colors	\$425	\$495
PAINT-PM 24-36	Precious Metals Colors (Includes Matte Black & Infused Copper)	\$1,250	\$1,445
PAINT-PM SIDES	Painted Body Sides – Prec. Metals Colors	\$425	\$495
KNOB OPTIONS: (Refer to page 18 for additional knob options)			
STD BLK – KNOB	Black Knob <i>(Can be substituted for brushed stainless knobs at no charge if included on order)</i>	N/C	N/C
PAINT-STD RAL KNOB	Standard 190 RAL Colors Knob (Installed)	\$80 ea.	\$95 ea.
PAINT-STD RAL KNOB N-I	Std 190 RAL Color Knob (Purchased separately)	\$100 ea.	\$115 ea.
TRIM OPTIONS: (Includes plated bezels, door handle, handle ends and logo)			
PLATED-36BSP	Antique, Brushed and Polished Brass, Antique, Brushed and Polished Copper, Chrome, Oil Rubbed Bronze & Pewter	\$1,200	\$1,380
ADDITIONAL CUSTOMIZATION & ACCESSORY OPTIONS: (Refer to page 18 and 19)			

FEATURES:

- 25,000 BTU PrimaNova™ burners
- All burners, plus Interchangeable Griddle and Charbroiler
- The PowR Oven™ provides 40% faster preheating and 30% increase in oven efficiency
- Gentle 130° simmer burner
- Integrated wok cooking
- Extra-large oven with True European Convection and 1850° infrared broiler
- Accommodates a full-size commercial 18" x 26" baking sheet
- Available in 750+ colors and finishes
- Handcrafted in Pennsylvania since 1880

PRODUCT SPECIFICATIONS:

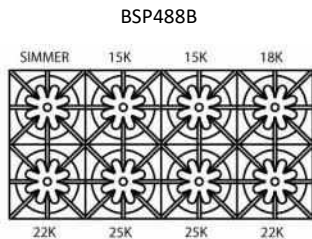
- Unit Dimensions: 35.875"W x 24"D x 36.75"H
- Oven Interior: 29"W x 20"D x 15"H
- Electrical Requirements: 120V, 60Hz, 15 AMPS, 1PH
- Gas Pressure: NAT: 5.0" WC, LP 10.0" WC
- Gas Line Size: ½
- Unit Weight: 555 lbs.

FREESTANDING RANGES

48" PLATINUM SERIES



Model Shown: BSP488B



Model	Description	UMRP	MSRP
BSP488B	8 Burners	\$12,295	\$14,135
All PLATINUM ranges will come with an Interchangeable Griddle Charbroiler included. Stainless knobs are standard, any knob other than SS knobs are an additional charge.			
BACKGUARD OPTIONS:			
All BlueStar freestanding or slide in appliances must be installed with a UL approved backguard. A backguard option must be specified at the time of order. Unless otherwise specified, an Island Trim backguard will be entered at no charge.			
IT48BSP	Island Trim Backguard (Included)	\$595	\$685
BG648BSP	6" Backguard	\$645	\$745
BG4817BSP	17" Backguard	\$1,350	\$1,550
SDHS48BSP	24" High Shelf	\$1,450	\$1,665
COLOR OPTIONS: (See page 18 for additional color options)			
PAINT-STD RAL 42-66	Standard 190 RAL Colors	\$850	\$975
PAINT-STD RAL SIDES	Painted Body Sides – 190 RAL Colors	\$425	\$495
PAINT-PM 42-66	Precious Metals Colors (Includes Matte Black & Infused Copper)	\$1,450	\$1,665
PAINT-PM SIDES	Painted Body Sides – Prec. Metals Colors	\$425	\$495
KNOB OPTIONS: (Refer to page 18 for additional knob options)			
STD BLK – KNOB	Black Knob <i>(Can be substituted for brushed stainless knobs at no charge if included on order)</i>	N/C	N/C
PAINT-STD RAL KNOB	Standard 190 RAL Colors Knob (Installed)	\$80 ea.	\$95 ea.
PAINT-STD RAL KNOB N-I	Std 190 RAL Color Knob (Purchased separately)	\$100 ea.	\$115 ea.
TRIM OPTIONS: (Includes plated bezels, door handle, handle ends and logo)			
PLATED-48BSP	Antique, Brushed and Polished Brass, Antique, Brushed and Polished Copper, Chrome, Oil Rubbed Bronze & Pewter	\$1,450	\$1,665
ADDITIONAL CUSTOMIZATION & ACCESSORY OPTIONS: (Refer to page 18 and 19)			

FEATURES:

- 25,000 BTU PrimaNova™ burners
- All burners, plus Interchangeable Griddle and Charbroiler
- The PowR Oven™ provides 40% faster preheating and 30% increase in oven efficiency
- Gentle 130° simmer burner
- Integrated wok cooking
- Extra-large oven with True European Convection and 1850° infrared broiler
- Accommodates a full-size commercial 18" x 26" baking sheet
- Available in 750+ colors and finishes
- Handcrafted in Pennsylvania since 1880

PRODUCT SPECIFICATIONS:

- Unit Dimensions: 47.875"W x 24"D x 36.75"H
- Large Oven Interior: 26.25"W x 20"D x 15"H
- Small Oven Interior: 12"W x 20"D x 15"H
- Electrical Requirements: 120V, 60Hz, 15 AMPS, 1PH
- Gas Pressure: NAT: 5.0" WC, LP 10.0" WC
- Gas Line Size: ¾"
- Unit Weight: 750 lbs.

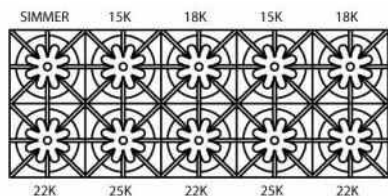
FREESTANDING RANGES

60" PLATINUM SERIES



Model Shown: BSP6010B

BSP6010B



Model	Description	UMRP	MSRP
BSP6010B	10 Burners	\$16,295	\$18,735
All PLATINUM ranges will come with an Interchangeable Griddle Charbroiler included. Stainless knobs are standard, any knob other than SS knobs are an additional charge.			
BACKGUARD OPTIONS:			
All BlueStar freestanding or slide in appliances must be installed with a UL approved backguard. A backguard option must be specified at the time of order. Unless otherwise specified, an Island Trim backguard will be entered at no charge.			
IT60BSP	Island Trim Backguard (Included)	\$750	\$865
BG660BSP	6" Backguard	\$950	\$1,100
BG6017BSP	17" Backguard	\$1,550	\$1,785
SDHS60BSP	24" High Shelf	\$1,795	\$2,065
COLOR OPTIONS: (See page 18 for additional color options)			
PAINT-STD RAL 42-66	Standard 190 RAL Colors	\$850	\$975
PAINT-STD RAL SIDES	Painted Body Sides – 190 RAL Colors	\$425	\$495
PAINT-PM 42-66	Precious Metals Colors (Includes Matte Black & Infused Copper)	\$1,450	\$1,665
PAINT-PM SIDES	Painted Body Sides – Prec. Metals Colors	\$425	\$495
KNOB OPTIONS: (Refer to page 18 for additional knob options)			
STD BLK – KNOB	Black Knob <i>(Can be substituted for brushed stainless knobs at no charge if included on order)</i>	N/C	N/C
PAINT-STD RAL KNOB	Standard 190 RAL Colors Knob (Installed)	\$80 ea.	\$95 ea.
PAINT-STD RAL KNOB N-I	Std 190 RAL Color Knob (Purchased separately)	\$100 ea.	\$115 ea.
TRIM OPTIONS: (Includes plated bezels, door handle, handle ends and logo)			
PLATED-60BSP	Antique, Brushed and Polished Brass, Antique, Brushed and Polished Copper, Chrome, Oil Rubbed Bronze & Pewter	\$1,650	\$1,895
ADDITIONAL CUSTOMIZATION & ACCESSORY OPTIONS: (Refer to page 18 and 19)			

FEATURES:

- 25,000 BTU PrimaNova™ burners
- All burners, plus Interchangeable Griddle and Charbroiler
- The PowR Oven™ provides 40% faster preheating and 30% increase in oven efficiency
- Gentle 130° simmer burner
- Integrated wok cooking
- Extra-large oven with True European Convection and 1850° infrared broiler
- Accommodates a full-size commercial 18" x 26" baking sheet
- Available in 750+ colors and finishes
- Handcrafted in Pennsylvania since 1880

PRODUCT SPECIFICATIONS:

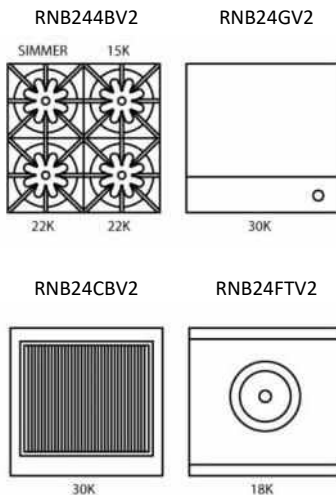
- Unit Dimensions: 59.875"W x 24"D x 36.75"H
- Oven Interior: 26.25"W x 20"D x 15"H
- Electrical Requirements: 120V, 60Hz, 15 AMPS, 1PH
- Gas Pressure: NAT: 5.0" WC, LP 10.0" WC
- Gas Line Size: ¾"
- Unit Weight: 930 lbs.

FREESTANDING RANGES

24" NOVA (RNB) SERIES



Model Shown: RNB244BV2



Model	Description	UMRP	MSRP
RNB244BV2	4 Burners	\$4,695	\$5,395
RNB24GV2	All Griddle	\$4,995	\$5,745
RNB24CBV2	All Charbroiler	\$4,995	\$5,745
RNB24FTV2	All French Top	\$5,495	\$6,315
BACKGUARD OPTIONS:			
All BlueStar freestanding or slide in appliances must be installed with a UL approved backguard. A backguard option must be specified at the time of order. Unless otherwise specified, an Island Trim backguard will be entered at no charge.			
IT24BSP	Island Trim Backguard (Included)	\$350	\$400
BG624BSP	6" Backguard	\$375	\$435
BG2417BSP	17" Backguard	\$695	\$800
SDHS24BSP	24" High Shelf	\$915	\$1,050
COLOR OPTIONS: (See page 18 for additional color options)			
PAINT-STD RAL 24-36	Standard 190 RAL Colors	\$650	\$745
PAINT-STD RAL SIDES	Painted Body Sides – 190 RAL Colors	\$425	\$495
PAINT-PM 24-36	Precious Metals Colors (Includes Matte Black & Infused Copper)	\$1,250	\$1,445
PAINT-PM SIDES	Painted Body Sides – Prec. Metals Colors	\$425	\$495
KNOB OPTIONS: (Refer to page 18 for additional knob options)			
STD BLK – KNOB	Black Knob <i>(Can be substituted for brushed stainless knobs at no charge if included on order)</i>	N/C	N/C
PAINT-STD RAL KNOB	Standard 190 RAL Colors Knob (Installed)	\$80 ea.	\$95 ea.
PAINT-STD RAL KNOB N-I	Std 190 RAL Color Knob (Purchased separately)	\$100 ea.	\$115 ea.
TRIM OPTIONS: (Includes plated bezels, door handle, handle ends and logo)			
PLATED-24-30	Antique, Brushed and Polished Brass, Antique, Brushed and Polished Copper, Chrome, Oil Rubbed Bronze & Pewter	\$900	\$1,035
DOOR OPTIONS:			
SWING DOOR – LH	Left Hinge Door Swing	\$950	\$1,095
SWING DOOR – RH	Right Hinge Door Swing	\$950	\$1,095
ADDITIONAL CUSTOMIZATION & ACCESSORY OPTIONS: (Refer to page 18 and 19)			

FEATURES:

- 22,000 BTU UltraNova™ burners & 15,000 BTU Nova™ burners
- Precise 130° simmer burner
- Available with all burners or add integrated griddle, charbroiler or French top
- Extra-large convection oven with 1850° infrared broiler that accommodates a half size 18" x 13" commercial baking sheet
- Integrated wok cooking
- Available with swing doors
- Available in 750+ colors & finishes plus additional customization options

PRODUCT SPECIFICATIONS:

- Unit Dimensions: 23.875"W x 24"D x 36.75"H
- Oven Interior: 20.25"W x 20"D x 15"H
- Electrical Requirements: 120V, 60Hz, 15 AMPS, 1PH
- Gas Pressure: NAT: 5.0" WC, LP 10.0" WC
- Gas Line Size: ½
- Unit Weight: 365 lbs.

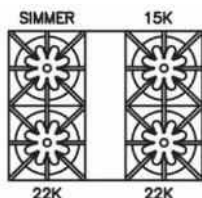
FREESTANDING RANGES

30" NOVA (RNB) SERIES



Model Shown: RNB304BV2

RNB304V2



Model	Description	UMRP	MSRP
RNB304BV2	4 Burners	\$4,895	\$5,625
BACKGUARD OPTIONS:			
IT30BSP	Island Trim Backguard (Included)	\$350	\$400
BG630BSP	6" Backguard	\$375	\$435
BG3017BSP	17" Backguard	\$695	\$800
SDHS30BSP	24" High Shelf	\$915	\$1,050
COLOR OPTIONS: (See page 18 for additional color options)			
All BlueStar freestanding or slide in appliances must be installed with a UL approved backguard. A backguard option must be specified at the time of order. Unless otherwise specified, an Island Trim backguard will be entered at no charge.			
PAINT-STD RAL 24-36	Standard 190 RAL Colors	\$650	\$745
PAINT-STD RAL SIDES	Painted Body Sides – 190 RAL Colors	\$425	\$495
PAINT-STD RAL KNOB	Standard 190 RAL Colors Knob (Installed)	\$80 ea.	\$95 ea.
PAINT-PM 24-36	Precious Metals Colors (Includes Matte Black & Infused Copper)	\$1,250	\$1,445
PAINT-PM SIDES	Painted Body Sides – Prec. Metals Colors	\$425	\$495
KNOB OPTIONS: (Refer to page 18 for additional knob options)			
STD BLK – KNOB	Black Knob <i>(Can be substituted for brushed stainless knobs at no charge if included on order)</i>	N/C	N/C
PAINT-STD RAL KNOB	Standard 190 RAL Colors Knob (Installed)	\$80 ea.	\$95 ea.
PAINT-STD RAL KNOB N-I	Std 190 RAL Color Knob (Purchased separately)	\$100 ea.	\$115 ea.
TRIM OPTIONS: (Includes plated bezels, door handle, handle ends and logo)			
PLATED-24-30	Antique, Brushed and Polished Brass, Antique, Brushed and Polished Copper, Chrome, Oil Rubbed Bronze & Pewter	\$900	\$1,035
DOOR OPTIONS:			
SWING DOOR – LH	Left Hinge Door Swing	\$950	\$1,095
SWING DOOR – RH	Right Hinge Door Swing	\$950	\$1,095
ADDITIONAL CUSTOMIZATION & ACCESSORY OPTIONS: (Refer to page 18 and 19)			

FEATURES:

- 22,000 BTU UltraNova™ burners & 15,000 BTU Nova™ burners
- Precise 130° simmer burner
- Available with all burners or add integrated griddle, charbroiler or French top
- Extra-large convection oven with 1850° infrared broiler that accommodates a full size 18" x 26" commercial baking sheet
- Integrated wok cooking
- Available with swing doors
- Available in 750+ colors & finishes plus additional customization options

PRODUCT SPECIFICATIONS:

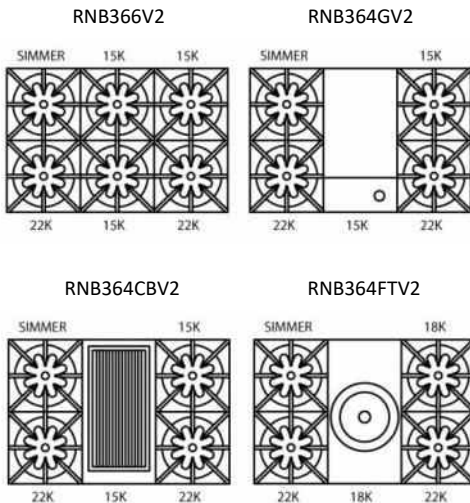
- Unit Dimensions: 29.875W x 24"D x 36.75"H
- Oven Interior: 26.25"W x 20"D x 15"H
- Electrical Requirements: 120V, 60Hz, 15 AMPS, 1PH
- Gas Pressure: NAT: 5.0" WC, LP 10.0" WC
- Gas Line Size: ½
- Unit Weight: 420 lbs.

FREESTANDING RANGES

36" NOVA (RNB) SERIES



Model Shown: RNB364GV2



Model	Description	UMRP	MSRP
RNB366BV2	6 Burners	\$6,495	\$7,465
RNB364CBV2	4 Burners w/ 12" Char. Br.	\$7,295	\$8,385
RNB364GV2	4 Burners w/ 12" Griddle	\$7,295	\$8,385
RNB364FTV2	4 Burners w/ 12" French Top	\$8,395	\$9,655
BACKGUARD OPTIONS:			
All BlueStar freestanding or slide in appliances must be installed with a UL approved backguard. A backguard option must be specified at the time of order. Unless otherwise specified, an Island Trim backguard will be entered at no charge.			
IT36BSP	Island Trim Backguard (Included)	\$415	\$475
BG636BSP	6" Backguard	\$445	\$515
BG3617BSP	17" Backguard	\$915	\$1,050
SDHS36BSP	24" High Shelf	\$1,050	\$1,200
COLOR OPTIONS: (See page 18 for additional color options)			
PAINT-STD RAL 24-36	Standard 190 RAL Colors	\$650	\$745
PAINT-STD RAL SIDES	Painted Body Sides – 190 RAL Colors	\$425	\$495
PAINT-PM 24-36	Precious Metals Colors (Includes Matte Black & Infused Copper)	\$1,250	\$1,445
PAINT-PM SIDES	Painted Body Sides – Prec. Metals Colors	\$425	\$495
KNOB OPTIONS: (Refer to page 18 for additional knob options)			
STD BLK – KNOB	Black Knob <i>(Can be substituted for brushed stainless knobs at no charge if included on order)</i>	N/C	N/C
PAINT-STD RAL KNOB	Standard 190 RAL Colors Knob (Installed)	\$80 ea.	\$95 ea.
PAINT-STD RAL KNOB N-I	Std 190 RAL Color Knob (Purchased separately)	\$100 ea.	\$115 ea.
TRIM OPTIONS: (Includes plated bezels, door handle, handle ends and logo)			
PLATED-36	Antique, Brushed and Polished Brass, Antique, Brushed and Polished Copper, Chrome, Oil Rubbed Bronze & Pewter	\$1,100	\$1,265
DOOR OPTIONS:			
SWING DOOR – LH	Left Hinge Door Swing	\$950	\$1,095
SWING DOOR – RH	Right Hinge Door Swing	\$950	\$1,095
ADDITIONAL CUSTOMIZATION & ACCESSORY OPTIONS: (Refer to page 18 and 19)			

FEATURES:

- 22,000 BTU UltraNova™ burners & 15,000 BTU Nova™ burners
- Precise 130° simmer burner
- Available with all burners or add integrated griddle, charbroiler or French top
- Extra-large convection oven with 1850° infrared broiler that accommodates a full size 18" x 26" commercial baking sheet
- Integrated wok cooking
- Available with swing doors
- Available in 750+ colors & finishes plus additional customization options

PRODUCT SPECIFICATIONS:

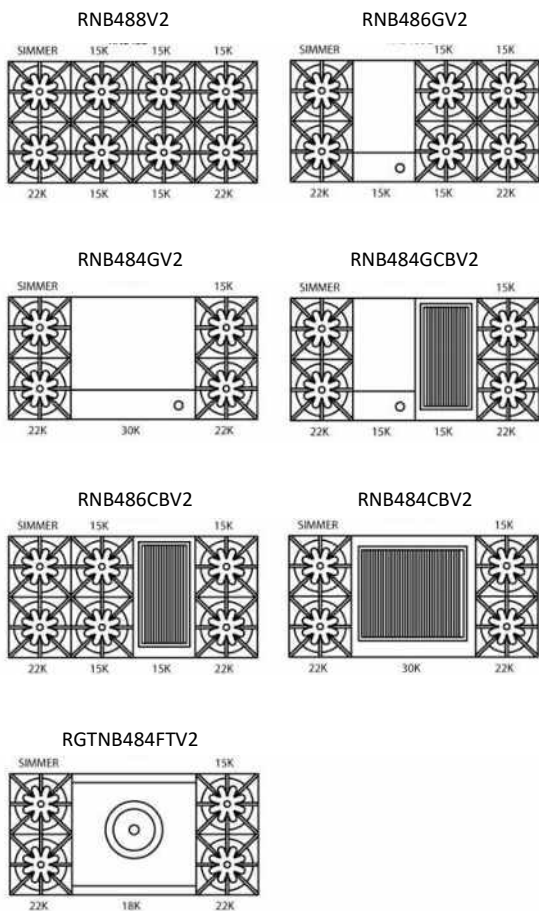
- Unit Dimensions: 35.875"W x 24"D x 36.75"H
- Oven Interior: 29"W x 20"D x 15"H
- Electrical Requirements: 120V, 60Hz, 15 AMPS, 1PH
- Gas Pressure: NAT: 5.0" WC, LP 10.0" WC
- Gas Line Size: ½
- Unit Weight: 470 lbs.

FREESTANDING RANGES

48" NOVA (RNB) SERIES



Model Shown: RNB486GV2



Model	Description	UMRP	MSRP
RNB488BV2	8 Burners	\$9,695	\$11,145
RNB486GV2	6 Burners w/ 12" Griddle	\$10,495	\$12,065
RNB486CBV2	6 Burners w/ 12" Char. Br.	\$10,495	\$12,065
RNB484GV2	4 Burners w/ 24" Griddle	\$11,295	\$12,985
RNB484CBV2	4 Burners w/ 24" Char. Br.	\$11,295	\$12,985
RNB484GCBV2	4 Burners w/ 12" Griddle & Char. Br.	\$11,295	\$12,985
RNB484FTBV2	4 Burners w/ 24" French Top	\$11,995	\$13,795

BACKGUARD OPTIONS:

All BlueStar freestanding or slide in appliances must be installed with a UL approved backguard. A backguard option must be specified at the time of order. Unless otherwise specified, an Island Trim backguard will be entered at no charge.

IT48BSP	Island Trim Backguard (Included)	\$595	\$685
BG648BSP	6" Backguard	\$645	\$745
BG4817BSP	17" Backguard	\$1,350	\$1,550
SDHS48BSP	24" High Shelf	\$1,450	\$1,665

COLOR OPTIONS: (See page 18 for additional color options)

PAINT-STD RAL 42-66	Standard 190 RAL Colors	\$850	\$975
PAINT-STD RAL SIDES	Painted Body Sides – 190 RAL Colors	\$425	\$495
PAINT-PM 42-66	Precious Metals Colors (Includes Matte Black & Infused Copper)	\$1,450	\$1,665
PAINT-PM SIDES	Painted Body Sides – Prec. Metals Colors	\$425	\$495

KNOB OPTIONS: (Refer to page 18 for additional knob options)

STD BLK – KNOB	Black Knob <i>(Can be substituted for brushed stainless knobs at no charge if included on order)</i>	N/C	N/C
PAINT-STD RAL KNOB	Standard 190 RAL Colors Knob (Installed)	\$80 ea.	\$95 ea.
PAINT-STD RAL KNOB N-I	Std 190 RAL Color Knob (Purchased separately)	\$100 ea.	\$115 ea.

TRIM OPTIONS: (Includes plated bezels, door handle, handle ends and logo)

PLATED-48	Antique, Brushed and Polished Brass, Antique, Brushed and Polished Copper, Chrome, Oil Rubbed Bronze & Pewter	\$1,350	\$1,550
-----------	---	---------	---------

DOOR OPTIONS:

SWING DOOR – LH	Left Hinge Door Swing	\$950	\$1,095
SWING DOOR – RH	Right Hinge Door Swing	\$950	\$1,095

ADDITIONAL CUSTOMIZATION & ACCESSORY OPTIONS: (Refer to page 18 and 19)

FEATURES:

- 22,000 BTU UltraNova™ burners & 15,000 BTU Nova™ burners
- Precise 130° simmer burner
- Available with all burners or add integrated griddle, charbroiler or French top
- Extra-large convection oven with 1850° infrared broiler that accommodates a full size 18" x 26" commercial baking sheet
- Integrated wok cooking
- Available with swing doors
- Available in 750+ colors & finishes plus additional customization options

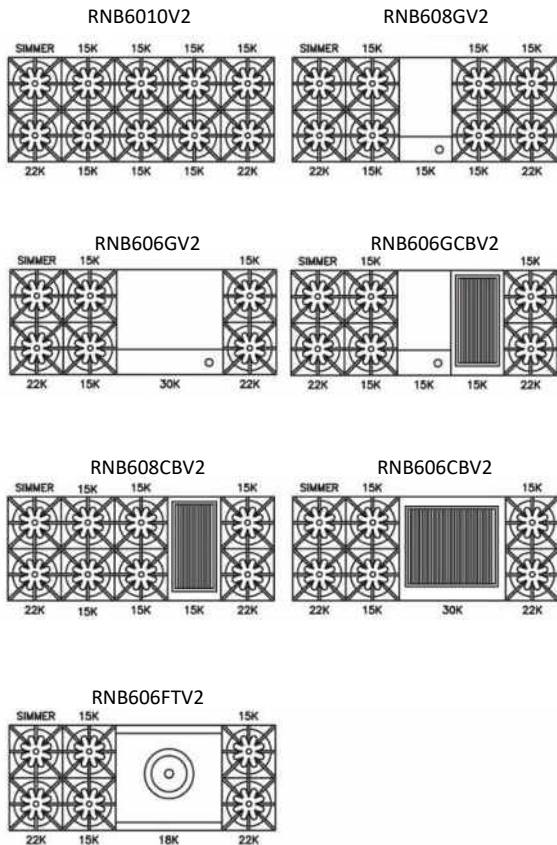
PRODUCT SPECIFICATIONS:

- Unit Dimensions: 47.875"W x 24"D x 36.75"H
- Large Oven Interior: 26.25"W x 20"D x 15"H
- Small Oven Interior: 12"W x 20"D x 15"H
- Electrical Requirements: 120V, 60Hz, 15 AMPS, 1PH
- Gas Pressure: NAT: 5.0" WC, LP 10.0" WC
- Gas Line Size: ¾"
- Unit Weight: 645 lbs.

FREESTANDING RANGES 60" NOVA (RNB) SERIES



Model Shown: RNB60FTV2



Model	Description	UMRP	MSRP
RNB6010BV2	10 Burners	\$15,695	\$18,045
RNB608GV2	8 Burners w/ 12" Griddle	\$14,895	\$17,125
RNB608CBV2	8 Burners w/ 12" Char. Br.	\$14,895	\$17,125
RNB606GV2	6 Burners w/ 24" Griddle	\$15,495	\$17,815
RNB606CBV2	6 Burners w/ 24" Char. Br.	\$15,495	\$17,815
RNB606GCBV2	6 Burners w/ 12" Griddle & Char. Br.	\$15,695	\$18,045
RNB606FTBV2	6 Burners w/ 24" French Top	\$15,995	\$18,395

BACKGUARD OPTIONS:

All BlueStar freestanding or slide in appliances must be installed with a UL approved backguard. A backguard option must be specified at the time of order. Unless otherwise specified, an Island Trim backguard will be entered at no charge.

IT60BSP	Island Trim Backguard (Included)	\$750	\$865
BG660BSP	6" Backguard	\$950	\$1,100
BG6017BSP	17" Backguard	\$1,550	\$1,785
SDHS60BSP	24" High Shelf	\$1,795	\$2,065

STANDARD COLOR OPTIONS: (See page 18 for additional color options)

PAINT-STD RAL 42-66	Standard 190 RAL Colors	\$850	\$975
PAINT-STD RAL SIDES	Painted Body Sides – 190 RAL Colors	\$425	\$495
PAINT-PM 42-66	Precious Metals Colors (Includes Matte Black & Infused Copper)	\$1,450	\$1,665
PAINT-PM SIDES	Painted Body Sides – Prec. Metals Colors	\$425	\$495

COLOR OPTIONS: (See page 18 for additional color options)

STD BLK – KNOB	Black Knob <i>(Can be substituted for brushed stainless knobs at no charge if included on order)</i>	N/C	N/C
PAINT-STD RAL KNOB	Standard 190 RAL Colors Knob (Installed)	\$80 ea.	\$95 ea.
PAINT-STD RAL KNOB N-I	Std 190 RAL Color Knob (Purchased separately)	\$100 ea.	\$115 ea.

TRIM OPTIONS: (Includes plated bezels, door handle, handle ends and logo)

PLATED-60	Antique, Brushed and Polished Brass, Antique, Brushed and Polished Copper, Chrome, Oil Rubbed Bronze & Pewter	\$1,550	\$1,785
-----------	---	---------	---------

DOOR OPTIONS:

SWING DOOR – LH	Left Door Swing	\$950	\$1,095
SWING DOOR – RH	Right Door Swing	\$950	\$1,095

ADDITIONAL CUSTOMIZATION & ACCESSORY OPTIONS: (Refer to page 18 and 19)

FEATURES:

- 22,000 BTU UltraNova™ burners & 15,000 BTU Nova™ burners
- Precise 130° simmer burner
- Available with all burners or add integrated griddle, charbroiler or French top
- Extra-large convection oven with 1850° infrared broiler that accommodates a full size 18" x 26" commercial baking sheet
- Integrated wok cooking
- Available with swing doors
- Available in 750+ colors & finishes plus additional customization options

PRODUCT SPECIFICATIONS:

- Unit Dimensions: 59.875"W x 24"D x 36.75"H
- Oven Interior: 26.25"W x 20"D x 15"H
- Electrical Requirements: 120V, 60Hz, 15 AMPS, 1PH
- Gas Pressure: NAT: 5.0" WC, LP 10.0" WC
- Gas Line Size: 3/4"
- Unit Weight: 800 lbs.

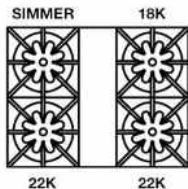
FREESTANDING RANGES

30" PRECIOUS METALS SERIES



Model Shown: RNB304PMV2

RNB304BPMV2



Model	Description	UMRP	MSRP
RNB304BPMV2	4 Burners	\$6,995	\$8,045
<p>Only available with the installed island trim backguard. Six unique colors with matching knobs and bezels included. Standard with French doors, casters not included on this model. Includes matching knobs and bezels and body sides. Ginger Spice & Stainless Steel units will have Stainless Steel knobs. Precious Metals ranges painted in an RAL color include painted body sides, knobs and bezels.</p>			
COLOR OPTIONS (Includes matching knobs, bezels and body sides):			
PAINT-PM24-36	Precious Metals Colors	Included	Included
Precious Metals Colors: Infused Copper (IC), Enchanted Sand (ESA), Enchanted Silver (ESI), Ginger Spice (GS), Statuary Bronze (SB) and Matte Black (MB)			
PAINT-STD RAL 24-36	Standard 190 RAL Colors	\$650	\$745
KNOB OPTIONS: (Refer to page 18 for additional knob options)			
STD BLK – KNOB	Black Knob <i>(Can be substituted for brushed stainless knobs at no charge if included on order)</i>	N/C	N/C
PAINT-STD RAL KNOB	Standard 190 RAL Colors Knob (Installed) <i>(Can be substituted for brushed stainless knobs at no charge if included on order)</i>	N/C	N/C
TRIM OPTIONS: (Includes plated bezels and badge logo)			
PLATED-CKTP-24-30	Antique, Brushed and Polished Brass, Antique, Brushed and Polished Copper, Chrome, Oil Rubbed Bronze & Pewter	\$450	\$515
ADDITIONAL CUSTOMIZATION & ACCESSORY OPTIONS: (Refer to page 18 and 19)			

FEATURES:

- 22,000 BTU UltraNova™ burners & 18,000 BTU Nova™ burners
- Precise 130° simmer burner
- Unique French Door for easy loading and unloading
- Contemporary, urban aesthetic
- Extra-large convection oven with 1850° infrared broiler that accommodates a full size 18" x 26" commercial baking sheet
- Six unique colors: Infused Copper, Statuary Bronze, Ginger Spice, Enchanted Silver, Enchanted Sand and Matte Black
- Matching knobs & trim

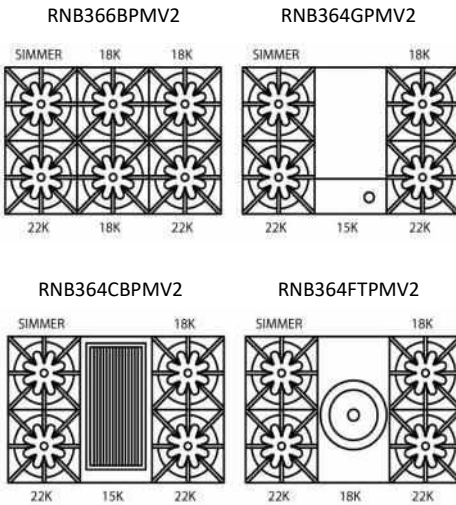
PRODUCT SPECIFICATIONS:

- Unit Dimensions: 29.875W x 24"D x 36.75"H
- Oven Interior: 26.25"W x 20"D x 15"H
- Electrical Requirements: 120V, 60Hz, 15 AMPS, 1PH
- Gas Pressure: NAT: 5.0" WC, LP 10.0" WC
- Gas Line Size: ½
- Unit Weight: 440 lbs.

FREESTANDING RANGES 36" PRECIOUS METALS SERIES



Model Shown: RNB366BPMV2



Model	Description	UMRP	MSRP
RNB366BPMV2	6 Burners	\$8,795	\$10,115
RNB364CBPMV2	4 Burners w/ 12" Char. Br.	\$9,295	\$10,685
RNB364GPMV2	4 Burners w/ 12" Griddle	\$9,295	\$10,685
RNB364FTPMV2	4 Burners w/ 12" French Top	\$9,495	\$10,915
Only available with the installed island trim backguard. Six unique colors with matching knobs and bezels included. Standard with French doors, casters not included on this model. Includes matching knobs and bezels and body sides. Ginger Spice & Stainless Steel units will have Stainless Steel knobs. Precious Metals ranges painted in an RAL color include painted body sides, knobs and bezels.			
COLOR OPTIONS (Includes matching knobs, bezels and body sides):			
PAINT-PM24-36	Precious Metals Colors	Included	Included
Precious Metals Colors: Infused Copper (IC), Enchanted Sand (ESA), Enchanted Silver (ESI), Ginger Spice (GS), Statuary Bronze (SB) and Matte Black (MB)			
PAINT-STD RAL 24-36	Standard 190 RAL Colors	\$650	\$745
KNOB OPTIONS: (Refer to page 18 for additional knob options)			
STD BLK – KNOB	Black Knob <i>(Can be substituted for brushed stainless knobs at no charge if included on order)</i>	N/C	N/C
PAINT-STD RAL KNOB	Standard 190 RAL Colors Knob (Installed) <i>(Can be substituted for brushed stainless knobs at no charge if included on order)</i>	N/C	N/C
TRIM OPTIONS: (Includes plated bezels and badge logo)			
PLATED-CKTP-36	Antique, Brushed and Polished Brass, Antique, Brushed and Polished Copper, Chrome, Oil Rubbed Bronze & Pewter	\$650	\$745
ADDITIONAL CUSTOMIZATION & ACCESSORY OPTIONS: (Refer to page 18 and 19)			

FEATURES:

- 22,000 BTU UltraNova™ burners & 18,000 BTU Nova™ burners
- Precise 130° simmer burner
- Unique French Door for easy loading and unloading
- Contemporary, urban aesthetic
- Extra-large convection oven with 1850° infrared broiler that accommodates a full size 18" x 26" commercial baking sheet
- Six unique colors: Infused Copper, Statuary Bronze, Ginger Spice, Enchanted Silver, Enchanted Sand and Matte Black
- Matching knobs & trim

PRODUCT SPECIFICATIONS:

- Unit Dimensions: 35.875"W x 24"D x 36.75"H
- Oven Interior: 29"W x 20"D x 15"H
- Electrical Requirements: 120V, 60Hz, 15 AMPS, 1PH
- Gas Pressure: NAT: 5.0" WC, LP 10.0" WC
- Gas Line Size: ½
- Unit Weight: 490 lbs.

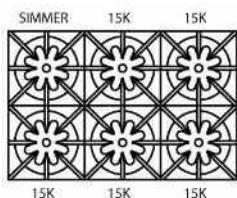
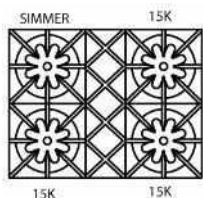
FREESTANDING RANGES CULINARY (RCS) SERIES



Model Shown: RCS304BV2

RCS304BV2

RCS366BV2



Model	Description	UMRP	MSRP
RCS304BV2	4 Burners	\$3,895	\$4,475
RCS366BV2	6 Burners	\$4,495	\$5,165
BACKGUARD OPTIONS:			
All BlueStar freestanding or slide in appliances must be installed with a UL approved backguard. A backguard option must be specified at the time of order. Unless otherwise specified, an Island Trim backguard will be entered at no charge.			
IT30BSP	Island Trim Backguard for 30" model	\$350	\$400
BG630BSP	6" Backguard for 30" model	\$375	\$435
BG3017BSP	17" Backguard for 30" model	\$695	\$800
SDHS30BSP	24" High Shelf for 30" model	\$915	\$1,050
IT36BSP	Island Trim Backguard for 36" model	\$415	\$475
BG636BSP	6" Backguard for 36" model	\$445	\$515
BG3617BSP	17" Backguard for 36" model	\$915	\$1,050
SDHS36BSP	24" High Shelf for 36" model	\$1,050	\$1,200
KNOB OPTIONS: (Refer to page 18 for additional knob options)			
STD – KNOB	Brushed Stainless Knob	\$75 ea.	\$85 ea.
PAINT-STD RAL KNOB	Standard 190 RAL Colors Knob (Installed)	\$80 ea.	\$95 ea.
PAINT-STD RAL KNOB N-1	Std 190 RAL Color Knob (Purchased separately)	\$100 ea.	\$115 ea.
ADDITIONAL CUSTOMIZATION & ACCESSORY OPTIONS: (Refer to page 18 and 19)			

FEATURES:

- 15,000 BTU Nova™ open burners
- Precise 130° simmer burner
- Extra-large convection oven with 1850° infrared broiler that accommodates a full size 18" x 26" commercial baking sheet
- Available in stainless steel only

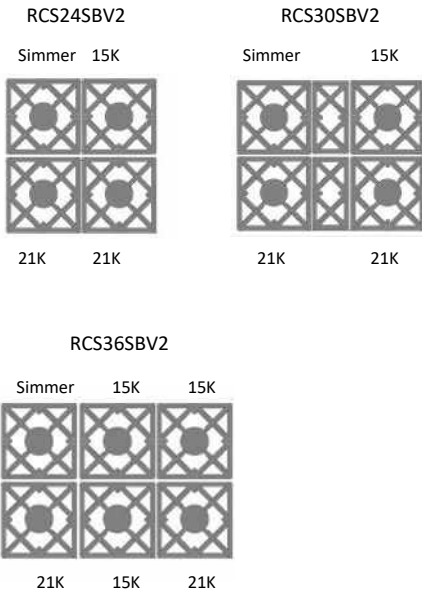
PRODUCT SPECIFICATIONS:

- 30" Unit Dimensions: 29.875W x 24"D x 36.75"H
- 36" Unit Dimensions: 35.875"W x 24"D x 36.75"H
- 30" Oven Interior: 26.25"W x 20"D x 15"H
- 36" Oven Interior: 29"W x 20"D x 15"H
- Electrical Requirements: 120V, 60Hz, 15 AMPS, 1PH
- Gas Pressure: NAT: 5.0" WC, LP 10.0" WC
- Gas Line Size: ½
- 30" Unit Weight: 420 lbs.
- 36" Unit Weight: 470 lbs.

FREESTANDING RANGES SEALED BURNER SERIES



Model Shown: RCS36SBV2



Model	Description	UMRP	MSRP
RCS24SBV2	4 Burners	\$3,395	\$3,905
RCS30SBV2	4 Burners	\$3,895	\$4,475
RCS36SBV2	6 Burners	\$4,495	\$5,165
BACKGUARD OPTIONS:			
All BlueStar freestanding or slide in appliances must be installed with a UL approved backguard. A backguard option must be specified at the time of order. Unless otherwise specified, an Island Trim backguard will be entered at no charge. 48" models are only available with 6" backguard option.			
IT24SB	Island Trim Backguard for 24" model	\$350	\$400
BG624SB	6" Backguard for 24" model	\$375	\$435
BG2417SB	17" Backguard for 24" model	\$695	\$800
SDHS24SB	24" High Shelf for 24" model	\$915	\$1,050
IT30SB	Island Trim Backguard for 30" model	\$350	\$400
BG630SB	6" Backguard for 30" model	\$375	\$435
BG3017SB	17" Backguard for 30" model	\$695	\$800
SDHS30SB	24" High Shelf for 30" model	\$915	\$1,050
IT36SB	Island Trim Backguard for 36" model	\$415	\$475
BG636SB	6" Backguard for 36" model	\$445	\$515
BG3617SB	17" Backguard for 36" model	\$915	\$1,050
SDHS36SB	24" High Shelf for 36" model	\$1,050	\$1,200
KNOB OPTIONS: (Refer to page 18 for additional knob options)			
STD – KNOB	Brushed Stainless Knob	\$75 ea.	\$85 ea.
PAINT-STD RAL KNOB	Standard 190 RAL Colors Knob (Installed)	\$80 ea.	\$95 ea.
PAINT-STD RAL KNOB N-1	Std 190 RAL Color Knob (Purchased separately)	\$100 ea.	\$115 ea.
ADDITIONAL CUSTOMIZATION & ACCESSORY OPTIONS: (Refer to page 18 and 19)			

FEATURES:

- Sealed burner design with up to 21,000 BTUs of power
- Precise simmer burner
- Extra-large convection oven with 1850° infrared broiler that accommodates a full size 18" x 26" commercial baking sheet. 24" model accommodates half size baking sheet.
- 24" depth for compatibility with standard kitchen cabinetry
- Available in stainless steel only

PRODUCT SPECIFICATIONS:

- 24" Unit Dimensions: 23.875"W x 24"D x 36.75"H
- 30" Unit Dimensions: 29.875W x 24"D x 36.75"H
- 36" Unit Dimensions: 35.875"W x 24"D x 36.75"H
- 24" Oven Interior: 20.25"W x 20"D x 15"H
- 30" Oven Interior: 26.25"W x 20"D x 15"H
- 36" Oven Interior: 29"W x 20"D x 15"H
- Electrical Requirements: 120V, 60Hz, 15 AMPS, 1PH
- Gas Pressure: NAT: 5.0" WC, LP 10.0" WC
- Gas Line Size: ½
- 24" Unit Weight: 365 lbs
- 30" Unit Weight: 380 lbs.
- 36" Unit Weight: 420 lbs.

FREESTANDING RANGES

CUSTOMIZATION & ACCESSORY OPTIONS

COLOR OPTIONS: <i>Must specify color on order</i>			
Model	Description	UMRP	MSRP
PAINT-STD RAL24-36	Standard RAL: 24", 30", 36" - RNB/BSP/BWO/EWO (Excludes Pearl, Luminous & Aluminum RAL's)	\$650	\$745
PAINT-STD RAL42-60	Standard RAL: 42" & 60" - RNB/BSP/BWO/EWO (Excludes Pearl, Luminous & Aluminum RAL's)	\$850	\$975
PAINT-STD RAL SIDES	Standard RAL: (2) Body sides – RNB/BSP (Excludes Pearl, Luminous & Aluminum RAL's)	\$425	\$495
PAINT-STD RAL KNOB	Standard RAL: Knob – Factory installed (Excludes Pearl, Luminous & Aluminum RAL's)	\$80 ea.	\$95 ea.
PAINT-STD RAL BEZEL	Standard RAL Bezel – Factory installed (Excludes Pearl, Luminous & Aluminum RAL's)	\$45 ea.	\$50 ea.
PAINT-TXT RAL 24-36	Textured Standard RAL: 24", 30", 36" - RNB/BSP/BWO/EWO (Excludes Pearl, Luminous & Aluminum RAL's)	\$1,050	\$1,195
PAINT-TXT RAL 42-60	Textured Standard RAL: 42" & 60" - RNB/BSP/BWO/EWO (Excludes Pearl, Luminous & Aluminum RAL's)	\$1,250	\$1,445
PAINT-TXT RAL SIDES	Textured Standard RAL: (2) Body sides – RNB/BSP (Excludes Pearl, Luminous & Aluminum RAL's)	\$425	\$485
PAINT-PM 24-36	Precious Metal: 24", 30" & 36" – RNB/BSP/BWO/EWO	\$1,250	\$1,445
PAINT-PM 42-60	Precious Metal: 42" & 60" – RNB/BSP	\$1,450	\$1,665
PAINT-PM SIDES	Precious Metal: (2) Body sides – RNB/BSP	\$425	\$495
PAINT-PM KNOB	Precious Metal: Knob – Factory installed (Ginger Spice – N/A)	\$125 ea.	\$145 ea.
PAINT-PM BEZEL	Precious Metal: Bezel – Factory installed (Ginger Spice – N/A)	\$55 ea.	\$65 ea.
PAINT-MATTE 24-36	Matte Collection: 24", 30" & 36" – RNB/BSP/BWO/EWO	\$1,250	\$1,445
PAINT-MATTE 42-60	Matte Collection: 48" & 60" – RNB/BSP	\$1,450	\$1,665
PAINT-MATTE SIDES	Matte Collection: (2) Body sides – RNB/BSP	\$425	\$495
PAINT-MATTE KNOB	Matte Collection: Knob – Factory installed (Ginger Spice – N/A)	\$125 ea.	\$145 ea.
PAINT-MATTE BEZEL	Matte Collection: Bezel – Factory installed (Ginger Spice – N/A)	\$55 ea.	\$65 ea.
PAINT-CC 24-36	Custom Color: 24", 30", 36" – RNB/BSP/BWO/EWO	\$2,150	\$2,475
PAINT-CC 42-60	Custom Color: 42" & 60" – RNB/BSP	\$2,400	\$2,760
PAINT-CC SIDES	Custom Color: (2) Body sides – RNB/BSP	\$425	\$495
PAINT-CC KNOB	Custom Color: Knob – Factory installed (Must order a 24" – 60" custom color appliance)	\$135 ea.	\$155 ea.
PAINT-CC BEZEL	Custom Color: Bezel – Factory installed (Must order a 24" – 60" custom color appliance)	\$55 ea.	\$65 ea.
CONFIGURATION CHANGES:			
ADD BURNER	Add (1) Star burner – RNB/RGTNB (22K, 15K, Simm), BSP (25K, 22K, 18K, 15K, Simm)	\$395	\$455
MOVE BURNER	Swap (2) Star burners – RNB/RGTNB/BSP	\$595	\$685
DOOR OPTIONS:			
SWING DOOR – LH	Swing door – Left hinge RNB Door – 24", 30" & 36" (Not available on 48" right side/small oven or 60" right oven). <i>Not available on Platinum Series</i>	\$950	\$1,095
SWING DOOR – RH	Swing door – Right hinge RNB Door – 24", 30" & 36" (Not available on 48" left side oven or 60" left oven). <i>Not available on Platinum Series</i>	\$950	\$1,095
SWING DOOR – RH	Swing door – Right hinge RNB Door – Small oven on 48" range. <i>Not available on Platinum Series</i>	\$950	\$1,095

FREESTANDING RANGES CUSTOMIZATION & ACCESSORY OPTIONS

PLATED TRIM OPTIONS:			
Trim Options: Brass, Copper, Chrome, Ant. Brass, Brushed Brass, Ant. Copper, Brushed Copper, Oil Rubbed Bronze & Pewter			
Model	Description	UMRP	MSRP
PLATED – 24-30	RNB Range: 24", 30" & 36"	\$900	\$1,035
PLATED – 24-30BSP	Platinum Range: 24" & 30"	\$950	\$1,095
PLATED – 36	RNB Range: 36"	\$1,100	\$1,265
PLATED – 36BSP	Platinum Range: 36"	\$1,200	\$1,380
PLATED – 48	RNB Range: 48"	\$1,350	\$1,550
PLATED – 48BSP	Platinum Range: 48"	\$1,450	\$1,665
PLATED – 60	RNB Range: 60"	\$1,550	\$1,785
PLATED – 60BSP	Platinum Range: 60"	\$1,650	\$1,895
PLATED – CKTP24-30	Precious Metals & Rangetop: 24" & 30"	\$450	\$515
PLATED – CKTP36	Precious Metals & Rangetop: 36"	\$650	\$745
PLATED – KNOB	Plated Knob	\$165 ea.	\$195 ea.
PLATED – BEZEL	Plated Bezel	\$110 ea.	\$130 ea.
ACCESSORIES:			
SS-KNOB	Brushed Stainless Knob	\$75 ea.	\$85 ea.
SS-BEZEL	Brushed Stainless Bezel	\$40 ea.	\$45 ea.
STD BLK – KNOB	Standard Black RNB Knob	\$45 ea.	\$50 ea.
EXTNRACK-24	Full Extension Rack – 24"	\$375	\$435
EXTNRACK-30	Full Extension Rack – 30"	\$400	\$460
EXTNRACK-36	Full Extension Rack – 36"	\$425	\$485
704406	Standard Oven Rack – 24"	\$75	\$85
704405	Standard Oven Rack – 30"	\$100	\$115
704402	Standard Oven Rack – 36"	\$115	\$130
704407	Standard Oven Rack – 48" Small Oven	\$70	\$80
R-RC-2	Two Rotating Casters (24", 30" & 36" models)	\$225	\$255
R-RC-3	Three Rotating Casters (48" & 60" models)	\$275	\$315
R-RC-4	Two Locking + Two Rotating Casters (24", 30" & 36")	\$350	\$400
R-RC-6	Three Locking + Three Rotating Casters (48" & 60")	\$475	\$545
HIGHLEG-4	4pc Set: Height 37 1/4", 39" Countertop (24", 30" & 36")	\$525	\$600
HIGHLEG-6	6pc Set: Height 37 1/4", 39" Countertop (48" & 60")	\$800	\$920
BSPICBG12	Platinum Interchangeable Charbroiler Griddle (Serial number is required to place an after sale order)	\$850	\$975
138901	Wok Ring	\$115	\$135



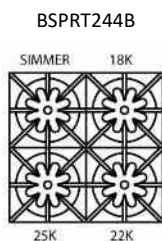
RANGETOPS AND COOKTOPS

Get the Look: 36" Platinum Series Rangetop with Brushed Brass trim and 36" Custom Incline Ventilation Hood

RANGETOPS 24" PLATINUM SERIES



Model Shown: BSPRT244B



Model	Description	UMRP	MSRP
BSPRT244B	4 Burners	\$4,295	\$4,945
All PLATINUM ranges will come with an Interchangeable Griddle Charbroiler included. Stainless knobs are standard, any knob other than SS knobs are an additional charge.			
BACKGUARD OPTIONS:			
All BlueStar freestanding or slide in appliances must be installed with a UL approved backguard. A backguard option must be specified at the time of order. Unless otherwise specified, an Island Trim backguard will be entered at no charge.			
IT24BSP	Island Trim Backguard (Included)	\$350	\$400
BG624BSP	6" Backguard	\$375	\$435
BG2417BSP	17" Backguard	\$695	\$800
SDHS24BSP	24" High Shelf	\$915	\$1,050
KNOB OPTIONS: (Refer to page 33 for additional knob options)			
STD BLK – KNOB	Black Knob <i>(Can be substituted for brushed stainless knobs at no charge if included on order)</i>	N/C	N/C
PAINT-STD RAL KNOB	Standard 190 RAL Colors Knob (Installed)	\$80 ea.	\$95 ea.
PAINT-STD RAL KNOB N-I	Std 190 RAL Color Knob (Purchased separately)	\$100 ea.	\$115 ea.
TRIM OPTIONS: (Includes plated bezels and logo)			
PLATED-CKTP24-30	Antique, Brushed and Polished Brass, Antique, Brushed and Polished Copper, Chrome, Oil Rubbed Bronze & Pewter	\$450	\$515
ADDITIONAL CUSTOMIZATION & ACCESSORY OPTIONS:			
See page 33: Knob color options, Configuration changes, Plated trim options & Accessories			

FEATURES:

- 25,000 BTU PrimaNova™ burners
- All burners, plus Interchangeable Griddle and Charbroiler
- Gentle 130° simmer burner
- Integrated wok cooking
- Handcrafted in Pennsylvania since 1880

PRODUCT SPECIFICATIONS:

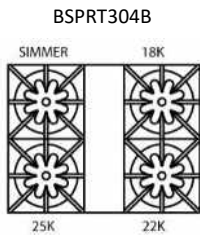
- Unit Dimensions: 23.875"W x 24"D x 8.625"H
- Electrical Requirements: 120V, 60Hz, 15 AMPS, 1PH
- Gas Pressure: NAT: 5.0" WC, LP 10.0" WC
- Gas Line Size: ½"
- Unit Weight: 220 lbs.

RANGETOPS

30" PLATINUM SERIES



Model Shown: BSPRT304B



Model	Description	UMRP	MSRP
BSPRT304B	4 Burners	\$4,695	\$5,395
All PLATINUM ranges will come with an Interchangeable Griddle Charbroiler included. Stainless knobs are standard, any knob other than SS knobs are an additional charge.			
BACKGUARD OPTIONS:			
All BlueStar freestanding or slide in appliances must be installed with a UL approved backguard. A backguard option must be specified at the time of order. Unless otherwise specified, an Island Trim backguard will be entered at no charge.			
IT30BSP	Island Trim Backguard (Included)	\$350	\$400
BG630BSP	6" Backguard	\$375	\$435
BG3017BSP	17" Backguard	\$695	\$800
SDHS30BSP	24" High Shelf	\$915	\$1,050
KNOB OPTIONS: (Refer to page 33 for additional knob options)			
STD BLK – KNOB	Black Knob <i>(Can be substituted for brushed stainless knobs at no charge if included on order)</i>	N/C	N/C
PAINT-STD RAL KNOB	Standard 190 RAL Colors Knob (Installed)	\$80 ea.	\$95 ea.
PAINT-STD RAL KNOB N-I	Std 190 RAL Color Knob (Purchased separately)	\$100 ea.	\$115 ea.
TRIM OPTIONS: (Includes plated bezels and logo)			
PLATED-CKTP24-30	Antique, Brushed and Polished Brass, Antique, Brushed and Polished Copper, Chrome, Oil Rubbed Bronze & Pewter	\$450	\$515
ADDITIONAL CUSTOMIZATION & ACCESSORY OPTIONS:			
See page 33: Knob color options, Configuration changes, Plated trim options & Accessories			

FEATURES:

- 25,000 BTU PrimaNova™ burners
- All burners, plus Interchangeable Griddle and Charbroiler
- Gentle 130° simmer burner
- Integrated wok cooking
- Handcrafted in Pennsylvania since 1880

PRODUCT SPECIFICATIONS:

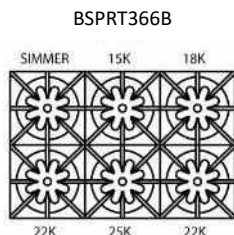
- Unit Dimensions: 29.875"W x 24"D x 8.625"H
- Electrical Requirements: 120V, 60Hz, 15 AMPS, 1PH
- Gas Pressure: NAT: 5.0" WC, LP 10.0" WC
- Gas Line Size: ½"
- Unit Weight: 235 lbs.

RANGETOPS

36" PLATINUM SERIES



Model Shown: BSPRT366B



Model	Description	UMRP	MSRP
BSPRT366B	6 Burners	\$4,995	\$5,745
All PLATINUM ranges will come with an Interchangeable Griddle Charbroiler included. Stainless knobs are standard, any knob other than SS knobs are an additional charge.			
BACKGUARD OPTIONS:			
All BlueStar freestanding or slide in appliances must be installed with a UL approved backguard. A backguard option must be specified at the time of order. Unless otherwise specified, an Island Trim backguard will be entered at no charge.			
IT36BSP	Island Trim Backguard (Included)	\$415	\$475
BG636BSP	6" Backguard	\$445	\$515
BG3617BSP	17" Backguard	\$915	\$1,050
SDHS36BSP	24" High Shelf	\$1,050	\$1,200
KNOB OPTIONS: (Refer to page 33 for additional knob options)			
STD BLK – KNOB	Black Knob <i>(Can be substituted for brushed stainless knobs at no charge if included on order)</i>	N/C	N/C
PAINT-STD RAL KNOB	Standard 190 RAL Colors Knob (Installed)	\$80 ea.	\$95 ea.
PAINT-STD RAL KNOB N-I	Std 190 RAL Color Knob (Purchased separately)	\$100 ea.	\$115 ea.
TRIM OPTIONS: (Includes plated bezels and logo)			
PLATED-CKTP36	Antique, Brushed and Polished Brass, Antique, Brushed and Polished Copper, Chrome, Oil Rubbed Bronze & Pewter	\$650	\$745
ADDITIONAL CUSTOMIZATION & ACCESSORY OPTIONS:			
See page 33: Knob color options, Configuration changes, Plated trim options & Accessories			

FEATURES:

- 25,000 BTU PrimaNova™ burners
- All burners, plus Interchangeable Griddle and Charbroiler
- Gentle 130° simmer burner
- Integrated wok cooking
- Handcrafted in Pennsylvania since 1880

PRODUCT SPECIFICATIONS:

- Unit Dimensions: 35.875"W x 24"D x 8.625"H
- Electrical Requirements: 120V, 60Hz, 15 AMPS, 1PH
- Gas Pressure: NAT: 5.0" WC, LP 10.0" WC
- Gas Line Size: ½"
- Unit Weight: 285 lbs.

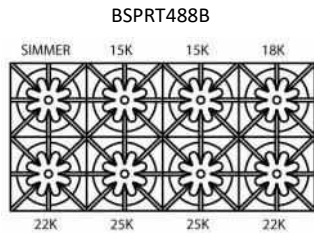
RANGETOPS

48" PLATINUM SERIES



Model Shown: BSPRT488B

Model	Description	UMRP	MSRP
BSPRT488B	8 Burners	\$5,995	\$6,895
All PLATINUM ranges will come with an Interchangeable Griddle Charbroiler included. Stainless knobs are standard, any knob other than SS knobs are an additional charge.			
BACKGUARD OPTIONS:			
All BlueStar freestanding or slide in appliances must be installed with a UL approved backguard. A backguard option must be specified at the time of order. Unless otherwise specified, an Island Trim backguard will be entered at no charge.			
IT48BSP	Island Trim Backguard (Included)	\$595	\$685
BG648BSP	6" Backguard	\$645	\$745
BG4817BSP	17" Backguard	\$1,350	\$1,550
SDHS48BSP	24" High Shelf	\$1,450	\$1,665
KNOB OPTIONS: (Refer to page 33 for additional knob options)			
STD BLK – KNOB	Black Knob <i>(Can be substituted for brushed stainless knobs at no charge if included on order)</i>	N/C	N/C
PAINT-STD RAL KNOB	Standard 190 RAL Colors Knob (Installed)	\$80 ea.	\$95 ea.
PAINT-STD RAL KNOB N-I	Std 190 RAL Color Knob (Purchased separately)	\$100 ea.	\$115 ea.
TRIM OPTIONS: (Includes plated bezels and logo)			
PLATED-CKTP48	Antique, Brushed and Polished Brass, Antique, Brushed and Polished Copper, Chrome, Oil Rubbed Bronze & Pewter	\$865	\$995
ADDITIONAL CUSTOMIZATION & ACCESSORY OPTIONS:			
See page 33: Knob color options, Configuration changes, Plated trim options & Accessories			



FEATURES:

- 25,000 BTU PrimaNova™ burners
- All burners, plus Interchangeable Griddle and Charbroiler
- Gentle 130° simmer burner
- Integrated wok cooking
- Handcrafted in Pennsylvania since 1880

PRODUCT SPECIFICATIONS:

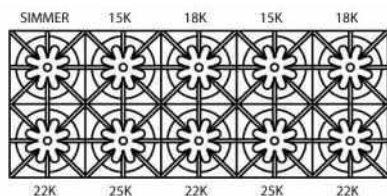
- Unit Dimensions: 47.875"W x 24"D x 8.625"H
- Electrical Requirements: 120V, 60Hz, 15 AMPS, 1PH
- Gas Pressure: NAT: 5.0" WC, LP 10.0" WC
- Gas Line Size: 3/4"
- Unit Weight: 345 lbs.

RANGETOPS 60" PLATINUM SERIES



Model Shown: BSPRT6010B

BSPRT6010B



Model	Description	UMRP	MSRP
BSPRT6010B	10 Burners	\$8,795	\$10,115
All PLATINUM ranges will come with an Interchangeable Griddle Charbroiler included. Stainless knobs are standard, any knob other than SS knobs are an additional charge.			
BACKGUARD OPTIONS:			
All BlueStar freestanding or slide in appliances must be installed with a UL approved backguard. A backguard option must be specified at the time of order. Unless otherwise specified, an Island Trim backguard will be entered at no charge.			
IT60BSP	Island Trim Backguard (Included)	\$750	\$865
BG660BSP	6" Backguard	\$950	\$1,100
BG6017BSP	17" Backguard	\$1,550	\$1,785
SDHS60BSP	24" High Shelf	\$1,795	\$2,065
KNOB OPTIONS: (Refer to page 33 for additional knob options)			
STD BLK – KNOB	Black Knob <i>(Can be substituted for brushed stainless knobs at no charge if included on order)</i>	N/C	N/C
PAINT-STD RAL KNOB	Standard 190 RAL Colors Knob (Installed)	\$80 ea.	\$95 ea.
PAINT-STD RAL KNOB N-I	Std 190 RAL Color Knob (Purchased separately)	\$100 ea.	\$115 ea.
TRIM OPTIONS: (Includes plated bezels and logo)			
PLATED-CKTP60	Antique, Brushed and Polished Brass, Antique, Brushed and Polished Copper, Chrome, Oil Rubbed Bronze & Pewter	\$1,080	\$1,245
ADDITIONAL CUSTOMIZATION & ACCESSORY OPTIONS:			
See page 33: Knob color options, Configuration changes, Plated trim options & Accessories			

FEATURES:

- 25,000 BTU PrimaNova™ burners
- All burners, plus Interchangeable Griddle and Charbroiler
- Gentle 130° simmer burner
- Integrated wok cooking
- Handcrafted in Pennsylvania since 1880

PRODUCT SPECIFICATIONS:

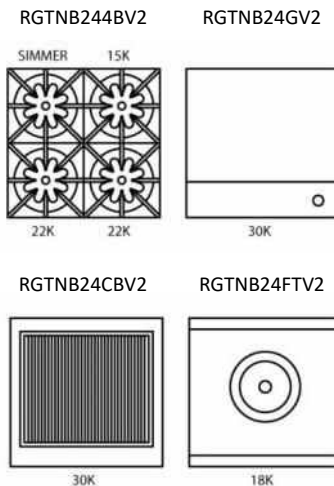
- Unit Dimensions: 59.875"W x 24"D x 8.625"H
- Electrical Requirements: 120V, 60Hz, 15 AMPS, 1PH
- Gas Pressure: NAT: 5.0" WC, LP 10.0" WC
- Gas Line Size: 3/4"
- Unit Weight: 410 lbs.

RANGETOPS

24" RNB SERIES



Model Shown: RGTNB244BV2



Model	Description	UMRP	MSRP
RGTNB244BV2	4 Burners	\$3,695	\$4,245
RGTNB24GV2	All Griddle	\$3,695	\$4,245
RGTNB24CBV2	All Charbroiler	\$3,695	\$4,245
RGTNB24FTV2	All French Top	\$3,795	\$4,395
BACKGUARD OPTIONS:			
All BlueStar freestanding or slide in appliances must be installed with a UL approved backguard. A backguard option must be specified at the time of order. Unless otherwise specified, an Island Trim backguard will be entered at no charge.			
IT24BSP	Island Trim Backguard (Included)	\$350	\$400
BG624BSP	6" Backguard	\$375	\$435
BG2417BSP	17" Backguard	\$695	\$800
SDHS24BSP	24" High Shelf	\$915	\$1,050
KNOB OPTIONS: (Refer to page 33 for additional knob options)			
STD BLK – KNOB	Black Knob <i>(Can be substituted for brushed stainless knobs at no charge if included on order)</i>	N/C	N/C
PAINT-STD RAL KNOB	Standard 190 RAL Colors Knob (Installed)	\$80 ea.	\$95 ea.
PAINT-STD RAL KNOB N-I	Std 190 RAL Color Knob (Purchased separately)	\$100 ea.	\$115 ea.
TRIM OPTIONS: (Includes plated bezels and logo)			
PLATED-CKTP24-30	Antique, Brushed and Polished Brass, Antique, Brushed and Polished Copper, Chrome, Oil Rubbed Bronze & Pewter	\$450	\$515
ADDITIONAL CUSTOMIZATION & ACCESSORY OPTIONS:			
See page 33: Knob color options, Configuration changes, Plated trim options & Accessories			

FEATURES:

- 22,000 BTU UltraNova™ burners & 15,000 BTU Nova™ burners
- Precise 130° simmer burner
- Available with all burners or add integrated griddle, charbroiler or French top
- Integrated wok cooking
- Handcrafted in Pennsylvania since 1880

PRODUCT SPECIFICATIONS:

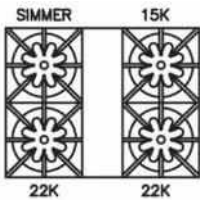
- Unit Dimensions: 23.875"W x 24"D x 8.625"H
- Electrical Requirements: 120V, 60Hz, 15 AMPS, 1PH
- Gas Pressure: NAT: 5.0" WC, LP 10.0" WC
- Gas Line Size: ½"
- Unit Weight: 185 lbs.

RANGETOPS 30" NOVA (RNB) SERIES



Model Shown: RGTNB304V2

RGTNB304V2



Model	Description	UMRP	MSRP
RGTNB304V2	4 Burners	\$3,795	\$4,365
BACKGUARD OPTIONS:			
All BlueStar freestanding or slide in appliances must be installed with a UL approved backguard. A backguard option must be specified at the time of order. Unless otherwise specified, an Island Trim backguard will be entered at no charge.			
IT30BSP	Island Trim Backguard (Included)	\$350	\$400
BG630BSP	6" Backguard	\$375	\$435
BG3017BSP	17" Backguard	\$695	\$800
SDHS30BSP	24" High Shelf	\$915	\$1,050
KNOB OPTIONS: (Refer to page 33 for additional knob options)			
STD BLK – KNOB	Black Knob <i>(Can be substituted for brushed stainless knobs at no charge if included on order)</i>	N/C	N/C
PAINT-STD RAL KNOB	Standard 190 RAL Colors Knob (Installed)	\$80 ea.	\$95 ea.
PAINT-STD RAL KNOB N-I	Std 190 RAL Color Knob (Purchased separately)	\$100 ea.	\$115 ea.
TRIM OPTIONS: (Includes plated bezels and logo)			
PLATED-CKTP24-30	Antique, Brushed and Polished Brass, Antique, Brushed and Polished Copper, Chrome, Oil Rubbed Bronze & Pewter	\$450	\$515
ADDITIONAL CUSTOMIZATION & ACCESSORY OPTIONS:			
See page 33: Knob color options, Configuration changes, Plated trim options & Accessories			

FEATURES:

- 22,000 BTU UltraNova™ burners & 15,000 BTU Nova™ burners
- Precise 130° simmer burner
- Available with all burners or add integrated griddle, charbroiler or French top
- Integrated wok cooking
- Handcrafted in Pennsylvania since 1880

PRODUCT SPECIFICATIONS:

- Unit Dimensions: 29.875"W x 24"D x 8.625"H
- Electrical Requirements: 120V, 60Hz, 15 AMPS, 1PH
- Gas Pressure: NAT: 5.0" WC, LP 10.0" WC
- Gas Line Size: ½"
- Unit Weight: 200 lbs.

RANGETOPS

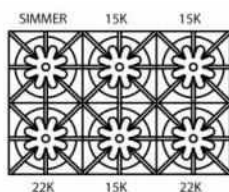
36" NOVA (RNB) SERIES



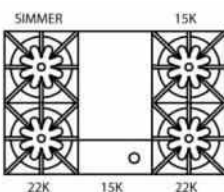
Model Shown: RGTNB364GV2

Model	Description	UMRP	MSRP
RGTNB366BV2	6 Burners	\$3,995	\$4,595
RGTNB364CBV2	4 Burners w/ 12" Char. Br.	\$4,295	\$4,945
RGTNB364GV2	4 Burners w/ 12" Griddle	\$4,295	\$4,945
RGTNB364FTV2	4 Burners w/ 12" French Top	\$5,295	\$6,095
BACKGUARD OPTIONS:			
All BlueStar freestanding or slide in appliances must be installed with a UL approved backguard. A backguard option must be specified at the time of order. Unless otherwise specified, an Island Trim backguard will be entered at no charge.			
IT36BSP	Island Trim Backguard (Included)	\$415	\$475
BG636BSP	6" Backguard	\$445	\$515
BG3617BSP	17" Backguard	\$915	\$1,050
SDHS36BSP	24" High Shelf	\$1,050	\$1,200
KNOB OPTIONS: (Refer to page 33 for additional knob options)			
STD BLK – KNOB	Black Knob <i>(Can be substituted for brushed stainless knobs at no charge if included on order)</i>	N/C	N/C
PAINT-STD RAL KNOB	Standard 190 RAL Colors Knob (Installed)	\$80 ea.	\$95 ea.
PAINT-STD RAL KNOB N-I	Std 190 RAL Color Knob (Purchased separately)	\$100 ea.	\$115 ea.
TRIM OPTIONS: (Includes plated bezels and logo)			
PLATED-CKTP36	Antique, Brushed and Polished Brass, Antique, Brushed and Polished Copper, Chrome, Oil Rubbed Bronze & Pewter	\$650	\$745
ADDITIONAL CUSTOMIZATION & ACCESSORY OPTIONS:			
See page 33: Knob color options, Configuration changes, Plated trim options & Accessories			

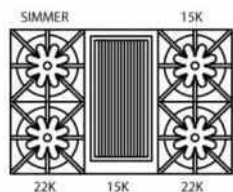
RGTNB366V2



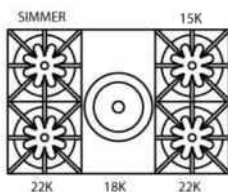
RGTNB364GV2



RGTNB364CBV2



RGTNB364FTV2



FEATURES:

- 22,000 BTU UltraNova™ burners & 15,000 BTU Nova™ burners
- Precise 130° simmer burner
- Available with all burners or add integrated griddle, charbroiler or French top
- Integrated wok cooking
- Handcrafted in Pennsylvania since 1880

PRODUCT SPECIFICATIONS:

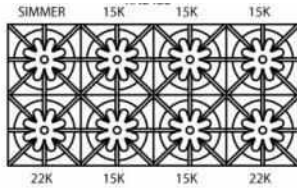
- Unit Dimensions: 35.875"W x 24"D x 8.625"H
- Electrical Requirements: 120V, 60Hz, 15 AMPS, 1PH
- Gas Pressure: NAT: 5.0" WC, LP 10.0" WC
- Gas Line Size: ½"
- Unit Weight: 220 lbs.

RANGETOPS 48" NOVA (RNB) SERIES

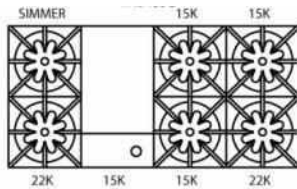


Model Shown: RGTNB484GCBV2

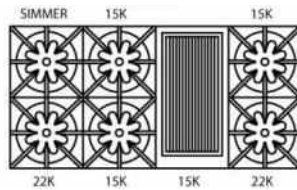
RGTNB488V2



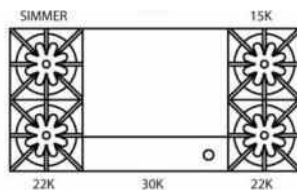
RGTNB486GV2



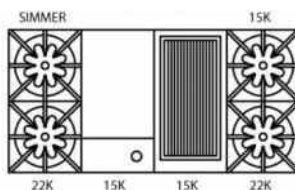
RGTNB486CBV2



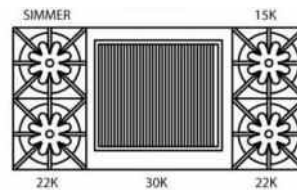
RGTNB484GV2



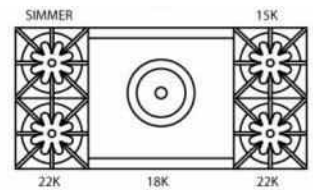
RGTNB484GCBV2



RGTNB484CBV2



RGTNB484FTV2



Model	Description	UMRP	MSRP
RGTNB488BV2	8 Burners	\$5,095	\$5,855
RGTNB486GV2	6 Burners w/ 12" Griddle	\$5,295	\$6,095
RGTNB486CBV2	6 Burners w/ 12" Char. Br.	\$5,295	\$6,095
RGTNB484GV2	4 Burners w/ 24" Griddle	\$5,795	\$6,665
RGTNB484CBV2	4 Burners w/ 24" Char. Br.	\$5,795	\$6,665
RGTNB484GCBV2	4 Burners w/ 12" Griddle & Char. Br.	\$5,895	\$6,775
RGTNB484FTBV2	4 Burners w/ 24" French Top	\$6,395	\$7,335
BACKGUARD OPTIONS:			
All BlueStar freestanding or slide in appliances must be installed with a UL approved backguard. A backguard option must be specified at the time of order. Unless otherwise specified, an Island Trim backguard will be entered at no charge.			
IT48BSP	Island Trim Backguard (Included)	\$595	\$685
BG648BSP	6" Backguard	\$645	\$745
BG4817BSP	17" Backguard	\$1,350	\$1,550
SDHS48BSP	24" High Shelf	\$1,450	\$1,665
KNOB OPTIONS: (Refer to page 33 for additional knob options)			
STD BLK – KNOB	Black Knob <i>(Can be substituted for brushed stainless knobs at no charge if included on order)</i>	N/C	N/C
PAINT-STD RAL KNOB	Standard 190 RAL Colors Knob (Installed)	\$80 ea.	\$95 ea.
PAINT-STD RAL KNOB N-I	Std 190 RAL Color Knob (Purchased separately)	\$100 ea.	\$115 ea.
TRIM OPTIONS: (Includes plated bezels and logo)			
PLATED-CKTP48	Antique, Brushed and Polished Brass, Antique, Brushed and Polished Copper, Chrome, Oil Rubbed Bronze & Pewter	\$865	\$995
ADDITIONAL CUSTOMIZATION & ACCESSORY OPTIONS: (Refer to page 33 for additional options)			

FEATURES:

- 22,000 BTU UltraNova™ burners & 15,000 BTU Nova™ burners
- Precise 130° simmer burner
- Available with all burners or add integrated griddle, charbroiler or French top
- Integrated wok cooking
- Handcrafted in Pennsylvania since 1880

PRODUCT SPECIFICATIONS:

- Unit Dimensions: 47.875"W x 24"D x 8.625"H
- Electrical Requirements: 120V, 60Hz, 15 AMPS, 1PH
- Gas Pressure: NAT: 5.0" WC, LP 10.0" WC
- Gas Line Size: 3/4"
- Unit Weight: 295 lbs.

RANGETOPS

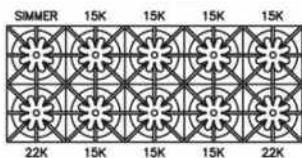
60" NOVA (RNB) SERIES



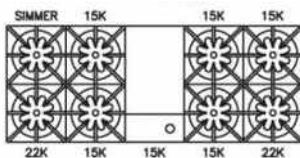
Model Shown: RGTNB606FTV2

Model	Description	UMRP	MSRP
RGTNB6010BV2	10 Burners	\$8,295	\$9,545
RGTNB608GV2	8 Burners w/ 12" Griddle	\$7,995	\$9,195
RGTNB608CBV2	8 Burners w/ 12" Char. Br.	\$7,995	\$9,195
RGTNB606GV2	6 Burners w/ 24" Griddle	\$8,295	\$9,545
RGTNB606CBV2	6 Burners w/ 24" Char. Br.	\$8,295	\$9,545
RGTNB606GCBV2	6 Burners w/ 12" Griddle & Char. Br.	\$8,595	\$9,885
RGTNB606FTV2	6 Burners w/ 24" French Top	\$8,795	\$10,115
BACKGUARD OPTIONS:			
All BlueStar freestanding or slide in appliances must be installed with a UL approved backguard. A backguard option must be specified at the time of order. Unless otherwise specified, an Island Trim backguard will be entered at no charge.			
IT60BSP	Island Trim Backguard (Included)	\$750	\$865
BG660BSP	6" Backguard	\$950	\$1,100
BG6017BSP	17" Backguard	\$1,550	\$1,785
SDHS60BSP	24" High Shelf	\$1,795	\$2,065
KNOB OPTIONS: (Refer to page 33 for additional knob options)			
STD BLK – KNOB	Black Knob <i>(Can be substituted for brushed stainless knobs at no charge if included on order)</i>	N/C	N/C
PAINT-STD RAL KNOB	Standard 190 RAL Colors Knob (Installed)	\$80 ea.	\$95 ea.
PAINT-STD RAL KNOB N-I	Std 190 RAL Color Knob (Purchased separately)	\$100 ea.	\$115 ea.
TRIM OPTIONS: (Includes plated bezels and logo)			
PLATED-CKTP60	Antique, Brushed and Polished Brass, Antique, Brushed and Polished Copper, Chrome, Oil Rubbed Bronze & Pewter	\$1,080	\$1,245
ADDITIONAL CUSTOMIZATION & ACCESSORY OPTIONS: (Refer to page 33 for additional options)			

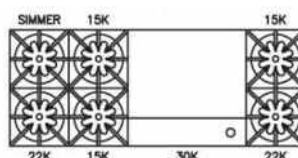
RGTNB6010V2



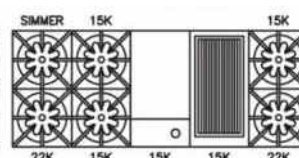
RGTNB608GV2



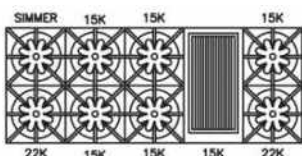
RGTNB606GV2



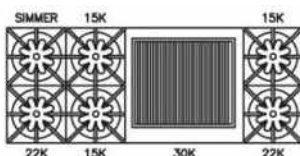
RGTNB606GCBV2



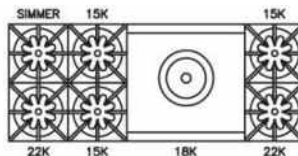
RGTNB608CBV2



RGTNB606CBV2



RGTNB606FTV2



FEATURES:

- 22,000 BTU UltraNova™ burners & 15,000 BTU Nova™ burners
- Precise 130° simmer burner
- Available with all burners or add integrated griddle, charbroiler or French top
- Integrated wok cooking
- Handcrafted in Pennsylvania since 1880

PRODUCT SPECIFICATIONS:

- Unit Dimensions: 59.875"W x 24"D x 8.625"H
- Electrical Requirements: 120V, 60Hz, 15 AMPS, 1PH
- Gas Pressure: NAT: 5.0" WC, LP 10.0" WC
- Gas Line Size: 3/4"
- Unit Weight: 330 lbs.

COOKTOPS RBCT SERIES

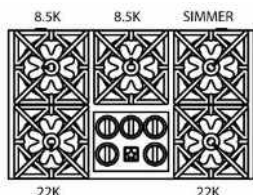
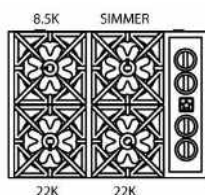


Model Shown: RBCT365BV2

Model	Description	UMRP	MSRP
RBCT304BSSV2	4 Burners	\$1,995	\$2,295
RBCT365BSSV2	5 Burners	\$2,595	\$2,985
Stainless knobs are standard. Painted knob prices will apply for any other knob selected. Drop-in cooktops do not require a backguard. A wok ring is included with all RBCT units. Burners cannot be moved or upgraded.			
KNOB OPTIONS: (Refer to page 33 for additional knob options)			
PAINT-STD RAL KNOB	Standard 190 RAL Colors Knob (Installed)	\$80 ea.	\$95 ea.
TRIM OPTIONS: (Includes plated bezels)			
PLATED-CKTP24-30	Antique, Brushed and Polished Brass, Antique, Brushed and Polished Copper, Chrome, Oil Rubbed Bronze & Pewter	\$450	\$515
PLATED-CKTP36		\$650	\$745
ADDITIONAL CUSTOMIZATION & ACCESSORY OPTIONS:			
See page 33: Knob color options, Configuration changes, Plated trim options & Accessories			

RBCT304V2

RBCT365V2



FEATURES:

- 22,000 BTU UltraNova™ burners & 15,000 BTU Nova™ burners
- Precise 130° simmer burner
- Full motion grates
- Stainless steel knobs and available customization
- Enhanced compatibility with BlueStar Electric Wall Oven

PRODUCT SPECIFICATIONS:

- 30" Unit Dimensions: 30"W x 22"D x 5"H
- 36" Unit Dimensions: 36"W x 22"D x 5"H
- Electrical Requirements: 120V, 60Hz, 15 AMPS, 1PH
- Gas Pressure: NAT: 5.0" WC, LP 10.0" WC
- Gas Line Size: ½"
- 30" Unit Weight: 160 lbs.
- 36" Unit Weight: 175 lbs.

COOKTOPS

36" INDUCTION COOKTOP



Model Shown: BSP36INDCKT

Model	Description	UMRP	MSRP
BSP36INDCKT	36" Induction Cooktop	\$2,995	\$3,445
KNOB KNOB OPTIONS: (Refer to page 33 for additional knob options):			
PAINT-STD RAL KNOB	Standard 190 RAL Colors Knob (Installed)	\$80 ea.	\$95 ea.
TRIM OPTIONS: (Includes plated bezels)			
PLATED – CKTP36	Antique, Brushed and Polished Brass, Antique, Brushed and Polished Copper, Chrome, Oil Rubbed Bronze & Pewter	\$650	\$745
ACCESSORIES			
701120	Cast Iron Dual Zone Griddle	\$200	\$230

FEATURES:

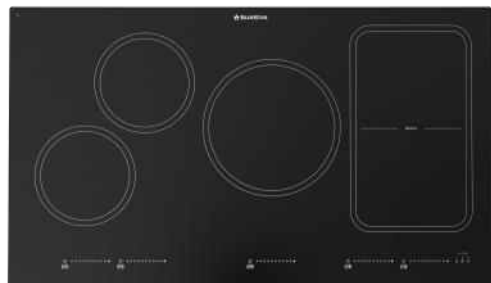
- Features a searing 5,500 Watt burner
- Rapid "Heat Accelerator" technology for no-wait cooking, heats 50% faster than gas
- Exceptional temperature control with 12 cooking settings
- Maximum cooking surface fits up to 5 pots or pans
- Seamless 2-burner bridging technology, perfect for grilling or searing with the Cast Iron Dual Zone Griddle (Sold separately)
- Gentle simmer capabilities, down to 200 degrees
- Perfect "Keep Warm" (150 degrees) feature for entertaining ease
- Intuitive design with sleek push-to-turn knobs and easy-to-clean, scratch resistant, non-staining glass top
- Crisp natural white indicator lighting
- Safety knob lock feature & no-touch hot surface indicator light
- Customize with 190 color knobs and 10 metal finishes

PRODUCT SPECIFICATIONS:

- Unit Dims: 31 1/16"W x 21 1/8"D x 3 7/8"H
- 31/64th from counter to top of glass
- Electrical: 230V, 50 amp, 50/60Hz
- Connection: 2 Phases
- Diameter: 3 x 10 AWG (Provided)

COOKTOPS

36" INDUCTION COOKTOP TOUCH CONTROL



Model Shown: BS36INDTOUCH

Model	Description	UMRP	MSRP
BS36INDTouch	36" Induction Cooktop Touch Control	\$2,995	\$3,445
ACCESSORIES			
701120	Cast Iron Dual Zone Griddle	\$200	\$230

FEATURES:

- Features a searing 5,500 Watt burner
- Rapid "Heat Accelerator" technology for no-wait cooking, heats 50% faster than gas
- Exceptional temperature control with 12 cooking settings
- Maximum cooking surface fits up to 5 pots or pans
- Seamless 2-burner bridging technology, perfect for grilling or searing with the Cast Iron Dual Zone Griddle (Sold separately)
- Gentle simmer capabilities, down to 200 degrees
- Perfect "Keep Warm" (150 degrees) feature for entertaining ease
- Easy-to-clean, scratch resistant, non-staining glass top
- Crisp natural white indicator lighting

PRODUCT SPECIFICATIONS:

- Unit Dims: 36"W x 21"D x 5/32"H
- Electrical: 230V, 50 amp, 50/60Hz
- Connection: 2 Phases
- Diameter: 3 x 10 AWG (Provided)
- Cut-out: 34.5"W x 19.25"D

RANGETOPS & COOKTOPS CUSTOMIZATION & ACCESSORY OPTIONS

COLOR OPTIONS: <i>Must specify color on order</i>			
Model	Description	UMRP	MSRP
PAINT-STD RAL KNOB	Standard RAL: Knob – Factory installed (Excludes Pearl, Luminous & Aluminum RAL's)	\$80 ea.	\$95 ea.
PAINT-PM KNOB	Precious Metal: Knob – Factory installed (Ginger Spice – N/A)	\$125 ea.	\$145 ea.
PAINT-MATTE KNOB	Matte Collection: Knob – Factory installed	\$125 ea.	\$145 ea.
PAINT-CC KNOB	Custom Color: Knob – Factory installed (Must order a 24" – 60" custom color appliance)	\$135 ea.	\$155 ea.
CONFIGURATION CHANGES:			
ADD BURNER	Add (1) Star burner – RNB/RGTNB (22K, 15K, Simm), BSP (25K, 22K, 18K, 15K, Simm)	\$395	\$455
MOVE BURNER	Swap (2) Star burners – RNB/RGTNB/BSP	\$595	\$685
PLATED TRIM OPTIONS:			
Trim Options: Brass, Copper, Chrome, Ant. Brass, Brushed Brass, Ant. Copper, Brushed Copper, Oil Rubbed Bronze & Pewter			
Model	Description	UMRP	MSRP
PLATED – CKTP24-30	Precious Metals, Rangetop & Cooktop: 24" & 30"	\$450	\$515
PLATED – CKTP36	Precious Metals, Rangetop & Cooktop: 36"	\$650	\$745
PLATED – CKTP48	Rangetop: 48" (Bezels only)	\$865	\$995
PLATED – CKTP60	Rangetop: 60" (Bezels only)	\$1,080	\$1,245
PLATED – KNOB	Plated Knob	\$165 ea.	\$195 ea.
PLATED – BEZEL	Plated Bezel	\$110 ea.	\$130 ea.
ACCESSORIES:			
SS-KNOB	Brushed Stainless Knob	\$75 ea.	\$85 ea.
SS-BEZEL	Brushed Stainless Bezel	\$40 ea.	\$45 ea.
STD BLK – KNOB	Standard Black RNB Knob (Rangetops only)	\$45 ea.	\$50 ea.
PAINT STD RAL KNOB N-I	Standard 190 RAL Colors Painted Knob (Purchased separately)	\$100 ea.	\$115 ea.
BSPICBG12	Platinum Interchangeable Charbroiler Griddle (Serial number is required to place an after sale order)	\$850	\$975
138901	Wok Ring	\$115	\$135
701120	Dual Zone Cast Iron Griddle (Available for Induction Cooktop only)	\$200	\$230



WALL OVENS

Get the Look: 30" Double Electric Wall Oven with French and Drop Down Door

WALL OVENS 24" GAS WALL OVEN



Model Shown: BWO24AGS (Left Hinge)

FEATURES:

- Powerful 25,000 BTU burner with 3,000 BTU heat assist for quick start-ups and additional power
- Extra-large oven with True European Convection and 1850° Infrared Broiler that accommodates a half size 18" x 13" commercial baking sheet
- Features swing door design from either left or right side
- 24" depth for compatibility with standard kitchen cabinetry
- Available as single ovens or two single ovens double stacked
- Handcrafted in Pennsylvania since 1880

Model	Description	UMRP	MSRP
BWO24AGS	24" Single Gas Wall Oven	\$3,295	\$3,785
BWOSTK-24	Stacking Kit for 24" Ovens	N/C	N/C
When ordering two wall ovens for the same installation, a stacking kit must be specified on the purchase order. Standard hinge placement is left. Right hinge available at no charge.			
COLOR OPTIONS:			
PAINT-STD RAL 24-36	Standard 190 RAL Colors	\$650	\$745
PAINT-PM 24-36	Precious Metals Colors (Includes Matte Black & Infused Copper)	\$1,250	\$1,445
KNOB OPTIONS: (Refer to page 39 for additional knob options)			
STD BLK – KNOB	Black Knob <i>(Can be substituted for brushed stainless knobs at no charge if included on order)</i>	N/C	N/C
PAINT-STD RAL KNOB	Standard 190 RAL Colors Knob (Installed)	\$80 ea.	\$95 ea.
TRIM OPTIONS: (Includes plated bezels, door handle, handle ends and logo)			
PLATED-BWO/EWO24	Antique, Brushed and Polished Brass, Antique, Brushed and Polished Copper, Chrome, Oil Rubbed Bronze & Pewter	\$650	\$745
ADDITIONAL CUSTOMIZATION & ACCESSORY OPTIONS: (Refer to page 39 for additional options)			

PRODUCT SPECIFICATIONS:

- Unit Dimensions: 24"W x 23"D x 32.75"H
- Gas Pressure: NAT: 5.0" WC, LP 10.0" WC
- Gas Line Size: ½"
- Unit Weight: 295 lbs.

WALL OVENS 30" GAS WALL OVEN



FEATURES:

- Powerful 25,000 BTU burner with 3,000 BTU heat assist for quick start-ups and additional power
- Extra-large oven with True European Convection and 1850° Infrared Broiler that accommodates a full size 18" x 26" commercial baking sheet
- 24" depth for compatibility with standard kitchen cabinetry
- Available as single ovens or two single ovens double stacked
- Handcrafted in Pennsylvania since 1880

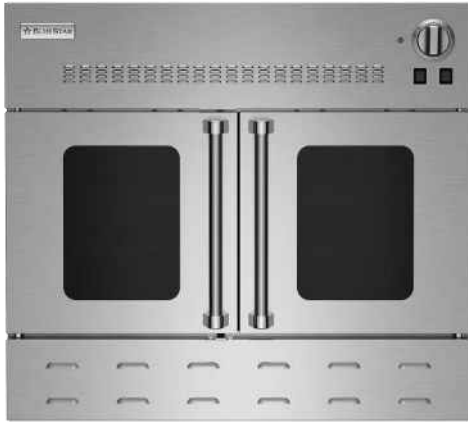
Model	Description	UMRP	MSRP
BWO30AGS	30" Single Gas Wall Oven	\$4,495	\$5,165
BWOSTK-30	Stacking Kit for 30" Ovens	N/C	N/C
When ordering two wall ovens for the same installation, a stacking kit must be specified on the purchase order.			
COLOR OPTIONS:			
PAINT-STD RAL 24-36	Standard 190 RAL Colors	\$650	\$745
PAINT-PM 24-36	Precious Metals Colors (Includes Matte Black & Infused Copper)	\$1,250	\$1,445
KNOB OPTIONS: (Refer to page 39 for additional knob options)			
STD BLK – KNOB	Black Knob <i>(Can be substituted for brushed stainless knobs at no charge if included on order)</i>	N/C	N/C
PAINT-STD RAL KNOB	Standard 190 RAL Colors Knob (Installed)	\$80 ea.	\$95 ea.
TRIM OPTIONS: (Includes plated bezels, door handle, handle ends and logo)			
PLATED-BWO/EWO30-36	Antique, Brushed and Polished Brass, Antique, Brushed and Polished Copper, Chrome, Oil Rubbed Bronze & Pewter	\$1,050	\$1,200
ADDITIONAL CUSTOMIZATION & ACCESSORY OPTIONS: (Refer to page 39 for additional options)			

PRODUCT SPECIFICATIONS:

- Unit Dimensions: 30"W x 26"D x 32.75"H
- Gas Pressure: NAT: 5.0" WC, LP 10.0" WC
- Gas Line Size: ½"
- Unit Weight: 305 lbs.

WALL OVENS

36" GAS WALL OVEN



Model Shown: BWO36AGS

Model	Description	UMRP	MSRP
BWO36AGS	36" Single Gas Wall Oven	\$5,495	\$6,315
BWOSTK-36	Stacking Kit for 36" Ovens	N/C	N/C
When ordering two wall ovens for the same installation, a stacking kit must be specified on the purchase order.			
COLOR OPTIONS:			
PAINT-STD RAL 24-36	Standard 190 RAL Colors	\$650	\$745
PAINT-PM 24-36	Precious Metals Colors (Includes Matte Black & Infused Copper)	\$1,250	\$1,445
KNOB OPTIONS: (Refer to page 39 for additional knob options)			
STD BLK – KNOB	Black Knob <i>(Can be substituted for brushed stainless knobs at no charge if included on order)</i>	N/C	N/C
PAINT-STD RAL KNOB	Standard 190 RAL Colors Knob (Installed)	\$80 ea.	\$95 ea.
TRIM OPTIONS: (Includes plated bezels, door handle, handle ends and logo)			
PLATED-BWO/EWO30-36	Antique, Brushed and Polished Brass, Antique, Brushed and Polished Copper, Chrome, Oil Rubbed Bronze & Pewter	\$1,050	\$1,200
ADDITIONAL CUSTOMIZATION & ACCESSORY OPTIONS:			
See page 39: Color options, Plated trim options and Accessories			

FEATURES:

- Powerful 25,000 BTU burner with 3,000 BTU heat assist for quick start-ups and additional power
- Extra-large oven with True European Convection and 1850° Infrared Broiler that accommodates a full size 18" x 26" commercial baking sheet
- 24" depth for compatibility with standard kitchen cabinetry
- Available as single ovens or two single ovens double stacked
- Handcrafted in Pennsylvania since 1880

PRODUCT SPECIFICATIONS:

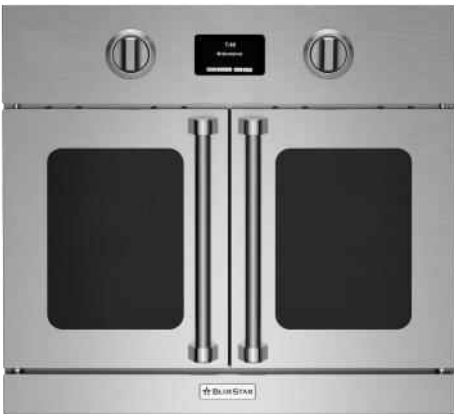
- Unit Dimensions: 36"W x 23"D x 32.75"H
- Gas Pressure: NAT: 5.0" WC, LP 10.0" WC
- Gas Line Size: ½"
- Unit Weight: 400 lbs.

WALL OVENS

30" ELECTRIC WALL OVENS



Model Shown: BSEWO30ECDD



Model Shown: BSEWO30ECSD

Model	Description	UMRP	MSRP
BSEWO30ECDDV2	30" EWO Drop Down Door	\$4,695	\$5,395
BSEWO30ECSDV2	30" EWO French Door	\$5,295	\$6,095
EWOSTK-30	30" EWO Stacking Kit	N/C	N/C
Stainless knobs are standard. Painted knob prices will apply for any other knob selected. Requires (2) knobs when ordering any painted or plated knob option. The bake stone will be boxed separate and shipped on top of the wall oven box. The bake stone is not compatible with other BlueStar models and is not available for purchase.			
COLOR OPTIONS:			
PAINT-STD RAL 24-36	Standard 190 RAL Colors	\$650	\$745
PAINT-PM 24-36	Precious Metals Colors (Includes Matte Black & Infused Copper)	\$1,250	\$1,445
KNOB OPTIONS: (Refer to page 39 for additional knob options)			
PAINT-STD RAL KNOB	Standard 190 RAL Colors Knob (Installed)	\$80 ea.	\$95 ea.
TRIM OPTIONS: (Includes plated bezels, door handle, handle ends and logo)			
PLATED-BWO/EWO30-36	Antique, Brushed and Polished Brass, Antique, Brushed and Polished Copper, Chrome, Oil Rubbed Bronze & Pewter	\$1,050	\$1,200
ADDITIONAL CUSTOMIZATION & ACCESSORY OPTIONS:			
See page 39: Color options, Plated trim options and Accessories			

FEATURES:

- Powerful 2,500 watt bake element plus 1,800 watt heat assist for faster preheat
- Commercial-grade intense 5,000 watt Infrared broiler for restaurant-quality results
- Built-in artisan baking stone with precise temperature control
- Extra-large oven with True European Convection
- Intuitive touch screen control panel with 12 cooking modes, including Bake, Convection Bake, Roast, Convection Roast, Broil, StoneBake™, Proof and Sabbath
- Precision temperature probe that provides perfect temperature control
- Accommodates a full-size 18" x 26" baking sheet
- Eco-friendly Continu Clean™ feature continuously cleans the oven cavity
- Available in 750+ colors and finishes, plus multiple door options
- Handcrafted in Pennsylvania since 1880

PRODUCT SPECIFICATIONS:

- Unit Dimensions: 30"W x 25.875"D x 27.5"H
- Elec. Requirements: 240V, 60Hz, 24 AMPs, 1 PH
- Unit Weight: 345 lbs.

WALL OVENS

30" DOUBLE ELECTRIC WALL OVENS



Model Shown: BSDEWO30ECSDDDV2

Model	Description	UMRP	MSRP
BSDEWO30ECSDDDV2	30" Double Electric Wall Oven with French Door & Drop Down Door	\$7,995	\$9,195
BSDEWO30ECDDDDV2	30" Double Electric Wall Oven with Drop Down Doors	\$7,495	\$8,615
COLOR OPTIONS:			
PAINT-STD-RAL DEWO	Standard 190 RAL Colors	\$750	\$865
PAINT-PM DEWO	Precious Metals Colors (Includes Matte Black & Infused Copper)	\$1,350	\$1,555
KNOB OPTIONS: (Refer to page 39 for additional knob options)			
PAINT-STD RAL KNOB	Standard 190 RAL Colors Knob (Installed)	\$80 ea.	\$95 ea.
TRIM OPTIONS: (Includes plated bezels, door handle, handle ends and logo)			
PLATED DEWO – SDDD	Antique, Brushed and Polished Brass, Antique, Brushed and Polished Copper, Chrome, Oil Rubbed Bronze & Pewter	\$1,500	\$1,725
PLATED DEWO – DDDD		\$1,500	\$1,725
ADDITIONAL CUSTOMIZATION & ACCESSORY OPTIONS:			
See page 39: Color options, Plated trim options and Accessories			

DOUBLE ELECTRIC WALL OVEN FEATURES:

- Extra-large oven with True European Convection
- Accommodates a full-size 18" x 26" baking sheet
- Eco-friendly Continu Clean™ feature continuously cleans the oven cavity
- Available in 750+ colors and finishes, plus multiple door options
- Handcrafted in Pennsylvania since 1880

TOP OVEN FEATURES:

- Powerful 2,500 watt bake element plus 1,800 watt heat assist for faster preheat
- Commercial-grade intense 5,000 watt Infrared broiler for restaurant-quality results
- Built-in artisan baking stone with precise temperature control
- Intuitive touch screen control panel with 12 cooking modes, including Bake, Convection Bake, Roast, Convection Roast, Broil, StoneBake™, Proof and Sabbath
- Precision temperature probe that provides perfect temperature control

BOTTOM OVEN FEATURES:

- Powerful 2,500 watt bake element plus 1,800 watt heat assist for faster preheat
- 2,500 watt infrared broiler element
- Intuitive touch screen control panel with 10 cooking modes, including Bake, Convection Bake, Broil, Proof and Sabbath

PRODUCT SPECIFICATIONS:

- Unit Dimensions: 30"W x 25.875"D x 55"H
- Elec. Requirements: 240V, 60Hz, 24 AMPs, 1 PH
- Unit Weight: 690 lbs.



Model Shown: BSDEWO30ECDDDDV2

WALL OVENS CUSTOMIZATION & ACCESSORY OPTIONS

COLOR OPTIONS: <i>Must specify color on order</i>			
Model	Description	UMRP	MSRP
PAINT-STD RAL 24-36	Standard RAL: 24", 30", 36" - RNB/BSP/BWO/EWO (Excludes Pearl, Luminous & Aluminum RAL's)	\$650	\$745
PAINT-STD RAL DEWO	Standard RAL: DEWO Models	\$750	\$865
PAINT-STD RAL KNOB	Standard RAL: Knob – Factory installed (Excludes Pearl, Luminous & Aluminum RAL's)	\$80 ea.	\$95 ea.
PAINT-TXT RAL 24-36	Textured Standard RAL: 24", 30", 36" - RNB/BSP/BWO/EWO (Excludes Pearl, Luminous & Aluminum RAL's)	\$1,050	\$1,195
PAINT-TXT RAL DEWO	Textured Standard RAL on DEWO Models	\$1,150	\$1,345
PAINT-PM 24-36	Precious Metal: 24", 30" & 36" – RNB/BSP/BWO/EWO	\$1,250	\$1,445
PAINT-PM DEWO	Precious Metal: DEWO Models	\$1,350	\$1,555
PAINT-PM KNOB	Precious Metal: Knob – Factory installed (Ginger Spice – N/A)	\$125 ea.	\$145 ea.
PAINT-MATTE 24-36	Matte Collection: 24", 30" & 36" – RNB/BSP/BWO/EWO	\$1,250	\$1,445
PAINT – MATTE DEWO	Matte Collection: DEWO Models	\$1,350	\$1,555
PAINT-MATTE KNOB	Matte Collection: Knob – Factory installed	\$125 ea.	\$145 ea.
PAINT-CC 24-36	Custom Color: 24", 30", 36" – RNB/BSP/BWO/EWO	\$2,150	\$2,475
PAINT-CC DEWO	Custom Color: DEWO Models	\$2,300	\$2,645
PAINT-CC KNOB	Custom Color: Knob – Factory installed (Must order a 24" – 60" custom color appliance)	\$135 ea.	\$155
PLATED TRIM OPTIONS: (Includes plated bezels, door handle and handle ends)			
Trim Options: Brass, Copper, Chrome, Ant. Brass, Brushed Brass, Ant. Copper, Brushed Copper, Oil Rubbed Bronze & Pewter			
PLATED-BWO/EWO24	Wall Oven: 24"	\$650	\$745
PLATED-BWO/EWO30-36	Wall Oven: 30" & 36"	\$1,050	\$1,200
PLATED – KNOB	Knob Plated	\$165 ea.	\$195 ea.
PLATED – BEZEL	Plated Bezel	\$110 ea.	\$130 ea.
PLATED DEWO – SDDD	Wall Oven: Double Electric Wall Oven Swing Door/Drop Down Door	\$1,500	\$1,725
PLATED DEWO – DDDD	Wall Oven: Double Electric Wall Oven Double Drop Down Door	\$1,500	\$1,725
ACCESSORIES:			
SS-KNOB	Brushed Stainless Knob	\$75 ea.	\$85 ea.
SS-BEZEL	Brushed Stainless Bezel	\$40 ea.	\$45 ea.
STD BLK – KNOB	Standard Black RNB Knob	\$45 ea.	\$50 ea.
PAINT STD RAL KNOB N-I	Standard 190 RAL Colors Painted Knob (Purchased separately)	\$100 ea.	\$115 ea.
EXTNRACK-24	Full Extension Rack – 24"	\$375	\$435
EXTNRACK-30	Full Extension Rack – 30"	\$400	\$460
EXTNRACK-36	Full Extension Rack – 36"	\$425	\$485
704406	Standard Oven Rack – 24"	\$75	\$85
704405	Standard Oven Rack – 30"	\$100	\$115
704402	Standard Oven Rack – 36"	\$115	\$130



BROILERS

Get the Look: 24" Salamander Broiler

BROILERS SALAMANDER



Model Shown: PRZSAL24V2

FEATURES:

- Heavy duty, commercial stainless steel construction
- Two independently controlled 11,000 BTU infrared ceramic burners
- 215 square inches of cooking space
- Large removable heavy-duty grilling rack
- Automatic electronic ignition and re-ignition system

Model	Description	UMRP	MSRP
PRZSAL24V2	24" Salamander	\$3,895	\$4,485
BlueStar Salamanders require wall mount brackets for installation above a cooking surface, mounting hardware is not included. The Salamander Wall Mount is not compatible with a High Shelf Backguard (SDHSxxxx). All Salamanders have stainless steel knobs.			
BACKGUARD OPTIONS: (Does include Salamander Broiler)			
PRZSALWM	24" Wall Mount w/o shelf	\$995	\$1,145
PRZSAL36WM	36" Wall Mount w/ shelf	\$1,995	\$2,295
PRZSAL48WM	48" Wall Mount w/ shelf	\$2,695	\$3,095
PRZSAL60WM	60" Wall Mount w/ shelf	\$2,995	\$3,445
KNOB OPTIONS: (Refer to page 42 for additional knob options)			
PAINT-STD RAL KNOB	Standard 190 RAL Colors Knob (Installed)	\$80 ea.	\$95 ea.
TRIM OPTIONS: (Includes plated bezels)			
PLATED-SAL	Antique, Brushed and Polished Brass, Antique, Brushed and Polished Copper, Chrome, Oil Rubbed Bronze & Pewter	\$650	\$745
ADDITIONAL CUSTOMIZATION & ACCESSORY OPTIONS:			
See page 42			

BROILERS 30" INDOOR CHARBROILER



Model Shown: PRZIDCB30V2

FEATURES:

- Heavy-duty, commercial stainless steel construction
- Stainless steel commercial U-burners
- Push-to-turn, burner controls
- Two, powerful 15,000 BTU burners on 30" model
- Adjustable grate positioning for variable temperature cooking
- Cast iron, easy clean grates
- Removable drip trays with steel roller bearings

Model	Description	UMRP	MSRP
PRZIDCB30V2	30" Indoor Char. Br.	\$3,995	\$4,595
PRZ-30-COV	30" IDCB Cover	\$295	\$345
BACKGUARD OPTIONS:			
IT30BSP (Included)	Island Trim Backguard (Standard)	\$350	\$400
BG630BSP	6" Backguard	\$375	\$435
BG3017BSP	17" Backguard	\$695	\$800
SDHS30BSP	24" High Shelf	\$915	\$1,050
KNOB OPTIONS: (Refer to page 42 for additional knob options)			
PAINT-STD RAL KNOB	Standard 190 RAL Colors Knob (Installed)	\$80 ea.	\$95 ea.
TRIM OPTIONS: (Includes plated bezels)			
PLATED-CKTP24-30	Antique, Brushed and Polished Brass, Antique, Brushed and Polished Copper, Chrome, Oil Rubbed Bronze & Pewter	\$450	\$515
ADDITIONAL CUSTOMIZATION & ACCESSORY OPTIONS:			
See page 42			

BROILERS

CUSTOMIZATION & ACCESSORY OPTIONS

COLOR OPTIONS: <i>Must specify color on order</i>			
Model	Description	UMRP	MSRP
PAINT-STD RAL KNOB	Standard RAL: Knob – Factory installed (Excludes Pearl, Luminous & Aluminum RAL's)	\$80 ea.	\$95 ea.
PAINT-PM KNOB	Precious Metal: Knob – Factory installed (Ginger Spice – N/A)	\$125 ea.	\$145 ea.
PAINT-MATTE KNOB	Matte Collection: Knob – Factory installed	\$125 ea.	\$145 ea.
PAINT-CC KNOB	Custom Color: Knob – Factory installed (Must order a 24" – 60" custom color appliance)	\$135 ea.	\$155 ea.
PLATED TRIM OPTIONS:			
Trim Options: Brass, Copper, Chrome, Ant. Brass, Brushed Brass, Ant. Copper, Brushed Copper, Oil Rubbed Bronze & Pewter			
Model	Description	UMRP	MSRP
PLATED – CKTP24-30	Precious Metals, Rangetop & Cooktop: 24" & 30"	\$450	\$515
PLATED-SAL	Salamander Broiler	\$650	\$745
PLATED – KNOB	Plated Knob	\$165 ea.	\$195 ea.
PLATED – BEZEL	Plated Bezel	\$110 ea.	\$130 ea.
ACCESSORIES:			
SS-KNOB	Brushed Stainless Knob	\$75 ea.	\$85 ea.
SS-BEZEL	Brushed Stainless Bezel	\$40 ea.	\$45 ea.
STD BLK – KNOB	Standard Black RNB Knob	\$45 ea.	\$50 ea.



REFRIGERATION AND DISHWASHER PANEL

Get the Look: 36" Built-In Refrigerator/Freezer with French Door

REFRIGERATION

36" BUILT-IN BOTTOM FREEZER



Model Shown: BBB36SSR2



Model Shown: BBB36SSL2

Model	Description	UMRP	MSRP
BBB36SSR2	36" Built-in Refrigerator – Right Hinge	\$10,850	\$12,475
BBB36SSL2	36" Built-in Refrigerator – Left Hinge	\$10,850	\$12,475
COLOR OPTIONS:			
PAINT REFR-STD RAL	Standard 190 RAL Colors	\$895	\$1,025
PAINTED REFR GRILL	Painted Grill	\$150	\$175
PAINT REFR-TXT RAL	Textured Standard RAL Colors	\$1,250	\$1,445
PAINT REFR-PM	Precious Metals Colors	\$1,250	\$1,445
PAINT REFR-MATTE 36	Matte Collection Colors	\$1,250	\$1,445
PAINT REFR-CC	Custom Colors	\$2,150	\$2,475
TRIM OPTIONS: (Includes plated handles, handle ends and badge logo)			
PLATED-REFR	Antique, Brushed and Polished Brass, Antique, Brushed and Polished Copper, Chrome, Oil Rubbed Bronze & Pewter	\$895	\$1,025
ACCESSORIES:			
799339	Stainless Steel Ice Bin	\$80	\$95
799627	Stainless Steel Ice Scoop	\$20	\$25
799338 – 36 REFR	90 Degree Pin Stops **Must be specified at order**	\$25	\$30
799438	Replacement Water Filter	\$55	\$65
799700	Replacement Air Filter	\$35	\$40
950128	J-Trim Install Bracket (Optional)	N/C	N/C

FEATURES:

- Stainless Steel Interiors
- Dual Compressors
- Oversized Capacity
- Fits Commercial Size Sheet Tray: Refrigerator/Freezer
- Heavy Duty Construction
- Ramp-on LED Lighting
- 750+ Color Options
- Automatic Ice Maker
- Designed and Manufactured in USA
- Iron Clad Warranty: 2 years (full), 5 years (sealed system parts & labor) and 13 years (sealed system parts)
- Unit weight: 730 lbs.

REFRIGERATION

36" BUILT-IN FRENCH DOOR



Model Shown: BBBF36

Model	Description	UMRP	MSRP
BBBF361	36" Built-in Refrigerator – Right Hinge	\$11,450	\$13,165
COLOR OPTIONS:			
PAINT REFR FD -STD RAL	Standard 190 RAL Colors	\$995	\$1,145
PAINTED REFR GRILL	Painted Grill	\$150	\$175
PAINT REFR FD-TXT RAL	Textured Standard RAL Colors	\$1,350	\$1,555
PAINT REFR FD-PM	Precious Metals Colors	\$1,450	\$1,665
PAINT REFR FD – MATTE 36	Matte Collection Colors	\$1,450	\$1,665
PAINT REFR FD-CC	Custom Colors	\$2,150	\$2,475
TRIM OPTIONS: (Includes plated handles, handle ends and badge logo)			
PLATED-REFR FD	Antique, Brushed and Polished Brass, Antique, Brushed and Polished Copper, Chrome, Oil Rubbed Bronze & Pewter	\$1,050	\$1,145
ACCESSORIES:			
799339	Stainless Steel Ice Bin	\$80	\$95
799627	Stainless Steel Ice Scoop	\$20	\$25
799338 – 36 REFR FD	90 Degree Pin Stops **Must be specified at order**	\$45	\$50
799438	Replacement Water Filter	\$55	\$65
799700	Replacement Air Filter	\$35	\$40
950128	J-Trim Install Bracket (Optional)	N/C	N/C

FEATURES:

- Stainless Steel Interiors
- Dual Compressors
- Oversized 22.4 cu. ft. Capacity
- Fits Commercial Size Sheet Tray: Refrigerator/Freezer
- Heavy Duty Construction
- Ramp-on LED Lighting
- 750+ Color Options
- Automatic Ice Maker
- Designed and Manufactured in USA
- Iron Clad Warranty: 2 years (full), 5 years (sealed system parts & labor) and 13 years (sealed system parts)
- Unit weight: 730 lbs.

REFRIGERATION

36" FREESTANDING FRENCH DOOR



Model Shown: FBFD360

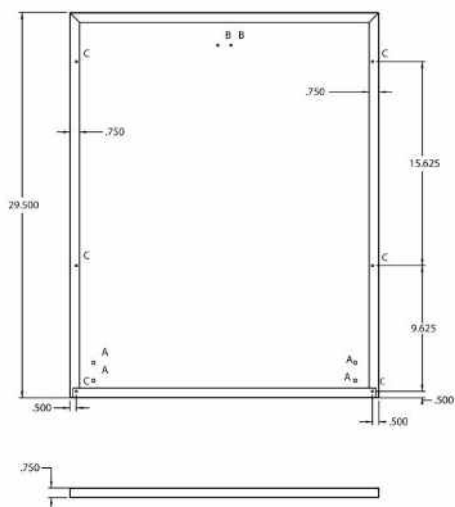
Model	Description	UMRP	MSRP
FBFD36	36' Freestanding French Door	\$3,295	\$3,785
Available in stainless steel only. No trim or accessory options are available.			

FEATURES:

- Counter depth with 19.9 cu-ft of capacity
- Automatic ice maker
- Internal water dispenser
- Electronic control
- Dual evaporator

DISHWASHER PANEL

24" PANEL



Model	Description	UMRP	MSRP
DWBS24	24" Stainless Steel Dishwasher Panel	\$650	\$745
COLOR OPTIONS:			
PAINT – STD RAL DW	Standard 190 RAL Colors	\$325	\$375
PAINT – TXT RAL DW	Textured Standard RAL Colors	\$425	\$485
PAINT – PM DW	Precious Metals Colors	\$490	\$575
PAINT – MATTE DW	Matte Collection Colors	\$495	\$575
PAINT – CC DW	Custom Colors (Must order a 24" – 60" custom color appliance)	\$700	\$805
TRIM OPTIONS:			
PLATED-24DW	Antique, Brushed and Polished Brass, Antique, Brushed and Polished Copper, Chrome, Oil Rubbed Bronze & Pewter	\$450	\$515

FEATURES:

- Accommodates most major dishwasher brands
- Heavy-duty stainless steel construction
- Available in 750+ colors and finishes
- Plated trim options available

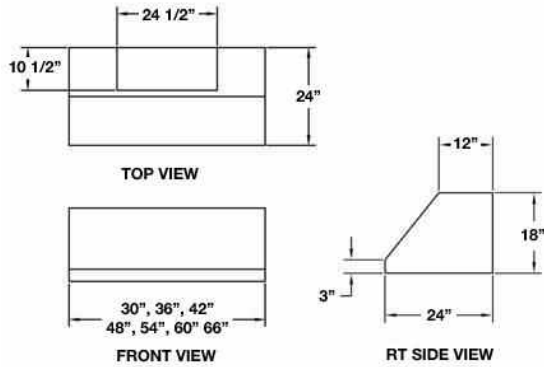


VENTILATION: PROFESSIONAL SERIES

Get the Look: 30" Culinary Series Sealed Burner Range with 30" Pro-line Ventilation Hood

VENTILATION: PROFESSIONAL SERIES

PRO-LINE WALL HOOD



FEATURES:

- Commercial grade stainless steel construction
- Welded seamless corners
- Dishwasher safe stainless steel baffles
- 30" & 36" models: 600 CFM internal fan included (*Must be included on order*)
- 3-speed blower/variable light control
- 12" duct cover available (Sold separately)
- Reversible top or rear exhaust
- Remote and In-line fans available
- Transition or collar required for installation (BS-TR6X15/10RD - Included)
- Duct free recirculating kits available for 30", 36", 42" & 48" models (Sold separately)
- Blower ordered separately

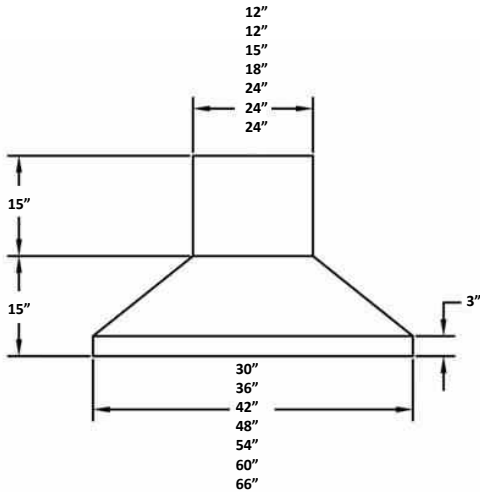
CUSTOMIZATION OPTIONS:

- 750+ Colors & Finishes

Model	Description	UMRP	MSRP
BS-PL24240 TS	24" Pro-line Hood (Includes 600 CFM In-hood Blower)	\$1,845	\$2,120
BS-PL30240 TS	30" Pro-line Hood (Includes 600 CFM In-hood Blower)	\$1,895	\$2,180
BS-PL36240 TS	36" Pro-line Hood (Includes 600 CFM In-hood Blower)	\$1,995	\$2,295
BS-PL42240 TS	42" Pro-line Hood	\$2,095	\$2,410
BS-PL48240 TS	48" Pro-line Hood	\$2,395	\$2,755
BS-PL54240 TS	54" Pro-line Hood	\$2,495	\$2,870
BS-PL60240 TS	60" Pro-line Hood	\$3,195	\$3,675
BS-PL66240 TS	66" Pro-line Hood	\$3,595	\$4,135
COLOR OPTIONS: (Refer to page 84 for additional color options)			
PAINT STD RAL 24-36	Standard 190 RAL Colors	\$650	\$715
PAINT STD RAL 42-66	Standard 190 RAL Colors	\$850	\$975
PAINT PM 24-36	Precious Metals Colors (Includes Matte Black & Infused Copper)	\$1,250	\$1,445
PAINT PM 42-66	Precious Metals Colors (Includes Matte Black & Infused Copper)	\$1,450	\$1,665
AVAILABLE DUCT COVERS: (Compatible with Pro-line Hood Only)			
BS-PLDC3012	30" Duct Cover (12" high)	\$395	\$455
BS-PLDC3612	36" Duct Cover (12" high)	\$415	\$475
BS-PLDC4212	42" Duct Cover (12" high)	\$445	\$510
BS-PLDC4812	48" Duct Cover (12" high)	\$495	\$570
BS-PLDC5412	54" Duct Cover (12" high)	\$515	\$590
BS-PLDC6012	60" Duct Cover (12" high)	\$595	\$685
BS-PLDC6612	66" Duct Cover (12" high)	\$615	\$705
BLOWER OPTIONS AND ADDITIONAL ACCESSORIES: (Refer to page 84)			
DUCT FREE KITS FOR 30" – 48" MODELS (Refer to page 52)			

BLOWER OPTIONS								
	IN-HOOD		IN-LINE		REMOTE		DISCHARGE	
CFM POWER	600	1200	600	1200	1000	1400	TOP	REAR
MODEL #	BS-CFM-600	BS-CFM-1200	PH-INLB600	PH-INLB1200	PH-1000CFMR	PH-1400CFMR		
UMRP	\$695	\$995	\$1,095	\$1,345	\$1,345	\$1,445		
BS-PL24240 TS	•		•	•	•	•	•	•
BS-PL30240 TS	•	•	•	•	•	•	•	•
BS-PL36240 TS	•	•	•	•	•	•	•	•
BS-PL42240 TS	•	•	•	•	•	•	•	•
BS-PL48240 TS	•	•	•	•	•	•	•	•
BS-PL54240 TS	•	•	•	•	•	•	•	•
BS-PL60240 TS	•	•	•	•	•	•	•	•
BS-PL66240 TS	•	•	•	•	•	•	•	•
•	Denotes blower compatible with specific ventilation hood size. Abbaka designated blowers <u>are not compatible</u> with this ventilation hood.							

VENTILATION: PROFESSIONAL SERIES PYRAMID WALL HOOD



FEATURES:

- Commercial grade stainless steel construction
- Welded seamless corners
- Dishwasher safe stainless steel baffles
- 3-speed blower/variable light control
- 30" & 36" models: 600 CFM internal fan included (*Must be included on order*)
- Accommodates top discharge only
- Flue will accommodate most installations up to a 9' ceiling. Review the installation manual for dimensions.
- 10" starter collar required for installation (Included)
- Remote and In-line fans available
- Duct free recirculating kits available for 30", 36", 42" & 48" models (Sold separately)
- Blower ordered separately

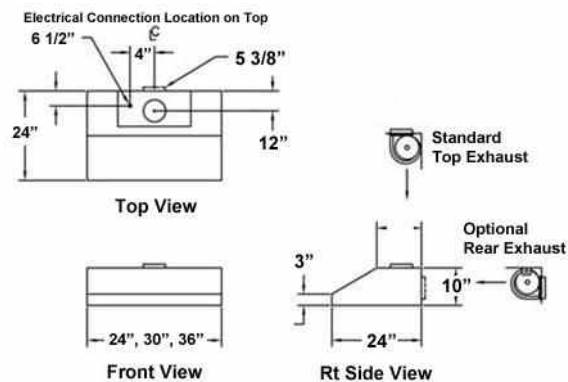
CUSTOMIZATION OPTIONS:

- 750+ Colors & Finishes

Model	Description	UMRP	MSRP
BS-PC30240 TS	30" Pyramid Hood (Includes 600 CFM In-hood Blower)	\$2,495	\$2,870
BS-PC36240 TS	36" Pyramid Hood (Includes 600 CFM In-hood Blower)	\$2,495	\$2,870
BS-PC42240 TS	42" Pyramid Hood	\$2,695	\$3,100
BS-PC48240 TS	48" Pyramid Hood	\$2,995	\$3,445
BS-PC54240 TS	54" Pyramid Hood	\$3,245	\$3,730
BS-PC60240 TS	60" Pyramid Hood	\$3,445	\$3,960
BS-PC66240 TS	66" Pyramid Hood	\$3,695	\$4,250
COLOR OPTIONS: (Refer to page 84 for additional color options)			
PAINT STD RAL 24-36	Standard 190 RAL Colors	\$650	\$715
PAINT STD RAL 42-66	Standard 190 RAL Colors	\$850	\$975
PAINT PM 24-36	Precious Metals Colors (Includes Matte Black & Infused Copper)	\$1,250	\$1,445
PAINT PM 42-66	Precious Metals Colors (Includes Matte Black & Infused Copper)	\$1,450	\$1,665
AVAILABLE DUCT COVERS: (Compatible with Pyramid Hood Only – MUST BE INCLUDED ON ORDER)			
BS-PCTF 9/12	Standard duct for 9' ceiling: 30" model	N/C	N/C
BS-PCTF 9/18	Standard duct for 9' ceiling: 36", 42" & 48" models	N/C	N/C
BS-PCTF 9/24	Standard duct for 9' ceiling: 54", 60" & 66" models	N/C	N/C
Standard telescopic flue will accommodate most installations up to a 9' ceiling. Please review dimensions provided in the installation manual. See below if a taller duct cover is needed.			
BS-PCF95	Telescopic Flue for 9.5' Ceiling (20" – 33" tall)	\$645	\$740
BS-PCF10	Telescopic Flue for 10' Ceiling (26" – 39" tall)	\$695	\$800
BS-PCF105	Telescopic Flue for 10.5' Ceiling (32" – 45" tall)	\$845	\$970
BS-PCF11	Telescopic Flue for 11' Ceiling (38" – 51" tall)	\$995	\$1,145
BS-PCF115	Telescopic Flue for 11.5' Ceiling (44" – 57" tall)	\$1,095	\$1,260
BS-PCF12	Telescopic Flue for 12' Ceiling (53" – 62" tall)	\$1,195	\$1,375
BLOWER OPTIONS AND ADDITIONAL ACCESSORIES: (Refer to page 84)			

BLOWER OPTIONS								
	IN-HOOD		IN-LINE		REMOTE		DISCHARGE	
CFM POWER	600	1200	600	1200	1000	1400	TOP	REAR
MODEL #	See Below	BS-CFM-1200	PH-INLB600	PH-INBL1200	PH-1000CFMR	PH-1400CFMR		
UMRP	\$695	\$995	\$1,095	\$1,345	\$1,345	\$1,445		
BS-PC30240 TS	BS-CFM-600-PC30		•	•	•	•	•	
BS-PC36240 TS	BS-CFM-600	•	•	•	•	•	•	
BS-PC42240 TS	BS-CFM-600	•	•	•	•	•	•	
BS-PC48240 TS	BS-CFM-600	•	•	•	•	•	•	
BS-PC54240 TS	BS-CFM-600	•	•	•	•	•	•	
BS-PC60240 TS	BS-CFM-600	•	•	•	•	•	•	
BS-PC66240 TS	BS-CFM-600	•	•	•	•	•	•	
•	Denotes blower compatible with specific ventilation hood size. Abbaka designated blowers <u>are not compatible</u> with this ventilation hood.							

VENTILATION: PROFESSIONAL SERIES LOW PROFILE WALL HOOD



FEATURES:

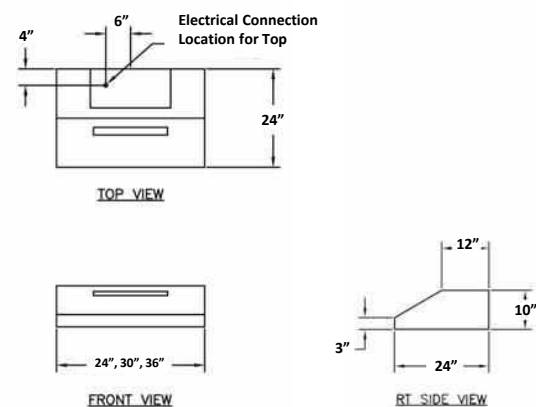
- Commercial grade stainless steel construction
- Welded seamless corners
- 600 CFM internal fan included (Only blower option available for this model)
- Dishwasher safe stainless steel baffle filters
- Variable blower control
- Accommodates top or rear discharge

CUSTOMIZATION OPTIONS:

- 750+ Colors & Finishes

Model	Description	UMRP	MSRP
BS-LPL24240	24" Low Profile Hood w/ 600 CFM Blower	\$1,295	\$1,490
BS-LPL30240	30" Low Profile Hood w/ 600 CFM Blower	\$1,395	\$1,605
BS-LPL36240	36" Low Profile Hood w/ 600 CFM Blower	\$1,495	\$1,720
COLOR OPTIONS: (Refer to page 84 for additional color options)			
PAINT STD RAL 24-36	Standard 190 RAL Colors	\$650	\$715
PAINT PM 24-36	Precious Metals Colors (Includes Matte Black & Infused Copper)	\$1,250	\$1,445
OPTIONAL DUCT FREE KITS: (Sold separately)			
BS-PLDFK30	30" Duct Free Kit	\$545	\$625
BS-PLDFK36	36" Duct Free Kit	\$615	\$705
ADDITIONAL ACCESSORIES: (Refer to page 84)			

VENTILATION: PROFESSIONAL SERIES LOW PROFILE RECIRCULATING WALL HOOD



FEATURES:

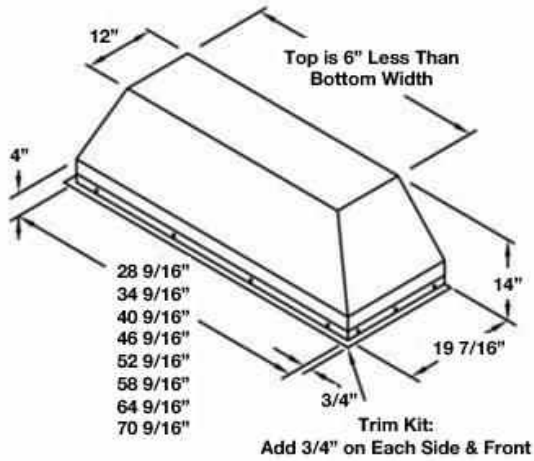
- Commercial grade stainless steel construction
- Welded seamless corners
- Commercial style stainless steel baffle filter system
- 4-speed blower/variable light control
- Accommodates top discharge only
- 520 CFM internal fan included (Only blower option available for this model)
- Halogen lamps with dimmer control

CUSTOMIZATION OPTIONS:

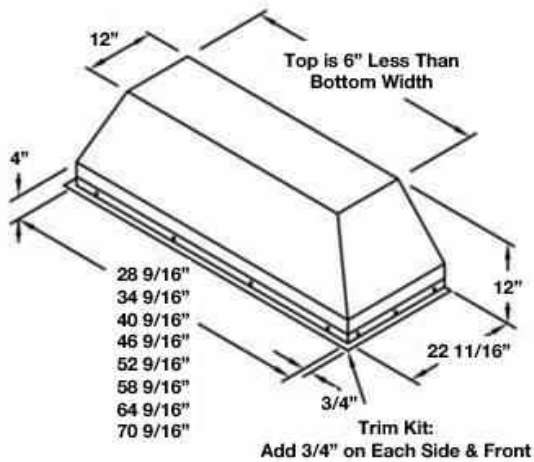
- 750+ Colors & Finishes

Model	Description	UMRP	MSRP
BS-LPLR24240	24" Recirculating Hood w/ 520 CFM Blower	\$1,395	\$1,605
BS-LPLR30240	30" Recirculating Hood w/ 520 CFM Blower	\$1,495	\$1,720
BS-LPLR36240	36" Recirculating Hood w/ 520 CFM Blower	\$1,595	\$1,835
COLOR OPTIONS: (Refer to page 84 for additional color options)			
PAINT STD RAL 24-36	Standard 190 RAL Colors	\$650	\$715
PAINT PM 24-36	Precious Metals Colors (Includes Matte Black & Infused Copper)	\$1,250	\$1,445
ADDITIONAL ACCESSORIES: (Refer to page 84)			

VENTILATION: PROFESSIONAL SERIES MLSS & PMLSS WALL LINERS



Model	Description	UMRP	MSRP
BS-MLSS-28-SS-6	28" Metal Liner w/ 600 CFM Blower	\$1,225	\$1,410
BS-MLSS-34-SS	34" Metal Liner w/ 600 CFM Blower	\$1,225	\$1,410
BS-MLSS-40-SS	40" Metal Liner	\$1,325	\$1,525
BS-MLSS-46-SS	46" Metal Liner	\$1,425	\$1,640
BS-MLSS-52-SS	52" Metal Liner	\$2,145	\$2,465
BS-MLSS-58-SS	58" Metal Liner	\$2,555	\$2,940
BS-MLSS-64-SS	64" Metal Liner	\$2,865	\$3,295
BS-MLSS-70-SS	70" Metal Liner	\$2,995	\$3,445
BLOWER OPTIONS AND ADDITIONAL ACCESSORIES: (Refer to page 84)			



Model	Description	UMRP	MSRP
BS-PMLSS-28-SS-6	28" Pro Metal Liner w/ 600 CFM Blower	\$1,225	\$1,410
BS-PMLSS-34-SS	34" Metal Liner w/ 600 CFM Blower	\$1,225	\$1,410
BS-PMLSS-40-SS	40" Pro Metal Liner	\$1,325	\$1,525
BS-PMLSS-46-SS	46" Pro Metal Liner	\$1,425	\$1,640
BS-PMLSS-52-SS	52" Pro Metal Liner	\$2,145	\$2,465
BS-PMLSS-58-SS	58" Pro Metal Liner	\$2,555	\$2,940
BS-PMLSS-64-SS	64" Pro Metal Liner	\$2,865	\$3,295
BS-PMLSS-70-SS	70" Pro Metal Liner	\$2,995	\$3,445
BLOWER OPTIONS AND ADDITIONAL ACCESSORIES: (Refer to page 84)			

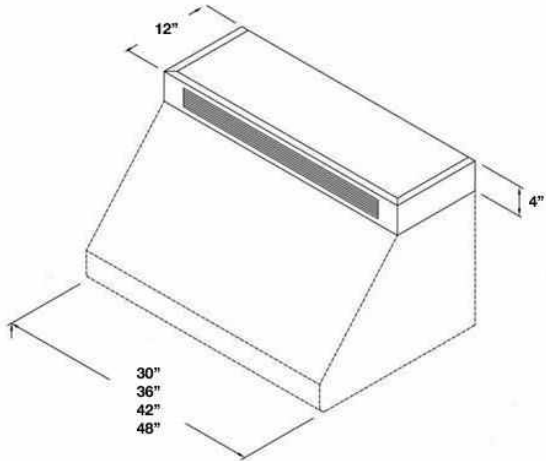
FEATURES : MLSS & PMLSS

- Seamed construction
- Commercial style stainless steel baffle filter system
- 3-speed blower/variable light control
- 28" & 34" models come with 600 CFM internal fan included
(Must be included on order)
- Accommodates top discharge or rear discharge
Must be specified at time of order. Can not be changed during install.
- High heat sensor
- Transition or collar included

BLOWER OPTIONS								
	IN-HOOD		IN-LINE		REMOTE		DISCHARGE	
CFM POWER	600	1200	600	1200	1000	1400	TOP	REAR
MODEL #	PH-CFM-600	PH-CFM-1200	PH-INLB600	PH-INBL1200	PH-1000CFMR	PH-1400CFMR		
UMRP	\$695	\$995	\$1,095	\$1,345	\$1,345	\$1,445		
28" Liners	•		•	•	•	•	•	•
34" Liners	•	•	•	•	•	•	•	•
40" Liners	•	•	•	•	•	•	•	•
46" Liners	•	•	•	•	•	•	•	•
52" Liners	•	•	•	•	•	•	•	•
58" Liners	•	•	•	•	•	•	•	•
64" Liners	•	•	•	•	•	•	•	•
70" Liners	•	•	•	•	•	•	•	•
•	Denotes blower compatible with specific ventilation hood size. Abbaka designated blowers are not compatible with this ventilation hood.							

VENTILATION: PROFESSIONAL SERIES

PRO-LINE RECIRCULATING KITS



Model	Description	UMRP	MSRP
BS-PLDFK30	30" Recirculating Kit	\$545	\$625
BS-PLDFK36	36" Recirculating Kit	\$615	\$705
BS-PLDFK42	42" Recirculating Kit	\$645	\$740
BS-PLDFK48	48" Recirculating Kit	\$845	\$970

FEATURES:

- Seamed construction
- Includes charcoal filter
- Stainless steel finish
- Use only with 600 CFM In-hood fan – *Sold separately*
- Compatible with Pro-line and Low Profile style hoods only



VENTILATION: DESIGNER SERIES

Get the Look: 48" Nova Series Range with 48" Bonanza Style Hood in Brilliant Blue

750+ Colors & Finishes:



Designer Metals:



Custom Strapping & Rivets:



Customize your ventilation hood with one of our standard strapping layouts or choose your own. All strapping is available in the Designer Metals above or painted in one of our standard 190 RAL colors. Request a quote from our ventilation team at quote@bluestarcooking.com

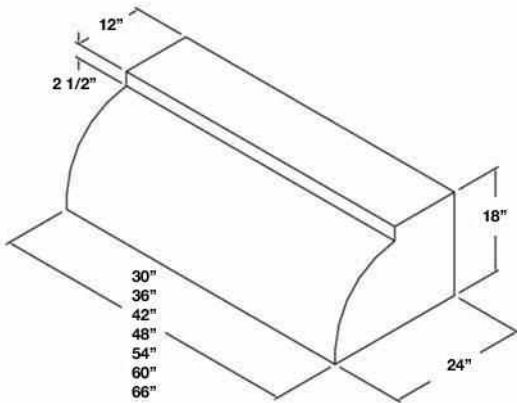
Custom Sizes:



Customize the height, width or depth of your ventilation hood to accommodate your unique kitchen design. Request a quote from our ventilation team at quote@bluestarcooking.com

REQUEST A CUSTOM QUOTE
at quote@bluestarcooking.com

VENTILATION: DESIGNER SERIES BONANZA (STANDARD) WALL HOOD



FEATURES:

- Commercial grade stainless steel construction
- Welded seamless corners
- Commercial style stainless steel baffle filter system
- 3-speed blower/variable light control
- 30" & 36" models: 600 CFM internal fan included (*Must be included on order*)
- Accommodates top or rear discharge
- Duct free recirculating kits available for 30", 36", 42" & 48" models (Sold separately)
- Remote and In-line fans available
- Transition or collar included

CUSTOMIZATION OPTIONS:

- 750+ Colors & Finishes
- Designer Metals
- Custom strapping & rivets
- Full custom options



REQUEST A QUOTE

quote@bluestarcooking.com

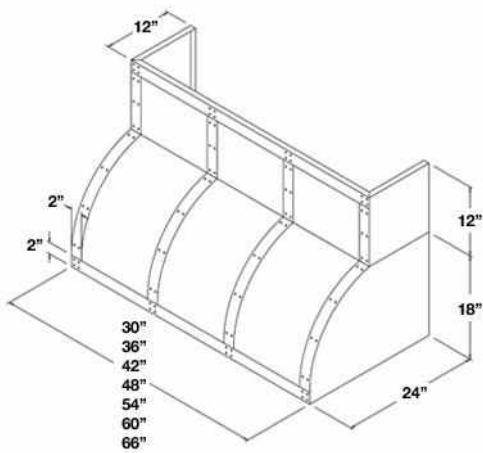
Model	Description	UMRP	MSRP
BS-BONZ-30-SS	30" Bonanza w/ 600 CFM Blower	\$2,795	\$3,215
BS-BONZ-36-SS	36" Bonanza w/ 600 CFM Blower	\$2,845	\$3,270
BS-BONZ-42-SS	42" Bonanza	\$2,895	\$3,330
BS-BONZ-48-SS	48" Bonanza	\$2,945	\$3,385
BS-BONZ-54-SS	54" Bonanza	\$3,195	\$3,675
BS-BONZ-60-SS	60" Bonanza	\$3,295	\$3,790
BS-BONZ-66-SS	66" Bonanza	\$3,395	\$3,905
COLOR OPTIONS: (Refer to page 86 for additional color options)			
PAINT STD RAL 24-36	Standard 190 RAL Colors	\$650	\$715
PAINT STD RAL 42-66	Standard 190 RAL Colors	\$850	\$975
PAINT PM 24-36	Precious Metals Colors (Includes Matte Black & Infused Copper)	\$1,250	\$1,445
PAINT PM 42-66	Precious Metals Colors (Includes Matte Black & Infused Copper)	\$1,450	\$1,665
PRO-RECIRCULATING KIT FOR BONANZA HOODS:			
PH-RHKP-30-SS	30" Recirculating Kit	\$895	\$1,030
PH-RHKP-36-SS	36" Recirculating Kit	\$945	\$1,085
PH-RHKP-42-SS	42" Recirculating Kit	\$995	\$1,145
PH-RHKP-48-SS	48" Recirculating Kit	\$1,045	\$1,200
BLOWER OPTIONS AND ADDITIONAL ACCESSORIES: (Refer to page 86)			

NOTE: DUCT COVERS ARE NOT COMPATIBLE WITH THIS HOOD. REFER TO BONANZA PHC ON PAGE 54 IF A DUCT COVER IS NEEDED

BLOWER OPTIONS								
	IN-HOOD		IN-LINE		REMOTE		DISCHARGE	
CFM POWER	600	1200	600	1200	1000	1400	TOP	REAR
MODEL #	PH-CFM-600	PH-CFM-1200	PH-INLB600	PH-INBL1200	PH-1000CFMR	PH-1400CFMR		
UMRP	\$695	\$995	\$1,095	\$1,345	\$1,345	\$1,445		
BONZ-30-SS	•	•	•	•	•	•	•	•
BONZ-36-SS	•	•	•	•	•	•	•	•
BONZ-42-SS	•	•	•	•	•	•	•	•
BONZ-48-SS	•	•	•	•	•	•	•	•
BONZ-54-SS	•	•	•	•	•	•	•	•
BONZ-60-SS	•	•	•	•	•	•	•	•
BONZ-66-SS	•	•	•	•	•	•	•	•
•	Denotes blower compatible with specific ventilation hood size. Abbaka designated blowers <u>are not compatible</u> with this ventilation hood.							

VENTILATION: DESIGNER SERIES BONANZA (PHC VERSION) WALL HOOD

REQUEST A CUSTOM QUOTE
at quote@bluestarcooking.com



Shown with optional strapping, rivets & duct cover
(All strapping on hoods must be quoted)

FEATURES:

- Commercial grade stainless steel construction
- Welded seamless corners
- Commercial style stainless steel baffle filter system
- 3-speed blower/variable light control
- 30" & 36" models: 600 CFM internal fan included *(Must be included on order)*
- Install with or without optional duct cover
- Accommodates top or rear discharge
(Must be specified at time of order. Can not be changed during install.)
- Remote and In-line fans available
- Transition or collar included

CUSTOMIZATION OPTIONS:

- 750+ Colors & Finishes
- Designer Metals
- Custom strapping & rivets
- Full custom options

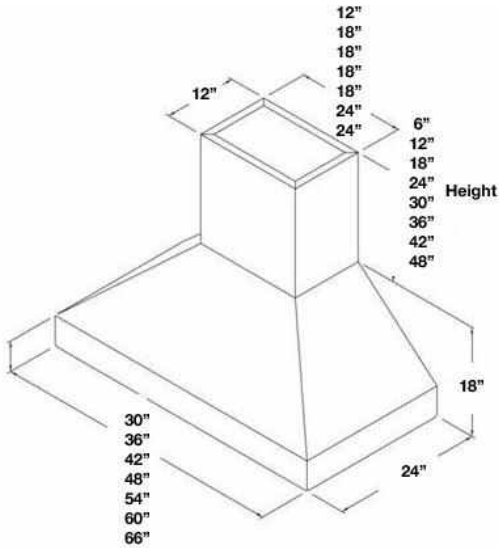


REQUEST A QUOTE

quote@bluestarcooking.com

Model	Description	UMRP	MSRP
PHC-BONZ-30-SS	30" PHC Bonanza w/ 600 CFM Blower	\$2,795	\$3,215
PHC-BONZ-36-SS	36" PHC Bonanza w/ 600 CFM Blower	\$2,845	\$3,270
PHC-BONZ-42-SS	42" PHC Bonanza	\$2,895	\$3,330
PHC-BONZ-48-SS	48" PHC Bonanza	\$2,945	\$3,385
PHC-BONZ-54-SS	54" PHC Bonanza	\$3,195	\$3,675
PHC-BONZ-60-SS	60" PHC Bonanza	\$3,295	\$3,790
PHC-BONZ-66-SS	66" PHC Bonanza	\$3,395	\$3,905
COLOR OPTIONS: (Refer to page 86 for additional color options)			
PAINT STD RAL 24-36	Standard 190 RAL Colors	\$650	\$715
PAINT STD RAL 42-66	Standard 190 RAL Colors	\$850	\$975
PAINT PM 24-36	Precious Metals Colors (Includes Matte Black & Infused Copper)	\$1,250	\$1,445
PAINT PM 42-66	Precious Metals Colors (Includes Matte Black & Infused Copper)	\$1,450	\$1,665
DUCT COVERS FOR PHC BONANZA HOODS:			
Refer to page 87 for all PHC Bonanza hood duct cover options Available duct cover heights: 6", 12", 18", 24", 30", 36", 42" & 48"			
BLOWER OPTIONS AND ADDITIONAL ACCESSORIES: (Refer to page 86)			

BLOWER OPTIONS								
	IN-HOOD		IN-LINE		REMOTE		DISCHARGE Must Specify at Order	
CFM POWER	600	1200	600	1200	1000	1400	TOP	REAR
MODEL #	PH-CFM-600	PH-CFM-1200	PH-INLB600	PH-INBL1200	PH-1000CFMR	PH-1400CFMR		
UMRP	\$695	\$995	\$1,095	\$1,345	\$1,345	\$1,445		
BONZ-30-SS	•	•	•	•	•	•	•	•
BONZ-36-SS	•	•	•	•	•	•	•	•
BONZ-42-SS	•	•	•	•	•	•	•	•
BONZ-48-SS	•	•	•	•	•	•	•	•
BONZ-54-SS	•	•	•	•	•	•	•	•
BONZ-60-SS	•	•	•	•	•	•	•	•
BONZ-66-SS	•	•	•	•	•	•	•	•
•	Denotes blower compatible with specific ventilation hood size. Abbaka designated blowers <u>are not compatible</u> with this ventilation hood.							



FEATURES:

- Commercial grade stainless steel construction
- Welded seamless corners
- Commercial style stainless steel baffle filter system
- 3-speed blower/variable light control
- 30" & 36" models: 600 CFM internal fan included (*Must be included on order*)
- Included duct cover heights: 6", 12", 18", 24" or 30". Must be specified on order.
- Accommodates top or rear discharge
- Duct free recirculating kits available for 30", 36", 42" & 48" models (Sold separately)
- Remote and In-line fans available
- Transition or collar included

CUSTOMIZATION OPTIONS:

- 750+ Colors & Finishes
- Designer Metals
- Custom strapping & rivets
- Full custom options



REQUEST A QUOTE

quote@bluestarcooking.com

Model	Description	UMRP	MSRP
BS-HAMP-30-SS	30" Hampton w/ 600 CFM Blower	\$4,095	\$4,710
BS-HAMP-36-SS	36" Hampton w/ 600 CFM Blower	\$4,145	\$4,765
BS-HAMP-42-SS	42" Hampton	\$4,195	\$4,825
BS-HAMP-48-SS	48" Hampton	\$4,255	\$4,895
BS-HAMP-54-SS	54" Hampton	\$4,295	\$4,940
BS-HAMP-60-SS	60" Hampton	\$4,355	\$5,010
BS-HAMP-66-SS	66" Hampton	\$4,455	\$5,125

COLOR OPTIONS: (Refer to page 86 for additional color options)

PAINT STD RAL 24-36	Standard 190 RAL Colors	\$650	\$715
PAINT STD RAL 42-66	Standard 190 RAL Colors	\$850	\$975
PAINT PM 24-36	Precious Metals Colors (Includes Matte Black & Infused Copper)	\$1,250	\$1,445
PAINT PM 42-66	Precious Metals Colors (Includes Matte Black & Infused Copper)	\$1,450	\$1,665

INCLUDED DUCT COVER SIZES: (Refer to page 89 for additional duct cover options)

Duct cover included at no charge but must be specified on order. " _ " denotes hood width. UMRP price below is if purchased separately.

PH-DC6CHIM__SS	6" duct cover (included at N/C w/ hood order)	\$635	\$730
PH-DC12CHIM__SS	12" duct cover (included at N/C w/ hood order)	\$695	\$800
PH-DC18CHIM__SS	18" duct cover (included at N/C w/ hood order)	\$765	\$880
PH-DC24CHIM__SS	24" duct cover (included at N/C w/ hood order)	\$835	\$960
PH-DC30CHIM__SS	30" duct cover (included at N/C w/ hood order)	\$895	\$1,030

CHIMNEY RECIRCULATING KIT:

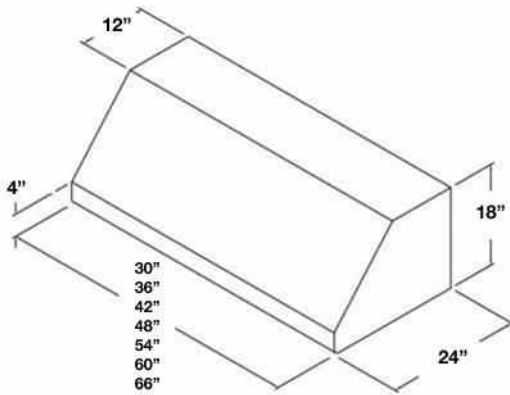
PH-RHKC-30-SS	30" Chimney Recirculating Kit	\$895	\$1,030
PH-RHKC-36-SS	36" Chimney Recirculating Kit	\$945	\$1,085
PH-RHKC-42-SS	42" Chimney Recirculating Kit	\$945	\$1,085
PH-RHKC-48-SS	48" Chimney Recirculating Kit	\$945	\$1,085

BLOWER OPTIONS AND ADDITIONAL ACCESSORIES: (Refer to page 86)

BLOWER OPTIONS								
	IN-HOOD		IN-LINE		REMOTE		DISCHARGE	
CFM POWER	600	1200	600	1200	1000	1400	TOP	REAR
MODEL #	PH-CFM-600	PH-CFM-1200	PH-INLB600	PH-INBL1200	PH-1000CFMR	PH-1400CFMR		
UMRP	\$695	\$995	\$1,095	\$1,345	\$1,345	\$1,445		
HAMP-30-SS	•		•	•	•	•	•	
HAMP-36-SS	•	•	•	•	•	•	•	
HAMP-42-SS	•	•	•	•	•	•	•	•
HAMP-48-SS	•	•	•	•	•	•	•	•
HAMP-54-SS	•	•	•	•	•	•	•	•
HAMP-60-SS	•	•	•	•	•	•	•	•
HAMP-66-SS	•	•	•	•	•	•	•	•
•	Denotes blower compatible with specific ventilation hood size. Abbaka designated blowers are not compatible with this ventilation hood.							

VENTILATION: DESIGNER SERIES INCLINE WALL HOOD

REQUEST A CUSTOM QUOTE
at quote@bluestarcooking.com



Model	Description	UMRP	MSRP
BS-INCL-30-SS	30" Incline w/ 600 CFM Blower	\$1,895	\$2,180
BS-INCL-36-SS	36" Incline w/ 600 CFM Blower	\$1,995	\$2,295
BS-INCL-42-SS	42" Incline	\$2,095	\$2,410
BS-INCL-48-SS	48" Incline	\$2,395	\$2,755
BS-INCL-54-SS	54" Incline	\$2,495	\$2,870
BS-INCL-60-SS	60" Incline	\$3,195	\$3,675
BS-INCL-66-SS	66" Incline	\$3,595	\$4,135
COLOR OPTIONS: (Refer to page 86 for additional color options)			
PAINT STD RAL 24-36	Standard 190 RAL Colors	\$650	\$715
PAINT STD RAL 42-66	Standard 190 RAL Colors	\$850	\$975
PAINT PM 24-36	Precious Metals Colors (Includes Matte Black & Infused Copper)	\$1,250	\$1,445
PAINT PM 42-66	Precious Metals Colors (Includes Matte Black & Infused Copper)	\$1,450	\$1,665
PRO-RECIRCULATING KIT FOR INCLINE HOODS:			
PH-RHKP-30-SS	30" Recirculating Kit	\$895	\$1,030
PH-RHKP-36-SS	36" Recirculating Kit	\$945	\$1,085
PH-RHKP-42-SS	42" Recirculating Kit	\$995	\$1,145
PH-RHKP-48-SS	48" Recirculating Kit	\$1,045	\$1,200
DUCT COVERS FOR INCLINE HOODS:			
Refer to page 87 for all Incline hood duct cover options Available duct cover heights: 6", 12", 18", 24", 30", 36", 42" & 48"			
BLOWER OPTIONS AND ADDITIONAL ACCESSORIES: (Refer to page 86)			

FEATURES:

- Commercial grade stainless steel construction
- Welded seamless corners
- Commercial style stainless steel baffle filter system
- 3-speed blower/variable light control
- 30" & 36" models: 600 CFM internal fan included (*Must be included on order*)
- Accommodates top or rear discharge
- Duct free recirculating kits available for 30", 36", 42" & 48" models (Sold separately)
- Remote and In-line fans available
- Transition or collar included

CUSTOMIZATION OPTIONS:

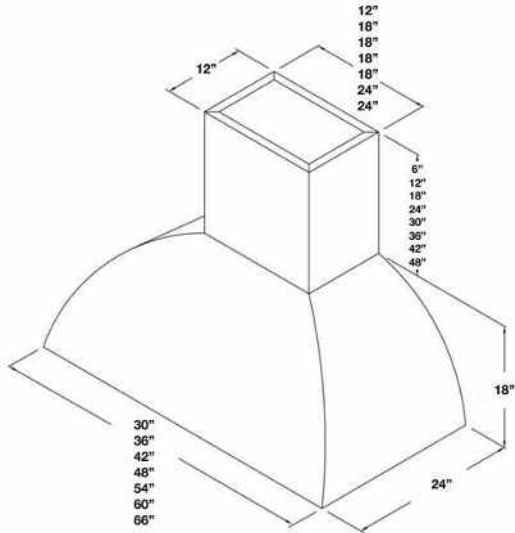
- 750+ Colors & Finishes
- Designer Metals
- Custom strapping & rivets
- Full custom options



REQUEST A QUOTE

quote@bluestarcooking.com

BLOWER OPTIONS								
	IN-HOOD		IN-LINE		REMOTE		DISCHARGE	
CFM POWER	600	1200	600	1200	1000	1400	TOP	REAR
MODEL #	PH-CFM-600	PH-CFM-1200	PH-INLB600	PH-INBL1200	PH-1000CFMR	PH-1400CFMR		
UMRP	\$695	\$995	\$1,095	\$1,345	\$1,345	\$1,445		
INCL-30-SS	•	•	•	•	•	•	•	•
INCL-36-SS	•	•	•	•	•	•	•	•
INCL-42-SS	•	•	•	•	•	•	•	•
INCL-48-SS	•	•	•	•	•	•	•	•
INCL-54-SS	•	•	•	•	•	•	•	•
INCL-60-SS	•	•	•	•	•	•	•	•
INCL-66-SS	•	•	•	•	•	•	•	•
•	Denotes blower compatible with specific ventilation hood size. Abbaka designated blowers <u>are not compatible</u> with this ventilation hood.							



FEATURES:

- Commercial grade stainless steel construction
- Welded seamless corners
- Commercial style stainless steel baffle filter system
- 3-speed blower/variable light control
- 30" & 36" models: 600 CFM internal fan included (*Must be included on order*)
- Included duct cover heights: 6", 12", 18", 24" or 30". Must be specified on order.
- Accommodates top discharge only
- Duct free recirculating kits available for 30", 36", 42" & 48" models (Sold separately)
- Remote and In-line fans available
- Transition or collar included

CUSTOMIZATION OPTIONS:

- 750+ Colors & Finishes
- Designer Metals
- Custom strapping & rivets
- Full custom options



REQUEST A QUOTE

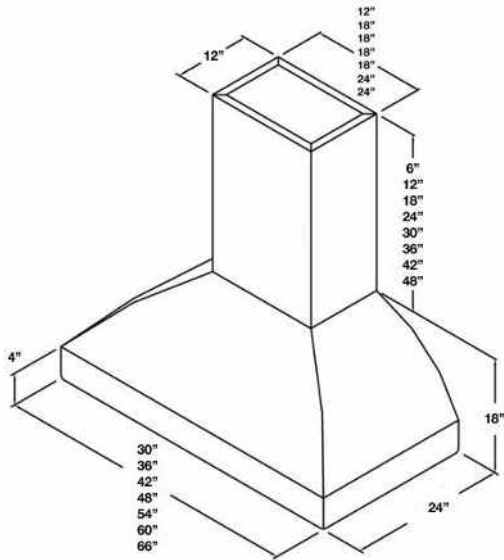
quote@bluestarcooking.com

Model	Description	UMRP	MSRP
LARA-30-SS	30" Laramie w/ 600 CFM Blower	\$3,895	\$4,480
LARA-36-SS	36" Laramie w/ 600 CFM Blower	\$3,995	\$4,595
LARA-42-SS	42" Laramie	\$4,095	\$4,710
LARA-48-SS	48" Laramie	\$4,195	\$4,825
LARA-54-SS	54" Laramie	\$4,295	\$4,940
LARA-60-SS	60" Laramie	\$4,395	\$5,055
LARA-66-SS	66" Laramie	\$4,495	\$5,170
COLOR OPTIONS: (Refer to page 86 for additional color options)			
PAINT STD RAL 24-36	Standard 190 RAL Colors	\$650	\$715
PAINT STD RAL 42-66	Standard 190 RAL Colors	\$850	\$975
PAINT PM 24-36	Precious Metals Colors (Includes Matte Black & Infused Copper)	\$1,250	\$1,445
PAINT PM 42-66	Precious Metals Colors (Includes Matte Black & Infused Copper)	\$1,450	\$1,665
INCLUDED DUCT COVER SIZES: (Refer to page 89 for additional duct cover options)			
Duct cover included at no charge but must be specified on order. " _ " denotes hood width. UMRP price below is if purchased separately.			
PH-DC6CHIM__SS	6" duct cover (included at N/C w/ hood order)	\$635	\$730
PH-DC12CHIM__SS	12" duct cover (included at N/C w/ hood order)	\$695	\$800
PH-DC18CHIM__SS	18" duct cover (included at N/C w/ hood order)	\$765	\$880
PH-DC24CHIM__SS	24" duct cover (included at N/C w/ hood order)	\$835	\$960
PH-DC30CHIM__SS	30" duct cover (included at N/C w/ hood order)	\$895	\$1,030
CHIMNEY RECIRCULATING KIT:			
PH-RHKC-30-SS	30" Chimney Recirculating Kit	\$895	\$1,030
PH-RHKC-36-SS	36" Chimney Recirculating Kit	\$945	\$1,085
PH-RHKC-42-SS	42" Chimney Recirculating Kit	\$945	\$1,085
PH-RHKC-48-SS	48" Chimney Recirculating Kit	\$945	\$1,085
BLOWER OPTIONS AND ADDITIONAL ACCESSORIES: (Refer to page 86)			

BLOWER OPTIONS								
	IN-HOOD		IN-LINE		REMOTE		DISCHARGE	
CFM POWER	600	1200	600	1200	1000	1400	TOP	REAR
MODEL #	PH-CFM-600	PH-CFM-1200	PH-INLB600	PH-INBL1200	PH-1000CFMR	PH-1400CFMR		
UMRP	\$695	\$995	\$1,095	\$1,345	\$1,345	\$1,445		
LARA-30-SS	•		•	•	•	•	•	
LARA-36-SS	•	•	•	•	•	•	•	
LARA-42-SS	•	•	•	•	•	•	•	
LARA-48-SS	•	•	•	•	•	•	•	
LARA-54-SS	•	•	•	•	•	•	•	
LARA-60-SS	•	•	•	•	•	•	•	
LARA-66-SS	•	•	•	•	•	•	•	
•	Denotes blower compatible with specific ventilation hood size. Abbaka designated blowers are not compatible with this ventilation hood.							

VENTILATION: DESIGNER SERIES LAREDO WALL HOOD

REQUEST A CUSTOM QUOTE
at quote@bluestarcooking.com



FEATURES:

- Commercial grade stainless steel construction
- Welded seamless corners
- Commercial style stainless steel baffle filter system
- 3-speed blower/variable light control
- 30" & 36" models: 600 CFM internal fan included (*Must be included on order*)
- Included duct cover heights: 6", 12", 18", 24" or 30". Must be specified on order.
- Accommodates discharge only
- Duct free recirculating kits available for 30", 36", 42" & 48" models (Sold separately)
- Remote and In-line fans available
- Transition or collar included

CUSTOMIZATION OPTIONS:

- 750+ Colors & Finishes
- Designer Metals
- Custom strapping & rivets
- Full custom options

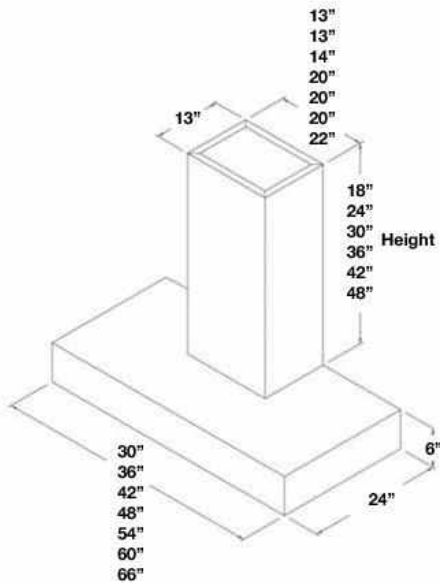


REQUEST A QUOTE

quote@bluestarcooking.com

Model	Description	UMRP	MSRP
LARE-30-SS	30" Laredo w/ 600 CFM Blower	\$4,295	\$4,940
LARE-36-SS	36" Laredo w/ 600 CFM Blower	\$4,395	\$5,055
LARE-42-SS	42" Laredo	\$4,495	\$5,170
LARE-48-SS	48" Laredo	\$4,595	\$5,285
LARE-54-SS	54" Laredo	\$4,695	\$5,400
LARE-60-SS	60" Laredo	\$4,795	\$5,515
LARE-66-SS	66" Laredo	\$4,895	\$5,630
COLOR OPTIONS: (Refer to page 86 for additional color options)			
PAINT STD RAL 24-36	Standard 190 RAL Colors	\$650	\$715
PAINT STD RAL 42-66	Standard 190 RAL Colors	\$850	\$975
PAINT PM 24-36	Precious Metals Colors (Includes Matte Black & Infused Copper)	\$1,250	\$1,445
PAINT PM 42-66	Precious Metals Colors (Includes Matte Black & Infused Copper)	\$1,450	\$1,665
INCLUDED DUCT COVER SIZES: (Refer to page 89 for additional duct cover options)			
Duct cover included at no charge but must be specified on order. " _ " denotes hood width. UMRP price below is if purchased separately.			
PH-DC6CHIM__SS	6" duct cover (included at N/C w/ hood order)	\$635	\$730
PH-DC12CHIM__SS	12" duct cover (included at N/C w/ hood order)	\$695	\$800
PH-DC18CHIM__SS	18" duct cover (included at N/C w/ hood order)	\$765	\$880
PH-DC24CHIM__SS	24" duct cover (included at N/C w/ hood order)	\$835	\$960
PH-DC30CHIM__SS	30" duct cover (included at N/C w/ hood order)	\$895	\$1,030
CHIMNEY RECIRCULATING KIT:			
PH-RHKC-30-SS	30" Chimney Recirculating Kit	\$895	\$1,030
PH-RHKC-36-SS	36" Chimney Recirculating Kit	\$945	\$1,085
PH-RHKC-42-SS	42" Chimney Recirculating Kit	\$945	\$1,085
PH-RHKC-48-SS	48" Chimney Recirculating Kit	\$945	\$1,085
BLOWER OPTIONS AND ADDITIONAL ACCESSORIES: (Refer to page 86)			

BLOWER OPTIONS								
	IN-HOOD		IN-LINE		REMOTE		DISCHARGE	
CFM POWER	600	1200	600	1200	1000	1400	TOP	REAR
MODEL #	PH-CFM-600	PH-CFM-1200	PH-INLB600	PH-INBL1200	PH-1000CFMR	PH-1400CFMR		
UMRP	\$695	\$995	\$1,095	\$1,345	\$1,345	\$1,445		
LARE-30-SS	•		•	•	•	•	•	
LARE-36-SS	•	•	•	•	•	•	•	
LARE-42-SS	•	•	•	•	•	•	•	
LARE-48-SS	•	•	•	•	•	•	•	
LARE-54-SS	•	•	•	•	•	•	•	
LARE-60-SS	•	•	•	•	•	•	•	
LARE-66-SS	•	•	•	•	•	•	•	
•	Denotes blower compatible with specific ventilation hood size. Abbaka designated blowers are not compatible with this ventilation hood.							



FEATURES:

- Commercial grade stainless steel construction
- Welded seamless corners
- Commercial style stainless steel baffle filter system
- 3-speed blower/variable light control
- 30" & 36" models: 600 CFM internal fan included *(Must be included on order)*
- Accommodates top discharge only
- Included duct cover heights: 18", 24", 30" & 36" *(Must be specified on order.)*
- Remote and In-line fans available

CUSTOMIZATION OPTIONS:

- 750+ Colors & Finishes
- Designer Metals
- Custom strapping & rivets
- Full custom options



REQUEST A QUOTE

quote@bluestarcooking.com

Model	Description	UMRP	MSRP
BS-MANH-30-SS	30" Manhattan w/ 600 CFM Blower	\$3,745	\$4,305
BS-MANH-36-SS	36" Manhattan w/ 600 CFM Blower	\$3,795	\$4,365
BS-MANH-42-SS	42" Manhattan	\$3,845	\$4,420
BS-MANH-48-SS	48" Manhattan	\$3,895	\$4,480
BS-MANH-54-SS	54" Manhattan	\$3,995	\$4,595
BS-MANH-60-SS	60" Manhattan	\$4,195	\$4,825
BS-MANH-66-SS	66" Manhattan	\$4,295	\$4,940

COLOR OPTIONS: (Refer to page 86 for additional color options)

PAINT STD RAL 24-36	Standard 190 RAL Colors	\$650	\$715
PAINT STD RAL 42-66	Standard 190 RAL Colors	\$850	\$975
PAINT PM 24-36	Precious Metals Colors (Includes Matte Black & Infused Copper)	\$1,250	\$1,445
PAINT PM 42-66	Precious Metals Colors (Includes Matte Black & Infused Copper)	\$1,450	\$1,665

INCLUDED DUCT COVER SIZES: (Refer to page 88 for additional duct cover options)

Requires use of fan housing included. 18", 24", 30" & 36" duct covers are included, please specify on order. UMRP price below is if purchased separately.

PH-DC18MANH__SS	18" High Duct Cover (Included)	\$495	\$570
PH-DC24MANH__SS	24" High Duct Cover (Included)	\$545	\$625
PH-DC30MANH__SS	30" High Duct Cover (Included)	\$595	\$685
PH-DC36MANH__SS	36" High Duct Cover (Included)	\$645	\$740

BLOWER OPTIONS AND ADDITIONAL ACCESSORIES: (Refer to page 86)

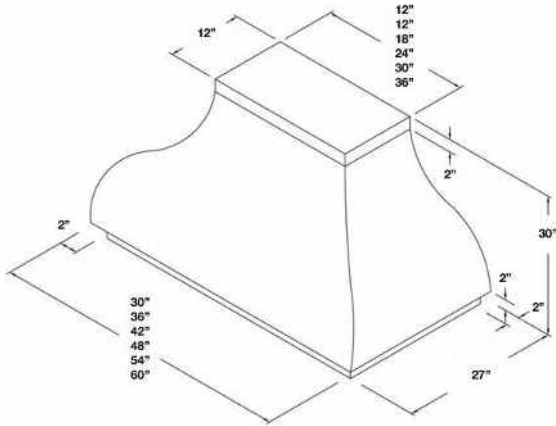
NOTE: HOOD MUST BE MOUNTED TO CEILING AND CEILING ACCESS MAY BE REQUIRED. PLEASE REFERENCE THE INSTALLATION MANUAL ON BLUESTARCOOKING.COM FOR DETAILS

NOTE: MUST ORDER DUCT COVER FOR BLOWER & MOUNTING PURPOSES. MINIMUM 18" HIGH

BLOWER OPTIONS								
	IN-HOOD		IN-LINE		REMOTE		DISCHARGE	
CFM POWER	600	1200	600	1200	1000	1400	TOP	REAR
MODEL #	PH-CFM-600	PH-CFM-1200	PH-INLB600	PH-INBL1200	PH-1000CFMR	PH-1400CFMR		
UMRP	\$695	\$995	\$1,095	\$1,345	\$1,345	\$1,445		
MANH-30-SS	•		•	•	•	•	•	
MANH-36-SS	•		•	•	•	•	•	
MANH-42-SS	•	•	•	•	•	•	•	
MANH-48-SS	•	•	•	•	•	•	•	
MANH-54-SS	•	•	•	•	•	•	•	
MANH-60-SS	•	•	•	•	•	•	•	
MANH-66-SS	•	•	•	•	•	•	•	
•	Denotes blower compatible with specific ventilation hood size. Abbaka designated blowers <u>are not compatible</u> with this ventilation hood.							

VENTILATION: DESIGNER SERIES PAGODA WALL HOOD

REQUEST A CUSTOM QUOTE
at quote@bluestarcooking.com



Model	Description	UMRP	MSRP
PAGO-30-SS	30" Pagoda	\$7,995	\$9,195
PAGO-36-SS	36" Pagoda	\$8,095	\$9,310
PAGO-42-SS	42" Pagoda	\$8,195	\$9,425
PAGO-48-SS	48" Pagoda	\$8,295	\$9,540
PAGO-54-SS	54" Pagoda	\$8,395	\$9,655
PAGO-60-SS	60" Pagoda	\$8,495	\$9,770

COLOR OPTIONS: (Refer to page 86 for additional color options)

PAINT STD RAL 24-36	Standard 190 RAL Colors	\$650	\$715
PAINT STD RAL 42-66	Standard 190 RAL Colors	\$850	\$975
PAINT PM 24-36	Precious Metals Colors (Includes Matte Black & Infused Copper)	\$1,250	\$1,445
PAINT PM 42-66	Precious Metals Colors (Includes Matte Black & Infused Copper)	\$1,450	\$1,665

BLOWER OPTIONS AND ADDITIONAL ACCESSORIES: (Refer to page 86)

FEATURES:

- Commercial grade stainless steel construction
- Commercial style stainless steel baffle filter system
- 3-speed blower/variable light control
- Accommodates top or rear discharge
(Must be specified at time of order. Can not be changed during install.)
- High heat sensor
- Transition or collar included

CUSTOMIZATION OPTIONS:

- 750+ Colors & Finishes
- Designer Metals
- Custom strapping & rivets
- Full custom options



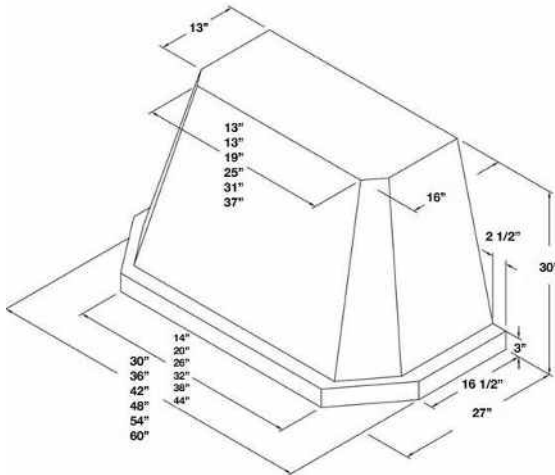
REQUEST A QUOTE

quote@bluestarcooking.com

BLOWER OPTIONS								
	IN-HOOD		IN-LINE		REMOTE		DISCHARGE Must Specify at Order	
CFM POWER	600	1200	600	1200	1000	1400	TOP	REAR
MODEL #	PH-CFM-600	PH-CFM-1200	PH-INLB600	PH-INBL1200	PH-1000CFMR	PH-1400CFMR		
UMRP	\$695	\$995	\$1,095	\$1,345	\$1,345	\$1,445		
PAGO-30-SS	•		•	•	•	•	•	•
PAGO-36-SS	•		•	•	•	•	•	•
PAGO-42-SS	•	•	•	•	•	•	•	•
PAGO-48-SS	•	•	•	•	•	•	•	•
PAGO-54-SS	•	•	•	•	•	•	•	•
PAGO-60-SS	•	•	•	•	•	•	•	•
•	Denotes blower compatible with specific ventilation hood size. Abbaka designated blowers <u>are not compatible</u> with this ventilation hood.							

REQUEST A CUSTOM QUOTE
at quote@bluestarcooking.com

VENTILATION: DESIGNER SERIES PONDEROSA WALL HOOD



Model	Description	UMRP	MSRP
POND-30-SS	30" Ponderosa	\$8,495	\$9,770
POND-36-SS	36" Ponderosa	\$8,595	\$9,885
POND-42-SS	42" Ponderosa	\$8,695	\$10,000
POND-48-SS	48" Ponderosa	\$8,795	\$10,115
POND-54-SS	54" Ponderosa	\$8,895	\$10,230
POND-60-SS	60" Ponderosa	\$8,995	\$10,345
COLOR OPTIONS: (Refer to page 86 for additional color options)			
PAINT STD RAL 24-36	Standard 190 RAL Colors	\$650	\$715
PAINT STD RAL 42-66	Standard 190 RAL Colors	\$850	\$975
PAINT PM 24-36	Precious Metals Colors (Includes Matte Black & Infused Copper)	\$1,250	\$1,445
PAINT PM 42-66	Precious Metals Colors (Includes Matte Black & Infused Copper)	\$1,450	\$1,665
BLOWER OPTIONS AND ADDITIONAL ACCESSORIES: (Refer to page 86)			

FEATURES:

- Commercial grade stainless steel construction
- Commercial style stainless steel baffle filter system
- 3-speed blower/variable light control
- Accommodates top or rear discharge
(Must be specified at time of order. Can not be changed during install.)
- High heat sensor
- Transition or collar included

CUSTOMIZATION OPTIONS:

- 750+ Colors & Finishes
- Designer Metals
- Custom strapping & rivets
- Full custom options



REQUEST A QUOTE

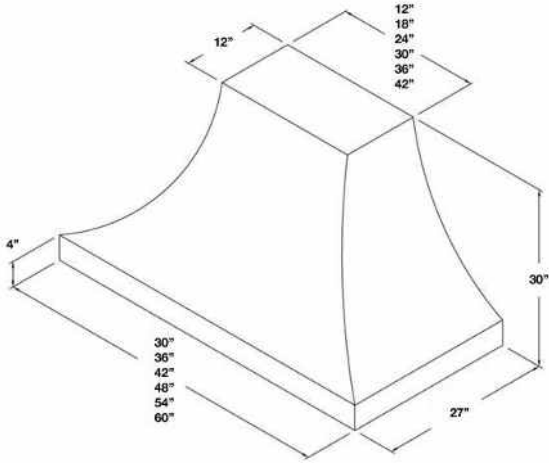
quote@bluestarcooking.com

BLOWER OPTIONS								
	IN-HOOD		IN-LINE		REMOTE		DISCHARGE Must Specify at Order	
CFM POWER	600	1200	600	1200	1000	1400	TOP	REAR
MODEL #	PH-CFM-600	PH-CFM-1200	PH-INLB600	PH-INBL1200	PH-1000CFMR	PH-1400CFMR		
UMRP	\$695	\$995	\$1,095	\$1,345	\$1,345	\$1,445		
POND-30-SS	•		•	•	•	•	•	•
POND-36-SS	•		•	•	•	•	•	•
POND-42-SS	•	•	•	•	•	•	•	•
POND-48-SS	•	•	•	•	•	•	•	•
POND-54-SS	•	•	•	•	•	•	•	•
POND-60-SS	•	•	•	•	•	•	•	•
•	Denotes blower compatible with specific ventilation hood size. Abbaka designated blowers <u>are not compatible</u> with this ventilation hood.							

VENTILATION: DESIGNER SERIES

SAHARA CURVED SIDES WALL HOOD

REQUEST A CUSTOM QUOTE
at quote@bluestarcooking.com



Model	Description	UMRP	MSRP
SACS-30-SS	30" Sahara Curved Sides	\$6,895	\$7,930
SACS-36-SS	36" Sahara Curved Sides	\$6,995	\$8,045
SACS-42-SS	42" Sahara Curved Sides	\$7,095	\$8,160
SACS-48-SS	48" Sahara Curved Sides	\$7,195	\$8,275
SACS-54-SS	54" Sahara Curved Sides	\$7,295	\$8,390
SACS-60-SS	60" Sahara Curved Sides	\$7,395	\$8,505
COLOR OPTIONS: (Refer to page 86 for additional color options)			
PAINT STD RAL 24-36	Standard 190 RAL Colors	\$650	\$715
PAINT STD RAL 42-66	Standard 190 RAL Colors	\$850	\$975
PAINT PM 24-36	Precious Metals Colors (Includes Matte Black & Infused Copper)	\$1,250	\$1,445
PAINT PM 42-66	Precious Metals Colors (Includes Matte Black & Infused Copper)	\$1,450	\$1,665
BLOWER OPTIONS AND ADDITIONAL ACCESSORIES: (Refer to page 86)			

FEATURES:

- Commercial grade stainless steel construction
- Commercial style stainless steel baffle filter system
- 3-speed blower/variable light control
- Accommodates top or rear discharge
(Must be specified at time of order. Can not be changed during install.)
- High heat sensor
- Transition or collar included

CUSTOMIZATION OPTIONS:

- 750+ Colors & Finishes
- Designer Metals
- Custom strapping & rivets
- Full custom options



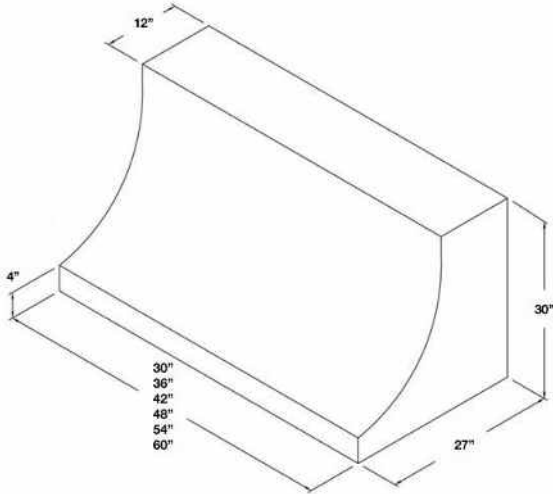
REQUEST A QUOTE

quote@bluestarcooking.com

BLOWER OPTIONS								
	IN-HOOD		IN-LINE		REMOTE		DISCHARGE Must Specify at Order	
CFM POWER	600	1200	600	1200	1000	1400	TOP	REAR
MODEL #	PH-CFM-600	PH-CFM-1200	PH-INLB600	PH-INBL1200	PH-1000CFMR	PH-1400CFMR		
UMRP	\$695	\$995	\$1,095	\$1,345	\$1,345	\$1,445		
SACS-30-SS	•		•	•	•	•	•	•
SACS-36-SS	•		•	•	•	•	•	•
SACS-42-SS	•	•	•	•	•	•	•	•
SACS-48-SS	•	•	•	•	•	•	•	•
SACS-54-SS	•	•	•	•	•	•	•	•
SACS-60-SS	•	•	•	•	•	•	•	•
•	Denotes blower compatible with specific ventilation hood size. Abbaka designated blowers <u>are not compatible</u> with this ventilation hood.							

REQUEST A CUSTOM QUOTE
at quote@bluestarcooking.com

VENTILATION: DESIGNER SERIES SAHARA FLAT SIDES WALL HOOD



Model	Description	UMRP	MSRP
SAHA-30-SS	30" Sahara Flat Sides	\$6,895	\$7,930
SAHA-36-SS	36" Sahara Flat Sides	\$6,995	\$8,045
SAHA-42-SS	42" Sahara Flat Sides	\$7,095	\$8,160
SAHA-48-SS	48" Sahara Flat Sides	\$7,195	\$8,275
SAHA-54-SS	54" Sahara Flat Sides	\$7,295	\$8,390
SAHA-60-SS	60" Sahara Flat Sides	\$7,395	\$8,505
COLOR OPTIONS: (Refer to page 86 for additional color options)			
PAINT STD RAL 24-36	Standard 190 RAL Colors	\$650	\$715
PAINT STD RAL 42-66	Standard 190 RAL Colors	\$850	\$975
PAINT PM 24-36	Precious Metals Colors (Includes Matte Black & Infused Copper)	\$1,250	\$1,445
PAINT PM 42-66	Precious Metals Colors (Includes Matte Black & Infused Copper)	\$1,450	\$1,665
BLOWER OPTIONS AND ADDITIONAL ACCESSORIES: (Refer to page 86)			

FEATURES:

- Commercial grade stainless steel construction
- Commercial style stainless steel baffle filter system
- 3-speed blower/variable light control
- Accommodates top or rear discharge
(Must be specified at time of order. Can not be changed during install.)
- High heat sensor
- Transition or collar included

CUSTOMIZATION OPTIONS:

- 750+ Colors & Finishes
- Designer Metals
- Custom strapping & rivets
- Full custom options



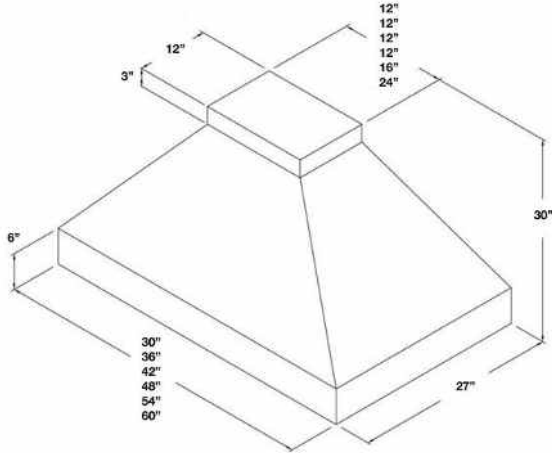
REQUEST A QUOTE

quote@bluestarcooking.com

BLOWER OPTIONS								
	IN-HOOD		IN-LINE		REMOTE		DISCHARGE Must Specify at Order	
CFM POWER	600	1200	600	1200	1000	1400	TOP	REAR
MODEL #	PH-CFM-600	PH-CFM-1200	PH-INLB600	PH-INBL1200	PH-1000CFMR	PH-1400CFMR		
UMRP	\$695	\$995	\$1,095	\$1,345	\$1,345	\$1,445		
SAHA-30-SS	•	•	•	•	•	•	•	•
SAHA-36-SS	•	•	•	•	•	•	•	•
SAHA-42-SS	•	•	•	•	•	•	•	•
SAHA-48-SS	•	•	•	•	•	•	•	•
SAHA-54-SS	•	•	•	•	•	•	•	•
SAHA-60-SS	•	•	•	•	•	•	•	•
•	Denotes blower compatible with specific ventilation hood size. Abbaka designated blowers <u>are not compatible</u> with this ventilation hood.							

VENTILATION: DESIGNER SERIES SILVERADO WALL HOOD

REQUEST A CUSTOM QUOTE
at quote@bluestarcooking.com



Model	Description	UMRP	MSRP
SILV-30-SS	30" Silverado	\$4,995	\$5,745
SILV-36-SS	36" Silverado	\$5,095	\$5,860
SILV-42-SS	42" Silverado	\$5,195	\$5,975
SILV-48-SS	48" Silverado	\$5,295	\$6,090
SILV-54-SS	54" Silverado	\$5,395	\$6,205
SILV-60-SS	60" Silverado	\$5,495	\$6,320
COLOR OPTIONS: (Refer to page 86 for additional color options)			
PAINT STD RAL 24-36	Standard 190 RAL Colors	\$650	\$715
PAINT STD RAL 42-66	Standard 190 RAL Colors	\$850	\$975
PAINT PM 24-36	Precious Metals Colors (Includes Matte Black & Infused Copper)	\$1,250	\$1,445
PAINT PM 42-66	Precious Metals Colors (Includes Matte Black & Infused Copper)	\$1,450	\$1,665
BLOWER OPTIONS AND ADDITIONAL ACCESSORIES: (Refer to page 86)			

FEATURES:

- Commercial grade stainless steel construction
- Commercial style stainless steel baffle filter system
- 3-speed blower/variable light control
- Accommodates top or rear discharge
(Must be specified at time of order. Can not be changed during install.)
- High heat sensor
- Transition or collar included

CUSTOMIZATION OPTIONS:

- 750+ Colors & Finishes
- Designer Metals
- Custom strapping & rivets
- Full custom options



REQUEST A QUOTE

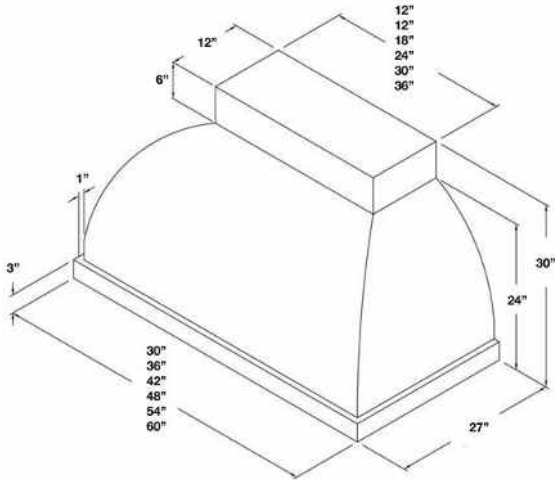
quote@bluestarcooking.com

BLOWER OPTIONS								
	IN-HOOD		IN-LINE		REMOTE		DISCHARGE Must Specify at Order	
CFM POWER	600	1200	600	1200	1000	1400	TOP	REAR
MODEL #	PH-CFM-600	PH-CFM-1200	PH-INLB600	PH-INBL1200	PH-1000CFMR	PH-1400CFMR		
UMRP	\$695	\$995	\$1,095	\$1,345	\$1,345	\$1,445		
SILV-30-SS	•		•	•	•	•	•	•
SILV-36-SS	•	•	•	•	•	•	•	•
SILV-42-SS	•	•	•	•	•	•	•	•
SILV-48-SS	•	•	•	•	•	•	•	•
SILV-54-SS	•	•	•	•	•	•	•	•
SILV-60-SS	•	•	•	•	•	•	•	•
•	Denotes blower compatible with specific ventilation hood size. Abbaka designated blowers <u>are not compatible</u> with this ventilation hood.							

REQUEST A CUSTOM QUOTE
at quote@bluestarcooking.com

VENTILATION: DESIGNER SERIES TAHOE WALL HOOD

Model	Description	UMRP	MSRP
TAHO-30-SS	30" Tahoe	\$6,595	\$7,585
TAHO-36-SS	36" Tahoe	\$6,695	\$7,700
TAHO-42-SS	42" Tahoe	\$6,795	\$7,815
TAHO-48-SS	48" Tahoe	\$6,895	\$7,930
TAHO-54-SS	54" Tahoe	\$6,995	\$8,045
TAHO-60-SS	60" Tahoe	\$7,095	\$8,160
COLOR OPTIONS: (Refer to page 86 for additional color options)			
PAINT STD RAL 24-36	Standard 190 RAL Colors	\$650	\$715
PAINT STD RAL 42-66	Standard 190 RAL Colors	\$850	\$975
PAINT PM 24-36	Precious Metals Colors (Includes Matte Black & Infused Copper)	\$1,250	\$1,445
PAINT PM 42-66	Precious Metals Colors (Includes Matte Black & Infused Copper)	\$1,450	\$1,665
BLOWER OPTIONS AND ADDITIONAL ACCESSORIES: (Refer to page 86)			



FEATURES:

- Commercial grade stainless steel construction
- Commercial style stainless steel baffle filter system
- 3-speed blower/variable light control
- Accommodates top or rear discharge
(Must be specified at time of order. Can not be changed during install.)
- High heat sensor
- Transition or collar included

CUSTOMIZATION OPTIONS:

- 750+ Colors & Finishes
- Designer Metals
- Custom strapping & rivets
- Full custom options



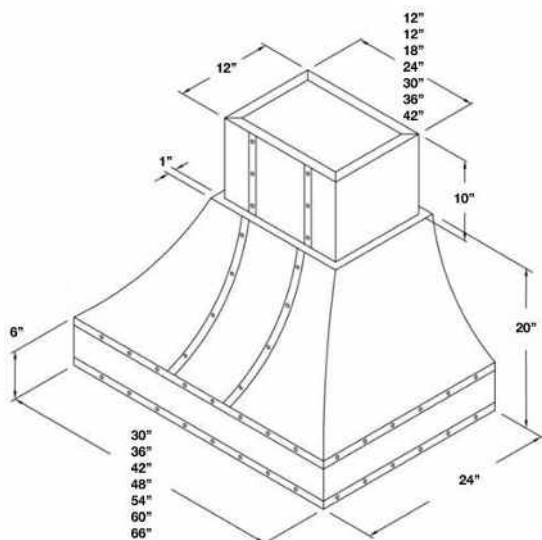
REQUEST A QUOTE

quote@bluestarcooking.com

BLOWER OPTIONS								
	IN-HOOD		IN-LINE		REMOTE		DISCHARGE Must Specify at Order	
CFM POWER	600	1200	600	1200	1000	1400	TOP	REAR
MODEL #	PH-CFM-600	PH-CFM-1200	PH-INLB600	PH-INBL1200	PH-1000CFMR	PH-1400CFMR		
UMRP	\$695	\$995	\$1,095	\$1,345	\$1,345	\$1,445		
TAHO-30-SS	•		•	•	•	•	•	•
TAHO-36-SS	•		•	•	•	•	•	•
TAHO-42-SS	•	•	•	•	•	•	•	•
TAHO-48-SS	•	•	•	•	•	•	•	•
TAHO-54-SS	•	•	•	•	•	•	•	•
TAHO-60-SS	•	•	•	•	•	•	•	•
•	Denotes blower compatible with specific ventilation hood size. Abbaka designated blowers <u>are not compatible</u> with this ventilation hood.							

VENTILATION: DESIGNER SERIES WRANGLER WALL HOOD

REQUEST A CUSTOM QUOTE
at quote@bluestarcooking.com



Shown with optional strapping, rivets & duct cover
(Included – All other metal options must be quoted)

FEATURES:

- Commercial grade stainless steel construction
- Welded seamless corners
- Commercial style stainless steel baffle filter system
- 3-speed blower/variable light control
- 30" & 36" models: 600 CFM internal fan included (Must be included on order)
- Included duct cover heights: 10", 16", 22", 28", 34", 40", 46". Must be specified on order.
- See below for top/rear discharge details
- Remote and In-line fans available
- Transition or collar included

CUSTOMIZATION OPTIONS:

- 750+ Colors & Finishes
- Designer Metals
- Custom strapping & rivets
- Full custom options



REQUEST A QUOTE

quote@bluestarcooking.com

Model	Description	UMRP	MSRP
WRAN-30-SS	30" Wrangler w/ 600 CFM Blower	\$6,295	\$7,240
WRAN-36-SS	36" Wrangler w/ 600 CFM Blower	\$6,395	\$7,355
WRAN-42-SS	42" Wrangler	\$6,495	\$7,470
WRAN-48-SS	48" Wrangler	\$6,595	\$7,585
WRAN-54-SS	54" Wrangler	\$6,695	\$7,700
WRAN-60-SS	60" Wrangler	\$6,795	\$7,815
WRAN-66-SS	66" Wrangler	\$6,895	\$7,930

COLOR OPTIONS: (Refer to page 86 for additional color options)

PAINT STD RAL 24-36	Standard 190 RAL Colors	\$650	\$715
PAINT STD RAL 42-66	Standard 190 RAL Colors	\$850	\$975
PAINT PM 24-36	Precious Metals Colors (Includes Matte Black & Infused Copper)	\$1,250	\$1,445
PAINT PM 42-66	Precious Metals Colors (Includes Matte Black & Infused Copper)	\$1,450	\$1,665

INCLUDED DUCT COVER SIZES:

Duct cover included at no charge but must be specified on order. "___" denotes hood width.

PH-10-WRAN-__-W-SS	10" duct cover (included at N/C w/ hood order)	N/C	N/C
PH-16-WRAN-__-W-SS	16" duct cover (included at N/C w/ hood order)	N/C	N/C
PH-22-WRAN-__-W-SS	22" duct cover (included at N/C w/ hood order)	N/C	N/C
PH-28-WRAN-__-W-SS	28" duct cover (included at N/C w/ hood order)	N/C	N/C
PH-34-WRAN-__-W-SS	34" duct cover (included at N/C w/ hood order)	N/C	N/C
PH-40-WRAN-__-W-SS	40" duct cover (included at N/C w/ hood order)	N/C	N/C
PH-46-WRAN-__-W-SS	48" duct cover (included at N/C w/ hood order)	N/C	N/C

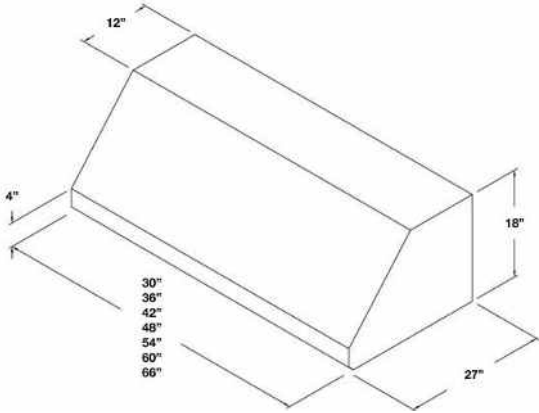
BLOWER OPTIONS AND ADDITIONAL ACCESSORIES: (Refer to page 86)

NOTE: BRUSHED STAINLESS STEEL STRAPPING & RIVETS ARE AVAILABLE AT NO ADDITIONAL CHARGE. MUST BE SPECIFIED ON ORDER. STRAPPING & RIVETS IN DIFFERENT FINISHES OR LAYOUTS REQUIRE A CUSTOM QUOTE.

BLOWER OPTIONS								
	IN-HOOD		IN-LINE		REMOTE		DISCHARGE Must Specify at Order	
CFM POWER	600	1200	600	1200	1000	1400	TOP	REAR
MODEL #	PH-CFM-600	PH-CFM-1200	PH-INLB600	PH-INBL1200	PH-1000CFMR	PH-1400CFMR		
UMRP	\$695	\$995	\$1,095	\$1,345	\$1,345	\$1,445		
WRAN-30-SS	•		•	•	•	•	•	•
WRAN-36-SS	•		•	•	•	•	•	•
WRAN-42-SS	•	•	•	•	•	•	•	•
WRAN-48-SS	•	•	•	•	•	•	•	•
WRAN-54-SS	•	•	•	•	•	•	•	•
WRAN-60-SS	•	•	•	•	•	•	•	•
WRAN-66-SS	•	•	•	•	•	•	•	•
•	Denotes blower compatible with specific ventilation hood size. Abbaka designated blowers <u>are not compatible</u> with this ventilation hood.							

REQUEST A CUSTOM QUOTE
at quote@bluestarcooking.com

VENTILATION: DESIGNER SERIES INCLINE BBQ



Model	Description	UMRP	MSRP
INBQ-30-SS	30" Incline	\$1,995	\$2,295
INBQ-36-SS	36" Incline	\$2,095	\$2,410
INBQ-42-SS	42" Incline	\$2,195	\$2,525
INBQ-48-SS	48" Incline	\$2,295	\$2,640
INBQ-54-SS	54" Incline	\$3,395	\$3,905
INBQ-60-SS	60" Incline	\$3,495	\$4,020
INBQ-66-SS	66" Incline	\$3,595	\$4,135
COLOR OPTIONS: (Refer to page 86 for additional color options)			
PAINT STD RAL 24-36	Standard 190 RAL Colors	\$650	\$715
PAINT STD RAL 42-66	Standard 190 RAL Colors	\$850	\$975
PAINT PM 24-36	Precious Metals Colors (Includes Matte Black & Infused Copper)	\$1,250	\$1,445
PAINT PM 42-66	Precious Metals Colors (Includes Matte Black & Infused Copper)	\$1,450	\$1,665
DUCT COVERS FOR INCLINE HOODS:			
Refer to page 87 for all Incline hood duct cover options Available duct cover heights: 6", 12", 18", 24", 30", 36", 42" & 48"			
BLOWER OPTIONS AND ADDITIONAL ACCESSORIES: (Refer to page 86)			

FEATURES:

- Handcrafted seamless construction with 16 gauge material
- Commercial style stainless steel baffle filter system
- 3-speed blower/variable light control
- Accommodates top or rear discharge
- High heat sensor
- Transition or collar included

CUSTOMIZATION OPTIONS:

- 750+ Colors & Finishes
- Designer Metals

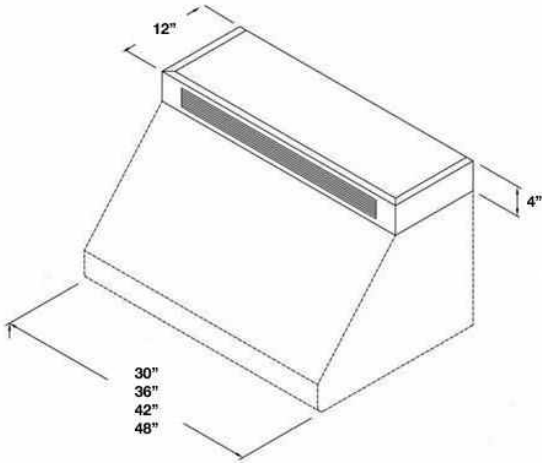


REQUEST A QUOTE

quote@bluestarcooking.com

BLOWER OPTIONS								
	IN-HOOD		IN-LINE		REMOTE		DISCHARGE	
CFM POWER	600	1200	600	1200	1000	1400	TOP	REAR
MODEL #	PH-CFM-600	PH-CFM-1200	PH-INLB600	PH-INBL1200	PH-1000CFMR	PH-1400CFMR		
UMRP	\$695	\$995	\$1,095	\$1,345	\$1,345	\$1,445		
INBQ-30-SS	•	•	•	•	•	•	•	•
INBQ-36-SS	•	•	•	•	•	•	•	•
INBQ-42-SS	•	•	•	•	•	•	•	•
INBQ-48-SS	•	•	•	•	•	•	•	•
INBQ-54-SS	•	•	•	•	•	•	•	•
INBQ-60-SS	•	•	•	•	•	•	•	•
INBQ-66-SS	•	•	•	•	•	•	•	•
•	Denotes blower compatible with specific ventilation hood size. Abbaka designated blowers <u>are not compatible</u> with this ventilation hood.							

VENTILATION: PROFESSIONAL SERIES PRO RECIRCULATING KITS

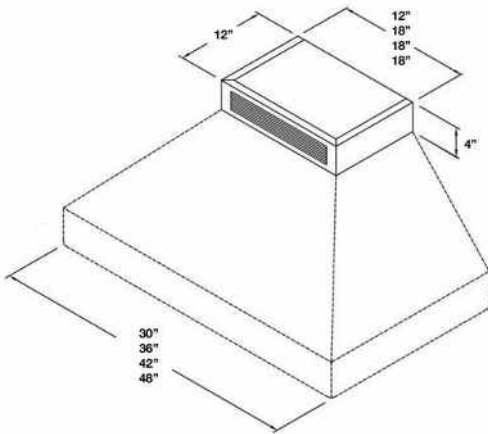


Model	Description	UMRP	MSRP
PH-RHKP-30-SS	30" Recirculating Kit	\$895	\$1,030
PH-RHKP-36-SS	36" Recirculating Kit	\$945	\$1,085
PH-RHKP-42-SS	42" Recirculating Kit	\$995	\$1,145
PH-RHKP-48-SS	48" Recirculating Kit	\$1,045	\$1,200

FEATURES:

- Seamed construction
- Includes charcoal filter
- Stainless steel finish
- Use only with 600 CFM In-hood fan – *Sold separately*
- Compatible with Bonanza and Incline style hoods only

VENTILATION: PROFESSIONAL SERIES CHIMNEY RECIRCULATING KITS



Model	Description	UMRP	MSRP
PH-RHCK-30-SS	30" Chimney Recirculating Kit	\$895	\$1,030
PH-RHCK-36-SS	36" Chimney Recirculating Kit	\$945	\$1,085
PH-RHCK-42-SS	42" Chimney Recirculating Kit	\$945	\$1,085
PH-RHCK-48-SS	48" Chimney Recirculating Kit	\$945	\$1,085

FEATURES:

- Seamed construction
- Includes charcoal filter
- Stainless steel finish
- Use only with 600 CFM In-hood fan - *Sold separately*
- Compatible with Hampton, Laramie and Laredo hoods only

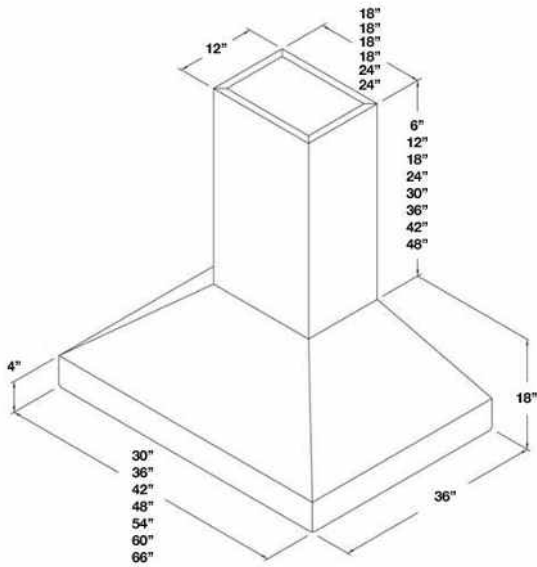


VENTILATION: ISLAND SERIES

Get the Look: 60" Nova Series Range with Griddle & Charbroiler with 66" Manhattan Island Ventilation Hood

VENTILATION: DESIGNER SERIES HAMPTON ISLAND HOOD

REQUEST A CUSTOM QUOTE
at quote@bluestarcooking.com



FEATURES:

- Commercial grade stainless steel construction
- Welded seamless corners
- Commercial style stainless steel baffle filter system
- 3-speed blower/variable light control
- 30" & 36" models: 600 CFM internal fan included *(Must be included on order)*
- Included duct cover heights: 6", 12", 18", 24" & 30". Must be specified on order.
- Accommodates top discharge only
- Remote and In-line fans available
- Transition or collar included

CUSTOMIZATION OPTIONS:

- 750+ Colors & Finishes
- Designer Metals
- Custom strapping & rivets
- Full custom options

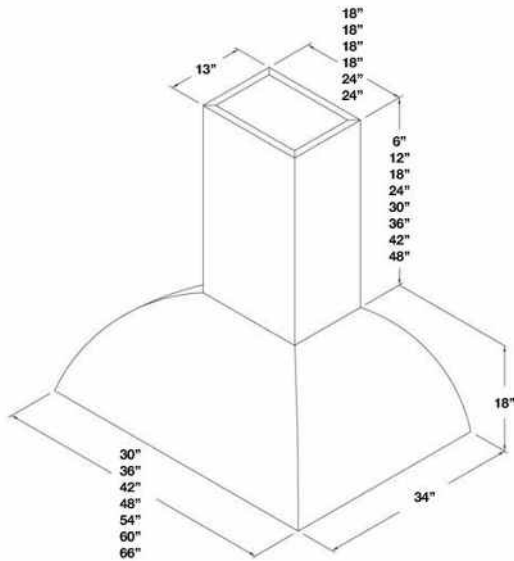


REQUEST A QUOTE

quote@bluestarcooking.com

Model	Description	UMRP	MSRP
BS-HAMPI30SS	30" Hampton Island w/ 600 CFM Blower	\$4,745	\$5,455
BS-HAMPI36SS	36" Hampton Island w/ 600 CFM Blower	\$4,795	\$5,515
BS-HAMPI42SS	42" Hampton Island	\$4,845	\$5,570
BS-HAMPI48SS	48" Hampton Island	\$4,895	\$5,630
BS-HAMPI54SS	54" Hampton Island	\$4,995	\$5,745
BS-HAMPI60SS	60" Hampton Island	\$5,045	\$5,800
BS-HAMPI66SS	66" Hampton Island	\$5,245	\$6,030
COLOR OPTIONS: (Refer to page 86 for additional color options)			
PAINT STD RAL 24-36	Standard 190 RAL Colors	\$650	\$715
PAINT STD RAL 42-66	Standard 190 RAL Colors	\$850	\$975
PAINT PM 24-36	Precious Metals Colors (Includes Matte Black & Infused Copper)	\$1,250	\$1,445
PAINT PM 42-66	Precious Metals Colors (Includes Matte Black & Infused Copper)	\$1,450	\$1,665
INCLUDED DUCT COVER SIZES: (Refer to page 92 for additional duct cover options)			
Duct cover included at no charge but must be specified on order. "___" denotes hood width. UMRP price below is if purchased separately.			
PH-DC6CHIM__ISS	6" duct cover (included at N/C w/ hood order)	\$795	\$915
PH-DC12CHIM__ISS	12" duct cover (included at N/C w/ hood order)	\$845	\$970
PH-DC18CHIM__ISS	18" duct cover (included at N/C w/ hood order)	\$945	\$1,085
PH-DC24CHIM__ISS	24" duct cover (included at N/C w/ hood order)	\$995	\$1,145
PH-DC30CHIM__ISS	30" duct cover (included at N/C w/ hood order)	\$1,195	\$1,375
BLOWER OPTIONS AND ADDITIONAL ACCESSORIES: (Refer to page 86)			

BLOWER OPTIONS								
	IN-HOOD		IN-LINE		REMOTE		DISCHARGE	
CFM POWER	600	1200	600	1200	1000	1400	TOP	REAR
MODEL #	PH-CFM-600	PH-CFM-1200	PH-INLB600	PH-INBL1200	PH-1000CFMR	PH-1400CFMR		
UMRP	\$695	\$995	\$1,095	\$1,345	\$1,345	\$1,445		
BS-HAMPI30SS	•		•	•	•	•	•	
BS-HAMPI36SS	•	•	•	•	•	•	•	
BS-HAMPI42SS	•	•	•	•	•	•	•	
BS-HAMPI48SS	•	•	•	•	•	•	•	
BS-HAMPI54SS	•	•	•	•	•	•	•	
BS-HAMPI60SS	•	•	•	•	•	•	•	
BS-HAMPI66SS	•	•	•	•	•	•	•	
•	Denotes blower compatible with specific ventilation hood size. Abbaka designated blowers <u>are not compatible</u> with this ventilation hood.							



FEATURES:

- Commercial grade stainless steel construction
- Welded seamless corners
- Commercial style stainless steel baffle filter system
- 3-speed blower/variable light control
- 30" & 36" models: 600 CFM internal fan included (*Must be included on order*)
- Included duct cover heights: 6", 12", 18", 24" or 30". Must be specified on order.
- Accommodates top discharge only
- Remote and In-line fans available
- Transition or collar included

CUSTOMIZATION OPTIONS:

- 750+ Colors & Finishes
- Designer Metals
- Custom strapping & rivets
- Full custom options



REQUEST A QUOTE

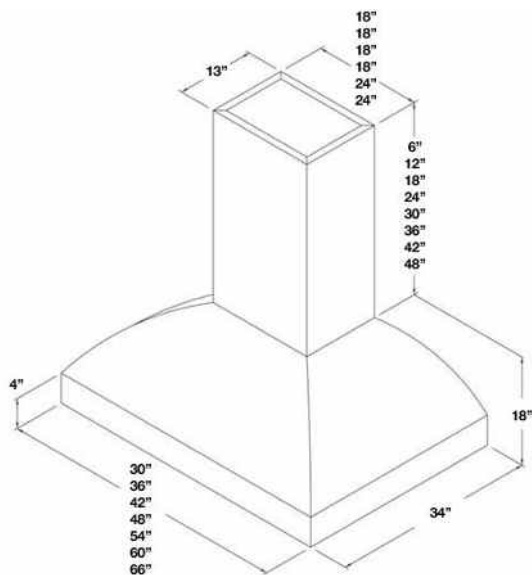
quote@bluestarcooking.com

Model	Description	UMRP	MSRP
LARA-I-30-SS	30" Laramie Island w/ 600 CFM Blower	\$4,395	\$5,055
LARA-I-36-SS	36" Laramie Island w/ 600 CFM Blower	\$4,495	\$5,170
LARA-I-42-SS	42" Laramie Island	\$4,595	\$5,285
LARA-I-48-SS	48" Laramie Island	\$4,695	\$5,400
LARA-I-54-SS	54" Laramie Island	\$4,795	\$5,515
LARA-I-60-SS	60" Laramie Island	\$4,895	\$5,630
LARA-I-66-SS	66" Laramie Island	\$4,995	\$5,745
COLOR OPTIONS: (Refer to page 86 for additional color options)			
PAINT STD RAL 24-36	Standard 190 RAL Colors	\$650	\$715
PAINT STD RAL 42-66	Standard 190 RAL Colors	\$850	\$975
PAINT PM 24-36	Precious Metals Colors (Includes Matte Black & Infused Copper)	\$1,250	\$1,445
PAINT PM 42-66	Precious Metals Colors (Includes Matte Black & Infused Copper)	\$1,450	\$1,665
INCLUDED DUCT COVER SIZES: (Refer to page 92 for additional duct cover options)			
Duct cover included at no charge but must be specified on order. "___" denotes hood width. UMRP price below is if purchased separately.			
PH-DC6CHIM__ISS	6" duct cover (included at N/C w/ hood order)	\$795	\$915
PH-DC12CHIM__ISS	12" duct cover (included at N/C w/ hood order)	\$845	\$970
PH-DC18CHIM__ISS	18" duct cover (included at N/C w/ hood order)	\$945	\$1,085
PH-DC24CHIM__ISS	24" duct cover (included at N/C w/ hood order)	\$995	\$1,145
PH-DC30CHIM__ISS	30" duct cover (included at N/C w/ hood order)	\$1,195	\$1,375
BLOWER OPTIONS AND ADDITIONAL ACCESSORIES: (Refer to page 86)			

BLOWER OPTIONS								
	IN-HOOD		IN-LINE		REMOTE		DISCHARGE	
CFM POWER	600	1200	600	1200	1000	1400	TOP	REAR
MODEL #	PH-CFM-600	PH-CFM-1200	PH-INLB600	PH-INBL1200	PH-1000CFMR	PH-1400CFMR		
UMRP	\$695	\$995	\$1,095	\$1,345	\$1,345	\$1,445		
LARA-I-30-SS	•		•	•	•	•	•	
LARA-I-36-SS	•	•	•	•	•	•	•	
LARA-I-42-SS	•	•	•	•	•	•	•	
LARA-I-48-SS	•	•	•	•	•	•	•	
LARA-I-54-SS	•	•	•	•	•	•	•	
LARA-I-60-SS	•	•	•	•	•	•	•	
LARA-I-66-SS	•	•	•	•	•	•	•	
•	Denotes blower compatible with specific ventilation hood size. Abbaka designated blowers <u>are not compatible</u> with this ventilation hood.							

VENTILATION: DESIGNER SERIES LAREDO ISLAND HOOD

REQUEST A CUSTOM QUOTE
at quote@bluestarcooking.com



FEATURES:

- Commercial grade stainless steel construction
- Welded seamless corners
- Commercial style stainless steel baffle filter system
- 3-speed blower/variable light control
- 30" & 36" models: 600 CFM internal fan included (*Must be included on order*)
- Included duct cover heights: 6", 12", 18", 24" or 30". Must be specified on order.
- Accommodates top discharge only
- Remote and In-line fans available
- Transition or collar included

CUSTOMIZATION OPTIONS:

- 750+ Colors & Finishes
- Designer Metals
- Custom strapping & rivets
- Full custom options

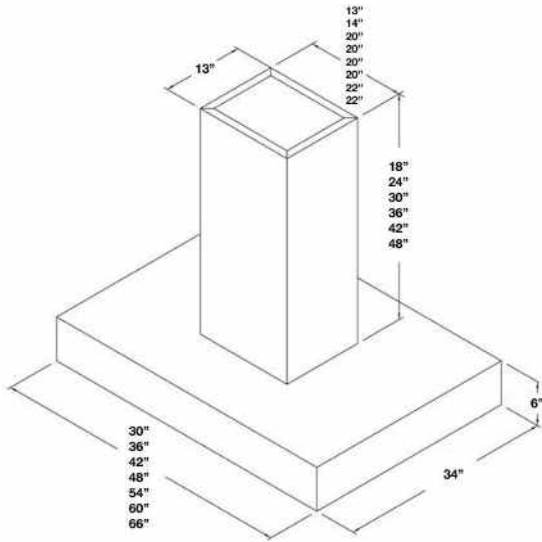


REQUEST A QUOTE

quote@bluestarcooking.com

Model	Description	UMRP	MSRP
LARE-I-30-SS	30" Laredo w/ 600 CFM Blower	\$4,695	\$5,400
LARE-I-36-SS	36" Laredo w/ 600 CFM Blower	\$4,795	\$5,515
LARE-I-42-SS	42" Laredo	\$4,895	\$5,630
LARE-I-48-SS	48" Laredo	\$4,995	\$5,745
LARE-I-54-SS	54" Laredo	\$5,095	\$5,860
LARE-I-60-SS	60" Laredo	\$5,195	\$5,975
LARE-I-66-SS	66" Laredo	\$5,295	\$6,090
COLOR OPTIONS: (Refer to page 86 for additional color options)			
PAINT STD RAL 24-36	Standard 190 RAL Colors	\$650	\$715
PAINT STD RAL 42-66	Standard 190 RAL Colors	\$850	\$975
PAINT PM 24-36	Precious Metals Colors (Includes Matte Black & Infused Copper)	\$1,250	\$1,445
PAINT PM 42-66	Precious Metals Colors (Includes Matte Black & Infused Copper)	\$1,450	\$1,665
INCLUDED DUCT COVER SIZES: (Refer to page 92 for additional duct cover options)			
Duct cover included at no charge but must be specified on order. "___" denotes hood width. UMRP price below is if purchased separately.			
PH-DC6CHIM__ISS	6" duct cover (included at N/C w/ hood order)	\$795	\$915
PH-DC12CHIM__ISS	12" duct cover (included at N/C w/ hood order)	\$845	\$970
PH-DC18CHIM__ISS	18" duct cover (included at N/C w/ hood order)	\$945	\$1,085
PH-DC24CHIM__ISS	24" duct cover (included at N/C w/ hood order)	\$995	\$1,145
PH-DC30CHIM__ISS	30" duct cover (included at N/C w/ hood order)	\$1,195	\$1,375
BLOWER OPTIONS AND ADDITIONAL ACCESSORIES: (Refer to page 86)			

BLOWER OPTIONS								
	IN-HOOD		IN-LINE		REMOTE		DISCHARGE	
CFM POWER	600	1200	600	1200	1000	1400	TOP	REAR
MODEL #	PH-CFM-600	PH-CFM-1200	PH-INLB600	PH-INBL1200	PH-1000CFMR	PH-1400CFMR		
UMRP	\$695	\$995	\$1,095	\$1,345	\$1,345	\$1,445		
LARE-I-30-SS	•		•	•	•	•	•	
LARE-I-36-SS	•	•	•	•	•	•	•	
LARE-I-42-SS	•	•	•	•	•	•	•	
LARE-I-48-SS	•	•	•	•	•	•	•	
LARE-I-54-SS	•	•	•	•	•	•	•	
LARE-I-60-SS	•	•	•	•	•	•	•	
LARE-I-66-SS	•	•	•	•	•	•	•	
•	Denotes blower compatible with specific ventilation hood size. Abbaka designated blowers <u>are not compatible</u> with this ventilation hood.							



FEATURES:

- Commercial grade stainless steel construction
- Welded seamless corners
- Commercial style stainless steel baffle filter system
- 3-speed blower/variable light control
- 30" & 36" models: 600 CFM internal fan included *(Must be included on order)*
- Accommodates top discharge only
- Included duct cover heights: 18", 24", 30" & 36" *(Must be specified on order.)*
- Remote and In-line fans available

CUSTOMIZATION OPTIONS:

- 750+ Colors & Finishes
- Designer Metals
- Custom strapping & rivets
- Full custom options



REQUEST A QUOTE

quote@bluestarcooking.com

Model	Description	UMRP	MSRP
BS-MANH-I-30-SS	30" Manhattan Island w/ 600 CFM Blower	\$3,845	\$4,420
BS-MANH-I-36-SS	36" Manhattan Island w/ 600 CFM Blower	\$3,945	\$4,535
BS-MANH-I-42-SS	42" Manhattan Island	\$3,995	\$4,595
BS-MANH-I-48-SS	48" Manhattan Island	\$4,045	\$4,650
BS-MANH-I-54-SS	54" Manhattan Island	\$4,145	\$4,765
BS-MANH-I-60-SS	60" Manhattan Island	\$4,195	\$4,825
BS-MANH-I-66-SS	66" Manhattan Island	\$4,395	\$4,825

COLOR OPTIONS: (Refer to page 86 for additional color options)

PAINT STD RAL 24-36	Standard 190 RAL Colors	\$650	\$715
PAINT STD RAL 42-66	Standard 190 RAL Colors	\$850	\$975
PAINT PM 24-36	Precious Metals Colors (Includes Matte Black & Infused Copper)	\$1,250	\$1,445
PAINT PM 42-66	Precious Metals Colors (Includes Matte Black & Infused Copper)	\$1,450	\$1,665

INCLUDED DUCT COVER SIZES: (Refer to page 91 for additional duct cover options)

Requires use of fan housing included. 18", 24", 30" & 36" duct covers are included, please specify on order. UMRP price below is if purchased separately.

PH-DC18MANH__ISS	18" High Duct Cover (Included)	\$545	\$625
PH-DC24MANH__ISS	24" High Duct Cover (Included)	\$595	\$685
PH-DC30MANH__ISS	30" High Duct Cover (Included)	\$645	\$740
PH-DC36MANH__ISS	36" High Duct Cover (Included)	\$745	\$855

BLOWER OPTIONS AND ADDITIONAL ACCESSORIES: (Refer to page 86)

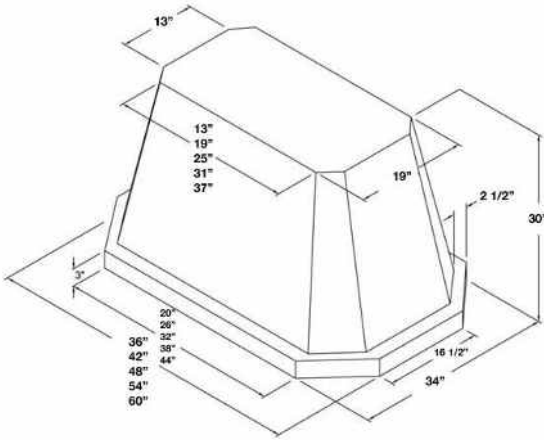
NOTE: HOOD MUST BE MOUNTED TO CEILING AND CEILING ACCESS MAY BE REQUIRED. PLEASE REFERENCE THE INSTALLATION MANUAL ON BLUESTARCOOKING.COM FOR DETAILS

NOTE: MUST ORDER DUCT COVER FOR BLOWER & MOUNTING PURPOSES. MINIMUM 18" HIGH

BLOWER OPTIONS								
	IN-HOOD		IN-LINE		REMOTE		DISCHARGE	
CFM POWER	600	1200	600	1200	1000	1400	TOP	REAR
MODEL #	PH-CFM-600	PH-CFM-1200	PH-INLB600	PH-INBL1200	PH-1000CFMR	PH-1400CFMR		
UMRP	\$695	\$995	\$1,095	\$1,345	\$1,345	\$1,445		
BS-MANH-I-30-SS	•		•	•	•	•	•	
BS-MANH-I-36-SS	•		•	•	•	•	•	
BS-MANH-I-42-SS	•	•	•	•	•	•	•	
BS-MANH-I-48-SS	•	•	•	•	•	•	•	
BS-MANH-I-54-SS	•	•	•	•	•	•	•	
BS-MANH-I-60-SS	•	•	•	•	•	•	•	
BS-MANH-I-66-SS	•	•	•	•	•	•	•	
•	Denotes blower compatible with specific ventilation hood size. Abbaka designated blowers <u>are not compatible</u> with this ventilation hood.							

REQUEST A CUSTOM QUOTE
at quote@bluestarcooking.com

VENTILATION: DESIGNER SERIES PONDEROSA ISLAND HOOD



Model	Description	UMRP	MSRP
POND-I-36-SS	36" Ponderosa Island	\$9,195	\$10,575
POND-I-42-SS	42" Ponderosa Island	\$9,295	\$10,690
POND-I-48-SS	48" Ponderosa Island	\$9,395	\$10,805
POND-I-54-SS	54" Ponderosa Island	\$9,595	\$11,035
POND-I-60-SS	60" Ponderosa Island	\$9,695	\$11,150
COLOR OPTIONS: (Refer to page 86 for additional color options)			
PAINT STD RAL 24-36	Standard 190 RAL Colors	\$650	\$715
PAINT STD RAL 42-66	Standard 190 RAL Colors	\$850	\$975
PAINT PM 24-36	Precious Metals Colors (Includes Matte Black & Infused Copper)	\$1,250	\$1,445
PAINT PM 42-66	Precious Metals Colors (Includes Matte Black & Infused Copper)	\$1,450	\$1,665
BLOWER OPTIONS AND ADDITIONAL ACCESSORIES: (Refer to page 86)			

FEATURES:

- Commercial grade stainless steel construction
- Commercial style stainless steel baffle filter system
- 3-speed blower/variable light control
- Accommodates top discharge only
- High heat sensor
- Transition or collar included

CUSTOMIZATION OPTIONS:

- 750+ Colors & Finishes
- Designer Metals
- Custom strapping & rivets
- Full custom options



REQUEST A QUOTE

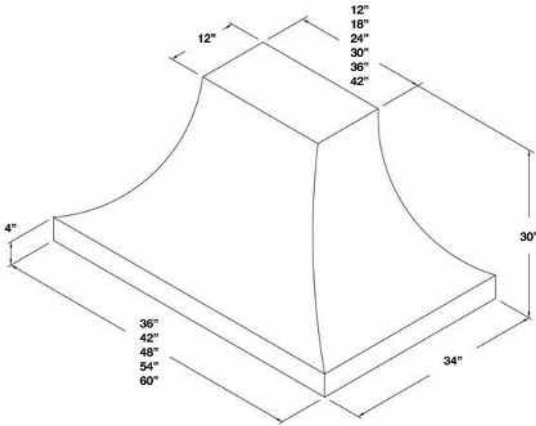
quote@bluestarcooking.com

BLOWER OPTIONS								
	IN-HOOD		IN-LINE		REMOTE		DISCHARGE	
CFM POWER	600	1200	600	1200	1000	1400	TOP	REAR
MODEL #	PH-CFM-600	PH-CFM-1200	PH-INLB600	PH-INBL1200	PH-1000CFMR	PH-1400CFMR		
UMRP	\$695	\$995	\$1,095	\$1,345	\$1,345	\$1,445		
POND-I-36-SS	•		•	•	•	•	•	
POND-I-42-SS	•	•	•	•	•	•	•	
POND-I-48-SS	•	•	•	•	•	•	•	
POND-I-54-SS	•	•	•	•	•	•	•	
POND-I-60-SS	•	•	•	•	•	•	•	
•	Denotes blower compatible with specific ventilation hood size. Abbaka designated blowers <u>are not compatible</u> with this ventilation hood.							

VENTILATION: DESIGNER SERIES

SAHARA CURVED SIDES ISLAND HOOD

REQUEST A CUSTOM QUOTE
at quote@bluestarcooking.com



Model	Description	UMRP	MSRP
SACS-I-36-SS	36" Sahara Curved Sides Island	\$8,695	\$10,000
SACS-I-42-SS	42" Sahara Curved Sides Island	\$8,795	\$10,115
SACS-I-48-SS	48" Sahara Curved Sides Island	\$8,895	\$10,230
SACS-I-54-SS	54" Sahara Curved Sides Island	\$9,095	\$10,460
SACS-I-60-SS	60" Sahara Curved Sides Island	\$9,195	\$10,575
COLOR OPTIONS: (Refer to page 86 for additional color options)			
PAINT STD RAL 24-36	Standard 190 RAL Colors	\$650	\$715
PAINT STD RAL 42-66	Standard 190 RAL Colors	\$850	\$975
PAINT PM 24-36	Precious Metals Colors (Includes Matte Black & Infused Copper)	\$1,250	\$1,445
PAINT PM 42-66	Precious Metals Colors (Includes Matte Black & Infused Copper)	\$1,450	\$1,665
BLOWER OPTIONS AND ADDITIONAL ACCESSORIES: (Refer to page 86)			

FEATURES:

- Commercial grade stainless steel construction
- Commercial style stainless steel baffle filter system
- 3-speed blower/variable light control
- Accommodates top discharge only
- High heat sensor
- Transition or collar included

CUSTOMIZATION OPTIONS:

- 750+ Colors & Finishes
- Designer Metals
- Custom strapping & rivets
- Full custom options



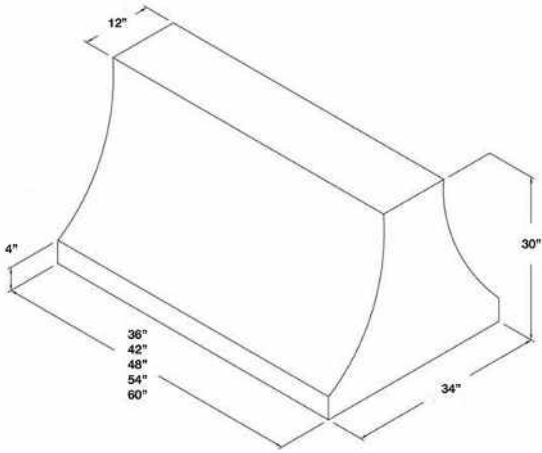
REQUEST A QUOTE

quote@bluestarcooking.com

BLOWER OPTIONS								
	IN-HOOD		IN-LINE		REMOTE		DISCHARGE	
CFM POWER	600	1200	600	1200	1000	1400	TOP	REAR
MODEL #	PH-CFM-600	PH-CFM-1200	PH-INLB600	PH-INBL1200	PH-1000CFMR	PH-1400CFMR		
UMRP	\$695	\$995	\$1,095	\$1,345	\$1,345	\$1,445		
SACS-I-36-SS	•		•	•	•	•	•	
SACS-I-42-SS	•	•	•	•	•	•	•	
SACS-I-48-SS	•	•	•	•	•	•	•	
SACS-I-54-SS	•	•	•	•	•	•	•	
SACS-I-60-SS	•	•	•	•	•	•	•	
•	Denotes blower compatible with specific ventilation hood size. Abbaka designated blowers <u>are not compatible</u> with this ventilation hood.							

REQUEST A CUSTOM QUOTE
at quote@bluestarcooking.com

VENTILATION: DESIGNER SERIES SAHARA FLAT SIDES ISLAND HOOD



Model	Description	UMRP	MSRP
SAHA-I-36-SS	36" Sahara Flat Sides Island	\$7,995	\$9,195
SAHA-I-42-SS	42" Sahara Flat Sides Island	\$8,095	\$9,310
SAHA-I-48-SS	48" Sahara Flat Sides Island	\$8,195	\$9,425
SAHA-I-54-SS	54" Sahara Flat Sides Island	\$8,295	\$9,540
SAHA-I-60-SS	60" Sahara Flat Sides Island	\$8,395	\$9,655
COLOR OPTIONS: (Refer to page 86 for additional color options)			
PAINT STD RAL 24-36	Standard 190 RAL Colors	\$650	\$715
PAINT STD RAL 42-66	Standard 190 RAL Colors	\$850	\$975
PAINT PM 24-36	Precious Metals Colors (Includes Matte Black & Infused Copper)	\$1,250	\$1,445
PAINT PM 42-66	Precious Metals Colors (Includes Matte Black & Infused Copper)	\$1,450	\$1,665
BLOWER OPTIONS AND ADDITIONAL ACCESSORIES: (Refer to page 86)			

FEATURES:

- Commercial grade stainless steel construction
- Commercial style stainless steel baffle filter system
- 3-speed blower/variable light control
- Accommodates top discharge only
- High heat sensor
- Transition or collar included

CUSTOMIZATION OPTIONS:

- 750+ Colors & Finishes
- Designer Metals
- Custom strapping & rivets
- Full custom options



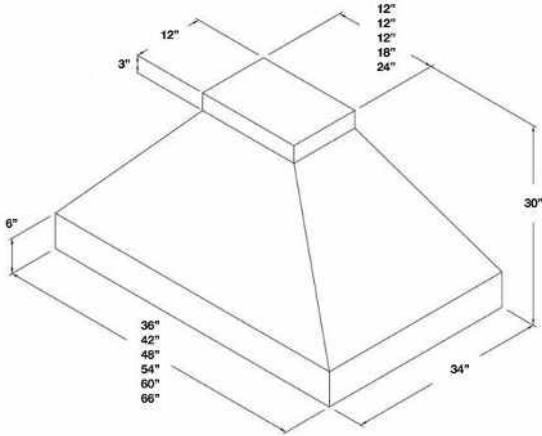
REQUEST A QUOTE

quote@bluestarcooking.com

BLOWER OPTIONS								
	IN-HOOD		IN-LINE		REMOTE		DISCHARGE Must Specify at Order	
CFM POWER	600	1200	600	1200	1000	1400	TOP	REAR
MODEL #	PH-CFM-600	PH-CFM-1200	PH-INLB600	PH-INBL1200	PH-1000CFMR	PH-1400CFMR		
UMRP	\$695	\$995	\$1,095	\$1,345	\$1,345	\$1,445		
SAHA-I-36-SS	•	•	•	•	•	•	•	
SAHA-I-42-SS	•	•	•	•	•	•	•	
SAHA-I-48-SS	•	•	•	•	•	•	•	
SAHA-I-54-SS	•	•	•	•	•	•	•	
SAHA-I-60-SS	•	•	•	•	•	•	•	
•	Denotes blower compatible with specific ventilation hood size. Abbaka designated blowers <u>are not compatible</u> with this ventilation hood.							

VENTILATION: DESIGNER SERIES SILVERADO ISLAND HOOD

REQUEST A CUSTOM QUOTE
at quote@bluestarcooking.com



Model	Description	UMRP	MSRP
SILV-I-36-SS	36" Silverado Island	\$8,595	\$9,885
SILV-I-42-SS	42" Silverado Island	\$8,695	\$10,000
SILV-I-48-SS	48" Silverado Island	\$8,795	\$10,115
SILV-I-54-SS	54" Silverado Island	\$8,895	\$10,230
SILV-I-60-SS	60" Silverado Island	\$8,995	\$10,345
COLOR OPTIONS: (Refer to page 86 for additional color options)			
PAINT STD RAL 24-36	Standard 190 RAL Colors	\$650	\$715
PAINT STD RAL 42-66	Standard 190 RAL Colors	\$850	\$975
PAINT PM 24-36	Precious Metals Colors (Includes Matte Black & Infused Copper)	\$1,250	\$1,445
PAINT PM 42-66	Precious Metals Colors (Includes Matte Black & Infused Copper)	\$1,450	\$1,665
BLOWER OPTIONS AND ADDITIONAL ACCESSORIES: (Refer to page 86)			

FEATURES:

- Commercial grade stainless steel construction
- Commercial style stainless steel baffle filter system
- 3-speed blower/variable light control
- Accommodates top discharge only
- High heat sensor
- Transition or collar included

CUSTOMIZATION OPTIONS:

- 750+ Colors & Finishes
- Designer Metals
- Custom strapping & rivets
- Full custom options



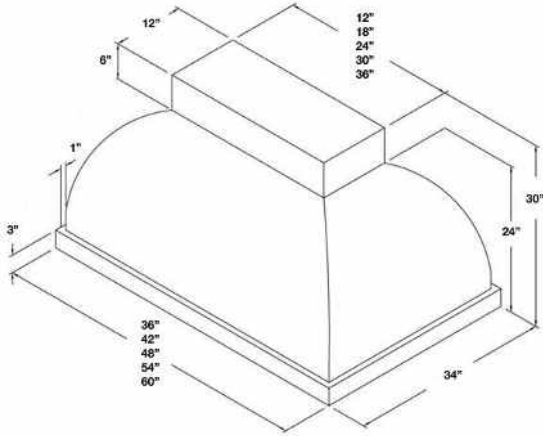
REQUEST A QUOTE

quote@bluestarcooking.com

BLOWER OPTIONS								
	IN-HOOD		IN-LINE		REMOTE		DISCHARGE	
CFM POWER	600	1200	600	1200	1000	1400	TOP	REAR
MODEL #	PH-CFM-600	PH-CFM-1200	PH-INLB600	PH-INBL1200	PH-1000CFMR	PH-1400CFMR		
UMRP	\$695	\$995	\$1,095	\$1,345	\$1,345	\$1,445		
SILV-I-30-SS	•	•	•	•	•	•	•	
SILV-I-36-SS	•	•	•	•	•	•	•	
SILV-I-42-SS	•	•	•	•	•	•	•	
SILV-I-48-SS	•	•	•	•	•	•	•	
SILV-I-54-SS	•	•	•	•	•	•	•	
•	Denotes blower compatible with specific ventilation hood size. Abbaka designated blowers <u>are not compatible</u> with this ventilation hood.							

REQUEST A CUSTOM QUOTE
at quote@bluestarcooking.com

VENTILATION: DESIGNER SERIES TAHOE ISLAND HOOD



Model	Description	UMRP	MSRP
TAHO-I-36-SS	36" Tahoe Island	\$10,495	\$12,070
TAHO-I-42-SS	42" Tahoe Island	\$10,595	\$12,185
TAHO-I-48-SS	48" Tahoe Island	\$10,695	\$12,300
TAHO-I-54-SS	54" Tahoe Island	\$10,895	\$12,530
TAHO-I-60-SS	60" Tahoe Island	\$11,095	\$12,760
COLOR OPTIONS: (Refer to page 86 for additional color options)			
PAINT STD RAL 24-36	Standard 190 RAL Colors	\$650	\$715
PAINT STD RAL 42-66	Standard 190 RAL Colors	\$850	\$975
PAINT PM 24-36	Precious Metals Colors (Includes Matte Black & Infused Copper)	\$1,250	\$1,445
PAINT PM 42-66	Precious Metals Colors (Includes Matte Black & Infused Copper)	\$1,450	\$1,665
BLOWER OPTIONS AND ADDITIONAL ACCESSORIES: (Refer to page 86)			

FEATURES:

- Commercial grade stainless steel construction
- Commercial style stainless steel baffle filter system
- 3-speed blower/variable light control
- Accommodates top discharge only
- High heat sensor
- Transition or collar included

CUSTOMIZATION OPTIONS:

- 750+ Colors & Finishes
- Designer Metals
- Custom strapping & rivets
- Full custom options



REQUEST A QUOTE

quote@bluestarcooking.com

BLOWER OPTIONS								
	IN-HOOD		IN-LINE		REMOTE		DISCHARGE	
CFM POWER	600	1200	600	1200	1000	1400	TOP	REAR
MODEL #	PH-CFM-600	PH-CFM-1200	PH-INLB600	PH-INBL1200	PH-1000CFMR	PH-1400CFMR		
UMRP	\$695	\$995	\$1,095	\$1,345	\$1,345	\$1,445		
TAHO-I-36-SS	•	•	•	•	•	•	•	
TAHO-I-42-SS	•	•	•	•	•	•	•	
TAHO-I-48-SS	•	•	•	•	•	•	•	
TAHO-I-54-SS	•	•	•	•	•	•	•	
TAHO-I-60-SS	•	•	•	•	•	•	•	
•	Denotes blower compatible with specific ventilation hood size. Abbaka designated blowers <u>are not compatible</u> with this ventilation hood.							

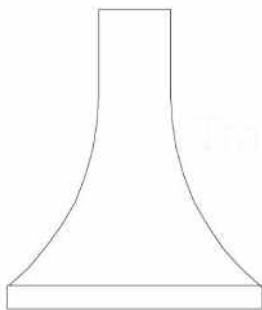


VENTILATION: ABAKA SERIES

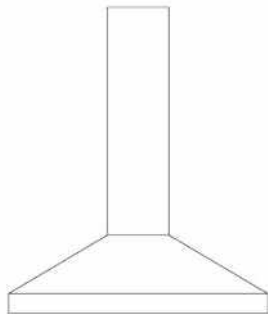
Get the Look: 60" Custom Island Ventilation Hood from Abbaka

ABBAKA

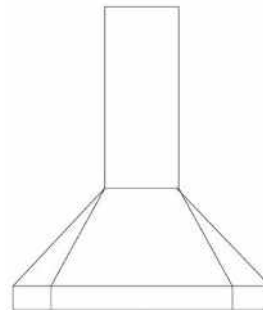
The Abbaka Series features a full line of wall and island ventilation hoods that are completely customizable in size and shape. From 750+ colors and finishes to a collection of designer metals the only limit is your imagination. Additionally these hoods are compatible with the HY-EX Remote Blower system which is a highly efficient and quiet ventilation option for your home. Contact us for a custom quote today at quote@bluestarcooking.com



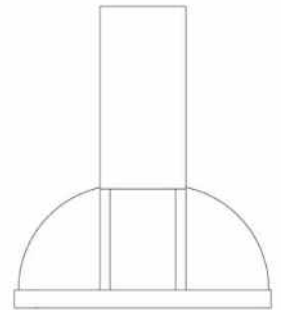
Arc Form



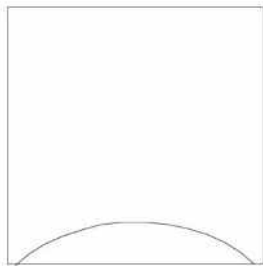
Original



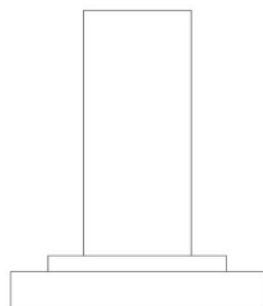
Facets



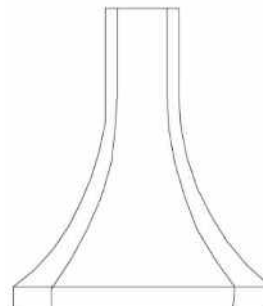
Classic



Cylindra



Empire

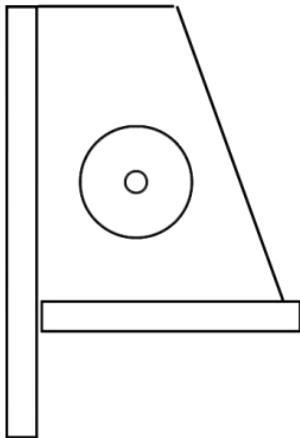


Gemstone



REQUEST A QUOTE
quote@bluestarcooking.com

VENTILATION: ABBAKA SERIES XL PROFESSIONAL WALL LINERS (IN-HOOD BLOWERS)

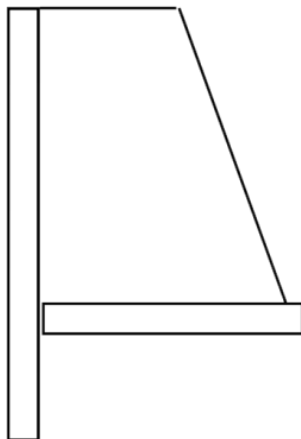


- Available in top or rear discharge
- Transition or starter collar included for install
- Refer to page 86 for blower pricing and additional accessories

600 CFM		DUCT SIZE: 8"			
MODEL NUMBER	WIDTH	DEPTH	HEIGHT	UMRP	MSRP
VW – 03624 – IN.6	34 1/8"	22 1/8"	16"	\$2,785	\$3,050
VW – 04224 – IN.6	40 1/8"	22 1/8"	16"	\$3,050	\$3,355
VW – 04824 – IN.6	46 1/8"	22 1/8"	16"	\$3,330	\$3,645
Compatible Blower:	IN.6 (In-hood) – 600 CFM				

1200 CFM		DUCT SIZE: 10"			
MODEL NUMBER	WIDTH	DEPTH	HEIGHT	UMRP	MSRP
VW – 04224 – IN1.2	40 1/8"	22 1/8"	16"	\$3,585	\$3,925
VW – 04824 – IN1.2	46 1/8"	22 1/8"	16"	\$3,855	\$4,225
VW – 05424 – IN1.2	52 1/8"	22 1/8"	16"	\$4,130	\$4,525
VW – 06024 – IN1.2	58 1/8"	22 1/8"	16"	\$4,415	\$4,835
VW – 06624 – IN1.2	64 1/8"	22 1/8"	16"	\$4,695	\$5,135
VW – 07224 – IN1.2	70 1/8"	22 1/8"	16"	\$4,975	\$5,455
VW – 07824 – IN1.2	76 1/8"	22 1/8"	16"	\$5,245	\$5,745
Compatible Blower:	IN 1.2 (In-hood) – 1200 CFM				

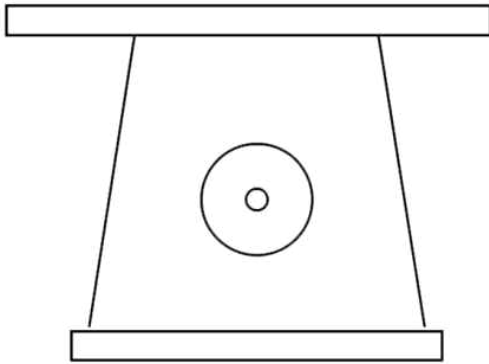
VENTILATION: ABBAKA SERIES XL PROFESSIONAL WALL LINERS (IN-LINE & REMOTE BLOWERS)



- Available in top or rear discharge
- Transition or starter collar included for install
- Refer to page 86 for blower pricing and additional accessories

DUCT SIZE: 8" & 10"					
MODEL NUMBER	WIDTH	DEPTH	HEIGHT	UMRP	MSRP
VW – 03624 – NB	34 1/8"	22 1/8"	12"	\$2,255	\$2,475
VW – 04224 – NB	40 1/8"	22 1/8"	12"	\$2,535	\$2,775
VW – 04824 – NB	46 1/8"	22 1/8"	12"	\$2,805	\$3,070
VW – 05424 – NB	52 1/8"	22 1/8"	12"	\$3,075	\$3,370
VW – 06024 – NB	58 1/8"	22 1/8"	12"	\$3,365	\$3,685
VW – 06624 – NB	64 1/8"	22 1/8"	12"	\$3,635	\$3,985
VW – 07224 – NB	70 1/8"	22 1/8"	12"	\$3,925	\$4,295
VW – 07824 – NB	76 1/8"	22 1/8"	12"	\$4,195	\$4,595
Compatible Blowers:	ATEX-0.8 (In-line) – 800 CFM				
	ATEX-1.2 (In-line) – 1200 CFM				
	HYEX-1.0 (Remote) – 1000 CFM				
	HYEX-1.4 (Remote) – 1400 CFM				

VENTILATION: ABBAKA SERIES XL PROFESSIONAL ISLAND LINERS (IN-HOOD BLOWERS)

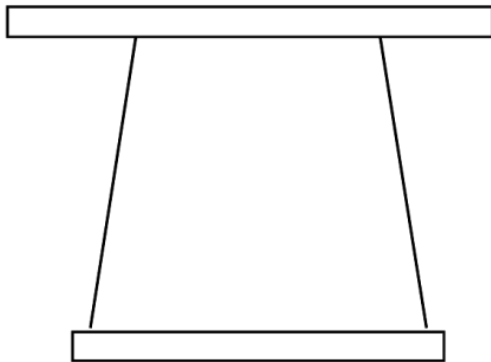


- Top discharge only
- Transition or starter collar included for install
- Refer to page 86 for blower pricing and additional accessories

600 CFM		DUCT SIZE: 8"			
MODEL NUMBER	WIDTH	DEPTH	HEIGHT	UMRP	MSRP
VI-03627-IN.6	34 1/8"	25 1/8"	16"	\$2,859	\$3,285
VI-04227-IN.6	40 1/8"	25 1/8"	16"	\$3,309	\$3,625
VI-048247-IN.6	46 1/8"	25 1/8"	16"	\$3,609	\$3,955
VI-05727-IN.6	55 1/8"	25 1/8"	16"	\$3,930	\$4,305
Compatible Blower:	IN.6 (In-hood) – 600 CFM				

1200 CFM		DUCT SIZE: 10"			
MODEL NUMBER	WIDTH	DEPTH	HEIGHT	UMRP	MSRP
VI-04227-IN1.2	40 1/8"	25 1/8"	16"	\$4,365	\$4,775
VI-04827-IN1.2	46 1/8"	25 1/8"	16"	\$4,735	\$5,185
VI-05427-IN1.2	52 1/8"	25 1/8"	16"	\$5,135	\$5,625
VI-06027-IN1.2	58 1/8"	25 1/8"	16"	\$5,525	\$6,055
VI-06627-IN1.2	64 1/8"	25 1/8"	16"	\$5,905	\$6,465
VI-07227-IN1.2	70 1/8"	25 1/8"	16"	\$6,315	\$6,915
VI-07827-IN1.2	76 1/8"	25 1/8"	16"	\$6,685	\$7,325
Compatible Blower:	IN 1.2 (In-hood) – 1200 CFM				

VENTILATION: ABBAKA SERIES XL PROFESSIONAL ISLAND LINERS (IN-LINE & REMOTE BLOWERS)



- Top discharge only
- Transition or starter collar included for install
- Refer to page 86 for blower pricing and additional accessories

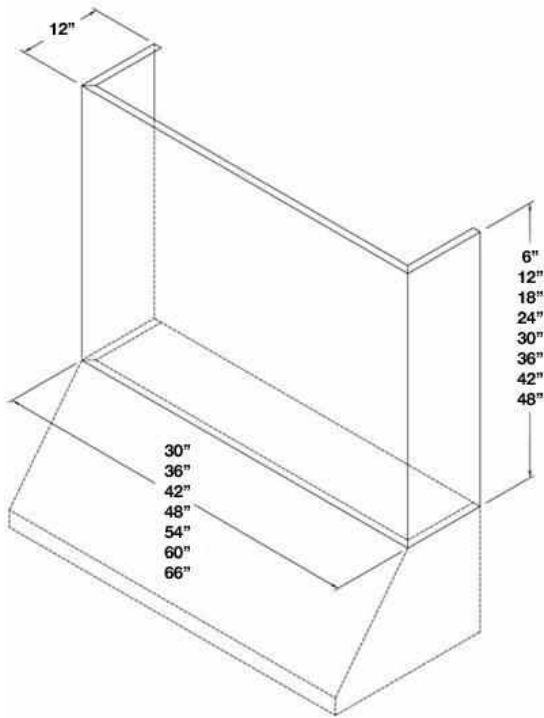
DUCT SIZE: 8" & 10"					
MODEL NUMBER	WIDTH	DEPTH	HEIGHT	UMRP	MSRP
VI-03627-NB	34 1/8"	25 1/8"	12"	\$2,475	\$2,715
VI-04227-NB	40 1/8"	25 1/8"	12"	\$2,785	\$3,045
VI-04827-NB	46 1/8"	25 1/8"	12"	\$3,085	\$3,375
VI-05427-NB	52 1/8"	25 1/8"	12"	\$3,405	\$3,725
VI-06027-NB	58 1/8"	25 1/8"	12"	\$3,725	\$4,075
VI-06627-NB	64 1/8"	25 1/8"	12"	\$4,025	\$4,405
VI-07227-NB	70 1/8"	25 1/8"	12"	\$4,355	\$4,775
VI-07827-NB	76 1/8"	25 1/8"	12"	\$4,655	\$5,099
Compatible Blowers:	ATEX-0.8 (In-line) – 800 CFM				
	ATEX-1.2 (In-line) – 1200 CFM				
	HYEX-1.0 (Remote) – 1000 CFM				
	HYEX-1.4 (Remote) – 1400 CFM				

VENTILATION: PROFESSIONAL, DESIGNER & ABBAKA SERIES

BLOWERS, ACCESSORIES & CUSTOMIZATION OPTIONS

BLOWERS & TRANSITIONS: BLUESTAR PROFESSIONAL & DESIGNER SERIES HOODS			
Model	Description	UMRP	MSRP
BS-CFM-600 PC30	Internal 3 speed, 600 CFM blower (For 30" Pyramid style hood only)	\$695	\$800
BS-CFM-600	Internal 3 speed, 600 CFM blower (For Pro-line and Pyramid style hoods over 30")	\$695	\$800
BS-CFM-1200	Internal 3 speed, 1200 CFM blower (For Pro-line and Pyramid style hoods over 30")	\$995	\$1,145
PH-CFM-600	Internal 3 speed, 600 CFM blower	\$695	\$800
PH-CFM-1200	Internal 3 speed, 1200 CFM blower	\$995	\$1,145
PH-1000CFMR	Remote 3 speed, 1000 CFM blower	\$1,345	\$1,545
PH-1400CFMR	Remote 3 speed, 1400 CFM blower	\$1,445	\$1,660
PH-INLB600	Inline 3 speed, 600 CFM blower	\$1,095	\$1,260
PH-INLB1200	Inline 3 speed, 1200 CFM blower	\$1,345	\$1,545
BS-TR6X15/8RD	Transition: 1200 CFM blower, top discharge – 6x15 to 8" round, 8" tall	\$215	\$245
BS-TR6X15/10RD	Transition: 1200 CFM blower, top discharge – 6x15 to 10" round, 8" tall	\$215	\$245
BS-TRC8/6	Transition: 6" round to 8" round	\$145	\$165
BLOWERS & ACCESSORIES: ABBAKA SERIES			
Note: Abbaka designated blowers are only compatible with Abbaka style hoods and WILL NOT work with other BlueStar models.			
HYEX-1.0-GA	Remote variable, 1000 CFM blower, Galvalume finish	\$1,045	\$1,200
HYEX-1.0-MC	Remote variable, 1000 CFM blower, Metallic Copper finish	\$1,155	\$1,330
HYEX-1.0-BL	Remote variable, 1000 CFM blower, Matte Black finish	\$1,155	\$1,330
HYEX-1.4-GA	Remote variable, 1400 CFM blower, Galvalume finish	\$1,078	\$1,240
HYEX-1.4-MC	Remote variable, 1400 CFM blower, Metallic Copper finish	\$1,188	\$1,365
HYEX-1.4-BL	Remote variable, 1400 CFM blower, Matte Black finish	\$1,188	\$1,365
ATEX-1.2	Inline variable, 1200 CFM blower, 10" duct	\$990	\$1,140
ATEX-0.8	Inline variable, 800 CFM blower, 8" duct	\$935	\$1,075
SW-ATEX1.2	Switch for ATEX 1.2, 10" duct	\$99	\$115
SM-10	Muffler and Isolation Clamps for 10" duct	\$445.50	\$510
SM-08	Muffler and Isolation Clamps for 8" duct	\$396	\$455
COLOR OPTIONS: <i>Must specify color on order</i>			
PAINT HOOD-STD RAL24-36	Standard RAL: 24", 30" & 36" (Excludes Pearl, Luminous & Aluminum RAL's)	\$650	\$745
PAINT HOOD-STD RAL42-60	Standard RAL: 42", 48", 54", 60" & 66" (Excludes Pearl, Luminous & Aluminum RAL's)	\$850	\$975
PAINT HOOD-TXT RAL24-36	Textured Standard RAL: 24", 30" & 36" (Excludes Pearl, Luminous & Aluminum RAL's)	\$1,050	\$1,195
PAINT HOOD-TXT RAL42-60	Textured Standard RAL: 42", 48", 54", 60" & 66" (Excludes Pearl, Luminous & Aluminum RAL's)	\$1,250	\$1,445
PAINT HOOD-PM 24-36	Precious Metal: 24", 30" & 36"	\$1,250	\$1,445
PAINT HOOD-PM42-60	Precious Metal: 42", 48", 54", 60" & 66"	\$1,450	\$1,665
PAINT HOOD-CC24-36	Custom Color: 24", 30" & 36"	\$2,150	\$2,475
PAINT HOOD-CC42-60	Custom Color: 42", 48", 54", 60" & 66"	\$2,400	\$2,760

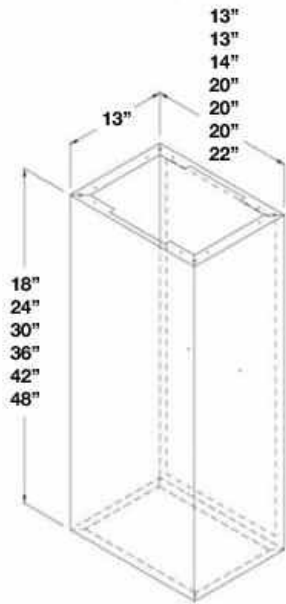
VENTILATION: DUCT COVERS INCLINE, INCLINE BBQ & BONANZA



MODEL	SIZE	MATERIAL	UMRP	MSRP
Available Duct Covers for 30" Models				
DC-30-6-SS	6"	BRUSHED SS	\$575	\$660
DC-30-12-SS	12"	BRUSHED SS	\$635	\$730
DC-30-18-SS	18"	BRUSHED SS	\$695	\$800
DC-30-24-SS	24"	BRUSHED SS	\$755	\$870
DC-30-30-SS	30"	BRUSHED SS	\$815	\$935
DC-30-36-SS	36"	BRUSHED SS	\$875	\$1,005
DC-30-42-SS	42"	BRUSHED SS	\$925	\$1,065
DC-30-48-SS	48"	BRUSHED SS	\$995	\$1,145
Available Duct Covers for 36" Models				
DC-36-6-SS	6"	BRUSHED SS	\$585	\$675
DC-36-12-SS	12"	BRUSHED SS	\$645	\$740
DC-36-18-SS	18"	BRUSHED SS	\$705	\$810
DC-36-24-SS	24"	BRUSHED SS	\$765	\$880
DC-36-30-SS	30"	BRUSHED SS	\$825	\$950
DC-36-36-SS	36"	BRUSHED SS	\$885	\$1,020
DC-36-42-SS	42"	BRUSHED SS	\$935	\$1,075
DC-36-48-SS	48"	BRUSHED SS	\$1,005	\$1,155
Available Duct Covers for 42" Models				
DC-42-6-SS	6"	BRUSHED SS	\$595	\$685
DC-42-12-SS	12"	BRUSHED SS	\$655	\$755
DC-42-18-SS	18"	BRUSHED SS	\$705	\$810

MODEL	SIZE	MATERIAL	UMRP	MSRP
DC-42-24-SS	24"	BRUSHED SS	\$775	\$890
DC-42-30-SS	30"	BRUSHED SS	\$835	\$960
DC-42-36-SS	36"	BRUSHED SS	\$895	\$1,030
DC-42-42-SS	42"	BRUSHED SS	\$950	\$1,095
DC-42-48-SS	48"	BRUSHED SS	\$1,015	\$1,165
Available Duct Covers for 48" Models				
DC-48-6-SS	6"	BRUSHED SS	\$605	\$695
DC-48-12-SS	12"	BRUSHED SS	\$655	\$755
DC-48-18-SS	18"	BRUSHED SS	\$715	\$820
DC-48-24-SS	24"	BRUSHED SS	\$785	\$905
DC-48-30-SS	30"	BRUSHED SS	\$845	\$970
DC-48-36-SS	36"	BRUSHED SS	\$905	\$1,040
DC-48-42-SS	42"	BRUSHED SS	\$950	\$1,095
DC-48-48-SS	48"	BRUSHED SS	\$1,025	\$1,180
Available Duct Covers for 54" Models				
DC-54-6-SS	6"	BRUSHED SS	\$615	\$705
DC-54-12-SS	12"	BRUSHED SS	\$665	\$765
DC-54-18-SS	18"	BRUSHED SS	\$725	\$835
DC-54-24-SS	24"	BRUSHED SS	\$795	\$915
DC-54-30-SS	30"	BRUSHED SS	\$855	\$985
DC-54-36-SS	36"	BRUSHED SS	\$915	\$1,050
DC-54-42-SS	42"	BRUSHED SS	\$975	\$1,120
DC-54-48-SS	48"	BRUSHED SS	\$1,035	\$1,190
Available Duct Covers for 60" Models				
DC-60-6-SS	6"	BRUSHED SS	\$625	\$720
DC-60-12-SS	12"	BRUSHED SS	\$675	\$775
DC-60-18-SS	18"	BRUSHED SS	\$745	\$855
DC-60-24-SS	24"	BRUSHED SS	\$805	\$925
DC-60-30-SS	30"	BRUSHED SS	\$865	\$995
DC-60-36-SS	36"	BRUSHED SS	\$925	\$1,065
DC-60-42-SS	42"	BRUSHED SS	\$985	\$1,135
DC-60-48-SS	48"	BRUSHED SS	\$1,045	\$1,200
Available Duct Covers for 66" Models				
DC-66-6-SS	6"	BRUSHED SS	\$665	\$765
DC-66-12-SS	12"	BRUSHED SS	\$685	\$790
DC-66-18-SS	18"	BRUSHED SS	\$755	\$870
DC-66-24-SS	24"	BRUSHED SS	\$815	\$935
DC-66-30-SS	30"	BRUSHED SS	\$865	\$995
DC-66-36-SS	36"	BRUSHED SS	\$935	\$1,075
DC-66-42-SS	42"	BRUSHED SS	\$995	\$1,145
DC-66-48-SS	48"	BRUSHED SS	\$1,055	\$1,215

VENTILATION: DUCT COVERS MANHATTAN WALL HOODS



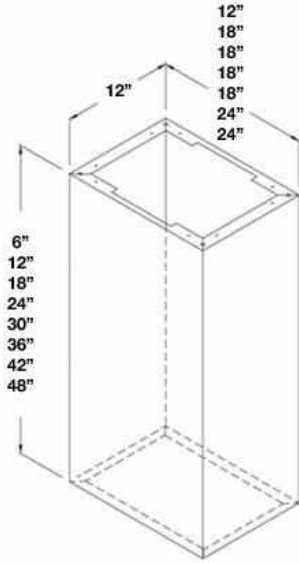
MODEL	SIZE	ORDERED WITH HOOD	ORDERED SEPARATELY
Available Duct Covers for 30" Models			
DC-18-MANH-30-W-SS	18"	N/C	\$1,125
DC-24-MANH-30-W-SS	24"	N/C	\$1,315
DC-30-MANH-30-W-SS	30"	N/C	\$1,335
DC-36-MANH-30-W-SS	36"	N/C	\$1,515
DC-42-MANH-30-W-SS	42"	\$1,895	\$1,895
DC-48-MANH-30-W-SS	48"	\$2,095	\$2,095
Available Duct Covers for 36" Models			
DC-18-MANH-36-W-SS	18"	N/C	\$1,125
DC-24-MANH-36-W-SS	24"	N/C	\$1,315
DC-30-MANH-36-W-SS	30"	N/C	\$1,335
DC-36-MANH-36-W-SS	36"	N/C	\$1,515
DC-42-MANH-36-W-SS	42"	\$1,895	\$1,895
DC-48-MANH-36-W-SS	48"	\$2,095	\$2,095
Available Duct Covers for 42" Models			
DC-18-MANH-42-W-SS	18"	N/C	\$1,125
DC-24-MANH-42-W-SS	24"	N/C	\$1,315
DC-30-MANH-42-W-SS	30"	N/C	\$1,335
DC-36-MANH-42-W-SS	36"	N/C	\$1,515
DC-42-MANH-42-W-SS	42"	\$1,895	\$1,895
DC-48-MANH-42-W-SS	48"	\$2,095	\$2,095

MODEL	SIZE	ORDERED WITH HOOD	ORDERED SEPARATELY
Available Duct Covers for 48" Models			
DC-18-MANH-48-W-SS	18"	N/C	\$1,125
DC-24-MANH-48-W-SS	24"	N/C	\$1,315
DC-30-MANH-48-W-SS	30"	N/C	\$1,335
DC-36-MANH-48-W-SS	36"	N/C	\$1,515
DC-42-MANH-48-W-SS	42"	\$1,895	\$1,895
DC-48-MANH-48-W-SS	48"	\$2,095	\$2,095
Available Duct Covers for 54" Models			
DC-18-MANH-54-W-SS	18"	N/C	\$1,125
DC-24-MANH-54-W-SS	24"	N/C	\$1,315
DC-30-MANH-54-W-SS	30"	N/C	\$1,335
DC-36-MANH-54-W-SS	36"	N/C	\$1,515
DC-42-MANH-54-W-SS	42"	\$1,895	\$1,895
DC-48-MANH-54-W-SS	48"	\$2,095	\$2,095
Available Duct Covers for 60" Models			
DC-18-MANH-60-W-SS	18"	N/C	\$1,125
DC-24-MANH-60-W-SS	24"	N/C	\$1,315
DC-30-MANH-60-W-SS	30"	N/C	\$1,335
DC-36-MANH-60-W-SS	36"	N/C	\$1,515
DC-42-MANH-60-W-SS	42"	\$1,895	\$1,895
DC-48-MANH-60-W-SS	48"	\$2,095	\$2,095
Available Duct Covers for 66" Models			
DC-18-MANH-66-W-SS	18"	N/C	\$1,125
DC-24-MANH-66-W-SS	24"	N/C	\$1,315
DC-30-MANH-66-W-SS	30"	N/C	\$1,335
DC-36-MANH-66-W-SS	36"	N/C	\$1,515
DC-42-MANH-66-W-SS	42"	\$1,895	\$1,895
DC-48-MANH-66-W-SS	48"	\$2,095	\$2,095

NOTE: HOOD MUST BE MOUNTED TO CEILING AND CEILING ACCESS MAY BE REQUIRED. PLEASE REFERENCE THE INSTALLATION MANUAL ON BLUESTARCOOKING.COM FOR DETAILS

NOTE: MUST ORDER DUCT COVER FOR BLOWER & MOUNTING PURPOSES. MINIMUM 18" HIGH

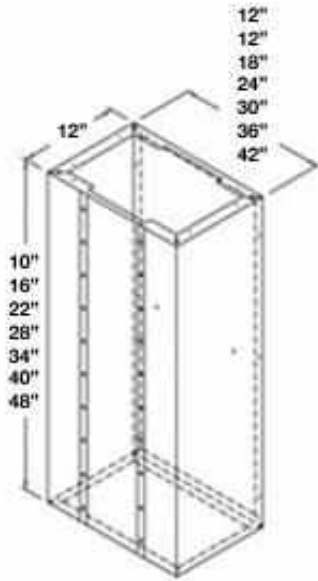
VENTILATION: DUCT COVERS LARAMIE, LAREDO & HAMPTON WALL HOODS



MODEL	SIZE	ORDERED WITH HOOD	ORDERED SEPARATELY
Available Duct Covers for 30" Models			
DC-6-XXXX-30-W-SS	6"	N/C	\$665
DC-12-XXXX-30-W-SS	12"	N/C	\$745
DC-18-XXXX-30-W-SS	18"	N/C	\$805
DC-24-XXXX-30-W-SS	24"	N/C	\$875
DC-30-XXXX-30-W-SS	30"	N/C	\$945
DC-36-XXXX-30-W-SS	36"	\$1,015	\$1,015
DC-42-XXXX-30-W-SS	42"	\$1,085	\$1,085
DC-48-XXXX-30-W-SS	48"	\$1,145	\$1,145
Available Duct Covers for 36" Models			
DC-6-XXXX-36-W-SS	6"	N/C	\$665
DC-12-XXXX-36-W-SS	12"	N/C	\$745
DC-18-XXXX-36-W-SS	18"	N/C	\$805
DC-24-XXXX-36-W-SS	24"	N/C	\$875
DC-30-XXXX-36-W-SS	30"	N/C	\$945
DC-36-XXXX-36-W-SS	36"	\$1,015	\$1,015
DC-42-XXXX-36-W-SS	42"	\$1,085	\$1,085
DC-48-XXXX-36-W-SS	48"	\$1,145	\$1,145
Available Duct Covers for 42" Models			
DC-6-XXXX-42-W-SS	6"	N/C	\$665
DC-12-XXXX-42-W-SS	12"	N/C	\$745
DC-18-XXXX-42-W-SS	18"	N/C	\$805
DC-24-XXXX-42-W-SS	24"	N/C	\$875
DC-30-XXXX-42-W-SS	30"	N/C	\$945

MODEL	SIZE	ORDERED WITH HOOD	ORDERED SEPARATELY
DC-36-XXXX-42-W-SS	36"	\$1,015	\$1,015
DC-42-XXXX-42-W-SS	42"	\$1,085	\$1,085
DC-48-XXXX-42-W-SS	48"	\$1,145	\$1,145
Available Duct Covers for 48" Models			
DC-6-XXXX-48-W-SS	6"	N/C	\$665
DC-12-XXXX-48-W-SS	12"	N/C	\$745
DC-18-XXXX-48-W-SS	18"	N/C	\$805
DC-24-XXXX-48-W-SS	24"	N/C	\$875
DC-30-XXXX-48-W-SS	30"	N/C	\$945
DC-36-XXXX-48-W-SS	36"	\$1,015	\$1,015
DC-42-XXXX-48-W-SS	42"	\$1,085	\$1,085
DC-48-XXXX-48-W-SS	48"	\$1,145	\$1,145
Available Duct Covers for 54" Models			
DC-6-XXXX-54-W-SS	6"	N/C	\$665
DC-12-XXXX-54-W-SS	12"	N/C	\$745
DC-18-XXXX-54-W-SS	18"	N/C	\$805
DC-24-XXXX-54-W-SS	24"	N/C	\$875
DC-30-XXXX-54-W-SS	30"	N/C	\$945
DC-36-XXXX-54-W-SS	36"	\$1,015	\$1,015
DC-42-XXXX-54-W-SS	42"	\$1,085	\$1,085
DC-48-XXXX-54-W-SS	48"	\$1,145	\$1,145
Available Duct Covers for 60" Models			
DC-6-XXXX-60-W-SS	6"	N/C	\$665
DC-12-XXXX-60-W-SS	12"	N/C	\$745
DC-18-XXXX-60-W-SS	18"	N/C	\$805
DC-24-XXXX-60-W-SS	24"	N/C	\$875
DC-30-XXXX-60-W-SS	30"	N/C	\$945
DC-36-XXXX-60-W-SS	36"	\$1,015	\$1,015
DC-42-XXXX-60-W-SS	42"	\$1,085	\$1,085
DC-48-XXXX-60-W-SS	48"	\$1,145	\$1,145
Available Duct Covers for 66" Models			
DC-6-XXXX-66-W-SS	6"	N/C	\$665
DC-12-XXXX-66-W-SS	12"	N/C	\$745
DC-18-XXXX-66-W-SS	18"	N/C	\$805
DC-24-XXXX-66-W-SS	24"	N/C	\$875
DC-30-XXXX-66-W-SS	30"	N/C	\$945
DC-36-XXXX-66-W-SS	36"	\$1,015	\$1,015
DC-42-XXXX-66-W-SS	42"	\$1,085	\$1,085
DC-48-XXXX-66-W-SS	48"	\$1,145	\$1,145

VENTILATION: DUCT COVERS WRANGLER WALL HOODS

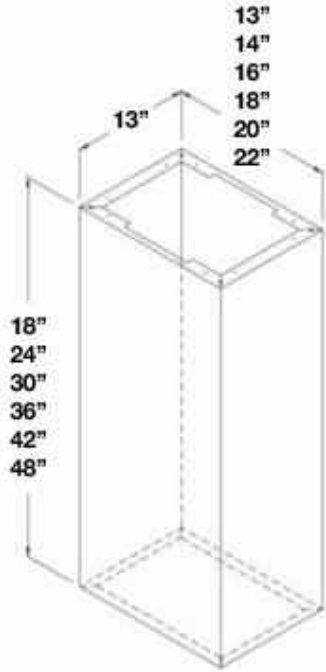


MODEL	SIZE	UMRP	MSRP
Available Duct Covers for 30" Models			
DC-10-WRAN-30-W-SS	10"	N/C	N/C
DC-16-WRAN-30-W-SS	16"	N/C	N/C
DC-22-WRAN-30-W-SS	22"	N/C	N/C
DC-28-WRAN-30-W-SS	28"	N/C	N/C
DC-34-WRAN-30-W-SS	34"	N/C	N/C
DC-40-WRAN-30-W-SS	40"	N/C	N/C
DC-46-WRAN-30-W-SS	46"	N/C	N/C
Available Duct Covers for 36" Models			
DC-10-WRAN-36-W-SS	10"	N/C	N/C
DC-16-WRAN-36-W-SS	16"	N/C	N/C
DC-22-WRAN-36-W-SS	22"	N/C	N/C
DC-28-WRAN-36-W-SS	28"	N/C	N/C
DC-34-WRAN-36-W-SS	34"	N/C	N/C
DC-40-WRAN-36-W-SS	40"	N/C	N/C
DC-46-WRAN-36-W-SS	46"	N/C	N/C
Available Duct Covers for 42" Models			
DC-10-WRAN-42-W-SS	10"	N/C	N/C
DC-16-WRAN-42-W-SS	16"	N/C	N/C
DC-22-WRAN-42-W-SS	22"	N/C	N/C
DC-28-WRAN-42-W-SS	28"	N/C	N/C
DC-34-WRAN-42-W-SS	34"	N/C	N/C
DC-40-WRAN-42-W-SS	40"	N/C	N/C
DC-46-WRAN-42-W-SS	46"	N/C	N/C

MODEL	SIZE	UMRP	MSRP
Available Duct Covers for 48" Models			
DC-10-WRAN-48W-SS	10"	N/C	N/C
DC-16-WRAN-48-W-SS	16"	N/C	N/C
DC-22-WRAN-48-W-SS	22"	N/C	N/C
DC-28-WRAN-48-W-SS	28"	N/C	N/C
DC-34-WRAN-48-W-SS	34"	N/C	N/C
DC-40-WRAN-48-W-SS	40"	N/C	N/C
DC-46-WRAN-48-W-SS	46"	N/C	N/C
Available Duct Covers for 54" Models			
DC-10-WRAN-54-W-SS	10"	N/C	N/C
DC-16-WRAN-54-W-SS	16"	N/C	N/C
DC-22-WRAN-54-W-SS	22"	N/C	N/C
DC-28-WRAN-54-W-SS	28"	N/C	N/C
DC-34-WRAN-54-W-SS	34"	N/C	N/C
DC-40-WRAN-54-W-SS	40"	N/C	N/C
DC-46-WRAN-54-W-SS	46"	N/C	N/C
Available Duct Covers for 60" Models			
DC-10-WRAN-60-W-SS	10"	N/C	N/C
DC-16-WRAN-60-W-SS	16"	N/C	N/C
DC-22-WRAN-60-W-SS	22"	N/C	N/C
DC-28-WRAN-60-W-SS	28"	N/C	N/C
DC-34-WRAN-60-W-SS	34"	N/C	N/C
DC-40-WRAN-60-W-SS	40"	N/C	N/C
DC-46-WRAN-60-W-SS	46"	N/C	N/C
Available Duct Covers for 66" Models			
DC-10-WRAN-66-W-SS	10"	N/C	N/C
DC-16-WRAN-66-W-SS	16"	N/C	N/C
DC-22-WRAN-66-W-SS	22"	N/C	N/C
DC-28-WRAN-66-W-SS	28"	N/C	N/C
DC-34-WRAN-66-W-SS	34"	N/C	N/C
DC-40-WRAN-66-W-SS	40"	N/C	N/C
DC-46-WRAN-66-W-SS	46"	N/C	N/C

NOTE: BRUSHED STAINLESS STEEL STRAPPING & RIVETS ARE AVAILABLE AT NO ADDITIONAL CHARGE. MUST BE SPECIFIED ON ORDER. STRAPPING & RIVETS IN DIFFERENT FINISHES OR LAYOUTS REQUIRE A CUSTOM QUOTE.

VENTILATION: DUCT COVERS MANHATTAN ISLAND DUCT COVERS



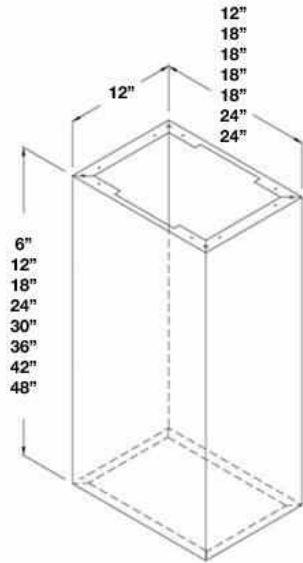
MODEL	SIZE	ORDERED WITH HOOD	ORDERED SEPARATELY
Available Duct Covers for 30" Models			
DC-18-MANH-30-I-SS	18"	N/C	\$1,115
DC-24-MANH-30-I-SS	24"	N/C	\$1,315
DC-30-MANH-30-I-SS	30"	N/C	\$1,345
DC-36-MANH-30-I-SS	36"	N/C	\$1,505
DC-42-MANH-30-I-SS	42"	\$1,895	\$1,895
DC-48-MANH-30-I-SS	48"	\$2,095	\$2,095
Available Duct Covers for 36" Models			
DC-18-MANH-36-I-SS	18"	N/C	\$1,115
DC-24-MANH-36-I-SS	24"	N/C	\$1,315
DC-30-MANH-36-I-SS	30"	N/C	\$1,345
DC-36-MANH-36-I-SS	36"	N/C	\$1,505
DC-42-MANH-36-I-SS	42"	\$1,895	\$1,895
DC-48-MANH-36-I-SS	48"	\$2,095	\$2,095
Available Duct Covers for 42" Models			
DC-18-MANH-42-I-SS	18"	N/C	\$1,115
DC-24-MANH-42-I-SS	24"	N/C	\$1,315
DC-30-MANH-42-I-SS	30"	N/C	\$1,345
DC-36-MANH-42-I-SS	36"	N/C	\$1,505
DC-42-MANH-42-I-SS	42"	\$1,895	\$1,895
DC-48-MANH-42-I-SS	48"	\$2,095	\$2,095

MODEL	SIZE	ORDERED WITH HOOD	ORDERED SEPARATELY
Available Duct Covers for 48" Models			
DC-18-MANH-48-I-SS	18"	N/C	\$1,115
DC-24-MANH-48-I-SS	24"	N/C	\$1,315
DC-30-MANH-48-I-SS	30"	N/C	\$1,345
DC-36-MANH-48-I-SS	36"	N/C	\$1,505
DC-42-MANH-48-I-SS	42"	\$1,895	\$1,895
DC-48-MANH-48-I-SS	48"	\$2,095	\$2,095
Available Duct Covers for 54" Models			
DC-18-MANH-54-I-SS	18"	N/C	\$1,115
DC-24-MANH-54-I-SS	24"	N/C	\$1,315
DC-30-MANH-54-I-SS	30"	N/C	\$1,345
DC-36-MANH-54-I-SS	36"	N/C	\$1,505
DC-42-MANH-54-I-SS	42"	\$1,895	\$1,895
DC-48-MANH-54-I-SS	48"	\$2,095	\$2,095
Available Duct Covers for 60" Models			
DC-18-MANH-60-I-SS	18"	N/C	\$1,115
DC-24-MANH-60-I-SS	24"	N/C	\$1,315
DC-30-MANH-60-I-SS	30"	N/C	\$1,345
DC-36-MANH-60-I-SS	36"	N/C	\$1,505
DC-42-MANH-60-I-SS	42"	\$1,895	\$1,895
DC-48-MANH-60-I-SS	48"	\$2,095	\$2,095
Available Duct Covers for 66" Models			
DC-18-MANH-66-I-SS	18"	N/C	\$1,115
DC-24-MANH-66-I-SS	24"	N/C	\$1,315
DC-30-MANH-66-I-SS	30"	N/C	\$1,345
DC-36-MANH-66-I-SS	36"	N/C	\$1,505
DC-42-MANH-66-I-SS	42"	\$1,895	\$1,895
DC-48-MANH-66-I-SS	48"	\$2,095	\$2,095

NOTE: MUST ORDER DUCT COVER FOR BLOWER & MOUNTING PURPOSES. MINIMUM 18" HIGH

VENTILATION: DUCT COVERS

LARAMIE, LAREDO & HAMPTON ISLAND HOODS



MODEL	SIZE	ORDERED WITH HOOD	ORDERED SEPARATELY
Available Duct Covers for 30" Models			
DC-6-XXXX-30-I-SS	6"	N/C	\$775
DC-12-XXXX-30-I-SS	12"	N/C	\$845
DC-18-XXXX-30-I-SS	18"	N/C	\$905
DC-24-XXXX-30-I-SS	24"	N/C	\$985
DC-30-XXXX-30-I-SS	30"	N/C	\$1,165
DC-36-XXXX-30-I-SS	36"	\$1,225	\$1,225
DC-42-XXXX-30-I-SS	42"	\$1,295	\$1,295
DC-48-XXXX-30-I-SS	48"	\$1,355	\$1,355
Available Duct Covers for 36" Models			
DC-6-XXXX-36-I-SS	6"	N/C	\$775
DC-12-XXXX-36-I-SS	12"	N/C	\$845
DC-18-XXXX-36-I-SS	18"	N/C	\$905
DC-24-XXXX-36-I-SS	24"	N/C	\$985
DC-30-XXXX-36-I-SS	30"	N/C	\$1,165
DC-36-XXXX-36-I-SS	36"	\$1,225	\$1,225
DC-42-XXXX-36-I-SS	42"	\$1,295	\$1,295
DC-48-XXXX-36-I-SS	48"	\$1,355	\$1,355
Available Duct Covers for 42" Models			
DC-6-XXXX-42-I-SS	6"	N/C	\$775
DC-12-XXXX-42-I-SS	12"	N/C	\$845
DC-18-XXXX-42-I-SS	18"	N/C	\$905
DC-24-XXXX-42-I-SS	24"	N/C	\$985
DC-30-XXXX-42-I-SS	30"	N/C	\$1,165

MODEL	SIZE	ORDERED WITH HOOD	ORDERED SEPARATELY
DC-36-XXXX-42-I-SS	36"	\$1,225	\$1,225
DC-42-XXXX-42-I-SS	42"	\$1,295	\$1,295
DC-48-XXXX-42-I-SS	48"	\$1,355	\$1,355
Available Duct Covers for 48" Models			
DC-6-XXXX-48-I-SS	6"	6"	N/C
DC-12-XXXX-48-I-SS	12"	12"	N/C
DC-18-XXXX-48-I-SS	18"	18"	N/C
DC-24-XXXX-48-I-SS	24"	24"	N/C
DC-30-XXXX-48-I-SS	30"	30"	N/C
DC-36-XXXX-48-I-SS	36"	36"	\$1,225
DC-42-XXXX-48-I-SS	42"	42"	\$1,295
DC-48-XXXX-48-I-SS	48"	48"	\$1,355
Available Duct Covers for 54" Models			
DC-6-XXXX-54-I-SS	6"	6"	N/C
DC-12-XXXX-54-I-SS	12"	12"	N/C
DC-18-XXXX-54-I-SS	18"	18"	N/C
DC-24-XXXX-54-I-SS	24"	24"	N/C
DC-30-XXXX-54-I-SS	30"	30"	N/C
DC-36-XXXX-54-I-SS	36"	36"	\$1,225
DC-42-XXXX-54-I-SS	42"	42"	\$1,295
DC-48-XXXX-54-I-SS	48"	48"	\$1,355
Available Duct Covers for 60" Models			
DC-6-XXXX-60-I-SS	6"	6"	N/C
DC-12-XXXX-60-I-SS	12"	12"	N/C
DC-18-XXXX-60-I-SS	18"	18"	N/C
DC-24-XXXX-60-I-SS	24"	24"	N/C
DC-30-XXXX-60-I-SS	30"	30"	N/C
DC-36-XXXX-60-I-SS	36"	36"	\$1,225
DC-42-XXXX-60-I-SS	42"	42"	\$1,295
DC-48-XXXX-60-I-SS	48"	48"	\$1,355
Available Duct Covers for 66" Models			
DC-6-XXXX-66-I-SS	6"	6"	N/C
DC-12-XXXX-66-I-SS	12"	12"	N/C
DC-18-XXXX-66-I-SS	18"	18"	N/C
DC-24-XXXX-66-I-SS	24"	24"	N/C
DC-30-XXXX-66-I-SS	30"	30"	N/C
DC-36-XXXX-66-I-SS	36"	36"	\$1,225
DC-42-XXXX-66-I-SS	42"	42"	\$1,295
DC-48-XXXX-66-I-SS	48"	48"	\$1,355



318 June Avenue, Blandon, PA 19510
(800) 449 - 8691