

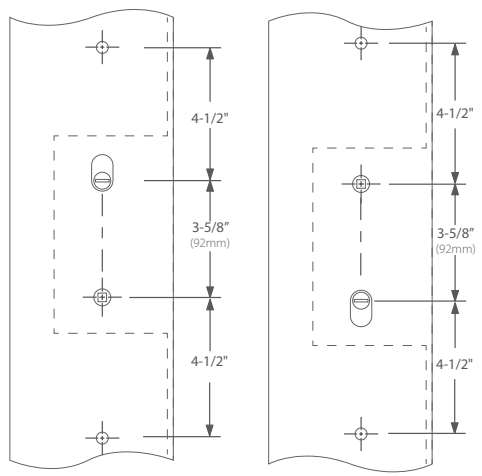
MULTI POINT LOCK TRIM

PRICE BOOK

October 2018



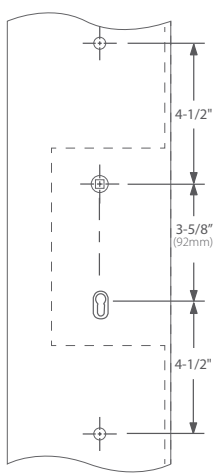
Large Multi Point
Entry Sets



Large Multi Point Entry Sets 14
American Cylinder Hub *Above/Below* Handle, 3⁵/₈" Center-to-Center

ref. G-U®

PAGE



Large Multi Point Entry Sets 18
Euro Cylinder Hub *Below* Handle, 3⁵/₈" Center-to-Center

ref. G-U®

EMTEK MULTI POINT LOCK TRIM FOR SWINGING DOORS

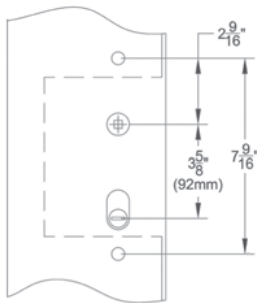
CHOOSE TRIMSETS FROM DOOR & LOCK CONFIGURATIONS, AVAILABLE IN BOTH KEYED AND NON-KEYED FUNCTIONS

Door Manufacturers listed under each configuration are for reference only and are subject to change. Some retrofitting may be necessary. Please carefully measure and identify your hardware using the diagrams and steps listed below.

>> To determine your Multi-Point Lock configuration:

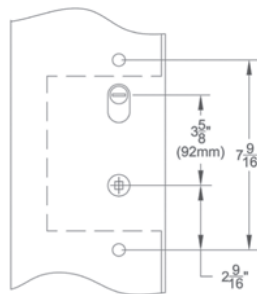
- 1) Identify the manufacturer of your door and multi-point lock
- 2) Measure the center-to-center hole spacing between the lever and the cylinder
- 3) Check the lever position: is it above or below the cylinder?
- 4) Identify the type of cylinder used in the door: is it American or Euro Profile Cylinder?

PAGE



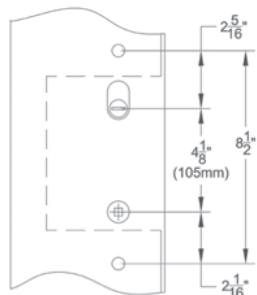
Door Configuration #1 22
 American Cylinder Hub *Below* Handle, 3⁵/₈" Center-to-Center

ref. Atrium[®], G-U[®], KML by Andersen[®], Andersen[®],
 Marvin Integrity[®], Paddock Lockmaster[™], Superior[®]



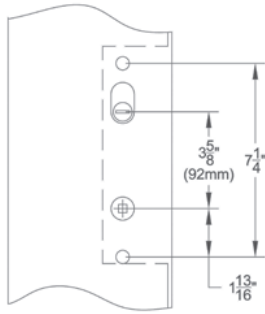
Door Configuration #2 28
 American Cylinder Hub *Above* Handle, 3⁵/₈" Center-to-Center

ref. BiltBest[®], G-U[®], Hurd[®] (Energy Saver), Andersen[®]



Door Configuration #3 34
 American Cylinder Hub *Above* Handle, 4¹/₈" Center-to-Center

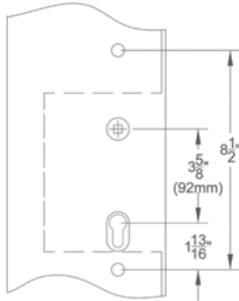
ref. Andersen[®]



Door Configuration #4 40

American Cylinder Hub **Above** Handle, 3 5/8" Center-to-Center

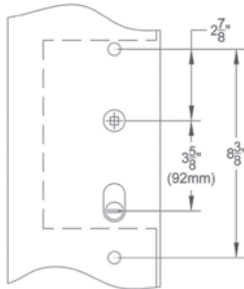
ref. Ashland®, G-U®, Caradco®, JELD-WEN®, Jeldwen® Custom Collection (formerly Pozzi®), Marvin®, PGT®, Premium Collection (formerly Norco®), Weathershield®



Door Configuration #5 46

Euro Profile Cylinder **Below** Handle, 3 5/8" Center-to-Center

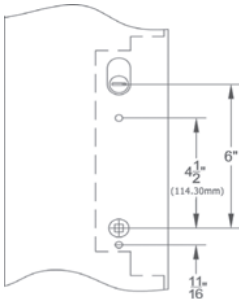
ref. Crestline®, Hoppe®, Hurd®, KfV®, Kolbe & Kolbe®, Lincoln®, Loewen®, Paddock Lockmaster™, Peachtree®, Semco®, Sierra Pacific®, Signature®, Simpson®, Therma-Tru®, Vetter®, Willmar®, Windsor®, Weathershield®



Door Configuration #6 52

American Cylinder Hub **Below** Handle, 3 5/8" Center-to-Center

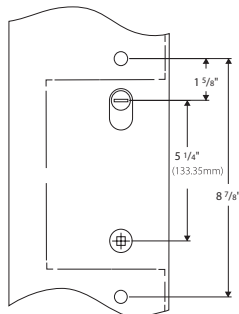
ref. Milgard®, Pella®



Door Configuration #7 58

American Cylinder Hub **Above** Handle, 6" Center-to-Center

ref. Trillanium® (formerly W&F Manufacturing)



Door Configuration #8 63

American Cylinder Hub **Above** Handle, 5 1/4" Center-to-Center

ref. Neuma Doors®

Product Index 68

Order Form 70

Lifetime Limited Warranty 71



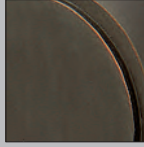
Polished Brass -
Lifetime (US3)



Satin Brass
(US4)



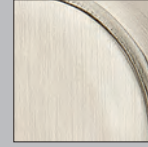
French Antique
(US7)



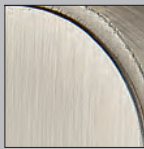
Oil Rubbed Bronze
(US10B)



Polished Nickel -
Lifetime (US14)



Satin Nickel
(US15)



Pewter
(US15A)

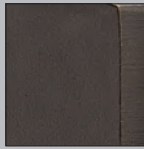


Flat Black
(US19)

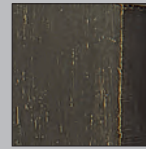


Polished Chrome
(US26)

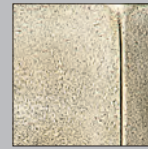
Bronze Patina is a living finish that will gracefully age, revealing the underlying bronze over time. Because of this characteristic, no finish warranty is offered on bronze patina products.



Flat Black Bronze
Patina (FB)

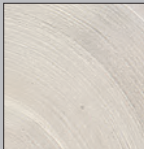


Medium Bronze
Patina (MB)



Tumbled White
Bronze (TWB)

Brushed Stainless Steel carries a five-year finish warranty. All stainless steel will require some periodic cleaning to keep your hardware looking like new.



Brushed Stainless
Steel (SS)

Unlacquered Brass (US3NL) is a custom, made-to-order finish. It is available with an upcharge, per item and requires an additional 2-3 day lead time. This living finish will gracefully age and evolve in appearance over time. Because of this characteristic, no finish warranty is offered on unlacquered brass products.



Unlacquered Brass
(US3NL)

ORDERING AND RETURNS

Placing Orders

You have several options to place an order:

- Email: orders@emtek.com
- Fax: 800-577-5771
- Phone: 800-356-2741, Option 1
- Mail: Emtek Products, Inc.
15250 E. Stafford Street
City of Industry, CA 91744

Hours of Operation

Monday – Friday: 5:00 AM - 5:00 PM Pacific Time.

Minimum Order Requirements

There are no minimum order quantity requirements.

Payment Terms

Net 30 Days on established credit.

Payment Options

We accept check, Visa, MasterCard, Discover, AMEX, and ACH.

Sales Tax

Sales tax will be charged unless a resale certificate has been provided.

Prices

All prices listed are in US funds. Our prices are subject to change without prior notice.

Returns

- For your convenience, returns do not require authorization. Returns can be processed directly from the Emtek website, www.emtek.com.
- Click on the “Dealer Site” icon on the right side of the bottom half of the www.emtek.com home page, and then select “Product Returns”. Fill out the RGA form, and follow the link to generate a UPS call tag (terms and conditions apply – see the website for details).
- A completed RGA form must accompany all packages for returned goods.
- Returns are accepted from the Emtek dealer who originally purchased the product that is being returned. Any refund or credit would only be made to the original dealer.
- All returned goods are subject to a minimum 25% restocking fee.
- Returns for reasons other than an Emtek factory or processing error will be subject to our customary restocking fee with a return freight charge of \$15.00 per label/carton in the United States or \$30.00 per label/carton in Canada or Mexico. This charge will be deducted from the credit issued for each call tag.
- No freight will be charged if the return is sent prepaid.

SHIPPING AND FREIGHT

Shipping Costs

All orders are FOB shipping point. For shipments to dealer specified commercial addresses located in the US, Canada and Mexico, Emtek ships freight prepaid. For shipments to dealers located outside of North America, freight will be prepaid by Emtek to the U.S. location of the dealer’s freight forwarder. Orders may ship ground service or LTL at our discretion. Orders shipping to a residential address must ship via 2nd Day with a 20% surcharge.

Shipping Options

Shipments to a commercial address can be upgraded to 2nd Day or Next Day Service for a fee. Orders shipping to a residential address may be upgraded to Next Day Service for a fee. Unfortunately, a dealer’s freight account cannot be used to pay for shipping charges.

| Delivery Location | Type of Service | Surcharge %* |
|---------------------|-----------------------|--------------|
| Commercial Address | Second Day | 6% |
| Commercial Address | Next Day | 16% |
| Residential Address | Second Day (Required) | 20% |
| Residential Address | Next Day | 25% |

*Multiplied by invoice value

Order Lead time

Emtek assembles all products to order in City of Industry, California. Orders typically ship within two to three business days once an order is released to the factory.

DEALER INFORMATION PORTAL

Online Account Access

We are pleased to announce that you can now access your Emtek account information through the ASSA ABLOY dealer information portal. Through the dealer portal you can access information about your account at any time. You can:

- Check on the status of orders
- View both order and sales history
- View and print order acknowledgements, invoices, statements and credits
- Track shipments

To register for the ASSA ABLOY dealer portal or to make changes to access rights, we require the approval from your company’s owner, CEO, President, or other corporate officer. To get started, Click on the “Dealer Site” icon on the bottom half of the www.emtek.com home page, and then select “Forms & Instructions”. Please complete the “Dealer Portal Access Rights Form” and email to: dealerportal.emtek@assaabloy.com. Should you have any questions, please contact Customer Service.

NO CHARGE SAMPLE PROGRAM

Sample Program

Samples are gladly provided at no charge to authorized dealers, under the following conditions:

- ½ Door Lock Dummy (max 2)
- ½ Pair of Hinges (max 2)
- Cabinet Knob or Pull (max 3)
- Door Accessory (max 1)

A shipping and handling fee of \$2.50 per sample will be applied to your order (\$2.50 for one sample, \$5.00 for two samples, \$7.50 for three samples, etc.)

Sample Order Exceptions

- Samples must be different product codes.
- Samples do not include active door hardware sets, 8" or larger cabinet pulls, door pulls, appliance pulls, electronic locks, entry sets, bath hardware or door accessories over \$75 list.

Placing a Sample Order

- Send orders to samples@emtek.com or place by fax, phone, or mail.
- Write "NO CHARGE SAMPLE" on the order.
- Standard shipment upgrade charges will apply for expedited freight requests.
- Orders for sample products must be placed separately and not combined with other products.
- Emtek does not require samples to be returned.

No Restocking Fee Charged for Sample Orders with Exceptions

- Send orders to samples@emtek.com or place by fax, phone, or mail.
- Write "DEALER SAMPLE" on the order.
- Keep the samples you want and return the samples you don't.
- Contact Customer Service for Return Authorization in advance to ensure a restock fee is not applied to the return.
- Product must be returned in its original condition.
- Return freight charge of \$15.00 per label/carton in the United States or \$30.00 per label/carton in Canada or Mexico. This charge will be deducted from the credit issued for each call tag.
- No freight will be charged if the return is sent prepaid.

NO CHARGE DISPLAY PROGRAM

Display Program

Emtek offers a variety of quality, well-crafted displays. We take great pride in the quality of our displays, which are hand-built in our Southern California facility by our talented craftsmen.

- Click on the "Dealer Site" icon on the right side of the bottom half of the www.emtek.com home page, and then select "Displays".
- Browse our online catalog using the navigation system on the left column to view by function, style, or material.

Placing a Display Order

Please contact your local sales representative for ordering information.

Product for use on Displays in your Showroom

Thank you for considering Emtek products for use on door displays and kitchen/bath vignettes installed in your showroom. Please contact your local sales representative for ordering information.

Minimum Advertised Price Policy Effective February 6, 2017

Emtek has determined that in order to better compete against existing competitors it must exercise a greater degree of control over the distribution of its products. Therefore, all sales of Emtek products will be subject to this Policy. This Policy has been unilaterally adopted and will be enforced strictly and uniformly.

Although resellers remain free to establish their own resale prices, to the extent that any customer elects to advertise products of Emtek in any manner, that is in print, in electronic media, on its website, etc., and provides price information for such products, that price information must be no less than List Price less 20%, this is the Minimum Advertised Price (MAP). Advertisements and offers to sell that do not include a particular price, but require further action that implies a price that is lower than the Minimum Advertised Price violate the MAP Policy. Examples of such unauthorized advertisements include "drop in cart" pricing, "add to cart" pricing, "click to see" pricing, and discount coupon pricing. Also prohibited are advertisements that indicate that discounts may be available when a customer takes specific action that goes beyond buying the product, such as "special price option" or "name your price."

To assure fair business practices, we will strictly enforce this policy. Violations of this MAP Policy will include termination of our business relationship with a customer. On the first offense there will be a written notice counseling any customer that disregards this policy. Any customer who violates the policy a second time, within one year of receiving a written notice of a first violation, will be terminated.

Emtek will not discuss any conditions of acceptance related to this Policy, as it is non-negotiable and will not be altered for any dealer. In addition, Emtek neither solicits, nor will it accept, any assurance of compliance with this Policy. Nothing in this Policy shall constitute an agreement between Emtek and any reseller that the reseller will comply with this Policy.

SELECT BRASS



L-Square Faceted
(LS.FA)



L-Square Hammered
(LS.HA)



L-Square Knurled
(LS.KN)



L-Square Tribeca
(LS.TR)



T-Bar Faceted
(TA.FA)*



T-Bar Hammered
(TA.HA)*



T-Bar Knurled
(TA.KN)*



T-Bar Tribeca
(TA.TR)*

MODERN BRASS

CLASSIC



Aireon Lever
(A)



Athena Lever
(ATN)



Hermes Lever
(HER)



Luzern Lever
(LU)



Poseidon Lever
(POS)



Stuttgart Lever
(STU)

DESIGNER



Argos Lever
(AG)



Aston Lever
(AST)



Basel Lever
(BA)



Breslin Lever
(BRL)



Dumont Lever
(DT)



Freestone Lever
(FRL)*



Geneva Lever
(GV)*



Helios Lever
(HLO)



Hercules Lever
(HEC)



Mercury Lever
(MC)



Myles Lever
(MYL)*



Sion Lever
(SIO)



Spencer Lever
(SPN)



Triton Lever
(TRT)

SOLID BRASS

CLASSIC



Cortina Lever
(C)



Milano Lever
(M)



Rustic Lever
(R)



Turino Lever
(T)

DESIGNER



Coventry Lever
(CV)



Elan Lever
(EN)



Merrimack Lever
(ME)



Ribbon & Reed Lever
(RBL)



Rope Lever
(RL)



Santa Fe Lever
(SF)



Wembley Lever
(WM)

ARTS & CRAFTS BRASS



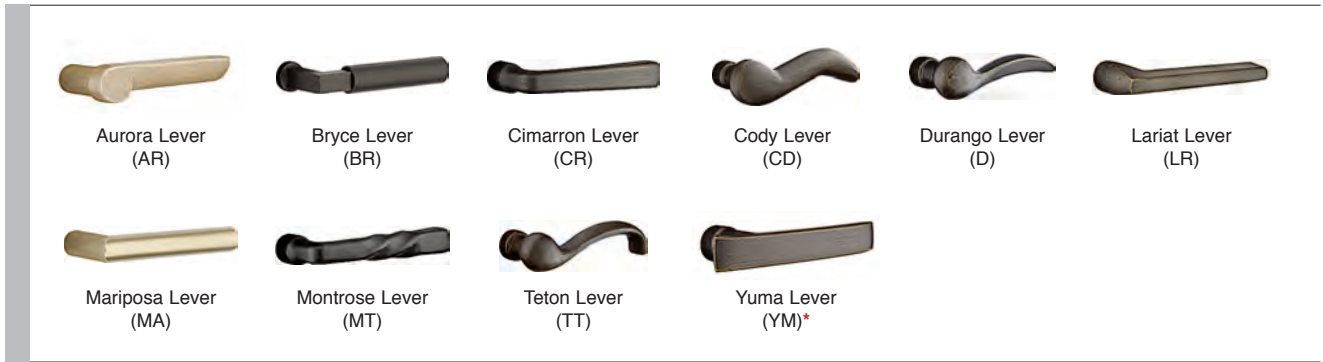
Arts & Crafts Lever
(AC)



Hammered Lever
(HM)

* Note: You will need to ensure the necessary opening/closing clearance when using certain lever designs. Dimensions from the center of the stem to the end of the lever overhang have been provided: T-Bar 3/4", Geneva 1 1/8", Myles 3/4", Freestone 1", Yuma 1 1/8".

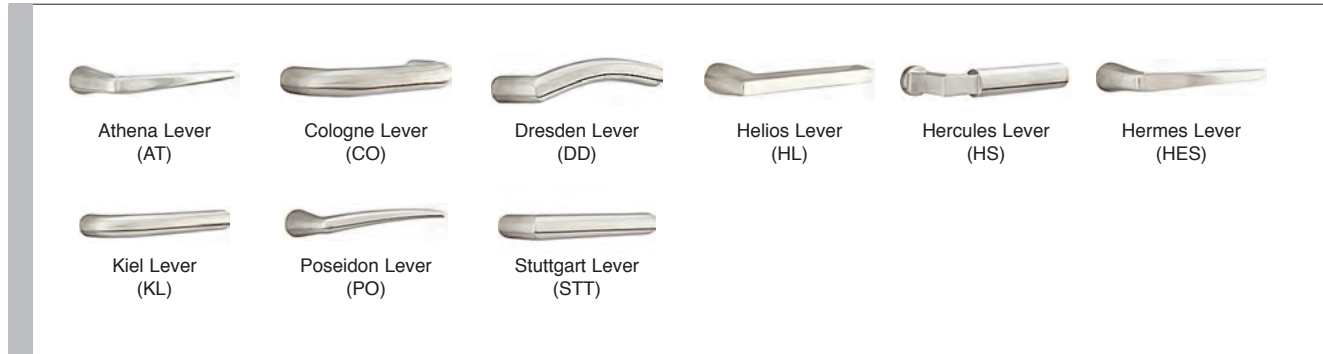
SANDCAST BRONZE



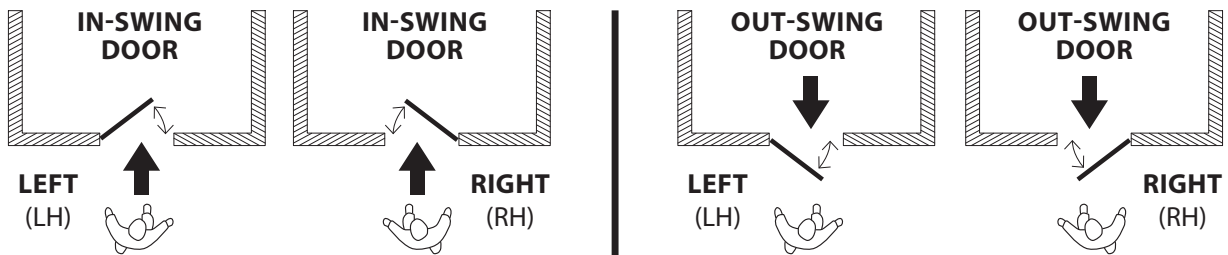
LOST WAX CAST BRONZE



STAINLESS STEEL



Determining handing for door hardware is different than determining handing for carpentry (ordering and hanging doors). If you follow the standard carpentry rules for handing door hardware, instead of following the diagram below, there is good chance you may end up with a lock that is handed incorrectly. Please refer to the diagram below and if you have any questions, call Customer Service at (800) 356-2741, Option 1.



HANDING OF DOOR IS ALWAYS DETERMINED FROM THE OUTSIDE

SELECT BRASS



L-Square Faceted
(LS.FA)



L-Square Hammered
(LS.HA)



L-Square Knurled
(LS.KN)



L-Square Tribeca
(LS.TR)



T-Bar Faceted
(TA.FA)



T-Bar Hammered
(TA.HA)



T-Bar Knurled
(TA.KN)



T-Bar Tribeca
(TA.TR)

MODERN BRASS

CLASSIC



Aireon Lever
(A)



Athena Lever
(ATN)



Hermes Lever
(HER)



Luzern Lever
(LU)



Poseidon Lever
(POS)



Stuttgart Lever
(STU)

DESIGNER



Argos Lever
(AG)



Aston Lever
(AST)



Basel Lever
(BA)



Breslin Lever
(BRL)



Dumont Lever
(DT)



Freestone Lever
(FRL)



Geneva Lever
(GV)



Helios Lever
(HLO)



Hercules Lever
(HEC)



Mercury Lever
(MC)



Myles Lever
(MYL)



Sion Lever
(SIO)



Spencer Lever
(SPN)



Triton Lever
(TRT)

SOLID BRASS

CLASSIC



Cortina Lever
(C)



Milano Lever
(M)



Rustic Lever
(R)



Turino Lever
(T)

DESIGNER



Coventry Lever
(CV)



Elan Lever
(EN)



Merrimack Lever
(ME)



Ribbon & Reed Lever
(RBL)



Rope Lever
(RL)



Santa Fe Lever
(SF)



Wembley Lever
(WM)

ARTS & CRAFTS BRASS



Arts & Crafts Lever
(AC)



Hammered Lever
(HM)



| | US3 Lifetime | US4 | US7 | US10B | US14 Lifetime | US15 | US15A | US19 | US26 | US3NL* | |
|---|-------------------------------------|-------------------|-----|-------|------------------|------|-------|------|------|--------|---|
| SELECT Brass Levers | L-Square Faceted (LS.FA) | | • | • | • | • | | • | • | • | |
| | L-Square Hammered (LS.HA) | | • | • | • | • | | • | • | • | |
| | L-Square Knurled (LS.KN) | | • | • | • | • | | • | • | • | |
| | L-Square Tribeca (LS.TR) | | • | • | • | • | | • | • | • | |
| | T-Bar Faceted (TA.FA) | | • | • | • | • | | • | • | • | |
| | T-Bar Hammered (TA.HA) | | • | • | • | • | | • | • | • | |
| | T-Bar Knurled (TA.KN) | | • | • | • | • | | • | • | • | |
| | T-Bar Tribeca (TA.TR) | | • | • | • | • | | • | • | • | |
| Modern Classic Brass Levers | Aireon Lever (A) | | • | • | | • | | • | • | • | |
| | Athena Lever (ATN) | | • | • | | • | | • | • | • | |
| | Hermes Lever (HER) | | • | • | | • | | • | • | • | |
| | Luzern Lever (LU) | | • | • | • | • | | • | • | • | |
| | Poseidon Lever (POS) | | • | • | | • | | • | • | • | |
| | Stuttgart Lever (STU) | | • | • | • | • | | • | • | • | |
| | Argos Lever (AG) | | • | • | • | • | | • | • | • | |
| Modern Designer Brass Levers | Aston Lever (AST) | | • | • | • | • | | • | • | • | |
| | Basel Lever (BA) | | • | • | | • | | • | • | • | |
| | Breslin Lever (BRL) | | • | • | • | • | | • | • | • | |
| | Dumont Lever (DT) | | • | • | • | • | | • | • | • | |
| | Freestone Lever (FRL) | | • | • | • | • | | • | • | • | |
| | Geneva Lever (GV) | | • | • | • | • | | • | • | • | |
| | Helios Lever (HLO) | | • | • | • | • | | • | • | • | |
| | Hercules Lever (HEC) | | • | • | • | • | | • | • | • | |
| | Mercury Lever (MC) | | • | • | | • | | • | • | • | |
| | Myles Lever (MYL) | | • | • | • | • | | • | • | • | |
| | Sion Lever (SIO) | | • | • | | • | | • | • | • | |
| | Spencer Lever (SPN) | | • | • | • | • | | • | • | • | |
| | Triton Lever (TRT) | | • | • | | • | | • | • | • | |
| | Classic Brass Levers | Cortina Lever (C) | • | | • | • | • | • | • | • | • |
| | | Milano Lever (M) | • | | • | • | • | • | • | • | • |
| Rustic Lever (R) | | • | | • | • | | • | • | • | • | |
| Turino Lever (T) | | • | | • | • | • | • | • | • | • | |
| Designer Brass Levers | Coventry Lever (CV) | • | | • | • | | • | • | | • | |
| | Elan Lever (EN) | • | | • | • | | • | | • | • | |
| | Merrimack Lever (ME) | • | | • | • | • | • | • | • | • | |
| | Ribbon & Reed Lever (RBL) | • | | • | • | | • | | • | • | |
| | Rope Lever (RL) | • | | • | • | | • | | • | • | |
| | Santa Fe Lever (SF) | • | | • | • | | • | | • | • | |
| | Wembley Lever (WM) | • | | • | • | | • | | • | • | |
| Arts & Crafts | Arts & Crafts Lever (AC) | | | • | | • | | • | | • | |
| | Hammered Lever (HM) | | | • | | • | | • | | • | |

*Unlacquered Brass (US3NL) is a custom, made-to-order finish. It is available with an upcharge, per item and requires an additional 2-3 day lead time. This living finish will gracefully age and evolve in appearance over time. Because of this characteristic, no finish warranty is offered on unlacquered brass products.

SANDCAST BRONZE



Aurora Lever
(AR)



Bryce Lever
(BR)



Cimarron Lever
(CR)



Cody Lever
(CD)



Durango Lever
(D)



Lariat Lever
(LR)



Mariposa Lever
(MA)



Montrose Lever
(MT)



Teton Lever
(TT)



Yuma Lever
(YM)

LOST WAX CAST BRONZE



Medici Lever
(MDI)



Napoli Lever
(NA)



Octagon Lever
(OCL)



Padua Lever
(PD)

STAINLESS STEEL



Athena Lever
(AT)



Cologne Lever
(CO)



Dresden Lever
(DD)



Helios Lever
(HL)



Hercules Lever
(HS)



Hermes Lever
(HES)



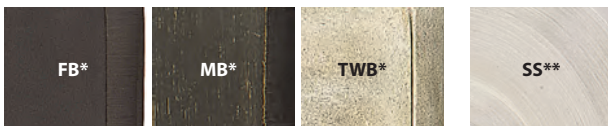
Kiel Lever
(KL)



Poseidon Lever
(PO)



Stuttgart Lever
(STT)



| | | FB* | MB* | TWB* |
|-----------------------------------|---------------------|-----|-----|------|
| Sandcast Bronze Levers | Aurora Lever (AR) | ● | ● | ● |
| | Bryce Lever (BR) | ● | ● | ● |
| | Cimarron Lever (CR) | ● | ● | ● |
| | Cody Lever (CD) | ● | ● | ● |
| | Durango Lever (D) | ● | ● | ● |
| | Lariat Lever (LR) | ● | ● | ● |
| | Mariposa Lever (MA) | ● | ● | ● |
| | Montrose Lever (MT) | ● | ● | ● |
| | Teton Lever (TT) | ● | ● | ● |
| | Yuma Lever (YM) | ● | ● | ● |

| | | FB* | MB* |
|--|---------------------|-----|-----|
| Lost Wax Cast Bronze Levers | Medici Lever (MDI) | ● | ● |
| | Napoli Lever (NA) | ● | ● |
| | Octagon Lever (OCL) | ● | ● |
| | Padua Lever (PD) | ● | ● |

| | | SS** |
|-----------------------------------|-----------------------|------|
| Stainless Steel Levers | Athena Lever (AT) | ● |
| | Cologne Lever (CO) | ● |
| | Dresden Lever (DD) | ● |
| | Helios Lever (HL) | ● |
| | Hercules Lever (HS) | ● |
| | Hermes Lever (HES) | ● |
| | Kiel Lever (KL) | ● |
| | Poseidon Lever (PO) | ● |
| | Stuttgart Lever (STT) | ● |

***Bronze Patina** is a living finish that will gracefully age, revealing the underlying bronze over time. Because of this characteristic, no finish warranty is offered on bronze patina products.

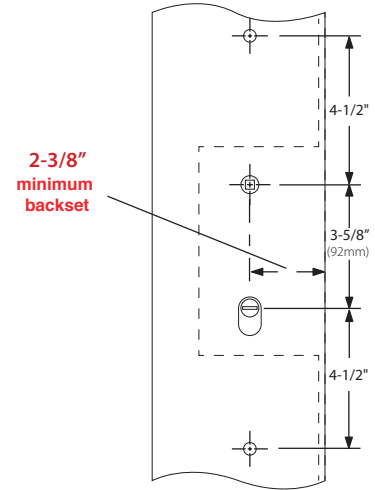
****Brushed Stainless Steel** carries a five-year finish warranty. All stainless steel will require some periodic cleaning to keep your hardware looking like new.

LARGE MULTI POINT ENTRY SETS

American Cylinder Hub, **Above / Below** Handle
3⁵/₈" Center to Center

2³/₈" Minimum Backset Required

Each Multi Point Lock Trim now includes the Spring Assist function which returns the lever to the neutral position and eliminates sagging handles.



Modern Rectangular
American Cylinder **Above** Handle
2¹/₂" x 17¹/₂" Keyed



Modern Rectangular
American Cylinder **Below** Handle
2¹/₂" x 17¹/₂" Keyed

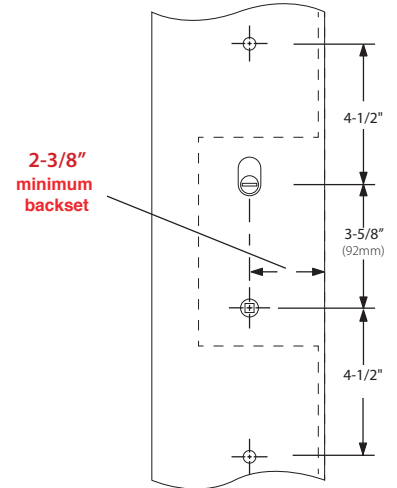
| BRASS PLATES, MODERN RECTANGULAR STYLE | Product Code | Lever Style (LH/RH) | Finish | List Price |
|---|--------------|---|--|------------|
| Sets with 2.5" x 17.5" Plates | | <i>See Page 8 for Brass & Modern Brass Lever Options.</i> | Satin Brass (US4) Oil Rubbed Bronze (US10B) Polished Nickel - Lifetime (US14) Satin Nickel (US15) Flat Black (US19) Polished Chrome (US26) Unlacquered Brass (US3NL)* | |
| Keyed with American Cylinder, Hub ABOVE Handle (Schlage® Keyway standard, Weiser® Keyway optional, rekeyable) | 1LR1 | | | \$364.00 |
| Dummy Pair | 1LR2 | | | \$364.00 |
| Keyed with American Cylinder, Hub BELOW Handle (Schlage® Keyway standard, Weiser® Keyway optional, rekeyable) | 1LR3 | | | \$364.00 |
| Dummy Pair | 1LR4 | | | \$364.00 |
| | | | *Unlacquered Brass (US3NL) finish available for a \$50 List Price upcharge per item. | |

Handing Required

- Key codes may be specified. Fits standard door thickness of 1³/₄". Specify if thicker.
- Set includes plates, handles and cylinders (where applicable). Multi Point lock mechanism is not included.

Weiser® (WR5) Keyway

- Specify by adding "W" to the beginning of Product Code.
- No upcharge for cylinder substitution. Can be keyed into existing Weiser® system.



Brass Melrose
American Cylinder **Above** Handle
2⁷/₈" x 17¹/₂" Keyed



Brass Melrose
American Cylinder **Below** Handle
2⁷/₈" x 17¹/₂" Keyed

| BRASS PLATES, MELROSE STYLE | Product Code | Lever Style (LH/RH) | Finish | List Price |
|---|--------------|---|--|-----------------|
| Sets with 2.9" x 17.5" Plates | | <i>See Page 8 for Brass & Modern Brass Lever Options.</i> | Polished Brass - Lifetime (US3) French Antique (US7) Oil Rubbed Bronze (US10B) Polished Nickel - Lifetime (US14) Satin Nickel (US15) Pewter (US15A) Flat Black (US19) Polished Chrome (US26) Unlacquered Brass (US3NL)* | |
| Keyed with American Cylinder, Hub ABOVE Handle (Schlage® Keyway standard, Weiser® Keyway optional, rekeyable) | 1LM1 | | | \$364.00 |
| Dummy Pair | 1LM2 | | | \$364.00 |
| Keyed with American Cylinder, Hub BELOW Handle (Schlage® Keyway standard, Weiser® Keyway optional, rekeyable) | 1LM3 | | | \$364.00 |
| Dummy Pair | 1LM4 | | \$364.00 | |
| | | | *Unlacquered Brass (US3NL) finish available for a \$50 List Price upcharge per item. | |

Handing Required

- Key codes may be specified. Fits standard door thickness of 1³/₄". Specify if thicker.
- Set includes plates, handles and cylinders (where applicable). Multi Point lock mechanism is not included.

Weiser® (WR5) Keyway

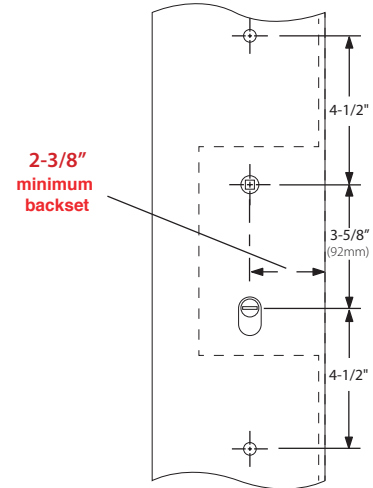
- Specify by adding "W" to the beginning of Product Code.
- No upcharge for cylinder substitution. Can be keyed into existing Weiser® system.

LARGE MULTI POINT ENTRY SETS

American Cylinder Hub, **Above / Below** Handle
3⁵/₈" Center to Center

2³/₈" Minimum Backset Required

Each Multi Point Lock Trim now includes the Spring Assist function which returns the lever to the neutral position and eliminates sagging handles.



Sandcast Bronze Arched
American Cylinder **Above** Handle
3" x 17¹/₂" Keyed



Sandcast Bronze Arched
American Cylinder **Below** Handle
3" x 17¹/₂" Dummy

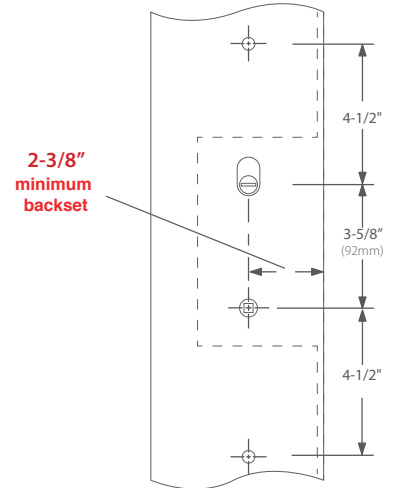
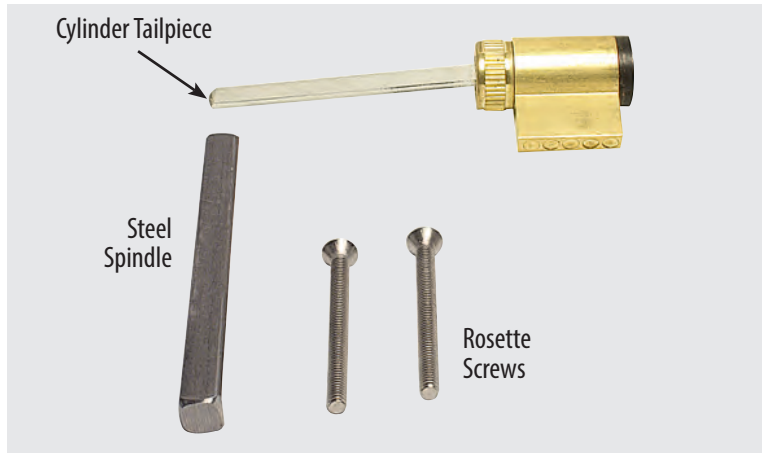
| SANDCAST BRONZE PLATES, ARCHED STYLE | Product Code | Lever Style (LH/RH) | Finish | List Price |
|---|--------------|--|--|-----------------|
| Sets with 3" x 17.5" Plates | | <i>See Page 9 for Sandcast Bronze Lever Options.</i> | Flat Black Bronze (FB) Medium Bronze (MB) Tumbled White Bronze (TWB) | |
| Keyed with American Cylinder, Hub ABOVE Handle (Schlage® Keyway standard, Weiser® Keyway optional, rekeyable) | 1LA1 | | | \$468.00 |
| Dummy Pair | 1LA2 | | | \$468.00 |
| Keyed with American Cylinder, Hub BELOW Handle (Schlage® Keyway standard, Weiser® Keyway optional, rekeyable) | 1LA3 | | | \$468.00 |
| Dummy Pair | 1LA4 | | \$468.00 | |

Handing Required

- Key codes may be specified. Fits standard door thickness of 1³/₄". Specify if thicker.
- Set includes plates, handles and cylinders (where applicable). Multi Point lock mechanism is not included.

Weiser® (WR5) Keyway

- Specify by adding "W" to the beginning of Product Code.
- No upcharge for cylinder substitution. Can be keyed into existing Weiser® system.



Keyed Plates with American Cylinder

| Standard Door Thickness: from 1 5/8" to 2" |
|---|
| Standard Components: • Single Cylinder Tailpiece • 3 3/4" Steel Spindle • 2" Rosette Screws • 1 1/2" Rosette Screws for 1 5/8" thick door |

| Extended Door Thickness: Over 2" to 2 3/4" |
|---|
| Extended Components: • Long Single Cylinder Tailpiece • 4 1/2" Steel Spindle • 2 1/2" Rosette Screws • 2" Rosette Screws for 2" - 2 1/8" thick door |

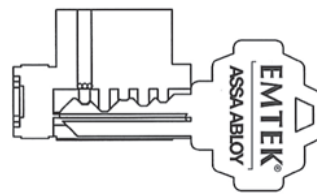
Dummy Plates

| Standard Door Thickness: from 1 5/8" to 2" |
|--|
| Standard Components: • 2" Rosette Screws • 1 1/2" Rosette Screws for 1 5/8" thick door |

| Extended Door Thickness: Over 2" to 2 3/4" |
|---|
| Extended Components: • 2 1/2" Rosette Screws • 2" Rosette Screws for 2" - 2 1/8" thick door |

CONSTRUCTION KEYING

- Lost ball system.
- Last four pin locations drilled for lost ball application.
- Master key pins used for code variability.
- Construction keys and owner keys sent separately.
- Order by indicating "**Construction Keyed, House #_**" next to applicable locks.



- Construction devices used on one or more of last four positions.



- Dimples drilled in plug in this position.

| Charge for Construction Keying - \$3.00 (NET) |
|---|
| • Locks that are both construction keyed and keyed alike in a house group will be charged a total of \$5.00 (NET) per cylinder. |

| Charge for Re-Keying - \$2.00 (NET) per Cylinder |
|---|
| • Locks that are keyed to code or keyed alike in a house group will be charged \$2.00 (NET) per cylinder. |

| Keying to Code |
|--|
| • Order by indicating "Key Code XXXXX" next to applicable locks. |

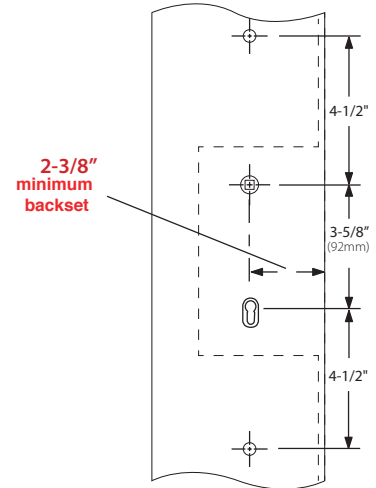
| Keying Alike |
|---|
| • Order by indicating "Keyed Alike" next to applicable locks if only one keyed alike group is wanted. |
| • If ordering multiple groups (houses) indicate " Keyed Alike House #_ " next to applicable locks. |

LARGE MULTI POINT ENTRY SETS

Euro Cylinder Hub, *Below* Handle
3⁵/₈" Center to Center

2³/₈" Minimum Backset Required

Each Multi Point Lock Trim now includes the Spring Assist function which returns the lever to the neutral position and eliminates sagging handles.



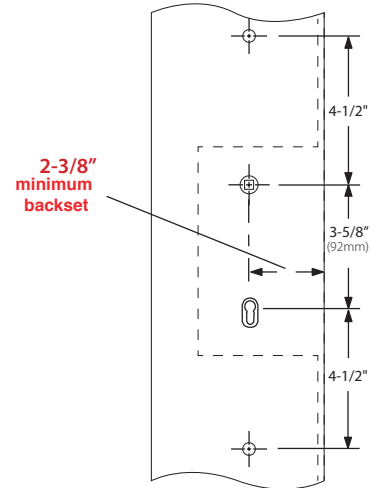
Modern Rectangular
 Euro Cylinder *Below* Handle
 2¹/₂" x 17¹/₂" Keyed

| BRASS PLATES, MODERN RECTANGULAR STYLE | Product Code | Lever Style (LH/RH) | Finish | List Price |
|---|--------------|---|--|-----------------|
| Sets with 2.5" x 17.5" Plates | | <i>See Page 8 for Brass & Modern Brass Lever Options.</i> | | |
| Keyed with Euro Profile Cylinder, Hub BELOW Handle (Schlage® Keyway standard, Rekeyable) | 2LR1 | | Satin Brass (US4) Oil Rubbed Bronze (US10B) Polished Nickel - Lifetime (US14) Satin Nickel (US15) Flat Black (US19) Polished Chrome (US26) Unlacquered Brass (US3NL)* | \$364.00 |
| Dummy Pair | 2LR2 | | | \$364.00 |
| | | | *Unlacquered Brass (US3NL) finish available for a \$50 List Price upcharge per item. | |

Handing Required

- Key codes may be specified. Fits standard door thickness of 1³/₄". Specify if thicker.
- Set includes plates, handles and cylinders (where applicable). Multi Point lock mechanism is not included.

Weiser® keyway not available with Euro cylinder.



Brass Melrose
Euro Cylinder **Below** Handle
2 7/8" x 1 7/2" Keyed

| BRASS PLATES, MELROSE STYLE | Product Code | Lever Style (LH/RH) | Finish | List Price |
|---|--------------|---|--|-----------------|
| Sets with 2.9" x 17.5" Plates | | <i>See Page 8 for Brass & Modern Brass Lever Options.</i> | | |
| Keyed with Euro Profile Cylinder, Hub BELOW Handle (Schlage® Keyway standard, Rekeyable) | 2LM1 | | Polished Brass - Lifetime (US3) French Antique (US7) Oil Rubbed Bronze (US10B) Polished Nickel - Lifetime (US14) Satin Nickel (US15) Pewter (US15A) Flat Black (US19) Polished Chrome (US26) Unlacquered Brass (US3NL)* | \$364.00 |
| Dummy Pair | 2LM2 | | \$364.00 | |
| | | | *Unlacquered Brass (US3NL) finish available for a \$50 List Price upcharge per item. | |

Handing Required

- Key codes may be specified. Fits standard door thickness of 1 3/4". Specify if thicker.
- Set includes plates, handles and cylinders (where applicable). Multi Point lock mechanism is not included.

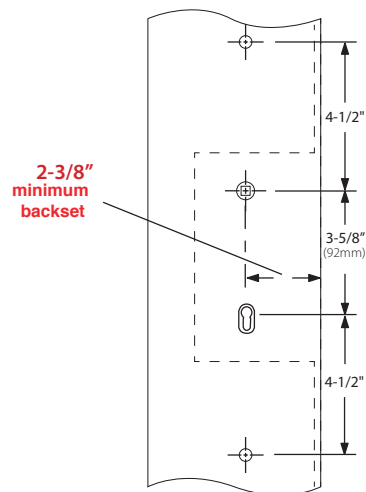
Weiser® keyway not available with Euro cylinder.

LARGE MULTI POINT ENTRY SETS

Euro Cylinder Hub, *Below* Handle
3⁵/₈" Center to Center

2³/₈" Minimum Backset Required

Each Multi Point Lock Trim now includes the Spring Assist function which returns the lever to the neutral position and eliminates sagging handles.



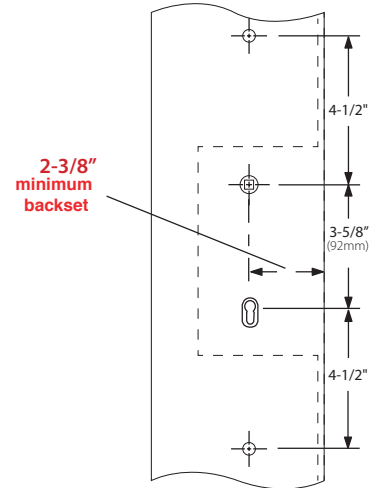
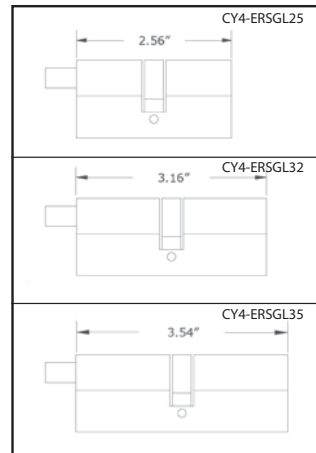
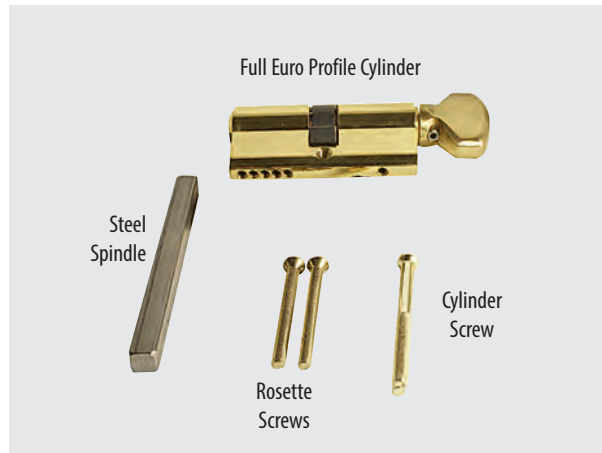
Sandcast Bronze Arched
 Euro Cylinder *Below* Handle
 3" x 17¹/₂" Keyed

| SANDCAST BRONZE PLATES, ARCHED STYLE | Product Code | Lever Style (LH/RH) | Finish | List Price |
|---|--------------|--|--|-----------------|
| Sets with 3" x 17.5" Plates | | <i>See Page 9 for Sandcast Bronze Lever Options.</i> | Flat Black Bronze (FB) Medium Bronze (MB) Tumbled White Bronze (TWB) | \$468.00 |
| Keyed with Euro Profile Cylinder , Hub BELOW Handle (Schlage® Keyway standard, Rekeyable) | 2LA1 | | | |
| Dummy Pair | 2LA2 | | | |

Handing Required

- Key codes may be specified. Fits standard door thickness of 1³/₄". Specify if thicker.
- Set includes plates, handles and cylinders (where applicable). Multi Point lock mechanism is not included.

Weiser® keyway not available with Euro cylinder.



Keyed Plates with Euro Profile Cylinder

| Standard Door Thickness: from 1 5/8" to 2" | Extended Door Thickness: Over 2" to 2 1/2" | Extended Door Thickness: Over 2 1/2" to 2 3/4" |
|---|---|--|
| Standard Components: <ul style="list-style-type: none"> • 2 3/16" Euro Profile Cylinder • 3 3/4" Steel Spindle • 1 1/2" Rosette Screws | Extended Components: <ul style="list-style-type: none"> • 3 3/32" Euro Profile Cylinder • 4 1/2" Steel Spindle • 2" Rosette Screws | Extended Components: <ul style="list-style-type: none"> • 3 17/32" Euro Profile Cylinder • 5" Steel Spindle • 3" Rosette Screws |

Dummy Plates

| Standard Door Thickness: from 1 5/8" to 2" | Extended Door Thickness: Over 2" to 2 3/4" |
|---|--|
| Standard Components: <ul style="list-style-type: none"> • 2" Rosette Screws • 1 1/2" Rosette Screws for 1 5/8" thick door | Extended Components: <ul style="list-style-type: none"> • 2 1/2" Rosette Screws • 2" Rosette Screws for 2" - 2 1/8" thick door |

CUSTOM KEYING

| |
|--|
| Charge for Re-Keying - \$2.00 (NET) per Cylinder <ul style="list-style-type: none"> • Locks that are keyed to code or keyed alike in a house group will be charged \$2.00 (NET) per cylinder. |
| Keying to Code <ul style="list-style-type: none"> • Order by indicating "Key Code XXXXX" next to applicable locks. |
| Keying Alike <ul style="list-style-type: none"> • Order by indicating "Keyed Alike" next to applicable locks if only one keyed alike group is wanted. • If ordering multiple groups (houses) indicate "Keyed Alike House #_" next to applicable locks. |

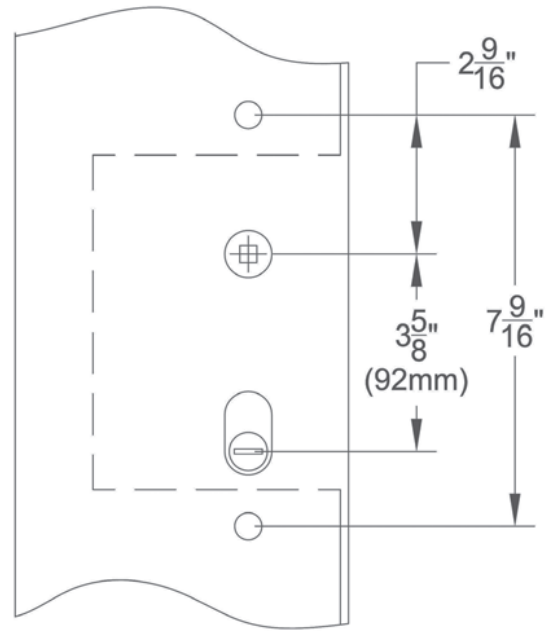
DOOR CONFIGURATION

#1

American Cylinder Hub Below Handle 3⁵/₈" Center-to-Center

ref. Atrium®, G-U®, KML by Andersen®, Andersen®
Marvin Integrity®, Paddock Lockmaster™, Superior®

Each Multi Point Lock Trim now includes the Spring Assist function which returns the lever to the neutral position and eliminates sagging handles.



Brass Concord
1¹/₂" x 11" Non-Keyed
Rustic Levers



Brass Concord
2" x 10" Keyed
Cortina Levers

| BRASS PLATES, CONCORD STYLE | Product Code | Lever Style (LH/RH) | Finish | List Price |
|---|--------------|---|---|-----------------|
| Sets with 1¹/₂" x 11" Plates | | <i>See Page 8 for Brass & Modern Brass Lever Options.</i> | Polished Brass - Lifetime (US3) French Antique (US7) Oil Rubbed Bronze (US10B) Satin Nickel (US15) Pewter (US15A) Flat Black (US19) Polished Chrome (US26) Unlacquered Brass (US3NL)* | \$203.00 |
| Keyed with American Cylinder (Schlage® Keyway standard, Weiser® Keyway optional, rekeyable) | 1171 | | | |
| Non-Keyed Passage | 1172 | | | |
| Non-Keyed American Style Thumbturn Inside | 1173 | | | |
| Non-Keyed Fixed Handle Outside, Operating Handle Inside | 1174 | | | |
| Dummy Pair | 1175 | | | |
| Sets with 2" x 10" Plates | | | | |
| Keyed with American Cylinder (Schlage® Keyway standard, Weiser® Keyway optional, rekeyable) | 1181 | | | |
| Non-Keyed Passage | 1182 | | | |
| Non-Keyed American Style Thumbturn Inside | 1183 | | | |
| Non-Keyed Fixed Handle Outside, Operating Handle Inside | 1184 | | | |
| Dummy Pair | 1185 | | | |

***Unlacquered Brass (US3NL)**
finish available for a \$40 List Price upcharge per item.

Handing Required

- Key codes may be specified. Fits standard door thickness of 1³/₄". Specify if thicker.
- Set includes plates, handles and cylinders (where applicable). Multi Point lock mechanism is not included.

Weiser® (WR5) Keyway

- Specify by adding "W" to the beginning of Product Code.
- No upcharge for cylinder substitution. Can be keyed into existing Weiser® system.



| BRASS PLATES, MODERN STYLE | Product Code | Lever Style (LH/RH) | Finish | List Price |
|---|--------------|---|--|-----------------|
| Sets with 1 1/2" x 11" Plates | | <i>See Page 8 for Brass & Modern Brass Lever Options.</i> | Satin Brass (US4) Oil Rubbed Bronze (US10B) Polished Nickel - Lifetime (US14) Satin Nickel (US15) Flat Black (US19) Polished Chrome (US26) Unlacquered Brass (US3NL)* | \$203.00 |
| Keyed with American Cylinder (Schlage® Keyway standard, Weiser® Keyway optional, rekeyable) | 11A1 | | | |
| Non-Keyed Passage | 11A2 | | | |
| Non-Keyed American Style Thumbturn Inside | 11A3 | | | |
| Non-Keyed Fixed Handle Outside, Operating Handle Inside | 11A4 | | | |
| Dummy Pair | 11A5 | | | |
| Sets with 2" x 10" Plates | | | | |
| Keyed with American Cylinder (Schlage® Keyway standard, Weiser® Keyway optional, rekeyable) | 11B1 | | | |
| Non-Keyed Passage | 11B2 | | | |
| Non-Keyed American Style Thumbturn Inside | 11B3 | | | |
| Non-Keyed Fixed Handle Outside, Operating Handle Inside | 11B4 | | | |
| Dummy Pair | 11B5 | | | |

***Unlacquered Brass (US3NL)**
finish available for a \$40 List Price upcharge per item.



| STAINLESS STEEL PLATES, MODERN STYLE | Product Code | Lever Style (LH/RH) | Finish | List Price |
|---|--------------|--|----------------------|-----------------|
| Sets with 1 1/2" x 11" Plates | | <i>See Page 9 for Stainless Steel Lever Options.</i> | Stainless Steel (SS) | \$203.00 |
| Keyed with American Cylinder (Schlage® Keyway standard, Weiser® Keyway optional, rekeyable) | 11A1 | | | |
| Non-Keyed Passage | 11A2 | | | |
| Non-Keyed American Style Thumbturn Inside | 11A3 | | | |
| Non-Keyed Fixed Handle Outside, Operating Handle Inside | 11A4 | | | |
| Dummy Pair | 11A5 | | | |
| Sets with 2" x 10" Plates | | | | |
| Keyed with American Cylinder (Schlage® Keyway standard, Weiser® Keyway optional, rekeyable) | 11B1 | | | |
| Non-Keyed Passage | 11B2 | | | |
| Non-Keyed American Style Thumbturn Inside | 11B3 | | | |
| Non-Keyed Fixed Handle Outside, Operating Handle Inside | 11B4 | | | |
| Dummy Pair | 11B5 | | | |

Handing Required

- Key codes may be specified. Fits standard door thickness of 1 3/4". Specify if thicker.
- Set includes plates, handles and cylinders (where applicable). Multi Point lock mechanism is not included.

Weiser® (WR5) Keyway

- Specify by adding "W" to the beginning of Product Code.
- No upcharge for cylinder substitution. Can be keyed into existing Weiser® system.

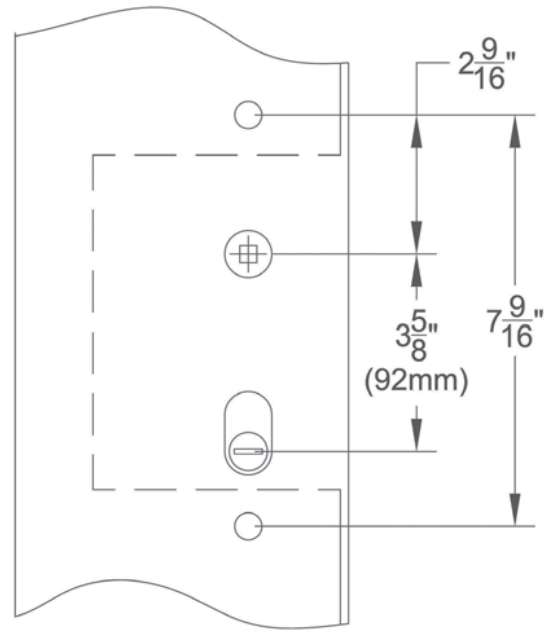
DOOR CONFIGURATION

#1

American Cylinder Hub Below Handle 3⁵/₈" Center-to-Center

ref. Atrium®, G-U®, KML by Andersen®, Andersen®
Marvin Integrity®, Paddock Lockmaster™, Superior®

Each Multi Point Lock Trim now includes the Spring Assist function which returns the lever to the neutral position and eliminates sagging handles.



Sandcast Arched
1½" x 11" Non-Keyed
Cimarron Levers



Sandcast Arched
2" x 10" Keyed
Durango Levers

| SANDCAST BRONZE PLATES, ARCHED STYLE | Product Code | Lever Style (LH/RH) | Finish | List Price |
|---|--------------|--|--|-----------------|
| Sets with 1½" x 11" Plates | | <i>See Page 9 for Sandcast Bronze Lever Options.</i> | Flat Black Bronze (FB) Medium Bronze (MB) Tumbled White Bronze (TWB) | \$226.00 |
| Keyed with American Cylinder (Schlage® Keyway standard, Weiser® Keyway optional, rekeyable) | 1111 | | | |
| Non-Keyed Passage | 1112 | | | |
| Non-Keyed American Style Thumbturn Inside | 1113 | | | |
| Non-Keyed Fixed Handle Outside, Operating Handle Inside | 1114 | | | |
| Dummy Pair | 1115 | | | |
| Sets with 2" x 10" Plates | | | | |
| Keyed with American Cylinder (Schlage® Keyway standard, Weiser® Keyway optional, rekeyable) | 1121 | | | |
| Non-Keyed Passage | 1122 | | | |
| Non-Keyed American Style Thumbturn Inside | 1123 | | | |
| Non-Keyed Fixed Handle Outside, Operating Handle Inside | 1124 | | | |
| Dummy Pair | 1125 | | | |

Handing Required

- Key codes may be specified. Fits standard door thickness of 1¾". Specify if thicker.
- Set includes plates, handles and cylinders (where applicable). Multi Point lock mechanism is not included.

Weiser® (WR5) Keyway

- Specify by adding "W" to the beginning of Product Code.
- No upcharge for cylinder substitution. Can be keyed into existing Weiser® system.



Sandcast Rectangular
1½" x 11" Non-Keyed
Cody Levers



Sandcast Rectangular
2" x 10" Keyed
Montrose Levers

| SANDCAST BRONZE PLATES, RECTANGULAR STYLE | Product Code | Lever Style (LH/RH) | Finish | List Price |
|--|--------------|--|--|-----------------|
| Sets with 1½" x 11" Plates | | <i>See Page 9 for Sandcast Bronze Lever Options.</i> | Flat Black Bronze (FB) Medium Bronze (MB) Tumbled White Bronze (TWB) | \$226.00 |
| Keyed with American Cylinder (Schlage® Keyway standard, Weiser® Keyway optional, rekeyable) | 1151 | | | |
| Non-Keyed Passage | 1152 | | | |
| Non-Keyed American Style Thumbturn Inside | 1153 | | | |
| Non-Keyed Fixed Handle Outside, Operating Handle Inside | 1154 | | | |
| Dummy Pair | 1155 | | | |
| Sets with 2" x 10" Plates | | | | |
| Keyed with American Cylinder (Schlage® Keyway standard, Weiser® Keyway optional, rekeyable) | 1161 | | | |
| Non-Keyed Passage | 1162 | | | |
| Non-Keyed American Style Thumbturn Inside | 1163 | | | |
| Non-Keyed Fixed Handle Outside, Operating Handle Inside | 1164 | | | |
| Dummy Pair | 1165 | | | |



Bronze Tuscany
1½" x 11" Non-Keyed
Octagon Levers



Bronze Tuscany
2" x 10" Keyed
Medici Levers

| LOST WAX CAST BRONZE PLATES, TUSCANY STYLE | Product Code | Lever Style (LH/RH) | Finish | List Price |
|--|--------------|---|--|-----------------|
| Sets with 1½" x 11" Plates | | <i>See Page 9 for Lost Wax Cast Bronze Lever Options.</i> | Flat Black Bronze (FB) Medium Bronze (MB) | \$226.00 |
| Keyed with American Cylinder (Schlage® Keyway standard, Weiser® Keyway optional, rekeyable) | 1131 | | | |
| Non-Keyed Passage | 1132 | | | |
| Non-Keyed American Style Thumbturn Inside | 1133 | | | |
| Non-Keyed Fixed Handle Outside, Operating Handle Inside | 1134 | | | |
| Dummy Pair | 1135 | | | |
| Sets with 2" x 10" Plates | | | | |
| Keyed with American Cylinder (Schlage® Keyway standard, Weiser® Keyway optional, rekeyable) | 1141 | | | |
| Non-Keyed Passage | 1142 | | | |
| Non-Keyed American Style Thumbturn Inside | 1143 | | | |
| Non-Keyed Fixed Handle Outside, Operating Handle Inside | 1144 | | | |
| Dummy Pair | 1145 | | | |

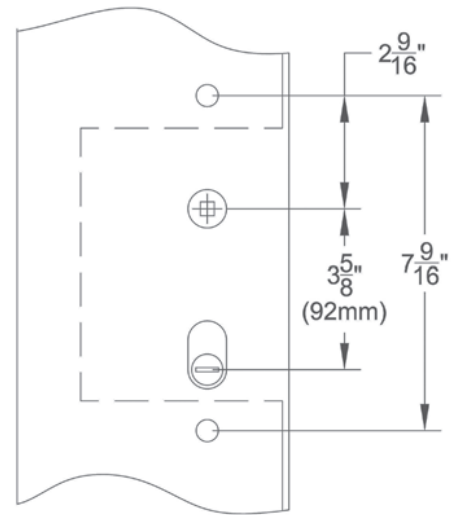
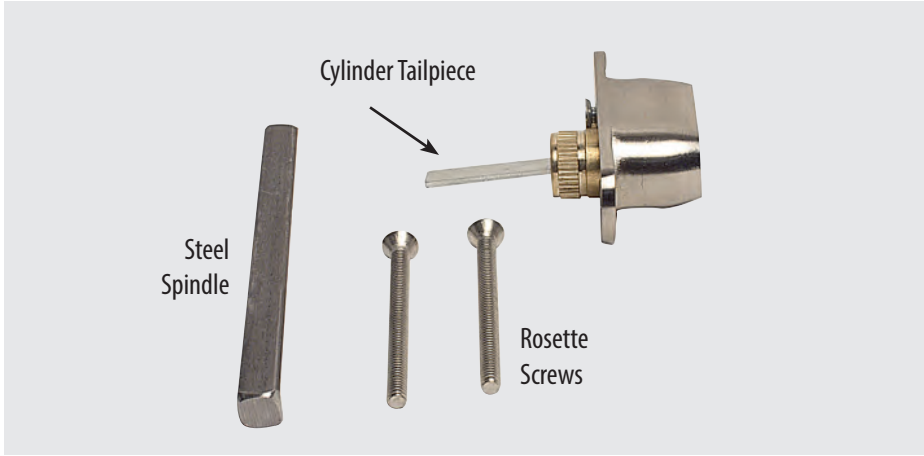
Handing Required

- Key codes may be specified. Fits standard door thickness of 1¾". Specify if thicker.
- Set includes plates, handles and cylinders (where applicable). Multi Point lock mechanism is not included.

Weiser® (WR5) Keyway

- Specify by adding "W" to the beginning of Product Code.
- No upcharge for cylinder substitution. Can be keyed into existing Weiser® system.

Door Configuration # 1 American Cylinder Below Handle 3 5/8" Center-to-Center



Keyed Plates with American Cylinder Includes non-keyed thumbturn inside

Standard Door Thickness: from 1 5/8" to 2"

Standard Components:

- Single Cylinder Tailpiece
- 3 3/4" Steel Spindle
- 2" Rosette Screws
- 1 1/2" Rosette Screws for 1 5/8" thick door

Extended Door Thickness: Over 2" to 2 3/4"

Extended Components:

- Long Single Cylinder Tailpiece
- 4 1/2" Steel Spindle
- 2 1/2" Rosette Screws
- 2" Rosette Screws for 2" - 2 1/8" thick door

Non-Keyed Plates Includes non-keyed passage, fixed handle out/operating handle in, and dummy (uses screws only)

Standard Door Thickness: from 1 5/8" to 2"

Standard Components:

- Thumbturn Tailpiece
- 3 3/4" Steel Spindle (half-spindle for fixed handle out/operating handle in)
- 2" Rosette Screws
- 1 1/2" Rosette Screws for 1 5/8" thick door

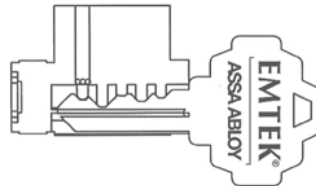
Extended Door Thickness: Over 2" to 2 3/4"

Extended Components:

- Long Thumbturn Tailpiece
- 4 1/2" Steel Spindle (half-spindle for fixed handle out/operating handle in)
- 2 1/2" Rosette Screws
- 2" Rosette Screws for 2" - 2 1/8" thick door

CONSTRUCTION KEYING

- Lost ball system.
- Last four pin locations drilled for lost ball application.
- Master key pins used for code variability.
- Construction keys and owner keys sent separately.
- Order by indicating "**Construction Keyed, House #_**" next to applicable locks.



- Construction devices used on one or more of last four positions.



- Dimples drilled in plug in this position.

Charge for Construction Keying - \$3.00 (NET)

- Locks that are both construction keyed and keyed alike in a house group will be charged a total of \$5.00 (NET) per cylinder.

Charge for Re-Keying - \$2.00 (NET) per Cylinder

- Locks that are keyed to code or keyed alike in a house group will be charged \$2.00 (NET) per cylinder.

Keying to Code

- Order by indicating "Key Code XXXXX" next to applicable locks.

Keying Alike

- Order by indicating "Keyed Alike" next to applicable locks if only one keyed alike group is wanted.
- If ordering multiple groups (houses) indicate "**Keyed Alike House #_**" next to applicable locks.

Set includes plates, handles and cylinders (where applicable). Multi Point lock mechanism is not included.

Atrium®, G-U®, KML by Andersen®, Andersen®, Marvin Integrity®, Paddock Lockmaster™, Superior®

| Keyed with American Cylinder (for Active Door, Schlage® Keyway Standard, Weiser® Keyway Optional, Rekeyable) | |
|---|--|
| <p>1 ½" x 11" Plates, Product Codes 1111, 1131, 1151, 1171, 11A1</p> | <p>2" x 10" Plates, Product Codes 1121, 1141, 1161, 1181, 11B1</p> |
| Non-Keyed, Passage (for Semi-Active Door) | |
| <p>1 ½" x 11" Plates, Product Codes 1112, 1132, 1152, 1172, 11A2</p> | <p>2" x 10" Plates, Product Codes 1122, 1142, 1162, 1182, 11B2</p> |
| Non-Keyed, American Style Thumbturn Inside (for Active Door) | |
| <p>1 ½" x 11" Plates, Product Codes 1113, 1133, 1153, 1173, 11A3</p> | <p>2" x 10" Plates, Product Codes 1123, 1143, 1163, 1183, 11B3</p> |
| Non-Keyed, Fixed Handle Outside, Operating Handle Inside (for Semi-Active Door) | |
| <p>1 ½" x 11" Plates, Product Codes 1114, 1134, 1154, 1174, 11A4</p> <p>Fixed</p> | <p>2" x 10" Plates, Product Codes 1124, 1144, 1164, 1184, 11B4</p> <p>Fixed</p> |
| Dummy Pair (for Non-Active Door) | |
| <p>1 ½" x 11" Plates, Product Codes 1115, 1135, 1155, 1175, 11A5</p> <p>Fixed</p> <p>Fixed</p> | <p>2" x 10" Plates, Product Codes 1125, 1145, 1165, 1185, 11B5</p> <p>Fixed</p> <p>Fixed</p> |

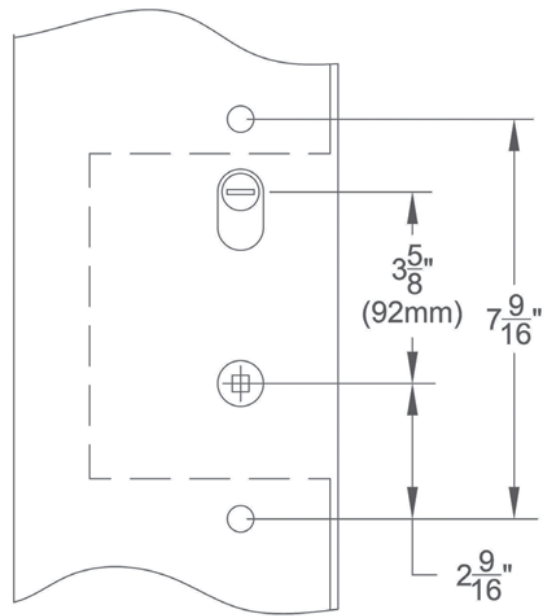
DOOR CONFIGURATION

#2

American Cylinder Hub Above Handle 3⁵/₈" Center-to-Center

ref. BiltBest®, G-U®, Hurd® (Energy Saver), Andersen®

Each Multi Point Lock Trim now includes the Spring Assist function which returns the lever to the neutral position and eliminates sagging handles.



Brass Concord
1¹/₂" x 11" Non-Keyed
Turino Levers



Brass Concord
2" x 10" Non-Keyed
Santa Fe Levers

| BRASS PLATES, CONCORD STYLE | Product Code | Lever Style (LH/RH) | Finish | List Price | | |
|---|--------------|---|---|-----------------|--|--|
| Sets with 1¹/₂" x 11" Plates | | <i>See Page 8 for Brass & Modern Brass Lever Options.</i> | Polished Brass - Lifetime (US3) French Antique (US7) Oil Rubbed Bronze (US10B) Satin Nickel (US15) Pewter (US15A) Flat Black (US19) Polished Chrome (US26) Unlacquered Brass (US3NL)* | \$203.00 | | |
| Keyed with American Cylinder (Schlage® Keyway standard, Weiser® Keyway optional, rekeyable) | 1271 | | | | | |
| Non-Keyed Passage | 1272 | | | | | |
| Non-Keyed American Style Thumbturn Inside | 1273 | | | | | |
| Non-Keyed Fixed Handle Outside, Operating Handle Inside | 1274 | | | | | |
| Dummy Pair | 1275 | | | | | |
| Sets with 2" x 10" Plates | | | | | | |
| Keyed with American Cylinder (Schlage® Keyway standard, Weiser® Keyway optional, rekeyable) | 1281 | | | | | |
| Non-Keyed Passage | 1282 | | | | | |
| Non-Keyed American Style Thumbturn Inside | 1283 | | | | | |
| Non-Keyed Fixed Handle Outside, Operating Handle Inside | 1284 | | | | | |
| Dummy Pair | 1285 | | | | | |

***Unlacquered Brass (US3NL)**
finish available for a \$40 List Price upcharge per item.

Handing Required

- Key codes may be specified. Fits standard door thickness of 1³/₄". Specify if thicker.
- Set includes plates, handles and cylinders (where applicable). Multi Point lock mechanism is not included.

Weiser® (WR5) Keyway

- Specify by adding "W" to the beginning of Product Code.
- No upcharge for cylinder substitution. Can be keyed into existing Weiser® system.



Brass Modern
1 1/2" x 11" Non-Keyed
Helios Levers



Brass Modern
2" x 10" Non-Keyed
Hercules Levers

| BRASS PLATES, MODERN STYLE | Product Code | Lever Style (LH/RH) | Finish | List Price |
|---|--------------|---|--|-----------------|
| Sets with 1 1/2" x 11" Plates | | <i>See Page 8 for Brass & Modern Brass Lever Options.</i> | Satin Brass (US4) Oil Rubbed Bronze (US10B) Polished Nickel - Lifetime (US14) Satin Nickel (US15) Flat Black (US19) Polished Chrome (US26) Unlacquered Brass (US3NL)* | \$203.00 |
| Keyed with American Cylinder (Schlage® Keyway standard, Weiser® Keyway optional, rekeyable) | 12A1 | | | |
| Non-Keyed Passage | 12A2 | | | |
| Non-Keyed American Style Thumbturn Inside | 12A3 | | | |
| Non-Keyed Fixed Handle Outside, Operating Handle Inside | 12A4 | | | |
| Dummy Pair | 12A5 | | | |
| Sets with 2" x 10" Plates | | | | |
| Keyed with American Cylinder (Schlage® Keyway standard, Weiser® Keyway optional, rekeyable) | 12B1 | | | |
| Non-Keyed Passage | 12B2 | | | |
| Non-Keyed American Style Thumbturn Inside | 12B3 | | | |
| Non-Keyed Fixed Handle Outside, Operating Handle Inside | 12B4 | | | |
| Dummy Pair | 12B5 | | | |

***Unlacquered Brass (US3NL)**
finish available for a \$40 List Price upcharge per item.



Stainless Steel
1 1/2" x 11" Keyed
Poseidon Levers



Stainless Steel
2" x 10" Non-Keyed
Hermes Levers

| STAINLESS STEEL PLATES, MODERN STYLE | Product Code | Lever Style (LH/RH) | Finish | List Price |
|---|--------------|--|----------------------|-----------------|
| Sets with 1 1/2" x 11" Plates | | <i>See Page 9 for Stainless Steel Lever Options.</i> | Stainless Steel (SS) | \$203.00 |
| Keyed with American Cylinder (Schlage® Keyway standard, Weiser® Keyway optional, rekeyable) | 12A1 | | | |
| Non-Keyed Passage | 12A2 | | | |
| Non-Keyed American Style Thumbturn Inside | 12A3 | | | |
| Non-Keyed Fixed Handle Outside, Operating Handle Inside | 12A4 | | | |
| Dummy Pair | 12A5 | | | |
| Sets with 2" x 10" Plates | | | | |
| Keyed with American Cylinder (Schlage® Keyway standard, Weiser® Keyway optional, rekeyable) | 12B1 | | | |
| Non-Keyed Passage | 12B2 | | | |
| Non-Keyed American Style Thumbturn Inside | 12B3 | | | |
| Non-Keyed Fixed Handle Outside, Operating Handle Inside | 12B4 | | | |
| Dummy Pair | 12B5 | | | |

Handing Required

- Key codes may be specified. Fits standard door thickness of 1 3/4". Specify if thicker.
- Set includes plates, handles and cylinders (where applicable). Multi Point lock mechanism is not included.

Weiser® (WR5) Keyway

- Specify by adding "W" to the beginning of Product Code.
- No upcharge for cylinder substitution. Can be keyed into existing Weiser® system.

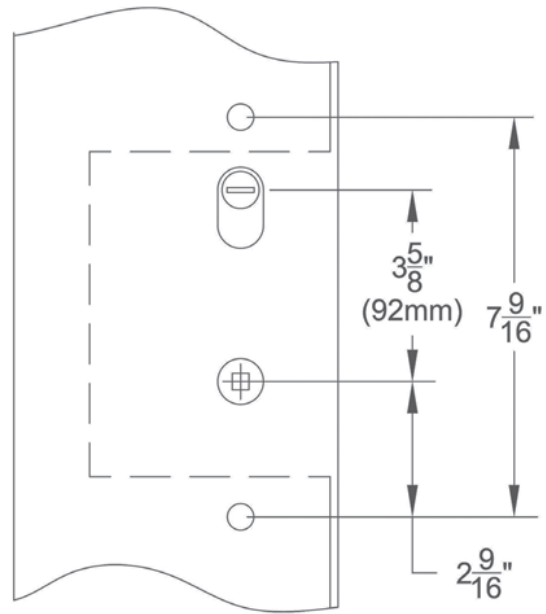
DOOR CONFIGURATION

#2

American Cylinder Hub Above Handle 3⁵/₈" Center-to-Center

ref. BiltBest®, G-U®, Hurd® (Energy Saver), Andersen®

Each Multi Point Lock Trim now includes the Spring Assist function which returns the lever to the neutral position and eliminates sagging handles.



Sandcast Arched
1¹/₂" x 11" Keyed
Durango Levers



Sandcast Arched
2" x 10" Keyed
Teton Levers

| SANDCAST BRONZE PLATES, ARCHED STYLE | Product Code | Lever Style (LH/RH) | Finish | List Price |
|--|--------------|--|--|-----------------|
| Sets with 1¹/₂" x 11" Plates | | <i>See Page 9 for Sandcast Bronze Lever Options.</i> | Flat Black Bronze (FB) Medium Bronze (MB) Tumbled White Bronze (TWB) | \$226.00 |
| Keyed with American Cylinder (Schlage® Keyway standard, Weiser® Keyway optional, rekeyable) | 1211 | | | |
| Non-Keyed Passage | 1212 | | | |
| Non-Keyed American Style Thumbturn Inside | 1213 | | | |
| Non-Keyed Fixed Handle Outside, Operating Handle Inside | 1214 | | | |
| Dummy Pair | 1215 | | | |
| Sets with 2" x 10" Plates | | | | |
| Keyed with American Cylinder (Schlage® Keyway standard, Weiser® Keyway optional, rekeyable) | 1221 | | | |
| Non-Keyed Passage | 1222 | | | |
| Non-Keyed American Style Thumbturn Inside | 1223 | | | |
| Non-Keyed Fixed Handle Outside, Operating Handle Inside | 1224 | | | |
| Dummy Pair | 1225 | | | |

Handing Required

- Key codes may be specified. Fits standard door thickness of 1³/₄". Specify if thicker.
- Set includes plates, handles and cylinders (where applicable). Multi Point lock mechanism is not included.

Weiser® (WR5) Keyway

- Specify by adding "W" to the beginning of Product Code.
- No upcharge for cylinder substitution. Can be keyed into existing Weiser® system.



| SANDCAST BRONZE PLATES, RECTANGULAR STYLE | | Product Code | Lever Style (LH/RH) | Finish | List Price |
|---|--|--------------|--|--|-----------------|
| Sets with 1 1/2" x 11" Plates | | 1251 | <i>See Page 9 for Sandcast Bronze Lever Options.</i> | Flat Black Bronze (FB) Medium Bronze (MB) Tumbled White Bronze (TWB) | \$226.00 |
| Keyed with American Cylinder (Schlage® Keyway standard, Weiser® Keyway optional, rekeyable) | | | | | |
| Non-Keyed Passage | | | | | |
| Non-Keyed American Style Thumbturn Inside | | | | | |
| Non-Keyed Fixed Handle Outside, Operating Handle Inside | | | | | |
| Dummy Pair | | | | | |
| Sets with 2" x 10" Plates | | 1261 | | | |
| Keyed with American Cylinder (Schlage® Keyway standard, Weiser® Keyway optional, rekeyable) | | | | | |
| Non-Keyed Passage | | | | | |
| Non-Keyed American Style Thumbturn Inside | | | | | |
| Non-Keyed Fixed Handle Outside, Operating Handle Inside | | | | | |
| Dummy Pair | | | | | |



| LOST WAX CAST BRONZE PLATES, TUSCANY STYLE | | Product Code | Lever Style (LH/RH) | Finish | List Price |
|---|--|--------------|---|--|-----------------|
| Sets with 1 1/2" x 11" Plates | | 1231 | <i>See Page 9 for Lost Wax Cast Bronze Lever Options.</i> | Flat Black Bronze (FB) Medium Bronze (MB) | \$226.00 |
| Keyed with American Cylinder (Schlage® Keyway standard, Weiser® Keyway optional, rekeyable) | | | | | |
| Non-Keyed Passage | | | | | |
| Non-Keyed American Style Thumbturn Inside | | | | | |
| Non-Keyed Fixed Handle Outside, Operating Handle Inside | | | | | |
| Dummy Pair | | | | | |
| Sets with 2" x 10" Plates | | 1241 | | | |
| Keyed with American Cylinder (Schlage® Keyway standard, Weiser® Keyway optional, rekeyable) | | | | | |
| Non-Keyed Passage | | | | | |
| Non-Keyed American Style Thumbturn Inside | | | | | |
| Non-Keyed Fixed Handle Outside, Operating Handle Inside | | | | | |
| Dummy Pair | | | | | |

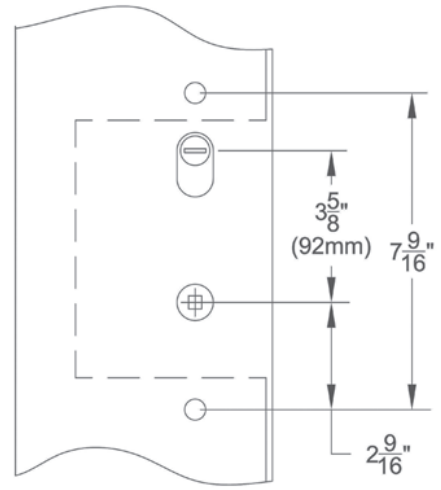
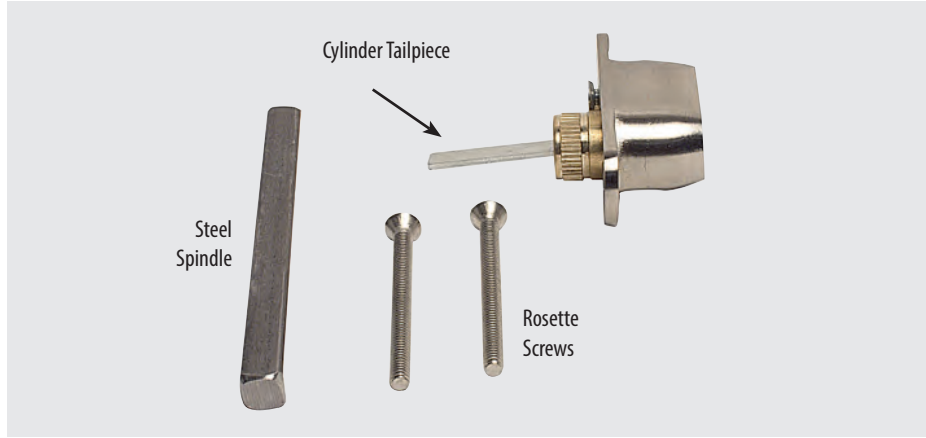
Handing Required

- Key codes may be specified. Fits standard door thickness of 1 3/4". Specify if thicker.
- Set includes plates, handles and cylinders (where applicable). Multi Point lock mechanism is not included.

Weiser® (WR5) Keyway

- Specify by adding "W" to the beginning of Product Code.
- No upcharge for cylinder substitution. Can be keyed into existing Weiser® system.

Door Configuration #2 American Cylinder Above Handle 3 5/8" Center-to-Center



Keyed Plates with American Cylinder Includes non-keyed thumbturn inside

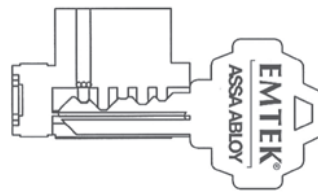
| Standard Door Thickness: from 1 5/8" to 2" | Extended Door Thickness: Over 2" to 2 3/4" |
|---|---|
| <p>Standard Components:</p> <ul style="list-style-type: none"> • Single Cylinder Tailpiece • 3 3/4" Steel Spindle • 2" Rosette Screws • 1 1/2" Rosette Screws for 1 5/8" thick door | <p>Extended Components:</p> <ul style="list-style-type: none"> • Long Single Cylinder Tailpiece • 4 1/2" Steel Spindle • 2 1/2" Rosette Screws • 2" Rosette Screws for 2" - 2 1/8" thick door |

Non-Keyed Plates Includes non-keyed passage, fixed handle out/operating handle in, and dummy (uses screws only)

| Standard Door Thickness: from 1 5/8" to 2" | Extended Door Thickness: Over 2" to 2 3/4" |
|---|---|
| <p>Standard Components:</p> <ul style="list-style-type: none"> • Thumbturn Tailpiece • 3 3/4" Steel Spindle (half-spindle for fixed handle out/operating handle in) • 2" Rosette Screws • 1 1/2" Rosette Screws for 1 5/8" thick door | <p>Extended Components:</p> <ul style="list-style-type: none"> • Long Thumbturn Tailpiece • 4 1/2" Steel Spindle (half-spindle for fixed handle out/operating handle in) • 2 1/2" Rosette Screws • 2" Rosette Screws for 2" - 2 1/8" thick door |

CONSTRUCTION KEYING

- Lost ball system.
- Last four pin locations drilled for lost ball application.
- Master key pins used for code variability.
- Construction keys and owner keys sent separately.
- Order by indicating "**Construction Keyed, House #_**" next to applicable locks.



- Construction devices used on one or more of last four positions.



- Dimples drilled in plug in this position.

Charge for Construction Keying - \$3.00 (NET)

- Locks that are both construction keyed and keyed alike in a house group will be charged a total of \$5.00 (NET) per cylinder.

Charge for Re-Keying - \$2.00 (NET) per Cylinder

- Locks that are keyed to code or keyed alike in a house group will be charged \$2.00 (NET) per cylinder.

Keying to Code

- Order by indicating "Key Code XXXXX" next to applicable locks.

Keying Alike

- Order by indicating "Keyed Alike" next to applicable locks if only one keyed alike group is wanted.
- If ordering multiple groups (houses) indicate "**Keyed Alike House #_**" next to applicable locks.

Set includes plates, handles and cylinders (where applicable). Multi Point lock mechanism is not included.

BiltBest®, G-U®, Hurd® (Energy Saver), Andersen®

| Keyed with American Cylinder (for Active Door, Schlage® Keyway Standard, Weiser® Keyway Optional, Rekeyable) | |
|---|---|
| <p>1 ½" x 11" Plates, Product Codes 1211, 1231, 1251, 1271, 12A1</p> | <p>2" x 10" Plates, Product Codes 1221, 1241, 1261, 1281, 12B1</p> |
| Non-Keyed, Passage (for Semi-Active Door) | |
| <p>1 ½" x 11" Plates, Product Codes 1212, 1232, 1252, 1272, 12A2</p> | <p>2" x 10" Plates, Product Codes 1222, 1242, 1262, 1282, 12B2</p> |
| Non-Keyed, American Style Thumbturn Inside (for Active Door) | |
| <p>1 ½" x 11" Plates, Product Codes 1213, 1233, 1253, 1273, 12A3</p> | <p>2" x 10" Plates, Product Codes 1223, 1243, 1263, 1283, 12B3</p> |
| Non-Keyed, Fixed Handle Outside, Operating Handle Inside (for Semi-Active Door) | |
| <p>1 ½" x 11" Plates, Product Codes 1214, 1234, 1254, 1274, 12A4</p> <p>Fixed</p> | <p>2" x 10" Plates, Product Codes 1224, 1244, 1264, 1284, 12B4</p> <p>Fixed</p> |
| Dummy Pair (for Non-Active Door) | |
| <p>1 ½" x 11" Plates, Product Codes 1215, 1235, 1255, 1275, 12A5</p> <p>Fixed</p> | <p>2" x 10" Plates, Product Codes 1225, 1245, 1265, 1285, 12B5</p> <p>Fixed</p> |

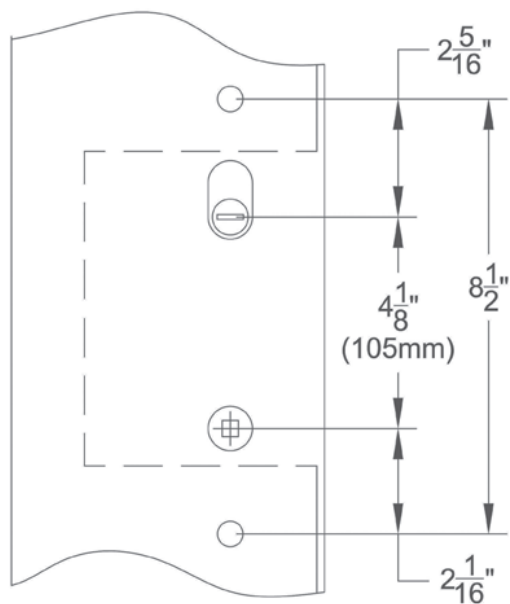
DOOR CONFIGURATION

#3

American Cylinder Hub Above Handle 4 1/8" Center-to-Center

ref. Andersen®

Each Multi Point Lock Trim now includes the Spring Assist function which returns the lever to the neutral position and eliminates sagging handles.



Brass Concord
1 1/2" x 11" Keyed
Wembley Levers



Brass Concord
2" x 10" Non-Keyed
Rope Levers

| BRASS PLATES, CONCORD STYLE | Product Code | Lever Style (LH/RH) | Finish | List Price |
|--|--------------|---|---|-----------------|
| Sets with 1 1/2" x 11" Plates | | <i>See Page 8 for Brass & Modern Brass Lever Options.</i> | Polished Brass - Lifetime (US3) French Antique (US7) Oil Rubbed Bronze (US10B) Satin Nickel (US15) Pewter (US15A) Flat Black (US19) Polished Chrome (US26) Unlacquered Brass (US3NL)* | \$203.00 |
| Keyed with American Cylinder (Schlage® Keyway standard, Weiser® Keyway optional, Rekeyable) | 1371 | | | |
| Non-Keyed Passage | 1372 | | | |
| Non-Keyed American Style Thumbturn Inside | 1373 | | | |
| Non-Keyed Fixed Handle Outside, Operating Handle Inside | 1374 | | | |
| Dummy Pair | 1375 | | | |
| Sets with 2" x 10" Plates | | | | |
| Keyed with American Cylinder (Schlage® Keyway standard, Weiser® Keyway optional, Rekeyable) | 1381 | | | |
| Non-Keyed Passage | 1382 | | | |
| Non-Keyed American Style Thumbturn Inside | 1383 | | | |
| Non-Keyed Fixed Handle Outside, Operating Handle Inside | 1384 | | | |
| Dummy Pair | 1385 | | | |

***Unlacquered Brass (US3NL)**
finish available for a \$40 List Price
upcharge per item.

Handing Required

- Key codes may be specified. Fits standard door thickness of 1 3/4". Specify if thicker.
- Set includes plates, handles and cylinders (where applicable). Multi Point lock mechanism is not included.

Weiser® (WR5) Keyway

- Specify by adding "W" to the beginning of Product Code.
- No upcharge for cylinder substitution. Can be keyed into existing Weiser® system.



| BRASS PLATES, MODERN STYLE | Product Code | Lever Style (LH/RH) | Finish | List Price |
|---|--------------|---|--|-----------------|
| Sets with 1 1/2" x 11" Plates | | <i>See Page 8 for Brass & Modern Brass Lever Options.</i> | Satin Brass (US4) Oil Rubbed Bronze (US10B) Polished Nickel - Lifetime (US14) Satin Nickel (US15) Flat Black (US19) Polished Chrome (US26) Unlacquered Brass (US3NL)* | \$203.00 |
| Keyed with American Cylinder (Schlage® Keyway standard, Weiser® Keyway optional, Rekeyable) | 13A1 | | | |
| Non-Keyed Passage | 13A2 | | | |
| Non-Keyed American Style Thumbturn Inside | 13A3 | | | |
| Non-Keyed Fixed Handle Outside, Operating Handle Inside | 13A4 | | | |
| Dummy Pair | 13A5 | | | |
| Sets with 2" x 10" Plates | | | | |
| Keyed with American Cylinder (Schlage® Keyway standard, Weiser® Keyway optional, Rekeyable) | 13B1 | | | |
| Non-Keyed Passage | 13B2 | | | |
| Non-Keyed American Style Thumbturn Inside | 13B3 | | | |
| Non-Keyed Fixed Handle Outside, Operating Handle Inside | 13B4 | | | |
| Dummy Pair | 13B5 | | | |

***Unlacquered Brass (US3NL)**
finish available for a \$40 List Price upcharge per item.



| STAINLESS STEEL PLATES, MODERN STYLE | Product Code | Lever Style (LH/RH) | Finish | List Price |
|---|--------------|--|----------------------|-----------------|
| Sets with 1 1/2" x 11" Plates | | <i>See Page 9 for Stainless Steel Lever Options.</i> | Stainless Steel (SS) | \$203.00 |
| Keyed with American Cylinder (Schlage® Keyway standard, Weiser® Keyway optional, Rekeyable) | 13A1 | | | |
| Non-Keyed Passage | 13A2 | | | |
| Non-Keyed American Style Thumbturn Inside | 13A3 | | | |
| Non-Keyed Fixed Handle Outside, Operating Handle Inside | 13A4 | | | |
| Dummy Pair | 13A5 | | | |
| Sets with 2" x 10" Plates | | | | |
| Keyed with American Cylinder (Schlage® Keyway standard, Weiser® Keyway optional, Rekeyable) | 13B1 | | | |
| Non-Keyed Passage | 13B2 | | | |
| Non-Keyed American Style Thumbturn Inside | 13B3 | | | |
| Non-Keyed Fixed Handle Outside, Operating Handle Inside | 13B4 | | | |
| Dummy Pair | 13B5 | | | |

Handing Required

- Key codes may be specified. Fits standard door thickness of 1 3/4". Specify if thicker.
- Set includes plates, handles and cylinders (where applicable). Multi Point lock mechanism is not included.

Weiser® (WR5) Keyway

- Specify by adding "W" to the beginning of Product Code.
- No upcharge for cylinder substitution. Can be keyed into existing Weiser® system.

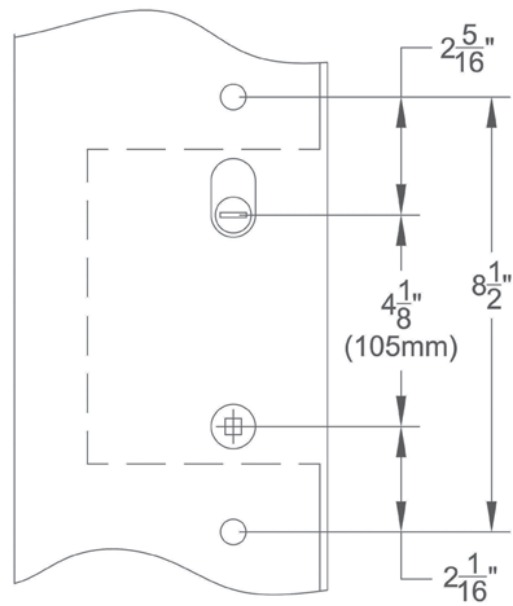
DOOR CONFIGURATION

#3

American Cylinder Hub Above Handle 4 1/8" Center-to-Center

ref. Andersen®

Each Multi Point Lock Trim now includes the Spring Assist function which returns the lever to the neutral position and eliminates sagging handles.



Sandcast Arched
1 1/2" x 11" Keyed
Durango Levers



Sandcast Arched
2" x 10" Non-Keyed
Cody Levers

| SANDCAST BRONZE PLATES, ARCHED STYLE | Product Code | Lever Style (LH/RH) | Finish | List Price |
|---|--------------|--|--|-----------------|
| Sets with 1 1/2" x 11" Plates | | <i>See Page 9 for Sandcast Bronze Lever Options.</i> | Flat Black Bronze (FB) Medium Bronze (MB) Tumbled White Bronze (TWB) | \$226.00 |
| Keyed with American Cylinder (Schlage® Keyway standard, Weiser® Keyway optional, Rekeyable) | 1311 | | | |
| Non-Keyed Passage | 1312 | | | |
| Non-Keyed American Style Thumbturn Inside | 1313 | | | |
| Non-Keyed Fixed Handle Outside, Operating Handle Inside | 1314 | | | |
| Dummy Pair | 1315 | | | |
| Sets with 2" x 10" Plates | | | | |
| Keyed with American Cylinder (Schlage® Keyway standard, Weiser® Keyway optional, Rekeyable) | 1321 | | | |
| Non-Keyed Passage | 1322 | | | |
| Non-Keyed American Style Thumbturn Inside | 1323 | | | |
| Non-Keyed Fixed Handle Outside, Operating Handle Inside | 1324 | | | |
| Dummy Pair | 1325 | | | |

Handing Required

- Key codes may be specified. Fits standard door thickness of 1 3/4". Specify if thicker.
- Set includes plates, handles and cylinders (where applicable). Multi Point lock mechanism is not included.

Weiser® (WR5) Keyway

- Specify by adding "W" to the beginning of Product Code.
- No upcharge for cylinder substitution. Can be keyed into existing Weiser® system.



Sandcast Rectangular
1 1/2" x 11" Keyed
Lariat Levers



Sandcast Rectangular
2" x 10" Keyed
Montrose Levers

| SANDCAST BRONZE PLATES, RECTANGULAR STYLE | | Product Code | Lever Style (LH/RH) | Finish | List Price |
|---|------|--------------|--|--|-----------------|
| Sets with 1 1/2" x 11" Plates | | | <i>See Page 9 for Sandcast Bronze Lever Options.</i> | Flat Black Bronze (FB) Medium Bronze (MB) Tumbled White Bronze (TWB) | \$226.00 |
| Keyed with American Cylinder (Schlage® Keyway standard, Weiser® Keyway optional, Rekeyable) | 1351 | | | | |
| Non-Keyed Passage | 1352 | | | | |
| Non-Keyed American Style Thumbturn Inside | 1353 | | | | |
| Non-Keyed Fixed Handle Outside, Operating Handle Inside | 1354 | | | | |
| Dummy Pair | 1355 | | | | |
| Sets with 2" x 10" Plates | | | | | |
| Keyed with American Cylinder (Schlage® Keyway standard, Weiser® Keyway optional, Rekeyable) | 1361 | | | | |
| Non-Keyed Passage | 1362 | | | | |
| Non-Keyed American Style Thumbturn Inside | 1363 | | | | |
| Non-Keyed Fixed Handle Outside, Operating Handle Inside | 1364 | | | | |
| Dummy Pair | 1365 | | | | |



Bronze Tuscany
1 1/2" x 11" Keyed
Medici Levers



Bronze Tuscany
2" x 10" Non-Keyed
Padua Levers

| LOST WAX CAST BRONZE PLATES, TUSCANY STYLE | | Product Code | Lever Style (LH/RH) | Finish | List Price |
|---|------|--------------|---|--|-----------------|
| Sets with 1 1/2" x 11" Plates | | | <i>See Page 9 for Lost Wax Cast Bronze Lever Options.</i> | Flat Black Bronze (FB) Medium Bronze (MB) | \$226.00 |
| Keyed with American Cylinder (Schlage® Keyway standard, Weiser® Keyway optional, Rekeyable) | 1331 | | | | |
| Non-Keyed Passage | 1332 | | | | |
| Non-Keyed American Style Thumbturn Inside | 1333 | | | | |
| Non-Keyed Fixed Handle Outside, Operating Handle Inside | 1334 | | | | |
| Dummy Pair | 1335 | | | | |
| Sets with 2" x 10" Plates | | | | | |
| Keyed with American Cylinder (Schlage® Keyway standard, Weiser® Keyway optional, Rekeyable) | 1341 | | | | |
| Non-Keyed Passage | 1342 | | | | |
| Non-Keyed American Style Thumbturn Inside | 1343 | | | | |
| Non-Keyed Fixed Handle Outside, Operating Handle Inside | 1344 | | | | |
| Dummy Pair | 1345 | | | | |

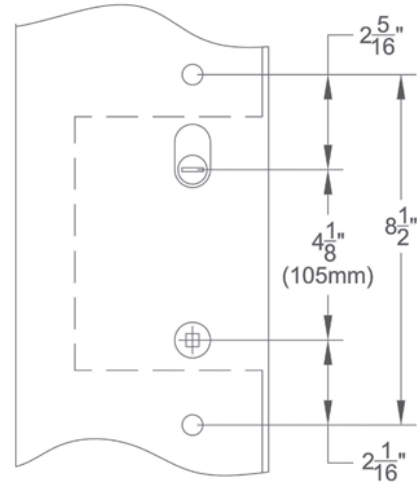
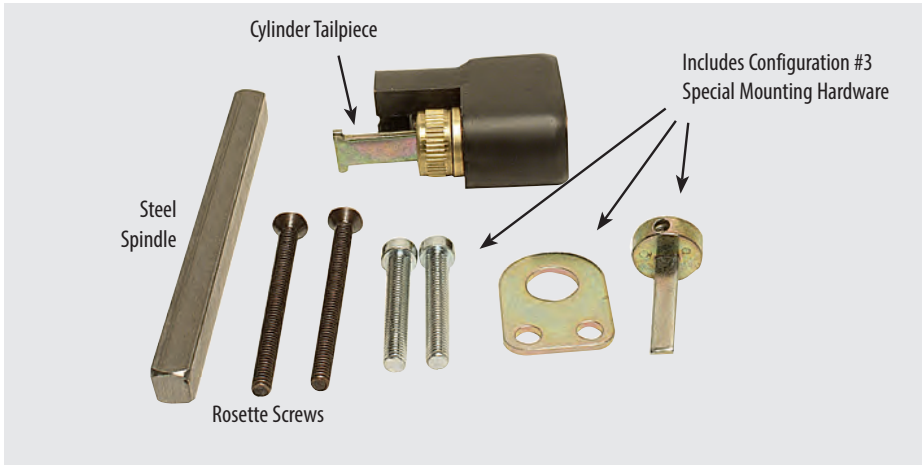
Handing Required

- Key codes may be specified. Fits standard door thickness of 1 3/4". Specify if thicker.
- Set includes plates, handles and cylinders (where applicable). Multi Point lock mechanism is not included.

Weiser® (WR5) Keyway

- Specify by adding "W" to the beginning of Product Code.
- No upcharge for cylinder substitution. Can be keyed into existing Weiser® system.

Door Configuration #3 American Cylinder Above Handle 4 1/8" Center-to-Center



Keyed Plates with American Cylinder Includes non-keyed thumbturn inside

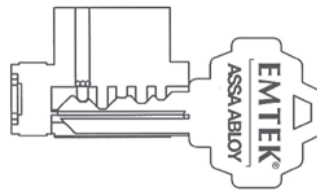
| Standard Door Thickness: from 1 5/8" to 2" | Extended Door Thickness: Over 2" to 2 3/4" |
|---|--|
| <p>Standard Components:</p> <ul style="list-style-type: none"> • Single Cylinder Tailpiece • 3 3/4" Steel Spindle • 2" Rosette Screws • 1 1/2" Rosette Screws for 1 5/8" thick door | <p>Extended Components:</p> <ul style="list-style-type: none"> • Single Cylinder Tailpiece • 4 1/2" Steel Spindle • 2 1/2" Rosette Screws • 2" Rosette Screws for 2" - 2 1/8" thick door |

Non-Keyed Plates Includes non-keyed passage, fixed handle out/operating handle in, and dummy (uses screws only)

| Standard Door Thickness: from 1 5/8" to 2" | Extended Door Thickness: Over 2" to 2 3/4" |
|--|---|
| <p>Standard Components:</p> <ul style="list-style-type: none"> • Configuration #3 Thumbturn Tailpiece • 3 3/4" Steel Spindle (half-spindle for fixed handle out/operating handle in) • 2" Rosette Screws • 1 1/2" Rosette Screws for 1 5/8" thick door | <p>Extended Components:</p> <ul style="list-style-type: none"> • Configuration #3 Thumbturn Tailpiece • 4 1/2" Steel Spindle (half-spindle for fixed handle out/operating handle in) • 2 1/2" Rosette Screws • 2" Rosette Screws for 2" - 2 1/8" thick door |

CONSTRUCTION KEYING

- Lost ball system.
- Last four pin locations drilled for lost ball application.
- Master key pins used for code variability.
- Construction keys and owner keys sent separately.
- Order by indicating "Construction Keyed, House #_" next to applicable locks.



- Construction devices used on one or more of last four positions.



- Dimples drilled in plug in this position.

| |
|---|
| <p>Charge for Construction Keying - \$3.00 (NET)</p> <ul style="list-style-type: none"> • Locks that are both construction keyed and keyed alike in a house group will be charged a total of \$5.00 (NET) per cylinder. |
|---|

| |
|--|
| <p>Charge for Re-Keying - \$2.00 (NET) per Cylinder</p> <ul style="list-style-type: none"> • Locks that are keyed to code or keyed alike in a house group will be charged \$2.00 (NET) per cylinder. |
|--|

| |
|---|
| <p>Keying to Code</p> <ul style="list-style-type: none"> • Order by indicating "Key Code XXXXX" next to applicable locks. |
|---|

| |
|--|
| <p>Keying Alike</p> <ul style="list-style-type: none"> • Order by indicating "Keyed Alike" next to applicable locks if only one keyed alike group is wanted. • If ordering multiple groups (houses) indicate "Keyed Alike House #_" next to applicable locks. |
|--|

Set includes plates, handles and cylinders (where applicable). Multi Point lock mechanism is not included.
Andersen®

| | |
|---|---|
| Keyed with American Cylinder (for Active Door, Schlage® Keyway Standard, Weiser® Keyway Optional, Rekeyable) | |
| <p>1 ½" x 11" Plates, Product Codes 1311, 1331, 1351, 1371, 13A1</p> | <p>2" x 10" Plates, Product Codes 1321, 1341, 1361, 1381, 13B1</p> |
| Non-Keyed, Passage (for Semi-Active Door) | |
| <p>1 ½" x 11" Plates, Product Codes 1312, 1332, 1352, 1372, 13A2</p> | <p>2" x 10" Plates, Product Codes 1322, 1342, 1362, 1382, 13B2</p> |
| Non-Keyed, American Style Thumbturn Inside (for Active Door) | |
| <p>1 ½" x 11" Plates, Product Codes 1313, 1333, 1353, 1373, 13A3</p> | <p>2" x 10" Plates, Product Codes 1323, 1343, 1363, 1383, 13B3</p> |
| Non-Keyed, Fixed Handle Outside, Operating Handle Inside (for Semi-Active Door) | |
| <p>1 ½" x 11" Plates, Product Codes 1314, 1334, 1354, 1374, 13A4</p> | <p>2" x 10" Plates, Product Codes 1324, 1344, 1364, 1384, 13B4</p> |
| Dummy Pair (for Non-Active Door) | |
| <p>1 ½" x 11" Plates, Product Codes 1315, 1335, 1355, 1375, 13A5</p> | <p>2" x 10" Plates, Product Codes 1325, 1345, 1365, 1385, 13B5</p> |

DOOR CONFIGURATION

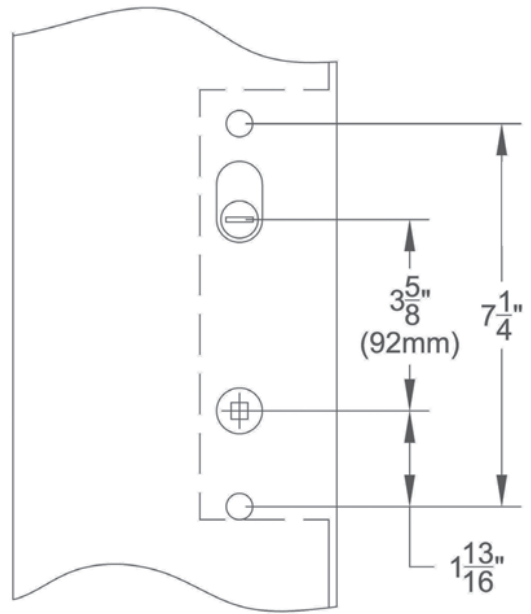
#4

American Cylinder Hub Above Handle 3 5/8" Center-to-Center

ref. Ashland®, G-U®, Caradco®, JELD-WEN®
Jeldwen® Custom Collection (formerly Pozzi®)
Marvin®, PGT®, Premium Collection (formerly Norco®)
Weathershield®

Each Multi Point Lock Trim now includes the Spring Assist function which returns the lever to the neutral position and eliminates sagging handles.

See Configuration #1 for Marvin Integrity® Doors



Brass Concord
1 1/2" x 11" Keyed
Coventry Levers



Brass Concord
2" x 10" Non-Keyed
Santa Fe Levers

| BRASS PLATES, CONCORD STYLE | Product Code | Lever Style (LH/RH) | Finish | List Price |
|---|--------------|---|---|-----------------|
| Sets with 1 1/2" x 11" Plates | | <i>See Page 8 for Brass & Modern Brass Lever Options.</i> | Polished Brass - Lifetime (US3) French Antique (US7) Oil Rubbed Bronze (US10B) Satin Nickel (US15) Pewter (US15A) Flat Black (US19) Polished Chrome (US26) Unlacquered Brass (US3NL)* | \$203.00 |
| Keyed with American Cylinder (Schlage® Keyway standard, Weiser® Keyway optional, Rekeyable) | 1471 | | | |
| Non-Keyed Passage | 1472 | | | |
| Non-Keyed American Style Thumbturn Inside | 1473 | | | |
| Non-Keyed Fixed Handle Outside, Operating Handle Inside | 1474 | | | |
| Dummy Pair | 1475 | | | |
| Sets with 2" x 10" Plates | | | | |
| Keyed with American Cylinder (Schlage® Keyway standard, Weiser® Keyway optional, Rekeyable) | 1481 | | | |
| Non-Keyed Passage | 1482 | | | |
| Non-Keyed American Style Thumbturn Inside | 1483 | | | |
| Non-Keyed Fixed Handle Outside, Operating Handle Inside | 1484 | | | |
| Dummy Pair | 1485 | | | |

***Unlacquered Brass (US3NL)**
finish available for a \$40 List Price upcharge per item.

Handing Required

- Key codes may be specified. Fits standard door thickness of 1 3/4". Specify if thicker.
- Set includes plates, handles and cylinders (where applicable). Multi Point lock mechanism is not included.

Weiser® (WR5) Keyway

- Specify by adding "W" to the beginning of Product Code.
- No upcharge for cylinder substitution. Can be keyed into existing Weiser® system.



Brass Modern
1 1/2" x 11" Keyed
Aireon Levers



Brass Modern
2" x 10" Non-Keyed
Hercules Levers

| BRASS PLATES, MODERN STYLE | Product Code | Lever Style (LH/RH) | Finish | List Price |
|---|--------------|---|--|-----------------|
| Sets with 1 1/2" x 11" Plates | | <i>See Page 8 for Brass & Modern Brass Lever Options.</i> | Satin Brass (US4) Oil Rubbed Bronze (US10B) Polished Nickel - Lifetime (US14) Satin Nickel (US15) Flat Black (US19) Polished Chrome (US26) Unlacquered Brass (US3NL)* | \$203.00 |
| Keyed with American Cylinder (Schlage® Keyway standard, Weiser® Keyway optional, Rekeyable) | 14A1 | | | |
| Non-Keyed Passage | 14A2 | | | |
| Non-Keyed American Style Thumbturn Inside | 14A3 | | | |
| Non-Keyed Fixed Handle Outside, Operating Handle Inside | 14A4 | | | |
| Dummy Pair | 14A5 | | | |
| Sets with 2" x 10" Plates | | | | |
| Keyed with American Cylinder (Schlage® Keyway standard, Weiser® Keyway optional, Rekeyable) | 14B1 | | | |
| Non-Keyed Passage | 14B2 | | | |
| Non-Keyed American Style Thumbturn Inside | 14B3 | | | |
| Non-Keyed Fixed Handle Outside, Operating Handle Inside | 14B4 | | | |
| Dummy Pair | 14B5 | | | |

***Unlacquered Brass (US3NL)**
finish available for a \$40 List Price upcharge per item.



Stainless Steel
1 1/2" x 11" Keyed
Stuttgart Levers



Stainless Steel
2" x 10" Non-Keyed
Hermes Levers

| STAINLESS STEEL PLATES, MODERN STYLE | Product Code | Lever Style (LH/RH) | Finish | List Price |
|---|--------------|--|----------------------|-----------------|
| Sets with 1 1/2" x 11" Plates | | <i>See Page 9 for Stainless Steel Lever Options.</i> | Stainless Steel (SS) | \$203.00 |
| Keyed with American Cylinder (Schlage® Keyway standard, Weiser® Keyway optional, Rekeyable) | 14A1 | | | |
| Non-Keyed Passage | 14A2 | | | |
| Non-Keyed American Style Thumbturn Inside | 14A3 | | | |
| Non-Keyed Fixed Handle Outside, Operating Handle Inside | 14A4 | | | |
| Dummy Pair | 14A5 | | | |
| Sets with 2" x 10" Plates | | | | |
| Keyed with American Cylinder (Schlage® Keyway standard, Weiser® Keyway optional, Rekeyable) | 14B1 | | | |
| Non-Keyed Passage | 14B2 | | | |
| Non-Keyed American Style Thumbturn Inside | 14B3 | | | |
| Non-Keyed Fixed Handle Outside, Operating Handle Inside | 14B4 | | | |
| Dummy Pair | 14B5 | | | |

Handing Required

- Key codes may be specified. Fits standard door thickness of 1 3/4". Specify if thicker.
- Set includes plates, handles and cylinders (where applicable). Multi Point lock mechanism is not included.

Weiser® (WR5) Keyway

- Specify by adding "W" to the beginning of Product Code.
- No upcharge for cylinder substitution. Can be keyed into existing Weiser® system.

DOOR CONFIGURATION

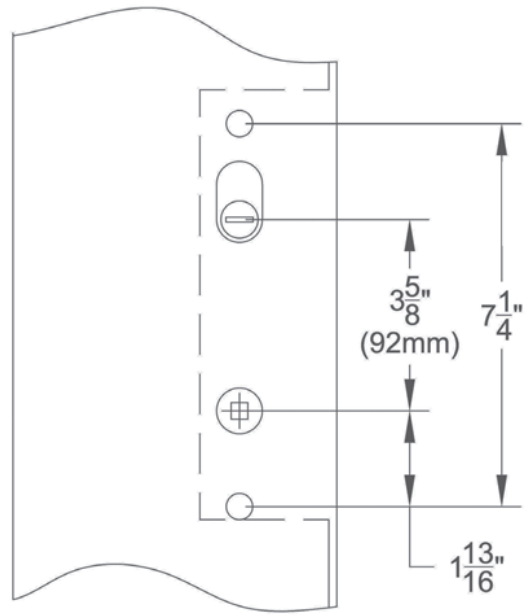
#4

American Cylinder Hub Above Handle 3 5/8" Center-to-Center

ref. Ashland®, G-U®, Caradco®, JELD-WEN®
Jeldwen® Custom Collection (formerly Pozzi®)
Marvin®, PGT®, Premium Collection (formerly Norco®)
Weathershield®

Each Multi Point Lock Trim now includes the Spring Assist function which returns the lever to the neutral position and eliminates sagging handles.

See Configuration #1 for Marvin Integrity® Doors



Sandcast Arched
1 1/2" x 11" Keyed
Montrose Levers



Sandcast Arched
2" x 10" Non-Keyed
Cody Levers

| SANDCAST BRONZE PLATES, ARCHED STYLE | Product Code | Lever Style (LH/RH) | Finish | List Price |
|---|--------------|--|--|-----------------|
| Sets with 1 1/2" x 11" Plates | | <i>See Page 9 for Sandcast Bronze Lever Options.</i> | Flat Black Bronze (FB) Medium Bronze (MB) Tumbled White Bronze (TWB) | \$226.00 |
| Keyed with American Cylinder (Schlage® Keyway standard, Weiser® Keyway optional, Rekeyable) | 1411 | | | |
| Non-Keyed Passage | 1412 | | | |
| Non-Keyed American Style Thumbturn Inside | 1413 | | | |
| Non-Keyed Fixed Handle Outside, Operating Handle Inside | 1414 | | | |
| Dummy Pair | 1415 | | | |
| Sets with 2" x 10" Plates | | | | |
| Keyed with American Cylinder (Schlage® Keyway standard, Weiser® Keyway optional, Rekeyable) | 1421 | | | |
| Non-Keyed Passage | 1422 | | | |
| Non-Keyed American Style Thumbturn Inside | 1423 | | | |
| Non-Keyed Fixed Handle Outside, Operating Handle Inside | 1424 | | | |
| Dummy Pair | 1425 | | | |

Handing Required

- Key codes may be specified. Fits standard door thickness of 1 3/4". Specify if thicker.
- Set includes plates, handles and cylinders (where applicable). Multi Point lock mechanism is not included.

Weiser® (WR5) Keyway

- Specify by adding "W" to the beginning of Product Code.
- No upcharge for cylinder substitution. Can be keyed into existing Weiser® system.



Sandcast Rectangular
1½" x 11" Keyed
Lariat Levers



Sandcast Rectangular
2" x 10" Keyed
Teton Levers

| SANDCAST BRONZE PLATES, RECTANGULAR STYLE | Product Code | Lever Style (LH/RH) | Finish | List Price |
|--|--------------|--|--|-----------------|
| Sets with 1½" x 11" Plates | | <i>See Page 9 for Sandcast Bronze Lever Options.</i> | Flat Black Bronze (FB) Medium Bronze (MB) Tumbled White Bronze (TWB) | \$226.00 |
| Keyed with American Cylinder (Schlage® Keyway standard, Weiser® Keyway optional, Rekeyable) | 1451 | | | |
| Non-Keyed Passage | 1452 | | | |
| Non-Keyed American Style Thumbturn Inside | 1453 | | | |
| Non-Keyed Fixed Handle Outside, Operating Handle Inside | 1454 | | | |
| Dummy Pair | 1455 | | | |
| Sets with 2" x 10" Plates | | | | |
| Keyed with American Cylinder (Schlage® Keyway standard, Weiser® Keyway optional, Rekeyable) | 1461 | | | |
| Non-Keyed Passage | 1462 | | | |
| Non-Keyed American Style Thumbturn Inside | 1463 | | | |
| Non-Keyed Fixed Handle Outside, Operating Handle Inside | 1464 | | | |
| Dummy Pair | 1465 | | | |



Bronze Tuscany
1½" x 11" Non-Keyed
Napoli Levers



Bronze Tuscany
2" x 10" Keyed
Napoli Levers

| LOST WAX CAST BRONZE PLATES, TUSCANY STYLE | Product Code | Lever Style (LH/RH) | Finish | List Price |
|--|--------------|---|--|-----------------|
| Sets with 1½" x 11" Plates | | <i>See Page 9 for Lost Wax Cast Bronze Lever Options.</i> | Flat Black Bronze (FB) Medium Bronze (MB) | \$226.00 |
| Keyed with American Cylinder (Schlage® Keyway standard, Weiser® Keyway optional, Rekeyable) | 1431 | | | |
| Non-Keyed Passage | 1432 | | | |
| Non-Keyed American Style Thumbturn Inside | 1433 | | | |
| Non-Keyed Fixed Handle Outside, Operating Handle Inside | 1434 | | | |
| Dummy Pair | 1435 | | | |
| Sets with 2" x 10" Plates | | | | |
| Keyed with American Cylinder (Schlage® Keyway standard, Weiser® Keyway optional, Rekeyable) | 1441 | | | |
| Non-Keyed Passage | 1442 | | | |
| Non-Keyed American Style Thumbturn Inside | 1443 | | | |
| Non-Keyed Fixed Handle Outside, Operating Handle Inside | 1444 | | | |
| Dummy Pair | 1445 | | | |

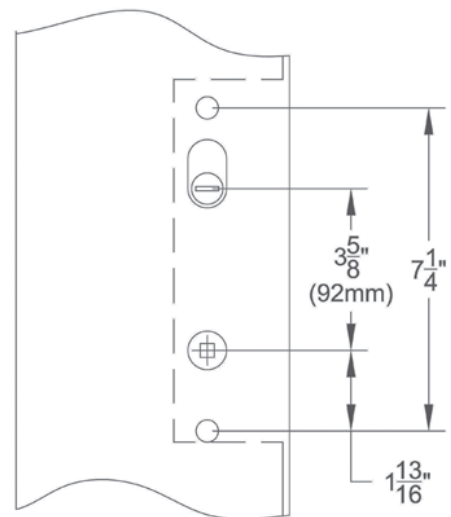
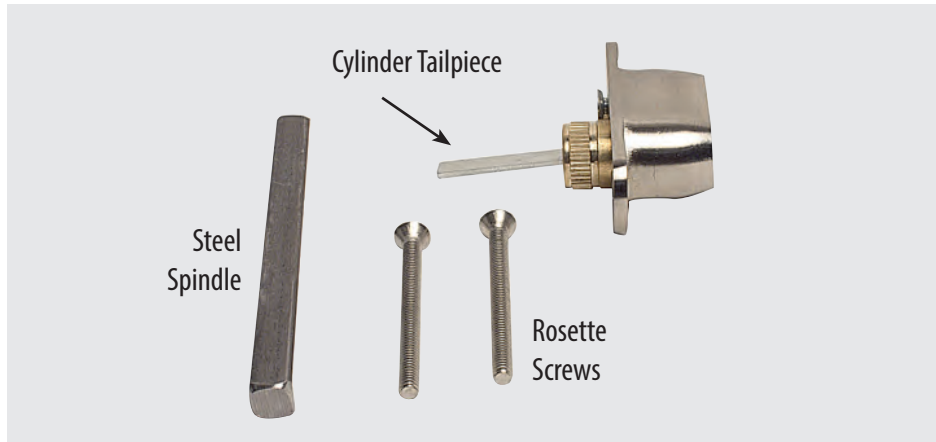
Handing Required

- Key codes may be specified. Fits standard door thickness of 1¾". Specify if thicker.
- Set includes plates, handles and cylinders (where applicable). Multi Point lock mechanism is not included.

Weiser® (WR5) Keyway

- Specify by adding "W" to the beginning of Product Code.
- No upcharge for cylinder substitution. Can be keyed into existing Weiser® system.

Door Configuration #4 American Cylinder Above Handle 3 5/8" Center-to-Center



Keyed Plates with American Cylinder Includes non-keyed thumbturn inside

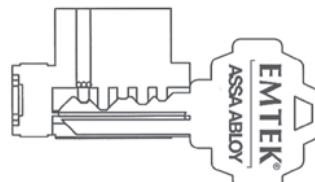
| Standard Door Thickness: from 1 5/8" to 2" | Extended Door Thickness: Over 2" to 2 3/4" |
|---|--|
| <p>Standard Components:</p> <ul style="list-style-type: none"> • Single Cylinder Tailpiece • 3 3/4" Steel Spindle • 2" Rosette Screws for 1 5/8" - 1 3/4" thick door • 2 1/2" Rosette Screws for 1 3/4" - 2" thick door | <p>Extended Components:</p> <ul style="list-style-type: none"> • Long Single Cylinder Tailpiece • 4 1/2" Steel Spindle • 2 1/2" Rosette Screws 2" - 2 1/4" thick door • 3" Rosette Screws for 2 1/4" - 2 3/4" thick door |

Non-Keyed Plates Includes non-keyed passage, fixed handle out/operating handle in, and dummy (uses screws only)

| Standard Door Thickness: from 1 5/8" to 2" | Extended Door Thickness: Over 2" to 2 3/4" |
|---|--|
| <p>Standard Components:</p> <ul style="list-style-type: none"> • Thumbturn Tailpiece • 3 3/4" Steel Spindle (half-spindle for fixed handle out/operating handle in) • 2" Rosette Screws for 1 5/8" - 1 3/4" thick door • 2 1/2" Rosette Screws for 1 3/4" - 2" thick door | <p>Extended Components:</p> <ul style="list-style-type: none"> • Long Thumbturn Tailpiece • 4 1/2" Steel Spindle (half-spindle for fixed handle out/operating handle in) • 2 1/2" Rosette Screws 2" - 2 1/4" thick door • 3" Rosette Screws for 2 1/4" - 2 3/4" thick door |

CONSTRUCTION KEYING

- Lost ball system.
- Last four pin locations drilled for lost ball application.
- Master key pins used for code variability.
- Construction keys and owner keys sent separately.
- Order by indicating "Construction Keyed, House #_" next to applicable locks.



- Construction devices used on one or more of last four positions.



- Dimples drilled in plug in this position.

| |
|---|
| <p>Charge for Construction Keying - \$3.00 (NET)</p> <ul style="list-style-type: none"> • Locks that are both construction keyed and keyed alike in a house group will be charged a total of \$5.00 (NET) per cylinder. |
|---|

| |
|--|
| <p>Charge for Re-Keying - \$2.00 (NET) per Cylinder</p> <ul style="list-style-type: none"> • Locks that are keyed to code or keyed alike in a house group will be charged \$2.00 (NET) per cylinder. |
|--|

| |
|---|
| <p>Keying to Code</p> <ul style="list-style-type: none"> • Order by indicating "Key Code XXXXX" next to applicable locks. |
|---|

| |
|--|
| <p>Keying Alike</p> <ul style="list-style-type: none"> • Order by indicating "Keyed Alike" next to applicable locks if only one keyed alike group is wanted. • If ordering multiple groups (houses) indicate "Keyed Alike House #_" next to applicable locks. |
|--|

Set includes plates, handles and cylinders (where applicable). Multi Point lock mechanism is not included.
 Ashland®, G-U®, Caradco®, JELD-WEN®, Jeldwen® Custom Collection (formerly Pozzi®), Marvin®, PGT®, Premium Collection (formerly Norco®), Weathershield®

| Keyed with American Cylinder (for Active Door, Schlage® Keyway Standard, Weiser® Keyway Optional, Rekeyable) | |
|---|---|
| <p>1 1/2" x 11" Plates, Product Codes 1411, 1431, 1451, 1471, 14A1</p> | <p>2" x 10" Plates, Product Codes 1421, 1441, 1461, 1481, 14B1</p> |
| Non-Keyed, Passage (for Semi-Active Door) | |
| <p>1 1/2" x 11" Plates, Product Codes 1412, 1432, 1452, 1472, 14A2</p> | <p>2" x 10" Plates, Product Codes 1422, 1442, 1462, 1482, 14B2</p> |
| Non-Keyed, American Style Thumbturn Inside (for Active Door) | |
| <p>1 1/2" x 11" Plates, Product Codes 1413, 1433, 1453, 1473, 14A3</p> | <p>2" x 10" Plates, Product Codes 1423, 1443, 1463, 1483, 14B3</p> |
| Non-Keyed, Fixed Handle Outside, Operating Handle Inside (for Semi-Active Door) | |
| <p>1 1/2" x 11" Plates, Product Codes 1414, 1434, 1454, 1474, 14A4</p> <p>Fixed</p> | <p>2" x 10" Plates, Product Codes 1424, 1444, 1464, 1484, 14B4</p> <p>Fixed</p> |
| Dummy Pair (for Non-Active Door) | |
| <p>1 1/2" x 11" Plates, Product Codes 1415, 1435, 1455, 1475, 14A5</p> <p>Fixed</p> | <p>2" x 10" Plates, Product Codes 1425, 1445, 1465, 1485, 14B5</p> <p>Fixed</p> |

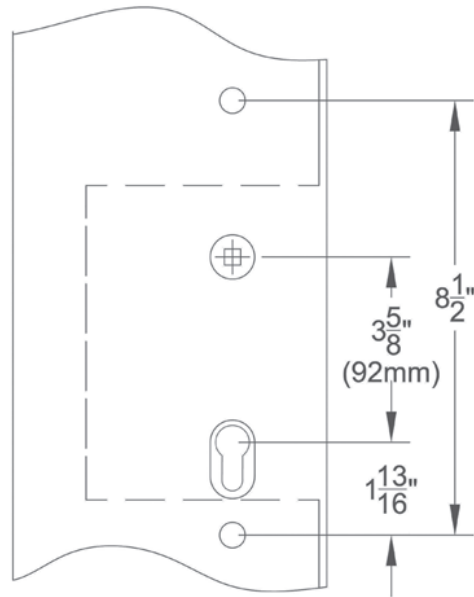
DOOR CONFIGURATION

#5

Euro Profile Cylinder Below Handle 3⁵/₈" Center-to-Center

ref. Crestline®, Hoppe®, Hurd®, KfV®, Kolbe & Kolbe®
Lincoln®, Loewen®, Paddock Lockmaster™, Peachtree®
Semco®, Sierra Pacific®, Signature®, Simpson®
Therma-Tru®, Vetter®, Willmar®, Windsor®
Weathershield®

Each Multi Point Lock Trim now includes the Spring Assist function which returns the lever to the neutral position and eliminates sagging handles.



Brass Concord
1 1/2" x 11" Keyed
Turino Levers



Brass Concord
2" x 10" Keyed
Rustic Levers

| BRASS PLATES, CONCORD STYLE | Product Code | Lever Style (LH/RH) | Finish | List Price |
|---|--------------|---|---|-----------------|
| Sets with 1 1/2" x 11" Plates | | <i>See Page 8 for Brass & Modern Brass Lever Options.</i> | Polished Brass - Lifetime (US3) French Antique (US7) Oil Rubbed Bronze (US10B) Satin Nickel (US15) Pewter (US15A) Flat Black (US19) Polished Chrome (US26) Unlacquered Brass (US3NL)* | \$203.00 |
| Keyed with Euro Profile Cylinder (Schlage® Keyway standard, Rekeyable) | 1571 | | | |
| Non-Keyed Passage | 1572 | | | |
| Non-Keyed Euro Profile Thumbturn Inside | 1573 | | | |
| Non-Keyed Fixed Handle Outside, Operating Handle Inside | 1574 | | | |
| Dummy Pair | 1575 | | | |
| Sets with 2" x 10" Plates | | | | |
| Keyed with Euro Profile Cylinder (Schlage® Keyway standard, Rekeyable) | 1581 | | | |
| Non-Keyed Passage | 1582 | | | |
| Non-Keyed Euro Profile Thumbturn Inside | 1583 | | | |
| Non-Keyed Fixed Handle Outside, Operating Handle Inside | 1584 | | | |
| Dummy Pair | 1585 | | | |

***Unlacquered Brass (US3NL)**
finish available for a \$40 List Price
upcharge per item.

Handing Required

- Key codes may be specified. Fits standard door thickness of 1 3/4". Specify if thicker.
- Set includes plates, handles and cylinders (where applicable). Multi Point lock mechanism is not included.

Weiser® keyway not available for Configuration 5, Euro cylinder.



| BRASS PLATES, MODERN STYLE | Product Code | Lever Style (LH/RH) | Finish | List Price |
|--|--------------|---|--|-----------------|
| Sets with 1 1/2" x 11" Plates | | <i>See Page 8 for Brass & Modern Brass Lever Options.</i> | Satin Brass (US4) Oil Rubbed Bronze (US10B) Polished Nickel - Lifetime (US14) Satin Nickel (US15) Flat Black (US19) Polished Chrome (US26) Unlacquered Brass (US3NL)* | \$203.00 |
| Keyed with Euro Profile Cylinder (Schlage® Keyway standard, Rekeyable) | 15A1 | | | |
| Non-Keyed Passage | 15A2 | | | |
| Non-Keyed Euro Profile Thumbturn Inside | 15A3 | | | |
| Non-Keyed Fixed Handle Outside, Operating Handle Inside | 15A4 | | | |
| Dummy Pair | 15A5 | | | |
| Sets with 2" x 10" Plates | | | | |
| Keyed with Euro Profile Cylinder (Schlage® Keyway standard, Rekeyable) | 15B1 | | | |
| Non-Keyed Passage | 15B2 | | | |
| Non-Keyed Euro Profile Thumbturn Inside | 15B3 | | | |
| Non-Keyed Fixed Handle Outside, Operating Handle Inside | 15B4 | | | |
| Dummy Pair | 15B5 | | | |

***Unlacquered Brass (US3NL)**
finish available for a \$40 List Price upcharge per item.



| STAINLESS STEEL PLATES, MODERN STYLE | Product Code | Lever Style (LH/RH) | Finish | List Price |
|--|--------------|--|----------------------|-----------------|
| Sets with 1 1/2" x 11" Plates | | <i>See Page 9 for Stainless Steel Lever Options.</i> | Stainless Steel (SS) | \$203.00 |
| Keyed with Euro Profile Cylinder (Schlage® Keyway standard, Rekeyable) | 15A1 | | | |
| Non-Keyed Passage | 15A2 | | | |
| Non-Keyed Euro Profile Thumbturn Inside | 15A3 | | | |
| Non-Keyed Fixed Handle Outside, Operating Handle Inside | 15A4 | | | |
| Dummy Pair | 15A5 | | | |
| Sets with 2" x 10" Plates | | | | |
| Keyed with Euro Profile Cylinder (Schlage® Keyway standard, Rekeyable) | 15B1 | | | |
| Non-Keyed Passage | 15B2 | | | |
| Non-Keyed Euro Profile Thumbturn Inside | 15B3 | | | |
| Non-Keyed Fixed Handle Outside, Operating Handle Inside | 15B4 | | | |
| Dummy Pair | 15B5 | | | |

Handing Required

- Key codes may be specified. Fits standard door thickness of 1 3/4". Specify if thicker.
- Set includes plates, handles and cylinders (where applicable). Multi Point lock mechanism is not included.

Weiser® keyway not available for Configuration 5, Euro cylinder.

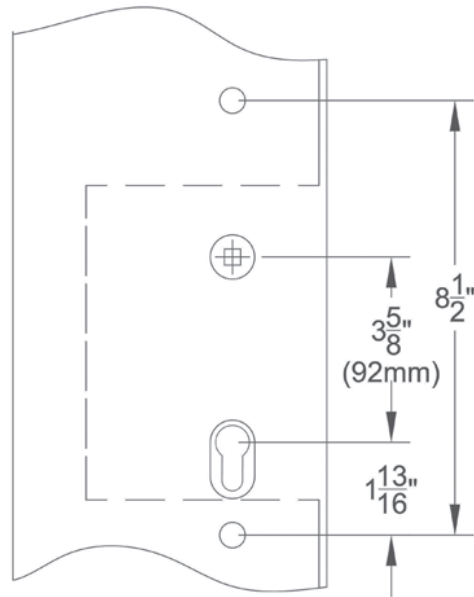
DOOR CONFIGURATION

#5

Euro Profile Cylinder Below Handle 3⁵/₈" Center-to-Center

ref. Crestline®, Hoppe®, Hurd®, KfV®, Kolbe & Kolbe®
Lincoln®, Loewen®, Paddock Lockmaster™, Peachtree®
Semco®, Sierra Pacific®, Signature®, Simpson®
Therma-Tru®, Vetter®, Willmar®, Windsor®
Weathershield®

Each Multi Point Lock Trim now includes the Spring Assist function which returns the lever to the neutral position and eliminates sagging handles.



| SANDCAST BRONZE PLATES, ARCHED STYLE | Product Code | Lever Style (LH/RH) | Finish | List Price |
|--|--------------|--|--|-----------------|
| Sets with 1 1/2" x 11" Plates | | <i>See Page 9 for Sandcast Bronze Lever Options.</i> | Flat Black Bronze (FB) Medium Bronze (MB) Tumbled White Bronze (TWB) | \$226.00 |
| Keyed with Euro Profile Cylinder (Schlage® Keyway standard, Rekeyable) | 1511 | | | |
| Non-Keyed Passage | 1512 | | | |
| Non-Keyed Euro Profile Thumbturn Inside | 1513 | | | |
| Non-Keyed Fixed Handle Outside, Operating Handle Inside | 1514 | | | |
| Dummy Pair | 1515 | | | |
| Sets with 2" x 10" Plates | | | | |
| Keyed with Euro Profile Cylinder (Schlage® Keyway standard, Rekeyable) | 1521 | | | |
| Non-Keyed Passage | 1522 | | | |
| Non-Keyed Euro Profile Thumbturn Inside | 1523 | | | |
| Non-Keyed Fixed Handle Outside, Operating Handle Inside | 1524 | | | |
| Dummy Pair | 1525 | | | |

Handing Required

- Key codes may be specified. Fits standard door thickness of 1 3/4". Specify if thicker.
- Set includes plates, handles and cylinders (where applicable). Multi Point lock mechanism is not included.

Weiser® keyway not available for Configuration 5, Euro cylinder.



| SANDCAST BRONZE PLATES, RECTANGULAR STYLE | Product Code | Lever Style (LH/RH) | Finish | List Price |
|--|--------------|--|--|-----------------|
| Sets with 1 1/2" x 11" Plates | | <i>See Page 9 for Sandcast Bronze Lever Options.</i> | Flat Black Bronze (FB) Medium Bronze (MB) Tumbled White Bronze (TWB) | \$226.00 |
| Keyed with Euro Profile Cylinder (Schlage® Keyway standard, Rekeyable) | 1551 | | | |
| Non-Keyed Passage | 1552 | | | |
| Non-Keyed Euro Profile Thumbturn Inside | 1553 | | | |
| Non-Keyed Fixed Handle Outside, Operating Handle Inside | 1554 | | | |
| Dummy Pair | 1555 | | | |
| Sets with 2" x 10" Plates | | | | |
| Keyed with Euro Profile Cylinder (Schlage® Keyway standard, Rekeyable) | 1561 | | | |
| Non-Keyed Passage | 1562 | | | |
| Non-Keyed Euro Profile Thumbturn Inside | 1563 | | | |
| Non-Keyed Fixed Handle Outside, Operating Handle Inside | 1564 | | | |
| Dummy Pair | 1565 | | | |



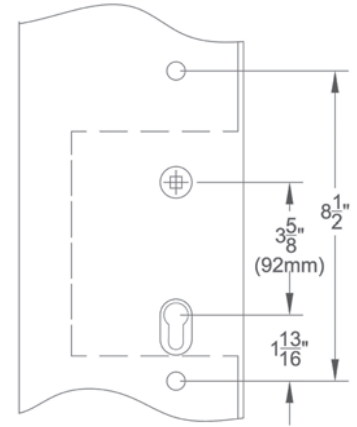
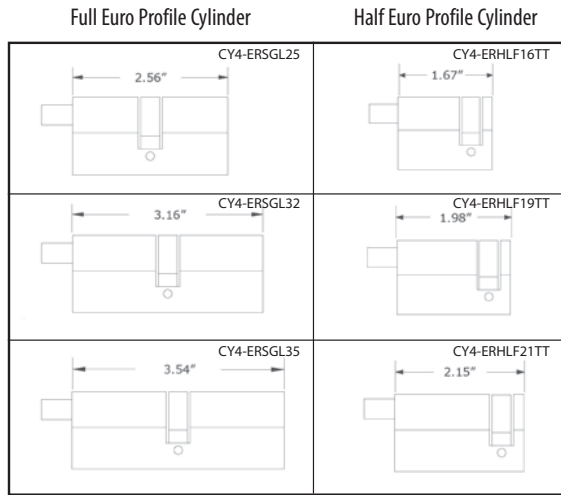
| LOST WAX CAST BRONZE PLATES, TUSCANY STYLE | Product Code | Lever Style (LH/RH) | Finish | List Price |
|--|--------------|---|--|-----------------|
| Sets with 1 1/2" x 11" Plates | | <i>See Page 9 for Lost Wax Cast Bronze Lever Options.</i> | Flat Black Bronze (FB) Medium Bronze (MB) | \$226.00 |
| Keyed with Euro Profile Cylinder (Schlage® Keyway standard, Rekeyable) | 1531 | | | |
| Non-Keyed Passage | 1532 | | | |
| Non-Keyed Euro Profile Thumbturn Inside | 1533 | | | |
| Non-Keyed Fixed Handle Outside, Operating Handle Inside | 1534 | | | |
| Dummy Pair | 1535 | | | |
| Sets with 2" x 10" Plates | | | | |
| Keyed with Euro Profile Cylinder (Schlage® Keyway standard, Rekeyable) | 1541 | | | |
| Non-Keyed Passage | 1542 | | | |
| Non-Keyed Euro Profile Thumbturn Inside | 1543 | | | |
| Non-Keyed Fixed Handle Outside, Operating Handle Inside | 1544 | | | |
| Dummy Pair | 1545 | | | |

Handing Required

- Key codes may be specified. Fits standard door thickness of 1 3/4". Specify if thicker.
- Set includes plates, handles and cylinders (where applicable). Multi Point lock mechanism is not included.

Weiser® keyway not available for Configuration 5, Euro cylinder.

Door Configuration #5 Euro Profile Cylinder Below Handle 3 5/8" Center-to-Center



Keyed Plates with Euro Profile Cylinder

| Standard Door Thickness: from 1 5/8" to 2" | Extended Door Thickness: Over 2" to 2 1/2" | Extended Door Thickness: Over 2 1/2" to 2 3/4" |
|---|---|---|
| Standard Components: <ul style="list-style-type: none"> • 2 3/4" Euro Profile Cylinder • 3 3/4" Steel Spindle • 1 1/2" Rosette Screws | Extended Components: <ul style="list-style-type: none"> • 3 3/4" Euro Profile Cylinder • 4 1/2" Steel Spindle • 2" Rosette Screws | Extended Components: <ul style="list-style-type: none"> • 3 1/2" Euro Profile Cylinder • 5" Steel Spindle • 3" Rosette Screws |

Non-Keyed Plates with Euro Profile Half Cylinder

| Standard Door Thickness: from 1 5/8" to 2" | Extended Door Thickness: Over 2" to 2 1/2" | Extended Door Thickness: Over 2 1/2" to 2 3/4" |
|--|--|--|
| Standard Components: <ul style="list-style-type: none"> • 1 2 1/2" Euro Profile Half-Cylinder • 3 3/4" Steel Spindle • 1 1/2" Rosette Screws | Extended Components: <ul style="list-style-type: none"> • 1 3/2" Euro Profile Half-Cylinder • 4 1/2" Steel Spindle • 2" Rosette Screws | Extended Components: <ul style="list-style-type: none"> • 2 3/2" Euro Profile Half-Cylinder • 5" Steel Spindle • 3" Rosette Screws |

Non-Keyed Plates Includes non-keyed passage, fixed handle out/operating handle in, and dummy (uses screws only)

| Standard Door Thickness: from 1 5/8" to 2" | Extended Door Thickness: Over 2" to 2 3/4" |
|--|---|
| Standard Components: <ul style="list-style-type: none"> • 3 3/4" Steel Spindle (half-spindle for fixed handle out/operating handle in) • 2" Rosette Screws • 1 1/2" Rosette Screws for 1 5/8" thick door | Extended Components: <ul style="list-style-type: none"> • 4 1/2" Steel Spindle (half-spindle for fixed handle out/operating handle in) • 2 1/2" Rosette Screws • 2" Rosette Screws for 2" - 2 1/8" thick door |

CUSTOM KEYING

| |
|---|
| Charge for Re-Keying - \$2.00 (NET) per Cylinder <ul style="list-style-type: none"> • Locks that are keyed to code or keyed alike in a house group will be charged \$2.00 (NET) per cylinder. |
| Keying to Code <ul style="list-style-type: none"> • Order by indicating "Key Code XXXXX" next to applicable locks. |
| Keying Alike <ul style="list-style-type: none"> • Order by indicating "Keyed Alike" next to applicable locks if only one keyed alike group is wanted. • If ordering multiple groups (houses) indicate "Keyed Alike House #_" next to applicable locks. |

Set includes plates, handles and cylinders (where applicable). Multi Point lock mechanism is not included.
 Crestline®, Hoppe®, Hurd®, KFV®, Kolbe & Kolbe®, Lincoln®, Loewen®, Paddock Lockmaster™, Peachtree®,
 Semco®, Sierra Pacific®, Signature®, Simpson®, Therma-Tru®, Vetter®, Willmar®, Windsor®, Weathershield®

| Keyed with Euro Profile Cylinder (for Active Door, Schlage® Keyway Standard, Rekeyable) | |
|--|--|
| <p>1 ½" x 11" Plates, Product Codes 1511, 1531, 1551, 1571, 15A1</p> | <p>2" x 10" Plates, Product Codes 1521, 1541, 1561, 1581, 15B1</p> |
| Non-Keyed, Passage (for Semi-Active Door) | |
| <p>1 ½" x 11" Plates, Product Codes 1512, 1532, 1552, 1572, 15A2</p> | <p>2" x 10" Plates, Product Codes 1522, 1542, 1562, 1582, 15B2</p> |
| Non-Keyed, Euro Profile Style Thumbturn Inside (for Active Door) | |
| <p>1 ½" x 11" Plates, Product Codes 1513, 1533, 1553, 1573, 15A3</p> | <p>2" x 10" Plates, Product Codes 1523, 1543, 1563, 1583, 15B3</p> |
| Non-Keyed, Fixed Handle Outside, Operating Handle Inside (for Semi-Active Door) | |
| <p>1 ½" x 11" Plates, Product Codes 1514, 1534, 1554, 1574, 15A4</p> <p>Fixed</p> | <p>2" x 10" Plates, Product Codes 1524, 1544, 1564, 1584, 15B4</p> <p>Fixed</p> |
| Dummy Pair (for Non-Active Door) | |
| <p>1 ½" x 11" Plates, Product Codes 1515, 1535, 1555, 1575, 15A5</p> <p>Fixed</p> | <p>2" x 10" Plates, Product Codes 1525, 1545, 1565, 1585, 15B5</p> <p>Fixed</p> |

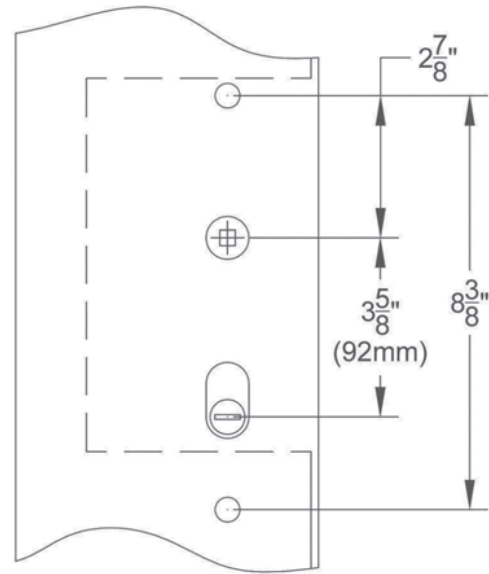
DOOR CONFIGURATION

#6

American Cylinder Hub Below Handle
3⁵/₈" Center-to-Center

ref. Milgard®, Pella®

Each Multi Point Lock Trim now includes the Spring Assist function which returns the lever to the neutral position and eliminates sagging handles.



| BRASS PLATES, CONCORD STYLE | Product Code | Lever Style (LH/RH) | Finish | List Price |
|---|--------------|---|---|-----------------|
| Sets with 1¹/₂" x 11" Plates | | <i>See Page 8 for Brass & Modern Brass Lever Options.</i> | Polished Brass - Lifetime (US3) French Antique (US7) Oil Rubbed Bronze (US10B) Satin Nickel (US15) Pewter (US15A) Flat Black (US19) Polished Chrome (US26) Unlacquered Brass (US3NL)* | \$203.00 |
| Keyed with American Cylinder (Schlage® Keyway standard, Weiser® Keyway optional, Rekeyable) | 1671 | | | |
| Non-Keyed Passage | 1672 | | | |
| Non-Keyed American Style Thumbturn Inside | 1673 | | | |
| Non-Keyed Fixed Handle Outside, Operating Handle Inside | 1674 | | | |
| Dummy Pair | 1675 | | | |
| Sets with 2" x 10" Plates | | | | |
| Keyed with American Cylinder (Schlage® Keyway standard, Weiser® Keyway optional, Rekeyable) | 1681 | | | |
| Non-Keyed Passage | 1682 | | | |
| Non-Keyed American Style Thumbturn Inside | 1683 | | | |
| Non-Keyed Fixed Handle Outside, Operating Handle Inside | 1684 | | | |
| Dummy Pair | 1685 | | | |

***Unlacquered Brass (US3NL)**
 finish available for a \$40 List Price upcharge per item.

Handing Required

- Key codes may be specified. Fits standard door thickness of 1³/₄". Specify if thicker.
- Set includes plates, handles and cylinders (where applicable). Multi Point lock mechanism is not included.

Weiser®(WR5) Keyway

- Specify by adding "W" to the beginning of Product Code.
- No upcharge for cylinder substitution. Can be keyed into existing Weiser® system.



| BRASS PLATES, MODERN STYLE | Product Code | Lever Style (LH/RH) | Finish | List Price |
|---|--------------|---|--|-----------------|
| Sets with 1 1/2" x 11" Plates | | <i>See Page 8 for Brass & Modern Brass Lever Options.</i> | Satin Brass (US4) Oil Rubbed Bronze (US10B) Polished Nickel - Lifetime (US14) Satin Nickel (US15) Flat Black (US19) Polished Chrome (US26) Unlacquered Brass (US3NL)* | \$203.00 |
| Keyed with American Cylinder (Schlage® Keyway standard, Weiser® Keyway optional, Rekeyable) | 16A1 | | | |
| Non-Keyed Passage | 16A2 | | | |
| Non-Keyed American Style Thumbturn Inside | 16A3 | | | |
| Non-Keyed Fixed Handle Outside, Operating Handle Inside | 16A4 | | | |
| Dummy Pair | 16A5 | | | |
| Sets with 2" x 10" Plates | | | | |
| Keyed with American Cylinder (Schlage® Keyway standard, Weiser® Keyway optional, Rekeyable) | 16B1 | | | |
| Non-Keyed Passage | 16B2 | | | |
| Non-Keyed American Style Thumbturn Inside | 16B3 | | | |
| Non-Keyed Fixed Handle Outside, Operating Handle Inside | 16B4 | | | |
| Dummy Pair | 16B5 | | | |

***Unlacquered Brass (US3NL)**
finish available for a \$40 List Price upcharge per item.



| STAINLESS STEEL PLATES, MODERN STYLE | Product Code | Lever Style (LH/RH) | Finish | List Price |
|---|--------------|--|----------------------|-----------------|
| Sets with 1 1/2" x 11" Plates | | <i>See Page 9 for Stainless Steel Lever Options.</i> | Stainless Steel (SS) | \$203.00 |
| Keyed with American Cylinder (Schlage® Keyway standard, Weiser® Keyway optional, Rekeyable) | 16A1 | | | |
| Non-Keyed Passage | 16A2 | | | |
| Non-Keyed American Style Thumbturn Inside | 16A3 | | | |
| Non-Keyed Fixed Handle Outside, Operating Handle Inside | 16A4 | | | |
| Dummy Pair | 16A5 | | | |
| Sets with 2" x 10" Plates | | | | |
| Keyed with American Cylinder (Schlage® Keyway standard, Weiser® Keyway optional, Rekeyable) | 16B1 | | | |
| Non-Keyed Passage | 16B2 | | | |
| Non-Keyed American Style Thumbturn Inside | 16B3 | | | |
| Non-Keyed Fixed Handle Outside, Operating Handle Inside | 16B4 | | | |
| Dummy Pair | 16B5 | | | |

Handing Required

- Key codes may be specified. Fits standard door thickness of 1 3/4". Specify if thicker.
- Set includes plates, handles and cylinders (where applicable). Multi Point lock mechanism is not included.

Weiser® (WR5) Keyway

- Specify by adding "W" to the beginning of Product Code.
- No upcharge for cylinder substitution. Can be keyed into existing Weiser® system.

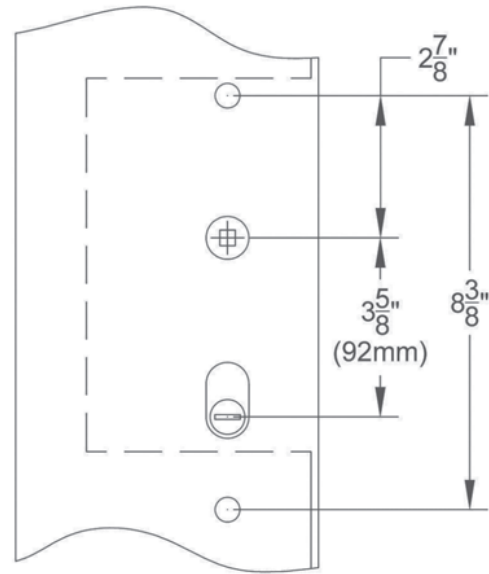
DOOR CONFIGURATION

#6

American Cylinder Hub Below Handle
3⁵/₈" Center-to-Center

ref. Milgard®, Pella®

Each Multi Point Lock Trim now includes the Spring Assist function which returns the lever to the neutral position and eliminates sagging handles.



Sandcast Arched
 1½" x 11" Non-Keyed
 Teton Levers



Sandcast Arched
 2" x 10" Keyed
 Durango Levers

| SANDCAST BRONZE PLATES, ARCHED STYLE | Product Code | Lever Style (LH/RH) | Finish | List Price |
|---|--------------|--|--|-----------------|
| Sets with 1½" x 11" Plates | | <i>See Page 9 for Sandcast Bronze Lever Options.</i> | Flat Black Bronze (FB) Medium Bronze (MB) Tumbled White Bronze (TWB) | \$226.00 |
| Keyed with American Cylinder (Schlage® Keyway standard, Weiser® Keyway optional, Rekeyable) | 1611 | | | |
| Non-Keyed Passage | 1612 | | | |
| Non-Keyed American Style Thumbturn Inside | 1613 | | | |
| Non-Keyed Fixed Handle Outside, Operating Handle Inside | 1614 | | | |
| Dummy Pair | 1615 | | | |
| Sets with 2" x 10" Plates | | | | |
| Keyed with American Cylinder (Schlage® Keyway standard, Weiser® Keyway optional, Rekeyable) | 1621 | | | |
| Non-Keyed Passage | 1622 | | | |
| Non-Keyed American Style Thumbturn Inside | 1623 | | | |
| Non-Keyed Fixed Handle Outside, Operating Handle Inside | 1624 | | | |
| Dummy Pair | 1625 | | | |

Handing Required

- Key codes may be specified. Fits standard door thickness of 1¾". Specify if thicker.
- Set includes plates, handles and cylinders (where applicable). Multi Point lock mechanism is not included.

Weiser® (WR5) Keyway

- Specify by adding "W" to the beginning of Product Code.
- No upcharge for cylinder substitution. Can be keyed into existing Weiser® system.



| SANDCAST BRONZE PLATES, RECTANGULAR STYLE | Product Code | Lever Style (LH/RH) | Finish | List Price |
|--|--------------|--|--|-----------------|
| Sets with 1 1/2" x 11" Plates | | <i>See Page 9 for Sandcast Bronze Lever Options.</i> | Flat Black Bronze (FB) Medium Bronze (MB) Tumbled White Bronze (TWB) | \$226.00 |
| Keyed with American Cylinder (Schlage® Keyway standard, Weiser® Keyway optional, Rekeyable) | 1651 | | | |
| Non-Keyed Passage | 1652 | | | |
| Non-Keyed American Style Thumbturn Inside | 1653 | | | |
| Non-Keyed Fixed Handle Outside, Operating Handle Inside | 1654 | | | |
| Dummy Pair | 1655 | | | |
| Sets with 2" x 10" Plates | | | | |
| Keyed with American Cylinder (Schlage® Keyway standard, Weiser® Keyway optional, Rekeyable) | 1661 | | | |
| Non-Keyed Passage | 1662 | | | |
| Non-Keyed American Style Thumbturn Inside | 1663 | | | |
| Non-Keyed Fixed Handle Outside, Operating Handle Inside | 1664 | | | |
| Dummy Pair | 1665 | | | |



| LOST WAX CAST BRONZE PLATES, TUSCANY STYLE | Product Code | Lever Style (LH/RH) | Finish | List Price |
|--|--------------|---|--|-----------------|
| Sets with 1 1/2" x 11" Plates | | <i>See Page 9 for Lost Wax Cast Bronze Lever Options.</i> | Flat Black Bronze (FB) Medium Bronze (MB) | \$226.00 |
| Keyed with American Cylinder (Schlage® Keyway standard, Weiser® Keyway optional, Rekeyable) | 1631 | | | |
| Non-Keyed Passage | 1632 | | | |
| Non-Keyed American Style Thumbturn Inside | 1633 | | | |
| Non-Keyed Fixed Handle Outside, Operating Handle Inside | 1634 | | | |
| Dummy Pair | 1635 | | | |
| Sets with 2" x 10" Plates | | | | |
| Keyed with American Cylinder (Schlage® Keyway standard, Weiser® Keyway optional, Rekeyable) | 1641 | | | |
| Non-Keyed Passage | 1642 | | | |
| Non-Keyed American Style Thumbturn Inside | 1643 | | | |
| Non-Keyed Fixed Handle Outside, Operating Handle Inside | 1644 | | | |
| Dummy Pair | 1645 | | | |

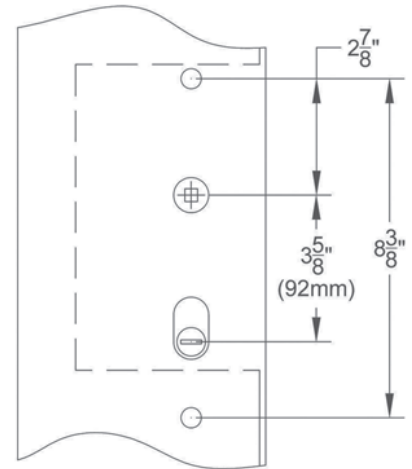
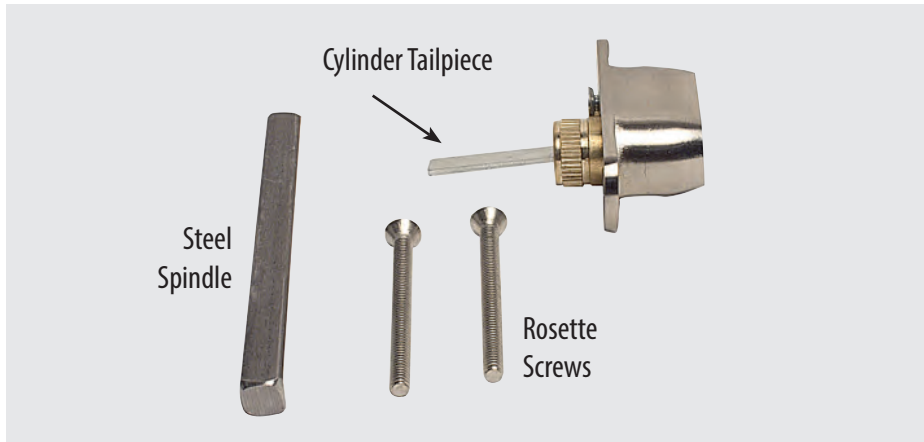
Handing Required

- Key codes may be specified. Fits standard door thickness of 1 3/4". Specify if thicker.
- Set includes plates, handles and cylinders (where applicable). Multi Point lock mechanism is not included.

Weiser® (WR5) Keyway

- Specify by adding "W" to the beginning of Product Code.
- No upcharge for cylinder substitution. Can be keyed into existing Weiser® system.

Door Configuration #6 American Cylinder Below Handle 3 5/8" Center-to-Center



Keyed Plates with American Cylinder Includes non-keyed thumbturn inside

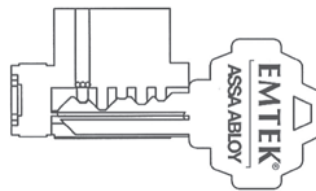
| Standard Door Thickness: from 1 5/8" to 2" | Extended Door Thickness: Over 2" to 2 3/4" |
|---|---|
| <p>Standard Components:</p> <ul style="list-style-type: none"> • Single Cylinder Tailpiece • 3 3/4" Steel Spindle • 2" Rosette Screws • 1 1/2" Rosette Screws for 1 5/8" thick door | <p>Extended Components:</p> <ul style="list-style-type: none"> • Long Single Cylinder Tailpiece • 4 1/2" Steel Spindle • 2 1/2" Rosette Screws • 2" Rosette Screws for 2" - 2 1/8" thick door |

Non-Keyed Plates Includes non-keyed passage, fixed handle out/operating handle in, and dummy (uses screws only)

| Standard Door Thickness: from 1 5/8" to 2" | Extended Door Thickness: Over 2" to 2 3/4" |
|---|---|
| <p>Standard Components:</p> <ul style="list-style-type: none"> • Thumbturn Tailpiece • 3 3/4" Steel Spindle (half-spindle for fixed handle out/operating handle in) • 2" Rosette Screws • 1 1/2" Rosette Screws for 1 5/8" thick door | <p>Extended Components:</p> <ul style="list-style-type: none"> • Long Thumbturn Tailpiece • 4 1/2" Steel Spindle (half-spindle for fixed handle out/operating handle in) • 2 1/2" Rosette Screws • 2" Rosette Screws for 2" - 2 1/8" thick door |

CONSTRUCTION KEYING

- Lost ball system.
- Last four pin locations drilled for lost ball application.
- Master key pins used for code variability.
- Construction keys and owner keys sent separately.
- Order by indicating "**Construction Keyed, House #_**" next to applicable locks.



- Construction devices used on one or more of last four positions.



- Dimples drilled in plug in this position.

| |
|---|
| <p>Charge for Construction Keying - \$3.00 (NET)</p> <ul style="list-style-type: none"> • Locks that are both construction keyed and keyed alike in a house group will be charged a total of \$5.00 (NET) per cylinder. |
|---|

| |
|--|
| <p>Charge for Re-Keying - \$2.00 (NET) per Cylinder</p> <ul style="list-style-type: none"> • Locks that are keyed to code or keyed alike in a house group will be charged \$2.00 (NET) per cylinder. |
|--|

| |
|---|
| <p>Keying to Code</p> <ul style="list-style-type: none"> • Order by indicating "Key Code XXXXX" next to applicable locks. |
|---|

| |
|---|
| <p>Keying Alike</p> <ul style="list-style-type: none"> • Order by indicating "Keyed Alike" next to applicable locks if only one keyed alike group is wanted. • If ordering multiple groups (houses) indicate "Keyed Alike House #_" next to applicable locks. |
|---|

Set includes plates, handles and cylinders (where applicable). Multi Point lock mechanism is not included.
Milgard®, Pella®

| | |
|---|--|
| Keyed with American Cylinder (for Active Door, Schlage® Keyway Standard, Weiser® Keyway Optional, Rekeyable) | |
| 1 ½" x 11" Plates, Product Codes 1611, 1631, 1651, 1671, 16A1 | 2" x 10" Plates, Product Codes 1621, 1641, 1661, 1681, 16B1 |
| Non-Keyed, Passage (for Semi-Active Door) | |
| 1 ½" x 11" Plates, Product Codes 1612, 1632, 1652, 1672, 16A2 | 2" x 10" Plates, Product Codes 1622, 1642, 1662, 1682, 16B2 |
| Non-Keyed, American Style Thumbturn Inside (for Active Door) | |
| 1 ½" x 11" Plates, Product Codes 1613, 1633, 1653, 1673, 16A3 | 2" x 10" Plates, Product Codes 1623, 1643, 1663, 1683, 16B3 |
| Non-Keyed, Fixed Handle Outside, Operating Handle Inside (for Semi-Active Door) | |
| 1 ½" x 11" Plates, Product Codes 1614, 1634, 1654, 1674, 16A4 | 2" x 10" Plates, Product Codes 1624, 1644, 1664, 1684, 16B4 |
| Dummy Pair (for Non-Active Door) | |
| 1 ½" x 11" Plates, Product Codes 1615, 1635, 1655, 1675, 16A5 | 2" x 10" Plates, Product Codes 1625, 1645, 1665, 1685, 16B5 |

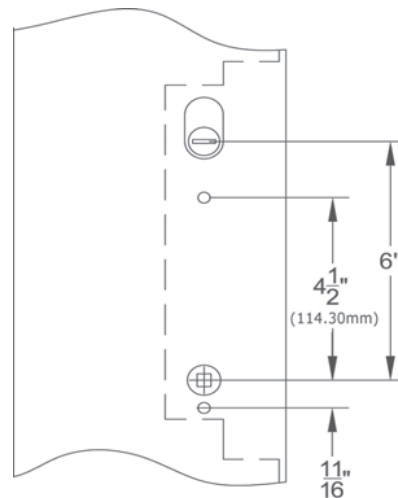
DOOR CONFIGURATION

#7

American Cylinder Hub Above Handle 6" Center-to-Center

ref. Trillanium® (formerly W&F Manufacturing)

Each Multi Point Lock Trim now includes the Spring Assist function which returns the lever to the neutral position and eliminates sagging handles.



Brass Modern
2" x 10" Keyed
Poseidon Levers



Brass Modern
2" x 10" Non-Keyed
Hercules Levers

| BRASS PLATES, MODERN STYLE | Product Code | Lever Style (LH/RH) | Finish | List Price |
|--|--------------|---|--|-----------------|
| Sets with 2" x 10" Plates | | <i>See Page 8 for Brass & Modern Brass Lever Options.</i> | Satin Brass (US4) Oil Rubbed Bronze (US10B) Polished Nickel - Lifetime (US14) Satin Nickel (US15) Flat Black (US19) Polished Chrome (US26) Unlacquered Brass (US3NL)* | \$203.00 |
| Keyed with American Cylinder (Schlage® Keyway standard, Weiser® Keyway optional, Rekeyable) | 17B1 | | | |
| Non-Keyed American Style T-Turn Inside (Patio Function) | 17B3 | | | |
| Dummy Pair | 17B5 | | | |
| Non-Keyed American Style T-Turn Inside, Fixed Handles | 17B6 | | | |
| | | | *Unlacquered Brass (US3NL) finish available for a \$40 List Price upcharge per item. | |

Handing Required

- Key codes may be specified. Fits standard door thickness of 1¾". Specify if thicker.
- Set includes plates, handles and cylinders (where applicable). Multi Point lock mechanism is not included.

Weiser®(WR5) Keyway

- Specify by adding "W" to the beginning of Product Code.
- No upcharge for cylinder substitution. Can be keyed into existing Weiser® system.



Stainless Steel
2" x 10" Keyed
Stuttgart Levers



Stainless Steel
2" x 10" Non-Keyed
Hercules Levers

| STAINLESS STEEL PLATES, MODERN STYLE | | Product Code | Lever Style (LH/RH) | Finish | List Price |
|--|------|--------------|--|----------------------|-----------------|
| Sets with 2" x 10" Plates | | | <i>See Page 9 for Stainless Steel Lever Options.</i> | Stainless Steel (SS) | \$203.00 |
| Keyed with American Cylinder (Schlage® Keyway standard, Weiser® Keyway optional, Rekeyable) | 17B1 | | | | |
| Non-Keyed American Style T-Turn Inside (Patio Function) | 17B3 | | | | |
| Dummy Pair | 17B5 | | | | |
| Non-Keyed American Style T-Turn Inside, Fixed Handles | 17B6 | | | | |



Sandcast Rectangular
2" x 10" Keyed
Lariat Levers



Sandcast Rectangular
2" x 10" Non-Keyed
Lariat Levers

| SANDCAST BRONZE PLATES, RECTANGULAR STYLE | | Product Code | Lever Style (LH/RH) | Finish | List Price |
|--|------|--------------|--|--|-----------------|
| Sets with 2" x 10" Plates | | | <i>See Page 9 for Sandcast Bronze Lever Options.</i> | Flat Black Bronze (FB) Medium Bronze (MB) Tumbled White Bronze (TWB) | \$226.00 |
| Keyed with American Cylinder (Schlage® Keyway standard, Weiser® Keyway optional, Rekeyable) | 1761 | | | | |
| Non-Keyed American Style T-Turn Inside (Patio Function) | 1763 | | | | |
| Dummy Pair | 1765 | | | | |
| Non-Keyed American Style T-Turn Inside, Fixed Handles | 1766 | | | | |



Sandcast Arched
2" x 10" Keyed
Montrose Levers



Sandcast Arched
2" x 10" Non-Keyed
Cody Levers

| SANDCAST BRONZE PLATES, ARCHED STYLE | | Product Code | Lever Style (LH/RH) | Finish | List Price |
|--|------|--------------|--|--|-----------------|
| Sets with 2" x 10" Plates | | | <i>See Page 9 for Sandcast Bronze Lever Options.</i> | Flat Black Bronze (FB) Medium Bronze (MB) Tumbled White Bronze (TWB) | \$226.00 |
| Keyed with American Cylinder (Schlage® Keyway standard, Weiser® Keyway optional, Rekeyable) | 1721 | | | | |
| Non-Keyed American Style T-Turn Inside (Patio Function) | 1723 | | | | |
| Dummy Pair | 1725 | | | | |
| Non-Keyed American Style T-Turn Inside, Fixed Handles | 1726 | | | | |

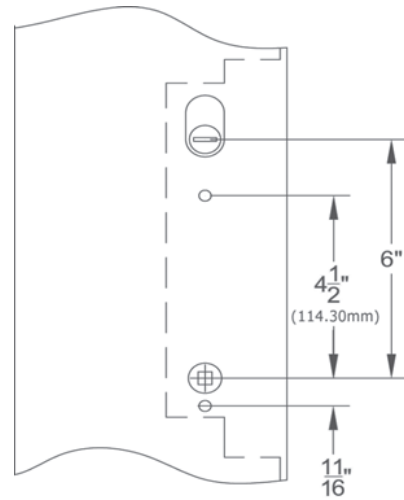
DOOR CONFIGURATION

#7

American Cylinder Hub Above Handle 6" Center-to-Center

ref. Trillanium® (formerly W&F Manufacturing)

Each Multi Point Lock Trim now includes the Spring Assist function which returns the lever to the neutral position and eliminates sagging handles.



| LOST WAX CAST BRONZE PLATES, TUSCANY STYLE | Product Code | Lever Style (LH/RH) | Finish | List Price |
|---|--------------|---|--|-----------------|
| Sets with 2" x 10" Plates | | <i>See Page 9 for Lost Wax Cast Bronze Lever Options.</i> | Flat Black Bronze (FB) Medium Bronze (MB) | \$226.00 |
| Keyed with American Cylinder (Schlage® Keyway standard, Weiser® Keyway optional, Rekeyable) | 1741 | | | |
| Non-Keyed American Style T-Turn Inside (Patio Function) | 1743 | | | |
| Dummy Pair | 1745 | | | |
| Non-Keyed American Style T-Turn Inside, Fixed Handles | 1746 | | | |

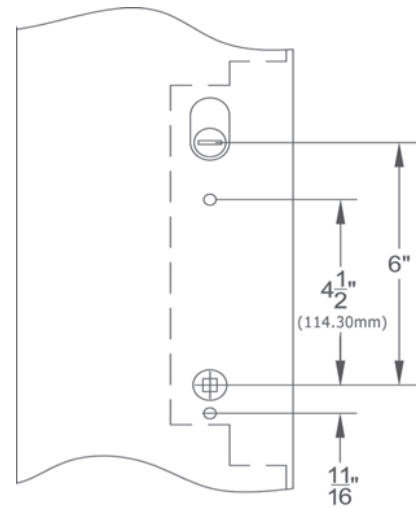
Handing Required

- Key codes may be specified. Fits standard door thickness of 1¾". Specify if thicker.
- Set includes plates, handles and cylinders (where applicable). Multi Point lock mechanism is not included.

Weiser®(WR5) Keyway

- Specify by adding "W" to the beginning of Product Code.
- No upcharge for cylinder substitution. Can be keyed into existing Weiser® system.

Door Configuration #7 American Cylinder Above Handle 6" Center-to-Center



Keyed Plates with American Cylinder Includes non-keyed thumbturn inside

| Standard Door Thickness: from 1 5/8" to 2" |
|---|
| Standard Components: • Single Cylinder Tailpiece • 2" Steel Spindles (Half-spindle) • 2" Rosette Screws for 1 5/8" - 1 3/4" thick door • 2 1/2" Rosette Screws for 1 3/4" - 2" thick door |

| Extended Door Thickness: Over 2" to 2 3/4" |
|--|
| Extended Components: • Long Single Cylinder Tailpiece • 2" Steel Spindles (Half-spindle) • 2 1/2" Rosette Screws 2" - 2 1/4" thick door • 3" Rosette Screws for 2 1/4" - 2 3/4" thick door |

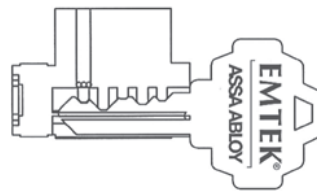
Non-Keyed Plates Includes non-keyed passage, fixed handle out/operating handle in, & dummy (uses screws only)

| Standard Door Thickness: from 1 5/8" to 2" |
|---|
| Standard Components: • Thumbturn Tailpiece • 2" Steel Spindles (Half-spindle. No spindle for fixed handles) • 2" Rosette Screws for 1 5/8" - 1 3/4" thick door • 2 1/2" Rosette Screws for 1 3/4" - 2" thick door |

| Extended Door Thickness: Over 2" to 2 3/4" |
|--|
| Extended Components: • Long Thumbturn Tailpiece • 2" Steel Spindles (Half-spindle. No spindle for fixed handles) • 2 1/2" Rosette Screws 2" - 2 1/4" thick door • 3" Rosette Screws for 2 1/4" - 2 3/4" thick door |

CONSTRUCTION KEYING

- Lost ball system.
- Last four pin locations drilled for lost ball application.
- Master key pins used for code variability.
- Construction keys and owner keys sent separately.
- Order by indicating "**Construction Keyed, House #_**" next to applicable locks.



- Construction devices used on one or more of last four positions.



- Dimples drilled in plug in this position.

| Charge for Construction Keying - \$3.00 (NET) |
|---|
| • Locks that are both construction keyed and keyed alike in a house group will be charged a total of \$5.00 (NET) per cylinder. |

| Charge for Re-Keying - \$2.00 (NET) per Cylinder |
|---|
| • Locks that are keyed to code or keyed alike in a house group will be charged \$2.00 (NET) per cylinder. |

| Keying to Code |
|---|
| • Order by indicating "Key Code XXXX" next to applicable locks. |

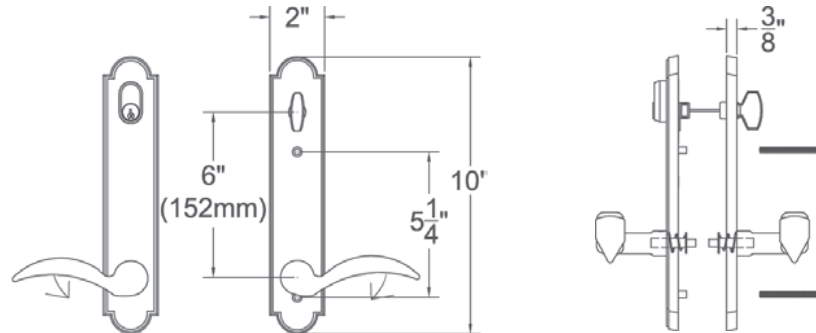
| Keying Alike |
|---|
| • Order by indicating "Keyed Alike" next to applicable locks if only one keyed alike group is wanted. |
| • If ordering multiple groups (houses) indicate " Keyed Alike House #_ " next to applicable locks. |

DOOR CONFIGURATION #7 Specification Sheet for Components and Door Thickness

Set includes plates, handles and cylinders (where applicable). Multi Point lock mechanism is not included.
Trillanium® (formerly W&F Manufacturing)

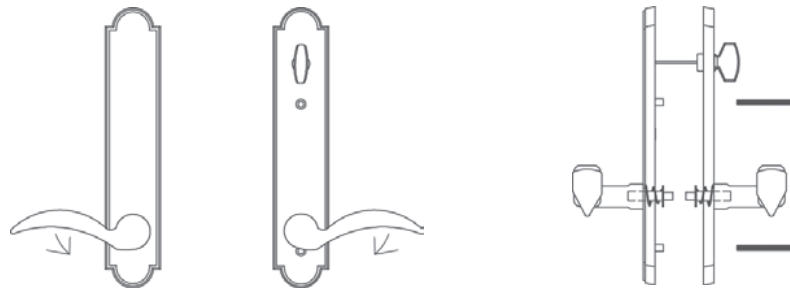
Keyed with American Cylinder (for Active Door, Schlage® Keyway Standard, Weiser® Keyway Optional, Rekeyable)

2" x 10" Plates, Product Codes 1721, 1741, 1761, 17B1



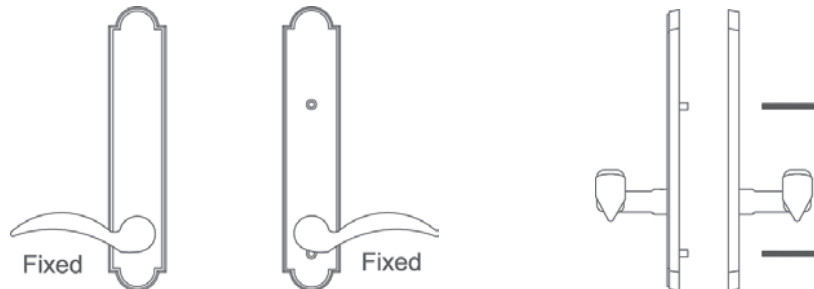
Non-Keyed, American Style T-Turn Inside (Active Door)

2" x 10" Plates, Product Codes 1723, 1743, 1763, 17B3



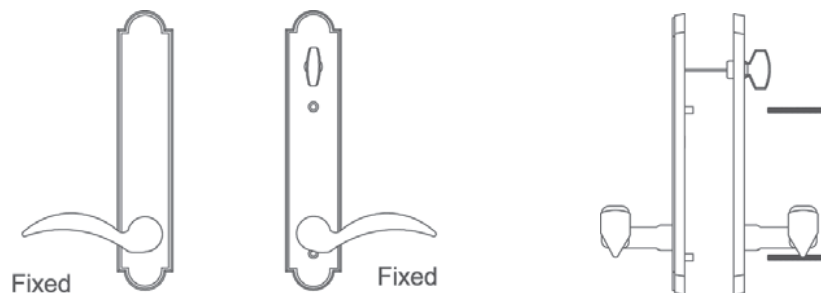
Dummy Pair (for Non-Active Door)

2" x 10" Plates, Product Codes 1725, 1745, 1765, 17B5



Non-Keyed, Fixed Handles, American Style T-Turn Inside (for Semi-Active Door)

2" x 10" Plates, Product Codes 1726, 1746, 1766, 17B6



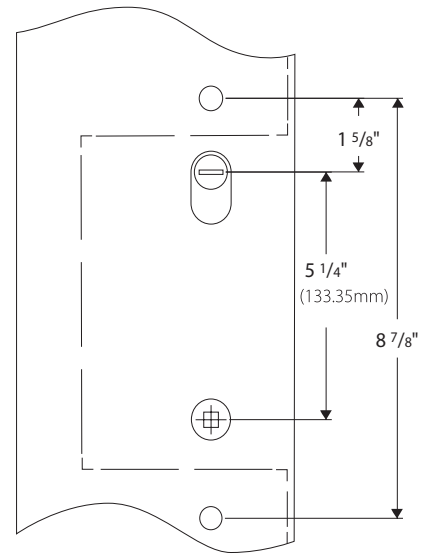
DOOR CONFIGURATION

#8

American Cylinder Hub Above Handle 5 1/4" Center to Center

ref. Neuma Doors®

Each Multi Point Lock Trim now includes the Spring Assist function which returns the lever to the neutral position and eliminates sagging handles.



Stainless Steel
1 1/2" x 11" Non-Keyed
Athena Levers



Stainless Steel
2" x 10" Keyed
Dresden Levers

| STAINLESS STEEL PLATES, MODERN STYLE | Product Code | Lever Style (LH/RH) | Finish | List Price |
|--|--------------|--|----------------------|-----------------|
| Sets with 1 1/2" x 11" Plates | | <i>See Page 9 for Stainless Steel Lever Options.</i> | Stainless Steel (SS) | \$203.00 |
| Keyed with American Cylinder (Schlage® Keyway standard, Weiser® Keyway optional, Rekeyable) | 18A1 | | | |
| Non-Keyed Passage | 18A2 | | | |
| Non-Keyed American Style Thumbturn Inside | 18A3 | | | |
| Non-Keyed Fixed Handle Outside, Operating Handle Inside | 18A4 | | | |
| Sets with 2" x 10" Plates | | | | |
| Keyed with American Cylinder (Schlage® Keyway standard, Weiser® Keyway optional, Rekeyable) | 18B1 | | | |
| Non-Keyed Passage | 18B2 | | | |
| Non-Keyed American Style Thumbturn Inside | 18B3 | | | |
| Non-Keyed Fixed Handle Outside, Operating Handle Inside | 18B4 | | | |

Handing Required

- Key codes may be specified. Fits standard door thickness of 1 3/4". Specify if thicker.
- Set includes plates, handles and cylinders (where applicable). Multi Point lock mechanism is not included.

Weiser® (WR5) Keyway

- Specify by adding "W" to the beginning of Product Code.
- No upcharge for cylinder substitution. Can be keyed into existing Weiser® system.

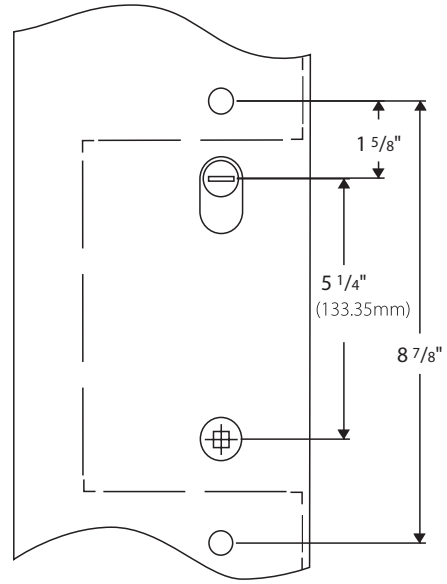
DOOR CONFIGURATION

#8

American Cylinder Hub Above Handle 5 1/4" Center to Center

ref. Neuma Doors®

Each Multi Point Lock Trim now includes the Spring Assist function which returns the lever to the neutral position and eliminates sagging handles.



Sandcast Rectangular
1 1/2" x 11" Non-Keyed
Lariat Levers



Sandcast Rectangular
2" x 10" Keyed
Teton Levers

| SANDCAST BRONZE PLATES, RECTANGULAR STYLE | Product Code | Lever Style (LH/RH) | Finish | List Price |
|---|--------------|--|--|-----------------|
| Sets with 1 1/2" x 11" Plates | | <i>See Page 9 for Sandcast Bronze Lever Options.</i> | Flat Black Bronze (FB) Medium Bronze (MB) Tumbled White Bronze (TWB) | \$226.00 |
| Keyed with American Cylinder (Schlage® Keyway standard, Weiser® Keyway optional, Rekeyable) | 1851 | | | |
| Non-Keyed Passage | 1852 | | | |
| Non-Keyed American Style Thumbturn Inside | 1853 | | | |
| Non-Keyed Fixed Handle Outside, Operating Handle Inside | 1854 | | | |
| Sets with 2" x 10" Plates | | | | |
| Keyed with American Cylinder (Schlage® Keyway standard, Weiser® Keyway optional, Rekeyable) | 1861 | | | |
| Non-Keyed Passage | 1862 | | | |
| Non-Keyed American Style Thumbturn Inside | 1863 | | | |
| Non-Keyed Fixed Handle Outside, Operating Handle Inside | 1864 | | | |

Handing Required

- Key codes may be specified. Fits standard door thickness of 1 3/4". Specify if thicker.
- Set includes plates, handles and cylinders (where applicable). Multi Point lock mechanism is not included.

Weiser® (WR5) Keyway

- Specify by adding "W" to the beginning of Product Code.
- No upcharge for cylinder substitution. Can be keyed into existing Weiser® system.



Sandcast Arched
1 1/2" x 11" Non-Keyed
Cimarron Levers

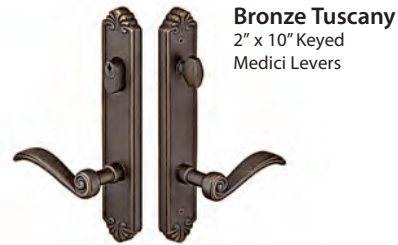


Sandcast Arched
2" x 10" Keyed
Durango Levers

| SANDCAST BRONZE PLATES, ARCHED STYLE | Product Code | Lever Style (LH/RH) | Finish | List Price |
|--|--------------|--|--|-----------------|
| Sets with 1 1/2" x 11" Plates | 1811 | <i>See Page 9 for Sandcast Bronze Lever Options.</i> | Flat Black Bronze (FB) Medium Bronze (MB) Tumbled White Bronze (TWB) | \$226.00 |
| Keyed with American Cylinder (Schlage® Keyway standard, Weiser® Keyway optional, Rekeyable) | | | | |
| Non-Keyed Passage | | | | |
| Non-Keyed American Style Thumbturn Inside | | | | |
| Non-Keyed Fixed Handle Outside, Operating Handle Inside | | | | |
| Sets with 2" x 10" Plates | 1821 | | | |
| Keyed with American Cylinder (Schlage® Keyway standard, Weiser® Keyway optional, Rekeyable) | | | | |
| Non-Keyed Passage | | | | |
| Non-Keyed American Style Thumbturn Inside | | | | |
| Non-Keyed Fixed Handle Outside, Operating Handle Inside | 1824 | | | |



Bronze Tuscany
1 1/2" x 11" Non-Keyed
Octagon Levers



Bronze Tuscany
2" x 10" Keyed
Medici Levers

| LOST WAX CAST BRONZE PLATES, TUSCANY STYLE | Product Code | Lever Style (LH/RH) | Finish | List Price |
|--|--------------|---|--|-----------------|
| Sets with 1 1/2" x 11" Plates | 1831 | <i>See Page 9 for Lost Wax Cast Bronze Lever Options.</i> | Flat Black Bronze (FB) Medium Bronze (MB) | \$226.00 |
| Keyed with American Cylinder (Schlage® Keyway standard, Weiser® Keyway optional, Rekeyable) | | | | |
| Non-Keyed Passage | | | | |
| Non-Keyed American Style Thumbturn Inside | | | | |
| Non-Keyed Fixed Handle Outside, Operating Handle Inside | 1834 | | | |
| Sets with 2" x 10" Plates | 1841 | | | |
| Keyed with American Cylinder (Schlage® Keyway standard, Weiser® Keyway optional, Rekeyable) | | | | |
| Non-Keyed Passage | | | | |
| Non-Keyed American Style Thumbturn Inside | | | | |
| Non-Keyed Fixed Handle Outside, Operating Handle Inside | 1844 | | | |

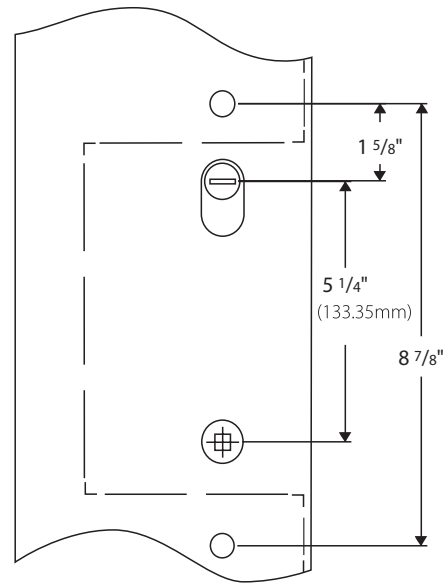
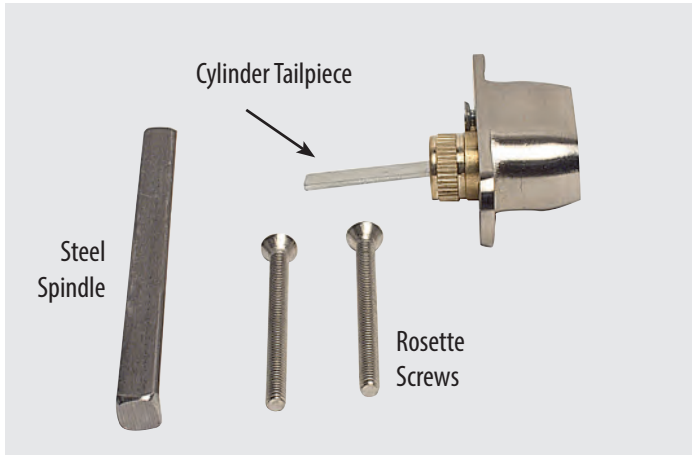
Handing Required

- Key codes may be specified. Fits standard door thickness of 1 3/4". Specify if thicker.
- Set includes plates, handles and cylinders (where applicable). Multi Point lock mechanism is not included.

Weiser® (WR5) Keyway

- Specify by adding "W" to the beginning of Product Code.
- No upcharge for cylinder substitution. Can be keyed into existing Weiser® system.

Door Configuration #8 American Cylinder Above Handle 5 1/4" Center to Center



Keyed Plates with American Cylinder Includes non-keyed thumbturn inside

Standard Door Thickness: 1 3/4"

Standard Components:

- Single Cylinder Tailpiece
- 3 3/4" Steel Spindle
- 1 1/2" Rosette Screws

Non-Keyed Plates Includes non-keyed passage, fixed handle out/operating handle in

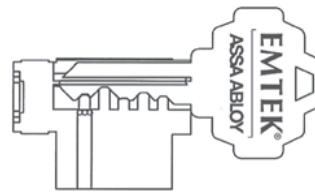
Standard Door Thickness: 1 3/4"

Standard Components:

- Thumbturn Tailpiece
- 3 3/4" Steel Spindle (half-spindle for fixed handle out/operating handle in)
- 1 1/2" Rosette Screws

CONSTRUCTION KEYING

- Lost ball system.
- Last four pin locations drilled for lost ball application.
- Master key pins used for code variability.
- Construction keys and owner keys sent separately.
- Order by indicating "**Construction Keyed, House #_**" next to applicable locks.



Construction devices used on one or more of last four positions.



Dimples drilled in plug in this position.

Charge for Construction Keying - \$3.00 (NET)

- Locks that are both construction keyed and keyed alike in a house group will be charged a total of \$5.00 (NET) per cylinder.

Charge for Re-Keying - \$2.00 (NET) per Cylinder

- Locks that are keyed to code or keyed alike in a house group will be charged \$2.00 (NET) per cylinder.

Keying to Code

- Order by indicating "Key Code XXXXX" next to applicable locks.

Keying Alike

- Order by indicating "Keyed Alike" next to applicable locks if only one keyed alike group is wanted.
- If ordering multiple groups (houses) indicate "**Keyed Alike House #_**" next to applicable locks.

Set includes plates, handles and cylinders (where applicable). Multi Point lock mechanism is not included.

Neuma Doors®

| Keyed with American Cylinder (for Active Door, Schlage® Keyway Standard, Weiser® Keyway Optional, Rekeyable) | |
|---|--|
| <p>1 ½" x 11" Plates, Product Codes 1811, 1831, 1851, 18A1</p> | <p>2" x 10" Plates, Product Codes 1821, 1841, 1861, 18B1</p> |
| Non-Keyed, Passage (for Semi-Active Door) | |
| <p>1 ½" x 11" Plates, Product Codes 1812, 1832, 1852, 18A2</p> | <p>2" x 10" Plates, Product Codes 1822, 1842, 1862, 18B2</p> |
| Non-Keyed, American Style Thumbturn Inside (for Active Door) | |
| <p>1 ½" x 11" Plates, Product Codes 1813, 1833, 1853, 18A3</p> | <p>2" x 10" Plates, Product Codes 1823, 1843, 1863, 18B3</p> |
| Non-Keyed, Fixed Handle Outside, Operating Handle Inside (for Semi-Active Door) | |
| <p>1 ½" x 11" Plates, Product Codes 1814, 1834, 1854, 18A4</p> <p>Fixed</p> | <p>2" x 10" Plates, Product Codes 1824, 1844, 1864, 18B4</p> <p>Fixed</p> |

PRODUCT INDEX

| PRODUCT CODE | PAGE | PRODUCT CODE | PAGE | PRODUCT CODE | PAGE | PRODUCT CODE | PAGE | PRODUCT CODE | PAGE | PRODUCT CODE | PAGE |
|--------------|------|--------------|------|--------------|------|--------------|------|--------------|------|--------------|-------|
| 1111 | 24 | 1253 | 31 | 1415 | 42 | 1562 | 49 | 1761 | 59 | 14A5 | 41 |
| 1112 | 24 | 1254 | 31 | 1421 | 42 | 1563 | 49 | 1763 | 59 | 14B1 | 41 |
| 1113 | 24 | 1255 | 31 | 1422 | 42 | 1564 | 49 | 1765 | 59 | 14B2 | 41 |
| 1114 | 24 | 1261 | 31 | 1423 | 42 | 1565 | 49 | 1766 | 59 | 14B3 | 41 |
| 1115 | 24 | 1262 | 31 | 1424 | 42 | 1571 | 46 | 1811 | 65 | 14B4 | 41 |
| 1121 | 24 | 1263 | 31 | 1425 | 42 | 1572 | 46 | 1812 | 65 | 14B5 | 41 |
| 1122 | 24 | 1264 | 31 | 1431 | 43 | 1573 | 46 | 1813 | 65 | 15A1 | 47 |
| 1123 | 24 | 1265 | 31 | 1432 | 43 | 1574 | 46 | 1814 | 65 | 15A2 | 47 |
| 1124 | 24 | 1271 | 28 | 1433 | 43 | 1575 | 46 | 1821 | 65 | 15A3 | 47 |
| 1125 | 24 | 1272 | 28 | 1434 | 43 | 1581 | 46 | 1822 | 65 | 15A4 | 47 |
| 1131 | 25 | 1273 | 28 | 1435 | 43 | 1582 | 46 | 1823 | 65 | 15A5 | 47 |
| 1132 | 25 | 1274 | 28 | 1441 | 43 | 1583 | 46 | 1824 | 65 | 15B1 | 47 |
| 1133 | 25 | 1275 | 28 | 1442 | 43 | 1584 | 46 | 1831 | 65 | 15B2 | 47 |
| 1134 | 25 | 1281 | 28 | 1443 | 43 | 1585 | 46 | 1832 | 65 | 15B3 | 47 |
| 1135 | 25 | 1282 | 28 | 1444 | 43 | 1611 | 54 | 1833 | 65 | 15B4 | 47 |
| 1141 | 25 | 1283 | 28 | 1445 | 43 | 1612 | 54 | 1834 | 65 | 15B5 | 47 |
| 1142 | 25 | 1284 | 28 | 1451 | 43 | 1613 | 54 | 1841 | 65 | 16A1 | 53 |
| 1143 | 25 | 1285 | 28 | 1452 | 43 | 1614 | 54 | 1842 | 65 | 16A2 | 53 |
| 1144 | 25 | 1311 | 36 | 1453 | 43 | 1615 | 54 | 1843 | 65 | 16A3 | 53 |
| 1145 | 25 | 1312 | 36 | 1454 | 43 | 1621 | 54 | 1844 | 65 | 16A4 | 53 |
| 1151 | 25 | 1313 | 36 | 1455 | 43 | 1622 | 54 | 1851 | 64 | 16A5 | 53 |
| 1152 | 25 | 1314 | 36 | 1461 | 43 | 1623 | 54 | 1852 | 64 | 16B1 | 53 |
| 1153 | 25 | 1315 | 36 | 1462 | 43 | 1624 | 54 | 1853 | 64 | 16B2 | 53 |
| 1154 | 25 | 1321 | 36 | 1463 | 43 | 1625 | 54 | 1854 | 64 | 16B3 | 53 |
| 1155 | 25 | 1322 | 36 | 1464 | 43 | 1631 | 55 | 1861 | 64 | 16B4 | 53 |
| 1161 | 25 | 1323 | 36 | 1465 | 43 | 1632 | 55 | 1862 | 64 | 16B5 | 53 |
| 1162 | 25 | 1324 | 36 | 1471 | 40 | 1633 | 55 | 1863 | 64 | 17B1 | 58,59 |
| 1163 | 25 | 1325 | 36 | 1472 | 40 | 1634 | 55 | 1864 | 64 | 17B3 | 58,59 |
| 1164 | 25 | 1331 | 37 | 1473 | 40 | 1635 | 55 | 11A1 | 23 | 17B5 | 58,59 |
| 1165 | 25 | 1332 | 37 | 1474 | 40 | 1641 | 55 | 11A2 | 23 | 17B6 | 58,59 |
| 1171 | 22 | 1333 | 37 | 1475 | 40 | 1642 | 55 | 11A3 | 23 | 18A1 | 63 |
| 1172 | 22 | 1334 | 37 | 1481 | 40 | 1643 | 55 | 11A4 | 23 | 18A2 | 63 |
| 1173 | 22 | 1335 | 37 | 1482 | 40 | 1644 | 55 | 11A5 | 23 | 18A3 | 63 |
| 1174 | 22 | 1341 | 37 | 1483 | 40 | 1645 | 55 | 11B1 | 23 | 18A4 | 63 |
| 1175 | 22 | 1342 | 37 | 1484 | 40 | 1651 | 55 | 11B2 | 23 | 18B1 | 63 |
| 1181 | 22 | 1343 | 37 | 1485 | 40 | 1652 | 55 | 11B3 | 23 | 18B2 | 63 |
| 1182 | 22 | 1344 | 37 | 1511 | 48 | 1653 | 55 | 11B4 | 23 | 18B3 | 63 |
| 1183 | 22 | 1345 | 37 | 1512 | 48 | 1654 | 55 | 11B5 | 23 | 18B4 | 63 |
| 1184 | 22 | 1351 | 37 | 1513 | 48 | 1655 | 55 | 12A1 | 29 | 1LA1 | 16 |
| 1185 | 22 | 1352 | 37 | 1514 | 48 | 1661 | 55 | 12A2 | 29 | 1LA2 | 16 |
| 1211 | 30 | 1353 | 37 | 1515 | 48 | 1662 | 55 | 12A3 | 29 | 1LA3 | 16 |
| 1212 | 30 | 1354 | 37 | 1521 | 48 | 1663 | 55 | 12A4 | 29 | 1LA4 | 16 |
| 1213 | 30 | 1355 | 37 | 1522 | 48 | 1664 | 55 | 12A5 | 29 | 1LM1 | 15 |
| 1214 | 30 | 1361 | 37 | 1523 | 48 | 1665 | 55 | 12B1 | 29 | 1LM2 | 15 |
| 1215 | 30 | 1362 | 37 | 1524 | 48 | 1671 | 52 | 12B2 | 29 | 1LM3 | 15 |
| 1221 | 30 | 1363 | 37 | 1525 | 48 | 1672 | 52 | 12B3 | 29 | 1LM4 | 15 |
| 1222 | 30 | 1364 | 37 | 1531 | 49 | 1673 | 52 | 12B4 | 29 | 1LR1 | 14 |
| 1223 | 30 | 1365 | 37 | 1532 | 49 | 1674 | 52 | 12B5 | 29 | 1LR2 | 14 |
| 1224 | 30 | 1371 | 34 | 1533 | 49 | 1675 | 52 | 13A1 | 35 | 1LR3 | 14 |
| 1225 | 30 | 1372 | 34 | 1534 | 49 | 1681 | 52 | 13A2 | 35 | 1LR4 | 14 |
| 1231 | 31 | 1373 | 34 | 1535 | 49 | 1682 | 52 | 13A3 | 35 | 2LA1 | 20 |
| 1232 | 31 | 1374 | 34 | 1541 | 49 | 1683 | 52 | 13A4 | 35 | 2LA2 | 20 |
| 1233 | 31 | 1375 | 34 | 1542 | 49 | 1684 | 52 | 13A5 | 35 | 2LM1 | 19 |
| 1234 | 31 | 1381 | 34 | 1543 | 49 | 1685 | 52 | 13B1 | 35 | 2LM2 | 19 |
| 1235 | 31 | 1382 | 34 | 1544 | 49 | 1721 | 59 | 13B2 | 35 | 2LR1 | 18 |
| 1241 | 31 | 1383 | 34 | 1545 | 49 | 1723 | 59 | 13B3 | 35 | 2LR2 | 18 |
| 1242 | 31 | 1384 | 34 | 1551 | 49 | 1725 | 59 | 13B4 | 35 | | |
| 1243 | 31 | 1385 | 34 | 1552 | 49 | 1726 | 59 | 13B5 | 35 | | |
| 1244 | 31 | 1411 | 42 | 1553 | 49 | 1741 | 60 | 14A1 | 41 | | |
| 1245 | 31 | 1412 | 42 | 1554 | 49 | 1743 | 60 | 14A2 | 41 | | |
| 1251 | 31 | 1413 | 42 | 1555 | 49 | 1745 | 60 | 14A3 | 41 | | |
| 1252 | 31 | 1414 | 42 | 1561 | 49 | 1746 | 60 | 14A4 | 41 | | |

Door Manufacturers listed under each configuration are for reference only and are subject to change. Some retrofitting may be necessary. Please carefully measure and identify your hardware using the diagrams and steps listed on pages 2, 3 and 4.

G-U® is a registered trademark of G-U Hardware, Inc. Paddock™ is a registered trademark of Yale® UK. Pella® is a registered trademark of Pella Corporation. Sierra Pacific Windows® is a registered trademark of Sierra Pacific Industries. Superior® is a registered trademark of Superior Engineered Products Corporation. Willmar® is a registered trademark of JELD-WEN of Canada Ltd. Andersen® is a registered trademark of Andersen Corporation. Trillanium® is a registered trademark of Endura Products, Inc. Eagle® is a registered trademark of Eagle Window and Door, Inc. BiltBest® is a registered trademark of BiltBest Windows and Patio Doors. Ashland® is a registered trademark of Ashland Products, Inc. Caradco®, JELD-WEN, Norco® and Pozzi® are registered trademarks of JELD-WEN Inc., Oregon, USA. Integrity® and Marvin® are registered trademarks of Marvin Windows and Doors. Milgard® is a registered trademark of Milgard Windows, Inc. Therma-Tru® is a registered trademark of Therma-Tru Doors®. HOPPE® is a registered trademark of HOPPE North America, Inc. Hurd® is a registered trademark of Hurd Millwork Company. Kolbe & Kolbe® is a registered trademark of Kolbe & Kolbe Millwork Company, Inc. Lincoln® is a registered trademark of Lincoln Wood Products, Inc. Loewen® is a registered trademark of Loewen Windows. PGT® is a registered trademark of PGT Industries. Peachtree® and Vetter® are registered trademark of The Peachtree Companies, Inc. Semco® is a registered trademark of Semling-Menke Co. Inc. Weathershield® is a registered trademark of Weathershield Mfg. Inc. KML by Andersen® is a registered trademark of KML by Andersen. Atrium® is a registered trademark of Atrium. KFV® is a registered trademark of KFV. Simpson® is a registered trademark of Simpson. Signature® is a registered trademark of Signature. Crestline® is a registered trademark of Crestline. Windsor® is a registered trademark of Windsor. Neuma Doors® is a registered trademark of Nan Ya Plastics Corporation. With the exception of Paddock™, none of the aforementioned companies are affiliated with Emtek Products, Inc.

LIFETIME LIMITED WARRANTY

Subject to the terms and conditions of this warranty, Emtek Products, Inc. ("Company") extends a lifetime limited warranty* to the original consumer user ("Original User") of our product ("Product") against defects in material and workmanship, as long as the Original User occupies the residential premises upon which the Product was originally installed.

**Electronic components warranted TWO (2) YEARS*

This warranty only applies to the Original User of the Products. This warranty is not transferable. This warranty applies to all products sold on or after April 2, 2012.

Original User: The Original User will return the defective Product to the retailer from whom it was purchased, accompanied by a statement of defects and proof of purchase.

What Emtek will do: Upon return of the defective Product to Emtek for inspection, free and clear of all liens and encumbrances and accompanied by the statement of defects and proof of purchase, Emtek's sole obligation, at its option, is to either repair or replace the Product, or refund the original retailer purchase price in exchange for the Product.

THE COMPANY MAKES NO OTHER WARRANTY OTHER THAN AS EXPRESSLY STATED HEREIN, AND ALL IMPLIED WARRANTIES, INCLUDING ANY WARRANTY OF MERCHANTABILITY OR FITNESS FOR A PARTICULAR PURPOSE, ARE HEREBY EXCLUDED.

THE COMPANY'S MAXIMUM LIABILITY HEREUNDER IS LIMITED TO THE PURCHASE PRICE OF THE PRODUCT. IN NO EVENT SHALL THE COMPANY BE LIABLE FOR ANY CONSEQUENTIAL, INDIRECT, INCIDENTAL OR SPECIAL AND/OR PUNITIVE DAMAGES OF ANY NATURE ARISING FROM THE SALE OR USE OF THE PRODUCT, WHETHER BASED ON CONTRACT, WARRANTY, TORT, STRICT LIABILITY, PATENT INFRINGEMENT, OR OTHERWISE, EVEN IF ADVISED OF THE POSSIBILITY OF SUCH DAMAGES. Some local laws do not allow the exclusion or limitation of incidental or consequential damages, so the above exclusion or limitation may not apply to you. This warranty gives specific legal rights and a buyer may also have other rights which may vary from state to state.

WHAT IS NOT COVERED: THE FOLLOWING COSTS, EXPENSES AND DAMAGES ARE NOT COVERED BY THE PROVISIONS OF THIS LIMITED WARRANTY: (I) LABOR COSTS INCLUDING, BUT NOT LIMITED TO, SUCH COSTS AS THE REMOVAL AND RE-INSTALLATION OF PRODUCT; AND (II) SHIPPING AND FREIGHT EXPENSES REQUIRED TO RETURN PRODUCT TO EMTEK.

THE PROVISIONS OF THIS WARRANTY DO NOT APPLY TO PRODUCTS: (I) USED IN COMMERCIAL APPLICATIONS; (II) USED IN COMMON AREA APPLICATIONS; (III) USED FOR PURPOSES FOR WHICH THEY ARE NOT DESIGNED OR INTENDED; (IV) WHICH HAVE BEEN SUBJECTED TO ALTERATION, ABUSE, MISUSE, NEGLIGENCE OR ACCIDENT; (V) WHICH HAVE BEEN IMPROPERLY STORED, INSTALLED, MAINTAINED OR OPERATED; (VI) WHICH HAVE BEEN USED IN VIOLATION OF WRITTEN INSTRUCTIONS PROVIDED BY EMTEK; (VII) WHICH HAVE BEEN SUBJECTED TO IMPROPER TEMPERATURE, HUMIDITY OR OTHER ENVIRONMENTAL CONDITIONS; OR (VIII) WHICH, BASED ON EMTEK'S EXAMINATION, DO NOT DISCLOSE TO EMTEK'S SATISFACTION NON-CONFORMANCE TO THE WARRANTY. Additionally, this warranty DOES NOT COVER scratches, abrasions, or deterioration due to the use of paints, solvents or other chemicals.

Finish Warranty: Polished Brass-Lifetime and Polished Nickel-Lifetime finishes carry a lifetime limited finish warranty. There is no finish warranty on Deep Burgundy, Flat Black Patina, Medium Bronze Patina, Polished White Bronze, Rust, Silver Patina, Tumbled White Bronze, and Unlacquered Brass finishes. All other finishes carry a five year finish warranty.

Warranty claims: Please contact the retailer from whom the defective product was purchased. If assistance is needed, please contact Emtek Customer Service at:

EMTEK Products, Inc.
15250 E. Stafford Street
City of Industry, CA 91744
Tel: (626) 961-0413

ASSA ABLOY is the global leader in door opening solutions, dedicated to satisfying end-user needs for security, safety and convenience

EMTEK[®]
ASSA ABLOY

EMTEK Products, Inc.
15250 E. Stafford Street
City of Industry • CA 91744
Tel: 800-356-2741 • 626-961-0413
Fax: 800-577-5771 • 626-336-2812
emtek.com

