

ARROW-GRAM



August 28, 2018



OUTDOOR STORAGE TRANSITION

Beginning in September, the Outdoor Storage lineup will be transitioning to new item numbers to address a physical design change.

What is Changing?

Physical changes of the new frame dimensions and the aesthetics *will not* be forward backward compatible, and should not be mixed for installations. The following table lists the current (ending) item numbers and the new item numbers.

Description	Ending Item Numbers	New Item Numbers
Double Storage Drawer	814091	827605
Triple Storage Drawer	814092	827606
Access Door, LH	814805	827598
Access Door, RH	814806	827599
Access Doors, 30"	814087	827600
Single Storage Drawer	814090	827604
Combo Door and Drawer	814093	827607
Access Doors, 36"	814088	827601
Access Doors, 42"	814089	827602
Access Doors, 54"	817049	827603

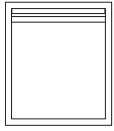
NEW SPECIFICATIONS

The frame design has been updated from a 1" to a 2 3/4" thickness, please reference the enclosed document for the updated specifications for the new storage part numbers.

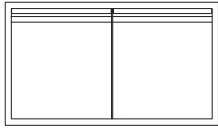
The specifications for the current storage pieces (ending items) can be found in the Design Guide (07/2018) on the website. The updated specifications will be posted to the website future product pages in mid-September to correspond with the shipment start of the new part numbers.

Outdoor Accessories

ACCESS DOORS

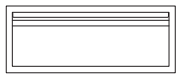


SINGLE

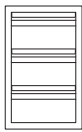


DOUBLE

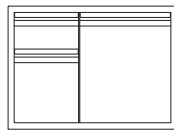
ACCESSORY DRAWERS/DOORS



SINGLE DRAWER



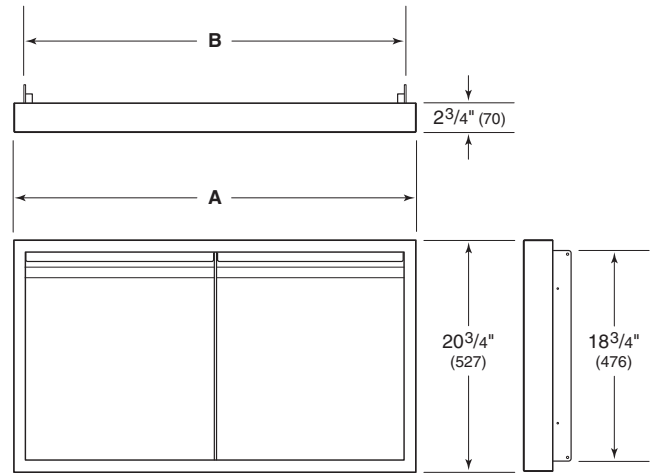
2- OR 3-DRAWER



DOOR/DRAWER

Overall Dimensions

ACCESS DOORS

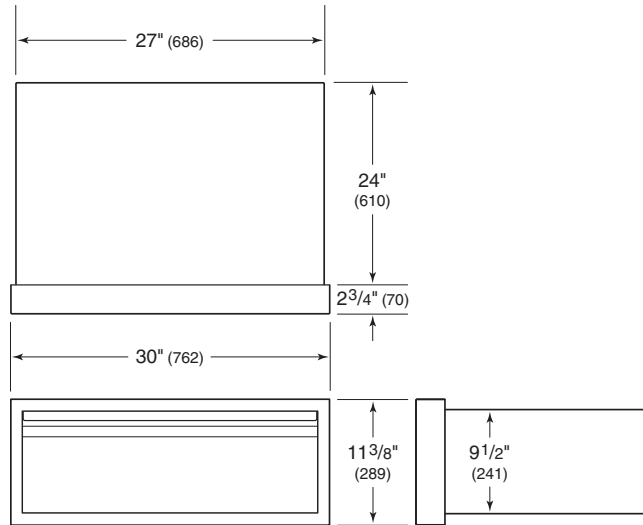


DOOR WIDTH

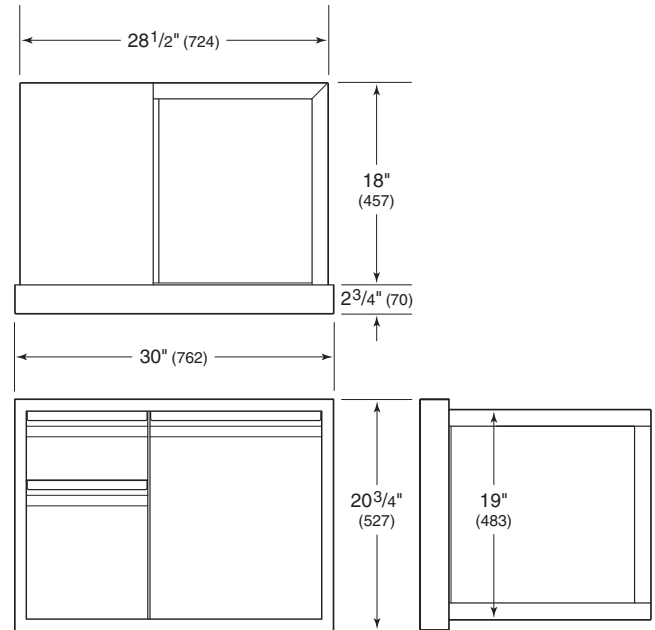
	A	B
18" Single	18" (457)	16 1/4" (413)
30" Double	30" (762)	28 1/4" (718)
36" Double	36" (914)	34 1/4" (870)
42" Double	42" (1067)	40 1/4" (1022)
54" Double	54" (1372)	52 1/4" (1327)

Overall Dimensions

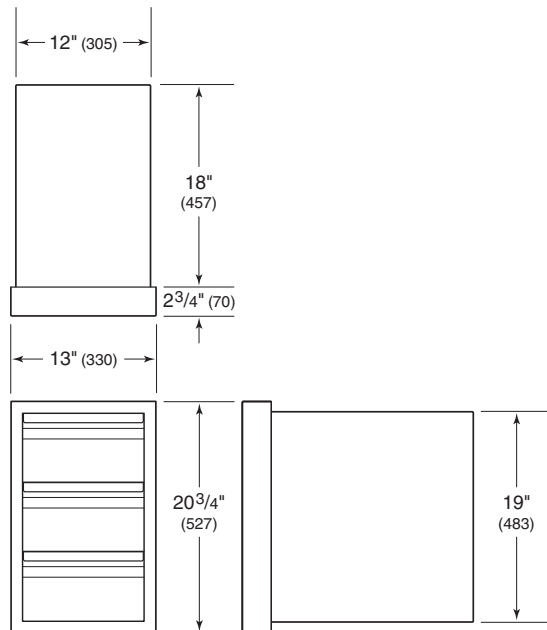
SINGLE DRAWER



DRAWER/DOOR

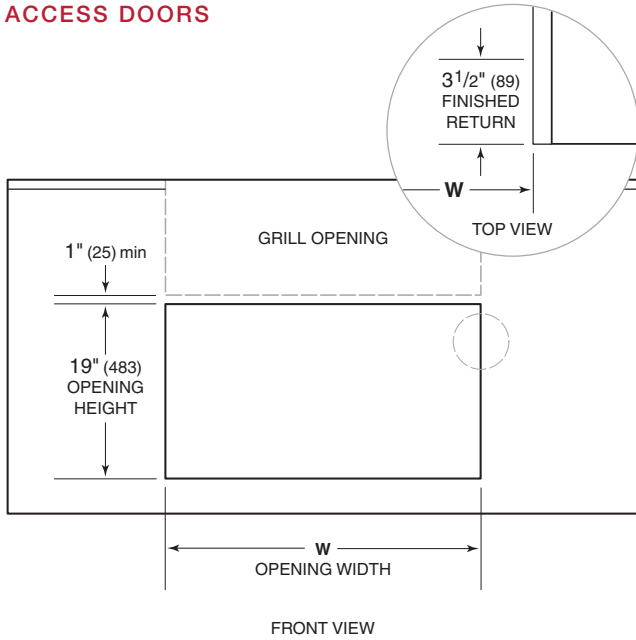


2- OR 3-DRAWER



Installation

ACCESS DOORS



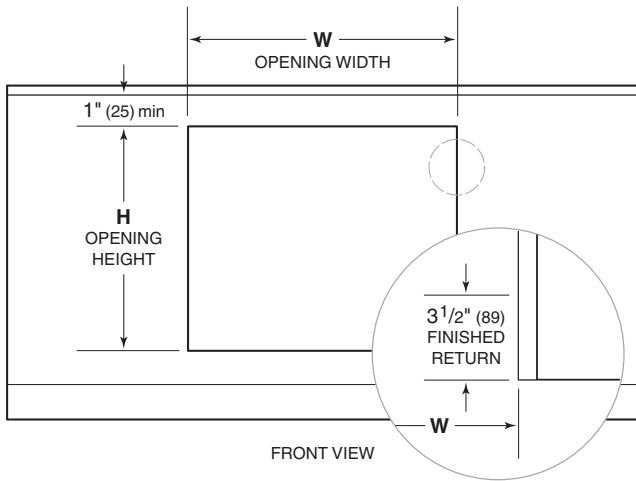
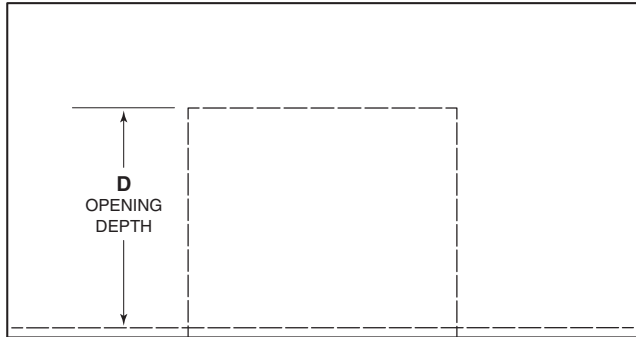
OPENING WIDTH

	W
18" Single	16 ¹ / ₂ " (419)
30" Double	28 ¹ / ₂ " (724)
36" Double	34 ¹ / ₂ " (876)
42" Double	40 ¹ / ₂ " (1029)
54" Double	52 ¹ / ₂ " (1334)

IMPORTANT NOTE: The opening dimensions provided are for a standard installation. For a flush installation, refer to the overall dimensions and adjust the opening dimensions accordingly.

Installation

ACCESSORY DRAWERS/DOORS



OPENING	W	H	D
Single Drawer	27 ¹ / ₄ " (692)	9 ³ / ₄ " (248)	24 ¹ / ₄ " (616)
2- or 3-Drawer	12 ¹ / ₄ " (311)	19 ¹ / ₄ " (489)	18 ¹ / ₄ " (464)
Drawer/Door	28 ³ / ₄ " (730)	19 ¹ / ₄ " (489)	18 ¹ / ₄ " (464)

BASE SUPPORT	MIN
2- or 3-Drawer	150 lb (68 kg)
Drawer/Door	150 lb (68 kg)