

Commercial Flushometer ADA Floor-Mounted Toilet – 1.0/1.28/1.6 GPF

FEATURES

- Floor-mounted
- ADA compliant
- Elongated front bowl
- Optional CeFiONtect™ glaze prevents debris from sticking to ceramic surfaces, making them easier to clean
- Clear glazed trapway coating
- 10"-12" rough-in

MODELS

- CT705ULNG
Commercial ADA compliant, floor-mounted toilet with CeFiONtect ceramic glaze
- CT705ULN
Commercial ADA compliant floor-mounted toilet

ADDITIONAL ITEMS

- SC534 seat
- SC134 seat

FLUSH VALVES			
ECOPOWER®		MANUAL	
Exposed		Exposed	
TET1UA32#CP	1.0 GPF	TMT1LN32#CP	1.28 GPF
TET1LA32#CP	1.28 GPF	TMT1NNC-32	1.6 GPF
TET1GA32#CP	1.6 GPF		
Exposed 24" Breaker			
TET6UA32#CP	1.0 GPF		
TET6LA32#CP	1.28 GPF		
TET6GA32#CP	1.6 GPF		
Concealed 14" x 12"			
TET2UA32#CP	1.0 GPF		
TET2LA32#SS	1.28 GPF		
TET2GA32#SS	1.6 GPF		
Concealed 4" x 4"			
TET3UA32#SS	1.0 GPF		
TET3LA32#SS	1.28 GPF		
TET3GA32#SS	1.6 GPF		



COLORS/FINISHES

- Standard
#01 Cotton

PRODUCT SPECIFICATION

The floor-mounted, ADA compliant low consumption siphon jet flushing toilet shall be 1.0, 1.28, or 1.6 GPF (3.8, 4.8, or 6.0 LPF) when paired with a flush valve of corresponding flush volume. Toilet shall have optional CeFiONtect ceramic glaze. Toilet shall be TOTO Model CT705ULN_____.

CODES/STANDARDS

- Meets and exceeds ASME A112.19.2/CSA B45.1
- Certifications: IAPMO(cUPC), State of Massachusetts, City of Los Angeles, and others
- Code compliance: UPC, IPC, NSPC, NPC Canada, and others
- ADA compliant



CT705ULN(G)

Commercial Flushometer ADA Floor-Mounted Toilet – 1.0/1.28/1.6 GPF

SPECIFICATIONS

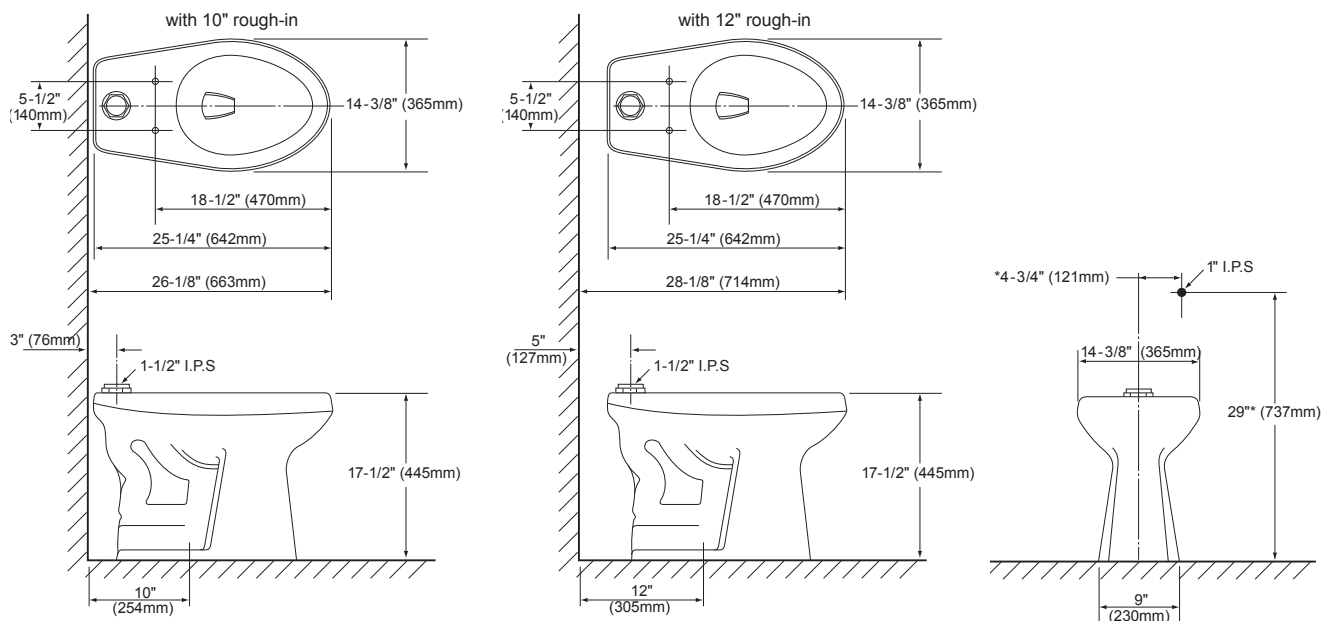
Water Use	1.0/1.28/1.6 GPF (3.8/4.8/6.0 LPF)
Flush System	Siphon Jet Flushing Action
Water Surface	10-3/4" x 9-1/4"
Water Pressure	Min: 35 psi (Flowing) Max: 80 psi (Static)
Min. Flow Rate	24 GPM
Trap Diameter	1-7/8"
Trap Seal	2-3/8"
Rough-in	12" or 10"
Material	Vitreous China
Warranty	One Year Limited Warranty
Shipping Weight	58 lbs
Shipping Dimensions	26-1/2"L x 9-1/2" W1 x 16-1/4"W2 x 19-1/2"H

INSTALLATION NOTES

Spuds are unique for TOTO product. For replacement spuds, contact TOTO for part number THU073R.

Can be used with exposed or concealed top inlet flush valves.

DIMENSIONS



TOTO®

These dimensions and specifications are subject to change without notice