

PERFORM. BUILD.
AKER

AKER

Full-Strength Bathware Line

PRICE LIST USA

EFFECTIVE
DATE

AUGUST 1, 2017



AKER[®]
BY MAAX

Table of Contents

Built to perform.....	4
How to use this book	13

MULTI-PIECE UNITS

Reference Guide: Multi-Piece Units	20
--	----

GELCOAT TUB SHOWERS

KDTS 3260	142012	23
KDTS 3260 AFR	142013	23
KDTS 3060	142006	26
KDTS 3060 AFR	142007	26
KDTS 2954	142000	29
KDTS 2954 AFR	142001	29
KDS 3460	142042	32
KDS 3460 AFR	142043	32

GELCOAT SHOWERS

KDS 3060	142036	35
KDS 3060 AFR	142037	35
KDS 3448	142030	38
KDS 3448 AFR	142031	38
KDS 3636	142024	41
KDS 3636 AFR	142025	41
KDS 3232	142018	44
KDS 3232 AFR	142019	44
KD-NAS	141047	47

BATHTUBS

Reference Guide: Bathtubs	50
---------------------------------	----

RECTANGULAR BATHTUBS

SBHG-4272	141108	54
SB-3672	141105	56
SBF-3672	141092	58
GT-60	141083	60
GT-4860	141084	62
GT-4260	141082	64
GT-4260AP	141482	66
TO-4260	141354	68
TO-4260 AFR	141355	68
SB-3660	141101	71
SBA-3660	141080	73
SBF-3660	141089	76
TO-3660	141352	78
TO-3660 AFR	141353	78
TOF-3260	142014	81
TOF-3260 AFR	142015	81
TO-3260	141350	83
TO-3260 AFR	141351	83
SB-3260	141099	86
SBA-3260	141079	88
SBF-3260	141088	91
TOF-3060	142008	93
TOF-3060 AFR	142009	93
TO-3060	141078	95
TOF-2954	142002	98
TOF-2954 AFR	142003	98
TO-2954	141077	100

OVAL BATHTUBS

OV-4272	141114	103
SBOO-4272	141110	105
OV-4260	141112	107
OVA-4260	141081	109

OVF-4260	141095	111
----------------	--------	-----

CORNER BATHTUBS

GT-6060AP	141121	113
CT-6060	141118	115
CT2-6060	141120	117
CTF-6060	141096	119
CTF2-6060	141097	121

TUB SHOWERS

Reference Guide: One-piece Tub Showers	126
--	-----

GELCOAT TUB SHOWERS

SBW-3672	141006	127
GTW-4260	141007	129
GTWT-4260	141008	132
TS-3660	141227	134
SBW-3360	141002	137
TST-3360	105215	140
GB-60	141004	143
CM-60	141000	146
CMT-60	141185	149
TS-3060	141132	151

SHOWERS

Reference Guide: One-piece Showers	156
--	-----

GELCOAT ALCOVE SHOWERS

SHLS/RS-60	141036	158
S-60	141029	161
SHT-60	141032	163
SHLS/RS-48	141033	165
S-48	141027	168
NS-48	141026	170
SHRST/LST-48	141035	172
SHW-48	141135	174
S-42	141025	176
S-36	141022	178
S-36T	141186	181
S-32	141021	183

GELCOAT CORNER SHOWERS

SH-NA	141038	185
-------------	--------	-----

SHOWER BASES

Reference Guide: Shower Bases	190
-------------------------------------	-----

SHOWERS BASES

SP-3660	141074	192
SPS-3460	142044	194
SPS-3460 AFR	142045	194
SP-3260	141073	197
SPS-3060	142038	199
SPS-3060 AFR	142039	199
SP-3648	141072	202
SPS-3448	142032	204
SPS-3448 AFR	142033	204
SP-3448	141071	207
SP-3248	141070	209
SP-3442	141069	211
SPL-3950	141365	213
SPL-3636	142026	215

SPL-3636 AFR.....	142027.....	215
SPL-3232	142020.....	217
SPL-3232 AFR.....	142021.....	217

ACCESSIBILITY CODE COMPLIANT SERIES

Accessibility Code Compliant Series	220
Reference Guide: Code Compliant Series	223

CODE COMPLIANT TUB SHOWER UNIT

OPTS-6032.....	141309.....	224
----------------	-------------	-----

CODE COMPLIANT SHOWER UNITS

OPS-6036-RS.....	141336.....	228
OPS-6036.....	141294.....	232
OPS-6030-RS.....	141329.....	236
OPS-6030.....	141287.....	239
OPS-3636-RS.....	141321.....	243
OPS-3636.....	141271.....	248

GENERATION+ SERIES

Generation + Series.....	254
Reference Guide: Generation+ Series.....	257

GENERATION + TUB SHOWER UNITS

OPTS-6032G-2P	141302.....	258
---------------------	-------------	-----

GENERATION + SHOWER UNITS

OPS-6034G	141301.....	261
OPS-5634G	141286.....	264
OPS-4836G	141285.....	267
OPS-3636G	141284.....	270

SHOWER DOORS

Shower and Tub Shower Doors	276
Alcove-Recommended MAAX Shower Doors	288

TECHNICAL DRAWINGS

Code Compliant Drawings.....	292
Generation + Drawings	300

ACCESSORIES AND FOOTNOTES

List of Accessories.....	306
List of Accessories - Outlook Plus	308
Replacement Parts.....	311
List of Footnotes	312

GENERAL INFORMATION

Terms, Conditions and Warranties.....	316
---------------------------------------	-----

“My reputation is the quality of work I do
and my reliability to my customers.”



“My consumers are looking for
higher styles and designs.”

“Help make me different,
so consumers see me different.”

YOU DEMAND NOTHING BUT THE BEST.

SO DO WE.



Your credibility is on the line every day, at every installation. Ours is too.

We haven't earned the trust of the trade for more than 45 years by cutting corners. We specialize in building high-performance, long-lasting bathware that has a history of satisfying even the most demanding contractor, as well as their customers.

Getting it right the first time is just how we work, and it pays off for you — with reduced callbacks and efficient installations. Now as a part of MAAX, AKER is even better equipped to continue its heritage. Industry-leading manufacturing standards, a damage-free promise, and the **best customer service practices** in the industry — that's our **Full-Strength** approach, and it's the only way we do business. When our customers demand nothing but the best, so do we.



Made and supported in the USA.

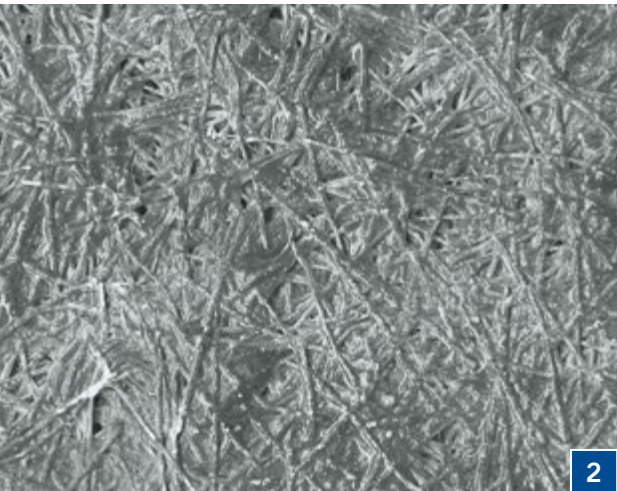
With state-of-the-art production plants in Indiana, Georgia and West Virginia, AKER by MAAX has proudly made its products in the USA since 1967. Our vast distribution network ensures the industry's fastest lead times, and our automated production and coating technology assures precise and consistent quality. Plus, our USA-based customer service is just one more way we fulfill our mission to offer the best support while making it **easy to do business with us.**



1

PERFORMANCE FROM EVERY ANGLE.

Top, bottom, front and back — you'll see how every part of **our bathware is engineered to last.**



2

1 More resin, less fillers, and a hands-on approach

We hand roll the fiberglass and resin laminate up to four times, and we don't skimp on the mix. You'll find no exposed fiberglass strands, uneven surfaces, air bubbles or cracks here. We'll continue to invest more in our mix. We know contractors and their customers will see the difference — today, and years from now.

2 Longer strands = greater strength

At the core of any fiberglass product is an individual strand. Our strands are **25% longer**. It's simple: The longer the strand, the greater the surface integrity; the greater the surface integrity, the greater the overall strength.



3

3 Tough from bottom up

We use **½"** of balsa wood, sandwiched between layers of reinforced fiberglass, **to stabilize our four-part "Anti-flex" construction.** Balsa wood is unique from other woods; it's extremely light but remarkably strong. The balsa wood is constructed to conform with the contours of the unit's base for maximum surface contact, ensuring superior base strength that eliminates floor fatigue and adds years of life to our products.

Did you know?

Balsa wood's toughness is relied on in a lighter-weight Hummer for the Army and for floor panels in a Corvette, making the floor 10 times stiffer than composites alone.

4 Reinforced side for a sturdier and safer shower

Sidewalls reinforced with fiberglass and wood ensure sturdier shower door and grab bar installation, meaning a **safer overall product.**

Note: Grab bars and reinforcements optional.



4

AKER PLUMBER FRIENDLY FEATURES.

AKER products are designed with **smooth installation** in mind and feature unique constructive details that make the **plumber's job easier and faster**.

Integrated tiling flange and integrated apron

Some AKER bathtubs are equipped with a leakproof integrated tiling flange that requires **less time to install, saves effort**, and makes a **better, longer-lasting seal**. The integrated apron is molded with the bathtub, adding ease of installation.

Above-the-Floor Rough (AFR)

AKER offers many products designed with enough space to pipe directly under the bathtub without having to relocate the existing drain. **Perfect for concrete slab installation in renovation or new construction.**

Anti-Flex Base System - FORGET WET-SETTING

AKER pre-leveled **Anti-Flex Base System** makes wet-setting a thing of the past and results in a **quicker and easier installation**. No need to fill the space between the floor and the base with concrete or any other materials, meaning you can save time and money on the job site.

1-piece or multi-piece units

Tub showers and showers are available as **1-piece or multi-piece** to fit easily through standard door openings. No more job site problems.

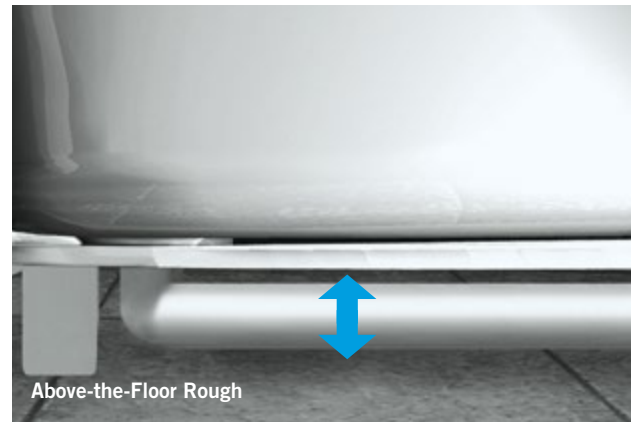
Shower doors

Shower doors **designed to fit** are available by MAAX. See the recommended doors listed on each product pages.

Plumber-friendly features

- Tiling flange on three sides of the bathtub
- Above-the-Floor Rough (AFR)
- Anti-Flex Base System
- Available with right or left-hand drain
- PIN system (KDS Series only)

Consult product sheet to see which features are available.



1-PIECE SHOWER

A SOLUTION FOR EVERY BATHROOM PROJECTS



MULTI-PIECE SHOWER



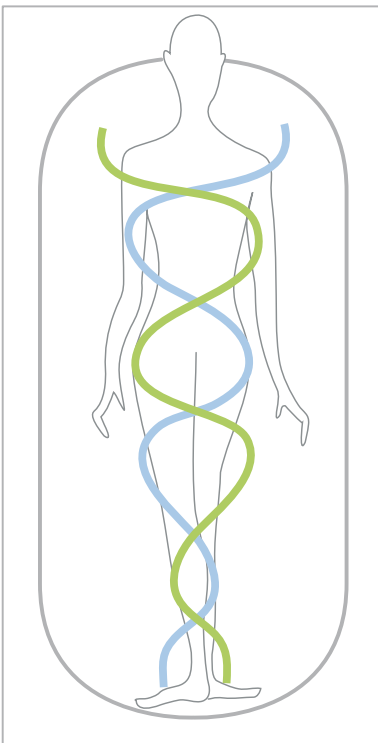
BODYWRAP

WHIRLPOOL SYSTEM

Swaddle yourself in comfort

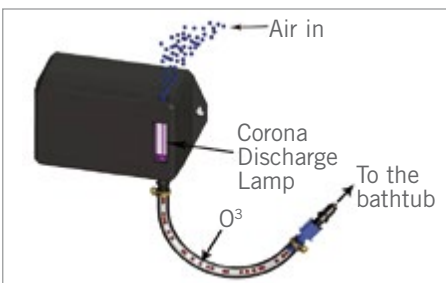
The AKER Bodywrap system's unique whirlpool action [provides the solace](#) people need most after another long day's stresses and strains.

Soft spirals of water corkscrew up and around the body from toe to torso, swaddling the bather with [amazing tension-relieving comfort](#). For those needing a more vigorous hydromassage, personalize the airflow and spray direction of up to a dozen whirlpool jets for a pulsating action that [re-energizes and alleviates sore](#) backs and aching feet.



Features

- 10 or 12 jets
- 2 foot/ankle massage jets
- 2 micro pulse lumbar jets
- 6 adjustable comfort-flo side jets
- Twin air controls
- Micro-switch on/off control with 20 minute electronic timer
- 1 hp pump



O₃ | Ozonator

Ozone is the Earth's natural way to [purify the air and water](#) from their toxins. Bringing these same natural purification benefits to the bath, AKER now offers the Ozonator for Whirlpool System in keeping with its promise to design innovative customer solutions. This technology [neutralizes unhealthy micro-organisms](#) like bacteria and mold, thus making your bathing experience [safe and fresh](#).



HOMESTEAD

WHIRLPOOL SYSTEM

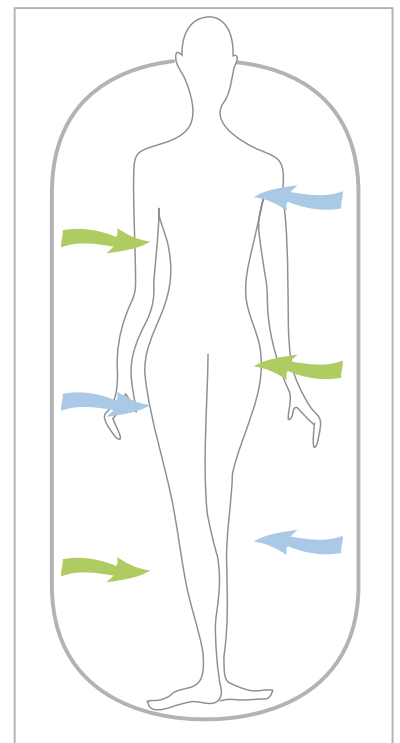
Hassle-free hydrotherapy

Enjoy the simple pleasures of life again with the AKER Homestead system, our original personal relaxation system for the bath.

Up to 8 fully independent jets can be adjusted directionally and for flow, giving bathers complete control of the intensity and location for a superior massage experience with the ultimate ease. Whether they want a gentle, reassuring caress or a deep, tension relieving rubdown, this is hydrotherapy without hassles.

Features

- 4, 6 or 8 adjustable jet system
- Pneumatic on/off controls
- 3/4 HP pump



AKER MATERIALS, MAXIMUM QUALITY.

It's easy to maintain and hard to damage. Our attractive finish takes time to achieve, but it's why it lasts a long time.

Higher quality materials and unmatched manufacturing excellence adds up to **beauty that lasts** — year after year.

How is it made?

GELCOAT

Gelcoat is a polyester coating applied directly to our molds and sealed with our fiberglass and resin mix - [producing lightweight, beautiful units.](#)

Our Gelcoat finish is reinforced with a superior laminating process that includes more resin, longer fiberglass and a sturdier balsa wood base.

What are the benefits?

GELCOAT

Gelcoat, although thinner than acrylic, is lighter than acrylic and [allows for flexibility](#) to adjust to uneven walls during renovation projects.

Gelcoat is [easier to clean](#) than ABS or Polypropylene materials.

AKER has the [glossiest gelcoat in the industry](#) because we insist on better quality materials and polishing.

While scratches can reveal the fiberglass under the gelcoat, they can be [easily repaired](#) by a professional.

GELCOAT



AKER FULL-STRENGTH APPROACH.

AKER customers are **our partners in success**. We've developed service and support programs to facilitate and enhance this business relationship, saving your time and money and helping you grow with us. **AKER helps you enter new market niches, up-sell, increase your profit margins and enhance your business reputation.**



AKER has an extensive distribution network throughout the Eastern United States ready to show you our products and answers your questions so you get the products best suited to your project.

AKER tips

- ✓ AKER Sales Representatives are available for wholesaler's plumbers presentations and training. [Make the most out of the line.](#)

AKER ships

- ✓ Consistent, reliable delivery.
[No more costly delays or rescheduling.](#)

AKER assists

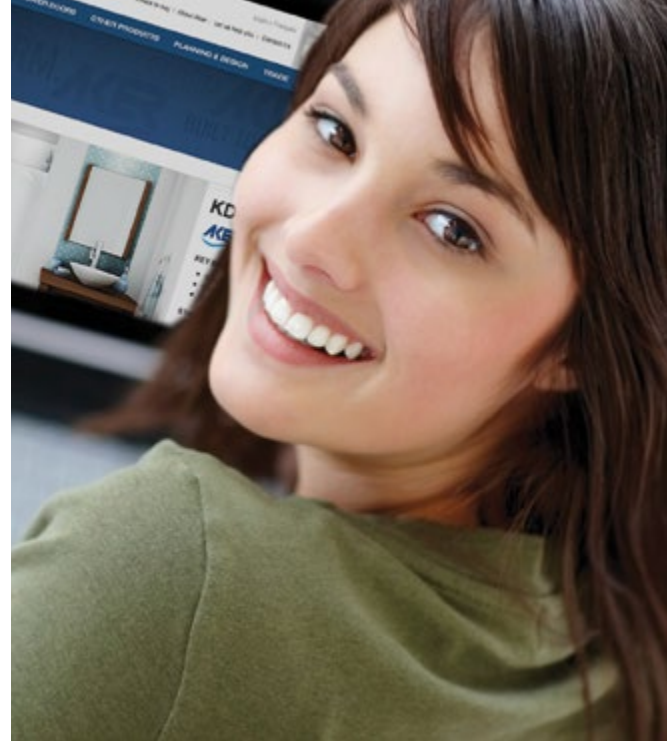
- ✓ Problem-solving by phone, fax, e-mail, or in person on site. Quick solutions so you can stay on schedule. [Call your local AKER representative.](#)

Easy one-stop shopping

- ✓ From a full line of products that will simplify and [speed up your work.](#)

Quality sales support material

- ✓ [Attractive and functional sales and marketing support material.](#) Full line catalog, consumer brochure, product and builder specs available at www.AKERbymaax.com



Certification

All AKER products are truly tested and meet all certification requirements. However, it is the responsibility of the plumber to ensure that local requirements are respected.

AKER products adhere to one or more of the following certifications.



Warranty

AKER stands behind its products with industry-leading warranties against structural, surface and cosmetic defects. [Gelcoat units are covered for 5 years.](#)

Certification

All AKER Outlook *plus* code compliant models are truly tested and meet major accessibility building codes when fully equipped and installed according to guidelines.

Code compliance: ANSI-ICC A117.1, ADA Standards for Accessible Design, 521 CMR (Massachusetts), FHA, CSA B45.5-11 / IAPMO Z124-2011, HUD UM 73a, ASTM F-462.

For full warranty details, please refer to warranty section at the end of the book.

AKER'S CUSTOMIZED OPTIONS.

Personalize any AKER bathware so it best suits your sense of style and desired **showering and bathing experience** by choosing among our **selection of options** that can be ordered separately.

Bathtubs



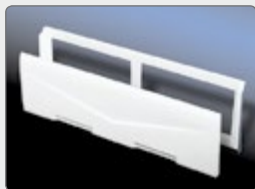
In-line water heater

Stay warm a little longer with AKER in-line heater.



Removable or non-removable apron

Offered on specific bathtubs allowing two different configurations : Drop-in or alcove installation.



Access panel

For easy access to your bathtub whirlpool system.
Facilitate maintenance.



Above-the-Floor Rough (AFR)

Products designed with enough space to pipe directly under the bathtub without having to relocate the existing drain.

Tub showers & showers



Handle

Metallic finish handle to match bathroom accessories.



Grab bars

Vertical and horizontal grab bars are available on multiple AKER units. Select the color that suits your style and specific needs.



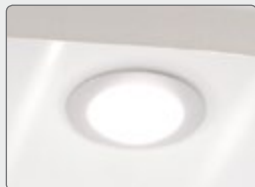
Shelf rail

Added shelf space to hold bottles of varied size.



Wall reinforcement

Allow for the installation of additional grab bars, if needed, and a safer shower door installation.



Roofcap and light

Roofcaps allow easier wall finishing while the custom built light helps to shed a little extra light on the area inside your shower stall.



Above-the-Floor Rough (AFR)

Products designed with enough space to pipe directly under the bathtub without having to relocate the existing drain.

Note: Refer to OUTLOOK Plus section for code compliant and **GENERATION +** Series options & accessories.

HOW TO USE THIS BOOK.

The AKER price list is here to help you **understand our products** and **easily order them**. We are dedicated to providing you with the **best tools possible**. Inside, you will find information on models, systems, pricing, reference guides, warranties and handy customer service forms. In order to help you navigate through the price list, follow these guidelines on how to use this book to its full potential. Do not hesitate to contact your AKER Sales Representative or Customer Service agent if you have any questions.

PRODUCT CLASSIFICATION

Multi-piece units

Ideal for remodeling projects, all multi-piece units are listed into one section at the beginning of the price book, for easy search. Tub showers and showers are sorted by **size** (largest to smallest).

Bathtubs, tub showers, showers and shower bases

Products are listed by **category** first (in order: bathtubs, tub showers, showers and shower bases); then sorted by **size** (largest to smallest).

Outlook plus Products Accessibility Code Compliant Series

All AKER **code compliant models** meet major accessibility building codes and come in industry-standard dimensions. Our instinctive ordering codes allow you to choose from a base model, a partial or a fully compliant package. Tub shower and shower units are listed by size (largest to smallest). Select the model, the size, the skirt height and the configuration package that correspond to your project need.

Outlook plus Generation+ Series

Generation+ models offer versatility in grab-bar and seat placement now or in the future. AKER's vast selection of grab bars, seats and accessories allows graceful adaptation through the years. Tub shower and shower units are listed by size (largest to smallest). Each product listed has a base model to which you can add the different options and accessories available to customize the unit as required.



HOW TO USE THIS BOOK.

Dimensions

The dimensions in the summary tables are approximate. For exact dimensions, please see the pricing table or the technical drawing. Dimensions listed at the top of each product page are external or finished, non AFR dimensions.

For Outlook plus products, the dimensions listed in the reference guide are approximate (dimensions listed in Reference guide are interior). For exact interior and exterior dimensions, please see the pricing table or technical drawings. Dimensions listed at the top of each product page are exact interior dimensions.

To download specifications, go to the product page at www.AKERbymaax.com

Outlook Plus Technical Drawings

Each product page shows the technical drawing of the base model unit. To access the technical drawings of any other Outlook plus configuration available (partial or fully compliant or showing the different options), please consult the technical drawing section at the end of this price book.

Configurations

• Pump location on central drains

On a bathtub with a central drain, the pump or blower is located on the right or left hand side. To locate the pump or blower on opposite side, select OPT 10174.

• Integrated tiling flange

Many bathtubs offer the choice between a drop-in or alcove installation. If you require an alcove tub with tiling flange, specify right or left drain for proper configuration of the tiling flange.

System icons

Look for these icons on product pages.

Bodywrap  Homestead 



HOW TO USE THIS BOOK.

Footnotes

When you see a number in superscript above a description or model, look to the [footnote list at the end of the price book](#) for that number and an important note. Often these notes are essential to specify on your purchase order.

Resources

• System pages

Ever wonder what the benefits of hydrotherapy are? Look at the pages at the beginning of the book for system details.

• Pictorial quick reference guides

If you are looking for a particular product in various sizes, this is [the tool for you](#). At the beginning of each product category section is a pictorial quick reference guide organized by product family.

• Accessories

At the end of the price book is a list of accessories offering a [quick reference](#) when looking for an accessory ordering code.

• Warranty

For any questions regarding AKER warranties, refer to the end of the book to see all detailed warranty information.

• Options vs Accessories

AKERw options and accessories are designed to be ordered as you need them. Most options are factory-installed on the unit; whereas accessories are sold separately and therefore can be ordered after the product is installed. Selected items are available as accessories and options so you can order the one that best suits your needs.

• Image discrepancies

Please note that the actual products may vary slightly in design or in colors from what is shown on images, on your monitor and on printed examples.

• Door Pages

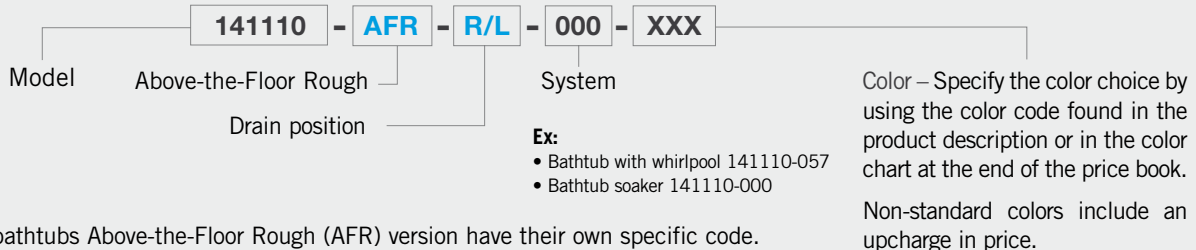
Refer to the door section at the end of the book for more information on MAAX doors. Complete sku listing and prices are available in the MAAX Professional Price List. A digital version of this price list is available on the MAAX Partner Portal at the link below:

www.maax.com/partnerportal

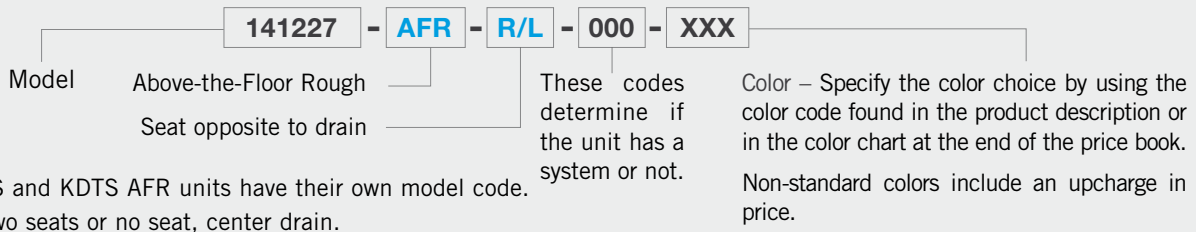


PRICE LIST CODES: WHAT DO THEY MEAN?

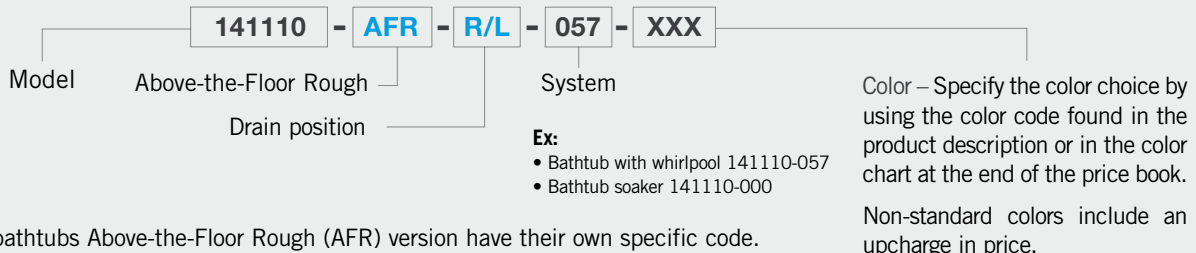
Tub showers



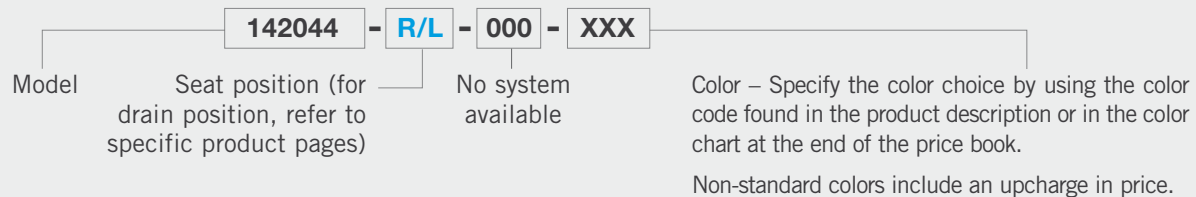
Showers



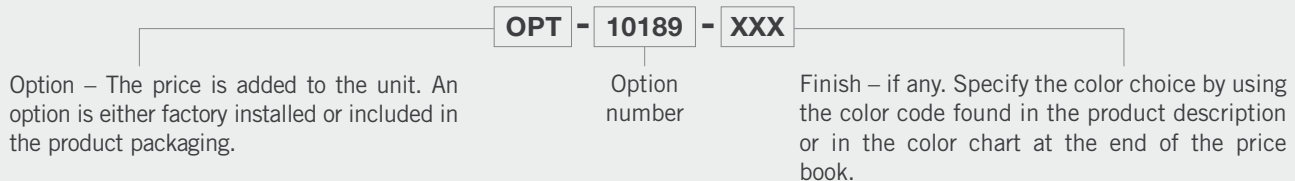
Bathtubs



Shower bases




Options, accessories and replacement parts



PRICE LIST CODES: WHAT DO THEY MEAN?

Outlook plus CODE COMPLIANT SERIES

Tub shower


 Model **141309** - **R/L** - **000** - **XXX**

Drain position No system available

Color – Specify the color choice by using the color code found in the product description or in the color chart at the end of the price book.

Non-standard colors include an upcharge in price.

Showers

 Model **141337** - **R/L** - **000** - **XXX**


Grab bar positioning (when applicable, seat will be installed on opposite side) No system available

Color – Specify the color choice by using the color code found in the product description or in the color chart at the end of the price book.

Non-standard colors include an upcharge in price.

Outlook plus GENERATION+ SERIES

Tub shower


 Model **141302** - **R/L** - **000** - **XXX**

Drain position No system available

Color – Specify the color choice by using the color code found in the product description or in the color chart at the end of the price book.

Non-standard colors include an upcharge in price.

Showers

 Model **141284** - **R/L** - **000** - **XXX**

Shelf position - Center Drain No system available

Color – Specify the color choice by using the color code found in the product description or in the color chart at the end of the price book.

Non-standard colors include an upcharge in price.

Grab Bar Options

Grab bar option **OPT 20204** - **V/H/B** - **VR/VL-HR/HL** or **BR/BL** - **XXX**

Available vertically, horizontally or on the back wall (Grab bar position on the back wall is always horizontal) Right or left wall positioning

Right or left-end upper section of **curves grab bars** or pivot direction of pivot grab bars - Back wall positioning

Color – Specify the color choice by using the color code found in the product description or in the color chart at the end of the price book.


Non-standard colors include an upcharge in price.

Seat Options

Seat option **OPT 20041** - **R/L** - **XXX**

Right or left side wall seat positioning

Color – Specify the color choice by using the color code found in the product description or in the color chart at the end of the price book. Non-standard colors include an upcharge in price.



The Real Truth About Balsa

For over 65 years, Balsa, which is classified as a hard wood, has been used to build performance cars, boats, trains, commercial aircraft, wind turbine blades, surfboards, highway bridges, military equipment and more because it provides superior strength while being lightweight.

Balsa Wood: Environmentally Friendly and Thriving!

Close to ZERO Carbon Footprint!

- Renewable and sustainable material: Balsa does not come from the rainforest
- Grows fast, with no fertilizer, just like bamboo
- Extremely light & **remarkably strong**
- Used in building & construction for its **anti-flammable rating**
- AKER's Balsa complies **100% with ISO 14001 environmental certification**

BALSA WOOD

Nothing but
the best

A multi-piece white tub and shower unit is the central focus, set against a wall of white subway tiles. The unit includes a showerhead, a faucet, and a built-in shelf. To the right, a white pedestal sink with a round mirror above it is visible against a green wall. A dark brown rug is on the floor, which has a black and white diamond pattern. A dark brown trash can is also present. The ceiling has recessed lighting.

Multi-Piece Units

KDTS 3260 MULTI-PIECE TUB SHOWER

Reference Guide: Multi-Piece Units

GELCOAT TUB SHOWERS

KDTS 3260	p. 23	KDTS 3060	p. 26	KDTS 2954	p. 29
	60 x 32 x 79		60 x 30 x 78		54 x 29 x 78
ALCOVE - 4P		ALCOVE - 4P		ALCOVE - 4P	

GELCOAT SHOWERS

KDS 3460	p. 32	KDS 3060	p. 35	KDS 3448	p. 38
	60 x 34 x 80		60 x 30 x 80		48 x 34 x 80
ALCOVE - 4P		ALCOVE - 4P		ALCOVE - 4P	
KDS 3636	p. 41	KDS 3232	p. 44	KD-NAS	p. 47
	36 x 36 x 76		32 x 32 x 76		38 x 38 x 77
ALCOVE - 4P		ALCOVE - 4P		CORNER - 2P	

SYSTEMS	
	HOMESTEAD WHIRLPOOL p. 9

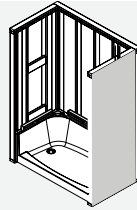
KDS SERIES

FULL LINE OF KNOCK DOWN SHOWERS & TUB SHOWERS

Thanks to our **EASY STEPS** installation, you're saving time and money with AKER.

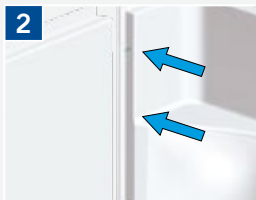
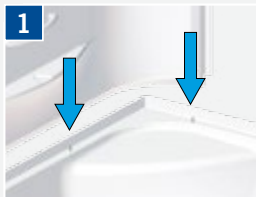
STEP-1

Level and install the shower base or the bathtub in the alcove.



STEP-2

Apply silicone and install the walls using the PIN system to guide them in place. (Install the back wall and slide the side walls in).



STEP-3

Secure the wall parts to the studs (shim if necessary).



- ✓ Get it right the 1st time: **Perfect alignment of pins and holes for easier and stronger installation.**
- ✓ **No wet-set “Anti-Flex” base system, providing superior strength and durability:** no need to fill the space between the floor and the base with concrete or any other material eliminates wet-setting.
- ✓ Straight front apron **for easy tile installation.**
- ✓ **Above-the-Floor Rough option** designed with enough space to pipe directly under the unit without relocating the drain.
- ✓ All side walls reinforced with fiberglass and wood **to ensure sturdier door installation.**
- ✓ AKER's tile adaptor provides **a hard edge to tile for a clean, finished look** (for base only to be installed with tile) and for ease of shower door installation.

[A COMPLETE SERIES OF PRODUCTS THAT ALWAYS WORK]

3 REASONS TO BUY A KDS SHOWERS & TUB SHOWERS

1 Easy to install

- Easy 1-person front installation
- Hassle-free patented PIN system
- Packaged in 3 boxes
- Above-the-Floor Rough
No need to relocate the existing drain

2 Modern and functional

- Ample storage space
- One-piece look
- Easy to clean anti-slip surface
- Improved low threshold shower bases
- Optional grab bars & wall reinforcement

3 Versatile

- All components can be ordered separately
- Mix and match walls and bases
- Right, left or no seat available
- Base only available for tile application



Continuous improvement

All KDS or KDTS models can be ordered as a full unit or sectionally for increased inventory flexibility.

New grab bars

Modern and stylish AKER grab bars are available with all KDS/KDTS units. Select the color that suits your style and specific needs: white, chrome or brushed nickel.

- 18" or 24" horizontal and vertical grab bars available



KDTS 3260

59 7/8" x 32" x 79 1/4" - Gelcoat

Water Capacity: Min: 30.6 gal. Max: 38.6 gal.



- Four-piece gelcoated fiberglass tub-shower with PIN system for easy front installation
- Large top corner shelves, wide soap dish and standard acrylic handle (opt. metallic finishes)
- Bottom bathing well: 44 1/8 inch L x 21 5/8 inch W
- Optional unique features: Reinforced walls and grab bars
- Product also available in Above-the-Floor Rough (AFR)
- Right or left-hand drain



GELCOAT TUB SHOWERS

TUB SHOWER MODEL

No	Model	Dimensions	Pkg	Approx. weight	Std Color(s)	Non-std Color(s)
142012-000-XXX	4-piece tub shower ¹ 142012-R-000-XXX Right-hand drain 142012-L-000-XXX Left-hand drain Specify: Standard colors: White (002), Bone (004), Biscuit (007) Non-standard colors: Refer to color chart in this book.	59 7/8 x 32 x 79 1/4 in. Door opening: 56 1/2 X 63 1/8	105 ft ³	152 lb	\$ 1,052	\$ 1,152
142016-000-XXX	Tub only with pin system ¹ 142016-R-000-XXX Right-hand drain 142016-L-000-XXX Left-hand drain	59 3/4 x 32 x 19 1/8 in.	28 ft ³	52 lb	\$ 626	\$ 676
142051-000-XXX	Side walls (right and left) for KDTS 3260	21 7/8 x 1 1/2 x 60 in.	3.4 ft ³	40 lb	\$ 214	\$ 239
142061-000-XXX	Back wall for KDTS 3060, KDTS 3260, KDS 3060 and KDS 3460	59 7/8 x 10 1/8 x 60 in.	29 ft ³	60 lb	\$ 214	\$ 239

AFR TUB SHOWER MODEL

No	Model	Dimensions	Pkg	Approx. weight	Std Color(s)	Non-std Color(s)
142013-000-XXX	4-piece tub shower AFR ¹ 142013-R-000-XXX Above-the-Floor Rough, right-hand drain 142013-L-000-XXX Above-the-Floor Rough, left-hand drain Specify: Standard colors: White (002), Bone (004), Biscuit (007) Non-standard colors: Refer to color chart in this book.	59 3/4 x 32 x 81 3/4 in. Door opening: 56 1/2 X 63 1/8	105 ft ³	152 lb	\$ 1,052	\$ 1,152
142017-000-XXX	Tub only with AFR with pin system ¹ 142017-R-000-XXX Above-the-Floor Rough, Right-hand drain 142017-L-000-XXX Above-the-Floor Rough, Left-hand drain	59 3/4 x 32 x 21 1/2 in.	28 ft ³	52 lb	\$ 626	\$ 676
142051-000-XXX	Side walls (right and left) for KDTS 3260	21 7/8 x 1 1/2 x 60 in.	3.4 ft ³	40 lb	\$ 214	\$ 239
142061-000-XXX	Back wall for KDTS 3060, KDTS 3260, KDS 3060 and KDS 3460	59 7/8 x 10 1/8 x 60 in.	29 ft ³	60 lb	\$ 214	\$ 239

KDTS 3260 (cont'd)

WHIRLPOOL SYSTEM

No	Model	Approx. weight	List Price
XXXXXX-058	Homestead whirlpool system with air switch ² (available only on standard color units)	35 lb	Add \$ 941

GENERATION + OPTIONS

No	Model	Approx. weight	List Price
OPT 20203-V-XXX	18 in. Modern straight grab bar (factory installed) ⁶ OPT 20203-VR-XXX Vertical grab bar on right wall OPT 20203-VL-XXX Vertical grab bar on left wall Available colors: White (002), Chrome (084) and Brushed Nickel (105)	N/A	Add \$ 162
OPT 20203-B-XXX	18 in. Modern straight grab bar ⁶ OPT 20203-HB-XXX Horizontal grab bar on back wall Available colors: White (002), Chrome (084) and Brushed Nickel (105)	N/A	Add \$ 162
OPT 20204-V-XXX	24 in. Modern straight grab bar (factory installed) ⁶ OPT 20204-VR-XXX Vertical grab bar on right wall OPT 20204-VL-XXX Vertical grab bar on left wall Available colors: White (002), Chrome (084) and Brushed Nickel (105)	N/A	Add \$ 174
OPT 20204-B-XXX	24 in. Modern straight grab bar (factory installed) ⁶ OPT 20204-HB-XXX Vertical grab bar on back wall Available colors: White (002), Chrome (084) and Brushed Nickel (105)	N/A	Add \$ 174
OPT 20212-X	Wall reinforcement (one wall) for future grab bar installation ⁹ OPT 20212-R Reinforcement on right wall OPT 20212-L Reinforcement on left wall OPT 20212-B Reinforcement on back wall	N/A	Add \$ 68

COMMON OPTIONS

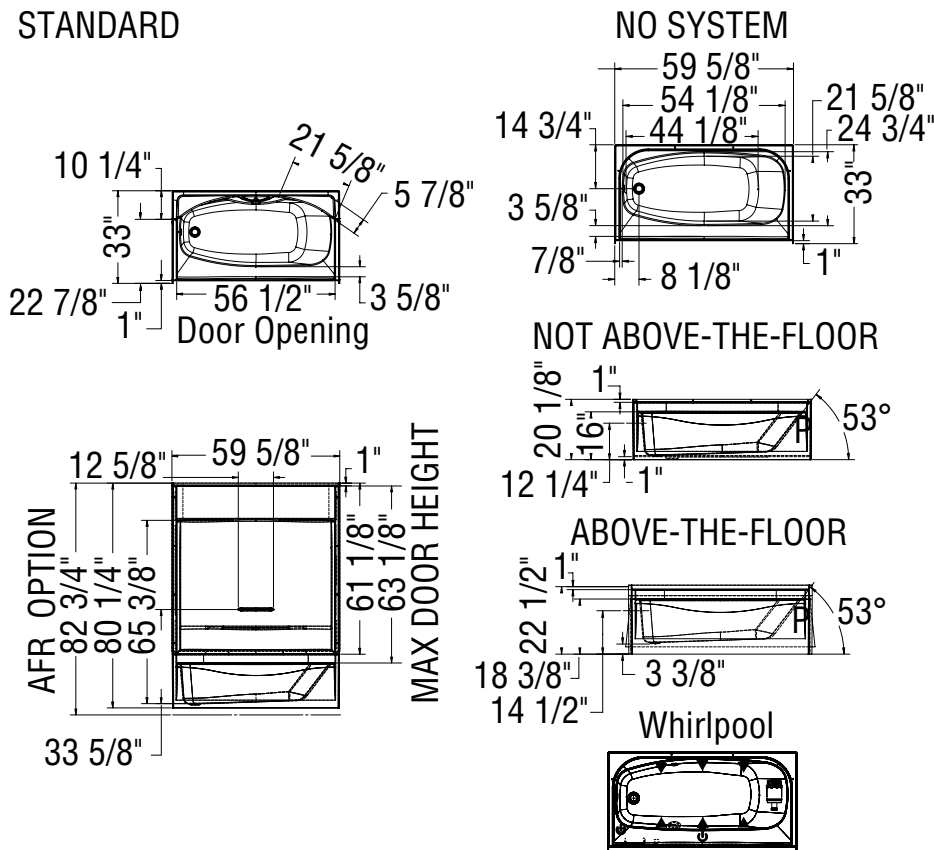
No	Model	Approx. weight	List Price
OPT 10109-XXX	Metallic finish handle replacing Acrylic handle Available colors: Chrome (084) and Brushed Nickel (105)	N/A	Add \$ 158
OPT 10172	In-line heater (factory-installed)	N/A	Add \$ 439
OPT 10174	Pump position opposite standard position ⁴	N/A	Add \$ 71
OPT 20200	Pre-assembled unit	N/A	Add \$ 53

DOORS RECOMMENDED WITH KDTS 3260

No	Description	Page
139398	Halo sliding tub door 56 1/2-59 x 59 in. 8 mm	p. 279
136270	Duel frameless sliding door 56-59 x 55 1/2 in. 8 mm	p. 277
138994	Luminescence frameless sliding door 56 1/2-59 x 55 1/2 in. 6 mm	p. 281
105410	Polar 2-panel 54-59 1/2 x 57 3/8 in.	p. 286
105409	Mika 2-panel 54 - 59 1/2 x 55 in.	p. 285
134561	Kameleon semi-frameless sliding door 55-59 x 57 in. 6 mm	p. 280
134661	Kameleon SC semi-frameless sliding door 55-59 x 57 in. 6 mm	p. 280
134573	Kameleon semi-frameless sliding door 55-59 x 57 in. 8 mm	p. 280
134670	Kameleon SC semi-frameless sliding door 55-59 x 57 in. 8 mm	p. 280
136302	Decor Plus 2-panel 56 3/4 x 56 in.	p. 285
137500	Edge Tub 30 x 55 1/2 in., 6 mm	p. 278
137501	Edge Square Tub 34 x 58 in., 8 mm	p. 278
137502	Edge Duo Tub 42 x 58 in., 8 mm	p. 278

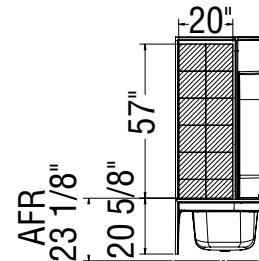
KDTS 3260 (cont'd)

STANDARD

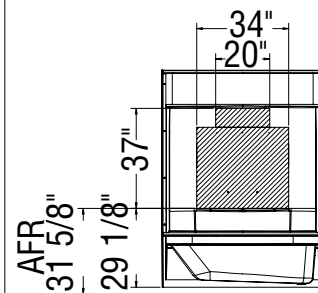


REINFORCEMENT BACKING

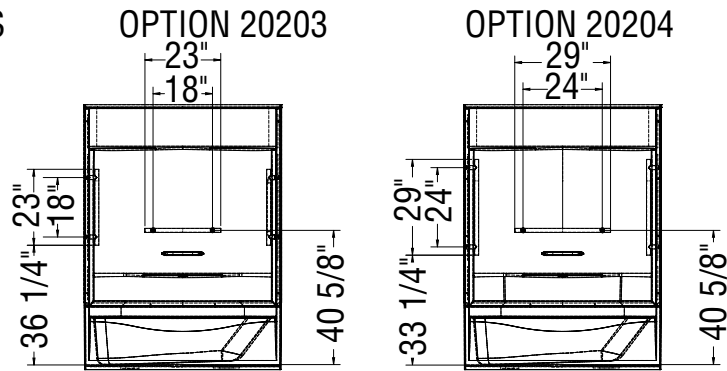
OPTION 20212-L Shown
OPTION 20212-R Symetrical



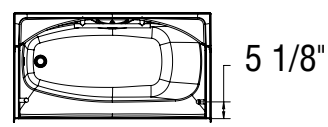
OPTION 20212-B



GRAB BARS

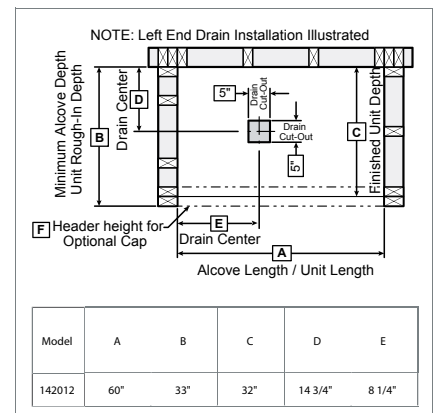


OPTION 20203-20204



(▲): Indicates Whirlpool jets positioning
(△): Indicates suction positioning

All dimensions are approximate. Structure measurements must be verified against the unit to ensure proper fit.



KDTS 3060

59 7/8" x 30 1/8" x 77 1/2" - Gelcoat

Water Capacity: Min: 22.7 gal. Max: 37.2 gal.



- Four-piece gelcoated fiberglass tub-shower with PIN system for easy front installation
- Large top corner shelves, wide soap dish and standard acrylic handle (opt. metallic finishes)
- Bottom bathing well: 44 1/8 inch L x 20 inch W
- Optional unique features: Reinforced walls and grab bars
- Product also available in Above-the-Floor Rough (AFR)
- Right or left-hand drain



TUB SHOWER MODEL

No	Model	Dimensions	Pkg	Approx. weight	Std Color(s)	Non-std Color(s)
142006-000-XXX	4-piece tub shower ¹ 142006-R-000-XXX Right-hand drain 142006-L-000-XXX Left-hand drain Specify: Standard colors: White (002), Bone (004), Biscuit (007) Non-standard colors: Refer to color chart in this book.	59 7/8 x 30 1/8 x 77 1/2 in. Door opening: 56 1/2 X 61 5/8	99 ft ³	152 lb	\$ 1,002	\$ 1,102
142010-000-XXX	Tub only with pin system ¹ 142010-R-000-XXX Right-hand drain 142010-L-000-XXX Left-hand drain	59 3/4 x 29 7/8 x 17 1/2 in.	28 ft ³	52 lb	\$ 556	\$ 606
142048-000-XXX	Side walls (right and left) for KDTS 2954, KDTS 3060 and KDS 3060	19 7/8 x 1 1/2 x 60 in.	3.2 ft ³	40 lb	\$ 236	\$ 261
142061-000-XXX	Back wall for KDTS 3060, KDTS 3260, KDS 3060 and KDS 3460	59 7/8 x 10 1/8 x 60 in.	29 ft ³	60 lb	\$ 214	\$ 239

AFR TUB SHOWER MODEL

No	Model	Dimensions	Pkg	Approx. weight	Std Color(s)	Non-std Color(s)
142007-000-XXX	4-piece tub shower AFR ¹ 142007-R-000-XXX Above-the-Floor Rough, right-hand drain 142007-L-000-XXX Above-the-Floor Rough, left-hand drain Specify: Standard colors: White (002), Bone (004), Biscuit (007) Non-standard colors: Refer to color chart in this book.	59 7/8 x 30 1/8 x 79 5/8 in. Door opening: 56 1/2 X 61 5/8	99 ft ³	152 lb	\$ 1,002	\$ 1,102
142011-000-XXX	Tub only with AFR with pin system ¹ 142011-R-000-XXX Above-the-Floor Rough, Right-hand drain 142011-L-000-XXX Above-the-Floor Rough, Left-hand drain	59 3/4 x 29 7/8 x 19 7/8 in.	28 ft ³	52 lb	\$ 556	\$ 606
142048-000-XXX	Side walls (right and left) for KDTS 2954, KDTS 3060 and KDS 3060	19 7/8 x 1 1/2 x 60 in.	3.2 ft ³	40 lb	\$ 236	\$ 261
142061-000-XXX	Back wall for KDTS 3060, KDTS 3260, KDS 3060 and KDS 3460	59 7/8 x 10 1/8 x 60 in.	29 ft ³	60 lb	\$ 214	\$ 239

KDTS 3060 (cont'd)

WHIRLPOOL SYSTEM

No	Model	Approx. weight	List Price
XXXXXX-058	Homestead whirlpool system with air switch ² (available only on standard color units)	35 lb	Add \$ 941

GENERATION + OPTIONS

No	Model	Approx. weight	List Price
OPT 20203-V-XXX	18 in. Modern straight grab bar (factory installed) ⁶ OPT 20203-VR-XXX Vertical grab bar on right wall OPT 20203-VL-XXX Vertical grab bar on left wall Available colors: White (002), Chrome (084) and Brushed Nickel (105)	N/A	Add \$ 162
OPT 20203-B-XXX	18 in. Modern straight grab bar ⁶ OPT 20203-HB-XXX Horizontal grab bar on back wall Available colors: White (002), Chrome (084) and Brushed Nickel (105)	N/A	Add \$ 162
OPT 20204-V-XXX	24 in. Modern straight grab bar (factory installed) ⁶ OPT 20204-VR-XXX Vertical grab bar on right wall OPT 20204-VL-XXX Vertical grab bar on left wall Available colors: White (002), Chrome (084) and Brushed Nickel (105)	N/A	Add \$ 174
OPT 20204-B-XXX	24 in. Modern straight grab bar (factory installed) ⁶ OPT 20204-HB-XXX Vertical grab bar on back wall Available colors: White (002), Chrome (084) and Brushed Nickel (105)	N/A	Add \$ 174
OPT 20212-X	Wall reinforcement (one wall) for future grab bar installation ⁹ OPT 20212-R Reinforcement on right wall OPT 20212-L Reinforcement on left wall OPT 20212-B Reinforcement on back wall	N/A	Add \$ 68

COMMON OPTIONS

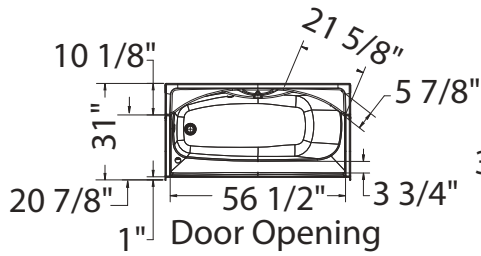
No	Model	Approx. weight	List Price
OPT 10109-XXX	Metallic finish handle replacing Acrylic handle Available colors: Chrome (084) and Brushed Nickel (105)	N/A	Add \$ 158
OPT 10172	In-line heater (factory-installed)	N/A	Add \$ 439
OPT 10174	Pump position opposite standard position ⁴	N/A	Add \$ 71
OPT 20200	Pre-assembled unit	N/A	Add \$ 53

DOORS RECOMMENDED WITH KDTS 3060

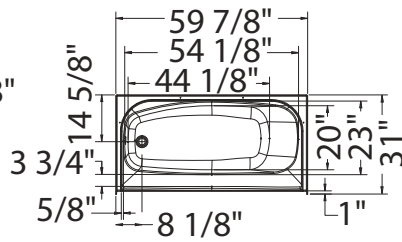
No	Description	Page
139398	Halo sliding tub door 56 1/2-59 x 59 in. 8 mm	p. 279
136270	Duel frameless sliding door 56-59 x 55 1/2 in. 8 mm	p. 277
138994	Luminescence frameless sliding door 56 1/2-59 x 55 1/2 in. 6 mm	p. 281
134561	Kameleon semi-frameless sliding door 55-59 x 57 in. 6 mm	p. 280
134661	Kameleon SC semi-frameless sliding door 55-59 x 57 in. 6 mm	p. 280
134573	Kameleon semi-frameless sliding door 55-59 x 57 in. 8 mm	p. 280
134670	Kameleon SC semi-frameless sliding door 55-59 x 57 in. 8 mm	p. 280
105410	Polar 2-panel 54-59 1/2 x 57 3/8 in.	p. 286
136302	Decor Plus 2-panel 56 3/4 x 56 in.	p. 285
105409	Mika 2-panel 54 - 59 1/2 x 55 in.	p. 285
137500	Edge Tub 30 x 55 1/2 in., 6 mm	p. 278
137501	Edge Square Tub 34 x 58 in., 8 mm	p. 278
137502	Edge Duo Tub 42 x 58 in., 8 mm	p. 278

KDTS 3060 (cont'd)

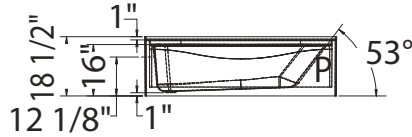
STANDARD



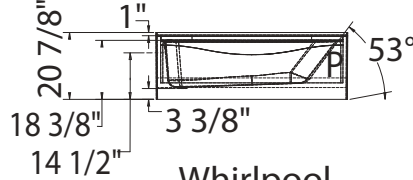
NO SYSTEM



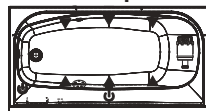
NOT ABOVE-THE-FLOOR



ABOVE-THE-FLOOR

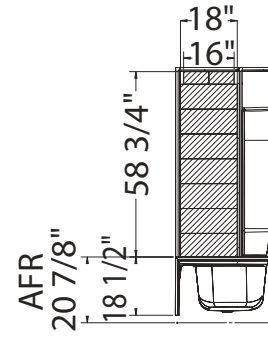


Whirlpool

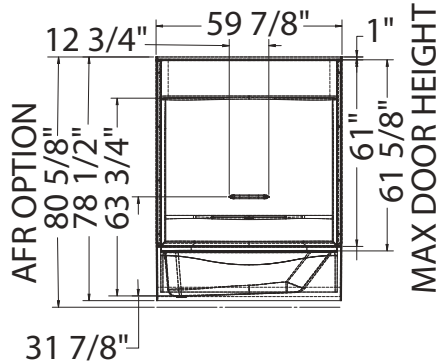
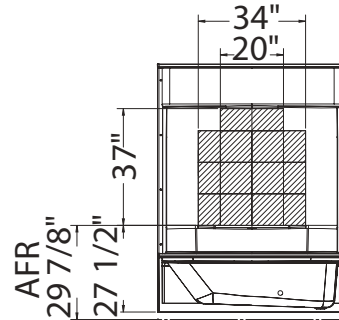


REINFORCEMENT BACKING

OPTION 20212-L Shown
OPTION 20212-R Symetrical

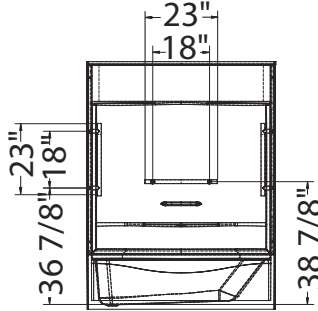


OPTION 20212-B

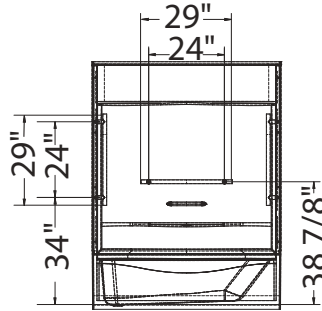


GRAB BARS

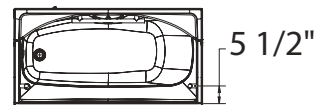
OPTION 20203



OPTION 20204

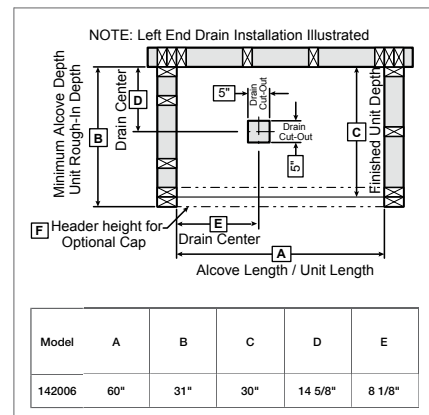


OPTION 20203-20204



- (▲): Indicates Whirlpool jets positioning
- (△): Indicates suction positioning

All dimensions are approximate. Structure measurements must be verified against the unit to ensure proper fit.



KDTS 2954

53 7/8" x 29" x 77 1/2" - Gelcoat

Water Capacity: Max: 32.5 gal.

- Four-piece gelcoated fiberglass tub-shower with PIN system for easy front installation
- Large top corner shelves, wide soap dish and standard acrylic handle (opt. metallic finishes)
- Bottom bathing well: 37 7/8 inch L x 19 3/8 inch W
- Optional unique features: Reinforced walls and grab bars
- Product also available in Above-the-Floor Rough (AFR)
- Right or left-hand drain



GELCOAT TUB SHOWERS

TUB SHOWER MODEL

No	Model	Dimensions	Pkg	Approx. weight	Std Color(s)	Non-std Color(s)
142000-000-XXX	4-piece tub shower ¹ 142000-R-000 Right-hand drain 142000-L-000 Left-hand drain Specify: Standard colors: White (002), Bone (004), Biscuit (007) Non-standard colors: Refer to color chart in this book.	53 7/8 x 29 x 77 1/2 in. Door opening: 50 1/2 X 61 1/2	81 ft ³	144 lb	\$ 943	\$ 1,043
142004-000-XXX	Tub only with pin system ¹ 142004-R-000-XXX Right-hand drain 142004-L-000-XXX Left-hand drain	53 7/8 x 29 x 17 1/2 in.	28 ft ³	47 lb	\$ 513	\$ 563
142048-000-XXX	Side walls (right and left) for KDTS 2954, KDTS 3060 and KDS 3060	19 7/8 x 1 1/2 x 60 in.	3.2 ft ³	40 lb	\$ 236	\$ 261
142060-000-XXX	Back wall for KDTS 2954	53 7/8 x 9 1/8 x 60 in.	29 ft ³	57 lb	\$ 195	\$ 220

AFR TUB SHOWER MODEL

No	Model	Dimensions	Pkg	Approx. weight	Std Color(s)	Non-std Color(s)
142001-000-XXX	4-piece tub shower AFR ¹ 142001-R-000-XXX Above-the-Floor Rough, right-hand drain 142001-L-000-XXX Above-the-Floor Rough, left-hand drain Specify: Standard colors: White (002), Bone (004), Biscuit (007) Non-standard colors: Refer to color chart in this book.	53 7/8 x 29 x 79 7/8 in. Door opening: 50 1/2 X 61 1/2	81 ft ³	144 lb	\$ 943	\$ 1,043
142005-000-XXX	Tub only with AFR with pin system ¹ 142005-R-000-XXX Above-the-Floor Rough, Right-hand drain 142005-L-000-XXX Above-the-Floor Rough, Left-hand drain	53 7/8 x 29 x 19 7/8 in.	28 ft ³	47 lb	\$ 513	\$ 563
142048-000-XXX	Side walls (right and left) for KDTS 2954, KDTS 3060 and KDS 3060	19 7/8 x 1 1/2 x 60 in.	3.2 ft ³	40 lb	\$ 236	\$ 261
142060-000-XXX	Back wall for KDTS 2954	53 7/8 x 9 1/8 x 60 in.	29 ft ³	57 lb	\$ 195	\$ 220

KDTS 2954 (cont'd)

GENERATION + OPTIONS

No	Model	Approx. weight	List Price
OPT 20203-V-XXX	18 in. Modern straight grab bar (factory installed) ⁶ OPT 20203-VR-XXX Vertical grab bar on right wall OPT 20203-VL-XXX Vertical grab bar on left wall Available colors: White (002), Chrome (084) and Brushed Nickel (105)	N/A	Add \$ 162
OPT 20203-B-XXX	18 in. Modern straight grab bar ⁶ OPT 20203-HB-XXX Horizontal grab bar on back wall Available colors: White (002), Chrome (084) and Brushed Nickel (105)	N/A	Add \$ 162
OPT 20204-V-XXX	24 in. Modern straight grab bar (factory installed) ⁶ OPT 20204-VR-XXX Vertical grab bar on right wall OPT 20204-VL-XXX Vertical grab bar on left wall Available colors: White (002), Chrome (084) and Brushed Nickel (105)	N/A	Add \$ 174
OPT 20204-B-XXX	24 in. Modern straight grab bar (factory installed) ⁶ OPT 20204-HB-XXX Horizontal grab bar on back wall Available colors: White (002), Chrome (084) and Brushed Nickel (105)	N/A	Add \$ 174
OPT 20212-X	Wall reinforcement (one wall) for future grab bar installation ⁹ OPT 20212-R Reinforcement on right wall OPT 20212-L Reinforcement on left wall OPT 20212-B Reinforcement on back wall	N/A	Add \$ 68

COMMON OPTIONS

No	Model	Approx. weight	List Price
OPT 10109-XXX	Metallic finish handle replacing Acrylic handle Available colors: Chrome (084) and Brushed Nickel (105)	N/A	Add \$ 158
OPT 20200	Pre-assembled unit	N/A	Add \$ 53

DOORS RECOMMENDED WITH KDTS 2954

No	Description	Page
137500	Edge Tub 30 x 55 1/2 in., 6 mm	p. 278
137501	Edge Square Tub 34 x 58 in., 8 mm	p. 278
137502	Edge Duo Tub 42 x 58 in., 8 mm	p. 278

A SECURE FIT EVERY TIME

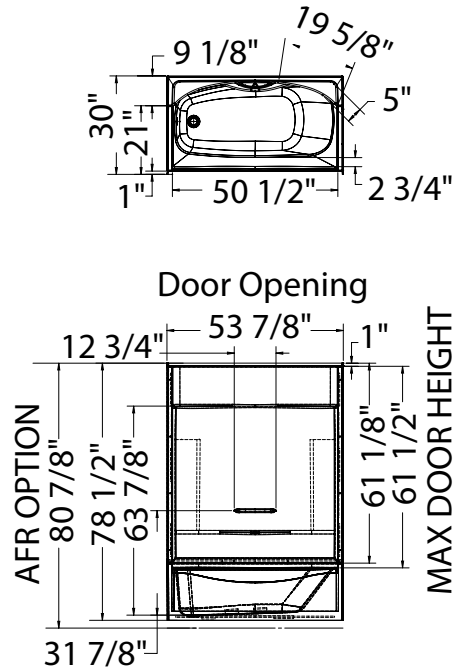
Our enhanced, patented front installation [PIN system](#) was designed with the installer in mind. Used in our KDS Series, this [time-and money-saving solution](#) eliminates the need for rear access. And pins are made of sturdier material for a tighter fit between the parts.

Did you know? Our sturdy, innovative PIN system is available in our new KDS Series of multi-piece showers and tub showers.

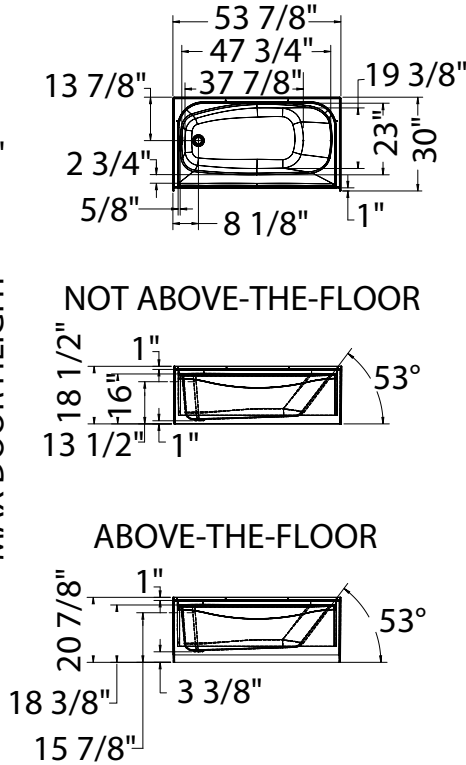


KDTS 2954 (cont'd)

STANDARD

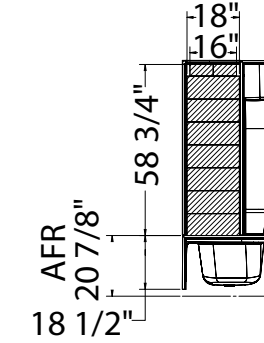


NO SYSTEM

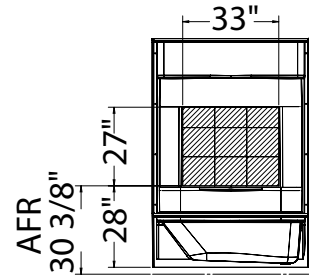


REINFORCEMENT BACKING

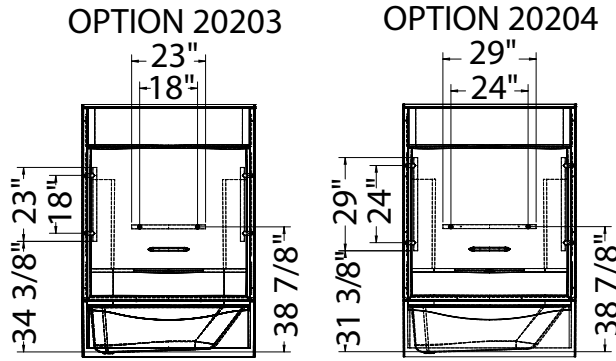
OPTION 20212-L Shown
OPTION 20212-R Symetrical



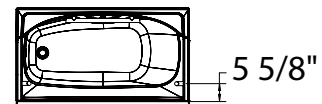
OPTION 20212-B



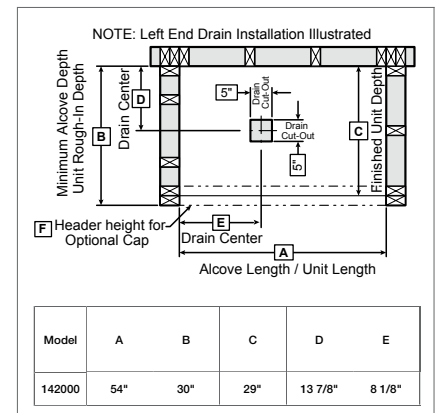
GRAB BARS



OPTION
20203-20204



All dimensions are approximate. Structure measurements must be verified against the unit to ensure proper fit.

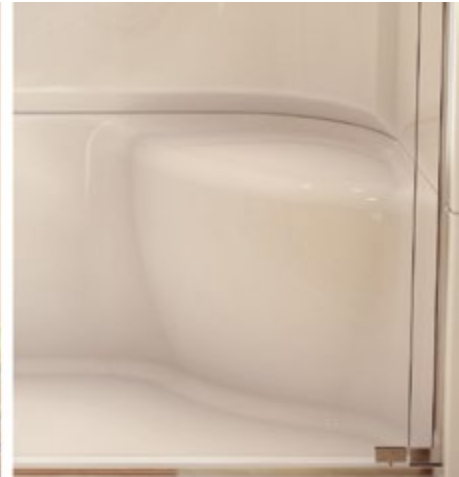


KDS 3460

59 3/4" x 33 1/2" x 80 1/8" - Gelcoat

- Four-piece gelcoated fiberglass shower with PIN system for easy front installation
- Large top corner shelves, wide soap dish and standard acrylic handle (opt. metallic finishes)
- Right/left-hand seat (drain opposite to seat) or no seat (center drain)
- Optional unique features: Reinforced walls and grab bars
- Product also available in Above-the-Floor Rough
- Textured floor

GELCOAT SHOWERS



SHOWER MODEL

No	Model	Dimensions	Pkg	Approx. weight	Std Color(s)	Non-std Color(s)
142042-000-XXX	4-piece shower ¹ 142042-R-000-XXX Right seat, left drain 142042-L-000-XXX Left seat, right drain 142042-000-XXX No seat, center drain Specify: Standard colors: White (002), Bone (004), Biscuit (007) Non-standard colors: Refer to color chart in this book.	59 3/4 x 33 1/2 x 80 1/8 in. Door opening: 56 1/2 X 76 1/4	105 ft ³	155 lb	\$ 1,148	\$ 1,248
142046-000-XXX	Shower base only with pin system ¹ 142046-R-000-XXX Right seat, left drain 142046-L-000-XXX Left seat, right drain 142046-000-XXX No seat, center drain	59 7/8 x 33 1/2 x 20 1/8 in.	28 ft ³	55 lb	\$ 681	\$ 731
142057-000-XXX	Side walls (right and left) for KDS 3448 and KDS 3460	23 3/8 x 1 1/2 x 60 in.	3.8 ft ³	40 lb	\$ 256	\$ 281
142061-000-XXX	Back wall for KDTS 3060, KDTS 3260, KDS 3060 and KDS 3460	59 7/8 x 10 1/8 x 60 in.	29 ft ³	60 lb	\$ 214	\$ 239

AFR SHOWER MODEL

No	Model	Dimensions	Pkg	Approx. weight	Std Color(s)	Non-std Color(s)
142043-000-XXX	4-piece shower AFR ¹ 142043-R-000-XXX Above-the-Floor Rough, right seat, left drain 142043-L-000-XXX Above-the-Floor Rough, left seat, right drain 142043-000-XXX Above-the-Floor Rough, no seat, center drain Specify: Standard colors: White (002), Bone (004), Biscuit (007) Non-standard colors: Refer to color chart in this book.	59 3/4 x 33 1/2 x 82 1/8 in. Door opening: 56 1/2 X 76 1/4	105 ft ³	155 lb	\$ 1,148	\$ 1,248
142047-000-XXX	Shower base only with AFR with pin system ¹ 142047-R-000-XXX Right seat, center drain 142047-L-000-XXX Left seat, center drain 142047-000-XXX No seat, center drain	59 7/8 x 33 1/2 x 22 1/8 in.	58 ft ³	55 lb	\$ 681	\$ 731
142057-000-XXX	Side walls (right and left) for KDS 3448 and KDS 3460	23 3/8 x 1 1/2 x 60 in.	3.8 ft ³	40 lb	\$ 256	\$ 281
142061-000-XXX	Back wall for KDTS 3060, KDTS 3260, KDS 3060 and KDS 3460	59 7/8 x 10 1/8 x 60 in.	29 ft ³	60 lb	\$ 214	\$ 239

KDS 3460 (cont'd)

GENERATION + OPTIONS

No	Model	Approx. weight	List Price
OPT 20203-V-XXX	18 in. Modern straight grab bar (factory installed) ⁶ OPT 20203-VR-XXX Vertical grab bar on right wall OPT 20203-VL-XXX Vertical grab bar on left wall Available colors: White (002), Chrome (084) and Brushed Nickel (105)	N/A	Add \$ 162
OPT 20203-B-XXX	18 in. Modern straight grab bar ⁶ OPT 20203-HB-XXX Horizontal grab bar on back wall Available colors: White (002), Chrome (084) and Brushed Nickel (105)	N/A	Add \$ 162
OPT 20204-V-XXX	24 in. Modern straight grab bar (factory installed) ⁶ OPT 20204-VR-XXX Vertical grab bar on right wall OPT 20204-VL-XXX Vertical grab bar on left wall Available colors: White (002), Chrome (084) and Brushed Nickel (105)	N/A	Add \$ 174
OPT 20204-B-XXX	24 in. Modern straight grab bar (factory installed) ⁶ OPT 20204-HB-XXX Vertical grab bar on back wall Available colors: White (002), Chrome (084) and Brushed Nickel (105)	N/A	Add \$ 174
OPT 20212-X	Wall reinforcement (one wall) for future grab bar installation ⁹ OPT 20212-R Reinforcement on right wall OPT 20212-L Reinforcement on left wall OPT 20212-B Reinforcement on back wall	N/A	Add \$ 68

COMMON OPTIONS

No	Model	Approx. weight	List Price
OPT 10109-XXX	Metallic finish handle replacing Acrylic handle Available colors: Chrome (084) and Brushed Nickel (105)	N/A	Add \$ 158
OPT 20200	Pre-assembled unit	N/A	Add \$ 53

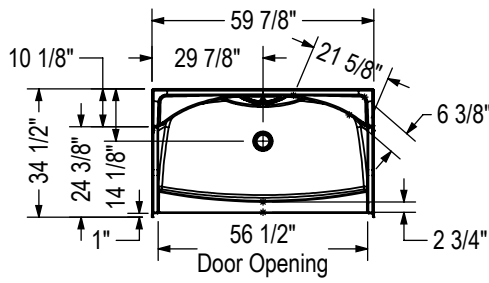
DOORS RECOMMENDED WITH KDS 3460

No	Description	Page
138315	Triple Plus 3-panel 58 x 66 in.	p. 286
136457	Kleara 2-panel 54 1/2-57 1/2 x 69 in. 6 mm	p. 283
105412	Polar 2-panel 54-59 1/2 x 68 in.	p. 286
136672	Reveal 71 pivot door 56-59 x 71 1/2 in. 8 mm	p. 282
136881	Reveal 75 pivot door 56-59 x 75 in. 8 mm	p. 282
134572	Kameleon semi-frameless sliding door 55-59 x 71 in. 8 mm	p. 280
134675	Kameleon SC semi-frameless sliding door 55-59 x 71 in. 8 mm	p. 280
134565	Kameleon semi-frameless sliding door 55-59 x 71 in. 6 mm	p. 280
134665	Kameleon SC semi-frameless sliding door 55-59 x 71 in. 6 mm	p. 280
136272	Duel frameless sliding door 56-59 x 70 1/2 in. 8 mm	p. 277
138993	Luminescence frameless sliding door 56 1/2-59 x 70 1/2 in. 6 mm	p. 281

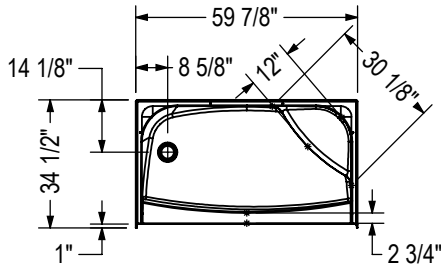
KDS 3460 (cont'd)

STANDARD

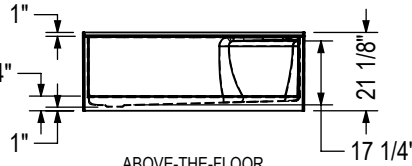
NO SEAT



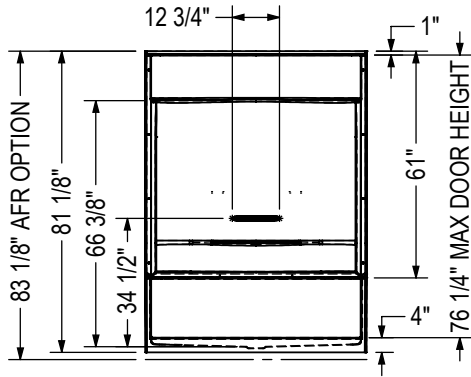
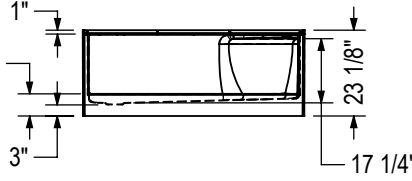
RIGHT SEAT SHOWN
LEFT SEAT SYMMETRICAL



NOT ABOVE-THE-FLOOR

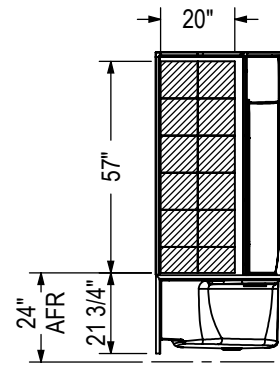


ABOVE-THE-FLOOR

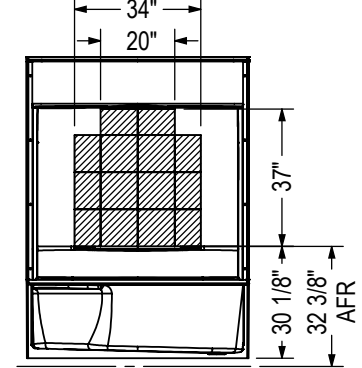


REINFORCEMENT BACKING

OPTION 20212-L Shown
OPTION 20212-R Symmetrical

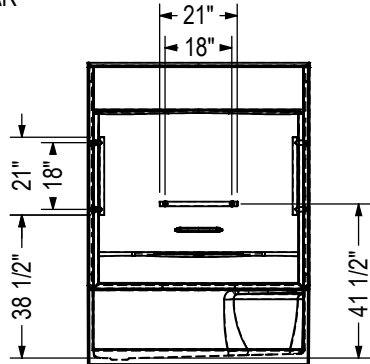


OPTION 20212-B

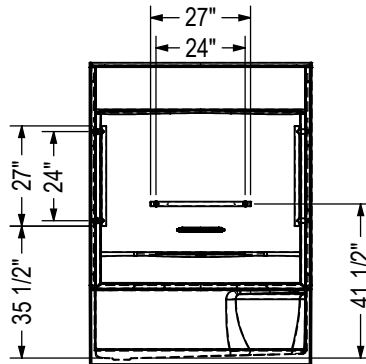


GRAB BAR

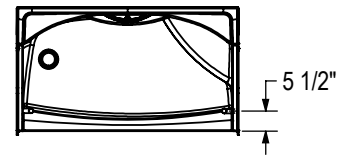
OPTION 20203



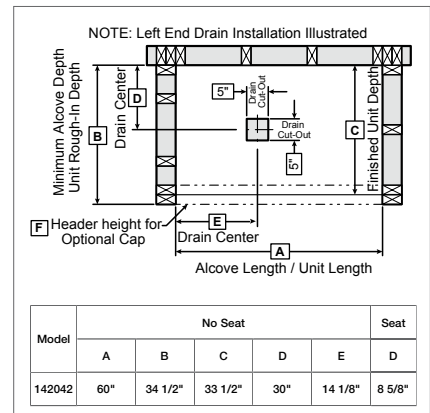
OPTION 20204



OPTION
20203-20204



All dimensions are approximate. Structure measurements must be verified against the unit to ensure proper fit.



KDS 3060

59 3/4" x 30" x 80 1/8" - Gelcoat

- Four-piece gelcoated fiberglass shower with PIN system for easy front installation
- Large top corner shelves, wide soap dish and standard acrylic handle (opt. metallic finishes)
- Right/left-hand seat (drain opposite to seat) or no seat (center drain)
- Optional unique features: Reinforced walls and grab bars
- Product also available in Above-the-Floor Rough
- Textured floor



GELCOAT SHOWERS

SHOWER MODEL

No	Model	Dimensions	Pkg	Approx. weight	Std Color(s)	Non-std Color(s)
142036-000-XXX	4-piece shower ¹ 142036-R-000-XXX Right seat, left drain 142036-L-000-XXX Left seat, right drain 142036-000-XXX No seat, center drain Specify: Standard colors: White (002), Bone (004), Biscuit (007) Non-standard colors: Refer to color chart in this book.	59 3/4 x 30 x 80 1/8 - 82 1/8 in. Door opening: 56 1/2 X 76 1/4	99 ft ³	152 lb	\$ 1,056	\$ 1,156
142040-000-XXX	Shower base only with pin system ¹ 142040-R-000-XXX Right seat, left drain 142040-L-000-XXX Left seat, right drain 142040-000-XXX No seat, center drain	59 7/8 x 30 x 20 1/8 in.	28 ft ³	52 lb	\$ 608	\$ 658
142048-000-XXX	Side walls (right and left) for KDTS 2954, KDTS 3060 and KDS 3060	19 7/8 x 1 1/2 x 60 in.	3.2 ft ³	40 lb	\$ 236	\$ 261
142061-000-XXX	Back wall for KDTS 3060, KDTS 3260, KDS 3060 and KDS 3460	59 7/8 x 10 1/8 x 60 in.	29 ft ³	60 lb	\$ 214	\$ 239

AFR SHOWER MODEL

No	Model	Dimensions	Pkg	Approx. weight	Std Color(s)	Non-std Color(s)
142037-000-XXX	4-piece shower AFR ¹ 142037-R-000-XXX Above-the-Floor Rough, right seat, left drain 142037-L-000-XXX Above-the-Floor Rough, left seat, right drain 142037-000-XXX Above-the-Floor Rough, no seat, center drain Specify: Standard colors: White (002), Bone (004), Biscuit (007) Non-standard colors: Refer to color chart in this book.	59 3/4 x 30 x 82 1/4 in. Door opening: 56 1/2 X 76 1/4	99 ft ³	152 lb	\$ 1,056	\$ 1,156
142041-000-XXX	Shower base only AFR with pin system ¹ 142041-R-000-XXX Above-the-Floor Rough, Right seat, left drain 142041-L-000-XXX Above-the-Floor Rough, Left seat, right drain 142041-000-XXX Above-the-Floor Rough, No seat, center drain	59 7/8 x 30 x 22 1/8 in.	28 ft ³	52 lb	\$ 608	\$ 658
142048-000-XXX	Side walls (right and left) for KDTS 2954, KDTS 3060 and KDS 3060	19 7/8 x 1 1/2 x 60 in.	3.2 ft ³	40 lb	\$ 236	\$ 261
142061-000-XXX	Back wall for KDTS 3060, KDTS 3260, KDS 3060 and KDS 3460	59 7/8 x 10 1/8 x 60 in.	29 ft ³	60 lb	\$ 214	\$ 239

KDS 3060 (cont'd)

GENERATION + OPTIONS

No	Model	Approx. weight	List Price
OPT 20203-V-XXX	18 in. Modern straight grab bar (factory installed) ⁶ OPT 20203-VR-XXX Vertical grab bar on right wall OPT 20203-VL-XXX Vertical grab bar on left wall Available colors: White (002), Chrome (084) and Brushed Nickel (105)	N/A	Add \$ 162
OPT 20203-B-XXX	18 in. Modern straight grab bar ⁶ OPT 20203-HB-XXX Horizontal grab bar on back wall Available colors: White (002), Chrome (084) and Brushed Nickel (105)	N/A	Add \$ 162
OPT 20204-V-XXX	24 in. Modern straight grab bar (factory installed) ⁶ OPT 20204-VR-XXX Vertical grab bar on right wall OPT 20204-VL-XXX Vertical grab bar on left wall Available colors: White (002), Chrome (084) and Brushed Nickel (105)	N/A	Add \$ 174
OPT 20204-B-XXX	24 in. Modern straight grab bar (factory installed) ⁶ OPT 20204-HB-XXX Vertical grab bar on back wall Available colors: White (002), Chrome (084) and Brushed Nickel (105)	N/A	Add \$ 174
OPT 20212-X	Wall reinforcement (one wall) for future grab bar installation ⁹ OPT 20212-R Reinforcement on right wall OPT 20212-L Reinforcement on left wall OPT 20212-B Reinforcement on back wall	N/A	Add \$ 68

COMMON OPTIONS

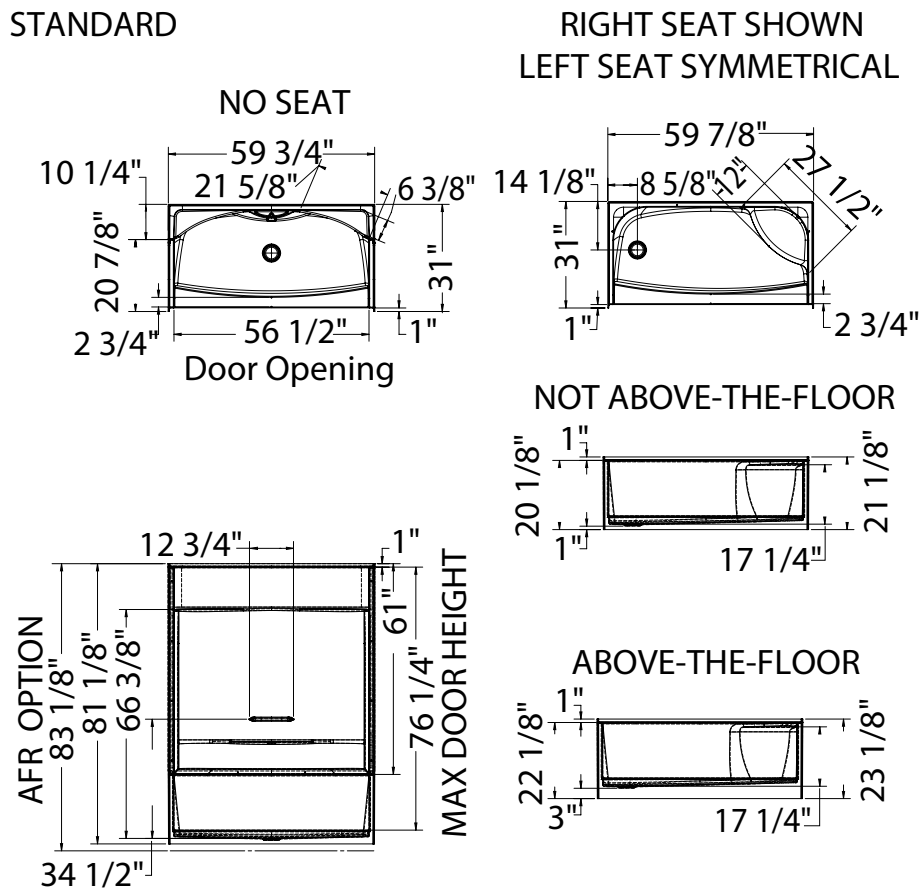
No	Model	Approx. weight	List Price
OPT 10109-XXX	Metallic finish handle replacing Acrylic handle Available colors: Chrome (084) and Brushed Nickel (105)	N/A	Add \$ 158
OPT 20200	Pre-assembled unit	N/A	Add \$ 53

DOORS RECOMMENDED WITH KDS 3060

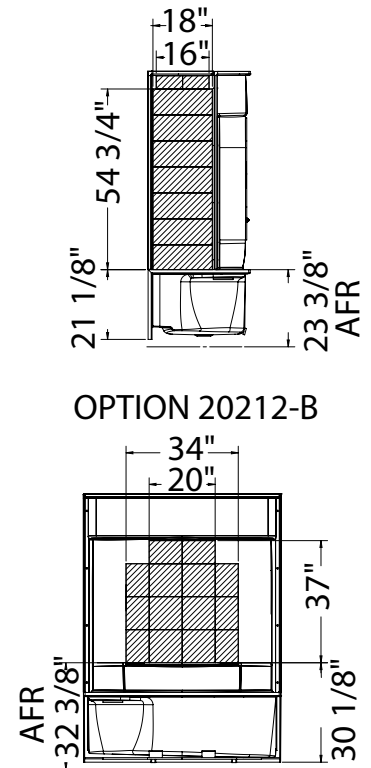
No	Description	Page
138315	Triple Plus 3-panel 58 x 66 in.	p. 286
136457	Kleara 2-panel 54 1/2-57 1/2 x 69 in. 6 mm	p. 283
105412	Polar 2-panel 54-59 1/2 x 68 in.	p. 286
136672	Reveal 71 pivot door 56-59 x 71 1/2 in. 8 mm	p. 282
136881	Reveal 75 pivot door 56-59 x 75 in. 8 mm	p. 282
134572	Kameleon semi-frameless sliding door 55-59 x 71 in. 8 mm	p. 280
134675	Kameleon SC semi-frameless sliding door 55-59 x 71 in. 8 mm	p. 280
134565	Kameleon semi-frameless sliding door 55-59 x 71 in. 6 mm	p. 280
134665	Kameleon SC semi-frameless sliding door 55-59 x 71 in. 6 mm	p. 280
136272	Duel frameless sliding door 56-59 x 70 1/2 in. 8 mm	p. 277
138993	Luminescence frameless sliding door 56 1/2-59 x 70 1/2 in. 6 mm	p. 281

KDS 3060 (cont'd)

STANDARD

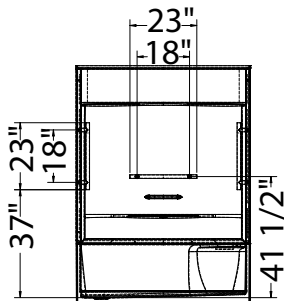


REINFORCEMENT BACKING
OPTION 20212-L Shown
OPTION 20212-R Symetrical

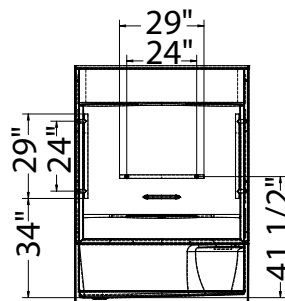


GRAB BARS

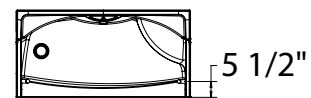
OPTION 20203



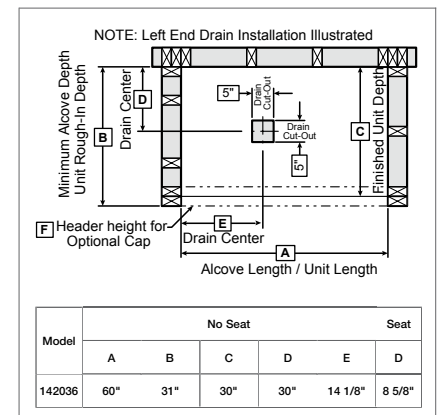
OPTION 20204



OPTION 20203-20204



All dimensions are approximate. Structure measurements must be verified against the unit to ensure proper fit.

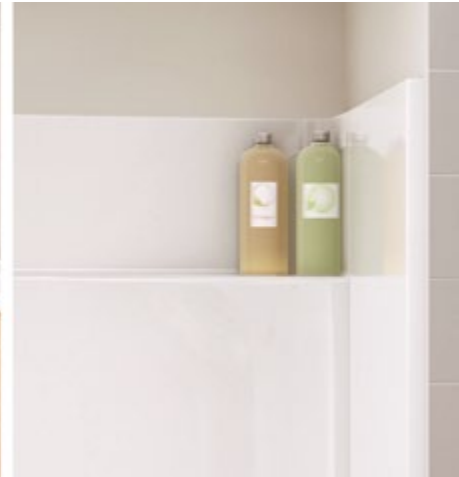


KDS 3448

47 7/8" x 33 5/8" x 80 1/8" - Gelcoat

- Four-piece gelcoated fiberglass shower with PIN system for easy front installation
- Large top corner shelves, wide soap dish and standard acrylic handle (opt. metallic finishes)
- Optional unique features: Reinforced walls and grab bars
- Product also available in Above-the-Floor Rough
- Right/left-hand seat or no seat
- Center drain

GELCOAT SHOWERS



SHOWER MODEL

No	Model	Dimensions	Pkg	Approx. weight	Std Color(s)	Non-std Color(s)
142030-000-XXX	4-piece shower ¹ 142030-R-000-XXX Right seat, center drain 142030-L-000-XXX Left seat, center drain 142030-000-XXX No seat, center drain Specify: Standard colors: White (002), Bone (004), Biscuit (007) Non-standard colors: Refer to color chart in this book.	47 7/8 x 33 5/8 x 80 1/8 in. Door opening: 44 1/2 X 76 1/4	83 ft ³	141 lb	\$ 928	\$ 1,028
142034-000-XXX	Shower base only with pin system ¹ 142034-R-000-XXX Right seat, center drain 142034-L-000-XXX Left seat, center drain 142034-000-XXX No seat, center drain	47 7/8 x 33 5/8 x 20 1/8 in.	24.6 ft ³	45 lb	\$ 524	\$ 574
142057-000-XXX	Side walls (right and left) for KDS 3448 and KDS 3460	23 3/8 x 1 1/2 x 60 in.	3.8 ft ³	40 lb	\$ 256	\$ 281
142064-000-XXX	Back wall for KDS 3448	47 7/8 x 10 1/8 x 60 in.	22.5 ft ³	56 lb	\$ 150	\$ 175

AFR SHOWER MODEL

No	Model	Dimensions	Pkg	Approx. weight	Std Color(s)	Non-std Color(s)
142031-000-XXX	4-piece shower AFR ¹ 142031-R-000-XXX Above-the-Floor Rough, right-seat, center drain 142031-L-000-XXX Above-the-Floor Rough, left seat, center drain 142031-000-XXX Above-the-Floor Rough, no seat, center drain Specify: Standard colors: White (002), Bone (004), Biscuit (007) Non-standard colors: Refer to color chart in this book.	47 7/8 x 33 5/8 x 82 1/4 in. Door opening: 44 1/2 X 76 1/4	83 ft ³	141 lb	\$ 928	\$ 1,028
142035-000-XXX	Shower base only with AFR with pin system ¹ 142035-R-000-XXX Right seat, center drain 142035-L-000-XXX Left seat, center drain 142035-000-XXX No seat, center drain	47 7/8 x 33 5/8 x 22 1/8 in.	24.6 ft ³	45 lb	\$ 524	\$ 574
142057-000-XXX	Side walls (right and left) for KDS 3448 and KDS 3460	23 3/8 x 1 1/2 x 60 in.	3.8 ft ³	40 lb	\$ 256	\$ 281
142064-000-XXX	Back wall for KDS 3448	47 7/8 x 10 1/8 x 60 in.	22.5 ft ³	56 lb	\$ 150	\$ 175

KDS 3448 (cont'd)

GENERATION + OPTIONS

No	Model	Approx. weight	List Price
OPT 20203-V-XXX	18 in. Modern straight grab bar (factory installed) ⁶ OPT 20203-VR-XXX Vertical grab bar on right wall OPT 20203-VL-XXX Vertical grab bar on left wall Available colors: White (002), Chrome (084) and Brushed Nickel (105)	N/A	Add \$ 162
OPT 20203-B-XXX	18 in. Modern straight grab bar ⁶ OPT 20203-HB-XXX Horizontal grab bar on back wall Available colors: White (002), Chrome (084) and Brushed Nickel (105)	N/A	Add \$ 162
OPT 20204-V-XXX	24 in. Modern straight grab bar (factory installed) ⁶ OPT 20204-VR-XXX Vertical grab bar on right wall OPT 20204-VL-XXX Vertical grab bar on left wall Available colors: White (002), Chrome (084) and Brushed Nickel (105)	N/A	Add \$ 174
OPT 20212-X	Wall reinforcement (one wall) for future grab bar installation ⁹ OPT 20212-R Reinforcement on right wall OPT 20212-L Reinforcement on left wall OPT 20212-B Reinforcement on back wall	N/A	Add \$ 68

COMMON OPTIONS

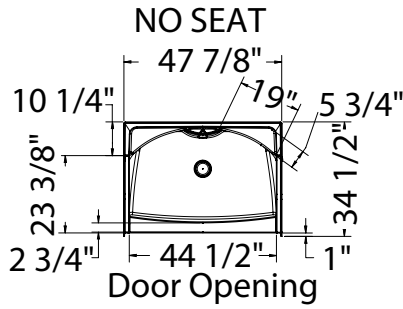
No	Model	Approx. weight	List Price
OPT 10109-XXX	Metallic finish handle replacing Acrylic handle Available colors: Chrome (084) and Brushed Nickel (105)	N/A	Add \$ 158
OPT 20200	Pre-assembled unit	N/A	Add \$ 53

DOORS RECOMMENDED WITH KDS 3448

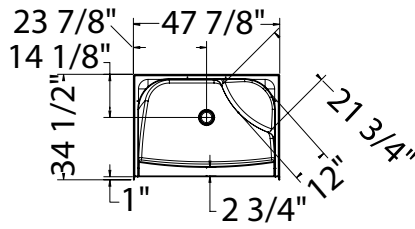
No	Description	Page
138296	Triple Plus 3-panel 44 1/2 x 66 in.	p. 286
136453	Kleara 2-panel 42 1/2-45 1/2 x 69 in. 6 mm	p. 283
105413	Polar 2-panel 42-47 1/2 x 68 in.	p. 286
136671	Reveal 71 pivot door 44-47 x 71 1/2 in. 8 mm	p. 282
136880	Reveal 75 pivot door 44-47 x 75 in. 8 mm	p. 282
134571	Kameleon semi-frameless sliding door 43-47 x 71 in. 8 mm	p. 280
134674	Kameleon SC semi-frameless sliding door 43-47 x 71 in. 8 mm	p. 280
134563	Kameleon semi-frameless sliding door 43-47 x 71 in. 6 mm	p. 280
134663	Kameleon SC semi-frameless sliding door 43-47 x 71 in. 6 mm	p. 280
138992	Luminescence frameless sliding door 44 1/2-47 x 70 1/2 in. 6 mm	p. 281
136271	Duel frameless sliding door 44-47 x 70 1/2 in. 8 mm	p. 277

KDS 3448 (cont'd)

STANDARD

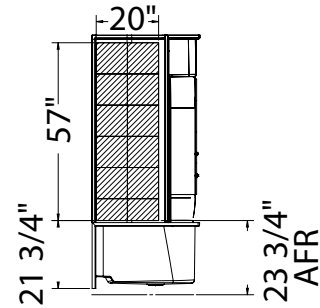


RIGHT SEAT SHOWN LEFT SEAT SYMMETRICAL

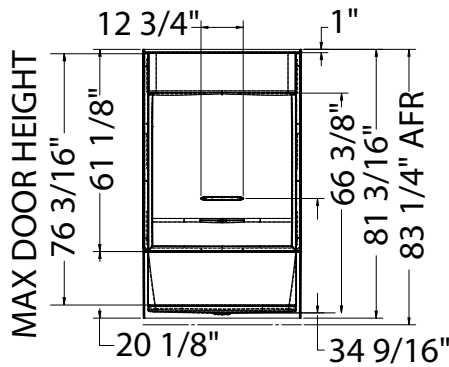
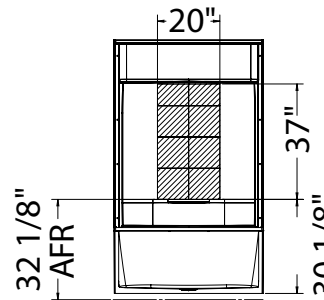


REINFORCEMENT BACKING

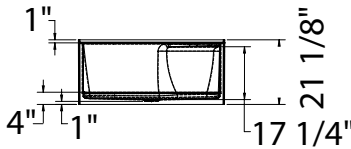
OPTION 20212-L Shown OPTION 20212-R Symetrical



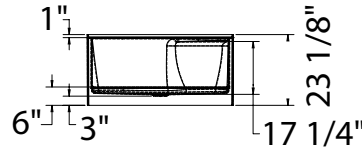
OPTION 20212-B



NOT ABOVE-THE-FLOOR



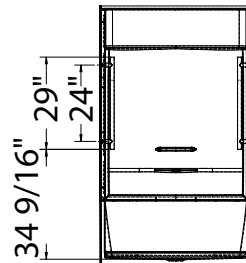
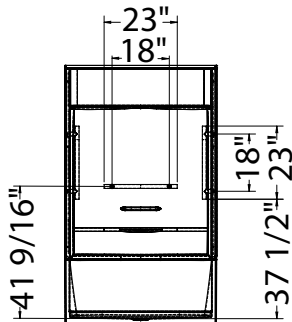
ABOVE-THE-FLOOR



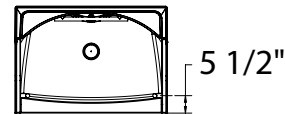
GRAB BARS

OPTION 20203

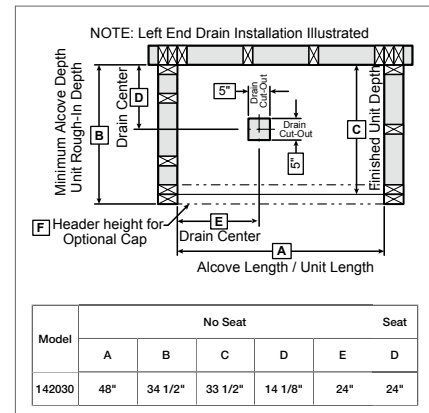
OPTION 20204



OPTION 20203-20204



All dimensions are approximate. Structure measurements must be verified against the unit to ensure proper fit.



KDS 3636

35 7/8" x 36" x 76" - Gelcoat

- Four-piece gelcoated fiberglass shower with PIN system for easy front installation
- Large top corner shelves, footrests and standard acrylic handle (opt. metallic finishes)
- Optional unique features: Reinforced walls and grab bars
- Product also available in Above-the-Floor Rough
- Textured floor
- Center drain



SHOWER MODEL

No	Model	Dimensions	Pkg	Approx. weight	Std Color(s)	Non-std Color(s)
142024-000-XXX	4-piece shower ¹ 142024-000-XXX Center drain Specify: Standard colors: White (002), Bone (004), Biscuit (007) Non-standard colors: Refer to color chart in this book.	35 7/8 x 36 x 76 in. Door opening: 32 1/2 X 72 5/8	64 ft ³	132 lb	\$ 831	\$ 931
142028-000-XXX	Shower base only with pin system ¹ 142028-000-XXX Center drain	35 7/8 x 36 x 3 3/8 in.	7.4 ft ³	35 lb	\$ 300	\$ 350
142054-000-XXX	Side walls (right and left) for KDS 3232 and KDS 3636	24 3/8 x 1 1/2 x 72 5/8 in.	4.9 ft ³	45 lb	\$ 255	\$ 280
142063-000-XXX	Back wall for KDS 3636	35 7/8 x 11 3/4 x 72 5/8 in.	22.5 ft ³	52 lb	\$ 279	\$ 304

AFR SHOWER MODEL

No	Model	Dimensions	Pkg	Approx. weight	Std Color(s)	Non-std Color(s)
142025-000-XXX	4-piece shower AFR ¹ 142025-000-XXX Above-the-Floor Rough, center drain Specify: Standard colors: White (002), Bone (004), Biscuit (007) Non-standard colors: Refer to color chart in this book.	35 7/8 x 36 x 79 1/2 in. Door opening: 32 1/2 X 72 5/8	64 ft ³	132 lb	\$ 831	\$ 931
142029-000-XXX	Shower base only with AFR and pin system ¹ 142029-000-XXX Above-the-Floor Rough, Center drain	35 7/8 x 36 x 6 7/8 in.	7.4 ft ³	35 lb	\$ 300	\$ 350
142054-000-XXX	Side walls (right and left) for KDS 3232 and KDS 3636	24 3/8 x 1 1/2 x 72 5/8 in.	4.9 ft ³	45 lb	\$ 255	\$ 280
142063-000-XXX	Back wall for KDS 3636	35 7/8 x 11 3/4 x 72 5/8 in.	22.5 ft ³	52 lb	\$ 279	\$ 304

KDS 3636 (cont'd)

GENERATION + OPTIONS

No	Model	Approx. weight	List Price
OPT 20203-V-XXX	18 in. Modern straight grab bar (factory installed) ⁶ OPT 20203-VR-XXX Vertical grab bar on right wall OPT 20203-VL-XXX Vertical grab bar on left wall Available colors: White (002), Chrome (084) and Brushed Nickel (105)	N/A	Add \$ 162
OPT 20203-B-XXX	18 in. Modern straight grab bar ⁶ OPT 20203-HB-XXX Horizontal grab bar on back wall Available colors: White (002), Chrome (084) and Brushed Nickel (105)	N/A	Add \$ 162
OPT 20204-V-XXX	24 in. Modern straight grab bar (factory installed) ⁶ OPT 20204-VR-XXX Vertical grab bar on right wall OPT 20204-VL-XXX Vertical grab bar on left wall Available colors: White (002), Chrome (084) and Brushed Nickel (105)	N/A	Add \$ 174
OPT 20212-X	Wall reinforcement (one wall) for future grab bar installation ⁹ OPT 20212-R Reinforcement on right wall OPT 20212-L Reinforcement on left wall OPT 20212-B Reinforcement on back wall	N/A	Add \$ 68

COMMON OPTIONS

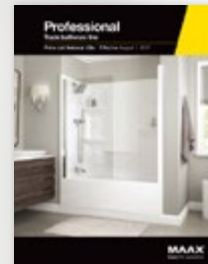
No	Model	Approx. weight	List Price
OPT 10109-XXX	Metallic finish handle replacing Acrylic handle Available colors: Chrome (084) and Brushed Nickel (105)	N/A	Add \$ 158
OPT 20200	Pre-assembled unit	N/A	Add \$ 53

DOORS RECOMMENDED WITH KDS 3636

No	Description	Page
136449	Kleara 1-panel 31 1/2-33 1/2 x 69 in. 6 mm	p. 283
136435	Pivolok Deluxe 1-panel 32 1/2-37 x 64 1/2 in.	p. 285
136655	Pivolok 1-panel 31-32 3/4 x 64 1/2 in.	p. 285
105417	Madono 1-panel 31 1/2-33 1/2 x 67 in. 6 mm	p. 283
136676	Reveal 71 pivot door 32 1/2-35 1/2 x 71 1/2 in. 8 mm	p. 282
136678	Reveal 75 pivot door 32 1/2-35 1/2 x 75 in. 8 mm	p. 282

You need more information
on **MAAX** shower doors?

Refer to the
MAAX Professional Price List

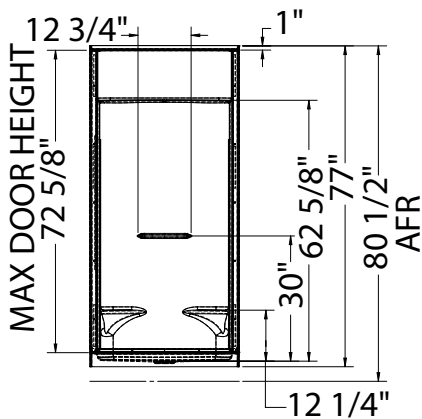
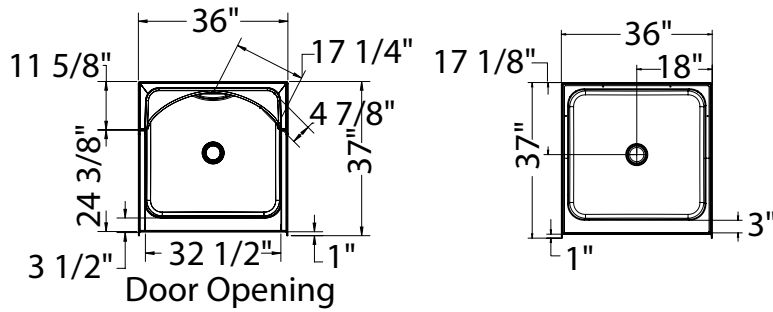


Click or type the link below to download

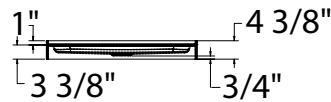
WWW.MAAX.COM/PARTNERPORTAL

KDS 3636 (cont'd)

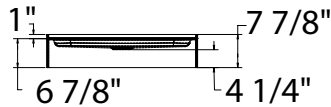
STANDARD



NOT ABOVE-THE-FLOOR

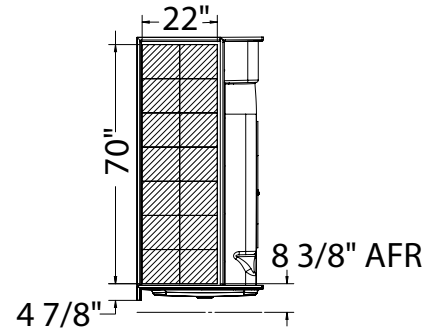


ABOVE-THE-FLOOR

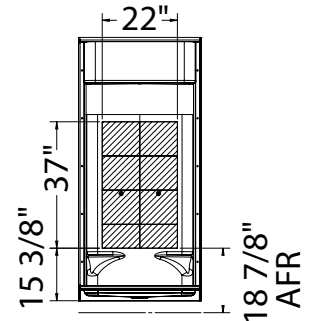


REINFORCEMENT BACKING

OPTION 20212-L Shown
OPTION 20212-R Symetrical



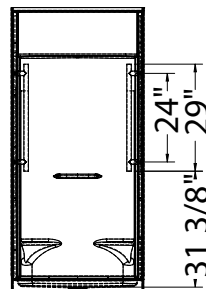
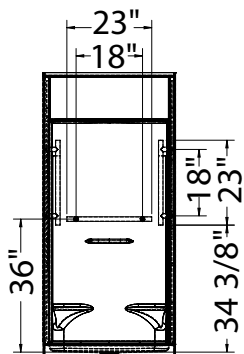
OPTION 20212-B



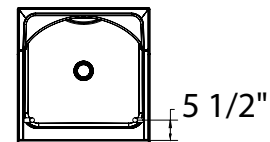
GRAB BARS

OPTION 20203

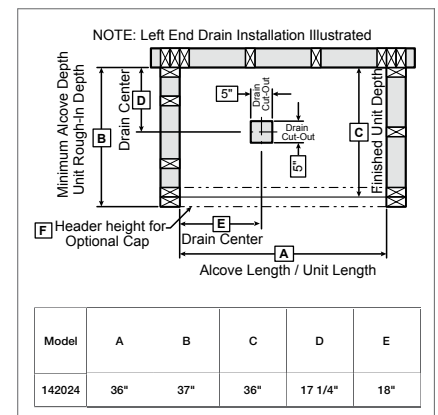
OPTION 20204



OPTION
20203-20204



All dimensions are approximate. Structure measurements must be verified against the unit to ensure proper fit.



KDS 3232

31 7/8" x 32" x 76" - Gelcoat

- Four-piece gelcoated fiberglass shower with PIN system for easy front installation
- Large top corner shelves, footrests and standard acrylic handle (opt. metallic finishes)
- Optional unique features: Reinforced walls and grab bars
- Product also available in Above-the-Floor Rough
- Center drain
- Textured floor

GELCOAT SHOWERS



SHOWER MODEL

No	Model	Dimensions	Pkg	Approx. weight	Std Color(s)	Non-std Color(s)
142018-000-XXX	4-piece shower ¹ 142018-000-XXX Center drain Specify: Standard colors: White (002), Bone (004), Biscuit (007) Non-standard colors: Refer to color chart in this book.	31 7/8 x 32 x 76 in. Door opening: 28 1/2 X 72 5/8	52 ft ³	122 lb	\$ 747	\$ 847
142022-000-XXX	Shower base only with pin system 142022-000-XXX Center drain	31 7/8 x 32 x 3 3/8 in.	7 ft ³	32 lb	\$ 261	\$ 311
142054-000-XXX	Side walls (right and left) for KDS 3232 and KDS 3636	24 3/8 x 1 1/2 x 72 5/8 in.	4.9 ft ³	45 lb	\$ 255	\$ 280
142062-000-XXX	Back wall for KDS 3232	31 7/8 x 7 5/8 x 72 5/8 in.	20.5 ft ³	45 lb	\$ 234	\$ 259

AFR SHOWER MODEL

No	Model	Dimensions	Pkg	Approx. weight	Std Color(s)	Non-std Color(s)
142019-000-XXX	4-pieces shower AFR ¹ 142019-000-XXX Above-the-Floor Rough, center drain Specify: Standard colors: White (002), Bone (004), Biscuit (007) Non-standard colors: Refer to color chart in this book.	31 7/8 x 32 x 79 1/2 in. Door opening: 28 1/2 X 72 5/8	52 ft ³	122 lb	\$ 747	\$ 847
142023-000-XXX	Shower base only with AFR and pin system ¹ 142023-000-XXX Above-the-Floor Rough, Center drain	31 7/8 x 32 x 6 7/8 in.	6.9 ft ³	32 lb	\$ 261	\$ 311
142054-000-XXX	Side walls (right and left) for KDS 3232 and KDS 3636	24 3/8 x 1 1/2 x 72 5/8 in.	4.9 ft ³	45 lb	\$ 255	\$ 280
142062-000-XXX	Back wall for KDS 3232	31 7/8 x 7 5/8 x 72 5/8 in.	20.5 ft ³	45 lb	\$ 234	\$ 259

GENERATION + OPTIONS

No	Model	Approx. weight	List Price
OPT 20203-V-XXX	18 in. Modern straight grab bar (factory installed) ⁶ OPT 20203-VR-XXX Vertical grab bar on right wall OPT 20203-VL-XXX Vertical grab bar on left wall Available colors: White (002), Chrome (084) and Brushed Nickel (105)	N/A	Add \$ 162
OPT 20203-B-XXX	18 in. Modern straight grab bar ⁶ OPT 20203-HB-XXX Horizontal grab bar on back wall Available colors: White (002), Chrome (084) and Brushed Nickel (105)	N/A	Add \$ 162

KDS 3232 (cont'd)

No	Model	Approx. weight	List Price
OPT 20204-V-XXX	24 in. Modern straight grab bar (factory installed) ⁶ OPT 20204-VR-XXX Vertical grab bar on right wall OPT 20204-VL-XXX Vertical grab bar on left wall Available colors: White (002), Chrome (084) and Brushed Nickel (105)	N/A	Add \$ 174
OPT 20212-X	Wall reinforcement (one wall) for future grab bar installation ⁹ OPT 20212-R Reinforcement on right wall OPT 20212-L Reinforcement on left wall OPT 20212-B Reinforcement on back wall	N/A	Add \$ 68

COMMON OPTIONS

No	Model	Approx. weight	List Price
OPT 10109-XXX	Metallic finish handle replacing Acrylic handle Available colors: Chrome (084) and Brushed Nickel (105)	N/A	Add \$ 158
OPT 20200	Pre-assembled unit	N/A	Add \$ 53

DOORS RECOMMENDED WITH KDS 3232

No	Description	Page
136447	Kleara 1-panel 27 1/2-29 1/2 x 69 in. 6 mm	p. 283
136425	Pivolok Deluxe 1-panel 28-32 1/2 x 64 1/2 in.	p. 285
136635	Pivolok 1-panel 27-28 3/4 x 64 1/2 in.	p. 285
105416	Madono 1-panel 28 1/2-30 1/2 x 67 in. 6 mm	p. 283

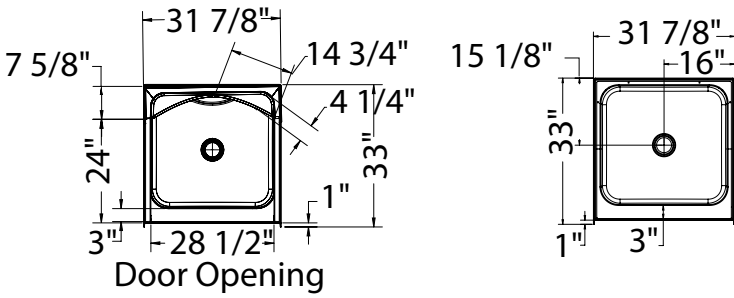
REINFORCED SIDES FOR A STURDIER AND SAFER SHOWER

Sidewalls reinforced with fiberglass and wood ensure sturdier shower door and grab bar installation, [meaning a safer overall product.](#)



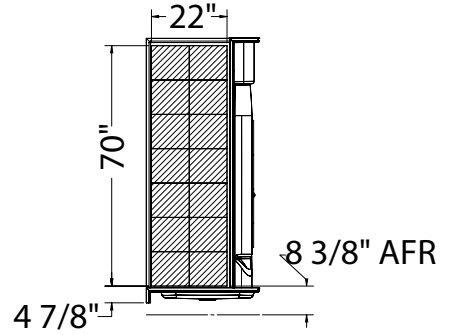
KDS 3232 (cont'd)

STANDARD

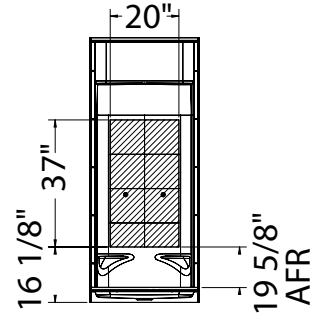


REINFORCEMENT BACKING

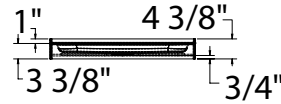
OPTION 20212-L Shown
OPTION 20212-R Symmetrical



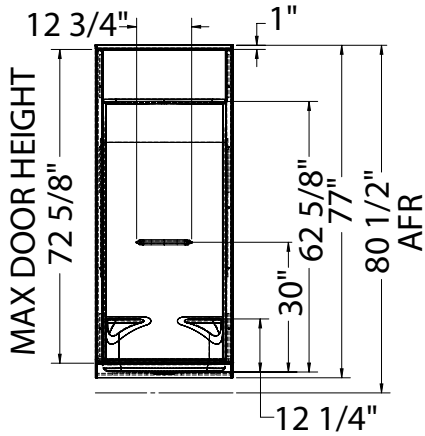
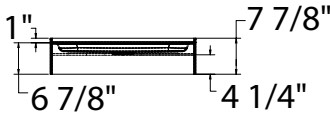
OPTION 20212-B



NOT ABOVE-THE-FLOOR



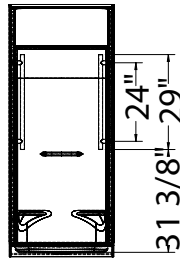
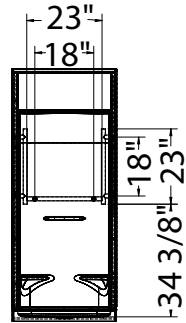
ABOVE-THE-FLOOR



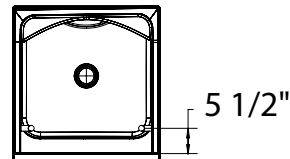
GRAB BARS

OPTION 20203

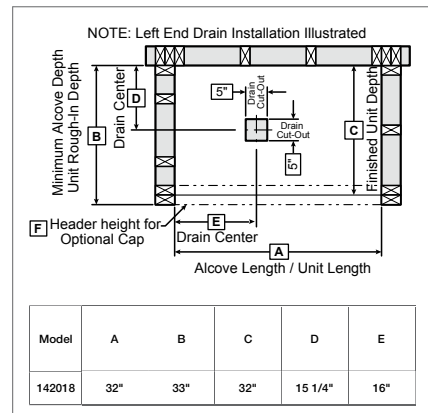
OPTION 20204



OPTION 20203-20204



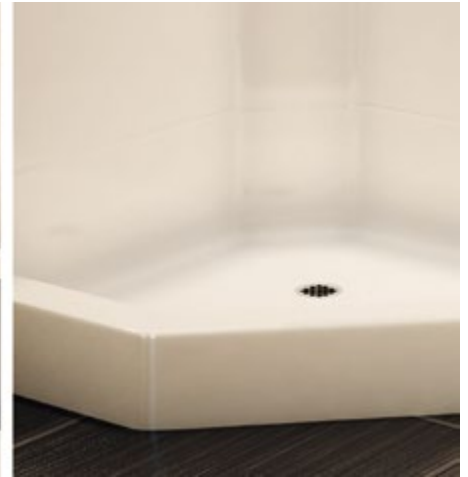
All dimensions are approximate. Structure measurements must be verified against the unit to ensure proper fit.



KD-NAS

38" x 38" x 76 1/2" - Gelcoat

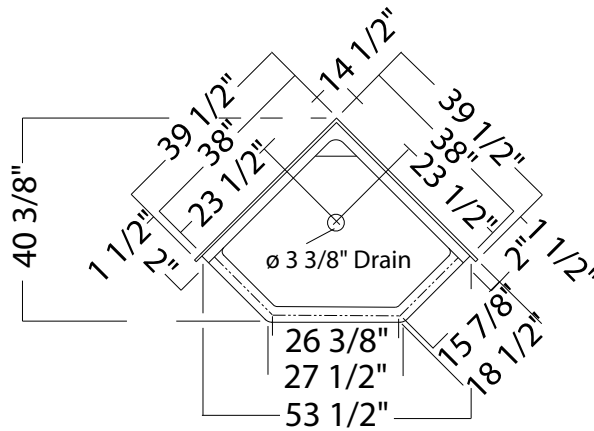
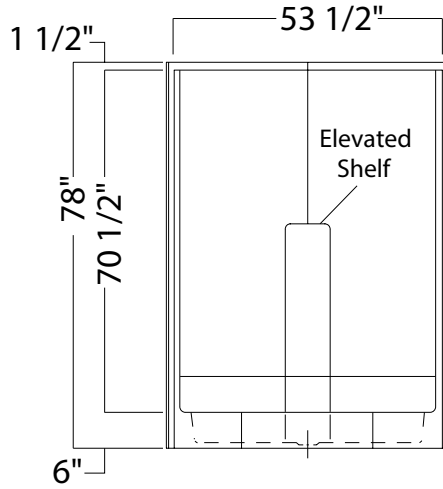
- Two-piece neo-angle corner shower
- Built-in corner shelf
- Center drain
- Textured floor



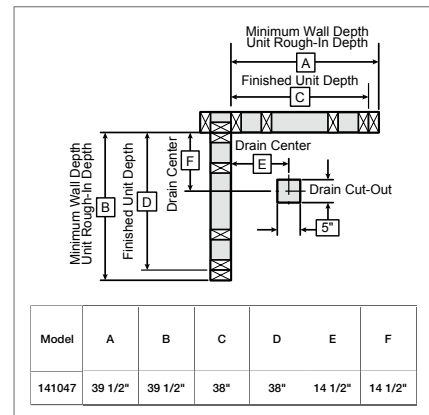
SHOWER MODEL

No	Model	Dimensions	Pkg	Approx. weight	Std Color(s)	Non-std Color(s)
141047-000-XXX	2-piece shower 141047-000-XXX Center drain Specify: Standard colors: White (002), Bone (004), Biscuit (007) Non-standard colors: Refer to color chart in this book.	38 x 38 x 76 1/2 in.	71.7 ft ³	97 lb	\$ 753	\$ 853

KD-NAS (cont'd)



All dimensions are approximate. Structure measurements must be verified against the unit to ensure proper fit.









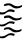






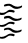













Bathtubs



















TO 3060 BATHTUB

Reference Guide: Bathtubs

GELCOAT RECTANGULAR BATHTUBS

<p>SBHG-4272</p>  <p>DROP-IN</p>	<p>p. 54</p> <p>72 X 42 X 22</p> 	<p>SB-3672</p>  <p>DROP-IN</p>	<p>p. 56</p> <p>72 x 36 x 22</p>  	<p>SBF-3672</p>  <p>ALCOVE</p>	<p>p. 58</p> <p>72 x 36 x 22</p>  
<p>GT-60</p>  <p>ALCOVE</p>	<p>p. 60</p> <p>60 x 48 x 23</p> 	<p>GT-4860</p>  <p>ALCOVE</p>	<p>p. 62</p> <p>60 x 48 x 24</p> 	<p>GT-4260</p>  <p>ALCOVE</p>	<p>p. 64</p> <p>60 x 41 x 23</p> 
<p>GT-4260 AP</p>  <p>ALCOVE</p>	<p>p. 66</p> <p>60 x 42 x 27</p> 	<p>TO-4260</p>  <p>ALCOVE</p>	<p>p. 68</p> <p>60 x 41 x 16</p>	<p>SB-3660</p>  <p>DROP-IN</p>	<p>p. 71</p> <p>60 x 36 x 22</p>  
<p>SBA-3660</p>  <p>ALCOVE</p>	<p>p. 73</p> <p>60 x 37 x 21</p>  	<p>SBF-3660</p>  <p>ALCOVE</p>	<p>p. 76</p> <p>60 x 37 x 21</p>  	<p>TO-3660</p>  <p>ALCOVE</p>	<p>p. 78</p> <p>60 x 36 x 16</p>

Reference Guide: Bathtubs (cont'd)

GELCOAT RECTANGULAR BATHTUBS					
TOF-3260	p. 81	TO-3260	p. 83	SB-3260	p. 86
	60 x 32 x 19		60 x 32 x 16		60 x 32 x 22
ALCOVE		ALCOVE		DROP-IN	 
SBA-3260	p. 88	SBF-3260	p. 91	TOF-3060	p. 93
	60 x 33 x 21		60 x 32 x 22		60 x 30 x 18
ALCOVE	 	ALCOVE	 	ALCOVE	
TO-3060	p. 95	TOF-2954	p. 98	TO-2954	p. 100
	60 x 31 x 17		54 x 29 x 18		54 x 29 x 16
ALCOVE		ALCOVE		ALCOVE	















SYSTEMS		
	BODYWRAP WHIRLPOOL	p. 8
	HOMESTEAD WHIRLPOOL	p. 9

Reference Guide: Bathtubs (cont'd)

GELCOAT OVAL BATHTUBS

<p>OV-4272</p>  <p>DROP-IN</p>	<p>p. 103</p> <p>72 X 42 X 22</p> <p> </p>	<p>SBOO-4272</p>  <p>DROP-IN</p>	<p>p. 105</p> <p>72 x 41 x 23</p> <p></p>	<p>OV-4260</p>  <p>DROP-IN</p>	<p>p. 107</p> <p>60 x 42 x 22</p> <p> </p>
<p>OVA-4260</p>  <p>ALCOVE</p>	<p>p. 109</p> <p>60 x 42 x 21</p> <p> </p>	<p>OVF-4260</p>  <p>ALCOVE</p>	<p>p. 111</p> <p>60 x 42 x 21</p> <p> </p>		

GELCOAT CORNER BATHTUBS

<p>GT-6060 AP</p>  <p>CORNER</p>	<p>p. 113</p> <p>59 x 59 x 24</p> <p></p>	<p>CT-6060</p>  <p>CORNER</p>	<p>p. 115</p> <p>59 x 59 x 22</p> <p> </p>	<p>CT2-6060</p>  <p>CORNER</p>	<p>p. 117</p> <p>59 x 59 x 22</p> <p> </p>
<p>CTF-6060</p>  <p>CORNER</p>	<p>p. 119</p> <p>59 x 59 x 22</p> <p> </p>	<p>CTF2-6060</p>  <p>CORNER</p>	<p>p. 121</p> <p>59 x 59 x 22</p> <p> </p>		

SYSTEMS		
	BODYWRAP WHIRLPOOL	p. 8
	HOMESTEAD WHIRLPOOL	p. 9

ENTRY-LEVEL TUB. HIGH-LEVEL BENEFITS.

AKER's **TO** family of IFS soaker bathtubs won't drain your time, budget or resources on multi-family residential projects or large single-family developments. They combine the perfect balance of **affordability and ease** with AKER's legendary **Full-Strength Approach** to quality.

The Fairest Deal for Meeting Fair Housing Act Compliance

All **TO** bathtub models comply with the accessibility requirements for IFS tubs under the Fair Housing Act (ANSI A117.1 and ADA 607, 608 and 609). In addition, our Above-the-Floor Rough fulfills the mandate required of most multi-family housing projects in the United States.

AKER now offers a complete line with the following dimensions:

29" x 54" | 30" x 60" | 32" x 60" | 36" x 60" | 42" x 60"

Job Pack Configurations

The sleek, clean look of the **TO** bathtubs will shine even brighter in your eyes because each model is available in **Job Pack Configurations**.

Designed with the New Work Contractor's Needs in Mind

- ✓ Job Pack Configurations¹ are available in multiples of 4, 8 or 12 tubs, **slashing your unit price**.
- ✓ Mix right and left drain configuration within a specific job pack configuration, **providing ease and convenience for multiple installations on the job site**.
- ✓ All job pack configurations are shipped with secure, tight packaging, **minimizing damages in delivery and on the job site**.

¹ Refer to product sheet to see which configurations are available.



SBHG-4272

72" x 42" x 21 1/2" - Gelcoat

Water Capacity: Min: 52 gal. Max: 104 gal.



- Armrests at each tub end
- Raised headrests
- Symmetrical backrests with lumbar supports
- Deep bathing well
- 20 1/4 inch deep sump
- Bottom bathing well: 49 1/4 inch L x 30 inch W



BATHTUB MODEL

No	Model	Dimensions	Pkg	Approx. weight	Std Color(s)	Non-std Color(s)
141108-000-XXX	Bathtub 141108-000-XXX Center drain Specify: Standard colors: White (002), Bone (004), Biscuit (007) Non-standard colors: Refer to color chart in this book.	72 X 42 X 21 1/2 in.	46.88 ft ³	99 lb	\$ 1,016	\$ 1,116
141093-000-XXX	Apron- Removable solid apron kit Specify: Standard colors: White (002), Bone (004), Biscuit (007) Non-Standard colors: Refer to color chart in this book.	N/A	3.93 ft ³	35 lb	\$ 381	\$ 431
141094-000-XXX	Apron- Non-removable solid apron kit Specify: Standard colors: White (002), Bone (004), Biscuit (007) Non-Standard colors: Refer to color chart in this book.	N/A	3.83 ft ³	22 lb	\$ 303	\$ 353

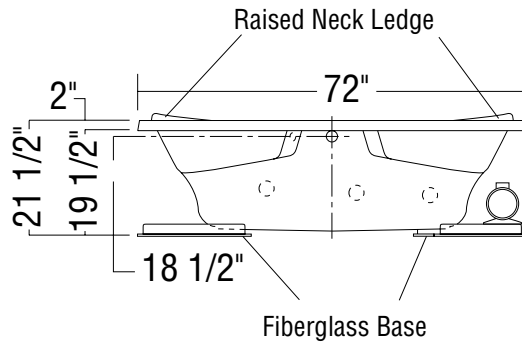
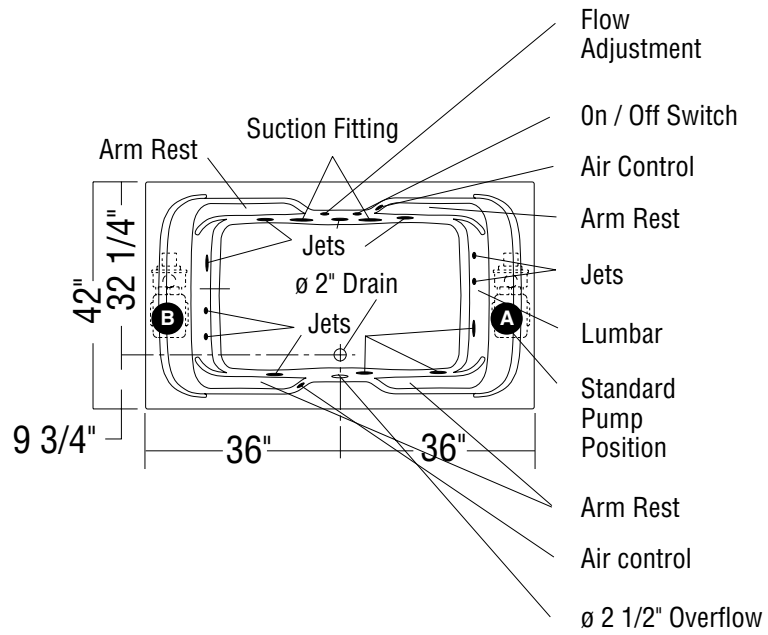
WHIRLPOOL SYSTEM

No	Model	Approx. weight	List Price
XXXXXX-057	Bodywrap system with micro switch ³	35 lb	Add \$ 1,395

COMMON OPTIONS

No	Model	Approx. weight	List Price
OPT 10172	In-line heater (factory-installed)	N/A	Add \$ 439
OPT 10174	Pump position opposite standard position ⁴	N/A	Add \$ 71
OPT 10175-084	Designer Grab Bars Available Color: Chrome (084)	N/A	Add \$ 282
OPT 20139	Ozonator for whirlpool system (factory installed)	N/A	Add \$ 373
OPT 20209-XXX	Trim Kit for Bodywrap Whirlpool (factory installed) Available colors: Chrome (084), Nickel (105)	N/A	No Charge

SBHG-4272 (cont'd)



12-jet Bodywrap System SBHG-4272 / BWS (illustrated)

All dimensions are approximate. Structure measurements must be verified against the unit to ensure proper fit.

SB-3672

72" x 36" x 21 1/2" - Gelcoat

Water Capacity: Min: 55 gal. Max: 110 gal.



- Deep and spacious bathing well
- Backrest with lumbar support
- Armrests
- 20 1/2 inch deep sump
- Bottom bathing well: 56 1/2 inch L x 27 inch W
- Deck for faucet

RECTANGULAR BATHTUBS



BATHTUB MODEL

No	Model	Dimensions	Pkg	Approx. weight	Std Color(s)	Non-std Color(s)
141105-000-XXX	Bathtub 141105-000-XXX End drain Specify: Standard colors: White (002), Bone (004), Biscuit (007) Non-standard colors: Refer to color chart in this book.	72 X 36 X 21 1/2 in.	42.2 ft ³	89 lb	\$ 788	\$ 888
141093-000-XXX	Apron- Removable solid apron kit Specify: Standard colors: White (002), Bone (004), Biscuit (007) Non-Standard colors: Refer to color chart in this book.	N/A	3.93 ft ³	35 lb	\$ 381	\$ 431
141094-000-XXX	Apron- Non-removable solid apron kit Specify: Standard colors: White (002), Bone (004), Biscuit (007) Non-Standard colors: Refer to color chart in this book.	N/A	3.83 ft ³	22 lb	\$ 303	\$ 353

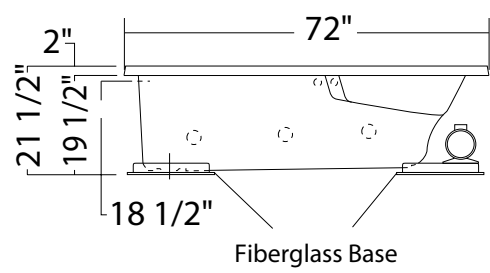
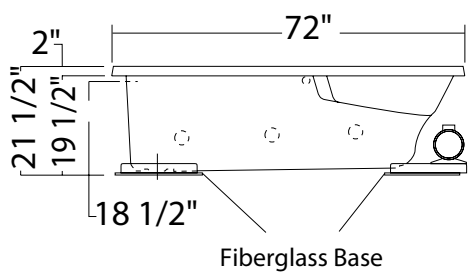
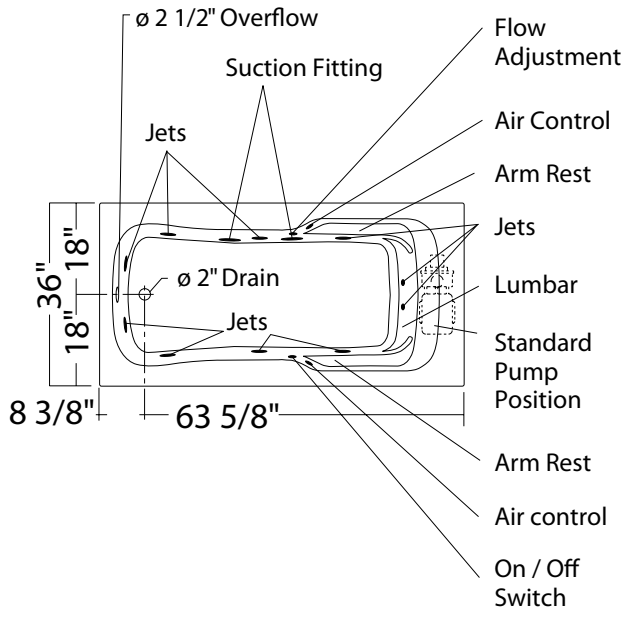
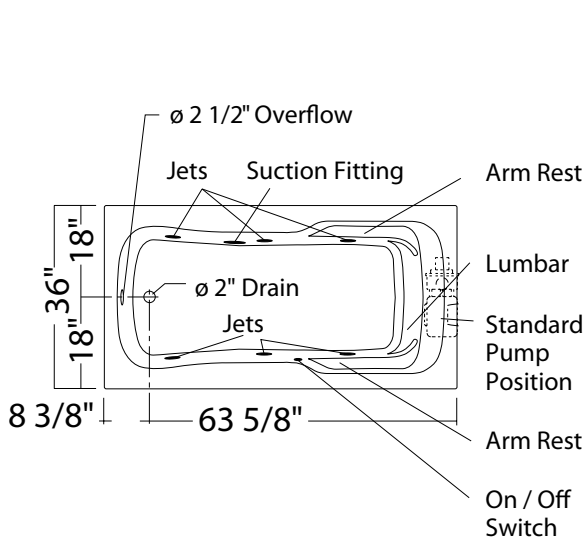
WHIRLPOOL SYSTEM

No	Model	Approx. weight	List Price
XXXXXX-058	Homestead whirlpool system with air switch ² (available only on standard color units)	35 lb	Add \$ 941
XXXXXX-057	Bodywrap system with micro switch ³	35 lb	Add \$ 1,395

COMMON OPTIONS

No	Model	Approx. weight	List Price
OPT 10172	In-line heater (factory-installed)	N/A	Add \$ 439
OPT 10174	Pump position opposite standard position ⁴	N/A	Add \$ 71
OPT 10175-084	Designer Grab Bars Available Color: Chrome (084)	N/A	Add \$ 282
OPT 20139	Ozonator for whirlpool system (factory installed)	N/A	Add \$ 373
OPT 20209-XXX	Trim Kit for Bodywrap Whirlpool (factory installed) Available colors: Chrome (084), Nickel (105)	N/A	No Charge

SB-3672 (cont'd)



6-jet Homestead Collection SB-3672
HMS (illustrated)

10-jet Bodywrap System SB-3672
HMS (illustrated)

All dimensions are approximate. Structure measurements must be verified against the unit to ensure proper fit.

SBF-3672

72" x 36" x 21 1/2" - Gelcoat

Water Capacity: Min: 55 gal. Max: 110 gal.



- Deep and spacious bathing well
- Backrest with lumbar support
- Armrests
- 20 1/2 inch deep sump
- Bottom bathing well: 56 1/2 inch L x 27 inch W
- Deck for faucet

RECTANGULAR BATHTUBS



BATHTUB MODEL

No	Model	Dimensions	Pkg	Approx. weight	Std Color(s)	Non-std Color(s)
141092-000-XXX	Bathtub 141092-R-000-XXX Right-hand drain 141092-L-000-XXX Left-hand drain Specify: Standard colors: White (002), Bone (004), Biscuit (007) Non-standard colors: Refer to color chart in this book.	72 X 36 X 21 1/2 in.	41.7 ft ³	90 lb	\$ 788	\$ 888
141093-000-XXX	Apron- Removable solid apron kit Specify: Standard colors: White (002), Bone (004), Biscuit (007) Non-Standard colors: Refer to color chart in this book.	N/A	3.93 ft ³	35 lb	\$ 381	\$ 431
141094-000-XXX	Apron- Non-removable solid apron kit Specify: Standard colors: White (002), Bone (004), Biscuit (007) Non-Standard colors: Refer to color chart in this book.	N/A	3.83 ft ³	22 lb	\$ 303	\$ 353

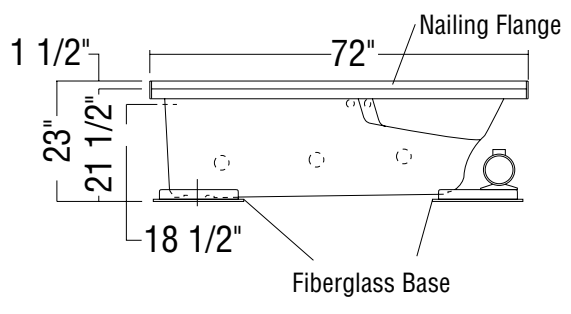
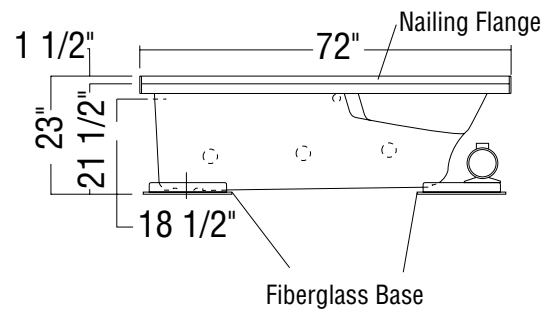
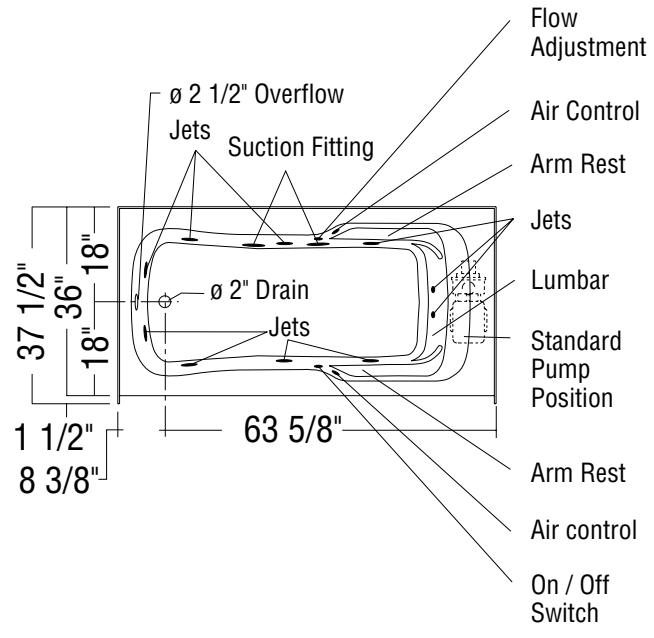
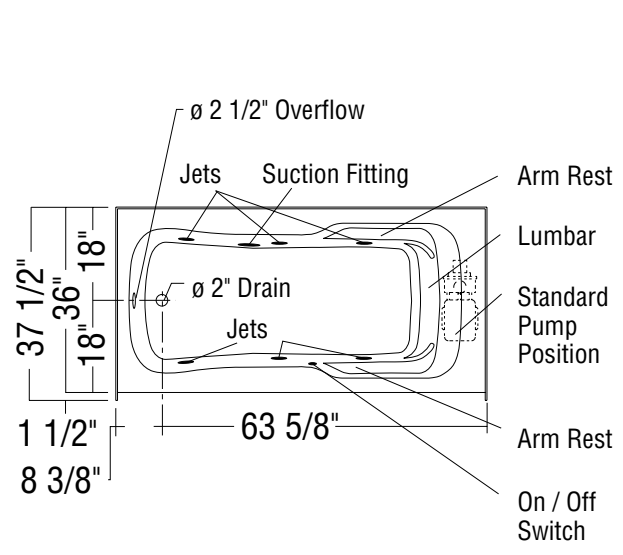
WHIRLPOOL SYSTEM

No	Model	Approx. weight	List Price
XXXXXX-057	Bodywrap system with micro switch ³	35 lb	Add \$ 1,395
XXXXXX-058	Homestead whirlpool system with air switch ² (available only on standard color units)	35 lb	Add \$ 941

COMMON OPTIONS

No	Model	Approx. weight	List Price
OPT 10172	In-line heater (factory-installed)	N/A	Add \$ 439
OPT 10174	Pump position opposite standard position ⁴	N/A	Add \$ 71
OPT 10175-084	Designer Grab Bars Available Color: Chrome (084)	N/A	Add \$ 282
OPT 20139	Ozonator for whirlpool system (factory installed)	N/A	Add \$ 373
OPT 20209-XXX	Trim Kit for Bodywrap Whirlpool (factory installed) Available colors: Chrome (084), Nickel (105)	N/A	No Charge

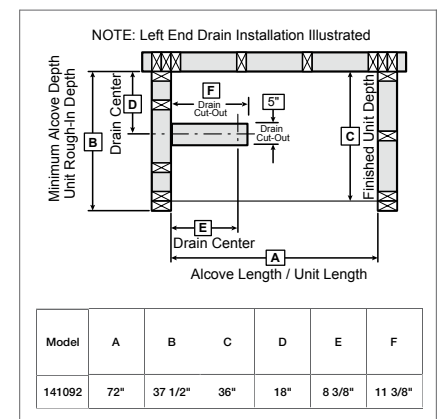
SBF-3672 (cont'd)



6-jet Homestead Collection SBF-3672L
HMS (illustrated)

10-jet Bodywrap System SBF-3672L
BWS (illustrated)

All dimensions are approximate. Structure measurements must be verified against the unit to ensure proper fit.



GT-60

60" x 47 1/2" x 23 1/4" - Gelcoat

Water Capacity: Min: 40 gal. Max: 63 gal.



- 5 1/2 inch wrap around backsplash
- Integrated apron & tiling flange
- Recessed front step with textured surface
- 15 3/4 inch deep sump
- Bottom bathing well: 41 inch L x 24 inch W
- Deck for faucet

RECTANGULAR BATHTUBS



BATHTUB MODEL

No	Model	Dimensions	Pkg	Approx. weight	Std Color(s)	Non-std Color(s)
141083-000-XXX	Bathtub 141083-000-XXX Center drain Specify: Standard colors: White (002), Bone (004), Biscuit (007) Non-standard colors: Refer to color chart in this book.	60 X 47 1/2 X 23 1/4 in.	41.9 ft ³	101 lb	\$ 707	\$ 807

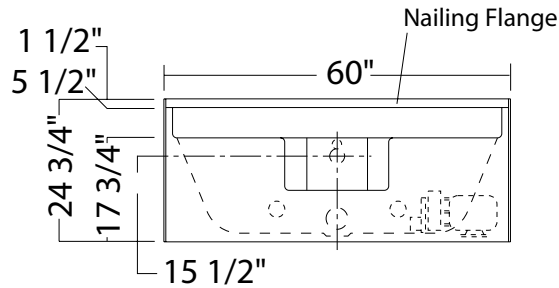
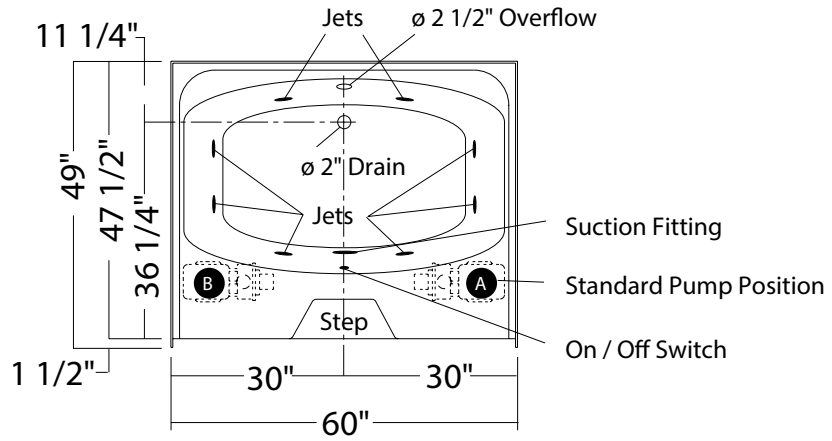
WHIRLPOOL SYSTEM

No	Model	Approx. weight	List Price
XXXXXX-058	Homestead whirlpool system with air switch ² (available only on standard color units)	35 lb	Add \$ 941

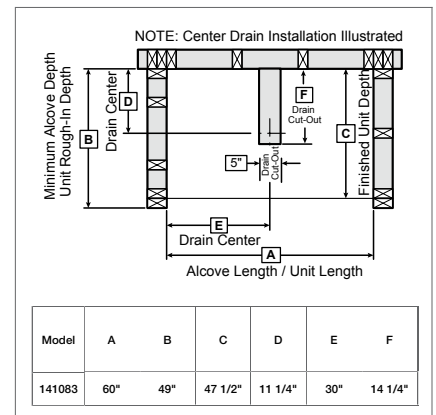
COMMON OPTIONS

No	Model	Approx. weight	List Price
OPT 10172	In-line heater (factory-installed)	N/A	Add \$ 439
OPT 10174	Pump position opposite standard position ⁴	N/A	Add \$ 71

GT-60 (cont'd)



All dimensions are approximate. Structure measurements must be verified against the unit to ensure proper fit.



GT-4860

60" x 47 1/2" x 23 1/2" - Gelcoat

Water Capacity: Min: 49 gal. Max: 98 gal.



- 4 inch wrap around backsplash
- Deck for faucet
- Low-profile front step with textured surface
- 17 1/2 inch deep sump
- Bottom bathing well : 44 1/2 inch L x 35 inch W
- Integrated apron & tiling flange



BATHTUB MODEL

No	Model	Dimensions	Pkg	Approx. weight	Std Color(s)	Non-std Color(s)
141084-000-XXX	Bathtub 141084-R-000-XXX Right-hand drain 141084-L-000-XXX Left-hand drain Specify: Standard colors: White (002), Bone (004), Biscuit (007) Non-standard colors: Refer to color chart in this book.	60 X 47 1/2 X 23 1/2 in.	43.3 ft ³	100 lb	\$ 707	\$ 807

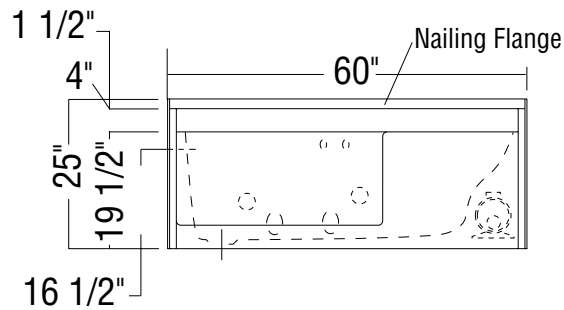
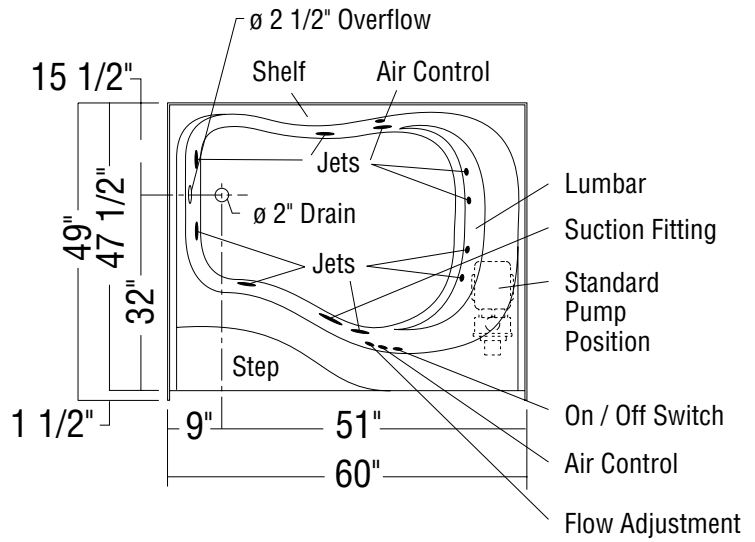
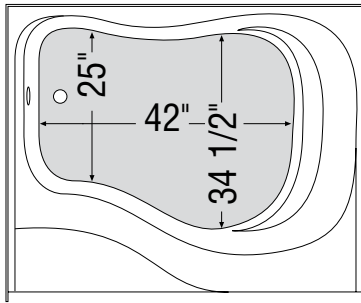
WHIRLPOOL SYSTEM

No	Model	Approx. weight	List Price
XXXXXX-057	Bodywrap system with micro switch ³	35 lb	Add \$ 1,395

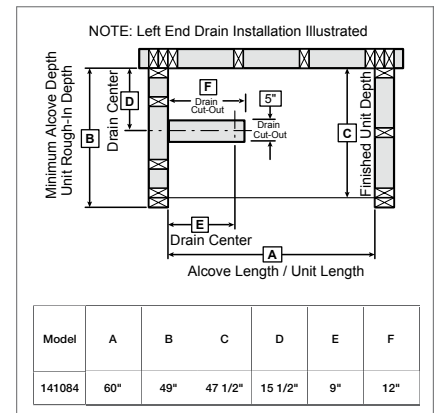
COMMON OPTIONS

No	Model	Approx. weight	List Price
OPT 10172	In-line heater (factory-installed)	N/A	Add \$ 439
OPT 20139	Ozonator for whirlpool system (factory installed)	N/A	Add \$ 373
OPT 10174	Pump position opposite standard position ⁴	N/A	Add \$ 71
OPT 20209-XXX	Trim Kit for Bodywrap Whirlpool (factory installed) Available colors: Chrome (084), Nickel (105)	N/A	No Charge

GT-4860 (cont'd)



All dimensions are approximate. Structure measurements must be verified against the unit to ensure proper fit.



GT-4260

60" x 40 1/2" x 23 1/4" - Gelcoat

Water Capacity: Min: 40 gal. Max: 63 gal.



- 5 1/2 inch wrap around backsplash
- Integrated apron & tiling flange
- Deck for faucet
- 15 3/4 inch deep sump
- Bottom bathing well : 41 1/2 inch L x 24 inch W
- 2 inch Above-the-Floor Rough available

RECTANGULAR BATHTUBS



BATHTUB MODEL

No	Model	Dimensions	Pkg	Approx. weight	Std Color(s)	Non-std Color(s)
141082-000-XXX	Bathtub ⁵ 141082-R-000-XXX Right-hand drain 141082-L-000-XXX Left-hand drain 141082-000-XXX Center drain Specify: Standard colors: White (002), Bone (004), Biscuit (007) Non-standard colors: Refer to color chart in this book.	60 X 40 1/2 X 23 1/4 in.	37.9 ft ³	92 lb	\$ 629	\$ 729
	Bathtub AFR ⁵ 141082-AFR/R-000-XXX Above-the-Floor Rough, right-hand drain 141082-AFR/L-000-XXX Above-the-Floor Rough, left-hand drain 141082-AFR-000-XXX Above-the-Floor Rough, center drain Specify: Standard colors: White (002), Bone (004), Biscuit (007) Non-standard colors: Refer to color chart in this book.					

WHIRLPOOL SYSTEM

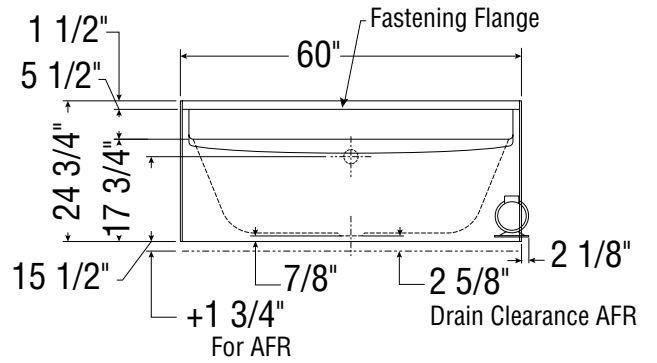
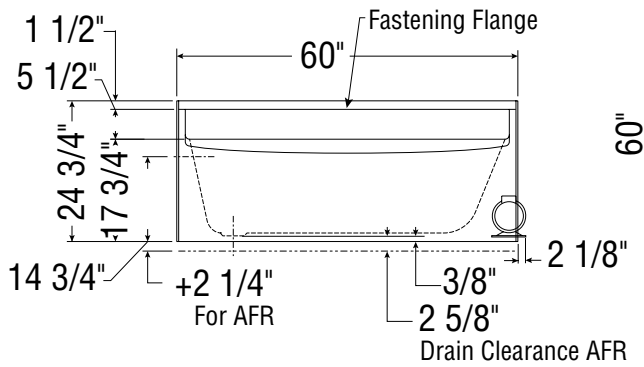
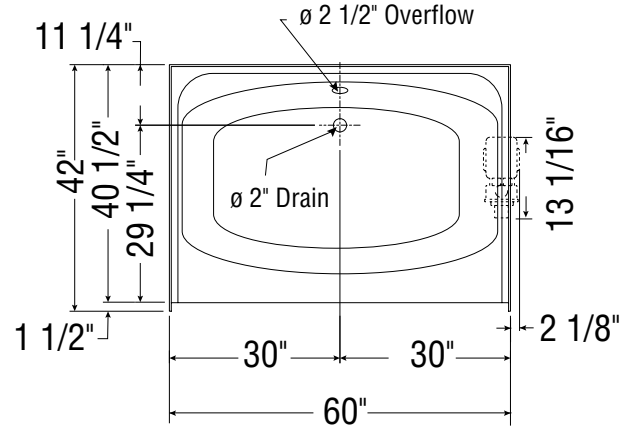
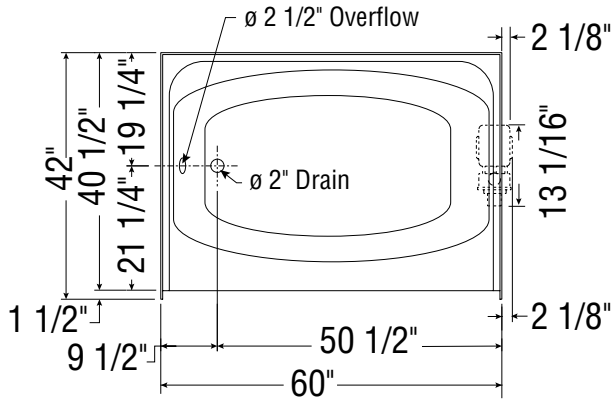
No	Model	Approx. weight	List Price
XXXXXX-058	Homestead whirlpool system with air switch ² (available only on standard color units)	35 lb	Add \$ 941

COMMON OPTIONS

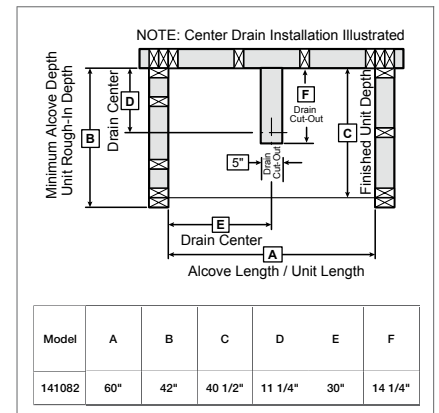
No	Model	Approx. weight	List Price
OPT 10172	In-line heater (factory-installed)	N/A	Add \$ 439
OPT 10174	Pump position opposite standard position ⁴	N/A	Add \$ 71

GT-4260 (cont'd)

GT-4260 R
GT-4260 L (shown)



All dimensions are approximate. Structure measurements must be verified against the unit to ensure proper fit.



GT-4260AP

60" x 42" x 27" - Gelcoat

Water Capacity: Min: 40 gal. Max: 50 gal.



- 5 1/2 inch Wrap around splash
- Deck for faucet
- Center drain
- Alcove installation
- 16 7/8 inch sump



RECTANGULAR BATHTUBS

BATHTUB MODEL

No	Model	Dimensions	Pkg	Approx. weight	Std Color(s)	Non-std Color(s)
141482-000-XXX	Bathtub ⁵ 141482-000-XXX Center drain Specify: Standard colors: White (002), Bone (004), Biscuit (007) Non-standard colors: Refer to color chart in this book.	60 X 42 X 27 in.	37.9 ft ³	92 lb	\$ 629	\$ 729

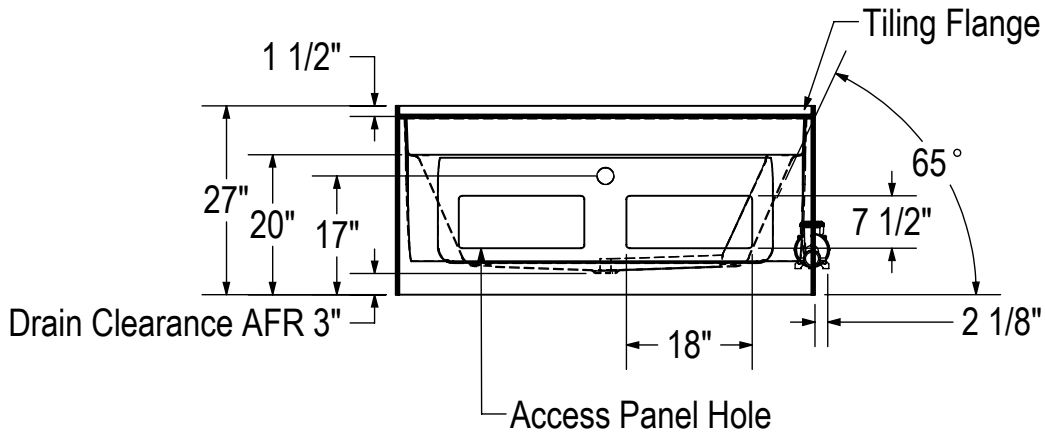
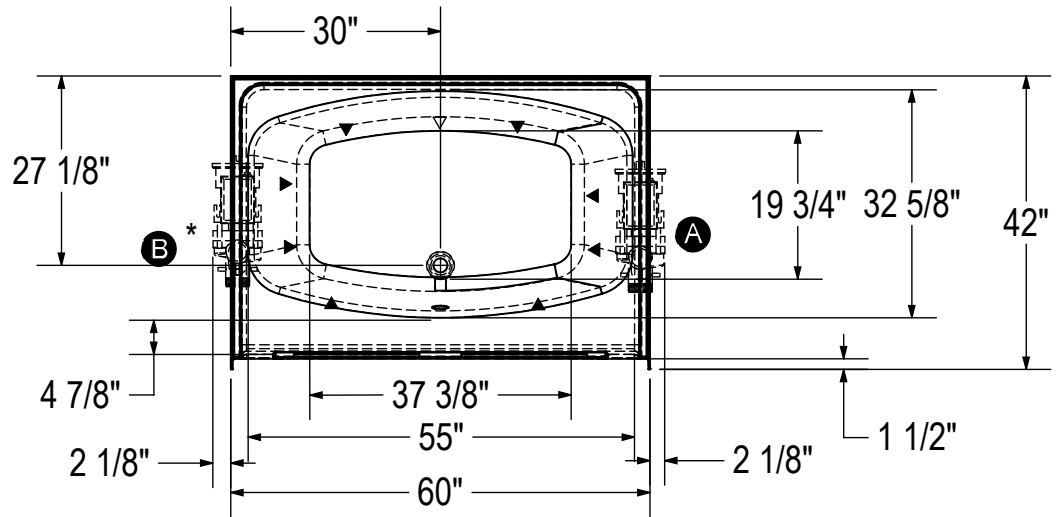
WHIRLPOOL SYSTEM

No	Model	Approx. weight	List Price
XXXXXX-058	Homestead whirlpool system with air switch ² (available only on standard color units)	35 lb	Add \$ 941

COMMON OPTIONS

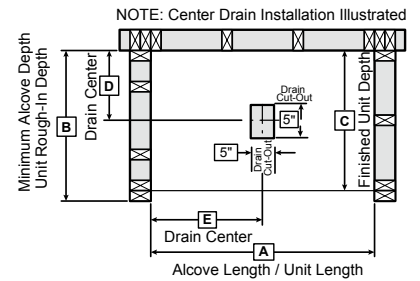
No	Model	Approx. weight	List Price
OPT 10172	In-line heater (factory-installed)	N/A	Add \$ 439
OPT 10174	Pump position opposite standard position ⁴	N/A	Add \$ 71

GT-4260AP (cont'd)



- Ⓐ : Indicate standard pump location
- Ⓑ : Indicate optional pump location *(must order Option in price guide)
- ▲ : Indicates whirlpool jet positioning
- ▽ : Indicates suction positioning

All dimensions are approximate. Structure measurements must be verified against the unit to ensure proper fit.



Model	A	B	C	D	E
141482	60"	42"	40 1/2"	27 1/8"	30"

TO-4260

60" x 41" x 16" - Gelcoat

Water Capacity: Max: 45 gal.

- Meets FHA accessibility requirements
- Integrated tiling flange
- 2 3/4 inch Above-the-Floor Rough available
- Textured floor
- 14 1/2 inch deep sump
- Bottom bathing well : 48 inch L x 26 1/2 inch W



BATHTUB MODEL

No	Model	Dimensions	Pkg	Approx. weight	Std Color(s)	Non-std Color(s)
141354-000-XXX	Bathtub 141354-R-000-XXX Right-hand drain 141354-L-000-XXX Left-hand drain Specify: Standard colors: White (002), Bone (004), Biscuit (007) Non-standard colors: Refer to color chart in this book.	60 X 41 X 16 in.	24.8 ft ³	76 lb	\$ 574	\$ 674

AFR BATHTUB MODEL

No	Model	Dimensions	Pkg	Approx. weight	Std Color(s)	Non-std Color(s)
141355-000-XXX	Bathtub AFR 141355-R-000-XXX Above-the-Floor Rough, right-hand drain 141355-L-000-XXX Above-the-Floor Rough, left-hand drain Specify: Standard colors: White (002), Bone (004), Biscuit (007) Non-standard colors: Refer to color chart in this book.	60 X 41 X 17 3/4 in.	27.3 ft ³	76 lb	\$ 574	\$ 674

BATHTUB MODEL JOB PACK

No	Model	Dimensions	Pkg	Approx. weight	Std Color(s)	Non-std Color(s)
141361-002-XXX	Job Pack of 4 Bathtubs 141361-R-002-XXX Right-hand drain 141361-L-002-XXX Left-hand drain Standard colors only Specify: Standard colors: White (002), Bone (004), Biscuit (007)	60 X 41 X 16 in.	99.2 ft ³	304 lb	\$ 2,216	N/A

TO-4260 (cont'd)

AFR BATHTUB MODEL JOB PACK

No	Model	Dimensions	Pkg	Approx. weight	Std Color(s)	Non-std Color(s)
141362-002-XXX	Job Pack of 4 AFR Bathtubs 141362-R-002-XXX Above-the-Floor Rough, right-hand drain 141362-L-002-XXX Above-the-Floor Rough, left-hand drain Standard colors only Specify: Standard colors: White (002), Bone (004), Biscuit (007)	60 X 41 X 17 3/4 in.	109 ft ³	304 lb	\$ 2,216	N/A

DOORS RECOMMENDED WITH TO-4260

No	Description	Page
134561	Kameleon semi-frameless sliding door 55-59 x 57 in. 6 mm	p. 280
134661	Kameleon SC semi-frameless sliding door 55-59 x 57 in. 6 mm	p. 280
134572	Kameleon semi-frameless sliding door 55-59 x 71 in. 8 mm	p. 280
134675	Kameleon SC semi-frameless sliding door 55-59 x 71 in. 8 mm	p. 280
138400	Triple Plus 3-panel 59 1/2 x 56 in.	p. 286
105410	Polar 2-panel 54-59 1/2 x 57 3/8 in.	p. 286
139398	Halo sliding tub door 56 1/2-59 x 59 in. 8 mm	p. 279
105409	Mika 2-panel 54 - 59 1/2 x 55 in.	p. 285
136300	Decor Plus 2-panel 59 1/2 x 56 in.	p. 285
138994	Luminescence frameless sliding door 56 1/2-59 x 55 1/2 in. 6 mm	p. 281
136270	Duel frameless sliding door 56-59 x 55 1/2 in. 8 mm	p. 277
137500	Edge Tub 30 x 55 1/2 in., 6 mm	p. 278
137501	Edge Square Tub 34 x 58 in., 8 mm	p. 278
137502	Edge Duo Tub 42 x 58 in., 8 mm	p. 278

RECTANGULAR BATHTUBS

You need more information
on MAAX shower doors?

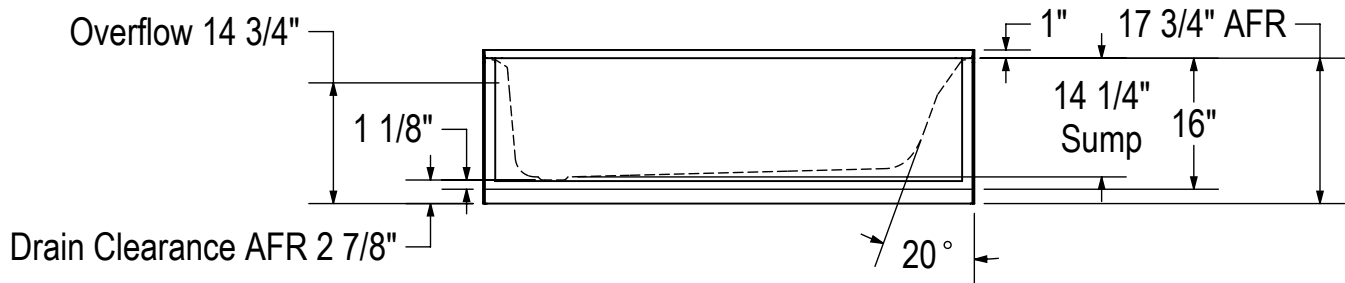
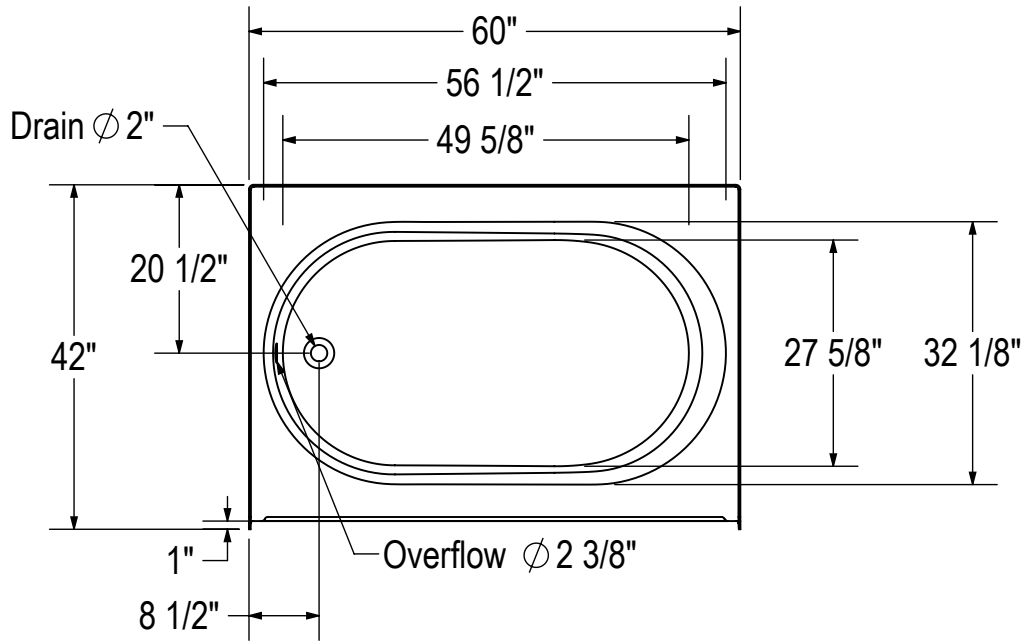


Refer to the
MAAX Professional Price List

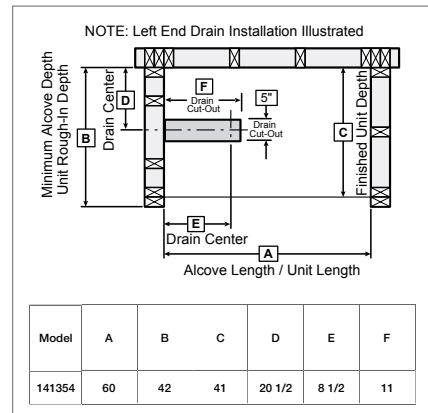


Click or type the link below to download
WWW.MAAX.COM/PARTNERPORTAL

TO-4260 (cont'd)



All dimensions are approximate. Structure measurements must be verified against the unit to ensure proper fit.



SB-3660

60" x 36" x 21 1/2" - Gelcoat

Water Capacity: Min: 42 gal. Max: 84 gal.



- Deep and spacious bathing well
- Backrest with lumbar support
- Armrests
- Deck for faucet
- 20 1/2 inch deep sump
- Bottom bathing well: 45 inch L x 25 inch W



RECTANGULAR BATHTUBS

BATHTUB MODEL

No	Model	Dimensions	Pkg	Approx. weight	Std Color(s)	Non-std Color(s)
141101-000-XXX	Bathtub 141101-000-XXX End drain Specify: Standard colors: White (002), Bone (004), Biscuit (007) Non-standard colors: Refer to color chart in this book.	60 X 36 X 21 1/2 in.	35.3 ft ³	79 lb	\$ 704	\$ 804
141091-000-XXX	Apron- Non-removable solid apron kit Specify: Standard colors: White (002), Bone (004), Biscuit (007) Non-Standard colors: Refer to color chart in this book.	N/A	3.82 ft ³	19 lb	\$ 272	\$ 322
141090-000-XXX	Apron- Removable solid apron kit Specify: Standard colors: White (002), Bone (004), Biscuit (007) Non-Standard colors: Refer to color chart in this book.	N/A	3.52 ft ³	31 lb	\$ 349	\$ 399

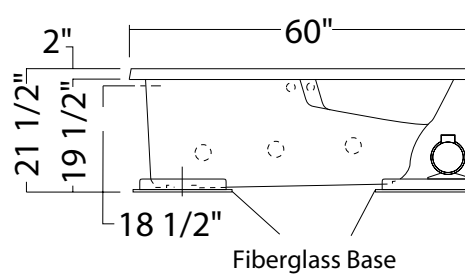
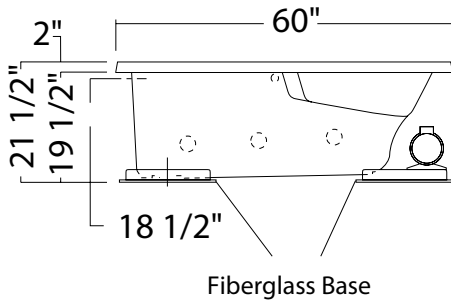
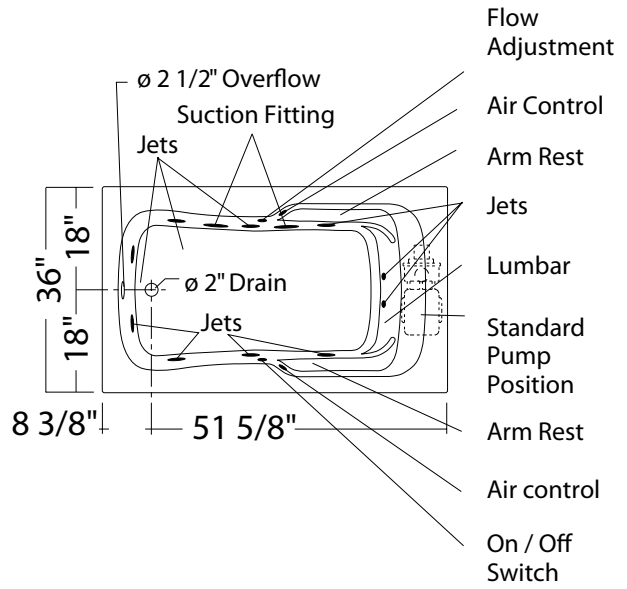
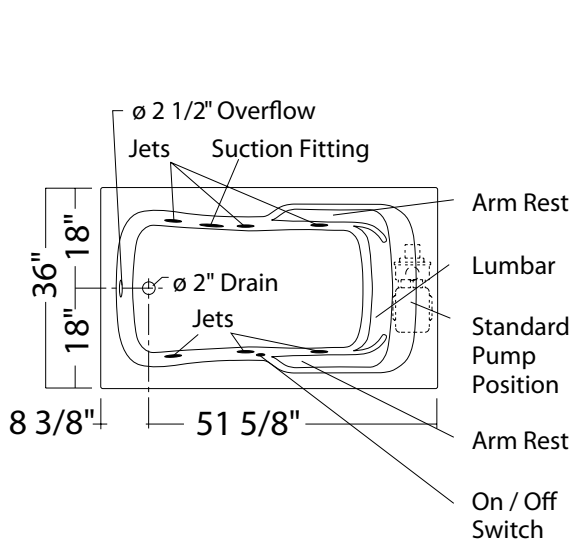
WHIRLPOOL SYSTEM

No	Model	Approx. weight	List Price
XXXXXX-058	Homestead whirlpool system with air switch ² (available only on standard color units)	35 lb	Add \$ 941
XXXXXX-057	Bodywrap system with micro switch ³	35 lb	Add \$ 1,395

COMMON OPTIONS

No	Model	Approx. weight	List Price
OPT 10172	In-line heater (factory-installed)	N/A	Add \$ 439
OPT 10174	Pump position opposite standard position ⁴	N/A	Add \$ 71
OPT 10175-084	Designer Grab Bars Available Color: Chrome (084)	N/A	Add \$ 282
OPT 20139	Ozonator for whirlpool system (factory installed)	N/A	Add \$ 373
OPT 20209-XXX	Trim Kit for Bodywrap Whirlpool (factory installed) Available colors: Chrome (084), Nickel (105)	N/A	No Charge

SB-3660 (cont'd)



6-jet Homestead Collection SB-3660
HMS (illustrated)

10-jet Bodywrap System SB-3660
BWS (illustrated)

All dimensions are approximate. Structure measurements must be verified against the unit to ensure proper fit.

SBA-3660

60" x 36 1/2" x 21 1/4" - Gelcoat

Water Capacity: Min: 42 gal. Max: 84 gal.



- Deep and spacious bathing well
- Integrated apron & tiling flange
- Deck for faucet
- Armrests
- 20 1/2 inch deep sump
- Bottom bathing well: 45 inch L x 25 inch W



BATHTUB MODEL

No	Model	Dimensions	Pkg	Approx. weight	Std Color(s)	Non-std Color(s)
141080-000-XXX	Bathtub 141080-R-000-XXX Right-hand drain 141080-L-000-XXX Left-hand drain Specify: Standard colors: White (002), Bone (004), Biscuit (007) Non-standard colors: Refer to color chart in this book.	60 X 36 1/2 X 21 1/4 in.	31.7 ft ³	86 lb	\$ 704	\$ 804
	Bathtub AFR 141080-AFR/R-000-XXX Above-the-Floor Rough, right-hand drain 141080-AFR/L-000-XXX Above-the-Floor Rough, left-hand drain Specify: Standard colors: White (002), Bone (004), Biscuit (007) Non-standard colors: Refer to color chart in this book.					

WHIRLPOOL SYSTEM

No	Model	Approx. weight	List Price
XXXXXX-058	Homestead whirlpool system with air switch ² (available only on standard color units)	35 lb	Add \$ 941
XXXXXX-057	Bodywrap system with micro switch ³	35 lb	Add \$ 1,395

COMMON OPTIONS

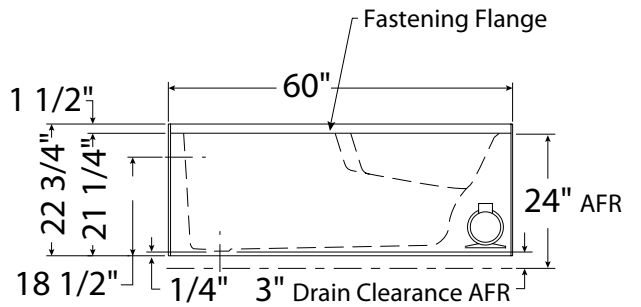
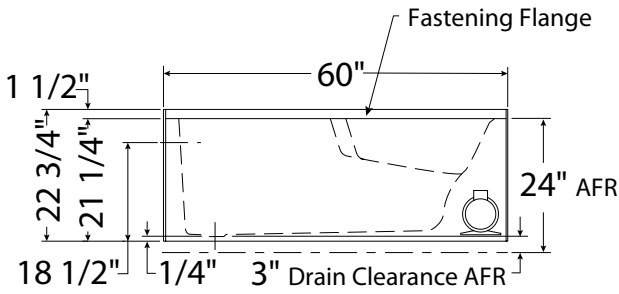
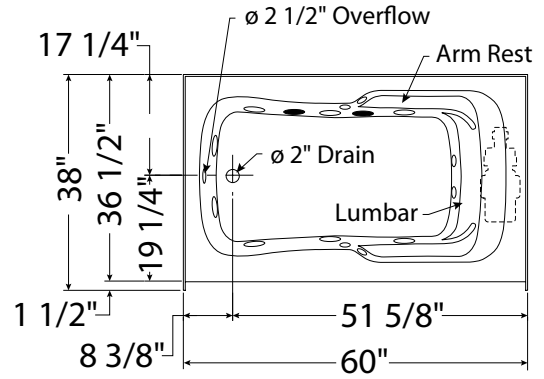
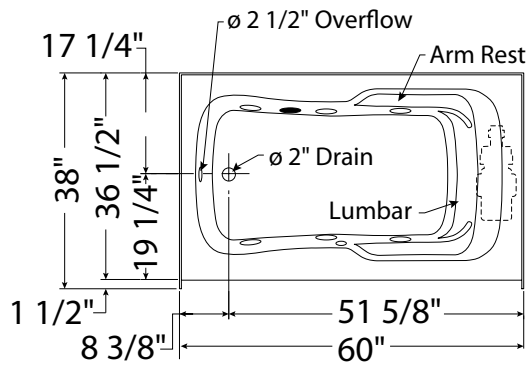
No	Model	Approx. weight	List Price
OPT 10172	In-line heater (factory-installed)	N/A	Add \$ 439
OPT 10174	Pump position opposite standard position ⁴	N/A	Add \$ 71
OPT 20139	Ozonator for whirlpool system (factory installed)	N/A	Add \$ 373
OPT 20209-XXX	Trim Kit for Bodywrap Whirlpool (factory installed) Available colors: Chrome (084), Nickel (105)	N/A	No Charge

SBA-3660 (cont'd)

DOORS RECOMMENDED WITH SBA-3660

No	Description	Page
134561	Kameleon semi-frameless sliding door 55-59 x 57 in. 6 mm	p. 280
134665	Kameleon SC semi-frameless sliding door 55-59 x 71 in. 6 mm	p. 280
134573	Kameleon semi-frameless sliding door 55-59 x 57 in. 8 mm	p. 280
134675	Kameleon SC semi-frameless sliding door 55-59 x 71 in. 8 mm	p. 280
105410	Polar 2-panel 54-59 1/2 x 57 3/8 in.	p. 286
105409	Mika 2-panel 54 - 59 1/2 x 55 in.	p. 285
138400	Triple Plus 3-panel 59 1/2 x 56 in.	p. 286
136300	Decor Plus 2-panel 59 1/2 x 56 in.	p. 285
138994	Luminescence frameless sliding door 56 1/2-59 x 55 1/2 in. 6 mm	p. 281
136270	Duel frameless sliding door 56-59 x 55 1/2 in. 8 mm	p. 277
137500	Edge Tub 30 x 55 1/2 in., 6 mm	p. 278
137501	Edge Square Tub 34 x 58 in., 8 mm	p. 278
137502	Edge Duo Tub 42 x 58 in., 8 mm	p. 278

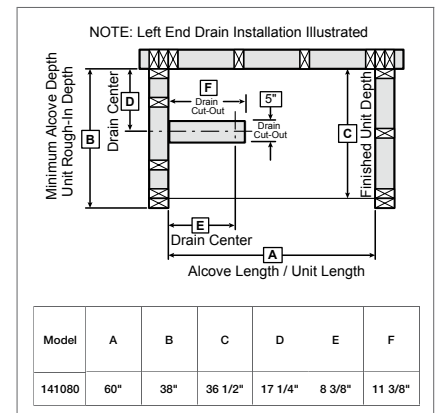
SBA-3660 (cont'd)



6-jet Homestead System SBA-3660L
HMS (illustrated)

10-jet Bodywrap System SBA-3660L
BWS (illustrated)

All dimensions are approximate. Structure measurements must be verified against the unit to ensure proper fit.



SBF-3660

60" x 36 1/2" x 21 1/4" - Gelcoat

Water Capacity: Min: 42 gal. Max: 84 gal.



- Deep and spacious bathing well
- Integrated tiling flange
- Armrests
- Deck for faucet
- 20 1/2 inch deep sump
- Bottom bathing well: 45 inch L x 25 inch W



BATHTUB MODEL

No	Model	Dimensions	Pkg	Approx. weight	Std Color(s)	Non-std Color(s)
141089-000-XXX	Bathtub 141089-R-000-XXX Right-hand drain 141089-L-000-XXX Left-hand drain Specify: Standard colors: White (002), Bone (004), Biscuit (007) Non-standard colors: Refer to color chart in this book.	60 X 36 1/2 X 21 1/4 in.	34.2 ft ³	79 lb	\$ 704	\$ 804
141090-000-XXX	Apron- Removable solid apron kit Specify: Standard colors: White (002), Bone (004), Biscuit (007) Non-Standard colors: Refer to color chart in this book.	N/A	3.52 ft ³	31 lb	\$ 349	\$ 399
141091-000-XXX	Apron- Non-removable solid apron kit Specify: Standard colors: White (002), Bone (004), Biscuit (007) Non-Standard colors: Refer to color chart in this book.	N/A	3.82 ft ³	19 lb	\$ 272	\$ 322

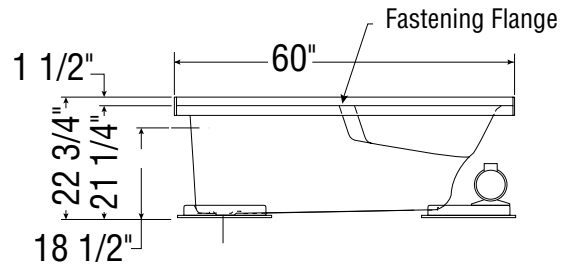
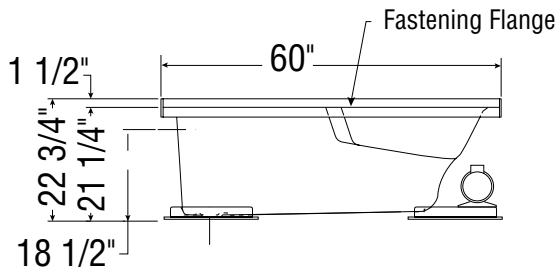
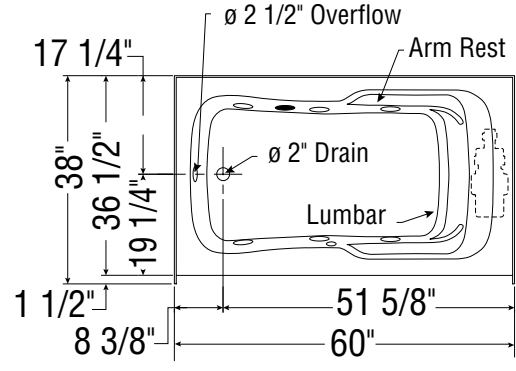
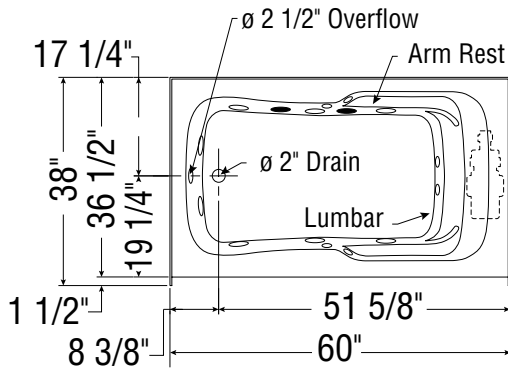
WHIRLPOOL SYSTEM

No	Model	Approx. weight	List Price
XXXXXX-058	Homestead whirlpool system with air switch ² (available only on standard color units)	35 lb	Add \$ 941
XXXXXX-057	Bodywrap system with micro switch ³	35 lb	Add \$ 1,395

COMMON OPTIONS

No	Model	Approx. weight	List Price
OPT 10172	In-line heater (factory-installed)	N/A	Add \$ 439
OPT 10174	Pump position opposite standard position ⁴	N/A	Add \$ 71
OPT 10175-084	Designer Grab Bars Available Color: Chrome (084)	N/A	Add \$ 282
OPT 20139	Ozonator for whirlpool system (factory installed)	N/A	Add \$ 373
OPT 20209-XXX	Trim Kit for Bodywrap Whirlpool (factory installed) Available colors: Chrome (084), Nickel (105)	N/A	No Charge

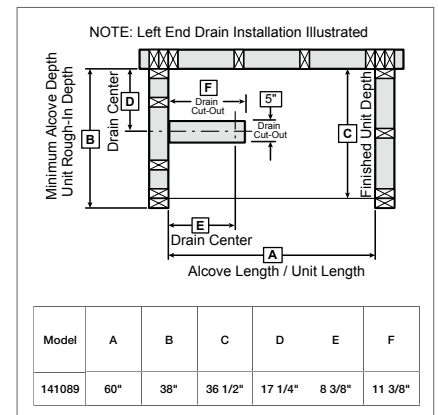
SBF-3660 (cont'd)



6-jet Homestead System SBF-3660L
HMS (illustrated)

10-jet Bodywrap System SBF-3660L
BWS (illustrated)

All dimensions are approximate. Structure measurements must be verified against the unit to ensure proper fit.



TO-3660

60" x 36" x 16" - Gelcoat

Water Capacity: Max: 46 gal.

- Meets FHA accessibility requirements
- Integrated tiling flange
- 2 3/4 inch Above-the-Floor Rough available
- Textured floor
- 14 1/4 inch deep sump
- Bottom bathing well : 45 1/2 inch L x 23 1/2 inch W

RECTANGULAR BATHTUBS



BATHTUB MODEL

No	Model	Dimensions	Pkg	Approx. weight	Std Color(s)	Non-std Color(s)
141352-000-XXX	Bathtub 141352-R-000-XXX Right-hand drain 141352-L-000-XXX Left-hand drain Specify: Standard colors: White (002), Bone (004), Biscuit (007) Non-standard colors: Refer to color chart in this book.	60 X 36 X 16 in.	21.8 ft ³	70 lb	\$ 551	\$ 651

AFR BATHTUB MODEL

No	Model	Dimensions	Pkg	Approx. weight	Std Color(s)	Non-std Color(s)
141353-000-XXX	Bathtub AFR 141353-R-000-XXX Above-the-Floor Rough, right-hand drain 141353-L-000-XXX Above-the-Floor Rough, left-hand drain Specify: Standard colors: White (002), Bone (004), Biscuit (007) Non-standard colors: Refer to color chart in this book.	60 X 36 X 17 3/4 in.	24.1 ft ³	70 lb	\$ 551	\$ 651

BATHTUB MODEL JOB PACK

No	Model	Dimensions	Pkg	Approx. weight	Std Color(s)	Non-std Color(s)
141359-002-XXX	Job Pack of 8 Bathtubs 141359-R-002-XXX Right-hand drain 141359-L-002-XXX Left-hand drain Standard colors only Specify: Standard colors: White (002), Bone (004), Biscuit (007)	60 X 36 X 16 in.	174 ft ³	560 lb	\$ 4,248	N/A

TO-3660 (cont'd)

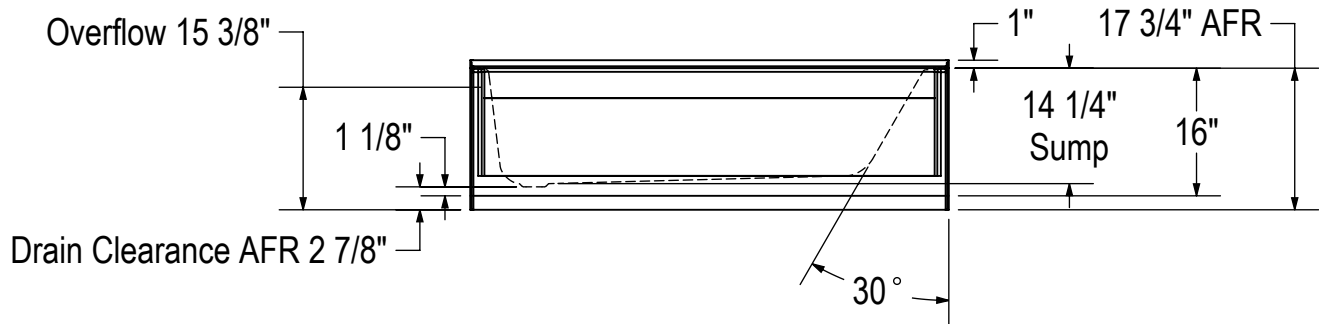
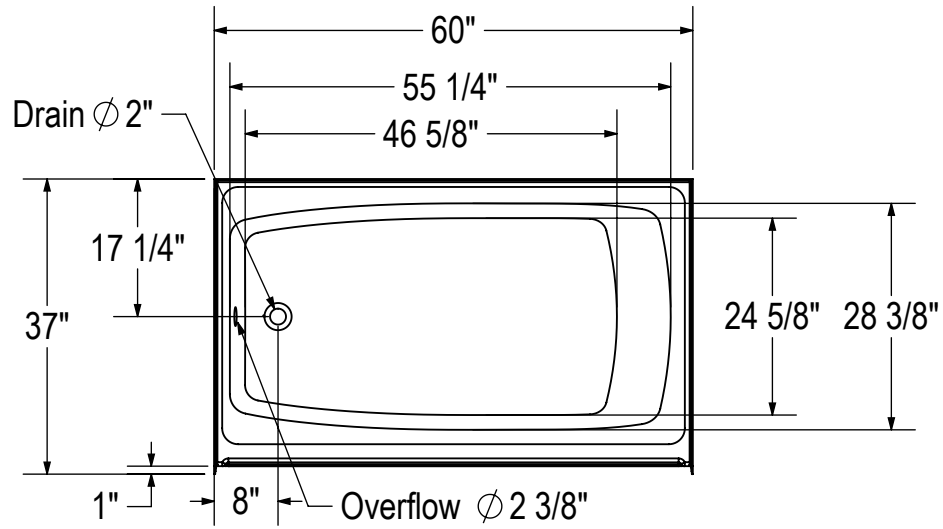
AFR BATHTUB MODEL JOB PACK

No	Model	Dimensions	Pkg	Approx. weight	Std Color(s)	Non-std Color(s)
141360-002-XXX	Job Pack of 8 AFR Bathtubs 141360-R-002-XXX Above-the-Floor Rough, right-hand drain 141360-L-002-XXX Above-the-Floor Rough, left-hand drain Standard colors only Specify: Standard colors: White (002), Bone (004), Biscuit (007)	60 X 36 X 17 3/4 in.	193 ft ³	560 lb	\$ 4,248	N/A

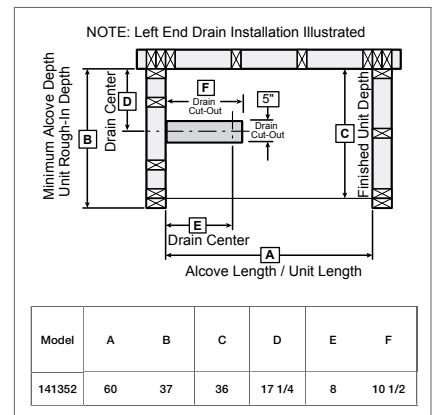
DOORS RECOMMENDED WITH TO-3660

No	Description	Page
134561	Kameleon semi-frameless sliding door 55-59 x 57 in. 6 mm	p. 280
134661	Kameleon SC semi-frameless sliding door 55-59 x 57 in. 6 mm	p. 280
134573	Kameleon semi-frameless sliding door 55-59 x 57 in. 8 mm	p. 280
134670	Kameleon SC semi-frameless sliding door 55-59 x 57 in. 8 mm	p. 280
139398	Halo sliding tub door 56 1/2-59 x 59 in. 8 mm	p. 279
105412	Polar 2-panel 54-59 1/2 x 68 in.	p. 286
105409	Mika 2-panel 54 - 59 1/2 x 55 in.	p. 285
138400	Triple Plus 3-panel 59 1/2 x 56 in.	p. 286
136300	Decor Plus 2-panel 59 1/2 x 56 in.	p. 285
138994	Luminescence frameless sliding door 56 1/2-59 x 55 1/2 in. 6 mm	p. 281
136270	Duel frameless sliding door 56-59 x 55 1/2 in. 8 mm	p. 277
137500	Edge Tub 30 x 55 1/2 in., 6 mm	p. 278
137501	Edge Square Tub 34 x 58 in., 8 mm	p. 278
137502	Edge Duo Tub 42 x 58 in., 8 mm	p. 278

TO-3660 (cont'd)



All dimensions are approximate. Structure measurements must be verified against the unit to ensure proper fit.



TOF-3260

59 3/4" x 32" x 19 1/8" - Gelcoat

Water Capacity: Min: 30.6 gal. Max: 38.6 gal.



- 3 inch Wrap around backsplash
- Tile adaptor required for door installation
- Integrated apron and tiling flange
- 3 3/8 inch Above-the-Floor Rough available
- Textured floor
- Right or left drain



RECTANGULAR BATHTUBS

BATHTUB MODEL						
No	Model	Dimensions	Pkg	Approx. weight	Std Color(s)	Non-std Color(s)
142014-000-XXX	Bathtub 142014-R-000-XXX Right-hand drain 142014-L-000-XXX Left-hand drain Specify: Standard colors: White (002), Bone (004), Biscuit (007) Non-standard colors: Refer to color chart in this book.	59 3/4 X 32 X 19 1/8 in.	28 ft ³	52 lb	\$ 626	\$ 726

AFR BATHTUB MODEL						
No	Model	Dimensions	Pkg	Approx. weight	Std Color(s)	Non-std Color(s)
142015-000-XXX	Bathtub AFR 142015-R-000-XXX Above-the-Floor Rough, right-hand drain 142015-L-000-XXX Above-the-Floor Rough, left-hand drain Specify: Standard colors: White (002), Bone (004), Biscuit (007) Non-standard colors: Refer to color chart in this book.	59 3/4 X 32 X 21 1/2 in.	28 ft ³	52 lb	\$ 626	\$ 726

WHIRLPOOL SYSTEM

No	Model	Approx. weight	List Price
XXXXXX-058	Homestead whirlpool system with air switch ² (available only on standard color units)	35 lb	Add \$ 941

COMMON OPTIONS

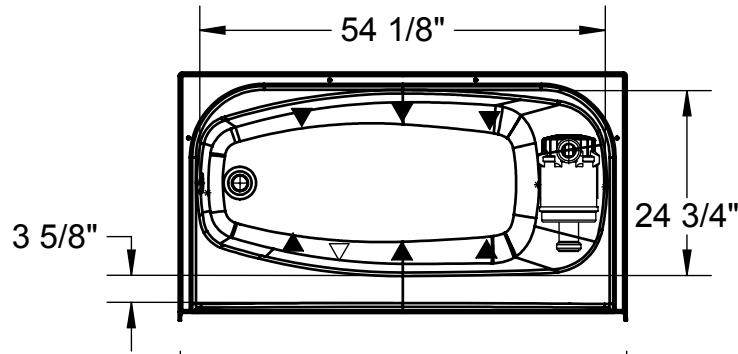
No	Model	Approx. weight	List Price
OPT 10174	Pump position opposite standard position ⁴	N/A	Add \$ 71
OPT 10172	In-line heater (factory-installed)	N/A	Add \$ 439

ACCESSORIES

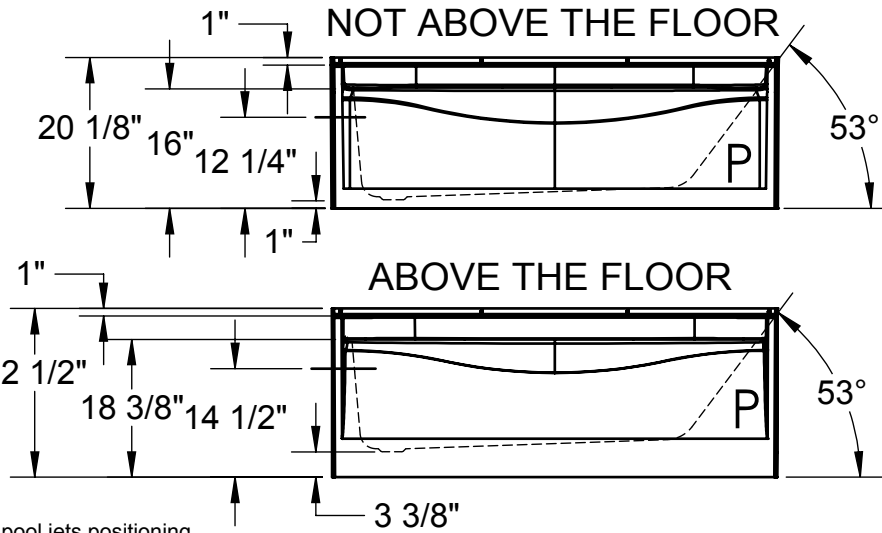
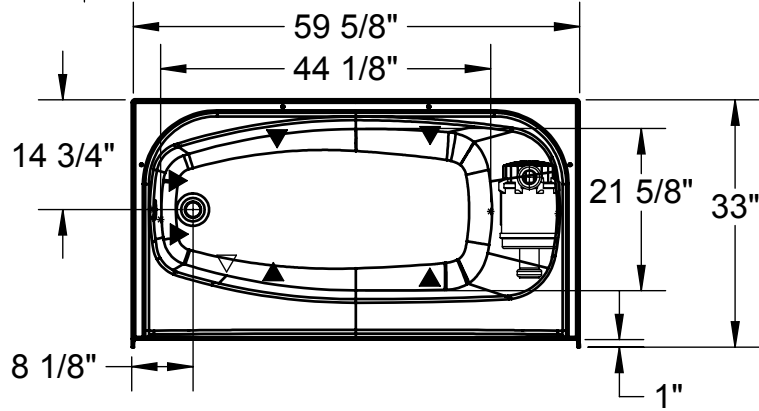
No	Model	Approx. weight	List Price
10024636-XXX	Tile Adaptor (for door installation) Available colors: White (002), Bone (004) and Biscuit (007)	10 lb	\$ 127

TOF-3260 (cont'd)

HOMESTEAD SYSTEM



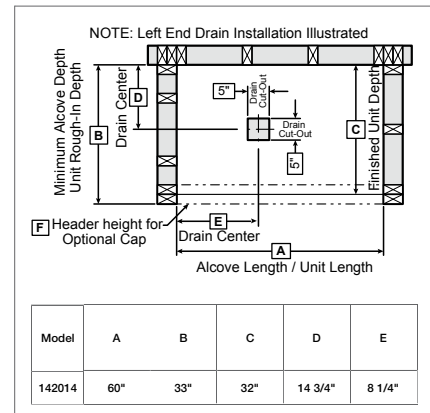
WHIRLPOOL SYSTEM



(▲) : Indicates whirlpool jets positioning

(△) : Indicates suction positioning

All dimensions are approximate. Structure measurements must be verified against the unit to ensure proper fit.



TO-3260

60" x 32" x 16" - Gelcoat

Water Capacity: Max: 39 gal.

- Meets FHA accessibility requirements
- Integrated tiling flange
- 2 3/4 inch Above-the-Floor Rough available
- Textured floor
- 14 1/4 inch deep sump
- Bottom bathing well: 45 inch L x 19 1/4 inch W



RECTANGULAR BATHTUBS

BATHTUB MODEL

No	Model	Dimensions	Pkg	Approx. weight	Std Color(s)	Non-std Color(s)
141350-000-XXX	Bathtub 141350-R-000-XXX Right-hand drain 141350-L-000-XXX Left-hand drain Specify: Standard colors: White (002), Bone (004), Biscuit (007) Non-standard colors: Refer to color chart in this book.	60 X 32 X 16 in.	19.5 ft ³	65 lb	\$ 464	\$ 564

AFR BATHTUB MODEL

No	Model	Dimensions	Pkg	Approx. weight	Std Color(s)	Non-std Color(s)
141351-000-XXX	Bathtub AFR 141351-R-000-XXX Above-the-Floor Rough, right-hand drain 141351-L-000-XXX Above-the-Floor Rough, left-hand drain Specify: Standard colors: White (002), Bone (004), Biscuit (007) Non-standard colors: Refer to color chart in this book.	60 X 32 X 17 3/4 in.	21.5 ft ³	65 lb	\$ 464	\$ 564

BATHTUB MODEL JOB PACK

No	Model	Dimensions	Pkg	Approx. weight	Std Color(s)	Non-std Color(s)
141357-002-XXX	Job Pack of 12 Bathtubs 141357-R-002-XXX Right-hand drain 141357-L-002-XXX Left-hand drain Standard colors only Specify: Standard colors: White (002), Bone (004), Biscuit (007)	60 X 32 X 16 in.	234 ft ³	780 lb	\$ 5,364	N/A

TO-3260 (cont'd)

AFR BATHTUB MODEL JOB PACK

No	Model	Dimensions	Pkg	Approx. weight	Std Color(s)	Non-std Color(s)
141358-002-XXX	Job Pack of AFR 12 Bathtubs 141358-R-002-XXX Above-the-Floor Rough, right-hand drain 141358-L-002-XXX Above-the-Floor Rough, left-hand drain Standard colors only Specify: Standard colors: White (002), Bone (004), Biscuit (007)	60 X 32 X 17 3/4 in.	258 ft ³	780 lb	\$ 5,364	N/A

DOORS RECOMMENDED WITH TO-3260

No	Description	Page
134561	Kameleon semi-frameless sliding door 55-59 x 57 in. 6 mm	p. 280
134661	Kameleon SC semi-frameless sliding door 55-59 x 57 in. 6 mm	p. 280
134573	Kameleon semi-frameless sliding door 55-59 x 57 in. 8 mm	p. 280
134670	Kameleon SC semi-frameless sliding door 55-59 x 57 in. 8 mm	p. 280
139398	Halo sliding tub door 56 1/2-59 x 59 in. 8 mm	p. 279
105410	Polar 2-panel 54-59 1/2 x 57 3/8 in.	p. 286
105409	Mika 2-panel 54 - 59 1/2 x 55 in.	p. 285
138400	Triple Plus 3-panel 59 1/2 x 56 in.	p. 286
136300	Decor Plus 2-panel 59 1/2 x 56 in.	p. 285
138994	Luminescence frameless sliding door 56 1/2-59 x 55 1/2 in. 6 mm	p. 281
136270	Duel frameless sliding door 56-59 x 55 1/2 in. 8 mm	p. 277
137500	Edge Tub 30 x 55 1/2 in., 6 mm	p. 278
137501	Edge Square Tub 34 x 58 in., 8 mm	p. 278
137502	Edge Duo Tub 42 x 58 in., 8 mm	p. 278

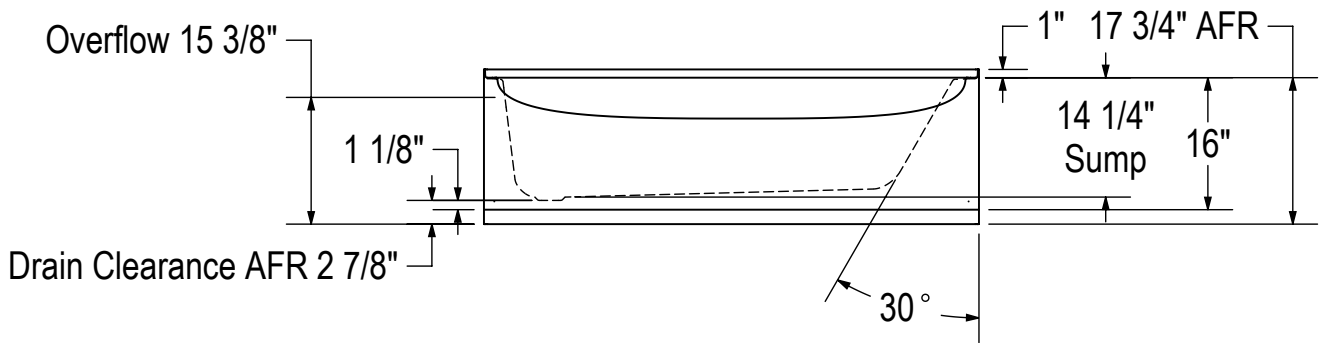
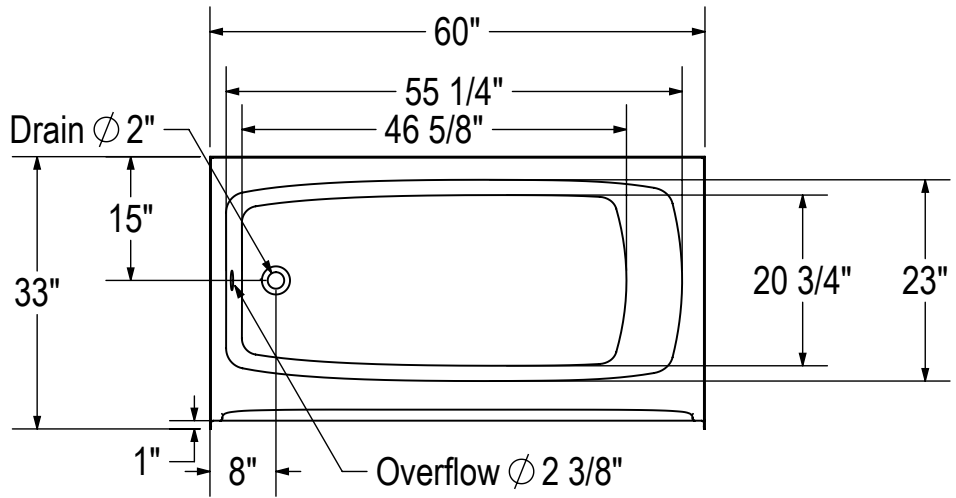
ABOVE-THE-FLOOR ROUGH, WHAT DOES IT MEAN FOR YOU?

Above-the-Floor Rough or AFR means there is enough space to pipe directly under the bathtub without having to relocate the existing drain. What does this mean for you?

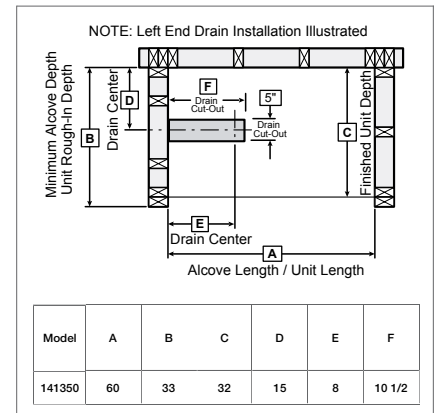
Less time and hassle on the job.



TO-3260 (cont'd)



All dimensions are approximate. Structure measurements must be verified against the unit to ensure proper fit.



SB-3260

60" x 32" x 21 1/2" - Gelcoat

Water Capacity: Min: 37 gal. Max: 74 gal.



- Deep bathing well
- Backrest with lumbar support
- Armrests
- Deck for faucet
- 20 1/2 inch deep sump
- Bottom bathing well: 45 inch L x 21 inch W

RECTANGULAR BATHTUBS



BATHTUB MODEL

No	Model	Dimensions	Pkg	Approx. weight	Std Color(s)	Non-std Color(s)
141099-000-XXX	Bathtub 141099-000-XXX End drain Specify: Standard colors: White (002), Bone (004), Biscuit (007) Non-standard colors: Refer to color chart in this book.	60 X 32 X 21 1/2 in.	31 ft ³	72 lb	\$ 664	\$ 764
141091-000-XXX	Apron- Non-removable solid apron kit Specify: Standard colors: White (002), Bone (004), Biscuit (007) Non-Standard colors: Refer to color chart in this book.	N/A	3.82 ft ³	19 lb	\$ 272	\$ 322
141090-000-XXX	Apron- Removable solid apron kit Specify: Standard colors: White (002), Bone (004), Biscuit (007) Non-Standard colors: Refer to color chart in this book.	N/A	3.52 ft ³	31 lb	\$ 349	\$ 399

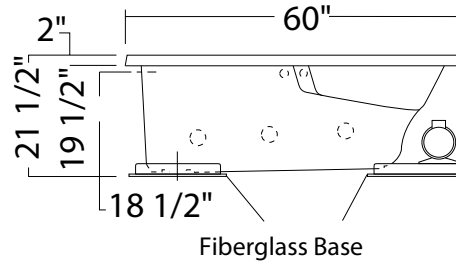
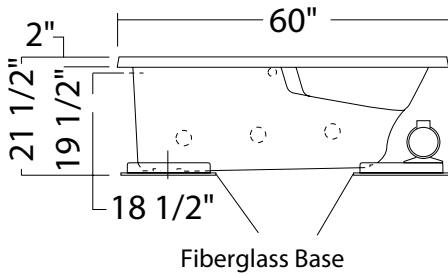
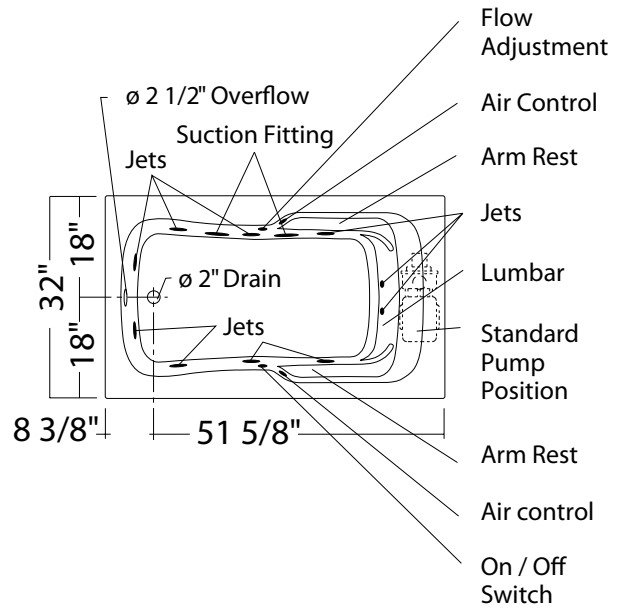
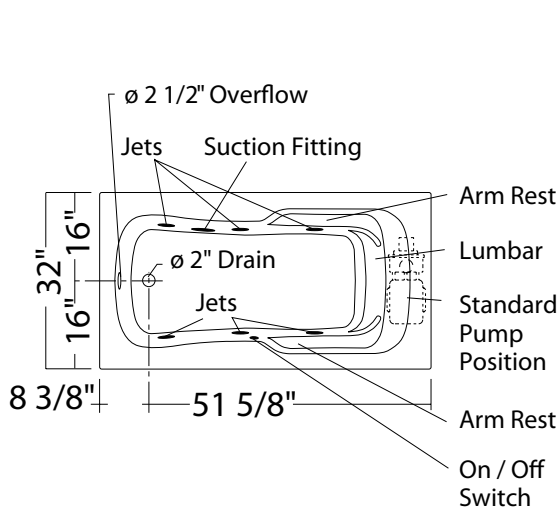
WHIRLPOOL SYSTEM

No	Model	Approx. weight	List Price
XXXXXX-058	Homestead whirlpool system with air switch ² (available only on standard color units)	35 lb	Add \$ 941
XXXXXX-057	Bodywrap system with micro switch ³	35 lb	Add \$ 1,395

COMMON OPTIONS

No	Model	Approx. weight	List Price
OPT 10172	In-line heater (factory-installed)	N/A	Add \$ 439
OPT 10174	Pump position opposite standard position ⁴	N/A	Add \$ 71
OPT 10175-084	Designer Grab Bars Available Color: Chrome (084)	N/A	Add \$ 282
OPT 20139	Ozonator for whirlpool system (factory installed)	N/A	Add \$ 373
OPT 20209-XXX	Trim Kit for Bodywrap Whirlpool (factory installed) Available colors: Chrome (084), Nickel (105)	N/A	No Charge

SB-3260 (cont'd)



6-jet Homestead Collection SB-3260
HMS (illustrated)

10-jet Bodywrap System SB-3260
BWS (illustrated)

All dimensions are approximate. Structure measurements must be verified against the unit to ensure proper fit.

SBA-3260

60" x 32 1/2" x 21 1/4" - Gelcoat

Water Capacity: Min: 37 gal. Max: 74 gal.



- Deep and spacious bathing well
- Integrated apron & tiling flange
- Deck for faucet
- Armrests
- 20 1/2 inch deep sump
- Bottom bathing well: 45 inch L x 21 inch W

RECTANGULAR BATHTUBS



BATHTUB MODEL

No	Model	Dimensions	Pkg	Approx. weight	Std Color(s)	Non-std Color(s)
141079-000-XXX	Bathtub 141079-R-000-XXX Right-hand drain 141079-L-000-XXX Left-hand drain Specify: Standard colors: White (002), Bone (004), Biscuit (007) Non-standard colors: Refer to color chart in this book.	60 X 32 1/2 X 21 1/4 in.	28.3 ft ³	83 lb	\$ 664	\$ 764

WHIRLPOOL SYSTEM

No	Model	Approx. weight	List Price
XXXXXX-058	Homestead whirlpool system with air switch ² (available only on standard color units)	35 lb	Add \$ 941
XXXXXX-057	Bodywrap system with micro switch ³	35 lb	Add \$ 1,395

COMMON OPTIONS

No	Model	Approx. weight	List Price
OPT 10172	In-line heater (factory-installed)	N/A	Add \$ 439
OPT 10174	Pump position opposite standard position ⁴	N/A	Add \$ 71
OPT 20139	Ozonator for whirlpool system (factory installed)	N/A	Add \$ 373
OPT 20209-XXX	Trim Kit for Bodywrap Whirlpool (factory installed) Available colors: Chrome (084), Nickel (105)	N/A	No Charge

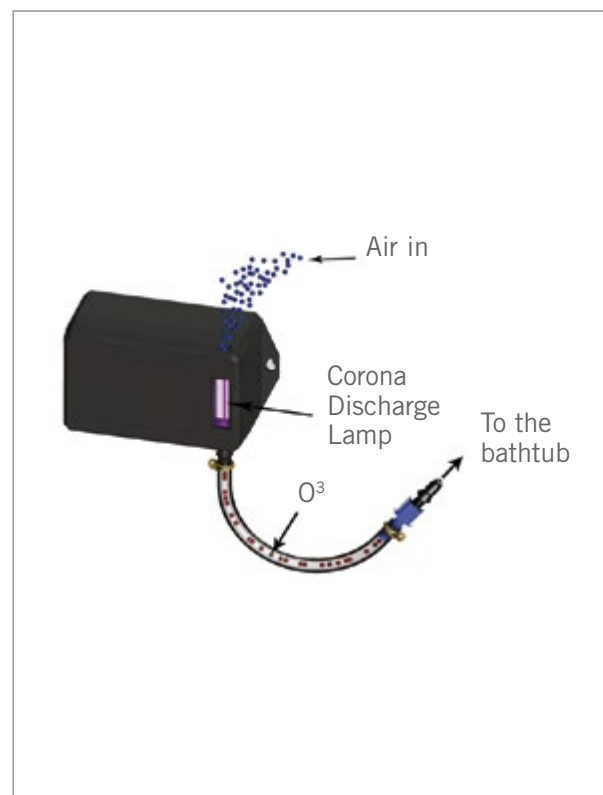
SBA-3260 (cont'd)

DOORS RECOMMENDED WITH SBA-3260

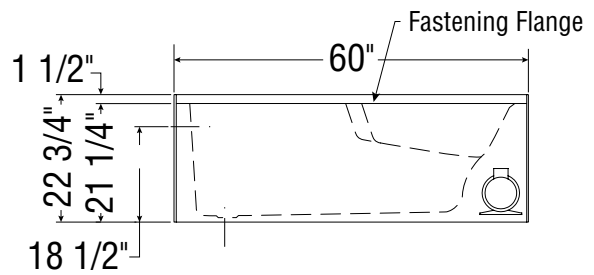
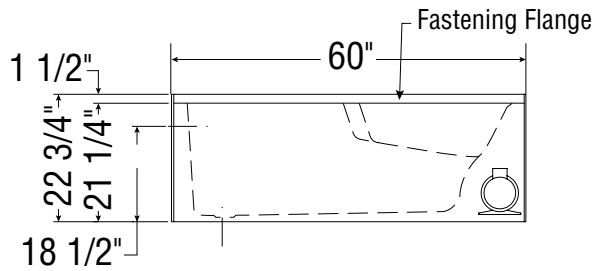
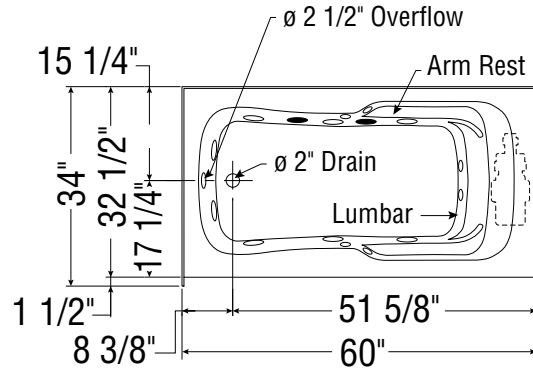
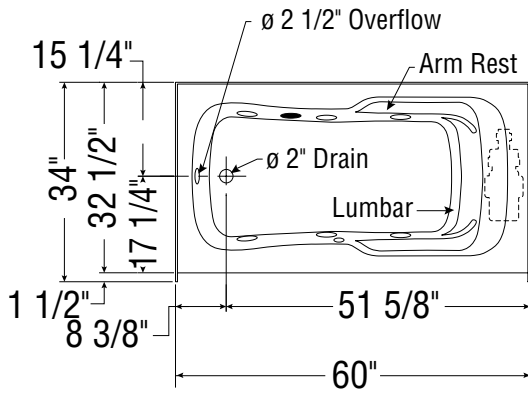
No	Description	Page
134561	Kameleon semi-frameless sliding door 55-59 x 57 in. 6 mm	p. 280
134661	Kameleon SC semi-frameless sliding door 55-59 x 57 in. 6 mm	p. 280
134573	Kameleon semi-frameless sliding door 55-59 x 57 in. 8 mm	p. 280
134670	Kameleon SC semi-frameless sliding door 55-59 x 57 in. 8 mm	p. 280
105410	Polar 2-panel 54-59 1/2 x 57 3/8 in.	p. 286
105409	Mika 2-panel 54 - 59 1/2 x 55 in.	p. 285
138400	Triple Plus 3-panel 59 1/2 x 56 in.	p. 286
136300	Decor Plus 2-panel 59 1/2 x 56 in.	p. 285
138994	Luminescence frameless sliding door 56 1/2-59 x 55 1/2 in. 6 mm	p. 281
136270	Duel frameless sliding door 56-59 x 55 1/2 in. 8 mm	p. 277
139398	Halo sliding tub door 56 1/2-59 x 59 in. 8 mm	p. 279
137500	Edge Tub 30 x 55 1/2 in., 6 mm	p. 278
137501	Edge Square Tub 34 x 58 in., 8 mm	p. 278
137502	Edge Duo Tub 42 x 58 in., 8 mm	p. 278

PURIFY THE AIR AND WATER FROM THEIR TOXINS

O₃ AKER now offers the **Ozonator for Whirlpool System** in keeping with its promise to design innovative customer solution. This technology neutralizes unhealthy micro-organisms like bacteria and mold, thus making the bathing experience safe and fresh.



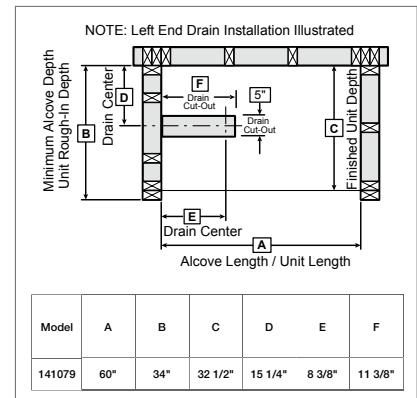
SBA-3260 (cont'd)



6-jet Homestead Collection SBA-3260L
HMS (illustrated)

10-jet Bodywrap Collection SBA-3260L
BWS (illustrated)

All dimensions are approximate. Structure measurements must be verified against the unit to ensure proper fit.



SBF-3260

60" x 32" x 21 1/2" - Gelcoat

Water Capacity: Min: 37 gal. Max: 74 gal.



- Deep bathing well
- Integrated tiling flange
- Deck for fauce
- Armrests
- 20 1/2 inch deep sump
- Bottom bathing well: 45 inch L x 21 inch W



RECTANGULAR BATHTUBS

BATHTUB MODEL

No	Model	Dimensions	Pkg	Approx. weight	Std Color(s)	Non-std Color(s)
141088-000-XXX	Bathtub 141088-R-000-XXX Right-hand drain 141088-L-000-XXX Left-hand drain Specify: Standard colors: White (002), Bone (004), Biscuit (007) Non-standard colors: Refer to color chart in this book.	60 X 32 X 21 1/2 in.	29.7 ft ³	73 lb	\$ 664	\$ 764
141090-000-XXX	Apron- Removable solid apron kit Specify: Standard colors: White (002), Bone (004), Biscuit (007) Non-Standard colors: Refer to color chart in this book.	N/A	3.52 ft ³	31 lb	\$ 349	\$ 399
141091-000-XXX	Apron- Non-removable solid apron kit Specify: Standard colors: White (002), Bone (004), Biscuit (007) Non-Standard colors: Refer to color chart in this book.	N/A	3.82 ft ³	19 lb	\$ 272	\$ 322

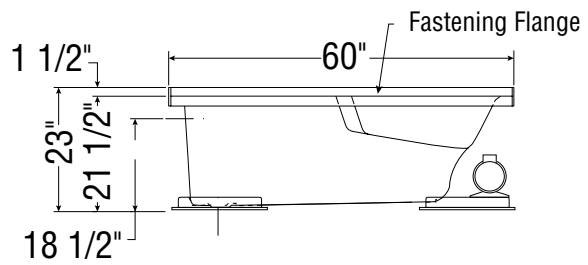
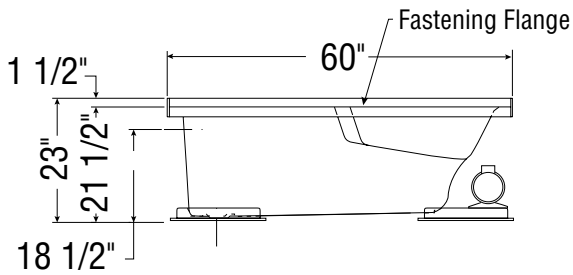
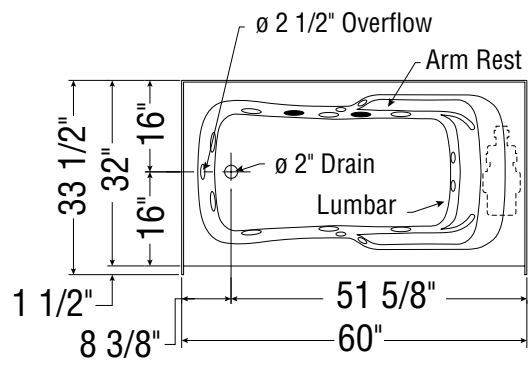
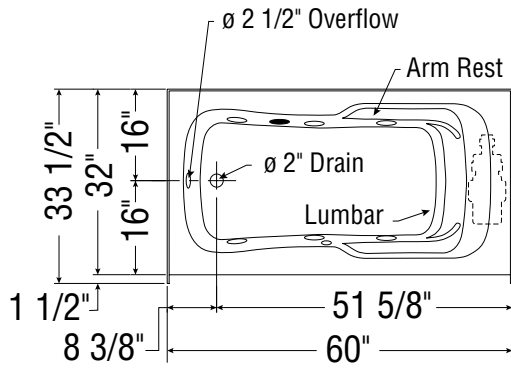
WHIRLPOOL SYSTEM

No	Model	Approx. weight	List Price
XXXXXX-058	Homestead whirlpool system with air switch ² (available only on standard color units)	35 lb	Add \$ 941
XXXXXX-057	Bodywrap system with micro switch ³	35 lb	Add \$ 1,395

COMMON OPTIONS

No	Model	Approx. weight	List Price
OPT 10172	In-line heater (factory-installed)	N/A	Add \$ 439
OPT 10174	Pump position opposite standard position ⁴	N/A	Add \$ 71
OPT 10175-084	Designer Grab Bars Available Color: Chrome (084)	N/A	Add \$ 282
OPT 20139	Ozonator for whirlpool system (factory installed)	N/A	Add \$ 373
OPT 20209-XXX	Trim Kit for Bodywrap Whirlpool (factory installed) Available colors: Chrome (084), Nickel (105)	N/A	No Charge

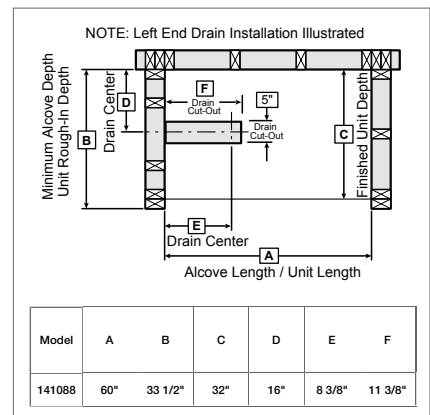
SBF-3260 (cont'd)



6-jet Homestead Collection SBF-3260
HMS (illustrated)

10-jet Bodywrap Collection SBF-3260
BWS (illustrated)

All dimensions are approximate. Structure measurements must be verified against the unit to ensure proper fit.



TOF-3060

59 3/4" x 29 7/8" x 17 1/2" - Gelcoat

Water Capacity: Min: 22.7 gal. Max: 37.2 gal.



- 1 1/2 inch Wrap around backsplash
- Tile adaptor required for door installation
- Integrated apron and tiling flange
- 3 3/8 inch Above-the-Floor Rough available
- Textured floor
- Right or left drain



RECTANGULAR BATHTUBS

BATHTUB MODEL

No	Model	Dimensions	Pkg	Approx. weight	Std Color(s)	Non-std Color(s)
142008-000-XXX	Bathtub 142008-R-000-XXX Right-hand drain 142008-L-000-XXX Left-hand drain Specify: Standard colors: White (002), Bone (004), Biscuit (007) Non-standard colors: Refer to color chart in this book.	59 3/4 X 29 7/8 X 17 1/2 in.	28 ft ³	52 lb	\$ 556	\$ 656

AFR BATHTUB MODEL

No	Model	Dimensions	Pkg	Approx. weight	Std Color(s)	Non-std Color(s)
142009-000-XXX	Bathtub AFR 142009-R-000-XXX Right-hand drain 142009-L-000-XXX Left-hand drain Specify: Standard colors: White (002), Bone (004), Biscuit (007) Non-standard colors: Refer to color chart in this book.	59 3/4 X 29 7/8 X 19 7/8 in.	28 ft ³	52 lb	\$ 556	\$ 656

WHIRLPOOL SYSTEM

No	Model	Approx. weight	List Price
XXXXXX-058	Homestead whirlpool system with air switch ² (available only on standard color units)	35 lb	Add \$ 941

COMMON OPTIONS

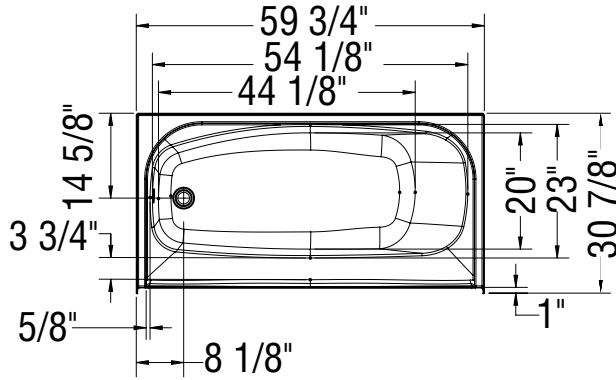
No	Model	Approx. weight	List Price
OPT 10172	In-line heater (factory-installed)	N/A	Add \$ 439
OPT 10174	Pump position opposite standard position ⁴	N/A	Add \$ 71

ACCESSORIES

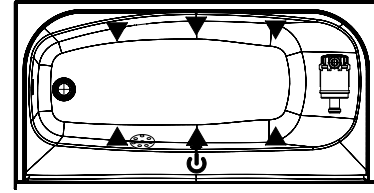
No	Model	Approx. weight	List Price
10024636-XXX	Tile Adaptor (for door installation) Available colors: White (002), Bone (004) and Biscuit (007)	10 lb	\$ 127

TOF-3060 (cont'd)

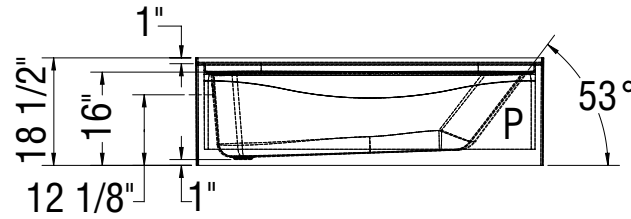
NO SYSTEM



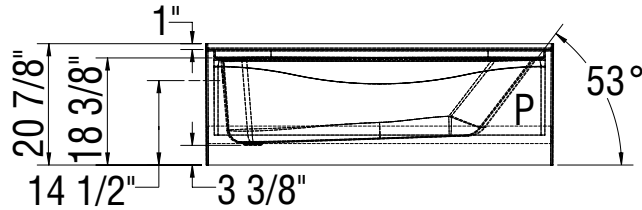
WHIRLPOOL



NOT ABOVE-THE-FLOOR

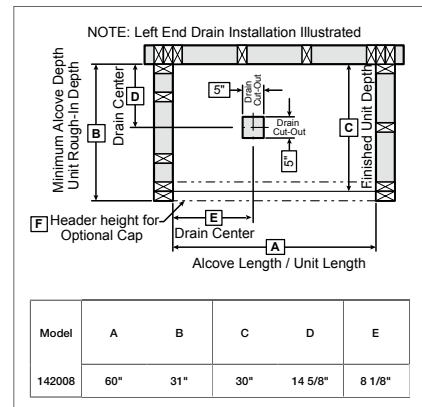


ABOVE-THE-FLOOR



- (▲): Indicates Whirlpool jets positioning
- (△): Indicates suction positioning

All dimensions are approximate. Structure measurements must be verified against the unit to ensure proper fit.



TO-3060

60" x 30 1/2" x 16" - Gelcoat

Water Capacity: Max: 38 gal.

- Meets FHA accessibility requirements
- Integrated tiling flange
- 2 3/4 inch Above-the-Floor Rough available
- Textured floor
- Right or left drain
- Alcove installation



BATHTUB MODEL

No	Model	Dimensions	Pkg	Approx. weight	Std Color(s)	Non-std Color(s)
141078-000-XXX	Bathtub 141078-R-000-XXX Right-hand drain 141078-L-000-XXX Left-hand drain Specify: Standard colors: White (002), Bone (004), Biscuit (007) Non-standard colors: Refer to color chart in this book.	60 X 30 1/2 X 16 3/4 in.	20.5 ft ³	64 lb	\$ 381	\$ 481
	Bathtub AFR 141078-AFR/R-000-XXX Above-the-Floor Rough, right-hand drain 141078-AFR/L-000-XXX Above-the-Floor Rough, left-hand drain Specify: Standard colors: White (002), Bone (004), Biscuit (007) Non-standard colors: Refer to color chart in this book.					

BATHTUB MODEL JOB PACK

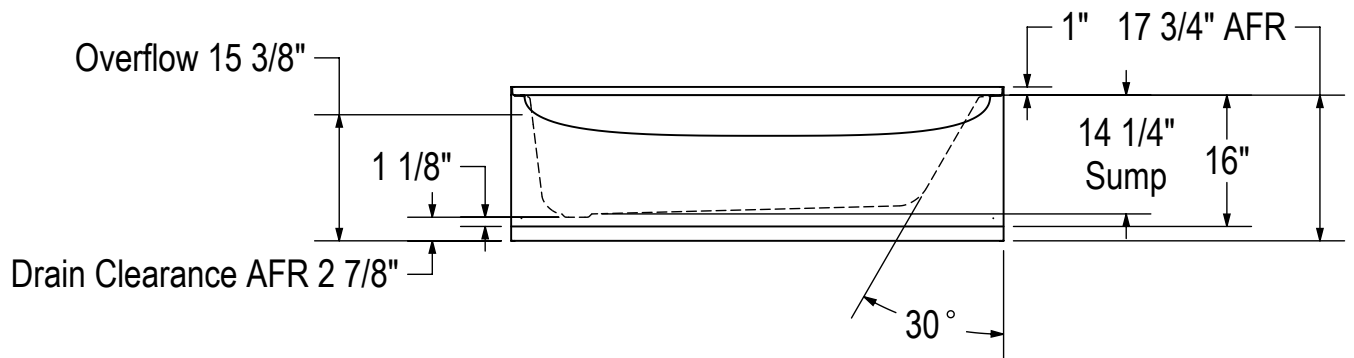
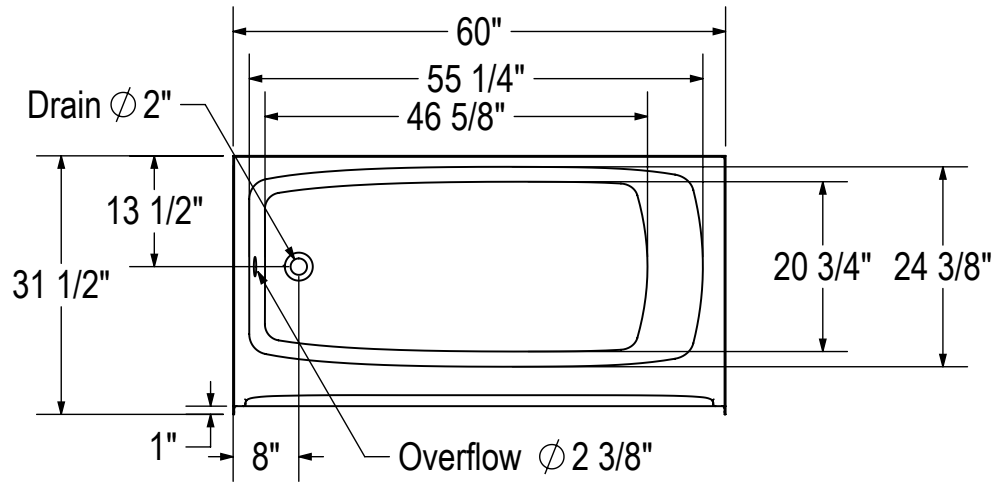
No	Model	Dimensions	Pkg	Approx. weight	Std Color(s)	Non-std Color(s)
141356-002-XXX	Job Pack of 12 Bathtubs 141356-R-002-XXX Right-hand drain 141356-L-002-XXX Left-hand drain Standard colors only Specify: Standard colors: White (002), Bone (004), Biscuit (007)	60 X 30 1/2 X 16 3/4 in.	246 ft ³	768 lb	\$ 4,416	N/A
	Job Pack of 12 AFR Bathtubs 141356-AFR/R-002-XXX Above-the-Floor Rough, right-hand drain 141356-AFR/L-002-XXX Above-the-Floor Rough, left-hand drain Standard colors only Specify: Standard colors: White (002), Bone (004), Biscuit (007)					

TO-3060 (cont'd)

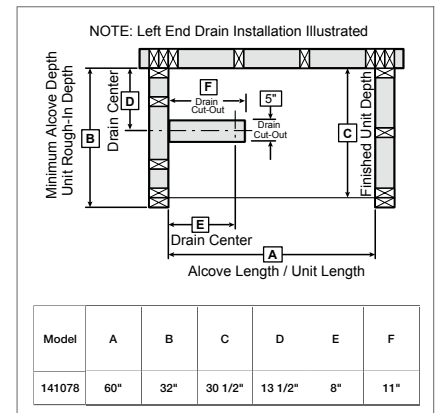
DOORS RECOMMENDED WITH TO-3060

No	Description	Page
134561	Kameleon semi-frameless sliding door 55-59 x 57 in. 6 mm	p. 280
134661	Kameleon SC semi-frameless sliding door 55-59 x 57 in. 6 mm	p. 280
134573	Kameleon semi-frameless sliding door 55-59 x 57 in. 8 mm	p. 280
134670	Kameleon SC semi-frameless sliding door 55-59 x 57 in. 8 mm	p. 280
105410	Polar 2-panel 54-59 1/2 x 57 3/8 in.	p. 286
105409	Mika 2-panel 54 - 59 1/2 x 55 in.	p. 285
138400	Triple Plus 3-panel 59 1/2 x 56 in.	p. 286
136300	Decor Plus 2-panel 59 1/2 x 56 in.	p. 285
138994	Luminescence frameless sliding door 56 1/2-59 x 55 1/2 in. 6 mm	p. 281
136270	Duel frameless sliding door 56-59 x 55 1/2 in. 8 mm	p. 277
139398	Halo sliding tub door 56 1/2-59 x 59 in. 8 mm	p. 279
137500	Edge Tub 30 x 55 1/2 in., 6 mm	p. 278
137501	Edge Square Tub 34 x 58 in., 8 mm	p. 278
137502	Edge Duo Tub 42 x 58 in., 8 mm	p. 278

TO-3060 (cont'd)



All dimensions are approximate. Structure measurements must be verified against the unit to ensure proper fit.



TOF-2954

53 7/8" x 29" x 17 1/2" - Gelcoat

Water Capacity: Max: 32.5 gal.

- 1 1/2 inch Wrap around backsplash
- Integrated apron and tiling flange
- 3 3/8 inch Above-the-Floor Rough available
- Textured floor
- Right or left drain
- Alcove installation

RECTANGULAR BATHTUBS



BATHTUB MODEL

No	Model	Dimensions	Pkg	Approx. weight	Std Color(s)	Non-std Color(s)
142002-000-XXX	Bathtub 142002-R-000-XXX Right-hand drain 142002-L-000-XXX Left-hand drain Specify: Standard colors: White (002), Bone (004), Biscuit (007) Non-standard colors: Refer to color chart in this book.	53 7/8 X 29 X 17 1/2 in.	28 ft ³	57 lb	\$ 513	\$ 613

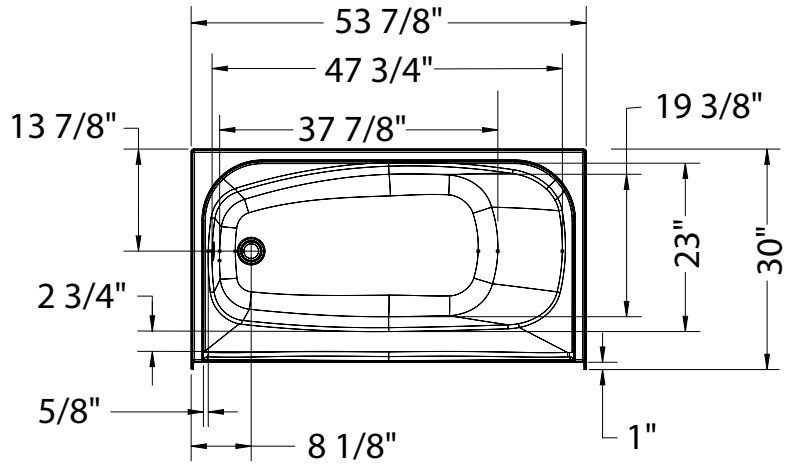
AFR BATHTUB MODEL

No	Model	Dimensions	Pkg	Approx. weight	Std Color(s)	Non-std Color(s)
142003-000-XXX	Bathtub AFR 142003-R-000-XXX Above-the-Floor Rough, right-hand drain 142003-L-000-XXX Above-the-Floor Rough, left-hand drain Specify: Standard colors: White (002), Bone (004), Biscuit (007) Non-standard colors: Refer to color chart in this book.	53 7/8 X 29 X 19 7/8 in.	28 ft ³	57 lb	\$ 513	\$ 613

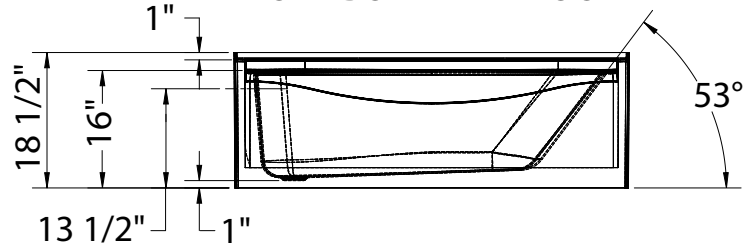
ACCESSORIES

No	Model	Approx. weight	List Price
10024636-XXX	Tile Adaptor (for door installation) Available colors: White (002), Bone (004) and Biscuit (007)	10 lb	\$ 127

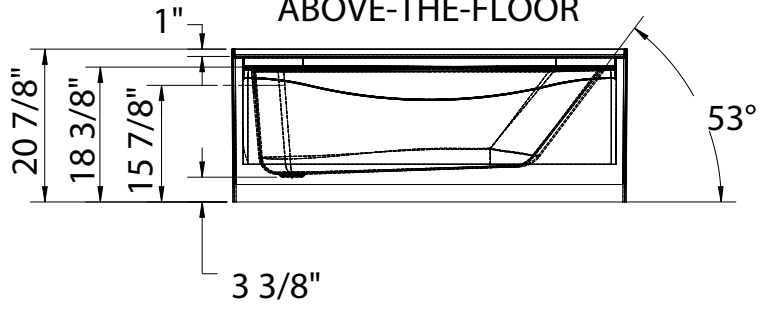
TOF-2954 (cont'd)



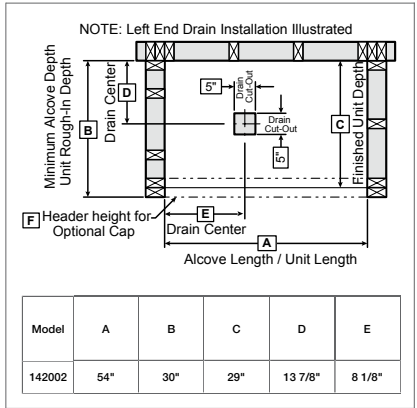
NOT ABOVE-THE-FLOOR



ABOVE-THE-FLOOR



All dimensions are approximate. Structure measurements must be verified against the unit to ensure proper fit.



TO-2954

54" x 29" x 16" - Gelcoat

Water Capacity: Max: 33 gal.

- Integrated tiling flange
- 2 inch Above-the-Floor Rough available
- Textured floor
- Right or left drain
- Alcove installation
- 14 1/4 inch deep sump

RECTANGULAR BATHTUBS



BATHTUB MODEL

No	Model	Dimensions	Pkg	Approx. weight	Std Color(s)	Non-std Color(s)
141077-000-XXX	Bathtub 141077-R-000-XXX Right-hand drain 141077-L-000-XXX Left-hand drain Specify: Standard colors: White (002), Bone (004), Biscuit (007) Non-standard colors: Refer to color chart in this book.	54 X 29 X 16 in.	26.6 ft ³	57 lb	\$ 378	\$ 478
	Bathtub AFR 141077-AFR/R-000-XXX Above-the-Floor Rough, right-hand drain 141077-AFR/L-000-XXX Above-the-Floor Rough, left-hand drain Specify: Standard colors: White (002), Bone (004), Biscuit (007) Non-standard colors: Refer to color chart in this book					

BATHTUB MODEL JOB PACK

No	Model	Dimensions	Pkg	Approx. weight	Std Color(s)	Non-std Color(s)
141363-002-XXX	Job Pack of 12 Bathtubs 141363-R-002-XXX Right-hand drain 141363-L-002-XXX Left-hand drain Standard colors only Specify: Standard colors: White (002), Bone (004), Biscuit (007)	54 X 29 X 16 in.	319 ft ³	684 lb	\$ 4,404	N/A
	Job Pack of 12 AFR Bathtubs 141363-AFR/R-002-XXX Above-the-Floor Rough, right-hand drain 141363-AFR/L-002-XXX Above-the-Floor Rough, left-hand drain Standard colors only Specify: Standard colors: White (002), Bone (004), Biscuit (007)					

TO-2954 (cont'd)

DOORS RECOMMENDED WITH TO-2954

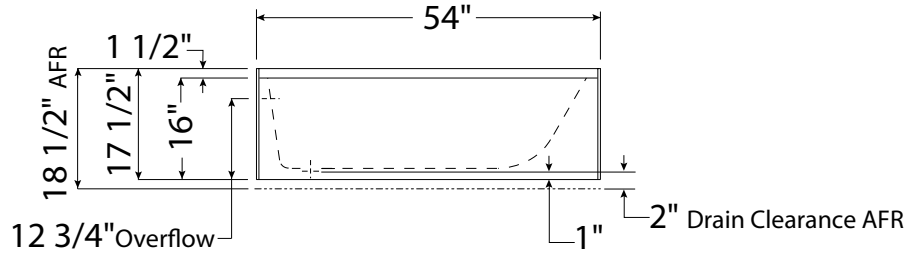
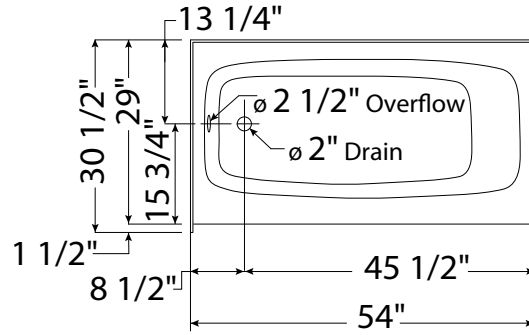
No	Description	Page
138308	Triple Plus 3-panel 55 x 56 in.	p. 286
134560	Kameleon semi-frameless sliding door 51-55 x 57 in. 6 mm	p. 280
134660	Kameleon SC semi-frameless sliding door 51-55 x 57 in. 6 mm	p. 280
136302	Decor Plus 2-panel 56 3/4 x 56 in.	p. 285
137500	Edge Tub 30 x 55 1/2 in., 6 mm	p. 278
137501	Edge Square Tub 34 x 58 in., 8 mm	p. 278
137502	Edge Duo Tub 42 x 58 in., 8 mm	p. 278



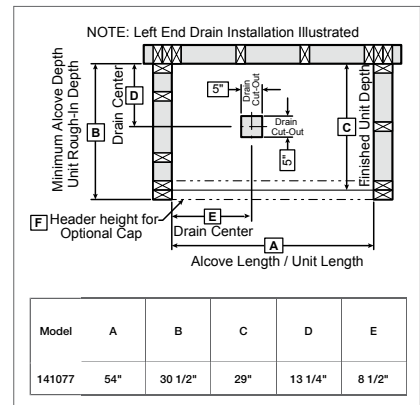
NEW
www.maax.com

PROS CORNER
Get all your MAAX news in just 1 place!

TO-2954 (cont'd)



All dimensions are approximate. Structure measurements must be verified against the unit to ensure proper fit.



OV-4272

72" x 42" x 21 1/2" - Gelcoat

Water Capacity: Min: 61 gal. Max: 89 gal.



- Deep and spacious bathing well
- Deck for faucet
- Textured floor
- End drain
- 20 1/2 inch deep sump
- Bottom bathing well: 47 1/2 inch L x 27 1/2 inch W



BATHTUB MODEL

No	Model	Dimensions	Pkg	Approx. weight	Std Color(s)	Non-std Color(s)
141114-000-XXX	Bathtub 141114-000-XXX End drain Specify: Standard colors: White (002), Bone (004), Biscuit (007) Non-standard colors: Refer to color chart in this book.	72 X 42 X 21 1/2 in.	46.1 ft ³	91 lb	\$ 976	\$ 1,076
141093-000-XXX	Apron- Removable solid apron kit Specify: Standard colors: White (002), Bone (004), Biscuit (007) Non-Standard colors: Refer to color chart in this book.	N/A	3.93 ft ³	35 lb	\$ 381	\$ 431
141094-000-XXX	Apron- Non-removable solid apron kit Specify: Standard colors: White (002), Bone (004), Biscuit (007) Non-Standard colors: Refer to color chart in this book.	N/A	3.83 ft ³	22 lb	\$ 303	\$ 353

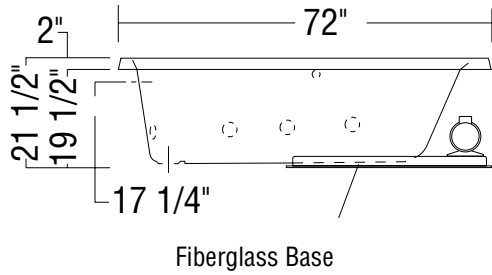
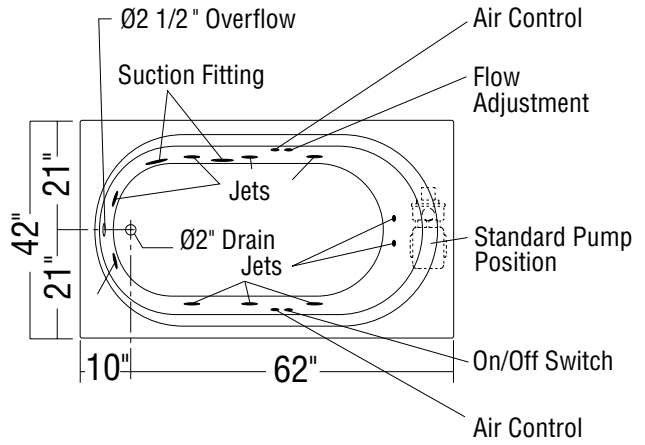
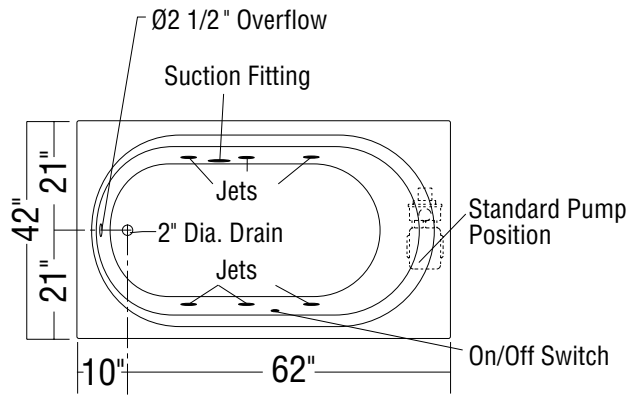
WHIRLPOOL SYSTEM

No	Model	Approx. weight	List Price
XXXXXX-058	Homestead whirlpool system with air switch ² (available only on standard color units)	35 lb	Add \$ 941
XXXXXX-057	Bodywrap system with micro switch ³	35 lb	Add \$ 1,395

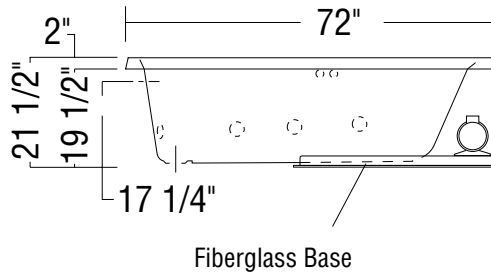
COMMON OPTIONS

No	Model	Approx. weight	List Price
OPT 10172	In-line heater (factory-installed)	N/A	Add \$ 439
OPT 10174	Pump position opposite standard position ⁴	N/A	Add \$ 71
OPT 10175-084	Designer Grab Bars Available Color: Chrome (084)	N/A	Add \$ 282
OPT 20139	Ozonator for whirlpool system (factory installed)	N/A	Add \$ 373
OPT 20209-XXX	Trim Kit for Bodywrap Whirlpool (factory installed) Available colors: Chrome (084), Nickel (105)	N/A	No Charge

OV-4272 (cont'd)



6-jet Homestead Collection ACOV-4272
HMS (illustrated)



10-jet Bodywrap System ACOV-4272
BWS (illustrated)

All dimensions are approximate. Structure measurements must be verified against the unit to ensure proper fit.

SBOO-4272

72" x 41" x 22 1/2" - Gelcoat

Water Capacity: Min: 57 gal. Max: 89 gal.



- Armrests at each tub end
- Raised headrests
- Symmetrical backrests with lumbar supports
- Deep bathing well
- 20 1/2 inch deep sump
- Bottom bathing well: 38 1/2 inch L x 26 1/2 inch W



OVAL BATHTUBS

BATHTUB MODEL

No	Model	Dimensions	Pkg	Approx. weight	Std Color(s)	Non-std Color(s)
141110-000-XXX	Bathtub 141110-000-XXX Center drain Specify: Standard colors: White (002), Bone (004), Biscuit (007) Non-standard colors: Refer to color chart in this book.	72 X 41 X 22 1/2 in.	46.9 ft ³	92 lb	\$ 1,020	\$ 1,120

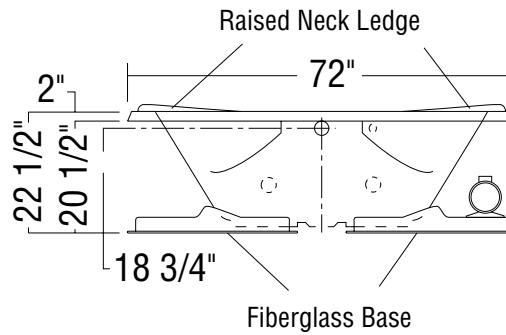
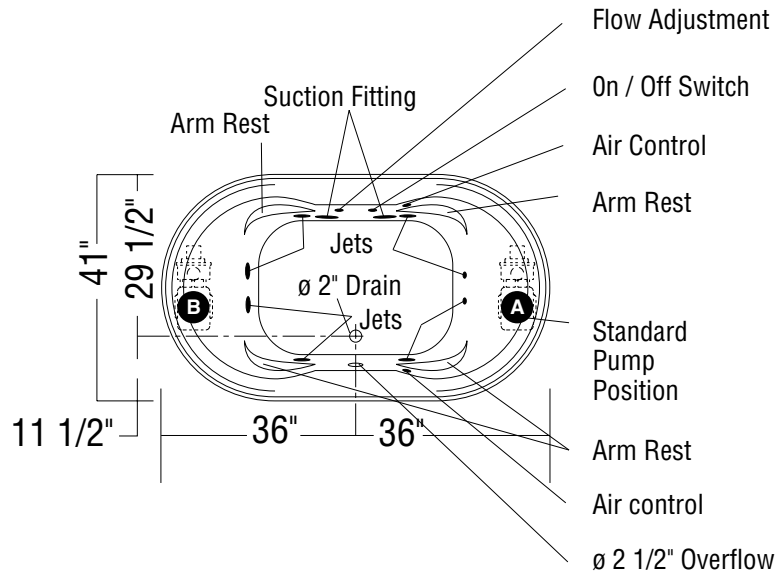
WHIRLPOOL SYSTEM

No	Model	Approx. weight	List Price
XXXXXX-057	Bodywrap system with micro switch ³	35 lb	Add \$ 1,395

COMMON OPTIONS

No	Model	Approx. weight	List Price
OPT 10172	In-line heater (factory-installed)	N/A	Add \$ 439
OPT 10174	Pump position opposite standard position ⁴	N/A	Add \$ 71
OPT 20139	Ozonator for whirlpool system (factory installed)	N/A	Add \$ 373
OPT 20209-XXX	Trim Kit for Bodywrap Whirlpool (factory installed) Available colors: Chrome (084), Nickel (105)	N/A	No Charge

SBOO-4272 (cont'd)



8-jet Bodywrap System SBOO-4272 / BWS (illustrated)

All dimensions are approximate. Structure measurements must be verified against the unit to ensure proper fit.

OV-4260

60" x 42" x 21 1/2" - Gelcoat

Water Capacity: Min: 45 gal. Max: 71 gal.



- Spacious bathing well
- Deck for faucet
- Textured floor
- End drain
- 20 1/4 inch deep sump
- Bottom bathing well: 42 inch L x 26 1/2 inch W



BATHTUB MODEL

No	Model	Dimensions	Pkg	Approx. weight	Std Color(s)	Non-std Color(s)
141112-000-XXX	Bathtub 141112-000-XXX End drain Specify: Standard colors: White (002), Bone (004), Biscuit (007) Non-standard colors: Refer to color chart in this book.	60 X 42 X 21 1/2 in.	38 ft ³	85 lb	\$ 782	\$ 882
141090-000-XXX	Apron- Removable solid apron kit Specify: Standard colors: White (002), Bone (004), Biscuit (007) Non-Standard colors: Refer to color chart in this book.	N/A	3.52 ft ³	31 lb	\$ 349	\$ 399
141091-000-XXX	Apron- Non-removable solid apron kit Specify: Standard colors: White (002), Bone (004), Biscuit (007) Non-Standard colors: Refer to color chart in this book.	N/A	3.82 ft ³	19 lb	\$ 272	\$ 322

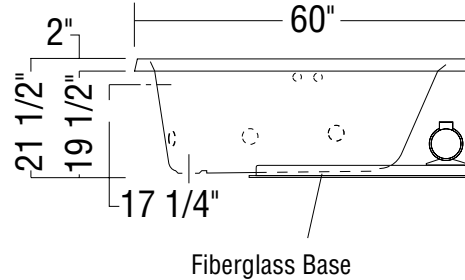
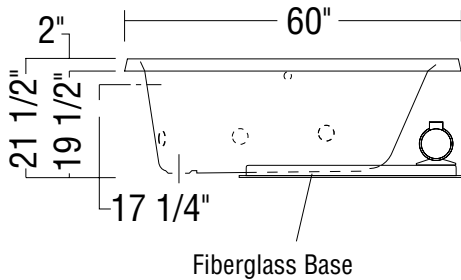
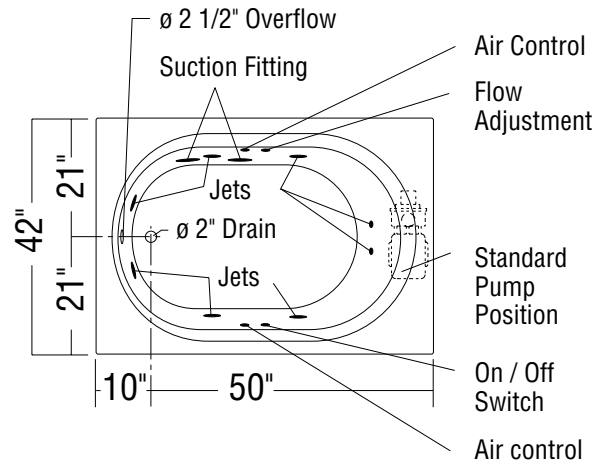
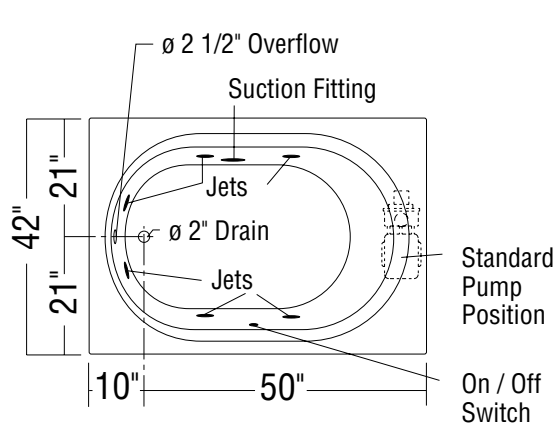
WHIRLPOOL SYSTEM

No	Model	Approx. weight	List Price
XXXXXX-058	Homestead whirlpool system with air switch ² (available only on standard color units)	35 lb	Add \$ 941
XXXXXX-057	Bodywrap system with micro switch ³	35 lb	Add \$ 1,395

COMMON OPTIONS

No	Model	Approx. weight	List Price
OPT 10172	In-line heater (factory-installed)	N/A	Add \$ 439
OPT 10174	Pump position opposite standard position ⁴	N/A	Add \$ 71
OPT 20139	Ozonator for whirlpool system (factory installed)	N/A	Add \$ 373
OPT 20209-XXX	Trim Kit for Bodywrap Whirlpool (factory installed) Available colors: Chrome (084), Nickel (105)	N/A	No Charge

OV-4260 (cont'd)



6-jet Homestead Collection OV-4260
HMS (illustrated)

8-jet Bodywrap System OV-4260
BWS (illustrated)

All dimensions are approximate. Structure measurements must be verified against the unit to ensure proper fit.

OVA-4260

60" x 42" x 21" - Gelcoat

Water Capacity: Min: 45 gal. Max: 71 gal.



- Spacious bathing well
- Integrated apron & tiling flange
- Backrest with lumbar support
- Deck for faucet
- 20 1/4 inch deep sump
- Bottom bathing well: 42 inch L x 26 1/2 inch W



BATHTUB MODEL

No	Model	Dimensions	Pkg	Approx. weight	Std Color(s)	Non-std Color(s)
141081-000-XXX	Bathtub 141081-R-000-XXX Right-hand drain 141081-L-000-XXX Left-hand drain Specify: Standard colors: White (002), Bone (004), Biscuit (007) Non-standard colors: Refer to color chart in this book.	60 X 42 X 21 in.	35.2 ft ³	92 lb	\$ 782	\$ 882

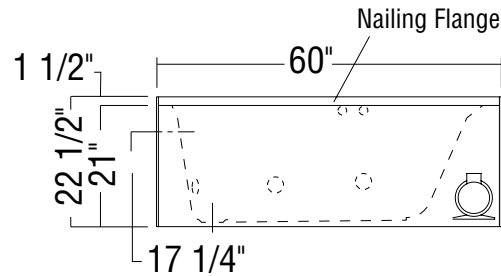
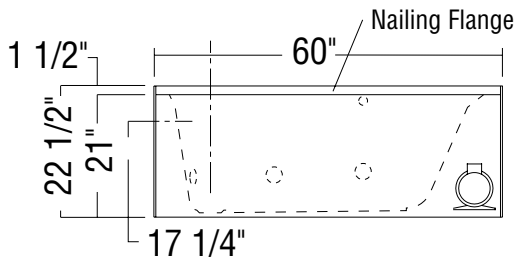
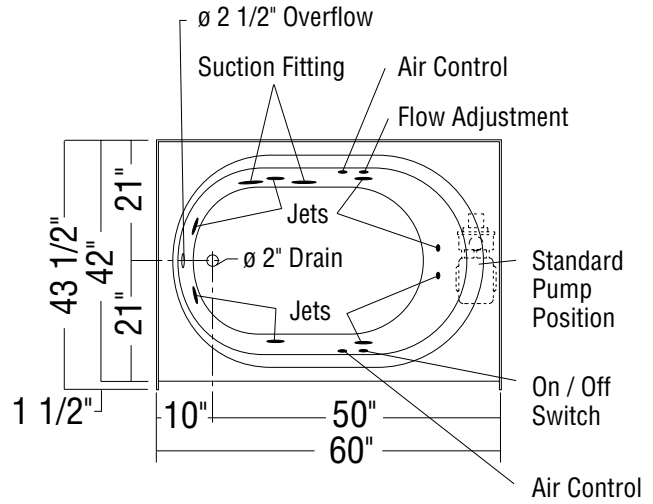
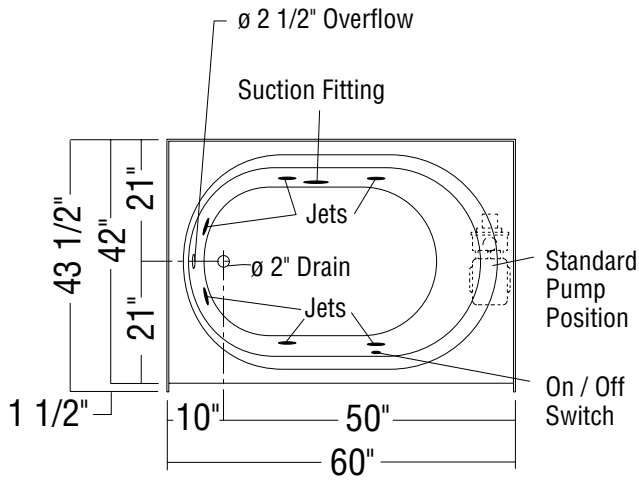
WHIRLPOOL SYSTEM

No	Model	Approx. weight	List Price
XXXXXX-058	Homestead whirlpool system with air switch ² (available only on standard color units)	35 lb	Add \$ 941
XXXXXX-057	Bodywrap system with micro switch ³	35 lb	Add \$ 1,395

COMMON OPTIONS

No	Model	Approx. weight	List Price
OPT 10172	In-line heater (factory-installed)	N/A	Add \$ 439
OPT 10174	Pump position opposite standard position ⁴	N/A	Add \$ 71
OPT 20139	Ozonator for whirlpool system (factory installed)	N/A	Add \$ 373
OPT 20209-XXX	Trim Kit for Bodywrap Whirlpool (factory installed) Available colors: Chrome (084), Nickel (105)	N/A	No Charge

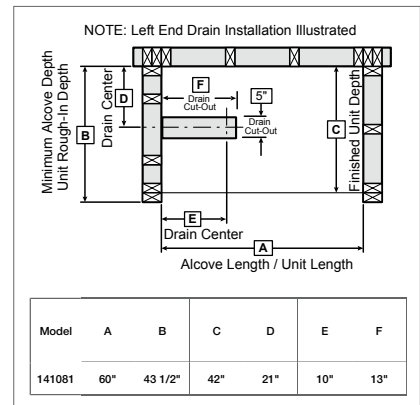
OVA-4260 (cont'd)



6-jet Homestead Collection OVA-4260L
HMS (illustrated)

8-jet Bodywrap System OVA-4260L
BWS (illustrated)

All dimensions are approximate. Structure measurements must be verified against the unit to ensure proper fit.



OVF-4260

60" x 42" x 21" - Gelcoat

Water Capacity: Min: 45 gal. Max: 71 gal.



- Spacious bathing well
- Integrated tiling flange
- Deck for faucet
- Backrest with lumbar support
- 20 1/4 inch deep sump
- Bottom bathing well : 42 inch L x 26 1/2 inch W



BATHTUB MODEL

No	Model	Dimensions	Pkg	Approx. weight	Std Color(s)	Non-std Color(s)
141095-000-XXX	Bathtub 141095-R-000-XXX Right-hand drain 141095-L-000-XXX Left-hand drain Specify: Standard colors: White (002), Bone (004), Biscuit (007) Non-standard colors: Refer to color chart in this book.	60 X 42 X 21 in.	37.6 ft ³	85 lb	\$ 782	\$ 882
141090-000-XXX	Apron- Removable solid apron kit Specify: Standard colors: White (002), Bone (004), Biscuit (007) Non-Standard colors: Refer to color chart in this book.	N/A	3.52 ft ³	31 lb	\$ 349	\$ 399
141091-000-XXX	Apron- Non-removable solid apron kit Specify: Standard colors: White (002), Bone (004), Biscuit (007) Non-Standard colors: Refer to color chart in this book.	N/A	3.82 ft ³	19 lb	\$ 272	\$ 322

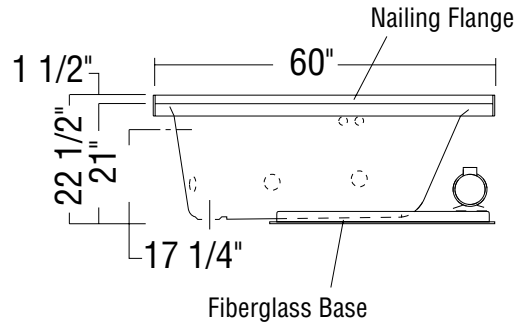
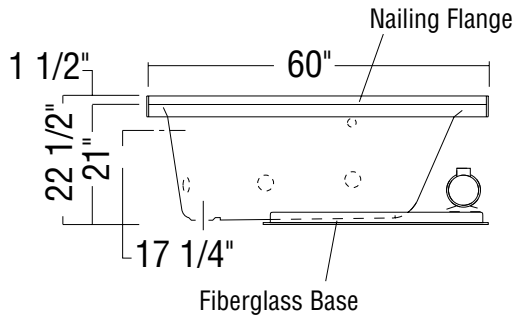
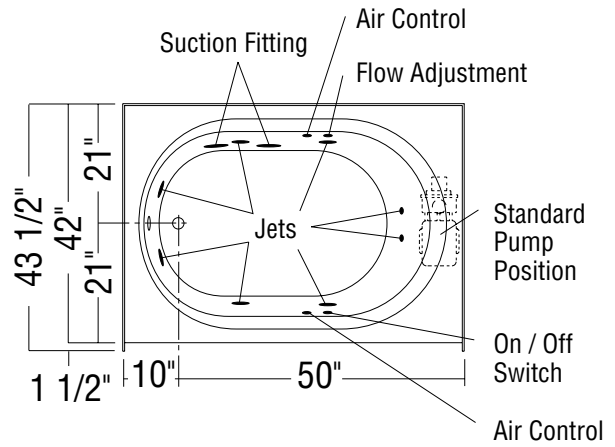
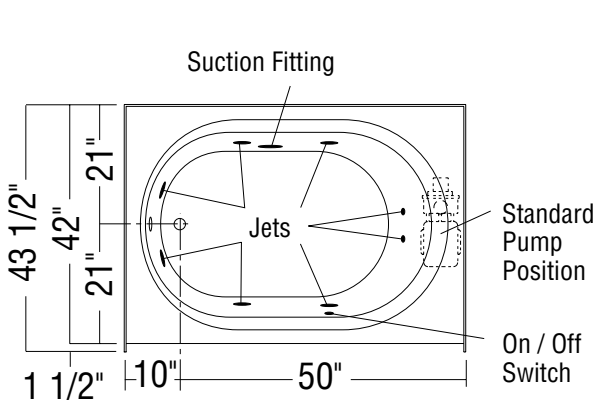
WHIRLPOOL SYSTEM

No	Model	Approx. weight	List Price
XXXXXX-057	Bodywrap system with micro switch ³	35 lb	Add \$ 1,395
XXXXXX-058	Homestead whirlpool system with air switch ² (available only on standard color units)	35 lb	Add \$ 941

COMMON OPTIONS

No	Model	Approx. weight	List Price
OPT 10172	In-line heater (factory-installed)	N/A	Add \$ 439
OPT 10174	Pump position opposite standard position ⁴	N/A	Add \$ 71
OPT 20139	Ozonator for whirlpool system (factory installed)	N/A	Add \$ 373
OPT 20209-XXX	Trim Kit for Bodywrap Whirlpool (factory installed) Available colors: Chrome (084), Nickel (105)	N/A	No Charge

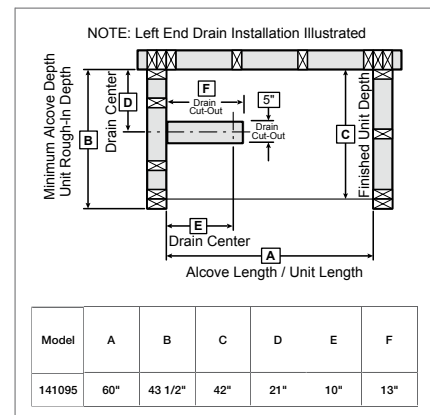
OVF-4260 (cont'd)



6-jet Homestead Collection OVF-4260
HMS (illustrated)

8-jet Bodywrap System OVF-4260
BWS (illustrated)

All dimensions are approximate. Structure measurements must be verified against the unit to ensure proper fit.



GT-6060AP

59" x 59" x 24" - Gelcoat

Water Capacity: Max: 100 gal.



- Spacious bathing well
- Integrated tiling flange
- Armrests
- Deck for faucet
- 18 1/2 inch deep sump
- Bottom bathing well: 48 inch L x 35 inch W



BATHTUB MODEL

No	Model	Dimensions	Pkg	Approx. weight	Std Color(s)	Non-std Color(s)
141121-000-XXX	Bathtub 141121-000-XXX Center drain Specify: Standard colors: White (002), Bone (004), Biscuit (007) Non-standard colors: Refer to color chart in this book.	59 X 59 X 24 in.	52.1 ft ³	210 lb	\$ 1,006	\$ 1,206

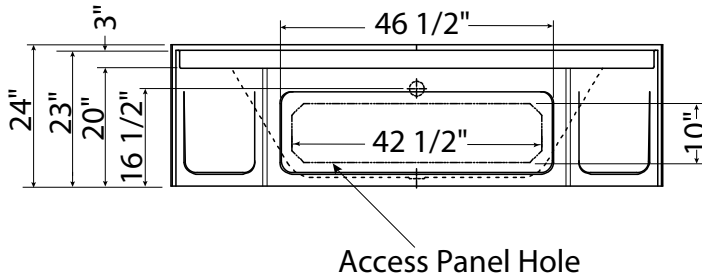
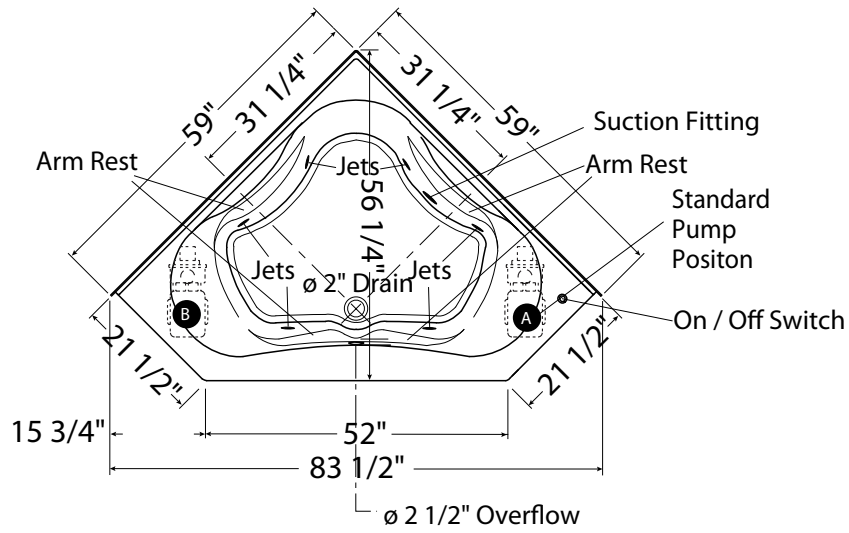
WHIRLPOOL SYSTEM

No	Model	Approx. weight	List Price
XXXXXX-058	Homestead whirlpool system with air switch ² (available only on standard color units)	35 lb	Add \$ 941

COMMON OPTIONS

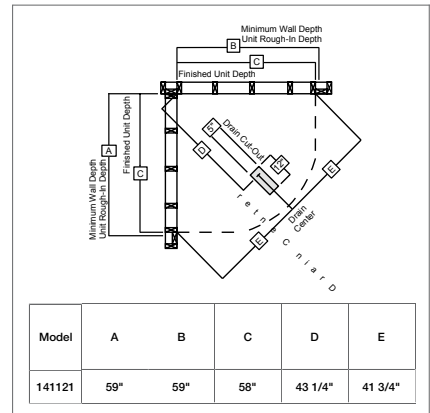
No	Model	Approx. weight	List Price
OPT 10172	In-line heater (factory-installed)	N/A	Add \$ 439
OPT 10174	Pump position opposite standard position ⁴	N/A	Add \$ 71

GT-6060AP (cont'd)



6-jet Homestead System GT-6060AP / HMS (illustrated)

All dimensions are approximate. Structure measurements must be verified against the unit to ensure proper fit.



CT-6060

59" x 59" x 21 1/2" - Gelcoat

Water Capacity: Min: 44 gal. Max: 88 gal.



- Symmetrical backrests with lumbar supports
- Armrests
- Deck for faucet
- Integrated seat
- 19 3/4 inch deep sump
- Bottom bathing well: 46 1/4 inch L x 27 1/4 inch W



BATHTUB MODEL

No	Model	Dimensions	Pkg	Approx. weight	Std Color(s)	Non-std Color(s)
141118-000-XXX	Bathtub 141118-000-XXX Center drain Specify: Standard colors: White (002), Bone (004), Biscuit (007) Non-standard colors: Refer to color chart in this book.	59 X 59 X 21 1/2 in.	51.7 ft ³	98 lb	\$ 921	\$ 1,121

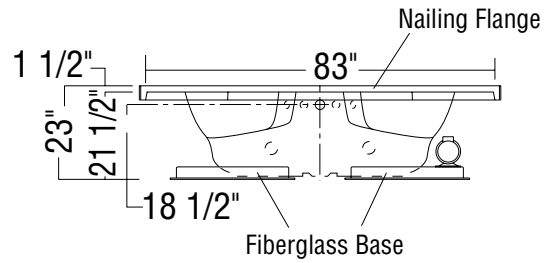
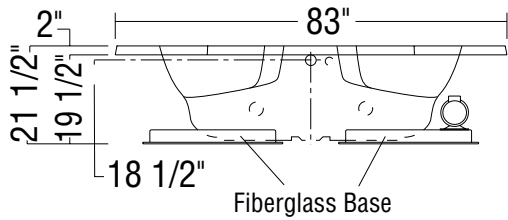
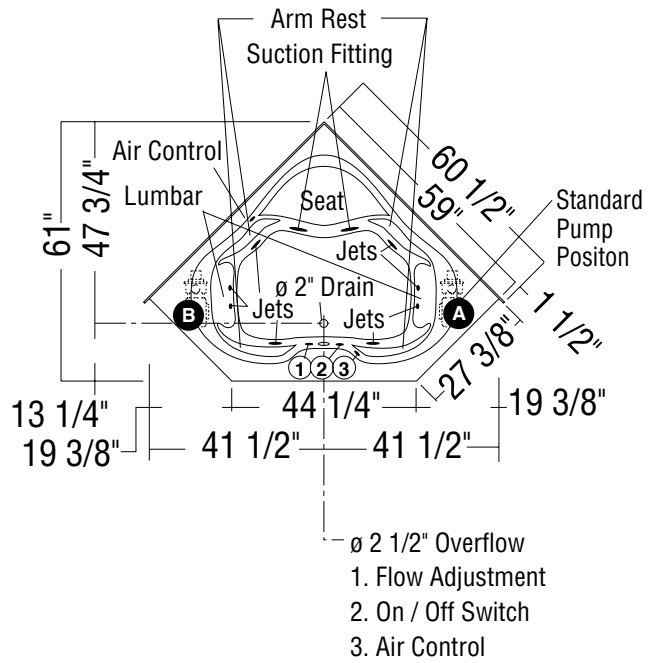
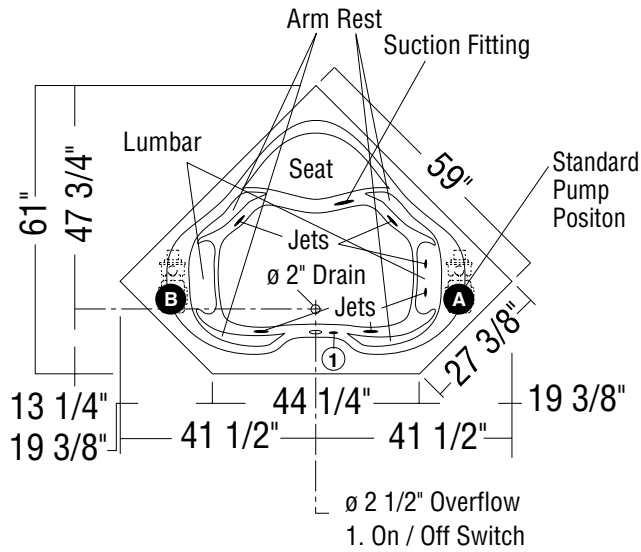
WHIRLPOOL SYSTEM

No	Model	Approx. weight	List Price
XXXXXX-058	Homestead whirlpool system with air switch ² (available only on standard color units)	35 lb	Add \$ 941
XXXXXX-057	Bodywrap system with micro switch ³	35 lb	Add \$ 1,395

COMMON OPTIONS

No	Model	Approx. weight	List Price
OPT 10172	In-line heater (factory-installed)	N/A	Add \$ 439
OPT 10174	Pump position opposite standard position ⁴	N/A	Add \$ 71
OPT 20139	Ozonator for whirlpool system (factory installed)	N/A	Add \$ 373
OPT 20209-XXX	Trim Kit for Bodywrap Whirlpool (factory installed) Available colors: Chrome (084), Nickel (105)	N/A	No Charge

CT-6060 (cont'd)



6-jet Homestead Collection CT-6060
HMS (illustrated)

8-jet Bodywrap System CT-6060
BWS (illustrated)

All dimensions are approximate. Structure measurements must be verified against the unit to ensure proper fit.

CT2-6060

59" x 59" x 21 1/2" - Gelcoat

Water Capacity: Min: 74 gal. Max: 100 gal.



- Spacious bathing well
- 2 backrests with lumbar support
- Armrests
- Deck for faucet
- 19 3/4 inch deep sump
- Bottom bathing well: 57 inch L x 40 inch W



CORNER BATHTUBS

BATHTUB MODEL

No	Model	Dimensions	Pkg	Approx. weight	Std Color(s)	Non-std Color(s)
141120-000-XXX	Bathtub 141120-000-XXX Center drain Specify: Standard colors: White (002), Bone (004), Biscuit (007) Non-standard colors: Refer to color chart in this book.	59 X 59 X 21 1/2 in.	51.7 ft ³	101 lb	\$ 924	\$ 1,124

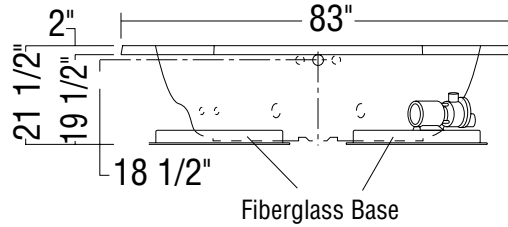
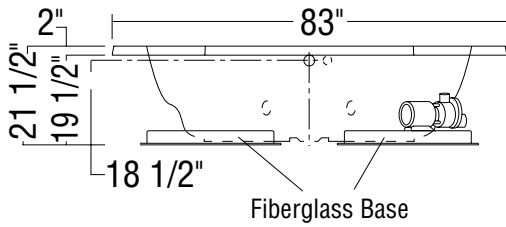
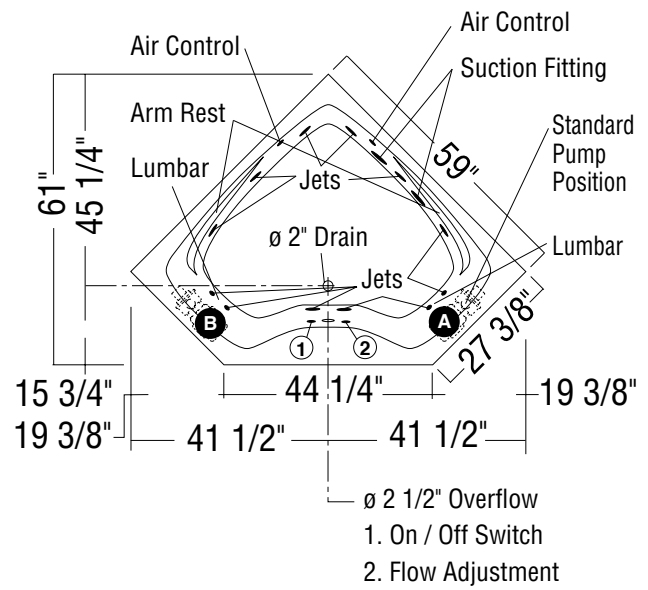
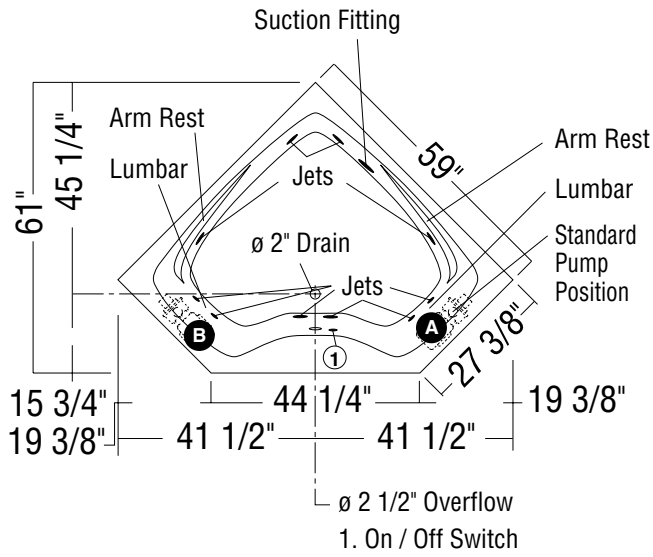
WHIRLPOOL SYSTEM

No	Model	Approx. weight	List Price
XXXXXX-058	Homestead whirlpool system with air switch ² (available only on standard color units)	35 lb	Add \$ 941
XXXXXX-057	Bodywrap system with micro switch ³	35 lb	Add \$ 1,395

COMMON OPTIONS

No	Model	Approx. weight	List Price
OPT 10172	In-line heater (factory-installed)	N/A	Add \$ 439
OPT 10174	Pump position opposite standard position ⁴	N/A	Add \$ 71
OPT 20139	Ozonator for whirlpool system (factory installed)	N/A	Add \$ 373
OPT 20209-XXX	Trim Kit for Bodywrap Whirlpool (factory installed) Available colors: Chrome (084), Nickel (105)	N/A	No Charge

CT2-6060 (cont'd)



10-jet Homestead Collection CT2-6060
BWS (illustrated)

12-jet Bodywrap System CT2-6060
BWS (illustrated)

All dimensions are approximate. Structure measurements must be verified against the unit to ensure proper fit.

CTF-6060

59" x 59" x 21 1/2" - Gelcoat

Water Capacity: Min: 44 gal. Max: 88 gal.



- Symmetrical backrests with lumbar supports
- Armrests
- Deck for faucet
- Integrated tiling flange & seat
- 19 3/4 inch deep sump
- Bottom bathing well: 46 1/4 inch L x 27 1/4 inch W



BATHTUB MODEL

No	Model	Dimensions	Pkg	Approx. weight	Std Color(s)	Non-std Color(s)
141096-000-XXX	Bathtub 141096-000-XXX Center drain Specify: Standard colors: White (002), Bone (004), Biscuit (007) Non-standard colors: Refer to color chart in this book.	59 X 59 X 21 1/2 in.	52.7 ft ³	98 lb	\$ 921	\$ 1,121

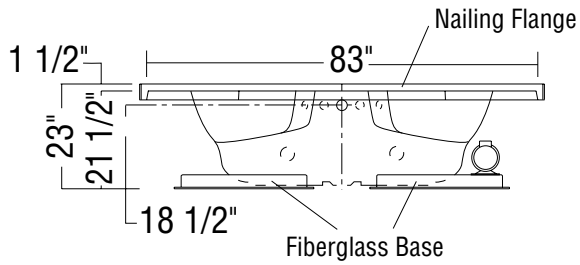
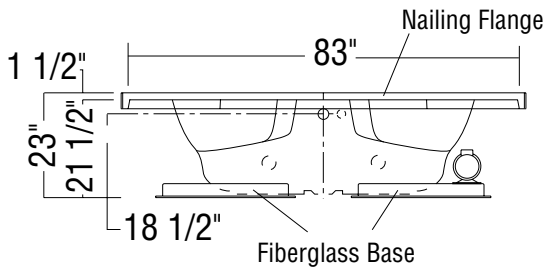
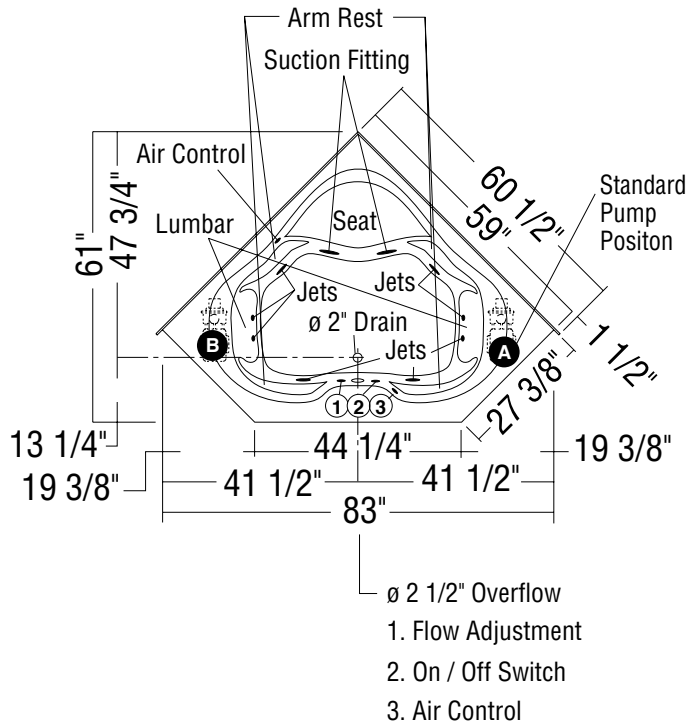
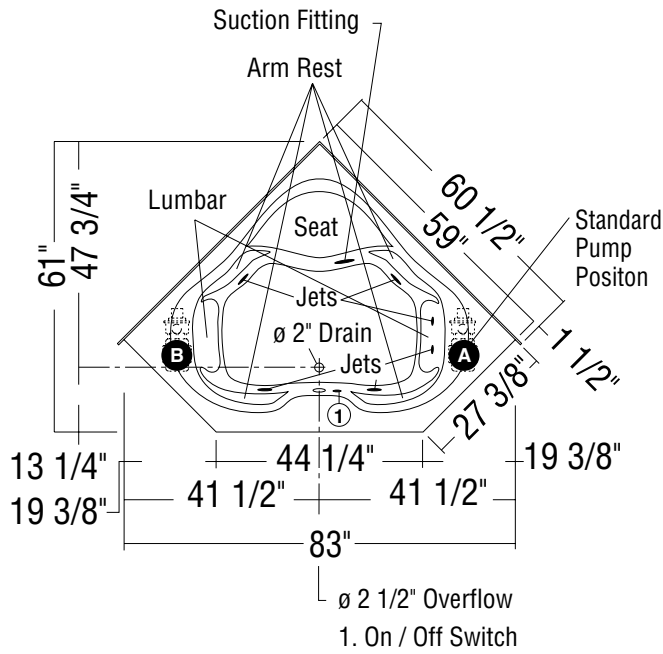
WHIRLPOOL SYSTEM

No	Model	Approx. weight	List Price
XXXXXX-058	Homestead whirlpool system with air switch ² (available only on standard color units)	35 lb	Add \$ 941
XXXXXX-057	Bodywrap system with micro switch ³	35 lb	Add \$ 1,395

COMMON OPTIONS

No	Model	Approx. weight	List Price
OPT 10172	In-line heater (factory-installed)	N/A	Add \$ 439
OPT 10174	Pump position opposite standard position ⁴	N/A	Add \$ 71
OPT 20139	Ozonator for whirlpool system (factory installed)	N/A	Add \$ 373
OPT 20209-XXX	Trim Kit for Bodywrap Whirlpool (factory installed) Available colors: Chrome (084), Nickel (105)	N/A	No Charge

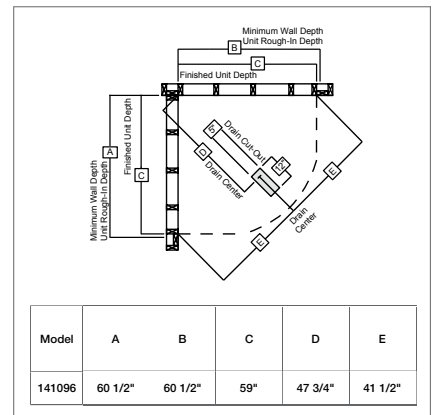
CTF-6060 (cont'd)



6-jet Homestead Collection CTF-6060
HMS (illustrated)

8-jet Bodywrap System CTF-6060
BWS (illustrated)

All dimensions are approximate. Structure measurements must be verified against the unit to ensure proper fit.



CTF2-6060

59" x 59" x 21 1/2" - Gelcoat

Water Capacity: Min: 74 gal. Max: 100 gal.



- Spacious bathing well
- Drop-in installation
- 2 Backrests with lumbar support
- Integrated tiling flange
- 19 3/4 inch deep sump
- Bottom bathing well: 57 inch L x 40 inch W



CORNER BATHTUBS

BATHTUB MODEL

No	Model	Dimensions	Pkg	Approx. weight	Std Color(s)	Non-std Color(s)
141097-000-XXX	Bathtub 141097-000-XXX Center drain Specify: Standard colors: White (002), Bone (004), Biscuit (007) Non-standard colors: Refer to color chart in this book.	59 X 59 X 21 1/2 in.	52.7 ft ³	101 lb	\$ 921	\$ 1,121

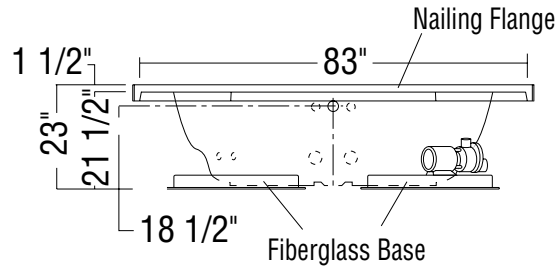
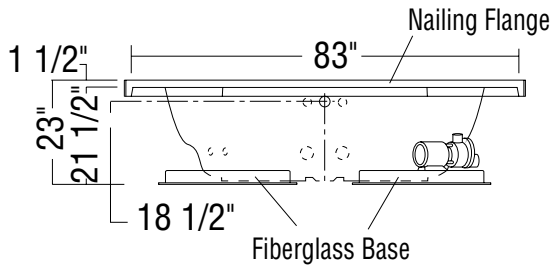
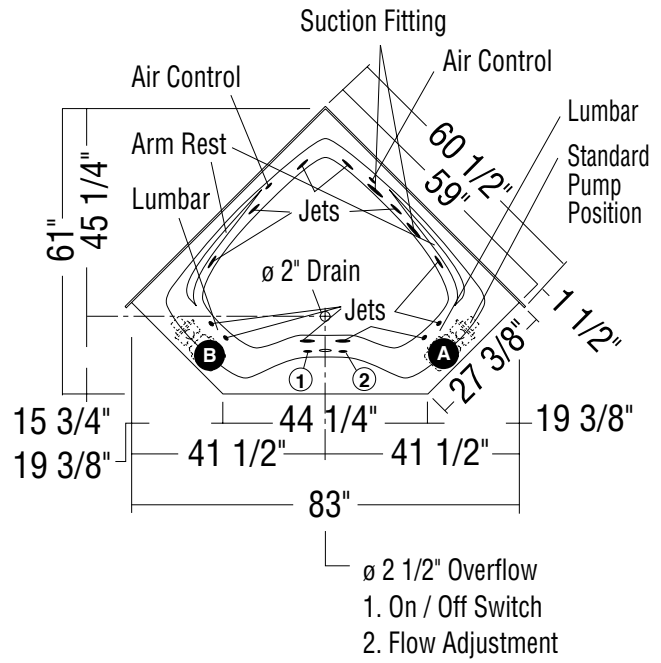
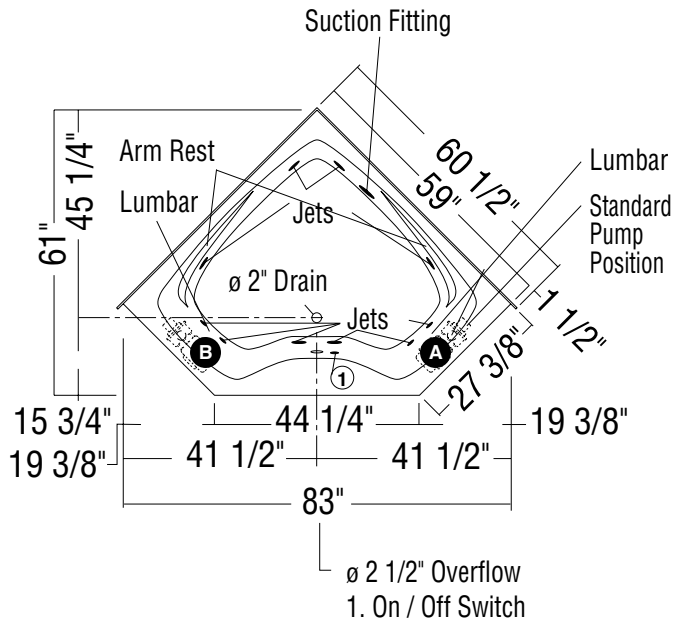
WHIRLPOOL SYSTEM

No	Model	Approx. weight	List Price
XXXXXX-058	Homestead whirlpool system with air switch ² (available only on standard color units)	35 lb	Add \$ 941
XXXXXX-057	Bodywrap system with micro switch ³	35 lb	Add \$ 1,395

COMMON OPTIONS

No	Model	Approx. weight	List Price
OPT 10172	In-line heater (factory-installed)	N/A	Add \$ 439
OPT 10174	Pump position opposite standard position ⁴	N/A	Add \$ 71
OPT 20139	Ozonator for whirlpool system (factory installed)	N/A	Add \$ 373
OPT 20209-XXX	Trim Kit for Bodywrap Whirlpool (factory installed) Available colors: Chrome (084), Nickel (105)	N/A	No Charge

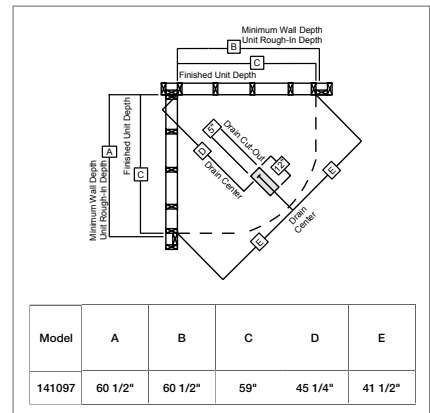
CTF2-6060 (cont'd)



10-jet Homestead Collection CTF2-6060
HMS (illustrated)

12-jet Bodywrap System CTF2-6060
BWS (illustrated)

All dimensions are approximate. Structure measurements must be verified against the unit to ensure proper fit.



List of Accessories

GELCOAT RECTANGULAR BATHTUBS

No	Description		Approx. weight	List Price
10024636-XXX	Tile Adaptor (for door installation) Available colors: White (002), Bone (004) and Biscuit (007)	N/A	4.5 lb	Add \$ 127








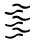




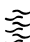



Tub Showers



CM-60 TUB SHOWER

Reference Guide: One-piece Tub Showers

GELCOAT TUB SHOWERS

<p>SBW-3672</p>  <p>ALCOVE</p>	<p>p. 127</p> <p>72 x 36 x 77</p> 	<p>GTW-4260</p>  <p>ALCOVE</p>	<p>p. 129</p> <p>60 x 41 x 74</p> 	<p>GTWT-4260</p>  <p>ALCOVE</p>	<p>p. 132</p> <p>60 x 35 x 71</p> 
<p>TS-3660</p>  <p>ALCOVE</p>	<p>p. 134</p> <p>60 x 36 x 75</p> 	<p>SBW-3360</p>  <p>ALCOVE</p>	<p>p. 137</p> <p>60 x 33 x 77</p> 	<p>TST-3360</p>  <p>ALCOVE</p>	<p>p. 140</p> <p>60 x 33 x 77</p>
<p>GB-60</p>  <p>ALCOVE</p>	<p>p. 143</p> <p>60 x 33 x 72</p> 	<p>CM-60</p>  <p>ALCOVE</p>	<p>p. 146</p> <p>60 x 32 x 72</p>	<p>CMT-60</p>  <p>ALCOVE</p>	<p>p. 149</p> <p>60 x 32 x 72</p>
<p>TS-3060</p>  <p>ALCOVE</p>	<p>p. 151</p> <p>60 x 30 x 73</p>				

SYSTEMS		
	BODYWRAP WHIRLPOOL	p. 8
	HOMESTEAD WHIRLPOOL	p. 9

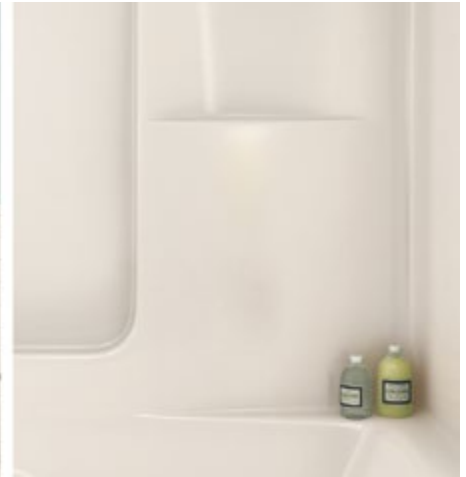
SBW-3672

72" x 36" x 77" - Gelcoat

Water Capacity: Min: 39 gal. Max: 57 gal.



- One-piece gelcoated fiberglass tub-shower
- Built-in back wall shelves with integrated soap dish
- Right or left-hand drain
- Textured floor
- 17 1/4 inch deep sump



GELCOAT TUB SHOWERS

TUB SHOWER MODEL

No	Model	Dimensions	Pkg	Approx. weight	Std Color(s)	Non-std Color(s)
141006-000-XXX	1-piece tub shower 141006-R-000-XXX Right-hand drain 141006-L-000-XXX Left-hand drain Specify: Standard colors: White (001), Bone (004), Biscuit (007) Non-standard colors: Refer to color chart in this book.	72 X 36 X 77 in.	123.4 ft ³	167 lb	\$ 1,064	\$ 1,264

WHIRLPOOL SYSTEM

No	Model	Approx. weight	List Price
XXXXXX-057	Bodywrap system with micro switch ³	35 lb	Add \$ 1,395

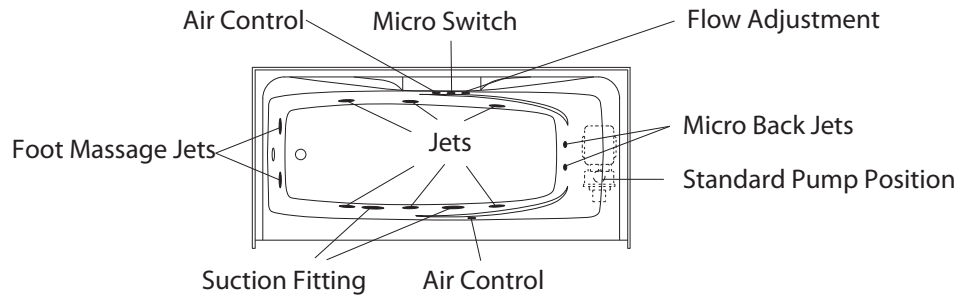
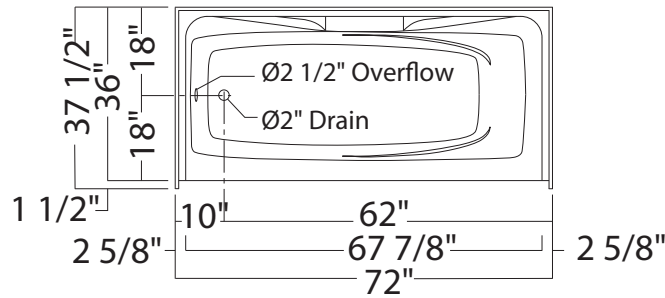
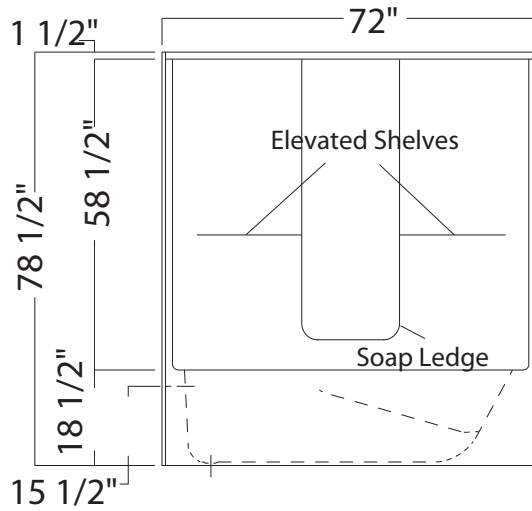
COMMON OPTIONS

No	Model	Approx. weight	List Price
OPT 10172	In-line heater (factory-installed)	N/A	Add \$ 439
OPT 10174	Pump position opposite standard position ⁴	N/A	Add \$ 71
OPT 20209-XXX	Trim Kit for Bodywrap Whirlpool (factory installed) Available colors: Chrome (084), Nickel (105)	N/A	No Charge

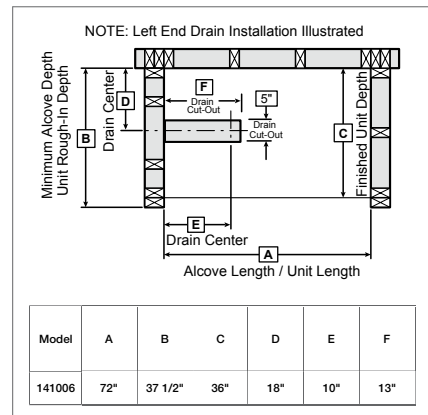
DOORS RECOMMENDED WITH SBW-3672

No	Description	Page
137500	Edge Tub 30 x 55 1/2 in., 6 mm	p. 278
137501	Edge Square Tub 34 x 58 in., 8 mm	p. 278
137502	Edge Duo Tub 42 x 58 in., 8 mm	p. 278

SBW-3672 (cont'd)



All dimensions are approximate. Structure measurements must be verified against the unit to ensure proper fit.



GTW-4260

60" x 40 1/2" x 73 1/2" - Gelcoat

Water Capacity: Min: 45 gal. Max: 65 gal.



- One-piece gelcoated fiberglass tub-shower
- Built-in back wall shelves with integrated soap dish
- Right or left-hand drain
- Textured floor
- Optional unique feature: Above-the-Floor Rough



GELCOAT TUB SHOWERS

TUB SHOWER MODEL

No	Model	Dimensions	Pkg	Approx. weight	Std Color(s)	Non-std Color(s)
141007-000-XXX	1-piece tub shower 141007-R-000-XXX Right-hand drain 141007-L-000-XXX Left-hand drain Specify: Standard colors: White (001), Bone (004), Biscuit (007) Non-standard colors: Refer to color chart in this book.	60 X 40 1/2 X 73 1/2 in. AFR height: 76 1/4 in.	110 ft ³	156 lb	\$ 1,063	\$ 1,263
	1-piece tub shower AFR 141007-AFR/R-000-XXX Above-the-Floor Rough, right-hand drain 141007-AFRL-000-XXX Above-the-Floor Rough, left-hand drain Specify: Standard colors: White (001), Bone (004), Biscuit (007) Non-standard colors: Refer to color chart in this book.					

WHIRLPOOL SYSTEM

No	Model	Approx. weight	List Price
XXXXXX-057	Bodywrap system with micro switch ³	35 lb	Add \$ 1,395

COMMON OPTIONS

No	Model	Approx. weight	List Price
OPT 10172	In-line heater (factory-installed)	N/A	Add \$ 439
OPT 10174	Pump position opposite standard position ⁴	N/A	Add \$ 71
OPT 20139	Ozonator for whirlpool system (factory installed)	N/A	Add \$ 373
OPT 20209-XXX	Trim Kit for Bodywrap Whirlpool (factory installed) Available colors: Chrome (084), Nickel (105)	N/A	No Charge

GTW-4260 (cont'd)

DOORS RECOMMENDED WITH GTW-4260

No	Description	Page
138308	Triple Plus 3-panel 55 x 56 in.	p. 286
136302	Decor Plus 2-panel 56 3/4 x 56 in.	p. 285
105409	Mika 2-panel 54 - 59 1/2 x 55 in.	p. 285
137500	Edge Tub 30 x 55 1/2 in., 6 mm	p. 278
137501	Edge Square Tub 34 x 58 in., 8 mm	p. 278
137502	Edge Duo Tub 42 x 58 in., 8 mm	p. 278

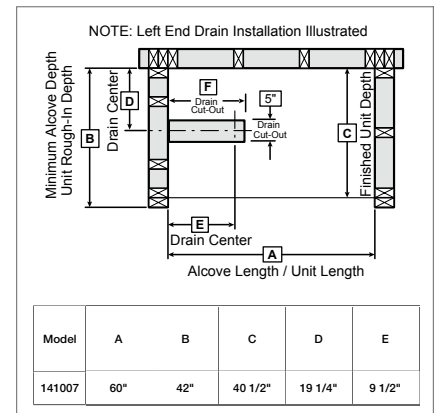
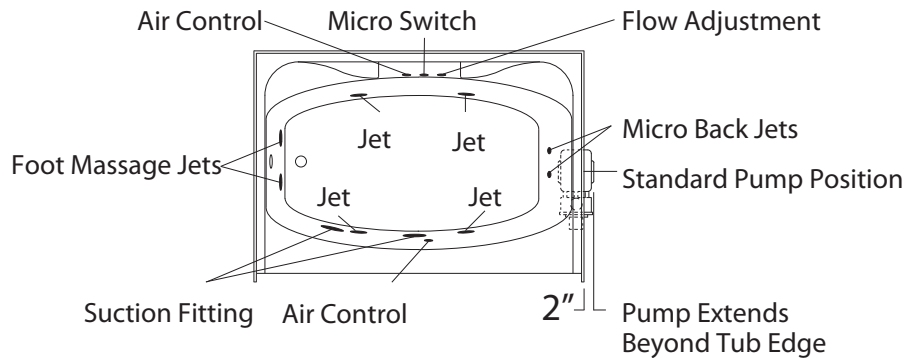
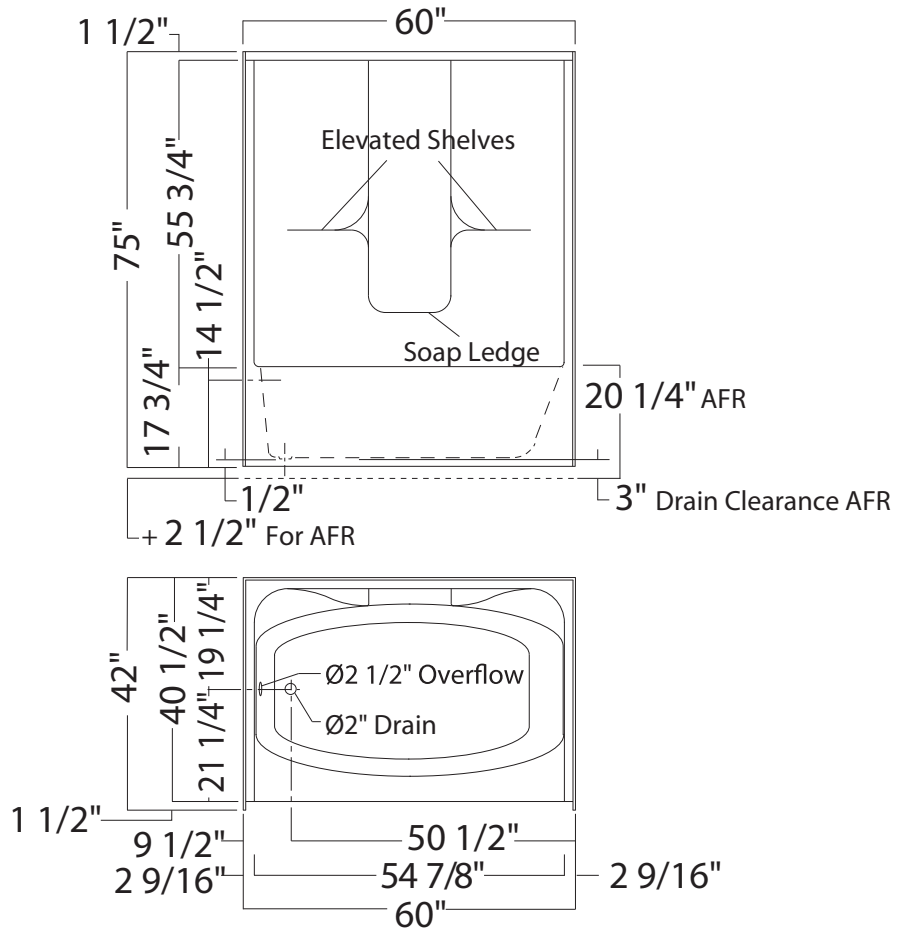
UPGRADE BEFORE ORDERING, NOT AFTER INSTALLATION



Add a touch of luxury to the AKER [Bodywrap whirlpool system](#) with options such as metal trim kit, an ozonator or an in-line water heater.



GTW-4260 (cont'd)



GTWT-4260

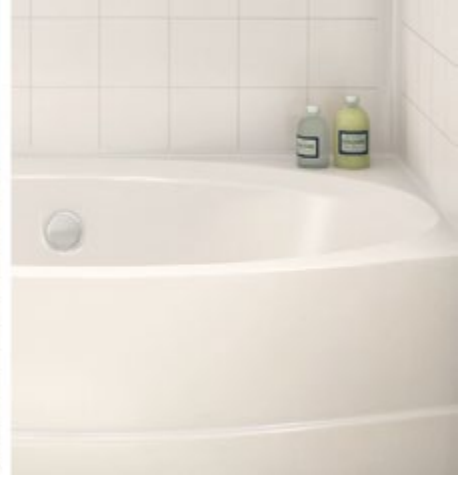
60" x 35" x 71" - Gelcoat

Water Capacity: Min: 38 gal. Max: 49 gal.



- One-piece gelcoated fiberglass tub-shower with 6 in. simulated tile pattern
- Textured floor
- 16 inch deep sump
- Right, left-hand or back center drain (center drain model shown)
- Bottom bathing well: 42 1/2 inch L x 28 3/4 inch W (CTR) 47 1/2 inch x 27 inch (L & R)

GELCOAT TUB SHOWERS



TUB SHOWER MODEL

No	Model	Dimensions	Pkg	Approx. weight	Std Color(s)	Non-std Color(s)
141008-000-XXX	1-Piece tub shower ^{13, 14} 141008-000-XXX Center drain 141008-R-000-XXX Right-hand drain 141008-L-000-XXX Left-hand drain Specify: Standard colors: White (002), Bone (004), Biscuit (007) Non-standard colors: Refer to color chart in this book.	60 X 35 X 71 in. AFR height: 72 in.	107 ft ³	131 lb	\$ 1,132	\$ 1,332
	1-Piece tub shower AFR ^{13, 14} 141008-AFR-000-XXX Above-the-Floor Rough, center drain 141008-AFR/R-000-XXX Above-the-Floor Rough, right-hand drain 141008-AFR/L-000-XXX Above-the-Floor Rough, left-hand drain Specify: Standard colors: White (002), Bone (004), Biscuit (007) Non-standard colors: Refer to color chart in this book.					

WHIRLPOOL SYSTEM

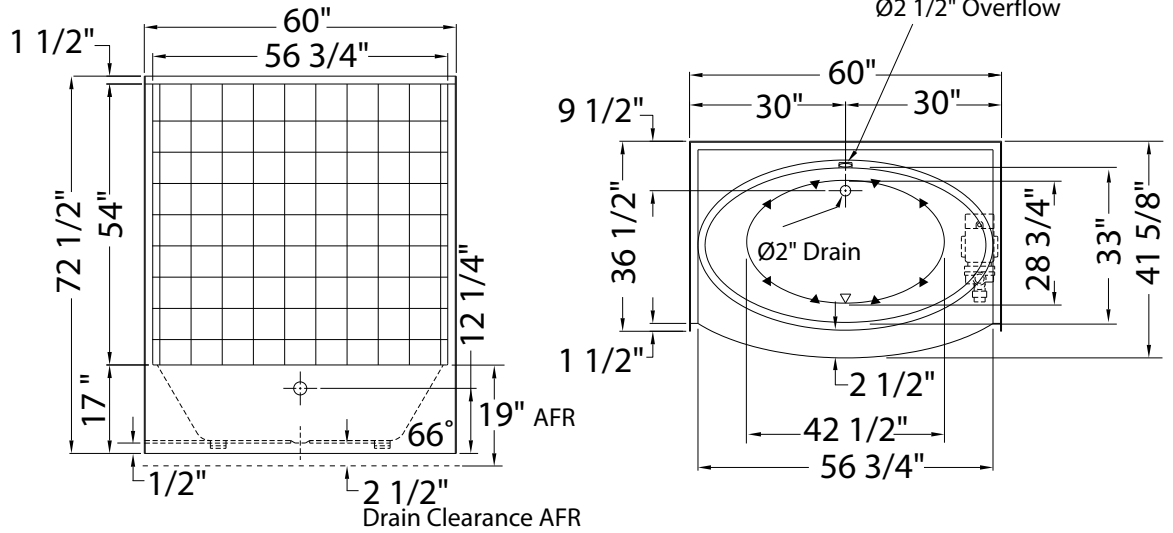
No	Model	Approx. weight	List Price
XXXXXX-058	Homestead whirlpool system with air switch ² (available only on standard color units)	35 lb	Add \$ 941

COMMON OPTIONS

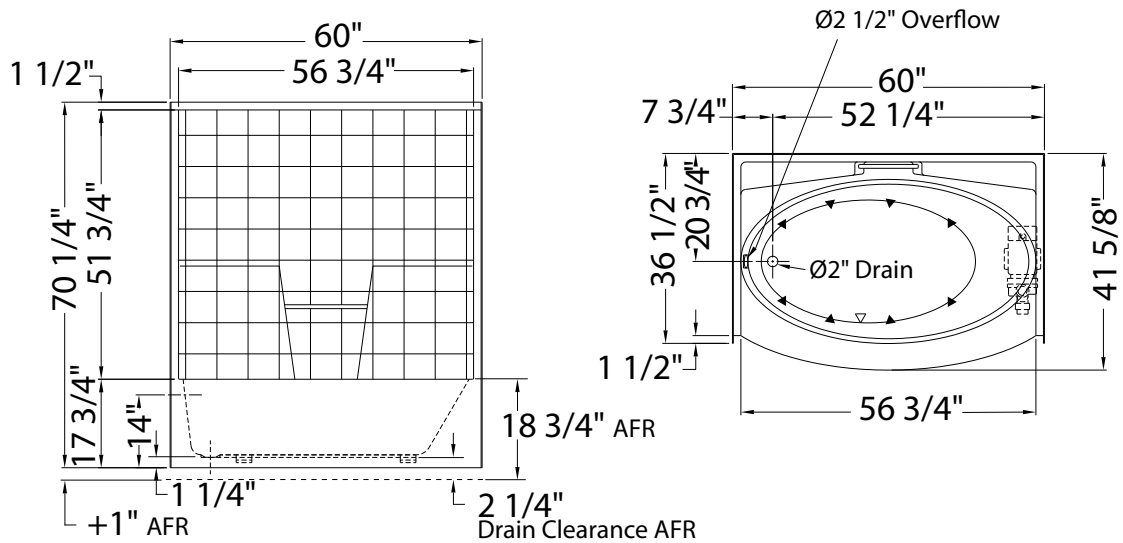
No	Model	Approx. weight	List Price
OPT 10172	In-line heater (factory-installed)	N/A	Add \$ 439
OPT 10174	Pump position opposite standard position ⁴	N/A	Add \$ 71

GTWT-4260 (cont'd)

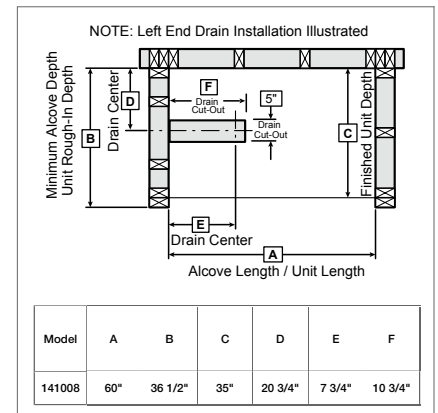
GTWT-4260 Center drain model



GTWT-4260 Left and right hand drain model



All dimensions are approximate. Structure measurements must be verified against the unit to ensure proper fit.



TS-3660

59 7/8" x 35 7/8" x 75 1/8" - Gelcoat

Water Capacity: Max: 44.8 gal.



- One-piece gelcoated fiberglass tub-shower
- Built-in top corner shelves and integrated soap dish
- Right or left-hand drain
- Textured floor
- 14 1/2 inch deep sump

GELCOAT TUB SHOWERS



TUB SHOWER MODEL

No	Model	Dimensions	Pkg	Approx. weight	Std Color(s)	Non-std Color(s)
141227-000-XXX	1-piece tub shower 141227-R-000-XXX Right-hand drain 141227-L-000-XXX Left-hand drain Specify: Standard colors: White (002), Bone (004), Biscuit (007) Non-standard colors: Refer to color chart in this book.	59 7/8 X 35 7/8 X 75 1/8 in. AFR height: 76 5/8 in.	N/A	N/A lb	\$ 846	\$ 1,046
	1-piece tub shower AFR 141227-AFR/R-000-XXX Above-the-Floor Rough, right-hand drain 141227-AFR/L-000-XXX Above-the-Floor Rough, left-hand drain Specify: Standard colors: White (002), Bone (004), Biscuit (007) Non-standard colors: Refer to color chart in this book.					

WHIRLPOOL SYSTEM

No	Model	Approx. weight	List Price
XXXXXX-058	Homestead whirlpool system with air switch ² (available only on standard color units)	35 lb	Add \$ 941

COMMON OPTIONS

No	Model	Approx. weight	List Price
OPT 10172	In-line heater (factory-installed)	N/A	Add \$ 439
OPT 10174	Pump position opposite standard position ⁴	N/A	Add \$ 71

GENERATION + OPTIONS

No	Model	Approx. weight	List Price
OPT 10189	Three-wall reinforcement for future grab bar installation ⁹	N/A	Add \$ 146
OPT 20212-X	Wall reinforcement (one wall) for future grab bar installation ⁹ OPT 20212-R Reinforcement on right wall OPT 20212-L Reinforcement on left wall OPT 20212-B Reinforcement on back wall	N/A	Add \$ 68

TS-3660 (cont'd)

DOORS RECOMMENDED WITH TS-3660

No	Description	Page
134561	Kameleon semi-frameless sliding door 55-59 x 57 in. 6 mm	p. 280
134661	Kameleon SC semi-frameless sliding door 55-59 x 57 in. 6 mm	p. 280
134573	Kameleon semi-frameless sliding door 55-59 x 57 in. 8 mm	p. 280
134670	Kameleon SC semi-frameless sliding door 55-59 x 57 in. 8 mm	p. 280
105410	Polar 2-panel 54-59 1/2 x 57 3/8 in.	p. 286
105409	Mika 2-panel 54 - 59 1/2 x 55 in.	p. 285
136300	Decor Plus 2-panel 59 1/2 x 56 in.	p. 285
138994	Luminescence frameless sliding door 56 1/2-59 x 55 1/2 in. 6 mm	p. 281
136270	Duel frameless sliding door 56-59 x 55 1/2 in. 8 mm	p. 277
139398	Halo sliding tub door 56 1/2-59 x 59 in. 8 mm	p. 279
137500	Edge Tub 30 x 55 1/2 in., 6 mm	p. 278
137501	Edge Square Tub 34 x 58 in., 8 mm	p. 278
137502	Edge Duo Tub 42 x 58 in., 8 mm	p. 278

ABOVE-THE-FLOOR ROUGH, WHAT DOES IT MEAN FOR YOU?

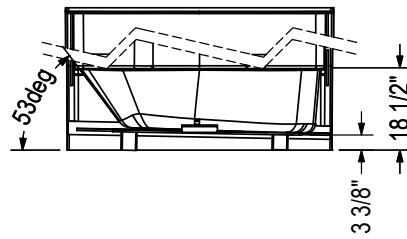
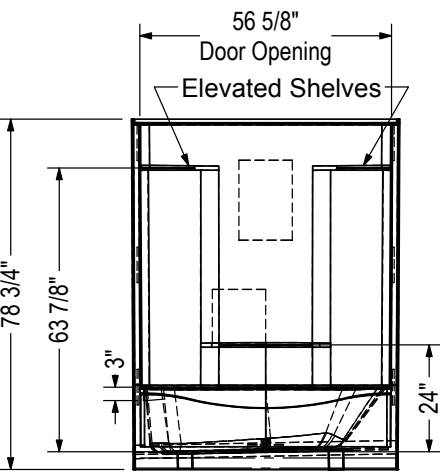
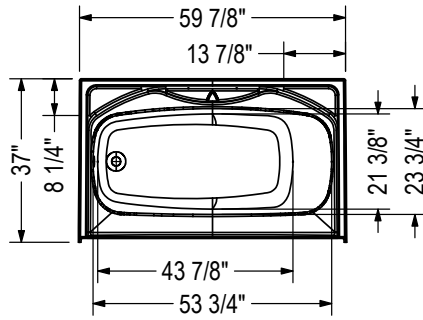
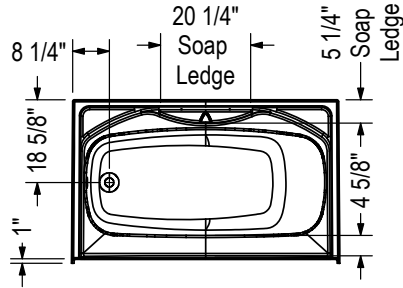
Above-the-Floor Rough or AFR means there is enough space to pipe directly under the bathtub without having to relocate the existing drain. What does this mean for you?

Less time and hassle on the job.

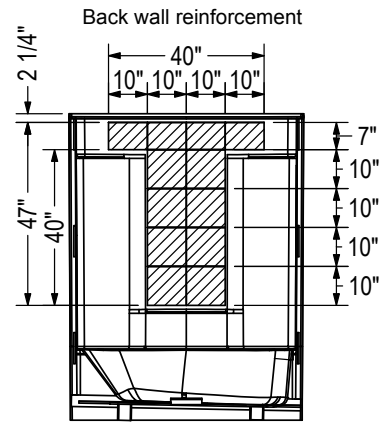
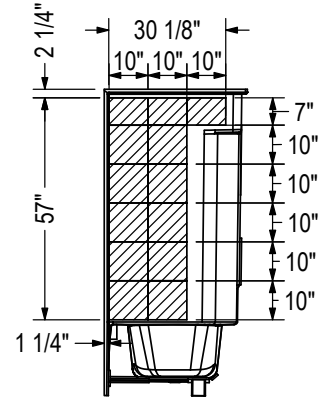


TS-3660 (cont'd)

STANDARD

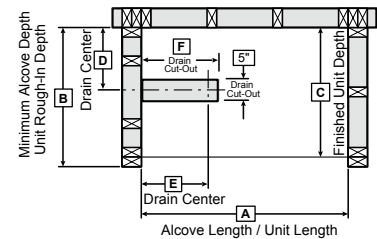


REINFORCEMENT BACKING
Right wall reinforcement shown
Left wall reinforcement symmetrical



All dimensions are approximate. Structure measurements must be verified against the unit to ensure proper fit.

NOTE: Left End Drain Installation Illustrated



Model	A	B	C	D	E
141227	59 7/8"	37 3/8"	35 7/8"	18 5/8"	8 1/4"

SBW-3360

60" x 33" x 77" - Gelcoat

Water Capacity: Min: 27 gal. Max: 40 gal.



- One-piece gelcoated fiberglass tub-shower with comfortable armrests and optional roofcap
- Built-in back wall shelves with integrated soap dish
- Right or left-hand drain
- Textured floor
- 16 inch deep sump



GELCOAT TUB SHOWERS

TUB SHOWER MODEL

No	Model	Dimensions	Pkg	Approx. weight	Std Color(s)	Non-std Color(s)
141002-000-XXX	1-Piece tub shower 141002-R-000-XXX Right-hand drain 141002-L-000-XXX Left-hand drain Specify: Standard colors: White (001), Bone (004), Biscuit (007) Non-standard colors: Refer to color chart in this book.	60 X 33 X 77 in. AFR height: 79 in.	94.54 ft ³	138 lb	\$ 774	\$ 974
	1-Piece tub shower AFR 141002-AFR/R-000-XXX Above-the-Floor Rough, right-hand drain 141002-AFR/L-000-XXX Above-the-Floor Rough, left-hand drain Specify: Standard colors: White (002), Bone (004), Biscuit (007) Non-standard colors: Refer to color chart in this book.					
141003-000-XXX	Gelcoated fiberglass roofcap Specify: Standard colors: White (002), Bone (004), Biscuit (007) Non-standard colors: Refer to color chart in this book.	N/A	16.5 ft ³	28 lb	\$ 310	\$ 360

WHIRLPOOL SYSTEM

No	Model	Approx. weight	List Price
XXXXXX-057	Bodywrap system with micro switch ³	35 lb	Add \$ 1,395

COMMON OPTIONS

No	Model	Approx. weight	List Price
OPT 10171	Light for roofcap (factory-drilled hole)	N/A	Add \$ 171
OPT 10172	In-line heater (factory-installed)	N/A	Add \$ 439
OPT 10174	Pump position opposite standard position ⁴	N/A	Add \$ 71
OPT 20139	Ozonator for whirlpool system (factory installed)	N/A	Add \$ 373
OPT 20209-XXX	Trim Kit for Bodywrap Whirlpool (factory installed) Available colors: Chrome (084), Nickel (105)	N/A	No Charge

SBW-3360 (cont'd)

GENERATION + OPTIONS

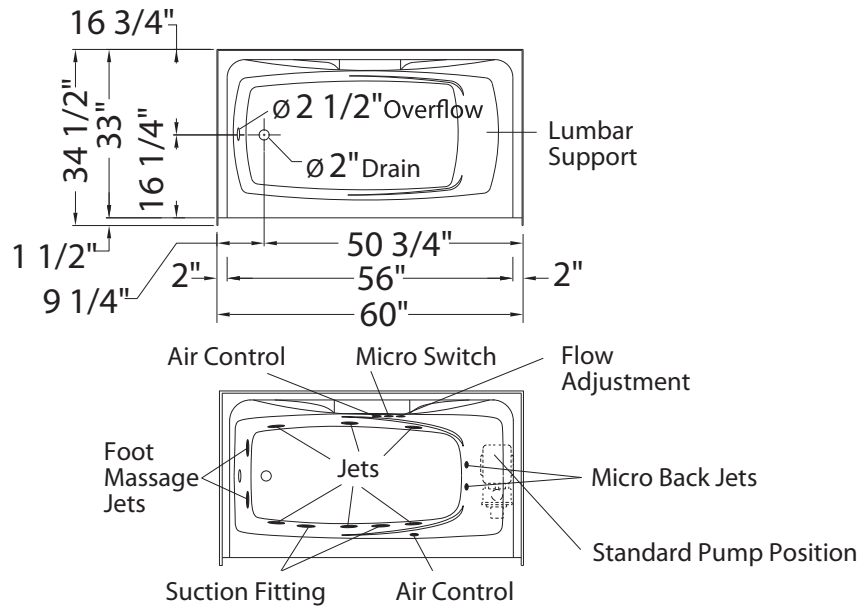
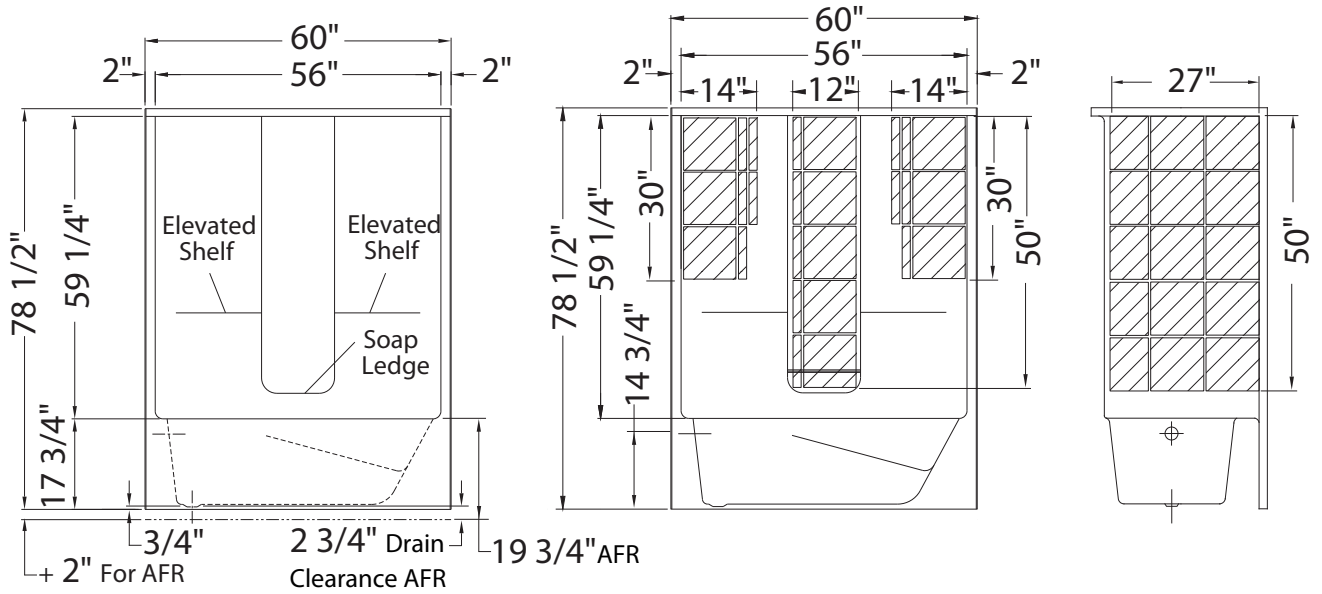
No	Model	Approx. weight	List Price
OPT 10189	Three-wall reinforcement for future grab bar installation ⁹	N/A	Add \$ 146
OPT 20212-X	Wall reinforcement (one wall) for future grab bar installation ⁹ OPT 20212-R Reinforcement on right wall OPT 20212-L Reinforcement on left wall OPT 20212-B Reinforcement on back wall	N/A	Add \$ 68

DOORS RECOMMENDED WITH SBW-3360

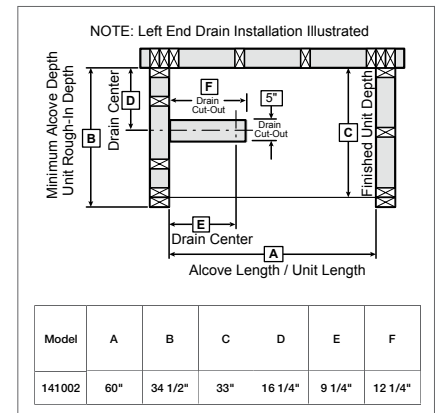
No	Description	Page
134561	Kameleon semi-frameless sliding door 55-59 x 57 in. 6 mm	p. 280
134661	Kameleon SC semi-frameless sliding door 55-59 x 57 in. 6 mm	p. 280
134573	Kameleon semi-frameless sliding door 55-59 x 57 in. 8 mm	p. 280
134670	Kameleon SC semi-frameless sliding door 55-59 x 57 in. 8 mm	p. 280
105410	Polar 2-panel 54-59 1/2 x 57 3/8 in.	p. 286
105409	Mika 2-panel 54 - 59 1/2 x 55 in.	p. 285
136302	Decor Plus 2-panel 56 3/4 x 56 in.	p. 285
138400	Triple Plus 3-panel 59 1/2 x 56 in.	p. 286
138994	Luminescence frameless sliding door 56 1/2-59 x 55 1/2 in. 6 mm	p. 281
136270	Duel frameless sliding door 56-59 x 55 1/2 in. 8 mm	p. 277
139398	Halo sliding tub door 56 1/2-59 x 59 in. 8 mm	p. 279
137500	Edge Tub 30 x 55 1/2 in., 6 mm	p. 278
137501	Edge Square Tub 34 x 58 in., 8 mm	p. 278
137502	Edge Duo Tub 42 x 58 in., 8 mm	p. 278

SBW-3360 (cont'd)

With reinforcement



All dimensions are approximate. Structure measurements must be verified against the unit to ensure proper fit.



TST-3360

60" x 33" x 76 1/2" - Gelcoat

Water Capacity: Min: 54 gal.

- 1-piece gelcoated fiberglass tub-shower with 6 in. simulated tile pattern
- Built-in back wall shelves and integrated soap dish
- Textured floor
- Optional unique feature: Above-the-Floor Rough



TUB SHOWER MODEL

No	Model	Dimensions	Pkg	Approx. weight	Std Color(s)	Non-std Color(s)
105215-000-XXX	1-Piece tub shower 105215-R-000-XXX Right-hand drain 105215-L-000-XXX Left-hand drain Specify: Standard colors: White (002), Bone (004), Biscuit (007) Non-standard colors: Refer to color chart in this book.	60 X 33 X 76 1/2 in. AFR height: 78 1/2 in.	N/A	N/A lb	\$ 782	\$ 982
	1-Piece tub shower AFR 105215-AFR/R-000-XXX Above-the-Floor Rough right-hand drain 105215-AFR/L-000-XXX Above-the-Floor Rough, left-hand drain Specify: Standard colors: White (002), Bone (004), Biscuit (007) Non-standard colors: Refer to color chart in this book.					

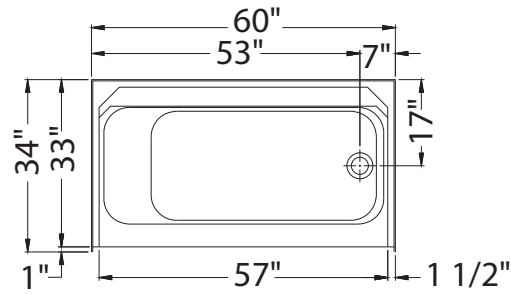
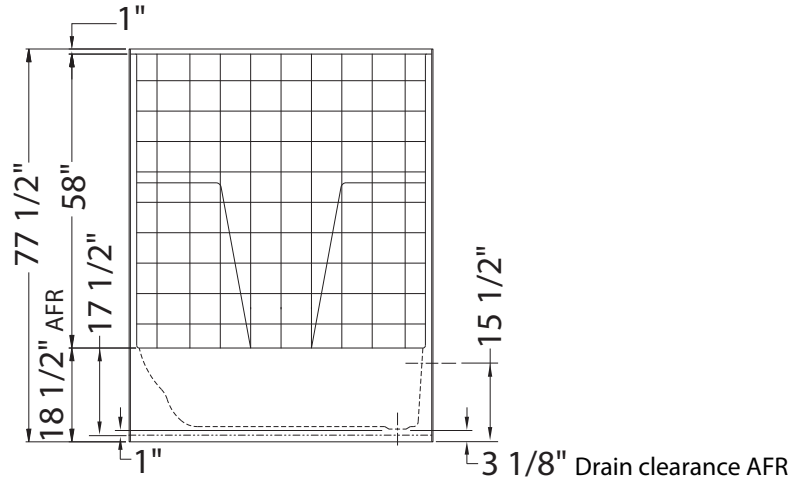
DOORS RECOMMENDED WITH TST-3360

No	Description	Page
138400	Triple Plus 3-panel 59 1/2 x 56 in.	p. 286
105410	Polar 2-panel 54-59 1/2 x 57 3/8 in.	p. 286
105409	Mika 2-panel 54 - 59 1/2 x 55 in.	p. 285
134561	Kameleon semi-frameless sliding door 55-59 x 57 in. 6 mm	p. 280
134661	Kameleon SC semi-frameless sliding door 55-59 x 57 in. 6 mm	p. 280
134573	Kameleon semi-frameless sliding door 55-59 x 57 in. 8 mm	p. 280
134670	Kameleon SC semi-frameless sliding door 55-59 x 57 in. 8 mm	p. 280
136302	Decor Plus 2-panel 56 3/4 x 56 in.	p. 285
138994	Luminescence frameless sliding door 56 1/2-59 x 55 1/2 in. 6 mm	p. 281
136270	Duel frameless sliding door 56-59 x 55 1/2 in. 8 mm	p. 277
139398	Halo sliding tub door 56 1/2-59 x 59 in. 8 mm	p. 279

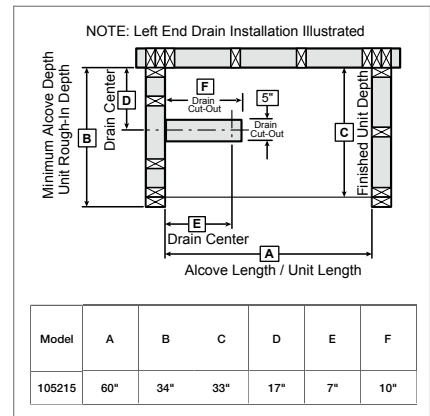
TST-3360 (cont'd)

No	Description	Page
137500	Edge Tub 30 x 55 1/2 in., 6 mm	p. 278
137501	Edge Square Tub 34 x 58 in., 8 mm	p. 278
137502	Edge Duo Tub 42 x 58 in., 8 mm	p. 278

TST-3360 (cont'd)



All dimensions are approximate. Structure measurements must be verified against the unit to ensure proper fit.



GB-60

60" x 33" x 72" - Gelcoat

Water Capacity: Min: 30 gal. Max: 38 gal.



- One-piece gelcoated fiberglass tub-shower
- Built-in back wall shelves and integrated soap dish
- Optional roofcap
- Textured floor
- Right or left drain



TUB SHOWER MODEL

No	Model	Dimensions	Pkg	Approx. weight	Std Color(s)	Non-std Color(s)
141004-000-XXX	1-Piece tub shower 141004-R-000-XXX Right-hand drain 141004-L-000-XXX Left-hand drain Specify: Standard colors: White (002), Bone (004), Biscuit (007) Non-standard colors: Refer to color chart in this book.	60 X 33 X 72 in. AFR height: 73 3/4 in.	86.92 ft ³	120 lb	\$ 710	\$ 910
	1-Piece tub shower AFR 141004-AFR/R-000-XXX Above-the-Floor Rough, right-hand drain 141004-AFR/L-000-XXX Above-the-Floor Rough, left-hand drain Specify: Standard colors: White (002), Bone (004), Biscuit (007) Non-standard colors: Refer to color chart in this book.					
141005-000-XXX	Gelcoated fiberglass roofcap Specify: Standard colors: White (002), Bone (004), Biscuit (007) Non-standard colors: Refer to to the color chart in this book.	N/A	17.63 ft ³	35 lb	\$ 310	\$ 360

WHIRLPOOL SYSTEM

No	Model	Approx. weight	List Price
XXXXXX-058	Homestead whirlpool system with air switch ² (available only on standard color units)	35 lb	Add \$ 941

COMMON OPTIONS

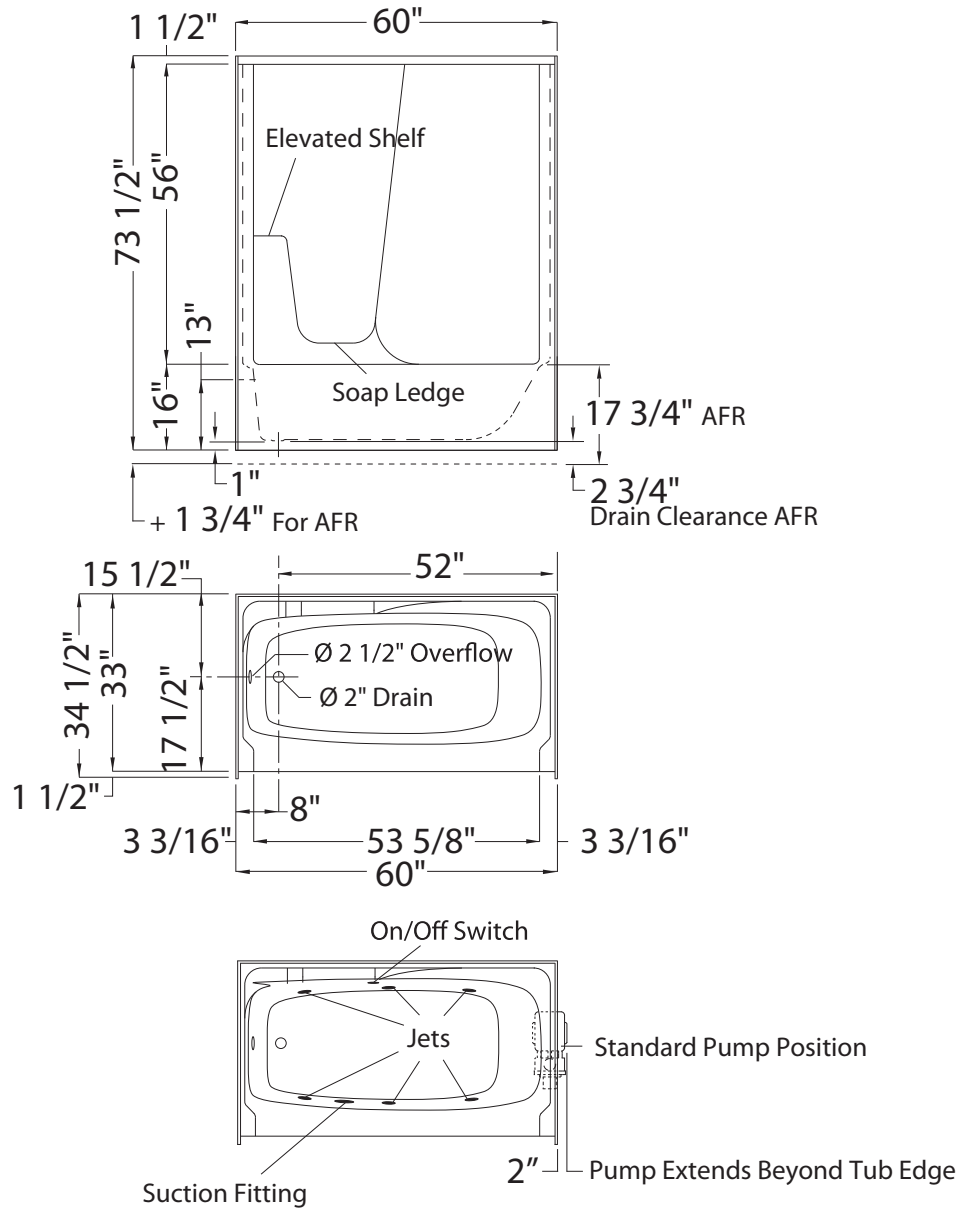
No	Model	Approx. weight	List Price
OPT 10171	Light for roofcap (factory-drilled hole)	N/A	Add \$ 171
OPT 10172	In-line heater (factory-installed)	N/A	Add \$ 439
OPT 10174	Pump position opposite standard position ⁴	N/A	Add \$ 71

GB-60 (cont'd)

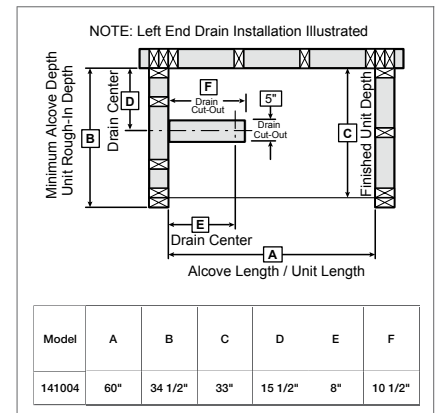
DOORS RECOMMENDED WITH GB-60

No	Description	Page
138308	Triple Plus 3-panel 55 x 56 in.	p. 286
136302	Decor Plus 2-panel 56 3/4 x 56 in.	p. 285
137500	Edge Tub 30 x 55 1/2 in., 6 mm	p. 278
137501	Edge Square Tub 34 x 58 in., 8 mm	p. 278
137502	Edge Duo Tub 42 x 58 in., 8 mm	p. 278

GB-60 (cont'd)



All dimensions are approximate. Structure measurements must be verified against the unit to ensure proper fit.



CM-60

60" x 31 1/2" x 72" - Gelcoat

Water Capacity: Max: 36 gal.

- One-piece gelcoated fiberglass tub-shower
- Built-in back wall shelves with integrated soap dish
- Right or left drain
- Textured floor
- 13 3/4 inch deep sump

GELCOAT TUB SHOWERS



TUB SHOWER MODEL

No	Model	Dimensions	Pkg	Approx. weight	Std Color(s)	Non-std Color(s)
141000-000-XXX	1-piece tub shower 141000-R-000-XXX Right-hand drain 141000-L-000-XXX Left-hand drain Specify: Standard colors: White (002), Bone (004), Biscuit (007) Non-standard colors: Refer to color chart in this book.	60 X 31 1/2 X 72 in. AFR height: 73 3/4 in.	53.4 ft ³	119 lb	\$ 641	\$ 841
	1-piece tub shower AFR 141000-AFR/R-000-XXX Above-the-Floor Rough, right-hand drain 141000-AFR/L-000-XXX Above-the-Floor Rough, left-hand drain Specify: Standard colors: White (002), Bone (004), Biscuit (007) Non-standard colors: Refer to color chart in this book.					

GENERATION + OPTIONS

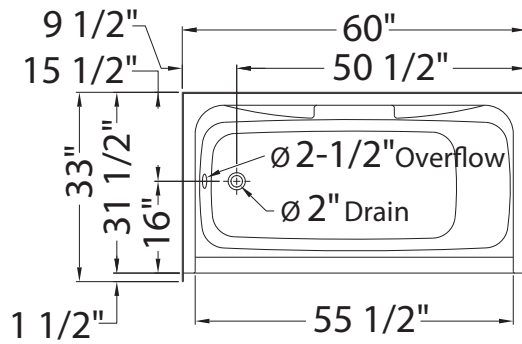
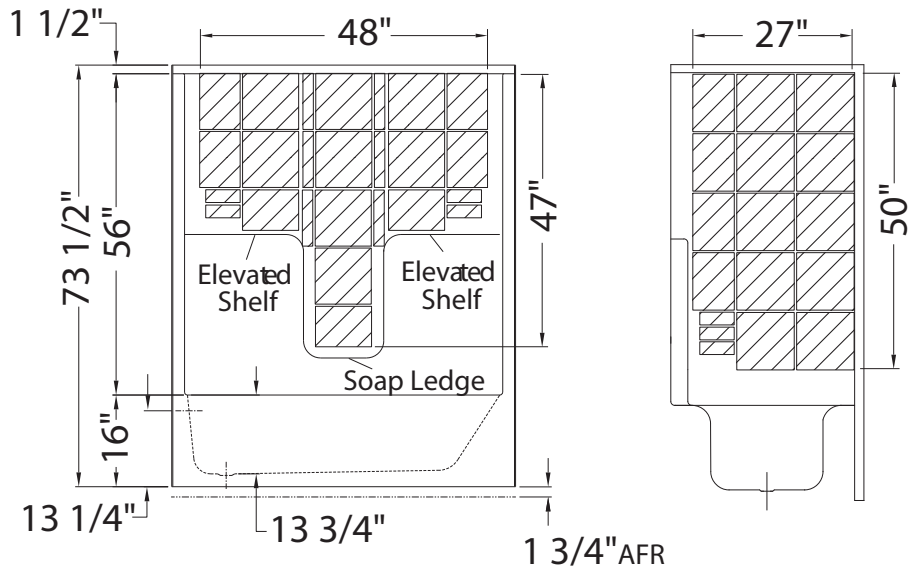
No	Model	Approx. weight	List Price
OPT 10189	Three-wall reinforcement for future grab bar installation ⁹	N/A	Add \$ 146
OPT 20212-X	Wall reinforcement (one wall) for future grab bar installation ⁹ OPT 20212-R Reinforcement on right wall OPT 20212-L Reinforcement on left wall OPT 20212-B Reinforcement on back wall	N/A	Add \$ 68

CM-60 (cont'd)

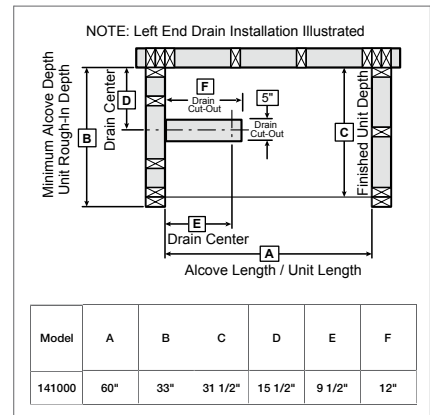
DOORS RECOMMENDED WITH CM-60

No	Description	Page
136302	Decor Plus 2-panel 56 3/4 x 56 in.	p. 285
105409	Mika 2-panel 54 - 59 1/2 x 55 in.	p. 285
138994	Luminescence frameless sliding door 56 1/2-59 x 55 1/2 in. 6 mm	p. 281
136270	Duel frameless sliding door 56-59 x 55 1/2 in. 8 mm	p. 277
137500	Edge Tub 30 x 55 1/2 in., 6 mm	p. 278
137501	Edge Square Tub 34 x 58 in., 8 mm	p. 278
137502	Edge Duo Tub 42 x 58 in., 8 mm	p. 278

CM-60 (cont'd)



All dimensions are approximate. Structure measurements must be verified against the unit to ensure proper fit.



CMT-60

60" x 31 1/2" x 72" - Gelcoat

Water Capacity: Min: 28 gal. Max: 36 gal.

- One-piece gelcoated fiberglass tub-shower with 4 inch simulated tile pattern
- Built-in back wall shelves with integrated soap dish
- Right or left drain
- Textured floor
- 13 3/4 inch deep sump



GELCOAT TUB SHOWERS

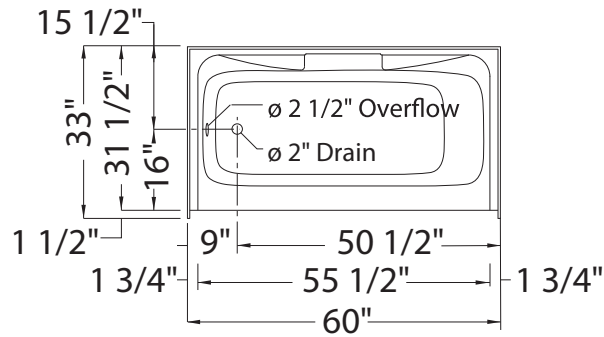
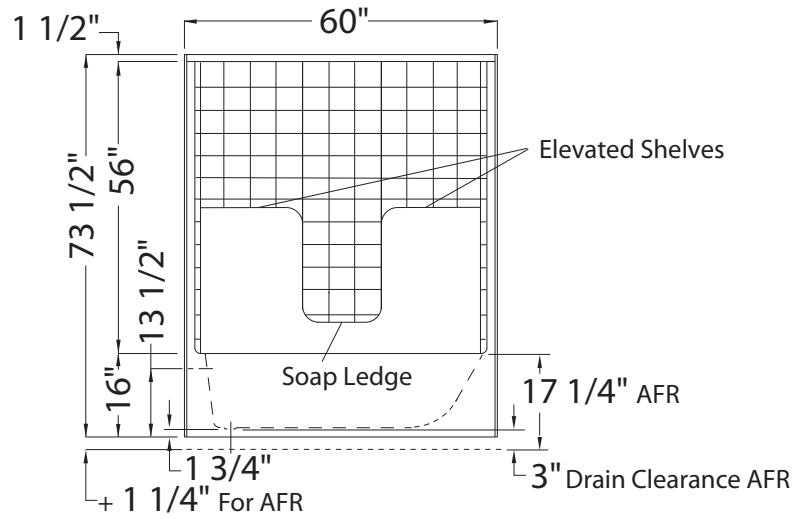
TUB SHOWER MODEL

No	Model	Dimensions	Pkg	Approx. weight	Std Color(s)	Non-std Color(s)
141185-000-XXX	1-Piece tub shower 141185-R-000-XXX Right-hand drain 141185-L-000-XXX Left-hand drain Specify: Standard colors: White (002), Bone (004), Biscuit (007) Non-standard colors: Refer to color chart in this book.	60 X 31 1/2 X 72 in. AFR height: 73 1/4 in.	85.76 ft ³	119 lb	\$ 726	\$ 926
	1-Piece tub shower AFR 141185-AFR/R-000-XXX Above-the-Floor Rough, right-hand drain 141185-AFR/L-000-XXX Above-the-Floor Rough, left-hand drain Specify: Standard colors: White (002), Bone (004), Biscuit (007) Non-standard colors: Refer to color chart in this book.					

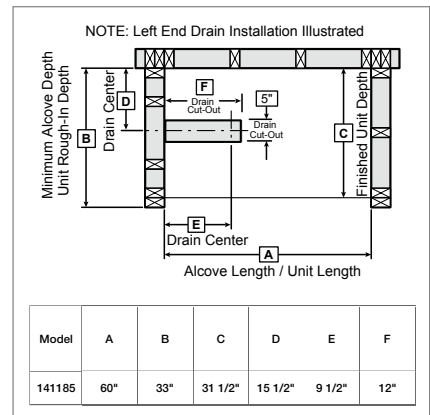
DOORS RECOMMENDED WITH CMT-60

No	Description	Page
136302	Decor Plus 2-panel 56 3/4 x 56 in.	p. 285
105409	Mika 2-panel 54 - 59 1/2 x 55 in.	p. 285
138994	Luminescence frameless sliding door 56 1/2-59 x 55 1/2 in. 6 mm	p. 281
136270	Duel frameless sliding door 56-59 x 55 1/2 in. 8 mm	p. 277
137500	Edge Tub 30 x 55 1/2 in., 6 mm	p. 278
137501	Edge Square Tub 34 x 58 in., 8 mm	p. 278
137502	Edge Duo Tub 42 x 58 in., 8 mm	p. 278

CMT-60 (cont'd)



All dimensions are approximate. Structure measurements must be verified against the unit to ensure proper fit.



TS-3060

60" x 30" x 73 1/4" - Gelcoat

Water Capacity: Min: 25 gal. Max: 36 gal.

- One-piece gelcoated fiberglass tub-shower
- Built-in back wall shelves with integrated soap dish
- Right or left-hand drain
- Textured floor
- 14 1/4 inch deep sump



TUB SHOWER MODEL

No	Model	Dimensions	Pkg	Approx. weight	Std Color(s)	Non-std Color(s)
141132-000-XXX	1-Piece tub shower 141132-R-000-XXX Right-hand drain 141132-L-000-XXX Left-hand drain Specify: Standard colors: White (002), Bone (004), Biscuit (007) Non-standard colors: Refer to color chart in this book.	60 X 30 X 73 1/4 in. AFR height: 74 1/2 in.	60.45 ft ³	120 lb	\$ 649	\$ 849
	1-Piece tub shower AFR 141132-AFR/R-000-XXX Above-the-Floor Rough, right-hand drain 141132-AFR/L-000-XXX Above-the-Floor Rough, left-hand drain Specify: Standard colors: White (002), Bone (004), Biscuit (007) Non-standard colors: Refer to color chart in this book.					

GENERATION + OPTIONS

No	Model	Approx. weight	List Price
OPT 10189	Three-wall reinforcement for future grab bar installation ⁹	N/A	Add \$ 146
OPT 20212-X	Wall reinforcement (one wall) for future grab bar installation ⁹ OPT 20212-R Reinforcement on right wall OPT 20212-L Reinforcement on left wall OPT 20212-B Reinforcement on back wall	N/A	Add \$ 68

DOORS RECOMMENDED WITH TS-3060

No	Description	Page
134561	Kameleon semi-frameless sliding door 55-59 x 57 in. 6 mm	p. 280
134661	Kameleon SC semi-frameless sliding door 55-59 x 57 in. 6 mm	p. 280
134573	Kameleon semi-frameless sliding door 55-59 x 57 in. 8 mm	p. 280
134670	Kameleon SC semi-frameless sliding door 55-59 x 57 in. 8 mm	p. 280

TS-3060 (cont'd)

No	Description	Page
105410	Polar 2-panel 54-59 1/2 x 57 3/8 in.	p. 286
105409	Mika 2-panel 54 - 59 1/2 x 55 in.	p. 285
138400	Triple Plus 3-panel 59 1/2 x 56 in.	p. 286
136302	Decor Plus 2-panel 56 3/4 x 56 in.	p. 285
136270	Duel frameless sliding door 56-59 x 55 1/2 in. 8 mm	p. 277
138994	Luminescence frameless sliding door 56 1/2-59 x 55 1/2 in. 6 mm	p. 281
137500	Edge Tub 30 x 55 1/2 in., 6 mm	p. 278
137501	Edge Square Tub 34 x 58 in., 8 mm	p. 278
137502	Edge Duo Tub 42 x 58 in., 8 mm	p. 278

You need more information
on **MAAX shower doors?**



Refer to the
MAAX Professional Price List



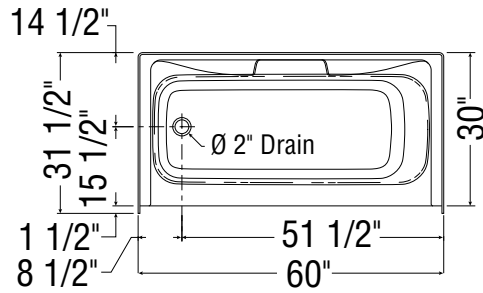
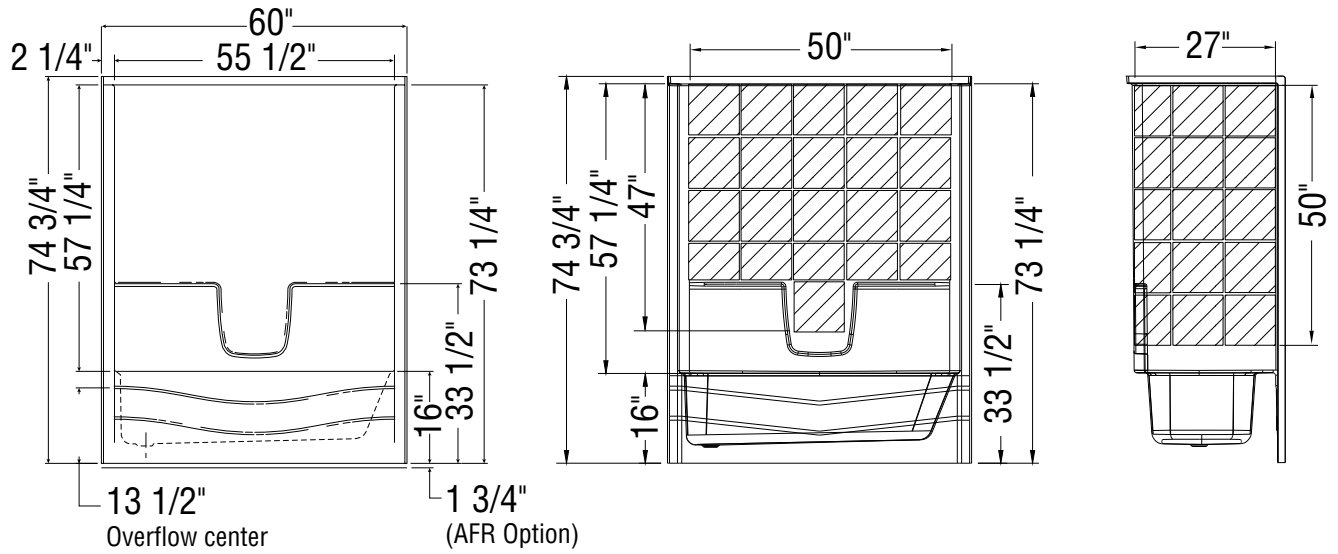
Click or type the link below to download

WWW.MAAX.COM/PARTNERPORTAL

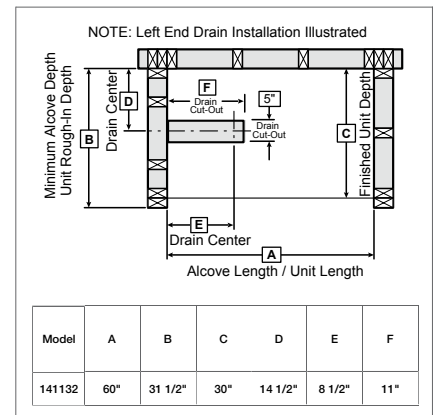
Now also available on the Partner Portal!
Information at your fingertips

TS-3060 (cont'd)

With reinforcement



All dimensions are approximate. Structure measurements must be verified against the unit to ensure proper fit.



Showers



SHLS/RS-48 ALCOVE SHOWER



Reference Guide: One-piece Showers

GELCOAT ALCOVE SHOWERS

SHLS/RS-60	p. 158 60 x 36 x 77	S-60	p. 161 60 x 36 x 75	SHT-60	p. 163 60 x 35 x 72
					
ALCOVE		ALCOVE		ALCOVE	

SHLS/RS-48	p. 165 48 x 36 x 77	S-48	p. 168 48 x 36 x 75	NS-48	p. 170 48 x 35 x 72
					
ALCOVE		ALCOVE		ALCOVE	

SHRST/LST-48	p. 172 48 x 35 x 74	SHW-48	p. 174 48 x 35 x 82	S-42	p. 176 42 x 35 x 72
					
ALCOVE		ALCOVE		ALCOVE	

S-36	p. 178 36 x 36 x 72	S-36T	p. 181 36 x 36 x 72	S-32	p. 183 32 x 32 x 72
					
ALCOVE		ALCOVE		ALCOVE	

Reference Guide: One-piece Showers (cont'd)

GELCOAT CORNER SHOWERS

SH-NA	p. 185
	38 x 38 x 78
CORNER	

SHLS/RS-60

60" x 36" x 76 1/2" - Gelcoat

- One-piece gelcoated fiberglass shower with optional roofcap
- Two-level built-in corner shelves
- Right or left-hand seat with integrated footrest (opposite to seat)
- Center drain
- Textured floor
- Optional unique feature: Above-the-Floor Rough

GELCOAT ALCOVE SHOWERS



SHOWER MODEL

No	Model	Dimensions	Pkg	Approx. weight	Std Color(s)	Non-std Color(s)
141036-000-XXX	1-Piece shower 141036-R-000-XXX Right-hand seat and center drain 141036-L-000-XXX Left-hand seat and center drain Specify: Standard colors: White (002), Bone (004), Biscuit (007) Non-standard colors: Refer to color chart in this book.	60 X 36 X 76 1/2 in.	99.57 ft ³	126 lb	\$ 825	\$ 925
	1-Piece shower AFR 141036-AFR/R-000-XXX Above-the-Floor Rough, right-hand seat and center drain 141036-AFR/L-000-XXX Above-the-Floor Rough, left-hand seat and center drain Specify: Standard colors: White (002), Bone (004), Biscuit (007) Non-standard colors: Refer to color chart in this book.					
141037-000-XXX	Gelcoated fiberglass roofcap Specify: Standard colors: White (002), Bone (004), Biscuit (007) Non-standard colors: Refer to the chart in this book.	N/A	18 ft ³	28 lb	\$ 310	\$ 360

COMMON OPTIONS

No	Model	Approx. weight	List Price
OPT 10171	Light for roofcap (factory-drilled hole)	N/A	Add \$ 171

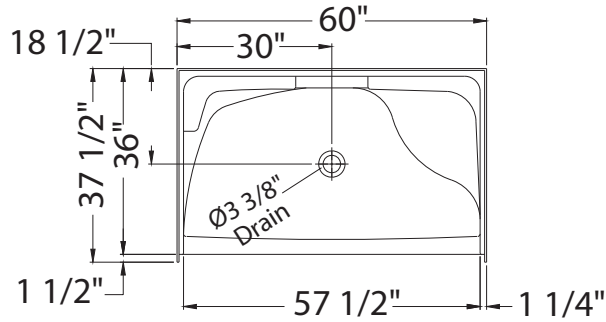
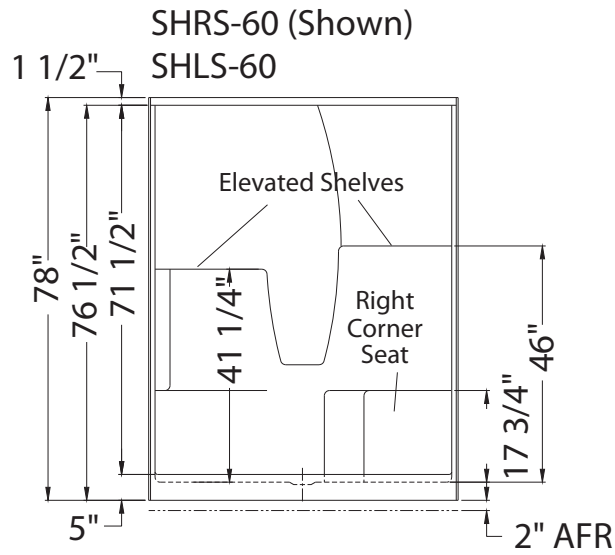
DOORS RECOMMENDED WITH SHLS/RS-60

No	Description	Page
136457	Kleara 2-panel 54 1/2-57 1/2 x 69 in. 6 mm	p. 283
136458	Kleara 2-panel 57 1/2-60 1/2 x 69 in. 6 mm	p. 283
134572	Kameleon semi-frameless sliding door 55-59 x 71 in. 8 mm	p. 280

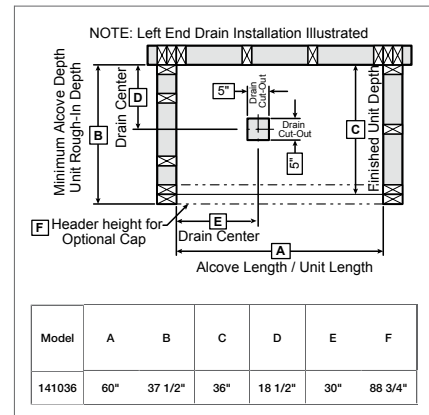
SHLS/RS-60 (cont'd)

No	Description	Page
134675	Kameleon SC semi-frameless sliding door 55-59 x 71 in. 8 mm	p. 280
134565	Kameleon semi-frameless sliding door 55-59 x 71 in. 6 mm	p. 280
134665	Kameleon SC semi-frameless sliding door 55-59 x 71 in. 6 mm	p. 280
138993	Luminescence frameless sliding door 56 1/2-59 x 70 1/2 in. 6 mm	p. 281
136272	Duel frameless sliding door 56-59 x 70 1/2 in. 8 mm	p. 277

SHLS/RS-60 (cont'd)



All dimensions are approximate. Structure measurements must be verified against the unit to ensure proper fit.



S-60

60" x 35 1/2" x 74 1/2" - Gelcoat

- One-piece gelcoated fiberglass shower with optional roofcap
- Built-in corner shelves
- Twin seats
- Center drain
- Textured floor



SHOWER MODEL

No	Model	Dimensions	Pkg	Approx. weight	Std Color(s)	Non-std Color(s)
141029-000-XXX	1-piece shower 141029-000-XXX Twin seats and center drain Specify: Standard colors: White (002), Bone (004), Biscuit (007) Non-standard colors: Refer to color chart in this book.	60 X 35 1/2 X 74 1/2 in.	98.53 ft ³	135 lb	\$ 797	\$ 897
141030-000-XXX	Gelcoated fiberglass roofcap Specify: Standard colors: White (002), Bone (004), Biscuits (007) Non-standard colors: Refer to color chart in this book.	N/A	18 ft ³	35 lb	\$ 310	\$ 360

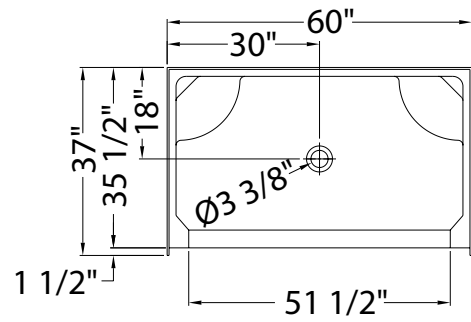
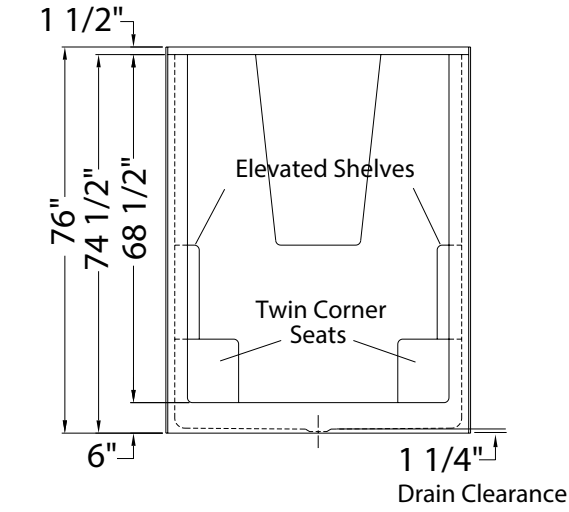
COMMON OPTIONS

No	Model	Approx. weight	List Price
OPT 10171	Light for roofcap (factory-drilled hole)	N/A	Add \$ 171

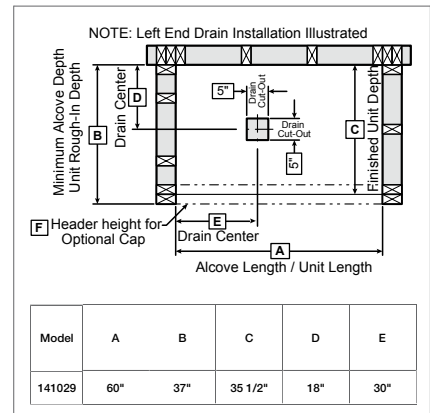
DOORS RECOMMENDED WITH S-60

No	Description	Page
138313	Triple Plus 3-panel 52 1/2 x 66 in.	p. 286

S-60 (cont'd)



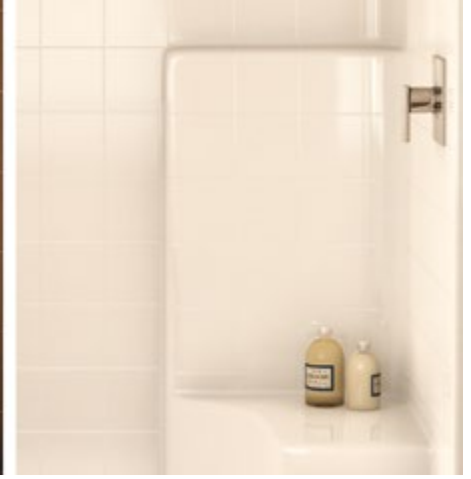
All dimensions are approximate. Structure measurements must be verified against the unit to ensure proper fit.



SHT-60

60" x 35" x 72 1/4" - Gelcoat

- One-piece gelcoated fiberglass shower with 6 inch simulated tile pattern
- Built-in back wall shelves
- Twin seats
- Center drain
- Textured floor



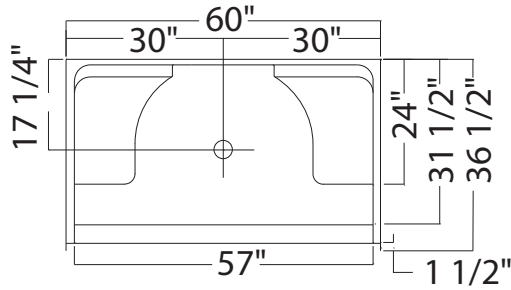
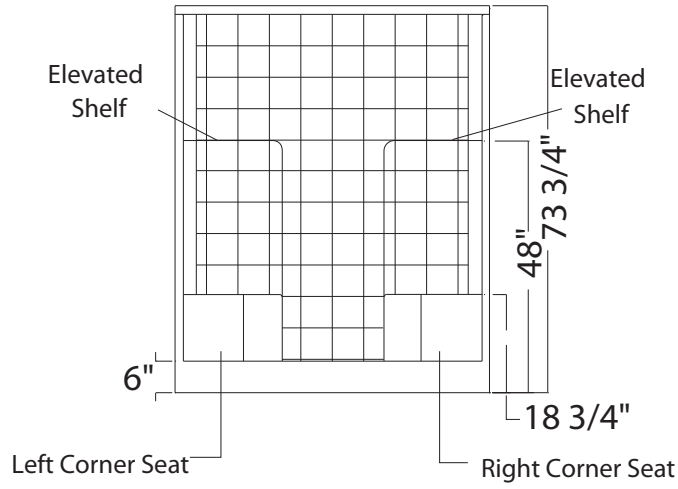
SHOWER MODEL

No	Model	Dimensions	Pkg	Approx. weight	Std Color(s)	Non-std Color(s)
141032-000-XXX	1-piece shower 141032-000-XXX Twin seats and center drain Specify: Standard colors: White (002), Bone (004), Biscuit (007) Non-standard colors: Refer to color chart in this book.	60 X 35 X 72 1/4 in.	89.98 ft ³	133 lb	\$ 879	\$ 979

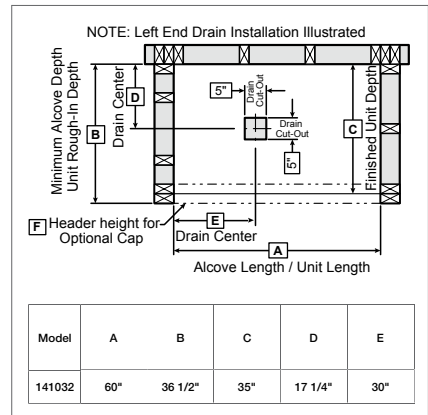
DOORS RECOMMENDED WITH SHT-60

No	Description	Page
138315	Triple Plus 3-panel 58 x 66 in.	p. 286

SHT-60 (cont'd)



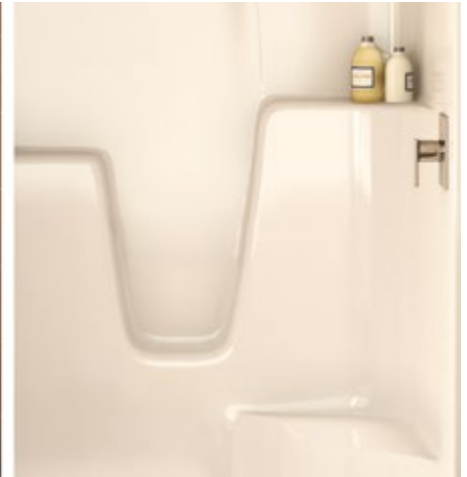
All dimensions are approximate. Structure measurements must be verified against the unit to ensure proper fit.



SHLS/RS-48

48 1/4" x 36 " x 76 1/2" - Gelcoat

- One-piece gelcoated fiberglass shower with optional roofcap
- Two-level built-in corner shelves
- Right or left-hand seat
- Center drain
- Textured floor
- Optional unique feature: Above-the-Floor Rough



SHOWER MODEL

No	Model	Dimensions	Pkg	Approx. weight	Std Color(s)	Non-std Color(s)
141033-000-XXX	1-Piece shower 141033-R-000-XXX Right-hand seat and center drain 141033-L-000-XXX Left-hand seat and center drain Specify: Standard colors: White (002), Bone (004), Biscuit (007) Non-standard colors: Refer to color chart in this book.	48 1/4 X 36 X 76 1/2 in. AFR height: 78 1/2 in.	79.91 ft ³	106 lb	\$ 702	\$ 802
	1-Piece shower AFR 141033-AFR/R-000-XXX Above-the-Floor Rough, right-hand seat and center drain 141033-AFR/L-000-XXX Above-the-Floor Rough, left-hand seat and center drain Specify: Standard colors: White (002), Bone (004), Biscuit (007) Non-standard colors: Refer to color chart in this book.					
141034-000-XXX	Gelcoated fiberglass roofcap Specify: Standard colors: White (002), Bone (004), Biscuit (007) Non standard colors: Refer to the color chart in this book.	N/A	14.5 ft ³	28 lb	\$ 286	\$ 336

COMMON OPTIONS

No	Model	Approx. weight	List Price
OPT 10171	Light for roofcap (factory-drilled hole)	N/A	Add \$ 171

DOORS RECOMMENDED WITH SHLS/RS-48

No	Description	Page
136454	Kleara 2-panel 45 1/2-48 1/2 x 69 in. 6 mm	p. 283
105413	Polar 2-panel 42-47 1/2 x 68 in.	p. 286
136671	Reveal 71 pivot door 44-47 x 71 1/2 in. 8 mm	p. 282

SHLS/RS-48 (cont'd)

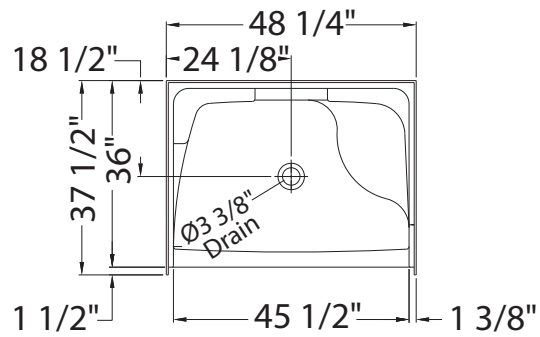
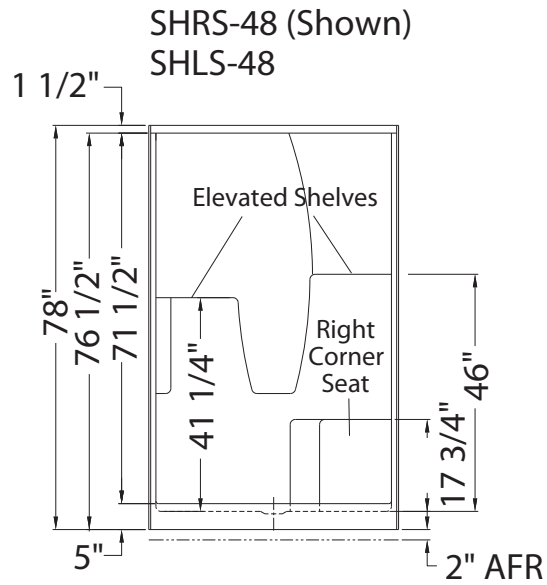
No	Description	Page
134571	Kameleon semi-frameless sliding door 43-47 x 71 in. 8 mm	p. 280
134674	Kameleon SC semi-frameless sliding door 43-47 x 71 in. 8 mm	p. 280
134663	Kameleon SC semi-frameless sliding door 43-47 x 71 in. 6 mm	p. 280
134663	Kameleon SC semi-frameless sliding door 43-47 x 71 in. 6 mm	p. 280
136453	Kleara 2-panel 42 1/2-45 1/2 x 69 in. 6 mm	p. 283
136271	Duel frameless sliding door 44-47 x 70 1/2 in. 8 mm	p. 277
138992	Luminescence frameless sliding door 44 1/2-47 x 70 1/2 in. 6 mm	p. 281

TOUGH FROM BOTTOM UP

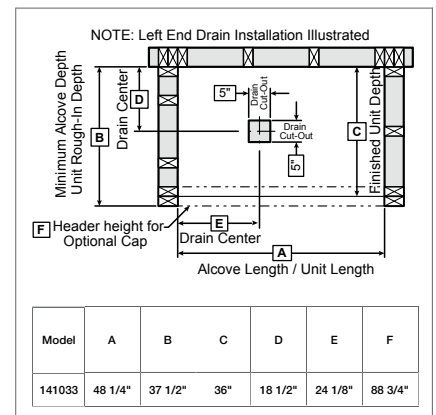
We use 1/2" of balsa wood, sandwiched between layers of reinforced fiberglass, to stabilize our four-part "Anti-flex" construction. Balsa wood is unique from other woods; it's extremely light but remarkably strong. The balsa wood is constructed to conform with the contours of the unit's base for maximum surface contact, ensuring superior base strength that eliminates floor fatigue and adds years of life to our products.



SHLS/RS-48 (cont'd)



All dimensions are approximate. Structure measurements must be verified against the unit to ensure proper fit.



S-48

48" x 36" x 75" - Gelcoat

- One-piece gelcoated fiberglass shower with optional roofcap
- Built-in corner shelves
- Twin seats
- Center drain
- Textured floor

GELCOAT ALCOVE SHOWERS



SHOWER MODEL

No	Model	Dimensions	Pkg	Approx. weight	Std Color(s)	Non-std Color(s)
141027-000-XXX	1-piece shower 141027-000-XXX Twin seats and center drain Specify: Standard colors: White (002), Bone (004), Biscuit (007) Non-standard colors: Refer to color chart in this book.	48 X 36 X 75 in.	79.14 ft ³	118 lb	\$ 696	\$ 796
141028-000-XXX	Gelcoated fiberglass roofcap Specify: Standard colors: White (002), Bone (004), Biscuit (007) Non-Standard colors: Refer to the color chart in this book.	N/A	14.21 ft ³	28 lb	\$ 286	\$ 336

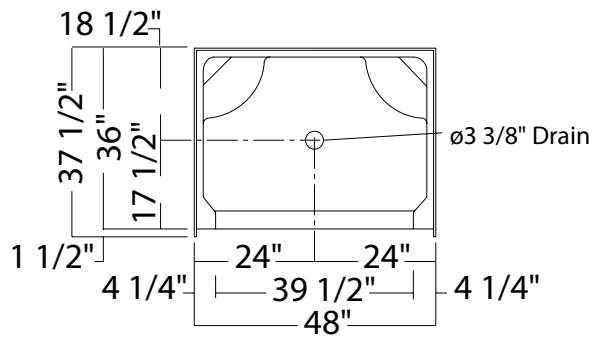
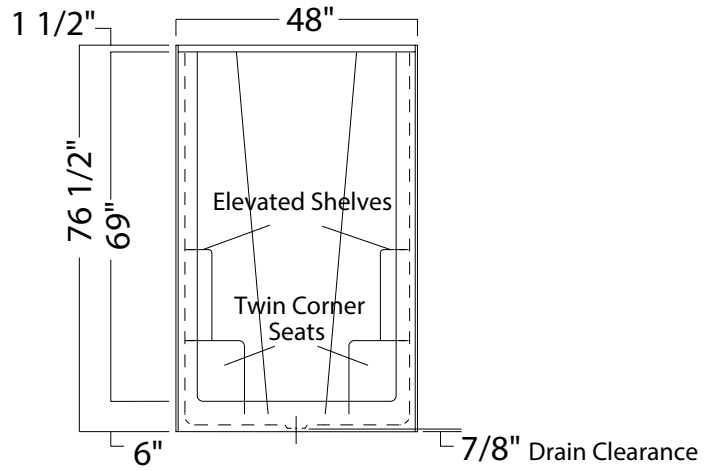
COMMON OPTIONS

No	Model	Approx. weight	List Price
OPT 10171	Light for roofcap (factory-drilled hole)	N/A	Add \$ 171

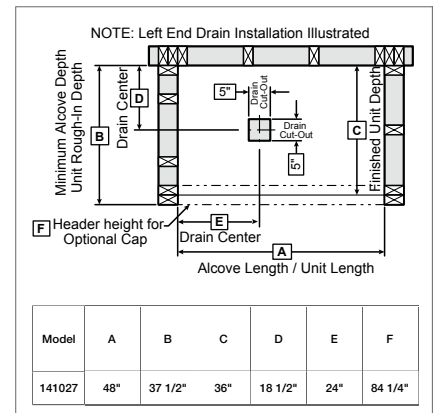
DOORS RECOMMENDED WITH S-48

No	Description	Page
138293	Triple Plus 3-panel 40 x 66 in.	p. 286
136452	Kleara 2-panel 39 1/2-42 1/2 x 69 in. 6 mm	p. 283
136451	Kleara 2-panel 36 1/2-39 1/2 x 69 in. 6 mm	p. 283

S-48 (cont'd)



All dimensions are approximate. Structure measurements must be verified against the unit to ensure proper fit.



NS-48

48" x 35 1/4" x 72" - Gelcoat

- One-piece gelcoated fiberglass shower
- Built-in wide corner shelves
- Center drain
- Textured floor
- Optional unique feature: Reinforced walls

GELCOAT ALCOVE SHOWERS



SHOWER MODEL

No	Model	Dimensions	Pkg	Approx. weight	Std Color(s)	Non-std Color(s)
141026-000-XXX	1-piece shower 141026-000-XXX Center drain Specify: Standard colors: White (002), Bone (004), Biscuit (007) Non-standard colors: Refer to color chart in this book.	48 X 35 1/4 X 72 in.	74.25 ft ³	107 lb	\$ 711	\$ 811

GENERATION + OPTIONS

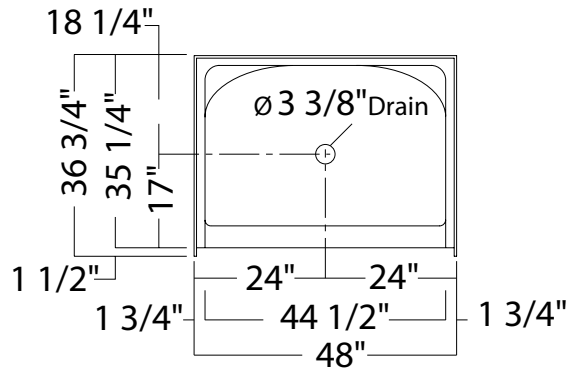
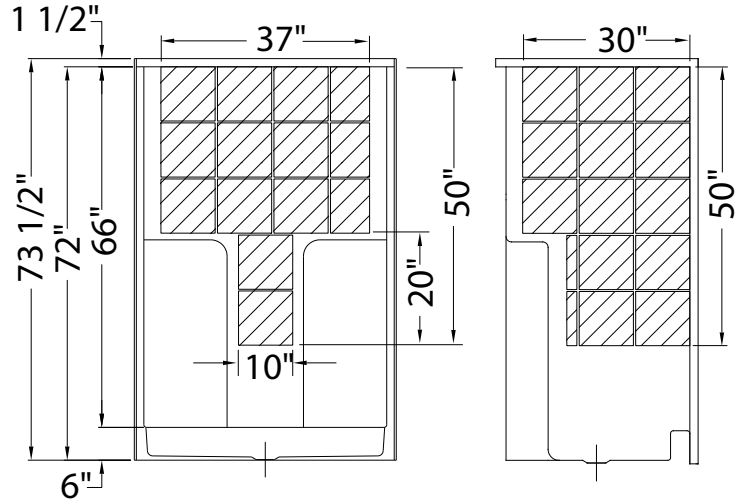
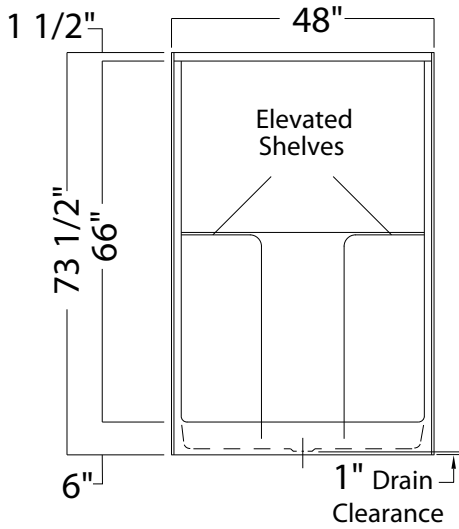
No	Model	Approx. weight	List Price
OPT 10189	Three-wall reinforcement for future grab bar installation ⁹	N/A	Add \$ 146
OPT 20212-X	Wall reinforcement (one wall) for future grab bar installation ⁹ OPT 20212-R Reinforcement on right wall OPT 20212-L Reinforcement on left wall OPT 20212-B Reinforcement on back wall	N/A	Add \$ 68

DOORS RECOMMENDED WITH NS-48

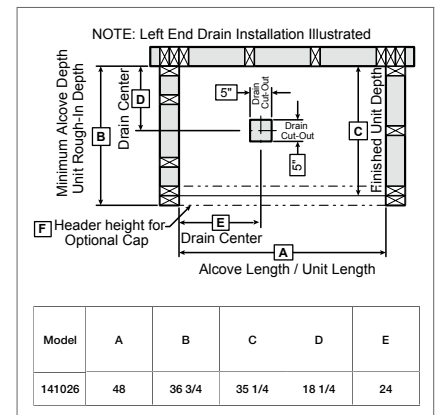
No	Description	Page
138296	Triple Plus 3-panel 44 1/2 x 66 in.	p. 286

NS-48 (cont'd)

With reinforcement



All dimensions are approximate. Structure measurements must be verified against the unit to ensure proper fit.



SHRST/LST-48

48" x 35" x 73 3/4" - Gelcoat

- One-piece gelcoated fiberglass shower with 6 inch simulated tile pattern
- Built-in back wall shelves
- Right or left-hand seat
- Center drain
- Textured floor

GELCOAT ALCOVE SHOWERS



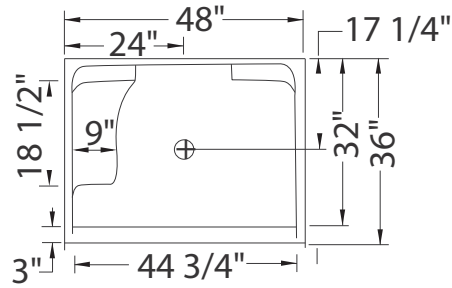
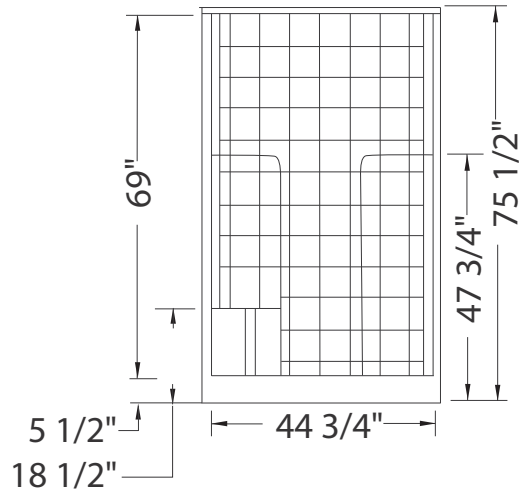
SHOWER MODEL

No	Model	Dimensions	Pkg	Approx. weight	Std Color(s)	Non-std Color(s)
141035-000-XXX	1-piece shower 141035-R-000-XXX Right-hand seat and center drain 141035-L-000-XXX Left-hand seat and center drain Specify: Standard colors: White (002), Bone (004), Biscuit (007) Non-standard colors: Refer to color chart in this book.	48 X 35 X 73 3/4 in.	78.22 ft ³	106 lb	\$ 751	\$ 851

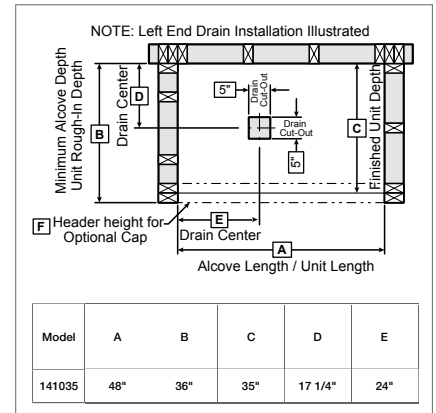
DOORS RECOMMENDED WITH SHRST/LST-48

No	Description	Page
138296	Triple Plus 3-panel 44 1/2 x 66 in.	p. 286
136453	Kleara 2-panel 42 1/2-45 1/2 x 69 in. 6 mm	p. 283
105413	Polar 2-panel 42-47 1/2 x 68 in.	p. 286

SHRST/LST-48 (cont'd)



All dimensions are approximate. Structure measurements must be verified against the unit to ensure proper fit.



SHW-48

47 7/8" x 34 1/2" x 82" - Gelcoat

- One-piece gelcoated fiberglass shower
- Built-in corner shelves
- Right/left-hand seat or no seat
- Center drain
- Optional unique feature: Reinforced walls
- Textured floor

GELCOAT ALCOVE SHOWERS



SHOWER MODEL

No	Model	Dimensions	Pkg	Approx. weight	Std Color(s)	Non-std Color(s)
141135-000-XXX	1-Piece shower 141135-R-000-XXX With right-hand seat 141135-L-000-XXX With left-hand seat 141135-000-XXX No seat Specify: Standard colors: White (002), Bone (004), Biscuit (007) Non-standard colors: Refer to the color chart in this book.	47 7/8 X 34 1/2 X 82 in.	80.36 ft ³	90 lb	\$ 676	\$ 776

GENERATION + OPTIONS

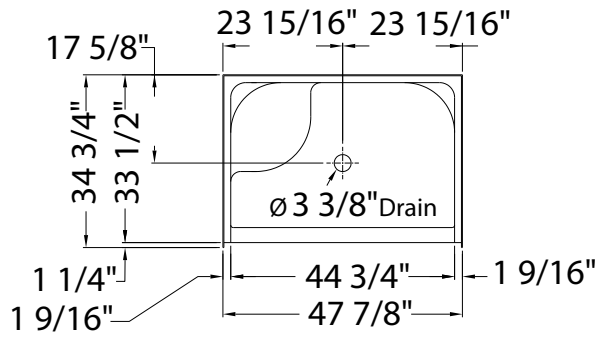
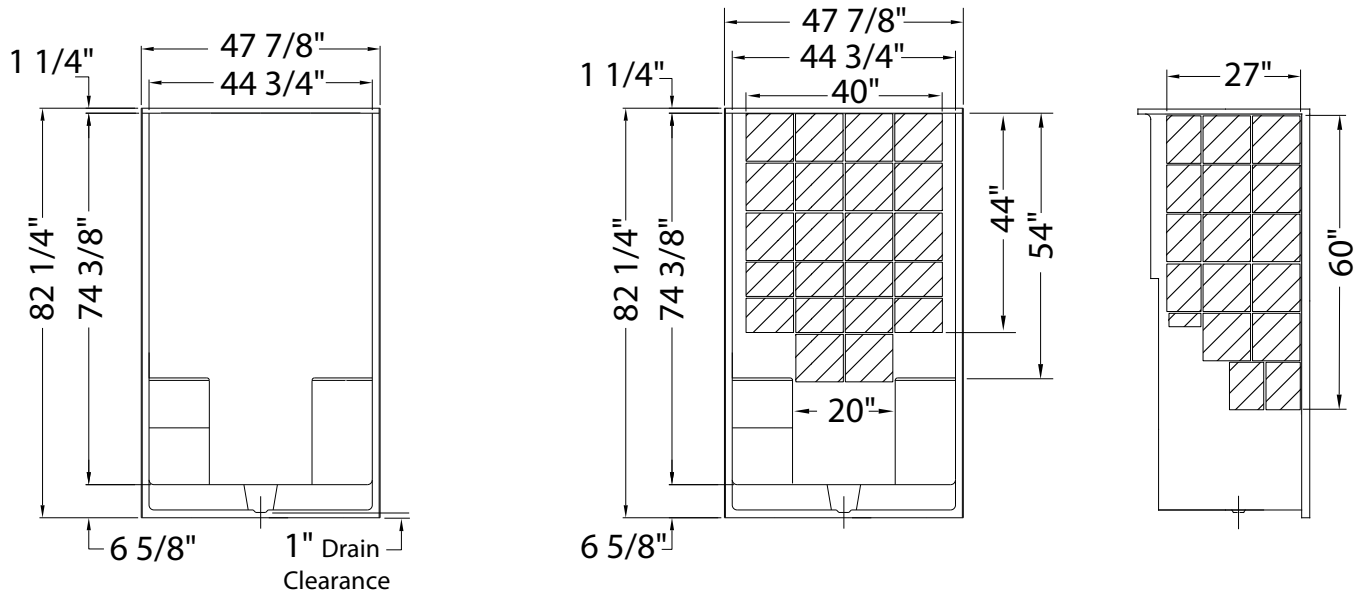
No	Model	Approx. weight	List Price
OPT 10189	Three-wall reinforcement for future grab bar installation ⁹	N/A	Add \$ 146
OPT 20212-X	Wall reinforcement (one wall) for future grab bar installation ⁹ OPT 20212-R Reinforcement on right wall OPT 20212-L Reinforcement on left wall OPT 20212-B Reinforcement on back wall	N/A	Add \$ 68

DOORS RECOMMENDED WITH SHW-48

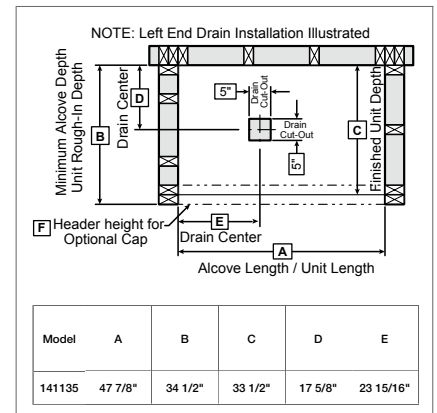
No	Description	Page
136453	Kleara 2-panel 42 1/2-45 1/2 x 69 in. 6 mm	p. 283
105413	Polar 2-panel 42-47 1/2 x 68 in.	p. 286
136671	Reveal 71 pivot door 44-47 x 71 1/2 in. 8 mm	p. 282
134562	Kameleon semi-frameless sliding door 40-44 x 71 in. 6 mm	p. 280
134662	Kameleon SC semi-frameless sliding door 40-44 x 71 in. 6 mm	p. 280
134571	Kameleon semi-frameless sliding door 43-47 x 71 in. 8 mm	p. 280
134674	Kameleon SC semi-frameless sliding door 43-47 x 71 in. 8 mm	p. 280
138992	Luminescence frameless sliding door 44 1/2-47 x 70 1/2 in. 6 mm	p. 281
136271	Duel frameless sliding door 44-47 x 70 1/2 in. 8 mm	p. 277

SHW-48 (cont'd)

With reinforcement



All dimensions are approximate. Structure measurements must be verified against the unit to ensure proper fit.



S-42

42" x 35 1/4" x 72" - Gelcoat

- One-piece gelcoated fiberglass shower
- Built-in wide corner shelves
- Center drain
- Textured floor
- Optional unique feature: Reinforced walls

GELCOAT ALCOVE SHOWERS



SHOWER MODEL

No	Model	Dimensions	Pkg	Approx. weight	Std Color(s)	Non-std Color(s)
141025-000-XXX	1-piece shower 141025-000-XXX Center drain Specify: Standard colors: White (002), Bone (004), Biscuit (007) Non-standard colors: Refer to color chart in this book.	42 X 35 1/4 X 72 in.	64.9 ft ³	100 lb	\$ 695	\$ 795

GENERATION + OPTIONS

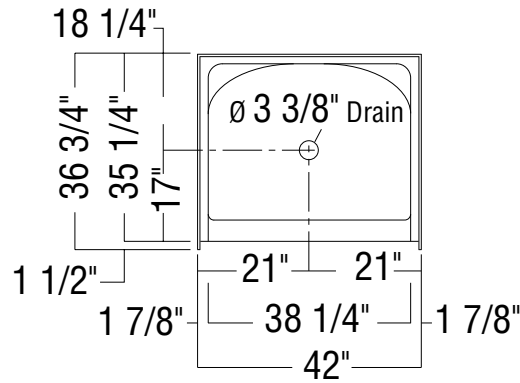
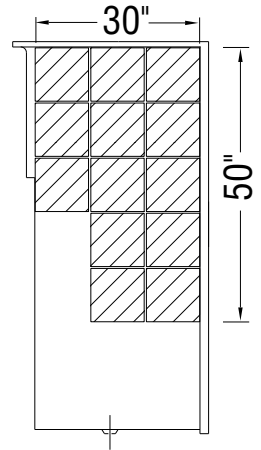
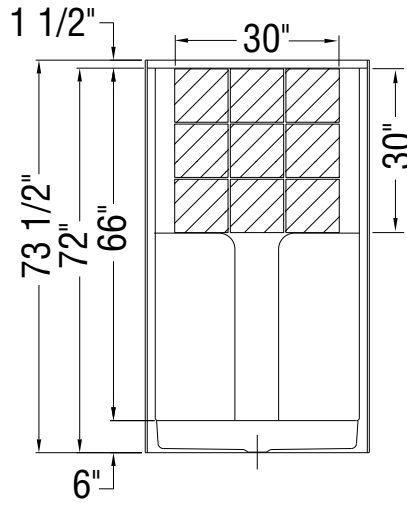
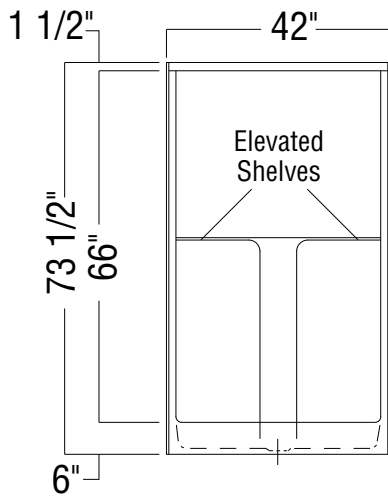
No	Model	Approx. weight	List Price
OPT 10189	Three-wall reinforcement for future grab bar installation ⁹	N/A	Add \$ 146
OPT 20212-X	Wall reinforcement (one wall) for future grab bar installation ⁹ OPT 20212-R Reinforcement on right wall OPT 20212-L Reinforcement on left wall OPT 20212-B Reinforcement on back wall	N/A	Add \$ 68

DOORS RECOMMENDED WITH S-42

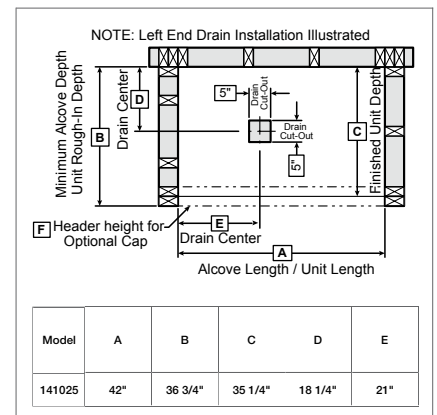
No	Description	Page
138293	Triple Plus 3-panel 40 x 66 in.	p. 286

S-42 (cont'd)

With reinforcement



All dimensions are approximate. Structure measurements must be verified against the unit to ensure proper fit.



S-36

36" x 36" x 72" - Gelcoat

- One-piece gelcoated fiberglass shower with optional roofcap
- Built-in corner shelves
- Center drain
- Textured floor
- Optional unique features: Above-the-Floor Rough
- Reinforced walls

GELCOAT ALCOVE SHOWERS



SHOWER MODEL

No	Model	Dimensions	Pkg	Approx. weight	Std Color(s)	Non-std Color(s)
141022-000-XXX	1-Piece shower 141022-000-XXX Center drain Specify: Standard colors: White (002), Bone (004), Biscuit (007) Non-standard colors: Refer to color chart in this book.	36 X 36 X 72 in. AFR height: 74 3/4 in.	57.04 ft ³	96 lb	\$ 624	\$ 724
	1-Piece shower AFR 141022-AFR-000-XXX Above-the-Floor Rough, center drain Specify: Standard colors: White (002), Bone (004), Biscuit (007) Non-standard colors: Refer to color chart in this book.					
141023-000-XXX	Gelcoated fiberglass roofcap Specify: Standard colors: White (002), Bone (004), Biscuit (007) Non-standard colors: Refer to the color chart in this book.	N/A	11.08 ft ³	29 lb	\$ 286	\$ 336

COMMON OPTIONS

No	Model	Approx. weight	List Price
OPT 10171	Light for roofcap (factory-drilled hole)	N/A	Add \$ 171

GENERATION + OPTIONS

No	Model	Approx. weight	List Price
OPT 10189	Three-wall reinforcement for future grab bar installation ⁹	N/A	Add \$ 146
OPT 20212-X	Wall reinforcement (one wall) for future grab bar installation ⁹ OPT 20212-R Reinforcement on right wall OPT 20212-L Reinforcement on left wall OPT 20212-B Reinforcement on back wall	N/A	Add \$ 68

S-36 (cont'd)

ACCESSORIES

No	Model	Approx. weight	List Price
10041845-XXX-601	Lifter for Pivlok Doors Available colors: Chrome (084) and Brushed Nickel (105)	N/A	\$ 19

DOORS RECOMMENDED WITH S-36

No	Description	Page
136435	Pivlok Deluxe 1-panel 32 1/2-37 x 64 1/2 in.	p. 285
136656	Pivlok 1-panel 33-34 3/4 x 64 1/2 in.	p. 285

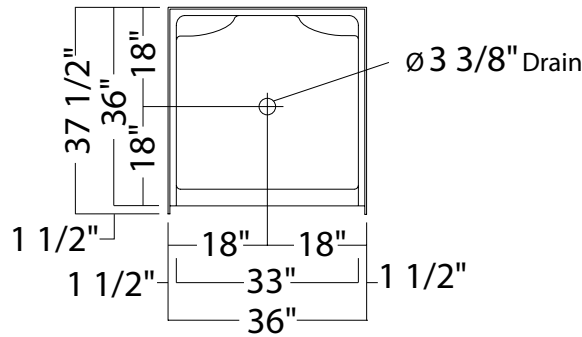
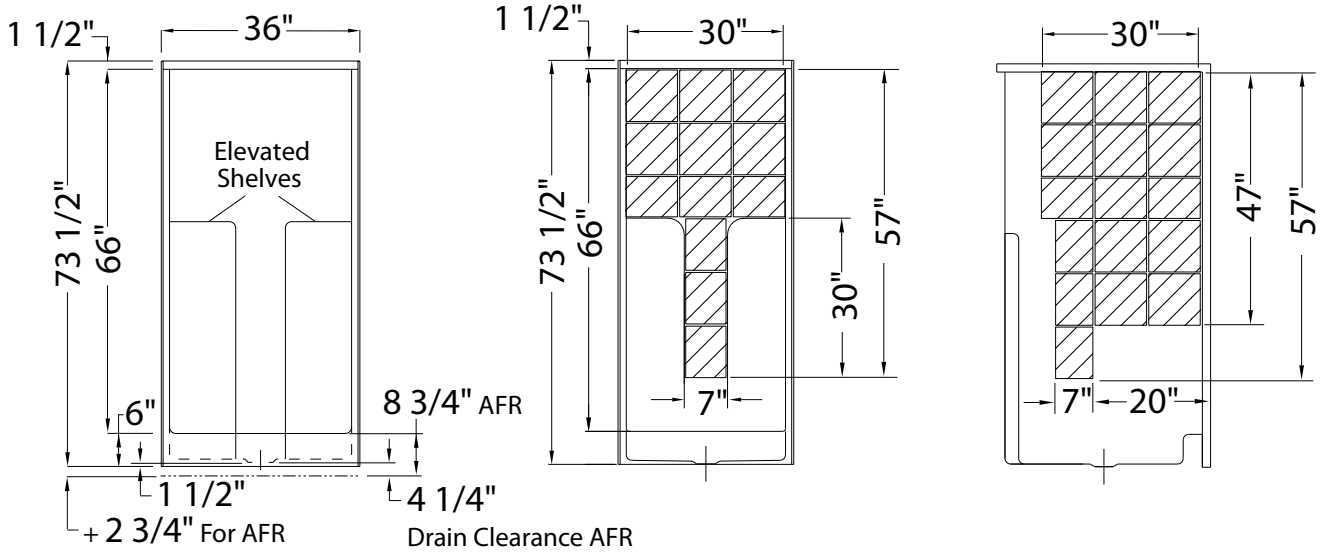
REINFORCED SIDES FOR A STURDIER AND SAFER SHOWER

Sidewalls reinforced with fiberglass and wood ensure sturdier shower door and grab bar installation, meaning a safer overall product.

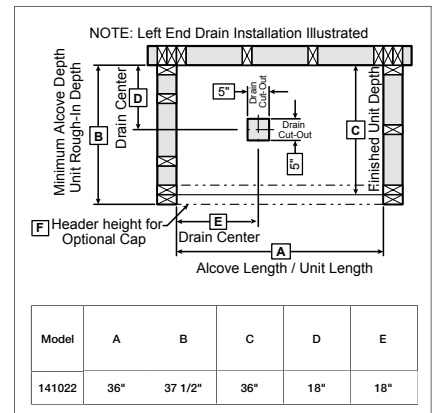


S-36 (cont'd)

With reinforcement



All dimensions are approximate. Structure measurements must be verified against the unit to ensure proper fit.



S-36T

36" x 36" x 72" - Gelcoat

- One-piece gelcoated fiberglass shower
- 4 inch simulated tile pattern
- Built-in wide corner shelves
- Center drain
- Textured floor



SHOWER MODEL

No	Model	Dimensions	Pkg	Approx. weight	Std Color(s)	Non-std Color(s)
141186-000-XXX	1-Piece shower 141186-000-XXX Center drain Specify: Standard colors: White (002), Bone (004), Biscuit (007) Non-standard colors: Refer to color chart in this book.	36 X 36 X 72 in.	57.04 ft ³	96 lb	\$ 689	\$ 789

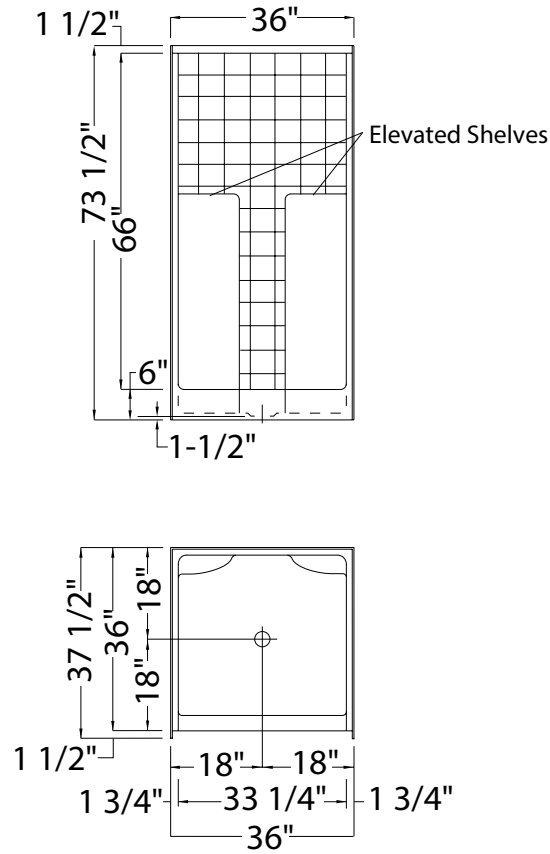
ACCESSORIES

No	Model	Approx. weight	List Price
10041845-XXX-601	Lifter for Pivlok Doors Available colors: Chrome (084) and Brushed Nickel (105)	N/A	\$ 19

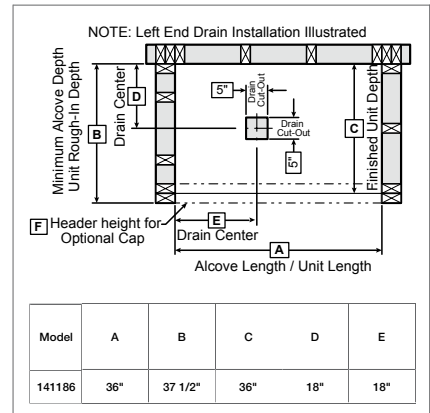
DOORS RECOMMENDED WITH S-36T

No	Description	Page
136435	Pivlok Deluxe 1-panel 32 1/2-37 x 64 1/2 in.	p. 285
136656	Pivlok 1-panel 33-34 3/4 x 64 1/2 in.	p. 285

S-36T (cont'd)



All dimensions are approximate. Structure measurements must be verified against the unit to ensure proper fit.



S-32

32" x 32" x 72" - Gelcoat

- One-piece gelcoated fiberglass shower
- Built-in corner shelves
- Center drain
- Textured floor



SHOWER MODEL

No	Model	Dimensions	Pkg	Approx. weight	Std Color(s)	Non-std Color(s)
141021-000-XXX	1-Piece shower 141021-000-XXX Center drain Specify: Standard colors: White (002), Bone (004), Biscuit (007) Non-standard colors: Refer to color chart in this book.	32 X 32 X 72 in.	44.92 ft ³	77 lb	\$ 624	\$ 724

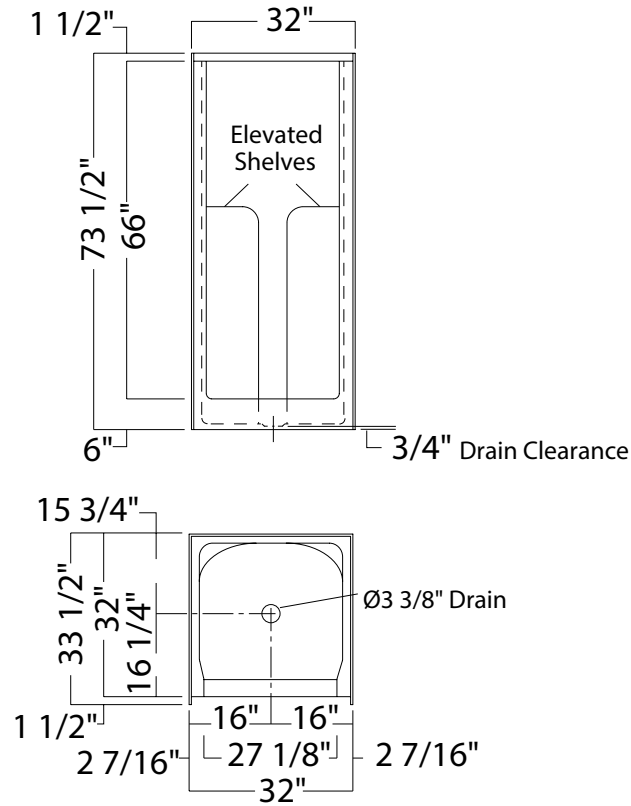
ACCESSORIES

No	Model	Approx. weight	List Price
10041845-XXX-601	Lifter for Pivlok Doors Available colors: Chrome (084) and Brushed Nickel (105)	N/A	\$ 19

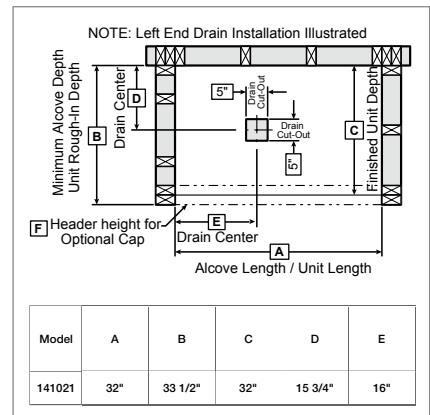
DOORS RECOMMENDED WITH S-32

No	Description	Page
136635	Pivlok 1-panel 27-28 3/4 x 64 1/2 in.	p. 285

S-32 (cont'd)



All dimensions are approximate. Structure measurements must be verified against the unit to ensure proper fit.



SH-NA

37 3/4" x 37 3/4" x 78" - Gelcoat

- One-piece neo-angle corner shower
- Three-level built-in corner shelves
- Back center drain
- Textured floor
- Optional unique feature : Above-the-Floor Rough



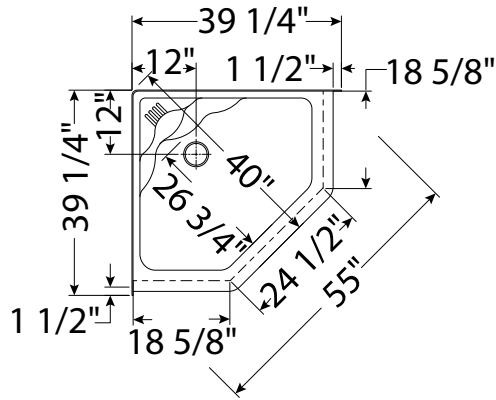
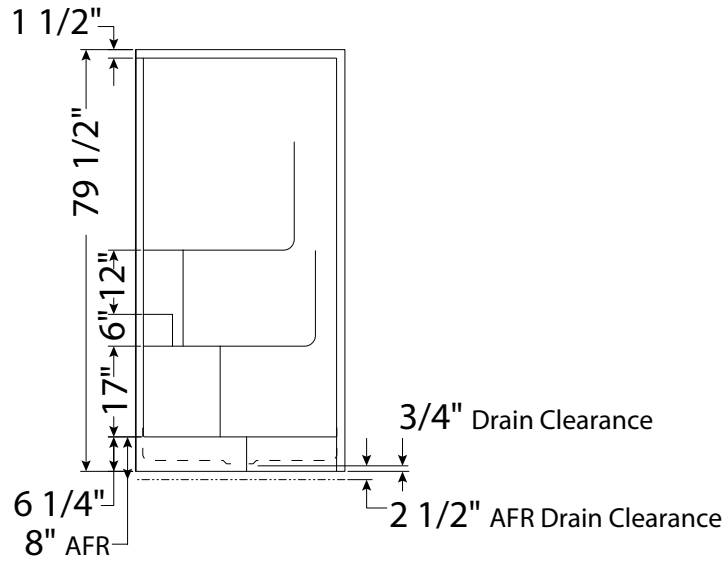
SHOWER MODEL

No	Model	Dimensions	Pkg	Approx. weight	Std Color(s)	Non-std Color(s)
141038-000-XXX	1-Piece shower 141038-000-XXX Center drain Specify: Standard colors: White (002), Bone (004), Biscuit (007) Non-standard colors: Refer to color chart in this book.	37 3/4 X 37 3/4 X 78 in. AFR height: 79 3/4 in.	70.42 ft ³	90 lb	\$ 699	\$ 799
	1-Piece shower AFR 141038-AFR-000-XXX Above-the-Floor Rough, center drain Specify: Standard colors: White (002), Bone (004), Biscuit (007) Non-standard colors: Refer to color chart in this book.					

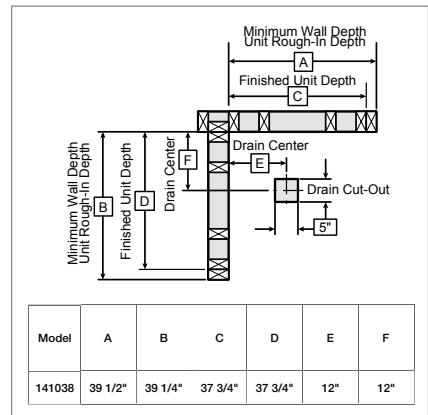
DOORS RECOMMENDED WITH SH-NA

No	Description	Page
137441	Radia neo-angle 38 x 38 x 71 1/2 in. 6 mm	p. 284
137901	Silhouette neo-angle 38 x 38 x 70 in.	p. 287
137710	Silhouette Plus neo-angle 38 x 38 x 70 in.	p. 287

SH-NA (cont'd)




All dimensions are approximate. Structure measurements must be verified against the unit to ensure proper fit.



List of Accessories

GELCOAT ALCOVE SHOWERS

No	Description		Approx. weight	List Price
10041845-XXX-601	Lifter for PivoloK Doors Available colors: Chrome (084) and Brushed Nickel (105)	N/A	N/A	Add \$ 19






Shower Bases

SPS 3460 SHOWER BASE

Reference Guide: Shower Bases

GELCOAT SHOWERS BASES

SP BASES	p. 192	SPS BASES	p. 194	SPL-3950	p. 213
	60 x 36 x 6 60 x 32 x 6 48 x 36 x 6 48 x 34 x 6 48 x 32 x 6 42 x 34 x 6		60 x 34 x 20 60 x 30 x 20 48 x 34 x 20		51 x 39 x 3
ALCOVE		ALCOVE		ALCOVE	

SPL	p. 215
	36 x 36 x 3 32 x 32 x 3
ALCOVE	

AKER'S OUTLOOK *plus* SERIES SIMPLIFIES LIFE FOR EVERYONE.



ACCESSIBILITY CODE COMPLIANT SERIES

Our code compliant models meet **major accessibility building codes**, including ADA and ANSI when fully equipped and installed according to guidelines. These showers and tub showers provide **accessibility and optimal safety** today and tomorrow. For example, each unit has reinforced walls, in accordance with the accessibility requirements of the Fair Housing Act, to offer versatility in grab bar and seat placement when not factory installed. Code-specific option packages for seats and grab bars make choosing the right unit a snap.



GENERATION+ SERIES

Our **GENERATION +** models appeal to a broad base of ages and abilities to allow **graceful adaptation through the years** – from preening parent to active adult. We apply our design innovation to universal **user-friendliness and comfort** for ultimate peace of mind. Stylish accessories and built-in features let you adapt for lifestyles from cradle to cane.



SP-3660

60" x 36" x 6" - Gelcoat

- Rectangular shower base
- Integrated tiling flange
- Textured floor
- Center drain



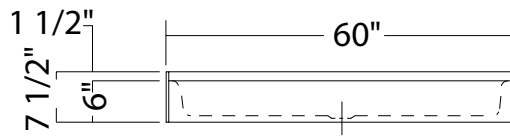
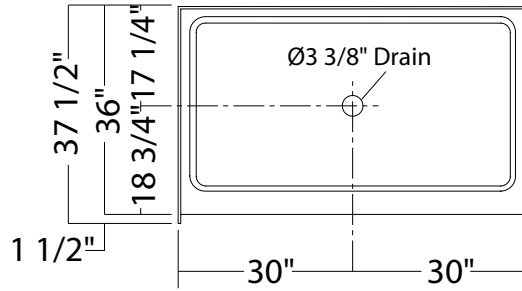
SHOWER MODEL

No	Model	Dimensions	Pkg	Approx. weight	Std Color(s)	Non-std Color(s)
141074-000-XXX	Rectangular shower base 141074-000-XXX Center drain Specify: Standard colors: White (002), Bone (004), Biscuit (007) Non-standard colors: Refer to color chart in this book.	60 X 36 X 6 in.	17.63 ft ³	49 lb	\$ 370	\$ 420

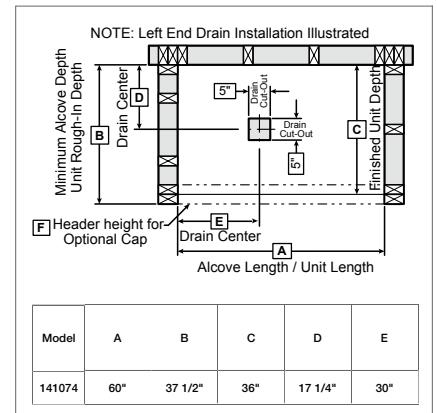
DOORS RECOMMENDED WITH SP-3660

No	Description	Page
138311	Triple Plus 3-panel 59 1/2 x 71 in.	p. 286
136458	Kleara 2-panel 57 1/2-60 1/2 x 69 in. 6 mm	p. 283
105412	Polar 2-panel 54-59 1/2 x 68 in.	p. 286
136672	Reveal 71 pivot door 56-59 x 71 1/2 in. 8 mm	p. 282
138997	Halo sliding door 56 1/2-59 x 78 3/4 in. 8 mm	p. 279
136881	Reveal 75 pivot door 56-59 x 75 in. 8 mm	p. 282
134572	Kameleon semi-frameless sliding door 55-59 x 71 in. 8 mm	p. 280
134675	Kameleon SC semi-frameless sliding door 55-59 x 71 in. 8 mm	p. 280
134565	Kameleon semi-frameless sliding door 55-59 x 71 in. 6 mm	p. 280
134665	Kameleon SC semi-frameless sliding door 55-59 x 71 in. 6 mm	p. 280
138993	Luminescence frameless sliding door 56 1/2-59 x 70 1/2 in. 6 mm	p. 281
136272	Duel frameless sliding door 56-59 x 70 1/2 in. 8 mm	p. 277
137504	Edge Duo Shower 42 x 75 in., 8 mm	p. 278

SP-3660 (cont'd)



All dimensions are approximate. Structure measurements must be verified against the unit to ensure proper fit.



SPS-3460

59 7/8" x 33 1/2" x 20 1/8" - Gelcoat

- Rectangular shower base
- Tile adaptor required for door installation
- Integrated tiling flange
- Right or left integrated seat
- 3 3/8 inch Above-the-Floor Rough available
- Textured floor

SHOWER BASES



SHOWER MODEL

No	Model	Dimensions	Pkg	Approx. weight	Std Color(s)	Non-std Color(s)
142044-000-XXX	Rectangular shower base 142044-R-000-XXX Right seat, left drain 142044-L-000-XXX Left seat, right drain 142044-000-XXX No seat, center drain Specify: Standard colors: White (002), Bone (004), Biscuit (007) Non-standard colors: Refer to color chart in this book.	59 7/8 X 33 1/2 X 20 1/8 in.	28 ft ³	55 lb	\$ 681	\$ 731

AFR SHOWER MODEL

No	Model	Dimensions	Pkg	Approx. weight	Std Color(s)	Non-std Color(s)
142045-000-XXX	Rectangular shower base AFR 142045-R-000-XXX Above-the-Floor Rough, right seat, left drain 142045-L-000-XXX Above-the-Floor Rough, left seat, right drain 142045-000-XXX Above-the-Floor Rough, no seat, center drain Specify: Standard colors: White (002), Bone (004), Biscuit (007) Non-standard colors: Refer to color chart in this book.	59 7/8 X 33 1/2 X 22 1/8 in.	28 ft ³	55 lb	\$ 681	\$ 731

ACCESSORIES

No	Model	Approx. weight	List Price
10024636-XXX	Tile Adaptor (for door installation) Available colors: White (002), Bone (004) and Biscuit (007)	10 lb	\$ 127

SPS-3460 (cont'd)

DOORS RECOMMENDED WITH SPS 3460

No	Description	Page
138311	Triple Plus 3-panel 59 1/2 x 71 in.	p. 286
136457	Kleara 2-panel 54 1/2-57 1/2 x 69 in. 6 mm	p. 283
105412	Polar 2-panel 54-59 1/2 x 68 in.	p. 286
136672	Reveal 71 pivot door 56-59 x 71 1/2 in. 8 mm	p. 282
138997	Halo sliding door 56 1/2-59 x 78 3/4 in. 8 mm	p. 279
136881	Reveal 75 pivot door 56-59 x 75 in. 8 mm	p. 282
134572	Kameleon semi-frameless sliding door 55-59 x 71 in. 8 mm	p. 280
134675	Kameleon SC semi-frameless sliding door 55-59 x 71 in. 8 mm	p. 280
134565	Kameleon semi-frameless sliding door 55-59 x 71 in. 6 mm	p. 280
134665	Kameleon SC semi-frameless sliding door 55-59 x 71 in. 6 mm	p. 280
138993	Luminescence frameless sliding door 56 1/2-59 x 70 1/2 in. 6 mm	p. 281
136272	Duel frameless sliding door 56-59 x 70 1/2 in. 8 mm	p. 277

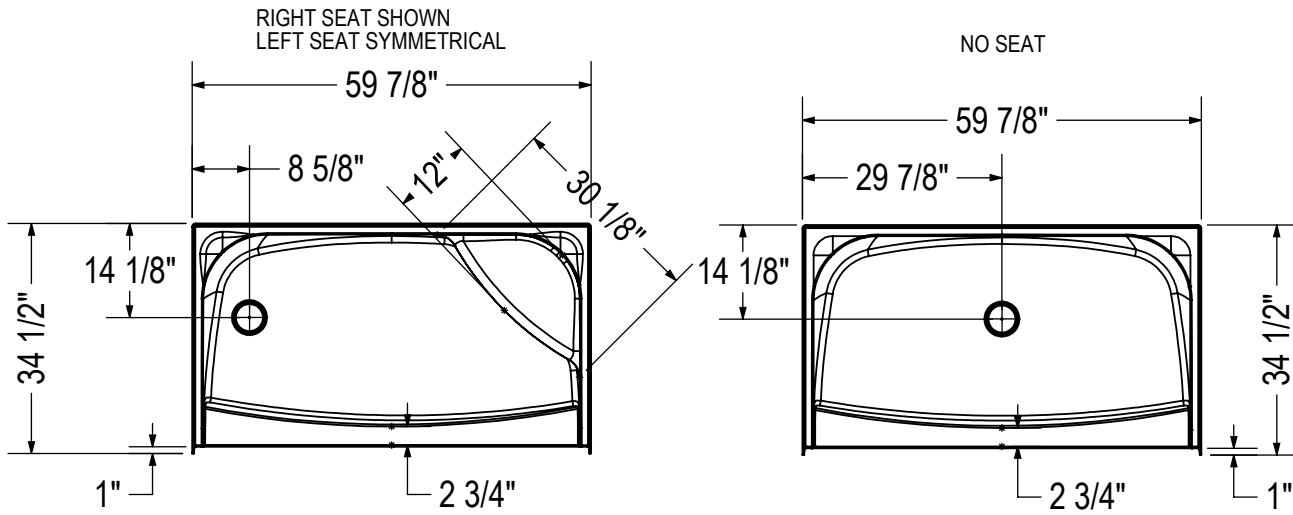
MAAX® SHOWER DOORS

MAAX offers a [wide selection of custom-fit shower door styles](#) that work seamlessly with many AKER bathtubs, tub showers, showers and shower bases. Consult the Recommended MAAX Shower Doors list at the end of each product section for more information.

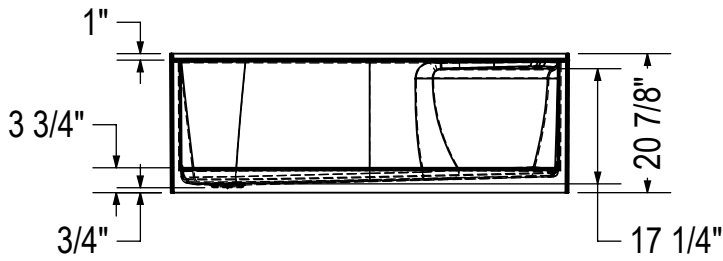
www.maax.com



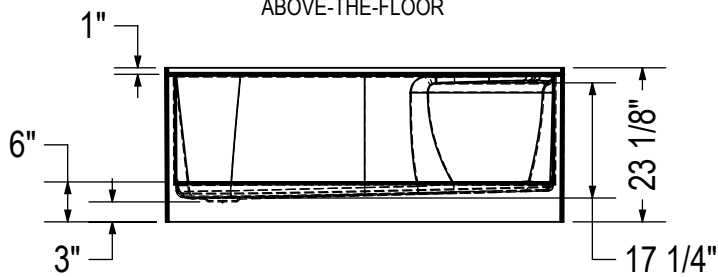
SPS-3460 (cont'd)



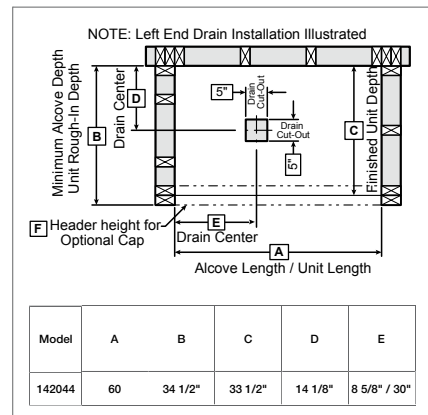
NOT ABOVE-THE-FLOOR



ABOVE-THE-FLOOR



All dimensions are approximate. Structure measurements must be verified against the unit to ensure proper fit.



SP-3260

60" x 32" x 6" - Gelcoat

- Rectangular shower base
- Integrated tiling flange
- Textured floor
- Center drain



SHOWER BASES

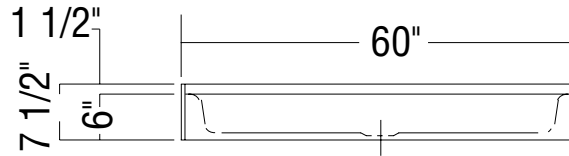
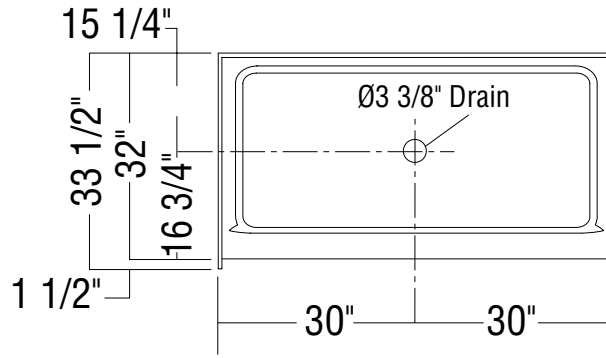
SHOWER MODEL

No	Model	Dimensions	Pkg	Approx. weight	Std Color(s)	Non-std Color(s)
141073-000-XXX	Rectangular shower base 141073-000-XXX Center drain Specify: Standard colors: White (002), Bone (004), Biscuit (007) Non-standard colors: Refer to color chart in this book.	60 X 32 X 6 in.	8 ft ³	49 lb	\$ 354	\$ 404

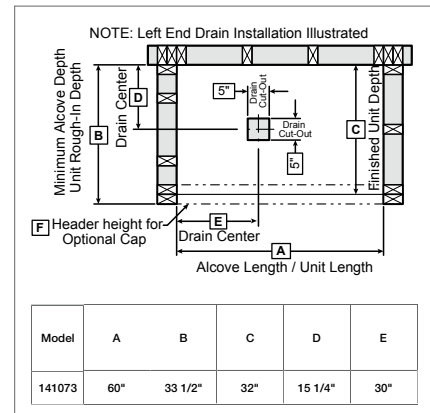
DOORS RECOMMENDED WITH SP-3260

No	Description	Page
138311	Triple Plus 3-panel 59 1/2 x 71 in.	p. 286
136458	Kleara 2-panel 57 1/2-60 1/2 x 69 in. 6 mm	p. 283
105412	Polar 2-panel 54-59 1/2 x 68 in.	p. 286
136672	Reveal 71 pivot door 56-59 x 71 1/2 in. 8 mm	p. 282
138997	Halo sliding door 56 1/2-59 x 78 3/4 in. 8 mm	p. 279
136881	Reveal 75 pivot door 56-59 x 75 in. 8 mm	p. 282
134572	Kameleon semi-frameless sliding door 55-59 x 71 in. 8 mm	p. 280
134675	Kameleon SC semi-frameless sliding door 55-59 x 71 in. 8 mm	p. 280
134565	Kameleon semi-frameless sliding door 55-59 x 71 in. 6 mm	p. 280
134665	Kameleon SC semi-frameless sliding door 55-59 x 71 in. 6 mm	p. 280
138993	Luminescence frameless sliding door 56 1/2-59 x 70 1/2 in. 6 mm	p. 281
136272	Duel frameless sliding door 56-59 x 70 1/2 in. 8 mm	p. 277
137504	Edge Duo Shower 42 x 75 in., 8 mm	p. 278

SP-3260 (cont'd)



All dimensions are approximate. Structure measurements must be verified against the unit to ensure proper fit.



SPS-3060

59 7/8" x 30" x 20 1/8" - Gelcoat

- Rectangular shower base
- Tile adapter required for door installation
- Integrated tiling flange
- Right or left integrated seat
- 3 3/8 inch Above-the-Floor Rough available
- Textured floor



SHOWER BASES

SHOWER MODEL

No	Model	Dimensions	Pkg	Approx. weight	Std Color(s)	Non-std Color(s)
142038-000-XXX	Rectangular shower base 142038-R-000-XXX Right seat, left drain 142038-L-000-XXX Left seat, right drain 142038-000-XXX No seat, center drain Specify: Standard colors: White (002), Bone (004), Biscuit (007) Non-standard colors: Refer to color chart in this book.	59 7/8 X 30 X 20 1/8 in.	28 ft ³	52 lb	\$ 608	\$ 658

AFR SHOWER MODEL

No	Model	Dimensions	Pkg	Approx. weight	Std Color(s)	Non-std Color(s)
142039-000-XXX	Rectangular shower base AFR 142039-R-000-XXX Above-the-Floor Rough, right seat, left drain 142039-L-000-XXX Above-the-Floor Rough, left seat, right drain 142039-000-XXX Above-the-Floor Rough, no seat, center drain Specify: Standard colors: White (002), Bone (004), Biscuit (007) Non-standard colors: Refer to color chart in this book.	59 7/8 X 30 X 22 1/8 in.	28 ft ³	52 lb	\$ 608	\$ 658

ACCESSORIES

No	Model	Approx. weight	List Price
10024636-XXX	Tile Adaptor (for door installation) Available colors: White (002), Bone (004) and Biscuit (007)	10 lb	\$ 127

SPS-3060 (cont'd)

DOORS RECOMMENDED WITH SPS 3060

No	Description	Page
138311	Triple Plus 3-panel 59 1/2 x 71 in.	p. 286
136457	Kleara 2-panel 54 1/2-57 1/2 x 69 in. 6 mm	p. 283
136672	Reveal 71 pivot door 56-59 x 71 1/2 in. 8 mm	p. 282
138997	Halo sliding door 56 1/2-59 x 78 3/4 in. 8 mm	p. 279
136881	Reveal 75 pivot door 56-59 x 75 in. 8 mm	p. 282
134572	Kameleon semi-frameless sliding door 55-59 x 71 in. 8 mm	p. 280
134675	Kameleon SC semi-frameless sliding door 55-59 x 71 in. 8 mm	p. 280
134565	Kameleon semi-frameless sliding door 55-59 x 71 in. 6 mm	p. 280
134665	Kameleon SC semi-frameless sliding door 55-59 x 71 in. 6 mm	p. 280
136272	Duel frameless sliding door 56-59 x 70 1/2 in. 8 mm	p. 277
138993	Luminescence frameless sliding door 56 1/2-59 x 70 1/2 in. 6 mm	p. 281

KDS & KDTS: Knock-Down Showers and Tub Showers

Easy steps to install

STEP-1

Level and install the shower base or the bathtub in the alcove.



STEP-2

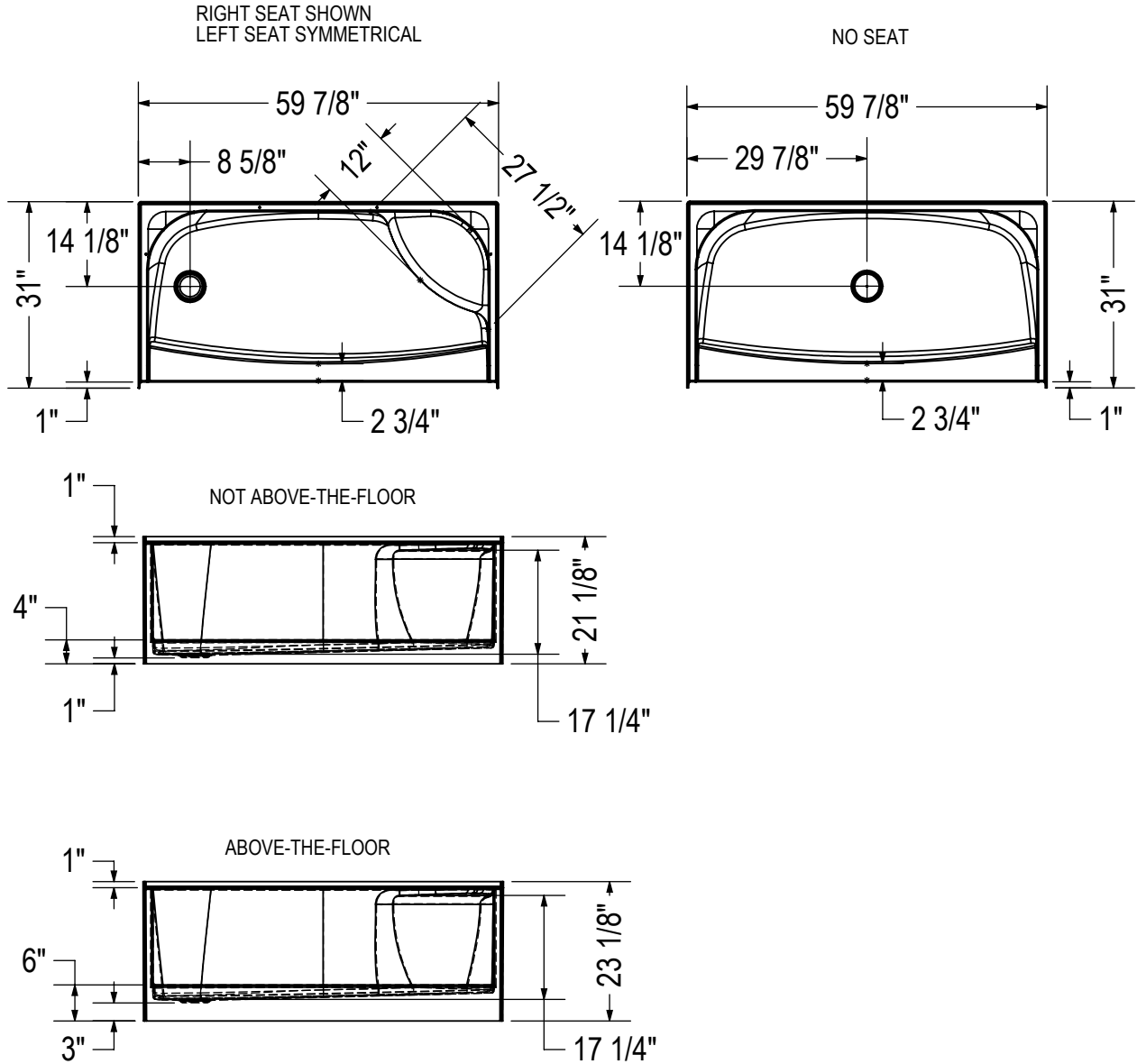
Apply silicone and install the walls using the PIN system to guide them in place. Install the back wall and slide the side walls in.



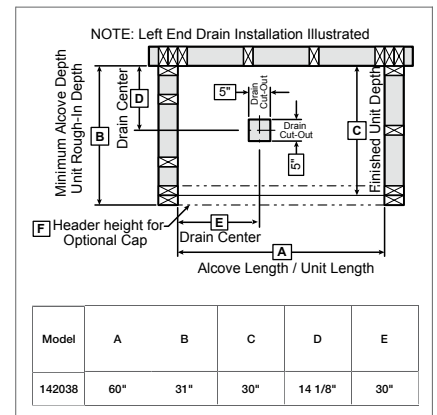
STEP-3

Secure the wall parts to the studs (shim if necessary).

SPS-3060 (cont'd)



All dimensions are approximate. Structure measurements must be verified against the unit to ensure proper fit.



SP-3648

48" x 36" x 6" - Gelcoat

- Rectangular shower base
- Integrated tiling flange
- Textured floor
- Center drain



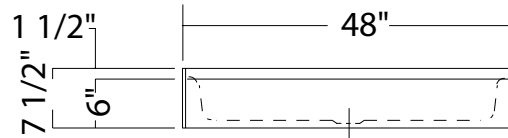
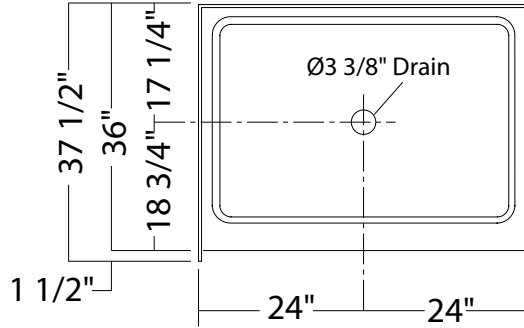
SHOWER MODEL

No	Model	Dimensions	Pkg	Approx. weight	Std Color(s)	Non-std Color(s)
141072-000-XXX	Rectangular shower base 141072-000-XXX Center drain Specify: Standard colors: White (002), Bone (004), Biscuit (007) Non-standard colors: Refer to color chart in this book.	48 X 36 X 6 in.	14.1 ft ³	46 lb	\$ 317	\$ 367

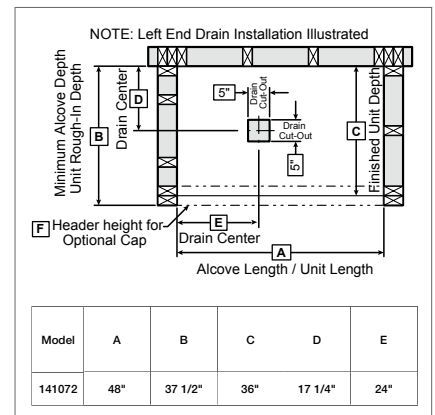
DOORS RECOMMENDED WITH SP-3648

No	Description	Page
136454	Kleara 2-panel 45 1/2-48 1/2 x 69 in. 6 mm	p. 283
105413	Polar 2-panel 42-47 1/2 x 68 in.	p. 286
136671	Reveal 71 pivot door 44-47 x 71 1/2 in. 8 mm	p. 282
138996	Halo sliding door 44 1/2-47 x 78 3/4 in. 8 mm	p. 279
136880	Reveal 75 pivot door 44-47 x 75 in. 8 mm	p. 282
134571	Kameleon semi-frameless sliding door 43-47 x 71 in. 8 mm	p. 280
134674	Kameleon SC semi-frameless sliding door 43-47 x 71 in. 8 mm	p. 280
134563	Kameleon semi-frameless sliding door 43-47 x 71 in. 6 mm	p. 280
134663	Kameleon SC semi-frameless sliding door 43-47 x 71 in. 6 mm	p. 280
136271	Duel frameless sliding door 44-47 x 70 1/2 in. 8 mm	p. 277
138992	Luminescence frameless sliding door 44 1/2-47 x 70 1/2 in. 6 mm	p. 281
137504	Edge Duo Shower 42 x 75 in., 8 mm	p. 278

SP-3648 (cont'd)



All dimensions are approximate. Structure measurements must be verified against the unit to ensure proper fit.



SPS-3448

47 7/8" x 33 5/8" x 20 1/8" - Gelcoat

- Rectangular shower base
- Tile adaptor required for door installation
- Integrated tiling flange
- Right or left integrated seat
- 3 3/8 inch Above-the-Floor Rough available
- Textured floor



SHOWER MODEL

No	Model	Dimensions	Pkg	Approx. weight	Std Color(s)	Non-std Color(s)
142032-000-XXX	Rectangular shower base 142032-R-000-XXX Right seat, center drain 142032-L-000-XXX Left seat, center drain 142032-000-XXX No seat, center drain Specify: Standard colors: White (002), Bone (004), Biscuit (007) Non-standard colors: Refer to color chart in this book.	47 7/8 X 33 5/8 X 20 1/8 in.	24.06 ft ³	45 lb	\$ 524	\$ 574

AFR SHOWER MODEL

No	Model	Dimensions	Pkg	Approx. weight	Std Color(s)	Non-std Color(s)
142033-000-XXX	Rectangular shower base AFR 142033-R-000-XXX Above-the-Floor Rough, right seat, center drain 142033-L-000-XXX Above-the-Floor Rough, left seat, center drain 142033-000-XXX Above-the-Floor Rough, no seat, center drain Specify: Standard colors: White (002), Bone (004), Biscuit (007) Non-standard colors: Refer to color chart in this book.	47 7/8 X 33 5/8 X 22 1/8 in.	24.6 ft ³	45 lb	\$ 524	\$ 574

ACCESSORIES

No	Model	Approx. weight	List Price
10024636-XXX	Tile Adaptor (for door installation) Available colors: White (002), Bone (004) and Biscuit (007)	10 lb	\$ 127

SPS-3448 (cont'd)

DOORS RECOMMENDED WITH SPS 3448

No	Description	Page
136454	Kleara 2-panel 45 1/2-48 1/2 x 69 in. 6 mm	p. 283
105413	Polar 2-panel 42-47 1/2 x 68 in.	p. 286
136671	Reveal 71 pivot door 44-47 x 71 1/2 in. 8 mm	p. 282
138996	Halo sliding door 44 1/2-47 x 78 3/4 in. 8 mm	p. 279
136880	Reveal 75 pivot door 44-47 x 75 in. 8 mm	p. 282
134571	Kameleon semi-frameless sliding door 43-47 x 71 in. 8 mm	p. 280
134674	Kameleon SC semi-frameless sliding door 43-47 x 71 in. 8 mm	p. 280
134563	Kameleon semi-frameless sliding door 43-47 x 71 in. 6 mm	p. 280
134663	Kameleon SC semi-frameless sliding door 43-47 x 71 in. 6 mm	p. 280
138992	Luminescence frameless sliding door 44 1/2-47 x 70 1/2 in. 6 mm	p. 281
136271	Duel frameless sliding door 44-47 x 70 1/2 in. 8 mm	p. 277
136453	Kleara 2-panel 42 1/2-45 1/2 x 69 in. 6 mm	p. 283



Kameleon Doors

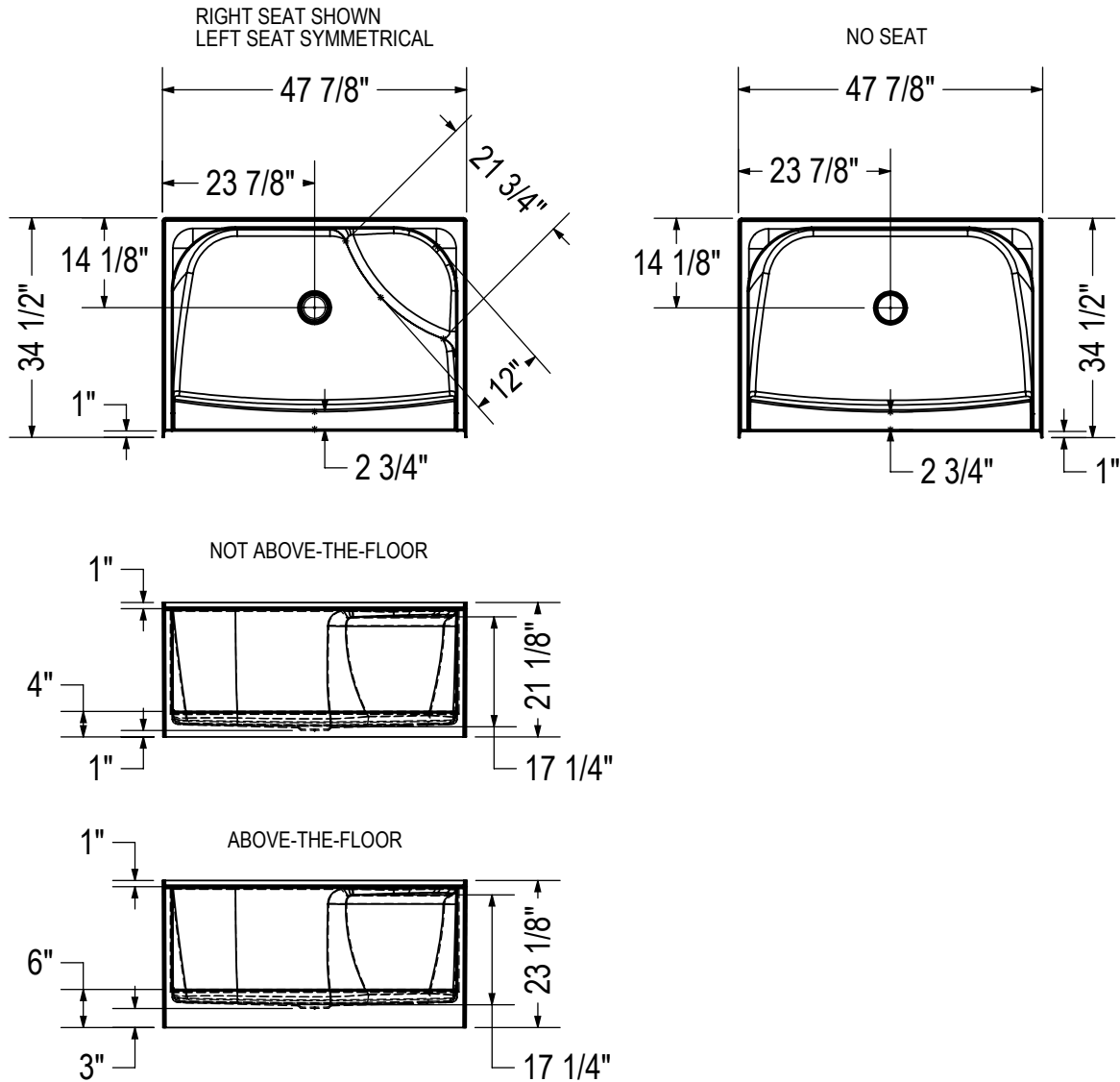
Make your perfect match in **5** easy steps

- 1** Choose the **style** (tub or shower door) and **determine** door opening
- 2** Select glass thickness
- 3** Decide glass pattern
- 4** Determine the **frame** & towel bar finish
- 5** Choose the towel bar

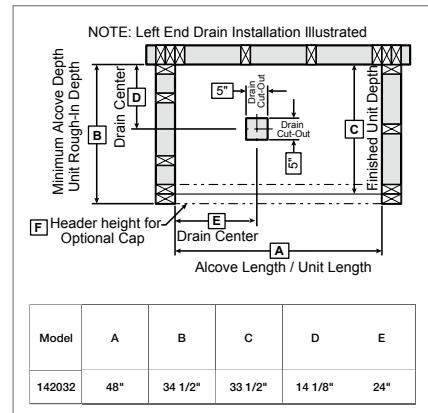
See video of installation



SPS-3448 (cont'd)



All dimensions are approximate. Structure measurements must be verified against the unit to ensure proper fit.



SP-3448

48" x 34" x 6" - Gelcoat

- Rectangular shower base
- Integrated tiling flange
- Textured floor
- Center drain



SHOWER BASES

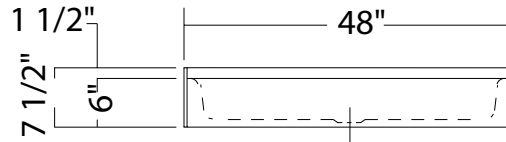
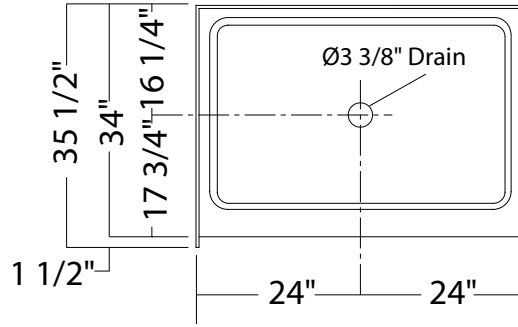
SHOWER MODEL

No	Model	Dimensions	Pkg	Approx. weight	Std Color(s)	Non-std Color(s)
141071-000-XXX	Rectangular shower base 141071-000-XXX Center drain Specify: Standard colors: White (002), Bone (004), Biscuit (007) Non-standard colors: Refer to color chart in this book.	48 X 34 X 6 in.	14.1 ft ³	42 lb	\$ 309	\$ 359

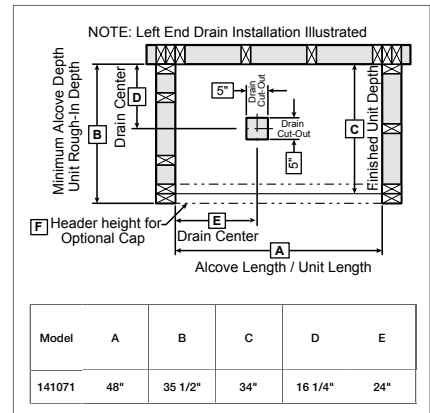
DOORS RECOMMENDED WITH SP-3448

No	Description	Page
136454	Kleara 2-panel 45 1/2-48 1/2 x 69 in. 6 mm	p. 283
105413	Polar 2-panel 42-47 1/2 x 68 in.	p. 286
136671	Reveal 71 pivot door 44-47 x 71 1/2 in. 8 mm	p. 282
136880	Reveal 75 pivot door 44-47 x 75 in. 8 mm	p. 282
134571	Kameleon semi-frameless sliding door 43-47 x 71 in. 8 mm	p. 280
134674	Kameleon SC semi-frameless sliding door 43-47 x 71 in. 8 mm	p. 280
134663	Kameleon SC semi-frameless sliding door 43-47 x 71 in. 6 mm	p. 280
134563	Kameleon semi-frameless sliding door 43-47 x 71 in. 6 mm	p. 280
136271	Duel frameless sliding door 44-47 x 70 1/2 in. 8 mm	p. 277
138992	Luminescence frameless sliding door 44 1/2-47 x 70 1/2 in. 6 mm	p. 281
137504	Edge Duo Shower 42 x 75 in., 8 mm	p. 278

SP-3448 (cont'd)



All dimensions are approximate. Structure measurements must be verified against the unit to ensure proper fit.



SP-3248

48" x 32" x 6" - Gelcoat

- Rectangular shower base
- Integrated tiling flange
- Textured floor
- Center drain



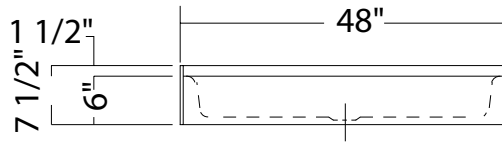
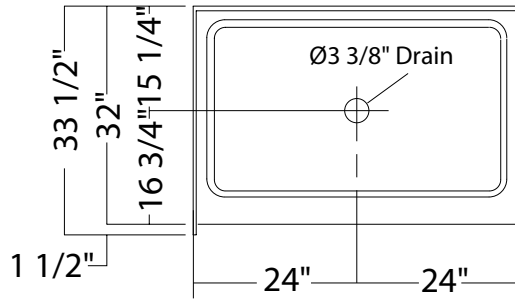
SHOWER MODEL

No	Model	Dimensions	Pkg	Approx. weight	Std Color(s)	Non-std Color(s)
141070-000-XXX	Rectangular shower base 141070-000-XXX Center drain Specify: Standard colors: White (002), Bone (004), Biscuit (007) Non-standard colors: Refer to color chart in this book.	48 X 32 X 6 in.	14.1 ft ³	40 lb	\$ 301	\$ 351

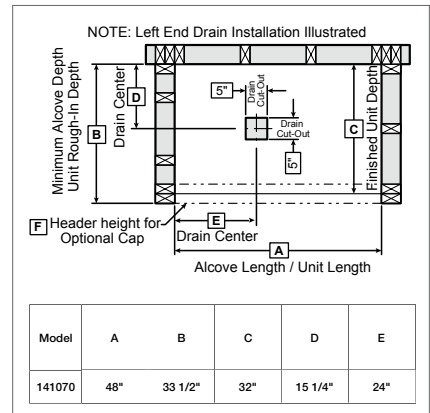
DOORS RECOMMENDED WITH SP-3248

No	Description	Page
136454	Kleara 2-panel 45 1/2-48 1/2 x 69 in. 6 mm	p. 283
105413	Polar 2-panel 42-47 1/2 x 68 in.	p. 286
136671	Reveal 71 pivot door 44-47 x 71 1/2 in. 8 mm	p. 282
138996	Halo sliding door 44 1/2-47 x 78 3/4 in. 8 mm	p. 279
136880	Reveal 75 pivot door 44-47 x 75 in. 8 mm	p. 282
134571	Kameleon semi-frameless sliding door 43-47 x 71 in. 8 mm	p. 280
134674	Kameleon SC semi-frameless sliding door 43-47 x 71 in. 8 mm	p. 280
134563	Kameleon semi-frameless sliding door 43-47 x 71 in. 6 mm	p. 280
134663	Kameleon SC semi-frameless sliding door 43-47 x 71 in. 6 mm	p. 280
136271	Duel frameless sliding door 44-47 x 70 1/2 in. 8 mm	p. 277
138992	Luminescence frameless sliding door 44 1/2-47 x 70 1/2 in. 6 mm	p. 281
137504	Edge Duo Shower 42 x 75 in., 8 mm	p. 278

SP-3248 (cont'd)



All dimensions are approximate. Structure measurements must be verified against the unit to ensure proper fit.



SP-3442

42" x 34" x 6" - Gelcoat

- Rectangular shower base
- Integrated tiling flange
- Textured floor
- Center drain



SHOWER BASES

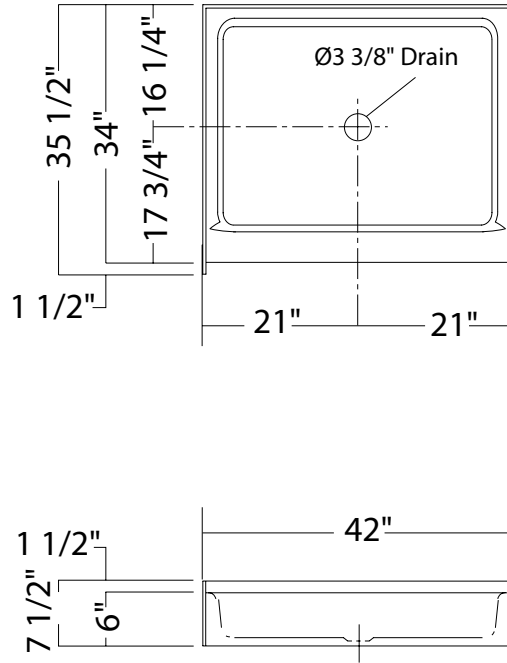
SHOWER MODEL

No	Model	Dimensions	Pkg	Approx. weight	Std Color(s)	Non-std Color(s)
141069-000-XXX	Rectangular shower base 141069-000-XXX Center drain Specify: Standard colors: White (002), Bone (004), Biscuit (007) Non-standard colors: Refer to color chart in this book.	42 X 34 X 6 in.	5.9 ft ³	42 lb	\$ 283	\$ 333

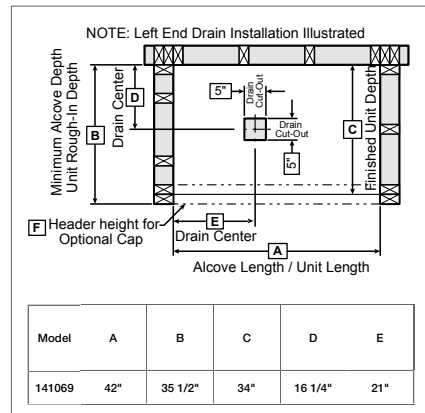
DOORS RECOMMENDED WITH SP-3442

No	Description	Page
134562	Kameleon semi-frameless sliding door 40-44 x 71 in. 6 mm	p. 280
134662	Kameleon SC semi-frameless sliding door 40-44 x 71 in. 6 mm	p. 280
138293	Triple Plus 3-panel 40 x 66 in.	p. 286
136679	Reveal 71 pivot door 38-41 x 71 1/2 in. 8 mm	p. 282

SP-3442 (cont'd)



All dimensions are approximate. Structure measurements must be verified against the unit to ensure proper fit.



SPL-3950

50 1/2" x 39 1/2" x 3" - Gelcoat

- Rectangular gelcoat shower base
- 3 inch low threshold base
- Integrated tiling flange
- Center drain
- Smooth floor finish
- Superior base strength with balsa wood reinforcement



SHOWER BASES

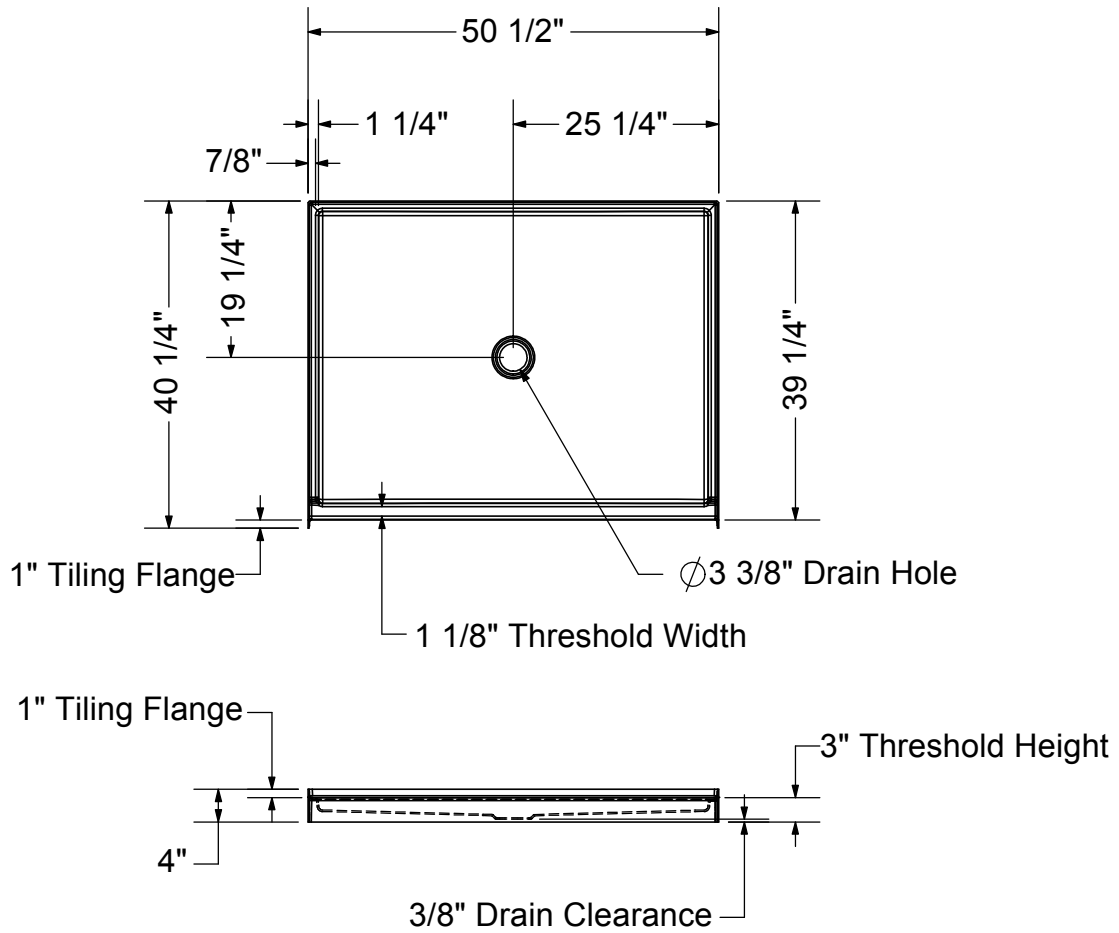
SHOWER MODEL

No	Model	Dimensions	Pkg	Approx. weight	Std Color(s)	Non-std Color(s)
141365-000-XXX	Rectangular shower base 141365-000-XXX Center drain Specify: Standard colors: White (002), Bone (004), Biscuit (007) Non-standard colors: Refer to color chart in this book.	50 1/2 X 39 1/4 X 3 in.	7.6 ft ³	46 lb	\$ 561	\$ 611

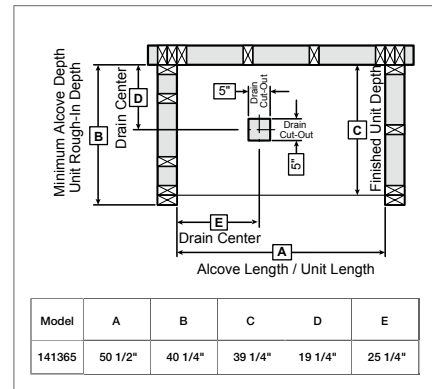
DOORS RECOMMENDED WITH SPL-3950

No	Description	Page
136455	Kleara 2-panel 48 1/2-51 1/2 x 69 in. 6 mm	p. 283
138313	Triple Plus 3-panel 52 1/2 x 66 in.	p. 286
136454	Kleara 2-panel 45 1/2-48 1/2 x 69 in. 6 mm	p. 283

SPL-3950 (cont'd)



All dimensions are approximate. Structure measurements must be verified against the unit to ensure proper fit.



SPL-3636

35 7/8" x 36" x 3 3/8" - Gelcoat

- 3 3/8 inch low threshold base
- 4 1/4 inch Above-the-Floor Rough available
- Integrated tiling flange
- Textured floor
- Center drain



SHOWER MODEL

No	Model	Dimensions	Pkg	Approx. weight	Std Color(s)	Non-std Color(s)
142026-000-XXX	Square shower base 142026-000-XXX , Center drain Specify: Standard colors: White (002), Bone (004), Biscuit (007) Non-standard colors: Refer to color chart in this book.	35 7/8 X 36 X 3 3/8 in.	7.4 ft ³	35 lb	\$ 300	\$ 350

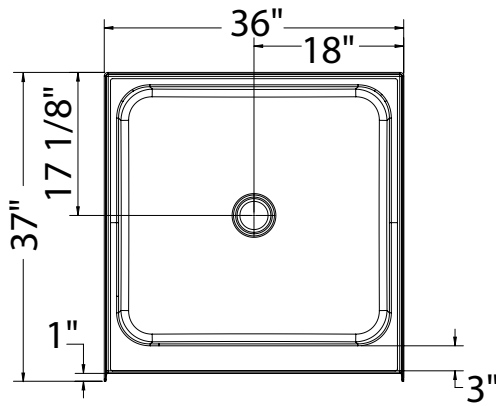
AFR SHOWER MODEL

No	Model	Dimensions	Pkg	Approx. weight	Std Color(s)	Non-std Color(s)
142027-000-XXX	Square shower base AFR 142027-000-XXX , Above-the-Floor Rough, center drain Specify: Standard colors: White (002), Bone (004), Biscuit (007) Non-standard colors: Refer to color chart in this book.	35 7/8 X 36 X 6 7/8 in.	7.4 ft ³	35 lb	\$ 300	\$ 350

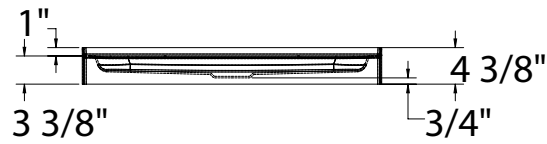
DOORS RECOMMENDED WITH SPL 3636

No	Description	Page
136450	Kleara 2-panel 33 1/2-36 1/2 x 69 in. 6 mm	p. 283
136435	Pivolok Deluxe 1-panel 32 1/2-37 x 64 1/2 in.	p. 285
136656	Pivolok 1-panel 33-34 3/4 x 64 1/2 in.	p. 285
105418	Madono 1-panel 34 1/2-36 1/2 x 67 in. 6 mm	p. 283
136676	Reveal 71 pivot door 32 1/2-35 1/2 x 71 1/2 in. 8 mm	p. 282
136678	Reveal 75 pivot door 32 1/2-35 1/2 x 75 in. 8 mm	p. 282

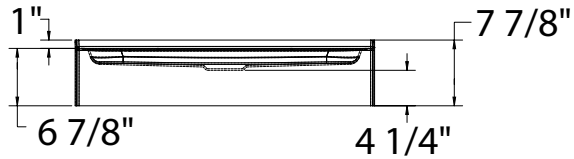
SPL-3636 (cont'd)



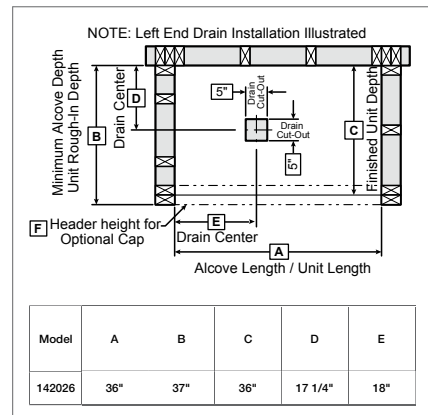
NOT ABOVE-THE-FLOOR



ABOVE-THE-FLOOR



All dimensions are approximate. Structure measurements must be verified against the unit to ensure proper fit.



SPL-3232

31 7/8" x 32" x 3 3/8" - Gelcoat

- 3 3/8 inch low threshold base
- 4 1/3 inch Above-the-Floor Rough available
- Integrated tiling flange
- Textured floor
- Center drain



SHOWER MODEL

No	Model	Dimensions	Pkg	Approx. weight	Std Color(s)	Non-std Color(s)
142020-000-XXX	Square shower base 142020-000-XXX Center drain Specify: Standard colors: White (002), Bone (004), Biscuit (007) Non-standard colors: Refer to color chart in this book.	31 7/8 X 32 X 3 3/8 in.	6.9 ft ³	32 lb	\$ 261	\$ 311

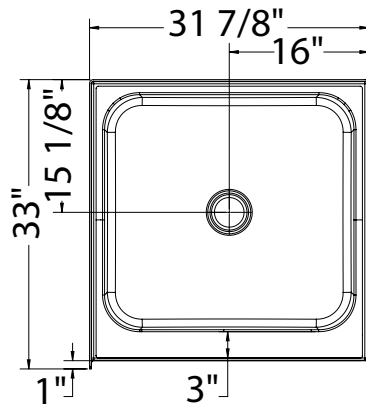
AFR SHOWER MODEL

No	Model	Dimensions	Pkg	Approx. weight	Std Color(s)	Non-std Color(s)
142021-000-XXX	Square shower base AFR 142021-000-XXX Above-the-Floor Rough, center drain Specify: Standard colors: White (002), Bone (004), Biscuit (007) Non-standard colors: Refer to color chart in this book.	31 7/8 X 32 X 6 7/8 in.	6.9 ft ³	32 lb	\$ 261	\$ 311

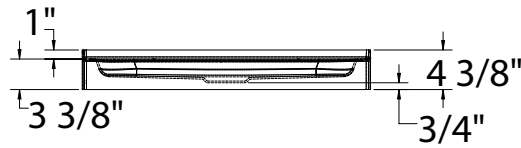
DOORS RECOMMENDED WITH SPL 3232

No	Description	Page
136448	Kleara 1-panel 29 1/2-31 1/2 x 69 in. 6 mm	p. 283
136425	Pivolok Deluxe 1-panel 28-32 1/2 x 64 1/2 in.	p. 285
136645	Pivolok 1-panel 29-30 3/4 x 64 1/2 in.	p. 285
105416	Madono 1-panel 28 1/2-30 1/2 x 67 in. 6 mm	p. 283

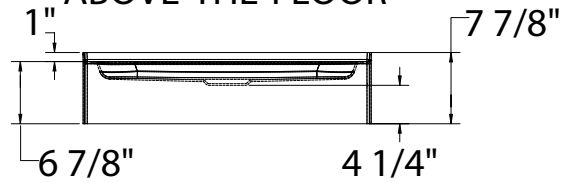
SPL-3232 (cont'd)



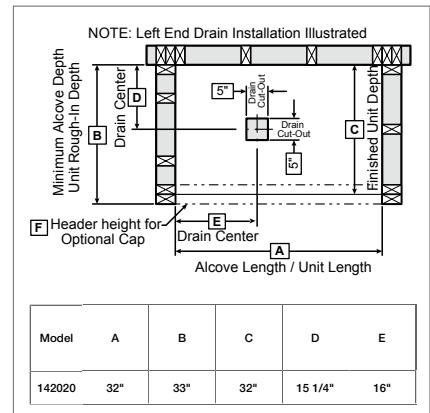
NOT ABOVE-THE-FLOOR



ABOVE-THE-FLOOR



All dimensions are approximate. Structure measurements must be verified against the unit to ensure proper fit.



Accessibility Code Compliant Series



OPS-3636 - COMPLETE ANSI PACKAGE SHOWER



Choosing the right Outlook *plus* code compliant model, regardless of project type, is almost as easy as using one because AKER wants you to [save time, money and hassle](#).

Our base models come in industry-standard dimensions and popular styles. All feature [reinforced walls in accordance with the accessibility requirements of the Fair Housing Act](#), making future modifications simple and sound. When you choose a fully compliant package, rest assured it meets the current major building code of your choosing and features the best options available. Finally, we [simplified selections](#) with unique, instinctive ordering codes to minimize confusion.

Code compliance: ANSI-ICC A117.1, ADA Standards for Accessible Design, 521 CMR (Massachusetts), FHA, CSA B45.5-11 / IAPMO Z124-2011, HUD UM 73a, ASTM F-462.

ORDERING IS THEN AS EASY AS 1-2-3

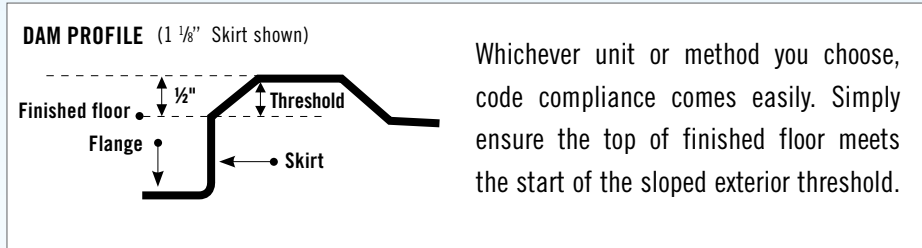
- 1 Select the model according to:
Size / Style / Skirt height
- 2 Select a configuration package:
 - Base model
 - Partial packages (grab bar only or with seat)
 - Fully compliant units
- 3 If desired, select additional options and accessories.

AKER's Outlook *plus* Series is easy for everyone – our business partners and our users – because it's [Built to Perform](#).

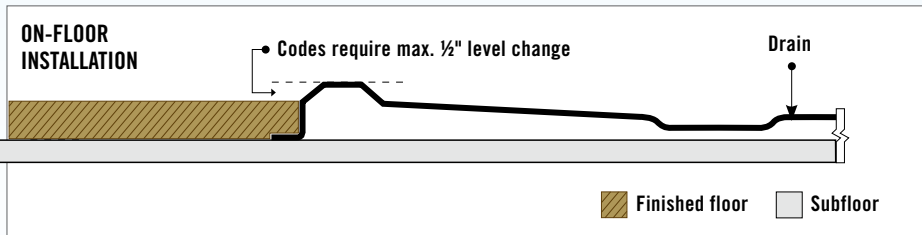


INSTALLS EASILY ANY WAY YOU CHOOSE

Outlook *plus* compliant series installs easily, cleanly and securely in any situation. Choose our standard 1 1/8 inch skirt with a built-in flange or our 3/4-inch reduced skirt for recessed in-floor or on-floor installation.

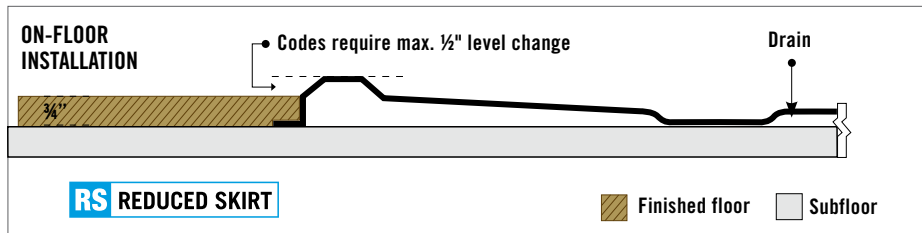
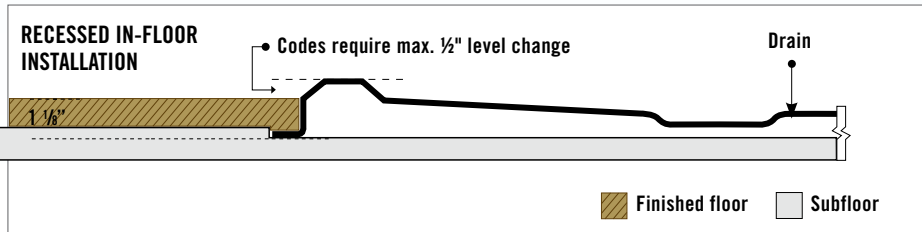


Once properly installed, the 1/2-inch interior and exterior beveled threshold edges of our Outlook *plus* units allow walk-in or roll-in shower access without worry. It also prevents water seepage.



OUR 1 1/8 INCH SKIRT

Simplify your work with this unit added height for recessed in-floor or on-floor installation. A front flange provides a strong and sturdy installation that prevents cracking or bowing of the dam.



OUR 3/4 INCH REDUCED SKIRT

Perfect for common 3/4-inch finished floor applications. A front flange provides a strong and sturdy installation that prevents cracking or bowing of the dam.



ACCESS RAMP

A code-compliant access ramp, when installed according to its manufacturer's guidelines, can also be used with either product or installation methods.

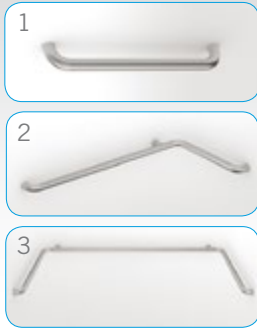


Customize any AKER Outlook *plus* unit to best suit your desire for comfort and security with our comprehensive selection of code compliant packages, options and accessories. Options are factory-installed on the units; whereas accessories are sold separately and therefore, can be ordered after the product is installed. Consult product pages for the available options and accessories for each of our products.

PACKAGE COMPONENTS

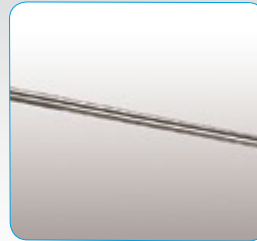
OPTIONS & ACCESSORIES

Grab Bars



AKER's Outlook *plus* textured stainless steel grab bars feature an easy to clean smooth surface. Straight¹, L-shaped² or U-shaped³, in multiple dimensions, there is one for every need. All grab bars are 1 1/4" in diameter, securely bolted through the wall, and are designed and tested to withstand up to **300 lb** of pressure as per major accessibility building codes.

Curtain Rod



Chrome curtain rod is factory installed. A white vinyl shower curtain is sold separately.

Phenolic Fold-Up Shower Seat



AKER's Outlook *plus* L-shaped fold-up seat is made with stainless steel frames and white Phenolic seat tops. Phenolic is a high quality material that is smooth and non-porous, easy to clean and does not retain bacteria. This fold-up seat virtually disappears in the shower when you don't need it, but is accessible when you do. All seats are designed and tested to withstand **300 lb** load capacity.

Soap Dish



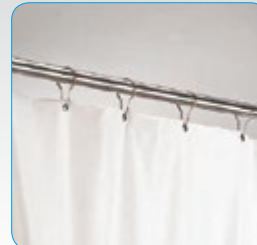
Functional recessed chrome soap dish for added storage space.

Phenolic Removable Tub Shower Seat



AKER's Outlook *plus* rectangular shaped removable seat is made with stainless steel frames and white Phenolic seat tops. Phenolic is a high quality material that is smooth and non-porous, easy to clean and does not retain bacteria. The seat can be placed on the tub for safe and secure transfers or completely removed when not required to optimize space. All seats are designed and tested to withstand **300 lb** load capacity.

Shower Curtain



White anti-bacterial vinyl curtain with stainless steel hooks.

Faucet Kit



Optimize your shower experience with the Outlook *plus* Code Compliant faucet kit available in chrome finish. The kit includes a pressure balance mixing valve, a hand-held shower, a slide bar and a 60" flexible hose.

Shower Drain



Functional solid brass shower drain with chrome stainless steel grid. Quick caulk-seal feature.

Reference Guide: Code Compliant Series

CODE COMPLIANT TUB SHOWER

OPTS-6032	p. 224
	57 x 32 x 70
ALCOVE	

CODE COMPLIANT SHOWERS

OPS-6036-RS	p. 228
	60 x 36 x 77
ALCOVE	

OPS-6036	p. 232
	60 x 36 x 77
ALCOVE	

OPS-6030-RS	p. 236
	60 x 30 x 77
ALCOVE	

OPS-6030	p. 239
	60 x 30 x 77
ALCOVE	

OPS-3636-RS	p. 243
	36 x 36 x 77
ALCOVE	

OPS-3636	p. 248
	36 x 36 x 77
ALCOVE	

OPTS-6032

57" x 31 1/2" x 69 3/4" - Gelcoat

Water Capacity: Max: 32.5 gal.

- One-piece tub shower reinforced according to FHA accessibility requirements
- Configurable to be compliant with major accessibility codes when properly installed
- Right-hand or left-hand drain
- Textured bottom
- Above-the-Floor Rough available

Complete ANSI compliant package shown in below picture

CODE COMPLIANT TUB SHOWER UNIT



OUTLOOK PLUS SERIES MODEL

No	Model	Dimensions	Pkg	Approx. weight	Std Color(s)	Non-std Color(s)
141309-000-XXX	One-piece tub shower base model ¹⁵ 141309-R-000-XXX Right-hand drain 141309-L-000-XXX Left-hand drain R/L hand refers to drain positioning. Specify: Standard colors: White (002), Bone (004), Biscuit (007) Non-standard colors: Refer to color chart in this book.	57 X 31 1/2 X 69 3/4 in. Ext. Dimensions: 59 3/4 X 34 X 74 1/2 in.	90 ft ³	154 lb	\$ 1,021	\$ 1,221

BASE MODEL WITH ADA GRAB BARS

No	Model	Dimensions	Pkg	Approx. weight	Std Color(s)	Non-std Color(s)
141310-000-XXX	Base model with ADA grab bars package ¹⁵ 141310-R-000-XXX 141310-L-000-XXX R/L hand refers to drain positioning. Specify: Standard colors: White (002), Bone (004), Biscuit (007) Non-standard colors: Refer to color chart in this book. Package includes : • Base model • 4 x 24" Horizontal straight textured Stainless Steel grab bars (factory installed)	57 X 31 1/2 X 69 3/4 in. Ext. Dimensions: 59 3/4 X 34 X 74 1/2 in.	90 ft ³	154 lb	\$ 1,817	\$ 2,017

BASE MODEL WITH ANSI GRAB BARS

No	Model	Dimensions	Pkg	Approx. weight	Std Color(s)	Non-std Color(s)
141311-000-XXX	Base model with ANSI grab bars package ¹⁵ 141311-R-000-XXX 141311-L-000-XXX R/L hand refers to drain positioning. Specify: Standard colors: White (002), Bone (004), Biscuit (007) Non-standard colors: Refer to color chart in this book. Package includes : • Base model • 4 x 24" Horizontal straight textured Stainless Steel grab bars (factory installed) • 1 x 18" Vertical straight textured Stainless Steel grab bar (factory installed)	57 X 31 1/2 X 69 3/4 in. Ext. Dimensions: 59 3/4 X 34 X 74 1/2 in.	90 ft ³	154 lb	\$ 1,999	\$ 2,199

OPTS-6032

BASE MODEL WITH MASSACHUSETTS GRAB BARS

No	Model	Dimensions	Pkg	Approx. weight	Std Color(s)	Non-std Color(s)
141382-000-XXX	<p>Base model with MASS grab bars package ¹⁵ 141382-R-000-XXX 141382-L-000-XXX R/L hand refers to drain positioning. Specify: Standard colors: White (002), Bone (004), Biscuit (007) Non-standard colors: Refer to color chart in this book.</p> <p>Package includes : • Base model • 2 x Horizontal Straight 48" textured Stainless Steel grab bars (factory installed)</p>	<p>57 X 31 1/2 X 69 3/4 in. Ext. Dimensions: 59 3/4 X 34 X 74 1/2 in.</p>	90 ft ³	154 lb	\$ 1,617	\$ 1,817

BASE MODEL WITH ADA GRAB BARS AND SEAT

No	Model	Dimensions	Pkg	Approx. weight	Std Color(s)	Non-std Color(s)
141312-000-XXX	<p>Base model with ADA grab bars & seat package 141312-R-000-XXX 141312-L-000-XXX R/L hand refers to drain positioning. Specify: Standard colors: White (002), Bone (004), Biscuit (007) Non-standard colors: Refer to color chart in this book.</p> <p>Package includes : • Base model • 4 x 24" Horizontal straight textured Stainless Steel grab bars (factory installed) • Removable Phenolic White seat</p>	<p>57 X 31 1/2 X 69 3/4 in. Ext. Dimensions: 59 3/4 X 34 X 74 1/2 in.</p>	90 ft ³	154 lb	\$ 2,144	\$ 2,344

BASE MODEL WITH ANSI GRAB BARS AND SEAT

No	Model	Dimensions	Pkg	Approx. weight	Std Color(s)	Non-std Color(s)
141313-000-XXX	<p>Base model with ANSI grab bars and seat package ¹⁵ 141313-L-000-XXX 141313-L-000-XXX R/L hand refers to drain positioning. Specify: Standard colors: White (002), Bone (004), Biscuit (007) Non-standard colors: Refer to color chart in this book.</p> <p>Package includes : Base model • 4 x 24" Horizontal straight textured Stainless Steel grab bars (factory installed) • 1 x 18" Vertical straight textured Stainless Steel grab bar (factory installed) • Removable Phenolic White seat</p>	<p>57 X 31 1/2 X 69 3/4 in. Ext. Dimensions: 59 3/4 X 34 X 74 1/2 in.</p>	90 ft ³	154 lb	\$ 2,325	\$ 2,525

BASE MODEL WITH MASSACHUSETTS GRAB BARS AND SEAT

No	Model	Dimensions	Pkg	Approx. weight	Std Color(s)	Non-std Color(s)
141370-000-XXX	<p>Base model with MASS grab bars & seat package ¹⁵ 141370-R-000-XXX 141370-L-000-XXX R/L hand refers to drain positioning. Specify: Standard colors: White (002), Bone (004), Biscuit (007) Non-standard colors: Refer to color chart in this book.</p> <p>Package includes : • Base model • 2 x Horizontal Straight 48" textured Stainless Steel grab bars (factory installed) • Removable Phenolic White seat</p>	<p>57 X 31 1/2 X 69 3/4 in. Ext. Dimensions: 59 3/4 X 34 X 74 1/2 in.</p>	90 ft ³	154 lb	\$ 1,959	\$ 2,159

OPTS-6032 (cont'd)

ADA COMPLIANT MODEL (WITH SEAT)

No	Model	Dimensions	Pkg	Approx. weight	Std Color(s)	Non-std Color(s)
141314-000-XXX	<p>Base model with complete ADA compliant package ¹⁵ 141314-R-000-XXX 141314-L-000-XXX R/L hand refers to drain positioning. Specify: Standard colors: White (002), Bone (004), Biscuit (007) Non-standard colors: Refer to color chart in this book.</p> <p>Package includes : • Base model • 4 x 24" Horizontal straight textured Stainless Steel grab bars (factory installed) • Removable Phenolic White seat • Chrome pressure balance mixing valve and hand shower • 24" Chrome slide bar and 60" hose</p>	<p>57 X 31 1/2 X 69 3/4 in. Ext. Dimensions: 59 3/4 X 34 X 74 1/2 in.</p>	90 ft ³	154 lb	\$ 2,874	\$ 3,074

ANSI COMPLIANT MODEL

No	Model	Dimensions	Pkg	Approx. weight	Std Color(s)	Non-std Color(s)
141315-000-XXX	<p>Base model with complete ANSI package ¹⁵ R-141315-R-000-XXX R-141315-L-000-XXX R/L hand refers to drain positioning. Specify: Standard colors: White (002), Bone (004), Biscuit (007) Non-standard colors: Refer to color chart in this book.</p> <p>Package includes : • Base model • 4 x 24" Horizontal straight textured Stainless Steel grab bars (factory installed) • 1 x 18" Vertical straight textured Stainless Steel grab bar (factory installed) • Removable Phenolic White seat • Chrome pressure balance mixing valve and hand shower • 24" Chrome slide bar and 60" hose</p>	<p>57 X 31 1/2 X 69 3/4 in. Ext. Dimensions: 59 3/4 X 34 X 74 1/2 in.</p>	90 ft ³	154 lb	\$ 3,056	\$ 3,256

MASSACHUSETTS COMPLIANT MODEL

No	Model	Dimensions	Pkg	Approx. weight	Std Color(s)	Non-std Color(s)
141316-000-XXX	<p>Base model with complete Massachusetts Package¹⁵ (Meets Massachusetts State code requirements) 141316-R-000-XXX 141316-L-000-XXX R/L hand refers to drain positioning. Specify: Standard colors: White (002), Bone (004), Biscuit (007) Non-standard colors: Refer to color chart in this book.</p> <p>Package includes : • Base model • 2 x 48" Horizontal straight textured Stainless Steel grab bars (factory installed) • Removable Phenolic White Seat • Chrome pressure balance mixing valve and hand shower • 30" Chrome slide bar and 60" hose</p>	<p>57 X 31 1/2 X 69 3/4 in. Ext. Dimensions: 59 3/4 X 34 X 74 1/2 in.</p>	90 ft ³	154 lb	\$ 2,836	\$ 3,036

COMMON OPTIONS

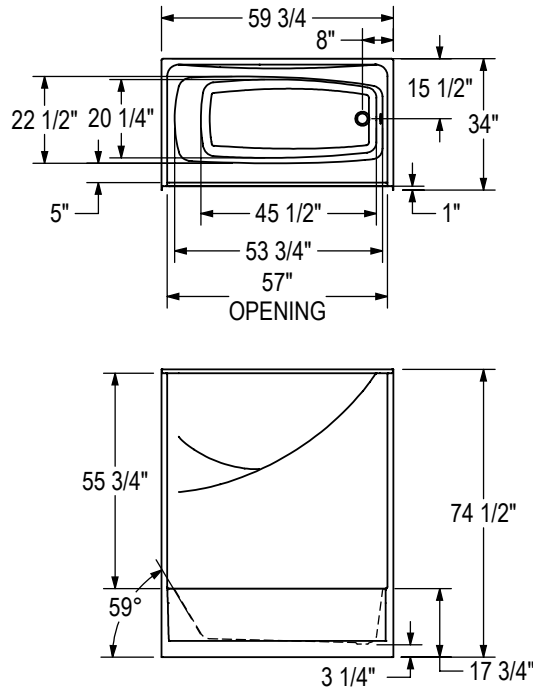
No	Model	Approx. weight	List Price
OPT 20258-XXX	56" Curtain rod (factory installed) Available colors: Chrome (084) or Stainless Steel (106)	N/A	Add \$ 77
OPT 20059-084	Recessed soap dish (Drilled, not installed) ² Available color: Chrome (084)	N/A	Add \$ 109

OPTS-6032 (cont'd)

ACCESSORIES

No	Model	Approx. weight	List Price
10020633-002	72 in. White vinyl shower curtain with Stainless Steel hooks (sold separately) ⁸	N/A	\$ 120

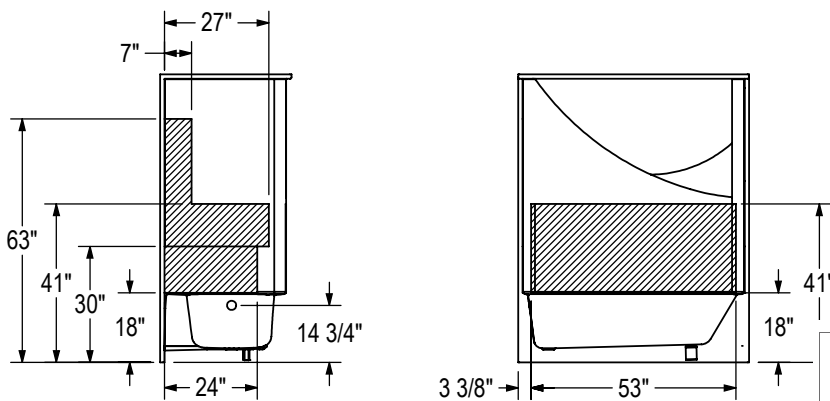
BASE MODEL
RIGHT SIDE SHOWN
LEFT SIDE SYMMETRICAL



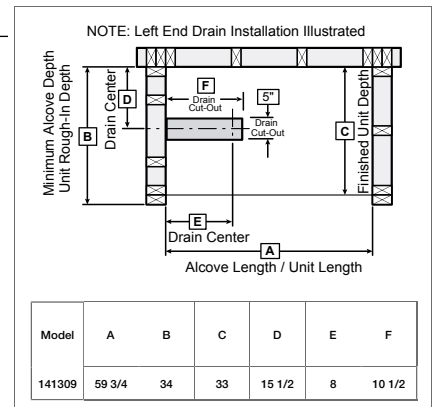
REINFORCEMENT BACKING

RIGHT WALL SHOWN
LEFT WALL SYMMETRICAL

BACK WALL



All dimensions are approximate. Structure measurements must be verified against the unit to ensure proper fit.

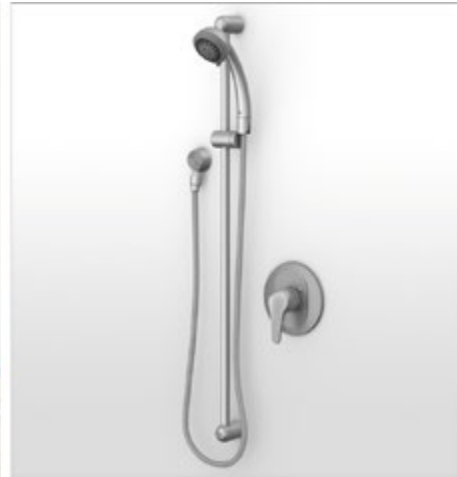


OPS-6036-RS

60" x 36" x 76 5/8" - Gelcoat

- One-piece roll-in shower reinforced according to FHA accessibility requirements
 - Configurable to be compliant with major accessibility codes when properly installed
 - Center drain
 - Textured bottom
 - 3/4 inch reduced skirt and 1/2 inch high threshold
- Complete ADA compliant package (without seat) shown in below picture

CODE COMPLIANT SHOWER UNITS



OUTLOOK PLUS SERIES MODEL

No	Model	Dimensions	Pkg	Approx. weight	Std Color(s)	Non-std Color(s)
141336-000-XXX	1-piece shower base model 141336-000-XXX Center drain Specify: Standard colors: White (002), Bone (004), Biscuit (007) Non-standard colors: Refer to color chart in this book.	60 X 36 X 76 5/8 in. Ext. Dimensions: 62 1/2 X 39 1/4 X 78 3/8 in.	119 ft ³	225 lb	\$ 1,179	\$ 1,279

BASE MODEL WITH ADA GRAB BAR

No	Model	Dimensions	Pkg	Approx. weight	Std Color(s)	Non-std Color(s)
141338-000-XXX	Base model with ADA U-shaped grab bar package 141338-000-XXX Specify: Standard colors: White (002), Bone (004), Biscuit (007) Non-standard colors: Refer to color chart in this book. Package includes : • Base model • 1 x Horizontal U-shaped 33" x 60" x 33" textured Stainless Steel grab bar (factory installed)	60 X 36 X 76 5/8 in. Ext. Dimensions: 62 1/2 X 39 1/4 X 78 3/8 in.	119 ft ³	225 lb	\$ 1,605	\$ 1,705

BASE MODEL WITH ADA/ANSI GRAB BAR

No	Model	Dimensions	Pkg	Approx. weight	Std Color(s)	Non-std Color(s)
141337-000-XXX	Base Model with ADA/ANSI L-shaped grab bar 141337-R-000-XXX 141337-L-000-XXX R/L hand refers to grab bar positioning. Specify: Standard colors: White (002), Bone (004), Biscuit (007) Non-standard colors: Refer to color chart in this book. Package includes : • Base model • 1 x Horizontal L-shaped 33" x 37" textured Stainless Steel grab bar (factory installed)	60 X 36 X 76 5/8 in. Ext. Dimensions: 62 1/2 X 39 1/4 X 78 3/8 in.	119 ft ³	225 lb	\$ 1,431	\$ 1,531

OPS-6036-RS

BASE MODEL WITH MASSACHUSETTS GRAB BAR

No	Model	Dimensions	Pkg	Approx. weight	Std Color(s)	Non-std Color(s)
141381-000-XXX	<p>Base model with MASS grab bar package 141381-000-XXX Specify: Standard colors: White (002), Bone (004), Biscuit (007) Non-standard colors: Refer to color chart in this book.</p> <p>Package includes : • Base model • 1 x Horizontal Straight 48" textured Stainless Steel grab bar (factory installed)</p>	<p>60 X 36 X 76 5/8 in. Ext. Dimensions: 62 1/2 X 39 1/4 X 78 3/8 in.</p>	119 ft ³	225 lb	\$ 1,436	\$ 1,536

BASE MODEL WITH ADA/ANSI GRAB BAR AND SEAT

No	Model	Dimensions	Pkg	Approx. weight	Std Color(s)	Non-std Color(s)
141339-000-XXX	<p>Base model with ADA/ANSI L-shaped grab bar & seat package 141339-R-000-XXX 141339-L-000-XXX R/L hand refers to grab bar positioning, seat will be installed on opposite side. Specify: Standard colors: White (002), Bone (004), Biscuit (007) Non-standard colors: Refer to color chart in this book.</p> <p>Package includes : • Base model • 1 x Horizontal L-shaped 33" x 37" textured Stainless Steel grab bar (factory installed) • L-shaped fold-up Phenolic White seat (factory installed)</p>	<p>60 X 36 X 76 5/8 in. Ext. Dimensions: 62 1/2 X 39 1/4 X 78 3/8 in.</p>	119 ft ³	225 lb	\$ 2,211	\$ 2,311

BASE MODEL WITH MASSACHUSETTS GRAB BAR AND SEAT

No	Model	Dimensions	Pkg	Approx. weight	Std Color(s)	Non-std Color(s)
141369-000-xxx	<p>Base model with MASS grab bar & seat package ¹⁰ 141369-R-000-XXX 141369-L-000-XXX Specify: Standard colors: White (002), Bone (004), Biscuit (007) Non-standard colors: Refer to color chart in this book.</p> <p>Package includes : • Base model • 1 x Horizontal Straight 48" textured Stainless Steel grab bar (factory installed) • L-shaped fold-up Phenolic White seat (factory installed)</p>	<p>60 X 36 X 76 5/8 in. Ext. Dimensions: 62 1/2 X 39 1/4 X 78 3/8 in.</p>	119 ft ³	225 lb	\$ 2,190	\$ 2,290

ADA COMPLIANT MODEL (WITHOUT SEAT)

No	Model	Dimensions	Pkg	Approx. weight	Std Color(s)	Non-std Color(s)
141341-000-XXX	<p>Base Model with complete ADA package (without seat) ¹¹ 141341-000-XXX Specify: Standard colors: White (002), Bone (004), Biscuit (007) Non-standard colors: Refer to color chart in this book.</p> <p>Package includes : • Base model • 1 x Horizontal U-shaped 33" x 60" x 33" textured Stainless Steel grab bar (factory installed) • Chrome pressure balance mixing valve and hand shower • 24" Chrome slide bar and 60" hose</p>	<p>60 X 36 X 76 5/8 in. Ext. Dimensions: 62 1/2 X 39 1/4 X 78 3/8 in.</p>	119 ft ³	225 lb	\$ 2,384	\$ 2,484

OPS-6036-RS (cont'd)

ADA/ANSI COMPLIANT MODEL

No	Model	Dimensions	Pkg	Approx. weight	Std Color(s)	Non-std Color(s)
141340-000-XXX	<p>Base Model with ADA/ANSI L-shaped grab bar 141340-R-000-XXX 141340-L-000-XXX R/L hand refers to grab bar positioning, seat will be installed on opposite side Specify: Standard colors: White (002), Bone (004), Biscuit (007) Non-standard colors: Refer to color chart in this book.</p> <p>Package includes : • Base model • 1 x Horizontal L-shaped 33" x 37" textured Stainless Steel grab bar (factory installed) • L-shaped fold-up Phenolic White seat (factory installed) • Chrome pressure balance mixing valve and hand shower • 24" Chrome slide bar and 60" hose</p>	<p>60 X 36 X 76 5/8 in. Ext. Dimensions: 62 1/2 X 39 1/4 X 78 3/8 in.</p>	119 ft ³	225 lb	\$ 2,941	\$ 3,041

MASSACHUSETTS COMPLIANT MODEL

No	Model	Dimensions	Pkg	Approx. weight	Std Color(s)	Non-std Color(s)
141342-000-XXX	<p>Base Model with ADA/ANSI L-shaped grab bar ¹⁰ 141342-L-000-XXX 141342-L-000-XXX R/L hand refers to grab bar positioning, seat will be installed on opposite side Specify: Standard colors: White (002), Bone (004), Biscuit (007) Non-standard colors: Refer to color chart in this book.</p> <p>Package includes: • Base model • 1 x 48" Horizontal straight textured Stainless Steel grab bar (factory installed) • Rectangular fold-up Naugahyde White seat (factory installed) • Chrome pressure balance mixing valve and hand shower • 36" Chrome slide bar and 60" hose</p>	<p>60 X 36 X 76 5/8 in. Ext. Dimensions: 62 1/2 X 39 1/4 X 78 3/8 in.</p>	119 ft ³	225 lb	\$ 3,061	\$ 3,161

COMMON OPTIONS

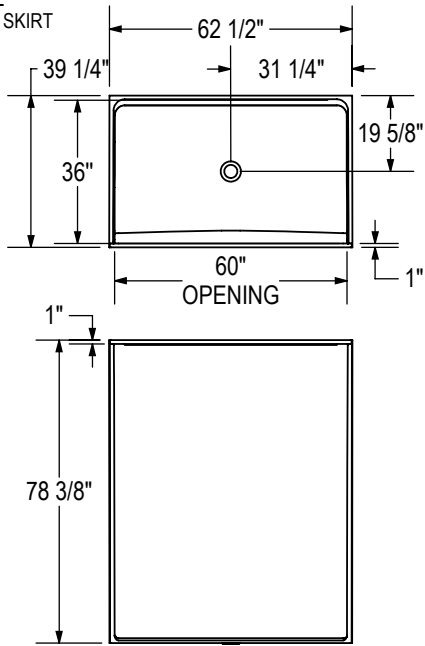
No	Model	Approx. weight	List Price
OPT 20059-084	Recessed soap dish (Drilled, not installed) ² Available color: Chrome (084)	N/A	Add \$ 109
OPT 20259-XXX	60" curtain rod (factory installed) Available colors: Chrome (084) and Stainless Steel (106)	N/A	Add \$ 82

ACCESSORIES

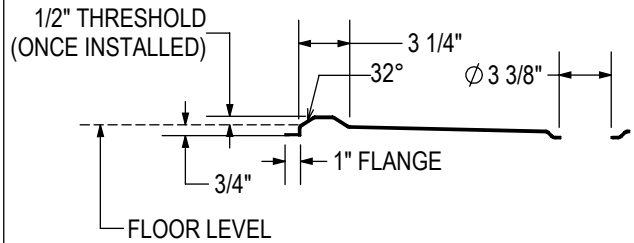
No	Model	Approx. weight	List Price
1000064	Solid Brass drain with Chrome plated Stainless Steel grid (sold separately)	N/A	\$ 39
10020633-002	72 in. White vinyl shower curtain with Stainless Steel hooks (sold separately) ⁸	N/A	\$ 120

OPS-6036-RS (cont'd)

BASE MODEL
WITH REDUCED SKIRT



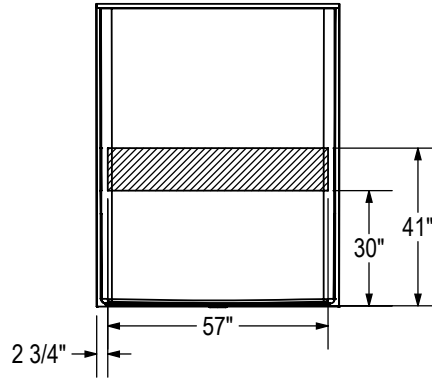
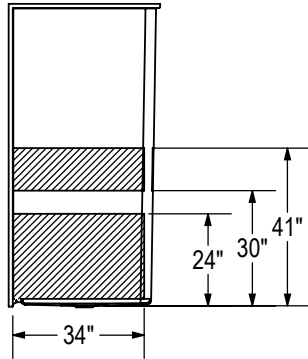
THRESHOLD DETAIL (REDUCED SKIRT)



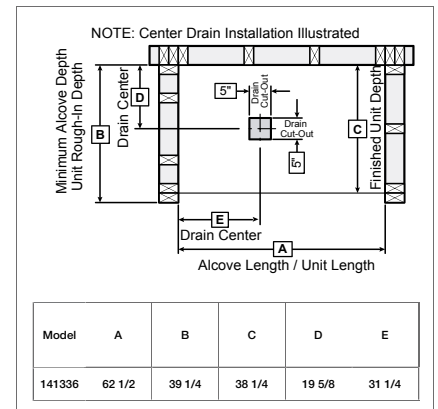
REINFORCEMENT BACKING

RIGHT WALL SHOWN
LEFT WALL SYMMETRICAL

BACK WALL



All dimensions are approximate. Structure measurements must be verified against the unit to ensure proper fit.



OPS-6036

60" x 36" x 76 5/8" - Gelcoat

- One-piece roll-in shower reinforced according to FHA accessibility requirements
- Configurable to be compliant with major accessibility codes when properly installed
- Center drain
- Textured bottom
- 1 1/8 inch skirt and 1/2 inch high threshold

CODE COMPLIANT SHOWER UNITS



OUTLOOK PLUS SERIES MODEL

No	Model	Dimensions	Pkg	Approx. weight	Std Color(s)	Non-std Color(s)
141294-000-XXX	1-Piece shower base model 141294-000-XXX Center drain Specify: Standard colors: White (002), Bone (004), Biscuit (007) Non-standard colors: Refer to color chart in this book.	60 X 36 X 76 5/8 in. Ext. Dimensions: 62 1/2 X 39 1/4 X 78 3/4 in.	119 ft ³	225 lb	\$ 1,155	\$ 1,255

BASE MODEL WITH ADA GRAB BAR

No	Model	Dimensions	Pkg	Approx. weight	Std Color(s)	Non-std Color(s)
141296-000-XXX	Base model with ADA U-shaped grab bar package 141296-000-XXX Center drain Specify: Standard colors: White (002), Bone (004), Biscuit (007) Non-standard colors: Refer to color chart in this book. Package includes : • Base model • 1 x Horizontal U-shaped 33" x 60" x 33" textured Stainless Steel grab bar (factory installed)	60 X 36 X 76 5/8 in. Ext. Dimensions: 62 1/2 X 39 1/4 X 78 3/4 in.	119 ft ³	225 lb	\$ 1,581	\$ 1,681

BASE MODEL WITH ADA/ANSI GRAB BAR

No	Model	Dimensions	Pkg	Approx. weight	Std Color(s)	Non-std Color(s)
141295-000-XXX	Base Model with ADA/ANSI L-shaped grab bar 141295-R-000-XXX 141295-L-000-XXX Specify: Standard colors: White (002), Bone (004), Biscuit (007) Non-standard colors: Refer to color chart in this book. Package includes : • Base model • 1 x Horizontal L-shaped 33" x 37" textured Stainless Steel grab bar (factory installed)	60 X 36 X 76 5/8 in. Ext. Dimensions: 62 1/2 X 39 1/4 X 78 3/4 in.	119 ft ³	225 lb	\$ 1,407	\$ 1,507

OPS-6036

BASE MODEL WITH MASSACHUSETTS GRAB BAR

No	Model	Dimensions	Pkg	Approx. weight	Std Color(s)	Non-std Color(s)
141380-000-XXX	<p>Base model with MASS grab bar package 141380-000-XXX Specify: Standard colors: White (002), Bone (004), Biscuit (007) Non-standard colors: Refer to color chart in this book.</p> <p>Package includes : • Base model • 1 x Horizontal Straight 48" textured Stainless Steel grab bar (factory installed)</p>	<p>60 X 36 X 76 5/8 in. Ext. Dimensions: 62 1/2 X 39 1/4 X 78 3/4 in.</p>	119 ft³	225 lb	\$ 1,400	\$ 1,500

BASE MODEL WITH ADA/ANSI GRAB BAR AND SEAT

No	Model	Dimensions	Pkg	Approx. weight	Std Color(s)	Non-std Color(s)
141297-000-XXX	<p>Base model with ADA/ANSI L-shaped grab bar & seat package 141297-R-000-XXX 141297-L-000-XXX Specify: Standard colors: White (002), Bone (004), Biscuit (007) Non-standard colors: Refer to color chart in this book Package includes : • Base model • 1 x Horizontal L-shaped 33" x 37" textured Stainless Steel grab bar (factory installed) • L-shaped fold-up Phenolic White seat (factory installed)</p>	<p>60 X 36 X 76 5/8 in. Ext. Dimensions: 62 1/2 X 39 1/4 X 78 3/4 in.</p>	119 ft³	225 lb	\$ 2,187	\$ 2,287

BASE MODEL WITH MASSACHUSETTS GRAB BAR AND SEAT

No	Model	Dimensions	Pkg	Approx. weight	Std Color(s)	Non-std Color(s)
141368-000-XXX	<p>Base model with Massachusetts grab bar & seat ¹⁰ Package (Meets Massachusetts State code requirements) 141368-000-XXX Specify: Standard colors: White (002), Bone (004), Biscuit (007) Non-standard colors: Refer to color chart in this book. Package includes : • Base model • 1 x 48" Horizontal straight textured Stainless Steel grab bar (factory installed) • Rectangular fold-up Naugahyde White seat (factory installed)</p>	<p>60 X 36 X 76 5/8 in. Ext. Dimensions: 62 1/2 X 39 1/4 X 78 3/4 in.</p>	119 ft³	225 lb	\$ 2,154	\$ 2,254

ADA COMPLIANT MODEL (WITHOUT SEAT)

No	Model	Dimensions	Pkg	Approx. weight	Std Color(s)	Non-std Color(s)
141299-000-XXX	<p>Base Model with ADA/ANSI L-shaped grab bar ¹¹ 141299-R-000-XXX 141299-L-000-XXX R/L hand refers to grab bar positioning, seat will be installed on opposite side Specify: Standard colors: White (002), Bone (004), Biscuit (007) Non-standard colors: Refer to color chart in this book.</p> <p>Package includes : • Base model • 1 x Horizontal U-shaped 33" x 60" x 33" textured Stainless Steel grab bar (factory installed) • Chrome pressure balance mixing valve and hand shower • 24" Chrome slide bar and 60" hose</p>	<p>60 X 36 X 76 5/8 in. Ext. Dimensions: 62 1/2 X 39 1/4 X 78 3/4 in.</p>	119 ft³	225 lb	\$ 2,360	\$ 2,460

OPS-6036 (cont'd)

ADA/ANSI COMPLIANT MODEL (WITH SEAT)

No	Model	Dimensions	Pkg	Approx. weight	Std Color(s)	Non-std Color(s)
141298-000-XXX	<p>Base Model with ADA/ANSI L-shaped grab bar 141298-R-000-XXX 141298-L-000-XXX R/L hand refers to grab bar positioning, seat will be installed on opposite side Specify: Standard colors: White (002), Bone (004), Biscuit (007) Non-standard colors: Refer to color chart in this book.</p> <p>Package includes : • Base model • 1 x Horizontal L-shaped 33" x 37" textured Stainless Steel grab bar (factory installed) • L-shaped fold-up Phenolic White seat (factory installed) • Chrome pressure balance mixing valve and hand shower • 24" Chrome slide bar and 60" hose</p>	<p>60 X 36 X 76 5/8 in. Ext. Dimensions: 62 1/2 X 39 1/4 X 78 3/4 in.</p>	119 ft ³	225 lb	\$ 2,917	\$ 3,017

MASSACHUSETTS COMPLIANT MODEL

No	Model	Dimensions	Pkg	Approx. weight	Std Color(s)	Non-std Color(s)
141300-000-XXX	<p>Base Model with ADA/ANSI L-shaped grab bar ¹⁰ 141300-L-000-XXX 141300-L-000-XXX R/L hand refers to grab bar positioning, seat will be installed on opposite side Specify: Standard colors: White (002), Bone (004), Biscuit (007) Non-standard colors: Refer to color chart in this book.</p> <p>Package includes: • Base model • 1 x 48" Horizontal straight textured Stainless Steel grab bar (factory installed) • Rectangular fold-up Naugahyde White seat (factory installed) • Chrome pressure balance mixing valve and hand shower • 36" Chrome slide bar and 60" hose</p>	<p>60 X 36 X 76 5/8 in. Ext. Dimensions: 62 1/2 X 39 1/4 X 78 3/4 in.</p>	119 ft ³	225 lb	\$ 3,036	\$ 3,136

COMMON OPTIONS

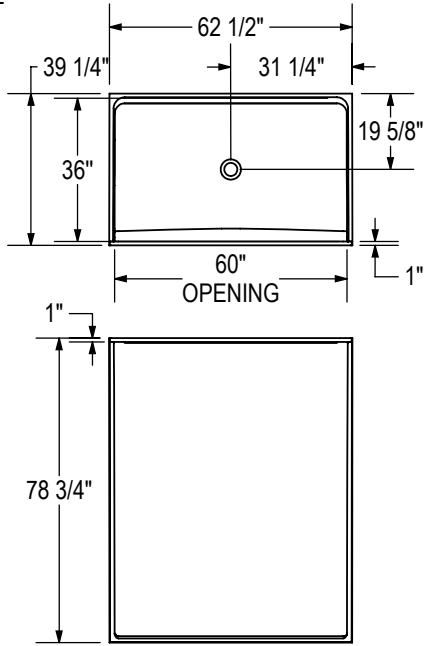
No	Model	Approx. weight	List Price
OPT 20059-084	Recessed soap dish (Drilled, not installed) ² Available color: Chrome (084)	N/A	Add \$ 109
OPT 20259-XXX	60" curtain rod (factory installed) Available colors: Chrome (084) and Stainless Steel (106)	N/A	Add \$ 82

ACCESSORIES

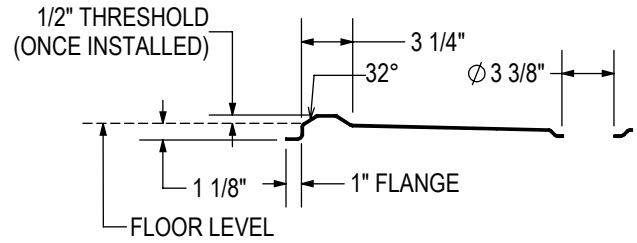
No	Model	Approx. weight	List Price
1000064	Solid Brass drain with Chrome plated Stainless Steel grid (sold separately)	N/A	\$ 39
10020633-002	72 in. White vinyl shower curtain with Stainless Steel hooks (sold separately) ⁸	N/A	\$ 120

OPS-6036 (cont'd)

BASE MODEL



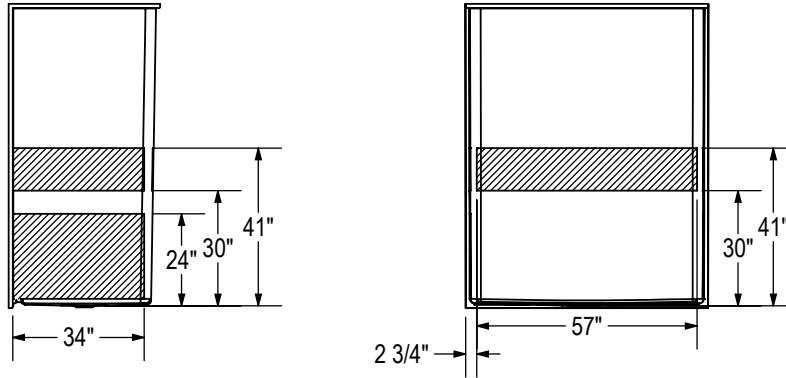
THRESHOLD DETAIL



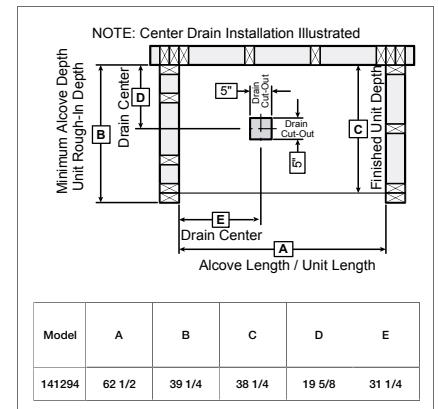
REINFORCEMENT BACKING

RIGHT WALL SHOWN
LEFT WALL SYMMETRICAL

BACK WALL



All dimensions are approximate. Structure measurements must be verified against the unit to ensure proper fit.



OPS-6030-RS

60" x 30 1/4" x 76 5/8" - Gelcoat

- One-piece roll-in shower reinforced according to FHA accessibility requirements
 - Configurable to be compliant with major accessibility codes when properly installed
 - Center drain
 - Textured bottom
 - 3/4 inch reduced skirt and 1/2 inch high threshold
- Complete ADA/ANSI compliant package shown in below picture

CODE COMPLIANT SHOWER UNITS



OUTLOOK PLUS SHOWER MODEL

No	Model	Dimensions	Pkg	Approx. weight	Std Color(s)	Non-std Color(s)
141329-000-XXX	1-piece shower base model 141329-000-XXX Center drain Specify: Standard colors: White (002), Bone (004), Biscuit (007) Non-standard colors: Refer to color chart in this book.	60 X 30 1/4 X 76 5/8 in. Ext. Dimensions: 62 7/8 X 33 1/4 X 78 3/8 in.	105 ft ³	195 lb	\$ 1,201	\$ 1,301

BASE MODEL WITH ADA GRAB BAR

No	Model	Dimensions	Pkg	Approx. weight	Std Color(s)	Non-std Color(s)
141331-000-XXX	Base model with ADA U-shaped grab bar package 141331-000-XXX Specify: Standard colors: White (002), Bone (004), Biscuit (007) Non-standard colors: Refer to color chart in this book. Package includes: • Base model • 1 x Horizontal U-shaped 27" x 60" x 27" textured Stainless Steel grab bar (factory installed)	60 X 30 1/4 X 76 5/8 in. Ext. Dimensions: 62 7/8 X 33 1/4 X 78 3/8 in.	105 ft ³	195 lb	\$ 1,648	\$ 1,748

BASE MODEL WITH ADA/ANSI GRAB BAR

No	Model	Dimensions	Pkg	Approx. weight	Std Color(s)	Non-std Color(s)
141330-000-XXX	Base model with ADA/ANSI L-shaped grab bar package 141330-R-000-XXX 141330-L-000-XXX R/L hand refers to grab bar positioning. Specify: Standard colors: White (002), Bone (004), Biscuit (007) Non-standard colors: Refer to color chart in this book. Package includes: • Base model • 1 x Horizontal L-shaped 27" x 37" textured Stainless Steel grab bar (factory installed)	60 X 30 1/4 X 76 5/8 in. Ext. Dimensions: 62 7/8 X 33 1/4 X 78 3/8 in.	105 ft ³	195 lb	\$ 1,479	\$ 1,579

OPS-6030-RS (cont'd)

BASE MODEL WITH ADA/ANSI GRAB BAR AND SEAT

No	Model	Dimensions	Pkg	Approx. weight	Std Color(s)	Non-std Color(s)
141332-000-XXX	<p>Base model with ADA/ANSI L-shaped grab bar & seat package 141332-R-000-XXX 141332-L-000-XXX R/L hand refers to grab bar positioning, seat will be installed on opposite side. Specify: Standard colors: White (002), Bone (004), Biscuit (007) Non-standard colors: Refer to color chart in this book.</p> <p>Package includes : • Base model • 1 x Horizontal L-shaped 27" x 37" textured Stainless Steel grab bar (factory installed) • L-shaped fold-up Phenolic White seat (factory installed)</p>	<p>60 X 30 1/4 X 76 5/8 in. Ext. Dimensions: 62 7/8 X 33 1/4 X 78 3/8 in.</p>	105 ft ³	195 lb	\$ 2,275	\$ 2,375

ADA COMPLIANT MODEL (WITHOUT SEAT)

No	Model	Dimensions	Pkg	Approx. weight	Std Color(s)	Non-std Color(s)
141334-000-XXX	<p>Base model with complete ADA package (without seat) ¹¹ 141334-000-XXX Specify: Standard colors: White (002), Bone (004), Biscuit (007) Non-standard colors: Refer to color chart in this book.</p> <p>Package includes: • Base model • 1 x Horizontal U-shaped 27" x 60" x 27" textured Stainless Steel grab bar (factory installed) • Chrome pressure balance mixing valve and hand shower • 24" Chrome slide bar and 60" hose</p>	<p>60 X 30 1/4 X 76 5/8 in. Ext. Dimensions: 62 7/8 X 33 1/4 X 78 3/8 in.</p>	105 ft ³	195 lb	\$ 2,444	\$ 2,544

ADA/ANSI COMPLIANT MODEL (WITH SEAT)

No	Model	Dimensions	Pkg	Approx. weight	Std Color(s)	Non-std Color(s)
141333-000-XXX	<p>Base model with complete ADA/ANSI package (with seat) 141333-L-000-XXX 141333-R-000-XXX R/L hand refers to grab bar positioning, seat will be installed on opposite side. Specify: Standard colors: White (002), Bone (004), Biscuit (007) Non-standard colors: Refer to color chart in this book.</p> <p>Package includes : • Base model • 1 x Horizontal L-shaped 27" x 37" textured Stainless Steel grab bar (factory installed) • L-shaped fold-up Phenolic White seat (factory installed) • Chrome pressure balance mixing valve and hand shower • 24" Chrome slide bar and 60" hose</p>	<p>60 X 30 1/4 X 76 5/8 in. Ext. Dimensions: 62 7/8 X 33 1/4 X 78 3/8 in.</p>	105 ft ³	195 lb	\$ 3,005	\$ 3,105

COMMON OPTIONS

No	Model	Approx. weight	List Price
OPT 20059-084	Recessed soap dish (Drilled, not installed) ² Available color: Chrome (084)	N/A	Add \$ 109
OPT 20259-XXX	60" curtain rod (factory installed) Available colors: Chrome (084) and Stainless Steel (106)	N/A	Add \$ 82

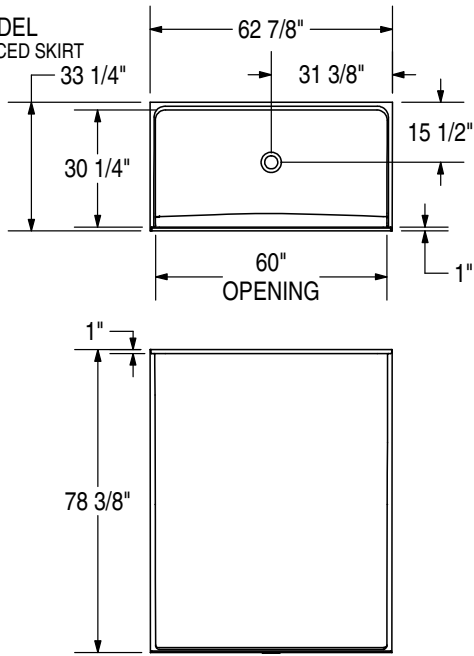
ACCESSORIES

No	Model	Approx. weight	List Price
10000064	Solid Brass drain with Chrome plated Stainless Steel grid (sold separately)	N/A	\$ 39
10020633-002	72 in. White vinyl shower curtain with Stainless Steel hooks (sold separately) ⁸	N/A	\$ 120

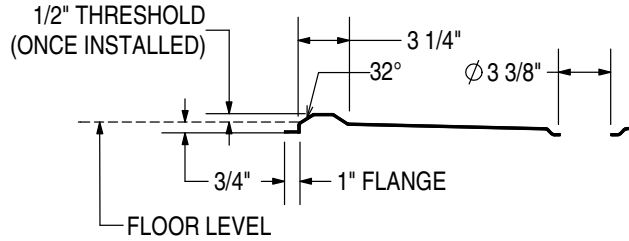
OPS-6030-RS (cont'd)

CODE COMPLIANT SHOWER UNITS

BASE MODEL
WITH REDUCED SKIRT



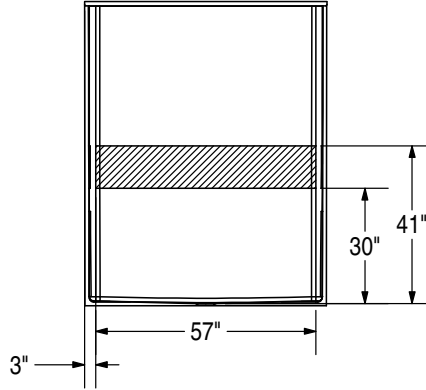
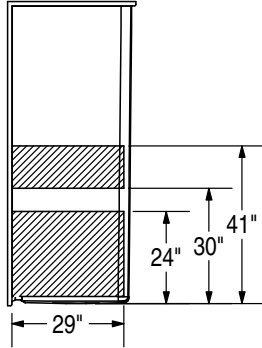
THRESHOLD DETAIL (REDUCED SKIRT)



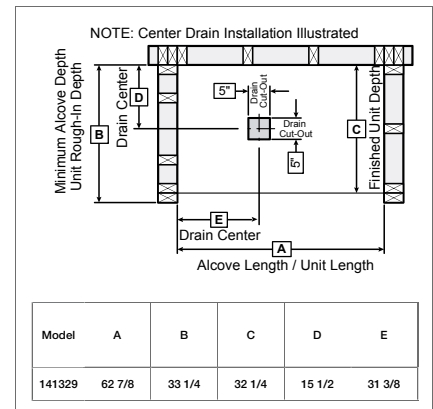
REINFORCEMENT BACKING

RIGHT WALL SHOWN
LEFT WALL SYMMETRICAL

BACK WALL



All dimensions are approximate. Structure measurements must be verified against the unit to ensure proper fit.



OPS-6030

60" x 30 1/4" x 76 5/8" - Gelcoat

- One-piece roll-in shower reinforced according to FHA accessibility requirements
 - Configurable to be a compliant with major accessibility codes when properly installed
 - Center drain
 - Textured bottom
 - 1 1/8 inch skirt and 1/2 inch high threshold
- Complete ADA/ANSI compliant package shown in the picture below



CODE COMPLIANT SHOWER UNITS

OUTLOOK PLUS SERIES MODEL

No	Model	Dimensions	Pkg	Approx. weight	Std Color(s)	Non-std Color(s)
141287-000-XXX	1-piece shower base model 141287-000-XXX Center drain Specify: Standard colors: White (002), Bone (004), Biscuit (007) Non-standard colors: Refer to color chart in this book. Massachusetts compliant (base model only)	60 X 30 1/4 X 76 5/8 in. Ext. Dimensions: 62 7/8 X 33 1/4 X 78 3/4 in.	105 ft ³	195 lb	\$ 1,177	\$ 1,277

BASE MODEL WITH ADA GRAB BAR

No	Model	Dimensions	Pkg	Approx. weight	Std Color(s)	Non-std Color(s)
141289-000-XXX	Base model with ADA U-shaped grab bar package 141289-000-XXX Specify: Standard colors: White (002), Bone (004), Biscuit (007) Non-standard colors: Refer to color chart in this book. Package includes: • Base model • 1 x Horizontal U-shaped 27" x 60" x 27" textured Stainless Steel grab bar (factory installed)	60 X 30 1/4 X 76 5/8 in. Ext. Dimensions: 62 7/8 X 33 1/4 X 78 3/4 in.	105 ft ³	195 lb	\$ 1,624	\$ 1,724

BASE MODEL WITH ADA/ANSI GRAB BAR

No	Model	Dimensions	Pkg	Approx. weight	Std Color(s)	Non-std Color(s)
141288-000-XXX	Base model with ADA/ANSI L-shaped grab bar package 141288-R-000-XXX 141288-L-000-XXX R/L hand refers to grab bar positioning. Specify: Standard colors: White (002), Bone (004), Biscuit (007) Non-standard colors: Refer to color chart in this book. Package includes : • Base model • 1 x Horizontal L-shaped 27" x 37" textured Stainless Steel grab bar (factory	60 X 30 1/4 X 76 5/8 in. Ext. Dimensions: 62 7/8 X 33 1/4 X 78 3/4 in.	105 ft ³	195 lb	\$ 1,455	\$ 1,555

OPS-6030 (cont'd)

BASE MODEL WITH ADA/ANSI GRAB BAR AND SEAT

No	Model	Dimensions	Pkg	Approx. weight	Std Color(s)	Non-std Color(s)
141290-000-XXX	<p>Base model with ADA/ANSI L-shaped grab bar & seat package 141290-R-000-XXX 141290-L-000-XXX R/L hand refers to grab bar positioning, seat will be installed on opposite side. Specify: Standard colors: White (002), Bone (004), Biscuit (007) Non-standard colors: Refer to color chart in this book.</p> <p>Package includes : • Base model • 1 x Horizontal L-shaped 27" x 37" textured Stainless Steel grab bar (factory installed) • L-shaped fold-up Phenolic White seat (factory installed)</p>	<p>60 X 30 1/4 X 76 5/8 in. Ext. Dimensions: 62 7/8 X 33 1/4 X 78 3/4 in.</p>	105 ft ³	195 lb	\$ 2,251	\$ 2,351

ADA COMPLIANT MODEL (WITHOUT SEAT)

No	Model	Dimensions	Pkg	Approx. weight	Std Color(s)	Non-std Color(s)
141292-000-XXX	<p>Base model with complete ADA package (without seat) ¹¹ 141292-000-XXX Specify: Standard colors: White (002), Bone (004), Biscuit (007) Non-standard colors: Refer to color chart in this book.</p> <p>Package includes: • Base model • 1 x Horizontal U-shaped 27" x 60" x 27" textured Stainless Steel grab bar (factory installed) • Chrome pressure balance mixing valve and hand shower • 24" Chrome slide bar and 60" hose</p>	<p>60 X 30 1/4 X 76 5/8 in. Ext. Dimensions: 62 7/8 X 33 1/4 X 78 3/4 in.</p>	105 ft ³	195 lb	\$ 2,420	\$ 2,520

ADA/ANSI COMPLIANT MODEL (WITH SEAT)

No	Model	Dimensions	Pkg	Approx. weight	Std Color(s)	Non-std Color(s)
141291-000-XXX	<p>Base model with complete ADA/ANSI package (with seat) 141291-L-000-XXX 141291-R-000-XXX R/L hand refers to grab bar positioning, seat will be installed on opposite side. Specify: Standard colors: White (002), Bone (004), Biscuit (007) Non-standard colors: Refer to color chart in this book.</p> <p>Package includes : • Base model • 1 x Horizontal L-shaped 27" x 37" textured Stainless Steel grab bar (factory installed) • L-shaped fold-up Phenolic White seat (factory installed) • Chrome pressure balance mixing valve and hand shower • 24" Chrome slide bar and 60" hose</p>	<p>60 X 30 1/4 X 76 5/8 in. Ext. Dimensions: 62 7/8 X 33 1/4 X 78 3/4 in.</p>	105 ft ³	195 lb	\$ 2,981	\$ 3,081

COMMON OPTIONS

No	Model	Approx. weight	List Price
OPT 20059-084	Recessed soap dish (Drilled, not installed) ² Available color: Chrome (084)	N/A	Add \$ 109
OPT 20259-XXX	60" curtain rod (factory installed) Available colors: Chrome (084) and Stainless Steel (106)	N/A	Add \$ 82

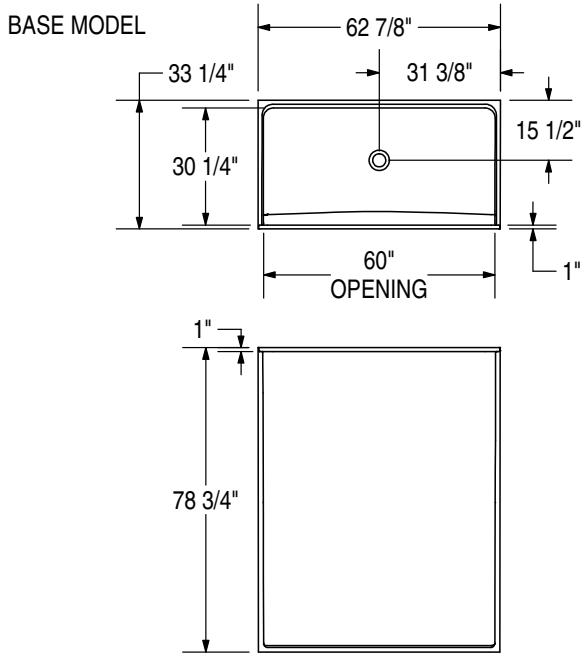
OPS-6030 (cont'd)

ACCESSORIES

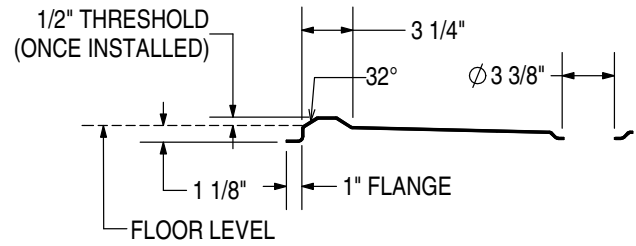
No	Model	Approx. weight	List Price
10000064	Solid Brass drain with Chrome plated Stainless Steel grid (sold separately)	N/A	\$ 39
10020633-002	72 in. White vinyl shower curtain with Stainless Steel hooks (sold separately) ⁸	N/A	\$ 120



OPS-6030 (cont'd)



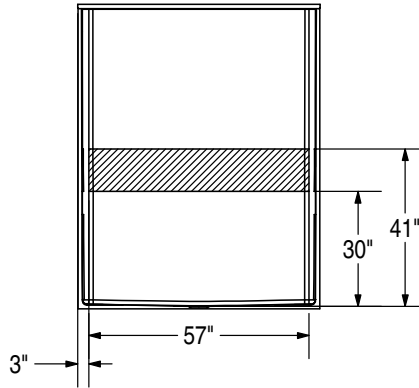
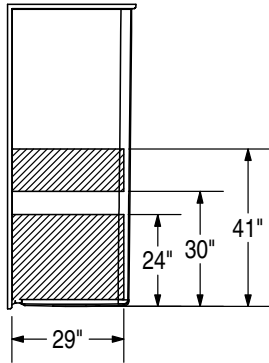
THRESHOLD DETAIL



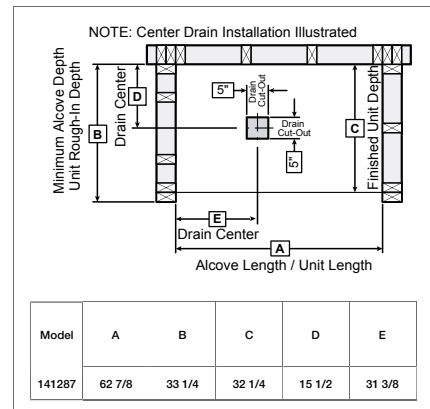
REINFORCEMENT BACKING

RIGHT WALL SHOWN
LEFT WALL SYMMETRICAL

BACK WALL



All dimensions are approximate. Structure measurements must be verified against the unit to ensure proper fit.



OPS-3636-RS

36" x 36" x 76 5/8" - Gelcoat

- One-piece transfer shower reinforced according to FHA accessibility requirements
 - Configurable to be a compliant with major accessibility codes when properly installed
 - Center drain
 - Textured bottom
 - 3/4 inch reduced skirt and 1/2 inch high threshold
- Complete ANSI compliant package shown in below picture



OUTLOOK PLUS SERIES MODEL

No	Model	Dimensions	Pkg	Approx. weight	Std Color(s)	Non-std Color(s)
141321-000-XXX	1-piece shower base model 141321-000-XXX Center drain Specify: Standard colors: White (002), Bone (004), Biscuit (007) Non-standard colors: Refer to color chart in this book.	36 X 36 X 76 5/8 in. Ext. Dimensions: 38 3/4 X 39 X 78 3/8 in.	75 ft ³	162 lb	\$ 1,061	\$ 1,161

BASE MODEL WITH ADA GRAB BAR

No	Model	Dimensions	Pkg	Approx. weight	Std Color(s)	Non-std Color(s)
141322-000-XXX	Base model with ADA grab bar package 141322-R-000-XXX 141322-L-000-XXX R/L hand refers to grab bar positioning. Specify: Standard colors: White (002), Bone (004), Biscuit (007) Non-standard colors: Refer to color chart in this book. Package includes: • Base model • 1 x Horizontal L-shaped 34 3/8" x 18" textured Stainless Steel grab bar (factory installed)	36 X 36 X 76 5/8 in. Ext. Dimensions: 38 3/4 X 39 X 78 3/8 in.	75 ft ³	162 lb	\$ 1,339	\$ 1,439

BASE MODEL WITH ANSI GRAB BARS

No	Model	Dimensions	Pkg	Approx. weight	Std Color(s)	Non-std Color(s)
141323-000-XXX	Base model with ANSI grab bars package 141323-R-000-XXX 141323-L-000-XXX R/L hand refers to grab bar positioning. Specify: Standard colors: White (002), Bone (004), Biscuit (007) Non-standard colors: Refer to color chart in this book. Package includes: • Base model • 1 x Horizontal L-shaped 34 3/8" x 18" textured Stainless Steel grab bar (factory installed) • 1 x 18" Vertical straight textured Stainless Steel grab bar (factory installed)	36 X 36 X 76 5/8 in. Ext. Dimensions: 38 3/4 X 39 X 78 3/8 in.	75 ft ³	162 lb	\$ 1,535	\$ 1,635

OPS-3636-RS

CODE COMPLIANT SHOWER UNITS

BASE MODEL WITH MASSACHUSETTS GRAB BARS

No	Model	Dimensions	Pkg	Approx. weight	Std Color(s)	Non-std Color(s)
141379-000-XXX	<p>Base model with MASS grab bars package 141379-R-000-XXX 141379-L-000-XXX R/L hand refers to grab bar positioning. Specify: Standard colors: White (002), Bone (004), Biscuit (007) Non-standard colors: Refer to color chart in this book.</p> <p>Package includes: • Base model • 2 x Horizontal Straight 30" textured Stainless Steel grab bar (factory installed)</p>	<p>36 X 36 X 76 5/8 in. Ext. Dimensions: 38 3/4 X 39 X 78 3/8 in.</p>	75 ft ³	162 lb	\$ 1,497	\$ 1,597

BASE MODEL WITH ADA GRAB BAR AND SEAT

No	Model	Dimensions	Pkg	Approx. weight	Std Color(s)	Non-std Color(s)
141324-000-XXX	<p>Base model with ADA grab bar & seat package 141324-R-000-XXX 141324-L-000-XXX R/L hand refers to grab bar positioning, seat will be installed on opposite side. Specify: Standard colors: White (002), Bone (004), Biscuit (007) Non-standard colors: Refer to color chart in this book.</p> <p>Package includes : • Base model • 1 x Horizontal L-shaped 34 3/8" x 18" textured Stainless Steel grab bar (factory installed) • L-shaped fold-up Phenolic White seat (factory installed)</p>	<p>36 X 36 X 76 5/8 in. Ext. Dimensions: 38 3/4 X 39 X 78 3/8 in.</p>	75 ft ³	162 lb	\$ 2,105	\$ 2,205

BASE MODEL WITH ANSI GRAB BARS AND SEAT

No	Model	Dimensions	Pkg	Approx. weight	Std Color(s)	Non-std Color(s)
141325-000-XXX	<p>Base model with ANSI grab bars & seat package 141325-L-000-XXX 141325-R-000-XXX R/L hand refers to grab bar positioning, seat will be installed on opposite side. Specify: Standard colors: White (002), Bone (004), Biscuit (007) Non-standard colors: Refer to color chart in this book.</p> <p>Package includes : • Base model • 1 x Horizontal L-shaped 34 3/8" x 18" textured Stainless Steel grab bar (factory installed) • 1 x 18" Vertical straight textured Stainless Steel grab bar (factory installed) • L-shaped fold-up Phenolic White seat (factory installed)</p>	<p>36 X 36 X 76 5/8 in. Ext. Dimensions: 38 3/4 X 39 X 78 3/8 in.</p>	75 ft ³	162 lb	\$ 2,287	\$ 2,387

OPS-3636-RS

BASE MODEL WITH MASSACHUSETTS GRAB BARS & SEAT

No	Model	Dimensions	Pkg	Approx. weight	Std Color(s)	Non-std Color(s)
141367-000-XXX	<p>Base model with MASS grab bar & seat Package (Meets Massachusetts State code requirements) 141367-R-000-XXX 141367-L-000-XXX R/L hand refers to grab bar positioning, seat will be installed on opposite side. Specify: Standard colors: White (002), Bone (004), Biscuit (007) Non-standard colors: Refer to color chart in this book.</p> <p>Package includes : <ul style="list-style-type: none"> • Base model • 2 x Horizontal Straight 30" textured Stainless Steel grab bar (factory installed) • L-shaped fold-up Phenolic White seat (factory installed) </p>	<p>36 X 36 X 76 5/8 in. Ext. Dimensions: 38 3/4 X 39 X 78 3/8 in.</p>	75 ft ³	162 lb	\$ 2,251	\$ 2,351

ADA COMPLIANT MODEL

No	Model	Dimensions	Pkg	Approx. weight	Std Color(s)	Non-std Color(s)
141326-000-XXX	<p>1-piece shower with ADA compliant package 141326-L-000-XXX 141326-R-000-XXX R/L hand refers to grab bar positioning, seat will be installed on opposite side. Specify: Standard colors: White (002), Bone (004), Biscuit (007) Non-standard colors: Refer to color chart in this book.</p> <p>Package includes: <ul style="list-style-type: none"> • Base model • 1 x Horizontal L shaped 34 3/8" x 18" textured Stainless Steel grab bar(factory installed) • L-shaped fold-up Phenolic White seat (factory installed) • Chrome pressure balance mixing valve with hand shower • 24" Chrome slide bar and 60" hose </p>	<p>36 X 36 X 76 5/8 in. Ext. Dimensions: 38 3/4 X 39 X 78 3/8 in.</p>	75 ft ³	162 lb	\$ 2,835	\$ 2,935

ANSI COMPLIANT MODEL

No	Model	Dimensions	Pkg	Approx. weight	Std Color(s)	Non-std Color(s)
141327-000-XXX	<p>Base model with complete ANSI package 141327-L-000-XXX 141327-R-000-XXX R/L hand refers to grab bar positioning, seat will be installed on opposite side. Specify: Standard colors: White (002), Bone (004), Biscuit (007) Non-standard colors: Refer to color chart in this book.</p> <p>Package includes: <ul style="list-style-type: none"> • Base model • 1 x Horizontal L shaped 34 3/8" x 18" textured Stainless Steel grab bar(factory installed) • 1 x 18" Vertical straight textured Stainless Steel grab • L-shaped fold-up Phenolic White seat (factory installed) • Chrome pressure balance mixing valve with hand shower • 24" Chrome slide bar and 60" hose </p>	<p>36 X 36 X 76 5/8 in. Ext. Dimensions: 38 3/4 X 39 X 78 3/8 in.</p>	75 ft ³	162 lb	\$ 3,017	\$ 3,117

OPS-3636-RS (cont'd)

MASSACHUSETTS COMPLIANT MODEL

No	Model	Dimensions	Pkg	Approx. weight	Std Color(s)	Non-std Color(s)
141328-000-XXX	<p>Base model with complete Massachusetts package (Meets Massachusetts State code requirements) 141328-L-000-XXX 141328-R-000-XXX</p> <p>R/L hand refers to grab bar positioning, seat will be installed on opposite side. Specify: Standard colors: White (002), Bone (004), Biscuit (007) Non-standard colors: Refer to color chart in this book.</p> <p>Package Includes:</p> <ul style="list-style-type: none"> • Base model • 2 x 30" Horizontal straight textured Stainless Steel grab bar (factory installed) • Rectangular fold-up Naugahyde White seat (factory installed) • Chrome pressure balance mixing valve and hand shower • 30" Chrome slide bar and 60" hose 	<p>36 X 36 X 76 5/8 in. Ext. Dimensions: 38 3/4 X 39 X 78 3/8 in.</p>	75 ft ³	162 lb	\$ 3,092	\$ 3,192

COMMON OPTIONS

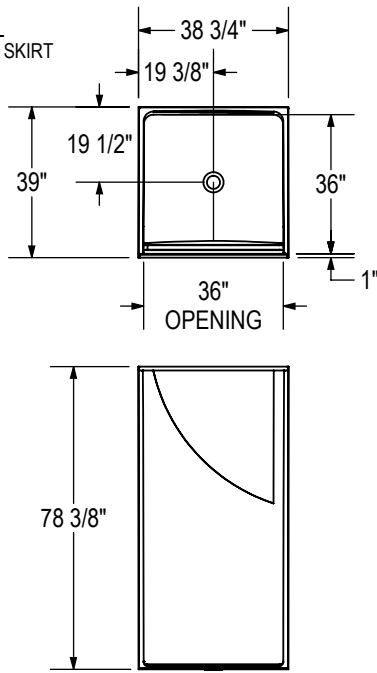
No	Model	Approx. weight	List Price
OPT 10225-084	36" Chrome curtain rod (factory installed)	N/A	Add \$ 60
OPT 20059-084	Recessed soap dish (Drilled, not installed) ² Available color: Chrome (084)	N/A	Add \$ 109

ACCESSORIES

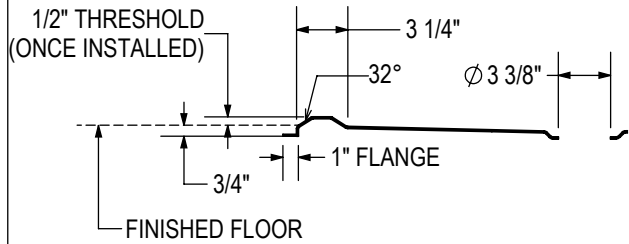
No	Model	Approx. weight	List Price
10000064	Solid Brass drain with Chrome plated Stainless Steel grid (sold separately)	N/A	\$ 39
10020632-002	36" White vinyl shower curtain with Stainless Steel hooks (sold separately)	N/A	\$ 82

OPS-3636-RS (cont'd)

BASE MODEL
WITH REDUCED SKIRT

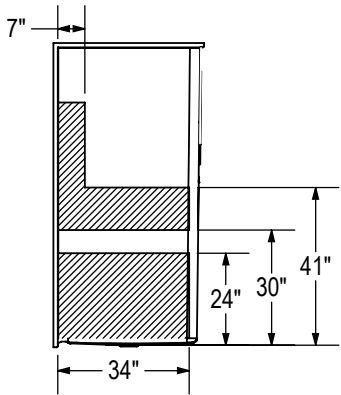


THRESHOLD DETAIL (REDUCED SKIRT)

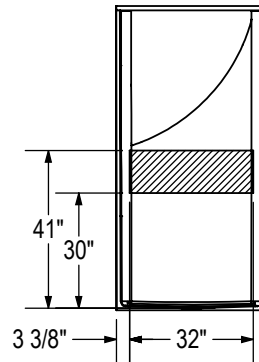


REINFORCEMENT BACKING

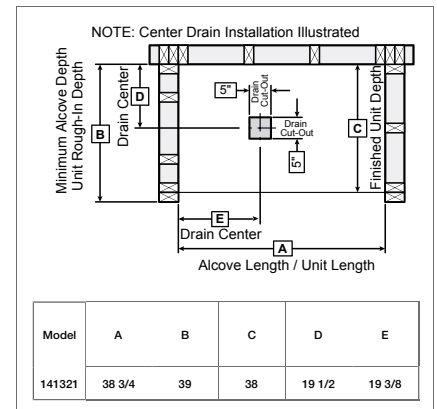
RIGHT WALL SHOWN
LEFT WALL SYMMETRICAL



BACK WALL



All dimensions are approximate. Structure measurements must be verified against the unit to ensure proper fit.



OPS-3636

36" x 36" x 76 5/8" - Gelcoat

- One-piece transfer shower reinforced according to FHA accessibility requirements
 - Configurable to be compliant with major accessibility codes when properly installed
 - Center drain
 - Textured bottom
 - 1 1/8 inch skirt and 1/2 inch high threshold
- Complete ANSI compliant package shown in below picture

CODE COMPLIANT SHOWER UNITS



OUTLOOK PLUS SERIES MODEL

No	Model	Dimensions	Pkg	Approx. weight	Std Color(s)	Non-std Color(s)
141271-000-XXX	1-Piece shower base model 141271-000-XXX Center drain Specify: Standard colors: White (002), Bone (004), Biscuit (007) Non-standard colors: Refer to color chart in this book.	36 X 36 X 76 5/8 in. Ext. Dimensions: 38 3/4 X 39 X 78 3/4 in.	75 ft³	162 lb	\$ 1,037	\$ 1,137

BASE MODEL WITH ADA GRAB BAR

No	Model	Dimensions	Pkg	Approx. weight	Std Color(s)	Non-std Color(s)
141272-000-XXX	Base model with ADA grab bar package 141272-R-000-XXX 141272-L-000-XXX R/L hand refers to grab bar positioning. Specify: Standard colors: White (002), Bone (004), Biscuit (007) Non-standard colors: Refer to color chart in this book. Package includes: • Base model • 1 x Horizontal L-shaped 34 3/8" x 18" textured Stainless Steel grab bar (factory installed)	36 X 36 X 76 5/8 in. Ext. Dimensions: 38 3/4 X 39 X 78 3/4 in.	75 ft³	162 lb	\$ 1,315	\$ 1,415

BASE MODEL WITH ANSI GRAB BARS

No	Model	Dimensions	Pkg	Approx. weight	Std Color(s)	Non-std Color(s)
141273-000-XXX	Base model with ANSI grab bars package 141273-R-000-XXX 141273-L-000-XXX R/L hand refers to grab bar positioning. Specify: Standard colors: White (002), Bone (004), Biscuit (007) Non-standard colors: Refer to color chart in this book. Package includes: • Base model • 1 x Horizontal L-shaped 34 3/8" x 18" textured Stainless Steel grab bar (factory installed) • 1 x 18" Vertical straight textured Stainless Steel grab bar (factory installed)	36 X 36 X 76 5/8 in. Ext. Dimensions: 38 3/4 X 39 X 78 3/4 in.	75 ft³	162 lb	\$ 1,510	\$ 1,610

OPS-3636

BASE MODEL WITH MASSACHUSETTS GRAB BARS

No	Model	Dimensions	Pkg	Approx. weight	Std Color(s)	Non-std Color(s)
141378-000-XXX	<p>Base model with Massachusetts grab bars Package (Meets Massachusetts State code requirements) 141378-R-000-XXX 141378-L-000-XXX R/L hand refers to drain and grab bar positioning, seat will be installed on opposite side. Specify: Standard colors: White (002), Bone (004), Biscuit (007) Non-standard colors: Refer to color chart in this book.</p> <p>Package includes : • Base model • 2 x 30" Horizontal straight textured Stainless Steel grab bar</p>	<p>36 X 36 X 76 5/8 in. Ext. Dimensions: 38 3/4 X 39 X 78 3/4 in.</p>	75 ft ³	162 lb	\$ 1,444	\$ 1,544

BASE MODEL WITH ADA GRAB BAR AND SEAT

No	Model	Dimensions	Pkg	Approx. weight	Std Color(s)	Non-std Color(s)
141274-000-XXX	<p>Base model with ADA grab bar & seat package 141274-R-000-XXX 141274-L-000-XXX R/L hand refers to grab bar positioning, seat will be installed on opposite side. Specify: Standard colors: White (002), Bone (004), Biscuit (007) Non-standard colors: Refer to color chart in this book.</p> <p>Package includes : • Base model • 1 x Horizontal L-shaped 34 3/8" x 18" textured Stainless Steel grab bar (factory installed) • L-shaped fold-up Phenolic White seat (factory installed)</p>	<p>36 X 36 X 76 5/8 in. Ext. Dimensions: 38 3/4 X 39 X 78 3/4 in.</p>	75 ft ³	162 lb	\$ 2,081	\$ 2,181

BASE MODEL WITH ANSI GRAB BARS AND SEAT

No	Model	Dimensions	Pkg	Approx. weight	Std Color(s)	Non-std Color(s)
141275-000-XXX	<p>Base model with ANSI grab bars & seat package 141275-L-000-XXX 141275-R-000-XXX R/L hand refers to grab bar positioning, seat will be installed on opposite side. Specify: Standard colors: White (002), Bone (004), Biscuit (007) Non-standard colors: Refer to color chart in this book.</p> <p>Package includes : • Base model • 1 x Horizontal L-shaped 34 3/8" x 18" textured Stainless Steel grab bar (factory installed) • 1 x 18" Vertical straight textured Stainless Steel grab bar (factory installed) • L-shaped fold-up Phenolic White seat (factory installed)</p>	<p>36 X 36 X 76 5/8 in. Ext. Dimensions: 38 3/4 X 39 X 78 3/4 in.</p>	75 ft ³	162 lb	\$ 2,263	\$ 2,363

BASE MODEL WITH MASSACHUSETTS GRAB BARS & SEAT

No	Model	Dimensions	Pkg	Approx. weight	Std Color(s)	Non-std Color(s)
141366-000-XXX	<p>Base model with MASS grab bar & seat package 141366-R-000-XXX 141366-L-000-XXX R/L hand refers to grab bar positioning, seat will be installed on opposite side. Specify: Standard colors: White (002), Bone (004), Biscuit (007) Non-standard colors: Refer to color chart in this book.</p> <p>Package includes : • Base model • 2 x Horizontal Straight 30" textured Stainless Steel grab bar(factory installed) • L-shaped fold-up Phenolic White seat (factory installed)</p>	<p>36 X 36 X 76 5/8 in. Ext. Dimensions: 38 3/4 X 39 X 78 3/4 in.</p>	75 ft ³	162 lb	\$ 2,198	\$ 2,298

OPS-3636 (cont'd)

ADA COMPLIANT MODEL

No	Model	Dimensions	Pkg	Approx. weight	Std Color(s)	Non-std Color(s)
141276-000-XXX	<p>1-piece shower with ADA compliant package 141276-L-000-XXX 141276-R-000-XXX R/L hand refers to grab bar positioning, seat will be installed on opposite side. Specify: Standard colors: White (002), Bone (004), Biscuit (007) Non-standard colors: Refer to color chart in this book.</p> <p>Package includes:</p> <ul style="list-style-type: none"> • Base model • 1 x Horizontal L shaped 34 3/8" x 18" textured Stainless Steel grab bar(factory installed) • L-shaped fold-up Phenolic White seat (factory installed) • Chrome pressure balance mixing valve with hand shower • 24" Chrome slide bar and 60" hose 	<p>36 X 36 X 76 5/8 in. Ext. Dimensions: 38 3/4 X 39 X 78 3/4 in.</p>	75 ft ³	162 lb	\$ 2,811	\$ 2,911

ANSI COMPLIANT MODEL

No	Model	Dimensions	Pkg	Approx. weight	Std Color(s)	Non-std Color(s)
141277-000-XXX	<p>Base model with complete ANSI package 141277-L-000-XXX 141277-R-000-XXX R/L hand refers to grab bar positioning, seat will be installed on opposite side. Specify: Standard colors: White (002), Bone (004), Biscuit (007) Non-standard colors: Refer to color chart in this book.</p> <p>Package includes:</p> <ul style="list-style-type: none"> • Base model • 1 x Horizontal L shaped 34 3/8" x 18" textured Stainless Steel grab bar(factory installed) • 1 x 18" Vertical straight textured Stainless Steel grab • L-shaped fold-up Phenolic White seat (factory installed) • Chrome pressure balance mixing valve with hand shower • 24" Chrome slide bar and 60" hose 	<p>36 X 36 X 76 5/8 in. Ext. Dimensions: 38 3/4 X 39 X 78 3/4 in.</p>	75 ft ³	162 lb	\$ 2,993	\$ 3,093

MASSACHUSETTS COMPLIANT MODEL

No	Model	Dimensions	Pkg	Approx. weight	Std Color(s)	Non-std Color(s)
141278-000-XXX	<p>Base model with complete Massachusetts package 141278-L-000-XXX 141278-R-000-XXX R/L hand refers to grab bar positioning, seat will be installed on opposite side. Specify: Standard colors: White (002), Bone (004), Biscuit (007) Non-standard colors: Refer to color chart in this book.</p> <p>Package Includes:</p> <ul style="list-style-type: none"> • Base model • 2 x 30" Horizontal straight textured Stainless Steel grab bar (factory installed) • Rectangular fold-up Naugahyde White seat (factory installed) • Chrome pressure balance mixing valve and hand shower • 30" Chrome slide bar and 60" hose 	<p>36 X 36 X 76 5/8 in. Ext. Dimensions: 38 3/4 X 39 X 78 3/4 in.</p>	75 ft ³	162 lb	\$ 3,068	\$ 3,168

COMMON OPTIONS

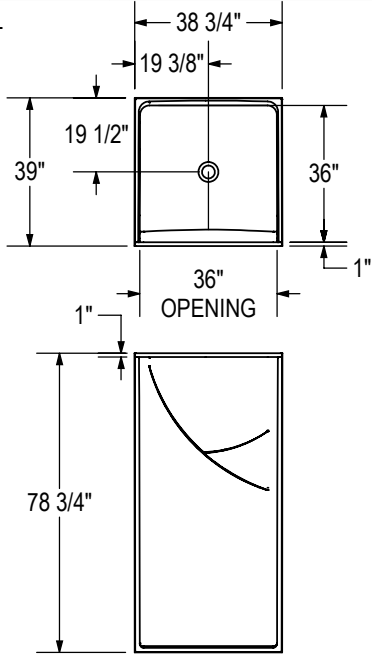
No	Model	Approx. weight	List Price
OPT 10225-084	36" Chrome curtain rod (factory installed)	N/A	Add \$ 60
OPT 20059-084	Recessed soap dish (Drilled, not installed) ² Available color: Chrome (084)	N/A	Add \$ 109

OPS-3636 (cont'd)

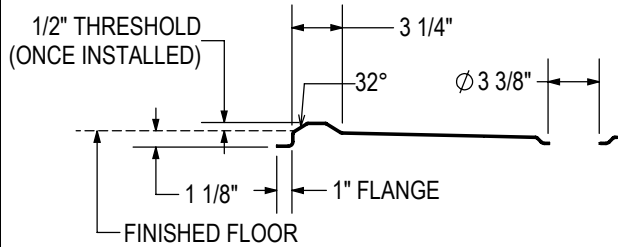
ACCESSORIES

No	Model	Approx. weight	List Price
10000064	Solid Brass drain with Chrome plated Stainless Steel grid (sold separately)	N/A	\$ 39
10020632-002	36" White vinyl shower curtain with Stainless Steel hooks (sold separately)	N/A	\$ 82

BASE MODEL



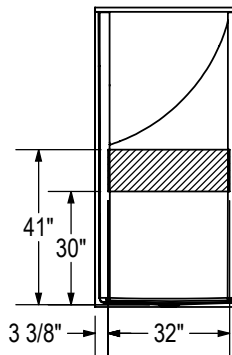
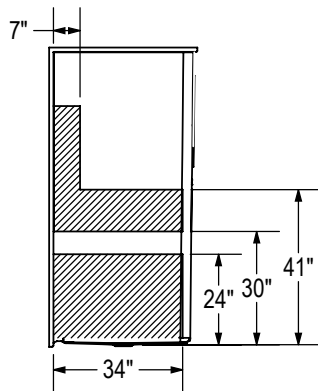
THRESHOLD DETAIL



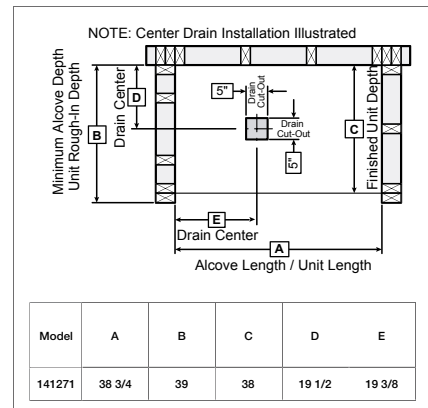
REINFORCEMENT BACKING

RIGHT WALL SHOWN
LEFT WALL SYMMETRICAL

BACK WALL



All dimensions are approximate. Structure measurements must be verified against the unit to ensure proper fit.



List of Accessories

CODE COMPLIANT TUB SHOWER UNIT

No	Description		Approx. weight	List Price
10020633-002	72 in. White vinyl shower curtain with Stainless Steel hooks (sold separately) ⁸	N/A	N/A	Add \$ 120

CODE COMPLIANT SHOWER UNITS

No	Description		Approx. weight	List Price
10000064	Solid Brass drain with Chrome plated Stainless Steel grid (sold separately)	N/A	N/A	Add \$ 39
10020633-002	72 in. White vinyl shower curtain with Stainless Steel hooks (sold separately) ⁸	N/A	N/A	Add \$ 120
10020632-002	36" White vinyl shower curtain with Stainless Steel hooks (sold separately)	N/A	N/A	Add \$ 82

Generation+ Series



OPS-5634G SHOWER



Prepare for **tomorrow's needs with today's styles** by choosing our always accessible, easily adaptable **GENERATION +** Series. Each model accommodates a wide **range of abilities and sensibilities**, intelligently designed to evolve as your needs do.

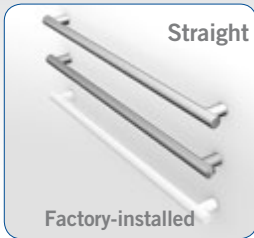
The **GENERATION +** products balance your priority of **comfort and peace of mind** with your desire for a modern look that never feels dated. Reinforced walls offer versatility in grab bar and seat placement - **now or in the future**. AKER's vast selection of grab bars, seats and accessories allow you the ability to customize your experience. In addition, the smooth, clean lines beckon you into a **lifetime of clean living**.



AKER **GENERATION+** products aim to promote autonomy while simplifying the user's day to day life. Each model offers a set of options and accessories for a complete customized experience. Homeowners will appreciate how AKER Outlook *plus* performs beautifully. **Options are factory-installed on the units;** whereas accessories are sold separately and therefore, can be ordered after the product is installed. Consult product pages for the available options and accessories for each of our products.

OPTIONS & ACCESSORIES

Grab Bars



Modern and stylish grab bars, featuring an easy to clean smooth surface. **Straight, Curved** or **Pivot**, available in multiple dimensions, they are ergonomically designed for your safety and comfort. Select the color that suits your style: white, chrome or brushed nickel. They can be factory-installed or purchased separately for future installation.

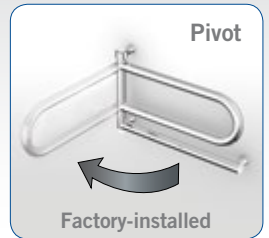
Straight: For horizontal, vertical, side walls or back wall installation.



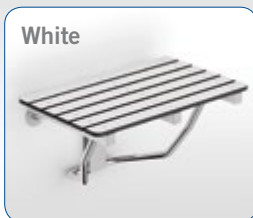
Curved: Evolve with your reality, each of the 3 sections of the bar have a specific purpose.

Pivot: Pivots at a 180° angle and locks in place for multiple stable and secure assistance positions.

¹ Left-hand shown

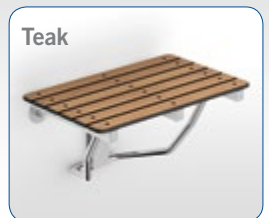


Phenolic Fold-Up Shower Seat



AKER's **GENERATION+** rectangular fold-up shower seat is 26" wide and is made with stainless steel frames and Phenolic seat tops available in white or teak. Phenolic is a high quality material that is smooth and non-porous, easy to clean and does not retain bacteria.

This fold-up seat virtually disappears in the shower when you don't need it, but is accessible when you do. All seats are designed and tested to withstand **300 lb** load capacity.



Fold Down Seat



Relax and enjoy the soothing benefits of AKER's **GENERATION+** high quality fold down shower seat made of long-lasting Polyurethane. This seat is 19" wide and has rounded, smooth edges with hinges that allow for a safe and easy side transfer while eliminating discomfort for pressure sensitive bathers.

This minimalist seat comes in white only while fixtures are available in 3 finishes (white, chrome and brushed nickel). AKER shower seats have been designed and tested to support loads up to **300 lb**.

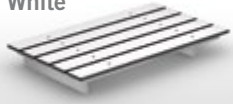




OPTIONS & ACCESSORIES (cont'd)

Phenolic Removable Tub Shower Seat

White



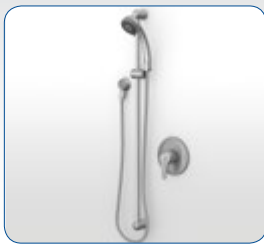
AKER's **GENERATION +** rectangular removable seat is 29" wide and is made with stainless steel frames and Phenolic seat tops available in white or teak. Phenolic is a high quality material that is smooth and non-porous, easy to clean and does not retain bacteria.

Teak



The seat can be placed on the tub for safe and secure transfers or completely removed when not required to optimize space. All seats are designed and tested to withstand **300 lb** load capacity when properly installed.

Faucet Kit



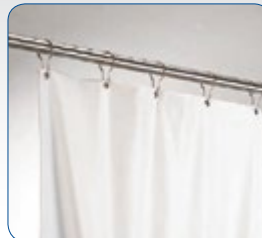
Optimize your shower experience with the Outlook *plus* faucet kit. The kit includes a pressure balance mixing valve, a hand-held shower, a 24" slide bar and a 60" flexible hose. Available in chrome & brushed nickel finishes.

Curtain Rod



Chrome or stainless steel curtain rod factory installed. White vinyl shower curtain sold separately.

Shower Curtain



White anti-bacterial vinyl curtain with stainless steel hooks.

Soap Dish



Functional recessed chrome or white soap dish for optimal showering experience.

Shower Drain



Functional solid brass shower drain with chrome stainless steel grid. Quick caulk-seal feature.

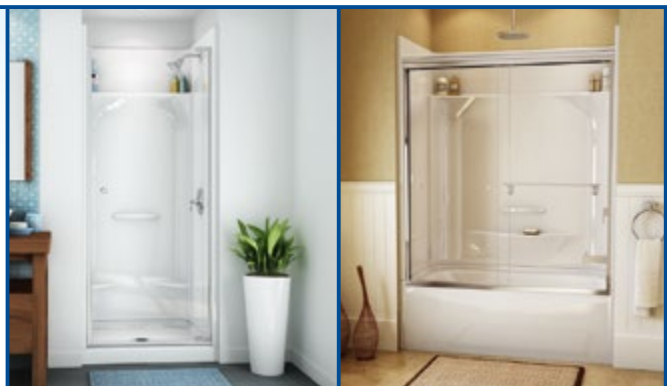
MAAX® SHOWER DOORS

Enjoy the experience

MAAX offers a **wide selection of custom-fit shower door styles** that work seamlessly with **GENERATION+** tub shower and shower units.

Consult MAAX website for more information.

www.maax.com



Reference Guide: Generation+ Series

GENERATION + TUB SHOWER

OPTS-6032G	p. 258
	57 x 30 x 74
ALCOVE	

GELCOAT SHOWERS BASES

OPS-6034G	p. 261
	59 x 34 x 73
ALCOVE	

OPS-5634G	p. 264
	56 x 34 x 73
ALCOVE	

OPS-4836G	p. 267
	48 x 36 x 76
ALCOVE	

OPS-3636G	p. 270
	36 x 36 x 72
ALCOVE	

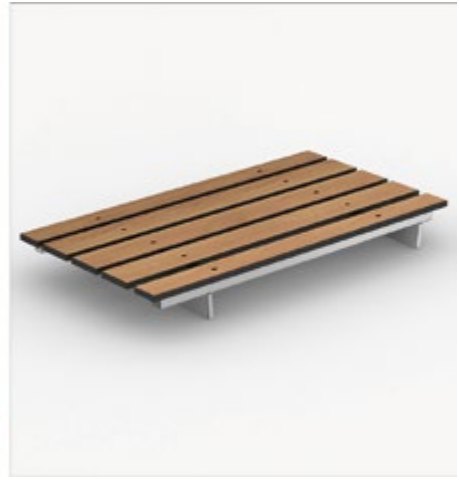
OPTS-6032G

56 1/2" x 30 3/8" x 74" - Gelcoat

Water Capacity: Max: 39.6 gal.

- Two-piece tub shower reinforced for customized placement of grab bars and seat
- Optional grab bars, seat & soap dish
- Curtain rod, shower curtain & faucet kit also available
- Right/Left-end drain
- Textured bottom
- Above-the-Floor Rough

GENERATION + TUB SHOWER UNITS



OUTLOOK PLUS SERIES MODEL

No	Model	Dimensions	Pkg	Approx. weight	Std Color(s)	Non-std Color(s)
141302-000-XXX	Two-piece tub shower base model 141302-R-000-XXX Right-hand drain 141302-L-000-XXX Left-hand drain R/L hand refers to drain positioning. Specify: Standard colors: White (002), Bone (004), Biscuit (007) Non-standard colors: Refer to color chart in this book.	56 1/2 X 30 3/8 X 74 in. Ext. Dimensions: 59 3/4 X 33 X 78 1/2 in.	89.2 ft ³	186 lb	\$ 1,269	\$ 1,469

GENERATION + OPTIONS

No	Model	Approx. weight	List Price
OPT 20203-V-XXX	18 in. Modern straight grab bar (factory installed) ⁶ OPT 20203-VR-XXX Vertical grab bar on right wall OPT 20203-VL-XXX Vertical grab bar on left wall Available colors: White (002), Chrome (084) and Brushed Nickel (105)	N/A	Add \$ 162
OPT 20203-H-XXX	18 in. Modern straight grab bar (factory installed) ⁶ OPT 20203-HR-XXX Horizontal grab bar on right wall OPT 20203-HL-XXX Horizontal grab bar on left wall Available colors: White (002), Chrome (084) and Brushed Nickel (105)	N/A	Add \$ 162
OPT 20204-V-XXX	24 in. Modern straight grab bar (factory installed) ⁶ OPT 20204-VR-XXX Vertical grab bar on right wall OPT 20204-VL-XXX Vertical grab bar on left wall Available colors: White (002), Chrome (084) and Brushed Nickel (105)	N/A	Add \$ 174
OPT 20204-H-XXX	24 in. Modern straight grab bar (factory installed) ⁶ OPT 20204-HR-XXX Horizontal grab bar on right wall OPT 20204-HL-XXX Horizontal grab bar on left wall Available colors: White (002), Chrome (084) and Brushed Nickel (105)	N/A	Add \$ 174
OPT 20219-XXX	Pivot grab bar (back wall) ^{6,8} OPT 20219-R-XXX Right-hand pivot grab bar on back wall OPT 20219-L-XXX Left-hand pivot grab bar on back wall Available colors: White (002), Chrome (084) and Brushed Nickel (105)	N/A	Add \$ 1,119

OPTS-6032G (cont'd)

COMMON OPTIONS

No	Model	Approx. weight	List Price
OPT 20213-XXX	36 in. Modern straight grab bar (factory installed) OPT 20213-HB-XXX Back wall (horizontal) Available colors: White (002), Chrome (084), Brushed Nickel (105)	N/A lb	Add \$ 204
OPT 20214-XXX	42 in. modern straight grab bar (factory installed) OPT 20214-HB-XXX Back wall (horizontal) Available colors: White (002), Chrome (084), Brushed Nickel (105)	N/A	Add \$ 204
OPT 20239-XXX	37 in. Modern Curved grab bar (factory installed) ⁷ OPT 20239-BR-XXX Right-end (back wall) OPT 20239-BL-XXX Left-end (back wall) Specify color: White (002), Chrome (084), Brushed Nickel (105)	N/A	Add \$ 319
OPT 20236-XXX	Pressure balance mixing valve, hand held shower, 24" slide bar and 60" hose (factory installed on shelf side) Valve and hand shower are located on drain wall. Specify color: Chrome (084), Brushed Nickel (105)	N/A	Add \$ 733
OPT 20258-XXX	56" Curtain rod (factory installed) Available colors: Chrome (084) or Stainless Steel (106)	N/A	Add \$ 77
OPT 20051-XXX	Rectangular Phenolic seat ^{1, 4, 5} Available colors: White (002) and Teak (185)	N/A	Add \$ 563
OPT 20059-XXX	Recessed soap dish (Drilled, not installed) ² Available colors: White (001) and Chrome (084)	N/A	Add \$ 109

ACCESSORIES

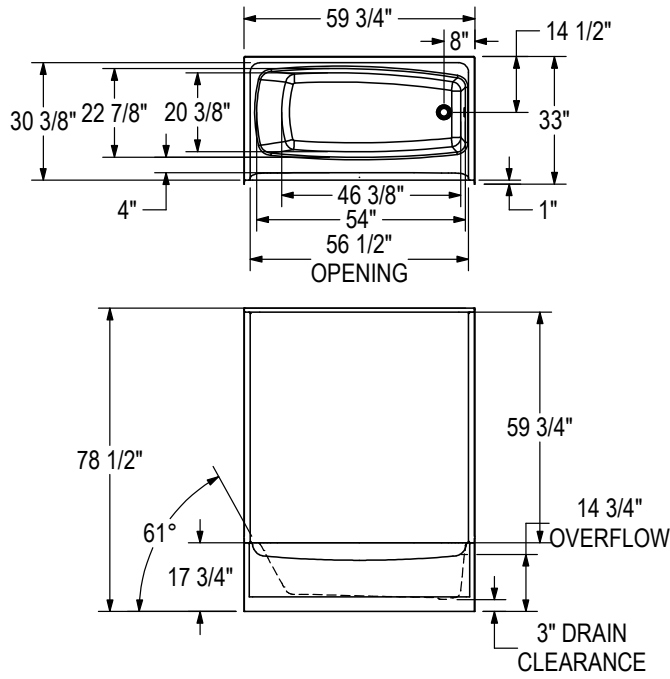
No	Model	Approx. weight	List Price
10020633-002	72 in. White vinyl shower curtain with Stainless Steel hooks (sold separately) ⁸	N/A	\$ 120
10029996-XXX	18 in. modern straight grab bar with flange (front installation) Specify color: White (002), Chrome (084), Brushed Nickel (105)	N/A	\$ 163
10029997-XXX	24 in. modern straight grab bar with flange (front installation) Specify color: White (002), Chrome (084), Brushed Nickel (105)	N/A	\$ 174
10029999-XXX	36" modern straight grab bar with flange (front installation) Specify color: White (002), Chrome (084), Brushed Nickel (105)	N/A	\$ 204
10030084-XXX	42" modern straight grab bar with flange (front installation) Specify color: White (002), Chrome (084), Brushed Nickel (105)	N/A	\$ 217
10030100-XXX	37" modern curved left-hand grab bar with flange (front installation) Specify color: White (002), Chrome (084), Brushed Nickel (105)	N/A	\$ 330
10030101-XXX	37" modern curved right-hand grab bar with flange (front installation) Specify color: White (002), Chrome (084), Brushed Nickel (105)	N/A	\$ 330

DOORS RECOMMENDED WITH OPTS-6032G-2P

No	Description	Page
105410	Polar 2-panel 54-59 1/2 x 57 3/8 in.	p. 286
105409	Mika 2-panel 54 - 59 1/2 x 55 in.	p. 285
138997	Halo sliding door 56 1/2-59 x 78 3/4 in. 8 mm	p. 279
134661	Kameleon SC semi-frameless sliding door 55-59 x 57 in. 6 mm	p. 280
137500	Edge Tub 30 x 55 1/2 in., 6 mm	p. 278
137501	Edge Square Tub 34 x 58 in., 8 mm	p. 278
137502	Edge Duo Tub 42 x 58 in., 8 mm	p. 278

OPTS-6032G (cont'd)

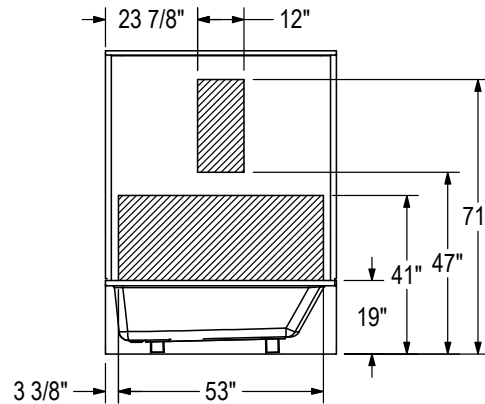
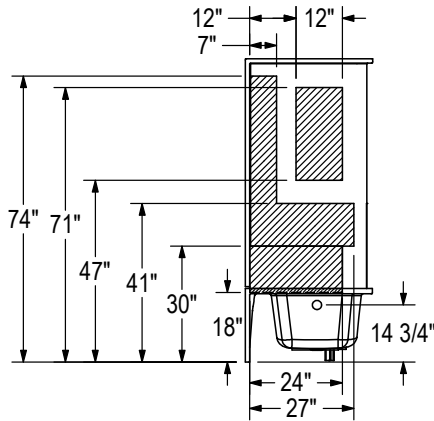
STANDARD MODEL
RIGHT DRAIN SHOWN
LEFT DRAIN SYMMETRICAL



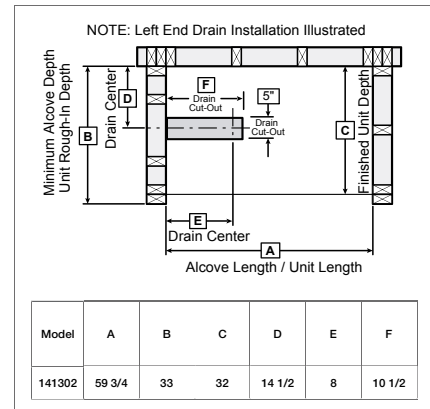
REINFORCEMENT BACKING
RIGHT DRAIN SHOWN
LEFT DRAIN SYMMETRICAL

RIGHT WALL SHOWN
LEFT WALL SYMMETRICAL

BACK WALL



All dimensions are approximate. Structure measurements must be verified against the unit to ensure proper fit.



OPS-6034G

59" x 34" x 72 1/2" - Gelcoat

- One-piece shower reinforced for customized placement of grab bars and seat
- Optional grab bars, seat & soap dish
- Curtain rod, shower curtain, faucet kit and drain also available
- Center drain
- Textured bottom



GENERATION + SHOWER UNIT

OUTLOOK PLUS SERIES MODEL

No	Model	Dimensions	Pkg	Approx. weight	Std Color(s)	Non-std Color(s)
141301-000-XXX	One-piece shower base model 141301-000-XXX Center drain Specify: Standard colors: White (002), Bone (004), Biscuit (007) Non-standard colors: Refer to color chart in this book.	59 X 34 X 72 1/2 in. Ext. Dimensions: 63 X 37 X 75 1/2 in.	101.8 ft ³	200 lb	\$ 1,127	\$ 1,227

GENERATION + OPTIONS

No	Model	Approx. weight	List Price
OPT 20203-V-XXX	18 in. Modern straight grab bar (factory installed) ⁶ OPT 20203-VR-XXX Vertical grab bar on right wall OPT 20203-VL-XXX Vertical grab bar on left wall Available colors: White (002), Chrome (084) and Brushed Nickel (105)	N/A	Add \$ 162
OPT 20204-V-XXX	24 in. Modern straight grab bar (factory installed) ⁶ OPT 20204-VR-XXX Vertical grab bar on right wall OPT 20204-VL-XXX Vertical grab bar on left wall Available colors: White (002), Chrome (084) and Brushed Nickel (105)	N/A	Add \$ 174
OPT 20204-H-XXX	24 in. Modern straight grab bar (factory installed) ⁶ OPT 20204-HR-XXX Horizontal grab bar on right wall OPT 20204-HL-XXX Horizontal grab bar on left wall Available colors: White (002), Chrome (084) and Brushed Nickel (105)	N/A	Add \$ 174
OPT 20219-084	Pivot grab bar (factory installed) ^{6,8} OPT 20219-BR-084 Right-hand pivot grab bar on back wall OPT 20219-BL-084 Left-hand pivot grab bar on back wall Available color: Chrome (084)	N/A	Add \$ 1,119
OPT 20221-XXX	Fold-down seat (factory installed) ^{10,11,16} OPT 20221-R-XXX Right side wall OPT 20221-L-XXX Left side wall Specify trimming color: White (002), Chrome (084), Brushed Nickel (105)	N/A	Add \$ 460

OPS-6034G (cont'd)

COMMON OPTIONS

No	Model	Approx. weight	List Price
OPT 20213-XXX	36 in. Modern straight grab bar (factory installed) OPT 20213-HB-XXX Back wall (horizontal) Available colors: White (002), Chrome (084), Brushed Nickel (105)	N/A lb	Add \$ 204
OPT 20238-XXX	48 in. Modern straight grab bar (factory installed) OPT 20238-HB-XXX Back Wall (horizontal) Specify color: White (002), Chrome (084), Brushed Nickel (105)	N/A lb	Add \$ 217
OPT 20239-XXX	37 in. Modern Curved grab bar (factory installed) ⁷ OPT 20239-BR-XXX Right-end (back wall) OPT 20239-BL-XXX Left-end (back wall) Specify color: White (002), Chrome (084), Brushed Nickel (105)	N/A	Add \$ 319
OPT 20043-R/L-XXX	Rectangular 26 in. fold-up Phenolic seat with Stainless Steel frame (factory installed) ^{2, 4, 5, 12} OPT 20043-R-XXX Right side wall OPT 20043-L-XXX Left side wall Available colors: White (002) and Teak (185)	N/A	Add \$ 706
OPT 20236-XXX	Pressure balance mixing valve, hand held shower, 24" slide bar and 60" hose. OPT 20236-R-000-XXX Right side wall OPT 20236-L-000-XXX Left side wall Specify color: Chrome (084), Brushed Nickel (105)	N/A	Add \$ 733
OPT 20059-XXX	Recessed soap dish (Drilled, not installed) ² Available colors: White (001) and Chrome (084)	N/A	Add \$ 109
OPT 20259-XXX	60" curtain rod (factory installed) Available colors: Chrome (084) and Stainless Steel (106)	N/A	Add \$ 82

ACCESSORIES

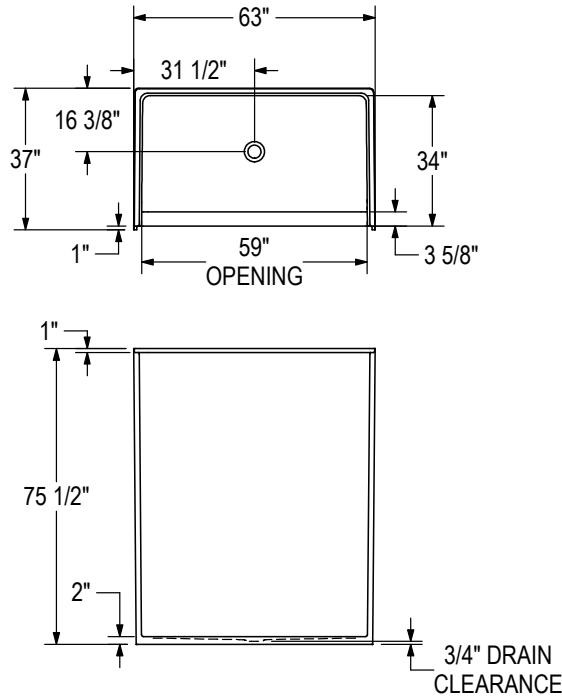
No	Model	Approx. weight	List Price
10000064	Solid Brass drain with Chrome plated Stainless Steel grid (sold separately)	N/A	\$ 39
10020633-002	72 in. White vinyl shower curtain with Stainless Steel hooks (sold separately) ⁸	N/A	\$ 120
10029996-XXX	18 in. modern straight grab bar with flange (front installation) Specify color: White (002), Chrome (084), Brushed Nickel (105)	N/A	\$ 163
10029997-XXX	24 in. modern straight grab bar with flange (front installation) Specify color: White (002), Chrome (084), Brushed Nickel (105)	N/A	\$ 174
10029999-XXX	36" modern straight grab bar with flange (front installation) Specify color: White (002), Chrome (084), Brushed Nickel (105)	N/A	\$ 204
10030086-XXX	48" modern straight grab bar with flange (front installation) Specify color: White (002), Chrome (084), Brushed Nickel (105)	N/A	\$ 228
10030100-XXX	37" modern curved left-hand grab bar with flange (front installation) Specify color: White (002), Chrome (084), Brushed Nickel (105)	N/A	\$ 330
10030101-XXX	37" modern curved right-hand grab bar with flange (front installation) Specify color: White (002), Chrome (084), Brushed Nickel (105)	N/A	\$ 330

DOORS RECOMMENDED WITH OPS-6034G

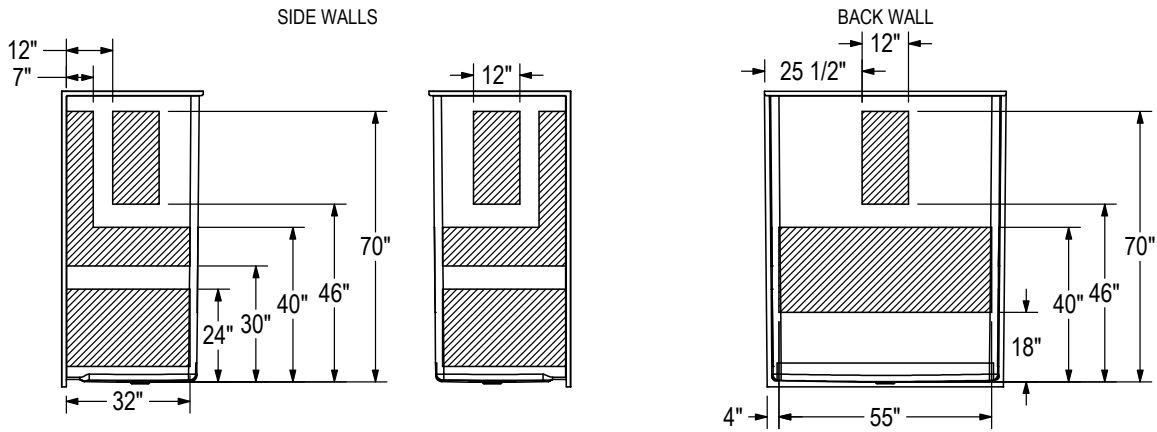
No	Description	Page
136458	Kleara 2-panel 57 1/2-60 1/2 x 69 in. 6 mm	p. 283
136672	Reveal 71 pivot door 56-59 x 71 1/2 in. 8 mm	p. 282

OPS-6034G (cont'd)

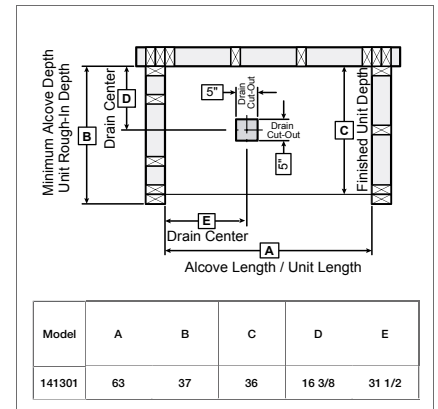
STANDARD MODEL



REINFORCEMENT BACKING



All dimensions are approximate. Structure measurements must be verified against the unit to ensure proper fit.



OPS-5634G

56" x 34" x 72 1/2" - Gelcoat

- One-piece shower reinforced for customized placement of grab bars and seat
- Optional grab bars, seat & soap dish
- Curtain rod, shower curtain, faucet kit and drain also available
- Center drain
- Textured bottom

GENERATION + SHOWER UNIT



OUTLOOK PLUS SERIES MODEL

No	Model	Dimensions	Pkg	Approx. weight	Std Color(s)	Non-std Color(s)
141286-000-XXX	One-piece shower base model 141286-000-XXX Center drain Specify: Standard colors: White (002), Bone (004), Biscuit (007) Non-standard colors: Refer to color chart in this book.	56 X 34 X 72 1/2 in. Ext. Dimensions: 59 3/4 X 37 X 75 1/2 in.	96.6 ft ³	194 lb	\$ 1,070	\$ 1,170

GENERATION + OPTIONS

No	Model	Approx. weight	List Price
OPT 20203-V-XXX	18 in. Modern straight grab bar (factory installed) ⁶ OPT 20203-VR-XXX Vertical grab bar on right wall OPT 20203-VL-XXX Vertical grab bar on left wall Available colors: White (002), Chrome (084) and Brushed Nickel (105)	N/A	Add \$ 162
OPT 20203-H-XXX	18 in. Modern straight grab bar (factory installed) ⁶ OPT 20203-HR-XXX Horizontal grab bar on right wall OPT 20203-HL-XXX Horizontal grab bar on left wall Available colors: White (002), Chrome (084) and Brushed Nickel (105)	N/A	Add \$ 162
OPT 20204-V-XXX	24 in. Modern straight grab bar (factory installed) ⁶ OPT 20204-VR-XXX Vertical grab bar on right wall OPT 20204-VL-XXX Vertical grab bar on left wall Available colors: White (002), Chrome (084) and Brushed Nickel (105)	N/A	Add \$ 174
OPT 20204-B-XXX	24 in. Modern straight grab bar (factory installed) ⁶ OPT 20204-HB-XXX Vertical grab bar on back wall Available colors: White (002), Chrome (084) and Brushed Nickel (105)	N/A	Add \$ 174
OPT 20216-B-XXX	30 in. Modern straight grab bar ⁶ OPT 20216-HB-XXX Horizontal grab bar on back wall Available colors: White (002), Chrome (084) and Brushed Nickel (105)	N/A	Add \$ 182
OPT 20217-XXX	32 in. Curved grab bar (back wall) ^{6,7} OPT 20217-BR-XXX Right-hand curved grab bar on back wall OPT 20217-BL-XXX Left-hand curved grab bar on back wall Available colors: White (002), Chrome (084) and Brushed Nickel (105)	N/A	Add \$ 296
OPT 20219-084	Pivot grab bar (factory installed) ^{6,8} OPT 20219-BR-084 Right-hand pivot grab bar on back wall OPT 20219-BL-084 Left-hand pivot grab bar on back wall Available color: Chrome (084)	N/A	Add \$ 1,119
OPT 20221-XXX	Fold-down seat (factory installed) ^{10,11,16} OPT 20221-R-XXX Right side wall OPT 20221-L-XXX Left side wall Specify trimming color: White (002), Chrome (084), Brushed Nickel (105)	N/A	Add \$ 460

OPS-5634G (cont'd)

COMMON OPTIONS

No	Model	Approx. weight	List Price
OPT 20043-R/L-XXX	Rectangular 26 in. fold-up Phenolic seat with Stainless Steel frame (factory installed) ^{2, 4, 5, 12} OPT 20043-R-XXX Right side wall OPT 20043-L-XXX Left side wall Available colors: White (002) and Teak (185)	N/A	Add \$ 706
OPT 20236-XXX	Pressure balance mixing valve, hand held shower, 24" slide bar and 60" hose. OPT 20236-R-000-XXX Right side wall OPT 20236-L-000-XXX Left side wall Specify color: Chrome (084), Brushed Nickel (105)	N/A	Add \$ 733
OPT 20059-XXX	Recessed soap dish (Drilled, not installed) ² Available colors: White (001) and Chrome (084)	N/A	Add \$ 109
OPT 20258-XXX	56" Curtain rod (factory installed) Available colors: Chrome (084) or Stainless Steel (106)	N/A	Add \$ 77

ACCESSORIES

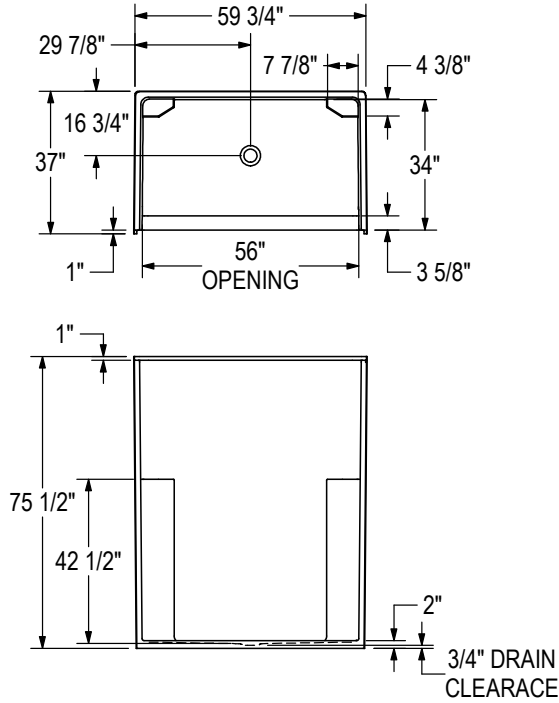
No	Model	Approx. weight	List Price
10000064	Solid Brass drain with Chrome plated Stainless Steel grid (sold separately)	N/A	\$ 39
10020633-002	72 in. White vinyl shower curtain with Stainless Steel hooks (sold separately) ⁸	N/A	\$ 120
10029996-XXX	18 in. modern straight grab bar with flange (front installation) Specify color: White (002), Chrome (084), Brushed Nickel (105)	N/A	\$ 163
10029997-XXX	24 in. modern straight grab bar with flange (front installation) Specify color: White (002), Chrome (084), Brushed Nickel (105)	N/A	\$ 174
10029998-XXX	30 in. modern straight grab bar with flange (front installation) Specify color: White (002), Chrome (084), Brushed Nickel (105)	N/A	\$ 185
10030095-XXX	32 in. curved left-hand grab bar with flange (front installation) Specify color: White (002), Chrome (084), Brushed Nickel (105)	N/A	\$ 293
10030097-XXX	32 in. curved right-hand grab bar with flange (front installation) Specify color: White (002), Chrome (084), Brushed Nickel (105)	N/A	\$ 293

DOORS RECOMMENDED WITH OPS-5634G

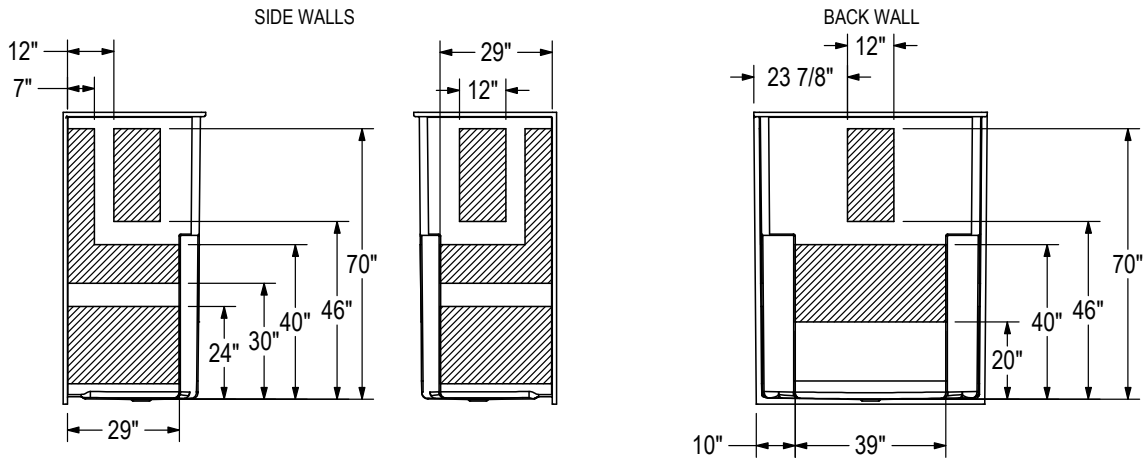
No	Description	Page
134665	Kameleon SC semi-frameless sliding door 55-59 x 71 in. 6 mm	p. 280
136457	Kleara 2-panel 54 1/2-57 1/2 x 69 in. 6 mm	p. 283
105410	Polar 2-panel 54-59 1/2 x 57 3/8 in.	p. 286
136672	Reveal 71 pivot door 56-59 x 71 1/2 in. 8 mm	p. 282

OPS-5634G (cont'd)

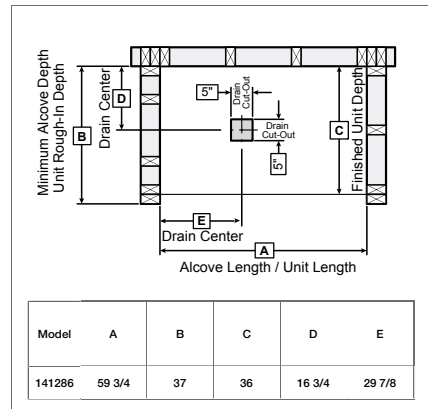
STANDARD MODEL



REINFORCEMENT BACKING



All dimensions are approximate. Structure measurements must be verified against the unit to ensure proper fit.



OPS-4836G

48" x 36" x 76 3/8" - Gelcoat

- One-piece shower reinforced for customized placement of grab bars and seat
- Optional grab bars, seat & soap dish
- Curtain rod, shower curtain, faucet kit and drain also available
- Center drain
- Textured bottom



GENERATION + SHOWER UNIT

OUTLOOK PLUS SERIES MODEL

No	Model	Dimensions	Pkg	Approx. weight	Std Color(s)	Non-std Color(s)
141285-000-XXX	1-Piece shower base model 141285-000-XXX Center drain Specify: Standard colors: White (002), Bone (004), Biscuit (007) Non-standard colors: Refer to color chart in this book.	48 X 36 X 76 3/8 in. Ext. Dimensions: 50 1/2 X 39 X 78 1/2 in.	89.5 ft ³	186 lb	\$ 1,041	\$ 1,141

GENERATION + OPTIONS

No	Model	Approx. weight	List Price
OPT 20203-V-XXX	18 in. Modern straight grab bar (factory installed) ⁶ OPT 20203-VR-XXX Vertical grab bar on right wall OPT 20203-VL-XXX Vertical grab bar on left wall Available colors: White (002), Chrome (084) and Brushed Nickel (105)	N/A	Add \$ 162
OPT 20204-V-XXX	24 in. Modern straight grab bar (factory installed) ⁶ OPT 20204-VR-XXX Vertical grab bar on right wall OPT 20204-VL-XXX Vertical grab bar on left wall Available colors: White (002), Chrome (084) and Brushed Nickel (105)	N/A	Add \$ 174
OPT 20204-H-XXX	24 in. Modern straight grab bar (factory installed) ⁶ OPT 20204-HR-XXX Horizontal grab bar on right wall OPT 20204-HL-XXX Horizontal grab bar on left wall Available colors: White (002), Chrome (084) and Brushed Nickel (105)	N/A	Add \$ 174
OPT 20216-B-XXX	30 in. Modern straight grab bar ⁶ OPT 20216-HB-XXX Horizontal grab bar on back wall Available colors: White (002), Chrome (084) and Brushed Nickel (105)	N/A	Add \$ 182
OPT 20217-XXX	32 in. Curved grab bar (back wall) ^{6,7} OPT 20217-BR-XXX Right-hand curved grab bar on back wall OPT 20217-BL-XXX Left-hand curved grab bar on back wall Available colors: White (002), Chrome (084) and Brushed Nickel (105)	N/A	Add \$ 296
OPT 20219-084	Pivot grab bar (factory installed) ^{6,8} OPT 20219-BR-084 Right-hand pivot grab bar on back wall OPT 20219-BL-084 Left-hand pivot grab bar on back wall Available color: Chrome (084)	N/A	Add \$ 1,119
OPT 20221-XXX	Fold-down seat (factory installed) ^{10,11,16} OPT 20221-R-XXX Right side wall OPT 20221-L-XXX Left side wall Specify trimming color: White (002), Chrome (084), Brushed Nickel (105)	N/A	Add \$ 460

OPS-4836G (cont'd)

COMMON OPTIONS

No	Model	Approx. weight	List Price
OPT 20213-XXX	36 in. Modern straight grab bar (factory installed) OPT 20213-HB-XXX Back wall (horizontal) Available colors: White (002), Chrome (084), Brushed Nickel (105)	N/A lb	Add \$ 204
OPT 20043-R/L-XXX	Rectangular 26 in. fold-up Phenolic seat with Stainless Steel frame (factory installed) ^{2, 4, 5, 12} OPT 20043-R-XXX Right side wall OPT 20043-L-XXX Left side wall Available colors: White (002) and Teak (185)	N/A	Add \$ 706
OPT 20257-XXX	48" Curtain rod (factory installed) Specify color: Chrome (084), Stainless Steel (106)	N/A	Add \$ 79
OPT 20236-XXX	Pressure balance mixing valve, hand held shower, 24" slide bar and 60" hose. OPT 20236-R-000-XXX Right side wall OPT 20236-L-000-XXX Left side wall Specify color: Chrome (084), Brushed Nickel (105)	N/A	Add \$ 733
OPT 20059-XXX	Recessed soap dish (Drilled, not installed) ² Available colors: White (001) and Chrome (084)	N/A	Add \$ 109

ACCESSORIES

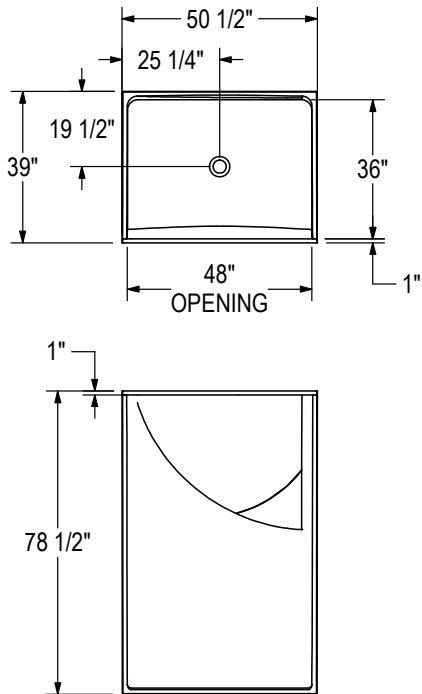
No	Model	Approx. weight	List Price
10029996-XXX	18 in. modern straight grab bar with flange (front installation) Specify color: White (002), Chrome (084), Brushed Nickel (105)	N/A	\$ 163
10029997-XXX	24 in. modern straight grab bar with flange (front installation) Specify color: White (002), Chrome (084), Brushed Nickel (105)	N/A	\$ 174
10029998-XXX	30 in. modern straight grab bar with flange (front installation) Specify color: White (002), Chrome (084), Brushed Nickel (105)	N/A	\$ 185
10029999-XXX	36" modern straight grab bar with flange (front installation) Specify color: White (002), Chrome (084), Brushed Nickel (105)	N/A	\$ 204
10030095-XXX	32 in. curved left-hand grab bar with flange (front installation) Specify color: White (002), Chrome (084), Brushed Nickel (105)	N/A	\$ 293
10030097-XXX	32 in. curved right-hand grab bar with flange (front installation) Specify color: White (002), Chrome (084), Brushed Nickel (105)	N/A	\$ 293
10000064	Solid Brass drain with Chrome plated Stainless Steel grid (sold separately)	N/A	\$ 39
10007608-002	48 in. White vinyl shower curtain with Stainless Steel Hooks (sold separately)	N/A	\$ 92

DOORS RECOMMENDED WITH OPS-4836G

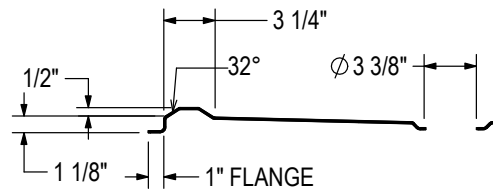
No	Description	Page
134663	Kameleon SC semi-frameless sliding door 43-47 x 71 in. 6 mm	p. 280
136454	Kleara 2-panel 45 1/2-48 1/2 x 69 in. 6 mm	p. 283

OPS-4836G (cont'd)

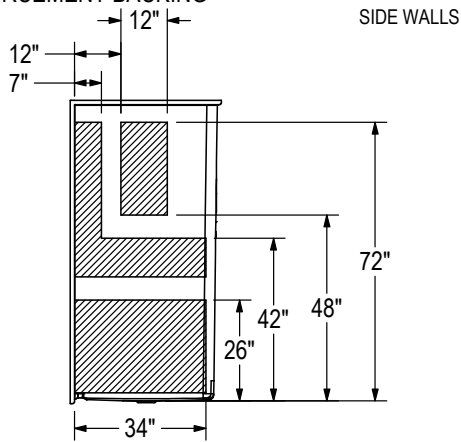
STANDARD MODEL



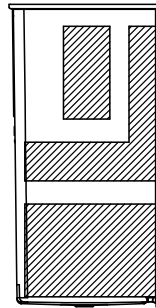
THRESHOLD DETAIL



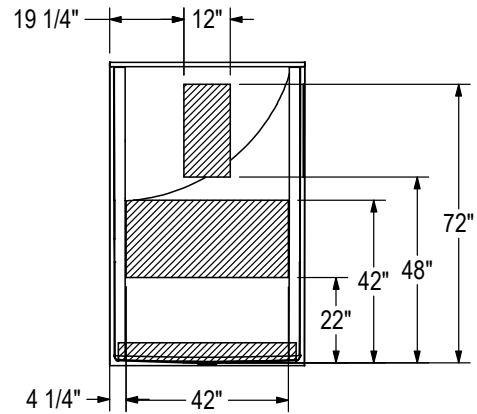
REINFORCEMENT BACKING



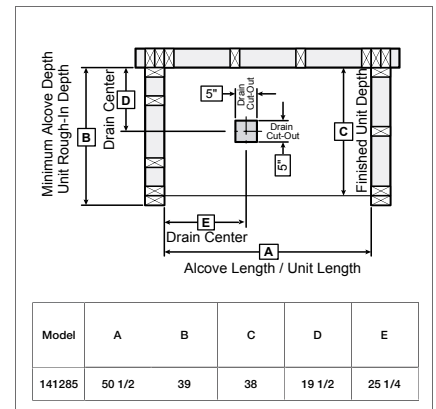
SIDE WALLS



BACK WALL



All dimensions are approximate. Structure measurements must be verified against the unit to ensure proper fit.



OPS-3636G

36" x 36" x 72 1/4" - Gelcoat

- One-piece shower reinforced for customized placement of grab bars and seat
- Optional grab bars, soap dish & seat (installed opposite integrated shelf)
- Curtain rod, shower curtain, faucet kit and drain also available
- Center drain
- Integrated shelf
- Textured bottom

GENERATION + SHOWER UNIT



OUTLOOK PLUS SERIES MODEL

No	Model	Dimensions	Pkg	Approx. weight	Std Color(s)	Non-std Color(s)
141284-000-XXX	One-piece shower base model 141284-R-000-XXX Right Shelf position, Center drain 141284-L-000-XXX Left Shelf position, Center drain Specify: Standard colors: White (002), Bone (004), Biscuit (007) Non-standard colors: Refer to color chart in this book.	36 X 36 X 72 1/4 in. Ext. Dimensions: 38 1/2 X 38 3/4 X 75 1/4 in.	64.5 ft ³	162 lb	\$ 1,012	\$ 1,112

GENERATION + OPTIONS

No	Model	Approx. weight	List Price
OPT 20203-V-XXX	18 in. Modern straight grab bar (factory installed) ⁶ OPT 20203-VR-XXX Vertical grab bar on right wall OPT 20203-VL-XXX Vertical grab bar on left wall Available colors: White (002), Chrome (084) and Brushed Nickel (105)	N/A	Add \$ 162
OPT 20204-V-XXX	24 in. Modern straight grab bar (factory installed) ⁶ OPT 20204-VR-XXX Vertical grab bar on right wall OPT 20204-VL-XXX Vertical grab bar on left wall Available colors: White (002), Chrome (084) and Brushed Nickel (105)	N/A	Add \$ 174
OPT 20204-H-XXX	24 in. Modern straight grab bar (factory installed) ⁶ OPT 20204-HR-XXX Horizontal grab bar on right wall OPT 20204-HL-XXX Horizontal grab bar on left wall Available colors: White (002), Chrome (084) and Brushed Nickel (105)	N/A	Add \$ 174
OPT 20204-B-XXX	24 in. Modern straight grab bar (factory installed) ⁶ OPT 20204-HB-XXX Vertical grab bar on back wall Available colors: White (002), Chrome (084) and Brushed Nickel (105)	N/A	Add \$ 174
OPT 20218-XXX	23 in. Curved grab bar (back wall) ^{6, 7} OPT 20218-BR-XXX Right-hand curved grab bar on back wall OPT 20218-BL-XXX Left-hand curved grab bar on back wall Available colors: White (002), Chrome (084) and Brushed Nickel (105)	N/A	Add \$ 273
OPT 20221-XXX	Fold-down seat (factory installed) ^{10, 11, 16} OPT 20221-R-XXX Right side wall OPT 20221-L-XXX Left side wall Specify trimming color: White (002), Chrome (084), Brushed Nickel (105)	N/A	Add \$ 460

OPS-3636G (cont'd)

COMMON OPTIONS

No	Model	Approx. weight	List Price
OPT 20043-R/L-XXX	Rectangular 26 in. fold-up Phenolic seat with Stainless Steel frame (factory installed) ^{2, 4, 5, 12} OPT 20043-R-XXX Right side wall OPT 20043-L-XXX Left side wall Available colors: White (002) and Teak (185)	N/A	Add \$ 706
OPT 20256-XXX	36" Curtain rod (factory installed) Specify color: Chrome (084), Stainless Steel (106)	N/A	Add \$ 60
OPT 20236-XXX	Pressure balance mixing valve, hand held shower, 24" slide bar and 60" hose (factory installed on shelf side) Valve and hand shower are located on drain wall. Specify color: Chrome (084), Brushed Nickel (105)	N/A	Add \$ 733
OPT 20059-XXX	Recessed soap dish (Drilled, not installed) ² Available colors: White (001) and Chrome (084)	N/A	Add \$ 109

ACCESSORIES

No	Model	Approx. weight	List Price
10029996-XXX	18 in. modern straight grab bar with flange (front installation) Specify color: White (002), Chrome (084), Brushed Nickel (105)	N/A	\$ 163
10029997-XXX	24 in. modern straight grab bar with flange (front installation) Specify color: White (002), Chrome (084), Brushed Nickel (105)	N/A	\$ 174
10030093-XXX	23 in. Curved left-hand grab bar with flange (front installation) Specify color: White (002), Chrome (084), Brushed Nickel (105)	N/A	\$ 271
10030094-XXX	23 in. Curved right-hand grab bar with flange (front installation) Specify color: White (002), Chrome (084), Brushed Nickel (105)	N/A	\$ 271
10000064	Solid Brass drain with Chrome plated Stainless Steel grid (sold separately)	N/A	\$ 39
10020632-002	36" White vinyl shower curtain with Stainless Steel hooks (sold separately)	N/A	\$ 82

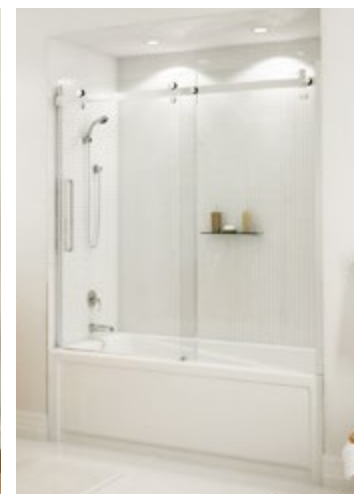
DOORS RECOMMENDED WITH OPS-3636G

No	Description	Page
136435	PivoloK Deluxe 1-panel 32 1/2-37 x 64 1/2 in.	p. 285
105418	Madono 1-panel 34 1/2-36 1/2 x 67 in. 6 mm	p. 283

MAAX® SHOWER DOORS

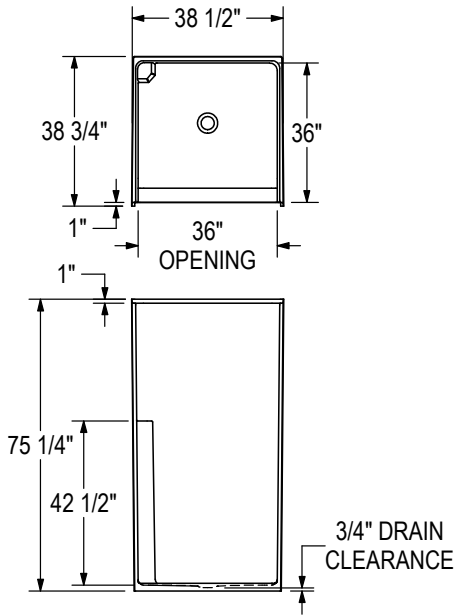
MAAX offers a [wide selection of custom-fit shower door styles](#) that work seamlessly with many AKER bathtubs, tub showers, showers and shower bases. Consult the Recommended MAAX Shower Doors list at the end of each product section for more information.

www.maax.com

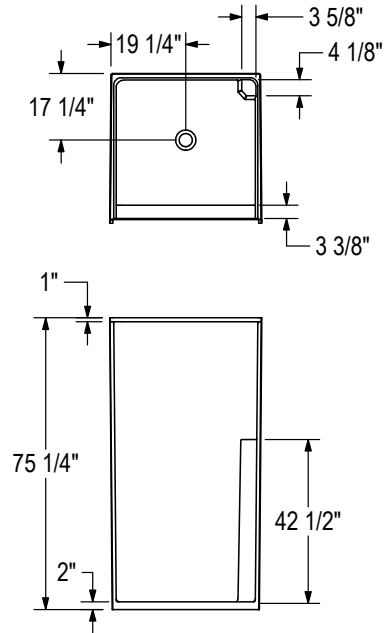


OPS-3636G (cont'd)

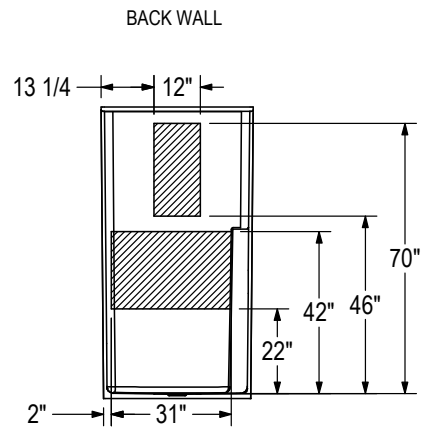
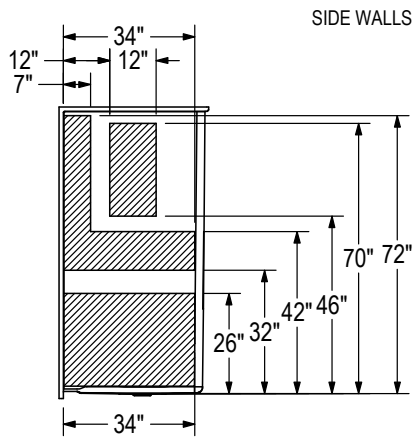
STANDARD LEFT SHELF MODEL



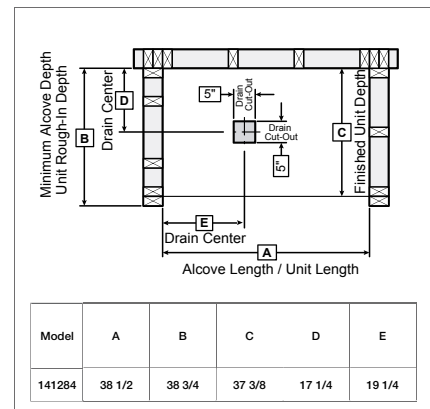
STANDARD RIGHT SHELF MODEL



REINFORCEMENT BACKING
LEFT SHELF MODEL SHOWN
RIGHT SHELF MODEL SYMMETRICAL



All dimensions are approximate. Structure measurements must be verified against the unit to ensure proper fit.




List of Accessories

GENERATION + TUB SHOWER UNITS

No	Description		Approx. weight	List Price
10020633-002	72 in. White vinyl shower curtain with Stainless Steel hooks (sold separately) ⁸	N/A	N/A	Add \$ 120
10029996-XXX	18 in. modern straight grab bar with flange (front installation) Specify color: White (002), Chrome (084), Brushed Nickel (105)	N/A	N/A	Add \$ 163
10029997-XXX	24 in. modern straight grab bar with flange (front installation) Specify color: White (002), Chrome (084), Brushed Nickel (105)	N/A	N/A	Add \$ 174
10029999-XXX	36" modern straight grab bar with flange (front installation) Specify color: White (002), Chrome (084), Brushed Nickel (105)	N/A	N/A	Add \$ 204
10030084-XXX	42" modern straight grab bar with flange (front installation) Specify color: White (002), Chrome (084), Brushed Nickel (105)	N/A	N/A	Add \$ 217
10030100-XXX	37" modern curved left-hand grab bar with flange (front installation) Specify color: White (002), Chrome (084), Brushed Nickel (105)	N/A	N/A	Add \$ 330
10030101-XXX	37" modern curved right-hand grab bar with flange (front installation) Specify color: White (002), Chrome (084), Brushed Nickel (105)	N/A	N/A	Add \$ 330

GENERATION + SHOWER UNITS

No	Description		Approx. weight	List Price
10000064	Solid Brass drain with Chrome plated Stainless Steel grid (sold separately)	N/A	N/A	Add \$ 39
10020633-002	72 in. White vinyl shower curtain with Stainless Steel hooks (sold separately) ⁸	N/A	N/A	Add \$ 120
10029996-XXX	18 in. modern straight grab bar with flange (front installation) Specify color: White (002), Chrome (084), Brushed Nickel (105)	N/A	N/A	Add \$ 163
10029997-XXX	24 in. modern straight grab bar with flange (front installation) Specify color: White (002), Chrome (084), Brushed Nickel (105)	N/A	N/A	Add \$ 174
10029999-XXX	36" modern straight grab bar with flange (front installation) Specify color: White (002), Chrome (084), Brushed Nickel (105)	N/A	N/A	Add \$ 204
10030086-XXX	48" modern straight grab bar with flange (front installation) Specify color: White (002), Chrome (084), Brushed Nickel (105)	N/A	N/A	Add \$ 228
10030100-XXX	37" modern curved left-hand grab bar with flange (front installation) Specify color: White (002), Chrome (084), Brushed Nickel (105)	N/A	N/A	Add \$ 330
10030101-XXX	37" modern curved right-hand grab bar with flange (front installation) Specify color: White (002), Chrome (084), Brushed Nickel (105)	N/A	N/A	Add \$ 330
10029998-XXX	30 in. modern straight grab bar with flange (front installation) Specify color: White (002), Chrome (084), Brushed Nickel (105)	N/A	N/A	Add \$ 185
10030095-XXX	32 in. curved left-hand grab bar with flange (front installation) Specify color: White (002), Chrome (084), Brushed Nickel (105)	N/A	N/A	Add \$ 293
10030097-XXX	32 in. curved right-hand grab bar with flange (front installation) Specify color: White (002), Chrome (084), Brushed Nickel (105)	N/A	N/A	Add \$ 293
10007608-002	48 in. White vinyl shower curtain with Stainless Steel Hooks (sold separately)	N/A	N/A	Add \$ 92
10030093-XXX	23 in. Curved left-hand grab bar with flange (front installation) Specify color: White (002), Chrome (084), Brushed Nickel (105)	N/A	N/A	Add \$ 271
10030094-XXX	23 in. Curved right-hand grab bar with flange (front installation) Specify color: White (002), Chrome (084), Brushed Nickel (105)	N/A	N/A	Add \$ 271
10020632-002	36" White vinyl shower curtain with Stainless Steel hooks (sold separately)	N/A	N/A	Add \$ 82



Shower Doors



Reveal shower door with KDS-3460 4-piece shower

U.S.A. - EFFECTIVE DATE 08/01/17



INFORMATION TO HELP YOU ON YOUR WAY

The below information is there to help you familiarize yourself with the various icons associated to the products presented in the following pages. Choose from an extensive selection of glass patterns and frame finishes that compliment the unique features of our sliding and pivot doors.



Unique features icons Glass patterns and thicknesses

SC Soft Close system
 This feature keeps ears and fingers safe by easing the door shut no matter how hard you slam it. This graceful gradual closing—a great child-friendly feature for families—also helps minimize door-to-frame impact to extend product life.

EZ EZ Kleen track system
 Keep your door sliding easily with this system that lets you clean the rail in a single swipe.

CP Clip and Push system
 Easy to unclip bottom door rollers to simplify maintenance. Simply unclip, slightly push the door panel and clean away!

SG Sure-glide system
 Sure-Glide track keeps panels in place for smooth and quiet operation. Innovative design eliminates soap and dirt buildup to make cleanup easy.



Clear (900)	Mistelite (981)
Effervescence (989)	Hammer (965)
Raindrop (970)	French Door (963)
Linen (988)	

RA Reversible header
 Some of MAAx shower doors feature a reversible header. It's up to you to select the side to suit your needs or the look you desire.

LOTUS Lotus Glass Protection
 This protection increases resistance to wear and tear and has a non-stick surface that repels soap and water stains.

Lifting Hinge
 This high quality hinge rises when the glass panel is pivoted, reducing the friction between the tub or base and the bottom gasket and prolonging the life of your products.

Door opening icons

		Sliding door
		Pivot door

Frame finishes

Chrome (084)	Brushed Nickel (305)	Dark Bronze (172/173)	Mat Silver (170)	Nickel (105)

DUEL ALCOVE & CORNER SHOWER AND TUB SHOWER DOORS



Duel shower door

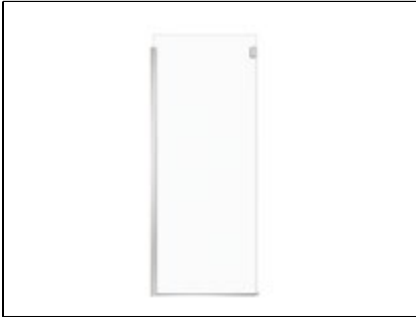
Installation: Alcove/Corner

Glass Finish: Clear

- Fits showers with 70 1/2 in. wall clearance, with glass extending to 74 in.
- Two sliding glass panels for flexible entryway or plumbing access
- Sleek and square elements for a modern look
- Add one return panel to a Duel alcove door to create a corner unit



44 1/2" - 47" W x 70 1/2" H
56 1/2" - 59" W x 70 1/2" H

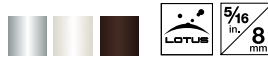


Duel return panel

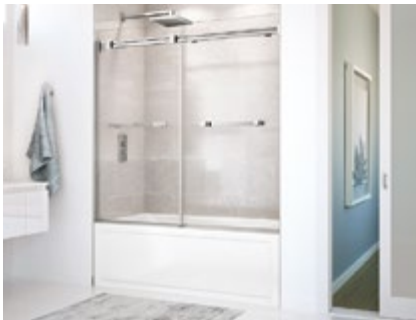
Installation: Corner

Glass Finish: Clear

- 8 mm tempered glass with Lotus glass protection on both side
- Combined this return panel with the Duel Alcove door to create a corner unit



30 1/2" W x 74" H
34 1/2" W x 74" H



Duel tub door

Installation: Alcove

Glass Finish: Clear

- Fits tub showers with 55 1/2 in. wall clearance, with glass extending to 59 in.
- Two sliding glass panels for flexible entryway or plumbing access
- Sleek and square elements for a modern look



56 1/2" - 59" W x 55 1/2" H



Beautiful glass height with sleek modern hardware element

Enjoy the versatility of entering to the left or to the right with these double sliding panels

EDGE ALCOVE SHOWER AND TUB SHOWER DOORS



Edge tub door

Installation: Alcove

Glass Finish: Clear

- 6 mm tempered glass with Lotus glass protection
- Pivoting single panel: nothing is on the tub, making it easy to clean the panel and the tub
- Easy access to faucets
- Ideal for slanted ceilings

30" x 55 1/2"



Edge Square tub door

Installation: Alcove

Glass Finish: Clear

- 8 mm tempered glass with Lotus glass protection with a Square Pivot
- Pivoting single panel: nothing is on the tub, making it easy to clean the panel and the tub
- Easy access to faucets
- Ideal for slanted ceilings

34" x 58"



Edge Duo tub door

Installation: Alcove

Glass Finish: Clear

- 8 mm tempered glass with Lotus glass protection
- Double glass, one fix 24 in and one pivot 18 in; gives a wide access to get in and out while making the corner watertight
- The lifting hinges will ease the manipulation and protect your gaskets
- The moving panel can tilt slightly inside the tub to prevent water spills

42" x 58"



Edge Duo shower door

Installation: Alcove

Glass Finish: Clear

- 8 mm tempered glass with Lotus glass protection
- Double glass, one fix 24 in and one pivot 18 in; gives a wide access to get in and out while making the corner watertight
- Easy access to faucets
- The moving panel can tilt slightly inside the tub to prevent water spills

42" x 75"



HALO ALCOVE & CORNER SHOWER AND TUB SHOWER DOORS



Halo shower door

Installation: Alcove/Corner

Glass Finish: Clear

- Ball bearing roller technology allowing ¼ in. adjustment
- Reversible door for left or right opening
- Waterproof magnetic closing
- Add one return panel to a Halo alcove door to create a corner unit

44 ½" - 47 ½" W x 78 ¾" H
56 ½" - 59" W x 78 ¾" H



Halo return panel

Installation: Corner

Glass Finish: Clear

- 8 mm tempered glass
- Add to a Halo alcove door to create a corner unit

32" W x 78 ¾" H
34" W x 78 ¾" H
36" W x 78 ¾" H



Halo tub door

Installation: Alcove

Glass Finish: Clear

- 59 in. high sliding door for bathtub and tub shower
- Ball bearing roller technology allowing ¼ in. adjustment
- Reversible door for left or right opening
- Waterproof magnetic closing

56 ½" - 59" W x 59" H



Halo round

Installation: Corner

Glass Finish: Clear

- Ball bearing roller technology allowing ¼ in. adjustment
- Waterproof magnetic closing
- For installation with round shower base and ceramic walls
- Left opening

36" L x 36" x W 76" H



How to build a Halo corner shower door

- 1 Select a shower door you desire
- 2 Add a return panel



Alcove shower door



Return panel

KAMELEON ALCOVE SHOWER AND TUB SHOWER DOORS



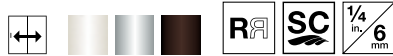
Kameleon 6 mm

Installation: Alcove

Glass Finish: Clear, Mistelite, Linen, Effervescence

- Available with or without the Soft Close system
- Header lock and panel anti-jump
- Rounded towel bar for a clean and versatile look
- Reversible header: one side round and one side flat

40" - 44" W x 71" H
 43" - 47" W x 71" H
 51" - 55" W x 71" H
 55" - 59" W x 71" H



Kameleon tub door 6 mm

Installation: Alcove

Glass Finish: Clear, Mistelite, Linen, Effervescence

- Available with or without the Soft Close system
- Header lock and panel anti-jump
- Rounded towel bar for a clean and versatile look
- Reversible header: one side round and one side flat

51" - 55" W x 57" H
 55" - 59" W x 57" H



Kameleon 8 mm

Installation: Alcove

Glass Finish: Clear

- Available with or without the Soft Close system
- Header lock and panel anti-jump
- Rounded towel bar for a clean and versatile look
- Reversible header: one side round and one side flat

43" - 47" W x 71" H
 55" - 59" W x 71" H



Kameleon tub door 8 mm

Installation: Alcove

Glass Finish: Clear, French door

- Available with or without the Soft Close system
- Header lock and panel anti-jump
- Rounded towel bar for a clean and versatile look
- Reversible header: one side round and one side flat

55" - 59" W x 57" H



LUMINESCENCE ALCOVE SHOWER AND TUB SHOWER DOORS



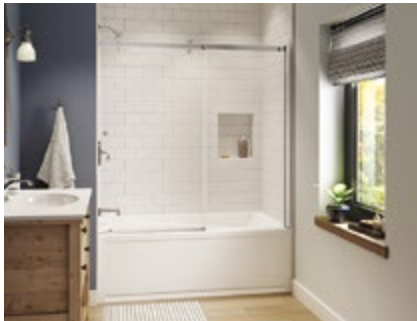
Luminescence shower door

Installation: Alcove

Glass Finish: Clear

- Fits showers with 70 ½ in. wall clearance, with glass extending to 72 in.
- Ball bearing roller system - door closes gently & quietly
- Reversible door for left or right opening

44 ½" - 47" W x 70 ½" H
56 ½" - 59" W x 70 ½" H



Luminescence tub door

Installation: Alcove

Glass Finish: Clear

- Fits tub showers with 55 ½ in. wall clearance, with glass extending to 57 ½ in.
- Ball bearing roller system - door closes gently & quietly
- Reversible door for left or right opening

56 ½" - 59" W x 55 ½" H



You need more information
on **MAAX** shower doors?



Refer to the
MAAX Professional Price List



Click or type the link below to download

WWW.MAAX.COM/PARTNERPORTAL

REVEAL ALCOVE & CORNER SHOWER DOORS



Reveal 71 shower door

Installation: Alcove/Corner

Glass Finish: Clear

- 71 ½ in. high luxury clear glass shower door
- Unique MAAX patent hinge allows for 3 in. lateral adjustment
- Reversible door for left or right opening
- Add one return panel to a Reveal alcove door to create a corner unit



- 32 ½" - 35 ½" W x 71 ½" H
- 38" - 41" W x 71 ½" H
- 41 ½" - 44 ½" W x 71 ½" H
- 44" - 47" W x 71 ½" H
- 51 ½" - 54 ½" W x 71 ½" H
- 56" - 59" W x 71 ½" H



Reveal 71 return panel

Installation: Corner

Glass Finish: Clear

- 71 ½ in. high luxury glass panel
- 8 mm tempered glass
- Choice of chrome, brushed nickel or dark bronze hardware
- Add to a Reveal alcove shower door to create a corner unit



- 32" W x 71 ½" H
- 34" W x 71 ½" H
- 36" W x 71 ½" H



Reveal 75 shower door

Installation: Alcove/Corner

Glass Finish: Clear

- 75 in. high luxury clear glass shower door
- Unique MAAX patent hinge allows for 3 in. lateral adjustment
- Reversible door for left or right opening
- Add one return panel to a Reveal alcove door to create a corner unit



- 32 ½" - 35 ½" W x 75" H
- 38" - 41" W x 75" H
- 44" - 47" W x 75" H
- 56" - 59" W x 75" H

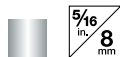


Reveal 75 return panel

Installation: Corner

Glass Finish: Clear

- 75 in. high luxury glass panel
- 8 mm tempered glass with chrome hardware
- Add to a Reveal alcove shower door to create a corner unit



- 32" W x 75" H
- 34" W x 75" H
- 36" W x 75" H

How to build a Reveal corner shower door

- 1 Select a shower door you desire
- 2 Add a return panel



Alcove shower door



Return panel

FRAMELESS ALCOVE SHOWER AND TUB SHOWER DOORS



Kleara 1-panel

Installation: Alcove

Glass Finish: Clear, Mistelite

- 1-panel frameless pivot door for alcove shower
- Exclusive pivot hinge providing 2 in. of lateral adjustment
- Clear sealing joint around the door, preventing water leak

23 ½" - 25 ½" W x 69" H
 25 ½" - 27 ½" W x 69" H
 27 ½" - 29 ½" W x 69" H
 29 ½" - 31 ½" W x 69" H
 31 ½" - 33 ½" W x 69" H



Kleara 2-panel

Installation: Alcove

Glass Finish: Clear, Mistelite

- 2-panel frameless pivot door for alcove shower
- Exclusive pivot hinge providing 3 in. of lateral adjustment
- Clear sealing joint around the door, preventing water leak
- Central pressure closing and full-length aluminum magnetic profile

33 ½" - 36 ½" W x 69" H
 36 ½" - 39 ½" W x 69" H
 39 ½" - 42 ½" W x 69" H
 42 ½" - 45 ½" W x 69" H
 45 ½" - 48 ½" W x 69" H
 48 ½" - 51 ½" W x 69" H
 51 ½" - 54 ½" W x 69" H
 54 ½" - 57 ½" W x 69" H
 57 ½" - 60 ½" W x 69" H



Link Curve Neo-angle

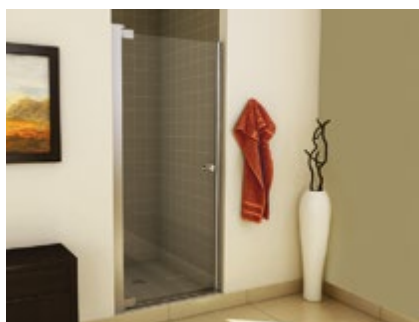
Installation: Corner

Glass Finish: Clear

- 8 mm frameless neo-angle door with Lotus glass protection
- Chrome, brushed nickel or dark bronze hardware available
- Flush mount hinges on inside glass for easy cleaning
- Reversible door for left or right opening

38" x 38" x 75"
 40" x 40" x 75"

AVAILABLE FALL 2017



Madono

Installation: Alcove

Glass Finish: Clear

- 1-panel frameless pivot door for alcove shower
- Chrome knob for a clean simple look
- Reversible door for left or right opening

24 ½" - 26 ½" W x 67" H
 28 ½" - 30 ½" W x 67" H
 31 ½" - 33 ½" W x 67" H
 34 ½" - 36 ½" W x 67" H



FRAMELESS CORNER SHOWER DOORS



Radia Neo-round

Installation: Corner

Glass Finish: Clear, Mistelite

- 6 mm tempered glass with Lotus glass protection
- Magnetic and PVC extrusion for a better watertight closure
- Easy to detach the bottom wheels to clean the track (Clip and Push)
- 3/4 in of out of plumb adjustment for those not so perfect walls



32" x 32" x 71 1/2"
36" x 36" x 71 1/2"
40" x 40" x 71 1/2"



Radia Neo-angle

Installation: Corner

Glass Finish: Clear, Mistelite

- 6 mm tempered glass with Lotus glass protection
- Magnetic and aluminum extrusion for a better watertight closure and panel rigidity
- Easy to detach the bottom wheels to clean the track (Clip and Push)
- 3/4 in of out of plumb adjustment for those not so perfect walls



36" x 36" x 71 1/2"
38" x 38" x 71 1/2"
40" x 40" x 71 1/2"



Radia Square

Installation: Corner

Glass Finish: Clear, Mistelite

- 6 mm tempered glass with Lotus glass protection
- Magnetic and aluminum extrusion for a better watertight closure and panel rigidity
- Easy to detach the bottom wheels to clean the track (Clip and Push)
- 3/4 in of out of plumb adjustment for those not so perfect walls



32" x 32" x 71 1/2"
36" x 36" x 71 1/2"



Radia Round

Installation: Corner

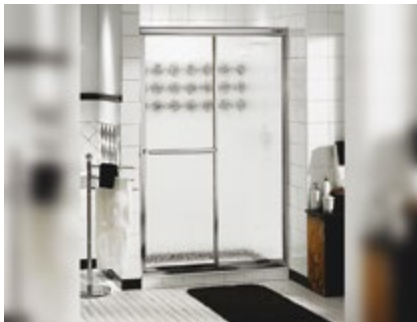
Glass Finish: Clear

- 6 mm tempered glass with Lotus glass protection
- Magnetic and PVC extrusion for a better watertight closure
- Easy to detach the bottom wheels to clean the track (Clip and Push)
- Product is reversible for a opening on the left and on the right



36" x 36" x 71 1/2"

BUILDER ALCOVE SHOWER AND TUB SHOWER DOORS



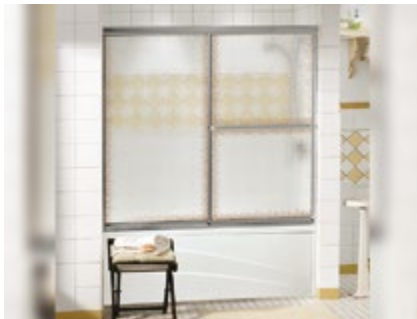
Decor Plus shower door

Installation: Alcove

Glass Finish: Clear, Raindrop

- 2-panel framed sliding door for alcove shower or tub shower
- Bottom door guide provides smooth opening
- Additional lateral jamb seal assures watertight closing
- Sure-glide bottom track prevents residue build-up for ease of cleaning

43" W x 69" H
44" W x 66" H
44" W x 69" H



Decor Plus tub door

Installation: Alcove

Glass Finish: Clear, Raindrop

- 2-panel framed sliding door for alcove tub or tub shower
- Bottom door guide provides smooth opening
- Additional lateral jamb seal assures watertight closing
- Sure-glide bottom track prevents residue build-up for ease of cleaning

56 3/4" W x 56" H
59 1/2" W x 56" H



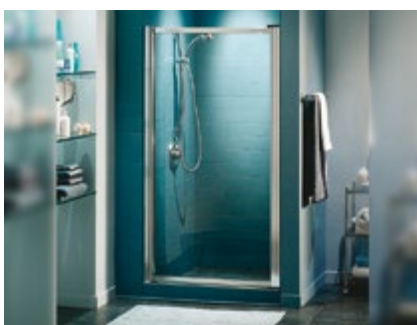
Mika tub door

Installation: Alcove

Glass Finish: Hammer

- 2-panel framed sliding door for alcove tub or tub shower
- EZ Klean track system. A simple swipe will clean up the rail.
- Aluminum towel bars

54" - 59 1/2" W x 55 1/2" H



Pivolok

Installation: Alcove

Glass Finish: Clear, Raindrop

- 1-panel framed pivot door for alcove shower
- Reversible door for left or right installation
- Framed integrated channel ensures watertightness
- Full-length magnetic catch which allows the door to close tightly

19" - 20 3/4" W x 64 1/2" H
21" - 22 3/4" W x 64 1/2" H
23" - 24 3/4" W x 64 1/2" H
25" - 26 3/4" W x 64 1/2" H
27" - 28 3/4" W x 64 1/2" H
29" - 30 3/4" W x 64 1/2" H
31" - 32 3/4" W x 64 1/2" H
33" - 34 3/4" W x 64 1/2" H



Pivolok Deluxe

Installation: Alcove

Glass Finish: Clear, Hammer

- 1-panel framed pivot door for alcove shower
- Reversible door for left or right installation
- Framed integrated channel ensures watertightness
- Full-length magnetic catch which allows the door to close tightly

28" - 32 1/2" W x 64 1/2" H
32 1/2" - 37" W x 64 1/2" H



BUILDER ALCOVE SHOWER AND TUB SHOWER DOORS (cont'd)



Polar shower door

Installation: Alcove

Glass Finish: Raindrop

- 2-panel framed sliding door for alcove shower
- EZ Kleen track system. A simple swipe will clean up the rail.
- Aluminum towel bars

42" - 47 ½" W x 68" H

54" - 59 ½" W x 68" H



Polar tub door

Installation: Alcove

Glass Finish: Raindrop

- 2-panel framed sliding door for alcove tub or tub shower
- EZ Kleen track system. A simple swipe will clean up the rail.
- Aluminum towel bars

54" - 59 ½" W x 58" H



Triple Plus shower door

Installation: Alcove

Glass Finish: Clear, Hammer, Raindrop

- 3-panel framed sliding door for alcove shower or tub shower
- Bottom guide rail provides a smooth and quiet opening
- Additional lateral jamb seal assures watertight closing
- Sure-glide bottom track prevents residue build-up for ease of cleaning

36" W x 69" H

40" W x 66" H

42 ½" W x 66" H

43" W x 69" H

44 ½" W x 66" H

48" W x 66" H

48" W x 69" H

52 ½" W x 66" H

54 ½" W x 66" H

58" W x 66" H

59 ½" W x 71" H



Triple Plus tub door

Installation: Alcove

Glass Finish: Clear (only for 59 ½ in. H door), Raindrop

- 3-panel framed sliding door for alcove tub or tub shower
- Bottom guide rail provides a smooth and quiet opening
- Clear seals keep the door watertight
- Sure-glide bottom track prevents residue build-up for ease of cleaning

52 ½" W x 56" H

55" W x 56" H

59 ½" W x 56" H



BUILDER CORNER SHOWER DOORS



Silhouette Neo-angle

Installation: Corner

Glass Finish: Clear, Raindrop

- Neo-angle framed pivot door for corner shower
- Full-length aluminum pull reinforces door and doubles as a handle
- Reversible door for left or right opening
- Adjustable pivot mechanism



36" L x 36" W x 70" H
38" L x 38" W x 70" H
40" L x 40" W x 70" H



Silhouette Plus Neo-angle

Installation: Corner

Glass Finish: Clear, Hammer, Raindrop

- Neo-angle framed pivot door for corner shower
- Full-length aluminum pull reinforces door and doubles as a handle
- Reversible door for left or right opening
- 6 ways to adjust door to irregular base



36" L x 36" W x 70" H
38" L x 38" W x 70" H
40" L x 40" W x 70" H

Corner – Recommended MAAX Shower Doors

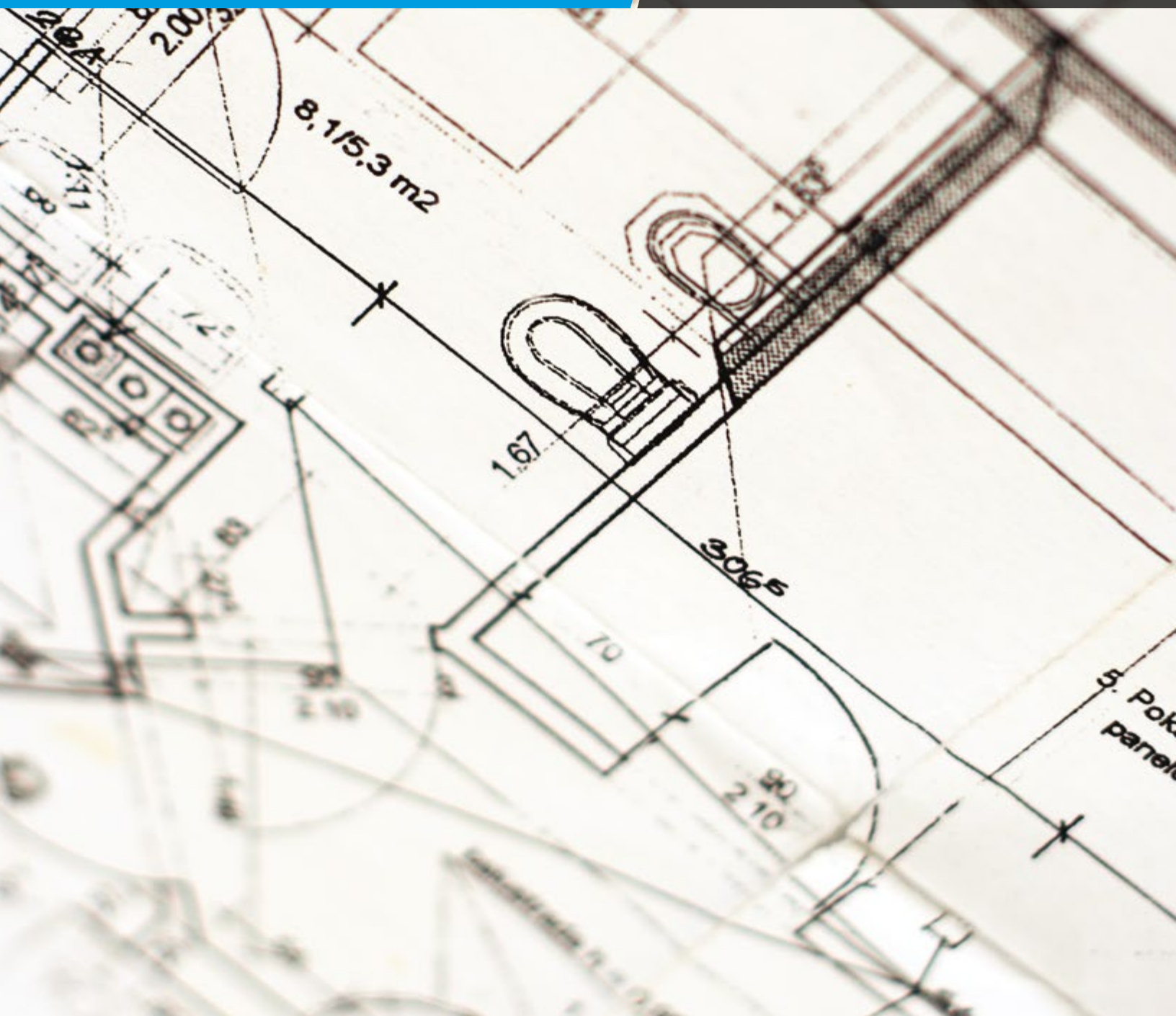


U.S.A. - EFFECTIVE DATE 08/01/17

MODEL	BASE	INSTALLATION	DRAIN POSITION	DIMENSIONS	SLIDING		PIVOT		SLIDING		PIVOT		Page #				
					48	60	48	60	48	60	48	60					
141047	KD-NAS	NEO-ANGLE	Center	38 X 38	136271	DUET FRAMELESS							p. 277				
					136272										p. 277		
141038	SH-NA	NEO-ANGLE	Off centre	38 X 38	137310	DUET RETURN PANEL 32 IN.								p. 277			
					137311	DUET RETURN PANEL 36 IN.									p. 279		
					138996	HALO 2 PANEL										p. 279	
					138997											p. 279	
					138998	HALO RETURN PANEL 32 IN.										p. 282	
					139395	HALO RETURN PANEL 34 IN.										p. 282	
					139396	HALO RETURN PANEL 36 IN.										p. 282	
					136676	REVEAL 71 2-PANEL											p. 282
					136671												p. 282
					136672												p. 282
					136673	REVEAL 71 RETURN PANEL 32 IN.											p. 282
					136674	REVEAL 71 RETURN PANEL 34 IN.											p. 282
136675	REVEAL 71 RETURN PANEL 36 IN.											p. 282					
136678	REVEAL 75 2-PANEL											p. 282					
136880												p. 282					
136881												p. 282					
136700	REVEAL 75 RETURN PANEL 32 IN.											p. 282					
136701	REVEAL 75 RETURN PANEL 34 IN.											p. 282					
136702	REVEAL 75 RETURN PANEL 36 IN.											p. 282					
139399	HALO ROUND											p. 279					
137440	RADIA NEO-ANGLE											p. 284					
137441												p. 284					
137442												p. 284					
137443	RADIA NEO-ROUND											p. 284					
137444												p. 284					
137445												p. 284					
137446	RADIA ROUND											p. 284					
137447	RADIA SQUARE											p. 284					
137448												p. 284					
137280	LINK CURVE NEO-ANGLE											p. 283					
137281												p. 283					
137904	SILHOUETTE NEO-ANGLE											p. 287					
137901												p. 287					
137720												p. 287					
137710	SILHOUETTE PLUS NEO-ANGLE											p. 287					
137730												p. 287					



Technical Drawings



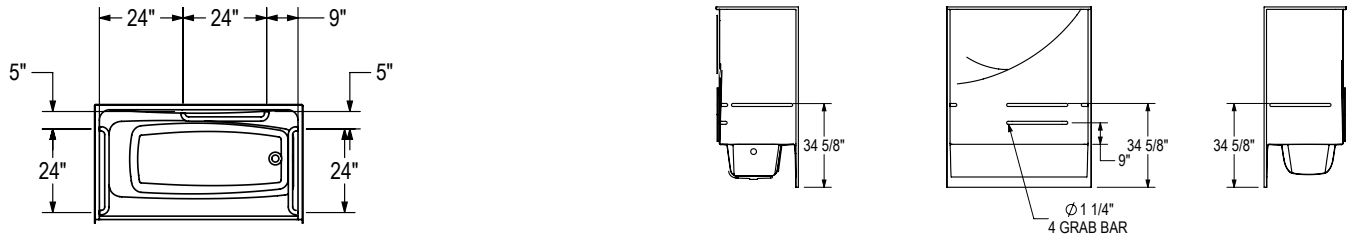


OPTS-6032 TUB SHOWER

CONFIGURATIONS

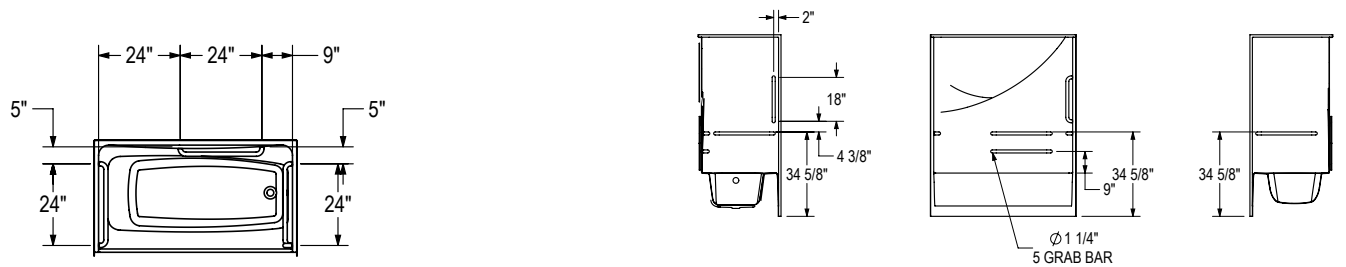
141310 - BASE MODEL WITH ADA GRAB BAR PACKAGE

Right side shown | Left side symmetrical



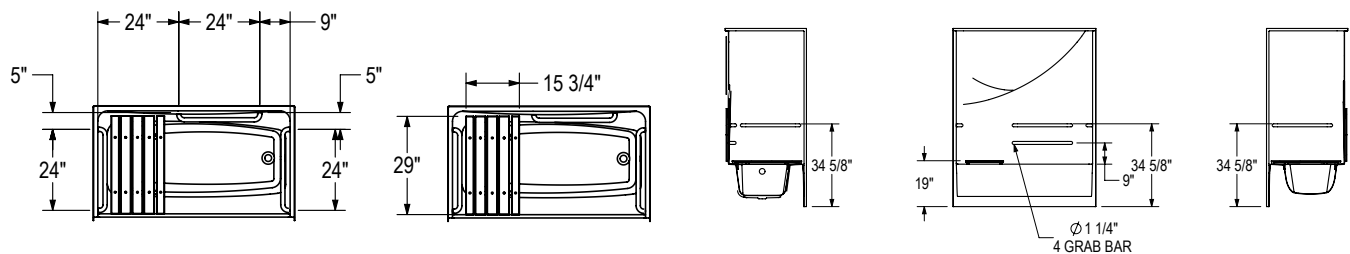
141311 - BASE MODEL WITH ANSI GRAB BAR PACKAGE

Right side shown | Left side symmetrical



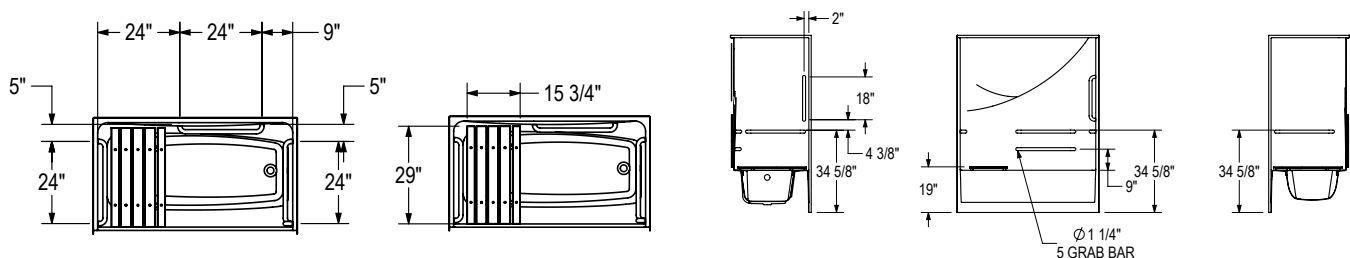
141312 - BASE MODEL WITH ADA GRAB BAR & SEAT PACKAGE

Right side shown | Left side symmetrical



141313 - BASE MODEL WITH ANSI GRAB BAR & SEAT PACKAGE

Right side shown | Left side symmetrical



All dimensions are approximate.
Structure measurements must be verified against the unit to ensure proper fit.

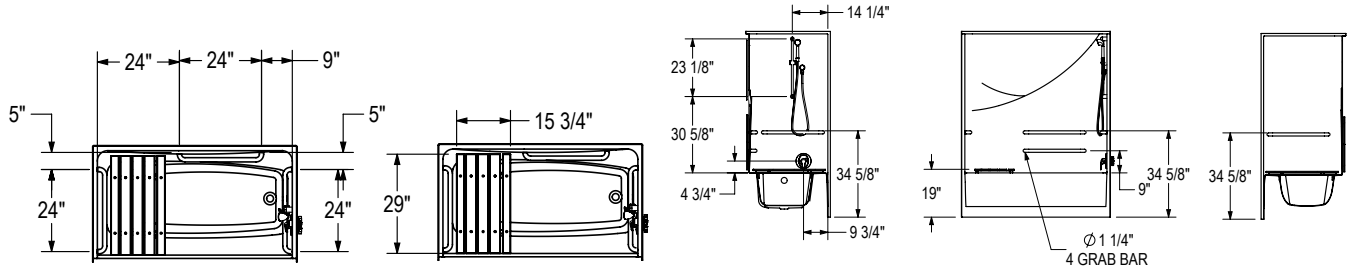


OPTS-6032 TUB SHOWER (cont'd)

CONFIGURATIONS

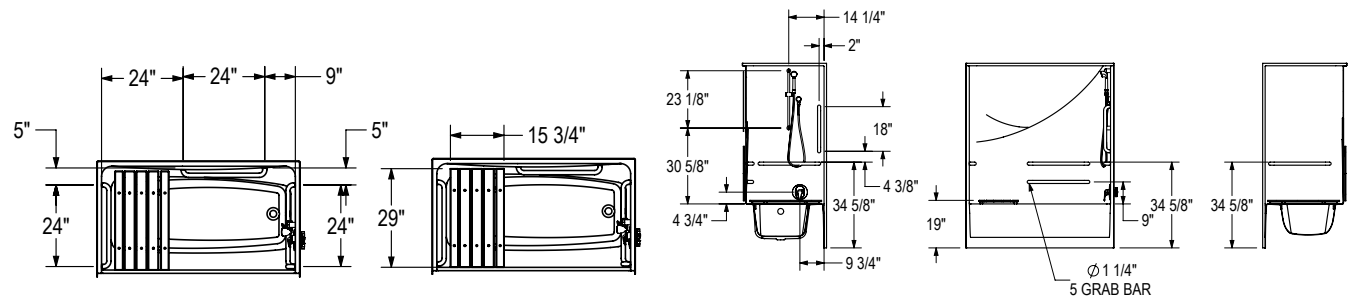
141314 - BASE MODEL WITH COMPLETE ADA PACKAGE

Right side shown | Left side symmetrical



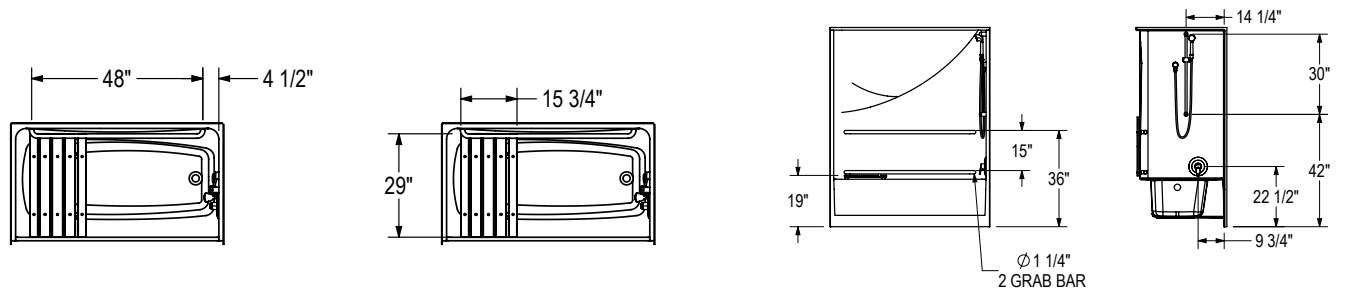
141315 - BASE MODEL WITH COMPLETE ANSI PACKAGE

Right side shown | Left side symmetrical



141316 - BASE MODEL WITH COMPLETE MASSACHUSETTS PACKAGE

Right side shown | Left side symmetrical



Also available:

141382 - BASE MODEL WITH MASSACHUSETTS GRAB BARS

141370 - BASE MODEL WITH MASSACHUSETTS GRAB BARS & SEAT

All dimensions are approximate.
Structure measurements must be verified against the unit to ensure proper fit.

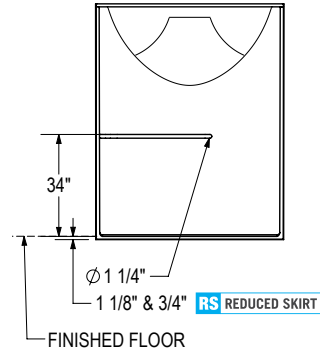
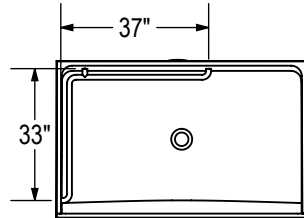


OPS-6036-RS / OPS-6036 ROLL-IN SHOWER

CONFIGURATIONS

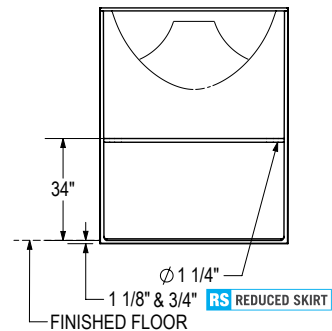
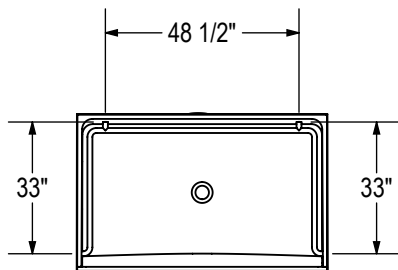
RS 141337 BASE MODEL WITH ADA/ANSI L-SHAPED GRAB BAR PACKAGE

141295 Left side shown | Right side symmetrical



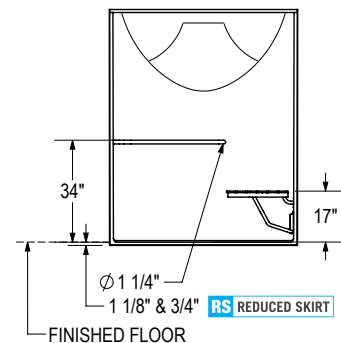
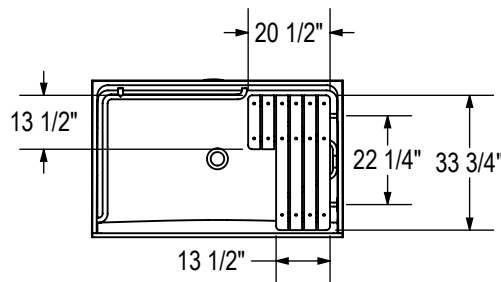
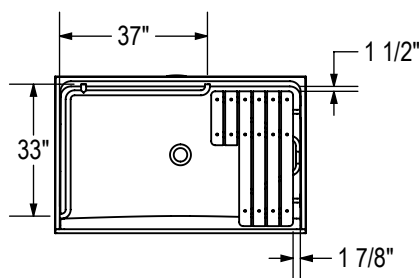
RS 141338 BASE MODEL WITH ADA U-SHAPED GRAB BAR PACKAGE

141296



RS 141339 BASE MODEL WITH ADA/ANSI L-SHAPED GRAB BAR & SEAT PACKAGE

141297 Left side shown | Right side symmetrical



All dimensions are approximate. Structure measurements must be verified against the unit to ensure proper fit.

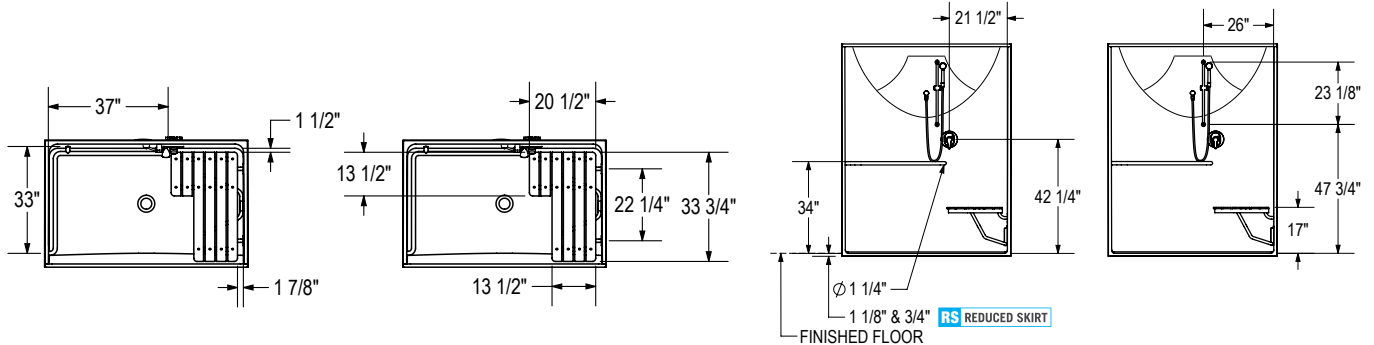


OPS-6036-RS / OPS-6036 ROLL-IN SHOWER (cont'd)

CONFIGURATIONS

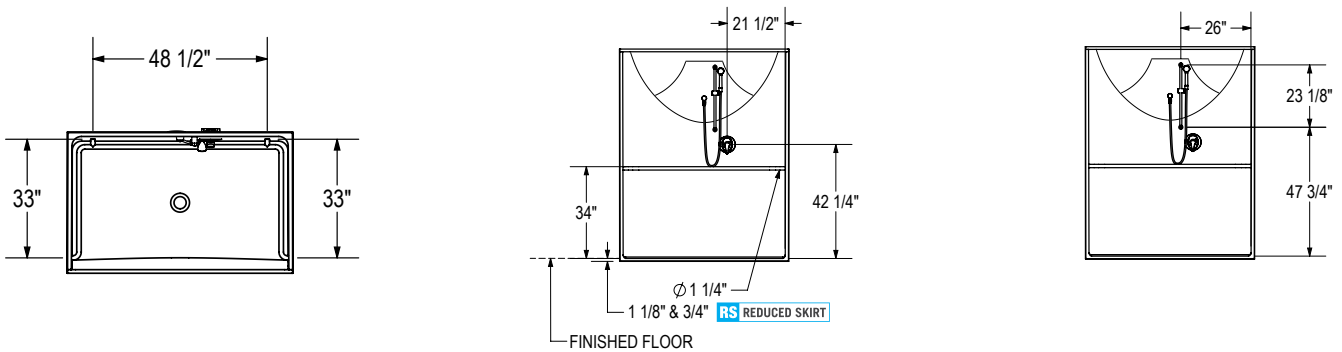
RS 141340 BASE MODEL WITH COMPLETE ADA/ANSI PACKAGE (WITH SEAT)

141298 Left side shown | Right side symmetrical



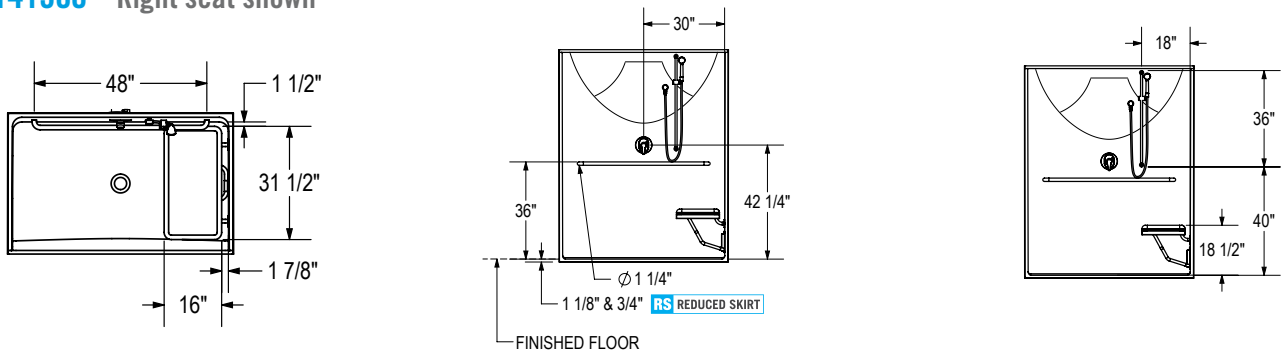
RS 141341 BASE MODEL WITH ADA PACKAGE (WITHOUT SEAT)

141299



RS 141342 BASE MODEL WITH COMPLETE MASSACHUSETTS PACKAGE

141300 Right seat shown



Also available:

RS 141381 & 141380 BASE MODEL WITH MASSACHUSETTS GRAB BAR

RS 141369 & 141368 BASE MODEL WITH MASSACHUSETTS GRAB BAR & SEAT

All dimensions are approximate. Structure measurements must be verified against the unit to ensure proper fit.

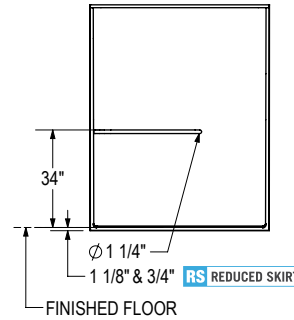
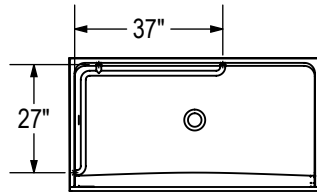


OPS-6030-RS / OPS-6030 ROLL-IN SHOWER

CONFIGURATIONS

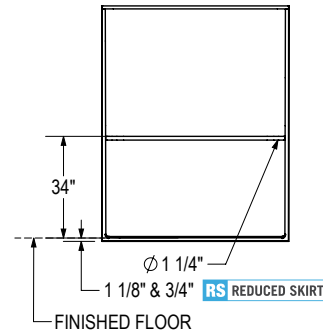
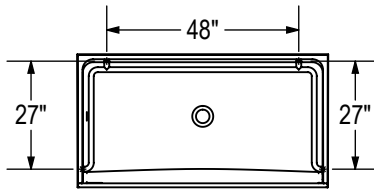
RS 141330 BASE MODEL WITH ADA/ANSI L-SHAPED GRAB BAR PACKAGE

141288 Left side shown | Right side symmetrical



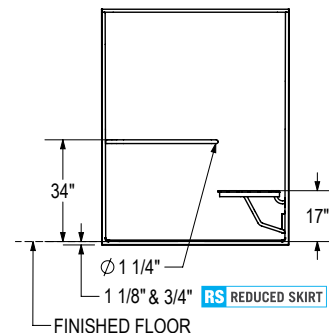
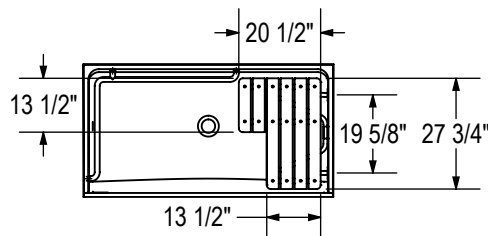
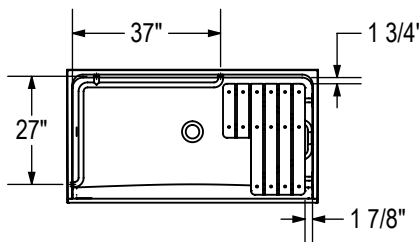
RS 141331 BASE MODEL WITH ADA U-SHAPED GRAB BAR PACKAGE

141289



RS 141332 BASE MODEL WITH ADA/ANSI L-SHAPED GRAB BAR & SEAT PACKAGE

141290 Left side shown | Right side symmetrical



All dimensions are approximate. Structure measurements must be verified against the unit to ensure proper fit.

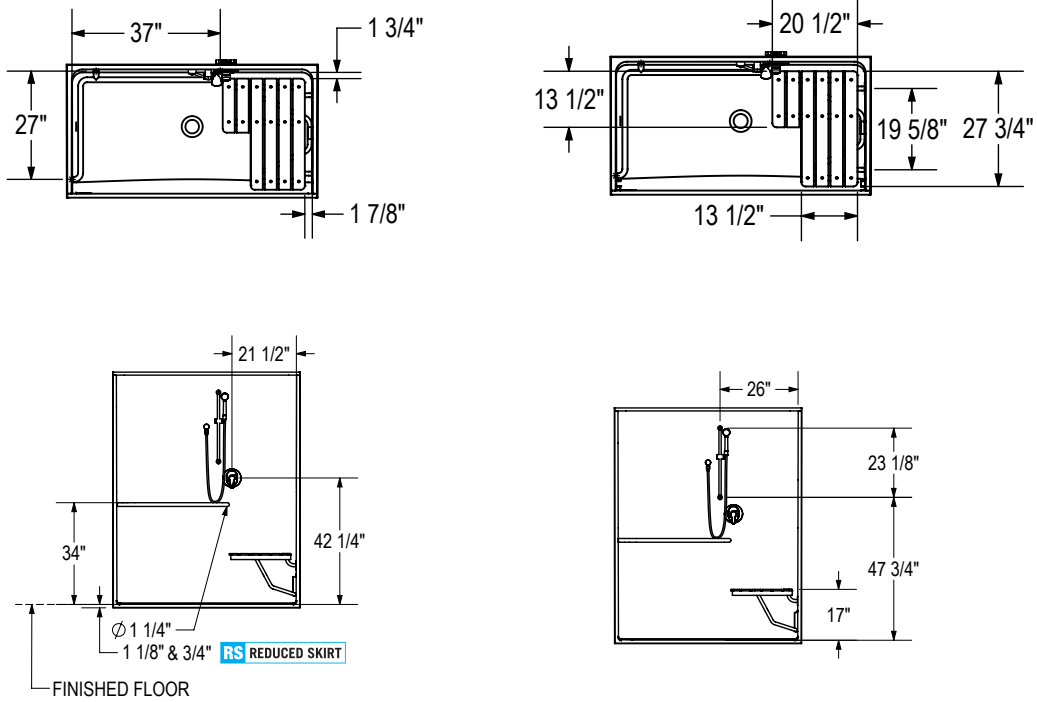


OPS-6030-RS / OPS-6030 ROLL-IN SHOWER (cont'd)

CONFIGURATIONS

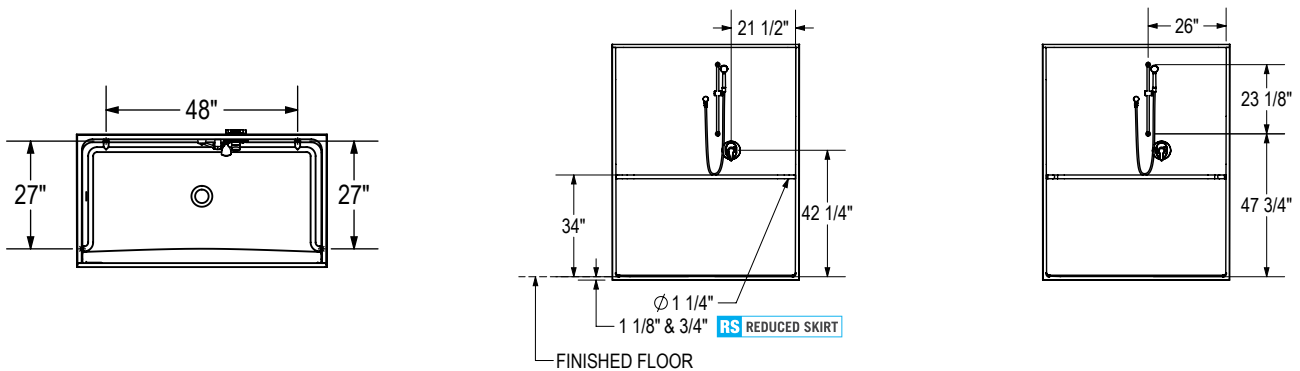
RS 141333 BASE MODEL WITH COMPLETE ADA/ANSI PACKAGE (WITH SEAT)

141291 Left side shown | Right side symmetrical



RS 141334 BASE MODEL WITH COMPLETE ADA PACKAGE (WITHOUT SEAT)

141292 Left side shown | Right side symmetrical



All dimensions are approximate. Structure measurements must be verified against the unit to ensure proper fit.

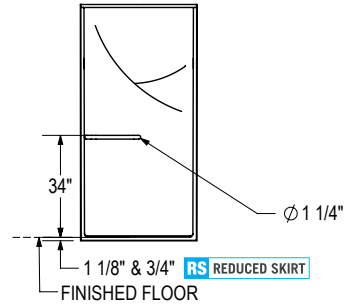
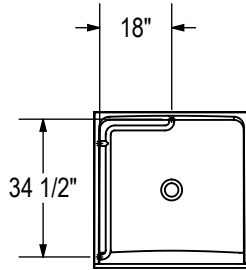


OPS-3636-RS / OPS-3636 TRANSFER SHOWER

CONFIGURATIONS

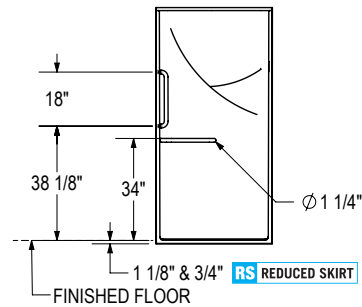
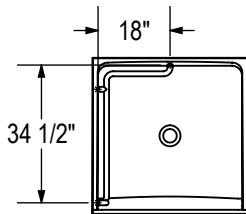
RS 141322 BASE MODEL WITH ADA GRAB BAR PACKAGE

141272 Left side shown | Right side symmetrical



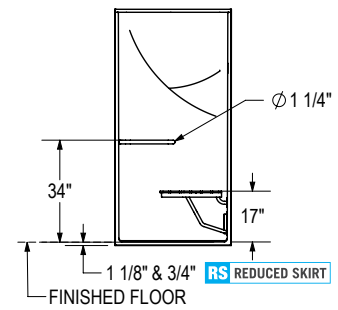
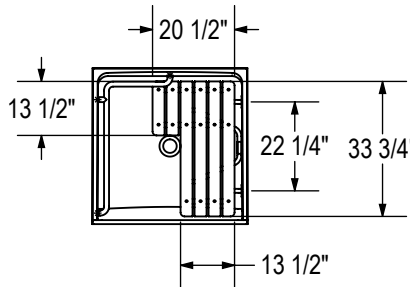
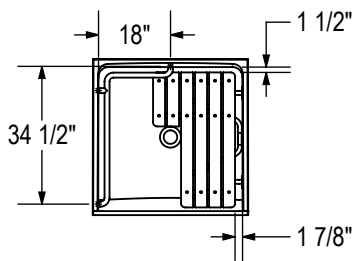
RS 141323 BASE MODEL WITH ANSI GRAB BAR PACKAGE

141273 Left side shown | Right side symmetrical



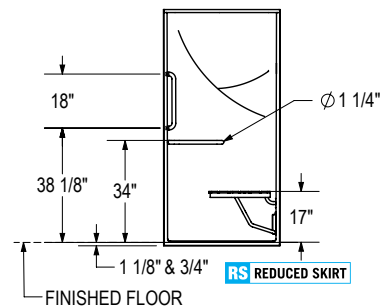
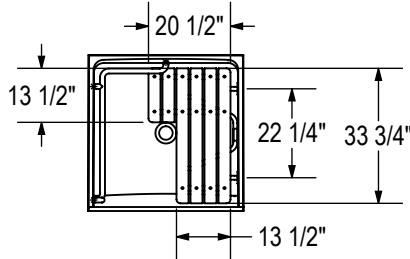
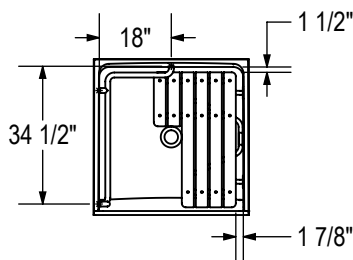
RS 141324 BASE MODEL WITH ADA GRAB BAR & SEAT PACKAGE

141274 Left side shown | Right side symmetrical



RS 141325 BASE MODEL WITH ANSI GRAB BAR & SEAT PACKAGE

141275 Left side shown | Right side symmetrical



All dimensions are approximate. Structure measurements must be verified against the unit to ensure proper fit.

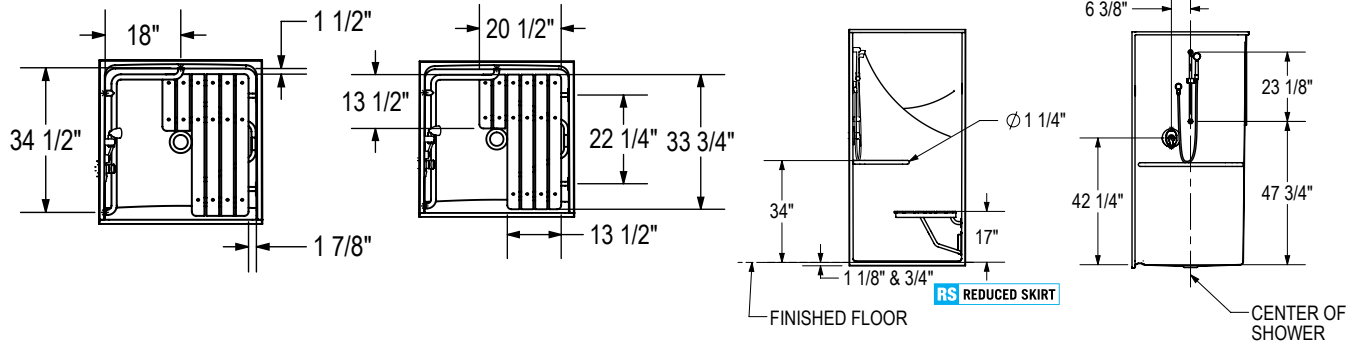


OPS-3636-RS / OPS-3636 TRANSFER SHOWER (CONT'D)

CONFIGURATIONS

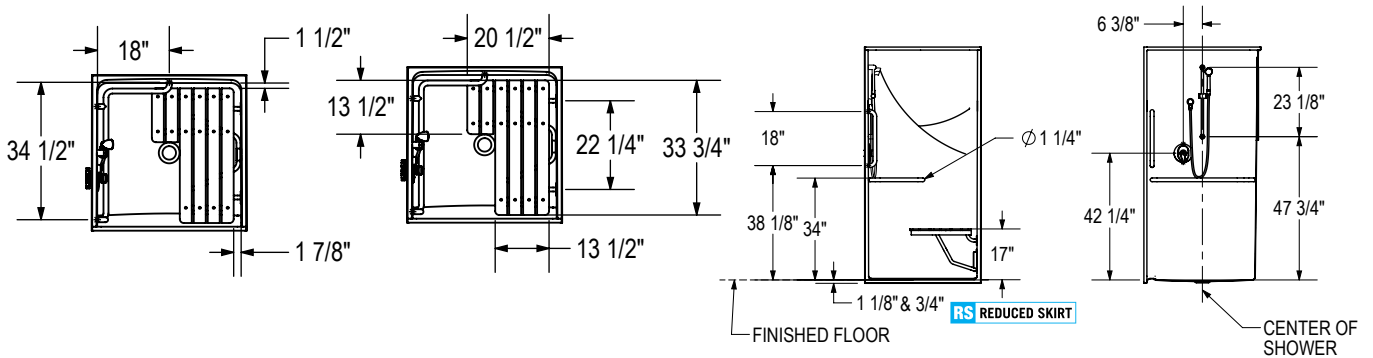
RS 141326 BASE MODEL WITH COMPLETE ADA PACKAGE

141276 Left side shown | Right side symmetrical



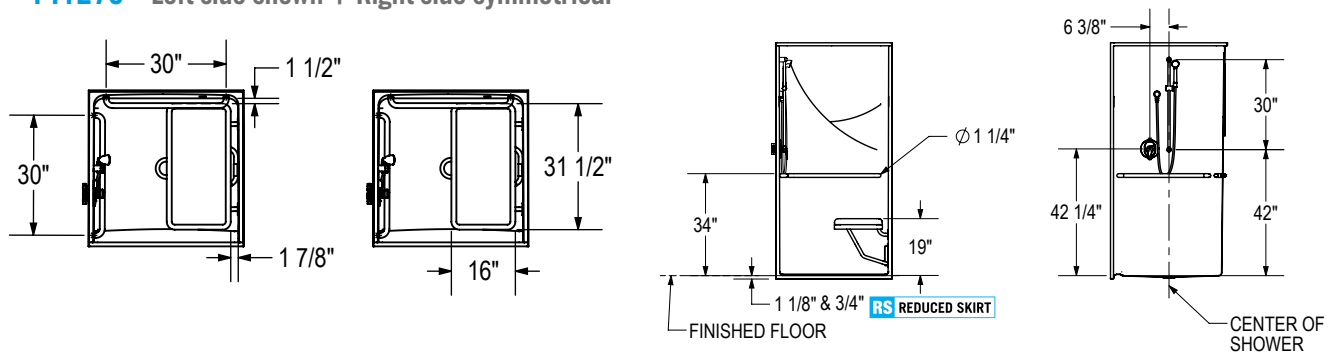
RS 141327 BASE MODEL WITH COMPLETE ANSI PACKAGE

141277 Left side shown | Right side symmetrical



RS 141328 BASE MODEL WITH COMPLETE MASSACHUSETTS PACKAGE

141278 Left side shown | Right side symmetrical



Also available:

RS 141379 & 141378 BASE MODEL WITH MASSACHUSETTS GRAB BARS

RS 141367 & 141366 BASE MODEL WITH MASSACHUSETTS GRAB BARS & SEAT

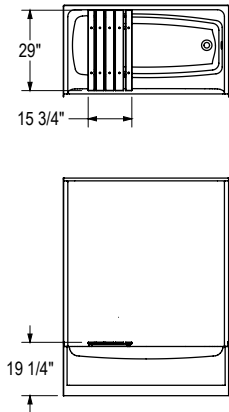
All dimensions are approximate. Structure measurements must be verified against the unit to ensure proper fit.



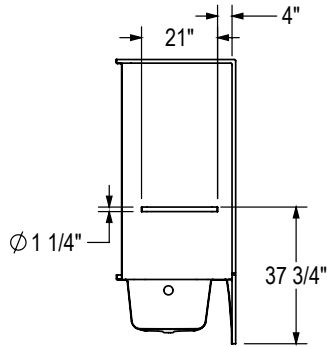
OPTS-6032G-2P - 141302

OPTIONS

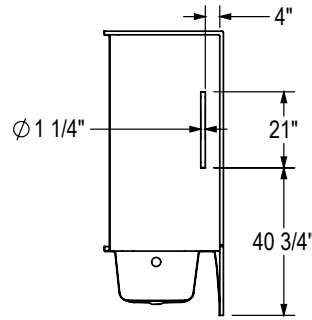
OPTION 20051



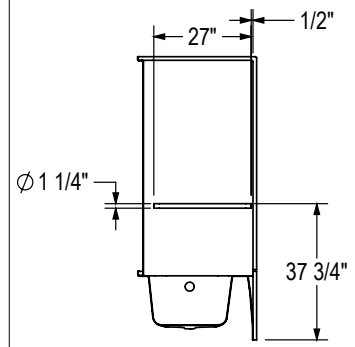
OPTION 20203 HORIZONTAL
Right wall shown
Left wall symmetrical



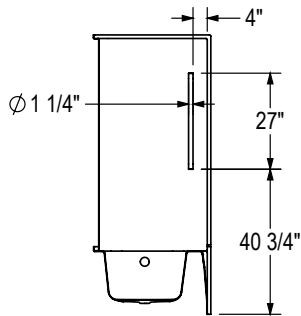
OPTION 20203 VERTICAL
Right wall shown
Left wall symmetrical



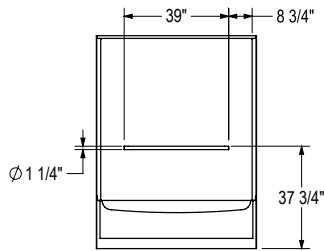
OPTION 20204 HORIZONTAL
Right wall shown
Left wall symmetrical



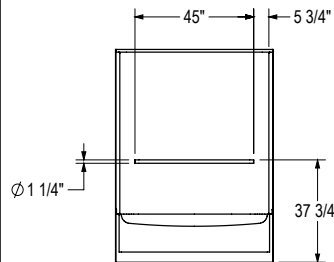
OPTION 20204 VERTICAL
Right wall shown
Left wall symmetrical



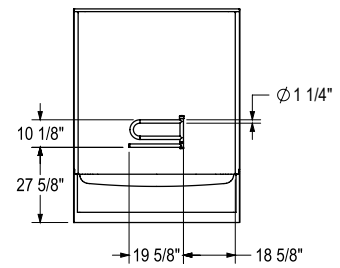
OPTION 20213
Back wall shown



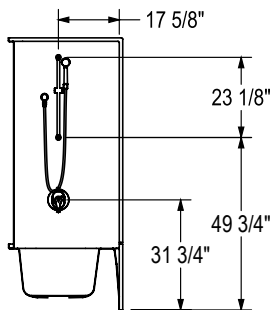
OPTION 20214
Back wall shown



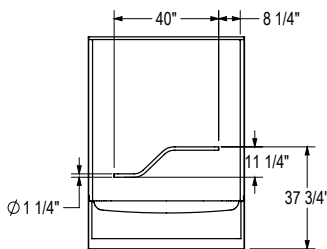
OPTION 20219
Right configuration shown
Left configuration symmetrical



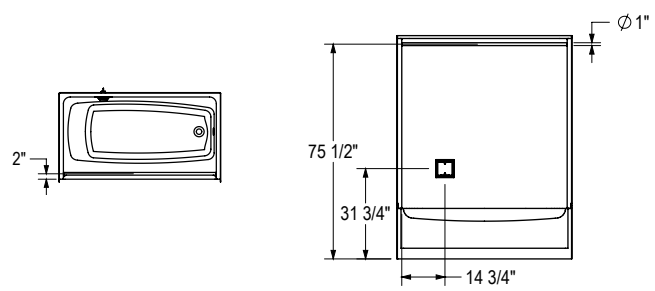
OPTION 20236
Right drain shown
Left drain symmetrical



OPTION 20239
Right configuration shown
Left configuration symmetrical



OPTION
20258 & 20240 & 20059



All dimensions are approximate.
Structure measurements must be verified against the unit to ensure proper fit.

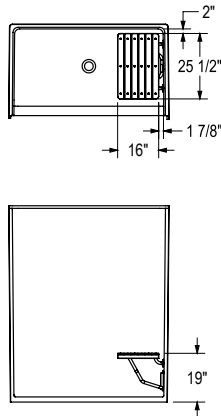


OPS-6034G - 141301

OPTIONS

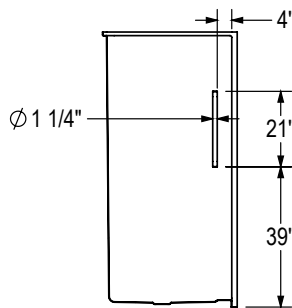
OPTION 20041

Right wall shown
Left wall symmetrical



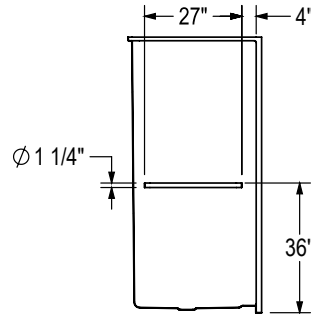
OPTION 20203 VERTICAL

Right wall shown
Left wall symmetrical



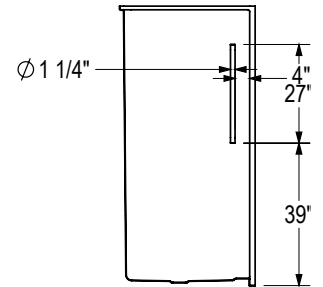
OPTION 20204 HORIZONTAL

Right wall shown
Left wall symmetrical



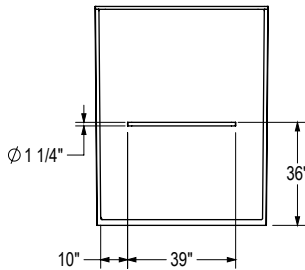
OPTION 20204 VERTICAL

Right wall shown
Left wall symmetrical



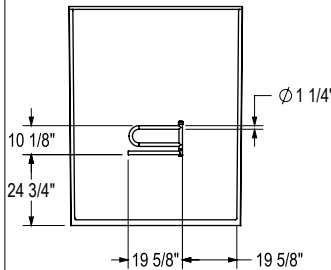
OPTION 20213

Back wall shown



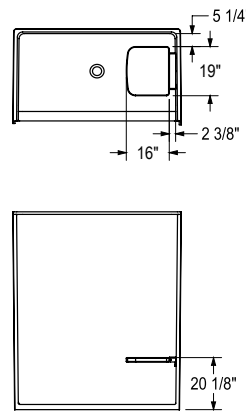
OPTION 20219

Right configuration shown
Left configuration symmetrical



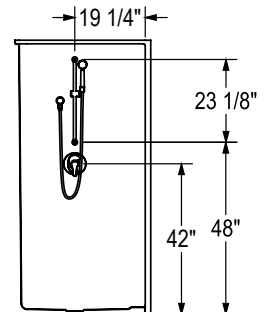
OPTION 20221

Right wall shown
Left wall symmetrical



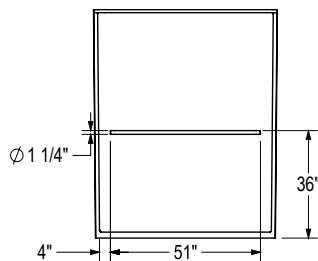
OPTION 20236

Right wall shown
Left wall symmetrical



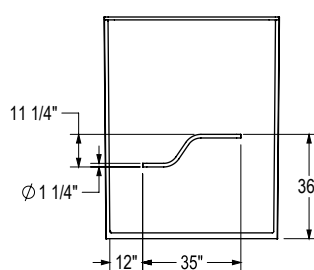
OPTION 20238

Back wall shown

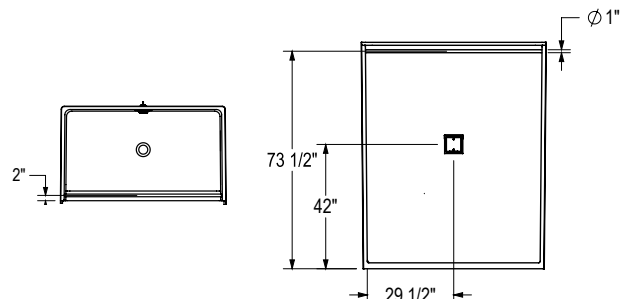


OPTION 20239

Right configuration shown
Left configuration symmetrical



OPTION 20259 & 20241 & 20059



All dimensions are approximate.
Structure measurements must be verified against the unit to ensure proper fit.

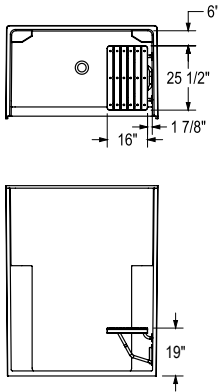


OPS-5634G - 141286

OPTIONS

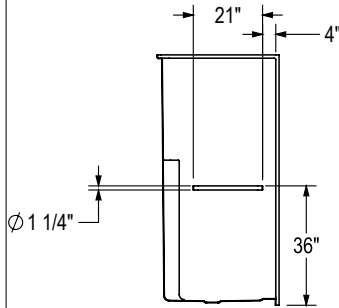
OPTION 20041

Right wall shown
Left wall symmetrical



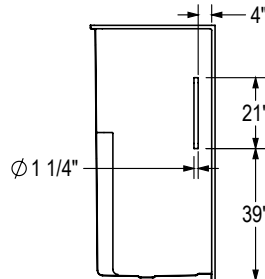
OPTION 20203 HORIZONTAL

Right wall shown
Left wall symmetrical



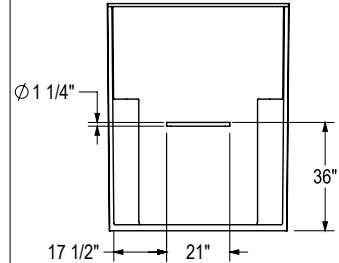
OPTION 20203 VERTICAL

Right wall shown
Left wall symmetrical



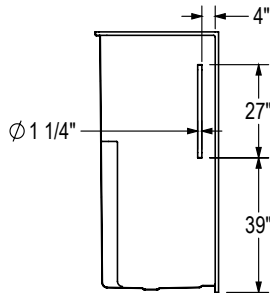
OPTION 20204 HORIZONTAL

Back wall shown



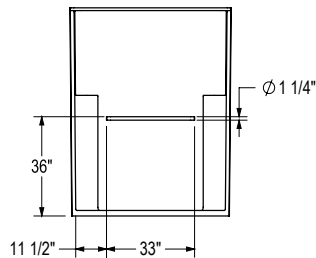
OPTION 20204 VERTICAL

Right wall shown
Left wall symmetrical



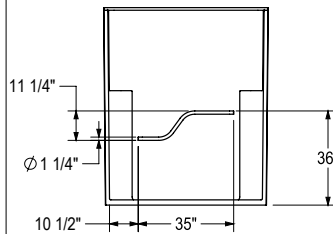
OPTION 20216 HORIZONTAL

Back wall shown



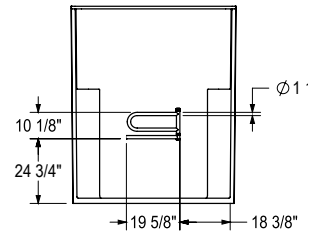
OPTION 20217

Right configuration shown
Left configuration symmetrical



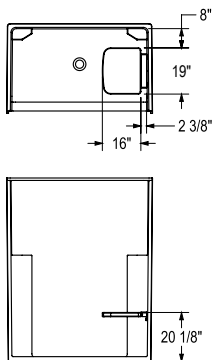
OPTION 20219

Right configuration shown
Left configuration symmetrical



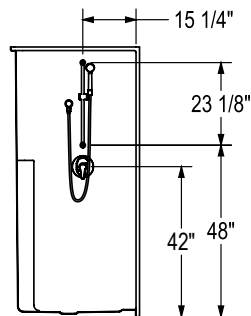
OPTION 20221

Right wall shown
Left wall symmetrical

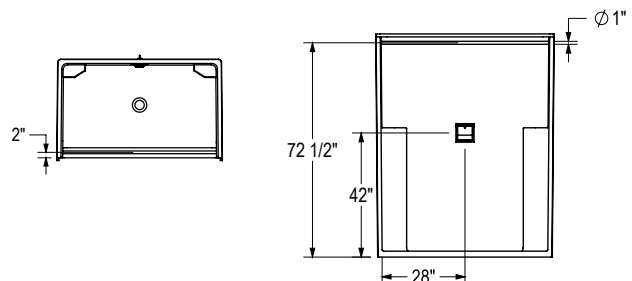


OPTION 20236

Right wall shown
Left wall symmetrical



OPTION 20258 & 20240 & 20059



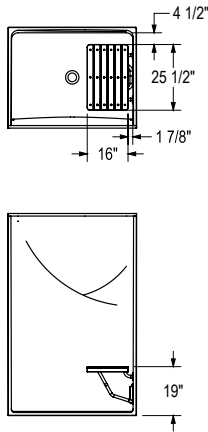
All dimensions are approximate.
Structure measurements must be verified against the unit to ensure proper fit.



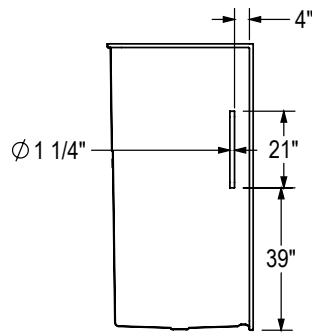
OPS-4836G - 141285

OPTIONS

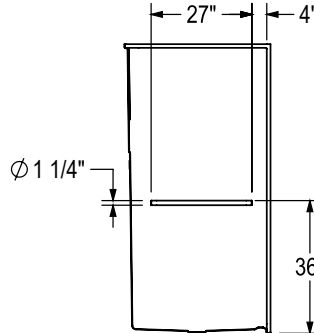
OPTION 20041
Right wall shown
Left wall symmetrical



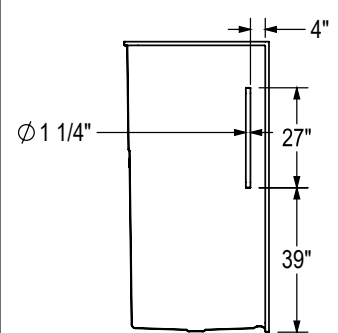
OPTION 20203 VERTICAL
Right wall shown
Left wall symmetrical



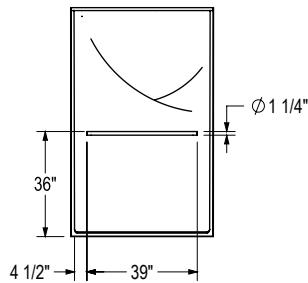
OPTION 20204 HORIZONTAL
Right wall shown
Left wall symmetrical



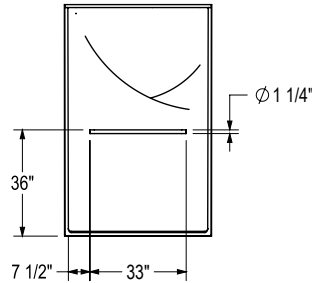
OPTION 20204 VERTICAL
Right wall shown
Left wall symmetrical



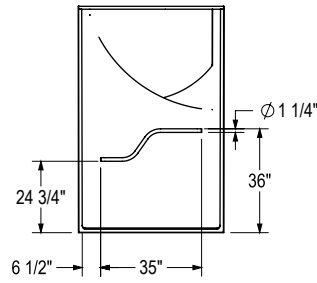
OPTION 20213 HORIZONTAL
Back wall shown



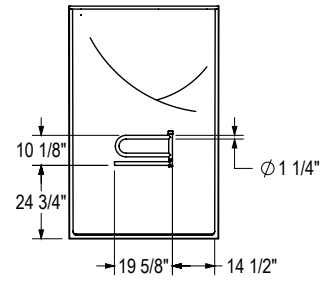
OPTION 20216 HORIZONTAL
Back wall shown



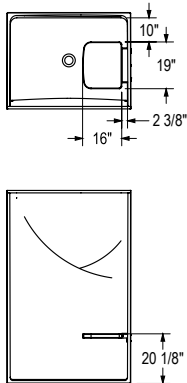
OPTION 20217
Right configuration shown
Left configuration symmetrical



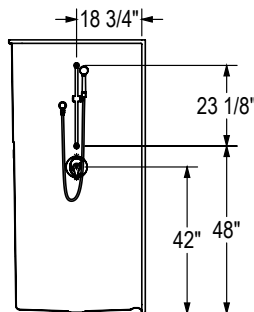
OPTION 20219
Right configuration shown
Left configuration symmetrical



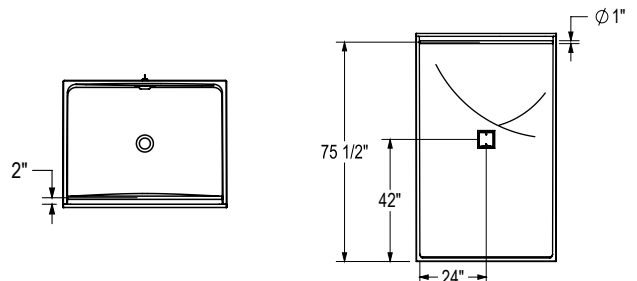
OPTION 20221
Right wall shown
Left wall symmetrical



OPTION 20236
Right wall shown
Left wall symmetrical



OPTION 20257 & 20243 & 20059



All dimensions are approximate.
Structure measurements must be verified against the unit to ensure proper fit.

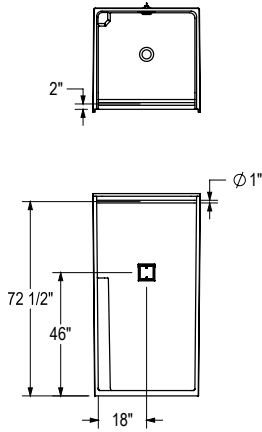


OPS-3636G - 141284

OPTIONS

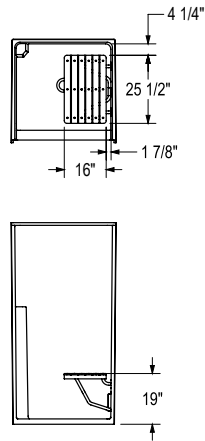
**OPTION 10225 & 20059
LEFT SHELF MODEL**

Left shelf model shown
Right shelf model symmetrical



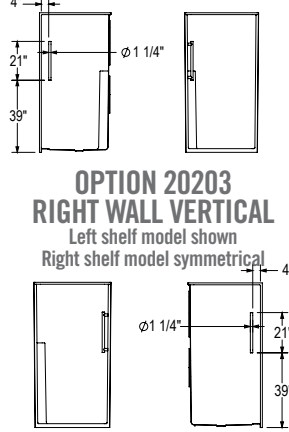
OPTION 20041

Left shelf model shown
Right shelf model symmetrical



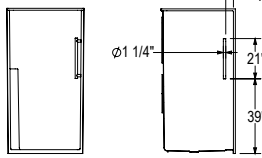
**OPTION 20203
LEFT WALL VERTICAL**

Left shelf model shown
Right shelf model symmetrical



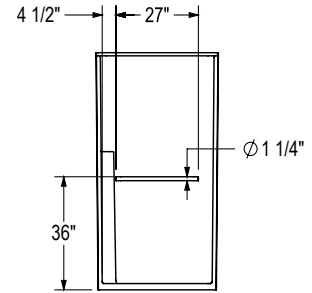
**OPTION 20203
RIGHT WALL VERTICAL**

Left shelf model shown
Right shelf model symmetrical



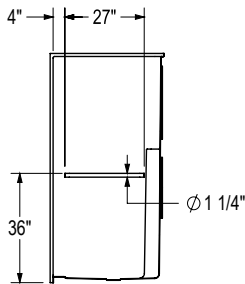
**OPTION 20204
BACK WALL**

Left shelf model shown
Right shelf model symmetrical



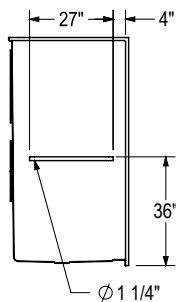
**OPTION 20204
LEFT WALL HORIZONTAL**

Left shelf model shown
Right shelf model symmetrical



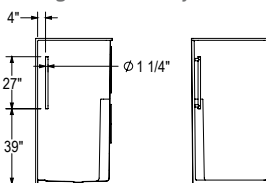
**OPTION 20204
RIGHT WALL HORIZONTAL**

Left shelf model shown
Right shelf model symmetrical



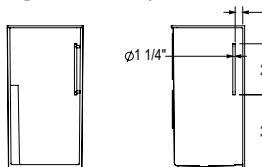
**OPTION 20204
LEFT WALL VERTICAL**

Left shelf model shown
Right shelf model symmetrical



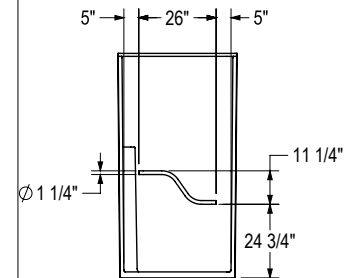
**OPTION 20204
RIGHT WALL VERTICAL**

Left shelf model shown
Right shelf model symmetrical



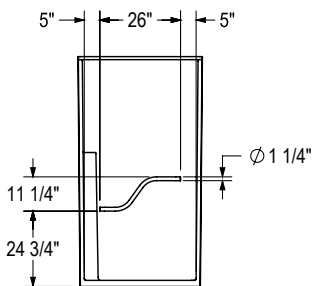
**OPTION 20218
LEFT END**

Left shelf model shown
Right shelf model symmetrical



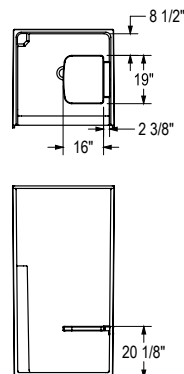
**OPTION 20218
RIGHT END**

Left shelf model shown
Right shelf model symmetrical



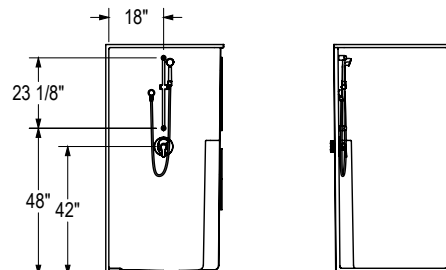
OPTION 20221

Left shelf model shown
Right shelf model symmetrical



OPTION 20236

Left shelf model shown
Right shelf model symmetrical



All dimensions are approximate.
Structure measurements must be verified against the unit to ensure proper fit.

CURTAIN ROD

Accessories and Footnotes

GELCOAT REPAIR KIT

PRESSURE BALANCE MIXING VALVE
& HAND-HELD SHOWER



MODERN GRAB BARS
(STRAIGHT, CURVED OR PIVOT)

RECESSED SOAP DISH



RECTANGULAR REMOVABLE
PHENOLIC SEAT

List of Accessories

BATHTUBS

No	Description	List Price
10005571-XXX	Gelcoat Repair Kit Standard Colors: White (002), Bone (004), Biscuit (007)	\$ 103
10005571-XXX	Gelcoat Repair Kit Non Standard Color	\$ 103
10070102-001	Trim kit for Bodywrap Whirlpool (OV-4260, OVA-4260, OVF-4260, SBOO-4272) Includes: 2 lumbar jet covers, 6 jet covers, 2 suction covers Available colors: White (001), Bone (004), Biscuit (007), Chrome (084) and Brushed Nickel (105)	\$ 233
10070102-004		\$ 233
10070102-007		\$ 233
10070102-084		\$ 432
10070102-105		\$ 694
10070103-001	Trim kit for Bodywrap Whirlpool (CT-6060, CTF-6060) Includes: 4 lumbar jet covers, 4 jet covers, 2 suction covers Available colors: White (001), Bone (004), Biscuit (007), Chrome (084) and Brushed Nickel (105)	\$ 188
10070103-004		\$ 188
10070103-007		\$ 188
10070103-084		\$ 387
10070103-105		\$ 626
10070104-001	Trim kit for Bodywrap Whirlpool (OV-4272, SB-3672/4260/3660/3260, SBA-3660/3260, SBF-3672/3660/3260) Includes: 2 lumbar jet covers, 8 jet covers, 2 suction covers Available colors: White (001), Bone (004), Biscuit (007), Chrome (084) and Brushed Nickel (105)	\$ 273
10070104-004		\$ 273
10070104-007		\$ 273
10070104-084		\$ 472
10070104-105		\$ 710
10070105-001	Trim kit for Bodywrap Whirlpool (GT-4860) Includes: 4 lumbar jet covers, 6 jet covers, 1 suction cover Available colors: White (001), Bone (004), Biscuit (007), Chrome (084) and Brushed Nickel (105)	\$ 251
10070105-004		\$ 251
10070105-007		\$ 251
10070105-084		\$ 450
10070105-105		\$ 688
10070106-001	Trim kit for Bodywrap Whirlpool (SBHG-4272, CT2-6060, CTF2-6060) Includes: 4 lumbar jet covers, 8 jet covers, 2 suction covers Available colors: White (001), Bone (004), Biscuit (007), Chrome (084) and Brushed Nickel (105)	\$ 296
10070106-004		\$ 296
10070106-007		\$ 296
10070106-084		\$ 495
10070106-105		\$ 733
10070108-XXX	Trim kit for Homestead Whirlpool (CT-6060/5454, CTF-6060, GT-6060AP, OV-4272/4260, OVA-4260, OVF-4260, SB-3672/3660/3260, SBA-3660/3260, SBF-3672/3660/3260, TOF-3260/3060) Includes: 6 jet covers, 1 suction cover Available colors: White (001), Bone (004), Biscuit (007)	\$ 96
10070109-XXX	Trim kit for Homestead Whirlpool (GT-60, GT-4260) Includes: 8 jet covers, 1 suction cover Available colors: White (001), Bone (004), Biscuit (007)	\$ 109
10070110-XXX	Trim kit for Homestead Whirlpool (CT2-6060, CTF2-6060) Includes: 4 lumbar jet covers, 6 jet covers, 1 suction cover Available colors: White (001), Bone (004), Biscuit (007)	\$ 120

List of Accessories (cont'd)

TUB SHOWERS

No	Description	List Price
10005571-XXX	Gelcoat Repair Kit Standard Colors: White (002), Bone (004), Biscuit (007)	\$ 103
10005571-XXX	Gelcoat Repair Kit Non Standard Color	\$ 103
10028726	Light for Roofcap	\$ 199
10023942-084	Curved Shelf Rails (for 2)	\$154
10023942-105	Available colors: Chrome (084) and Brushed Nickel (105)	\$ 187
10070102-001		\$ 233
10070102-004	Trim kit for Bodywrap Whirlpool (GTW-4260)	\$ 233
10070102-007	Includes: 2 lumbar jet covers, 6 jet covers, 2 suction covers	\$ 233
10070102-084	Available colors: White (001), Bone (004), Biscuit (007), Chrome (084) and Brushed Nickel (105)	\$ 432
10070102-105		\$ 694
10070104-001		\$ 273
10070104-004	Trim kit for Bodywrap Whirlpool (SBW-3672/3360)	\$ 273
10070104-007	Includes: 2 lumbar jet covers, 8 jet covers, 2 suction covers	\$ 273
10070104-084	Available colors: White (001), Bone (004), Biscuit (007), Chrome (084) and Brushed Nickel (105)	\$ 472
10070104-105		\$ 710
10070108-XXX	Trim kit for Homestead Whirlpool (GB-60, KDTS-3260/3060, TS 3660) Includes: 6 jet covers, 1 suction cover Available colors: White (001), Bone (004), Biscuit (007)	\$ 96
10070109-XXX	Trim kit for Homestead Whirlpool (GTW-60, GTWT-4260) Includes: 8 jet covers, 1 suction cover Available colors: White (001), Bone (004), Biscuit (007)	\$ 109

SHOWERS

No	Description	List Price
10005571-XXX	Gelcoat Repair Kit Standard Colors: White (002), Bone (004), Biscuit (007)	\$ 103
10005571-XXX	Gelcoat Repair Kit Non Standard Color	\$ 103
10028726	Light for Roofcap	\$ 199
10023942-084	Curved Shelf Rails (for 2)	\$ 154
10023942-105	Available colors: Chrome (084) and Brushed Nickel (105)	\$ 187

List of Accessories

GRAB BARS

No	Modern style grab bars without flange ¹	List Price
10028764-XXX	18 in. Modern Straight Grab Bar Specify colors: White (002), Chrome (084), Brushed Nickel (105)	\$ 152
10028765-XXX	24 in. Modern Straight Grab Bar Specify colors: White (002), Chrome (084), Brushed Nickel (105)	\$ 163
10029248-XXX	30 in. Modern Straight Grab Bar Specify colors: White (002), Chrome (084), Brushed Nickel (105)	\$ 174
10029983-XXX	36 in. Modern Straight Grab Bar Specify colors: White (002), Chrome (084), Brushed Nickel (105)	\$ 194
10029984-XXX	42 in. Modern Straight Grab Bar Specify colors: White (002), Chrome (084), Brushed Nickel (105)	\$ 204
10029985-XXX	48 in. Modern Straight Grab Bar Specify colors: White (002), Chrome (084), Brushed Nickel (105)	\$ 217
10029251-XXX (LH) 10029252-XXX (RH)	23 in. Modern Curved Grab Bar Specify colors: White (002), Chrome (084), Brushed Nickel (105)	\$ 260
10029253-XXX (LH) 10029254-XXX (RH)	32 in. Modern Curved Grab Bar Specify colors: White (002), Chrome (084), Brushed Nickel (105)	\$ 282
10029986-XXX (LH) 10029987-XXX (RH)	37 in. Modern Curved Grab Bar Specify colors: White (002), Chrome (084), Brushed Nickel (105)	\$ 319
10029288-XXX	Pivot Grab Bar Specify colors: White (002), Chrome (084), Brushed Nickel (105)	\$ 1,119
No	Traditional style grab bars without flange ¹	List Price
10020341-106	18" Straight Grab Bar in Textured Stainless Steel	\$ 171
10020340-106	24" Straight Grab Bar in Textured Stainless Steel	\$ 179
10020339-106	30" Straight Grab Bar in Textured Stainless Steel	\$ 190
10020336-106	48" Straight Grab Bar in Textured Stainless Steel	\$ 245
10029840-106	27" x 37" Horizontal L-Shaped Grab Bar in Textured Stainless Steel	\$ 244
10020338-106	34" x 18" Horizontal L-Shaped Grab Bar in Textured Stainless Steel	\$ 222
10029841-106	37" x 33" Horizontal L-Shaped Grab Bar in Textured Stainless Steel	\$ 255
10029842-106	27" x 60" x 27" U-Shaped Grab Bar in Textured Stainless Steel	\$ 385
10029843-106	34" x 18" x 33" U-Shaped Grab Bar in Textured Stainless Steel	\$ 406

List of Accessories (cont'd)

GRAB BARS (cont'd)

No	Modern style grab bars with flanges front installation ²	List Price
10029996-XXX	18 in. Modern Straight Grab Bar with Flange (front installation) Specify colors: White (002), Chrome (084), Brushed Nickel (105)	\$ 163
10029997-XXX	24 in. Modern Straight Grab Bar with Flange (front installation) Specify colors: White (002), Chrome (084), Brushed Nickel (105)	\$ 174
10029998-XXX	30 in. Modern Straight Grab Bar with Flange (front installation) Specify colors: White (002), Chrome (084), Brushed Nickel (105)	\$ 185
10029999-XXX	36 in. Modern Straight Grab Bar with Flange (front installation) Specify colors: White (002), Chrome (084), Brushed Nickel (105)	\$ 204
10030084-XXX	42 in. Modern Straight Grab Bar with Flange (front installation) Specify colors: White (002), Chrome (084), Brushed Nickel (105)	\$ 217
10030086-XXX	48 in. Modern Straight Grab Bar with Flange (front installation) Specify colors: White (002), Chrome (084), Brushed Nickel (105)	\$ 228
10030093-XXX (LH) 10030094-XXX (RH)	23 in. Modern Curved Grab Bar with Flange (front installation) Specify colors: White (002), Chrome (084), Brushed Nickel (105)	\$ 271
10030095-XXX (LH) 10030097-XXX (RH)	32 in. Modern Curved Grab Bar with Flange (front installation) Specify colors: White (002), Chrome (084), Brushed Nickel (105)	\$ 293
10030100-XXX (LH) 10030101-XXX (RH)	37 in. Modern Curved Grab Bar with Flange (front installation) Specify colors: White (002), Chrome (084), Brushed Nickel (105)	\$ 330

SEATS

No	Seats	List Price
10028917-XXX	Rectangular Fold-Down White Polyurethane Seat Specify trimming colors: White (002), Chrome (084), Brushed Nickel (105)	\$ 460
10020384 10020364	30" L-Shaped Fold up Phenolic White Seat with Stainless Steel Frame	\$ 677
10020382 10020362	36" L-Shaped Fold up Phenolic White Seat with Stainless Steel Frame	\$ 704
10020368-XXX	Rectangular Fold-Up Phenolic Seat with Stainless Steel Frame Specify seat colors: White (002), Teak (185)	\$ 676
10020535-XXX	Rectangular Removable Phenolic Seat Specify seat colors: White (002), Teak (185)	\$ 563
10020365	Rectangular Fold-Up White Naugahyde Seat with Stainless Steel Frame	\$ 704

FAUCETS

No	Faucet kits	List Price
10031718-XXX	Pressure Balance Mixing Valve & Hand-Held Shower, 24" Slide Bar and 60" Hose Specify colors: Chrome (084), Brushed Nickel (105)	\$ 655
10031719-084	Pressure Balance Mixing Valve & Hand-Held Shower, 36" Slide Bar and 60" Hose Specify colors: Chrome (084), Brushed Nickel (105)	\$ 728

1. Rear access grab bar installation. Must be secured onto unit prior to alcove unit insert.
2. Front grab bar installation. Can be secured after alcove unit insert.

List of Accessories (cont'd)

CURTAIN RODS AND CURTAINS

No	Curtain rods	List Price
10032510-084	Curtain Rod for OPTS-6032 in Chrome	\$ 77
10032244-084	Curtain Rod for OPS-6030, OPS-6030-RS, OPS-6036 & OPS-6036 in Chrome	\$ 82
10023161-084	Curtain Rod for OPS-3636 & OPS-3636-RS in Chrome	\$ 60
10023162-XXX	Curtain Rod for OPTS-60323G-2P Specify colors: Chrome (084), Stainless Steel (106)	\$ 81
10032243-XXX	Curtain Rod for OPS-6034G Specify colors: Chrome (084), Stainless Steel (106)	\$ 86
10032242-XXX	Curtain Rod for OPS-5634G Specify colors: Chrome (084), Stainless Steel (106)	\$ 81
10032241-XXX	Curtain Rod for OPS-4836G Specify colors: Chrome (084), Stainless Steel (106)	\$ 74
10032511-XXX	Curtain Rod for OPS-3636G Specify colors: Chrome (084), Stainless Steel (106)	\$ 63
No	Curtain	List Price
10020632-002	36" White Vinyl Shower Curtain wuth Stainless Steel Hooks	\$ 82
10007608-002	48" White Vinyl Shower Curtain wuth Stainless Steel Hooks	\$ 92
10020633-002	60" White Vinyl Shower Curtain wuth Stainless Steel Hooks	\$ 120
No	Other	List Price
10000012-XXX	Recessed Soap Dish Specify colors: White (001), Chrome (084)	\$ 92
10000064	Solid Brass Drain with Chrome Stainless Steel Grid	\$ 39

Replacement Parts

No	MULTI-PIECE UNITS	Std	Non-Std
142049-000	Replacement Side Wall (Left) for KDTS-2954 / KDTS-3060 / KDS-3060	\$ 136	\$ 161
142050-000	Replacement Side Wall (Right) for KDTS-2954 / KDTS-3060 / KDS-3060		
142052-000	Replacement Side Wall (Left) for KDTS-3260	\$ 123	\$ 148
142053-000	Replacement Side Wall (Right) for KDTS-3260		
142055-000	Replacement Side Wall (Left) for KDS-3232 / KDS-3636	\$ 154	\$ 179
142056-000	Replacement Side Wall (Right) for KDS-3232 / KDS-3636		
142058-000	Replacement Side Wall (Left) for KDS-3448 / KDS-3460	\$ 140	\$ 165
142059-000	Replacement Side Wall (Right) for KDS-3448 / KDS-3460		
141196-000	Replacement Base only for KD-NAS	\$ 387	\$ 437
141197-000	Replacement Wall section for KD-NAS	\$ 491	\$ 541
No	ONE-PIECE BATHTUBS	Std	Non-Std
141166-000	Replacement Access Panel for GT-6060AP	\$ 163	\$ 213

List of Footnotes

FOR BATHTUBS, TUB SHOWERS AND SHOWERS (INCLUDING SECTIONAL)

No	Description
1.	Handles for standard color tub showers and showers are color-coordinated. Handles with metallic finish can be added (additional charge applies). For non-standard color tub showers, please specify handle color (additional charge applies for metallic finishes).
2.	Components for standard color units equipped with Homestead systems are color-coordinated. Please note that the positioning of the system's control could be in conflict with the door if one was installed on the unit. To insure compatibility, please contact customer service.
3.	Components for standard color bathtubs equipped with Bodywrap whirlpool are color-coordinated. Trim kit with metallic finish can be added, please order OPT20209 and specify trim kit color. Please note that the positioning of the system's control could be in conflict with the door if one was installed on the unit. To insure compatibility, please contact customer service.
4.	The pump on opposite side of standard location will exceed the bathtub dimensions from 8 to 10 inches. On center drain model or regular pump position the pump will exceed the bathtub dimensions by 2 1/8 inches.
5.	Pump on standard location will exceed the bathtub dimensions by 2 1/8 inches.
6.	Please see technical drawings for grab bar positioning.
8.	Right/Left refers to the pivot direction of the bar (from closed to open position).
9.	Please see technical drawings for reinforcement positioning and size.
13.	Tub shower with center drain comes with no shelves.
14.	Tub shower with R/L drain comes with back wall built-in shelves and clear acrylic bar.

FOR OUTLOOK PLUS UNITS






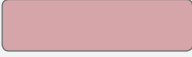


No	Description
1.	Unless otherwise specified, left or right-hand drain determines seat, grab bar and options positioning. Note that right-hand drain inverses seat and grab bar positioning.
2.	Unless otherwise specified, left or right-hand seat determines grab bars and options positioning. Note that left-hand seat inverses grab bars positioning.
4.	Optional bars and seats can be customized on a base model only. For kitted versions, bars and seats are pre-determined.
5.	Maximum one seat per unit. See model description.
6.	Please see technical drawings for grab bar positioning.
7.	Right/Left refers to the upper section of the curved bar.
8.	The curtain clearance from the floor is 3 in.
10.	Fold-down seat only available when shower ordered with no integrated seat. Please specify R/L seat positioning.
11.	Please specify R/L valve positioning
12.	It cannot be installed with 37 in. Curved grab bar
15.	Installation height: Center of bar 33 1/2 inches from unit floor.
16.	Please see technical drawings on www.maax.com for grab bar and seat positioning.



General Information

COLOR CHART.

GELCOAT	
Standard Colors	
AKER Colors	Other Manufacturer Colors
White (002) – Gelcoat	 All Manufacturers
Bone (004)	 Bone (American Standard–Gerber–Toto) Classic Bone (Mansfield) Natural (Eljer) Wheat (Gerber)
Biscuit (007)	 Linen (AmericanStandard) Biscuit (Kohler–Mansfield) Silk (Eljer) British Biscuit (Gerber) Sedona Beige (Toto)

GELCOAT			
Non-Standard Colors			
AKER Colors	Other Manufacturer Colors	AKER Colors	Other Manufacturer Colors
Black (015)	 Black (American Standard–Kohler–Gerber–Mansfield) Onyx (Eljer) Ebony (Toto)	Ruby (073)	 Ruby (Eljer)
Day Dream (023)	 Day Dream (American Standard)	Sea Foam Green (034)	 Sea Foam Green (Kohler)
Dresden Blue (021)	 Dresden Blue (American Standard)	Sterling Silver (006)	Classic Silver (Mansfield) Gray (Toto)
Dusty Rose (071)	 Dusty Rose (Eljer)		Platinum (Eljer) Silverado (Gerber) Sterling Silver (American Standard)
Glacier Blue (024)	 Glacier Blue (Eljer)	Thunder Gray (019)	 Thunder Gray (Kohler)

MAINTENANCE.

AKER uses **durable, high quality materials and innovative technology** in manufacturing and design of its products to reduce the time needed to spend cleaning and caring for them. However, proper and regular maintenance is still vital.

Follow these general use and maintenance tips, as well as any that come with the AKER products, and you will be rewarded with years of great service.

Bathtub / tub shower / shower / shower bases maintenance

- ✓ **Wipe down after every use** with a squeegee or soft cloth. This reduces the buildup from soap, bath additives, natural body oils and mineral deposits in water, making cleaning easy and helping to maintain the unit's natural luster.
- ✓ **Clean regularly** with a non-abrasive cleaning spray or cream-based cleansing agent. Never use abrasive cleansers, scrapers, metal brushes, or anything that could scratch or dull the surface.
- ✓ **Add luster to and remove fine scratches** from tub and shower surfaces by cleaning and polishing regularly with regular car wax. However, avoid waxing tub and shower bottoms as these could become slippery.
- ✓ **Remove plaster residue** with a plastic or wooden spatula wrapped in a moist cloth.
- ✓ **Repair nicked or damaged surfaces** immediately using MAAX repair kits for gelcoat surfaces.



Whirlpool system maintenance

Clean piping and pump monthly. Fill the bathtub with hot water (max. 104°F/40°C) to two inches (5 cm) above the jets, add the cleansing agent, and turn on the whirlpool system for 20 minutes. Empty the bathtub. Use cold water to rinse, turning the system back on for 20 minutes, while keeping the air controls turned off.

Important Tip

Use therapeutic products with caution such as bath oils, salts and bubble bath. They may damage your tub's system and finish, especially when applied non-diluted and directly in the bath. Read directions on these products closely and, if needed, test prior to use.

Terms, Conditions and Warranties

Price

Orders are accepted subject to prices in effect at the time of shipment of this price list and prices are subject to change without notice. The published pricing schedule shows suggested list prices and is subject to a trade discount as determined by MAAX Bath Inc. (hereafter "MAAX"). Orders will be invoiced at the price in effect at the time the orders are placed. Selling prices may be readjusted without notice during the year, for instance if transportation costs increase due to fuel surcharges.

Conditions of acceptance

The acceptance, shipment or delivery of any order is conditional upon approval of MAAX's credit department and upon these sales terms and conditions applying to the order and not any others, unless specifically agreed to in writing by MAAX. MAAX reserves the right to require satisfactory security for performance of the purchaser obligations prior to making shipment on any order. Any sold merchandise remains the property of MAAX until full payment is received, in accordance with applicable laws, such as the Uniform Commercial Code —Sales in the United States.

Terms of payment

General payment terms are net 30 days. A rate of 2% monthly (26.82% per annum, compounded monthly) will apply on overdue accounts. No goods will be delivered to customers not complying with our sales and payment conditions.

Taxes

All prices published are exclusive of applicable taxes.

Lost merchandise

If, upon receipt, the recipient notices that certain products are missing, he must immediately notify our customer service department. The recipient must then indicate which products are missing on the delivery slip and countersign it. The enclosed bill of lading allows you to verify shipped and received merchandise.

Shipping damage

Damage occurring in transit is the responsibility of the carrier. MAAX will not be held responsible for shipping damage. The product should be carefully examined by the user or installer at time of receipt to ensure it is damage free. If any damage is discovered, it should be noted on the freight bill, and a claim should be filed against the carrier as soon as possible. Inspection of the unit prior to installation is the responsibility of the installer or building contractor who acts on behalf of the user, or the user himself. They are responsible for ensuring that the unit is free of defect or damage. In the event of a problem, the unit must not be installed. MAAX is not responsible for failures, costs, damages or claims that could have been discovered, repaired or avoided by proper inspection and testing prior to installation.

Return Policy (other than doors)

MAAX provides a selective and conditional merchandise return program. Product may be returned to MAAX under the following conditions:

- Product is in original, new condition – not previously installed or used as display;
- Product has been in the customer's possession for less than 8 weeks;
- Product is still available in the most current price list (not discontinued) or has not been announced for discontinuation;
- Product is in a standard color or finish, as indicated in the most current price list;
- Any stock product may be returned. To know if a product is a stock unit, please contact the customer care department; and
- Product was received in error, does not represent what the customer ordered or has a manufacturing defect.

Products are not eligible for return to MAAX under the following conditions:

- Product has been previously installed, drilled, permanently marked, spray painted, or in any other way altered from its original condition. Product is "weathered" degraded due to storage outside or exposure to the elements resulting in discoloration;
- Product is defective due to negligent storage; or
- Product is equipped with any accessories or options.

Prior to returning merchandise a MAAX customer must complete and

submit the RGA Request Form supplying general and specific information about the unit(s) for return. MAAX must then authorize and approve the return in writing by issuing an RGA number.

All products are subject to inspection prior to credit reimbursement, and MAAX reserves its right to reduce such reimbursement as follows:

- MAAX will apply a 50% restocking fee against the reimbursement credit for all returns for any reason other than manufacturing defect or MAAX error.
- A repair cost will be applied against the credit reimbursement for any repair required to bring a product back to 100% resalable condition. In these circumstances the customer will be notified.
- Any unit returned via common carrier must have the freight prepaid by the customer.
- For any product returned that does not qualify for return as specified above or does not match the RGA form, MAAX will charge a \$25 per unit handling fee. MAAX will notify customers in such instances and the customer will be requested to either take the unit back with freight prepaid and charged or notify MAAX in writing of their desire that it be scrapped.

Door Return policy

MAAX provides a selective and conditional merchandise return program. Product may be returned to MAAX under the following conditions:

- Product is in original, new condition – not previously installed or used as display;
- Product has been in the customer's possession for less than 12 months;
- Product is still available in the most current price list (not discontinued) or has not been announced for discontinuation;
- Product is in a standard color or finish, as indicated in the most current price list;
- Any stock product may be returned. To know if a product is a stock unit, please contact the customer care department; and
- Product was received in error, does not represent what the customer ordered or has a manufacturing defect.

Products are not eligible for return to MAAX under the following conditions:

- Product has been previously installed, drilled, permanently marked, spray painted, or in any other way altered from its original condition;
- Product is "weathered"; degraded due to storage outside or exposure to the elements resulting in discoloration;
- Product is defective due to negligent storage; or
- Product is equipped with any accessories or options.

Prior to returning merchandise a MAAX customer must complete and submit the RGA Request Form supplying general and specific information about the unit(s) for return.

MAAX must then authorize and approve the return in writing by issuing an RGA number.

All products are subject to inspection prior to credit reimbursement and MAAX reserves the right to reduce such reimbursement as follows:

- MAAX will apply a 25% restocking fee against the reimbursement credit for all returns for any reason other than manufacturing defect or MAAX error.
- A repair cost will be applied against the credit reimbursement for any repair required to bring a product back to 100% resalable condition. In these circumstances the customer will be notified.
- Any unit returned via common carrier must have the freight prepaid by the customer to the closest participating plant. Contact customer service to locate closest participating plant.

Cancellation

Orders must be cancelled within 24 hours of receipt of MAAX's confirmation. All cancellation requests must be made by fax and be confirmed by MAAX.

Design and dimensions

MAAX reserves the right to discontinue products at any time or change specifications and/or design without notice and without incurring obligation. All dimensions are approximate and subject to change without notice.

Terms, Conditions and Warranties (cont'd)

CLIENT SHALL INFORM OWNER/END-USER ABOUT THE FOLLOWING CONDITIONS AND WARRANTIES

Color variations

MAAX shall not be responsible for variations in granite color, wood grain, or color shades in the natural wood used; or for slight differences in color or texture of the material delivered in relation to the sample shown or provided to the purchaser. The purchaser may not use such differences to obtain a price discount or to cancel the order.

Product image variation

MAAX shall not be responsible for small variations in photography from actual product.

- Actual product may vary slightly from product shown on images without notice.
- Actual product colors, including Utile wall colors, may vary from colors shown on your monitor and on printed representations, as well as what appears online.

Maintenance

Regular disinfection provides an effective defence against various types of bacteria that can develop in the deposits building up over time in all bathtubs and showers. For daily maintenance cleaning, use a moist cloth and gentle liquid detergent. For acrylic surfaces, occasional use of a special acrylic surface cleaner such as Lumashine or Lumacream will add lustre and protect the finish.

Certain types of therapeutic products when added to bath water, or if applied non-diluted directly in the bath, may damage the unit finish. Test the product on a small inconspicuous surface prior to use.

Do not use abrasive cleaners, scrapers, metal brushes, or any items or products that could scratch or dull the surface. Mirror should be cleaned with non-ammonia based cleaner only.

Limited warranty

MAAX offers the following express limited warranties on its products. These warranties extend only to the original owner/end-user for personal household use and start from the manufacturing date of the unit. For commercial uses, additional limitations apply.

MAAX warrants **acrylic units** to be free from defects in workmanship and materials under normal use and service for a period of twenty five (25) years from the initial date of purchase by the owner/end-user, contractor or builder from an authorized dealer.

MAAX warrants **acrylic** shower kits to be free from defects in workmanship and materials under normal use and service for a period of ten (10) years from the initial date of purchase by the owner/end-user, contractor or builder from an authorized dealer.

MAAX warrants **Utile wall units** to be free of all material or workmanship defects under normal use and service for a period of ten (10) years from the initial date of purchase by the owner/end-user, contractor or builder from an authorized dealer.

MAAX warrants **fiberglass units** to be free from defects in workmanship and materials under normal use and service for a period of five (5) years from the initial date of purchase by the owner/end-user, contractor or builder from an authorized dealer.

MAAX warrants **ABS** to be free from defects in workmanship and materials under normal use and service for a period of three (3) years from the initial date of purchase by the owner/end-user, contractor or builder from an authorized dealer.

MAAX warrants **polystyrene** shower kits, tub wall kits, utility tubs and accessories to be free from defects in workmanship and materials under normal use and service for a period of one (1) year from the initial date of purchase by the owner/end-user, contractor or builder from an authorized dealer.

MAAX warrants **whirlpool motors/pumps** to be free from defects in workmanship and materials under normal use and service for a period of five (5) years from the initial date of purchase by the owner/end-user, contractor or builder from an authorized dealer.

MAAX warrants **blowers** to be free from defects in workmanship and materials under normal use and service for a period of five (5) years from the initial date of purchase by the owner/end-user, contractor or builder from an authorized dealer.

MAAX warrants **whirlpool and air systems** (except perimeter air system check

valves that have a 25-year warranty – see below) to be free from defects in workmanship and materials under normal use and service for a period of two (2) years from the initial date of purchase by the owner/end-user, contractor or builder from an authorized dealer.

MAAX warrants **perimeter air system check valves** to be free from defects in workmanship and materials under normal use and service for a period of twenty five (25) years from the initial date of purchase by the owner/end-user, contractor or builder from an authorized dealer.

MAAX warrants **shower doors** to be free from defects in workmanship and materials under normal use and service for a period of ten (10) years* from the initial date of purchase by the owner/end-user, contractor or builder from an authorized dealer. Shower door sealing materials and gaskets are not covered by this warranty. *Mika door has a limited 1 year warranty.

MAAX warrants **grab bars** to be free from defects in workmanship and materials under normal use and service for a period of one (1) year from the initial date of purchase by the owner/end-user, contractor or builder from an authorized dealer.

MAAX warrants **ceramic cartridges** for faucets against any leaks resulting from normal use by the owner/end-user, contractor or builder for a limited lifetime period.

MAAX warrants **thermostatic polysulfone cartridges** to be free from defects in workmanship and materials under normal use and service for a lifetime warranty from the initial date of purchase by the owner/end-user, contractor or builder from an authorized dealer.

MAAX warrants **shower massage systems** to be free from defects in workmanship and materials under normal use and service for a period of five (5) years from the initial date of purchase by the owner/end-user, contractor or builder from an authorized dealer.

MAAX warrants **steam systems** to be free from defects in workmanship and materials under normal use and service for a period of five (5) years, and **steam nozzles** for two (2) years, from the initial date of purchase by the owner/end-user, contractor or builder from an authorized dealer.

MAAX warrants **Chrome, Polished Brass and Brushed Nickel faucet finishes** to be free from defects in workmanship and materials under normal use and service by the owner/end-user, contractor or builder for lifetime warranty from the initial date of purchase.

MAAX warrants **medicine cabinets** to be free from defects in workmanship and materials under normal use and service for a period of five (5) years from the initial date of purchase by the owner/end-user, contractor or builder from an authorized dealer.

MAAX warrants **storage modules** and vanities to be free from defects in workmanship and materials under normal use and service for a period of five (5) years from the initial date of purchase by the owner/end-user, contractor or builder from an authorized dealer.

MAAX warrants **glass mirrors** to be free from defects in workmanship and materials under normal use and service for a period of two (2) years from the initial date of purchase by the owner/end-user, contractor or builder from an authorized dealer.

MAAX warrants **electrical components**, including chromatherapy systems, to be free from defects in workmanship and materials under normal use and service for a period of two (2) years from the initial date of purchase by the owner/end-user, contractor or builder from an authorized dealer.

MAAX warrants the **factory treated wood parts** to be free from defects in workmanship and materials under normal use and service for a period of two (2) years from the initial date of purchase by the owner/end-user, contractor or builder from an authorized dealer.

Any product reported to the authorized dealer or to MAAX as being defective within the warranty period will be repaired or replaced (with a product of equal value) at the option of MAAX. Costs for freight associated with shipping of replacement product/parts might be charged to customer. In no event will MAAX be liable for the cost of repair or replacement of any installation materials, including but not limited to, tiles, marble, etc. This warranty extends to the original owner/end-user and is not transferable to a subsequent owner.

Neither the distributor, authorized MAAX dealer nor any other person has been authorized to make any affirmation, representation or warranty other than those contained in this warranty shall not be enforceable against

Terms, Conditions and Warranties (cont'd)

MAAX or any other person.

MAAX reserves the right to modify this warranty at any time, it being understood that such modification will not alter the warranty conditions applicable at the time of the sale of the products in question.

Limitations

This warranty shall not apply following incorrect operating procedures, breakage or damages caused by normal wear and tear, fault, carelessness, abuse, misuse, misapplication, improper maintenance, alteration or modification of the unit, as well as chemical or natural corrosion, accident, fire, flood, act of God or any other casualty. This warranty shall not apply to stain or malfunction caused by ferrous water, hard water or salty water.

The owner/end-user of the product covered by this warranty is entirely responsible for its proper installation and electrical wiring. This warranty is void if unit is not tested prior to final enclosure as per the installation instructions. MAAX neither installs nor supervises the installation, nor hires a contractor for this purpose, and consequently cannot be held responsible for any defect, breakage or damage caused thereby or resulting thereof, either directly or indirectly. The owner/end-user must provide access to the components of the product as described in the installation guide, so that MAAX can execute the warranty specified herein.

If such access is not available, all expenses to provide said access will be the responsibility of the owner/end-user.

This warranty does not apply to products or equipment not installed or operated in accordance with instructions supplied by MAAX and all applicable rules, regulations and legislation pertaining to such installations.

MAAX strongly recommends that its products—for example, but without limitation, shower doors and other items—be installed by professionals with experience in bathroom products. Installation of shower doors by an inexperienced person may result in glass breakage and, consequently, cause personal injury or death.

MAAX is not liable for any costs, damages or claims resulting from the purchase of products that do not fit through openings or existing structures. MAAX is not liable for any costs, damages or claims resulting from defects that could have been discovered, repaired or avoided by inspection and testing prior to installation.

MAAX is not liable for personal injuries or death to any person or for any direct, special, incidental or consequential damage, loss of use, loss of time, loss of profits, inconvenience, incidental expenses, labour or material charges, or any other costs resulting from the use of its products or pertaining to the application of the present warranty, or resulting from the removal or replacement of any product or element or part covered by this warranty.

EXCEPT AS OTHERWISE PROVIDED ABOVE, MAAX MAKES NO WARRANTIES, EXPRESS OR IMPLIED, INCLUDING WARRANTIES OF MERCHANTABILITY AND FITNESS FOR A PARTICULAR PURPOSE OR COMPLIANCE WITH ANY CODE.

In any case, MAAX cannot be liable for any amount over and above the purchase price paid for the product by the owner/end-user, contractor or builder.

All options that are not sold separately as accessories must be factory installed. Otherwise, warranty does not apply.

This warranty gives the owner/end-user specific legal rights. The owner/end-user may also have other rights which vary from one state and/or province to another.

Commercial Limitations

In addition to the above conditions and limitations, the warranty period for products installed for commercial applications or used in commercial ventures is of one (1) year from the initial date of purchase by the owner/end-user, contractor or builder from an authorized dealer. If the product is sold by MAAX as a display, MAAX standard warranty applies.

Warranty Service

In order to obtain service provided under this warranty during regular business hours, contact the dealer or distributor who sold the unit, or MAAX directly. MAAX will provide the warranty service described above when the following conditions have been met:

- (1) the failure is of the nature or type covered by the warranty;
- (2) the user has informed an authorized MAAX Agent or Warranty Service

Department representative, of the nature of the problem during the warranty period;

- (3) conclusive evidence (e.g., serial number or proof of purchase) is provided to the foregoing by the user proving that the failure occurred or was discovered within the warranty period; and
- (4) an authorized independent service person or company representative has been permitted to inspect the product during regular business hours within a reasonable time after the problem was reported by the user.

MAAX's warranty obligation shall be discharged upon tender of replacement or repair. The purchaser refusal to accept the tender terminates MAAX's warranty obligation. Any product replaced or repaired during the warranty period will be covered during the remaining period of the original warranty.

MAAX products are certified by one or more of the following certification agencies: UL, IAPMO, INTERTEK (ETL) and WARNOCK HERSEY. Certain models are pending certification approval. Certification may be ended by MAAX or certification agencies without notice.



The symbol ®/R indicates a registered trademark of MAAX Bath Inc. or an affiliated company. The symbol TM indicates a trademark of MAAX Bath Inc. or an affiliated company.

© MAAX Bath Inc., 2017



SERVICE REQUEST FORM

MAAX US CORP / TECHNICAL SERVICES DEPARTMENT

718 Mid-Atlantic Parkway
Martinsburg, WV 25404

Fax: (304) 263-2379
akertechnicalservices@maax.com

IMPORTANT INSTRUCTIONS

WHEN REQUESTING SERVICE

- 1. CONFIRM PRODUCT IDENTITY PRIOR TO SUBMITTING SERVICE FORM.**
Confirm the unit to be serviced is a MAAX product. If a service technician or agency is dispatched and finds the unit not to be a MAAX product, service will NOT be performed and a charge will be assessed for the appointment.
- 2. REVIEW & FILL IN THE FORM INFORMATION AS REQUESTED.**
Fill out the request form completely and legibly. Incomplete forms will NOT be processed. Technical Services will contact the customer and/or representative to obtain missing or additional information.
- 3. FAX OR EMAIL THE COMPLETED FORM TO THE MAAX SERVICE DEPARTMENT.**
Keep original form for your records.

AT THE TIME OF SCHEDULED SERVICE

- A. THE UNIT SURFACE MUST BE CLEAN.**
Surface repairs CANNOT be made on a dirty surface. Service technician or agency are not responsible for general surface cleaning of the unit prior to repair.
- B. ELECTRIC SERVICE MUST BE AVAILABLE AT THE UNIT SITE.**
Service technician or agency require electrical power to connect work lights, handheld tools and testing equipment for various service tasks.
- C. AIR TEMPERATURE MUST BE AT LEAST 65 DEGREES AT THE UNIT SITE.**
Materials used in the repair process will not cure properly below 65 degrees.

PLEASE MAKE COPIES FOR FUTURE REPAIRS THAT ARE NEEDED.





MAAX RETURN GOODS AUTHORIZATION (RGA) POLICY

RETURN GUIDELINES

MAAX provides a selective and conditional merchandise return program. Product may be returned to MAAX under the following conditions:

- Product can be returned providing it meets MAAX return policy.
- Product is in original, new condition – not previously installed or used as display.
- Product has been in the customer's possession for less than 8 weeks.
- Product is still available in the most current price list (not discontinued) or has not been announced for discontinuation.
- Any stock product may be returned. To know if a product is a stock unit, please contact the customer service department.
- Product was received in error or does not represent what the customer ordered.
- Product has a manufacturing defect.

Products **are not eligible** for return to MAAX under the following conditions:

- Product that does not meet MAAX return policy.
- Product has been previously installed, drilled, permanently marked, spray painted, or in any other way altered from its original condition. Removable grease pencil is permitted.
- Product is "weathered"; degraded due to storage outside or exposure to the elements resulting in discoloration.
- Product is defective due to negligent storage.

RETURN CONDITIONS

- Prior to returning merchandise a MAAX customer must complete and submit the RGA Request Form supplying general and specific information about the unit(s) for return. MAAX must then authorize and approve the return in writing by issuing an RGA number.
- All products are subject to inspection prior to credit reimbursement.
- MAAX will apply a 50% restocking fee against the reimbursement credit for all returns for any reason other than manufacturing defect or MAAX error.
- A repair cost will be applied against the credit reimbursement for any repair required to bring a product back to 100% resalable condition. In these circumstances the customer will be notified.
- Any unit returned via common carrier must have the freight prepaid by the customer.
- For any product returned that does not qualify for return as specified above or does not match the RGA form, MAAX will charge a \$25 per unit handling fee. MAAX will refuse and/or notify customer in such instances. The customer will be requested to either take the unit back with freight prepaid and charged or notify MAAX in writing of their desire that it be destroyed.



For any questions or comments, please contact akercustomer@maax.com

Technical Services

Tel: 1-800-962-2537

Fax: 1-304-263-8369

akertechnicalservices@maax.com

Customer Service

Tel: 1-800-962-2537

Fax: 1-304-263-8369

akercustomer@maax.com

www.akerbymaax.com