



## Price List

USA



Effective June 1<sup>st</sup>, 2017





## Right from the source

**Behind every Prochef sink is the expertise of Julien, which has been crafting stainless steel sinks in Canada for 70 years.** As a true leader in developing innovative products, Prochef's promise to you is quite simply to offer quality. When you choose Prochef, you choose a durable sink that matches your decor, suits your budget, and supports a North American business.

### Promise

Quality, that's what Prochef promises to deliver. We have a team of qualified and dedicated people who listen to your needs to design and create quality products on the cutting edge of innovation.

### Provenance

Julien manufactures the majority of its Prochef products at its Quebec City plant with North American stainless steel. In addition to encouraging local manufacturing, our geographic location also allows us to cut shipping costs. That means shorter delivery times for your orders.

### Promotion

Prochef offers a line of products for every price range. With our wide variety of modern designs, you are sure to find a sink that matches your decor, your budget, and your lifestyle.

### Projects

Whether it's for a renovation, a new residence, or kitchens in a condo building, Prochef has the sink you need for your project. With our large production capabilities, we can deliver orders for any scale projects in a timely manner.

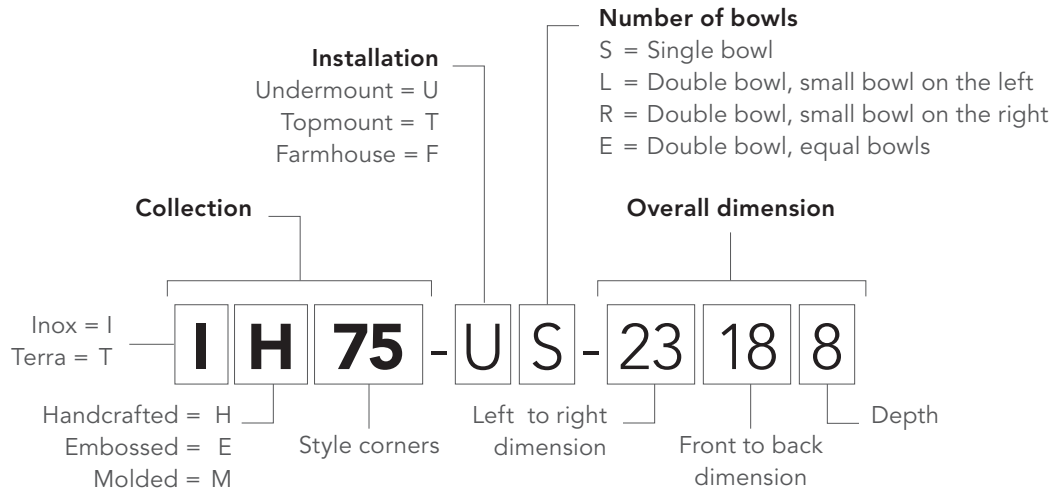
### Products

Our ProInox series sinks are made from premium quality recycled and fully recyclable stainless steel and are offered in many styles, from urban to transitional. Inspired by kitchens of yesteryear, our ProTerra sinks are made of fireclay and will add a splash to your decor with their glossy white finish.

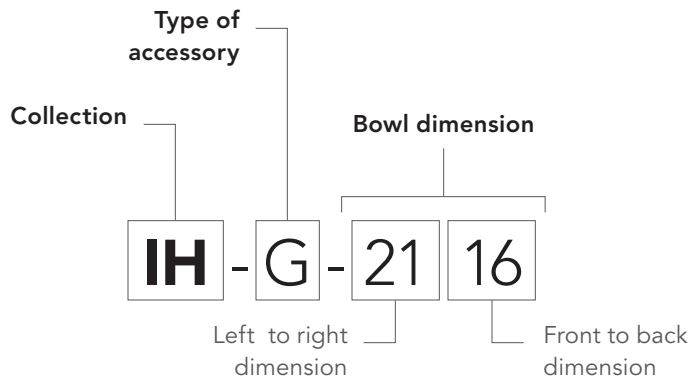
## How to read a product number

Product numbers follow the same logic and include all the information on the collection, the installation, the dimension and the color of the sink. They are at the top of each specification sheet, in order of size, from the smallest to the largest bowl.

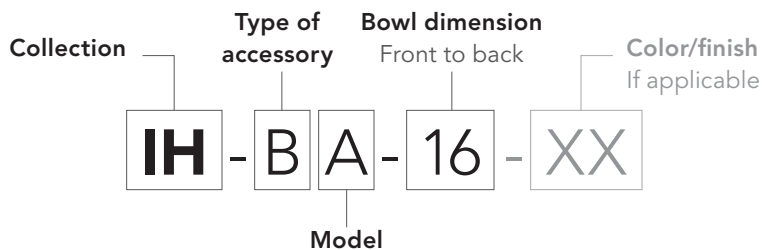
A. Example of a **sink** number:



B. Example of a **grid** number:



C. Example of a **cutting board** number:



# ProInox H0

**Stainless steel kitchen sinks**

**Handcrafted**

Urban style corners [0"]

---

## Uncompromising style

Your kitchen is as modern, bold, and avant-garde as you are? You need a sink with a fresh, urban look from the ProInox H0 collection. The sharp corners maximize space in the bowl, unlike standard models which tend to be rounded. These brush finished sinks are handcrafted. If you like clean lines and minimalist designs, you'll love these sinks.





# ProInox H0 Warranty

---

## Sinks

Prochef offers a LIMITED LIFETIME WARRANTY on the fixed components of its ProInox H0 sinks, ensuring them against defects of material and workmanship. This warranty is limited to defects or damages resulting from a normal residential use and does not cover the following:

- Surface corrosion (chemical or natural)
- Scuffs or scratches
- Misuse, abnormal or abusive use
- Dents, deformations caused by the impact of any object
- Common signs of wear and tear
- Improper installation, care and/or maintenance
- Commercial use
- Environmental factors causing damage
- Shipping or freight damage

## Accessories

Prochef offers a 1-YEAR LIMITED WARRANTY on all mobile parts, options and accessories against defects of material and workmanship. This warranty is limited to defects or damages resulting from a normal residential use and does not cover the following:

- Surface corrosion (chemical or natural)
- Scuffs or scratches
- Misuse, abnormal or abusive use
- Dents, deformations caused by the impact of any object
- Common signs of wear and tear
- Improper installation, care and/or maintenance
- Commercial use
- Environmental factors causing damage
- Shipping or freight damage

## Generalities

Prochef may at its sole discretion, repair, replace or make appropriate adjustments to the products or components proven to be defective in order to restore to good working condition.

In no event, even if product or components are found to be defective, shall Prochef's liability exceed the price paid for the product. Prochef reserves the right to inspect the installation prior to the replacement or repair of the product or its component parts. Prochef may at its discretion require pictures prior to analyzing the claim. This limited warranty is null and void if the product or components have been repaired, altered or modified other than by Prochef or under its supervision.

This limited warranty replaces any and all other warranty, expressed or implied, including implied warranties of merchantability or fitness for a particular purpose. Laws governing product warranties may vary from one state or province to another. This warranty is not intended to contravene to the public order and shall not be so interpreted. This limited warranty extends only to the original owner/end user in residential applications and is not transferable to any subsequent purchaser. In the event of a warranty claim, original proof of purchase (sales receipt) will be required. Shipping and handling costs (for returning the product or components for repairs or to replace product or components) are not covered under this limited warranty. Also excluded from this limited warranty is any labour, workmanship or other costs incurred in connection with the product or components removal, repairs, replacement, adjustment or installation and any incidental or consequential damages.

Warranty will be null and void for any damage resulting from installation not respecting the instructions and Prochef will not be held responsible for any costs incurred. In the event of a limited warranty claim, original proof of purchase will be required – save original sales receipt.

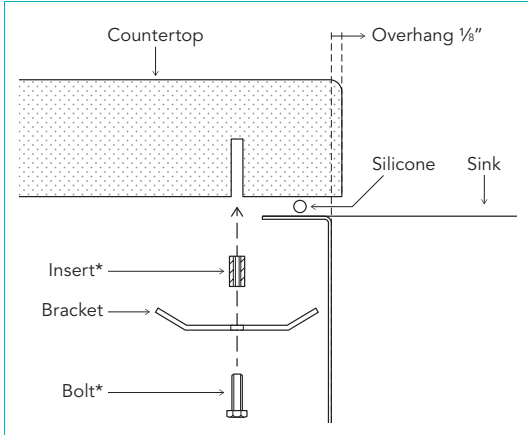
If you believe you have a warranty claim or for more information on the warranty of our products, please contact our customer service.

**1 855 687-8192**  
**customerservice@prochef.ca**

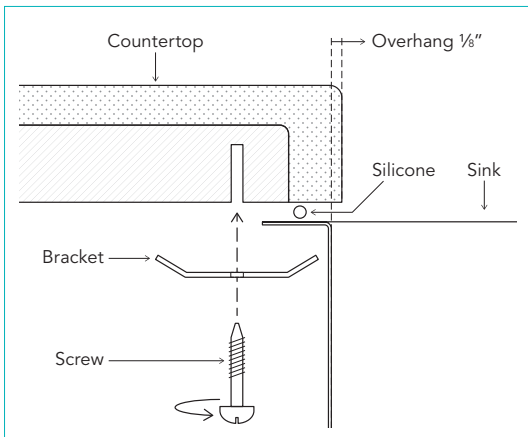
# ProInox H0

## Undermount installation

A. Granite, quartz, marble or other stone surface



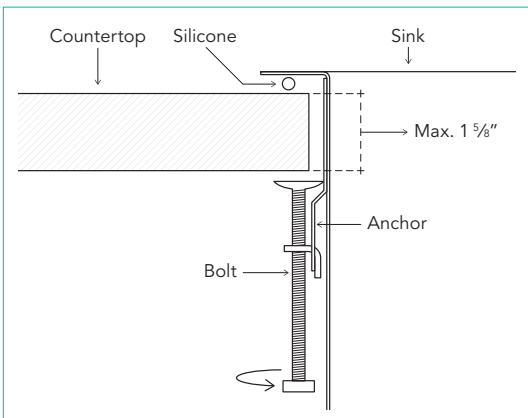
B. Granite, quartz, marble or other stone surface on a wood base



\* Not included

## Topmount installation

Laminate, wood, ceramic tile or other solid surface



## Maintenance

Follow one simple rule to keep your sink in good condition:  
Clean it regularly.

### Daily

Clean the sink with a sponge or a soft cloth.

Use mild soap (dish soap) or an all-purpose, non-abrasive liquid cleanser that contains no chlorines or acid.

Always rinse with warm water and wipe with a dry cloth to prevent calcium buildup.

Use a bottom grid to protect the metal from wear and scratches.

### Precautions

Do not scrub the sink with steel wool or scouring pads.

Do not use abrasive cleansers or products containing chlorines or acid.

Do not use silver polish or grout cleaning products, which can discolor the finish and leave stains.

Use a water and vinegar solution to loosen calcium buildup.

Do not leave mustard, mayonnaise, lemon juice, grease, fat, and other food residue to sit in the sink. Be sure to rinse these aliments with plenty of water.

Do not place a rubber mat on the bottom of your sink. Food, water, and cleaning products can cling to it and create stains.

# ProInox H0

Stainless steel kitchen sinks

Handcrafted

Urban style corners [0°]

---

Undermount






# ProInox H0

Undermount

**Stainless steel kitchen sinks**

**Handcrafted**

Urban style corners [0"]

Cabinet <sup>1</sup>	Bowl	Overall	Model	Price <sup>2</sup>	Grid	Price <sup>2</sup>
21"	 16" x 16" x 8"	18" x 18" x 8"	IH0-US-18188	\$ 610	IH-G-1616	\$ 160
	16" x 16" x 10"	18" x 18" x 10"	IH0-US-181810	\$ 615	IH-G-1616	\$ 160
27"	 21" x 16" x 8"	23" x 18" x 8"	IH0-US-23188	\$ 625	IH-G-2116	\$ 165
	21" x 16" x 10"	23" x 18" x 10"	IH0-US-231810	\$ 635	IH-G-2116	\$ 165
30"	 25" x 16" x 8"	27" x 18" x 8"	IH0-US-27188	\$ 670	IH-G-2516	\$ 170
	25" x 16" x 10"	27" x 18" x 10"	IH0-US-271810	\$ 690	IH-G-2516	\$ 170
36"	 30" x 16" x 8"	32" x 18" x 8"	IH0-US-32188	\$ 745	IH-G-3016	\$ 175
	30" x 16" x 10"	32" x 18" x 10"	IH0-US-321810	\$ 760	IH-G-3016	\$ 175
36"	 15" x 16" x 8" 15" x 16" x 8"	33" x 18" x 8"	IH0-UE-33188	\$ 895	IH-G-1516	\$ 160
	15" x 16" x 10" 15" x 16" x 10"	33" x 18" x 10"	IH0-UE-331810	\$ 895	IH-G-1516	\$ 160
36"	 18" x 16" x 10" 12" x 16" x 8"	33" x 18" x 10"	IH0-UR-331810	\$ 895	IH-G-1816 IH-G-1216	\$ 160 \$ 155

Included: Strainer(s) and mounting hardware.

Freight: \$ 40 per sink. FFA for orders of \$ 2 500 net or more providing order ships complete.

To place an order, contact Customer Service at [customerservice@prochef.ca](mailto:customerservice@prochef.ca).

(1) Recommended cabinet width; please check with cabinet manufacturer.

(2) Manufacturer-recommended retail price in effect on June 1<sup>st</sup>, 2017. Prices are in US dollars.

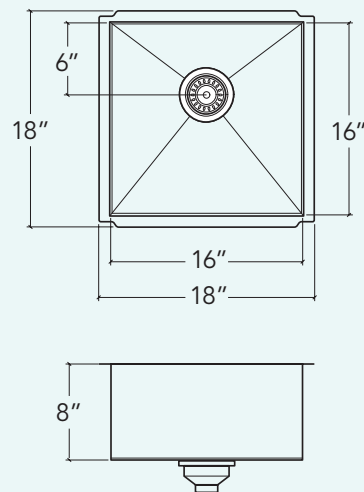
# IH0-US-18188

ProInox H0

**Stainless steel kitchen sink**

**Handcrafted**

Urban style corners [0"]



## Installation

Undermount

## Bowl

16" × 16" × 8"

## Overall

18" × 18" × 8"

## Recommended cabinet

21"

## Drain

Ø 3 ½"

## Packaging

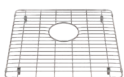
19" × 21 ½" × 13"

19 lbs

## Features

- 304 brushed finish stainless steel (18/10) – 18 gauge
- Sound deadening pads for maximum noise reduction
- Drain located towards rear providing more space under the sink
- Stainless steel strainer (AA-SA-3.5-SA) and mounting hardware included
- Product certified ASME A112.19.3, CSA B45.0, and CSA B45.4

## Must-have accessories



**Grid**  
IH-G-1616



**Colander**  
IH-CA-16



**Bin**  
IH-BI-16



**Wood cutting board**  
IH-BA-16-MA



**Plastic cutting board**  
IH-BB-16-WH

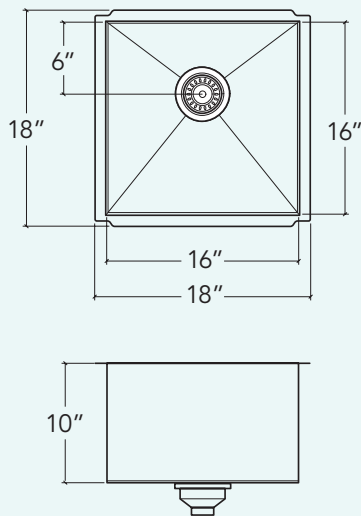
# IH0-US-181810

ProInox H0

**Stainless steel kitchen sink**

**Handcrafted**

Urban style corners [0"]



## Installation

Undermount

## Bowl

16" × 16" × 10"

## Overall

18" × 18" × 10"

## Recommended cabinet

21"

## Drain

Ø 3 ½"

## Packaging

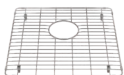
19" × 21 ½" × 13"

20 lbs

## Features

- 304 brushed finish stainless steel (18/10) – 18 gauge
- Sound deadening pads for maximum noise reduction
- Drain located towards rear providing more space under the sink
- Stainless steel strainer (AA-SA-3.5-SA) and mounting hardware included
- Product certified ASME A112.19.3, CSA B45.0, and CSA B45.4

## Must-have accessories



**Grid**  
IH-G-1616



**Colander**  
IH-CA-16



**Bin**  
IH-BI-16



**Wood cutting board**  
IH-BA-16-MA



**Plastic cutting board**  
IH-BB-16-WH

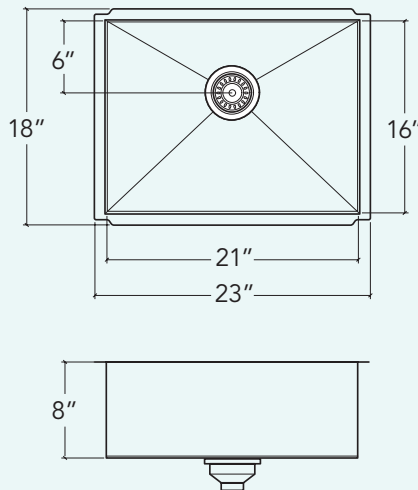
# IH0-US-23188

ProInox H0

**Stainless steel kitchen sink**

**Handcrafted**

Urban style corners [0"]



## Installation

Undermount

## Bowl

21" × 16" × 8"

## Overall

23" × 18" × 8"

## Recommended cabinet

27"

## Drain

Ø 3 ½"

## Packaging

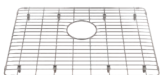
24" × 21 ½" × 13"

22 lbs

## Features

- 304 brushed finish stainless steel (18/10) – 18 gauge
- Sound deadening pads for maximum noise reduction
- Drain located towards rear providing more space under the sink
- Stainless steel strainer (AA-SA-3.5-SA) and mounting hardware included
- Product certified ASME A112.19.3, CSA B45.0, and CSA B45.4

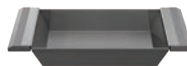
## Must-have accessories



Grid  
IH-G-2116



Colander  
IH-CA-16



Bin  
IH-BI-16



Wood cutting board  
IH-BA-16-MA



Plastic cutting board  
IH-BB-16-WH

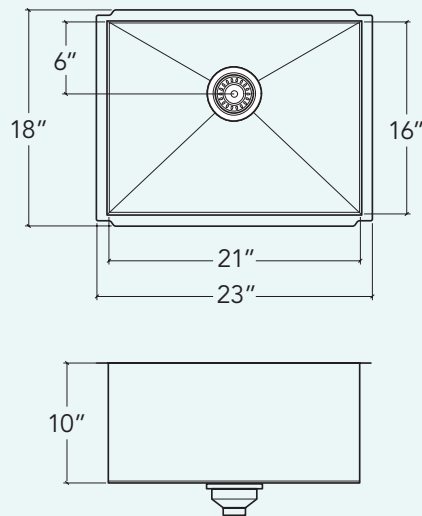
# IH0-US-231810

ProInox H0

**Stainless steel kitchen sink**

**Handcrafted**

Urban style corners [0"]



## Installation

Undermount

## Bowl

21" × 16" × 10"

## Overall

23" × 18" × 10"

## Recommended cabinet

27"

## Drain

Ø 3 1/2"

## Packaging

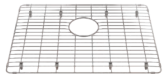
24" × 21 1/2" × 13"

23 lbs

## Features

- 304 brushed finish stainless steel (18/10) – 18 gauge
- Sound deadening pads for maximum noise reduction
- Drain located towards rear providing more space under the sink
- Stainless steel strainer (AA-SA-3.5-SA) and mounting hardware included
- Product certified ASME A112.19.3, CSA B45.0, and CSA B45.4

## Must-have accessories



**Grid**  
IH-G-2116



**Colander**  
IH-CA-16



**Bin**  
IH-BI-16



**Wood cutting board**  
IH-BA-16-MA



**Plastic cutting board**  
IH-BB-16-WH

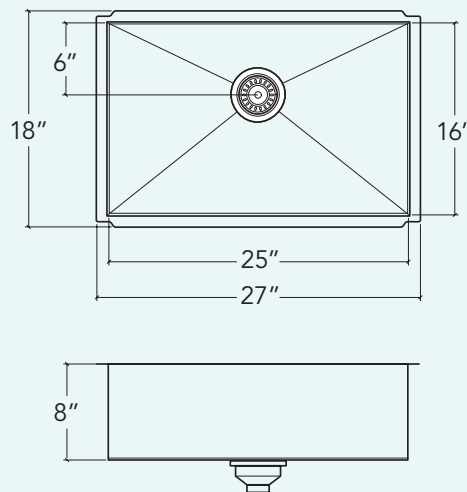
# IH0-US-27188

ProInox H0

**Stainless steel kitchen sink**

**Handcrafted**

Urban style corners [0"]



## Installation

Undermount

## Bowl

25" × 16" × 8"

## Overall

27" × 18" × 8"

## Recommended cabinet

30"

## Drain

Ø 3 ½"

## Packaging

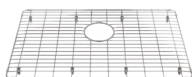
28" × 21 ½" × 13"

24 lbs

## Features

- 304 brushed finish stainless steel (18/10) – 18 gauge
- Sound deadening pads for maximum noise reduction
- Drain located towards rear providing more space under the sink
- Stainless steel strainer (AA-SA-3.5-SA) and mounting hardware included
- Product certified ASME A112.19.3, CSA B45.0, and CSA B45.4

## Must-have accessories



**Grid**  
IH-G-2516



**Colander**  
IH-CA-16



**Bin**  
IH-BI-16



**Wood cutting board**  
IH-BA-16-MA



**Plastic cutting board**  
IH-BB-16-WH

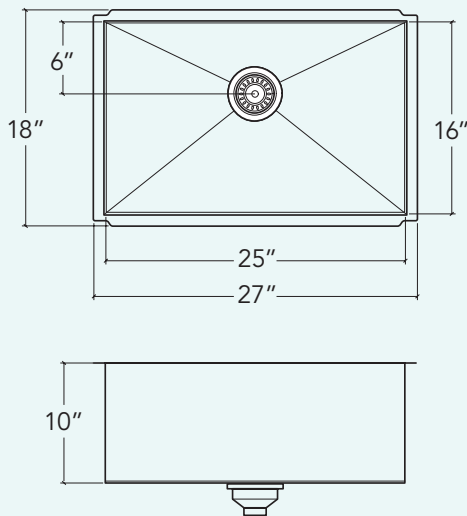
# IH0-US-271810

ProInox H0

**Stainless steel kitchen sink**

**Handcrafted**

Urban style corners [0"]



## Installation

Undermount

## Bowl

25" × 16" × 10"

## Overall

27" × 18" × 10"

## Recommended cabinet

30"

## Drain

Ø 3 ½"

## Packaging

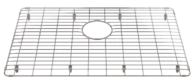
28" × 21 ½" × 13"

26 lbs

## Features

- 304 brushed finish stainless steel (18/10) – 18 gauge
- Sound deadening pads for maximum noise reduction
- Drain located towards rear providing more space under the sink
- Stainless steel strainer (AA-SA-3.5-SA) and mounting hardware included
- Product certified ASME A112.19.3, CSA B45.0, and CSA B45.4

## Must-have accessories



**Grid**  
IH-G-2516



**Colander**  
IH-CA-16



**Bin**  
IH-BI-16



**Wood cutting board**  
IH-BA-16-MA



**Plastic cutting board**  
IH-BB-16-WH

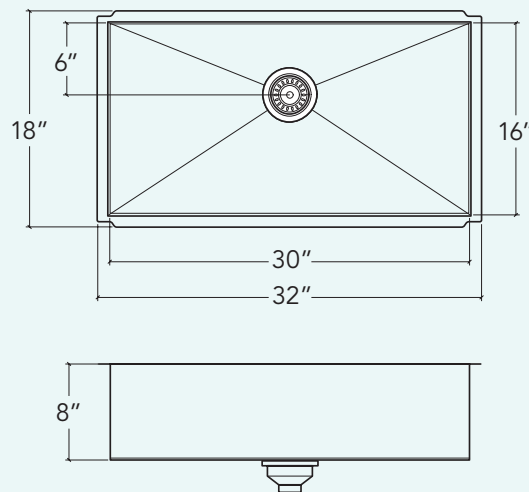
# IH0-US-32188

ProInox H0

**Stainless steel kitchen sink**

**Handcrafted**

Urban style corners [0"]



## Installation

Undermount

## Bowl

30" x 16" x 8"

## Overall

32" x 18" x 8"

## Recommended cabinet

36"

## Drain

Ø 3 1/2"

## Packaging

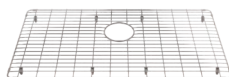
33" x 21 1/2" x 13"

30 lbs

## Features

- 304 brushed finish stainless steel (18/10) – 18 gauge
- Sound deadening pads for maximum noise reduction
- Drain located towards rear providing more space under the sink
- Stainless steel strainer (AA-SA-3.5-SA) and mounting hardware included
- Product certified ASME A112.19.3, CSA B45.0, and CSA B45.4

## Must-have accessories



**Grid**  
IH-G-3016



**Colander**  
IH-CA-16



**Bin**  
IH-BI-16



**Wood cutting board**  
IH-BA-16-MA



**Plastic cutting board**  
IH-BB-16-WH

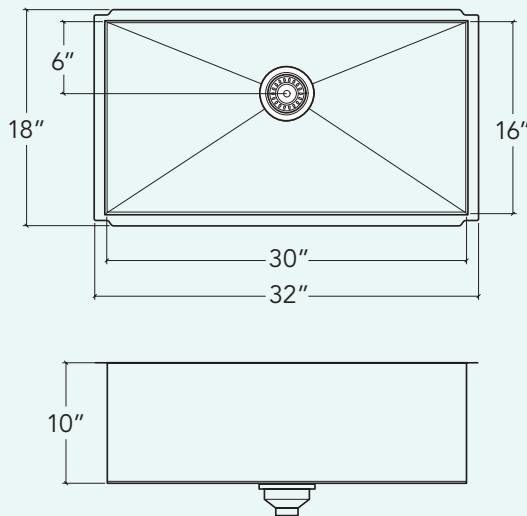
# IH0-US-321810

ProInox H0

**Stainless steel kitchen sink**

**Handcrafted**

Urban style corners [0"]



## Installation

Undermount

## Bowl

30" x 16" x 10"

## Overall

32" x 18" x 10"

## Recommended cabinet

36"

## Drain

Ø 3 1/2"

## Packaging

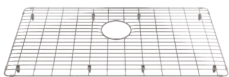
33" x 21 1/2" x 13"

32 lbs

## Features

- 304 brushed finish stainless steel (18/10) – 18 gauge
- Sound deadening pads for maximum noise reduction
- Drain located towards rear providing more space under the sink
- Stainless steel strainer (AA-SA-3.5-SA) and mounting hardware included
- Product certified ASME A112.19.3, CSA B45.0, and CSA B45.4

## Must-have accessories



**Grid**  
IH-G-3016



**Colander**  
IH-CA-16



**Bin**  
IH-BI-16



**Wood cutting board**  
IH-BA-16-MA



**Plastic cutting board**  
IH-BB-16-WH

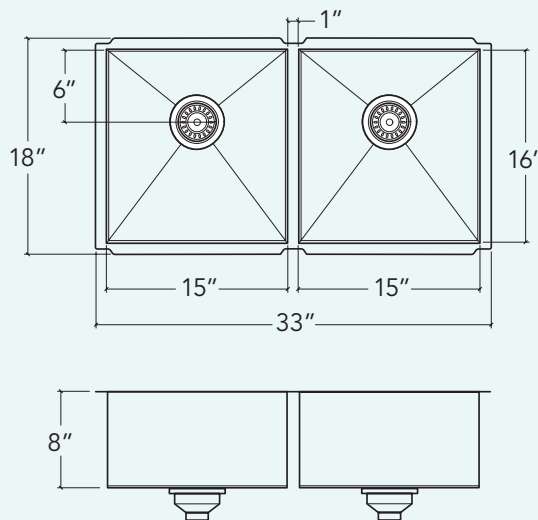
# IH0-UE-33188

ProInox H0

**Stainless steel kitchen sink**

**Handcrafted**

Urban style corners [0"]



## Installation

Undermount

## Bowl

L 15" × 16" × 8"

R 15" × 16" × 8"

## Overall

33" × 18" × 8"

## Recommended cabinet

36"

## Drain

Ø 3 1/2"

## Packaging

34" × 21 1/2" × 13"

36 lbs

## Features

- 304 brushed finish stainless steel (18/10) – 18 gauge
- Sound deadening pads for maximum noise reduction
- Drain located towards rear providing more space under the sink
- Stainless steel strainer (AA-SA-3.5-SA) and mounting hardware included
- Product certified ASME A112.19.3, CSA B45.0, and CSA B45.4

## Must-have accessories



**Grid**

L IH-G-1516

R IH-G-1516



**Colander**

IH-CA-16



**Bin**

IH-BI-16



**Wood cutting board**

IH-BA-16-MA



**Plastic cutting board**

IH-BB-16-WH

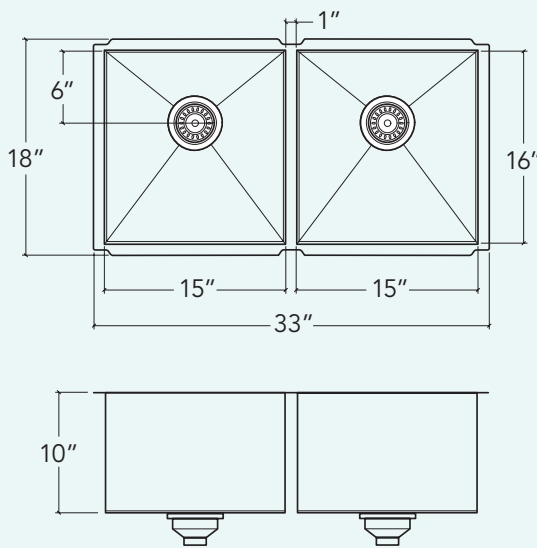
# IH0-UE-331810

ProInox H0

**Stainless steel kitchen sink**

**Handcrafted**

Urban style corners [0"]



## Installation

Undermount

## Bowl

L 15" × 16" × 10"

R 15" × 16" × 10"

## Overall

33" × 18" × 10"

## Recommended cabinet

36"

## Drain

Ø 3 1/2"

## Packaging

34" × 21 1/2" × 13"

38 lbs

## Features

- 304 brushed finish stainless steel (18/10) – 18 gauge
- Sound deadening pads for maximum noise reduction
- Drain located towards rear providing more space under the sink
- Stainless steel strainer (AA-SA-3.5-SA) and mounting hardware included
- Product certified ASME A112.19.3, CSA B45.0, and CSA B45.4

## Must-have accessories



### Grid

L IH-G-1516

R IH-G-1516



### Colander

IH-CA-16



### Bin

IH-BI-16



### Wood cutting board

IH-BA-16-MA



### Plastic cutting board

IH-BB-16-WH

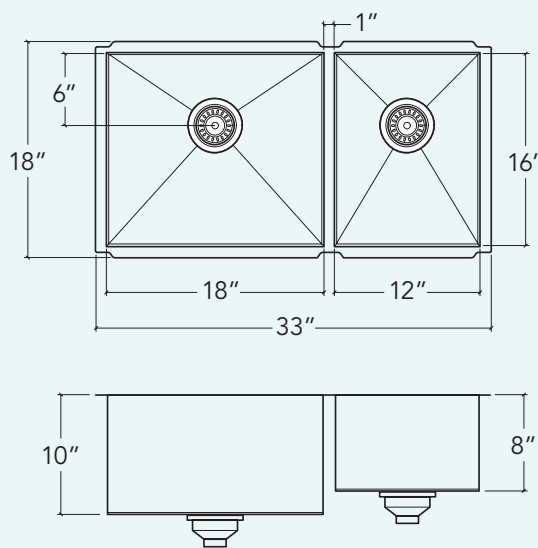
# IH0-UR-331810

ProInox H0

**Stainless steel kitchen sink**

**Handcrafted**

Urban style corners [0"]



## Installation

Undermount

## Bowl

L 18" × 16" × 10"

R 12" × 16" × 8"

## Overall

33" × 18" × 10"

## Recommended cabinet

36"

## Drain

Ø 3 1/2"

## Packaging

34" × 21 1/2" × 13"

35 lbs

## Features

- 304 brushed finish stainless steel (18/10) – 18 gauge
- Sound deadening pads for maximum noise reduction
- Drain located towards rear providing more space under the sink
- Stainless steel strainer (AA-SA-3.5-SA) and mounting hardware included
- Product certified ASME A112.19.3, CSA B45.0, and CSA B45.4

## Must-have accessories



**Grid**

L IH-G-1816

R IH-G-1216



**Colander**

IH-CA-16



**Bin**

IH-BI-16



**Wood cutting board**

IH-BA-16-MA



**Plastic cutting board**

IH-BB-16-WH



# ProInox H0

**Stainless steel kitchen sinks**  
**Handcrafted**  
Urban style corners [0°]

Topmount

PRO  
CHEF  
SINCE 1988

Sink IH0-TS-27209







# ProInox H0

Topmount

**Stainless steel kitchen sinks**

**Handcrafted**

Urban style corners [0"]

Cabinet <sup>1</sup>	Bowl	Overall	Model	Price <sup>2</sup>	Grid	Price <sup>2</sup>
21" 	16" x 16" x 9"	18" x 20" x 9"	IH0-TS-18209	\$ 615	IH-G-1616	\$ 160
24" 	21" x 16" x 9"	23" x 20" x 9"	IH0-TS-23209	\$ 635	IH-G-2116	\$ 165
30" 	25" x 16" x 9"	27" x 20" x 9"	IH0-TS-27209	\$ 690	IH-G-2516	\$ 170
33" 	30" x 16" x 9"	32" x 20" x 9"	IH0-TS-32209	\$ 760	IH-G-3016	\$ 175
36" 	15" x 16" x 9" 15" x 16" x 9"	33" x 20" x 9"	IH0-TE-33209	\$ 895	IH-G-1516	\$ 160
36" 	18" x 16" x 9" 12" x 16" x 7"	33" x 20" x 9"	IH0-TR-33209	\$ 895	IH-G-1816 IH-G-1216	\$ 160 \$ 155

Included: Strainer(s) and mounting hardware.

Freight: \$ 40 per sink. FFA for orders of \$ 2 500 net or more providing order ships complete.

To place an order, contact Customer Service at [customerservice@prochef.ca](mailto:customerservice@prochef.ca).

(1) Recommended cabinet width; please check with cabinet manufacturer.

(2) Manufacturer-recommended retail price in effect on June 1<sup>st</sup>, 2017. Prices are in US dollars.

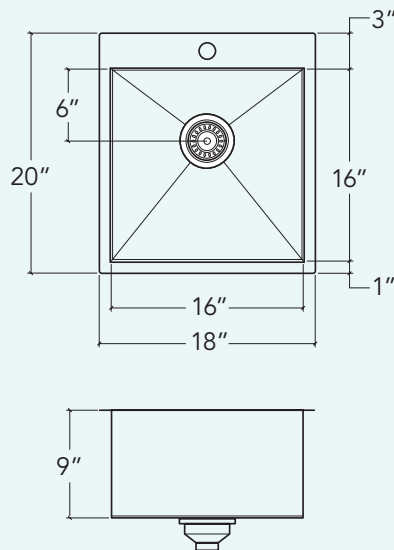
# IH0-TS-18209

ProInox H0

**Stainless steel kitchen sink**

**Handcrafted**

Urban style corners [0"]



## Installation

Topmount

## Bowl

16" × 16" × 9"

## Overall

18" × 20" × 9"

## Recommended cabinet

21"

## Drain

Ø 3 ½"

## Packaging

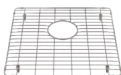
19" × 21 ½" × 13"

20 lbs

## Features

- 304 brushed finish stainless steel (18/10) – 18 gauge
- Single faucet hole (additional holes can be drilled at no charge)
- Sound deadening pads for maximum noise reduction
- Drain located towards rear providing more space under the sink
- Stainless steel strainer (AA-SA-3.5-SA) and mounting hardware included
- Product certified ASME A112.19.3, CSA B45.0, and CSA B45.4

## Must-have accessories



**Grid**  
IH-G-1616



**Colander**  
IH-CA-16



**Bin**  
IH-BI-16



**Wood cutting board**  
IH-BA-16-MA



**Plastic cutting board**  
IH-BB-16-WH

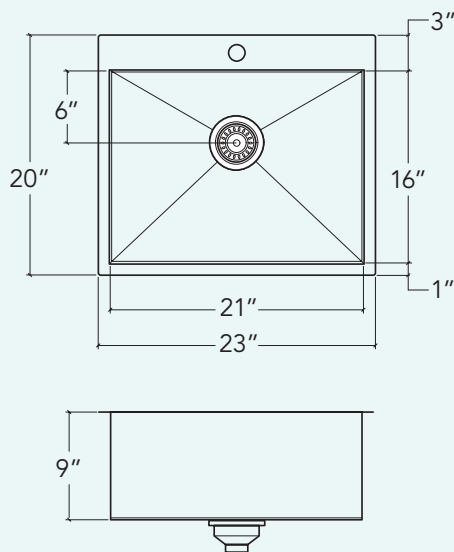
# IH0-TS-23209

ProInox H0

**Stainless steel kitchen sink**

**Handcrafted**

Urban style corners [0°]



## Installation

Topmount

## Bowl

21" × 16" × 9"

## Overall

23" × 20" × 9"

## Recommended cabinet

24"

## Drain

Ø 3 1/2"

## Packaging

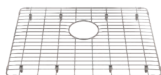
24" × 21 1/2" × 13"

23 lbs

## Features

- 304 brushed finish stainless steel (18/10) – 18 gauge
- Single faucet hole (additional holes can be drilled at no charge)
- Sound deadening pads for maximum noise reduction
- Drain located towards rear providing more space under the sink
- Stainless steel strainer (AA-SA-3.5-SA) and mounting hardware included
- Product certified ASME A112.19.3, CSA B45.0, and CSA B45.4

## Must-have accessories



**Grid**  
IH-G-2116



**Colander**  
IH-CA-16



**Bin**  
IH-BI-16



**Wood cutting board**  
IH-BA-16-MA



**Plastic cutting board**  
IH-BB-16-WH

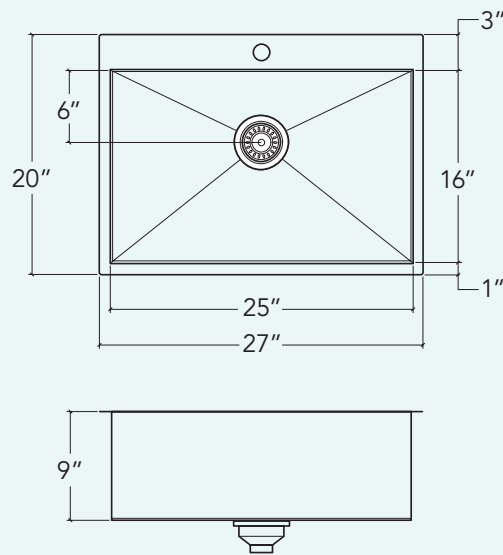
# IH0-TS-27209

ProInox H0

**Stainless steel kitchen sink**

**Handcrafted**

Urban style corners [0"]



## Installation

Topmount

## Bowl

25" × 16" × 9"

## Overall

27" × 20" × 9"

## Recommended cabinet

30"

## Drain

Ø 3 1/2"

## Packaging

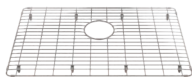
28" × 21 1/2" × 13"

25 lbs

## Features

- 304 brushed finish stainless steel (18/10) – 18 gauge
- Single faucet hole (additional holes can be drilled at no charge)
- Sound deadening pads for maximum noise reduction
- Drain located towards rear providing more space under the sink
- Stainless steel strainer (AA-SA-3.5-SA) and mounting hardware included
- Product certified ASME A112.19.3, CSA B45.0, and CSA B45.4

## Must-have accessories



**Grid**  
IH-G-2516



**Colander**  
IH-CA-16



**Bin**  
IH-BI-16



**Wood cutting board**  
IH-BA-16-MA



**Plastic cutting board**  
IH-BB-16-WH

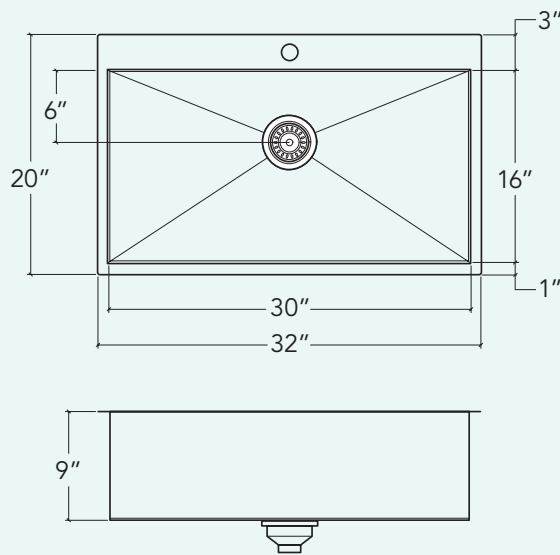
# IH0-TS-32209

ProInox H0

**Stainless steel kitchen sink**

**Handcrafted**

Urban style corners [0"]



## Installation

Topmount

## Bowl

30" x 16" x 9"

## Overall

32" x 20" x 9"

## Recommended cabinet

33"

## Drain

Ø 3 1/2"

## Packaging

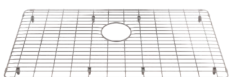
33" x 21 1/2" x 13"

31 lbs

## Features

- 304 brushed finish stainless steel (18/10) – 18 gauge
- Single faucet hole (additional holes can be drilled at no charge)
- Sound deadening pads for maximum noise reduction
- Drain located towards rear providing more space under the sink
- Stainless steel strainer (AA-SA-3.5-SA) and mounting hardware included
- Product certified ASME A112.19.3, CSA B45.0, and CSA B45.4

## Must-have accessories



**Grid**  
IH-G-3016



**Colander**  
IH-CA-16



**Bin**  
IH-BI-16



**Wood cutting board**  
IH-BA-16-MA



**Plastic cutting board**  
IH-BB-16-WH

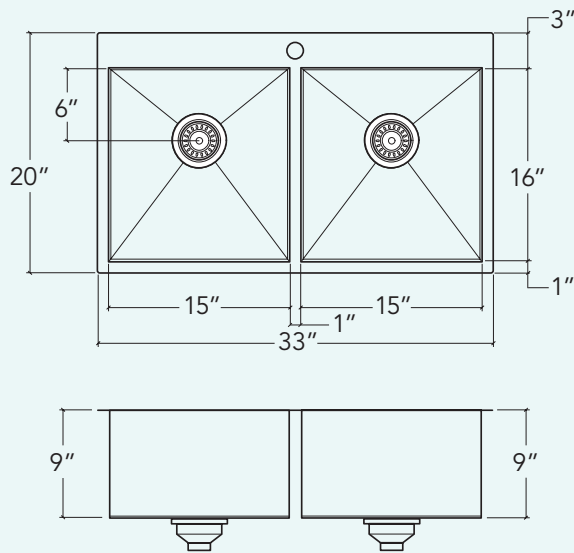
# IHO-TE-33209

ProInox H0

**Stainless steel kitchen sink**

**Handcrafted**

Urban style corners [0"]



## Installation

Topmount

## Bowl

L 15" x 16" x 9"

R 15" x 16" x 9"

## Overall

33" x 20" x 9"

## Recommended cabinet

36"

## Drain

Ø 3 1/2"

## Packaging

34" x 21 1/2" x 13"

38 lbs

## Features

- 304 brushed finish stainless steel (18/10) – 18 gauge
- Single faucet hole (additional holes can be drilled at no charge)
- Sound deadening pads for maximum noise reduction
- Drain located towards rear providing more space under the sink
- Stainless steel strainer (AA-SA-3.5-SA) and mounting hardware included
- Product certified ASME A112.19.3, CSA B45.0, and CSA B45.4

## Must-have accessories



**Grid**

L IH-G-1516

R IH-G-1516



**Colander**

IH-CA-16



**Bin**

IH-BI-16



**Wood cutting board**

IH-BA-16-MA



**Plastic cutting board**

IH-BB-16-WH

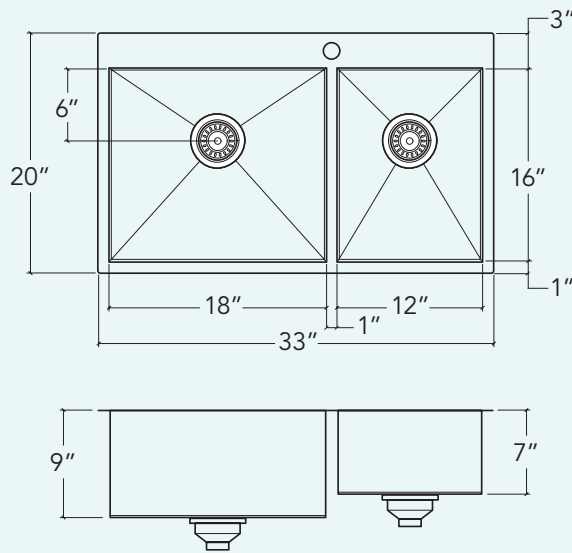
# IH0-TR-33209

ProInox H0

**Stainless steel kitchen sink**

**Handcrafted**

Urban style corners [0"]



## Installation

Topmount

## Bowl

L 18" × 16" × 9"

R 12" × 16" × 7"

## Overall

33" × 20" × 9"

## Recommended cabinet

36"

## Drain

Ø 3 1/2"

## Packaging

34" × 21 1/2" × 13"

37 lbs

## Features

- 304 brushed finish stainless steel (18/10) – 18 gauge
- Single faucet hole (additional holes can be drilled at no charge)
- Sound deadening pads for maximum noise reduction
- Drain located towards rear providing more space under the sink
- Stainless steel strainer (AA-SA-3.5-SA) and mounting hardware included
- Product certified ASME A112.19.3, CSA B45.0, and CSA B45.4

## Must-have accessories



**Grid**

L IH-G-1816

R IH-G-1216



**Colander**

IH-CA-16



**Bin**

IH-BI-16



**Wood cutting board**

IH-BA-16-MA



**Plastic cutting board**

IH-BB-16-WH

# ProInox H75

**Stainless steel kitchen sinks**

**Handcrafted**

Contemporary style corners [0,75"]

---

## Style and function combined

Your kitchen is a place for exploring and having fun. It has to fit with the active life you lead, but absolutely not at the expense of style. A contemporary sink from the ProInox H75 collection is the perfect solution. With straight walls and slightly rounded corners, these sinks are a breeze to clean.



Sink IH75-TS-32207



# ProInox H75 Warranty

---

## Sinks

Prochef offers a LIMITED LIFETIME WARRANTY on the fixed components of its ProInox H75 sinks, ensuring them against defects of material and workmanship. This warranty is limited to defects or damages resulting from a normal residential use and does not cover the following:

- Surface corrosion (chemical or natural)
- Scuffs or scratches
- Misuse, abnormal or abusive use
- Dents, deformations caused by the impact of any object
- Common signs of wear and tear
- Improper installation, care and/or maintenance
- Commercial use
- Environmental factors causing damage
- Shipping or freight damage

## Accessories

Prochef offers a 1-YEAR LIMITED WARRANTY on all mobile parts, options and accessories against defects of material and workmanship. This warranty is limited to defects or damages resulting from a normal residential use and does not cover the following:

- Surface corrosion (chemical or natural)
- Scuffs or scratches
- Misuse, abnormal or abusive use
- Dents, deformations caused by the impact of any object
- Common signs of wear and tear
- Improper installation, care and/or maintenance
- Commercial use
- Environmental factors causing damage
- Shipping or freight damage

## Generalities

Prochef may at its sole discretion, repair, replace or make appropriate adjustments to the products or components proven to be defective in order to restore to good working condition.

In no event, even if product or components are found to be defective, shall Prochef's liability exceed the price paid for the product. Prochef reserves the right to inspect the installation prior to the replacement or repair of the product or its component parts. Prochef may at its discretion require pictures prior to analyzing the claim. This limited warranty is null and void if the product or components have been repaired, altered or modified other than by Prochef or under its supervision.

This limited warranty replaces any and all other warranty, expressed or implied, including implied warranties of merchantability or fitness for a particular purpose. Laws governing product warranties may vary from one state or province to another. This warranty is not intended to contravene to the public order and shall not be so interpreted. This limited warranty extends only to the original owner/end user in residential applications and is not transferable to any subsequent purchaser. In the event of a warranty claim, original proof of purchase (sales receipt) will be required. Shipping and handling costs (for returning the product or components for repairs or to replace product or components) are not covered under this limited warranty. Also excluded from this limited warranty is any labour, workmanship or other costs incurred in connection with the product or components removal, repairs, replacement, adjustment or installation and any incidental or consequential damages.

Warranty will be null and void for any damage resulting from installation not respecting the instructions and Prochef will not be held responsible for any costs incurred. In the event of a limited warranty claim, original proof of purchase will be required – save original sales receipt.

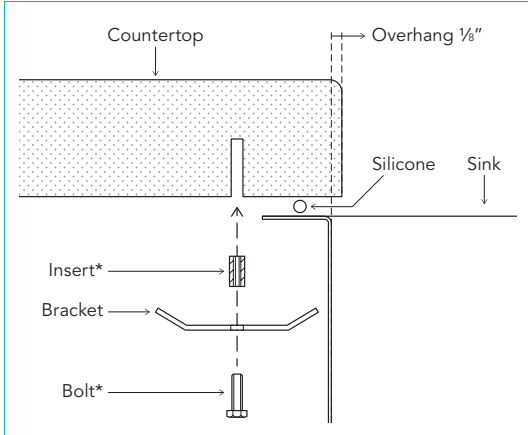
If you believe you have a warranty claim or for more information on the warranty of our products, please contact our customer service.

**1 855 687-8192**  
**customerservice@prochef.ca**

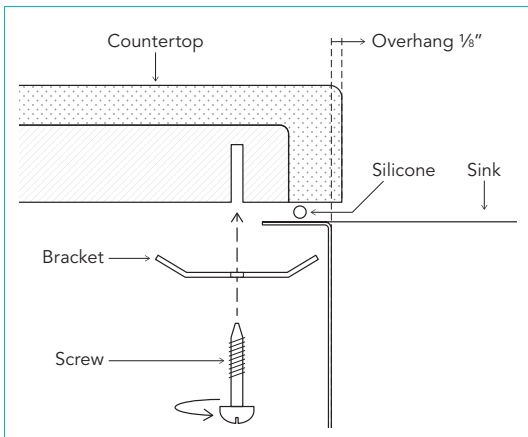
# ProInox H75

## Undermount installation

A. Granite, quartz, marble or other stone surface



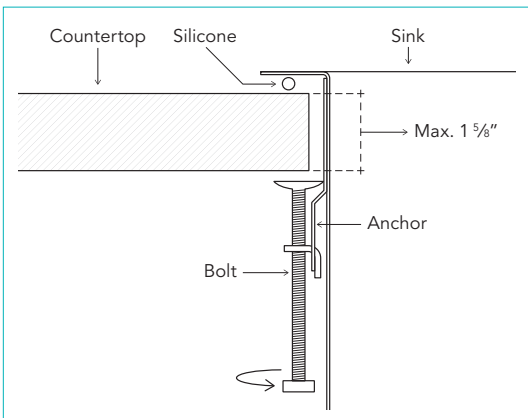
B. Granite, quartz, marble or other stone surface on a wood base



\* Not included

## Topmount installation

Laminate, wood, ceramic tile or other solid surface



## Maintenance

Follow one simple rule to keep your sink in good condition:  
Clean it regularly.

### Daily

Clean the sink with a sponge or a soft cloth.

Use mild soap (dish soap) or an all-purpose, non-abrasive liquid cleanser that contains no chlorines or acid.

Always rinse with warm water and wipe with a dry cloth to prevent calcium buildup.

Use a bottom grid to protect the metal from wear and scratches.

### Precautions

Do not scrub the sink with steel wool or scouring pads.

Do not use abrasive cleansers or products containing chlorines or acid.

Do not use silver polish or grout cleaning products, which can discolor the finish and leave stains.

Use a water and vinegar solution to loosen calcium buildup.

Do not leave mustard, mayonnaise, lemon juice, grease, fat, and other food residue to sit in the sink. Be sure to rinse these aliments with plenty of water.

Do not place a rubber mat on the bottom of your sink. Food, water, and cleaning products can cling to it and create stains.

# ProInox H75

**Stainless steel kitchen sinks**

**Handcrafted**

Contemporary style corners [0,75"]

---

Undermount



# ProInox H75

Undermount

**Stainless steel kitchen sinks**

**Handcrafted**

Contemporary style corners [0,75"]

Cabinet <sup>1</sup>	Bowl	Overall	Model	Price <sup>2</sup>	Grid	Price <sup>2</sup>	
21"		16" x 16" x 8"	18" x 18" x 8"	IH75-US-18188	\$ 710	IH-G-1616	\$ 160
		16" x 16" x 10"	18" x 18" x 10"	IH75-US-181810	\$ 720	IH-G-1616	\$ 160
27"		21" x 16" x 8"	23" x 18" x 8"	IH75-US-23188	\$ 735	IH-G-2116	\$ 165
		21" x 16" x 10"	23" x 18" x 10"	IH75-US-231810	\$ 745	IH-G-2116	\$ 165
30"		25" x 16" x 8"	27" x 18" x 8"	IH75-US-27188	\$ 785	IH-G-2516	\$ 170
		25" x 16" x 10"	27" x 18" x 10"	IH75-US-271810	\$ 810	IH-G-2516	\$ 170
33"		27" x 16" x 8"	29" x 18" x 8"	IH75-US-29188	\$ 815	IH-G-2716	\$ 170
		27" x 16" x 10"	29" x 18" x 10"	IH75-US-291810	\$ 825	IH-G-2716	\$ 170
36"		30" x 16" x 8"	32" x 18" x 8"	IH75-US-32188	\$ 870	IH-G-3016	\$ 175
		30" x 16" x 10"	32" x 18" x 10"	IH75-US-321810	\$ 890	IH-G-3016	\$ 175
33"		14" x 16" x 8" 14" x 16" x 8"	31" x 18" x 8"	IH75-UE-31188	\$ 945	IH-G-1416	\$ 155
36"		15" x 16" x 8" 15" x 16" x 8"	33" x 18" x 8"	IH75-UE-33188	\$ 1 070	IH-G-1516	\$ 160
		15" x 16" x 10" 15" x 16" x 10"	33" x 18" x 10"	IH75-UE-331810	\$ 1 070	IH-G-1516	\$ 160
36"		18" x 16" x 10" 12" x 16" x 8"	33" x 18" x 10"	IH75-UR-331810	\$ 1 070	IH-G-1816 IH-G-1216	\$ 160 \$ 155

Included: Strainer(s) and mounting hardware.

Freight: \$ 40 per sink. FFA for orders of \$ 2 500 net or more providing order ships complete.

To place an order, contact Customer Service at [customerservice@prochef.ca](mailto:customerservice@prochef.ca).

(1) Recommended cabinet width; please check with cabinet manufacturer.

(2) Manufacturer-recommended retail price in effect on June 1<sup>st</sup>, 2017. Prices are in US dollars.

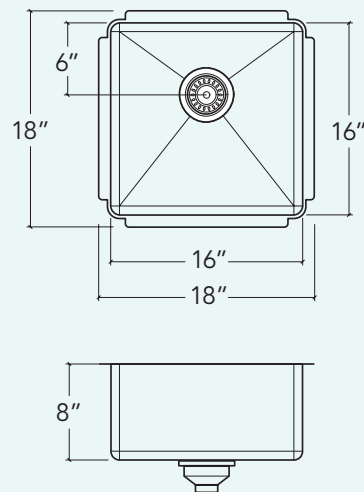
# IH75-US-18188

Prolnox H75

**Stainless steel kitchen sink**

**Handcrafted**

Contemporary style corners [0,75"]



## Installation

Undermount

## Bowl

16" × 16" × 8"

## Overall

18" × 18" × 8"

## Recommended cabinet

21"

## Drain

Ø 3 1/2"

## Packaging

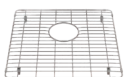
19" × 21 1/2" × 13"

19 lbs

## Features

- 304 brushed finish stainless steel (18/10) – 18 gauge
- Sound deadening pads for maximum noise reduction
- Drain located towards rear providing more space under the sink
- Stainless steel strainer (AA-SA-3.5-SA) and mounting hardware included
- Product certified ASME A112.19.3, CSA B45.0, and CSA B45.4

## Must-have accessories



**Grid**  
IH-G-1616



**Colander**  
IH-CA-16



**Bin**  
IH-BI-16



**Wood cutting board**  
IH-BA-16-MA



**Plastic cutting board**  
IH-BB-16-WH

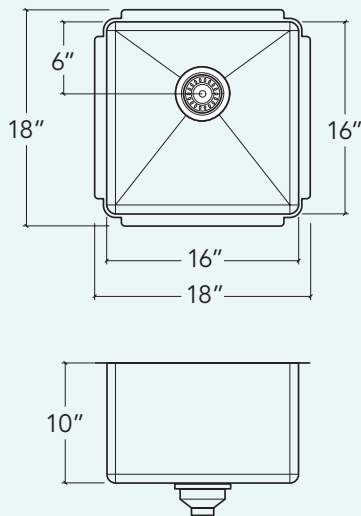
# IH75-US-181810

ProInox H75

**Stainless steel kitchen sink**

**Handcrafted**

Contemporary style corners [0,75"]



## Installation

Undermount

## Bowl

16" × 16" × 10"

## Overall

18" × 18" × 10"

## Recommended cabinet

21"

## Drain

Ø 3 1/2"

## Packaging

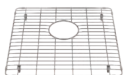
19" × 21 1/2" × 13"

20 lbs

## Features

- 304 brushed finish stainless steel (18/10) – 18 gauge
- Sound deadening pads for maximum noise reduction
- Drain located towards rear providing more space under the sink
- Stainless steel strainer (AA-SA-3.5-SA) and mounting hardware included
- Product certified ASME A112.19.3, CSA B45.0, and CSA B45.4

## Must-have accessories



**Grid**  
IH-G-1616



**Colander**  
IH-CA-16



**Bin**  
IH-BI-16



**Wood cutting board**  
IH-BA-16-MA



**Plastic cutting board**  
IH-BB-16-WH

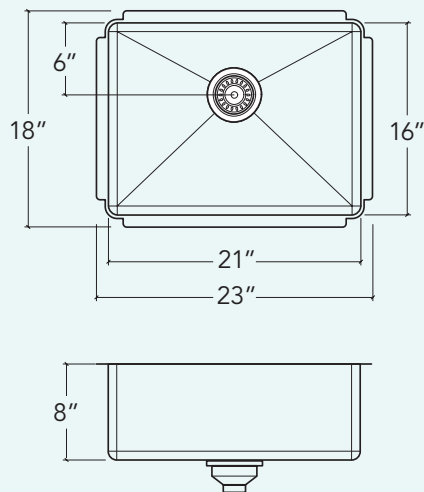
# IH75-US-23188

ProInox H75

**Stainless steel kitchen sink**

**Handcrafted**

Contemporary style corners [0,75"]



## Installation

Undermount

## Bowl

21" × 16" × 8"

## Overall

23" × 18" × 8"

## Recommended cabinet

27"

## Drain

Ø 3 1/2"

## Packaging

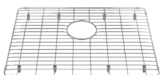
24" × 21 1/2" × 13"

22 lbs

## Features

- 304 brushed finish stainless steel (18/10) – 18 gauge
- Sound deadening pads for maximum noise reduction
- Drain located towards rear providing more space under the sink
- Stainless steel strainer (AA-SA-3.5-SA) and mounting hardware included
- Product certified ASME A112.19.3, CSA B45.0, and CSA B45.4

## Must-have accessories



**Grid**  
IH-G-2116



**Colander**  
IH-CA-16



**Bin**  
IH-BI-16



**Wood cutting board**  
IH-BA-16-MA



**Plastic cutting board**  
IH-BB-16-WH

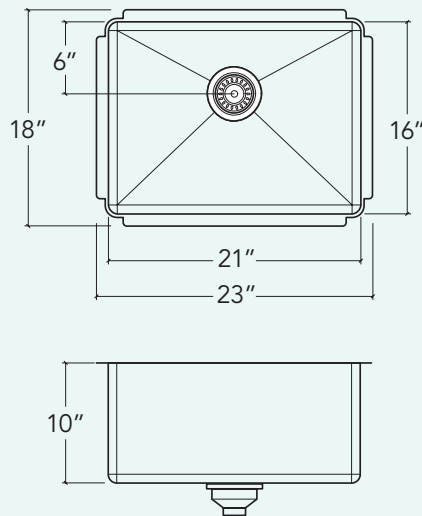
# IH75-US-231810

Prolnox H75

**Stainless steel kitchen sink**

**Handcrafted**

Contemporary style corners [0,75"]



## Installation

Undermount

## Bowl

21" × 16" × 10"

## Overall

23" × 18" × 10"

## Recommended cabinet

27"

## Drain

Ø 3 1/2"

## Packaging

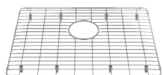
24" × 21 1/2" × 13"

23lbs

## Features

- 304 brushed finish stainless steel (18/10) – 18 gauge
- Sound deadening pads for maximum noise reduction
- Drain located towards rear providing more space under the sink
- Stainless steel strainer (AA-SA-3.5-SA) and mounting hardware included
- Product certified ASME A112.19.3, CSA B45.0, and CSA B45.4

## Must-have accessories



**Grid**  
IH-G-2116



**Colander**  
IH-CA-16



**Bin**  
IH-BI-16



**Wood cutting board**  
IH-BA-16-MA



**Plastic cutting board**  
IH-BB-16-WH

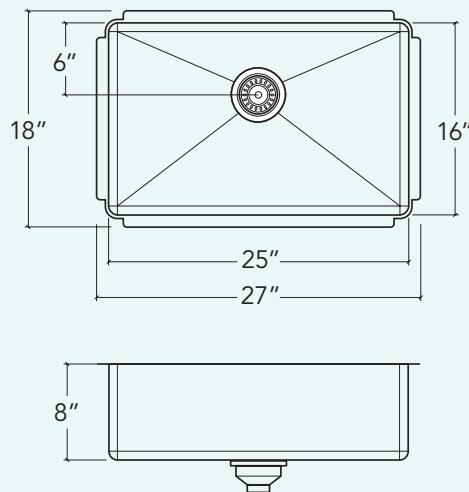
# IH75-US-27188

ProInox H75

**Stainless steel kitchen sink**

**Handcrafted**

Contemporary style corners [0,75"]



## Installation

Undermount

## Bowl

25" × 16" × 8"

## Overall

27" × 18" × 8"

## Recommended cabinet

30"

## Drain

Ø 3 ½"

## Packaging

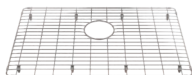
28" × 21 ½" × 13"

24 lbs

## Features

- 304 brushed finish stainless steel (18/10) – 18 gauge
- Sound deadening pads for maximum noise reduction
- Drain located towards rear providing more space under the sink
- Stainless steel strainer (AA-SA-3.5-SA) and mounting hardware included
- Product certified ASME A112.19.3, CSA B45.0, and CSA B45.4

## Must-have accessories



**Grid**  
IH-G-2516



**Colander**  
IH-CA-16



**Bin**  
IH-BI-16



**Wood cutting board**  
IH-BA-16-MA



**Plastic cutting board**  
IH-BB-16-WH

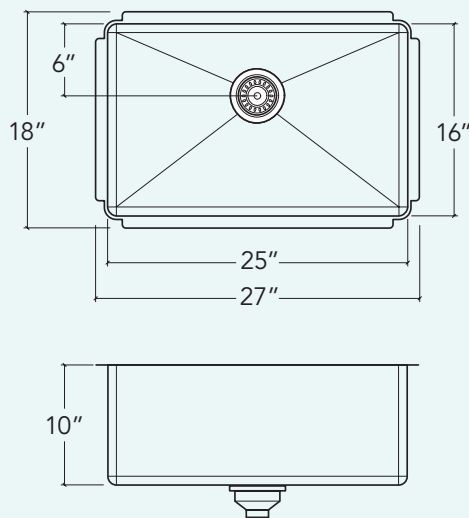
# IH75-US-271810

ProInox H75

**Stainless steel kitchen sink**

**Handcrafted**

Contemporary style corners [0,75"]



## Installation

Undermount

## Bowl

25" × 16" × 10"

## Overall

27" × 18" × 10"

## Recommended cabinet

30"

## Drain

Ø 3 ½"

## Packaging

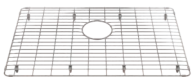
28" × 21 ½" × 13"

26 lbs

## Features

- 304 brushed finish stainless steel (18/10) – 18 gauge
- Sound deadening pads for maximum noise reduction
- Drain located towards rear providing more space under the sink
- Stainless steel strainer (AA-SA-3.5-SA) and mounting hardware included
- Product certified ASME A112.19.3, CSA B45.0, and CSA B45.4

## Must-have accessories



**Grid**  
IH-G-2516



**Colander**  
IH-CA-16



**Bin**  
IH-BI-16



**Wood cutting board**  
IH-BA-16-MA



**Plastic cutting board**  
IH-BB-16-WH

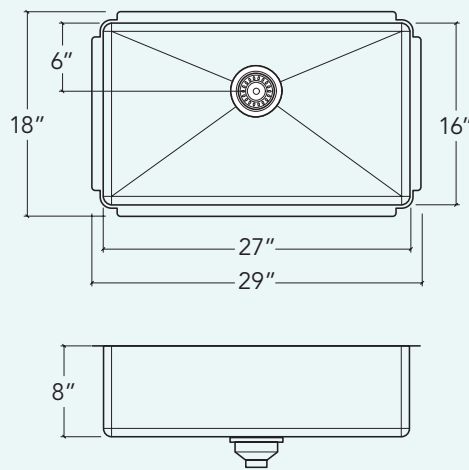
# IH75-US-29188

**ProInox H75**

**Stainless steel kitchen sink**

**Handcrafted**

Contemporary style corners [0,75"]



## Installation

Undermount

## Bowl

27" × 16" × 8"

## Overall

29" × 18" × 8"

## Recommended cabinet

33"

## Drain

Ø 3 ½"

## Packaging

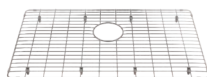
30" × 21 ½" × 13"

28 lbs

## Features

- 304 brushed finish stainless steel (18/10) – 18 gauge
- Sound deadening pads for maximum noise reduction
- Drain located towards rear providing more space under the sink
- Stainless steel strainer (AA-SA-3.5-SA) and mounting hardware included
- Product certified ASME A112.19.3, CSA B45.0, and CSA B45.4

## Must-have accessories



**Grid**  
IH-G-2716



**Colander**  
IH-CA-16



**Bin**  
IH-BI-16



**Wood cutting board**  
IH-BA-16-MA



**Plastic cutting board**  
IH-BB-16-WH

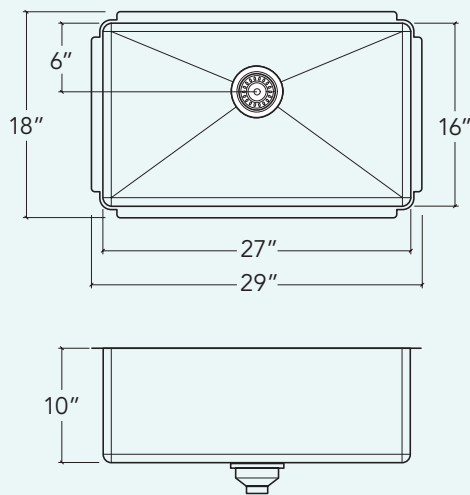
# IH75-US-291810

ProInox H75

**Stainless steel kitchen sink**

**Handcrafted**

Contemporary style corners [0,75"]



## Installation

Undermount

## Bowl

27" × 16" × 10"

## Overall

29" × 18" × 10"

## Recommended cabinet

33"

## Drain

Ø 3 ½"

## Packaging

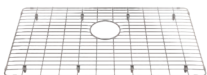
30" × 21 ½" × 13"

28 lbs

## Features

- 304 brushed finish stainless steel (18/10) – 18 gauge
- Sound deadening pads for maximum noise reduction
- Drain located towards rear providing more space under the sink
- Stainless steel strainer (AA-SA-3.5-SA) and mounting hardware included
- Product certified ASME A112.19.3, CSA B45.0, and CSA B45.4

## Must-have accessories



**Grid**  
IH-G-2716



**Colander**  
IH-CA-16



**Bin**  
IH-BI-16



**Wood cutting board**  
IH-BA-16-MA



**Plastic cutting board**  
IH-BB-16-WH

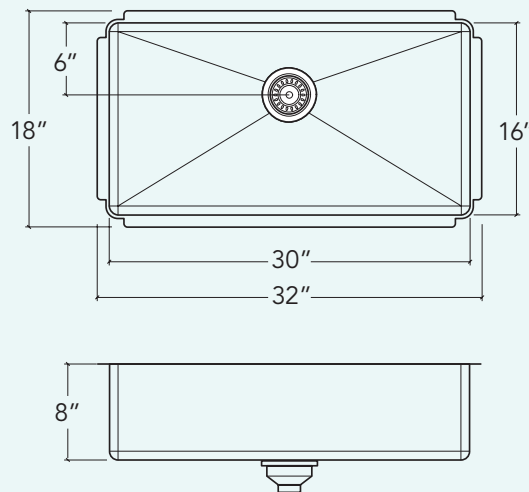
# IH75-US-32188

ProInox H75

**Stainless steel kitchen sink**

**Handcrafted**

Contemporary style corners [0,75"]



## Installation

Undermount

## Bowl

30" x 16" x 8"

## Overall

32" x 18" x 8"

## Recommended cabinet

36"

## Drain

Ø 3 1/2"

## Packaging

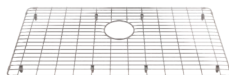
33" x 21 1/2" x 13"

30 lbs

## Features

- 304 brushed finish stainless steel (18/10) – 18 gauge
- Sound deadening pads for maximum noise reduction
- Drain located towards rear providing more space under the sink
- Stainless steel strainer (AA-SA-3.5-SA) and mounting hardware included
- Product certified ASME A112.19.3, CSA B45.0, and CSA B45.4

## Must-have accessories



**Grid**  
IH-G-3016



**Colander**  
IH-CA-16



**Bin**  
IH-BI-16



**Wood cutting board**  
IH-BA-16-MA



**Plastic cutting board**  
IH-BB-16-WH

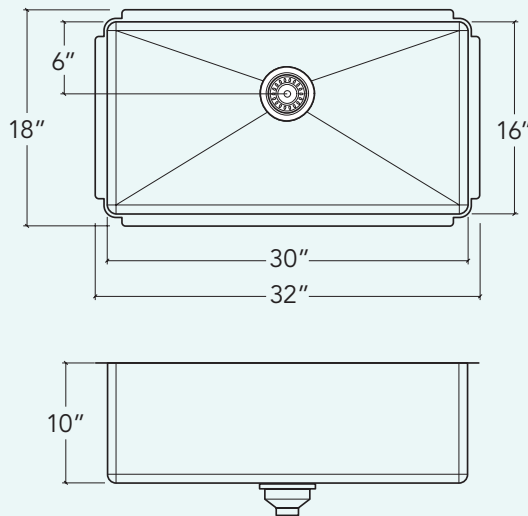
# IH75-US-321810

ProInox H75

**Stainless steel kitchen sink**

**Handcrafted**

Contemporary style corners [0,75"]



## Installation

Undermount

## Bowl

30" x 16" x 10"

## Overall

32" x 18" x 10"

## Recommended cabinet

36"

## Drain

Ø 3 1/2"

## Packaging

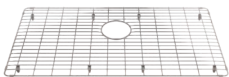
33" x 21 1/2" x 13"

32 lbs

## Features

- 304 brushed finish stainless steel (18/10) – 18 gauge
- Sound deadening pads for maximum noise reduction
- Drain located towards rear providing more space under the sink
- Stainless steel strainer (AA-SA-3.5-SA) and mounting hardware included
- Product certified ASME A112.19.3, CSA B45.0, and CSA B45.4

## Must-have accessories



**Grid**  
IH-G-3016



**Colander**  
IH-CA-16



**Bin**  
IH-BI-16



**Wood cutting board**  
IH-BA-16-MA



**Plastic cutting board**  
IH-BB-16-WH

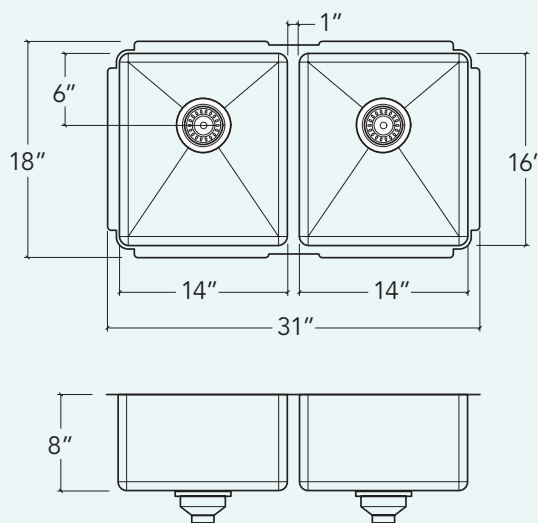
# IH75-UE-31188

ProInox H75

**Stainless steel kitchen sink**

**Handcrafted**

Contemporary style corners [0,75"]



## Installation

Undermount

## Bowl

L 14" × 16" × 8"

R 14" × 16" × 8"

## Overall

31" × 18" × 8"

## Recommended cabinet

33"

## Drain

Ø 3 1/2"

## Packaging

34" × 21 1/2" × 13"

36 lbs

## Features

- 304 brushed finish stainless steel (18/10) – 18 gauge
- Sound deadening pads for maximum noise reduction
- Drain located towards rear providing more space under the sink
- Stainless steel strainer (AA-SA-3.5-SA) and mounting hardware included
- Product certified ASME A112.19.3, CSA B45.0, and CSA B45.4

## Must-have accessories



### Grid

L IH-G-1416

R IH-G-1416



### Colander

IH-CA-16



### Bin

IH-BI-16



### Wood cutting board

IH-BA-16-MA



### Plastic cutting board

IH-BB-16-WH

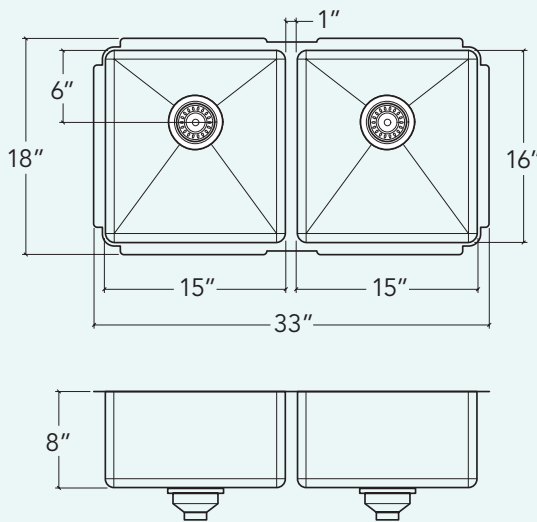
# IH75-UE-33188

ProInox H75

**Stainless steel kitchen sink**

**Handcrafted**

Contemporary style corners [0,75"]



## Installation

Undermount

## Bowl

L 15" × 16" × 8"

R 15" × 16" × 8"

## Overall

33" × 18" × 8"

## Recommended cabinet

36"

## Drain

Ø 3 1/2"

## Packaging

34" × 21 1/2" × 13"

36 lbs

## Features

- 304 brushed finish stainless steel (18/10) – 18 gauge
- Sound deadening pads for maximum noise reduction
- Drain located towards rear providing more space under the sink
- Stainless steel strainer (AA-SA-3.5-SA) and mounting hardware included
- Product certified ASME A112.19.3, CSA B45.0, and CSA B45.4

## Must-have accessories



### Grid

L IH-G-1516

R IH-G-1516



### Colander

IH-CA-16



### Bin

IH-BI-16



### Wood cutting board

IH-BA-16-MA



### Plastic cutting board

IH-BB-16-WH

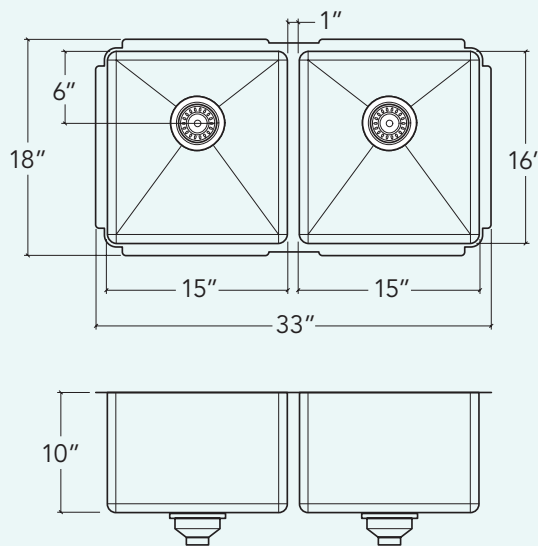
# IH75-UE-331810

ProInox H75

## Stainless steel kitchen sink

### Handcrafted

Contemporary style corners [0,75"]



#### Installation

Undermount

#### Bowl

L 15" × 16" × 10"

R 15" × 16" × 10"

#### Overall

33" × 18" × 10"

#### Recommended cabinet

36"

#### Drain

Ø 3 1/2"

#### Packaging

34" × 21 1/2" × 13"

38 lbs

## Features

- 304 brushed finish stainless steel (18/10) – 18 gauge
- Sound deadening pads for maximum noise reduction
- Drain located towards rear providing more space under the sink
- Stainless steel strainer (AA-SA-3.5-SA) and mounting hardware included
- Product certified ASME A112.19.3, CSA B45.0, and CSA B45.4

## Must-have accessories



**Grid**  
L IH-G-1516  
R IH-G-1516



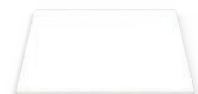
**Colander**  
IH-CA-16



**Bin**  
IH-BI-16



**Wood cutting board**  
IH-BA-16-MA



**Plastic cutting board**  
IH-BB-16-WH

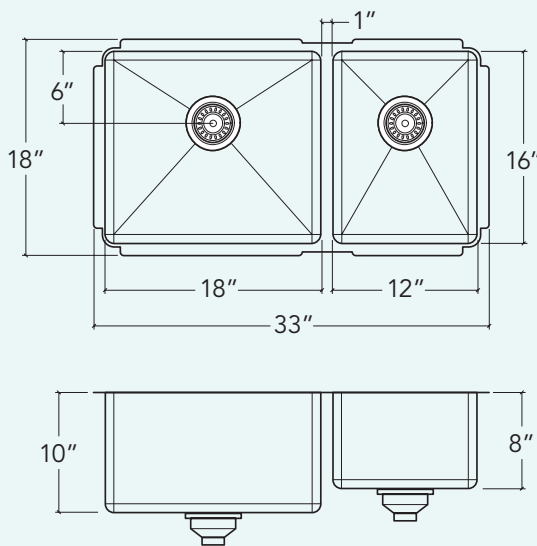
# IH75-UR-331810

ProInox H75

**Stainless steel kitchen sink**

**Handcrafted**

Contemporary style corners [0,75"]



## Installation

Undermount

## Bowl

L 18" × 16" × 10"

R 12" × 16" × 8"

## Overall

33" × 18" × 10"

## Recommended cabinet

36"

## Drain

Ø 3 1/2"

## Packaging

34" × 21 1/2" × 13"

35 lbs

## Features

- 304 brushed finish stainless steel (18/10) – 18 gauge
- Sound deadening pads for maximum noise reduction
- Drain located towards rear providing more space under the sink
- Stainless steel strainer (AA-SA-3.5-SA) and mounting hardware included
- Product certified ASME A112.19.3, CSA B45.0, and CSA B45.4

## Must-have accessories



### Grid

L IH-G-1816

R IH-G-1216



### Colander

IH-CA-16



### Bin

IH-BI-16



### Wood cutting board

IH-BA-16-MA



### Plastic cutting board

IH-BB-16-WH

# ProInox H75

**Stainless steel kitchen sinks**

**Handcrafted**

Contemporary style corners [0,75"]

Topmount



PRO  
CHEF

Sink IH75-TS-32209


# ProInox H75

Topmount

**Stainless steel kitchen sinks**

**Handcrafted**

Contemporary style corners [0,75"]

Cabinet <sup>1</sup>	Bowl	Overall	Model	Price <sup>2</sup>	Grid	Price <sup>2</sup>
21" 	16" x 16" x 9"	18" x 20" x 9"	IH75-TS-18209	\$ 720	IH-G-1616	\$ 160
24" 	21" x 16" x 9"	23" x 20" x 9"	IH75-TS-23209	\$ 745	IH-G-2116	\$ 165
30" 	25" x 16" x 9"	27" x 20" x 9"	IH75-TS-27209	\$ 810	IH-G-2516	\$ 170
33" 	30" x 16" x 9"	32" x 20" x 9"	IH75-TS-32209	\$ 890	IH-G-3016	\$ 175
33" 	14" x 16" x 9" 14" x 16" x 9"	31" x 20" x 9"	IH75-TE-31209	\$ 945	IH-G-1416	\$ 155
36" 	15" x 16" x 9" 15" x 16" x 9"	33" x 20" x 9"	IH75-TE-33209	\$ 1 070	IH-G-1516	\$ 160
36" 	18" x 16" x 9" 12" x 16" x 7"	33" x 20" x 9"	IH75-TR-33209	\$ 1 070	IH-G-1816 IH-G-1216	\$ 160 \$ 155

Included: Strainer(s) and mounting hardware.

Freight: \$ 40 per sink. FFA for orders of \$ 2 500 net or more providing order ships complete.

To place an order, contact Customer Service at [customerservice@prochef.ca](mailto:customerservice@prochef.ca).

(1) Recommended cabinet width; please check with cabinet manufacturer.

(2) Manufacturer-recommended retail price in effect on June 1<sup>st</sup>, 2017. Prices are in US dollars.

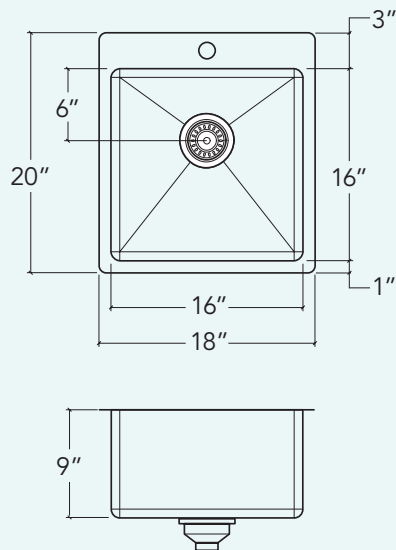
# IH75-TS-18209

**Prolinox H75**

**Stainless steel kitchen sink**

**Handcrafted**

Contemporary style corners [0,75"]



## Installation

Topmount

## Bowl

16" × 16" × 9"

## Overall

18" × 20" × 9"

## Recommended cabinet

21"

## Drain

Ø 3 ½"

## Packaging

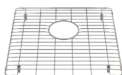
19" × 21 ½" × 13"

20 lbs

## Features

- 304 brushed finish stainless steel (18/10) – 18 gauge
- Single faucet hole (additional holes can be drilled at no charge)
- Sound deadening pads for maximum noise reduction
- Drain located towards rear providing more space under the sink
- Stainless steel strainer (AA-SA-3.5-SA) and mounting hardware included
- Product certified ASME A112.19.3, CSA B45.0, and CSA B45.4

## Must-have accessories



**Grid**  
IH-G-1616



**Colander**  
IH-CA-16



**Bin**  
IH-BI-16



**Wood cutting board**  
IH-BA-16-MA



**Plastic cutting board**  
IH-BB-16-WH

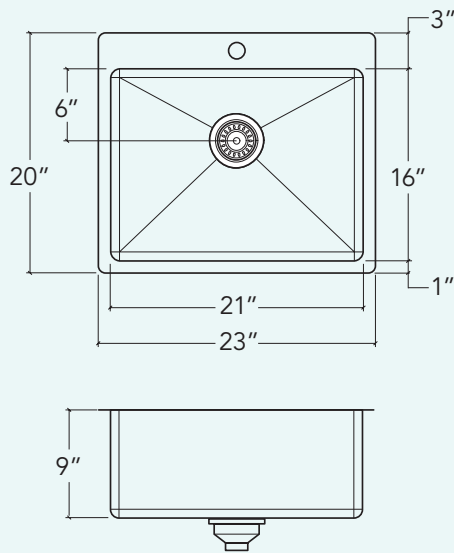
# IH75-TS-23209

**Prolinox H75**

**Stainless steel kitchen sink**

**Handcrafted**

Contemporary style corners [0,75"]



## Installation

Topmount

## Bowl

21" x 16" x 9"

## Overall

23" x 20" x 9"

## Recommended cabinet

24"

## Drain

Ø 3 1/2"

## Packaging

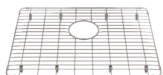
24" x 21 1/2" x 13"

23 lbs

## Features

- 304 brushed finish stainless steel (18/10) – 18 gauge
- Single faucet hole (additional holes can be drilled at no charge)
- Sound deadening pads for maximum noise reduction
- Drain located towards rear providing more space under the sink
- Stainless steel strainer (AA-SA-3.5-SA) and mounting hardware included
- Product certified ASME A112.19.3, CSA B45.0, and CSA B45.4

## Must-have accessories



**Grid**  
IH-G-2116



**Colander**  
IH-CA-16



**Bin**  
IH-BI-16



**Wood cutting board**  
IH-BA-16-MA



**Plastic cutting board**  
IH-BB-16-WH

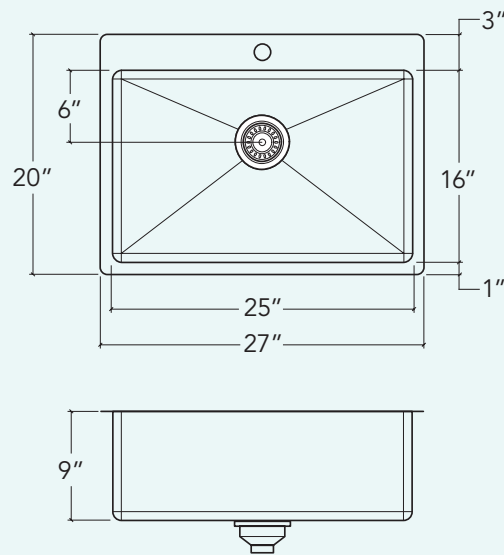
# IH75-TS-27209

ProInox H75

**Stainless steel kitchen sink**

**Handcrafted**

Contemporary style corners [0,75"]



## Installation

Topmount

## Bowl

25" × 16" × 9"

## Overall

27" × 20" × 9"

## Recommended cabinet

30"

## Drain

Ø 3 1/2"

## Packaging

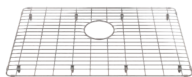
28" × 21 1/2" × 13"

25 lbs

## Features

- 304 brushed finish stainless steel (18/10) – 18 gauge
- Single faucet hole (additional holes can be drilled at no charge)
- Sound deadening pads for maximum noise reduction
- Drain located towards rear providing more space under the sink
- Stainless steel strainer (AA-SA-3.5-SA) and mounting hardware included
- Product certified ASME A112.19.3, CSA B45.0, and CSA B45.4

## Must-have accessories



**Grid**  
IH-G-2516



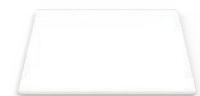
**Colander**  
IH-CA-16



**Bin**  
IH-BI-16



**Wood cutting board**  
IH-BA-16-MA



**Plastic cutting board**  
IH-BB-16-WH

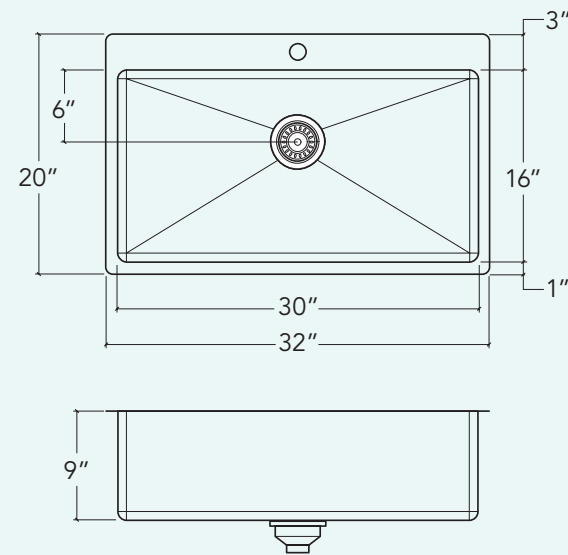
# IH75-TS-32209

ProInox H75

**Stainless steel kitchen sink**

**Handcrafted**

Contemporary style corners [0,75"]



## Installation

Topmount

## Bowl

30" x 16" x 9"

## Overall

32" x 20" x 9"

## Recommended cabinet

33"

## Drain

Ø 3 1/2"

## Packaging

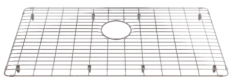
33" x 21 1/2" x 13"

31 lbs

## Features

- 304 brushed finish stainless steel (18/10) – 18 gauge
- Single faucet hole (additional holes can be drilled at no charge)
- Sound deadening pads for maximum noise reduction
- Drain located towards rear providing more space under the sink
- Stainless steel strainer (AA-SA-3.5-SA) and mounting hardware included
- Product certified ASME A112.19.3, CSA B45.0, and CSA B45.4

## Must-have accessories



**Grid**  
IH-G-3016



**Colander**  
IH-CA-16



**Bin**  
IH-BI-16



**Wood cutting board**  
IH-BA-16-MA



**Plastic cutting board**  
IH-BB-16-WH

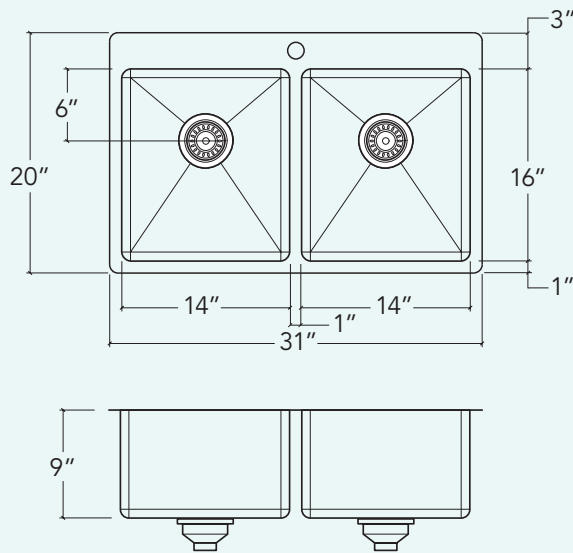
# IH75-TE-31209

ProInox H75

**Stainless steel kitchen sink**

**Handcrafted**

Contemporary style corners [0,75"]



## Installation

Topmount

## Bowl

L 14" x 16" x 9"

R 14" x 16" x 9"

## Overall

31" x 20" x 9"

## Recommended cabinet

33"

## Drain

Ø 3 1/2"

## Packaging

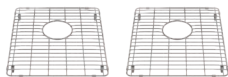
34" x 21 1/2" x 13"

38 lbs

## Features

- 304 brushed finish stainless steel (18/10) – 18 gauge
- Sound deadening pads for maximum noise reduction
- Drain located towards rear providing more space under the sink
- Stainless steel strainer (AA-SA-3.5-SA) and mounting hardware included
- Product certified ASME A112.19.3, CSA B45.0, and CSA B45.4

## Must-have accessories



**Grid**  
L IH-G-1416  
R IH-G-1416



**Colander**  
IH-CA-16



**Bin**  
IH-BI-16



**Wood cutting board**  
IH-BA-16-MA



**Plastic cutting board**  
IH-BB-16-WH

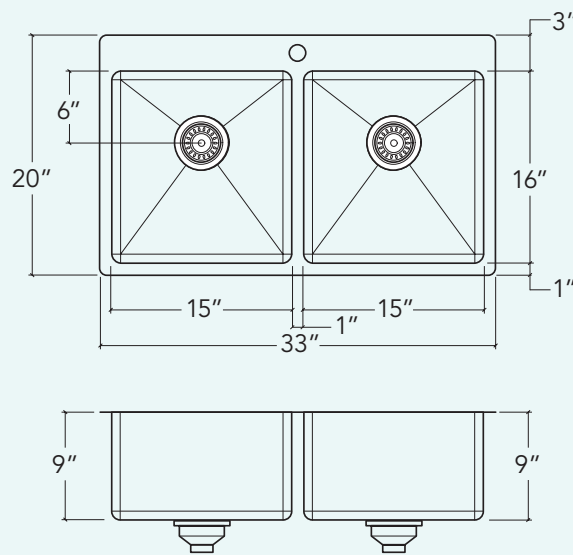
# IH75-TE-33209

Prolinox H75

**Stainless steel kitchen sink**

**Handcrafted**

Contemporary style corners [0,75"]



## Installation

Topmount

## Bowl

L 15" x 16" x 9"

R 15" x 16" x 9"

## Overall

33" x 20" x 9"

## Recommended cabinet

36"

## Drain

Ø 3 1/2"

## Packaging

34" x 21 1/2" x 13"

38 lbs

## Features

- 304 brushed finish stainless steel (18/10) – 18 gauge
- Single faucet hole (additional holes can be drilled at no charge)
- Sound deadening pads for maximum noise reduction
- Drain located towards rear providing more space under the sink
- Stainless steel strainer (AA-SA-3.5-SA) and mounting hardware included
- Product certified ASME A112.19.3, CSA B45.0, and CSA B45.4

## Must-have accessories



### Grid

L IH-G-1516

R IH-G-1516



### Colander

IH-CA-16



### Bin

IH-BI-16



### Wood cutting board

IH-BA-16-MA



### Plastic cutting board

IH-BB-16-WH

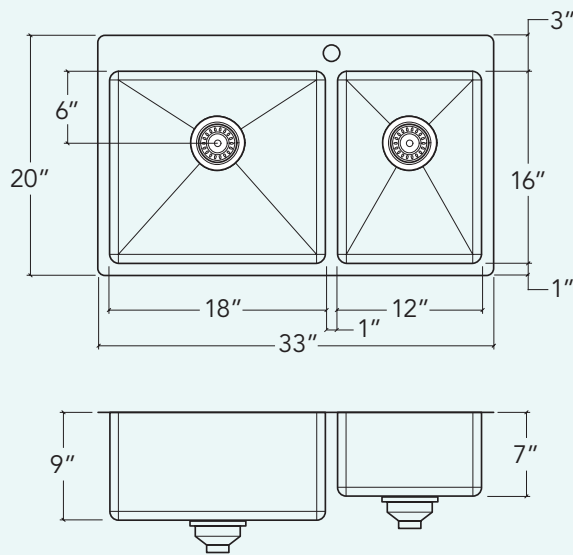
# IH75-TR-33209

Prolinox H75

**Stainless steel kitchen sink**

**Handcrafted**

Contemporary style corners [0,75"]



## Installation

Topmount

## Bowl

L 18" x 16" x 9"

R 12" x 16" x 7"

## Overall

33" x 20" x 9"

## Recommended cabinet

36"

## Drain

Ø 3 1/2"

## Packaging

34" x 21 1/2" x 13"

37 lbs

## Features

- 304 brushed finish stainless steel (18/10) – 18 gauge
- Single faucet hole (additional holes can be drilled at no charge)
- Sound deadening pads for maximum noise reduction
- Drain located towards rear providing more space under the sink
- Stainless steel strainer (AA-SA-3.5-SA) and mounting hardware included
- Product certified ASME A112.19.3, CSA B45.0, and CSA B45.4

## Must-have accessories



### Grid

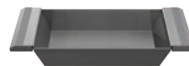
L IH-G-1816

R IH-G-1216



### Colander

IH-CA-16



### Bin

IH-BI-16



### Wood cutting board

IH-BA-16-MA



### Plastic cutting board

IH-BB-16-WH



# ProInox H75

Dualmount

Stainless steel utility sinks

Handcrafted

Contemporary style corners [0,75"]

---




# ProInox H75

Dualmount

**Stainless steel utility sinks**

**Handcrafted**

Contemporary style corners [0,75"]

Cabinet <sup>1</sup>	Bowl	Overall	Model	Price <sup>2</sup>	Grid	Price <sup>2</sup>
27" 	22" × 16" × 12"	25" × 22" × 12"	IH75-DS-252212	\$ 785	IH-G-2216	\$ 165

Included: Strainer(s) and mounting hardware.

Freight: \$ 40 per sink. FFA for orders of \$ 2 500 net or more providing order ships complete.

To place an order, contact Customer Service at [customerservice@prochef.ca](mailto:customerservice@prochef.ca).

(1) Recommended cabinet width; please check with cabinet manufacturer.

(2) Manufacturer-recommended retail price in effect on June 1<sup>st</sup>, 2017. Prices are in US dollars.

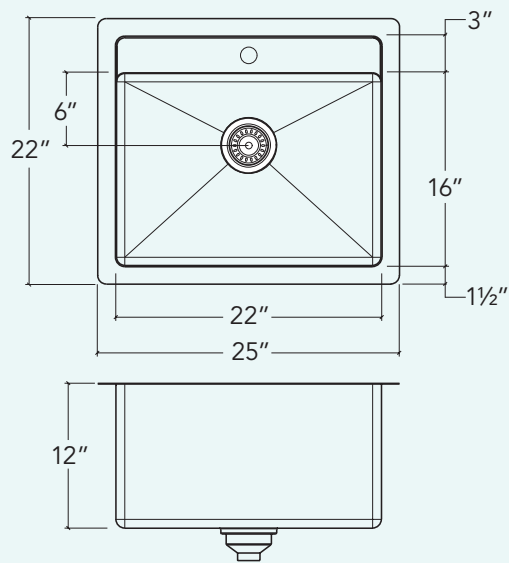
# IH75-DS-252212

Prolinox H75

**Stainless steel utility sink**

**Handcrafted**

Contemporary style corners [0,75"]



## Installation

Dualmount

## Bowl

22" x 16" x 12"

## Overall

25" x 22" x 12"

## Recommended cabinet

27"

## Drain

Ø 3 1/2"

## Packaging

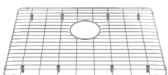
26" x 23" x 13"

25 lbs

## Features

- 304 brushed finish stainless steel (18/10) – 18 gauge
- Recessed faucet platform, ideal to place every day-use tools
- True dual mount sink, no faucet hole alignment required in undermount installation
- Single faucet hole (additional holes can be drilled at no charge)
- Sound deadening pads for maximum noise reduction
- Drain located towards rear providing more space under the sink
- Stainless steel strainer (AA-SA-3.5-SA) and mounting hardware included
- Product certified ASME A112.19.3, CSA B45.0, and CSA B45.4

## Must-have accessories



**Grid**  
IH-G-2216



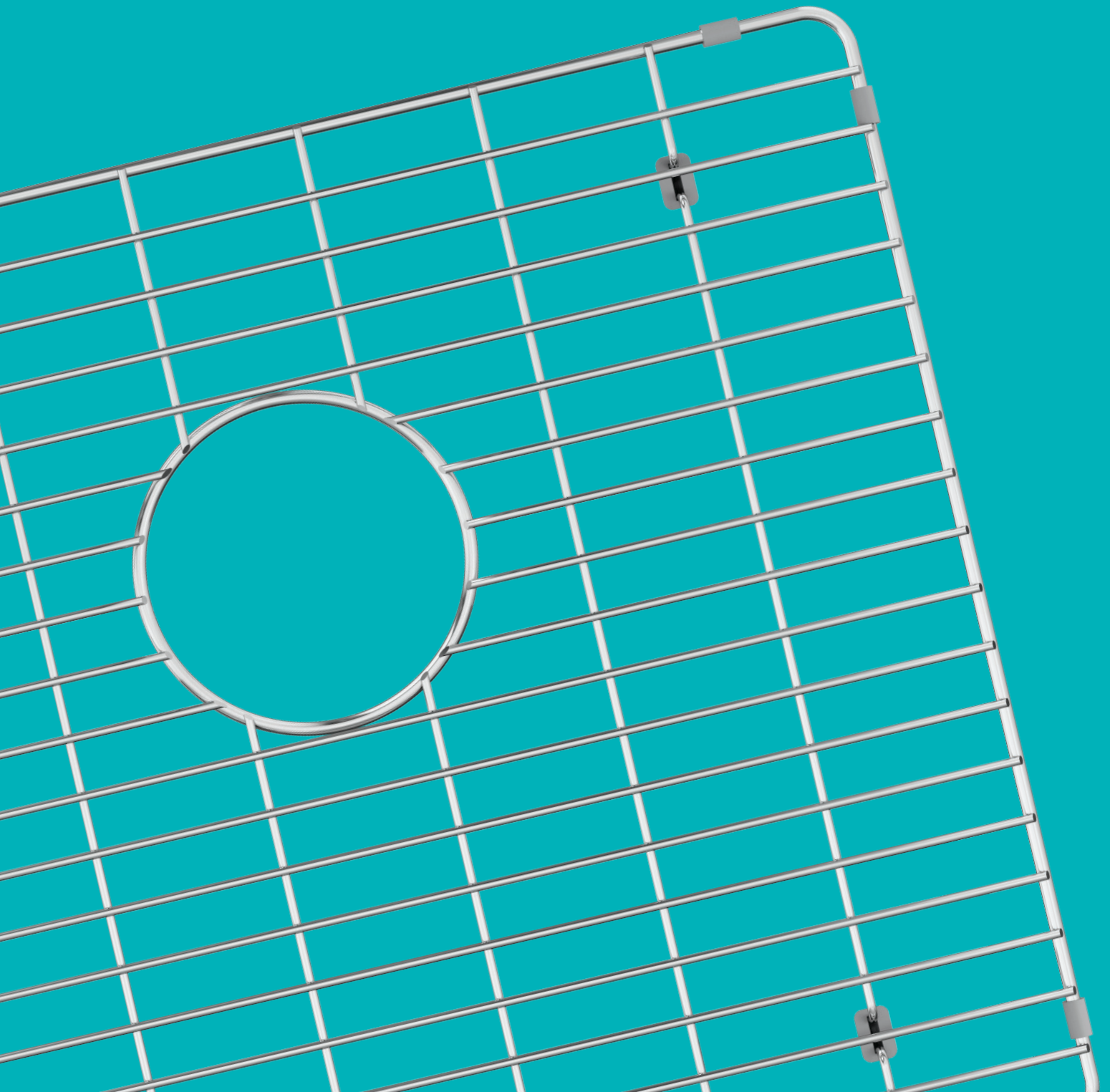
# ProInox H0 + H75

Accessories

**Grids, colanders, bins, cutting boards and strainers**

For stainless steel kitchen sink

---



# ProInox H0 + H75

Accessories

## Grids, colanders, bins, cutting boards and strainers

For stainless steel kitchen sink

Grids	Bowl	Overall	Model	Price <sup>1</sup>
	12" x 16"	11 5/8" x 15 5/8" x 1 1/4"	IH-G-1216	\$ 155
	14" x 16"	13 5/8" x 15 5/8" x 1 1/4"	IH-G-1416	\$ 155
	15" x 16"	14 5/8" x 15 5/8" x 1 1/4"	IH-G-1516	\$ 160
	16" x 16"	15 5/8" x 15 5/8" x 1 1/4"	IH-G-1616	\$ 160
	18" x 16"	17 5/8" x 15 5/8" x 1 1/4"	IH-G-1816	\$ 160
	21" x 16"	20 5/8" x 15 5/8" x 1 1/4"	IH-G-2116	\$ 165
	22" x 16"	21 5/8" x 15 5/8" x 1 1/4"	IH-G-2216	\$ 165
	25" x 16"	24 5/8" x 15 5/8" x 1 1/4"	IH-G-2516	\$ 170
	27" x 16"	26 5/8" x 15 5/8" x 1 1/4"	IH-G-2716	\$ 170
	30" x 16"	29 5/8" x 15 5/8" x 1 1/4"	IH-G-3016	\$ 175
Colanders	Bowl	Overall	Model	Price <sup>1</sup>
	All	6" x 17 1/8" x 3 1/4"	IH-CA-16	\$ 195
Bins	Bowl	Overall	Model	Price <sup>1</sup>
	All	6" x 17 1/8" x 3 1/4"	IH-BI-16	\$ 195
Cutting boards	Bowl	Overall	Model	Price <sup>1</sup>
	All	11 7/8" x 17 1/8" x 1 1/4"	IH-BA-16-MA	\$ 175
	All	12" x 16 1/2" x 3/4"	IH-BB-16-WH	\$ 150
Strainers	Bowl	Overall	Model	Price <sup>1</sup>
 included	All	4 1/2" x 2 3/4"	AA-SA-3.5-SA	\$ 55

Freight: \$ 20 per shipment (maximum 3 items). No additional charges when accessories are shipped with a sink. To place an order, contact Customer Service at [customerservice@prochef.ca](mailto:customerservice@prochef.ca).

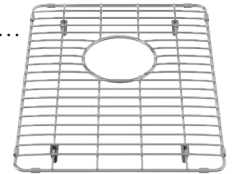
(1) Manufacturer-recommended retail price in effect on June 1<sup>st</sup>, 2017. Prices are in US dollars.

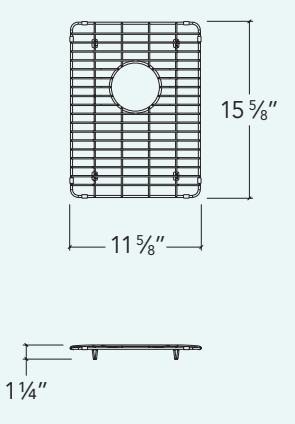
# IH-G-1216

ProInox H0 + H75

## Grid

For stainless steel kitchen sink



	<b>Bowl</b> 12" × 16"
	<b>Overall</b> 11 5/8" × 15 5/8" × 1 1/4"
	<b>Drain</b> Ø 3 1/2"
	<b>Packaging</b> 26" × 19 1/4" × 1 5/16" 4 lbs

## Features and benefits

- 304 electro polished stainless steel
- Silicone legs and bumpers prevent the grid from sliding around and scratching the sink
- Prevents dishes and silverware from striking the bottom of the sink
- Lets water drain away from items placed in the sink
- Provides a flat, stable surface to place things on

## Warranty

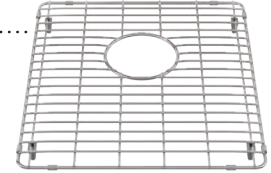
Prochef offers a 1-YEAR LIMITED WARRANTY following the purchase date for all mobile parts, options and accessories against defects of material and workmanship. This warranty is limited to defects or damages resulting from a normal residential use. For further details on our product warranty, please refer to our catalog or website.

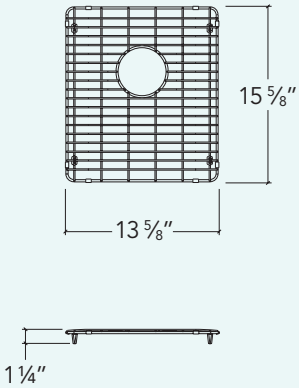
# IH-G-1416

ProInox H0 + H75

## Grid

For stainless steel kitchen sink



	<b>Bowl</b> 14" x 16"
	<b>Overall</b> 13 5/8" x 15 5/8" x 1 1/4"
	<b>Drain</b> Ø 3 1/2"
	<b>Packaging</b> 26" x 19 1/4" x 1 5/16" 4 lbs

## Features and benefits

- 304 electro polished stainless steel
- Silicone legs and bumpers prevent the grid from sliding around and scratching the sink
- Prevents dishes and silverware from striking the bottom of the sink
- Lets water drain away from items placed in the sink
- Provides a flat, stable surface to place things on

## Warranty

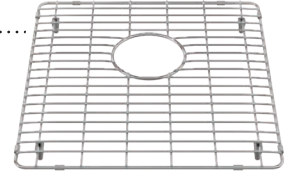
Prochef offers a 1-YEAR LIMITED WARRANTY following the purchase date for all mobile parts, options and accessories against defects of material and workmanship. This warranty is limited to defects or damages resulting from a normal residential use. For further details on our product warranty, please refer to our catalog or website.

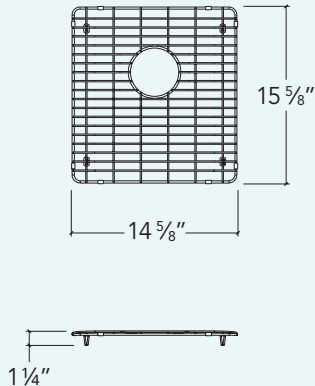
# IH-G-1516

ProInox H0 + H75

## Grid

For stainless steel kitchen sink



	<b>Bowl</b> 15" × 16"
	<b>Overall</b> 14 <sup>5</sup> / <sub>8</sub> " × 15 <sup>5</sup> / <sub>8</sub> " × 1 <sup>1</sup> / <sub>4</sub> "
	<b>Drain</b> Ø 3 <sup>1</sup> / <sub>2</sub> "
	<b>Packaging</b> 26" × 19 <sup>1</sup> / <sub>4</sub> " × 1 <sup>5</sup> / <sub>16</sub> " 5 lbs

## Features and benefits

- 304 electro polished stainless steel
- Silicone legs and bumpers prevent the grid from sliding around and scratching the sink
- Prevents dishes and silverware from striking the bottom of the sink
- Lets water drain away from items placed in the sink
- Provides a flat, stable surface to place things on

## Warranty

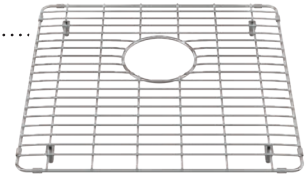
Prochef offers a 1-YEAR LIMITED WARRANTY following the purchase date for all mobile parts, options and accessories against defects of material and workmanship. This warranty is limited to defects or damages resulting from a normal residential use. For further details on our product warranty, please refer to our catalog or website.

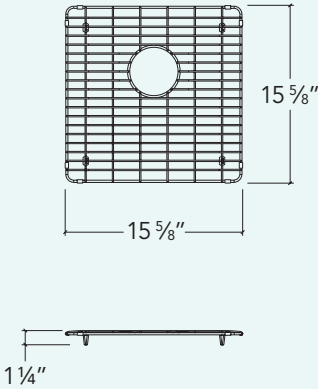
# IH-G-1616

ProInox H0 + H75

## Grid

For stainless steel kitchen sink



	<b>Bowl</b> 16" x 16"
	<b>Overall</b> 15 5/8" x 15 5/8" x 1 1/4"
	<b>Drain</b> Ø 3 1/2"
	<b>Packaging</b> 26" x 19 1/4" x 1 5/16" 5 lbs

## Features and benefits

- 304 electro polished stainless steel
- Silicone legs and bumpers prevent the grid from sliding around and scratching the sink
- Prevents dishes and silverware from striking the bottom of the sink
- Lets water drain away from items placed in the sink
- Provides a flat, stable surface to place things on

## Warranty

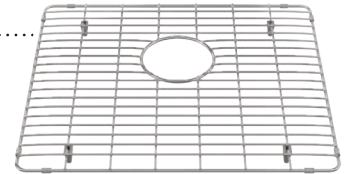
Prochef offers a 1-YEAR LIMITED WARRANTY following the purchase date for all mobile parts, options and accessories against defects of material and workmanship. This warranty is limited to defects or damages resulting from a normal residential use. For further details on our product warranty, please refer to our catalog or website.

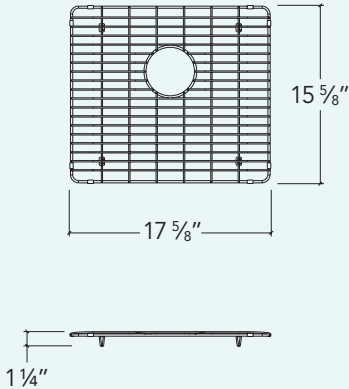
# IH-G-1816

ProInox H0 + H75

## Grid

For stainless steel kitchen sink



	<b>Bowl</b> 18" × 16"
	<b>Overall</b> 17 5/8" × 15 5/8" × 1 1/4"
	<b>Drain</b> Ø 3 1/2"
	<b>Packaging</b> 26" × 19 1/4" × 1 5/16" 5 lbs

## Features and benefits

- 304 electro polished stainless steel
- Silicone legs and bumpers prevent the grid from sliding around and scratching the sink
- Prevents dishes and silverware from striking the bottom of the sink
- Lets water drain away from items placed in the sink
- Provides a flat, stable surface to place things on

## Warranty

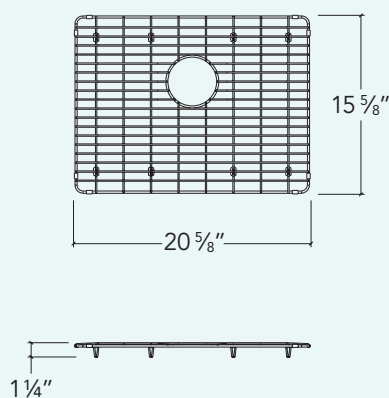
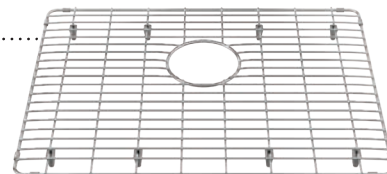
Prochef offers a 1-YEAR LIMITED WARRANTY following the purchase date for all mobile parts, options and accessories against defects of material and workmanship. This warranty is limited to defects or damages resulting from a normal residential use. For further details on our product warranty, please refer to our catalog or website.

# IH-G-2116

ProInox H0 + H75

## Grid

For stainless steel kitchen sink



### Bowl

21" x 16"

### Overall

20 5/8" x 15 5/8" x 1 1/4"

### Drain

Ø 3 1/2"

### Packaging

26" x 19 1/4" x 1 5/16"

6 lbs

## Features and benefits

- 304 electro polished stainless steel
- Silicone legs and bumpers prevent the grid from sliding around and scratching the sink
- Prevents dishes and silverware from striking the bottom of the sink
- Lets water drain away from items placed in the sink
- Provides a flat, stable surface to place things on

## Warranty

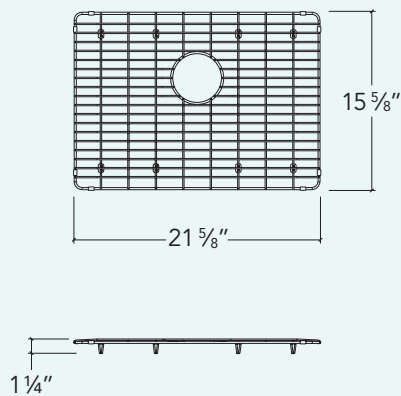
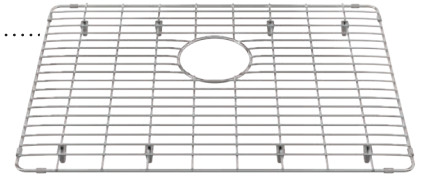
Prochef offers a 1-YEAR LIMITED WARRANTY following the purchase date for all mobile parts, options and accessories against defects of material and workmanship. This warranty is limited to defects or damages resulting from a normal residential use. For further details on our product warranty, please refer to our catalog or website.

# IH-G-2216

ProInox H0 + H75

## Grid

For stainless steel kitchen sink



### Bowl

22" x 16"

### Overall

21 5/8" x 15 5/8" x 1 1/4"

### Drain

Ø 3 1/2"

### Packaging

26" x 19 1/4" x 1 5/16"

6 lbs

## Features and benefits

- 304 electro polished stainless steel
- Silicone legs and bumpers prevent the grid from sliding around and scratching the sink
- Prevents dishes and silverware from striking the bottom of the sink
- Lets water drain away from items placed in the sink
- Provides a flat, stable surface to place things on

## Warranty

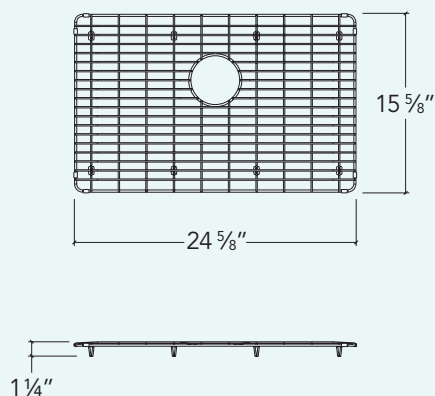
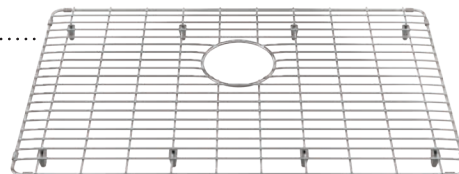
Prochef offers a 1-YEAR LIMITED WARRANTY following the purchase date for all mobile parts, options and accessories against defects of material and workmanship. This warranty is limited to defects or damages resulting from a normal residential use. For further details on our product warranty, please refer to our catalog or website.

# IH-G-2516

ProInox H0 + H75

## Grid

For stainless steel kitchen sink



### Bowl

25" × 16"

### Overall

24 5/8" × 15 5/8" × 1 1/4"

### Drain

Ø 3 1/2"

### Packaging

38" × 19 1/4" × 1 5/16"

7 lbs

## Features and benefits

- 304 electro polished stainless steel
- Silicone legs and bumpers prevent the grid from sliding around and scratching the sink
- Prevents dishes and silverware from striking the bottom of the sink
- Lets water drain away from items placed in the sink
- Provides a flat, stable surface to place things on

## Warranty

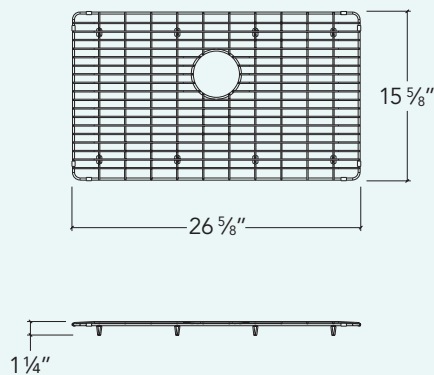
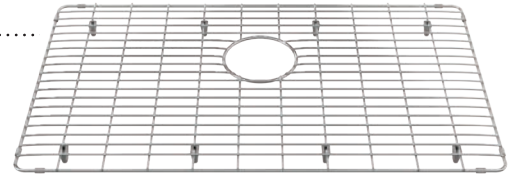
Prochef offers a 1-YEAR LIMITED WARRANTY following the purchase date for all mobile parts, options and accessories against defects of material and workmanship. This warranty is limited to defects or damages resulting from a normal residential use. For further details on our product warranty, please refer to our catalog or website.

# IH-G-2716

ProInox H0 + H75

## Grid

For stainless steel kitchen sink



### Bowl

27" x 16"

### Overall

26 5/8" x 15 5/8" x 1 1/4"

### Drain

Ø 3 1/2"

### Packaging

38" x 19 1/4" x 1 5/16"

8 lbs

## Features and benefits

- 304 electro polished stainless steel
- Silicone legs and bumpers prevent the grid from sliding around and scratching the sink
- Prevents dishes and silverware from striking the bottom of the sink
- Lets water drain away from items placed in the sink
- Provides a flat, stable surface to place things on

## Warranty

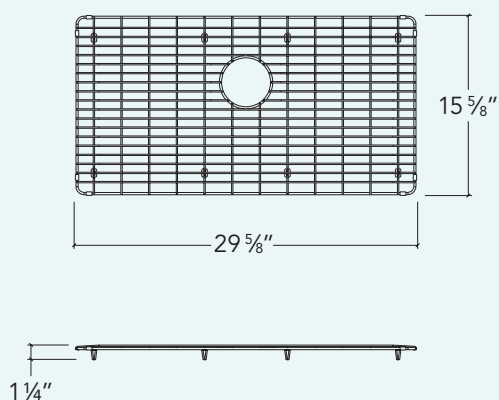
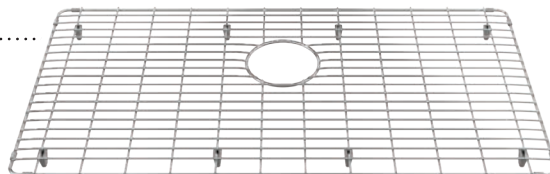
Prochef offers a 1-YEAR LIMITED WARRANTY following the purchase date for all mobile parts, options and accessories against defects of material and workmanship. This warranty is limited to defects or damages resulting from a normal residential use. For further details on our product warranty, please refer to our catalog or website.

# IH-G-3016

ProInox H0 + H75

## Grid

For stainless steel kitchen sink



### Bowl

30" x 16"

### Overall

29 5/8" x 15 5/8" x 1 1/4"

### Drain

Ø 3 1/2"

### Packaging

38" x 19 1/4" x 1 5/16"

8 lbs

## Features and benefits

- 304 electro polished stainless steel
- Silicone legs and bumpers prevent the grid from sliding around and scratching the sink
- Prevents dishes and silverware from striking the bottom of the sink
- Lets water drain away from items placed in the sink
- Provides a flat, stable surface to place things on

## Warranty

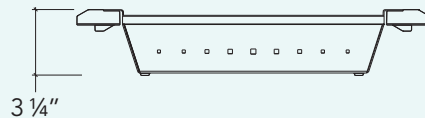
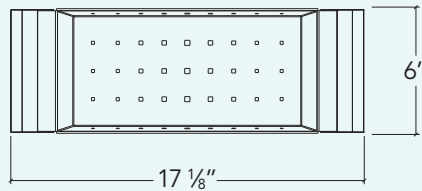
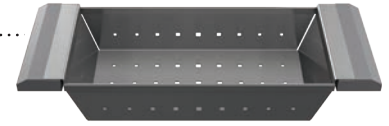
Prochef offers a 1-YEAR LIMITED WARRANTY following the purchase date for all mobile parts, options and accessories against defects of material and workmanship. This warranty is limited to defects or damages resulting from a normal residential use. For further details on our product warranty, please refer to our catalog or website.

# IH-CA-16

ProInox H0 + H75

## Colander

For stainless steel kitchen sink



### Bowl

All

### Overall

6" x 17 1/8" x 3 1/4"

### Packaging

9 1/4" x 21 1/2" x 5 7/8"

9 lbs

## Features and benefits

- 304 brushed finish stainless steel (18/10)
- Sits directly over the sink
- Plastic handles and footings prevent the colander from scratching the sink and the countertop
- Hygienic way to drain or rinse food

## Warranty

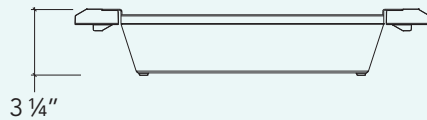
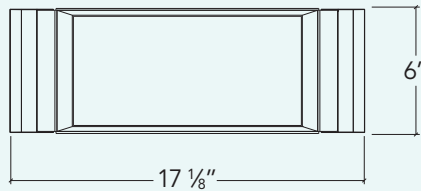
Prochef offers a 1-YEAR LIMITED WARRANTY following the purchase date for all mobile parts, options and accessories against defects of material and workmanship. This warranty is limited to defects or damages resulting from a normal residential use. For further details on our product warranty, please refer to our catalog or website.

# IH-BI-16

ProInox H0 + H75

## Bin

For stainless steel kitchen sink



### Bowl

All

### Overall

6" x 17 1/8" x 3 1/4"

### Packaging

9 1/4" x 21 1/2" x 5 7/8"

9 lbs

## Features and benefits

- 304 brushed finish stainless steel (18/10)
- Sits directly over the sink
- Plastic handles and footings prevent the colander from scratching the sink and the countertop
- Hygienic way to drain or rinse food

## Warranty

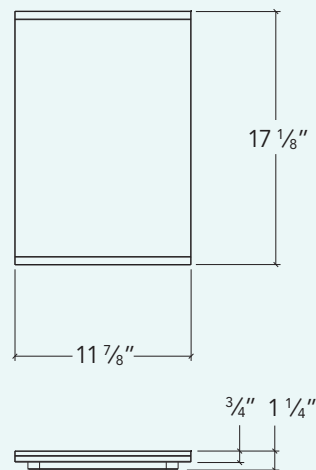
Prochef offers a 1-YEAR LIMITED WARRANTY following the purchase date for all mobile parts, options and accessories against defects of material and workmanship. This warranty is limited to defects or damages resulting from a normal residential use. For further details on our product warranty, please refer to our catalog or website.

# IH-BA-16-MA

Prolnox H0 + H75

## Wood cutting board

For stainless steel kitchen sink



### Bowl

All

### Overall

11 <sup>7</sup>/<sub>8</sub>" × 17 <sup>1</sup>/<sub>8</sub>" × 1 <sup>1</sup>/<sub>4</sub>"

### Packaging

12" × 18" × 1"

6 lbs

## Features and benefits

- 100% hard rock maple
- Rubbed oil finish
- Edge grain construction
- Sits directly over the sink
- Safe for all food preparation

## Warranty

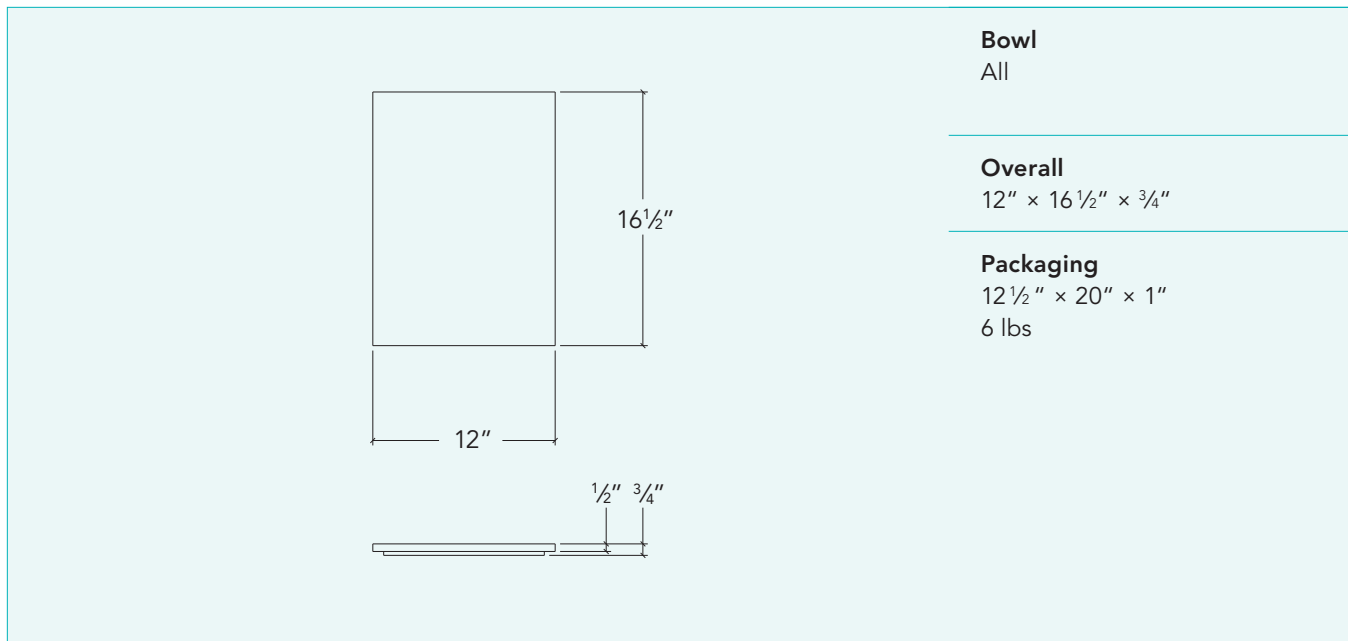
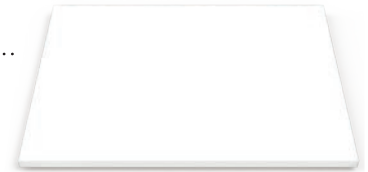
Prochef offers a 1-YEAR LIMITED WARRANTY following the purchase date for all mobile parts, options and accessories against defects of material and workmanship. This warranty is limited to defects or damages resulting from a normal residential use. For further details on our product warranty, please refer to our catalog or website.

# IH-BB-16-WH

Prolnox H0 + H75

## Plastic cutting board

For stainless steel kitchen sink



## Features and benefits

- HDPE Sanalite® material
- White color plastic
- Sits directly over the sink
- NSF certified and meet FDA Regulation, safe for all food preparation

## Warranty

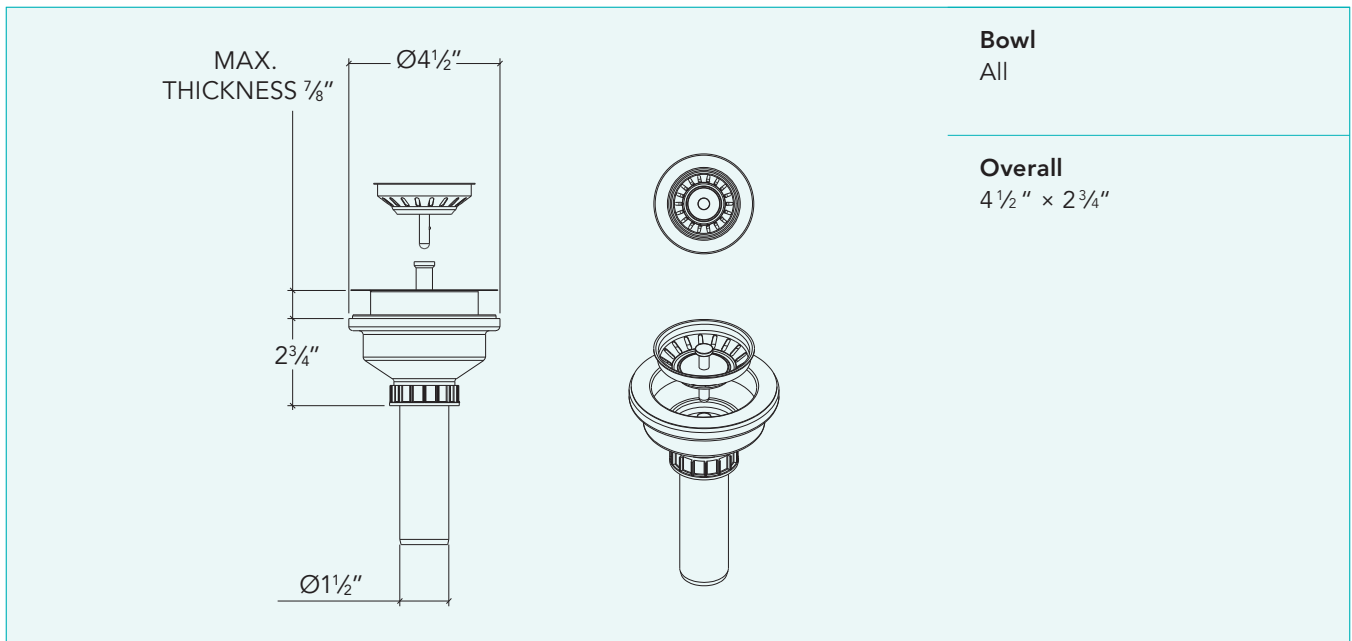
Prochef offers a 1-YEAR LIMITED WARRANTY following the purchase date for all mobile parts, options and accessories against defects of material and workmanship. This warranty is limited to defects or damages resulting from a normal residential use. For further details on our product warranty, please refer to our catalog or website.

# AA-SA-3.5-SA

ProInox H0 + H75

## Strainer

For stainless steel kitchen sink



## Features and benefits

- Stainless steel basket and strainer
- Polypropylene body
- 1 1/2" x 4" tailpiece included
- Removable basket

## Warranty

Prochef offers a 1-YEAR LIMITED WARRANTY following the purchase date for all mobile parts, options and accessories against defects of material and workmanship. This warranty is limited to defects or damages resulting from a normal residential use. For further details on our product warranty, please refer to our catalog or website.



# ProInox E200

**Stainless steel kitchen sinks**

**Embossed**

With rounded corners [2"]

---

## Worthy of top chefs

The stainless steel used in top restaurants is highly durable. That's why we chose the same material for our ProInox E200 sinks. With an extremely resistant brushed finish, they're a breeze to clean, and their style suits any décor. Kitchen enthusiasts, here's your chance to get a professional quality sink.





# ProInox E200 Warranty

---

## Sinks

Prochef offers a LIMITED LIFETIME WARRANTY on the fixed components of its ProInox E200 sinks, ensuring them against defects of material and workmanship. This warranty is limited to defects or damages resulting from a normal residential use and does not cover the following:

- Surface corrosion (chemical or natural)
- Scuffs or scratches
- Misuse, abnormal or abusive use
- Dents, deformations caused by the impact of any object
- Common signs of wear and tear
- Improper installation, care and/or maintenance
- Commercial use
- Environmental factors causing damage
- Shipping or freight damage

## Accessories

Prochef offers a 1-YEAR LIMITED WARRANTY on all mobile parts, options and accessories against defects of material and workmanship. This warranty is limited to defects or damages resulting from a normal residential use and does not cover the following:

- Surface corrosion (chemical or natural)
- Scuffs or scratches
- Misuse, abnormal or abusive use
- Dents, deformations caused by the impact of any object
- Common signs of wear and tear
- Improper installation, care and/or maintenance
- Commercial use
- Environmental factors causing damage
- Shipping or freight damage

## Generalities

Prochef may at its sole discretion, repair, replace or make appropriate adjustments to the products or components proven to be defective in order to restore to good working condition.

In no event, even if product or components are found to be defective, shall Prochef's liability exceed the price paid for the product. Prochef reserves the right to inspect the installation prior to the replacement or repair of the product or its component parts. Prochef may at its discretion require pictures prior to analyzing the claim. This limited warranty is null and void if the product or components have been repaired, altered or modified other than by Prochef or under its supervision.

This limited warranty replaces any and all other warranty, expressed or implied, including implied warranties of merchantability or fitness for a particular purpose. Laws governing product warranties may vary from one state or province to another. This warranty is not intended to contravene to the public order and shall not be so interpreted. This limited warranty extends only to the original owner/end user in residential applications and is not transferable to any subsequent purchaser. In the event of a warranty claim, original proof of purchase (sales receipt) will be required. Shipping and handling costs (for returning the product or components for repairs or to replace product or components) are not covered under this limited warranty. Also excluded from this limited warranty is any labour, workmanship or other costs incurred in connection with the product or components removal, repairs, replacement, adjustment or installation and any incidental or consequential damages.

Warranty will be null and void for any damage resulting from installation not respecting the instructions and Prochef will not be held responsible for any costs incurred. In the event of a limited warranty claim, original proof of purchase will be required – save original sales receipt.

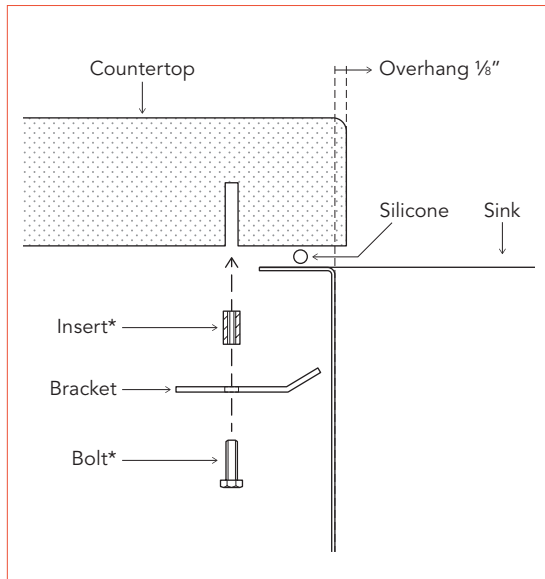
If you believe you have a warranty claim or for more information on the warranty of our products, please contact our customer service.

**1 855 687-8192**  
**customerservice@prochef.ca**

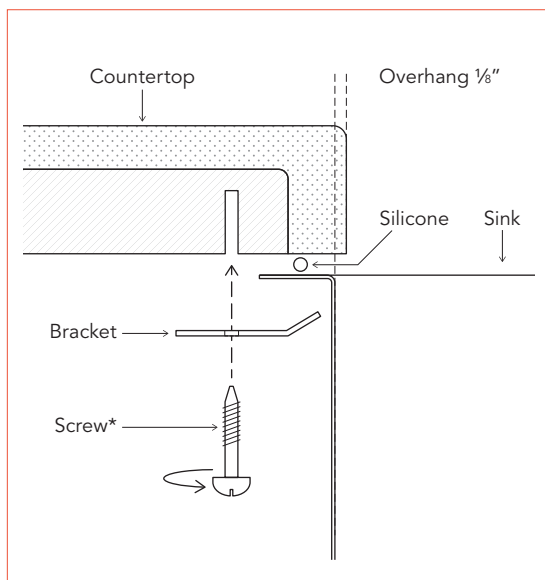
# Pro Inox E200

## Undermount installation

A. Countertop made of granite, quartz, marble or other stone surface



B. Countertop made of granite, quartz, marble or other stone surface on a wood base



\* Not included

## Maintenance

Follow one simple rule to keep your sink in good condition:  
Clean it regularly.

### Daily

Clean the sink with a sponge or a soft cloth.

Use mild soap (dish soap) or an all-purpose, non-abrasive liquid cleanser that contains no chlorines or acid.

Always rinse with warm water and wipe with a dry cloth to prevent calcium buildup.

Use a bottom grid to protect the metal from wear and scratches.

### Precautions

Do not scrub the sink with steel wool or scouring pads.

Do not use abrasive cleansers or products containing chlorines or acid.

Do not use silver polish or grout cleaning products, which can discolor the finish and leave stains.

Use a water and vinegar solution to loosen calcium buildup.

Do not leave mustard, mayonnaise, lemon juice, grease, fat, and other food residue to sit in the sink. Be sure to rinse your sink with plenty of water.

Do not place a rubber mat on the bottom of your sink. Food, water, and cleaning products can cling to it and create stains.

# ProInox E200

**Stainless steel kitchen sinks**  
**Embossed**  
With rounded corners [2"]

---

**Undermount**



PRO  
CHEF  
E200

# ProInox E200

Undermount

**Stainless steel kitchen sinks**

**Embossed**

With rounded corners [2"]

Cabinet <sup>1</sup>	Bowl	Overall	Model	Price <sup>2</sup>	Grid	Price <sup>2</sup>
18" 	13" x 11" x 7"	14 3/4" x 12 3/4" x 7"	IE200-US-14127	\$ 408	N/A	
18" 	14" x 16" x 9"	15 3/4" x 17 3/4" x 9"	IE200-US-15179	\$ 470	IE-G-1416	\$ 140
27" 	21" x 16" x 9"	22 3/4" x 17 3/4" x 9"	IE200-US-22179	\$ 610	IE-G-2116	\$ 165
27" 	23" x 17" x 9"	24 3/4" x 18 3/4" x 9"	IE200-US-24189	\$ 650	IE-G-2317	\$ 140
33" 	29" x 16" x 9"	30 3/4" x 17 3/4" x 9"	IE200-US-30179	\$ 695	IE-G-2916	\$ 185
36" 	14" x 16" x 9" 14" x 16" x 9"	30 7/8" x 17 3/4" x 9"	IE200-UE-30179	\$ 795	IE-G-1416	\$ 140
36" 	15" x 17" x 9" 14" x 16" x 8"	31 7/8" x 18 3/4" x 9"	IE200-UR-31189	\$ 785	IE-G-1517 IE-G-1416	\$ 140 \$ 140

Included: Strainer(s) and mounting hardware.

Freight: \$ 40 per sink. FFA for orders of \$ 2 500 net or more providing order ships complete.

To place an order, contact Customer Service at [customerservice@prochef.ca](mailto:customerservice@prochef.ca).

(1) Recommended cabinet width; please check with cabinet manufacturer.

(2) Manufacturer-recommended retail price in effect on June 1<sup>st</sup>, 2017. Prices are in US dollars.

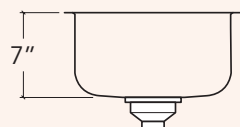
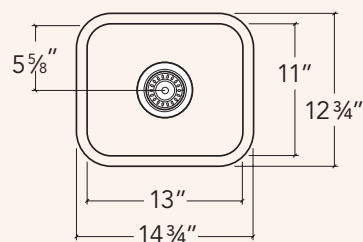
# IE200-US-14127

ProInox E200

**Stainless steel kitchen sink**

**Embossed**

With rounded corners [2"]



## Installation

Undermount

## Bowl

13" x 11" x 7"

## Overall

14<sup>3</sup>/<sub>4</sub>" x 12<sup>3</sup>/<sub>4</sub>" x 7"

## Recommended cabinet

18"

## Drain

Ø 3 1/2"

## Packaging

17" x 15" x 9"

12 lbs

## Features

- 304 brushed finish stainless steel (18/10)
- Coated to dampen sound and limit condensation
- Drain located towards rear providing more space under the sink
- Stainless steel strainer (AA-SA-3.5-SA) and mounting hardware included
- Product certified ASME A112.19.3, CSA B45.0, and CSA B45.4

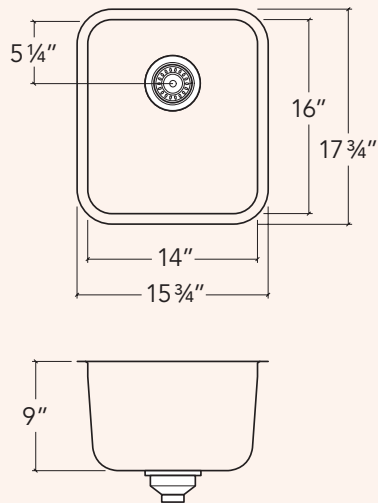
# IE200-US-15179

ProInox E200

**Stainless steel kitchen sink**

**Embossed**

With rounded corners [2"]



## Installation

Undermount

## Bowl

14" x 16" x 9"

## Overall

15 3/4" x 17 3/4" x 9"

## Recommended cabinet

18"

## Drain

Ø 3 1/2"

## Packaging

20" x 20" x 10"

13 lbs

## Features

- 304 brushed finish stainless steel (18/10)
- Coated to dampen sound and limit condensation
- Drain located towards rear providing more space under the sink
- Stainless steel strainer (AA-SA-3.5-SA) and mounting hardware included
- Product certified ASME A112.19.3, CSA B45.0, and CSA B45.4

## Must-have accessories



Grid

IE-G-1416

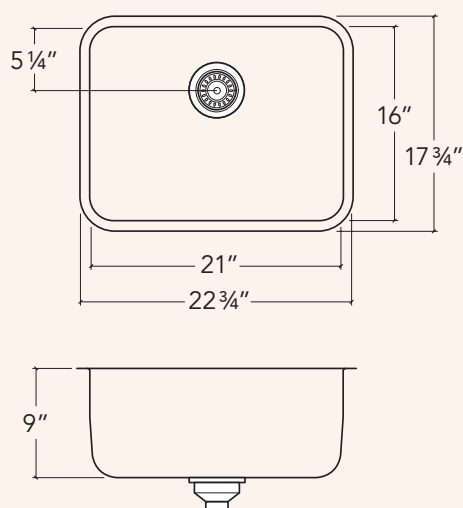
# IE200-US-22179

ProInox E200

**Stainless steel kitchen sink**

**Embossed**

With rounded corners [2"]



## Installation

Undermount

## Bowl

21" x 16" x 9"

## Overall

22 3/4" x 17 3/4" x 9"

## Recommended cabinet

27"

## Drain

Ø 3 1/2"

## Packaging

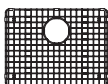
27" x 21" x 10"

18 lbs

## Features

- 304 brushed finish stainless steel (18/10)
- Coated to dampen sound and limit condensation
- Drain located towards rear providing more space under the sink
- Stainless steel strainer (AA-SA-3.5-SA) and mounting hardware included
- Product certified ASME A112.19.3, CSA B45.0, and CSA B45.4

## Must-have accessories



Grid  
IE-G-2116

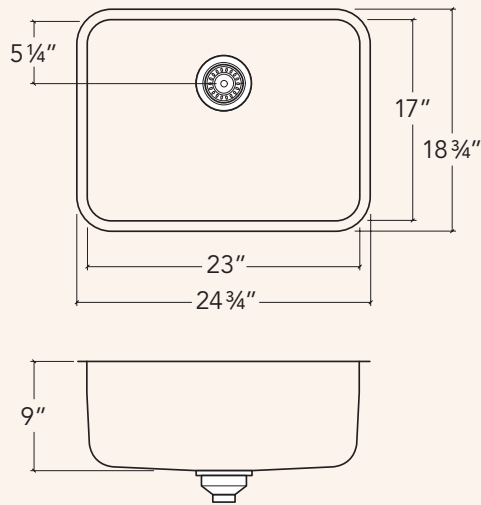
# IE200-US-24189

ProInox E200

**Stainless steel kitchen sink**

**Embossed**

With rounded corners [2"]



## Installation

Undermount

## Bowl

23" x 17" x 9"

## Overall

24 3/4" x 18 3/4" x 9"

## Recommended cabinet

27"

## Drain

Ø 3 1/2"

## Packaging

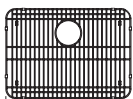
27" x 21" x 10"

20 lbs

## Features

- 304 brushed finish stainless steel (18/10)
- Coated to dampen sound and limit condensation
- Drain located towards rear providing more space under the sink
- Stainless steel strainer (AA-SA-3.5-SA) and mounting hardware included
- Product certified ASME A112.19.3, CSA B45.0, and CSA B45.4

## Must-have accessories



Grid  
IE-G-2317

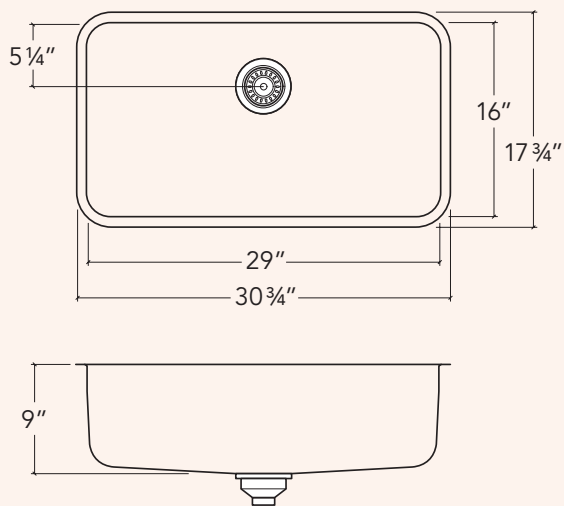
# IE200-US-30179

ProInox E200

**Stainless steel kitchen sink**

**Embossed**

With rounded corners [2"]



## Installation

Undermount

## Bowl

29" x 16" x 9"

## Overall

30 3/4" x 17 3/4" x 9"

## Recommended cabinet

33"

## Drain

Ø 3 1/2"

## Packaging

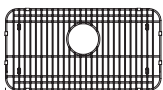
33" x 20" x 11"

23 lbs

## Features

- 304 brushed finish stainless steel (18/10)
- Coated to dampen sound and limit condensation
- Drain located towards rear providing more space under the sink
- Stainless steel strainer (AA-SA-3.5-SA) and mounting hardware included
- Product certified ASME A112.19.3, CSA B45.0, and CSA B45.4

## Must-have accessories



Grid  
IE-G-2916

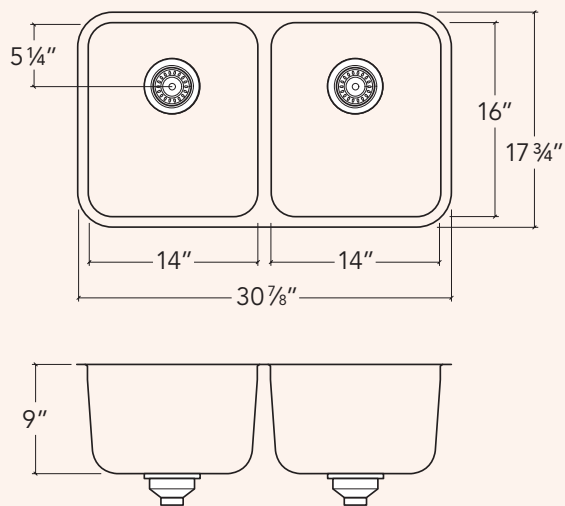
# IE200-UE-30179

ProInox E200

**Stainless steel kitchen sink**

**Embossed**

With rounded corners [2"]



## Installation

Undermount

## Bowl

L 14" x 16" x 9"

R 14" x 16" x 9"

## Overall

30 7/8" x 17 3/4" x 9"

## Recommended cabinet

36"

## Drain

Ø 3 1/2"

## Packaging

33" x 20" x 11"

26 lbs

## Features

- 304 brushed finish stainless steel (18/10)
- Coated to dampen sound and limit condensation
- Drain located towards rear providing more space under the sink
- Stainless steel strainer (AA-SA-3.5-SA) and mounting hardware included
- Product certified ASME A112.19.3, CSA B45.0, and CSA B45.4

## Must-have accessories



### Grid

L IE-G-1416

R IE-G-1416

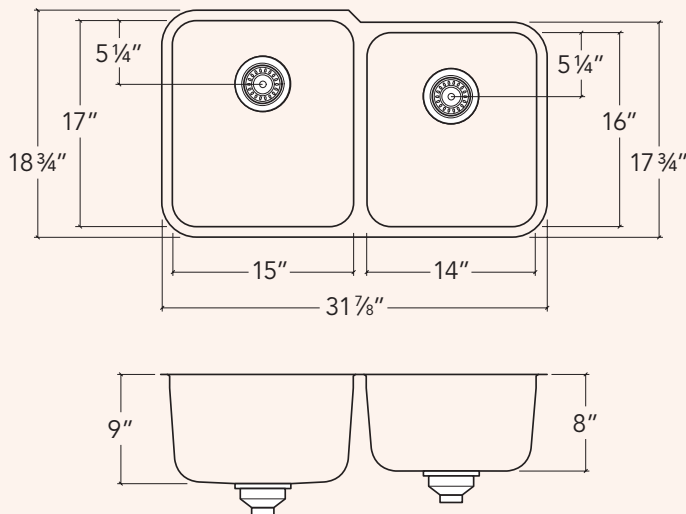
# IE200-UR-31189

ProInox E200

**Stainless steel kitchen sink**

**Embossed**

With rounded corners [2"]



## Installation

Undermount

## Bowl

L 15" × 17" × 9"

R 14" × 16" × 8"

## Overall

31 7/8" × 18 3/4" × 9"

## Recommended cabinet

36"

## Drain

Ø 3 1/2"

## Packaging

33" × 20" × 11"

26 lbs

## Features

- 304 brushed finish stainless steel (18/10)
- Coated to dampen sound and limit condensation
- Drain located towards rear providing more space under the sink
- Stainless steel strainer (AA-SA-3.5-SA) and mounting hardware included
- Product certified ASME A112.19.3, CSA B45.0, and CSA B45.4

## Must-have accessories



### Grid

L IE-G-1517

R IE-G-1416



# ProInox E350

**Stainless steel kitchen sinks**

**Embossed**

With rounded corners [3,5"]

---

## All the space you need for your greatest creations

Big pots, huge casseroles, and large frying pans... ProInox E350 sinks are specially designed with generous dimensions to accommodate your biggest cooking implements. Both their material and finish are extremely resistant. With a ProInox E350 sink, you will be equipped like a true pro to create fabulous feasts.





# ProInox E350 Warranty

---

## Sinks

Prochef offers a LIMITED LIFETIME WARRANTY on the fixed components of its ProInox E350 sinks, ensuring them against defects of material and workmanship. This warranty is limited to defects or damages resulting from a normal residential use and does not cover the following:

- Surface corrosion (chemical or natural)
- Scuffs or scratches
- Misuse, abnormal or abusive use
- Dents, deformations caused by the impact of any object
- Common signs of wear and tear
- Improper installation, care and/or maintenance
- Commercial use
- Environmental factors causing damage
- Shipping or freight damage

## Accessories

Prochef offers a 1-YEAR LIMITED WARRANTY on all mobile parts, options and accessories against defects of material and workmanship. This warranty is limited to defects or damages resulting from a normal residential use and does not cover the following:

- Surface corrosion (chemical or natural)
- Scuffs or scratches
- Misuse, abnormal or abusive use
- Dents, deformations caused by the impact of any object
- Common signs of wear and tear
- Improper installation, care and/or maintenance
- Commercial use
- Environmental factors causing damage
- Shipping or freight damage

## Generalities

Prochef may at its sole discretion, repair, replace or make appropriate adjustments to the products or components proven to be defective in order to restore to good working condition.

In no event, even if product or components are found to be defective, shall Prochef's liability exceed the price paid for the product. Prochef reserves the right to inspect the installation prior to the replacement or repair of the product or its component parts. Prochef may at its discretion require pictures prior to analyzing the claim. This limited warranty is null and void if the product or components have been repaired, altered or modified other than by Prochef or under its supervision.

This limited warranty replaces any and all other warranty, expressed or implied, including implied warranties of merchantability or fitness for a particular purpose. Laws governing product warranties may vary from one state or province to another. This warranty is not intended to contravene to the public order and shall not be so interpreted. This limited warranty extends only to the original owner/end user in residential applications and is not transferable to any subsequent purchaser. In the event of a warranty claim, original proof of purchase (sales receipt) will be required. Shipping and handling costs (for returning the product or components for repairs or to replace product or components) are not covered under this limited warranty. Also excluded from this limited warranty is any labour, workmanship or other costs incurred in connection with the product or components removal, repairs, replacement, adjustment or installation and any incidental or consequential damages.

Warranty will be null and void for any damage resulting from installation not respecting the instructions and Prochef will not be held responsible for any costs incurred. In the event of a limited warranty claim, original proof of purchase will be required – save original sales receipt.

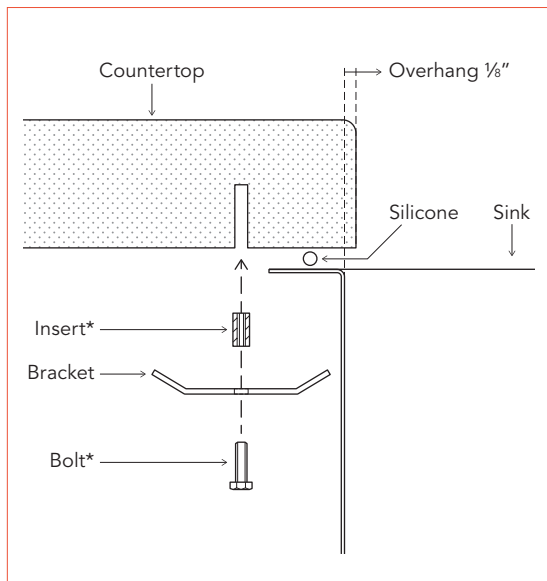
If you believe you have a warranty claim or for more information on the warranty of our products, please contact our customer service.

**1 855 687-8192**  
**customerservice@prochef.ca**

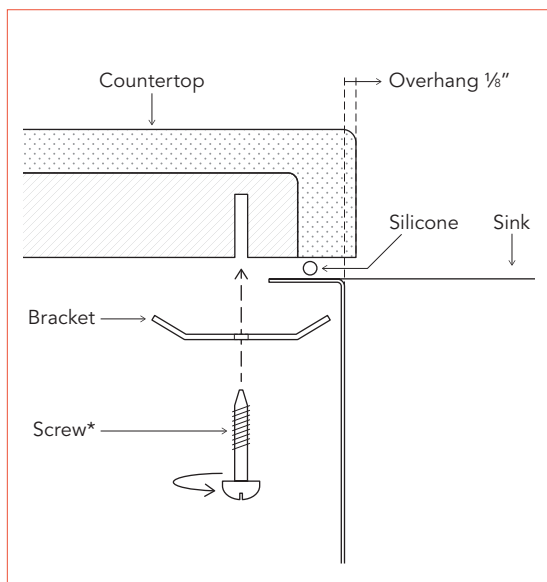
# ProInox E350

## Undermount installation

A. Countertop made of granite, quartz, marble or other stone surface



B. Countertop made of granite, quartz, marble or other stone surface on a wood base



\* Not included

## Maintenance

Follow one simple rule to keep your sink in good condition:  
Clean it regularly.

### Daily

Clean the sink with a sponge or a soft cloth.

Use mild soap (dish soap) or an all-purpose, non-abrasive liquid cleanser that contains no chlorines or acid.

Always rinse with warm water and wipe with a dry cloth to prevent calcium buildup.

Use a bottom grid to protect the metal from wear and scratches.

### Precautions

Do not scrub the sink with steel wool or scouring pads.

Do not use abrasive cleansers or products containing chlorines or acid.

Do not use silver polish or grout cleaning products, which can discolor the finish and leave stains.

Use a water and vinegar solution to loosen calcium buildup.

Do not leave mustard, mayonnaise, lemon juice, grease, fat, and other food residue to sit in the sink. Be sure to rinse your sink with plenty of water.

Do not place a rubber mat on the bottom of your sink. Food, water, and cleaning products can cling to it and create stains.

# ProInox E350

**Stainless steel kitchen sinks**

**Embossed**

With rounded corners [3,5"]

---

Undermount







# ProInox E350

Undermount

**Stainless steel kitchen sinks**

**Embossed**

With rounded corners [3,5"]

Cabinet <sup>1</sup>	Bowl	Overall	Model	Price <sup>2</sup>	Grid	Price <sup>2</sup>
21" 	Ø 16" × 9"	18 1/8" × 9"	IE350-US-189	\$ 425	IE-G-169	\$ 175
24" 	17 3/4" × 18 1/2" × 9"	19 1/2" × 20 1/4" × 9"	IE350-US-19209	\$ 540	IE-G-1718	\$ 140
27" 	21 1/4" × 18 3/4" × 9"	23" × 20 1/2" × 9"	IE350-US-23209	\$ 560	IE-G-2118	\$ 140
36" 	17 3/4" × 18 1/2" × 9" 10 5/8" × 16" × 7"	31 1/8" × 20 1/4" × 9"	IE350-UR-31209	\$ 840	IE-G-1718 IE-G-1016	\$ 140 \$ 140

Included: Strainer(s) and mounting hardware.

Freight: \$ 40 per sink. FFA for orders of \$ 2 500 net or more providing order ships complete.

To place an order, contact Customer Service at [customerservice@prochef.ca](mailto:customerservice@prochef.ca).

(1) Recommended cabinet width; please check with cabinet manufacturer.

(2) Manufacturer-recommended retail price in effect on June 1<sup>st</sup>, 2017. Prices are in US dollars.

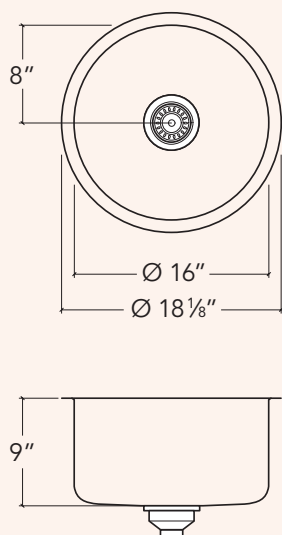
# IE350-US-189

ProInox E350

**Stainless steel kitchen sink**

**Embossed**

With rounded corners [3,5"]



## Installation

Undermount

## Bowl

Ø 16" x 9"

## Overall

Ø 18 1/8" x 9"

## Recommended cabinet

21"

## Drain

Ø 3 1/2"

## Packaging

20" x 20" x 10"

14 lbs

## Features

- 304 brushed finish stainless steel (18/10)
- Coated to dampen sound and limit condensation
- Centered drain
- Stainless steel strainer (AA-SA-3.5-SA) and mounting hardware included
- Product certified ASME A112.19.3, CSA B45.0, and CSA B45.4

## Must-have accessories



**Grid**  
IE-G-169

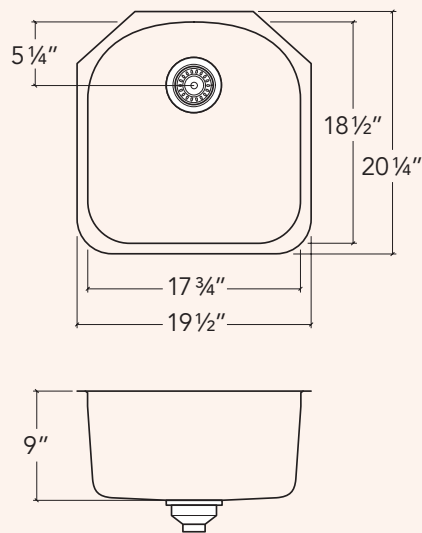
# IE350-US-19209

ProInox E350

**Stainless steel kitchen sink**

**Embossed**

With rounded corners [3,5"]



## Installation

Undermount

## Bowl

17 3/4" x 18 1/2" x 9"

## Overall

19 1/2" x 20 1/4" x 9"

## Recommended cabinet

24"

## Drain

Ø 3 1/2"

## Packaging

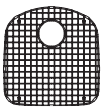
22" x 22" x 10"

18 lbs

## Features

- 304 brushed finish stainless steel (18/10)
- Coated to dampen sound and limit condensation
- Drain located towards rear providing more space under the sink
- Stainless steel strainer (AA-SA-3.5-SA) and mounting hardware included
- Product certified ASME A112.19.3, CSA B45.0, and CSA B45.4

## Must-have accessories



Grid

IE-G-1718

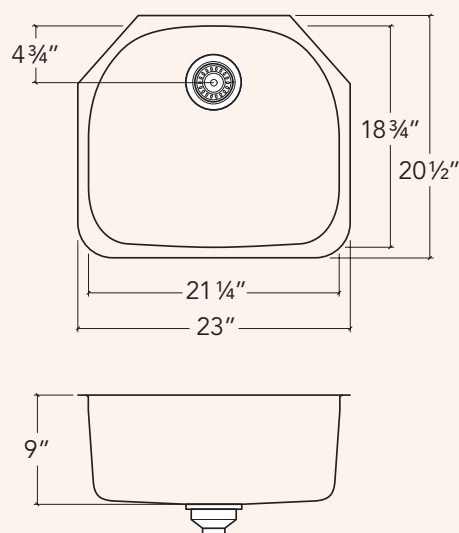
# IE350-US-23209

ProInox E350

**Stainless steel kitchen sink**

**Embossed**

With rounded corners [3,5"]



## Installation

Undermount

## Bowl

21 1/4" × 18 3/4" × 9"

## Overall

23" × 20 1/2" × 9"

## Recommended cabinet

27"

## Drain

Ø 3 1/2"

## Packaging

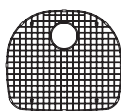
24" × 22" × 10"

20 lbs

## Features

- 304 brushed finish stainless steel (18/10)
- Coated to dampen sound and limit condensation
- Drain located towards rear providing more space under the sink
- Stainless steel strainer (AA-SA-3.5-SA) and mounting hardware included
- Product certified ASME A112.19.3, CSA B45.0, and CSA B45.4

## Must-have accessories



Grid  
IE-G-2118

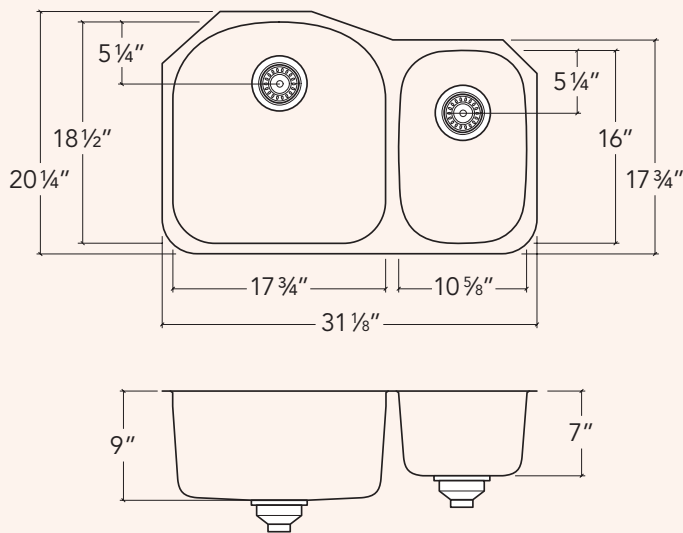
# IE350-UR-31209

ProInox E350

**Stainless steel kitchen sink**

**Embossed**

With rounded corners [3,5"]



## Installation

Undermount

## Bowl

L 17<sup>3</sup>/<sub>4</sub>" × 18<sup>1</sup>/<sub>2</sub>" × 9"

R 10<sup>5</sup>/<sub>8</sub>" × 16" × 7"

## Overall

31<sup>1</sup>/<sub>8</sub>" × 20<sup>1</sup>/<sub>4</sub>" × 9"

## Recommended cabinet

36"

## Drain

Ø 3<sup>1</sup>/<sub>2</sub>"

## Packaging

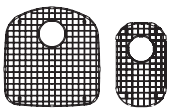
33" × 22" × 11"

27 lbs

## Features

- 304 brushed finish stainless steel (18/10)
- Coated to dampen sound and limit condensation
- Drain located towards rear providing more space under the sink
- Stainless steel strainer (AA-SA-3.5-SA) and mounting hardware included
- Product certified ASME A112.19.3, CSA B45.0, and CSA B45.4

## Must-have accessories



Grid

L IE-G-1718

R IE-G-1016

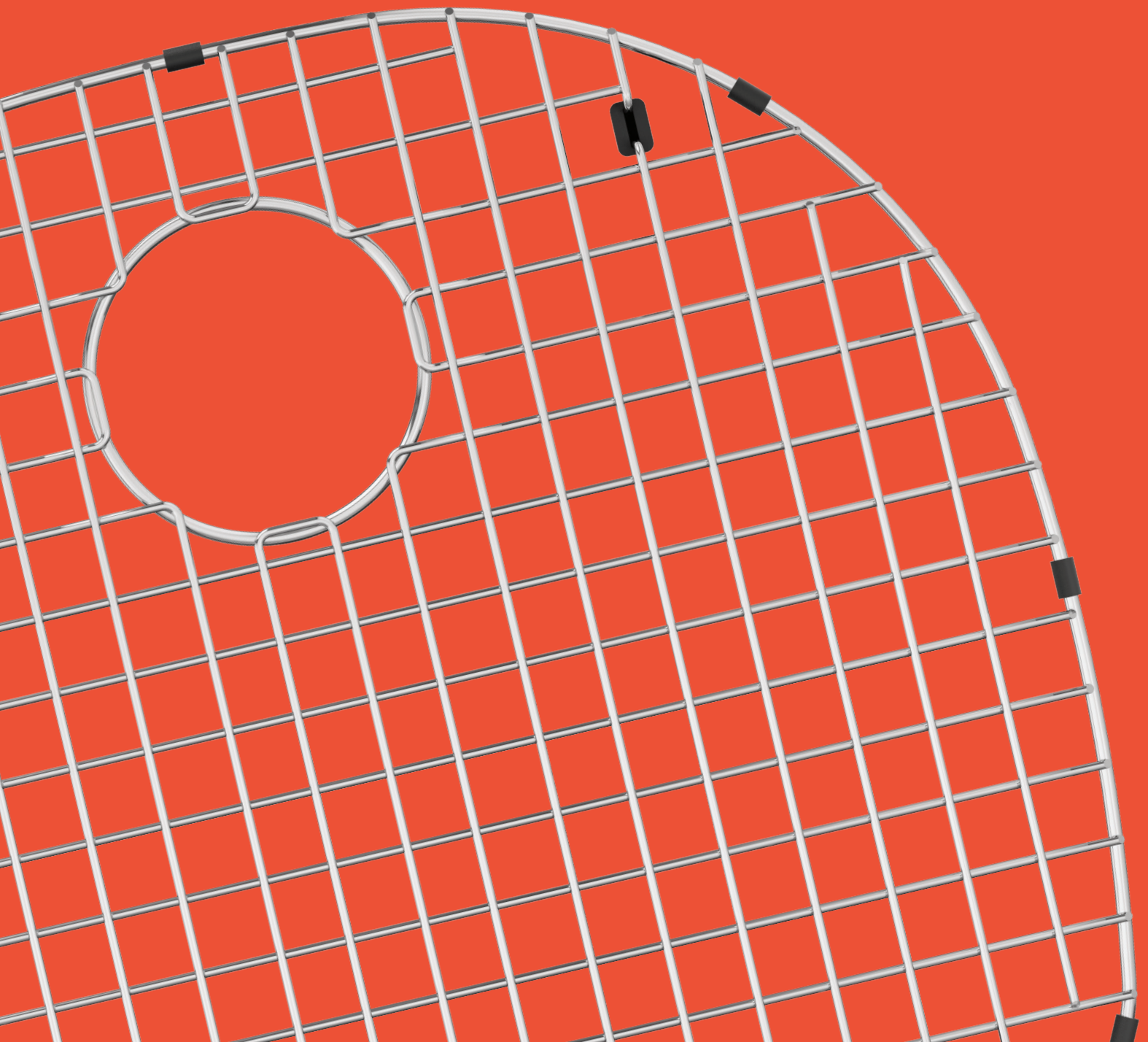
# ProInox E200 + E350

Accessories

## Grids and strainers

For stainless steel kitchen sink

---



# ProInox E200 + E350

Accessories

## Grids and strainers

For stainless steel kitchen sink

Grids	Bowl	Overall	Model	Price <sup>1</sup>
	14" x 16"	11 7/8" x 14 1/4" x 1 1/4"	IE-G-1416	\$ 140
	15" x 17"	13" x 15" x 1 1/4"	IE-G-1517	\$ 140
	21" x 16"	18 1/8" x 13 5/8" x 1 1/4"	IE-G-2116	\$ 165
	23" x 17"	21" x 15" x 1 1/4"	IE-G-2317	\$ 140
	29" x 16"	27" x 14" x 1 1/4"	IE-G-2916	\$ 185
	Ø 16"	Ø 14" x 5"	IE-G-169	\$ 175
	10" x 16"	8 1/2" x 14 1/4" x 1 1/4"	IE-G-1016	\$ 140
	17" x 18"	16 3/16" x 16 7/8" x 1 1/4"	IE-G-1718	\$ 140
	21" x 18"	19 9/16" x 17 1/8" x 1 1/4"	IE-G-2118	\$ 140
Strainers	Bowl	Overall	Model	Price <sup>1</sup>
 included	All	4 1/2" x 2 3/4"	AA-SA-3.5-SA	\$ 55

Freight: \$ 20 per shipment (maximum 3 items). No additional charges when accessories are shipped with a sink. To place an order, contact Customer Service at [customerservice@prochef.ca](mailto:customerservice@prochef.ca).

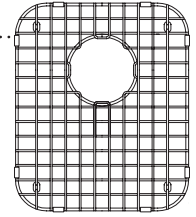
(1) Manufacturer-recommended retail price in effect on June 1<sup>st</sup>, 2017. Prices are in US dollars.

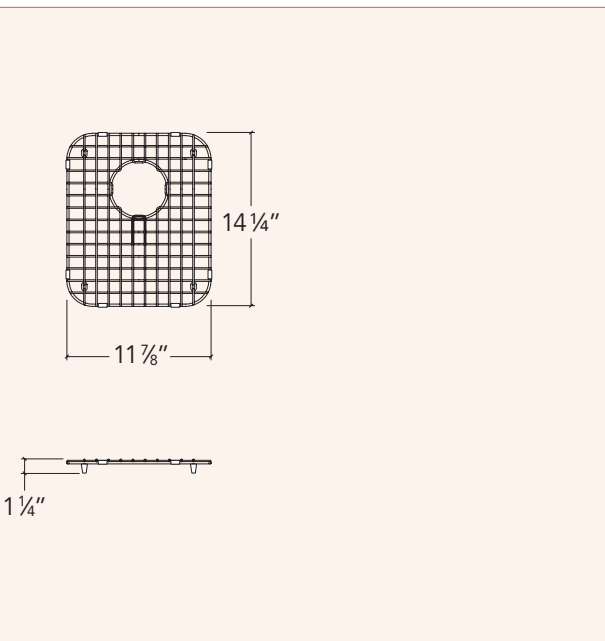
# IE-G-1416

ProInox E200

## Grid

For stainless steel kitchen sink



	<p><b>Bowl</b> 14" x 16"</p> <hr/> <p><b>Overall</b> 11 7/8" x 14 1/4" x 1 1/4"</p> <hr/> <p><b>Drain</b> Ø 3 1/2"</p> <hr/> <p><b>Packaging</b> 12" x 14 1/2" x 1 1/4" 5 lbs</p>
---	---

## Features and benefits

- 304 electro polished stainless steel
- Silicone legs and bumpers prevent the grid from sliding around and scratching the sink
- Prevents dishes and silverware from striking the bottom of the sink
- Lets water drain away from items placed in the sink
- Provides a flat, stable surface to place things on

## Warranty

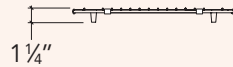
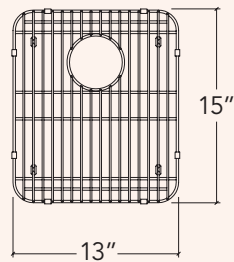
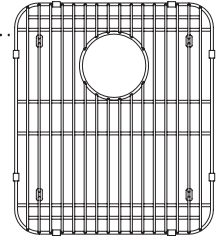
Prochef offers a 1-YEAR LIMITED WARRANTY following the purchase date for all mobile parts, options and accessories against defects of material and workmanship. This warranty is limited to defects or damages resulting from a normal residential use. For further details on our product warranty, please refer to our catalog or website.

# IE-G-1517

ProInox E200

## Grid

For stainless steel kitchen sink



### Bowl

15" x 17"

### Overall

13" x 15" x 1 1/4"

### Drain

Ø 3 1/2"

### Packaging

13" x 15" x 1 1/4"

5 lbs

## Features and benefits

- 304 electro polished stainless steel
- Silicone legs and bumpers prevent the grid from sliding around and scratching the sink
- Prevents dishes and silverware from striking the bottom of the sink
- Lets water drain away from items placed in the sink
- Provides a flat, stable surface to place things on

## Warranty

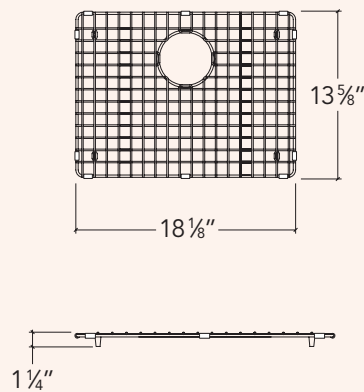
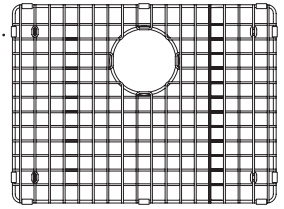
Prochef offers a 1-YEAR LIMITED WARRANTY following the purchase date for all mobile parts, options and accessories against defects of material and workmanship. This warranty is limited to defects or damages resulting from a normal residential use. For further details on our product warranty, please refer to our catalog or website.

# IE-G-2116

ProInox E200

## Grid

For stainless steel kitchen sink



### Bowl

21" x 16"

### Overall

18 1/8" x 13 5/8" x 1 1/4"

### Drain

Ø 3 1/2"

### Packaging

18 1/2" x 14" x 1 1/4"

7 lbs

## Features and benefits

- 304 electro polished stainless steel
- Silicone legs and bumpers prevent the grid from sliding around and scratching the sink
- Prevents dishes and silverware from striking the bottom of the sink
- Lets water drain away from items placed in the sink
- Provides a flat, stable surface to place things on

## Warranty

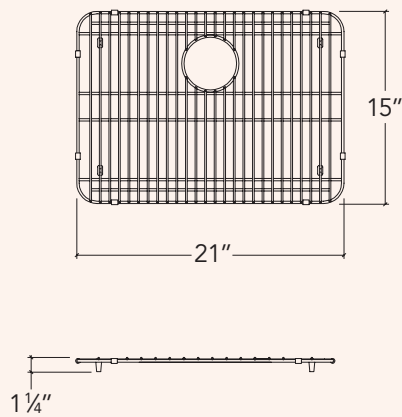
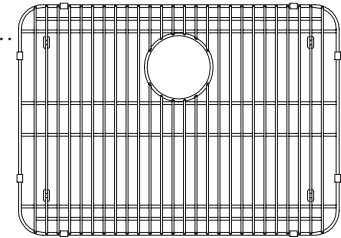
Prochef offers a 1-YEAR LIMITED WARRANTY following the purchase date for all mobile parts, options and accessories against defects of material and workmanship. This warranty is limited to defects or damages resulting from a normal residential use. For further details on our product warranty, please refer to our catalog or website.

# IE-G-2317

ProInox E200

## Grid

For stainless steel kitchen sink



### Bowl

23" x 17"

### Overall

21" x 15" x 1 1/4"

### Drain

Ø 3 1/2"

### Packaging

21" x 15" x 1 1/4"

8 lbs

## Features and benefits

- 304 electro polished stainless steel
- Silicone legs and bumpers prevent the grid from sliding around and scratching the sink
- Prevents dishes and silverware from striking the bottom of the sink
- Lets water drain away from items placed in the sink
- Provides a flat, stable surface to place things on

## Warranty

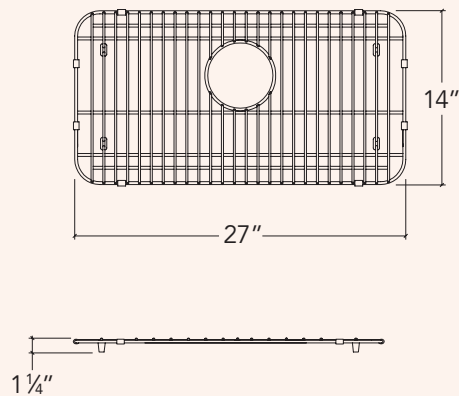
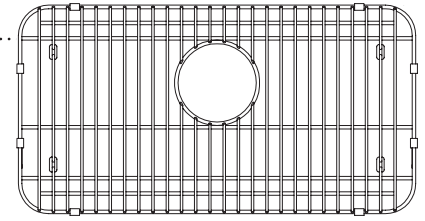
Prochef offers a 1-YEAR LIMITED WARRANTY following the purchase date for all mobile parts, options and accessories against defects of material and workmanship. This warranty is limited to defects or damages resulting from a normal residential use. For further details on our product warranty, please refer to our catalog or website.

# IE-G-2916

ProInox E200

## Grid

For stainless steel kitchen sink



### Bowl

29" x 16"

### Overall

27" x 14" x 1 1/4"

### Drain

Ø 3 1/2"

### Packaging

27" x 14" x 1 1/4"

8 lbs

## Features and benefits

- 304 electro polished stainless steel
- Silicone legs and bumpers prevent the grid from sliding around and scratching the sink
- Prevents dishes and silverware from striking the bottom of the sink
- Lets water drain away from items placed in the sink
- Provides a flat, stable surface to place things on

## Warranty

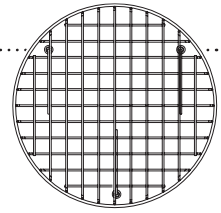
Prochef offers a 1-YEAR LIMITED WARRANTY following the purchase date for all mobile parts, options and accessories against defects of material and workmanship. This warranty is limited to defects or damages resulting from a normal residential use. For further details on our product warranty, please refer to our catalog or website.

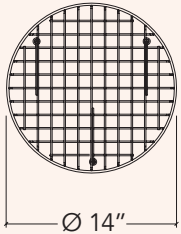
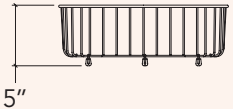
# IE-G-169

ProInox E350

## Grid

For stainless steel kitchen sink



	<b>Bowl</b> Ø 16"
	<b>Overall</b> Ø 14" × 5"
	<b>Packaging</b> 15" × 15" × 5" 8 lbs

## Features and benefits

- 304 electro polished stainless steel
- Silicone legs and bumpers prevent the grid from sliding around and scratching the sink
- Prevents dishes and silverware from striking the bottom of the sink
- Lets water drain away from items placed in the sink
- Provides a flat, stable surface to place things on

## Warranty

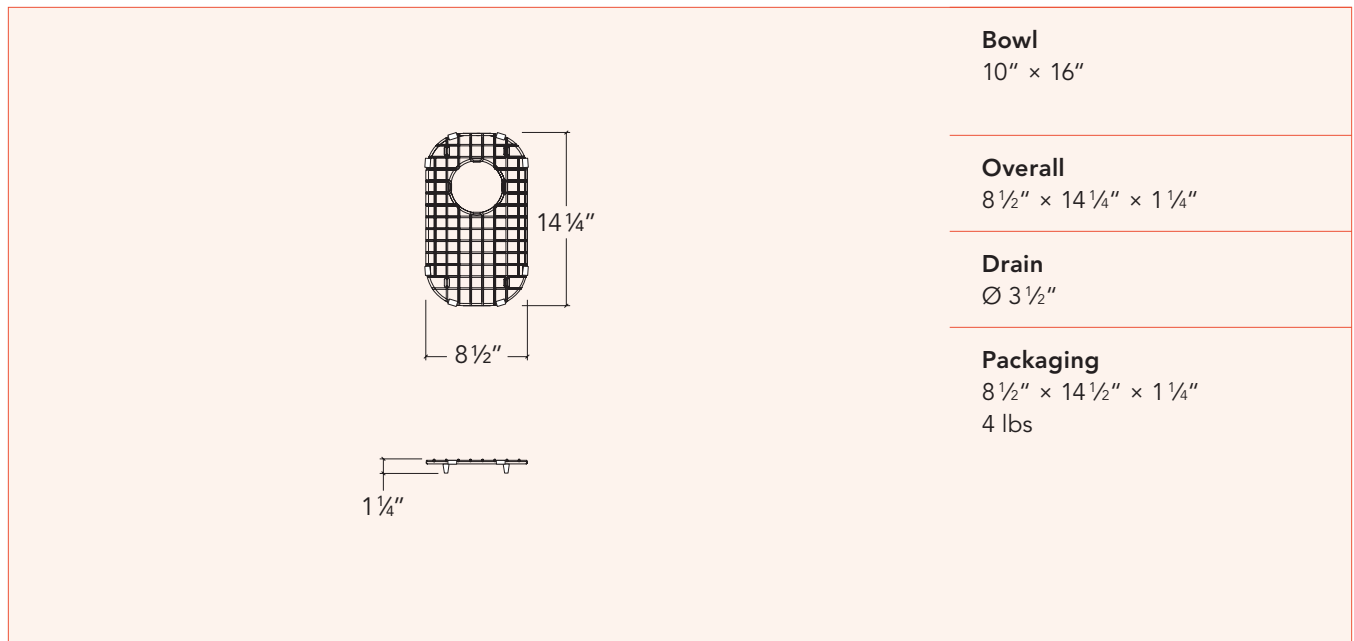
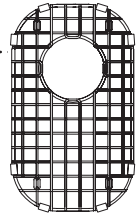
Prochef offers a 1-YEAR LIMITED WARRANTY following the purchase date for all mobile parts, options and accessories against defects of material and workmanship. This warranty is limited to defects or damages resulting from a normal residential use. For further details on our product warranty, please refer to our catalog or website.

# IE-G-1016

ProInox E350

## Grid

For stainless steel kitchen sink



## Features and benefits

- 304 electro polished stainless steel
- Silicone legs and bumpers prevent the grid from sliding around and scratching the sink
- Prevents dishes and silverware from striking the bottom of the sink
- Lets water drain away from items placed in the sink
- Provides a flat, stable surface to place things on

## Warranty

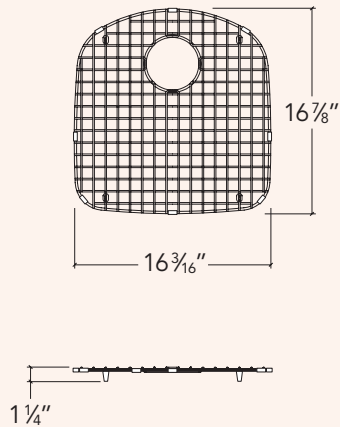
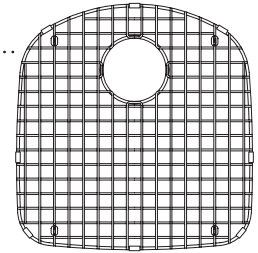
Prochef offers a 1-YEAR LIMITED WARRANTY following the purchase date for all mobile parts, options and accessories against defects of material and workmanship. This warranty is limited to defects or damages resulting from a normal residential use. For further details on our product warranty, please refer to our catalog or website.

# IE-G-1718

ProInox E350

## Grid

For stainless steel kitchen sink



### Bowl

17" x 18"

### Overall

16 <sup>3</sup>/<sub>16</sub>" x 16 <sup>7</sup>/<sub>8</sub>" x 1 <sup>1</sup>/<sub>4</sub>"

### Drain

Ø 3 <sup>1</sup>/<sub>2</sub>"

### Packaging

17" x 17" x 1 <sup>1</sup>/<sub>4</sub>"

7 lbs

## Features and benefits

- 304 electro polished stainless steel
- Silicone legs and bumpers prevent the grid from sliding around and scratching the sink
- Prevents dishes and silverware from striking the bottom of the sink
- Lets water drain away from items placed in the sink
- Provides a flat, stable surface to place things on

## Warranty

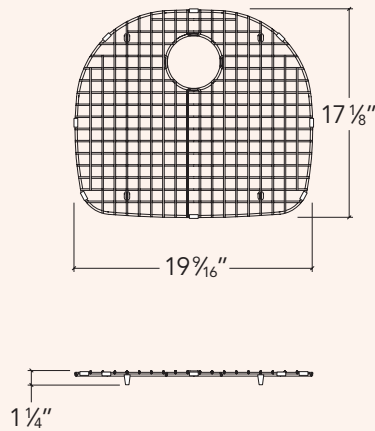
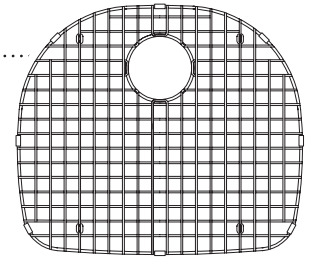
Prochef offers a 1-YEAR LIMITED WARRANTY following the purchase date for all mobile parts, options and accessories against defects of material and workmanship. This warranty is limited to defects or damages resulting from a normal residential use. For further details on our product warranty, please refer to our catalog or website.

# IE-G-2118

ProInox E350

## Grid

For stainless steel kitchen sink



### Bowl

21" x 18"

### Overall

19 5/16" x 17 1/8" x 1 1/4"

### Drain

Ø 3 1/2"

### Packaging

20" x 17 1/2" x 1 1/4"

7 lbs

## Features and benefits

- 304 electro polished stainless steel
- Silicone legs and bumpers prevent the grid from sliding around and scratching the sink
- Prevents dishes and silverware from striking the bottom of the sink
- Lets water drain away from items placed in the sink
- Provides a flat, stable surface to place things on

## Warranty

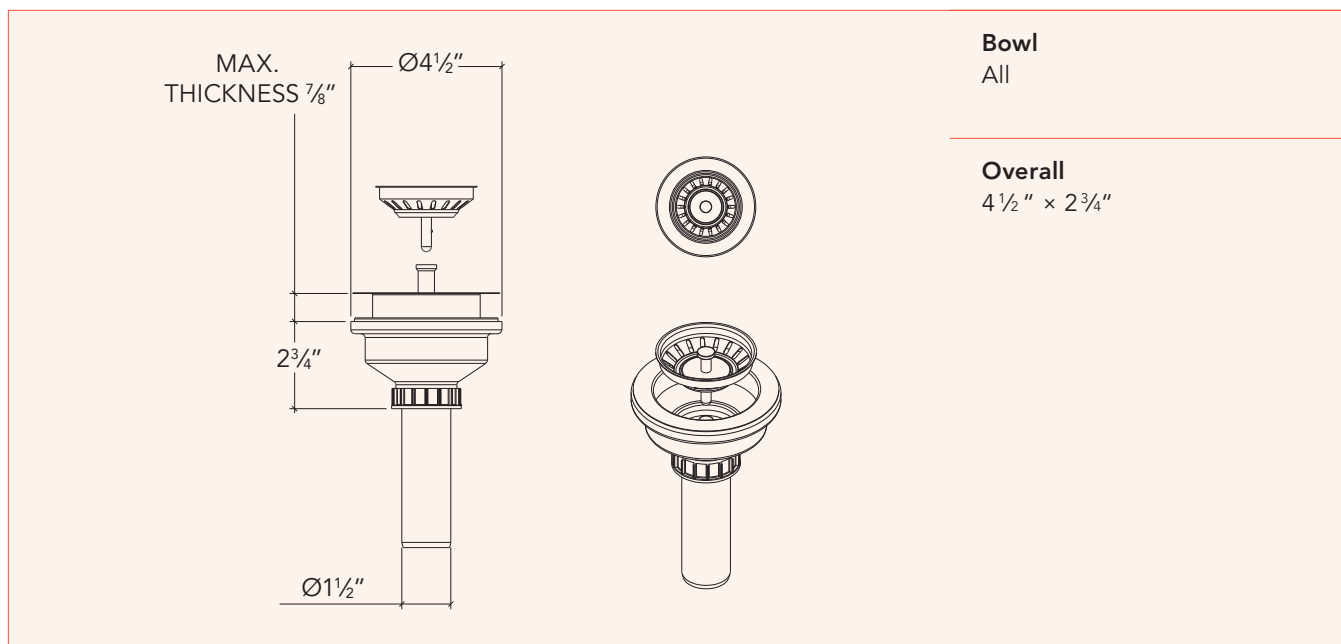
Prochef offers a 1-YEAR LIMITED WARRANTY following the purchase date for all mobile parts, options and accessories against defects of material and workmanship. This warranty is limited to defects or damages resulting from a normal residential use. For further details on our product warranty, please refer to our catalog or website.

# AA-SA-3.5-SA

ProInox E200 + E350

## Strainer

For stainless steel kitchen sink



## Features and benefits

- Stainless steel basket and strainer
- Polypropylene body
- 1 1/2" x 4" tailpiece included
- Removable basket

## Warranty

Prochef offers a 1-YEAR LIMITED WARRANTY following the purchase date for all mobile parts, options and accessories against defects of material and workmanship. This warranty is limited to defects or damages resulting from a normal residential use. For further details on our product warranty, please refer to our catalog or website.

# ProTerra M125

**Fireclay kitchen sinks**

**Molded**

With rounded corners [1,25"]

---

## New traditions to be shared

Inevitably, the most memorable family get-togethers happen in your home? A reflection of your personality, your kitchen is inviting and brings people together? Add a splash to it by choosing a country style ProTerra M125 sink. Inspired by kitchens of yesteryear, this fireclay sink, with a white glossy finish, is easy to clean and enduring. Who said tradition was outdated?





# ProTerra M125 Warranty

---

## Sinks

Prochef offers a FIVE (5) YEAR LIMITED WARRANTY on the fixed components of its ProTerra M125 sinks, ensuring them against defect of material and workmanship and against fading/staining. This warranty is limited to defects or damages resulting from a normal residential use and does not cover the following:

- Misuse, abnormal, negligent or abusive use
- Scratches, chips or dents (reported after installation – please inspect sink carefully prior to installation)
- Use of abrasives and/or chemicals (such as undiluted bleach)
- Common signs of wear and tear
- Improper installation, care and/or maintenance
- Commercial use
- Environmental factors causing damage
- Shipping or freight damage

## Accessories

Prochef offers a 1-YEAR LIMITED WARRANTY on all mobile parts, options and accessories against defects of material and workmanship. This warranty is limited to defects or damages resulting from a normal residential use and does not cover the following:

- Surface corrosion (chemical or natural)
- Scuffs or scratches
- Misuse, abnormal or abusive use
- Dents, deformations caused by the impact of any object
- Common signs of wear and tear
- Improper installation, care and/or maintenance
- Commercial use
- Environmental factors causing damage
- Shipping or freight damage

## Generalities

Prochef may at its sole discretion, repair, replace or make appropriate adjustments to the products or components proven to be defective in order to restore to good working condition.

In no event, even if product or components are found to be defective, shall Prochef's liability exceed the price paid for the product. Prochef reserves the right to inspect the installation prior to the replacement or repair of the product or its component parts. Prochef may at its discretion require pictures prior to analyzing the claim. This limited warranty is null and void if the product or components have been repaired, altered or modified other than by Prochef or under its supervision.

This limited warranty replaces any and all other warranty, expressed or implied, including implied warranties of merchantability or fitness for a particular purpose. Laws governing product warranties may vary from one state or province to another. This warranty is not intended to contravene to the public order and shall not be so interpreted. This limited warranty extends only to the original owner/end user in residential applications and is not transferable to any subsequent purchaser. In the event of a warranty claim, original proof of purchase (sales receipt) will be required. Shipping and handling costs (for returning the product or components for repairs or to replace product or components) are not covered under this limited warranty. Also excluded from this limited warranty is any labour, workmanship or other costs incurred in connection with the product or components removal, repairs, replacement, adjustment or installation and any incidental or consequential damages.

Warranty will be null and void for any damage resulting from installation not respecting the instructions and Prochef will not be held responsible for any costs incurred. In the event of a limited warranty claim, original proof of purchase will be required – save original sales receipt.

If you believe you have a warranty claim or for more information on the warranty of our products, please contact our customer service.

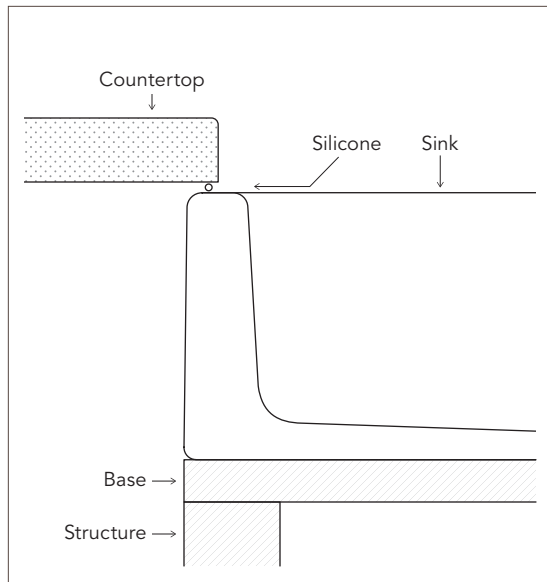
**1 855 687-8192**  
**customerservice@prochef.ca**

# ProTerra M125

## Farmhouse installation

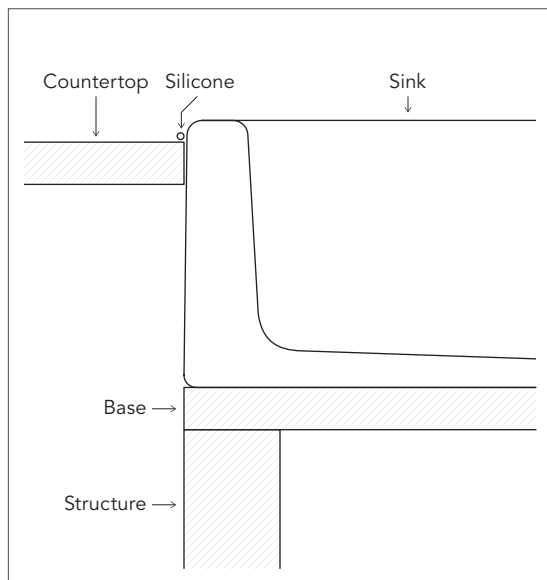
### A. Undermount

Countertop made of granite, quartz, marble or other stone surface



### B. Exposed rim

Countertop made of laminate, wood, ceramic tile, granite, quartz, marble or other stone surface.



## Maintenance

Follow one simple rule to keep your sink in good condition:  
Clean it regularly.

### Daily

Clean the sink with a sponge or a soft cloth.

Use a mild soap (dish soap) or an all-purpose, non-abrasive liquid cleanser.

Always rinse with warm water and wipe with a dry cloth.

Use a bottom grid to protect the finish of the ceramic.

### Precautions

Do not scrub the sink with steel wool or scouring pads.

Do not use abrasive cleansers.

For tough stains, use a cream bathroom cleanser, rinse with water and wipe with a dry cloth.

Do not place a rubber mat on the bottom of your sink. Food, water, and cleaning products can cling to it and create stains.

## IMPORTANT

Due to manufacturing process of fine fireclay sinks, dimensions can vary  $\pm \frac{3}{16}$ " (5 mm). We recommend that your kitchen fitter cuts countertop only after having measured sink. Make sure structure can support weight of sink full of water.

# ProTerra M125

Farmhouse

Fireclay kitchen sinks

Molded

With rounded corners [1,25"]

---






# ProTerra M125

Farmhouse

Fireclay kitchen sinks

Molded

With rounded corners [1,25"]

Cabinet <sup>1</sup>	Bowl <sup>3</sup>	Overall <sup>3</sup>	Model	Price <sup>2</sup>	Grid	Price <sup>2</sup>
27" 	20 <sup>5</sup> / <sub>8</sub> " × 14 <sup>3</sup> / <sub>4</sub> " × 9"	24" × 18 <sup>1</sup> / <sub>8</sub> " × 9 <sup>7</sup> / <sub>8</sub> "	TM125-FS-241810	\$ 830	TM-G-2014	\$ 160
33" 	26 <sup>5</sup> / <sub>8</sub> " × 14 <sup>3</sup> / <sub>4</sub> " × 9"	30" × 18 <sup>1</sup> / <sub>8</sub> " × 9 <sup>7</sup> / <sub>8</sub> "	TM125-FS-301810	\$ 945	TM-G-2614	\$ 170
39" 	32 <sup>5</sup> / <sub>8</sub> " × 14 <sup>3</sup> / <sub>4</sub> " × 9"	36" × 18 <sup>1</sup> / <sub>8</sub> " × 9 <sup>7</sup> / <sub>8</sub> "	TM125-FS-361810	\$ 1 145	TM-G-3214	\$ 180

Included: Strainer.

Freight: \$ 60 per sink. FFA for orders of \$ 2 500 net or more providing order ships complete.

To place an order, contact Customer Service at [customerservice@prochef.ca](mailto:customerservice@prochef.ca).

(1) Recommended cabinet width; please check with cabinet manufacturer.

(2) Manufacturer-recommended retail price in effect on June 1<sup>st</sup>, 2017. Prices are in US dollars.

(3) Dimensions can vary. Please refer to specsheet.

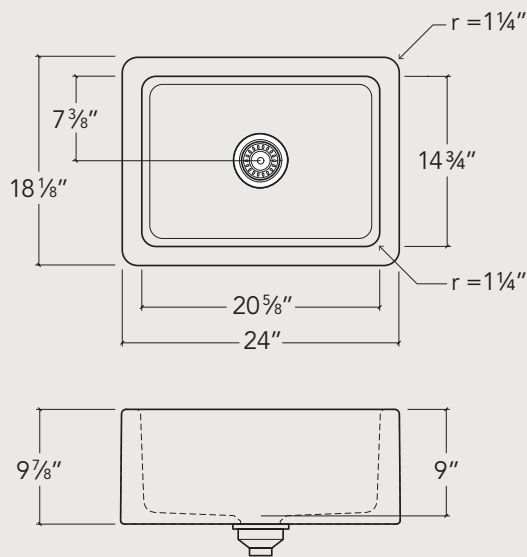
# TM125-FS-241810

ProTerra M125

## Fireclay kitchen sink

### Molded

With rounded corners [1,25"]



\* Dimensions can vary  $\pm 3/16$ " (5 mm).

#### Installation

Farmhouse

#### Bowl\*

20 5/8" X 14 3/4" X 9"

#### Overall\*

24" x 18 1/8" x 9 7/8"

#### Recommended cabinet

27"

#### Drain

Ø 3 1/2"

#### Packaging

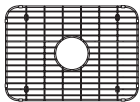
29" x 25 3/8" x 15 1/2"

66 lbs

## Features

- Fine fireclay, enameled glossy white finish
- Resistant to scratches and chips thanks to the fusion of glaze and fireclay
- Non-porous finish, hygienic and easy to clean
- Flat apron finished on all four sides
- Centered drain position
- Product dimensional variability  $\pm 3/16$ ", due to manufacturing process
- Waste disposal unit compatible
- Stainless steel strainer included (TM-SA-3.5-SA)
- Product certified ASME A112.19.2-2013 and CSA B45.1-13

## Must-have accessories



Grid

TM-G-2014

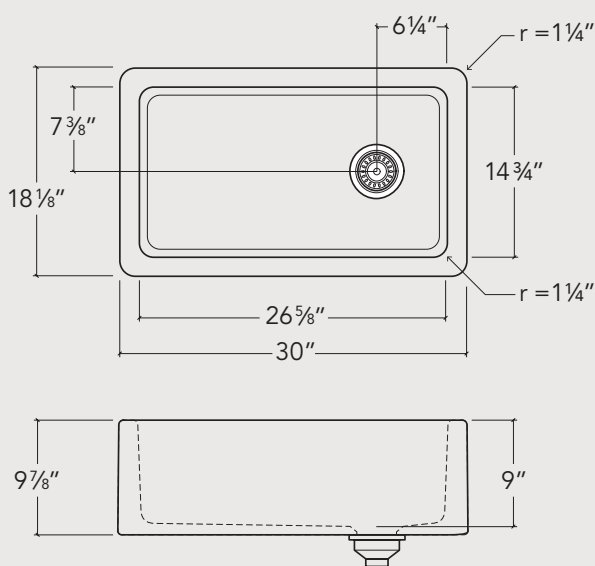
# TM125-FS-301810

ProTerra M125

## Fireclay kitchen sink

### Molded

With rounded corners [1,25"]



\* Dimensions can vary  $\pm 3/16$ " (5 mm).

#### Installation

Farmhouse

#### Bowl\*

26 5/8" X 14 3/4" X 9"

#### Overall\*

30" x 18 1/8" x 9 7/8"

#### Recommended cabinet

33"

#### Drain

$\varnothing$  3 1/2"

#### Packaging

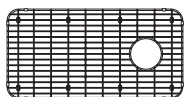
35" x 25 3/8" x 15 1/2"

75 lbs

## Features

- Fine fireclay, enameled glossy white finish
- Resistant to scratches and chips thanks to the fusion of glaze and fireclay
- Non-porous finish, hygienic and easy to clean
- Flat apron finished on all four sides
- Offset drain position
- Product dimensional variability  $\pm 3/16$ ", due to manufacturing process
- Waste disposal unit compatible
- Stainless steel strainer included (TM-SA-3.5-SA)
- Product certified ASME A112.19.2-2013 and CSA B45.1-13

## Must-have accessories



Grid

TM-G-2614

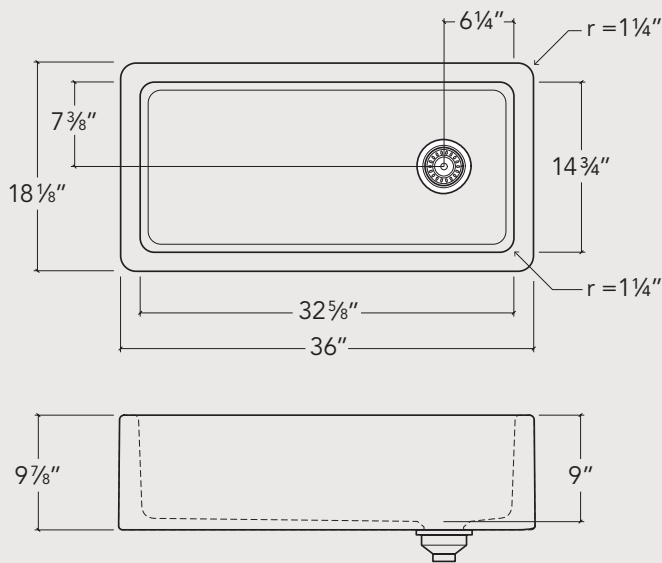
# TM125-FS-361810

ProTerra M125

## Fireclay kitchen sink

### Molded

With rounded corners [1,25"]



\* Dimensions can vary  $\pm 3/16$ " (5 mm).

#### Installation

Farmhouse

#### Bowl\*

32 5/8" X 14 3/4" X 9"

#### Overall\*

36" x 18 1/8" x 9 7/8"

#### Recommended cabinet

39"

#### Drain

Ø 3 1/2"

#### Packaging

41" x 25 3/8" x 15 1/2"

86 lbs

## Features

- Fine fireclay, enameled glossy white finish
- Resistant to scratches and chips thanks to the fusion of glaze and fireclay
- Non-porous finish, hygienic and easy to clean
- Flat apron finished on all four sides
- Offset drain position
- Product dimensional variability  $\pm 3/16$ ", due to manufacturing process
- Waste disposal unit compatible
- Stainless steel strainer included (TM-SA-3.5-SA)
- Product certified ASME A112.19.2-2013 and CSA B45.1-13

## Must-have accessories



Grid

TM-G-3214



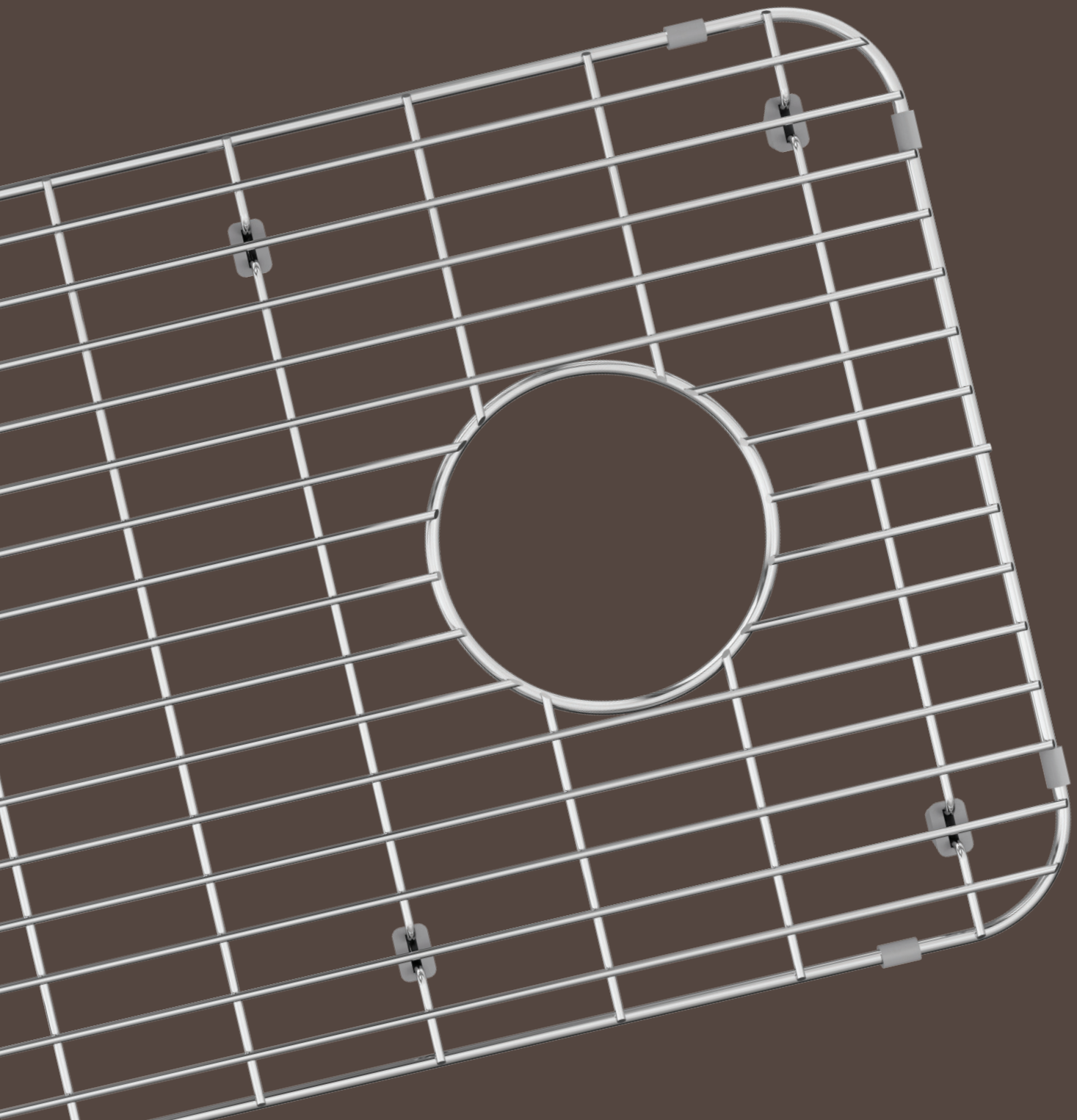
# ProTerra M125

Accessories

## Grids and strainers

For fireclay kitchen sink

---

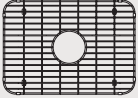


# ProTerra M125


Accessories

## Grids and strainers

For fireclay kitchen sink

Grids	Bowl	Overall	Model	Price <sup>1</sup>
	20 5/8" x 14 3/4"	17 5/8" x 12 5/8" x 1 1/4"	TM-G-2014	\$ 160
	26 5/8" x 14 3/4"	24 5/8" x 12 5/8" x 1 1/4"	TM-G-2614	\$ 170
	32 5/8" x 14 3/4"	30 3/8" x 12 5/8" x 1 1/4"	TM-G-3214	\$ 180

Strainers	Bowl	Overall	Model	Price <sup>1</sup>
 included	All	4 1/2" x 2 3/4"	TM-SA-3.5-SA	\$ 55

Freight: \$ 20 per shipment (maximum 3 items). No additional charges when accessories are shipped with a sink. To place an order, contact Customer Service at [customerservice@prochef.ca](mailto:customerservice@prochef.ca).

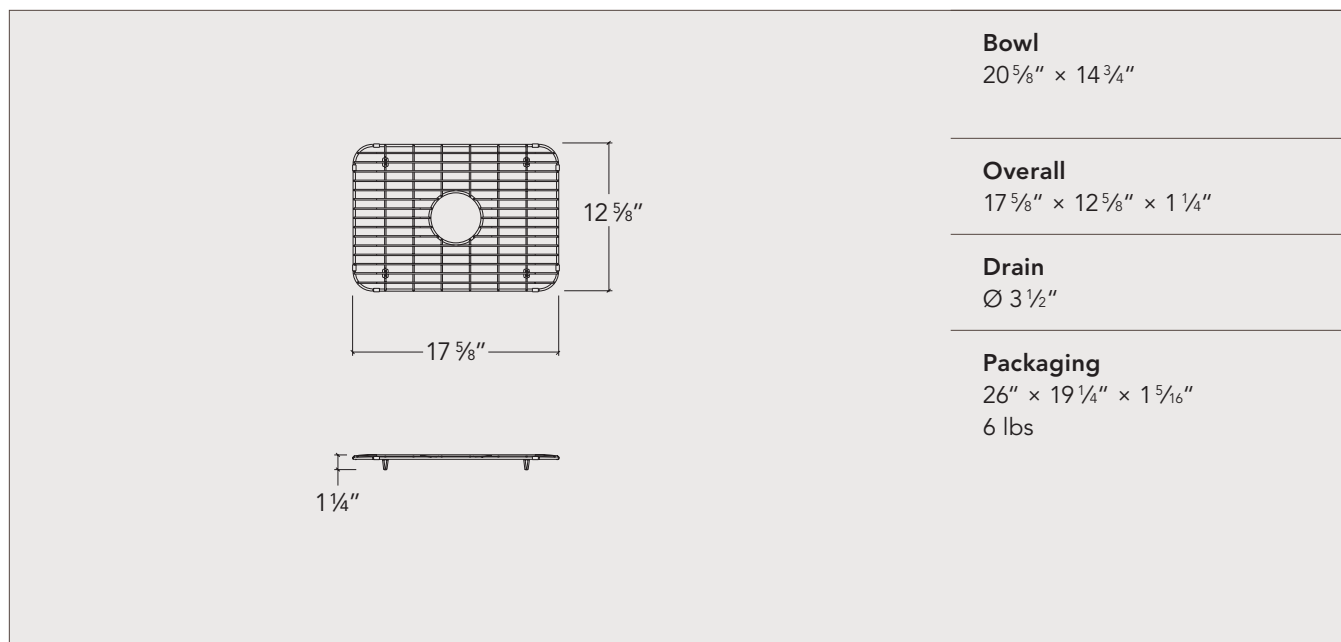
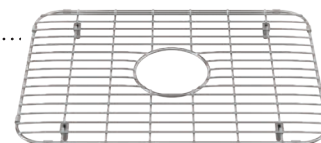
(1) Manufacturer-recommended retail price in effect on June 1<sup>st</sup>, 2017. Prices are in US dollars.

# TM-G-2014

ProTerra M125

## Grid

For fireclay kitchen sink



## Features and benefits

- 304 electro polished finish stainless steel
- Silicone legs and bumpers prevent the grid from sliding around and scratching the sink
- Prevents dishes and silverware from striking the bottom of the sink
- Lets water drain away from items placed in the sink
- Provides a flat, stable surface to place things on

## Warranty

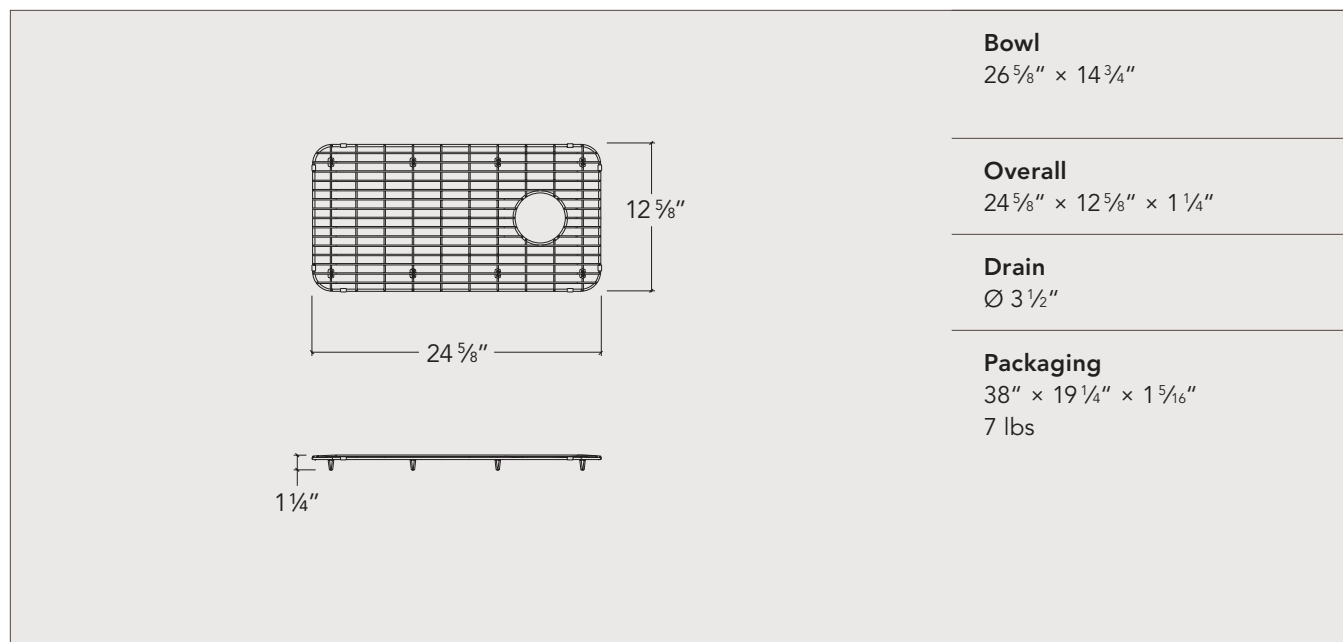
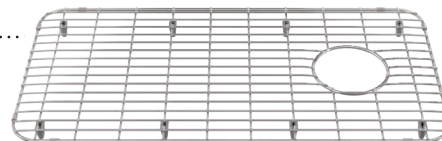
Prochef offers a 1-YEAR LIMITED WARRANTY following the purchase date for all mobile parts, options and accessories against defects of material and workmanship. This warranty is limited to defects or damages resulting from a normal residential use. For further details on our product warranty, please refer to our catalog or website.

# TM-G-2614

ProTerra M125

## Grid

For fireclay kitchen sink



## Features and benefits

- 304 electro polished finish stainless steel
- Silicone legs and bumpers prevent the grid from sliding around and scratching the sink
- Prevents dishes and silverware from striking the bottom of the sink
- Lets water drain away from items placed in the sink
- Provides a flat, stable surface to place things on

## Warranty

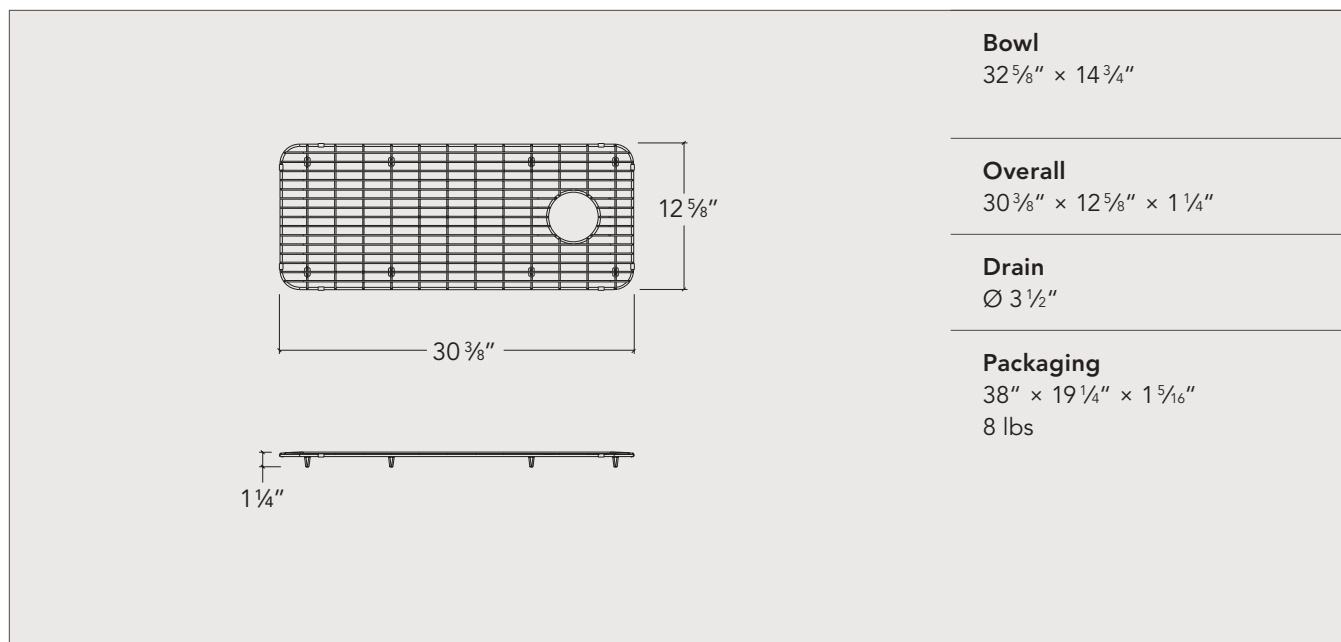
Prochef offers a 1-YEAR LIMITED WARRANTY following the purchase date for all mobile parts, options and accessories against defects of material and workmanship. This warranty is limited to defects or damages resulting from a normal residential use. For further details on our product warranty, please refer to our catalog or website.

# TM-G-3214

ProTerra M125

## Grid

For fireclay kitchen sink



## Features and benefits

- 304 electro polished finish stainless steel
- Silicone legs and bumpers prevent the grid from sliding around and scratching the sink
- Prevents dishes and silverware from striking the bottom of the sink
- Lets water drain away from items placed in the sink
- Provides a flat, stable surface to place things on

## Warranty

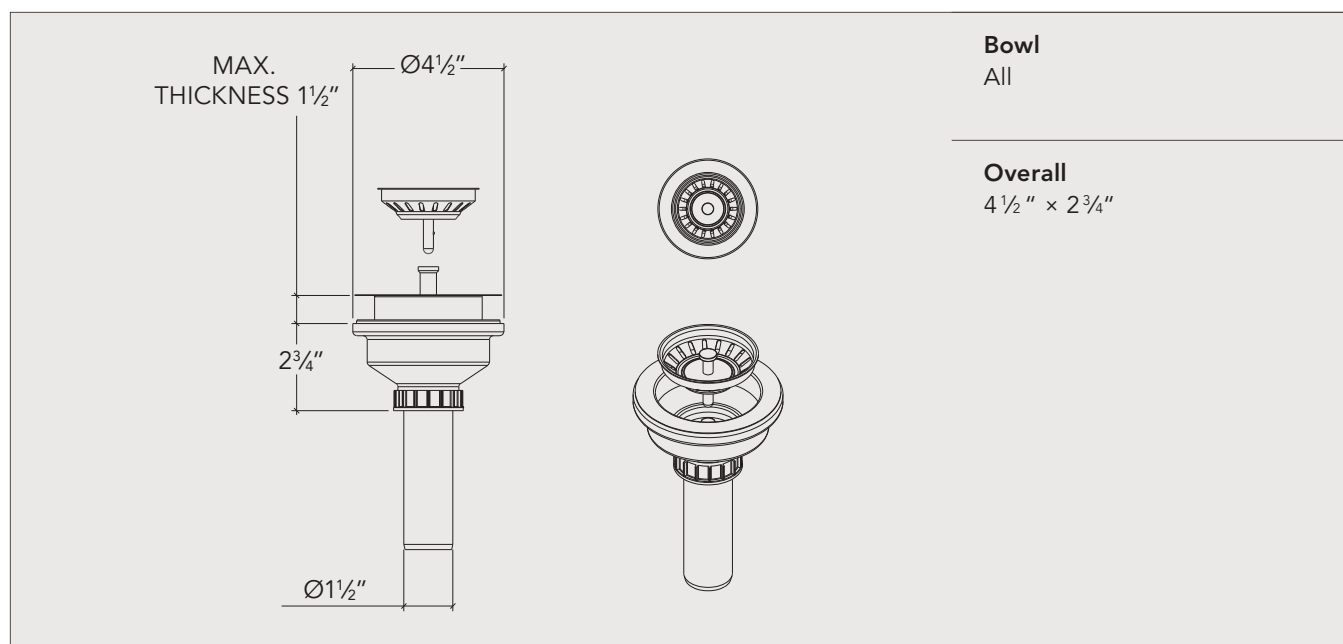
Prochef offers a 1-YEAR LIMITED WARRANTY following the purchase date for all mobile parts, options and accessories against defects of material and workmanship. This warranty is limited to defects or damages resulting from a normal residential use. For further details on our product warranty, please refer to our catalog or website.

# TM-SA-3.5-SA

ProTerra M125

## Strainer

For fireclay kitchen sink



## Features and benefits

- Stainless steel basket and strainer
- Polypropylene body
- 1 1/2" x 4" tailpiece included
- Removable basket
- Fits with Prochef sinks up to 1 1/2" thick

## Warranty

Prochef offers a 1-YEAR LIMITED WARRANTY following the purchase date for all mobile parts, options and accessories against defects of material and workmanship. This warranty is limited to defects or damages resulting from a normal residential use. For further details on our product warranty, please refer to our catalog or website.