

PerfectCool Bottom Mount Refrigerator

KFNS 37692 iDE-1



PerfectCool Bottom Mount Refrigerator KFNS 37692 iDE-1



KFNS 37692 iDE-1

Features:

- NEW: Miele PerfectCool Series
- FlexiLight - Shelf mounted LED lighting
- Right hinged, convertible
- Soft Close Door
- DynaCool
- Dishwasher Safe door shelves
- Easy Sensor Controls
- Plumbed Ice Maker
- PerfectFresh Pro
- Bottle Fins
- Sabbath Mode
- Energy Star

SPECIFICATIONS

KFNS 37692 iDE-1 — Item 38376922USA

Overall Unit Width 22" (559 mm)

Overall Unit Height 69¹¹/₁₆" (1770 mm)

Overall Unit Depth 21¹/₂" (545 mm)

Niche

Minimum Cabinet Opening Width 22¹/₁₆" (560 mm)

Minimum Cabinet Opening Height 69³/₄" (1772 mm)

Minimum Cabinet Opening Depth 21⁵/₈" (550 mm)

Plumbing

Water Supply Requirements

Connect to a cold water supply only. Must be connected to a shut-off valve. The water shut-off valve must be accessible after installation. The water pressure must be between 22 psi (1.5 bar) and may not exceed 87 psi (6 bar). If the pressure is higher than 87 psi (6 bar), a pressure reducing valve must be installed.

Water Connection Line

Unit comes with a male 3/4" BPT connection on back of unit. The connection parts included with the appliance permit the connection of various water lines (including 1/4" compression fitting). Water line is not included.

Electrical

Electrical Requirements - Volts/Amps 110V / 120V, 60Hz, 15A (single)
110V / 120V, 60Hz, 20A (2 Individual units installed side-by-side, using a Duplex outlet)

Power Cord - Plug and length Yes - NEMA 5-15 plug, 6' 6" (2 m)

Custom Panel

Refer to manual for further detail

Maximum Panel Weight Top Panel - 44 lbs (20 kg)
Bottom Panel - 26 lbs (12 kg)

Maximum Panel Thickness 3/4" (19 mm)

Minimum Panel Thickness 5/8" (16 mm)

Shipping

Shipping Weight 192.7 lbs (87.4 kg)

Shipping Dimensions 24¹/₂" W x 73¹/₂" H x 22⁵/₈" D

Support

Call Miele 800.843.7231

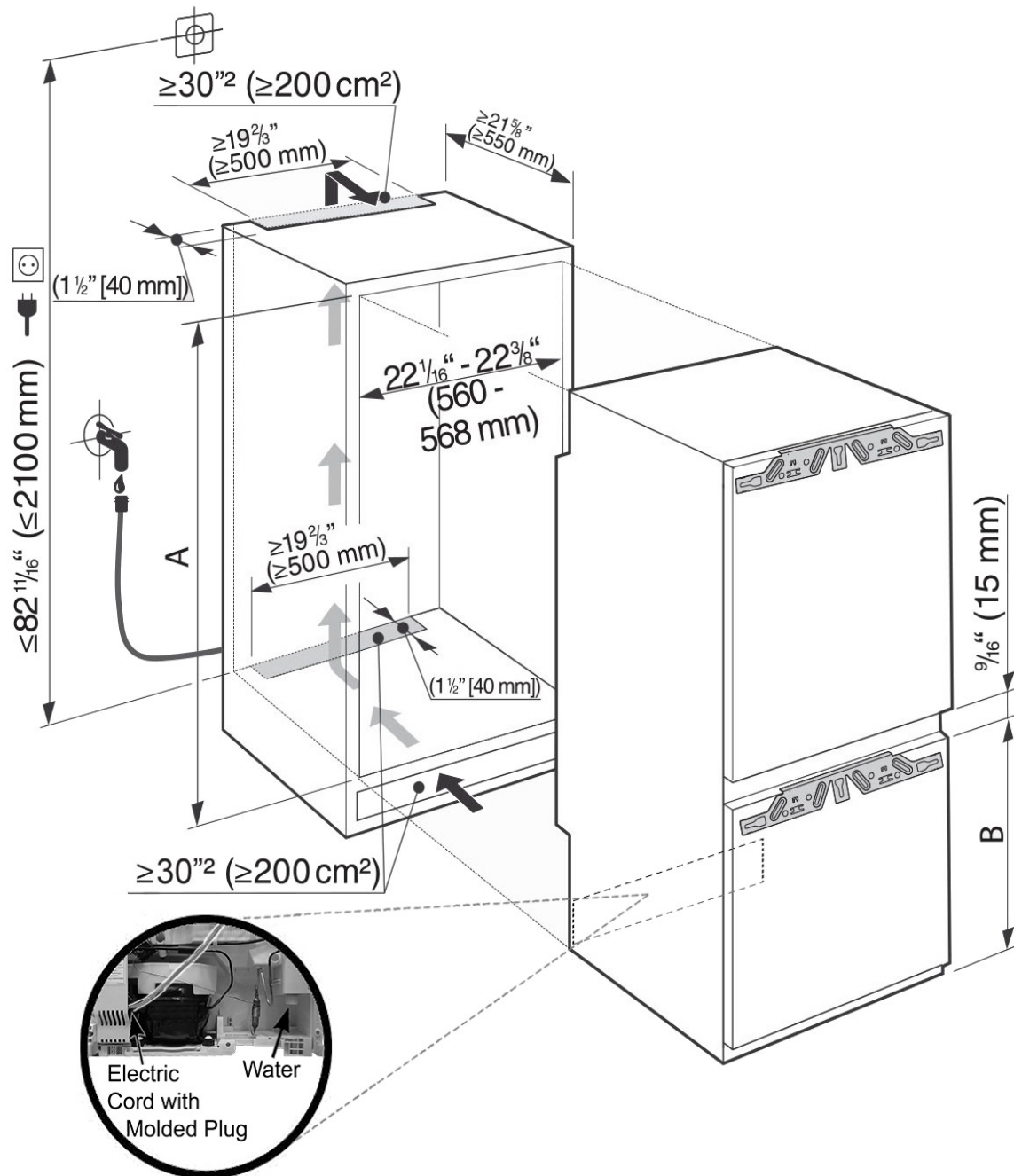
Miele Website www.mieleusa.com

20/20 Link 2020technologies.com

PerfectCool Bottom Mount Refrigerator KFNS 37692 iDE-1



Installation Dimension



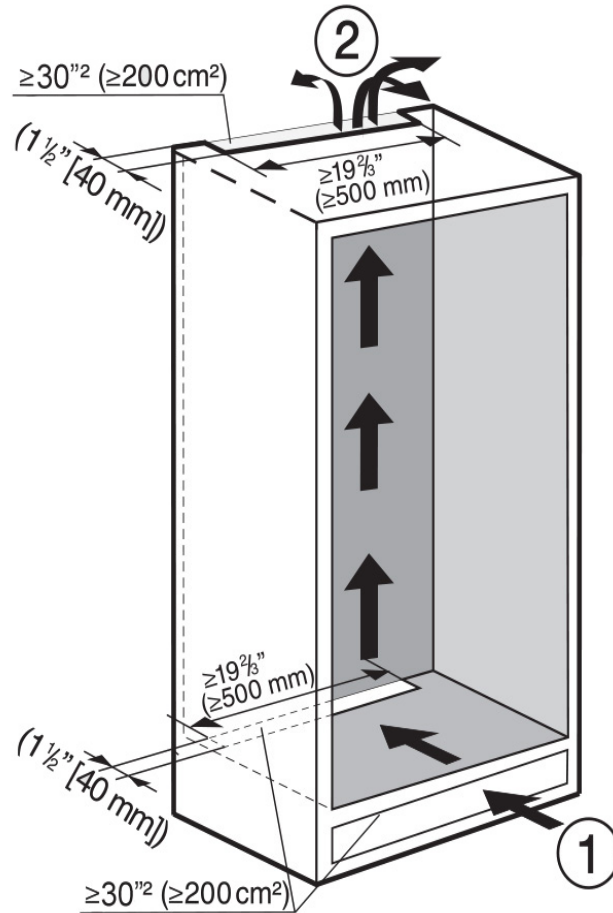
	Niche height [mm] A	Freezer section [mm] B
KFNS 37692 iDE	69 3/4" - 70 3/8" (1772 - 1788 mm)	27 3/8" (695 mm)

Before installation, ensure the building-in niche is the correct size. The specified ventilation cross-sections must be adhered to in order to ensure the correct functioning of the appliance.

For additional information on Plumbing, please refer to the Plumbing section in the Install Manual.

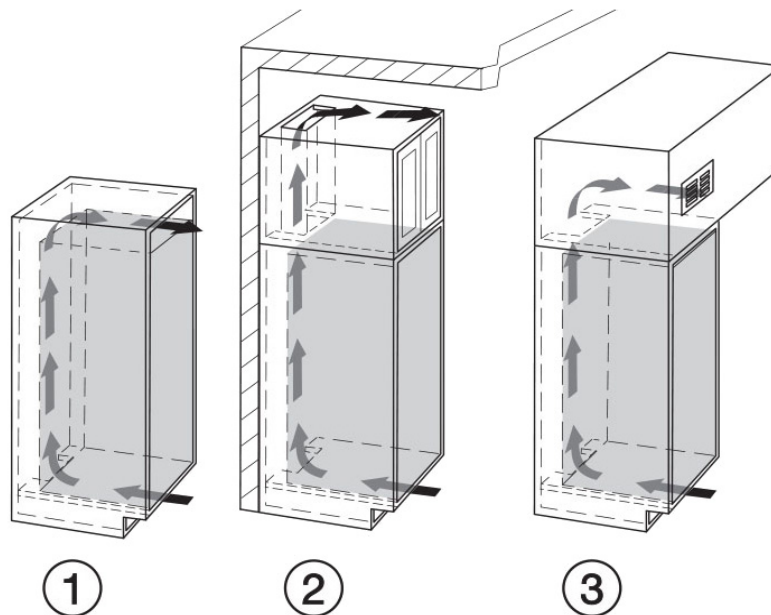
For Side-by-Side installations two niche cutouts are required.

Ventilation Dimension



- Air intake (1) occurs via the plinth at the bottom of the appliance and the air escapes at the top (2) at the rear of the housing unit.
- A ventilation gap of at least $1\frac{5}{8}$ " (40 mm) depth must be provided behind the appliance for air to circulate.
- The ventilation cross-sections in the plinth housing unit and above the appliance must amount to at least $78\frac{3}{4}$ "² to ensure that air can circulate without obstruction.
- Please refer to the manual for further ventilation details.

Top Ventilation Cross-section



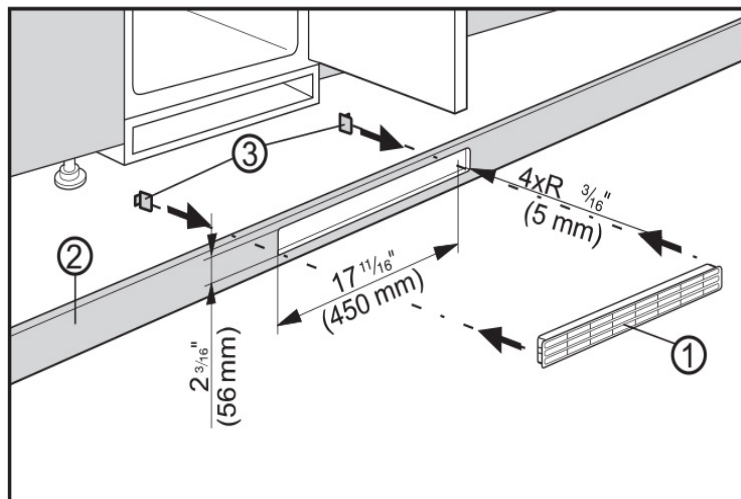
(1) Directly above the appliance with a ventilation grill (free airflow of at least $78 \frac{3}{4}''^2$).

(2) In between the housing unit and ceiling.

(3) Through a suspended ceiling.

- Please refer to manual for further ventilation details.

Bottom Ventilation Slits Dimensions



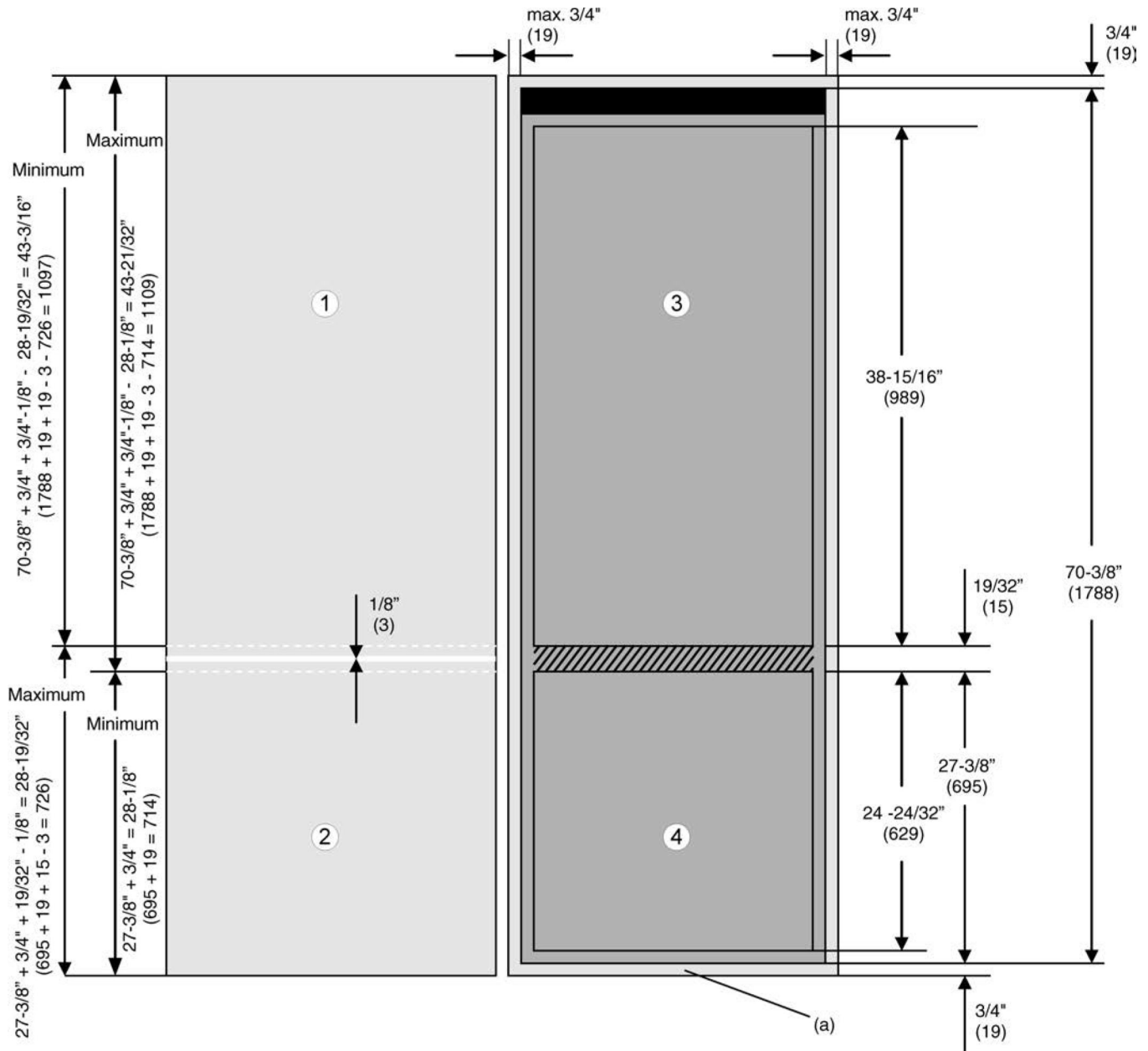
If you would like to use the ventilation slits:

- Cut an opening in the plinth (2) as shown in the figure.
- Place the ventilation grille (1) into the opening.
- Push the snap connector (3) into the ventilation slits from the rear until the hooks are touching the plinth
- Reinstall the plinth with the ventilation slits

PerfectCool Bottom Mount Refrigerator KFNS 37692 iDE-1



Custom Panel



Custom Panel Continued

SPECIFICATIONS	
Custom Panel	Refer to manual for further detail
Maximum Panel Weight	Top Panel - 44 lbs (20 kg) Bottom Panel - 26 lbs (12 kg)
Maximum Panel Thickness	$\frac{3}{4}$ " (19 mm)
Minimum Panel Thickness	$\frac{5}{8}$ " (16 mm)
Inset Panel	
Minimum Vertical Gap - Between Cabinet and Door Panel	$\frac{1}{8}$ " (3 mm)
Minimum Horizontal Gap - Between Top Cabinet Panel and Door, Between Door Panels	$\frac{1}{8}$ " (3 mm)

**Framed Cabinet with Inset Door
Panel Calculation**

$$\text{Panel Width} = \text{Niche Opening Width} - \frac{1}{4}" (6 \text{ mm})$$

$$\text{Panel Height} = \text{Niche Opening Height} - \frac{1}{4}" (6 \text{ mm})$$

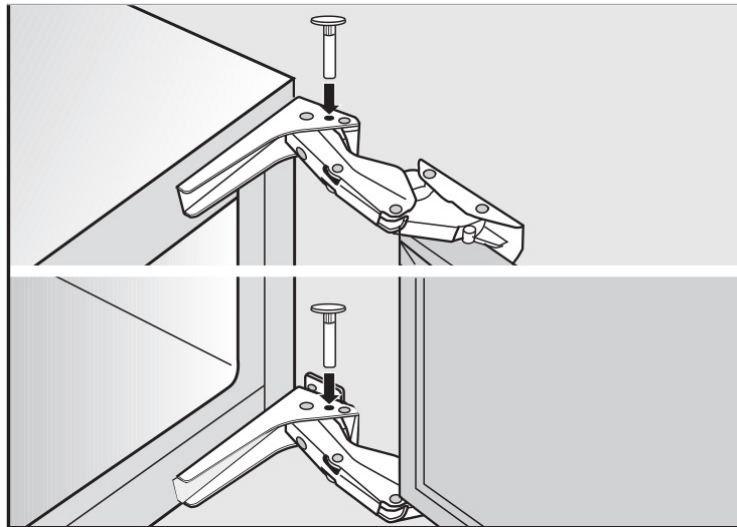
**Frameless Style Cabinet Panel
Calculation**

$$\text{Panel Width} = \text{Niche Opening Width} + \text{Left Side Panel Thickness} + \text{Right Side Panel Thickness}$$

$$\text{Panel Height} = \text{Niche Opening Height} + \text{Top Panel Thickness} + \text{Bottom Panel Thickness}$$

Adjustable Door Hinge

90° or 120° Opening



The door hinges are factory set so that the door can be opened wide.

However if the opening angle of the door needs to be limited for any reason, the hinge can be adjusted to accommodate this.

Insert the limit pins provided into the hinges from above. This will limit the opening angle of the appliance door to 90°.