

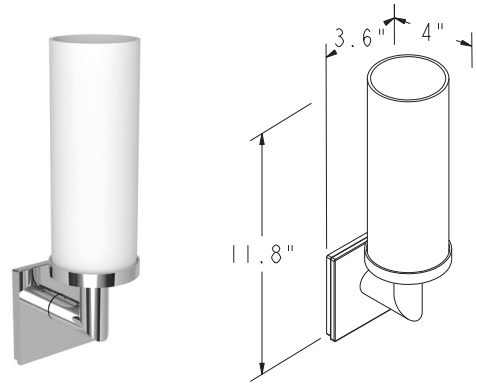


lights

item	description	PC	PN	SN
------	-------------	----	----	----

IMPORTANT: The backplate on the Dyad light 5381 is not of standard size. Provide the following information to your electrician and wall finisher for proper installation.

The Dyad Light 5381 is designed to mount onto a raised cover plate (also called a round plaster ring or a round raised mud ring) attached to an electrical box in the pre-drywall stage. Use two no. 8 tapped holes on 2 3/4" centers. Maximum area of finished wall opening that will be covered by the Dyad light backplate is 3 5/8" x 3 5/8".



5381	Single Light	346	416	
------	--------------	-----	-----	--

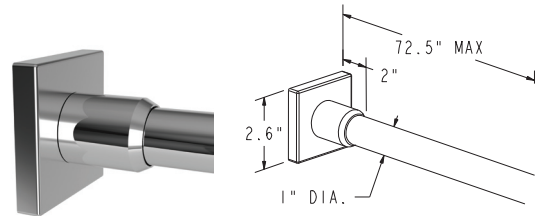
3681-G-O	Replacement Glass Shade, Satin Etched, Cased Opal. Note finish when ordering (i.e. 3681-G-O/PC)	97	116	
----------	---	----	-----	--

** ADA compliant.

straight shower rod

item	description	PC	PN	SN
------	-------------	----	----	----

IMPORTANT: Order (1) Bracket Pair plus (1) Rod to make a complete unit. 6' Straight Rods should be trimmed for use in smaller openings.



1139R-6	6' Shower Curtain Rod	138	166	
---------	-----------------------	-----	-----	--

5239B	Shower Rod Brackets Only, Pair	65	78	
-------	--------------------------------	----	----	--

GINGER

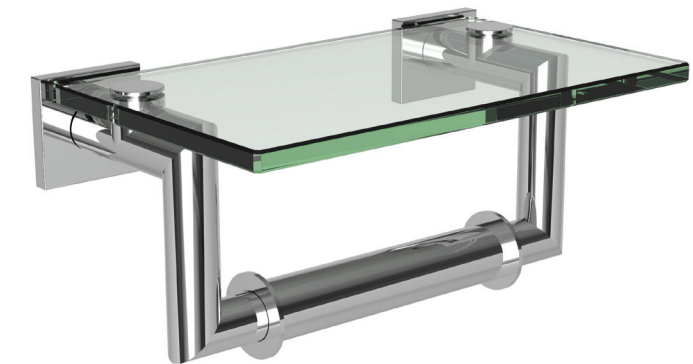
NEW PRODUCT ANNOUNCEMENT

THE DYAD COLLECTION

Dyad combines round posts and square rosettes and finials, contrasting yet complementing forms, which combine to create a modern alternative to the typical uniformity of minimalist design.



- Solid Brass Construction
- Limited Lifetime Warranty
- Concealed Set Screws
- Tempered Glass Shelves
- Collection Finishes:
 - Polished Chrome (PC)
 - Satin Nickel (SN)
 - Polished Nickel (PN)



www.gingerco.com

towel bars	item	description	PC	PN SN
	5302	18" Towel Bar	150	180
	5303	24" Towel Bar	177	212

towel rings	item	description	PC	PN SN
	5305	Towel Ring	209	251

toilet tissue holders	item	description	PC	PN SN
	5308	Double Post Toilet Tissue Holder Pivoting Arm	168	211
	5306	Open Toilet Tissue Holder	144	171
	5309	Double Open Toilet Tissue Holder	152	190
	5327	Double Post Toilet Tissue Holder With Cover	221	278

hooks	item	description	PC	PN SN
	5310	Single Robe Hook	52	62
	5310D	Double Robe Hook	106	122

DYAD

toiletry shelf	item	description	PC	PN SN
	5334T-24	24" Shelf	223	274

grab bars	item	description	PC	PN SN
	5261	16" Grab Bar**	324	388
	5262	18" Grab Bar**	332	399
	5263	24" Grab Bar**	355	425
	5265	36" Grab Bar**	449	539
	5266	42" Grab Bar**	513	615

**This product meets or exceeds ASTM F446 standards and conforms to ADA guidelines. Please refer to Grab Bar Notes see GINGER Pricebook for important information on grab bars.

hotel shelves	item	description	PC	PN SN
IMPORTANT: Order (1) Mounting Kit plus (1) Frame to make a complete unit.				
	524B	Hotel Shelf Mounting Kit	95	115
	XX40-20	20" Hotel Shelf Frame	191	229
	XX40-24	24" Hotel Shelf Frame	213	255
	XX43-20	20" Hotel Shelf Frame with Towel Bar	227	273
	XX43-24	24" Hotel Shelf Frame with Towel Bar	241	288
	XX43S-20	20" Hotel Shelf Frame with Towel Bar Squared Corners	286	343
	XX43S-24	24" Hotel Shelf Frame with Towel Bar Squared Corners	309	369