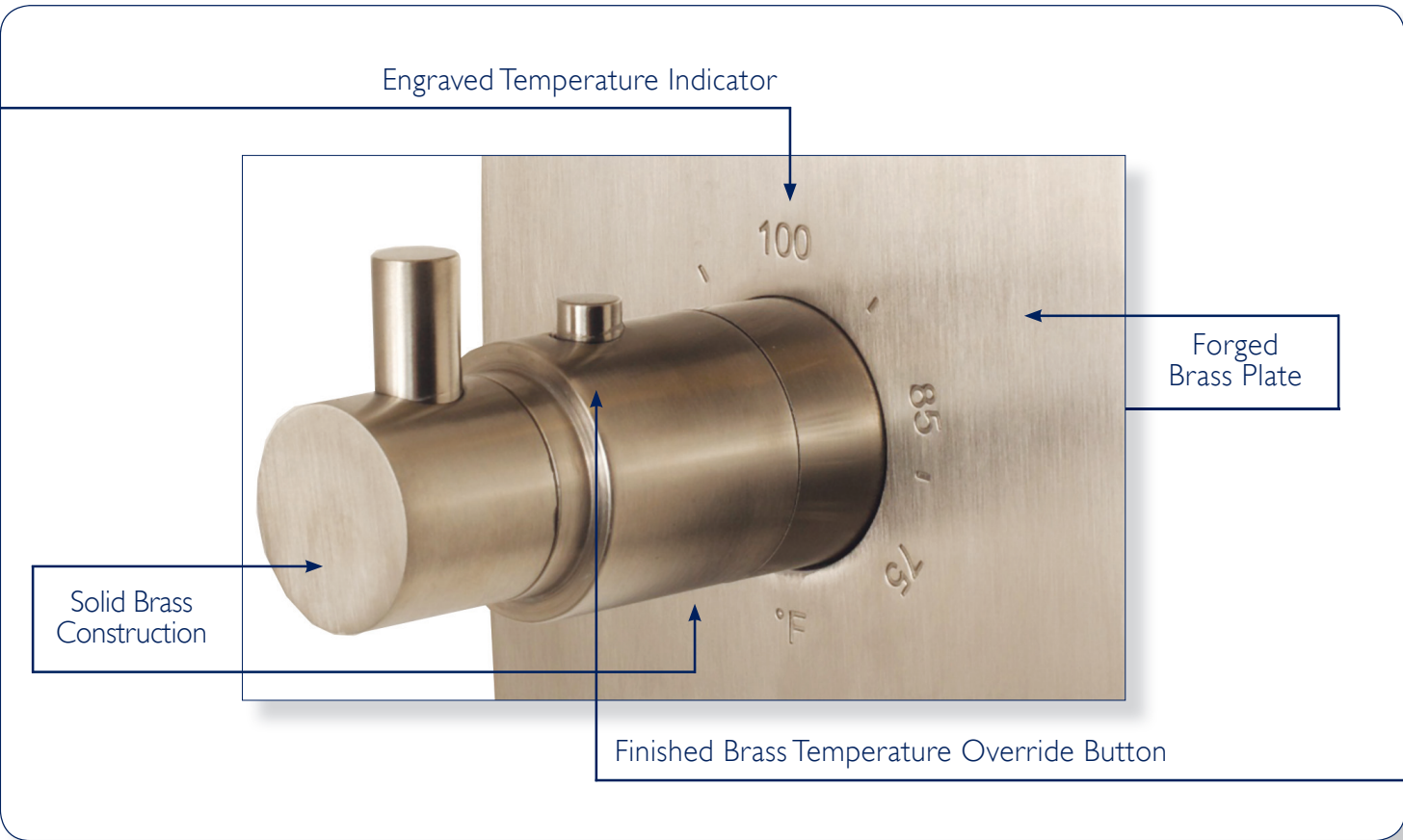


LUXTHERM® ½" THERMOSTATIC SHOWER SYSTEMS



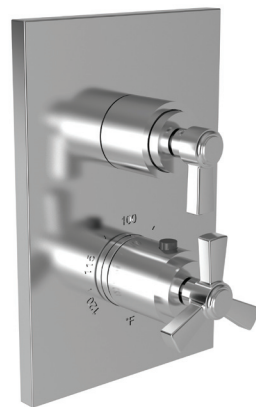
Choose From a Multitude of Design Styles Including...



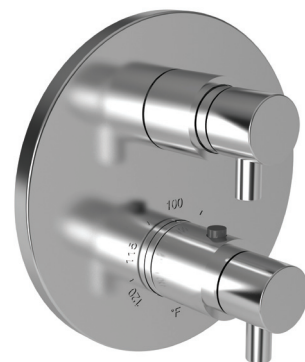
Metropole
#3-1203TS



Victoria
#3-1763TR



Miro
#3-1603TS



East Linear
#3-1503TR

Refer to newportbrass.com for the complete selection

NEWPORT BRASS
Flawless Beauty. From Faucet to Finish.™

NEW PRODUCT
ANNOUNCEMENT

LUXTHERM® ½" THERMOSTATIC SHOWER SYSTEMS

Newport Brass is proud to introduce new ½" Thermostatic Shower Systems that deliver luxury performance, independent volume control, and state-of-the-art safety features.



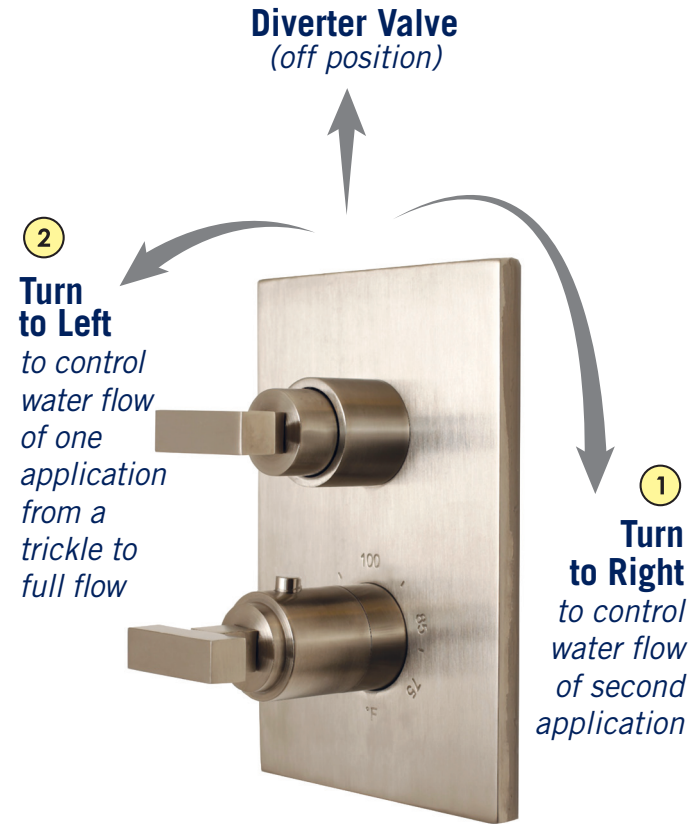
- Thermostatic temperature control valve enables effortless temperature accuracy.
- Maximum temperature override button for convenience and safety.
- Valve technology protects against sudden changes in temperature or water pressure.
- Integrated volume control diverter allows for directed, variable water flow.
- Operate multiple devices simultaneously including showerheads, handheld showers, body sprays, tub spouts and a variety of other applications (I-743 valve).
- Provides up to 8.75 gallons per minute (GPM) at 45 psi (I-742 valve).
- Trim sets to match all Newport Brass collections including traditional, transitional and contemporary design styles.

www.newportbrass.com

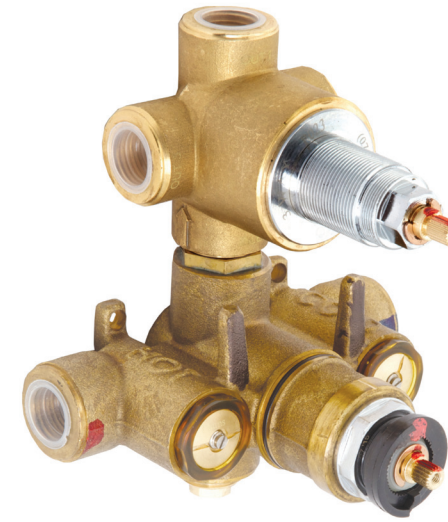
1-742 ½" THERMOSTATIC VALVE



- Two port rough-in valve with integrated transfer valve.
- Built in check valves with service stops.
- Meets ASSE Standard 1016 and is IAPMO and CSA listed.
- CalGreen compliant.
- Flow rate of 8.75 gallons per minute at 45 psi.



1-743 ½" THERMOSTATIC VALVE



- Three port rough-in valve with integrated transfer valve that allows shared functions on ports 1 & 2.
- Built in check valves with service stops.
- Meets ASSE Standard 1016 and is IAPMO and CSA listed.
- Flow rate of 7.75 gallons per minute at 45 psi.

